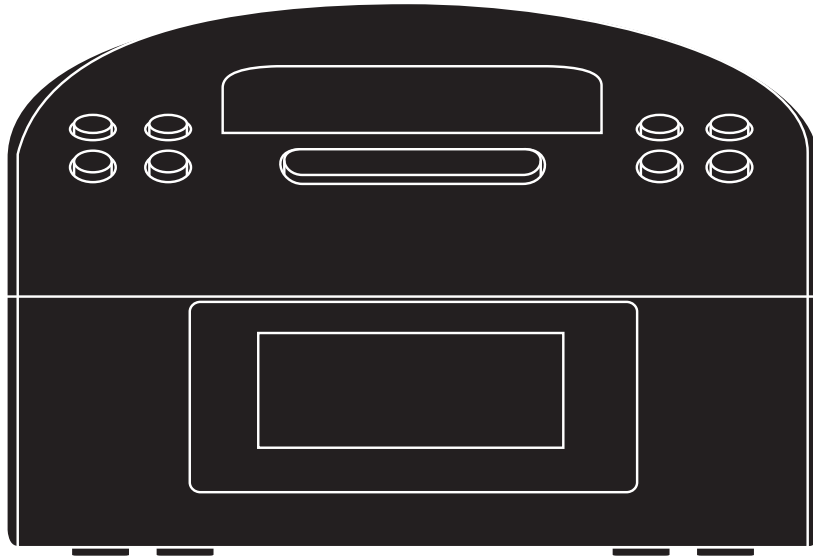


Technika

EXCLUSIVELY FROM **TESCO**



CECR-10

Owner's
Handbook

Clock radio with USB and SD

IMPORTANT SAFETY INFORMATION



This symbol indicates that there are important operating and maintenance instructions in the literature accompanying this unit.



This symbol indicates that dangerous voltage constituting a risk of electric shock is present within this unit.

Read these instructions.

Keep these instructions.

Heed all warnings.

Follow all instructions.

Do not use this apparatus near water.

Clean only with a slightly damp cloth.

Do not block any ventilation openings.

Install in accordance with the manufacturer's instructions.

Do not install or operate near any heat sources such as radiators, stoves, or other apparatus that produce heat.

Unplug this apparatus during lightning storms or when unused for long periods of time.

Refer all servicing to qualified service personnel. Servicing is required when the apparatus has been damaged in any way, such as the power-supply cord or plug is damaged, liquid has been spilled or objects have fallen into the apparatus, the apparatus has been exposed to rain or moisture, does not operate normally, or has been dropped.

Warning: To reduce the risk of fire or electrical shock, do not expose this product to rain or moisture. The product must not be exposed to dripping and splashing and no object filled with liquids such as a vase of flowers should be placed on the product.

No naked flame sources such as candles should be placed on the product.

Caution: Changes or modifications not expressly approved by the manufacturer could void the user's authority to operate this device.

Caution: Usage of controls or adjustments or performance of procedures other than those specified herein may result in hazardous exposure.

IMPORTANT

This equipment generates, uses and can radiate radio frequency energy and, if not installed and used in accordance with the instructions, may cause harmful interference to radio communication. However, this is no guarantee that interference will not occur in a particular installation. If this equipment does cause harmful interference to radio or television reception, which can be determined by turning the equipment off and on, the user is encouraged to try to correct the interference by one of the following measures:

- Reorient or relocate the receiving antenna.
- Increase the separation between the equipment and receiver.
- Connect the equipment into an outlet on a circuit different from that to which the receiver is connected.
- Consult the dealer or an experienced radio/TV technician for help.

ELECTRICAL INFORMATION

Use this appliance only with the supplied AC Adaptor. Using non-approved power supplies will void the warranty.

Mains Supply: The mains operating voltage of the AC Adaptor is marked on a rating plate on the AC Adaptor.

The means of disconnecting this appliance from the mains supply is the AC adaptor. This should be unobstructed and readily operable at all times.

INDEX

INDEX

Important safety information	1
Introduction	2
Unpacking	2
Controls & Connections.....	3
Fitting batteries	4
Display features	4
Getting started	5
Battery operation	5
Power control	5
Setting the clock.....	5
Selecting a source.....	6
Adjusting the volume	6
Listening to FM radio.....	7
Radio presets	7
Playing MP3/WMA files.....	8
Playing Aux sources	9
Sleep function	9
Using the alarms.....	10
Care & Maintenance.....	12
Troubleshooting	12
Specifications	12
Warranty	12

INTRODUCTION

The CECR-10 is a full-function mains/battery clock radio with alarm and a dock for USB drives and SD cards.

PRELIMINARIES

UNPACKING

Carefully unpack the unit. If it is damaged, please return it to your nearest Tesco store for replacement. Remember to take your purchase receipt with you.

Retain the User Handbook. If you pass the unit on to a third party make sure you pass on the handbook.

We suggest you retain the packaging. If you dispose of it, do so having regard to any recycling regulations in your area.

CONTENTS

The carton should contain:

- The CECR-10 clock radio
- AC adaptor
- Operating Manual

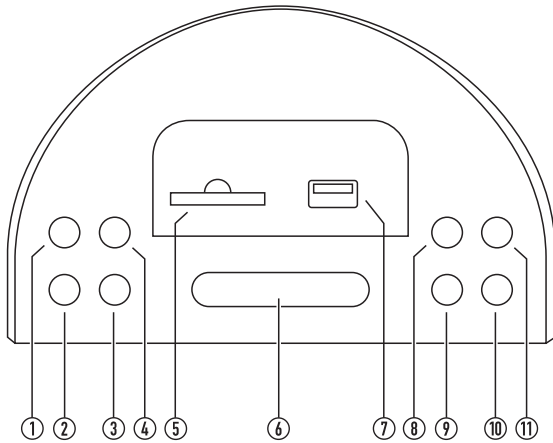
If any items are missing or damaged, contact your nearest TESCO store for a replacement. Have your receipt ready when you call. Retain the packaging. If you dispose of it, do so having regard to any recycling regulations in your area.

LOCATION

Place the unit on dry stable surface away from heat and damp and where it is unlikely to fall or be knocked over.

CONTROLS & CONNECTIONS

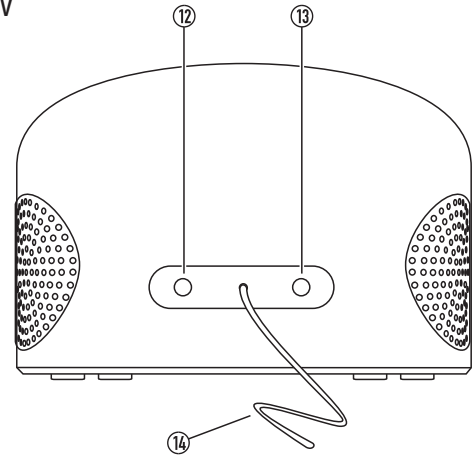
TOP VIEW



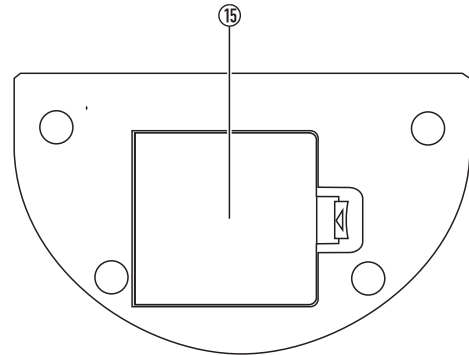
- ① Power/function button
- ② Play/pause button
- ③ Set button
- ④ Preset browse
Preset store (hold)
- ⑤ Memory card slot
- ⑥ Snooze/Sleep button
- ⑦ USB drive slot

- ⑧ Skip back/Time down button
- ⑨ Volume down button
- ⑩ Volume up button
- ⑪ Skip forward/Time up button
- ⑫ Aux In jack
- ⑬ DC In jack
- ⑭ FM aerial wire
- ⑮ Battery compartment

BACK VIEW



UNDERSIDE VIEW



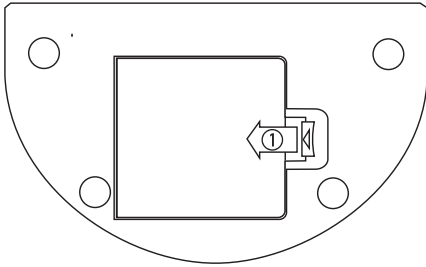
FITTING BATTERIES

BATTERY POWER

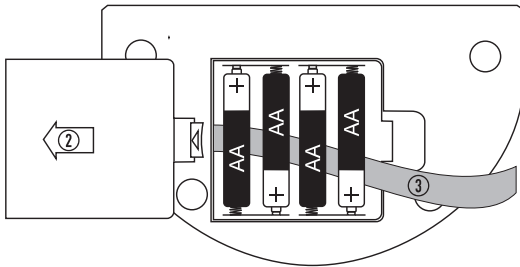
Your clock radio can be powered by mains via the AC adaptor or batteries (optional). Batteries should always be fitted as a complete set of new batteries. Never mix old and new batteries.

Fitting or replacing batteries:

1. Pressing the catch on the battery compartment cover in the direction shown.



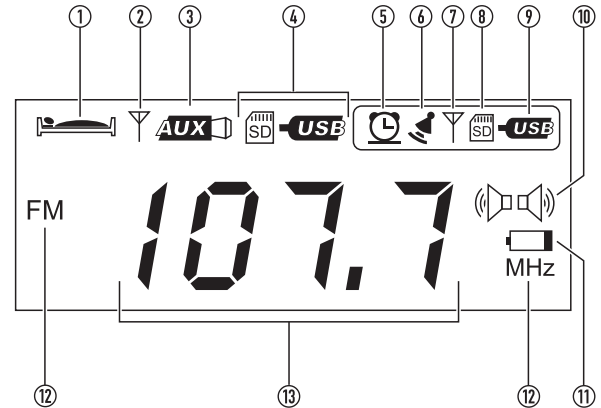
2. Whilst holding the catch across, lift the cover off the battery compartment.
3. Lay the ribbon across the battery compartment as shown (this will help when removing the batteries at a later date).



4. Fit 4 x AA batteries into the positions shown, observing polarity.
5. Tuck the end of the ribbon into the battery compartment.
6. Re-fit the cover.

DISPLAY FEATURES

DISPLAY LAYOUT



- | | |
|-------------------------|-------------------------|
| ① Sleep mode | ⑧ Alarm mode - SD card |
| ② FM radio mode | ⑨ Alarm mode - USB |
| ③ AUX in mode | ⑩ FM stereo |
| ④ SD card/USB mode | ⑪ Low battery indicator |
| ⑤ Alarm set indicator | ⑫ FM mode indicators |
| ⑥ Alarm mode - Bell | ⑬ Numeric display |
| ⑦ Alarm mode - FM radio | |

GETTING STARTED

FM AERIAL

Before using your clock radio for FM reception, unwrap and fully extend the aerial wire. You may need to adjust the position of the aerial wire for maximum signal strength.

CONNECTING AC MAINS POWER

Before connecting the power, check that the mains voltage on the rating plate of the AC adaptor is the same as the voltage in your area.

- Plug the DC cord from the AC adaptor into the DC jack on the back of the unit.
- Plug the AC adaptor into the wall socket and switch the mains power on.

The unit is now ready for use.

NOTE:- The AC adaptor may become warm during operation - this is normal.

BATTERY OPERATION

Your radio can also be powered from batteries.

When fitted, batteries will also provide backup to power the clock and alarm in the event of a power cut.

For battery fitting instructions, refer to the section 'Fitting Batteries' on the previous page.

Low battery warning

Your radio includes a warning symbol that flashes to indicate when battery level is low. If you are using battery power and the battery warning appears, change the batteries immediately.



Low battery indicator

BATTERY DISPOSAL

Dispose of used batteries with regard to the recycling regulations in your area. Do NOT short circuit batteries or throw them into water, the general rubbish or in a fire.

Weak batteries can leak and damage the unit. Replace them in good time!

POWER CONTROL

STANDBY CONTROL

To turn the radio on:

- Press the **POWER/FUNC.** button on the top panel.
The display will light and the radio will switch on.

To set the radio to Standby:

- Press and **hold** the **POWER/FUNC.** button on the top panel.
The radio will set to Standby. The clock will be displayed.

SETTING THE CLOCK

When first switched on, the clock display on your radio will flash 'zeros' until the clock has been set. If you find the clock display reverts to this display at any time, it is possible that there has been a power cut and the clock will need re-setting.

To set the clock:

With the radio set to Standby -

- Press and **hold** the **SET** button.
The hours digit will flash.
- Press the **SKIP-/TIME-** or **SKIP+/TIME+** button to set the correct hour (24 hour clock).
- Press the **SET** button to confirm this setting.
The minutes digits will flash.
- Press the **SKIP-/TIME-** or **SKIP+/TIME+** button to set the correct minutes.
- Press the **SET** button to confirm this setting.

The clock is now set.

SELECTING A SOURCE

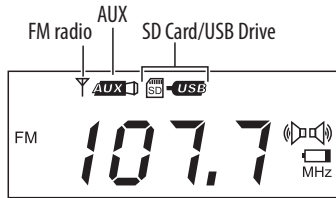
SOUND SOURCES

You can choose to listen to the following sources -

- FM radio
- Music files stored on an SD card or USB drive
- Aux source (when connected via the rear panel AUX IN jack).

Selecting a source:

- Press the **POWER/FUNC.** button on the top panel repeatedly to scroll through the available sources.



ADJUSTING THE VOLUME

To increase the volume:

- Press the **VOL +** button on the top of the unit.

To decrease the volume:

- Press the **VOL -** button on the top of the unit.

When the volume is adjusted, the display will change to show the current volume level setting on a scale of 00 (minimum) to 30 (maximum).



LISTENING TO FM RADIO

To listen to FM radio:

- Press the **POWER/FUNC.** button repeatedly to select FM mode.

The radio will play and the display will show the tuned frequency.

To auto-tune to FM stations

- Press and **hold** the **SKIP+/TIME+** or **SKIP-/TIME-** button to auto-tune up or down the band.

The radio will search in the direction indicated and the tuning frequency will be displayed whilst searching.

When a usable station is detected the radio will stop tuning and play the station.

To manually tune to FM stations

- Press the **SKIP+/TIME+** or **SKIP-/TIME-** button **briefly** to tune the band in 50kHz steps.

STEREO/MONO RECEPTION

When receiving a strong, good quality, FM stereo signal your radio will switch automatically to stereo reception.

The FM stereo symbol will be displayed.

When receiving weaker or FM mono signals, your radio will switch to mono reception.

The FM stereo symbol will not be displayed.

STATION PRESETS

DAB and FM presets

Your radio can store up to 20 of your favourite stations as presets for quick recall.

To store a station as a preset

- Tune to the station you want to store as a preset.
- Press and **hold** the **MEM/SELECT** button.

The Preset Store display will appear (P- followed by a flashing number).



In this example, the radio is ready to store preset number 3.

- Press the **SKIP+/TIME+** or **SKIP-/TIME-** button if you want to choose a different preset number to store the station.
- To store the preset, press the **MEM/SELECT** button.

NOTE: If a preset is not stored within 5 seconds, the radio will revert to normal operation.

To recall any preset 1-10

- Press the **MEM/SELECT** button repeatedly to step through the preset stations stored.

PLAYING MP3/WMA MUSIC FILES FROM AN SD CARD OR USB DRIVE

You can also play MP3 or WMA music files from an SD Card or USB drive that is docked into the docking connector on the top panel.

File organisation:

Files should all be of MP3 or WMA format, and may either be stored in folders (by album) or in the 'root' directory of the drive.

If the files are stored in folders, the unit will play the tracks in each folder in turn.

Repeat:

When all tracks have been played, the player will automatically begin to play again from the first track.

Selecting SD Card/USB operation:

- Press the **POWER/FUNC.** button repeatedly to select 'SD Card/USB' mode.

Docking a USB drive:

- Insert the SD Card or USB drive into the correct docking connector on the top panel.

NOTE: The connectors are polarised so a card/drive will not insert if the polarity is incorrect.

After a short delay, the SD or USB indicator will show on the display, and the unit will start to play any music files found. The elapsed play time of the track will show on the display.

Pausing play:

- Press the **▶/||** button while the disc is playing to pause music playback.

The time display will flash.

- Press again to re-start play.

Selecting tracks:

- Press the **▶▶** or **◀◀** button to select the next or previous track.

Fast search:

- Press and **hold** the **▶▶** or **◀◀** button to fast search forward or backward through a track.

The track will search at high speed.

- Release the button to resume normal play.

AUX SOURCES

The AUX IN jack may be used to connect sound sources with a Line or Headphone analogue output to play through your unit. These may include -

- MP3 players
- CD walkman players
- Tape walkman players
- Personal computers or laptops

Connecting to the AUX IN jack

- Connect a stereo 3.5mm jack cable (not supplied) between the headphone or LINE/AUX output of the personal audio player and the AUX IN jack on the back panel.

Playing the AUX source

- Press the **POWER/FUNC.** button repeatedly to select AUX mode.

The AUX symbol will be displayed.

- Set your personal audio player/computer to PLAY.
- Set the listening volume to the level you want with the volume controls on the radio or remote control.

If there is no sound or if the volume level is not loud enough, you may need to increase the volume setting on your personal audio player/computer.

SLEEP FUNCTION

SLEEP TIMER

You can set the Sleep timer to play music for a set period while you are falling asleep.

To set the sleep timer:

- Play your choice of music.
- Press the **SNOOZE/SLEEP** button repeatedly to cycle through the sleep time options from 90 minutes to 10 minutes in 10 minute intervals. Pressing once more beyond the 10 minute setting will cancel Sleep mode.

When Sleep mode is set the Sleep indicator will be displayed and the music will continue to play for the time you selected.

The unit will then set to Standby.

Sleep indicator



Cancelling sleep mode:

- If you want to cancel sleep mode during a sleep period, press the **SLEEP** button.

The Sleep indicator will switch off.

USING THE ALARM

You can set the alarm to wake you at your preferred time and choose to wake up to the sound of radio, music from an SD Card/USB drive or a buzzer.

Setting the alarm time:

- Set the radio to Standby.
 - Press the **SET** button **briefly**.
- The alarm symbol and alarm time will be displayed.*
- While the alarm time is displayed, press and **hold** the **SET** button.

The hours digit will flash.

- Press the **SKIP-/TIME-** or **SKIP+/TIME+** button to set the correct alarm hour (24 hour clock).
- Press the **SET** button to confirm this setting.

The minutes digits will flash.

- Press the **SKIP-/TIME-** or **SKIP+/TIME+** button to set the correct alarm minutes.
- Press the **SET** button to confirm this setting.

The alarm time is now set.

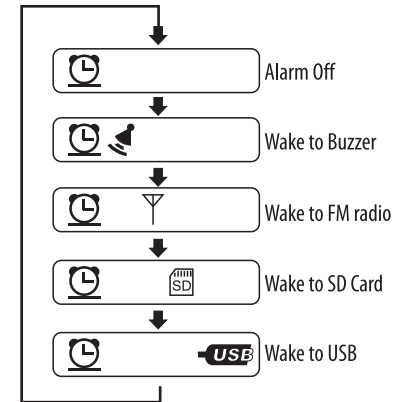
Checking the alarm time:

- Set the radio to Standby.
- Press the **SET** button.

The alarm time will be displayed briefly.

Setting the alarm to wake you:

- Set the radio to Standby.
- Press the **SET** button repeatedly to scroll through the wake-up options on the display -



If you choose the Alarm Off option, the alarm mode indication will fade from the display within a few seconds. If the alarm is set to wake you, the alarm indicator will be displayed with your choice of wake-up mode.

USING THE ALARM

IMPORTANT NOTES:

- Remember to set the unit to Standby and set a high enough volume to wake you before going to bed.
- If you have chosen FM radio as wake-up mode, remember to tune to a station before going to bed.
- If you have chosen SD Card or USB as wake-up mode, remember to dock a card/drive before going to bed. If you forget to dock a card/drive and the alarm is set, the unit will automatically wake you with a buzzer.

WHEN THE ALARM WAKES YOU

The alarm will sound at your preset time and the Alarm Mode display will flash. You can then choose to set snooze, which will temporarily reset the alarm for a further 9 minutes, or to switch it off.

To set snooze:

- To set snooze, press the **SNOOZE/SLEEP** button when the alarm sounds.

The alarm will stop sounding and the alarm mode indicator will flash. After 9 minutes, the alarm will sound again.

To switch off the alarm:

- To switch off the alarm, press the **POWER/FUNC.** button.

The unit will set to Standby.

ALARM REPEAT

The alarm will sound at the same time each day unless the alarm mode is set to Alarm Off.

POWER FAILURE

In the event of a power failure when the unit is operating from mains power, all alarm settings will be lost unless a set of batteries have been fitted.

BATTERY POWER

If the unit is battery powered and you are setting the alarm to wake you, check for the battery warning symbol to ensure there is adequate battery life remaining before going to bed.

CARE AND MAINTENANCE

CARE AND CLEANING

All care and cleaning operations should be carried out with the unit unplugged from the mains power.

The surface of the unit can be cleaned with a barely damp cloth and then dried carefully. Never use abrasives, abrasive cloths or chemical solvents.

TROUBLESHOOTING

Poor quality radio reception

The aerial signal may not be adequate. Try repositioning the aerial wire or moving the unit to a different location.

Alarm not sounding

Check that you have set the correct alarm time, and set the alarm to wake you (alarm symbol and wake-up mode symbol are displayed). Check also that the unit is set to Standby before you go to bed.

Alarm sound not audible or too loud:

Make sure that the volume is set to the correct level before going to bed.

No sound/low volume from AUX source:

Check that the volume control is turned up on the AUX source.

WARRANTY & SPECIFICATIONS

SPECIFICATIONS

Supply Voltage: 6 V --- , 900mA

AC Adaptor input: 100-240V \sim , 50/60Hz, 400mA

AC Adaptor output: 6V --- , 900mA

Frequency range: 87.5-108MHz

Net Weight: 0.37kg



UK: Waste electrical products/batteries should not be disposed of with household waste. Separate disposal facilities exist, for your nearest facilities see www.recycle-more.co.uk or in-store for details.

ROI: Produced after 13th August 2005. Waste electrical products/batteries should not be disposed of with household waste. Please recycle where facilities exist. Check with your Local Authority or retailer for recycling advice.

WARRANTY

Your Tesco appliance is covered by a warranty for 12 months from the date of purchase. If a fault develops during this period, please contact the TESCO electrical help line on 0845 456 6767. Please have your original purchase receipt with you when you call. This warranty in no way affects your consumer rights.

Technika

Tesco Stores Ltd,
Delamare Road, Cheshunt, Herts, EN8 9SL

► **Technika Helpline: 0845 456 6767** (Calls cost up to 4p per minute from a BT landline, other providers may vary)

CECR10 V0.1

Free Manuals Download Website

<http://myh66.com>

<http://usermanuals.us>

<http://www.somanuals.com>

<http://www.4manuals.cc>

<http://www.manual-lib.com>

<http://www.404manual.com>

<http://www.luxmanual.com>

<http://aubethermostatmanual.com>

Golf course search by state

<http://golfingnear.com>

Email search by domain

<http://emailbydomain.com>

Auto manuals search

<http://auto.somanuals.com>

TV manuals search

<http://tv.somanuals.com>