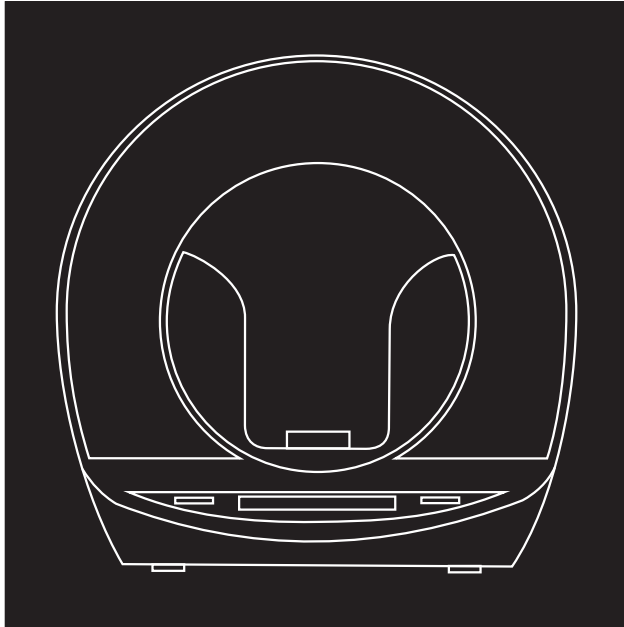


# Technika

EXCLUSIVELY FROM **TESCO**



SP112iPH

## Owner's Handbook

Docking station for iPhone and iPod touch

Download from [www.Somanuals.com](http://www.Somanuals.com). All Manuals Search And Download.





## IMPORTANT SAFETY INFORMATION



This symbol indicates that there are important operating and maintenance instructions in the literature accompanying this unit.



This symbol indicates that dangerous voltage constituting a risk of electric shock is present within this unit.

Read these instructions.

Keep these instructions.

Heed all warnings.

Follow all instructions.

Do not use this apparatus near water.

Clean only with a slightly damp cloth.

Do not block any ventilation openings.

Install in accordance with the manufacturer's instructions.

Do not install or operate near any heat sources such as radiators, stoves, or other apparatus that produce heat.

Unplug this apparatus during lightning storms or when unused for long periods of time.

Refer all servicing to qualified service personnel. Servicing is required when the apparatus has been damaged in any way, such as the power-supply cord or plug is damaged, liquid has

been spilled or objects have fallen into the apparatus, the apparatus has been exposed to rain or moisture, does not operate normally, or has been dropped.

**Warning:** To reduce the risk of fire or electrical shock, do not expose this product to rain or moisture. The product must not be exposed to dripping and splashing and no object filled with liquids such as a vase of flowers should be placed on the product.

No naked flame sources such as candles should be placed on the product.

**Caution:** Changes or modifications not expressly approved by the manufacturer could void the user's authority to operate this device.

**Caution:** Usage of controls or adjustments or performance of procedures other than those specified herein may result in hazardous exposure.

### IMPORTANT

This equipment generates, uses and can radiate radio frequency energy and, if not installed and used in accordance with the instructions, may cause harmful interference to radio communication. However, this is no guarantee that interference will not occur in a particular installation. If this equipment does cause harmful interference to radio or television reception, which can be determined by turning the equipment off and on, the user is encouraged to try to correct the interference by one of the following measures:

- Reorient or relocate the receiving antenna.
- Increase the separation between the equipment and receiver.

- Connect the equipment into an outlet on a circuit different from that to which the receiver is connected.
- Consult the dealer or an experienced radio/TV technician for help.

### ELECTRICAL INFORMATION

Use this appliance only with the supplied AC Adaptor. Using non-approved power supplies will void the warranty.

**Mains Supply:** The mains operating voltage of the AC Adaptor is marked on a rating plate on the AC Adaptor.

The means of disconnecting this appliance from the mains supply is the AC adaptor. This should be unobstructed and readily operable at all times.



"Made for iPod/iPhone" means that an electronic accessory has been designed to connect specifically to iPod or iPhone and has been certified by the developer to meet Apple performance standards. Apple is not responsible for the operation of this device or its compliance with safety and regulatory standards.

## INDEX

### INDEX

Important safety information.....	1
Introduction .....	2
Unpacking .....	2
Controls and connections.....	3
Backup batteries.....	4
Getting started .....	4
Display features .....	5
Power control .....	5
Source selection.....	5
Adjusting the volume .....	5
Listening to FM radio.....	6
Station presets.....	6
Docking an iPhone.....	7
Playing an iPhone.....	8
Connecting to the Aux In jack .....	8
Using the alarms.....	9
Advanced operation.....	11
Sleep function .....	13
Troubleshooting .....	13
Care & Maintenance.....	13
Warranty .....	13
Specifications .....	13

## INTRODUCTION

The SP112iPH is a stylish docking station for the iPhone and iPod touch. The centre docking section rotates, enabling a choice of portrait or 'wide-screen' landscape presentation for movies, games and photos on a docked iPhone or iPod touch.

The docking station also includes FM radio and a wake-up alarm. Special features of the SP112iPH enable it to share information with a docked iPhone or iPod touch (requires installation of a free Technika application on the iPhone/iPod touch).

An Aux input provides additional connectivity for other iPod models and other personal audio equipment.

### COMPATIBILITY

The SP112iPH rotating dock is recommended for use with iPhone or iPod touch models. In the text of this user guide, 'iPhone' refers to both iPhone and iPod touch models.

Other models of iPod may be connected by cable to the Aux In jack on the back panel. In this case the iPod controls are used to select tracks etc.

## PRELIMINARIES

### UNPACKING

Carefully unpack the unit. If it is damaged, please return it to your nearest Tesco store for replacement. Remember to take your purchase receipt with you.

Retain the User Handbook. If you pass the unit on to a third party make sure you pass on the handbook.

We suggest you retain the packaging. If you dispose of it, do so having regard to any recycling regulations in your area.

### CONTENTS

The carton should contain:

- The SP112iPH iPhone/iPod touch docking station
- AC adaptor
- Operating Manual

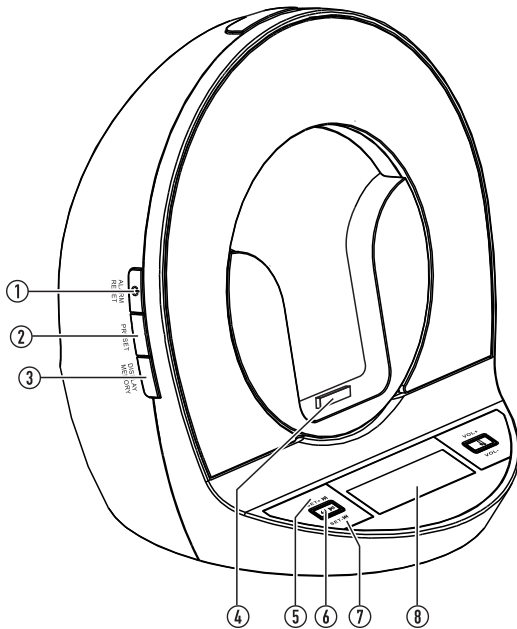
If any items are missing or damaged, contact your nearest TESCO store for a replacement. Have your receipt ready when you call. Retain the packaging. If you dispose of it, do so having regard to any recycling regulations in your area.

### LOCATION

Place the unit on dry stable surface away from heat and damp and where it is unlikely to fall or be knocked over.

# CONTROLS AND CONNECTIONS

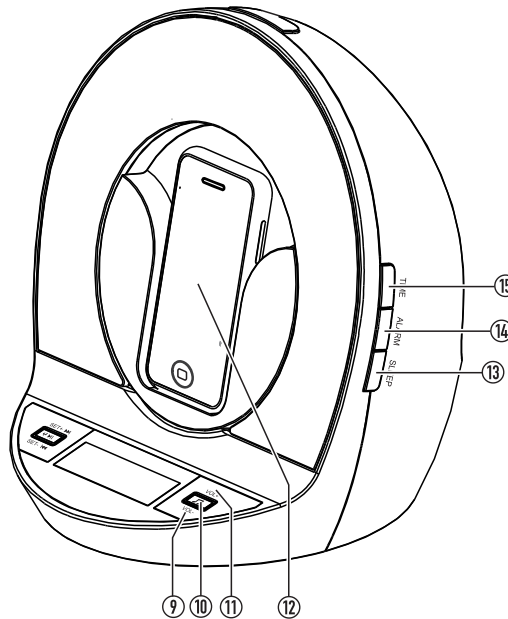
LEFT VIEW



- ① Standby/On/Alarm reset button
- ② Preset button
- ③ Display/memory button
- ④ iPhone dock connector
- ⑤ Next/Set+ button

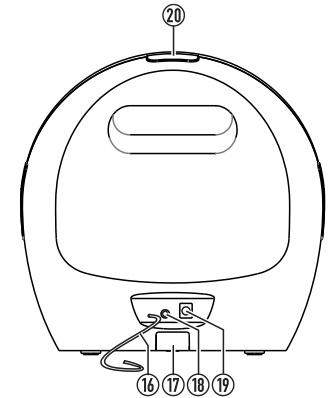
- ⑥ Play/Pause/Select button
- ⑦ Previous/Set- button
- ⑧ Display
- ⑨ Volume down button
- ⑩ Source select button

RIGHT VIEW



- ⑪ Volume up button
- ⑫ Rotating dock (shown with iPhone\* docked)
- ⑬ Sleep button
- ⑭ Alarm button
- ⑮ Time button

BACK VIEW



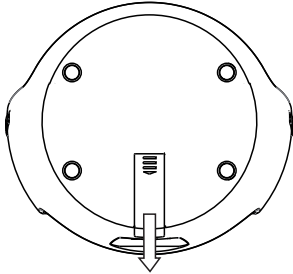
- ⑬ Aerial wire
- ⑰ Battery cover
- ⑱ Aux In jack
- ⑲ DC In jack
- ⑳ Snooze/Dimmer button

\* iPhone not included.

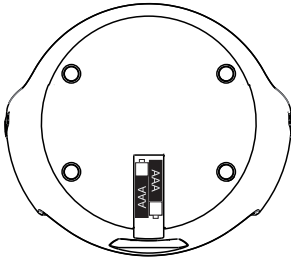
## BACKUP BATTERIES

### To fit backup batteries:

- Locate the backup battery compartment, underneath the base of the unit.
- Slide off the battery cover.



- Fit 2 x AAA batteries, observing polarity. When replacing the batteries, use only the same AAA type specified.



- Replace the battery cover.

The backup batteries will ensure that the clock retains the current time and alarm settings in the event of a power cut.

**NOTE:-** The backup batteries are only for backup purposes and will not power the unit.

### DISPOSAL OF BATTERIES

Dispose of used batteries with regard to the recycling regulations in your area. Do NOT short circuit batteries or throw them into water, the general rubbish or in a fire.

Weak batteries can leak and damage the docking station. Replace them in good time!

## GETTING STARTED

### CONNECTING POWER

Before connecting the power, check that the mains voltage on the rating plate of the AC adaptor is the same as the voltage in your area.

- Plug the DC cord from the AC adaptor into the DC In jack on the back of the unit.
- Plug the AC adaptor into the wall socket and switch the mains power on.

*The unit is now ready for use.*

**NOTE:-** The AC adaptor may become warm during operation - this is normal.

### SETTING THE CLOCK

When the unit is switched on for the first time, the clock display will read 0:00.

#### To set the clock -

- Press the **TIME** button.

*The hours digits will flash.*

- Press the **SET+ / ►►** or **SET- / ◄◄** button to set the hours digits to the correct time.

- Press the **►||** button when the hours setting is correct.

*The minutes digits will flash.*

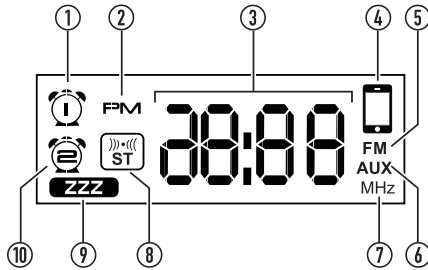
- Press the **SET+ / ►►** or **SET- / ◄◄** button to set the minutes to the correct time.

- Press the **►||** button when the minutes setting is complete.

The time is now set.

If backup batteries have been fitted, the correct time will be maintained when the AC power is disconnected.

## DISPLAY FEATURES



1. Alarm 1 indicator
2. P.M. indicator
3. Number display
4. iPhone function indicator
5. FM function indicator
6. AUX function indicator
7. MHz indicator (for FM radio)
8. FM stereo indicator
9. Sleep indicator
10. Alarm 2 indicator

## POWER CONTROL

### STANDBY CONTROL

#### To turn the docking station on:

- Press the /ALARM RESET button briefly.

*The unit will switch on and the iPhone, FM or Aux indicator will light to show which source is selected.*

#### To set the docking station to Standby:

- Press the /ALARM RESET button.

*The unit will switch off.*

## DISPLAY DIMMER

The docking station includes a display dimmer. When operated, this will switch off the display.

#### To switch off the display:

- Press the **SNOOZE/DIMMER** button.

*The display will switch off.*

#### To switch the display back on:

- Press the **SNOOZE/DIMMER** button.

*The display will switch on.*

## SELECTING A SOURCE

### SOUND SOURCES

You can choose to listen to the following sources -

- FM radio
- iPhone (when docked)
- Aux source (when connected via the rear panel Aux In jack).

#### Selecting a source:

- Press the button repeatedly to scroll through the available sources.

*The symbol for the selected source will light on the display.*

## ADJUSTING THE VOLUME

#### To increase the volume:

- Press the **VOL +** button.

#### To decrease the volume:

- Press the **VOL -** button.

*When the volume is adjusted, the display will change to show the current volume level setting on a scale of 00 (minimum) to 30 (maximum).*

## LISTENING TO FM RADIO

### To listen to FM radio:

- Press the **FM** button repeatedly to select FM mode.

*The 'FM' mode indicator will light, the radio will play and the display will show the tuned frequency.*

*After a few seconds, the display will revert to show the time unless you change any FM settings, for example, re-tuning.*

### To auto-tune to FM stations

- Press and **hold** the **SET+/▶▶** or **SET-/◀◀** button to auto-tune up or down the band.

*The radio will search in the direction indicated and the tuning frequency will be displayed whilst searching.*

*When a usable station is detected the radio will stop tuning and play the station.*

### To manually tune to FM stations

- Press the **SET+/▶▶** or **SET-/◀◀** button **briefly** to tune the band manually in 0.1MHz steps.

## STATION PRESETS

### Radio presets

Your radio can store up to 20 of your favourite stations as presets for quick recall.

### To store a station as a preset

- Tune to the station you want to store as a preset.
- Press and **hold** the **DISPLAY/MEMORY** button.

*The Preset Store display will appear (P- followed by a flashing number).*

- Press the **SET+/▶▶** or **SET-/◀◀** button if you want to choose a different preset number to store the station.
- To store the preset, press the **DISPLAY/MEMORY** button.

NOTE: If a preset is not stored within 5 seconds, the radio will revert to normal operation.

### To recall any preset 1-20

- Press the **PRESET** button repeatedly to step up through the preset stations stored.

*When you stop browsing through the presets, the display will change briefly to show the station frequency before returning to display the time.*



## DOCKING AN iPhone

### COMPATIBILITY

The dock connector on this unit is only compatible with iPhone and iPod touch models.

All other iPod models should be connected via the AUX cable.

Attempting to dock other iPod models may damage the dock and also the iPod.

### To dock an iPhone:

- Locate the connector on the underside of the iPhone onto the docking connector.
- Push the iPhone down to ensure it is fully engaged on the dock connector.

### To remove an iPhone:

- Grip the sides of the iPhone and gently pull it upward, off the docking connector.
- Lift the iPhone out of the rotating dock.

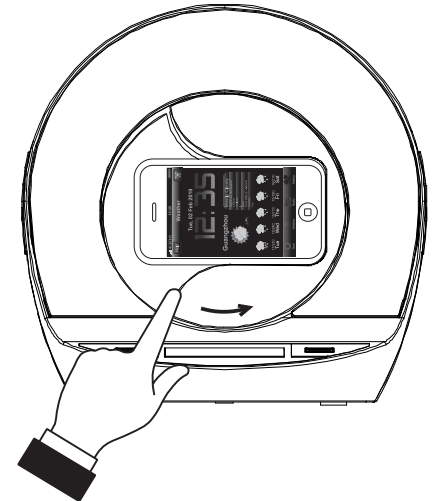
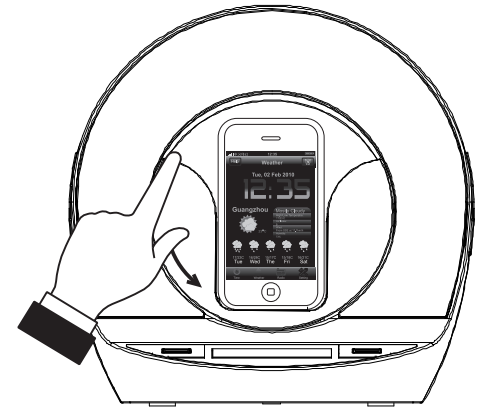
## USING THE ROTATING DOCK

The dock connector rotates to enable you to view movie, photo or other video content on your iPhone in 'widescreen' mode.

### To rotate the dock:

- Press the left side of the dock gently as shown to turn the dock through 90 degrees to 'landscape' orientation.
- Pressing the opposite side of the dock will rotate the dock back to 'portrait' orientation.

*The accelerometer in the iPhone will automatically change the format of the video display as the dock is rotated.*

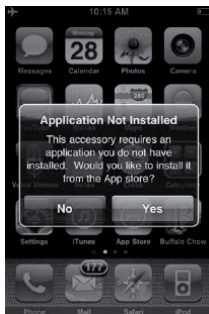


## PLAYING AN iPhone

### To play a docked iPhone:

- Press the **⏮** button repeatedly to select iPhone mode.
- Dock the iPhone
- Unlock the iPhone if necessary.

*For first time use the message 'Application Not Installed' will be displayed on the iPhone screen.*



The Technika application is necessary to enable advanced features of the unit.

For more details of the advanced features enabled with the application installed, refer to the Advanced Operation' section on page 10.

- If you want to download the application from iTunes, touch 'Yes' and follow the prompts on the iPhone screen.
- If you want to download the application later, touch 'No' on the iPhone screen.

### Playing music:

- Select iPod operation from the iPhone menu.
- Navigate to your choice of music.

Once an iPhone is docked and playing, you can operate some of the functions from the front panel controls.

### Playback functions:

- Press the **▶||** button to toggle between Play and Pause mode at any time.
- Press the **SET+ / ▶▶** or **SET- / ◀◀** button to select the next or previous track on your iPhone.

### CHARGING AN iPhone

An iPhone will charge when it is docked and the docking station is set to Standby.

## CONNECTING TO THE AUX JACK

A cable is supplied to connect other sources with Line out or Headphone jacks to the AUX input of your docking station. These sources could include -

- iPod models other than iPhone or iPod touch.
- Other types of MP3 personal audio players.
- Personal CD players.

### To connect a source via the AUX cable:

- Connect one end of the AUX cable (not supplied) to the Line out or Headphone jack of the player.
- Connect the other end of the cable to the AUX-in jack located on the back panel of the Docking Station.

### Playing the Aux source:

- Press the **⏮** button repeatedly to select AUX mode.
- Set the Aux source (iPod etc) to play and turn up the volume on the source.
- Set the volume on the docking station to the level you want.

NOTE: If the volume is too low, set the volume control on the source to a higher level.

## USING THE ALARMS

Your docking station has two alarms (Alarm 1 and Alarm 2). You can set either or both alarms to wake you at your preferred time and choose to wake up to the sound of radio, music from an iPhone or a buzzer.

### Setting the Alarm 1 alarm time:

- If an iPhone is docked with the Technika application running, remove it whilst setting the alarms.
- Press and **hold** the **ALARM** button.

*The Alarm 1 indicator will light and the hours digit will flash.*

1. Press the **SET+ / ►►** or **SET- / ◄◄** button to set the correct alarm hour.

2. Press the **►||** button to confirm this setting.

*The minutes digits will flash.*

3. Press the **SET+ / ►►** or **SET- / ◄◄** button to set the correct alarm minutes.

4. Press the **►||** button to confirm this setting.

*The current alarm wake-up mode will flash.*

5. Press the **SET+ / ►►** or **SET- / ◄◄** button to select the wake-up mode you want from the options of - iPhone (IP), FM, Buzzer (BUZ).

6. Press the **►||** button to confirm this setting.

*Alarm 1 time is now set.*

### Setting the Alarm 2 alarm time:

- Press and **hold** the **ALARM** button.

*The Alarm 1 indicator will light and the hours digit will flash.*

- Press the **ALARM** button **briefly**.

*The Alarm 2 indicator will light and the hours digit will flash.*

- Follow steps 1 - 6 above to set the Alarm 2 hour, minute and Alarm mode.

### Checking the alarm time:

- Press the **DISPLAY/MEMORY** button repeatedly to change the display in the sequence -

- Alarm 1 time check.

*The Alarm 1 indicator will light and the Alarm 1 time setting will be displayed.*

- Alarm 2 time check.

*The Alarm 2 indicator will light and the Alarm 2 time setting will be displayed.*

- Date check.

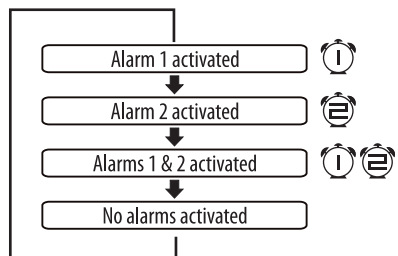
*The date will be displayed (in format MM.DD)*

- Return to time display.

NOTE: The time check displays will cancel after 5 seconds.

### Setting the alarm to wake you:

- Press the **ALARM** button repeatedly to set Alarm 1, Alarm 2 or both alarms to wake you as required.



The indicators shown next to each option will light on the display to confirm the mode that is set.

### IMPORTANT NOTES:

- Remember to set the unit to Standby before going to bed.
- If you have chosen FM radio as wake-up mode, remember to tune to a station.
- If you have chosen iPhone as wake-up mode, remember to dock your iPhone and set the volume to a level that will wake you before going to bed. If you forget to dock your iPhone and the alarm is set, the unit will automatically wake you with a buzzer.

### WHEN THE ALARM WAKES YOU

The alarm will sound at your preset time and the Alarm Mode display will flash. The volume will gradually increase in level. You can then choose to set snooze, which will temporarily reset the alarm for a further 10 minutes, or to switch it off.

#### To set snooze:

- To set snooze, press the **SNOOZE/DIMMER** button when the alarm sounds.

*The alarm will stop sounding and the alarm indicator will flash. After 10 minutes, the alarm will sound again.*

#### To switch off the alarm:

- To switch off the alarm, press the **ALARM RESET** button.

*The unit will set to Standby.*

#### ALARM REPEAT

The alarm(s) will sound at the same time each day when set.

## ADVANCED OPERATION


The advanced features are enabled when an iPhone or iPod touch with Technika application running is docked to the unit (iPhone in this section also applies to iPod touch).

Advanced features -

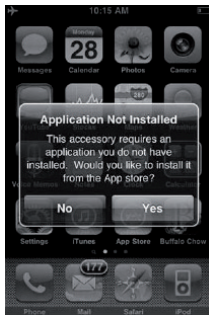
- Weather and temperature display on the iPhone
- Automatic clock setting via the iPhone application
- Alarm setting via the iPhone application
- Radio operation via the iPhone application

### Installing the application:

The Technika application must be installed on the iPhone to enable the advanced features.

- Press the  button repeatedly to select iPhone function mode.
- Dock the iPhone.
- Unlock the iPhone if necessary.

If the application has not been installed, the message 'Application Not Installed' will be displayed on the iPhone screen.



- Touch 'Yes' and follow the prompts on the iPhone screen to download the application from iTunes and install it.

### USING THE APPLICATION

#### Running the application:

NOTE: The iPhone does not have to be docked to run the application.

- Find the 'Technika' application icon on your iPhone.
- Touch the application to start it.

NOTE: Advanced features will only be available when the iPhone is docked with the application running.

#### Setting the Clock, Date and your home location for Weather:

- Dock your iPhone with the application running.

When you dock your iPhone for the first time you will see the message - 'Would you like to use your current location.'

- Touch 'OK' to retrieve your current location.

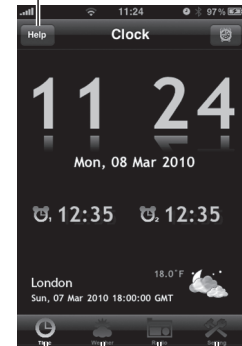
Once this has been set, the time, date and temperature displays of your clock radio will synchronise with the latest information available from the iPhone.

TIP: Remember that the Technika application will run on your iPhone when it is not docked to display time, date and weather information.

#### Choosing an application function:

- Touch one of the icons located at the bottom of the screen to select the function you want.

Application help



Clock function


Application settings

Weather function

Radio function

#### Application help:

If you need help with using the application, touch the help icon at the top of the screen.

There are several help screens available, scroll to reveal them. Touch the  icon to exit the help screens.

## ADVANCED OPERATION

### CLOCK FUNCTION:

If the application is running on an iPhone that is docked, the time, date and weather settings of your clock radio will be automatically updated.

With the clock function selected, you can also choose to set either or both of the alarms.

### Setting the alarms via the application:

- Touch the Clock icon to open the clock screen.



1. Alarm setting icon
2. Time and date displays
3. Alarm time displays
4. Location and weather summary

### Setting the alarms via the application:

NOTE: When an iPhone is docked and the Technika application is running, alarm settings made in the application will override alarm settings made on your clock radio.

### To set alarm times and wake-up music:

- From the clock display screen, touch the alarm setting icon to open the alarm setting screen.



1. Done icon, touch to exit alarm setting
  2. Alarm 1 setting area
  3. Alarm 2 setting area
- From this screen you can switch each alarm on or off, set the wake-up volume and choose to activate snooze mode.
  - Touch the set time banner to open a sub-screen that enables you to set the alarm time and day(s) and to select wake-up music from your iPhone.

- When the time is set, press the 'DONE' icon to return to the main alarm setting screen.
- When you have finished changing all alarm settings, press the 'DONE' icon to return to the clock screen.

NOTE: When the iPhone is docked and the alarms are set through the application, the wake-up mode will always be the music you selected from the iPhone.

### WEATHER FUNCTION:

- Touch the Weather icon to launch the weather application.



1. More detail of the current weather
2. Weather forecast

From the weather screen you can choose sub-screens that display detailed information of the current weather condition or a weather forecast.

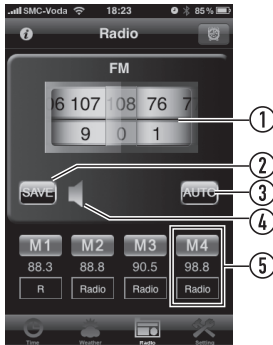
From the detail sub-screens, touch the '< Back' icon to return to the main weather display screen.

## ADVANCED OPERATION

### RADIO FUNCTION:

Select the Radio function from the application menu at the bottom of the screen.

*The radio screen will be displayed.*



1. Scroll here to tune the radio (108.0 MHz shown in this example)
2. Touch here to store a station preset
3. Touch here to scan for a station
4. Scroll here to change the radio volume
5. Touch to select a radio preset

You can now operate many functions of your clock radio from the iPhone screen, tuning for stations and storing presets. In addition, you can assign the presets names for easier selection.

### Auto tuning/preset storing:

- Touch the AUTO icon to scan for stations and store any stations found in the application preset locations.

NOTE: The presets stored by the application are separate and additional to those stored from the control panel.

### Manual tuning:

- Scroll the frequency wheel to manually tune a station. The upper half of the wheel sets tuning in 1MHz steps, the lower half in 0.1MHz steps. For example, to tune 105.5MHz, set the upper wheel to 105, the lower wheel to 5.

*Both the iPhone display and the clock radio display will tune.*

### Storing a station as a preset:

NOTE: If you know the station frequencies of your favourite stations, you can enter the frequencies into the application and store them as presets *before* docking your iPhone.

- Tune to the station you want to store.
- Touch the SAVE icon.
- Choose a preset number to store this station (touch the M1, M2.... etc icon).

*The station will be stored.*

NOTE: You can scroll the preset bar to reveal more preset numbers (up to 20) if required.

### Naming preset stations:

You can name preset stations stored on your iPhone.

- Touch the text box below the preset number you want to rename.

*The text entry keypad will appear.*

- Enter the preset name.

### APPLICATION SETTINGS:

From the Application setting screen you can choose the following settings -

**Flash colon:** Set to 'ON' for a flashing colon on the clock display.

**Brightness:** Set the display brightness for the application (useful to make the display dimmer when docked at night).

**24 Hour Mode:** Set the clock mode to your preference of 24 hour or 12 hour display.

**Temperature unit:** Choose to set the temperature display units to your preference of Centigrade or Fahrenheit.

**Auto-Lock:** When set to 'ON' with the application running the iPhone will lock automatically after 1 minute of inactivity. When set to 'OFF' the iPhone will not lock while the application is running.

NOTE: When Auto-Lock is set to 'OFF' the iPhone display will stay permanently lit when the application is running.

## SLEEP FUNCTION

### SLEEP TIMER

You can set the Sleep timer to play music for a set period while you are falling asleep.

#### To set the sleep timer:

- Play your choice of music.
- Press and **hold** the **SNOOZE/SLEEP** button to set sleep mode.
- The display will flash '00'.
- Press the **SET+ / ►►** or **SET- / ◄◄** button to set your choice of sleep time in the range 10 minutes to 90 minutes in 10 minute intervals. Pressing once more beyond the 90 minute setting will cancel Sleep mode (set to 00).
- Press the **►||** button to confirm the sleep time setting.

*When Sleep mode is set the Sleep indicator 'ZZZ' will be displayed and the music will continue to play for the time you selected. The unit will then set to Standby.*

#### Checking the sleep time remaining:

- If you want to check the sleep time remaining during the sleep period, press the **SLEEP** button.
- The remaining sleep time will be displayed.

#### Cancelling sleep mode:

- To cancel Sleep mode, set the unit to Standby.

## TROUBLESHOOTING

### Poor quality radio reception

The aerial signal may not be adequate. Try repositioning the aerial wire (FM).

### Clock or alarms will not set

You may have an iPhone docked with the Technika application running. Stop the application or remove the iPhone if you want to set the clock or alarm manually.

### Alarm not sounding

Check that you have set the correct alarm time, and set the alarm to wake you (wake-up mode symbol(s) will be displayed). Check also that the unit is set to Standby before you go to bed.

If you have docked an iPhone with the application running, check that the alarm settings are correctly made in the application.

### No sound/low volume from AUDIO IN source:

Check that the volume control is turned up on the AUX source.

### No display:

The display dimmer may have been set to low (no backlight). Press the **SNOOZE/DIMMER** button to restore the backlight.

## CARE AND MAINTENANCE

### CARE AND CLEANING

All care and cleaning operations should be carried out with the unit unplugged from the mains power.

The surface of the unit can be cleaned with a barely damp cloth and then dried carefully. Never use abrasives, abrasive cloths or chemical solvents.

## WARRANTY

### WARRANTY

Your Tesco appliance is covered by a warranty for 12 months from the date of purchase. If a fault develops during this period, please contact the TESCO electrical help line on 0845 456 6767. Please have your original purchase receipt with you when you call. This warranty in no way affects your consumer rights.

## SPECIFICATIONS

### SPECIFICATIONS

Supply Voltage, Current : . 5V  $\overline{\text{---}}$ , 2A

AC Adaptor input:..... 100-240V ~, 0,5A max.

Net Weight:..... 914 g



Class II construction double insulated.

This product must not be connected to earth.



UK: Waste electrical products/batteries should not be disposed of with household waste. Separate disposal facilities exist, for your nearest facilities see [www.recycle-more.co.uk](http://www.recycle-more.co.uk) or in-store for details.

ROI: Produced after 13th August 2005. Waste electrical products/batteries should not be disposed of with household waste. Please recycle where facilities exist. Check with your Local Authority or retailer for recycling advice.

# Technika

Tesco Stores Ltd,  
Delamare Road, Cheshunt, Herts, EN8 9SL

► **Technika Helpline: 0845 456 6767** (Calls cost up to 4p per minute from a BT landline, other providers may vary)

SP112IPH V0.1



## Free Manuals Download Website

<http://myh66.com>

<http://usermanuals.us>

<http://www.somanuals.com>

<http://www.4manuals.cc>

<http://www.manual-lib.com>

<http://www.404manual.com>

<http://www.luxmanual.com>

<http://aubethermostatmanual.com>

Golf course search by state

<http://golfingnear.com>

Email search by domain

<http://emailbydomain.com>

Auto manuals search

<http://auto.somanuals.com>

TV manuals search

<http://tv.somanuals.com>