

# MSO4000 and DPO4000 Series Digital Phosphor Oscilloscopes Programmer Manual



077-0248-00

**Tektronix**



**MSO4000 and DPO4000 Series  
Digital Phosphor Oscilloscopes  
Programmer Manual**

[www.tektronix.com](http://www.tektronix.com)

077-0248-00

**Tektronix**

Copyright © Tektronix. All rights reserved. Licensed software products are owned by Tektronix or its subsidiaries or suppliers, and are protected by national copyright laws and international treaty provisions.

Tektronix products are covered by U.S. and foreign patents, issued and pending. Information in this publication supersedes that in all previously published material. Specifications and price change privileges reserved.

TEKTRONIX and TEK are registered trademarks of Tektronix, Inc.

### **Contacting Tektronix**

Tektronix, Inc.  
14200 SW Karl Braun Drive  
P.O. Box 500  
Beaverton, OR 97077  
USA

For product information, sales, service, and technical support:

- In North America, call 1-800-833-9200.
- Worldwide, visit [www.tektronix.com](http://www.tektronix.com) to find contacts in your area.

---

# Table of Contents

Getting Started .....	1-1
Setting Up Remote Communications .....	1-1
Command Syntax .....	2-1
Command and Query Structure .....	2-1
Clearing the oscilloscope .....	2-3
Command Entry .....	2-3
Constructed Mnemonics .....	2-5
Argument Types .....	2-7
Command Groups .....	2-11
Acquisition Command Group .....	2-11
Alias Command Group .....	2-12
Bus Command Group .....	2-13
Calibration and Diagnostic Command Group .....	2-17
Cursor Command Group .....	2-17
Display Command Group .....	2-19
Ethernet Command Group .....	2-20
File System Command Group .....	2-21
Hard Copy Command Group .....	2-22
Horizontal Command Group .....	2-24
Mark Command Group .....	2-24
Math Command Group .....	2-26
Measurement Command Group .....	2-27
Miscellaneous Command Group .....	2-30
PictBridge Command Group .....	2-32
Power Command Group .....	2-32
Save and Recall Command Group .....	2-40
Search Command Group .....	2-41
Status and Error Command Group .....	2-47
Trigger Command Group .....	2-48
Vertical Command Group .....	2-58
Waveform Transfer Command Group .....	2-61
Zoom Command Group .....	2-67
Commands Listed in Alphabetical Order .....	2-69
Status and Events .....	3-1
Registers .....	3-1
Queues .....	3-4
Event Handling Sequence .....	3-5
Synchronization Methods .....	3-7

Appendix A: Character Set .....	A-1
Appendix B: Reserved Words .....	B-1
Appendix C: Factory Defaults .....	C-1
Default Setup .....	C-1
Appendix D: Programming Example .....	D-1
Index	

# Getting Started

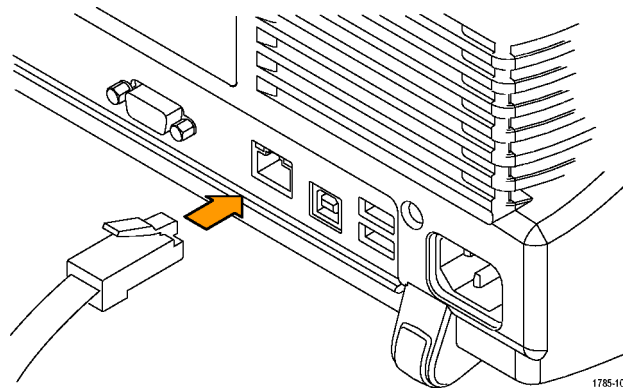
This manual explains the use of commands for remotely controlling your oscilloscope. With this information, you can write computer programs to perform functions, such as setting the front-panel controls, taking measurements, performing statistical calculations, and exporting data for use in other programs.

## Setting Up Remote Communications

You can remotely communicate between your oscilloscope and PC via the Ethernet, USB, and, GPIB using the TEK-USB-488 Adapter.

### Ethernet

If you are using Ethernet, start by connecting an appropriate Ethernet cable to the Ethernet port (RJ-45 connector) on the rear panel of your oscilloscope. This connects the oscilloscope to a 10/100 Base-T local area network.

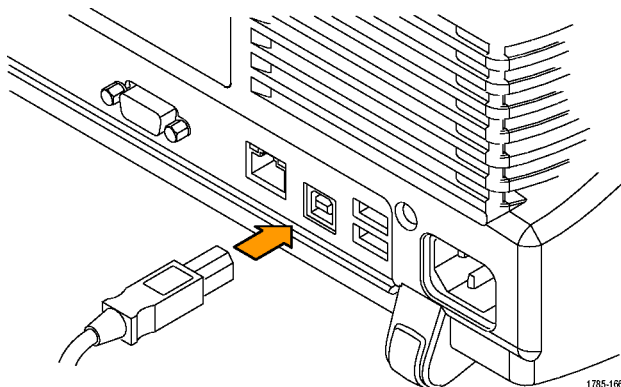


To change the Ethernet settings on your oscilloscope, do the following:

1. On the front panel, push **Utility**.
2. Push **Utility Page**.
3. Select **I/O** with the Multipurpose knob.
4. Push **Ethernet Network Settings**.
5. On the side-bezel menu, if you are on a DHCP Ethernet network and using a through cable, set DHCP/BOOTP to **On**.
6. If you are using a cross-over cable, set DHCP/BOOTP to **Off**, and set a hard coded TCP/IP address.

### USB

If you are using USB, start by connecting an appropriate USB cable to the USB 2.0 high-speed device port on the rear panel of your oscilloscope.



With USB, the system automatically configures itself. To verify that the USB is enabled:

1. On the front panel, push **Utility**.
2. Push **Utility Page**.
3. Select **I/O** with the Multipurpose knob.
4. Push **USB**, and verify that USB is enabled.
5. If USB is disabled, push **Connect to computer** on the side-bezel menu.

After connection, the host, with appropriate software, can list the oscilloscope as a USB device with the following parameters. (See Table 1-1.)

**Table 1-1: USB Device Parameters**

Parameter	Value
Manufacturer ID	0x0699 (decimal 1689)
Product ID	0x0401 (decimal 1025)
Serial number	Serial number
Manufacturer description	"Tektronix"
Interface description	"USBTMC-USB488"

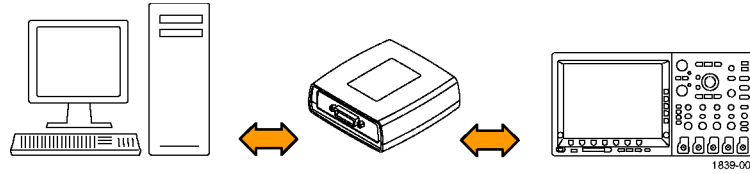
**GPIB** To use GPIB, start by connecting an appropriate USB cable to the USB 2.0 high speed device port on the rear panel of your oscilloscope. Connect the other end to the TEK-USB-488 Adapter host port. Then connect a GPIB cable from the TEK-USB-488 Adapter to your PC.

Supply power to the Adapter in either of these two ways:

1. Use the optional 5 V<sub>DC</sub> power adapter connected to the 5 V<sub>DC</sub> power input on the Adapter.
2. Use an appropriate USB cable connected to a powered USB host port on your PC and the Device port on the TEK-USB-488 Adapter.



The oscilloscope has a USB 2.0 High speed device port to control the oscilloscope through USBTMC or GPIB with a TEK-USB-488 Adapter. The USBTMC protocol allows USB devices to communicate using IEEE488 style messages. This lets you run your GPIB software applications on USB hardware.



Before setting up the oscilloscope for remote communication using the electronic (physical) GPIB interface, you should familiarize yourself with the following GPIB requirements:

- A unique device address must be assigned to each device on the bus. No two devices can share the same device address.
- No than 15 devices can be connected to any one line.
- One device should be connected for every 6 feet (2 meters) of cable used.
- No than 65 feet (20 meters) of cable should be used to connect devices to a bus.
- At least two-thirds of the devices on the network should be powered on while using the network.
- Connect the devices on the network in a star or linear configuration. Do not use loop or parallel configurations.

To function correctly, your oscilloscope must have a unique device address. The default setting for the GPIB configuration is GPIB Address 1.

To change the GPIB address settings, do the following:

1. On the front panel, push **Utility**.
2. Push **Utility Page**.
3. Select **I/O** with the Multipurpose knob.
4. Push **GPIB**.
5. Enter the GPIB address on the side-bezel menu, using the multipurpose knob. This will set the GPIB address on an attached TEK-USB-488 Adapter

The oscilloscope is now set up for bidirectional communication with your controller.

## Documentation

The following documents are available for download on the Manuals Finder Web site at [www.tektronix.com](http://www.tektronix.com):

***MSO4000 and DPO4000 Series Digital Phosphor Oscilloscopes User Manual.*** Information about installing and operating the oscilloscope.

***Getting Started with OpenChoice™ Solutions Manual.*** Options for getting data from your oscilloscope into any one of several available analysis tools.

***MSO4000 and DPO4000 Series Digital Phosphor Oscilloscopes Technical Reference.*** Oscilloscope specifications and a performance verification procedure.

***TekVISA Programmer Manual.*** Description of TekVISA, the Tektronix implementation of the VISA Application Programming Interface (API). TekVISA is industry-compliant software for writing interoperable oscilloscope drivers in a variety of Application Development Environments (ADEs).

# Command Syntax

You can control the operations and functions of the oscilloscope through the Ethernet port or the USB 2.0 device port using commands and queries. The related topics listed below describe the syntax of these commands and queries. The topics also describe the conventions that the oscilloscope uses to process them. See the *Command Groups* topic in the table of contents for a listing of the commands by command group, or use the index to locate a specific command.

## Backus-Naur Form Notation

This documentation describes the commands and queries using Backus-Naur Form (BNF) notation. Refer to the following table for the symbols that are used.

**Table 2-1: Symbols for Backus-Naur Form**

Symbol	Meaning
< >	Defined element
=	Is defined as
	Exclusive OR
{ }	Group; one element is required
[ ]	Optional; can be omitted
. . .	Previous element(s) may be repeated
( )	Comment

## Command and Query Structure

Commands consist of set commands and query commands (usually called commands and queries). Commands modify oscilloscope settings or tell the oscilloscope to perform a specific action. Queries cause the oscilloscope to return data and status information.

Most commands have both a set form and a query form. The query form of the command differs from the set form by its question mark at the end. For example, the set command `ACQuire:MODE` has a query form `ACQuire:MODE?`. Not all commands have both a set and a query form. Some commands have set only and some have query only.

## Messages

A command message is a command or query name followed by any information the oscilloscope needs to execute the command or query. Command messages may contain five element types, defined in the following table.

**Table 2-2: Command Message Elements**

<b>Symbol</b>	<b>Meaning</b>
<Header>	This is the basic command name. If the header ends with a question mark, the command is a query. The header may begin with a colon (:) character. If the command is concatenated with other commands, the beginning colon is required. Never use the beginning colon with command headers beginning with a star (*).
<Mnemonic>	This is a header subfunction. Some command headers have only one mnemonic. If a command header has multiple mnemonics, a colon (:) character always separates them from each other.
<Argument>	This is a quantity, quality, restriction, or limit associated with the header. Some commands have no arguments while others have multiple arguments. A <space> separates arguments from the header. A <comma> separates arguments from each other.
<Comma>	A single comma is used between arguments of multiple-argument commands. Optionally, there may be white space characters before and after the comma.
<Space>	A white space character is used between a command header and the related argument. Optionally, a white space may consist of multiple white space characters.

**Commands**

Commands cause the oscilloscope to perform a specific function or change one of the settings. Commands have the structure:

[ : ] <Header> [ <Space> <Argument> [ <Comma> <Argument> ] . . . ]

A command header consists of one or more mnemonics arranged in a hierarchical or tree structure. The first mnemonic is the base or root of the tree and each subsequent mnemonic is a level or branch off the previous one. Commands at a higher level in the tree may affect those at a lower level. The leading colon (:) always returns you to the base of the command tree.

**Queries** Queries cause the oscilloscope to return status or setting information. Queries have the structure:

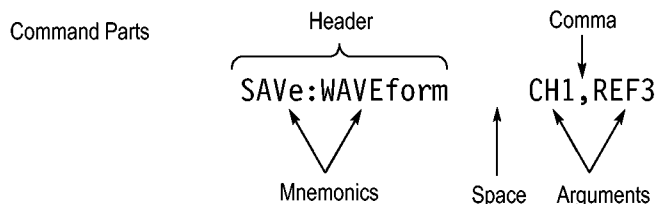
- [ : ] <Header>
- [ : ] <Header> [ <Space> <Argument> [ <Comma> <Argument> ] . . . ]

You can specify a query command at any level within the command tree unless otherwise noted. These branch queries return information about all the mnemonics below the specified branch or level.

**Headers** Use the HEADer command to control whether the oscilloscope returns headers as part of the query response. If header is on, the query response returns command headers, then formats itself as a valid set command. When header is off, the response includes only the values. This may make it easier to parse and extract the information from the response. The table below shows the difference in responses.

**Table 2-3: Comparison of Header Off and Header On Responses**

Query	Header Off	Header On
TIME?	14:30:00	:TIME "14:30:00"
ACQuire:NUMAVG?	100	:ACQUIRE:NUMAVG 100



## Clearing the oscilloscope

You can clear the Output Queue and reset the oscilloscope to accept a new command or query by using the selected Device Clear (DCL) function.

## Command Entry

The following rules apply when entering commands:

- You can enter commands in upper or lower case.
- You can precede any command with white space characters. White space characters include any combination of the ASCII control characters 00 through 09 and 0B through 20 hexadecimal (0 through 9 and 11 through 32 decimal).
- The oscilloscope ignores commands consisting of any combination of white space characters and line feeds.

### Abbreviating

You can abbreviate many oscilloscope commands. Each command in this documentation shows the minimum acceptable abbreviations in capitals. For example, you can enter the command `ACQUIRE:NUMAVG` simply as `ACQ:NUMA` or `acq:numa`.

Abbreviation rules may change over time as new oscilloscope models are introduced. Thus, for the most robust code, use the full spelling.

If you use the `HEADER` command to have command headers included as part of query responses, you can further control whether the returned headers are abbreviated or are full-length with the `VERBOSE` command.

### Concatenating

You can concatenate any combination of set commands and queries using a semicolon (;). The oscilloscope executes concatenated commands in the order received.

When concatenating commands and queries, you must follow these rules:

1. Separate completely different headers by a semicolon and by the beginning colon on all commands except the first one. For example, the commands `TRIGGER:MODE NORMAL` and `ACQUIRE:NUMAVG 8`, can be concatenated into the following single command:

```
TRIGGER:MODE NORMAL;ACQUIRE:NUMAVG 8
```

2. If concatenated commands have headers that differ by only the last mnemonic, you can abbreviate the second command and eliminate the beginning colon. For example, you can concatenate the commands `ACQUIRE:MODE ENVELOPE` and `ACQUIRE:NUMAVG 8` into a single command:

```
ACQUIRE:MODE ENVELOPE; NUMAVG 8
```

The longer version works equally well:

```
ACQUIRE:MODE ENVELOPE;:ACQUIRE:NUMAVG 8
```

3. Never precede a star (\*) command with a colon:

```
ACQUIRE:STATE 1;*OPC
```

Any commands that follow will be processed as if the star command was not there so the commands, `ACQUIRE:MODE ENVELOPE;*OPC;NUMAVG 8` will set the acquisition mode to envelope and set the number of acquisitions for averaging to 8.

4. When you concatenate queries, the responses to all the queries are concatenated into a single response message. For example, if the display graticule is set to Full and the display style is set to dotsonly, the concatenated query `DISPLAY:GRATICULE?;STYLE:DOTSONLY?` will return the following.

If the header is on:

```
DISPLAY:GRATICULE FULL;:DISPLAY:STYLE:DOTSONLY 1
```

If the header is off:

```
FULL;1
```

5. Set commands and queries may be concatenated in the same message. For example,

```
ACQuire:MODE SAMple;NUMAVg?;STATE?
```

is a valid message that sets the acquisition mode to sample. The message then queries the number of acquisitions for averaging and the acquisition state. Concatenated commands and queries are executed in the order received.

Here are some invalid concatenations:

```
DISPlay:STYle:NORMal;ACQuire:NUMAVg 8 (no colon before ACQuire)
```

```
DISPlay:GRAticule FULL;:DOTSONLY OFF (extra colon before DOTSONly. You could use DISPlay:DOTsonly OFF instead)
```

```
DISPlay:GRAticule FULL;:*TRG (colon before a star (*) command)
```

```
MATH:HORizontal:SCALE 1.0e-1;HORizontal:POSITION 5.0e1  
(levels of the mnemonics are different; either remove the second use of  
HORizontal: or place :MATH in front of HORizontal:POSITION)
```

**Terminating** This documentation uses <EOM> (End of Message) to represent a message terminator.

**Table 2-4: End of Message Terminator**

Symbol	Meaning
<EOM>	Message terminator

The end-of-message terminator must be the END message (EOI asserted concurrently with the last data byte). The last data byte may be an ASCII line feed (LF) character.

This oscilloscope does not support ASCII LF only message termination. The oscilloscope always terminates outgoing messages with LF and EOI.

## Constructed Mnemonics

Some header mnemonics specify one of a range of mnemonics. For example, a channel mnemonic can be CH1, CH2, CH3, or CH4. You use these mnemonics in the command just as you do any other mnemonic. For example, there is a CH1:POSITION command, and there is also a CH2:POSITION command. In the command descriptions, this list of choices is abbreviated as CH<x>.

**Cursor Position Mnemonics**

When cursors are displayed, commands may specify which cursor of the pair to use.

**Table 2-5: Channel Mnemonics**

Symbol	Meaning
CH<x>	A channel specifier; <x> is 1 through 4.

**Table 2-6: Cursor Mnemonics**

Symbol	Meaning
CURSOR<x>	A cursor selector; <x> is either 1 or 2.
POSITION<x>	A cursor selector; <x> is either 1 or 2.
HPOS<x>	A cursor selector; <x> is either 1 or 2.

**Math Specifier Mnemonics**

Commands can specify the mathematical waveform to use as a mnemonic in the header.

**Table 2-7: Math Specifier Mnemonics**

Symbol	Meaning
Math<x>	A math waveform specifier; <x> is 1.

**Measurement Specifier Mnemonics**

Commands can specify which measurement to set or query as a mnemonic in the header. Up to eight automated measurements may be displayed.

**Table 2-8: Measurement Specifier Mnemonics**

Symbol	Meaning
MEAS<x>	A measurement specifier; <x> is 1 through 4.

**Channel Mnemonics**

Commands specify the channel to use as a mnemonic in the header.

**Reference Waveform Mnemonics**

Commands can specify the reference waveform to use as a mnemonic in the header.

**Table 2-9: Reference Waveform Mnemonics**

Symbol	Meaning
REF<x>	A reference waveform specifier; <x> is 1, 2, 3, or 4 for 4-channel oscilloscopes and 1 or 2 for 2-channel oscilloscopes.



## Argument Types

Commands use arguments such as enumeration, numeric, quoted string and block. Each of these arguments are listed in detail below.

**Enumeration** Enter these arguments as unquoted text words. Like key words, enumeration arguments follow the same convention where the portion indicated in uppercase is required and that in lowercase is optional.

For example: `SAVE:WAVEform:FILEFormat INTERNA1`

**Numeric** Many oscilloscope commands require numeric arguments. The syntax shows the format that the oscilloscope returns in response to a query. This is also the preferred format when sending the command to the oscilloscope though any of the formats will be accepted. This documentation represents these arguments as described below.

**Table 2-10: Numeric Arguments**

Symbol	Meaning
<NR1>	Signed integer value
<NR2>	Floating point value without an exponent
<NR3>	Floating point value with an exponent
<bin>	Digital data in binary format

Most numeric arguments will be automatically forced to a valid setting, by either rounding or truncating,, when an invalid number is input, unless otherwise noted in the command description.

**Quoted String** Some commands accept or return data in the form of a quoted string, which is simply a group of ASCII characters enclosed by a single quote (') or double quote ("). The following is an example of a quoted string: "This is a quoted string". This documentation represents these arguments as follows:

**Table 2-11: Quoted String Argument**

Symbol	Meaning
<QString>	Quoted string of ASCII text

A quoted string can include any character defined in the 7-bit ASCII character set. Follow these rules when you use quoted strings:

1. Use the same type of quote character to open and close the string. For example: "this is a valid string".
2. You can mix quotation marks within a string as long as you follow the previous rule. For example: "this is an 'acceptable' string".
3. You can include a quote character within a string by repeating the quote. For example: "here is a "" mark".
4. Strings can have upper or lower case characters.
5. If you use a GPIB network, you cannot terminate a quoted string with the END message before the closing delimiter.
6. A carriage return or line feed embedded in a quoted string does not terminate the string. The return is treated as another character in the string.
7. The maximum length of a quoted string returned from a query is 1000 characters.

Here are some invalid strings:

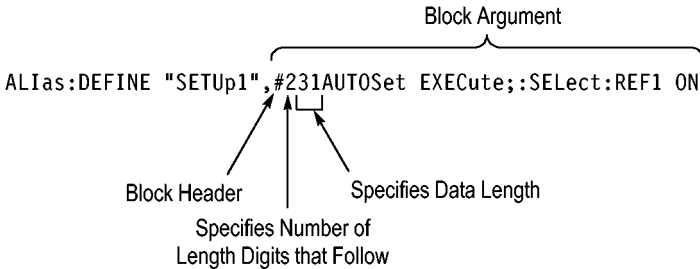
- "Invalid string argument' (quotes are not of the same type)
- "test<EOI>" (termination character is embedded in the string)

**Block** Several oscilloscope commands use a block argument form, as defined in the table below.

**Table 2-12: Block Argument**

Symbol	Meaning
<NZDig>	A nonzero digit character in the range of 1–9
<Dig>	A digit character, in the range of 0–9
<DChar>	A character with the hexadecimal equivalent of 00 through FF (0 through 255 decimal)
<Block>	A block of data bytes defined as: <Block> ::= {#<NZDig><Dig>[<Dig>...][<DChar>...]  #0[<DChar>...]<terminator>}

<NZDig> specifies the number of <Dig> elements that follow. Taken together, the <NZDig> and <Dig> elements form a decimal integer that specifies how many <DChar> elements follow.





# Command Groups

This manual lists the MSO4000 and DPO4000 Series IEEE488.2 commands in two ways. First, it presents them by functional groups. Then, it lists them alphabetically. The functional group list starts below. The alphabetical list provides detail on each command. (See page 2-69, *Commands Listed in Alphabetical Order.*)

## Acquisition Command Group

Use the commands in the Acquisition Command Group to set up the modes and functions that control how the oscilloscope acquires signals input to the channels, and processes them into waveforms.

Using the commands in this group, you can do the following:

- Start and stop acquisitions.
- Control whether each waveform is simply acquired, averaged, or enveloped over successive acquisitions of that waveform.
- Set the controls or conditions that start and stop acquisitions.
- Control acquisition of channel waveforms.
- Set acquisition parameters.

**Table 2-13: Acquisition Commands**

Command	Description
<a href="#">ACQUIRE?</a>	Returns acquisition parameters
<a href="#">ACQUIRE:MAGNIVU</a>	Sets or returns the MagniVu feature
<a href="#">ACQUIRE:MAXSAMPLERATE?</a>	Returns the maximum real-time sample rate
<a href="#">ACQUIRE:MODE</a>	Sets or returns the acquisition mode
<a href="#">ACQUIRE:NUMACQ?</a>	Returns number of acquisitions that have occurred
<a href="#">ACQUIRE:NUMAVG</a>	Sets or returns the number of acquisitions for an averaged waveform
<a href="#">ACQUIRE:STATE</a>	Starts or stops the acquisition system
<a href="#">ACQUIRE:STOPAFTER</a>	Sets or returns whether the acquisition is continuous or single sequence

## Alias Command Group

Use the Alias commands to define new commands as a sequence of standard commands. You may find this useful when repeatedly using the same commands to perform certain tasks like setting up measurements.

Aliases are similar to macros but do not include the capability to substitute parameters into alias bodies. The alias mechanism obeys the following rules:

- The alias name must consist of a valid IEEE488.2 message unit, which may not appear in a message preceded by a colon, comma, or a command or query program header.
- The alias name may not appear in a message followed by a colon, comma, or question mark.
- An alias name must be distinct from any keyword or keyword short form.
- An alias name cannot be redefined without first being deleted using one of the alias deletion functions.
- Alias names do not appear in response messages.

**Table 2-14: Alias Commands**

Command	Description
<a href="#">ALias</a>	Sets or returns the alias state
<a href="#">ALias:CATalog?</a>	Returns a list of the currently defined alias labels
<a href="#">ALias:DEFine</a>	Assigns a sequence of program messages to an alias label
<a href="#">ALias:DELEte</a>	Removes a specified alias
<a href="#">ALias:DELEte:ALL</a>	Deletes all existing aliases
<a href="#">ALias:DELEte[:NAME]</a>	Removes a specified alias
<a href="#">ALias[:STATE]</a>	Sets or returns the alias state

## Bus Command Group

Use the Bus commands when working with serial or parallel bus measurements.

- Install the DPOEMBD application module when working with I<sup>2</sup>C or SPI bus signals.
- Install the DPO4COMP module when working with RS-232, RS-422, RS-485, or UART bus signals.
- Install the DPO4AUDIO module when working with I<sup>2</sup>S, Left Justified (LJ), Right Justified (RJ), or TDM bus signals.
- Install the DPO4AUTO or DPO4AUTOMAX module when working with CAN or LIN bus signals.
- Install the DPO4AUTOMAX module when working with FlexRay bus signals.

---

**NOTE.** LIN and FlexRay work on DPO4000s with serial numbers greater than C020000 and on all MSO4000s.

---



---

**NOTE.** The parallel bus commands work with MSO4000 Series oscilloscopes only.

---



---

**NOTE.** The Search Command Group and the Trigger Command Group also contain bus-related commands.

---

**Table 2-15: Bus Commands**

Commands	Description
<a href="#">BUS</a>	Returns the parameters for each bus
<a href="#">BUS:B&lt;1-4&gt;:AUDio:BITDelay</a>	Sets or returns the number of delay bits for the AUDIO bus
<a href="#">BUS:B&lt;1-4&gt;:AUDio:BITOrder</a>	Sets or returns the bit order for the AUDIO bus
<a href="#">BUS:B&lt;1-4&gt;:AUDio:CHANnel:SIZE</a>	Sets or returns the number of bits per channel for the AUDIO bus
<a href="#">BUS:B&lt;1-4&gt;:AUDio:CLOCK:POLarity</a>	Sets or returns the clock polarity for the AUDIO bus
<a href="#">BUS:B&lt;1-4&gt;:AUDio:CLOCK:SOURce</a>	Sets or returns the clock source waveform for the AUDIO bus
<a href="#">BUS:B&lt;1-4&gt;:AUDio:DATA:POLarity</a>	Sets or returns the data polarity for the AUDIO bus
<a href="#">BUS:B&lt;1-4&gt;:AUDio:DATA:SIZE</a>	Sets or returns the number of bits per word for the AUDIO bus

Table 2-15: Bus Commands (cont.)

Commands	Description
BUS:B<1-4>:AUDio:DATa:SOUrce	Sets or returns the data source waveform for the AUDIO bus
BUS:B<1-4>:AUDio:DISPlay:FORMat	Sets or returns the display format for the AUDIO bus
BUS:B<1-4>:AUDio:FRAME:SIZE	Sets or returns the number of channels in each frame for the AUDIO bus
BUS:B<1-4>:AUDio:FRAMESync:POLarity	Sets or returns the frame sync polarity for the AUDIO bus
BUS:B<1-4>:AUDio:FRAMESync:SOUrce	Sets or returns the frame sync source waveform for the AUDIO bus
BUS:B<1-4>:AUDio:TYPE	Sets or returns the audio format (type) for the AUDIO bus
BUS:B<1-4>:AUDio:WORDSel:POLarity	Sets or returns the word select polarity for the AUDIO bus
BUS:B<1-4>:AUDio:WORDSel:SOUrce	Sets or returns the word select source waveform for the AUDIO bus
BUS:B<x>:CAN:BITRate	Sets or returns the bit rate for the CAN bus
BUS:B<x>:CAN:PRObe	Sets or returns the probing method used to probe the CAN bus
BUS:B<x>:CAN:SAMPLEpoint	Sets or returns the sample point (in %) to sample during each bit period
BUS:B<x>:CAN:SOUrce	Sets or returns the CAN data source
BUS:B<x>:DISPlay:FORMAt	Sets the display format for the numerical information in the specified bus waveform
BUS:B<x>:DISPlay:TYPE	Sets the display type for the specified bus
BUS:B<x>:FLEXray:BITRate	Sets or returns the bit rate for FLEXRAY
BUS:B<x>:FLEXray:CHannel	Sets or returns the FLEXRAY ID format
BUS:B<x>:FLEXray:SIGNAL	Sets or returns the FLEXRAY standard
BUS:B<x>:FLEXray:SOUrce	Sets or returns the FLEXRAY data source
BUS:B<x>:I2C:ADDRes:RWINClude	Sets and returns whether the read/write bit is included in the address
BUS:B<x>:I2C{ :CLOCK :SCLK}:SOUrce	Sets or returns the I2C SCLK source
BUS:B<x>:I2C{ :DATA :SDATA}:SOUrce	Sets or returns the I2C SDATA source
BUS:B<x>:LABel	Sets or returns the waveform label for the specified bus
BUS:B<x>:LIN:BITRate	Sets or returns the bit rate for LIN
BUS:B<x>:LIN:IDFORMat	Sets or returns the LIN ID format
BUS:B<x>:LIN:POLARity	Sets or returns the LIN polarity
BUS:B<x>:LIN:SAMPLEpoint	Sets or returns the sample point (in %) at which to sample during each bit period



Table 2-15: Bus Commands (cont.)

Commands	Description
BUS:B<x>:LIN:SOURce	Sets or returns the LIN data source
BUS:B<x>:LIN:STANDard	Sets or returns the LIN standard
BUS:B<x>:PARAllel:BIT<x>:SOURce	Sets or returns the Parallel bit source for the specified bus
BUS:B<x>:PARAllel:CLOCK:EDGE	Sets or returns the Parallel clock edge for the specified bus
BUS:B<x>:PARAllel:CLOCK:ISCLOCKed	Sets or returns the Parallel bus clock function for the specified bus
BUS:B<x>:PARAllel:CLOCK:SOURce	Sets or returns the Parallel clock source for the specified bus
BUS:B<x>:PARAllel:WIDth	Sets or returns the width of the Parallel bus
BUS:B<x>:POSition	Sets or returns the position of the specified bus waveform
BUS:B<x>:RS232C:BITRate	Sets or returns the RS-232 bit rate for the specified bus
BUS:B<x>:RS232C:DATABits	Sets or returns the number of bits for the data frame
BUS:B<x>:RS232C:DELIMiter	Sets or returns the RS-232 delimiting value for a packet on the specified bus
BUS:B<x>:RS232C:DISplaymode	Sets or returns the display mode for the specified bus display and event table
BUS:B<x>:RS232C:PARity	Sets or returns parity for RS-232 data
BUS:B<x>:RS232C:POLarity	Sets or returns the RS-232C polarity for the specified bus
BUS:B<x>:RS232C:RX:SOURce	Sets or returns the RS-232 RX source
BUS:B<x>:RS232C:TX:SOURce	Sets or returns the RS-232 TX Source
BUS:B<x>:SPI:BITOrder	Sets or returns the bit order for the specified SPI bus
BUS:B<x>:SPI{:CLOCK}:SCLK}:POLARity	Sets or returns the SPI SCLK polarity
BUS:B<x>:SPI{:CLOCK}:SCLK}:SOURce	Sets or returns the SPI SCLK source
BUS:B<x>:SPI:DATA{:IN}:MISO}:POLARity	Sets or returns the SPI MISO polarity
BUS:B<x>:SPI:DATA{:IN}:MISO}:SOURce	Sets or returns the SPI MISO source
BUS:B<x>:SPI:DATA{:OUT}:MOSI}:POLARity	Sets or returns the SPI MOSI polarity
BUS:B<x>:SPI:DATA{:OUT}:MOSI}:SOURce	Sets or returns the SPI MOSI source
BUS:B<x>:SPI:DATA:SIZE	Sets or returns the number of bits per word for the specified bus
BUS:B<x>:SPI:FRAMING	Sets or returns the SPI framing type
BUS:B<x>:SPI:IDLETime	Sets or returns the SPI bus idle time in seconds for the specified bus

**Table 2-15: Bus Commands (cont.)**

<b>Commands</b>	<b>Description</b>
<a href="#">BUS:B&lt;x&gt;:SPI{:SElect :SS}:POLARity</a>	Sets or returns the SPI SS polarity
<a href="#">BUS:B&lt;x&gt;:SPI{:SElect :SS}:SOUrce</a>	Sets or returns the SPI SS source
<a href="#">BUS:B&lt;x&gt;:STATE</a>	Turns the specified bus on and off
<a href="#">BUS:B&lt;x&gt;:TYPE</a>	Sets or returns the specified bus type
<a href="#">BUS:LOWerthreshold:CH&lt;x&gt;</a>	Sets or returns the lower threshold for each channel
<a href="#">BUS:THReshold:CH&lt;x&gt;</a>	Sets or returns the threshold for a channel
<a href="#">BUS:THReshold:D&lt;x&gt;</a>	Sets or returns the threshold for a digital channel
<a href="#">BUS:UPPerthreshold:CH&lt;x&gt;</a>	Sets or returns the upper threshold for each channel

## Calibration and Diagnostic Command Group

The Calibration and Diagnostic commands provide information about the current state of oscilloscope calibration. They also initiate internal signal path calibration (SPC) or execute diagnostic tests. Commands that are specific to factory calibration are not described in this manual. They are described in the Service manual, located on the DPO4000 Documentation CD-ROM in PDF format. You can also order a printed copy.

**Table 2-16: Calibration and Diagnostic Commands**

Command	Description
*CAL?	Instructs the oscilloscope to perform self-calibration and returns the oscilloscope self calibration status
CALibrate:FACTory:STATus?	Returns the factory calibration status value saved in nonvolatile memory
CALibrate:INTERNaL	Starts a signal path compensation
CALibrate:INTERNaL:START	Starts the internal signal path calibration
CALibrate:INTERNaL:STATus?	Returns the current status of the internal signal path calibration
CALibrate:RESuLts?	Returns the status of all calibration subsystems without performing an SPC operation
CALibrate:RESuLts:FACTory?	Returns the status of internal and factory calibration
CALibrate:RESuLts:SPC?	Returns the results of the last SPC operation
DIAG:LOOP:OPTion	Sets the self-test loop option
DIAG:LOOP:OPTion:NTIMes	Sets the self-test loop option to run N times
DIAG:LOOP:STOP	Stops the self-test at the end of the current loop
DIAG:RESuLt:FLAg?	Returns the pass/fail status from the last self-test sequence execution
DIAG:RESuLt:LOG?	Returns the internal results log from the last self-test sequence execution
DIAG:SElect:<function>	Selects one of the available self-test areas
DIAG:STATE	Sets the oscilloscope operating state
DIAG:SElect	Runs self tests on the specified system subsystem

## Cursor Command Group

Use the commands in the Cursor Command Group to control the cursor display and readout. You can use these commands to control the setups for cursor 1 and cursor 2, such as cursor position.

You can also use the commands to select one of the following cursor functions:

- Off. Turns off the display of all cursors.
- Waveform Cursors. Consists of two cursors. Waveform cursors enable you to conveniently measure waveform amplitude and time.
- Screen Cursors. Consists of two pairs of independent horizontal and vertical cursors. You can use these cursors to indicate an arbitrary position within the waveform display area.

**Table 2-17: Cursor Commands**

Command	Description
CURSor?	Returns cursor settings
CURSor:DDT?	Returns the cursor $\Delta Y/\Delta T$ (dY/dT) readout
CURSor:FUNction	Sets or returns the cursor type
CURSor:HBArs?	Returns hbar cursor settings
CURSor:HBArs:DELta?	Returns hbars cursors vertical difference
CURSor:HBArs:POSITION<x>	Sets or returns the hbar cursor<x> vertical position
CURSor:HBArs:UNIts	Returns hbar cursor units
CURSor:HBArs:USE	Sets the horizontal bar cursor measurement scale, for use with ratio cursors
CURSor:MODE	Sets or returns whether cursors move in unison or separately
CURSor:VBArS?	Sets or returns the position of vertical bar cursors
CURSor:VBArS:ALTERNATE<x>?	Returns the alternate readout for the waveform (Vbar) cursors
CURSor:VBArS:DELta?	Returns the horizontal difference between vbar cursors
CURSor:VBArS:HPOS<x>?	Returns the vertical value of the specified vertical bar tick
CURSor:VBArS:POSITION<x>	Sets or returns the vbar cursor<x> horizontal position
CURSor:VBArS:UNIts	Sets or returns the horizontal units for vbar cursors
CURSor:VBArS:USE	Sets the vertical bar cursor measurement scale
CURSor:VBArS:VDELta?	Returns the vertical difference between the two vertical bar cursor ticks
CURSor:XY:POLar:RADIUS:DELta?	Returns the difference between the cursors X radius and the cursor Y radius

Table 2-17: Cursor Commands (cont.)

Command	Description
CURSor:XY:POLar:RADIUS:POSITION<x>?	Returns the polar radius of the specified cursor
CURSor:XY:POLar:RADIUS:UNIts?	Returns the polar radius units
CURSor:XY:POLar:THETA:DELta?	Returns the XY cursor polar coordinate delta
CURSor:XY:POLar:THETA:POSITION<x>?	Returns the cursor X or cursor Y polar coordinate
CURSor:XY:POLar:THETA:UNIts?	Returns the cursor polar coordinate units
CURSor:XY:PRODUCT:DELta?	Returns the difference between the cursors X position and cursor Y position
CURSor:XY:PRODUCT:POSITION<x>?	Returns the position of the X or Y cursor used to calculate the X × Y cursor measurement
CURSor:XY:PRODUCT:UNIts?	Returns the XY cursor product units
CURSor:XY:RATIO:DELta?	Returns the ratio of the difference between the cursor X position and cursor Y position
CURSor:XY:RATIO:POSITION<x>?	Returns the X or Y position for the specified cursor
CURSor:XY:RATIO:UNIts?	Returns the X and Y cursor units for the ratio measurement
CURSor:XY:READOUT	Sets or returns the XY cursor readout selection.
CURSor:XY:RECTangular:X:DELta?	Returns the cursor X delta value in rectangular coordinates
CURSor:XY:RECTangular:X:POSITION<x>	Sets or returns the cursor X rectangular coordinates
CURSor:XY:RECTangular:X:UNIts?	Returns the Cursor X rectangular units
CURSor:XY:RECTangular:Y:DELta?	Returns The cursor Y delta value in rectangular coordinates
CURSor:XY:RECTangular:Y:POSITION<x>>	Sets or returns the cursor Y rectangular coordinate
CURSor:XY:RECTangular:Y:UNIts?	Returns the cursor Y rectangular units

## Display Command Group

Use the commands in the Display Command Group to change the graticule style, the display intensities, and to set the characteristics of the waveform display.

---

**NOTE.** *Your settings globally affect all displayed waveforms.*

---

Table 2-18: Display Commands

Command	Description
<a href="#">DISplay?</a>	Returns current display settings
<a href="#">DISplay:CLOCK</a>	Sets or returns the display of the date/time stamp
<a href="#">DISplay:DIGital:HEIght</a>	Sets or returns the number of available digital waveform position slots
<a href="#">DISplay:GRAticule</a>	Sets or returns the type of graticule that is displayed
<a href="#">DISplay:FORMat</a>	Sets or returns the display format
<a href="#">DISplay:INTENSITy?</a>	Returns all display intensity settings
<a href="#">DISplay:INTENSITy:BACKLight</a>	Sets or returns the backlight intensity for the display
<a href="#">DISplay:INTENSITy:GRAticule</a>	Sets or returns the graticule intensity for the display
<a href="#">DISplay:INTENSITy:WAVEform</a>	Sets or returns the intensity of the waveforms
<a href="#">DISplay:PERSiStence</a>	Sets or returns display persistence setting
<a href="#">DISplay:STYle:DOTsonly</a>	Sets a dots-only display
<a href="#">MESSage</a>	Sets or queries message box (screen annotation) parameters
<a href="#">MESSage:BOX</a>	Sets or returns the coordinates of the message box
<a href="#">MESSage:CLEAR</a>	Clears the contents of the message box.
<a href="#">MESSage:SHOW</a>	Sets or returns the contents of the message box
<a href="#">MESSage:STATE</a>	Controls the display of the message box

## Ethernet Command Group

Use the commands in the Ethernet Command Group to set up the Ethernet remote interface.

Table 2-19: Ethernet Commands

Command	Description
<a href="#">ETHERnet:DHCPbootp</a>	Sets or returns the network initialization search for a DHCP/BOOTP server
<a href="#">ETHERnet:DNS:IPADDDress</a>	Sets or returns the network Domain Name Server (Dns) IP address
<a href="#">ETHERnet:DOMAINname</a>	Sets or returns the network domain name
<a href="#">ETHERnet:ENET:ADDDress?</a>	Returns the Ethernet address value assigned to the oscilloscope

Table 2-19: Ethernet Commands (cont.)

Command	Description
<code>ETHERnet:GATEWay:IPADdress</code>	Sets or returns the remote interface gateway IP address
<code>ETHERnet:HTTTPort</code>	Sets or returns the remote interface HTTP port value
<code>ETHERnet:IPADdress</code>	Sets or returns the IP address assigned to the oscilloscope
<code>ETHERnet:NAME</code>	Sets or returns the network name assigned to the oscilloscope
<code>ETHERnet:PASSWord</code>	Sets or returns the Ethernet access password
<code>ETHERnet:PING</code>	Causes the oscilloscope to ping the gateway IP address
<code>ETHERnet:PING:STATUS?</code>	Returns the results from pinging the gateway IP address
<code>ETHERnet:SUBNETMask</code>	Sets or returns the remote interface subnet mask value

## File System Command Group

Use the commands in the File System Command Group to help you use CompactFlash and USB media. You can use the commands to do the following:

- List the contents of a directory
- Create and delete directories
- Create, read, rename, or delete a file
- Format media

When using these commands, keep the following points in mind:

- File arguments are always enclosed within double quotes:  
"D:/MYDIR/TEK00001.SET"
- File names follow the non-case sensitive, MSDOS format:  
[DRIVE:][\PATH]filename
- Path separators may be either forward slashes (/) or back slashes (\)

---

**NOTE.** Using back slash as a path separator may produce some unexpected results, depending on how your application treats escaped characters. Many applications recognize the sequence of back slash followed by an alphabetic character as an escaped character; and, as such, interpret that alphabetic character as a control character. For example, the sequence "\n" may be interpreted as a newline character; "\t" may be interpreted as a tab character. To ensure that this interpretation does not occur, you can use double back slashes. For example, "D:\\testfile.txt".

---

**Table 2-20: File System Commands**

Command	Description
FILESystem?	Returns the file system state
FILESystem:CWD	Sets or returns the current working directory for FILESystem commands
FILESystem:DELEte	Deletes a named file or directory
FILESystem:DIR?	Returns a list of directory contents
FILESystem:FORMat	Formats a named drive
FILESystem:FREEspace?	Returns the number of bytes of free space on the current drive
FILESystem:MKDir	Creates a new directory
FILESystem:READFile	Writes the contents of the specified file to the specified interface
FILESystem:REName	Assigns a new name to an existing file
FILESystem:RMDir	Deletes a named directory
FILESystem:WRITEFile	Writes the specified block data to the oscilloscope current working directory

## Hard Copy Command Group

Use the commands in the Hard Copy Command Group to make hard copies. PictBridge commands belong to a separate group. (See page 2-32, *PictBridge Command Group*.)

**Table 2-21: Hard Copy Commands**

Command	Description
HARDCopy	Sends a copy of the screen display to the selected printer
HARDCopy:ACTIVeprinter	Sets or returns the currently active printer
HARDCopy:INKSaver	Changes hard copy output to print color traces and graticule on a white background



Table 2-21: Hard Copy Commands (cont.)

Command	Description
<a href="#">HARDCopy:LAYout</a>	Sets or returns the page orientation for hard copy
<a href="#">HARDCopy:PREVIEW</a>	Previews the current screen contents with the InkSaver palette applied
<a href="#">HARDCopy:PRINTer:ADD</a>	Adds a network printer to the list of available printers
<a href="#">HARDCopy:PRINTer:DELeTe</a>	Removes a network printer from the list of available printers
<a href="#">HARDCopy:PRINTer:LIST?</a>	Returns the list of currently attached printers
<a href="#">HARDCopy:PRINTer:REName</a>	Renames a network printer in the list of available printers

## Horizontal Command Group

Use the commands in the Horizontal Command Group to control the oscilloscope horizontal parameters.

**Table 2-22: Horizontal Commands**

Command	Description
<a href="#">HORizontal?</a>	Returns settings for the horizontal commands
<a href="#">HORizontal:DELay:MODE</a>	Sets or returns the horizontal delay mode
<a href="#">HORizontal:DELay:TIME</a>	Sets or returns the horizontal delay time
<a href="#">HORizontal:DIGital:RECOrdlength:MAGnivu?</a>	Returns the record length of the MagniVu digital acquisition
<a href="#">HORizontal:DIGital:RECOrdlength:MAIN?</a>	Returns the record length of the main digital acquisition
<a href="#">HORizontal:DIGital:SAMPLERate:MAGnivu?</a>	Returns the sample rate of the MagniVu digital acquisition
<a href="#">HORizontal:DIGital:SAMPLERate:MAIN?</a>	Returns the sample rate of the main digital acquisition
<a href="#">HORizontal:POSition</a>	Sets or returns the horizontal position, in percent, that is used when delay is off
<a href="#">HORizontal:PREViewstate?</a>	Returns the display system preview state
<a href="#">HORizontal:RECOrdlength</a>	Sets or returns the record length
<a href="#">HORizontal:SAMPLERate</a>	Sets or returns the sample rate
<a href="#">HORizontal:SCAlE</a>	Sets or returns the horizontal scale

## Mark Command Group

Use the commands in the Mark Command Group to identify areas of the acquired waveform that warrant further investigation.

**Table 2-23: Mark Commands**

Command	Description
<a href="#">MARK</a>	Move to the next or previous mark on the waveform or returns all learnable settings from the mark commands
<a href="#">MARK:CREATE</a>	Creates a mark on a particular waveform or all waveforms in a column
<a href="#">MARK:DELEte</a>	Deletes a mark on a particular waveform, all waveforms in a column, or all marks
<a href="#">MARK:FREE?</a>	Returns how many marks are free to be used
<a href="#">MARK:SELEcted:END?</a>	Returns the end of the selected mark, in terms of 0 to 100% of the waveform

Table 2-23: Mark Commands (cont.)

Command	Description
<a href="#">MARK:SElected:FOCUS?</a>	Returns the focus of the selected mark, in terms of 0 to 100% of the waveform
<a href="#">MARK:SElected:MARKSINCOLumn?</a>	Returns how many marks are in the current zoom pixel column
<a href="#">MARK:SElected:OWNer?</a>	Returns the owner of the selected mark
<a href="#">MARK:SElected:SOURCE?</a>	Returns the source waveform of the selected mark
<a href="#">MARK:SElected:START?</a>	Returns the start of the selected mark, in terms of 0 to 100% of the waveform
<a href="#">MARK:SElected:STATe?</a>	Returns the on or off state of the selected mark
<a href="#">MARK:SElected:ZOOM:POSition?</a>	Returns the position of the selected mark, in terms of 0 to 100% of the upper window
<a href="#">MARK:TOTal?</a>	Returns how many marks are used

## Math Command Group

Use the commands in the Math Command Group to create and define a math waveform. Use the available math functions to define your math waveform.

The math waveform you create depends on sources listed in the math expression. If you change these sources, the math waveform you previously defined will be affected.

Math expressions can be simple, containing no mathematical computation, such as CH1, which specifies that a waveform shows the signal source of Channel 1. Math expressions can also be complex, consisting of up to 128 characters and comprising many sources, functions, and operands.

When a live waveform is updated or a reference waveform is altered, math waveforms containing those waveforms as sources are also updated to reflect the changes. Remember that sources must exist, but do not need to be displayed, to be used in and to update math waveforms.

**Table 2-24: Math Commands**

Command	Description
<a href="#">MATH[1]?</a>	Returns the definition of the math waveform
<a href="#">MATH[1]:DEFine</a>	Sets or returns the current math function as a text string
<a href="#">MATH[1]:HORizontal:SCALE</a>	Sets or returns the math horizontal display scale for FFT or for Dual Math waveforms
<a href="#">MATH[1]:HORizontal:UNIts</a>	Returns the math waveform horizontal unit value
<a href="#">{MATH MATH1}:LABel</a>	Sets or queries the waveform label for the math waveform
<a href="#">MATH[1]:SPECTral:MAG</a>	Sets or returns the units of spectral magnification in the math string
<a href="#">MATH[1]:SPECTral:WINDow</a>	Sets or returns the window function for math waveform spectral input data
<a href="#">MATH[1]:VERTical:POSition</a>	Sets or returns the vertical position of the currently selected math type
<a href="#">MATH[1]:VERTical:SCALE</a>	Sets or returns the vertical scale of the currently selected math type
<a href="#">MATH[1]:VERTical:UNIts</a>	Returns the math waveform vertical units
<a href="#">MATH[1]:HORizontal:POSition</a>	Sets or returns the math horizontal display position for FFT or (non-live) math reference waveforms
<a href="#">MATH[1]:TYPE</a>	Sets or returns the math waveform mode type

Table 2-24: Math Commands (cont.)

Command	Description
<a href="#">MATHVAR?</a>	Returns all numerical values used within math expressions
<a href="#">MATHVAR:VAR&lt;x&gt;</a>	Sets or returns numerical values you can use within math expressions

## Measurement Command Group

Use the commands in the Measurement Command Group to control the automated measurement system.

Up to four automated measurements can be displayed on the screen. In the commands, these measurement readouts are named MEAS<x>, where <x> is the measurement number.

In addition to the four displayed measurements, the measurement commands let you specify an additional measurement, IMMed. The immediate measurement has no front-panel equivalent. Immediate measurements are never displayed. Because they are computed only when needed, immediate measurements slow the waveform update rate less than displayed measurements.

Whether you use displayed or immediate measurements, use the VALue query to obtain measurement results.

Measurement commands can set and query measurement parameters. You can assign some parameters, such as waveform sources, differently for each measurement. Other parameters, such as reference levels, have only one value, which applies to all measurements.

Table 2-25: Measurement Commands

Command	Description
<a href="#">MEASUrement?</a>	Returns all measurement parameters
<a href="#">MEASUrement:CLEARSNapshot</a>	Removes the measurement snapshot display
<a href="#">MEASUrement:GATing</a>	Sets or returns the measurement gating
<a href="#">MEASUrement:IMMed?</a>	Returns all immediate measurement setup parameters
<a href="#">MEASUrement:IMMed:DElay?</a>	Returns information about the immediate delay measurement
<a href="#">MEASUrement:IMMed:DElay:DIRection</a>	Sets or returns the search direction to use for immediate delay measurements
<a href="#">MEASUrement:IMMed:DElay:EDGE&lt;x&gt;</a>	Sets or returns the slope of the edge used for immediate delay "from" and "to" waveform measurements

Table 2-25: Measurement Commands (cont.)

Command	Description
MEASUrement:IMMed:SOUrce	Sets or returns the “from” source for all single channel immediate measurements
MEASUrement:IMMed:SOUrce2	Sets or returns the source to measure “to” for phase or delay immediate measurements
MEASUrement:IMMed:TYPe	Sets or returns the type of the immediate measurement
MEASUrement:IMMed:UNIts?	Returns the units of the immediate measurement
MEASUrement:IMMed:VALue?	Returns the value of the immediate measurement
MEASUrement:INDICators?	Returns all measurement indicator parameters
MEASUrement:INDICators:HORIZ<x>?	Returns the position of the specified horizontal measurement indicator
MEASUrement:INDICators:NUMHORZ?	Returns the number of horizontal measurement indicators currently being displayed
MEASUrement:INDICators:NUMVERT?	Returns the number of vertical measurement indicators currently being displayed
MEASUrement:INDICators:STATE	Sets or returns the state of visible measurement indicators
MEASUrement:INDICators:VERT<x>?	Returns the value of the specified vertical measurement indicator
MEASUrement:MEAS<x>?	Returns all measurement parameters
MEASUrement:MEAS<x>:COUNT?	Returns the number of values accumulated since the last statistical reset
MEASUrement:MEAS<x>:DELay?	Returns the delay measurement parameters for the specified measurement
MEASUrement:MEAS<x>:DELay:DIRection	Sets or returns the search direction to use for delay measurements
MEASUrement:MEAS<x>:DELay:EDGE<x>	Sets or returns the slope of the edge to use for delay “from” and “to” waveform measurements
MEASUrement:MEAS<x>:MAXimum?	Returns the maximum value found since the last statistical reset
MEASUrement:MEAS<x>:MEAN?	Returns the mean value accumulated since the last statistical reset
MEASUrement:MEAS<x>:MINImum?	Returns the minimum value found since the last statistical reset
MEASUrement:MEAS<x>:SOURCE[1]	Sets or returns the channel from which measurements are taken

Table 2-25: Measurement Commands (cont.)

Command	Description
MEASUrement:MEAS<x>:SOURCE2	Sets or returns the channel to which measurements are sent
MEASUrement:MEAS<x>:STATE	Sets or returns whether the specified measurement slot is computed and displayed
MEASUrement:MEAS<x>:STDdev?	Returns the standard deviation of values accumulated since the last statistical reset
MEASUrement:MEAS<x>:TYPE	Sets or returns the measurement<x> type
MEASUrement:MEAS<x>:UNIts?	Returns measurement<x> units
MEASUrement:MEAS<x>:VALue?	Returns the value of measurement<x>
MEASUrement:METhod	Sets or returns the method used for calculating reference levels
MEASUrement:REFLevel?	Returns the current reference level parameters
MEASUrement:REFLevel:ABSolute:HIGH	Sets or returns the top reference level for rise time
MEASUrement:REFLevel:ABSolute:LOW	Sets or returns the low reference level for rise time
MEASUrement:REFLevel:ABSolute:MID	Sets or returns the mid reference level for measurements
MEASUrement:REFLevel:ABSolute:MID<x>	Sets or returns the mid reference level in absolute units (e.g. volts)
MEASUrement:REFLevel:ABSolute:MID2	Sets or returns the mid reference level for delay "to" measurements
MEASUrement:REFLevel:METhod	Sets or returns the method for assigning high and low reference levels
MEASUrement:REFLevel:PERCent:HIGH	Sets or returns the top reference percent level for rise time
MEASUrement:REFLevel:PERCent:LOW	Sets or returns the low reference percent level for rise time
MEASUrement:REFLevel:PERCent:MID	Sets or returns the mid reference percent level for waveform measurements
MEASUrement:REFLevel:PERCent:MID2	Sets or returns the mid reference percent level for second waveform measurements
MEASUrement:IMMed:SOUrce<x>	Sets or returns the source for the current single channel measurement
MEASUrement:MEAS<x>:SOUrce<x>	Sets or returns the source for the specified measurement.
MEASUrement:REFLevel:ABSolute:MID<x>	Sets or returns the mid reference level for the specified channel in absolute volts
MEASUrement:REFLevel:PERCent:MID<x>	Sets or returns the mid reference level for the specified channel in percent

Table 2-25: Measurement Commands (cont.)

Command	Description
<a href="#">MEASUrement:SNAPShot</a>	Displays the measurement snapshot list
<a href="#">MEASUrement:STATistics</a>	Clears or returns all of the statistics accumulated for all period measurements (MEAS1 through MEAS4)
<a href="#">MEASUrement:STATistics:MODE</a>	Turns measurement statistics on or off
<a href="#">MEASUrement:STATistics:WEIghting</a>	Controls the responsiveness of the mean and standard deviation to waveform changes

## Miscellaneous Command Group

Use the commands in the Miscellaneous Command Group to perform actions that do not fit into other categories.

Several commands and queries are common to all 488.2-1987 devices. The 488.2-1987 standard defines these commands. The common commands begin with an asterisk (\*) character.

Table 2-26: Miscellaneous Commands

Command	Description
<a href="#">AUTOSet</a>	Sets the vertical, horizontal and trigger controls to provide a stable display of the appropriate waveform. This is equivalent to pressing the front panel Autoset button
<a href="#">AUTOSet:ENable</a>	Enables or disables the autoset feature
<a href="#">CLEARMenu</a>	Clears the current menu from the display
<a href="#">DATE</a>	Sets or returns the date displayed by the oscilloscope
<a href="#">*DDT</a>	Sets or returns the commands that will be executed by the group execute trigger
<a href="#">DESkew</a>	Causes the deskew values for all channels to be set to the recommended values
<a href="#">DESkew:DISPlay</a>	Sets or returns the state of the deskew table display
<a href="#">FPAnel:PRESS</a>	Simulates the action of pressing a specified front-panel button
<a href="#">FPAnel:TURN</a>	Duplicates the action of turning a specified front-panel control knob
<a href="#">GPIBUsb:ADDress?</a>	Returns the current GPIB address
<a href="#">GPIBUsb:ID?</a>	Returns the identification string of the connected adaptor module and firmware version



Table 2-26: Miscellaneous Commands (cont.)

Command	Description
HEADer	Sets or returns the Response Header Enable State
ID?	Returns identifying information about the oscilloscope and its firmware
*IDN?	Returns the same information as the ID? command except the data is formatted according to Tektronix Codes & Formats
LANGuage	Sets or returns the user interface display language
LOCK	Sets or returns the front panel lock state
*LRN?	Returns a listing of oscilloscope settings
NEWpass	Changes the password for user protected data
PASSWord	Enables the *PUD and NEWpass set commands
REM	Specifies a comment, which is ignored by the oscilloscope
SET?	Returns a listing of oscilloscope settings
TEKSecure	Initializes both waveform and setup memories
TIME	Sets or returns the time displayed by the oscilloscope
TOTALuptime?	Returns the total number of hours that the oscilloscope has been turned on since the nonvolatile memory was last programmed
*TRG	Performs the group execute trigger (GET)
*TST?	Tests the interface and returns the status
UNLock	Unlocks front panel
USBTMC?	Returns the USBTMC information used by the USB hosts to determine the instrument interfaces
USBTMC:PRODUCTID:DECimal?	Returns the USBTMC product ID
USBTMC:PRODUCTID:HEXadecimal?	Returns the USBTMC product ID
USBTMC:SERIALnumber?	Returns the instrument serial number
USBTMC:VENDORID:DECimal?	Returns the USBTMC vendor ID
USBTMC:VENDORID:HEXadecimal?	Returns the USBTMC vendor ID
VERBose	Sets or returns the verbose state

## PictBridge Command Group

Use the commands in the PictBridge Command Group to store printer settings.

**Table 2-27: PictBridge Commands**

Command	Description
<a href="#">PICTBridge:DATEPrint</a>	Enables or disables printing the date on the print output
<a href="#">PICTBridge:DEFAULT</a>	Sets the arguments for all PICTBridge commands to their default values
<a href="#">PICTBridge:IDPrint</a>	Enables or disables printing the oscilloscope model and serial number on the print output
<a href="#">PICTBridge:IMAGESize</a>	Sets or returns the image print size
<a href="#">PICTBridge:PAPERSize</a>	Sets the output print paper size
<a href="#">PICTBridge:PAPERType</a>	Sets or returns the paper type
<a href="#">PICTBridge:PRINTQual</a>	Sets or returns the output print quality
<a href="#">USBDevice:CONFIGure</a>	Enables or disables the rear USB port for use with Pictbridge printers

## Power Command Group

Use the commands in the Power Command Group for power analysis. The power measurements include:

- Power quality
- Switching loss
- Safe operating area
- Harmonics
- Ripple
- Modulation analysis

This command group is available when the DPO4PWR application module is installed.

**Table 2-28: Power Commands**

Command	Description
<a href="#">POWER:CURRENTSource</a>	Sets or returns the current source for the power application
<a href="#">POWER:DISPlay</a>	Sets or returns the display state for the power application
<a href="#">POWER:GATESource</a>	Sets or returns the gate source for the power application

Table 2-28: Power Commands (cont.)

Command	Description
<a href="#">POWer:GATing</a>	Sets or returns the power application gating
<a href="#">POWer:HARMonics:DISPlay:SElect</a>	Sets or returns the harmonics to be displayed when the harmonics standard is None
<a href="#">POWer:HARMonics:DISPlay:TYPe</a>	Sets or returns the display type for harmonics tests
<a href="#">POWer:HARMonics:FREQRef</a>	Sets or returns the frequency reference waveform for harmonics tests
<a href="#">POWer:HARMonics:FREQRef:FIXEDFREQValue</a>	Sets or returns the fixed reference frequency value for harmonics measurements
<a href="#">POWer:HARMonics:IEC:CLAss</a>	Sets or returns the filtering class for IEC harmonics
<a href="#">POWer:HARMonics:IEC:FiLter</a>	Sets or returns the enabled state for filtering of IEC harmonics
<a href="#">POWer:HARMonics:IEC:FUNDamental</a>	Sets or returns the fundamental current for IEC harmonics
<a href="#">POWer:HARMonics:IEC:GRouPping</a>	Sets or returns the enabled state for grouping of IEC harmonics
<a href="#">POWer:HARMonics:IEC:INPUtPOWer</a>	Sets or returns the class D input power for IEC harmonics
<a href="#">POWer:HARMonics:IEC:LINEFREQuency</a>	Sets or returns the line frequency for the IEC standard
<a href="#">POWer:HARMonics:IEC:OBSPERiod</a>	Sets or returns the IEC observation period
<a href="#">POWer:HARMonics:IEC:POWERFACTOR</a>	Sets or returns the power factor for IEC harmonics
<a href="#">POWer:HARMonics:MIL:FUNDamental:CALCmethod</a>	Sets or returns the measurement method for the MIL harmonics fundamental frequency
<a href="#">POWer:HARMonics:MIL:FUNDamental:USER:CURRent</a>	Sets or returns RMS amperes for User calculation method
<a href="#">POWer:HARMonics:MIL:LINEFREQuency</a>	Sets or returns the line frequency for MIL-STD-1399 harmonics tests
<a href="#">POWer:HARMonics:MIL:POWERLEVel</a>	Sets or returns the power level for MIL-STD-1399 harmonics tests
<a href="#">POWer:HARMonics:NR_HARMonics</a>	Sets or returns the number of harmonics (a value in the range of 20 to 400) when the harmonics standard is NONE
<a href="#">POWer:HARMonics:RESults:HAR&lt;1-400&gt;:FREQuency?</a>	Returns the frequency of the harmonic

**Table 2-28: Power Commands (cont.)**

<b>Command</b>	<b>Description</b>
<code>POWer:HARMonics:RESults:HAR&lt;1-400&gt;:IECMAX?</code>	The IEC standard specifies harmonics measurements to be computed in windows of time, with each time window being nominally 200 ms. This returns the maximum of the RMS magnitude of the harmonic, computed across successive 200 ms time windows within an observation period entered by the user
<code>POWer:HARMonics:RESults:HAR&lt;1-400&gt;:LIMit?</code>	The IEC and MIL standards specify a limit for each harmonic magnitude. Returns the limit in absolute units, or as a percentage of the fundamental as specified by the standard. IEC Class C (Table 2) and MIL standards specify the limit as a percentage of the fundamental
<code>POWer:HARMonics:RESults:HAR&lt;1-400&gt;:PHASe?</code>	Returns the phase of the harmonic in degrees. The phase is measured relative to the zero-crossing of the reference waveform. When there is no reference waveform, the phase is relative to the fundamental component
<code>POWer:HARMonics:RESults:HAR&lt;1-400&gt;:RMS:ABSolute?</code>	Returns the RMS magnitude of the harmonic expressed in absolute units
<code>POWer:HARMonics:RESults:HAR&lt;1-400&gt;:RMS:PERCent?</code>	Returns the RMS magnitude of the harmonic expressed as a percentage of the fundamental
<code>POWer:HARMonics:RESults:HAR&lt;1-400&gt;:TEST:IEC:CLASSALIMit?</code>	Returns PASS, FAIL or NA. Specifies if the IEC Class A higher harmonic limit (and conditions) are met
<code>POWer:HARMonics:RESults:HAR&lt;1-400&gt;:TEST:IEC:NORMAL?</code>	Returns PASS, FAIL or NA. Specifies if the Normal IEC harmonic limits are met
<code>POWer:HARMonics:RESults:HAR&lt;1-400&gt;:TEST:IEC:POHCLIMit?</code>	Returns PASS, FAIL or NA. Specifies if the higher harmonic limit (and conditions) for the 21st and higher order odd harmonics are met
<code>POWer:HARMonics:RESults:HAR&lt;1-400&gt;:TEST:MIL:NORMAL?</code>	Returns the test result for the specified harmonic for the MIL-STD-1399 testing standard
<code>POWer:HARMonics:RESults:IEC:FUNDamental?</code>	Returns the IEC fundamental frequency
<code>POWer:HARMonics:RESults:IEC:HARM3ALTerNate?</code>	Returns the IEC harmonics test result for the 3rd harmonic: PASS, FAIL or NA
<code>POWer:HARMonics:RESults:IEC:HARM5ALTerNate?</code>	Returns the IEC harmonics test result for the 5th harmonic: PASS, FAIL or NA
<code>POWer:HARMonics:RESults:IEC:POHC?</code>	Returns the IEC POHC measurement

Table 2-28: Power Commands (cont.)

Command	Description
<a href="#">POWer:HARMonics:RESults:IEC:POHL?</a>	Returns the IEC POHL measurement
<a href="#">POWer:HARMonics:RESults:IEC:POWer?</a>	Returns the IEC input power measurement
<a href="#">POWer:HARMonics:RESults:IEC:POWerFactor?</a>	Returns the IEC power factor measurement
<a href="#">POWer:HARMonics:RESults:PASSFail?</a>	Returns the overall harmonics test result: PASS, FAIL or NA
<a href="#">POWer:HARMonics:RESults:RMS?</a>	Returns the root mean square value of the source waveform
<a href="#">POWer:HARMonics:RESults:SAVe</a>	Saves the harmonic results to the specified file in CSV format
<a href="#">POWer:HARMonics:RESults:THDF?</a>	Returns the Total Harmonic Distortion (THD) in percentage, measured as a ratio to the RMS value of the fundamental component of the source waveform
<a href="#">POWer:HARMonics:RESults:THDR?</a>	Returns the Total Harmonic Distortion (THD) in percentage, measured as a ratio to the RMS value of the source waveform
<a href="#">POWer:HARMonics:SOURce</a>	Sets or returns the source waveform for harmonics tests
<a href="#">POWer:HARMonics:STANDard</a>	Sets or returns the standard for harmonics tests
<a href="#">POWer:INDICators</a>	Sets or returns the state of the measurement indicators for the power application
<a href="#">POWer:MODulation:SOURce</a>	Sets or returns the source waveform for modulation tests
<a href="#">POWer:MODulation:TYPe</a>	Sets or returns the modulation type
<a href="#">POWer:QUALity:APPpwr?</a>	Returns the apparent power measurement
<a href="#">POWer:QUALity:DISplay:APPpwr</a>	Sets or returns the display state for the apparent power readout
<a href="#">POWer:QUALity:DISplay:FREQuency</a>	Sets or returns the display state for the frequency readout
<a href="#">POWer:QUALity:DISplay:ICRESTfactor</a>	Sets or returns the display state for the current crest factor readout
<a href="#">POWer:QUALity:DISplay:IRMS</a>	Sets or returns the display state for the rms current (IRMS) readout
<a href="#">POWer:QUALity:DISplay:PHASEangle</a>	Sets or returns the display state for the phase angle readout
<a href="#">POWer:QUALity:DISplay:POWERFACTOR</a>	Sets or returns the display state for the power factor readout
<a href="#">POWer:QUALity:DISplay:REACTpwr</a>	Sets or returns the display state for the reactive power readout

Table 2-28: Power Commands (cont.)

Command	Description
POWer:QUALity:DISplay:TRUEpwr	Sets or returns the display state for the true power readout
POWer:QUALity:DISplay:VCRESTfactor	Sets or returns the display state for the voltage crest factor readout
POWer:QUALity:DISplay:VRMS	Sets or returns the display state for the rms voltage (VRMS) readout
POWer:QUALity:FREQREference	Sets or returns the power quality frequency reference
POWer:QUALity:FREQuency?	Returns the frequency measurement
POWer:QUALity:ICRESTfactor?	Returns the current crest factor measurement
POWer:QUALity:IRMS?	Returns the rms current measurement
POWer:QUALity:PHASEangle?	Returns the phase angle measurement
POWer:QUALity:POWERFActor?	Returns the power factor measurement
POWer:QUALity:REACTpwr?	Returns the reactive power measurement
POWer:QUALity:TRUEpwr?	Returns the true power measurement
POWer:QUALity:VRMS?	Returns the rms voltage measurement
POWer:REFLevel:ABSolute	Sets the reference levels to their default unit values
POWer:REFLevel:ABSolute:HIGH	Sets or returns the top reference level for rise time
POWer:REFLevel:ABSolute:LOW	Sets or returns the low reference level for rise time
POWer:REFLevel:ABSolute:MID<1-3>	Sets or returns the mid reference level for measurements
POWer:REFLevel:HYSTeresis	Sets or returns the measurement reference level hysteresis value
POWer:REFLevel:METHod	Sets or returns the method used to calculate the 0% and 100% reference level
POWer:REFLevel:PERCent	Sets the reference levels to the default percentage values
POWer:REFLevel:PERCent:HIGH	Sets or returns the top reference percent level for rise time
POWer:REFLevel:PERCent:LOW	Sets or returns the low reference percent level for rise time
POWer:REFLevel:PERCent:MID<1-3>	Sets or returns the mid reference percent level for waveform measurements
POWer:RIPple	Sets the vertical offset of the source waveform
POWer:RIPple:RESults:AMPLitude?	Returns the peak-to-peak ripple measurement

Table 2-28: Power Commands (cont.)

Command	Description
<a href="#">POWer:RIPPlE:RESults:MAX?</a>	Returns the maximum of the peak-to-peak ripple measurements
<a href="#">POWer:RIPPlE:RESults:MEAN?</a>	Returns the mean of the peak-to-peak ripple measurements
<a href="#">POWer:RIPPlE:RESults:MIN?</a>	Returns the minimum of the peak-to-peak ripple measurement
<a href="#">POWer:RIPPlE:RESults:STDdev?</a>	Returns the standard deviation of the peak-to-peak ripple measurements
<a href="#">POWer:RIPPlE:SOUrce</a>	Sets or returns the source waveform for ripple tests
<a href="#">POWer:SOA:LINear:XMAX</a>	Sets or returns the user XMAX value for use in linear SOA calculations
<a href="#">POWer:SOA:LINear:XMIN</a>	Sets or returns the user XMIN value for use in linear SOA calculations
<a href="#">POWer:SOA:LINear:YMAX</a>	Sets or returns the user YMAX value for use in linear SOA calculations
<a href="#">POWer:SOA:LINear:YMIN</a>	Sets or returns the user YMIN value for use in linear SOA calculations
<a href="#">POWer:SOA:LOG:XMAX</a>	Sets or returns the user XMAX value for use in log SOA calculations
<a href="#">POWer:SOA:LOG:XMIN</a>	Sets or returns the user XMIN value for use in log SOA calculations
<a href="#">POWer:SOA:LOG:YMAX</a>	Sets or returns the user YMAX value for use in log SOA calculations
<a href="#">POWer:SOA:LOG:YMIN</a>	Sets or returns the user YMIN value for use in log SOA calculations
<a href="#">POWer:SOA:MASK:DEFine</a>	Sets or returns the X (Volts) and Y (Amps) coordinates of the current SOA mask
<a href="#">POWer:SOA:MASK:MAXAmps</a>	Sets or returns the maximum current applied to SOA mask testing
<a href="#">POWer:SOA:MASK:MAXVolts</a>	Sets or returns the maximum voltage applied to SOA mask testing
<a href="#">POWer:SOA:MASK:MAXWatts</a>	Sets or returns the maximum power applied to SOA mask testing
<a href="#">POWer:SOA:MASK:NR_PT?</a>	Returns the number of mask points defined
<a href="#">POWer:SOA:MASK:STATe</a>	Sets or returns the state of the mask for SOA calculations
<a href="#">POWer:SOA:MASK:STOPOnviol</a>	Sets or returns the enabled state of the mask stop on violation condition
<a href="#">POWer:SOA:PLOTTPe</a>	Sets or returns the SOA plot type
<a href="#">POWer:SOA:RESult:FAILures:QTY?</a>	Returns the number of failures in the test

Table 2-28: Power Commands (cont.)

Command	Description
POWer:SOA:RESult:NUMAcq?	Returns the number of acquisitions in the test
POWer:SOA:RESult:STATe?	Returns the pass/fail state of the SOA test
POWer:STATIstics	Clears all the accumulated statistics of all measurements
POWer:STATIstics:MODE	Enables or disables the display of the measurement statistics
POWer:STATIstics:WEIghting	Sets the number of samples which are included for the statistics computations for mean and the standard deviation
POWer:SWLoss:CONDCALCmethod	Sets or returns the power application switching loss conduction calculation method
POWer:SWLoss:CONDUction:ENERGY:MAX?	Returns the maximum conduction energy for the switching loss calculation
POWer:SWLoss:CONDUction:ENERGY:MEAN?	Returns the mean conduction energy for the switching loss calculation
POWer:SWLoss:CONDUction:ENERGY:MIN?	Returns the minimum conduction energy for the switching loss calculation
POWer:SWLoss:CONDUction:POWER:MAX?	Returns the maximum conduction power for the switching loss calculation
POWer:SWLoss:CONDUction:POWER:MEAN?	Returns the mean conduction power for the switching loss calculation
POWer:SWLoss:CONDUction:POWER:MIN?	Returns the minimum conduction power for the switching loss calculation
POWer:SWLoss:DISPlay	Sets or returns the display selection for switching loss results
POWer:SWLoss:GATe:POLarity	Sets or returns the switching loss gate polarity
POWer:SWLoss:GATe:TURNON	Sets or returns the gate turn on level for switching loss power measurements
POWer:SWLoss:NUMCYCles?	Returns the number of cycles counted for the switching loss calculation
POWer:SWLoss:RDSON	Sets or returns RDSON value for use in switching loss calculations when the conduction calculation method is RDSON
POWer:SWLoss:REFLevel:ABSolute:GATEMid	Sets or returns the mid voltage reference level used in switching loss power measurements in volts
POWer:SWLoss:REFLevel:ABSolute:LOWCurrent	Sets or returns the low current reference level used in switching loss power measurements in amperes



Table 2-28: Power Commands (cont.)

Command	Description
POWer:SWLoss:REFLevel:ABSolute: LOWVoltage	Sets or returns the low voltage reference level used in switching loss power measurements in volts
POWer:SWLoss:REFLevel:PERCent: GATEMid	Sets or returns the mid voltage reference level used in switching loss power measurements in percentage
POWer:SWLoss:REFLevel:PERCent: LOWCurrent	Sets or returns the low current reference level used in switching loss power measurements in percentage
POWer:SWLoss:REFLevel:PERCent: LOWVoltage	Sets or returns the low voltage reference level used in switching loss power measurements in percentage
POWer:SWLoss:TOFF:ENERGY:MAX?	Returns the maximum Toff energy switching loss calculation
POWer:SWLoss:TOFF:ENERGY:MEAN?	Returns the mean Toff energy switching loss calculation
POWer:SWLoss:TOFF:ENERGY:MIN?	Returns the minimum Toff energy switching loss calculation
POWer:SWLoss:TOFF:POWER:MAX?	Returns the maximum Toff power switching loss calculation
POWer:SWLoss:TOFF:POWER:MEAN?	Returns the mean Toff power switching loss calculation
POWer:SWLoss:TOFF:POWER:MIN?	Returns the minimum Toff power switching loss calculation
POWer:SWLoss:TON:ENERGY:MAX?	Returns the maximum Ton energy switching loss calculation
POWer:SWLoss:TON:ENERGY:MEAN?	Returns the mean Ton energy switching loss calculation
POWer:SWLoss:TON:ENERGY:MIN?	Returns the minimum Ton energy switching loss calculation
POWer:SWLoss:TON:POWER:MAX?	Returns the maximum Ton power switching loss calculation
POWer:SWLoss:TON:POWER:MEAN?	Returns the mean Ton power switching loss calculation
POWer:SWLoss:TON:POWER:MIN?	Returns the minimum Ton power switching loss calculation
POWer:SWLoss:TOTal:ENERGY:MAX?	Returns the maximum total energy switching loss calculation
POWer:SWLoss:TOTal:ENERGY:MEAN?	Returns the mean total energy switching loss calculation
POWer:SWLoss:TOTal:ENERGY:MIN?	Returns the minimum total energy switching loss calculation

Table 2-28: Power Commands (cont.)

Command	Description
POWer:SWLoss:TOTal:POWER:MAX?	Returns the maximum total power switching loss calculation
POWer:SWLoss:TOTal:POWER:MEAN?	Returns the mean total power switching loss calculation
POWer:SWLoss:TOTal:POWER:MIN?	Returns the minimum total power switching loss calculation
POWer:SWLoss:VCESat	Sets or returns VCESAT value for use in switching loss calculations when the conduction calculation method is VCESAT
POWer:TYPe	Sets or returns the power application measurement type
POWer:VOLTAGESource	Sets or returns the voltage source for the power application

## Save and Recall Command Group

Use the commands in the Save and Recall Command Group to store and retrieve waveforms and settings. When you save a setup, you save all the settings of the oscilloscope. When you recall a setup, the oscilloscope restores itself to the state it was in when you originally saved the setting.

Table 2-29: Save and Recall Commands

Command	Description
FACTory	Resets the oscilloscope to factory default settings
*RCL	Recalls saved oscilloscope settings
RECAI:SETUp	Recalls saved oscilloscope settings
RECAI:WAVEform	Recalls a stored waveform to a reference location
*SAV	Stores the state of the oscilloscope to a specified memory location
SAVe:ASSIgn:TYPe	Sets or returns the assignment of the save button
SAVe:EVENTable:BUS<x>	Saves event table data from bus<x> to a specified file
SAVe:IMAGe	Saves a capture of the screen image to the specified file

Table 2-29: Save and Recall Commands (cont.)

Command	Description
<a href="#">SAVE:IMAGe:FILEFormat</a>	Sets or returns the file format to use for saving screen images. The file format is not automatically determined by the file name extension. You need to choose a file name with an extension which is consistent with the selected file format
<a href="#">SAVE:IMAGe:INKSaver</a>	Sets or returns the current inksaver setting for the <a href="#">SAVE:IMAGe</a> command
<a href="#">SAVE:IMAGe:LAYout</a>	Sets or returns the layout to use for saved screen images
<a href="#">SAVE:SETUp</a>	Saves the state of the oscilloscope to a specified memory location or file
<a href="#">SAVE:WAVEform</a>	Saves a waveform to one of the reference memory locations or a file
<a href="#">SAVE:WAVEform:FILEFormat</a>	Sets or returns the format for saved waveforms
<a href="#">SAVE:WAVEform:GATIng</a>	Specifies whether save waveform operations should save the entire waveform or a specified portion of the waveform
<a href="#">SETUP&lt;x&gt;:DATE?</a>	Returns the date when the specified oscilloscope setup was saved
<a href="#">SETUP&lt;x&gt;:LABEL</a>	Sets or returns the specified oscilloscope setup label
<a href="#">SETUP&lt;x&gt;:TIME?</a>	Returns the time when the specified oscilloscope setup was saved

## Search Command Group

Use the commands in the Search Commands Group to seek out information in waveform records.

### Search Commands

Command	Description
<a href="#">SEARCH?</a>	Returns all search-related settings
<a href="#">SEARCH:SEARCH&lt;x&gt;:COpy</a>	Copies the search criteria to the trigger, or the trigger criteria to the search.
<a href="#">SEARCH:SEARCH&lt;x&gt;:STATE</a>	Sets the search state to on or off
<a href="#">SEARCH:SEARCH&lt;x&gt;:TOTAL?</a>	Returns the total number of matches for search <x>
<a href="#">SEARCH:SEARCH&lt;x&gt;:TRIGger:A:BUS?</a>	Returns the search trigger bus type

## Search Commands (cont.)

Command	Description
SEARCH:SEARCH<x>:TRIGger:A:BUS:B<1-4>:AUDio:CONDition	Sets or returns the search trigger condition for the AUDIO bus: Start of Frame or Data
SEARCH:SEARCH<x>:TRIGger:A:BUS:B<1-4>:AUDio:DATa:HIVALue	Sets or returns the search trigger data upper word for the AUDIO bus
SEARCH:SEARCH<x>:TRIGger:A:BUS:B<1-4>:AUDio:DATa:OFFSet	Sets or returns the search trigger data offset for the AUDIO bus
SEARCH:SEARCH<x>:TRIGger:A:BUS:B<1-4>:AUDio:DATa:QUALifier	Sets or returns the search trigger data qualifier for the AUDIO bus
SEARCH:SEARCH<x>:TRIGger:A:BUS:B<1-4>:AUDio:DATa:VALue	Sets or returns the search trigger data lower word for the AUDIO bus
SEARCH:SEARCH<x>:TRIGger:A:BUS:B<1-4>:AUDio:DATa:WORD	Sets or returns the search trigger data alignment for the AUDIO bus
SEARCH:SEARCH<x>:TRIGger:A:BUS:B<x>:CAN:CONDition	Sets or returns the search condition for CAN search
SEARCH:SEARCH<x>:TRIGger:A:BUS:B<x>:CAN:DATa:DIRection	Sets or returns the CAN search condition to be valid on a READ, WRITE or either
SEARCH:SEARCH<x>:TRIGger:A:BUS:B<x>:CAN:DATa:QUALifier	Sets or returns the CAN data qualifier
SEARCH:SEARCH<x>:TRIGger:A:BUS:B<x>:CAN:DATa:SIZE	Sets or returns the length of the data string in bytes to be used for CAN search
SEARCH:SEARCH<x>:TRIGger:A:BUS:B<x>:CAN:DATa:VALue	Sets or returns the binary data string to be used for CAN search
SEARCH:SEARCH<x>:TRIGger:A:BUS:B<x>:CAN:FRAMeType	Sets or returns the CAN Frame Type to be used
SEARCH:SEARCH<x>:TRIGger:A:BUS:B<x>:CAN{:IDentifier :ADDRess}:MODE	Sets or returns the CAN addressing mode to standard or extended format
SEARCH:SEARCH<x>:TRIGger:A:BUS:B<x>:CAN{:IDentifier :ADDRess}:VALue	Sets or returns the binary address string to be used for CAN search
SEARCH:SEARCH<x>:TRIGger:A:BUS:B<x>:FLEXray:CONDition	Sets or returns the trigger condition for FLEXRAY
SEARCH:SEARCH<x>:TRIGger:A:BUS:B<x>:FLEXray:CYCLEcount:HIVALue	Sets or returns the binary data string to be used for FLEXRAY cycle count high value
SEARCH:SEARCH<x>:TRIGger:A:BUS:B<x>:FLEXray:CYCLEcount:QUALifier	Sets or returns the FLEXRAY cycle count qualifier
SEARCH:SEARCH<x>:TRIGger:A:BUS:B<x>:FLEXray:CYCLEcount:VALue	Sets or returns the binary data string to be used for FLEXRAY cycle count low value
SEARCH:SEARCH<x>:TRIGger:A:BUS:B<x>:FLEXray:DATa:HIVALue	Sets or returns the high binary data string
SEARCH:SEARCH<x>:TRIGger:A:BUS:B<x>:FLEXray:DATa:OFFSet	Sets or returns the offset of the data string in bytes
SEARCH:SEARCH<x>:TRIGger:A:BUS:B<x>:FLEXray:DATa:QUALifier	Sets or returns the FLEXRAY data qualifier

## Search Commands (cont.)

Command	Description
SEARCH:SEARCH<x>:TRIGger:A:BUS:B<x>:FLEXray:DATA:SIZE	Sets or returns the length of the data string in bytes
SEARCH:SEARCH<x>:TRIGger:A:BUS:B<x>:FLEXray:DATA:VALue	Sets or returns the low binary data string
SEARCH:SEARCH<x>:TRIGger:A:BUS:B<x>:FLEXray:EOFTYPE	Sets or returns the end of frame type
SEARCH:SEARCH<x>:TRIGger:A:BUS:B<x>:FLEXray:ERRTYPE	Sets or returns the error type
SEARCH:SEARCH<x>:TRIGger:A:BUS:B<x>:FLEXray:FRAMEID:HIVALue	Sets or returns the binary data string used for FLEXRAY frame ID high value
SEARCH:SEARCH<x>:TRIGger:A:BUS:B<x>:FLEXray:FRAMEID:QUALifier	Sets or returns the FLEXRAY frame ID qualifier
SEARCH:SEARCH<x>:TRIGger:A:BUS:B<x>:FLEXray:FRAMEID:VALue	Sets or returns the binary data string to be used for FLEXRAY frame ID low value
SEARCH:SEARCH<x>:TRIGger:A:BUS:B<x>:FLEXray:FRAMEType	Sets or returns the frame type
SEARCH:SEARCH<x>:TRIGger:A:BUS:B<x>:FLEXray:HEADER:CRC	Sets or returns the CRC portion of the binary header string
SEARCH:SEARCH<x>:TRIGger:A:BUS:B<x>:FLEXray:HEADER:CYCLEcount	Sets or returns the cycle count portion of the binary header string
SEARCH:SEARCH<x>:TRIGger:A:BUS:B<x>:FLEXray:HEADER:FRAMEID	Sets or returns the frame id portion of the binary header string
SEARCH:SEARCH<x>:TRIGger:A:BUS:B<x>:FLEXray:HEADER:INDBits	Sets or returns the indicator bits portion of the binary header string
SEARCH:SEARCH<x>:TRIGger:A:BUS:B<x>:FLEXray:HEADER:PAYLength	Sets or returns the payload length portion of the binary header string
SEARCH:SEARCH<x>:TRIGger:A:BUS:B<x>:I2C:ADDRess:MODE	Sets or returns the I2C address mode to 7 or 10-Bit
SEARCH:SEARCH<x>:TRIGger:A:BUS:B<x>:I2C:ADDRess:TYPE	Sets or returns the I2C address type to I2C special addresses
SEARCH:SEARCH<x>:TRIGger:A:BUS:B<x>:I2C:ADDRess:VALue	Sets or returns the binary address string to be used for I2C search
SEARCH:SEARCH<x>:TRIGger:A:BUS:B<x>:I2C:CONDition	Sets or returns the search condition for I2C search
SEARCH:SEARCH<x>:TRIGger:A:BUS:B<x>:I2C:DATA:DIRection	Sets or returns the I2C search condition to be valid on a READ, WRITE or either
SEARCH:SEARCH<x>:TRIGger:A:BUS:B<x>:I2C:DATA:SIZE	Sets or returns the length of the data string in bytes to be used for I2C search
SEARCH:SEARCH<x>:TRIGger:A:BUS:B<x>:I2C:DATA:VALue	Sets or returns the binary data string to be used for I2C search
SEARCH:SEARCH<x>:TRIGger:A:BUS:B<x>:LIN:CONDition	Sets or returns the search condition for a LIN search

## Search Commands (cont.)

Command	Description
SEARCH:SEARCH<x>:TRIGger:A:BUS: B<x>:LIN:DATA:HIVALue	Sets or returns the binary data string
SEARCH:SEARCH<x>:TRIGger:A:BUS: B<x>:LIN:DATA:QUALifier	Sets or returns the LIN data qualifier
SEARCH:SEARCH<x>:TRIGger:A:BUS: B<x>:LIN:DATA:SIZE	Sets or returns the length of the data string in bytes
SEARCH:SEARCH<x>:TRIGger:A:BUS: B<x>:LIN:DATA:VALue	Sets or returns the binary data string used for a LIN search
SEARCH:SEARCH<x>:TRIGger:A:BUS: B<x>:LIN:ERRTYPE	Sets or returns the error type used for a LIN Search
SEARCH:SEARCH<x>:TRIGger:A:BUS: B<x>:LIN:IDentifier:VALue	Sets or returns the binary address string used for LIN search
SEARCH:SEARCH<x>:TRIGger:A:BUS: B<x>:PARAllel:VALue	Sets or returns the binary data string to be used for a Parallel search
SEARCH:SEARCH<x>:TRIGger:A:BUS: B<x>:RS232C:CONDition	Sets or returns the trigger condition for an RS-232 trigger
SEARCH:SEARCH<x>:TRIGger:A:BUS: B<x>:RS232C:RX:DATA:SIZE	Sets or returns the length of the data string for an RS-232 trigger, if the trigger condition is RX
SEARCH:SEARCH<x>:TRIGger:A:BUS: B<x>:RS232C:RX:DATA:VALue	Sets or returns the binary data string for an RS-232 trigger, if the condition involves RX
SEARCH:SEARCH<x>:TRIGger:A:BUS: B<x>:RS232C:TX:DATA:SIZE	Sets or returns the length of the data string to be used for an RS-232 Trigger, if the Trigger condition is TX
SEARCH:SEARCH<x>:TRIGger:A:BUS: B<x>:RS232C:TX:DATA:VALue	Sets or returns the binary data string to be used for an RS-232 trigger, if the condition involves RX
SEARCH:SEARCH<x>:TRIGger:A:BUS: B<x>:SPI:CONDition	Sets or returns the search condition for SPI search
SEARCH:SEARCH<x>:TRIGger:A:BUS: B<x>:SPI:DATA{MISO IN}:VALue	Sets or returns the binary data string to be used for SPI search if the search condition is MISO or MISOMOSI
SEARCH:SEARCH<x>:TRIGger:A:BUS: B<x>:SPI:DATA{MOSI OUT}:VALue	Sets or returns the binary data string for an SPI search if the search condition is MISO or MISOMOSI
SEARCH:SEARCH<x>:TRIGger:A:BUS: B<x>:SPI:DATA:SIZE	Sets or returns the length of the data string in bytes to be used for SPI search
SEARCH:SEARCH<x>:TRIGger:A:BUS: SOUrce	Sets or returns the bus for a serial search
SEARCH:SEARCH<x>:TRIGger:A:EDGE: SLOpe	Sets or returns the slope for an edge search
SEARCH:SEARCH<x>:TRIGger:A:EDGE: SOUrce	Sets or returns the source waveform for an edge search

## Search Commands (cont.)

Command	Description
SEARCH:SEARCH<x>:TRIGger:A:LEVel	Sets or returns the level for an edge search
SEARCH:SEARCH<x>:TRIGger:A:LEVel:CH<x>	Sets or returns the level for an edge search of the specified channel
SEARCH:SEARCH<x>:TRIGger:A:LEVel:MATH	Sets or returns the math waveform level for edge search
SEARCH:SEARCH<x>:TRIGger:A:LEVel:REF<x>	Sets or returns the reference waveform level for edge search
SEARCH:SEARCH<x>:TRIGger:A:LOGic:FUNCTion	Sets or returns the logic operator for the logic search
SEARCH:SEARCH<x>:TRIGger:A:LOGic:INPut:CH<x>	Sets or returns the Boolean logic criteria for the logic search
SEARCH:SEARCH<x>:TRIGger:A:LOGic:INPut:CLOCK:EDGE	Sets or returns whether the clock edge is rise or fall for a logic search
SEARCH:SEARCH<x>:TRIGger:A:LOGic:INPut:CLOCK:SOUrce	Sets or returns the clock source definition for logic search
SEARCH:SEARCH<x>:TRIGger:A:LOGic:INPut:D<x>	Sets or returns the criteria for a logic search to determine where to place a mark for digital channel <x>
SEARCH:SEARCH<x>:TRIGger:A:LOGic:INPut:MATH	Sets or returns the Boolean logic criteria for the logic search
SEARCH:SEARCH<x>:TRIGger:A:LOGic:INPut:REF<x>	Sets or returns the Boolean logic criteria for the logic search
SEARCH:SEARCH<x>:TRIGger:A:LOGic:PATtern:INPut:CH<x>	Sets or returns the Boolean logic criteria for the logic search
SEARCH:SEARCH<x>:TRIGger:A:LOGic:PATtern:INPut:D<x>	Sets or returns the criteria for a pattern search to determine where to place a mark for digital channel <x>
SEARCH:SEARCH<x>:TRIGger:A:LOGic:PATtern:INPut:MATH	Sets or returns the Boolean logic criteria for the logic search
SEARCH:SEARCH<x>:TRIGger:A:LOGic:PATtern:INPut:REF<x>	Sets or returns the Boolean logic criteria for the logic search
SEARCH:SEARCH<x>:TRIGger:A:LOGic:PATtern:WHEn	Sets or returns the condition for generating a logic pattern search
SEARCH:SEARCH<x>:TRIGger:A:LOGic:PATtern:WHEn:LESSLimit	Sets or returns the maximum time that the selected pattern may be true
SEARCH:SEARCH<x>:TRIGger:A:LOGic:PATtern:WHEn:MORELimit	Sets or returns the minimum time that the selected pattern may be true
SEARCH:SEARCH<x>:TRIGger:A:LOGic:THReshold:CH<x>	Sets or returns the channel threshold level for an logic search
SEARCH:SEARCH<x>:TRIGger:A:LOGic:THReshold:MATH	Sets or returns the math waveform threshold level for logic search

## Search Commands (cont.)

Command	Description
SEARCH:SEARCH<x>:TRIGger:A:LOGic:THReshold:REF<x>	Sets or returns the reference waveform threshold level for logic search
SEARCH:SEARCH<x>:TRIGger:A:LOWerthreshold:CH<x>	Sets or returns the lower waveform threshold level for all channel waveform searches
SEARCH:SEARCH<x>:TRIGger:A:LOWerthreshold:MATH	Sets or returns the lower waveform threshold level for all math waveform searches
SEARCH:SEARCH<x>:TRIGger:A:LOWerthreshold:REF<x>	Sets or returns the lower waveform threshold level for all reference waveform searches
SEARCH:SEARCH<x>:TRIGger:A:PULSEWidth:POLarity	Sets or returns the polarity for a pulse search
SEARCH:SEARCH<x>:TRIGger:A:PULSEWidth:SOUrce	Sets or returns the source waveform for a pulse search
SEARCH:SEARCH<x>:TRIGger:A:PULSEWidth:WHEn	Sets or returns the condition for generating a pulse width search
SEARCH:SEARCH<x>:TRIGger:A:PULSEWidth:WIDth	Sets or returns the pulse width setting for a pulse width search
SEARCH:SEARCH<x>:TRIGger:A:RUNT:POLarity	Sets or returns the polarity setting for a runt search
SEARCH:SEARCH<x>:TRIGger:A:RUNT:SOUrce	Sets or returns the source setting for a runt search
SEARCH:SEARCH<x>:TRIGger:A:RUNT:WHEn	sets or returns the condition setting for a runt search
SEARCH:SEARCH<x>:TRIGger:A:RUNT:WIDth	Sets or returns the width setting for a runt search
SEARCH:SEARCH<x>:TRIGger:A:SETHold:CLOCK:EDGE	Sets or returns the clock slope setting for a setup/hold search
SEARCH:SEARCH<x>:TRIGger:A:SETHold:CLOCK:SOUrce	Sets or returns the clock source setting for an setup/hold search
SEARCH:SEARCH<x>:TRIGger:A:SETHold:CLOCK:THReshold	Sets or returns the clock threshold setting for an setup/hold search
SEARCH:SEARCH<x>:TRIGger:A:SETHold:DATA:SOUrce	Sets or returns the data source setting for an setup/hold search
SEARCH:SEARCH<x>:TRIGger:A:SETHold:DATA:THReshold	Sets or returns the data threshold setting for an setup/hold search
SEARCH:SEARCH<x>:TRIGger:A:SETHold:HOLDTime	Sets or returns the hold time setting for an setup/hold search
SEARCH:SEARCH<x>:TRIGger:A:SETHold:SETTime	Sets or returns the setup time setting for an setup/hold search
SEARCH:SEARCH<x>:TRIGger:A:SETHold:THReshold:CH<x>	Sets or returns the trigger search setup and hold threshold for the selected channel
SEARCH:SEARCH<x>:TRIGger:A:SETHold:THReshold{MATH :MATH1}	Sets or returns the trigger search setup and hold threshold for the math waveform



## Search Commands (cont.)

Command	Description
SEARCH:SEARCH<x>:TRIGger:A:SETHold:THReshold:REF<x>	Sets or returns the trigger search setup and hold threshold for the selected reference waveform
SEARCH:SEARCH<x>:TRIGger:A{:TRANSition :RISEFall}:DELTime	Sets or returns the transition time setting for an transition search
SEARCH:SEARCH<x>:TRIGger:A{:TRANSition :RISEFall}:POLarity	Sets or returns the polarity setting for an transition search
SEARCH:SEARCH<x>:TRIGger:A{:TRANSition :RISEFall}:SOUrce	Sets or returns the source setting for an transition search
SEARCH:SEARCH<x>:TRIGger:A{:TRANSition :RISEFall}:WHEn	Sets or returns the condition setting for an transition search
SEARCH:SEARCH<x>:TRIGger:A:TYPE	Sets or returns the trigger type setting for a search
SEARCH:SEARCH<x>:TRIGger:A:UPPerthreshold:CH<x>	Sets or returns the waveform upper threshold level for all channel waveform searches
SEARCH:SEARCH<x>:TRIGger:A:UPPerthreshold:MATH	Sets or returns the waveform upper threshold level for all math waveform searches
SEARCH:SEARCH<x>:TRIGger:A:UPPerthreshold:REF<x>	Sets or returns the waveform upper threshold level for all reference waveform searches

## Status and Error Command Group

Use the commands in the Status and Error Command Group to determine the status of the oscilloscope and control events.

Several commands and queries used with the oscilloscope are common to all IEEE488.2 compliant devices. The IEEE Std 488.2-1987 defines these commands and queries. The common commands begin with an asterisk (\*) character.

Table 2-30: Status and Error Commands

Command	Description
ALLEV?	Returns all events and their messages
BUSY?	Returns oscilloscope status
*CLS	Clears status
DESE	Sets or returns the bits in the Device Event Status Enable Register
*ESE	Sets or returns the bits in the Event Status Enable Register
*ESR?	Returns the contents of the Standard Event Status Register
EVENT?	Returns event code from the event queue

**Table 2-30: Status and Error Commands (cont.)**

<b>Command</b>	<b>Description</b>
<a href="#">EVMsg?</a>	Returns event code, message from the event queue
<a href="#">EVQty?</a>	Return number of events in the event queue
<a href="#">*OPC</a>	Generates the operation complete message in the standard event status register when all pending operations are finished Or returns "1" when all current operations are finished
<a href="#">*PSC</a>	Sets or returns the power on status flag
<a href="#">*PUD</a>	Sets or returns a string of protected user data
<a href="#">*RST</a>	Resets the oscilloscope to factory default settings
<a href="#">*SRE</a>	Sets or returns the bits in the Service Request Enable Register
<a href="#">*STB?</a>	Returns the contents of the Status Byte Register
<a href="#">*WAI</a>	Prevents the oscilloscope from executing further commands until all pending operations finish

## Trigger Command Group

Use the commands in the Trigger Command Group to control all aspects of triggering for the oscilloscope.

There are two triggers: A and B. Where appropriate, this command set has parallel construction between triggers.

You can set the A or B triggers to edge mode. Edge triggering lets you display a waveform at or near the point where the signal passes through a voltage level of your choosing.

You can also set A triggers to pulse, logic, or video modes. With pulse triggering, the oscilloscope triggers whenever it detects a pulse of a certain width or height. Logic triggering lets you logically combine the signals on one or channels. The oscilloscope then triggers when it detects a certain combination of signal levels. Video triggering enables you to trigger on the most common Standard Definition video standards.

**Table 2-31: Trigger Commands**

<b>Command</b>	<b>Description</b>
<a href="#">TRIGger</a>	Forces a trigger event to occur

Table 2-31: Trigger Commands (cont.)

Command	Description
TRIGger:A	Sets A trigger level to 50% or returns current A trigger parameters
TRIGger:A:BUS	Sets or returns the serial trigger type
TRIGger:A:BUS:B<1-4>:AUDio:CONDition	Sets or returns the trigger condition for the AUDIO bus: Start of Frame or Data
TRIGger:A:BUS:B<1-4>:AUDio:DATA:HIVALue	Sets or returns the trigger data upper word for the AUDIO bus
TRIGger:A:BUS:B<1-4>:AUDio:DATA:OFFSet	Sets or returns the trigger data offset for the AUDIO bus
TRIGger:A:BUS:B<1-4>:AUDio:DATA:QUALifier	Sets or returns the trigger data qualifier for the AUDIO bus
TRIGger:A:BUS:B<1-4>:AUDio:DATA:VALue	Sets or returns the trigger data lower word for the AUDIO bus
TRIGger:A:BUS:B<1-4>:AUDio:DATA:WORD	Sets or returns the trigger data alignment for the AUDIO bus.
TRIGger:A:BUS:B<x>:CAN:CONDition	Sets or returns the CAN condition
TRIGger:A:BUS:B<x>:CAN:DATA:DIRection	Sets or returns the CAN trigger condition to be valid on a READ, WRITE, or either
TRIGger:A:BUS:B<x>:CAN:DATA:QUALifier	Sets or returns the CAN data qualifier
TRIGger:A:BUS:B<x>:CAN:DATA:SIZE	Sets or returns the length of the data string in bytes to be used for CAN trigger
TRIGger:A:BUS:B<x>:CAN:DATA:VALue	Sets or returns the binary data string to be used for CAN trigger
TRIGger:A:BUS:B<x>:CAN:FRAMEtype	Sets or returns the CAN trigger frame type
TRIGger:A:BUS:B<x>:CAN{:IDentifier :ADDRess}:MODE	Sets or returns the CAN addressing mode
TRIGger:A:BUS:B<x>:CAN{:IDentifier :ADDRess}:VALue	Sets or returns the binary address string used for the CAN trigger

**Table 2-31: Trigger Commands (cont.)**

<b>Command</b>	<b>Description</b>
TRIGger:A:BUS:B<x>:FLEXray:CONDition	Sets or returns the trigger condition for FLEXRAY
TRIGger:A:BUS:B<x>:FLEXray:CYCLEcount:HIVALue	Sets or returns the binary data string to be used for FLEXRAY cycle count high value
TRIGger:A:BUS:B<x>:FLEXray:CYCLEcount:QUALifier	Sets or returns the FLEXRAY cycle count qualifier
TRIGger:A:BUS:B<x>:FLEXray:CYCLEcount:VALue	Sets or returns the binary data string to be used for FLEXRAY cycle count low value
TRIGger:A:BUS:B<x>:FLEXray:DATA:HIVALue	Sets or returns the high binary data string to be used for FLEXRAY trigger
TRIGger:A:BUS:B<x>:FLEXray:DATA:OFFSet	Sets or returns the offset of the data string in bytes
TRIGger:A:BUS:B<x>:FLEXray:DATA:QUALifier	Sets or returns the FLEXRAY data qualifier
TRIGger:A:BUS:B<x>:FLEXray:DATA:SIZE	Sets or returns the length of the data string in bytes
TRIGger:A:BUS:B<x>:FLEXray:DATA:VALue	Sets or returns the low binary data string to be used for FLEXRAY trigger condition
TRIGger:A:BUS:B<x>:FLEXray:EOFTYPE	Sets or returns the end of file type
TRIGger:A:BUS:B<x>:FLEXray:ERRTYPE	Sets or returns the error type
TRIGger:A:BUS:B<x>:FLEXray:FRAMEID:HIVALue	Sets or returns the binary data string to be used for FLEXRAY frame ID high value
TRIGger:A:BUS:B<x>:FLEXray:FRAMEID:QUALifier	Sets or returns the FLEXRAY frame ID qualifier
TRIGger:A:BUS:B<x>:FLEXray:FRAMEID:VALue	Sets or returns the binary data string to be used for FLEXRAY frame ID low value
TRIGger:A:BUS:B<x>:FLEXray:FRAMEType	Sets or returns the frame type
TRIGger:A:BUS:B<x>:FLEXray:HEADER:CRC	Sets or returns the CRC portion of the binary header string

Table 2-31: Trigger Commands (cont.)

Command	Description
TRIGger:A:BUS:B<x>:FLEXray:HEADER:CYCLEcount	Sets or returns the cycle count portion of the binary header string
TRIGger:A:BUS:B<x>:FLEXray:HEADER:FRAMEID	Sets or returns the frame id portion of the binary header string
TRIGger:A:BUS:B<x>:FLEXray:HEADER:INDBits	Sets or returns the indicator bits portion of the binary header string
TRIGger:A:BUS:B<x>:FLEXray:HEADER:PAYLength	Sets or returns the payload length portion of the binary header string
TRIGger:A:BUS:B<x>:I2C:ADDRess:MODE	Sets or returns the I2C address mode to 7 or 10-bit
TRIGger:A:BUS:B<x>:I2C:ADDRess:TYPE	Sets or returns the I2C address type to USER
TRIGger:A:BUS:B<x>:I2C:ADDRess:VALue	Sets or returns the binary address string used for the I2C trigger
TRIGger:A:BUS:B<x>:I2C:CONDition	Sets or returns the trigger condition for I2C trigger
TRIGger:A:BUS:B<x>:I2C:DATA:DIRection	Sets or returns the I2C trigger condition valid on a READ, WRITE, or either
TRIGger:A:BUS:B<x>:I2C:DATA:SIZE	Sets or returns the length of the data string in bytes to be used for I2C trigger
TRIGger:A:BUS:B<x>:I2C:DATA:VALue	Sets or returns the binary data string used for I2C triggering
TRIGger:A:BUS:B<x>:LIN:CONDition	Sets or returns the trigger condition for LIN
TRIGger:A:BUS:B<x>:LIN:DATA:HIVALue	Sets or returns the binary data string to be used for LIN trigger
TRIGger:A:BUS:B<x>:LIN:DATA:QUALifier	Sets or returns the LIN data qualifier
TRIGger:A:BUS:B<x>:LIN:DATA:SIZE	Sets or returns the length of the data string in bytes to be used for LIN trigger
TRIGger:A:BUS:B<x>:LIN:DATA:VALue	Sets or returns the binary data string
TRIGger:A:BUS:B<x>:LIN:ERRTYPE	Sets or returns the error type

Table 2-31: Trigger Commands (cont.)

Command	Description
TRIGger:A:BUS:B<x>:LIN:IDentifier:VALue	Sets or returns the binary address string used for LIN trigger
TRIGger:A:BUS:B<x>:PARAllel:VALue	Sets or returns the binary data string to be used for a Parallel trigger
TRIGger:A:BUS:B<x>:RS232C:CONDition	Sets or returns the condition for an RS-232C trigger
TRIGger:A:BUS:B<x>:RS232C:RX:DATA:SIZE	Sets or returns the length of the data string in Bytes for an RX RS-232 Trigger
TRIGger:A:BUS:B<x>:RS232C:RX:DATA:VALue	Sets or returns the binary data string for an RX RS-232 trigger
TRIGger:A:BUS:B<x>:RS232C:TX:DATA:SIZE	Sets or returns the length of the data string for a TX RS-232 trigger
TRIGger:A:BUS:B<x>:RS232C:TX:DATA:VALue	Sets or returns the binary data string for an RS-232 trigger if the trigger condition involves TX
TRIGger:A:BUS:B<x>:SPI:CONDition	Sets or returns the trigger condition for SPI triggering
TRIGger:A:BUS:B<x>:SPI:DATA{:IN :MISO}:VALue	Sets or returns the binary data string to be used for SPI trigger
TRIGger:A:BUS:B<x>:SPI:DATA{:OUT :MOSI}:VALue	Sets or returns the binary data string used for the SPI trigger
TRIGger:A:BUS:B<x>:SPI:DATA:SIZE	Sets or returns the length of the data string in bytes to be used for SPI trigger
TRIGger:A:BUS:SOUrce	Sets or returns the source for a bus trigger
TRIGger:A:EDGE?	Returns the source, coupling and source for the A edge trigger
TRIGger:A:EDGE:COUPling	Sets or returns the type of coupling for the A edge trigger
TRIGger:A:EDGE:SLOpe	Sets or returns the slope for the A edge trigger
TRIGger:A:EDGE:SOUrce	Sets or returns the source for the A edge trigger

Table 2-31: Trigger Commands (cont.)

Command	Description
TRIGger:A:HOLDoff?	Returns the A trigger holdoff parameters
TRIGger:A:HOLDoff:TIME	Sets or returns the A trigger holdoff time
TRIGger:A:LEVel	Sets or returns the trigger level for the A trigger
TRIGger:A:LEVel:AUXin	Sets or returns the trigger level for the AUXIN port
TRIGger:A:LEVel:CH<x>	Specifies or returns the trigger level for the specified trigger channel
TRIGger:A:LEVel:D<x>	Sets or returns the trigger level for the specified digital channel
TRIGger:A:LOGic?	Returns all A trigger logic settings
TRIGger:A:LOGic:CLAss	Sets or returns the type of A trigger logic
TRIGger:A:LOGic:FUNCTion	Sets or returns the logical combination of the input channels for the A logic trigger
TRIGger:A:LOGic:INPut?	Returns the logic input values for all channels
TRIGger:A:LOGic:INPut:CH<x>	Specifies or returns the logic setting for the specified channel
TRIGger:A:LOGic:INPut:CLOCK:EDGE	Sets the polarity of the clock channel
TRIGger:A:LOGic:INPut:CLOCK:SOURce	Sets or returns the channel to use as the clock source
TRIGger:A:LOGic:INPut:D<x>	Sets or returns the logic pattern for a trigger on digital channel <x>
TRIGger:A:LOGic:PATtern?	Returns the conditions for generating an A logic pattern trigger
TRIGger:A:LOGic:PATtern:DELTAtime	Sets or returns the pattern trigger delta time value
TRIGger:A:LOGic:PATtern:INPut:D<x>	Sets or returns the A logic trigger pattern for a trigger on digital channel <x>

Table 2-31: Trigger Commands (cont.)

Command	Description
TRIGger:A:LOGic:PATtern:WHEn	Sets or returns the pattern logic condition on which to trigger the oscilloscope
TRIGger:A:LOGic:PATtern:WHEn:LESSLimit	Sets or returns the maximum time that the selected pattern may be true and still generate an A logic pattern trigger
TRIGger:A:LOGic:PATtern:WHEn:MORELimit	Sets or returns the minimum time that the selected pattern may be true and still generate an A logic pattern trigger
TRIGger:A:LOGic:THReshold:CH<x>	Sets or queries the trigger A logic threshold voltage for the specified channel
TRIGger:A:LOGic:THReshold:D<x>	Sets or returns the trigger A logic threshold level for the specified digital channel
TRIGger:A:LOWerthreshold:CH<x>	Sets or returns the lower threshold for the channel selected
TRIGger:A:LOWerthreshold:D<x>	Sets the A trigger lower threshold for the digital channel selected
TRIGger:A:LOWerthreshold{:EXT}:AUX}	Sets or returns the lower threshold for the Auxiliary input.
TRIGger:A:MODE	Sets or returns the A trigger mode
TRIGger:A:PULse?	Returns the A pulse trigger parameters
TRIGger:A:PULse:CLAss	Sets or returns the type of pulse on which to trigger
TRIGger:A:PULSEWidth?	Returns the trigger A pulse width parameters
TRIGger:A:PULSEWidth:POLarity	Sets or returns the polarity for the A pulse width trigger
TRIGger:A:PULSEWidth:SOUrce	Sets or returns the source for the pulse width trigger
TRIGger:A:PULSEWidth:WHEn	Sets or returns the criteria for width specification of pulse width trigger events
TRIGger:A:PULSEWidth:WIDth	Sets or returns the width setting for the pulse width trigger



Table 2-31: Trigger Commands (cont.)

Command	Description
TRIGger:A:RUNT?	Returns the current A runt pulse trigger logic parameters
TRIGger:A:RUNT:POLarity	Sets or returns the polarity for the A pulse runt trigger
TRIGger:A:RUNT:SOURce	Sets or returns the source for the A pulse trigger
TRIGger:A:RUNT:WHEN	Sets or returns the type of pulse width the trigger checks for when it uncovers a runt
TRIGger:A:RUNT:WIDTh	Sets or returns the minimum width for A pulse runt trigger
TRIGger:A:SETHold?	Returns settings for setup and hold violation triggering
TRIGger:A:SETHold:CLOCK?	Returns clock edge polarity, voltage threshold and source input for setup/hold triggering
TRIGger:A:SETHold:CLOCK:EDGE	Sets or returns the clock edge polarity for setup and hold triggering
TRIGger:A:SETHold:CLOCK:SOURce	Sets or returns the clock source for the A logic trigger setup and hold input
TRIGger:A:SETHold:CLOCK:THReshold	Sets or returns the clock voltage threshold for setup and hold trigger
TRIGger:A:SETHold:DATA?	Returns the voltage threshold and data source for the setup/hold trigger
TRIGger:A:SETHold:DATA:SOURce	Sets or returns the data source for the setup and hold trigger
TRIGger:A:SETHold:DATA:THReshold	Sets or returns the data voltage threshold for setup and hold trigger
TRIGger:A:SETHold:HOLDTime	Sets or returns the hold time for the setup and hold violation triggering
TRIGger:A:SETHold:SETTime	Sets or returns the setup time for setup and hold violation triggering
TRIGger:A:SETHold:THReshold:CH<x>	Sets or queries the threshold for the channel

Table 2-31: Trigger Commands (cont.)

Command	Description
TRIGger:A:SETHold:THReshold:D<x>	Sets the A trigger setup and hold threshold for the selected digital channel
TRIGger:A:UPPerthreshold:CH<x>	Sets the upper threshold for the channel selected
TRIGger:A{:TRANSition}:RISEFall)?	Returns the delta time, polarity, and both upper and lower threshold limits for the transition time trigger
TRIGger:A{:TRANSition}:RISEFall}:DELTAtime	Sets or returns the delta time used in calculating the transition value
TRIGger:A{:TRANSition}:RISEFall}:POLarity	Sets or returns the polarity for the A pulse transition trigger
TRIGger:A{:TRANSition}:RISEFall}:SOUrce	Sets or returns the source for transition trigger
TRIGger:A{:TRANSition}:RISEFall}:WHEN	Sets or returns the relationship of delta time to transitioning signal
TRIGger:A:TYPE	Sets or returns the type of A trigger
TRIGger:A:VIDeo?	Returns the video parameters for the A trigger
TRIGger:A:VIDeo:CUSTom{:FORMat}:TYPE}	Sets or returns the video trigger format
TRIGger:A:VIDeo:CUSTom:LINEPeriod	Sets or queries the line period
TRIGger:A:VIDeo:CUSTom:SCAN	Sets or returns the horizontal line scan rate of the A video trigger
TRIGger:A:VIDeo:CUSTom:SYNCInterval	Sets or queries the sync interval
TRIGger:A:VIDeo:HDTV:FORMat	Sets or returns the HDTV video signal format on which to trigger
TRIGger:A:VIDeo:HOLDoff:FIELD	Sets or returns the video trigger holdoff
TRIGger:A:VIDeo:LINE	Sets or returns the video line number on which the oscilloscope triggers
TRIGger:A:VIDeo:POLarity	Sets or returns the polarity of the A video trigger

Table 2-31: Trigger Commands (cont.)

Command	Description
TRIGger:A:VIDeo:SOUrce	Sets or returns the polarity of the video trigger
TRIGger:A:VIDeo:STANdard	Sets or returns the video standard
TRIGger:A:VIDeo{:SYNC FIELD}	Sets or returns the video field trigger
TRIGger:B	Sets the B trigger level to 50% or returns the B trigger parameters
TRIGger:B:BY	Sets or returns B trigger time or event qualifiers
TRIGger:B:EDGE?	Returns B trigger edge type parameters
TRIGger:B:EDGE:COUPling	Sets or returns the type of B trigger coupling
TRIGger:B:EDGE:SLOpe	Sets or returns the B edge trigger slope
TRIGger:B:EDGE:SOUrce	Sets or returns the B edge trigger source
TRIGger:B:EVENTS?	Returns the current B trigger events parameter
TRIGger:B:EVENTS:COUNT	Sets or returns the number of events that must occur before the B trigger occurs
TRIGger:B:LEVel	Sets or returns the level for the B trigger
TRIGger:B:LEVel:CH<x>	Sets or returns the level for the B trigger for a specific channel
TRIGger:B:LEVel:D<x>	Sets or returns the B trigger level for digital channel <x>
TRIGger:B:LOWerthreshold:CH<x>	Sets or returns the B trigger lower threshold for the channel selected
TRIGger:B:LOWerthreshold:D<x>	Sets or queries the B trigger lower threshold for the digital channel selected
TRIGger:B:STATE	Returns the current state of the B trigger
TRIGger:B:TIME	Sets or returns the B trigger delay time
TRIGger:B:TYPE	Sets or returns the type of B trigger

Table 2-31: Trigger Commands (cont.)

Command	Description
TRIGger:B:UPPerthreshold:CH<x>	Sets or returns the B trigger upper threshold for the channel selected
TRIGger:EXternal?	Returns external trigger parameters
TRIGger:EXternal:PRObe	Sets or returns the attenuation factor value of the external probe connector
TRIGger:EXternal:YUNIts?	Returns the external trigger vertical (Y) units value
TRIGger:FREquency?	Returns the trigger frequency in hertz, if available
TRIGger:STATE?	Returns the current state of the triggering system

## Vertical Command Group

Use the commands in the Vertical Command Group to control the vertical setup of all live (channel) waveforms for acquisition and display of channel, reference, and math waveforms.

Table 2-32: Vertical Commands

Command	Description
AUXin?	Returns auxiliary input parameters
AUXin:PRObe	Returns all information concerning the probe attached to auxiliary input
AUXin:PRObe:AUTOZero	Sets the TekVPI probe attached to the auxiliary input to autozero
AUXin:PRObe:COMMAND	Sets the state of the specified probe control
AUXin:PRObe:DEGAUss	Starts a degauss/autozero cycle on a TekVPI current probe attached to the auxiliary input
AUXin:PRObe:DEGAUss:STATE?	Returns the degauss state of the TekVPI current probe attached to the auxiliary input
AUXin:PRObe:FORCEDRange	Sets or returns the range of the TekVPI probe attached to the auxiliary input
AUXin:PRObe:GAIN	Sets or returns the gain factor of the probe that is attached to the auxiliary input
AUXin:PRObe:ID:SERnumber?	Returns the serial number of the probe that is attached to the auxiliary input
AUXin:PRObe:ID:TYPE?	Returns the type of probe that is attached to the auxiliary input

Table 2-32: Vertical Commands (cont.)

Command	Description
AUXin:PRObe:RESistance?	Returns the resistance of the probe that is attached to the Auxiliary input
AUXin:PRObe:SIGNAL	Sets or returns the input bypass setting on VPI probes that support input bypass
AUXin:PRObe:UNIts?	Returns the units of measure of the probe that is attached to the auxiliary input
CH<x>?	Returns vertical parameters for the specified channel
CH<x>:AMPSVIAVOLTs:ENABle	Sets or returns the state of the amps via volts feature for the specified channel
CH<x>:AMPSVIAVOLTs:FACTOR	Sets or returns the amps via volts factor for the specified channel
CH<x>:BANdwidth	Sets or returns the bandwidth of the specified channel
CH<x>:COUPling	Sets or returns the coupling setting for the specified channel
CH<x>:DESKew	Sets or returns the deskew time for the specified channel
CH<x>:INVert	Sets or returns the invert function for the specified channel
CH<x>:LABel	Sets or returns the waveform label for channel <x>
CH<x>:OFFSet	Sets or returns the channel offset
CH<x>:POSition	Sets or returns the channel vertical position
CH<x>:PRObe?	Returns the gain, resistance, units, and ID of the probe that is attached to the specified channel
CH<x>:PRObe:AUTOZero	Sets the TekVPI probe attached to the specified channel input to autozero
CH<x>:PRObe:COMMAND	Sets the state of the specified probe control
CH<x>:PRObe:DEGAUss	Starts a degauss/autozero cycle on a TekVPI current probe attached to the specified channel input
CH<x>:PRObe:DEGAUss:STATE?	Returns the state of the probe degauss
CH<x>:PRObe:FORCEDRange	Sets or returns the range on a TekVPI probe attached to the specified channel
CH<x>:PRObe:GAIN	Sets or returns the gain factor of the probe that is attached to the specified channel
CH<x>:PRObe:ID?	Returns the type and serial number of the probe that is attached to the specified channel

Table 2-32: Vertical Commands (cont.)

Command	Description
CH<x>:PRObe:ID:SERnumber?	Returns the serial number of the probe that is attached to the specified channel
CH<x>:PRObe:ID:TYPE?	Returns the type of probe that is attached to the specified channel
CH<x>:PRObe:MODEl	Sets or returns the probe model for the specified channel
CH<x>:PRObe:PROPDELay	Sets or returns the propagation delay for the probe connected to the specified channel
CH<x>:PRObe:RECDESkew?	Returns the recommended deskew for the probe connected to the specified channel
CH<x>:PRObe:RESistance?	Returns the resistance of the probe that is attached to the specified channel
CH<x>:PRObe:SIGnal	Sets or returns the input bypass setting of channel <x> TekVPI probe
CH<x>:PRObe:UNIts?	Returns the units of measure of the probe that is attached to the specified channel
CH<x>:SCALE	Sets or returns the vertical scale of the specified channel
CH<x>:TERmination	Sets or returns channel input termination
CH<x>:YUNits	Sets or returns the units for the specified channel
D<x>	Returns parameters for digital channel <x>
D<x>:LABel	Sets or returns the waveform label for digital channel<x>
D<x>:THREshold	Sets or returns the logical threshold for digital channel <x>
D<x>:POSition	Sets or returns the vertical position for digital channel <x>
DESkew	Causes the deskew values for all channels to be set to the recommended values
DESkew:DISPlay	Sets or returns the state of the deskew table display
REF<x>?	Returns reference waveform data for channel <x>
REF<x>:DATE?	Returns the date that a reference waveform was stored
REF<x>:HORizontal:DELay:TIME	Sets or returns the horizontal position of the specified reference waveform in percent of the waveform that is displayed to the right of the center vertical graticule
REF<x>:HORizontal:SCALE	Sets or returns the horizontal scale for a reference waveform

Table 2-32: Vertical Commands (cont.)

Command	Description
REF<x>:LABel	Sets or returns the specified reference waveform label
	Sets or returns the vertical position for reference channel <x>
REF<x>:TIMe?	Returns the time that a reference waveform was stored
REF<x>:VERTical:POSition	Sets or returns the vertical position of the specified reference waveform
REF<x>:VERTical:SCAle	Sets or returns the reference waveform vertical scale in vertical units/div
SElect	Returns information on which waveforms are on or off and which waveform is selected.
SElect:BUS<x>	Turns on or off the specified bus waveform or returns whether the specified bus channel is on or off
SElect:CH<x>	Turns on or off the specified waveform or returns whether the specified channel is on or off
SElect:CONTROl	Sets or returns the waveform that is selected as the implied recipient of channel-related commands
SElect:D<x>	Turns on the display of digital channel <x> and resets the acquisition
SElect:MATH[1]	Turns on or off the math waveform or returns whether the math waveform is on or off
SElect:REF<x>	Turns on or off the specified reference waveform or returns whether the specified reference waveform is on or off

## Waveform Transfer Command Group

Use the commands in the Waveform Transfer Command Group to transfer waveform data points to and from the oscilloscope. Waveform data points are a collection of values that define a waveform. One data value usually represents one data point in the waveform record. When working with envelope waveforms, each data value is either the minimum or maximum of a min/max pair.

Before you transfer waveform data, you must specify the data format, record length, and waveform source or destination.

**Data Formats**

All data points for DPO and MSO models are signed integer format only. Valid data widths for CH1-CH4, MATH, REF1-REF4 and D0-D15 are 1 and 2-byte widths. The valid data widths for the digital collection is either 4 or 8-byte widths.

The oscilloscope can transfer waveform data in either ASCII or binary format. You specify the format with the DATA:ENCdg command.

**ASCII Data.** ASCII data is represented by signed integer values. The range of the values depends on the byte width specified. One byte wide data ranges from -128 to 127. Two byte wide data ranges from -32768 to 32767.

Each data value requires two to seven characters. This includes one to five characters to represent the value, another character, if the value is negative, to represent a minus sign, and a comma to separate the data points.

An example ASCII waveform data string may look like this:

```
CURVE<space>-110, -109, -110, -110, -109, -107, -109, -107, -106,
-105, -103, -100, -97, -90, -84, -80
```

---

**NOTE.** *You can use ASCII to obtain a readable and easier to format output than binary. However, the oscilloscope may require bytes to send the same values with ASCII than with binary, reducing transmission speed.*

*The use of ASCII for waveform data transfer is inefficient. ASCII-formatted Waveform (WAVFRM?) and Curve (CURVE?) queries, exceeding 1 M points, are not supported.*

---

**Binary Data.** Binary data is represented by signed integer or positive integer values. The range of the values depends on the byte width specified. When the byte width is one, signed integer data ranges from -128 to 127, and positive integer values range from 0 to 255. When the byte width is two, the values range from -32768 to 32767. and positive integer values range from 0 to 65,535.

**Table 2-33: Binary data ranges**

Byte width	Signed integer range	Positive integer range
1	-128 to 127	0 to 255
2	32,768 to 32,767	0 to 65,535

The defined binary formats also specify the order in which the bytes are transferred. The four binary formats are RIBinary, RPBinary, SRIBinary, and SRPBinary.

RIBinary is signed integer where the most significant byte is transferred first, and RPBinary is positive integer where the most significant byte is transferred first. SRIBinary and SRPBinary correspond to RIBinary and RPBinary respectively but



use a swapped byte order where the least significant byte is transferred first. The byte order is ignored when DATA:WIDTH is set to 1.

### Waveform Data and Record Lengths

You can transfer multiple points for each waveform record. You can transfer a portion of the waveform or you can transfer the entire record. You can use the DATA:START and DATA:STOP commands to specify the first and last data points of the waveform record.

When transferring data into the oscilloscope, you must first specify the record length of the destination waveform record. You do this with the WFMInpre:NR\_Pt command. Next, specify the first data point within the waveform record. For example, when you set DATA:START to 1, data points will be stored starting with the first point in the record. The oscilloscope will ignore the value set by DATA:STOP when reading in data. It will stop reading data when there is no data to read or when it has reached the specified record length.

When transferring data from the oscilloscope, you must specify the first and last data points in the waveform record. Setting DATA:START to 1 and DATA:STOP to the record length will always return the entire waveform.

### Waveform Data Locations and Memory Allocation

The DATA:SOURce command specifies the waveform source when transferring a waveform from the oscilloscope. You can only transfer one waveform at a time. Waveforms sent to the oscilloscope are always stored in one of the reference memory locations. Use the DATA:DESTination command to specify a reference memory location.

### Waveform Preamble

Each waveform you transfer has an associated waveform preamble, which contains information such as horizontal scale, vertical scale, and the other settings in effect when the waveform was created. Refer to the individual WFMInpre and WFMOutpre commands for information.

### Scaling Waveform Data

Once you transfer the waveform data to the controller, you can convert the data points into voltage values for analysis using information from the waveform preamble.

**Transferring Waveform Data from the Oscilloscope**

You can transfer waveforms from the oscilloscope to an external controller using the following sequence:

1. Select the waveform source(s) using `DATA:SOURce`.
2. Specify the waveform data format using `DATA:ENCdg`.
3. Specify the number of bytes per data point using `WFMOutpre:BYT_Nr`.
4. Specify the portion of the waveform that you want to transfer using `DATA:START` and `DATA:STOP`.
5. Transfer waveform preamble information using the `WFMOutpre?` query.
6. Transfer waveform data from the oscilloscope using the `CURVe?` query.

**Transferring Waveform Data to the Oscilloscope**

You can transfer waveforms to the oscilloscope from an external controller using the following sequence:

1. Specify the reference waveform using `DATA:DESTination`.
2. Specify the record length of the reference waveform using `WFMPre:NR_Pt`.
3. Specify the waveform data format using `WFMinpre:ENCdg`.
4. Specify the number of bytes per data point using `WFMinpre:BYT_Nr`.
5. Specify first data point in the waveform record using `DATA:START`.
6. Transfer waveform preamble information using `WFMinpre`.
7. Transfer waveform data to the oscilloscope using `CURVe`.

**Table 2-34: Waveform Transfer Commands**

Command	Description
<code>CURVe</code>	The command format transfers waveform data to the oscilloscope (reference waveform specified by <code>DATA:DESTination</code> ) The query format transfers waveform data from oscilloscope specified by the <code>DATA:SOURce</code> command
<code>DATA</code>	Sets the format and location of the waveform data that is transferred with the <code>CURVe</code> Command Or returns the format and location of the waveform data that is transferred with the <code>CURVe?</code> command
<code>DATA:DESTination</code>	Sets or returns the reference waveform for storing waveform data sent to the oscilloscope
<code>DATA:ENCdg</code>	Sets or returns the format of outgoing waveform data

Table 2-34: Waveform Transfer Commands (cont.)

Command	Description
DATA:SOURce	Sets or returns the location of waveform data transferred from the oscilloscope
DATA:START	Sets or returns the starting point in waveform transfer
DATA:STOP	Sets or returns the ending data point in waveform transfer
WAVFrm?	Returns a branch query containing waveform data in either binary or ASCII format, waveform formatting data, and the location of the waveform data source
WFMinpre?	Returns the waveform formatting specification to be applied to the next incoming CURVE command data
WFMinpre:BIT_Nr	Sets or returns the number of bits per binary waveform point for the incoming waveform
WFMinpre:BN_Fmt	Sets or returns the format of binary data for the incoming waveform
WFMinpre:BYT_Nr	Sets or returns the data width for the incoming waveform
WFMinpre:BYT_Or	Sets or returns the byte order of waveform points for the incoming waveform
WFMinpre:ENCdg	Sets or returns the type of encoding for incoming waveform data
WFMinpre:NR_Pt	Sets or returns the number of points in the incoming waveform record
WFMinpre:PT_Fmt	Sets or returns the point format of incoming waveform data
WFMinpre:PT_Off	This query always returns a 0
WFMinpre:XINcr	Sets or returns the horizontal sampling interval between incoming waveform points
WFMinpre:XUNit	Sets or returns the horizontal units of the incoming waveform
WFMinpre:XZEro	Sets or returns the time of the first point in the incoming waveform
WFMinpre:YMUlt	Sets or returns the vertical scale factor, per digitizing level, of the incoming waveform points
WFMinpre:YOFf	Sets or returns the vertical position of the incoming waveform in digitizing levels
WFMinpre:YUNit	Sets or returns the vertical units of the incoming waveform

Table 2-34: Waveform Transfer Commands (cont.)

Command	Description
WFMInpre:YZEro	Sets or returns the vertical offset of the incoming waveform
WFMOutpre?	Returns the waveform formatting data for the waveform specified by the DATA:SOURCE command
WFMOutpre:BIT_Nr	Sets or returns the number of bits per waveform point that outgoing waveforms contain
WFMOutpre:BN_Fmt	Sets or returns the format of binary data for the outgoing waveform
WFMOutpre:BYT_Nr	Sets or returns the data width for the outgoing waveform
WFMOutpre:BYT_Or	Sets or returns the byte order of waveform points for the outgoing waveform
WFMOutpre:ENCdg	Sets or returns the type of encoding for outgoing waveforms
WFMOutpre:FRACTIONal?	This query always returns a 0 if the waveform specified by DATA:SOURce is on or displayed
WFMOutpre:NR_Pt?	Returns the number of points for the waveform transmitted in response to a CURVe? query
WFMOutpre:PT_Fmt?	Returns the point format for the outgoing waveform
WFMOutpre:PT_Off?	This query always returns a 0 if the waveform specified by DATA:SOURce is on or displayed
WFMOutpre:PT_ORder?	This query always returns LINEAR
WFMOutpre:WFId?	Returns a string describing the acquisition parameters for the outgoing waveform
WFMOutpre:XINcr?	Returns the horizontal sampling interval for the outgoing waveform
WFMOutpre:XUNit?	Returns the horizontal units for the outgoing waveform
WFMOutpre:XZEro?	Returns the time of the first point in the outgoing waveform
WFMOutpre:YMUIt?	Returns the vertical scale factor per digitizing level for the outgoing waveform
WFMOutpre:YOFf?	Returns the vertical position in digitizing levels for the outgoing waveform
WFMOutpre:YUNit?	Returns the vertical units for the outgoing waveform
WFMOutpre:YZEro?	Returns the vertical offset for the outgoing waveform

## Zoom Command Group

Use the commands in the Zoom Command Group to expand and position the waveform display horizontally, without changing the time base settings.

**Table 2-35: Zoom Commands**

Command	Description
ZOOm?	Returns the horizontal positioning and scaling of the zoom display
ZOOm:MODe	Sets or returns the zoom mode
ZOOm:ZOOM<x>?	Returns the current horizontal positioning and scaling of the zoom display
ZOOm:ZOOM<x>:FAcTOr?	Returns the zoom factor of the zoom window. <x> can only be 1
ZOOm:ZOOM<x>:POSiTion	Sets or returns the horizontal position of the zoom window in terms of 0 to 100% of the overview window. <x> can only be 1
ZOOm:ZOOM<x>:SCAlE	Sets or returns the horizontal zoom scale of the zoom window. <x> can only be 1
ZOOm:ZOOM<x>:STATe	Specifies or returns a trace as zoomed, on or off. <x> can only be 1



---

# Commands Listed in Alphabetical Order

## ACQUIRE? (Query Only)

Returns the following current acquisition parameters:

- Stop after
- Acquisition state
- Mode
- Number of averages
- Sampling mode

**Group** Acquisition

**Syntax** ACQUIRE?

**Related Commands** [ACQUIRE:MODE](#), [ACQUIRE:NUMACQ?](#), [ACQUIRE:NUMAVG](#), [ACQUIRE:STOPAFTER](#)

## ACQUIRE:MAGNIVU

Sets or returns the MagniVu feature, which provides up to 32 times signal detail for fast viewing of short events. This feature is not recommended for slow data formats such as RS-232.

---

**NOTE.** *MagniVu channel sampling is available on MSO oscilloscopes only.*

---

**Group** Acquisition

**Syntax** ACQUIRE:MAGNIVU {<NR1>|OFF|ON}  
ACQUIRE:MAGNIVU?

**Arguments** <NR1> = 0 disables the MagniVu feature; any other value turns this feature on.  
ON enables the MagniVu feature.  
OFF disables the MagniVu feature.

## ACQUIRE:MAXSAMPLERATE? (Query Only)

Returns the maximum real-time sample rate, which varies from model to model.

<b>Group</b>	Acquisition
<b>Syntax</b>	ACQUIRE:MAXSAMPLERATE?
<b>Examples</b>	ACQUIRE:MAXSAMPLERATE? might return 2.5000E+9 in a DPO4034 indicating the maximum real-time sample rate is 2.5GS/s.

## ACQUIRE:MODE

Sets or returns the acquisition mode of the oscilloscope for all live waveforms.

Waveforms are the displayed data point values taken from acquisition intervals. Each acquisition interval represents a time duration set by the horizontal scale (time per division). The oscilloscope sampling system always samples at the maximum rate, so the acquisition interval may include than one sample.

The acquisition mode (which you set using this ACQUIRE:MODE command) determines how the final value of the acquisition interval is generated from the many data samples.

<b>Group</b>	Acquisition
<b>Syntax</b>	ACQUIRE:MODE {SAMPLE PEAKdetect HIRes AVERAGE ENVELOPE} ACQUIRE:MODE?
<b>Related Commands</b>	<a href="#">ACQUIRE:NUMAVG</a> , <a href="#">CURVE</a>

<b>Arguments</b>	<p><b>SAMPLE</b> specifies that the displayed data point value is the first sampled value that is taken during the acquisition interval. In sample mode, all waveform data has 8 bits of precision. You can request 16 bit data with a <a href="#">CURVE</a> query but the lower-order 8 bits of data will be zero. <b>SAMPLE</b> is the default mode.</p> <p><b>PEAKdetect</b> specifies the display of high-low range of the samples taken from a single waveform acquisition. The high-low range is displayed as a vertical column that extends from the highest to the lowest value sampled during the acquisition interval. <b>PEAKdetect</b> mode can reveal the presence of aliasing or narrow spikes.</p> <p><b>HIRes</b> specifies Hi Res mode where the displayed data point value is the average of all the samples taken during the acquisition interval. This is a form</p>
------------------	--



of averaging, where the average comes from a single waveform acquisition. The number of samples taken during the acquisition interval determines the number of data values that compose the average.

**Average** specifies averaging mode, in which the resulting waveform shows an average of **SAMPLE** data points from several separate waveform acquisitions. The oscilloscope processes the number of waveforms you specify into the acquired waveform, creating a running exponential average of the input signal. The number of waveform acquisitions that go into making up the average waveform is set or queried using the **ACQUIRE:NUMAVg** command.

**Envelope** specifies envelope mode, where the resulting waveform shows the **PEAKdetect** range of data points from every waveform acquisition.

- Examples**
- ACQUIRE:MODE ENVELOPE** sets the acquisition mode to display a waveform that is an envelope of many individual waveform acquisitions.
  - ACQUIRE:MODE?** might return **:ACQUIRE:MODE AVERAGE** indicating that the displayed waveform is the average of the specified number of waveform acquisitions.

## ACQUIRE:NUMACq? (Query Only)

Returns the number of waveform acquisitions that have occurred since starting acquisition with the **ACQUIRE:STATE:RUN** command. This value is reset to zero when any acquisition, horizontal, or vertical arguments that affect the waveform are changed. The maximum number of acquisitions that can be counted is  $2^{32} - 1$ .

**Group** Acquisition

**Syntax** **ACQUIRE:NUMACq?**

**Related Commands** [ACQUIRE:STATE](#)

**Returns** **ACQUIRE:NUMACq?** might return **:ACQUIRE:NUMACQ 350** indicating that 350 acquisitions have occurred since executing an **ACQUIRE:STATE RUN** command.

## ACQUIRE:NUMAVg

Sets or returns the number of waveform acquisitions that make up an averaged waveform. Use the **ACQUIRE:MODE** command to enable the Average mode. Sending this command is equivalent to turning a multipurpose knob to enter the number of waveform acquisitions to average.

<b>Group</b>	Acquisition
<b>Syntax</b>	ACQuire:NUMAVg <NR1> ACQuire:NUMAVg?
<b>Related Commands</b>	<a href="#">ACQuire:MODE</a>
<b>Arguments</b>	<NR1> is the number of waveform acquisitions to average. The range of values is from 2 to 512 in powers of two.
<b>Examples</b>	ACQUIRE:NUMAVG 16 specifies that 16 waveform averages will be performed before exponential averaging starts.  ACQUIRE:NUMAVG? might return :ACQUIRE:NUMAVG 64 indicating that there are 64 acquisitions specified for averaging.

## ACQuire:STATE

Starts or stops acquisitions. When state is set to ON or RUN, a new acquisition will be started. If the last acquisition was a single acquisition sequence, a new single sequence acquisition will be started. If the last acquisition was continuous, a new continuous acquisition will be started.

If RUN is issued in the middle of completing a single sequence acquisition (for example, averaging or enveloping), the acquisition sequence is restarted, and any accumulated data is discarded. Also, the oscilloscope resets the number of acquisitions. If the RUN argument is issued while in continuous mode, acquisition continues.

<b>Group</b>	Acquisition
<b>Syntax</b>	ACQuire:STATE {OFF ON RUN STOP <NR1>} ACQuire:STATE?
<b>Related Commands</b>	<a href="#">ACQuire:STOPAfter</a>
<b>Arguments</b>	OFF stops acquisitions.  STOP stops acquisitions.  ON starts acquisitions.  RUN starts acquisitions.

<NR1> = 0 stops acquisitions; any other value starts acquisitions.

- Examples** ACQUIRE:STATE RUN starts the acquisition of waveform data and resets the count of the number of acquisitions.
- ACQUIRE:STATE? might return:ACQUIRE:STATE 0 indicating that the acquisition is stopped.

## ACQUIRE:STOPAFTER

Sets or returns whether the oscilloscope continually acquires acquisitions or acquires a single sequence.

- Group** Acquisition
- Syntax** ACQUIRE:STOPAFTER {RUNSTOP|SEQUENCE}  
ACQUIRE:STOPAFTER?

**Related Commands** [ACQUIRE:STATE](#)

- Arguments** RUNSTOP specifies that the oscilloscope will continually acquire data, if [ACQUIRE:STATE](#) is turned on.
- SEQUENCE specifies that the next acquisition will be a single-sequence acquisition.

- Examples** ACQUIRE:STOPAFTER RUNSTOP sets the oscilloscope to continually acquire data.
- ACQUIRE:STOPAFTER? might return:ACQUIRE:STOPAFTER SEQUENCE indicating that the next acquisition the oscilloscope makes will be of the single-sequence type.

## ALIAS

Sets or returns the state of alias functionality. Use Alias commands to define new commands as a sequence of standard commands. You may find this useful when repeatedly using the same commands to perform certain tasks like setting up measurements. Aliases are similar to macros but do not include the capability to substitute parameters into alias bodies.

To use Alias commands, first define the alias, then turn on the alias state.

- Group** Alias

**Syntax** ALIAS {OFF|ON|<NR1>}  
ALIAS?

**Related Commands** [ALIAS:DEFine](#)  
[ALIAS\[:STATE\]](#)

**Arguments** OFF turns alias expansion off. If a defined alias is sent when ALIAS is off, a command error (110) will be generated.  
ON turns alias expansion on. When a defined alias is received, the specified command sequence is substituted for the alias and executed.  
<NR1> = 0 disables alias mode; any other value enables alias mode.

**Examples** ALIAS ON turns the alias feature on. When a defined alias is received, the specified command sequence is substituted for the alias and executed.  
ALIAS? might return :ALIAS 1 indicating that the alias feature is on.

## ALIAS:CATALOG? (Query Only)

Returns a list of the currently defined alias labels, separated by commas. If no aliases are defined, the query returns the string "".

**Group** Alias

**Syntax** ALIAS:CATALOG?

**Examples** ALIAS:CATALOG? might return the string :ALIAS:CATALOG "SETUP1", "TESTMENU1", "DEFAULT" showing that there are three aliases named SETUP1, TESTMENU1, and DEFAULT.

## ALIAS:DEFine

Assigns a sequence of program messages to an alias label. These messages are then substituted for the alias whenever it is received as a command or query, provided that ALIAS:STATE has been turned on. The query form of this command returns the definitions of a selected alias.

---

**NOTE.** Attempting to give two aliases the same name causes an error. To give a new alias the name of an existing alias, the existing alias must first be deleted.

---

<b>Group</b>	Alias
<b>Syntax</b>	<pre>ALIAS:DEFINE &lt;QString&gt;&lt;,&gt;{&lt;QString&gt; &lt;Block&gt;} ALIAS:DEFINE? &lt;QString&gt;</pre>
<b>Related Commands</b>	<a href="#">ALIAS[:STATE]</a>
<b>Arguments</b>	<p>The first &lt;QString&gt; is the alias label.</p> <p>This label cannot be a command name. Labels must start with a letter and can contain only letters, numbers, and underscores; other characters are not allowed. The label must be less than or equal to 12 characters.</p> <p>The second&lt;QString&gt; or &lt;Block&gt; is a complete sequence of program messages.</p> <p>The messages can contain only valid commands that must be separated by semicolons and must follow all rules for concatenating commands. The sequence must be less than or equal to 256 characters.</p>
<b>Examples</b>	<pre>ALIAS:DEFINE "ST1",":RECALL:SETUP 5;:AUTOSET EXECUTE;:SELECT:CH1 ON" defines an alias named "ST1" that sets up the oscilloscope.</pre> <pre>ALIAS:DEFINE? "ST1" returns :ALIAS:DEFINE "ST1",#246 :RECALL:SETUP 5;:AUTOSET EXECUTE;:SELECT:CH1 ON</pre>

## ALIAS:DELETE (No Query Form)

Removes a specified alias and is identical to ALIAS:DELETE:NAME. An error message is generated if the named alias does not exist.

<b>Group</b>	Alias
<b>Syntax</b>	<pre>ALIAS:DELETE &lt;QString&gt;</pre>
<b>Related Commands</b>	<a href="#">*ESR?</a> , <a href="#">ALIAS:DELETE:ALL</a>
<b>Arguments</b>	<p>&lt;QString&gt; is the name of the alias to be removed. Using ALIAS:DELETE without specifying an alias causes an execution error. &lt;QString&gt; must be a previously defined value.</p>

**Examples** ALIAS:DELETE "SETUP1" deletes the alias named SETUP1.

## Alias:DELEte:ALL (No Query Form)

Deletes all existing aliases.

**Group** Alias

**Syntax** ALIAS:DELEte:ALL

**Related Commands** [Alias:DELEte](#), [Alias:DELEte\[:NAME\]](#)

**Examples** ALIAS:DELETE:ALL deletes all existing aliases.

## Alias:DELEte[:NAME] (No Query Form)

Removes a specified alias. This command is identical to [Alias:DELEte](#)

**Group** Alias

**Syntax** ALIAS:DELEte[:NAME] <QString>

**Arguments** <QString> is the name of the alias to remove. Using ALIAS:DELEte[:NAME] without specifying an alias causes an execution error. <QString> must be an existing alias.

**Examples** ALIAS:DELETE[:NAME] "STARTUP" deletes the alias named STARTUP.

## Alias[:STATE]

Turns aliases on or off. This command is identical to the [Alias](#) command.

**Group** Alias

**Syntax** ALIAS[:STATE] {<NR1>|OFF|ON}  
ALIAS[:STATE]?

**Arguments** OFF or <NR1> = 0 turns alias expansion off. If a defined alias is sent when ALIAS:STATE is OFF, a command error (102) is generated.

ON or <NR1>0 turns alias expansion on. When a defined alias is received, the specified command sequence is substituted for the alias and executed.

**Examples** ALIAS[:STATE] OFF turns the command alias feature off.

ALIAS[:STATE]? returns 0 when the alias feature is off.

## ALLEV? (Query Only)

Prompts the oscilloscope to return all events and their messages (delimited by commas), and removes the returned events from the Event Queue. Use the \*ESR? query to enable the events to be returned. This command is similar to repeatedly sending \*EVMsg? queries to the oscilloscope.

**Group** Status and Error

**Syntax** ALLEV?

**Related Commands** [\\*ESR?](#), [EVMsg?](#)

**Examples** ALLEV? might return :ALLEV 2225,"Measurement error, No waveform to measure; "420,"Query UNTERMINATED;"

## AUTOSet (No Query Form)

Sets the vertical, horizontal, and trigger controls of the oscilloscope to automatically acquire and display the selected waveform.

**Group** Miscellaneous

**Syntax** AUTOSet {EXECute|UNDo}

**Arguments** EXECute autosets the displayed waveform.

UNDo restores the oscilloscope settings to those present prior to the autoset execution.

**Examples** AUTOSET EXECUTE vertical, horizontal, and trigger controls of the oscilloscope to automatically acquire and display the selected waveform.

## AUTOSet:ENABle

Enables or disables the autose t feature. This is useful for classroom purposes where the instructor wants the students to achieve the desired instrument settings without the benefit of the autose t feature. This setting is not saved in setup files or SET? or \*LRN? queries. The default state is 1 (autose t enabled).

**Group** Miscellaneous

**Syntax** AUTOSet:ENABle {OFF|ON|0|1}  
AUTOSet:ENABle?

**Arguments** OFF or 0 disables autose t.  
ON or 1 enables autose t.

**Examples** AUTOSET:ENABLE 1 enables the front-panel **Autose t** button.  
AUTOSET:ENABLE? might return AUTOSET:ENABLE 0 indicating that the autose t feature is disabled.

## AUXin? (Query Only)

Returns all auxiliary input parameters.

**Group** Vertical

**Syntax** AUXin?

## AUXin:PROBe

Returns all information concerning the probe attached to auxiliary input.

**Group** Vertical

**Syntax** AUXin:PROBe  
AUXin:PROBe?



**Examples** AUXIN:PROBE? might return AUXIN:PROBE:ID:TYPE "No Probe Detected";SERNUMBER "";:AUXIN:PROBE:UNITS "";RESISTANCE 1.0000E+6 giving information about the probe attached to the AUX In input.

## AUXin:PRObe:AUTOZero (No Query Form)

Sets the TekVPI probe attached to the Aux In input to autozero. The oscilloscope will ignore this command if the Auxiliary input does not have a TekVPI probe connected to it.

**Group** Vertical

**Syntax** AUXin:PRObe:AUTOZero {EXECute}

**Arguments** EXECute sets the probe to autozero.

**Examples** AUXin:PROBE:AUTOZERO EXECUTE

## AUXin:PRObe:COMMAND (No Query Form)

Sets the state of the probe control specified with the first argument to the state specified with the second argument. The commands and states are unique to the attached probe type. Only certain VPI probes support this command. See the probe documentation for how to set these string arguments.

**Group** Vertical

**Syntax** AUXin:PRObe:COMMAND <QString>, <QString>

**Arguments** <QString> are quoted strings specifying the probe command and value to set in the probe attached to the auxiliary input.

**Examples** AUXIN:PROBE:COMMAND "OUTPUT", "ON" turns the output of a Tektronix VPI-DPG probe on.

AUXIN:PROBE:COMMAND "MODE", "4-4V1MHZ" sets a Tektronix VPI-DPG probe to the 4-4V1MHz mode.

AUXIN:PROBE:COMMAND?"MODE" might return AUXIN:PROBE:COMMAND "MODE", "4-4V1MHZ".

## AUXin:PRObe:DEGAUss (No Query Form)

Starts a degauss/autozero cycle on a TekVPI current probe attached to the Aux In input. If you send this command to a probe that does not support this function, it is ignored

**Group** Vertical

**Syntax** AUXin:PRObe:DEGAUss {EXECute}

**Arguments** EXECute starts a probe degauss cycle.

**Examples** AUXin:PROBE:DEGAUSS EXECUTE degausses the probe attached to the Aux In input.

## AUXin:PRObe:DEGAUss:STATE? (Query Only)

Returns the state of the probe degauss (NEEDED, RECOMMENDED, PASSED, FAILED, RUNNING). The command will return PASSED for probes that do not support degauss operations.

**Group** Vertical

**Syntax** AUXin:PRObe:DEGAUss:STATE?

**Examples** AUXin:PROBE:DEGAUSS:STATE? might return:  
AUXin:PROBE:DEGAUSS:STATE PASSED indicating that the probe has been degaussed.

## AUXin:PRObe:FORCEDRange

Changes or returns the range on a TekVPI probe attached to the Aux In input.

**Group** Vertical

**Syntax** AUXin:PRObe:FORCEDRange <NR3>  
AUXin:PRObe:FORCEDRange?

**Arguments** <NR3> is the probe range, which is probe dependent.

## AUXin:PRObe:GAIN

Sets or returns the gain factor of a probe that is attached to the Aux In input.

**Group** Vertical

**Syntax** AUXin:PRObe:GAIN <NR3>  
AUXin:PRObe:GAIN?

**Arguments** <NR3> is the probe gain, which is probe dependent.

**Examples** AUXin:PROBE:GAIN? might return :AUXin:PROBE:GAIN 100.0000E-3 indicating that the attached 10x probe delivers 0.1 V to the Aux In BNC for every 1.0 V applied to the probe input.

## AUXin:PRObe:ID:SERnumber? (Query Only)

Returns the serial number of the probe that is attached to the auxiliary input.

**Group** Vertical

**Syntax** AUXin:PRObe:ID:SERnumber?

## AUXin:PRObe:ID:TYPE? (Query Only)

Returns the type of probe that is attached to the auxiliary input.

**Group** Vertical

**Syntax** AUXin:PRObe:ID:TYPE?

## AUXin:PRObe:RESistance? (Query Only)

Returns the resistance of the probe attached to the front panel Aux In connector.

**Group** Vertical

**Syntax** AUXin:PRObe:RESistance?

**Examples** AUXin:PRObe:RESistance? might return :AUXin:PROBE:RESISTANCE 1.0000E+6 indicating that the input resistance of the probe attached to the front panel Aux In connector is 1 MΩ.

---

**NOTE.** This query will return 0.0 if no probe is attached or the attached probe does not report the input resistance.

---

## AUXin:PRObe:SIGnal

This command changes the input bypass setting on VPI probes that support input bypass, for example the TCP0001. If sent to a probe that does not support input bypass, it is ignored.

**Group** Vertical

**Syntax** AUXin:PRObe:SIGna] {BYPass|PASS}  
AUXin:PRObe:SIGna]?

**Arguments** BYPass sets the probe to Bypass mode.

PASS sets the probe to Pass mode.

## AUXin:PRObe:UNIts? (Query Only)

Returns a string describing the units of measure of the probe attached to the Aux In input.

**Group** Vertical

**Syntax** AUXin:PRObe:UNIts?

**Examples** AUXin:PROBE:UNITS? might return: :AUXin:PROBE:UNITS "V" indicating that the units of measure for the attached probe are volts.

## BUS

Sets or returns the parameters for each bus. These parameters affect either the Serial Trigger Setup or the Bus Display.

<b>Conditions</b>	This command requires a DPO4AUTO, DPO4EMBD, or DPO4COMP application module.
<b>Group</b>	Bus
<b>Syntax</b>	BUS

### BUS:B<1-4>:AUDio:BITDelay

Sets or returns the number of delay bits for the AUDIO bus.

---

**NOTE.** *This command is applicable only for TDM audio bus type (BUS:B<x>AUDio:TYPE TDM)*

---

<b>Conditions</b>	This command requires DPO4AUDIO application module.
<b>Group</b>	Bus
<b>Syntax</b>	BUS:B<1-4>:AUDio:BITDelay <NR1> BUS:B<1-4>:AUDio:BITDelay?
<b>Arguments</b>	<NR1> specifies the number of delay bits.
<b>Examples</b>	BUS:B1:AUDIO:BITDELAY 2 sets the bit delay to 2. BUS:B1:AUDIO:BITDELAY? might return :BUS:B1:AUDIO:BITDELAY 1 indicating that the number of delay bits is 1.

### BUS:B<1-4>:AUDio:BITOrder

Sets or returns the bit order for the AUDIO bus.

<b>Conditions</b>	This command requires DPO4AUDIO application module.
-------------------	---

<b>Group</b>	Bus
<b>Syntax</b>	BUS:B<1-4>:AUDio:BITOrder {MSB LSB} BUS:B<1-4>:AUDio:BITOrder?
<b>Arguments</b>	MSB specifies that the most significant bit will be expected first in the order. LSB specifies that the least significant bit will be expected first in the order.
<b>Examples</b>	BUS:B1:AUDIO:BITORDER LSB sets the bit order to LSB. BUS:B1:AUDIO:BITORDER? might return :BUS:B1:AUDIO:BITORDER MSB indicating that the MSB is first in the bit order.

## BUS:B<1-4>:AUDio:CHANnel:SIZE

Sets or returns the number of bits per channel for the AUDIO bus.

---

**NOTE.** This command is applicable only for TDM audio bus type  
(BUS:B<X>AUDio:TYPE TDM)

---

<b>Conditions</b>	This command requires DPO4AUDIO application module.
<b>Group</b>	Bus
<b>Syntax</b>	BUS:B<1-4>:AUDio:CHANnel:SIZE <NR1> BUS:B<1-4>:AUDio:CHANnel:SIZE?
<b>Arguments</b>	<NR1> specifies the number of bits per channel.
<b>Examples</b>	BUS:B1:AUDIO:CHANNEL:SIZE 8 sets the number of bits per channel to 8. BUS:B1:AUDIO:CHANNEL:SIZE? might return :BUS:B1:AUDIO:CHANNEL:SIZE 24 indicating that the number of bits per channel is 24.

## BUS:B<1-4>:AUDio:CLOCK:POLarity

Sets or returns the clock polarity for the AUDIO bus.

<b>Conditions</b>	This command requires DPO4AUDIO application module.
<b>Group</b>	Bus
<b>Syntax</b>	<code>BUS:B&lt;1-4&gt;:AUDio:CLOCK:POLArity {FALL RISe}</code> <code>BUS:B&lt;1-4&gt;:AUDio:CLOCK:POLArity?</code>
<b>Arguments</b>	FALL sets falling edge as the clock polarity. RISe sets rising edge as the clock polarity.
<b>Examples</b>	<code>BUS:B1:AUDIO:CLOCK:POLARITY Fall</code> sets the clock polarity to Fall. <code>BUS:B1:AUDIO:CLOCK:POLARITY?</code> might return <code>:BUS:B1:AUDIO:CLOCK:POLARITY RISe</code> indicating that the clock polarity is set to Rise.

## BUS:B<1-4>:AUDio:CLOCK:SOURCE

Sets or returns the clock source waveform for the AUDIO bus.

<b>Conditions</b>	This command requires DPO4AUDIO application module.
<b>Group</b>	Bus
<b>Syntax</b>	<code>BUS:B&lt;1-4&gt;:AUDio:CLOCK:SOURCE {CH1 CH2 CH3 CH4 D0 D1 D2 D3 D4 D5 D6 D7 D8 D9 D10 D11 D12 D13 D14 D15}</code> <code>BUS:B&lt;1-4&gt;:AUDio:CLOCK:SOURCE?</code>
<b>Arguments</b>	CH1–CH4 or D0–D15 specifies the clock source for the audio bus.
<b>Examples</b>	<code>BUS:B1:AUDIO:CLOCK:SOURCE D1</code> sets D1 as the clock source for the audio bus. <code>BUS:B1:AUDIO:CLOCK:SOURCE?</code> might return <code>:BUS:B1:AUDIO:CLOCK:SOURCE CH1</code> indicating that the clock source is set to CH1.

## BUS:B<1-4>:AUDio:DATA:POLarity

Sets or returns the data polarity for the AUDIO bus.

**Conditions** This command requires DPO4AUDIO application module.

**Group** Bus

**Syntax** BUS:B<1-4>:AUDio:DATA:POLarity {NORMAL|INVERTed}  
BUS:B<1-4>:AUDio:DATA:POLarity?

**Arguments** NORMAL specifies positive data polarity for the audio bus.  
INVERTed specifies negative data polarity for the audio bus.

**Examples** BUS:B1:AUDIO:DATA:POLARITY INVERTed sets the data polarity to Inverted.  
BUS:B1:AUDIO:DATA:POLARITY? might return  
:BUS:B1:AUDIO:DATA:POLARITY NORMAL indicating that the data polarity is set to Normal.

## BUS:B<1-4>:AUDio:DATA:SIZE

Sets or returns the number of bits per word for the AUDIO bus.

---

**NOTE.** *The number of bits specified for this command must be always less than or equal to the number of bits per channel (BUS:B<x>:AUDio:CHANnel:SIZE)*

---

**Conditions** This command requires DPO4AUDIO application module.

**Group** Bus

**Syntax** BUS:B<1-4>:AUDio:DATA:SIZE <NR1>  
BUS:B<1-4>:AUDio:DATA:SIZE?

**Arguments** NR1 specifies the number of bits per word.



**Examples** `BUS:B1:AUDIO:DATA:SIZE 8` sets the number of bits per word to 8.  
`BUS:B1:AUDIO:DATA:SIZE?` might return `:BUS:B1:AUDIO:DATA:SIZE 24` indicating that the number of bits per word is set to 24.

## BUS:B<1-4>:AUDio:DATa:SOUrce

Sets or returns the data source waveform for the AUDIO bus.

**Conditions** This command requires DPO4AUDIO application module.

**Group** Bus

**Syntax** `BUS:B<1-4>:AUDio:DATa:SOUrce {CH1|CH2|CH3|CH4|D0|D1|D2|D3|D4|D5|D6|D7|D8|D9|D10|D11|D12|D13|D14|D15}`  
`BUS:B<1-4>:AUDio:DATa:SOUrce?`

**Arguments** CH1–Ch4 or D0–D15 specifies the channel to use for data source for the audio bus.

**Examples** `BUS:B1:AUDIO:DATA:SOURCE D1` sets the data source to D1.  
`BUS:B1:AUDIO:DATA:SOURCE?` might return `:BUS:B1:AUDIO:DATA:SOURCE CH3` indicating that the data source is set to CH3.

## BUS:B<1-4>:AUDio:DISplay:FORMat

Sets or returns the display format for the AUDIO bus.

**Conditions** This command requires DPO4AUDIO application module.

**Group** Bus

**Syntax** `BUS:B<1-4>:AUDio:DISplay:FORMat {BINary|HEXadecima1|SIGNeDDECima1}`  
`BUS:B<1-4>:AUDio:DISplay:FORMat?`

**Arguments** BINary specifies a binary data display.  
 HEXadecima1 specifies a hexadecimal data display.

SIGNEDDECIMAL specifies a signed decimal data display.

**Examples**    `BUS:B1:AUDIO:DISPLAY:FORMAT BINARY` sets the display format to Binary.  
`BUS:B1:AUDIO:DISPLAY:FORMAT?` might return  
`:BUS:B1:AUDIO:DISPLAY:FORMAT SIGNEDDECIMAL` indicating that the display format is set to signed decimal.

## **BUS:B<1-4>:AUDIO:FRAME:SIZE**

Sets or returns the number of channels in each frame for the AUDIO bus.

---

**NOTE.** *This command is applicable only for TDM audio bus type (BUS:B<X>AUDIO:TYPE TDM)*

---

**Conditions**    This command requires DPO4AUDIO application module.

**Group**        Bus

**Syntax**        `BUS:B<1-4>:AUDIO:FRAME:SIZE <NR1>`  
`BUS:B<1-4>:AUDIO:FRAME:SIZE?`

**Arguments**    `<NR1>` specifies the number of channels in each frame.

**Examples**        `BUS:B1:AUDIO:FRAME:SIZE 2` sets the frame size to 2.  
`BUS:B1:AUDIO:FRAME:SIZE?` might return `:BUS:B1:AUDIO:FRAME:SIZE 8` indicating that the number of channels in each frame is set to 8.

## **BUS:B<1-4>:AUDIO:FRAMESync:POLarity**

Sets or returns the frame sync polarity for the AUDIO bus.

**Conditions**    This command requires DPO4AUDIO application module.

**Group**        Bus

**Syntax**        `BUS:B<1-4>:AUDIO:FRAMESync:POLarity {FALL|RISE}`  
`BUS:B<1-4>:AUDIO:FRAMESync:POLarity?`

**Arguments** FALL specifies the falling edge as the frame sync polarity.  
RISe specifies the rising edge as the frame sync polarity.

**Examples** BUS:B1:AUDIO:FRAMESYNC:POLARITY FALL sets the falling edge for frame sync polarity.

BUS:B1:AUDIO:FRAMESYNC:POLARITY? might return  
:BUS:B1:AUDIO:FRAMESYNC:POLARITY RISe indicating that the polarity is set to Rise.

## BUS:B<1-4>:AUDio:FRAMESync:SOUrce

Sets or returns the frame sync source waveform for the AUDIO bus.

**Conditions** This command requires DPO4AUDIO application module.

**Group** Bus

**Syntax** BUS:B<1-4>:AUDio:FRAMESync:SOUrce {CH1|CH2|CH3|CH4|D0|D1|D2|D3|D4|D5|D6|D7|D8|D9|D10|D11|D12|D13|D14|D15}  
BUS:B<1-4>:AUDio:FRAMESync:SOUrce?

**Arguments** CH1-CH4 or D0-D15 specifies the channel to use as the frame sync source.

**Examples** BUS:B1:AUDIO:FRAMESYNC:SOURCE CH1 sets CH1 as the frame sync source.

BUS:B1:AUDIO:FRAMESYNC:SOURCE? might return  
:BUS:B1:AUDIO:FRAMESYNC:SOURCE Ch2 indicating that the source is set to Ch2.

## BUS:B<1-4>:AUDio:TYPE

Sets or returns the audio format (type) for the AUDIO bus.

**Conditions** This command requires DPO4AUDIO application module.

**Group** Bus

**Syntax**     `BUS:B<1-4>:AUDIO:TYPE {I2S|LJ|RJ|TDM}`  
`BUS:B<1-4>:AUDIO:TYPE?`

**Arguments**     I2S specifies I2S audio format.  
LJ specifies left-justified audio format.  
RJ specifies right justified audio format.  
TDM specifies time-division multiplexing audio format.

**Examples**     `BUS:B1:AUDIO:TYPE RJ` sets right-justified as the audio format.  
`BUS:B1:AUDIO:TYPE?` might return `:BUS:B1:AUDIO:TYPE I2S` indicating that the audio format is set to I2S.

## **BUS:B<1-4>:AUDIO:WORDSel:POLarity**

Sets or returns the word select polarity for the AUDIO bus.

**Conditions**     This command requires DPO4AUDIO application module.

**Group**     Bus

**Syntax**     `BUS:B<1-4>:AUDIO:WORDSel:POLarity {NORMAL|INVERTed}`  
`BUS:B<1-4>:AUDIO:WORDSel:POLarity?`

**Arguments**     NORMAL specifies positive WORDSel polarity.  
INVERTed specifies negative WORDSel polarity.

**Examples**     `BUS:B1:AUDIO:WORDSEL:POLARITY NORMAL` sets normal as the word select polarity.  
`BUS:B1:AUDIO:WORDSEL:POLARITY?` might return `:BUS:B1:AUDIO:WORDSEL:POLARITY NORMAL` indicating that the word select polarity is set to normal.

## **BUS:B<1-4>:AUDIO:WORDSel:SOURce**

Sets or returns the word select source waveform for the AUDIO bus.

**Conditions**     This command requires DPO4AUDIO application module.

<b>Group</b>	Bus
<b>Syntax</b>	<code>BUS:B&lt;1-4&gt;:AUDIO:WORDSEL:SOURCE {CH1 CH2 CH3 CH4  D0 D1 D2 D3 D4 D5 D6 D7 D8 D9 D10 D11 D12 D13 D14 D15}</code> <code>BUS:B&lt;1-4&gt;:AUDIO:WORDSEL:SOURCE?</code>
<b>Arguments</b>	CH1-CH4 specifies the channel to use as the word select source. D0-D15 specifies the digital channel to use as the word select source.
<b>Examples</b>	<code>BUS:B1:AUDIO:WORDSEL:SOURCE CH1</code> sets CH1 as the word select source. <code>BUS:B1:AUDIO:WORDSEL:SOURCE?</code> might return <code>:BUS:B1:AUDIO:WORDSEL:SOURCE CH2</code> indicating that the word select source is set to CH2.

## BUS:B<x>:CAN:BITRate

Sets or returns the bit rate for CAN bus <x>, where x is the bus number.

<b>Conditions</b>	This command requires a DPO4AUTO application module.
<b>Group</b>	Bus
<b>Syntax</b>	<code>BUS:B&lt;x&gt;:CAN:BITRate &lt;NR1&gt;   {RATE10K RATE20K RATE33K RATE37K RATE50K RATE62K  RATE83K RATE92K RATE100K RATE125K RATE250K RATE500K  RATE800K RATE1M}</code> <code>BUS:B&lt;x&gt;:CAN:BITRate?</code>
<b>Arguments</b>	<NR1> is the bit rate. The instrument supports bit rates at 10 bps intervals. You can enter any positive integer, and the instrument will coerce the value to the closest supported bit rate.
<b>Returns</b>	The query always returns the numerical bit rate value.
<b>Examples</b>	<code>bus:b1:can:bitrate rate400k</code> sets the CAN bit rate to 400K. <code>bus:b1:can:bitrate?</code> might return <code>:BUS:B1:CAN:BITRATE RATE800K</code> indicating the bit rate is set to 800K.

## BUS:B<x>:CAN:PRObe

Sets or returns the probing method to probe CAN bus <x>, where x is the bus number.

**Conditions** This command requires a DPO4AUTO application module.

**Group** Bus

**Syntax** BUS:B<x>:CAN:PRObe {CANH|CANL|RX|TX|DIFFerential}  
BUS:B<x>:CAN:PRObe?

**Arguments** CANH specifies the single-ended CANH signal, as specified by the CAN standard.  
CANL specifies the single-ended CANL signal, as specified by the CAN standard.  
RX specifies the receive signal on the bus side of the CAN transceiver.  
TX specifies the transmit signal.  
DIFFerential specifies the differential CAN signal.

## BUS:B<x>:CAN:SAMPLEpoint

Sets or returns the sampling point during each bit period for bus <x>, where x is the bus number

**Conditions** This command requires a DPO4AUTO application module.

**Group** Bus

**Syntax** BUS:B<x>:CAN:SAMPLEpoint <NR1>  
BUS:B<x>:CAN:SAMPLEpoint?

**Arguments** <NR1> is the sample point in percent. Values are limited to 25, 30, ... 70, 75.

## BUS:B<x>:CAN:SOURce

Sets or returns the CAN bus data source for bus <x>, where x is the bus number.

**Conditions** This command requires a DPO4AUTO application module.

**Group** Bus

**Syntax** `BUS:B<x>:CAN:SOURce {CH1|CH2|CH3|CH4|D0|D1|D2|D3|D4|D5|D6|D7|D8|D9|D10|D11|D12|D13|D14|D15}`  
`BUS:B<x>:CAN:SOURce?`

**Arguments** CH1–CH4 is the analog channel to use as the data source.  
D0–D15 is the digital channel to use as the data source.

## BUS:B<x>:DISPlay:FORMAt

Sets or returns the display format for the numerical information in the bus waveform <x>, where x is the bus number.

**Conditions** This command requires a DPO4AUTO, DPO4EMBD, or DPO4COMP application module.

**Group** Bus

**Syntax** `BUS:B<x>:DISPlay:FORMAt {BINary|HEXadecimal|ASCII|MIXed}`  
`BUS:B<x>:DISPlay:FORMAt?`

**Related Commands** [BUS:B<x>:TYPE](#)

**Arguments** BINary specifies a binary data display.  
HEXadecimal specifies a hexadecimal data display.  
ASCII specifies an ASCII format for RS-232 only.  
MIXed specifies a mixed format for LIN and FlexRay only.

## BUS:B<x>:DISPlay:TYPE

Sets or returns the display type for bus <x>, where x is the bus number. You can set up the bus to display the protocol information, the logic waveforms that comprise the bus, or both.

**Conditions** This command requires a DPO4AUTO, DPO4EMBD, or DPO4COMP application module.

<b>Group</b>	Bus
<b>Syntax</b>	BUS:B<x>:DISPlay:TYPe {BUS BOTH} BUS:B<x>:DISPlay:TYPe?
<b>Arguments</b>	BUS displays the bus waveforms only. BOTH displays both the bus and logic waveforms.

## BUS:B<x>:FLEXray:BITRate

Sets or returns the bit rate for FLEXRAY.

<b>Group</b>	Bus
<b>Syntax</b>	BUS:B<x>:FLEXray:BITRate <NR1> BUS:B<x>:FLEXray:BITRate?
<b>Arguments</b>	<NR1> specifies the FLEXRAY bit rate. You can enter any positive integer, and the instrument will coerce the value to the closest supported bit rate.
<b>Examples</b>	BUS:B1:FLEXRAY:BITRATE 9600 sets the FLEXRAY bit rate to 9600 bits per second.  BUS:B1:FLEXRAY:BITRATE? might return BUS:B1:FLEXRAY:BITRATE 10000000 indicating the FLEXRAY bit rate is 10,000,000 bits per second.

## BUS:B<x>:FLEXray:CHannel

Sets or returns the FLEXRAY ID format.

<b>Group</b>	Bus
<b>Syntax</b>	BUS:B<x>:FLEXray:CHanne1 {A B} BUS:B<x>:FLEXray:CHanne1?
<b>Arguments</b>	A sets the FLEXRAY id format to channel A. B sets the FLEXRAY id format to channel B.



**Examples** `BUS:B1:FLEXRAY:CHANNEL B` sets the FLEXRAY id format to channel B.  
`BUS:B1:FLEXRAY:CHANNEL?` might return `BUS:B1:FLEXRAY:CHANNEL A` indicating that FLEXRAY id format is channel A.

## BUS:B<x>:FLEXray:SIGnal

Sets or returns the FLEXRAY standard.

**Group** Bus

**Syntax** `BUS:B<x>:FLEXray:SIGna1 {BDIFFBP|BM|TXRX}`  
`BUS:B<x>:FLEXray:SIGna1?`

**Arguments** `BDIFFBP` sets the FLEXRAY standard to `BDIFFBP`.  
`BM` sets the FLEXRAY standard to `BM`.  
`TXRX` sets the FLEXRAY standard to `TXRX`.

**Examples** `BUS:B1:FLEXRAY:SIGNAL BM` sets the FLEXRAY standard is `BM`.  
`BUS:B1:FLEXRAY:SIGNAL?` might return `BUS:B1:FLEXRAY:SIGNAL BDIFFBP` indicating the FLEXRAY standard is `BDIFFBP`.

## BUS:B<x>:FLEXray:SOUrce

Sets or returns the FLEXRAY data source.

**Group** Bus

**Syntax** `BUS:B<x>:FLEXray:SOUrce`  
`{CH1|CH2|CH3|CH4|D0|D1|D2|D3|D4|D5|D6|D7|D8|D9|D10|D11|D12|D13|D14|D15|D16}`  
`BUS:B<x>:FLEXray:SOUrce?`

**Arguments** `CH<x>` sets the FLEXRAY source to channel `x`, where `x` is 1 to 4.  
`D<x>` sets the FLEXRAY source to digital channel `x`, where `x` is 1 to 16.

**Examples** `BUS:B1:FLEXRAY:SOURCE CH4` sets the FLEXRAY source to channel 4.  
`BUS:B1:FLEXRAY:SOURCE?` might return `BUS:B1:FLEXRAY:SOURCE CH1` indicating the FLEXRAY source is channel 1.

## **BUS:B<x>:I2C:ADDRESS:RWINCLUDE**

Sets and returns whether the read/write bit is included in the address.

**Group** Bus

**Syntax** `BUS:B<x>:I2C:ADDRESS:RWINCLUDE {<NR1>|OFF|ON}`  
`BUS:B<x>:I2C:ADDRESS:RWINCLUDE?`

**Arguments** <NR1> = 0 does not include the read/write bit in the address; any other value includes the read/write bit in the address..

OFF does not include the read/write bit in the address.

ON includes the read/write bit in the address.

**Examples** `BUS:B1:I2C:ADDRESS:RWINCLUDE ON` includes the read/write bit in the address.  
`BUS:B1:I2C:ADDRESS:RWINCLUDE?` might return  
`BUS:B1:I2C:ADDRESS:RWINCLUDE 0` indicating the read/write bit is not included in the address.

## **BUS:B<x>:I2C{CLOCK|SCLK}:SOURCE**

Sets or returns the I2C SCLK source for bus <x>, where x is the bus number.

**Conditions** This command requires a DPO4EMBD or DPO4COMP application module.

**Group** Bus

**Syntax** `BUS:B<x>:I2C{CLOCK|SCLK}:SOURCE {CH1|CH2|CH3|CH4|D0|D1|D2|D3|D4|D5|D6|D7|D8|D9|D10|D11|D12|D13|D14|D15}`  
`BUS:B<x>:I2C{CLOCK|SCLK}:SOURCE?`

**Arguments** CH1–CH4 specifies the analog channel to use as the I2C SCLK source.  
D0–D15 specifies the digital channel to use as the I2C SCLK source.

## BUS:B<x>:I2C{:DATA|:SDATA}:SOURce

Sets or returns the I2C SDATA source for bus <x>, where x is the bus number.

**Conditions** This command requires a DPO4EMBD application module.

**Group** Bus

**Syntax** BUS:B<x>:I2C{:DATA|:SDATA}:SOURce {CH1|CH2|CH3|CH4|D0|D1|D2|D3|D4|D5|D6|D7|D8|D9|D10|D11|D12|D13|D14|D15}  
BUS:B<x>:I2C{:DATA|:SDATA}:SOURce?

**Arguments** CH1–CH4 specifies the analog channel to use as the I2C SDATA source.  
D0–D15 specifies the digital channel to use as the I2C SCLK source.

## BUS:B<x>:LABel

Sets or returns the waveform label for bus <x>, where x is the bus number 1 through 4.

**Group** Bus

**Syntax** BUS:B<x>:LABel <Qstring>  
BUS:B<x>:LABel?

**Arguments** <Qstring> is an alphanumeric string of text, enclosed in quotes, that contains the text label information for bus <x>. The text string is limited to 30 characters.

## BUS:B<x>:LIN:BITRate

Sets or returns the bit rate for LIN.

**Group** Bus

**Syntax** `BUS:B<x>:LIN:BITRate <NR1>`  
`BUS:B<x>:LIN:BITRate?`

**Arguments** `<NR1>` is the LIN bit rate. You can enter any positive integer, and the instrument will coerce the value to the closest supported bit rate.

**Examples** `BUS:B1:LIN:BITRATE 9600` sets the bit rate 9600.  
`BUS:B1:LIN:BITRATE?` might return `BUS:B1:LIN:BITRATE 2400` indicating the bit rate is set to 2400.

## BUS:B<x>:LIN:IDFORmat

Sets or returns the LIN ID format.

**Group** Bus

**Syntax** `BUS:B<x>:LIN:IDFORmat {NOPARity|PARity}`  
`BUS:B<x>:LIN:IDFORmat?`

**Arguments** `NOPARity` sets the LIN id format to no parity.  
`PARity` sets the LIN id format to parity.

**Examples** `BUS:B1:LIN:IDFORMAT PARITY` sets the LIN id format to parity.  
`BUS:B1:LIN:IDFORMAT?` might return `BUS:B1:LIN:IDFORMAT NOPARITY` indicating the LIN id format is no parity.

## BUS:B<x>:LIN:POLARity

Sets or returns the LIN polarity.

**Group** Bus

**Syntax** `BUS:B<x>:LIN:POLARity {NORMal|INVerted}`  
`BUS:B<x>:LIN:POLARity?`

**Arguments** `NORMal` specifies normal LIN polarity.  
`INVerted` specifies inverted LIN polarity.

**Examples** `BUS:B1:LIN:POLARITY INVERTED` sets the LIN polarity to INVERTED..  
`BUS:B1:LIN:POLARITY?` might return `BUS:B1:LIN:POLARITY NORMAL` indicating the LIN polarity is normal.

## BUS:B<x>:LIN:SAMPLEpoint

Sets or returns the sample point (in %) at which to sample during each bit period.

**Group** Bus

**Syntax** `BUS:B<x>:LIN:SAMPLEpoint <NR1>`  
`BUS:B<x>:LIN:SAMPLEpoint?`

**Arguments** <NR1> is the sample point (in %) at which to sample during each bit period.

**Examples** `BUS:B1:LIN:SAMPLEPOINT 10` sets the sample point is at 10% of the bit period  
`BUS:B1:LIN:SAMPLEPOINT?` might return `BUS:B1:LIN:SAMPLEPOINT 50` indicating that the sample point is at 50% of the bit period

## BUS:B<x>:LIN:SOURce

Sets or returns the LIN data source.

**Group** Bus

**Syntax** `BUS:B<x>:LIN:SOURce`  
`{CH1|CH2|CH3|CH4|D0|D1|D2|D3|D4|D5|D6|D7|D8|D9|D10|D11|D12|D13|D14|D15}`  
`BUS:B<x>:LIN:SOURce?`

**Arguments** CH<x> specifies the LIN source channel where x is 1 to 4.  
D<x> specifies the LIN source channel where x is 1 to 16.

**Examples** `BUS:B1:LIN:SOURCE CH4` sets the LIN source to channel 4.  
`BUS:B1:LIN:SOURCE?` might return `BUS:B1:LIN:SOURCE CH1` indicating the LIN source is channel 1.

## BUS:B<x>:LIN:STANDARD

Sets or returns the LIN standard.

**Group** Bus

**Syntax** BUS:B<x>:LIN:STANDARD {V1X|V2X|MIXed}  
BUS:B<x>:LIN:STANDARD?

**Arguments** V1X sets the LIN standard to V1X.  
V2X sets the LIN standard to V2X  
MIXed sets the LIN standard to MIXED.

**Examples** BUS:B1:LIN:STANDARD V1X sets the LIN standard is V1X.  
BUS:B1:LIN:STANDARD? might return BUS:B1:LIN:STANDARD V2X  
indicating the LIN standard is V2X.

## BUS:B<x>:PARAllel:BIT<x>:SOURce

Sets or returns the parallel bit source for B<x>, where x is the bus number and Bit<x> is the bit number.

**Group** Bus

**Syntax** BUS:B<x>:PARAllel:BIT<x>:SOURce {CH1|CH2|CH3|CH4|  
D0|D1|D2|D3|D4|D5|D6|D7|D8|D9|D10|D11|D12|D13|D14|D15}  
BUS:B<x>:PARAllel:BIT<x>:SOURce?

**Arguments** CH1–CH4 or D0–D15 specifies the bit source B<x>. BIT<x> specifies the bit number.

## BUS:B<x>:PARAllel:CLOCK:EDGE

Sets or returns the parallel clock edge for bus <x>, where x is the bus number.

**Group** Bus

**Syntax** BUS:B<x>:PARAllel:CLOCK:EDGE {EITHer|RISing|FALling}  
 BUS:B<x>:PARAllel:CLOCK:EDGE?

**Arguments** EITHer specifies either edge as the clock edge.  
 RISing specifies the rising edge as the clock edge.  
 FALling specifies the falling edge as the clock edge.

## BUS:B<x>:PARAllel:CLOCK:ISCLOCKed

Sets or returns the parallel bus clock function for bus <x>, where x is the bus number.

**Group** Bus

**Syntax** BUS:B<x>:PARAllel:CLOCK:ISCLOCKed {YES|NO}  
 BUS:B<x>:PARAllel:CLOCK:ISCLOCKed?

**Arguments** YES specifes that the Parallel bus is clocked.  
 NO specifes that the Parallel bus is not clocked.

## BUS:B<x>:PARAllel:CLOCK:SOURce

Sets or returns the Parallel bus source <x>, where x is the bus number.

**Group** Bus

**Syntax** BUS:B<x>:PARAllel:CLOCK:SOURce {CH1|CH2|CH3|CH4|  
 D0|D1|D2|D3|D4|D5|D6|D7|D8|D9|D10|D11|D12|D13|D14|D15}  
 BUS:B<x>:PARAllel:CLOCK:SOURce?

**Arguments** CH1–CH4 or D0–D15 specifies the channel to use as the Parallel bit source.

## BUS:B<x>:PARAllel:WIDth

Sets or returns the number of bits used for the width of the Parallel bus <x>, where x is the bus number.

**Group** Bus

**Syntax** BUS:B<x>:PARAllel:WIDth <NR1>  
BUS:B<x>:PARAllel:WIDth?

**Arguments** <NR1> is the number of bits.

## BUS:B<x>:POSITION

Sets or returns the position of the bus <x> waveform on the display, where x is the bus number 1 through 4.

**Conditions** This command requires a DPO4AUTO, DPO4EMBD, or DPO4COMP application module.

**Group** Bus

**Syntax** BUS:B<x>:POSITION <NR3>  
BUS:B<x>:POSITION?

**Arguments** <NR3> specifies the position.

## BUS:B<x>:RS232C:BITRate

Sets or returns the RS-232 bit rate for bus <x>, where x is the bus number.

**Conditions** This command requires a DPO4COMP application module.

**Group** Bus

**Syntax** BUS:B<x>:RS232C:BITRate <NR1>  
BUS:B<x>:RS232C:BITRate?

**Arguments** <NR1> is the bit rate in bits-per-second. You can enter any positive integer, and the instrument will coerce the value to the closest supported bit rate.



## BUS:B<x>:RS232C:DATAbits

Sets or returns the number of RS-232 data bits for bus <x>, where x is the bus number.

**Conditions** This command requires a DPO4COMP application module.

**Group** Bus

**Syntax** BUS:B<x>:RS232C:DATAbits {7|8}  
BUS:B<x>:RS232C:DATAbits?

**Arguments** 7 specifies seven bits in the RS-232 data frame.  
8 specifies eight bits in the RS-232 data frame.

## BUS:B<x>:RS232C:DELIMiter

Sets or returns the RS-232 delimiting value for a packet on bus <x>, where x is the bus number.

**Conditions** This command requires a DPO4COMP application module.

**Group** Bus

**Syntax** BUS:B<x>:RS232C:DELIMiter {NUL|LF|CR|Space|XFF}  
BUS:B<x>:RS232C:DELIMiter?

**Arguments** NUL specifies 0x00.  
LF specifies 0x0A.  
CR specifies 0x0D.  
XFF specifies 0xFF.

## BUS:B<x>:RS232C:DISplaymode

Sets or returns the display mode for the bus <x> display and event table, where x is the bus number.

<b>Conditions</b>	This command requires a DPO4COMP application module.
<b>Group</b>	Bus
<b>Syntax</b>	<code>BUS:B&lt;x&gt;:RS232C:DISPlaymode {FRame PACKET}</code> <code>BUS:B&lt;x&gt;:RS232C:DISPlaymode?</code>
<b>Arguments</b>	FRame displays each frame as a single entity. PACKET displays a group of frames terminated with a single frame defined by the <code>BUS:B&lt;x&gt;:RS232C:DELImi ter</code> command or the front panel.

## **BUS:B<x>:RS232C:PARity**

Sets or returns the RS-232C parity for bus <x>, where x is the bus number.

<b>Conditions</b>	This command requires a DPO4COMP application module.
<b>Group</b>	Bus
<b>Syntax</b>	<code>BUS:B&lt;x&gt;:RS232C:PARity {NONE EVEN ODD}</code> <code>BUS:B&lt;x&gt;:RS232C:PARity?</code>
<b>Arguments</b>	NONE specifies no parity. EVEN specifies even parity. ODD specifies odd parity.

## **BUS:B<x>:RS232C:POLarity**

Sets or returns the RS-232C polarity for bus <x>, where x is the bus number.

<b>Conditions</b>	This command requires a DPO4COMP application module.
<b>Group</b>	Bus
<b>Syntax</b>	<code>BUS:B&lt;x&gt;:RS232C:POLarity {NORMal INVERTed}</code> <code>BUS:B&lt;x&gt;:RS232C:POLarity?</code>

**Arguments**    **NORMa1** sets the RS-232C bus polarity to positive.  
**INVERTed** sets the RS-232C bus polarity to negative.

## **BUS:B<x>:RS232C:RX:SOURce**

Sets or returns the RS-232 RX source for bus <x>, where x is the bus number.

**Conditions**    This command requires a DPO4COMP application module.

**Group**        Bus

**Syntax**        **BUS:B<x>:RS232C:RX:SOURce** {CH1|CH2|CH3|CH4|  
D0|D1|D2|D3|D4|D5|D6|D7|D8|D9|D10|D11|D12|D13|D14|D15|off}  
**BUS:B<x>:RS232C:RX:SOURce?**

**Arguments**    CH1–CH4 or D0–D15 specifies the channel to use for the RS-232 RX source.  
**off** sets the specified bus input to off.

## **BUS:B<x>:RS232C:TX:SOURce**

Sets or returns the RS-232 TX Source for bus <x>, where x is the bus number.

**Conditions**    This command requires a DPO4COMP application module.

**Group**        Bus

**Syntax**        **BUS:B<x>:RS232C:TX:SOURce** {CH1|CH2|CH3|CH4|  
D0|D1|D2|D3|D4|D5|D6|D7|D8|D9|D10|D11|D12|D13|D14|D15|off}  
**BUS:B<x>:RS232C:TX:SOURce?**

**Arguments**    CH1–CH4 or D0–D15 specifies the channel to use as the RS-232 TX source.  
**off** sets the specified bus input to off.

## **BUS:B<x>:SPI:BITOrder**

Sets or returns the bit order for the specified SPI bus. LSB is least significant bit first; MSB is most significant bit first.

<b>Group</b>	Bus
<b>Syntax</b>	BUS:B<x>:SPI:BITOrder {LSB MSB} BUS:B<x>:SPI:BITOrder?
<b>Arguments</b>	LSB sets the bit order to least significant bit first. MSB sets the bit order to most significant bit first.
<b>Examples</b>	BUS:B1:SPI:BITORDER LSB sets the bit order to least significant bit first. BUS:B1:SPI:BITORDER? might return BUS:B1:SPI:BITORDER MSB indicating the SPI bit order is set to most significant bit first.

## BUS:B<x>:SPI{:CLOCK|:SCLK}:POLARity

Sets or returns the SPI SCLK polarity for bus <x>, where x is the bus number.

<b>Conditions</b>	This command requires a DPO4EMBD application module.
-------------------	--

<b>Group</b>	Bus
<b>Syntax</b>	BUS:B<x>:SPI{:CLOCK :SCLK}:POLARity {FALL RISe} BUS:B<x>:SPI{:CLOCK :SCLK}:POLARity?
<b>Arguments</b>	FALL specifies the falling edge. RISe specifies the rising edge.

## BUS:B<x>:SPI{:CLOCK|:SCLK}:SOUrce

Sets or returns the SPI SCLK source for bus <x>, where x is the bus number.

<b>Conditions</b>	This command requires a DPO4EMBD application module.
-------------------	--

<b>Group</b>	Bus
<b>Syntax</b>	BUS:B<x>:SPI{:CLOCK :SCLK}:SOUrce {CH1 CH2 CH3 CH4 D0 D1 D2 D3 D4 D5 D6 D7 D8 D9 D10 D11 D12 D13 D14 D15} BUS:B<x>:SPI{:CLOCK :SCLK}:SOUrce?

**Arguments** CH1-CH4 or D0-D15 is the channel to use as the SPI SCLK source.

## **BUS:B<x>:SPI:DATA{:IN|:MISO}:POLARity**

Sets or returns the SPI MISO polarity for bus <x>, where x is the bus number.

**Conditions** This command requires a DPO4EMBD application module.

**Group** Bus

**Syntax** BUS:B<x>:SPI:DATA{:IN|:MISO}:POLARity {LOW|HIGH}  
 BUS:B<x>:SPI:DATA{:IN|:MISO}:POLARity?

**Arguments** LOW specifies an active low polarity.  
 HIGH specifies an active high polarity.

## **BUS:B<x>:SPI:DATA{:IN|:MISO}:SOUrce**

Sets or returns the SPI MISO source for bus <x>, where x is the bus number.

**Conditions** This command requires a DPO4EMBD application module.

**Group** Bus

**Syntax** BUS:B<x>:SPI:DATA{:IN|:MISO}:SOUrce {CH1|CH2|CH3|CH4|  
 D0|D1|D2|D3|D4|D5|D6|D7|D8|D9|D10|D11|D12|D13|D14|D15}  
 BUS:B<x>:SPI:DATA{:IN|:MISO}:SOUrce?

**Arguments** CH1-CH4 or D0-D15 is the channel to use as the SPI MISO source.

## **BUS:B<x>:SPI:DATA{:OUT|:MOSI}:POLARity**

Sets or returns the SPI MOSI polarity for bus <x>, where x is the bus number.

**Conditions** This command requires a DPO4EMBD application module.

<b>Group</b>	Bus
<b>Syntax</b>	BUS:B<x>:SPI:DATA{:OUT :MOSI}:POLARity {LOW HIGH} BUS:B<x>:SPI:DATA{:OUT :MOSI}:POLARity?
<b>Arguments</b>	LOW specifies the active low polarity. HIGH specifies the active high polarity.

## BUS:B<x>:SPI:DATA{:OUT|:MOSI}:SOURCE

Sets or returns the SPI MOSI source for bus <x>, where x is the bus number>.

<b>Conditions</b>	This command requires a DPO4EMBD application module.
<b>Group</b>	Bus
<b>Syntax</b>	BUS:B<x>:SPI:DATA{:OUT :MOSI}:SOURCE {CH1 CH2 CH3 CH4 D0 D1 D2 D3 D4 D5 D6 D7 D8 D9 D10 D11 D12 D13 D14 D15} BUS:B<x>:SPI:DATA{:OUT :MOSI}:SOURCE?
<b>Arguments</b>	CH1-CH4 or D0-D15 is the channel to use as the SPI MISO source.

## BUS:B<x>:SPI:DATA:SIZE

Sets or returns the number of bits per word for the specified SPI bus.

<b>Group</b>	Bus
<b>Syntax</b>	BUS:B<x>:SPI:DATA:SIZE <NR1> BUS:B<x>:SPI:DATA:SIZE?
<b>Arguments</b>	NR1 is the data size of the specified bus.
<b>Examples</b>	BUS:B1:SPI:DATA:SIZE 8 sets the data size for the specified bus to 8 bits per word. BUS:B1:SPI:DATA:SIZE? might return BUS:B1:SPI:DATA:SIZE 8 indicating the data size for the SPI B1 bus is 8 bits per word.

## BUS:B<x>:SPI:FRAMING

Sets or returns the type of SPI framing.

<b>Group</b>	Bus
<b>Syntax</b>	BUS:B<x>:SPI:FRAMING {SS IDLEtime} BUS:B<x>:SPI:FRAMING?
<b>Arguments</b>	SS specifies framing by SS (non 2-wire). IDLEtime specifies framing by Idle Time (2-wire).
<b>Examples</b>	BUS:B1:SPI:FRAMING SS sets the SPI framing type to SS. BUS:B1:SPI:FRAMING IDELTIME might return BUS:B1:SPI:FRAMING IDELTIME indicating the SPI framing type is set to IDLETIME.

## BUS:B<x>:SPI:IDLETime

Sets or returns the SPI bus idle time in seconds for the specified bus.

<b>Group</b>	Bus
<b>Syntax</b>	BUS:B<x>:SPI:IDLETime <NR3> BUS:B<x>:SPI:IDLETime?
<b>Arguments</b>	NR3 is the SPI bus idle time in seconds.
<b>Examples</b>	BUS:B1:SPI:IDLETIME 100.0000E-9 sets the idle time to 100 ns. BUS:B1:SPI:IDLETIME? might return BUS:B1:SPI:IDLETIME 100.0000E-9 indicating the idle time is set to 100 ns.

## BUS:B<x>:SPI{:SElect|:SS}:POLARity

Sets or returns the SPI SS polarity for bus <x>, where x is the bus number.

<b>Conditions</b>	This command requires a DPO4EMBD application module.
-------------------	--

**Group** Bus

**Syntax** BUS:B<x>:SPI{:SElect|:SS}:POLARity {LOW|HIGH}  
 BUS:B<x>:SPI{:SElect|:SS}:POLARity?

**Arguments** LOW specifies an active low polarity.  
 HIGH specifies an active high polarity.

## BUS:B<x>:SPI{:SElect|:SS}:SOURCE

Sets or returns the SPI SS source for bus <x>, where x is the bus number.

**Conditions** This command requires a DPO4EMBD application module.

**Group** Bus

**Syntax** BUS:B<x>:SPI{:SElect|:SS}:SOURCE {CH1|CH2|CH3|CH4|  
 D0|D1|D2|D3|D4|D5|D6|D7|D8|D9|D10|D11|D12|D13|D14|D15}  
 BUS:B<x>:SPI{:SElect|:SS}:SOURCE?

**Arguments** CH1–CH4 or D0–D15 is the channel to use as the SPI SS source.

## BUS:B<x>:STATE

Sets or returns the on/off state of bus <x>, where x is the bus number.

**Group** Bus

**Syntax** BUS:B<x>:STATE {<NR1>|OFF|ON}  
 BUS:B<x>:STATE?

**Related Commands** [SElect:BUS<x>](#)

**Arguments** ON or <NR1> ≠ 0 turns on the bus.  
 OFF or <NR1> = 0 turns off the bus.



## BUS:B<x>:TYPE

Sets or returns the bus type for <x>, where x is the bus number. The supported bus types are dependent on the oscilloscope model and the installed application keys.

**Group** Bus

**Syntax** BUS:B<x>:TYPE {I2C|SPI|CAN|RS232C|PARAllel}  
BUS:B<x>:TYPE?

**Arguments** I2C specifies the Inter-IC bus.  
SPI specifies the Serial Peripheral Interface bus (not available on two-channel models).  
CAN specifies the Controller Area Network bus.  
RS232C specifies the RS-232C bus.  
PARAllel specifies the Parallel bus.

## BUS:LOWerthreshold:CH<x>

Sets the lower threshold for each channel. This applies to all search and trigger types that use the channel. This command supersedes the :BUS:THRESHOLD:CH<x> above.

**Group** Bus

**Syntax** BUS:LOWerthreshold:CH<x> {<NR3>|ECL|TTL}  
BUS:LOWerthreshold:CH<x>?

**Arguments** <NR3> specifies the threshold in volts.  
ECL specifies a preset ECL high level of -1.3V.  
TTL specifies a preset TTL high level of 1.4V.

**Examples** BUS:LOWERTHRESHOLD:CH1 TTL sets the CH1 lower threshold to 800mV.  
BUS:LOWERTHRESHOLD:CH1? might return :BUS:LOWERTHRESHOLD:CH1 -800.0000E-3 indicating the CH1 lower threshold is -800 mV.

## BUS:THReshold:CH<x>

Sets or returns the threshold for analog channel <x>, where x is the channel number. This setting applies to all trigger types that use the channel.

**Conditions** This command requires a DPO4AUTO, DPO4EMBD, or DPO4COMP application module.

**Group** Bus

**Syntax** BUS:THReshold:CH<x> {ECL|TTL|<NR3>}  
 BUS:THReshold:CH<x>?

**Related Commands** [TRIGger:A:LEVel:CH<x>](#)

**Arguments** ECL specifies a preset ECL high level of -1.3V.  
 TTL specifies a TTL preset high level of 1.4V.  
 <NR3> specifies the threshold level in volts.

## BUS:THReshold:D<x>

Sets or returns the threshold for digital channel <x>, where x is the digital channel number. This will apply to all Search and Trigger Types that use the channel.

**Conditions** This command requires a DPO4COMP application module or RS-232C.

**Group** Bus

**Syntax** BUS:THReshold:D<x> {<NR3>|ECL|TTL}  
 BUS:THReshold:D<x>?

**Related Commands** [TRIGger:A:LEVel:D<x>](#)

**Arguments** ECL specifies a preset ECL high level of -1.3V.  
 TTL specifies a preset TTL high level of 1.4V.  
 <NR3> specifies the threshold level in volts.

## BUS:UPPerthreshold:CH<x>

Sets the upper threshold for each channel. This applies to all search and trigger types that use the channel.

**Group** Bus

**Syntax** BUS:UPPerthreshold:CH<x> {<NR3>|ECL|TTL}  
 BUS:UPPerthreshold:CH<x>?

**Arguments** <NR3> specifies the threshold in volts.  
 ECL specifies a preset ECL high level of -1.3V.  
 TTL specifies a preset TTL high level of 1.4V.

**Examples** BUS:UPPERTHRESHOLD:CH1 800.0000E-3 sets the CH1 upper threshold to 800 mV.  
 BUS:UPPERTHRESHOLD:CH1? might return :BUS:UPPERTHRESHOLD:CH1 -800.0000E-3 indicating that the CH1 upper threshold is set to -800 mV.

## BUSY? (Query Only)

Returns the status of the oscilloscope. This command allows you to synchronize the operation of the oscilloscope with your application program.

**Group** Status and Error

**Syntax** BUSY?

**Related Commands** \*OPC, \*WAI

**Returns** <NR1> = 0 means the oscilloscope is not busy processing a command whose execution time is extensive.  
 <NR1> = 1 means the oscilloscope is busy processing one of the commands listed in the table below.

### Commands that affect BUSY? response

Operation	Command
Single sequence acquisition	ACQure:STATE ON or ACQure:STATE RUN or ACQure:STATE1 (when ACQure:STOPAfter is set to SEQUENCE)
Hard copy operation	HARDCopy STArt
Calibration step	Refer to the optional oscilloscope Service Manual.

**Examples** BUSY? might return :BUSY 1 indicating that the oscilloscope is currently busy.

## \*CAL? (Query Only)

Performs an internal self-calibration and returns the oscilloscope calibration status.

---

**NOTE.** *Disconnect or otherwise remove all input signals prior to starting self-calibration. The self-calibration can take several minutes to complete.*

*No other commands are executed until calibration is complete.*

---

**Group** Calibration and Diagnostic

**Syntax** \*CAL?

**Returns** <NR1> = 1 indicates the calibration did not complete successfully.  
<NR1> = 0 indicates the calibration completed without errors.

**Examples** \*CAL? starts the internal signal path calibration and might return 0 to indicate that the calibration was successful.

## CALibrate:FACTory:STATus? (Query Only)

Returns the factory calibration status value saved in nonvolatile memory.

**Group** Calibration and Diagnostic

**Syntax** CALibrate:FACTory:STATus?

**Examples** CALIBRATE:FACTORY:STATUS? might return CALIBRATE:FACTORY:STATUS PASS indicating that factory calibration passed.

## CALibrate:INTERNAL (No Query Form)

This command starts a signal path compensation.

**Group** Calibration and Diagnostic

**Syntax** CALibrate:INTERNAL

**Arguments** None

**Examples** CALIBRATE:INTERNAL starts a serial path compensation cycle.

## CALibrate:INTERNAL:START (No Query Form)

Starts the internal signal path calibration (SPC) of the oscilloscope. You can use the [CALibrate:INTERNAL:STATUS?](#) query to return the current status of the internal signal path calibration of the oscilloscope.

**Group** Calibration and Diagnostic

**Syntax** CALibrate:INTERNAL:START

**Related Commands** [CALibrate:RESults:SPC?](#)

**Examples** CALIBRATE:INTERNAL:START initiates the internal signal path calibration of the oscilloscope.

## CALibrate:INTERNAL:STATUS? (Query Only)

Returns the current status of the oscilloscope internal signal path calibration for the last SPC operation.

**Group** Calibration and Diagnostic

**Syntax** CALibrate:INTERNAL:STATUS?

**Related Commands** \*CAL?

**Returns** This query will return one of the following:

- INIT indicates the oscilloscope has not had internal signal path calibration run.
- PASS indicates the signal path calibration completed successfully.
- FAIL indicates the signal path calibration did not complete successfully.
- RUNNING indicates the signal path calibration is currently running.

**Examples** CALIBRATE:INTERNAL:STATUS? might return  
:CALIBRATE:INTERNAL:STATUS INIT indicating that the current status of the internal signal path calibration is that it has not been run.

## CALibrate:RESults? (Query Only)

Returns the status of internal and factory calibrations, without performing any calibration operations. The results returned do not include the calibration status of attached probes. The CALibrate:RESults? query is intended to support GO/NoGO testing of the oscilloscope calibration readiness: all returned results should indicate PASS status if the oscilloscope is "fit for duty". It is quite common, however, to use uncalibrated probes (particularly when the oscilloscope inputs are connected into a test system with coaxial cables).

**Group** Calibration and Diagnostic

**Syntax** CALibrate:RESults?

**Related Commands** \*CAL?

## CALibrate:RESults:FActory? (Query Only)

Returns the status of internal and factory calibration, without performing any calibration operations.

**Group** Calibration and Diagnostic

**Syntax** CALibrate:RESuLts:FACTory?

## CALibrate:RESuLts:SPC? (Query Only)

Returns the status of the SPC operation. This query does not initiate a SPC.

**Group** Calibration and Diagnostic

**Syntax** CALibrate:RESuLts:SPC?

**Related Commands** [\\*CAL?](#)

**Returns** INIT indicates that SPC has never successfully completed.  
PASS indicates that the last SPC operation passed.  
FAIL indicates that the last SPC operation failed.  
RUNNING indicates that the SPC operation is running.

**Examples** CALIBRATE:RESULTS:SPC? returns the results of the last SPC operation: either PASS or FAIL.

## CH<x>? (Query Only)

Returns the vertical parameters for channel <x>, where x is the channel number.

**Group** Vertical

**Syntax** CH<x>?

## CH<x>:AMPSVIAVOLTS:ENAb1e

Sets or returns the state of the amps via volts feature for the specified channel. This feature supports measuring current via the voltage drop across a resistor.

**Group** Vertical

**Syntax** CH<x>:AMPSVIAVOLTS:ENAb1e {<NR1>|OFF|ON}  
CH<x>:AMPSVIAVOLTS:ENAb1e?

**Arguments** OFF sets the amps via volts function for channel <x> to off.  
ON sets the amps via volts function for channel <x> to on.  
<NR1> = 0 sets the amps via volts function to off. Any other value sets the function to on.

**Examples** CH1:AMPSVIAVOLTS:ENABLE ON turns on the amps via volts feature for channel 1.

## CH<x>:AMPSVIAVOLTS:FACTOR

Sets or returns the amps via volts factor for the specified channel.

**Group** Vertical

**Syntax** CH<x>:AMPSVIAVOLTS:FACTOR <NR3>  
CH<x>:AMPSVIAVOLTS:FACTOR?

**Arguments** <NR3> is a double-precision ASCII string that represents the amps via volts factor.

**Examples** CH1:AMPSVIAVOLTS:FACTOR 15.5 sets the amps via volts factor for channel 1 to 15.5.

## CH<x>:BANDwidth

Sets or returns the selectable low-pass bandwidth limit filter for channel <x>, where x is the channel number.

**Group** Vertical



**Syntax** CH<x>:BANDwidth {TWEnty|TWOfifty|FUL1|<NR3>}  
CH<x>:BANDwidth?

**Arguments** TWEnty sets the upper bandwidth limit of channel <x> to 20 MHz.  
TWOfifty sets the upper bandwidth limit of channel <x> to 250 MHz.  
FUL1 disables any optional bandwidth limiting. The specified channel operates at its maximum attainable bandwidth.  
<NR3> is a double-precision ASCII string. The oscilloscope rounds this value to an available bandwidth using geometric rounding, and then uses this value to set the upper bandwidth limit.

---

**NOTE.** *Other values may be possible depending on the attached probes.*

---

**Examples** CH1:BANDWIDTH TWENTY sets the bandwidth of channel 1 to 20 MHz.

## CH<x>:COUPLing

Sets or returns the input attenuator coupling setting for channel <x>, where x is the channel number.

**Group** Vertical

**Syntax** CH<x>:COUPLing {AC|DC|GND}  
CH<x>:COUPLing?

**Arguments** AC sets channel <x> to AC coupling.  
DC sets channel <x> to DC coupling.  
GND sets channel<x> to ground. Only a flat, ground-level waveform will be displayed.

**Examples** CH2:COUPLING GND sets channel 2 to ground.  
CH3:COUPLing? might return :CH3:COUPLing DC indicating that channel 3 is set to DC coupling.

## CH<x>:DESKew

Sets or returns the deskew time for channel <x>, where x is the channel number. You can adjust the deskew time to add an independent, channel-based delay time to the delay (set by the horizontal position control and common to all channels) from the common trigger point to first sample taken for each channel. This lets you compensate individual channels for different delays introduced by their individual input hook ups.

**Group** Vertical

**Syntax** CH<x>:DESKew <NR3>  
CH<x>:DESKew?

**Arguments** <NR3> is the deskew time for channel <x>, ranging from -100 ns to +100 ns with a resolution of 1 ps.

**Examples** CH4:DESKew 5.0E-9 sets the deskew time for channel 4 to 5 ns.  
CH2:DESKew? might return :CH2:DESKEW 2.0000E-09 indicating that the deskew time for channel 2 is set to 2 ns.

## CH<x>:INVert

Sets or returns the invert function for channel <x>, where is the channel number. When on, the invert function inverts the waveform for the specified channel.

---

**NOTE.** *This command inverts the waveform for display purposes only. The oscilloscope does not use an inverted waveform for triggers or trigger logic inputs.*

---

**Group** Vertical

**Syntax** CH<x>:INVert {ON|OFF}  
CH<x>:INVert?

**Arguments** OFF sets the invert function for channel <x> to off.  
ON sets the invert function for channel <x> to on.

**Examples** CH4:INVERT ON inverts the waveform on channel 4.  
 CH2:INVERT? might return :CH2:INVERT 0 indicating that channel 2 is not inverted.

## CH<x>:LABel

Sets or returns the waveform label for channel <x>, where x is the channel number.

**Group** Vertical

**Syntax** CH<x>:LABel <Qstring>  
 CH<x>:LABel?

**Arguments** <Qstring> is an alphanumeric string of text, enclosed in quotes, that contains the text label information for the channel <x> waveform. The text string is limited to 30 characters.

## CH<x>:OFFSet

Sets or returns the vertical offset for channel <x>, where x is the channel number.

This command offsets the vertical acquisition window (moves the level at the vertical center of the acquisition window) for the specified channel. Visualize offset as scrolling the acquisition window towards the top of a large signal for increased offset values, and scrolling towards the bottom for decreased offset values. The resolution of the vertical window sets the offset increment for this control.

Offset adjusts only the vertical center of the acquisition window for channel waveforms to help determine what data is acquired. The oscilloscope always displays the input signal minus the offset value.

The channel offset range depends on the vertical scale factor.

**Table 2-36: Channel Offset Range**

V/Div Setting	Offset range	
	1 M $\Omega$ Input	50 $\Omega$ Input
1 mV/div — 50 mV/div	$\pm 1$ V	$\pm 1$ V
50.5 mV/div — 99.5 mV/div	$\pm 0.5$ V	$\pm 0.5$ V
100 mV/div — 500 mV/div	$\pm 10$ V	$\pm 5$ V
505 mV/div — 995 mV/div	$\pm 5$ V	$\pm 5$ V

**Table 2-36: Channel Offset Range (cont.)**

V/Div Setting	Offset range	
	1 M $\Omega$ Input	50 $\Omega$ Input
1 V/div — 5 V/div 1	$\pm 100$ V	$\pm 5$ V
5.05 V/div — 10 V/div 1	$\pm 50$ V	N/A

<sup>1</sup> For 50  $\Omega$  input, 1 V/div is the maximum setting.

**NOTE.** The above table describes oscilloscope behavior only when no probe is attached, and when the external attenuation factor is 1.0.

<b>Group</b>	Vertical
<b>Syntax</b>	CH<x>:OFFSet <NR3> CH<x>:OFFSet?
<b>Related Commands</b>	<a href="#">CH&lt;x&gt;:POSition</a>
<b>Arguments</b>	<NR3> is the offset value for the specified channel <x>.
<b>Examples</b>	CH3:OFFSet 2.0E-3 sets the offset for channel 3 to 2 mV. CH4:OFFSet? might return :CH4:OFFSET 1.0000E-03 indicating that the offset for channel 4 is set to 1 mV.

## CH<x>:POSition

Sets or returns the vertical position of channel <x>, where x is the channel number. The position value is applied to the signal before it is digitized.

Increasing the position value of a waveform causes the waveform to move up. Decreasing the position value causes the waveform to move down. The position value determines the vertical graticule coordinate at which input signal values, minus the present offset setting for that channel, are displayed. For example, if the position for Channel 3 is set to 2.0 and the offset is set to 3.0, then input signals equal to 3.0 units are displayed 2.0 divisions above the center of the screen (at 1 V/div).

**Group** Vertical

**Syntax** CH<x>:POSition <NR3>  
CH<x>:POSition?

**Related Commands** [CH<x>:OFFSet](#), [REF<x>:VERTical:POSition](#), [MATH\[1\]:VERTical:POSition](#)

**Arguments** <NR3> is the position value for channel <x>, in divisions, from the center graticule. The range is 8 to -8 divisions.

**Examples** CH2:POSition 1.3 positions the Channel 2 input signal 1.3 divisions above the center graticule.

CH1:POSition? might return :CH1:POSITION -1.3000 indicating that the current position of Channel 1 is 1.3 divisions below the center graticule.

## CH<x>:PRObe? (Query Only)

Returns all information concerning the probe attached to channel <x>, where x is the channel number.

**Group** Vertical

**Syntax** CH<x>:PRObe?

## CH<x>:PRObe:AUTOZero (No Query Form)

Sets the TekVPI probe attached to channel <x> to zero, where x is the channel number

**Group** Vertical

**Syntax** CH<x>:PRObe:AUTOZero EXECute

**Arguments** Execute auto zeros the probe.

## CH<x>:PRObe:COMMAND (No Query Form)

Sets the state of the probe control specified with the first argument to the state specified with the second argument. The commands and states are unique to the

attached probe type. Only certain VPI probes support this command. See the probe documentation for how to set these string arguments.

**Group** Vertical

**Syntax** CH<x>:PRObe:COMMAND <QString>, <QString>

**Arguments** <QString> are quoted strings specifying the probe command and value to set in the probe attached to the specified channel.

**Examples** CH1:PROBE:COMMAND "MODE", "4-4V1MHZ" sets a Tektronix VPI-DPG probe to the 4-4V1MHz mode.

CH1:PROBE:COMMAND "OUTPUT", "ON" turns the output of a Tektronix VPI-DPG probe on.

CH1:PROBE:COMMAND?"MODE" might return CH1:PROBE:COMMAND "MODE", "4-4V1MHZ".

## CH<x>:PRObe:DEGAUss (No Query Form)

Starts a degauss auto-zero cycle on a TekVPI current probe attached to the input channel specified by <x>, where x is the channel number.

**Group** Vertical

**Syntax** CH<x>:PRObe:DEGAUss EXECute

**Arguments** EXECute initiates the degauss operation.

## CH<x>:PRObe:DEGAUss:STATE? (Query Only)

Returns the state of the probe degauss for the channel specified by <x>, where x is the channel number.

---

**NOTE.** This command will return *PASSED* for probes that do not support degauss operations.

---

**Group** Vertical

**Syntax** CH<x>:PRObe:DEGAUSS:STATE?

**Returns** NEEDED indicates the probe should be degaussed before taking measurements.  
 RECOMMENDED indicates the measurement accuracy might be improved by degaussing the probe.  
 PASSED indicates the probe is degaussed.  
 FAILED indicates the degauss operation failed.  
 RUNNING indicates the probe degauss operation is currently in progress.

## CH<x>:PRObe:FORCEDRange

Sets or returns the range of a TekVPI probe attached to the channel specified by <x>, where x is the channel number.

---

**NOTE.** This command will return *PASSED* for probes that do not support degauss operations.

---

**Group** Vertical

**Syntax** CH<x>:PRObe:FORCEDRange <NR3>  
 CH<x>:PRObe:FORCEDRange?

**Arguments** <NR3> specifies the range, which is probe specific.

**Returns** This command returns 0.0 for probes that do not support forced range.

## CH<x>:PRObe:GAIN

Sets or returns the gain factor for the probe attached to the channel specified by <x>, where x is the channel number. The "gain" of a probe is the output divided by the input transfer ratio. For example, a common 10x probe has a gain of 1V.

**Group** Vertical

**Syntax** CH<x>:PRObe:GAIN <NR3>  
 CH<x>:PRObe:GAIN?

**Related Commands**    [CH<x>:SCAlE](#)

**Arguments**    <NR3> is the probe gain. Allowed values depend on the specific probe.

**Examples**    CH2:PROBE:GAIN? might return :CH2:PROBE:GAIN 0.1000E+00 indicating that the attached 10x probe delivers 1 V to the channel 2 BNC for every 10 V applied to the probe input.

## CH<x>:PRObe:ID? (Query Only)

Returns the type and serial number of the probe attached to channel <x>, where x is the channel number.

**Group**    Vertical

**Syntax**    CH<x>:PRObe:ID?

**Examples**    CH2:PROBE:ID? might return :CH2:PROBE:ID:TYPE "10X";SERNUMBER "N/A" indicating that a passive 10x probe of unknown serial number is attached to channel 2.

## CH<x>:PRObe:ID:SERnumber? (Query Only)

Returns the serial number of the probe attached to channel <x>, where x is the channel number.

---

**NOTE.** For Level 0 and 1 probes, the serial number will be "".

---

**Group**    Vertical

**Syntax**    CH<x>:PRObe:ID:SERnumber?

**Examples**    CH1:PROBE:ID:SERNUMBER? might return :CH1:PROBE:ID:SERNUMBER "B010289" indicating that the serial number of the probe attached to channel 1 is B010289.



## CH<x>:PRObe:ID:TYPE? (Query Only)

Returns the type of probe attached to the channel specified by <x>, where x is the channel number. Level 2 (or higher) probes supply their exact product nomenclature; for Level 0 or 1 probes, a generic “*No Probe Detected*” message is returned.

**Group** Vertical

**Syntax** CH<x>:PRObe:ID:TYPE?

**Examples** CH1:PROBE:ID:TYPE? might return :CH1:PROBE:ID:TYPE "P6203" indicating that P6203-type probe is attached to channel 1.

## CH<x>:PRObe:MODEl

Sets or returns the probe model for the specified channel. If a coded probe is attached or the specified model is not recognized, an error event is set. The argument must be a supported probe.

To find the list of supported probes, push the front-panel channel **1, 2, 3, or 4** button, then push the lower-menu **More** item as many times as needed to select **Deskew**. Push **Probe Model** on the side menu and turn knob **a** to help you read from the resulting list. Alternatively, you can push **Test > Analysis > Deskew > Configure > Probe Model** and read from the resulting list.

**Group** Vertical

**Syntax** CH<x>:PRObe:MODEl<String>  
CH<x>:PRObe:MODEl?

## CH<x>:PRObe:PROPDELay

Sets or returns the propagation delay for the probe connected to the specified channel.

**Group** Vertical

**Syntax** CH<x>:PRObe:PROPDELay<NR3>  
CH<x>:PRObe:PROPDELay?

**Arguments** <NR3> specifies the propagation time delay for the connected probe.

**Examples** CH1:PROBE:PROPDELAY 100E-12 sets the CH1 propagation delay to 100 ps.  
CH1:PROBE:PROPDELAY? might return :CH1:PROBE:PROPDELAY 1.1E-9 indicating that the CH1 propagation delay is set to 1.1 ns.

## CH<x>:PRObe:RECDESkew? (Query Only)

Returns the recommended deskew for the probe connected to the specified channel.

**Group** Vertical

**Syntax** CH<x>:PRObe:RECDESkew?

## CH<x>:PRObe:RESistance? (Query Only)

Returns the resistance factor of the probe attached to channel <x>, where x is the channel number.

**Group** Vertical

**Syntax** CH<x>:PRObe:RESistance?

**Examples** CH2:PRObe:RESistance? might return :CH2:PROBE:RESISTANCE 10.0000E+6 indicating that the input resistance of the probe attached to Channel 2 is 1 MΩ.

---

**NOTE.** This query will return 0.0 if no probe is attached or the attached probe does not report the input resistance.

---

## CH<x>:PRObe:SIGnal

Sets or returns the input bypass setting of a TekVPI probe attached to channel <x>, where x is the channel number. The probe must support input bypass, for example TCP0001. This command is ignored if sent to an unsupported probe.

**Group** Vertical

**Syntax** CH<x>:PRObe:SIGna1 {BYPass|PASS}  
CH<x>:PRObe:SIGna1?

**Arguments** BYPass sets the probe to Bypass mode.  
PASS sets the probe to Pass mode.

## CH<x>:PRObe:UNIts? (Query Only)

Returns a string describing the units of measure for the probe attached to channel <x>, where x is the channel number.

**Group** Vertical

**Syntax** CH<x>:PRObe:UNIts?

**Examples** CH4:PROBE:UNITS? might return :CH4:PROBE:UNITS "V" indicating that the units of measure for the probe attached to channel 4 are volts.

## CH<x>:SCAlE

Sets or returns the vertical scale for the channel specified by <x>, where x is the channel number.

Each waveform has a vertical scale parameter. For a signal with constant amplitude, increasing the Scale causes the waveform to be displayed smaller. Decreasing the scale causes the waveform to be displayed larger.

Scale affects all waveforms, but affects channel waveforms differently from other waveforms:

- For channel waveforms, this setting controls the vertical size of the acquisition window as well as the display scale. The range and resolution of scale values depends on the probe attached and any other external factors you have specified.
- For reference and math waveforms, this setting controls the display only, graphically scaling these waveforms and having no affect on the acquisition hardware.

**Group** Vertical

**Syntax** CH<x>:SCALE <NR3>  
CH<x>:SCALE?

**Related Commands** CH<x>:OFFSet, CH<x>:POSition, REF<x>:VERTical:SCALE,  
MATH[1]:VERTical:SCALE

**Arguments** <NR3> is the vertical channel scale in units-per-division. The value entered here is truncated to three significant digits.

**Examples** CH4:SCALE 100E-03 sets the channel 4 scale to 100 mV per division.  
CH2:SCALE? might return :CH2:SCALE 1.0000 indicating that the current scale setting of channel 2 is 1 V per division.

## CH<x>:TERmination

Sets the connected-disconnected status of a 50  $\Omega$  resistor, which may be connected between the specified channel's coupled input and oscilloscope ground. The channel is specified by <x>. There is also a corresponding query that requests the termination parameter and translates this enumeration into one of the two float values.

**Group** Vertical

**Syntax** CH<x>:TERmination {FIFTy|MEG|<NR3>}  
CH<x>:TERmination?

**Arguments** FIFTy sets the channel <x> input resistance to 50  $\Omega$ .  
MEG sets the channel <x> input resistance to 1 M $\Omega$ .  
<NR3> specifies the channel <x> input resistance numerically.

**Examples** CH4:TERMINATION 50.0E+0 establishes 50  $\Omega$  impedance on channel 1.  
CH2:TERMINATION? might return :CH2:TERMINATION 50.0E+0 indicating that channel 2 is set to 50  $\Omega$  impedance.

## CH<x>:YUNits

Sets or returns the units for the channel specified by <x>, where x is the channel number. String arguments are case insensitive and any unsupported units will generate an error.

Supported units are:

%, /Hz, A, A/A, A/V, A/W, A/dB, A/s, AA, AW, AdB, As, B, Hz, IRE, S/s, V, V/A, V/V, V/W, V/dB, V/s, VV, VW, VdB, Volts, Vs, W, W/A, W/V, W/W, W/dB, W/s, WA, WV, WW, WdB, Ws, dB, dB/A, dB/V, dB/W, dB/dB, dBA, dBV, dBW, dBdB, day, degrees, div, hr, min, ohms, percent, s

**Group** Vertical

**Syntax** CH<x>:YUNits <QString>  
CH<x>:YUNits?

**Arguments** QString is a string of text surrounded by quotes, specifying the supported units.

## CLEARMenu (No Query Form)

Clears the current menu from the display. This command is equivalent to pressing the front panel Menu off.

**Group** Miscellaneous

**Syntax** CLEARMenu

## \*CLS (No Query Form)

Clears the following:

- Event Queue
- Standard Event Status Register
- Status Byte Register (except the MAV bit)

If the \*CLS command immediately follows an <EOI>, the Output Queue and MAV bit (Status Byte Register bit 4) are also cleared. The MAV bit indicates that information is in the output queue. The device clear (DCL) GPIB control message will clear the output queue and thus MAV. \*CLS does not clear the output queue or MAV.

\*CLS can suppress a Service Request that is to be generated by an \*OPC. This will happen if a single sequence acquisition operation is still being processed when the \*CLS command is executed.

**Group** Status and Error

**Syntax** \*CLS

**Related Commands** [DESE](#), [\\*ESE](#), [\\*ESR?](#), [EVENT?](#), [EVMsg?](#), [\\*SRE](#), [\\*STB?](#)

**Examples** \*CLS clears the oscilloscope status data structures.

## CURSor?

Returns all of the current cursor settings.

**Group** Cursor

**Syntax** CURSor?

**Examples** CURSOR? might return the following as the current cursor settings:  
 :CURSOR:FUNCTION SCREEN;HBARS:POSITION1 0.0000;POSITION2  
 0.0000;UNITS BASE;:CURSOR:MODE INDEPENDENT;VBARS:POSITION1  
 -19.0006E-6;POSITION2 -18.9994E-6;UNITS SECONDS

## CURSor:DDT? (Query Only)

Returns the cursor deltaY/deltaT (dY/dT) readout.

**Conditions** This command requires a DPO4PWR application module.

**Group** Cursor

**Syntax** CURSor:DDT?

**Examples** CURSOR:DDT? might return :CURSOR:DDT -166.6670 indicating that the cursor dV/dt read out is -166.6670

## CURSor:FUNCtion

Sets or returns the cursor type. Cursors are attached to the selected waveform in Waveform mode and are attached to the display area in Screen mode.

<b>Group</b>	Cursor
<b>Syntax</b>	<code>CURSor:FUNCtion {OFF SCREEN WAVEform}</code> <code>CURSor:FUNCtion?</code>
<b>Arguments</b>	<p><code>OFF</code> removes the cursors from the display but does not change the cursor type.</p> <p><code>SCREEN</code> specifies both horizontal and vertical bar cursors, which measure the selected waveform in horizontal and vertical units. Use these cursors to measure anywhere in the waveform display area.</p> <p><code>WAVEform</code> specifies paired cursors in YT display format for measuring waveform amplitude and time. In XY and XYZ format, these cursors indicate the amplitude positions of an XY pair (Ch1 vs Ch2 voltage, where Ch1 is the X axis and Ch2 is the Y axis) relative to the trigger.</p>
<b>Examples</b>	<p><code>CURSOR:FUNCTION WAVEFORM</code> selects the paired cursors for measuring waveform amplitude and time.</p> <p><code>CURSOR:FUNCTION?</code> might return <code>:CURSOR:FUNCtion SCREEN</code> indicating that the screen cursors are currently selected.</p>

## CURSor:HBARS? (Query Only)

Returns the current settings for the horizontal bar cursors.

<b>Group</b>	Cursor
<b>Syntax</b>	<code>CURSor:HBARS?</code>
<b>Examples</b>	<code>CURSOR:HBARS?</code> might return the horizontal bar setting as <code>:CURSOR:HBARS:POSITION1 320.0000E-03;POSITION2-320.0000E-03;UNITS BASE</code>

## CURSor:HBARS:DELTA? (Query Only)

Returns the vertical difference between the two horizontal bar cursors.

<b>Group</b>	Cursor
<b>Syntax</b>	CURSOR:HBARS:DELTA?
<b>Related Commands</b>	<a href="#">CURSOR:HBARS:UNITS</a>
<b>Returns</b>	A floating point value with an exponent.
<b>Examples</b>	CURSOR:HBARS:DELTA? might return :CURSOR:HBARS:DELTA 5.0800E+00 indicating that the difference between the two cursors is 5.08.

## CURSOR:HBARS:POSITION<x>

Sets or returns the horizontal bar cursor position relative to ground, which is expressed in vertical units (usually volts). The cursor is specified by x, which can be 1 or 2.

<b>Group</b>	Cursor
<b>Syntax</b>	CURSOR:HBARS:POSITION<x> <NR3> CURSOR:HBARS:POSITION<x>?
<b>Related Commands</b>	<a href="#">CURSOR:FUNCTION</a>
<b>Arguments</b>	<NR3> specifies the cursor position relative to ground.
<b>Examples</b>	CURSOR:HBARS:POSITION1 25.0E-3 positions Cursor 1 of the horizontal cursors at 25 mV.  CURSOR:HBARS:POSITION2? might return :CURSOR:HBARS:POSITION2 -64.0000E-03 indicating that Cursor 2 of the horizontal bar cursors is at -64 mV.

## CURSOR:HBARS:UNITS

Sets or returns the units for the horizontal bar cursors.

<b>Group</b>	Cursor
--------------	--------



**Syntax** CURSor:HBARs:UNItS {BASE|PERcent}  
CURSor:HBARs:UNItS?

**Arguments** BASE selects the vertical units for the selected waveform.  
PERcent selects ratio cursors.

**Examples** CURSOR:HBARS:UNITS might return :CURSOR:HBARS:UNITS BASE indicating that the units for the horizontal bar cursors are base.

## CURSor:HBARs:USE (No Query Form)

Sets the horizontal bar cursor measurement scale. This command is only applicable when ratio cursors are on.

**Group** Cursor

**Syntax** CURSor:HBARs:USE {CURrent|HALFgrat}

**Related Commands** [CURSor:HBARs:UNItS](#)

**Arguments** CURrent sets the H Bar measurement scale so that 0% is the current position of the lowest H Bar cursor and 100% is the current position of the highest H Bar cursor.  
HALFgrat sets H Bar measurement scale so that half the screen major divisions (five on the MSO/DPO4000) is 100%, where 0% is -2.5 divisions and 100% is +2.5 divisions from the center horizontal graticule.

**Examples** CURSOR:HBARS:USE HALFGRAT sets the H Bar measurement scale so that five screen major divisions equals 100%.

## CURSor:MODE

Sets or returns whether the two cursors move linked together in unison or separately. This applies to the Waveform cursors display mode.

**Conditions** This command is only applicable when waveform cursors are displayed.

**Group** Cursor

**Syntax** CURSor:MODE {TRACk|INDePendent}  
CURSor:MODE?

**Arguments** TRACK ties the navigational functionality of the two cursors together. For cursor 1 adjustments, this ties the movement of the two cursors together; however, cursor 2 continues to move independently of cursor 1.

INDePendent allows independent adjustment of the two cursors.

**Examples** CURSOR:MODE TRACK specifies that the cursor positions move in unison.

CURSOR:MODE? might return :CURSOR:MODE TRACK indicating that the two cursors move in unison.

## CURSor:VBArS? (Query Only)

Returns the current settings for the vertical bar cursors.

**Group** Cursor

**Syntax** CURSor:VBArS?

**Examples** CURSOR:VBARS? might return the following vertical bar settings  
:CURSOR:VBARS:UNITS SECONDS;POSITION1 1.0000E-06;POSITION2  
9.0000E-06

## CURSor:VBArS:ALTERNATE<x>? (Query Only)

Returns the alternate readout for the waveform (Vbar) cursors specified by <x>. This alternate readout is in effect when the selected waveform is a bus or digital channel.

**Group** Cursor

**Syntax** CURSor:VBArS:ALTERNATE<x>?

**Arguments** X = 1 specifies vertical bar cursor1.

X = 2 specifies vertical bar cursor2.

## CURSor:VBARs:DELTA? (Query Only)

Returns the horizontal difference between the two vertical bar cursors. The units are specified by the CURSor:VBARs:UNIts command.

This is equivalent to watching the cursor readout in the display while using the appropriate cursor mode.

**Group** Cursor

**Syntax** CURSor:VBARs:DELTA?

**Related Commands** [CURSor:VBARs:UNIts](#)

**Returns** <NR3>

**Examples** CURSOR:VBARS:DELTA? might return :CURSOR:VBARS:DELTA 1.0640E+00 indicating that the time between the vertical bar cursors is 1.064 s.

## CURSor:VBARs:HPOS<x>? (Query Only)

Returns the vertical value of the specified vertical bar ticks for cursor <x>.

**Group** Cursor

**Syntax** CURSor:VBARs:HPOS<x>?

**Related Commands** [CURSor:VBARs:UNIts](#)

**Arguments** <x> specifies the cursor. Valid values are 1 and 2.

**Returns** <NR3> indicates the value of one of the ticks. The units are the same as the selected waveform.

**Examples** CURSOR:VBARS:HPOS2? might return CURSOR:VBARS:HPOS2 100E-3, indicating the waveform value where the cursor intersects it is 0.100.

## CURSor:VBArS:POSITION<x>

Sets or returns the horizontal position for the specified vertical bar cursor. The cursor is specified by <x>, which can be 1 or 2. Values are with respect to trigger position or the zero reference point for the designated waveform (if horizontal units are not set to time). Use the CURSor:VBArS:UNIts command to specify units.

**Group** Cursor

**Syntax** CURSor:VBArS:POSITION<x> <NR3>  
CURSor:VBArS:POSITION<x>?

**Related Commands** [CURSor:VBArS:UNIts](#)

**Arguments** <NR3> specifies the cursor position.

**Returns** A floating point value with an exponent.

**Examples** CURSor:VBArS:POSITION2 9.00E-6 positions the cursor2 vertical bar cursor at 9 ms.

CURSor:VBArS:POSITION1? this command might return  
:CURSor:VBArS:POSITION1 1.0000E-06 indicating that the  
cursor1 vertical bar is positioned at 1  $\mu$ s.

## CURSor:VBArS:UNIts

Sets or returns the units for the vertical bar cursors.

**Group** Cursor

**Syntax** CURSor:VBArS:UNIts {SECOnds|HERtz|DEGRees|PERcent}  
CURSor:VBArS:UNIts?

**Arguments** SECOnds sets the units of the vertical bar cursors for the time domain (seconds).  
HERtz sets the units of the vertical bar cursors for the frequency domain (Hertz).  
DEGRees sets the units to degrees for measuring phase.  
PERcent sets the units to percent for use with ratio cursors.

**Returns** SECONDS, HERTZ, DEGREES, or PERCENT, depending on the current vertical bar cursor units.

**Examples** `CURSOR:VBARS:UNITS HERTZ` sets the units of the VBARS cursors to 1/seconds.  
`CURSOR:VBARS:UNITS?` might return `:CURSOR:VBARS:UNITS SECONDS` indicating that the units for the vertical bar cursor are currently set to seconds.

## CURSOR:VBARS:USE (No Query Form)

Sets the vertical bar cursor measurement scale.

**Conditions** This command is only applicable when ratio cursors are on.

**Group** Cursor

**Syntax** `CURSOR:VBARS:USE {CURRENT|HALFGRAT|FIVEDIVS}`

**Related Commands** [CURSOR:VBARS:UNITS](#)

**Arguments** `CURRENT` sets the V Bar measurement scale so that 0% is the current position of the left-most V Bar cursor and 100% is the current position of the right-most V Bar cursor.

`HALFGRAT` resets the ratio range to the default positions on the screen, half of the number of horizontal divisions (five on the MSO/DPO4000), from 25% to 75% of the screen.

`FIVEDIVS` sets V Bar measurement scale so that 5 screen major divisions is 100%, where 0% is -2.5 divisions and 100% is +2.5 divisions from the center vertical graticule.

**Examples** `CURSOR:VBARS:USE CURRENT` sets the V Bar measurement scale to use the current cursor positions as 0% and 100% of scale if units are set to %.

## CURSOR:VBARS:VDELTA? (Query Only)

Returns the vertical difference between the two vertical bar cursor ticks.

**Group** Cursor

**Syntax** CURSOR:VBARS:VDELTA?

**Related Commands** [CURSOR:HBARs:UNIts](#)

**Returns** <NR3> indicates the vertical difference between the two vertical bar cursors' ticks.

**Examples** CURSOR:VBARS:VDELTA? might return CURSOR:VBARS:VDELTA 1.064E+0, indicating that the vertical difference between the vertical bar cursors ticks is 1.064 units.

## CURSOR:XY:POLAR:RADIUS:DELTA? (Query Only)

Returns the difference between the cursors X radius and the cursor Y radius ( $\Delta Y$ ,  $\Delta X$ ). The ratio is calculated as  $(\text{cursor 2 Y} - \text{cursor 1 Y}) \div (\text{cursor 2 X} - \text{cursor 1 X})$ .

**Group** Cursor

**Syntax** CURSOR:XY:POLAR:RADIUS:DELTA?

## CURSOR:XY:POLAR:RADIUS:POSITION<x>? (Query Only)

Returns the polar radius for the specified cursor, where x can be either 1 or 2.

**Group** Cursor

**Syntax** CURSOR:XY:POLAR:RADIUS:POSITION<x>?

## CURSOR:XY:POLAR:RADIUS:UNIts? (Query Only)

Returns the polar radius units.

**Group** Cursor

**Syntax** CURSOR:XY:POLAR:RADIUS:UNIts?

### **CURSor:XY:POLar:THETA:DELta? (Query Only)**

Returns the XY cursor polar angle delta.

**Group** Cursor

**Syntax** CURSor:XY:POLar:THETA:DELta?

### **CURSor:XY:POLar:THETA:POSITION<x>? (Query Only)**

Returns the cursor X or cursor Y polar coordinate, where x is either 1 or 2.

**Group** Cursor

**Syntax** CURSor:XY:POLar:THETA:POSITION<x>?

### **CURSor:XY:POLar:THETA:UNIts? (Query Only)**

Returns the cursor coordinate units.

**Group** Cursor

**Syntax** CURSor:XY:POLar:THETA:UNIts?

### **CURSor:XY:PRODUCT:DELta? (Query Only)**

Returns the difference between the cursors X position and cursor Y position. The  $\Delta X \times \Delta Y$  value is calculated as  $(X2 - X1) \times (Y2 - Y1)$ .

**Group** Cursor

**Syntax** CURSor:XY:PRODUCT:DELta?

### **CURSor:XY:PRODUCT:POSITION<x>? (Query Only)**

Returns the position of the X or Y cursor used to calculate the  $X \times Y$  cursor measurement, Position 1 =  $(X1 \times Y1)$ ; Position 2 =  $(X2 \times Y2)$ . The cursor is specified by x, which can be 1 or 2.

**Group** Cursor

**Syntax** CURSOr:XY:PRODUCT:POSITION<x>?

### **CURSor:XY:PRODUCT:UNIts? (Query Only)**

Returns the XY cursor product units.

**Group** Cursor

**Syntax** CURSOr:XY:PRODUCT:UNIts?

### **CURSor:XY:RATIO:DELta? (Query Only)**

Returns the ratio of the difference between the cursors X position and cursor Y position ( $\Delta Y$ ,  $\Delta X$ ). The ratio is calculated as  $(Y2 - Y1) / (X2 - X1)$ .

**Group** Cursor

**Syntax** CURSOr:XY:RATIO:DELta?

### **CURSor:XY:RATIO:POSITION<x>? (Query Only)**

Returns the X (horizontal) or Y (vertical) position for the specified cursor, which can be 1 (X) or 2 (Y). The ratio is calculated as Position 1 =  $(Y1/X1)$ ; Position 2 =  $(Y2/X2)$ .

**Group** Cursor

**Syntax** CURSOr:XY:RATIO:POSITION<x>?



## CURSor:XY:RATIO:UNIts? (Query Only)

Returns the cursor X and cursor Y units for the ratio measurement.

**Group** Cursor

**Syntax** CURSor:XY:RATIO:UNIts?

## CURSor:XY:READOUT

Sets or returns the XY cursor readout selection. This command is useful for oscilloscope models with limited display room. Oscilloscopes with sufficient display, such as the MSO4000 and DPO4000 series, show all the readouts simultaneously.

**Group** Cursor

**Syntax** CURSor:XY:READOUT {RECTangular|POLARcord|PRODuCt|RATio}  
CURSor:XY:READOUT?

**Arguments** RECTangular specifies the XY readout as rectangular coordinates.  
POLARcord specifies the XY readout as polar coordinates.  
PRODuCt specifies the XY readout in X\*Y format.  
RATio specifies the XY readout in X:Y format.

## CURSor:XY:RECTangular:X:DELta? (Query Only)

Returns the cursor X delta value in rectangular coordinates.

**Group** Cursor

**Syntax** CURSor:XY:RECTangular:X:DELta?

## CURSor:XY:RECTangular:X:POSITION<x>

Sets or returns the X rectangular coordinate for cursor 1 or cursor 2. The cursor is specified by x and can be either 1 or 2.

**Group** Cursor

**Syntax** CURSor:XY:RECTangular:X:POSITION<x> <NR3>  
CURSor:XY:RECTangular:X:POSITION<x>?

**Arguments** <NR3> is the coordinate in volts.

### **CURSor:XY:RECTangular:X:UNIts? (Query Only)**

Returns the cursor X rectangular units.

**Group** Cursor

**Syntax** CURSor:XY:RECTangular:X:UNIts?

### **CURSor:XY:RECTangular:Y:DELta? (Query Only)**

Returns The cursor Y delta value in rectangular coordinates.

**Group** Cursor

**Syntax** CURSor:XY:RECTangular:Y:DELta?

### **CURSor:XY:RECTangular:Y:POSITION<x>**

Sets or returns the Y rectangular coordinate for cursor 1 or cursor 2. The cursor is specified by x and can be either 1 or 2.

**Group** Cursor

**Syntax** CURSor:XY:RECTangular:Y:POSITION<x> <NR3>  
CURSor:XY:RECTangular:Y:POSITION<x>?

**Arguments** <NR3> is the coordinate in volts.

## CURSor:XY:RECTangular:Y:UNIts? (Query Only)

Returns the cursor Y rectangular units.

<b>Group</b>	Cursor
<b>Syntax</b>	CURSor:XY:RECTangular:Y:UNIts?

## CURVe

Transfers waveform data to and from the oscilloscope in binary or ASCII format. Each waveform transferred includes a waveform preamble which contains the data format, scale, and associated information.

For analog waveforms, the CURVe? query transfers data from the oscilloscope. The data source is specified by the [DATA:SOURce](#) command. The first and last data points are specified by the [DATA:STARt](#) and [DATA:STOP](#) commands.

The oscilloscope returns data from the last acquisition if the source is a channel waveform that is being previewed. The data does not reflect the acquisition preview parameters. The user should always follow acquisition parameter changes with a single sequence OPC command prior to CURVe? to ensure the return data reflects the new acquisition parameters.

The CURVe command transfers waveform data to the oscilloscope. The data is stored in the reference memory location specified by [DATA:DESTination](#), starting with the data point specified by [DATA:STARt](#). Only one waveform can be transferred at a time. The waveform will only be displayed if the reference is displayed.

---

**NOTE.** *Transferring large volumes of data to or from the oscilloscope takes time. ASCII waveform transfer is very inefficient.*

---

<b>Group</b>	Waveform Transfer
<b>Syntax</b>	CURVe {<Block> <asc curve> DIGtal} CURVe?

**Related Commands** [DATA:DESTination](#), [DATA:SOURce](#), [DATA:STARt](#), [DATA:STOP](#), [WFMinpre?](#), [WFMinpre:BYT\\_Nr](#), [WFMOupre?](#), [HEADer](#)

**Arguments** <Block> is the waveform data in binary format. The waveform is formatted as: #<x><yyy><data><newline>, where:

<x> is the number of y bytes. For example, if <yyy>=500, then <x>=3)

<yyy> is the number of bytes to transfer. If width is 1, then all bytes on the bus are single data points. If width is 2, then all bytes on the bus are 2-bytes wide. Use the [WFMinpre:BYT\\_Nr](#) command to set the width for waveforms transferred into the oscilloscope. Use [WFMOutpre:BYT\\_Nr](#) to set the width for waveforms transferred out from the oscilloscope.

<data> is the curve data.

<newline> is a single byte new line character at the end of the data.

<asc curve> is the waveform data in ASCII format. The format for ASCII data is <NR1>[,<NR1>...], where each <NR1> represents a data point.

**DIGita1** Sends the data to the specified reference waveform slot, as specified by the DATA:DESTINATION command. If the data encoding is a binary format, then depending upon the setting of HEADER, the binary block header is prepended to the output data. (MSO models only)

**Examples** CURVE? with ASCII encoding, start and stop of 1 and 10 respectively, and a width set to 1 might return :CURVE 61,62,61,60,60,-59,-59,-58,-58,-59

---

**NOTE.** Curve data is transferred from the oscilloscope asynchronously, depending on the length of the curve record. Such transfers may require several seconds to complete. During this period, the oscilloscope will not respond to the user controls. You can interrupt these asynchronous data transfers by sending a device clear message to the oscilloscope or by interrupting the query with another command or query. In order to verify that curve data has been completely transferred, it is recommended that you follow such queries with an *\*ESR?* query to verify there are no error bits set. You can also check the event queue to determine the cause of the error. If the error was caused by an interrupted query, then the asynchronous data transfer was not complete when the *\*ESR?* query was sent. In such cases, it may be necessary to increase the program's time-out value to ensure that all data is transferred and read.

---

## DATA

Sets or returns the format and location of waveform data transferred with the [CURVe?](#) query or [CURVe](#) command.

**Group** Waveform Transfer

**Syntax** DATA {INIT|SNAp}  
DATA?

<b>Related Commands</b>	<a href="#">CURVe</a> , <a href="#">DATA:START</a> , <a href="#">DATA:STOP</a> , <a href="#">DATA:ENCdg</a> , <a href="#">WFMInpre:NR_Pt</a> , <a href="#">WFMOupre:NR_Pt?</a>
<b>Arguments</b>	<p>INIT initializes the waveform data parameters to their factory defaults except for <a href="#">DATA:STOP</a>, which is set to the current acquisition record length.</p> <p>SNAP sets <a href="#">DATA:START</a> and <a href="#">DATA:STOP</a> to match the current waveform cursor positions.</p>
<b>Examples</b>	<p>DATA? might return :DATA:DESTINATION REF1:ENCDG RIBINARY;SOURCE CH1;START 1;STOP 500;WIDTH 1</p> <p>DATA INIT initializes the waveform data parameters to their factory defaults.</p>

## DATA:DESTination

Sets or returns the reference memory location for storing waveform data transferred into the oscilloscope by the [CURVe](#) command.

<b>Group</b>	Waveform Transfer
<b>Syntax</b>	<pre>DATA:DESTination REF&lt;x&gt; DATA:DESTination?</pre>
<b>Related Commands</b>	<a href="#">CURVe</a>
<b>Arguments</b>	REF<x> is the reference location where the waveform will be stored.
<b>Examples</b>	DATA:DESTINATION? might return :DATA:DESTINATION REF3 indicating that reference 3 is the currently selected reference memory location for incoming waveform data. DATA:DESTINATION REF1 indicates that incoming waveform data be stored in reference 1.

## DATA:ENCdg

Sets or returns the format of outgoing waveform data. This command is equivalent to setting [WFMOupre:ENCdg](#), [WFMOupre:BN\\_Fmt](#), and [WFMOupre:BYT\\_Or](#). Setting the DATA:ENCdg value causes the corresponding WFMOupre values to be updated and conversley.

**NOTE.** *This command and query does not apply to incoming waveform data.*

**Group**      Waveform Transfer

**Syntax**      DATA:ENCdg  
 {ASCIi | FASTest | RIBinary | RPBinary | SRIBinary | SRPbinary}  
 DATA:ENCdg?

**Related Commands**      [WFMOutpre:ENCdg](#), [WFMOutpre:BN\\_Fmt](#), [WFMOutpre:BYT\\_Or](#)

**Arguments**      ASCIi specifies the ASCII representation for waveform data points. If ASCII is the value, then :BN\_Fmt and :BYT\_Or are ignored.

FASTest specifies that the data be sent in the fastest possible manner consistent with maintaining accuracy and is interpreted with respect to the waveform specified by [DATA:SOUrce](#).

RIBINARY specifies signed integer data point representation with the most significant byte transferred first.

When :BYT\_Nr is 1, the range is from -128 through 127. When :BYT\_Nr is 2, the range is from -32,768 through 32,767. Center screen is 0 (zero). The upper limit is the top of the screen and the lower limit is the bottom of the screen. This is the default argument.

RPBinary specifies the positive integer data-point representation, with the most significant byte transferred first.

When :BYT\_Nr is 1, the range from 0 through 255. When :BYT\_Nr is 2, the range is from 0 to 65,535. The center of the screen is 127. The upper limit is the top of the screen and the lower limit is the bottom of the screen.

SRIBinary is the same as RIBinary except that the byte order is swapped, meaning that the least significant byte is transferred first. This format is useful when transferring data to IBM compatible PCs.

SRPbinary is the same as RPBinary except that the byte order is swapped, meaning that the least significant byte is transferred first. This format is useful when transferring data to PCs.

**Table 2-37: DATA and WFMOutpre Parameter Settings**

DATA:ENCdg Setting	WFMOutpre Settings			
	:ENCdg	:BN_Fmt	:BYT_Or	:BYT_NR
ASCIi	ASC	N/A	N/A	1,2
FASTest	BIN	RI	MSB	1,2
RIBinary	BIN	RI	MSB	1,2



- Examples** DATA:SOURCE? might return :DATA:SOURCE REF3 indicating that the source for the waveform data which is transferred using a CURVe? query is reference 3.
- DATA:SOURCE CH1 specifies that the CH1 waveform will be transferred in the next CURVe? query.

## DATA:START

Sets or returns the starting data point for incoming or outgoing waveform transfer. This command allows for the transfer of partial waveforms to and from the oscilloscope.

**Group** Waveform Transfer

**Syntax** DATA:START <NR1>  
DATA:START?

**Related Commands** [CURVe](#), [DATA](#), [DATA:STOP](#), [WFMinpre:NR\\_Pt](#), [WFMOupre:NR\\_Pt?](#)

**Arguments** <NR1> is the first data point that will be transferred, which ranges from 1 to the record length. Data will be transferred from <NR1> to DATA:STOP or the record length, whichever is less. If <NR1> is greater than the record length, the last data point in the record is transferred.

DATA:START and DATA:STOP are order independent. When DATA:STOP is greater than DATA:START, the values will be swapped internally for the CURVe? query.

- Examples** DATA:START? might return :DATA:START 214 indicating that data point 214 is the first waveform data point that will be transferred.
- DATA:START 10 specifies that the waveform transfer will begin with data point 10.

## DATA:STOP

Sets or returns the last data point that will be transferred when using the [CURVe?](#) query. This command allows for the transfer of partial waveforms from the oscilloscope.

Changes to the record length value are not automatically reflected in the DATA:STOP value. As record length is varied, the DATA:STOP value must be explicitly changed to ensure the entire record is transmitted. In other words, curve results will not automatically and correctly reflect increases in record length if



the distance from `DATA:START` to `DATA:STOP` stays smaller than the increased record length.

**Group** Waveform Transfer

**Syntax** `DATA:STOP <NR1>`  
`DATA:STOP?`

**Related Commands** [CURVe](#), [DATA](#), [DATA:START](#), [WFMInpre:NR\\_Pt](#), [WFMOutpre:NR\\_Pt?](#)

**Arguments** `<NR1>` is the last data point that will be transferred, which ranges from 1 to the record length. If `<NR1>` is greater than the record length, then data will be transferred up to the record length. If both `DATA:START` and `DATA:STOP` are greater than the record length, the last data point in the record is returned.

`DATA:START` and `DATA:STOP` are order independent. When `DATA:STOP` is less than `DATA:START`, the values will be swapped internally for the `CURVE?` query.

If you always want to transfer complete waveforms, set `DATA:START` to 1 and `DATA:STOP` to the maximum record length, or larger.

**Examples** `DATA:STOP?` might return `:DATA:STOP 14900` indicating that 14900 is the last waveform data point that will be transferred.

`DATA:STOP 15000` specifies that the waveform transfer will stop at data point 15000.

## DATE

Sets or returns the date the oscilloscope displays.

**Group** Miscellaneous

**Syntax** `DATE <QString>`  
`DATE?`

**Related Commands** [TIME](#)

**Arguments** `<QString>` is a date in the form "yyyy-mm-dd" where yyyy refers to a four-digit year number, mm refers to a two-digit month number from 01 to 12, and dd refers to a two-digit day number in the month.

**Examples**     DATE "2006-01-24" specifies that the date is set to January 24, 2006.  
DATE? might return :DATE 2006-01-24 indicating the current date is set to January 24, 2006.

## \*DDT

Allows you to specify a command or a list of commands that execute when the oscilloscope receives a \*TRG command or the GET IEEE488.2 interface message. Define Device Trigger (\*DDT) is a special alias that the \*TRG command uses.

**Group**        Miscellaneous

**Syntax**       \*DDT {<Block>|<QString>}  
\*DDT?

**Related Commands**    ALias, \*TRG

**Arguments**        <Block> is a complete sequence of program messages. The messages can contain only valid commands that must be separated by semicolons and must follow all rules for concatenating commands. The sequence must be less than or equal to 80 characters. The format of this argument is always returned as a query.  
  
<QString> is a complete sequence of program messages. The messages can contain only valid commands that must be separated by semicolons and must follow all rules for concatenating commands. The sequence must be less than or equal to 80 characters.

**Examples**        \*DDT #OACQUIRE:STATE RUN specifies that the acquisition system will be started each time a \*TRG command is sent.

## DESE

Sets or returns the bits in the Device Event Status Enable Register (DESER). The DESER is the mask that determines whether events are reported to the Standard Event Status Register (SESR), and entered into the Event Queue. For a detailed discussion of the use of these registers, see Registers.

**Group**        Status and Error

**Syntax** DESE <NR1>  
DESE?

**Related Commands** [\\*CLS](#), [\\*ESE](#), [\\*ESR?](#), [EVENT?](#), [EVMsg?](#), [\\*SRE](#), [\\*STB?](#)

**Arguments** <NR1> sets the binary bits of the DESER according to this value, which ranges from 1 through 255. For example, DESE 209 sets the DESER to the binary value 11010001 (that is, the most significant bit in the register is set to 1, the next most significant bit to 1, the next bit to 0, etc.).

The power-on default for DESER is all bits set if \*PSC is 1. If \*PSC is 0, the DESER maintains the previous power cycle value through the current power cycle.

**NOTE.** *Setting the DESER and ESER to the same value allows only those codes to be entered into the Event Queue and summarized on the ESB bit (bit 5) of the Status Byte Register. Use the [\\*ESE](#) command to set the ESER.*

**Examples** DESE 209 sets the DESER to binary 11010001, which enables the PON, URQ, EXE and OPC bits.

DESE? might return :DESE 186, showing that the DESER contains the binary value 10111010.

## DESkew (No Query Form)

Causes the deskew values for all channels to be set to the recommended values. Equivalent to pressing the "Set all deskews to recommended values" button in the application UI.

**NOTE.** *The actual deskew values for each channel can be set or queried using the [CH<x>:DESKew](#) command.*

**Group** Vertical

**Syntax** DESkew {SETALLtorec}

**Arguments** <SETALLtorec> sets the deskew for all channels to the recommended values.

## DESkew:DISPlay

Sets or returns the state of the deskew table display.

**Group** Vertical

**Syntax** DESkew:DISPlay {OFF|ON|0|1}  
DESkew:DISPlay?

**Arguments** OFF or 0 turns off the deskew table display.  
ON or 1 turns on the deskew table display.

## DIAG:LOOP:OPTion

Sets the self-test loop option.

**Group** Calibration and Diagnostic

**Syntax** DIAG:LOOP:OPTion {ALWAYS|FAIL|ONFAIL|ONCE|NTIMES}

**Arguments** ALWAYS continues looping until the self tests (diagnostics) are stopped via the front panel or by an oscilloscope command.

FAIL causes looping until the first self test (diagnostic) failure or until self tests (diagnostics) are stopped.

ONFAIL causes looping on a specific test group as long as a FAIL status is returned from the test.

ONCE executes self test (diagnostics test) sequence once.

NTIMES runs “n” number of loops.

**Examples** DIAG:LOOP:OPTION ONCE runs one loop of self tests.

## DIAG:LOOP:OPTion:NTIMes

Sets the self-test loop option to run N times.

**Group** Calibration and Diagnostic

<b>Syntax</b>	<code>DIAG:LOOP:OPTion:NTIMes &lt;NR1&gt;</code> <code>DIAG:LOOP:OPTion:NTIMes?</code>
<b>Arguments</b>	<NR1> is the number of self-test loops.
<b>Examples</b>	<code>DIAG:LOOP:OPTION:NTIMES 3</code> sets the self-test loop to run three times. <code>DIAG:LOOP:OPTION:NTIMES?</code> might return <code>:DIAG:LOOP:OPTION:NTIMES 5</code> , indicating the self-test loop is set to run five times.

## DIAG:LOOP:STOP (No Query Form)

Stops the self-test at the end of the current loop.

<b>Group</b>	Calibration and Diagnostic
<b>Syntax</b>	<code>DIAG:LOOP:STOP</code>
<b>Examples</b>	<code>DIAG:LOOP:STOP</code> stops the self test at the end of the current loop.

## DIAG:RESULT:FLAG? (Query Only)

Returns the pass/fail status from the last self-test sequence execution. Use this query to determine which test(s) has failed.

<b>Group</b>	Calibration and Diagnostic
<b>Syntax</b>	<code>DIAG:RESUlT:FLAg?</code>
<b>Related Commands</b>	<a href="#">DIAG:RESUlT:LOG?</a>
<b>Returns</b>	<code>PASS</code> indicates that all of the selected self (diagnostic) tests have passed. <code>FAIL</code> indicates that at least one of the selected self (diagnostic) tests has failed. <code>IN PROGRESS</code> indicates that at least one of the selected self (diagnostic) tests is ongoing. <code>NOT RUN</code> indicates that the selected diagnostic test suite has not been run since the instrument was powered on.

**Examples**    `DIAG:RESULT:FLAG?` might return `DIAG:RESULT:FLAG PASS.`

## DIAG:RESUlt:LOG? (Query Only)

Returns the internal results log from the last self-test sequence execution. The list contains all modules and module interfaces that were tested along with the pass/fail status of each.

**Group**    Calibration and Diagnostic

**Syntax**    `DIAG:RESUlt:LOG?`

**Related Commands**    [DIAG:RESUlt:FLAg?](#)

**Returns**    <QString> in the following format:  
                  <Status>--<Module name>[,<Status>--<Module name>...]

**Examples**    `DIAG:RESULT:LOG?` might return `:DIAG:RESULT:LOG "NOT RUN--CPU,NOT RUN--DISPLAY,NOT RUN--FPANEL,NOT RUN--IO,NOT RUN--ACQ,NOT RUN--ROM,NOT RUN--APPKEY"`

## DIAG:SElect (No Query Form)

Sets the type of diagnostics grouping.

**Group**    Calibration and Diagnostic

**Syntax**    `DIAG:SElect {ALL|APPKey|CPU|DISpLAY|FPAnel|IO|ROM|ACQ}`

**Arguments**    ALL runs all diagnostic groups.  
                  APPKey runs just the application key diagnostic group.  
                  CPU runs just the CPU diagnostic group.  
                  DISpLAY runs just the display circuit diagnostic group.  
                  FFPAnel runs just the front panel diagnostic group.  
                  IO runs just the IO board diagnostic group.

ROM runs just the IO board diagnostic group.

ACQ runs just the acquisition system diagnostic group.

## DIAG:SElect:<function> (No Query Form)

Runs self-tests on the specified system subsystem.

**Group** Calibration and Diagnostic

**Syntax** `DIAG:SElect:<function>`

**Arguments** <function> specifies a single oscilloscope subsystem on which to run self tests (diagnostics). Valid values are:

ACQ tests the acquisition system.

APPKey tests the application keys.

CPU tests the CPU.

DISpLay tests the display.

FPAnel tests the front panel controls.

IO tests the IO ports.

ROM tests the system read only memory.

**Examples** `DIAG:SELECT:CPU` sets the oscilloscope to run just CPU tests.

## DIAG:STATE (No Query Form)

This command starts or stops the oscilloscope self-test. Depending on the argument, self-test capabilities are either turned on or off.

**Group** Calibration and Diagnostic

**Syntax** `DIAG:STATE {EXECute|ABORt}`

**Arguments** EXECute starts diagnostics.

ABORt stops diagnostics at the end of the current loop.

**Examples**    `DIAG:STATE EXECute` starts diagnostics.

## DISplay? (Query Only)

Returns the current display settings.

**Group**    Display

**Syntax**    `DISplay?`

## DISplay:CLOCK

Sets or returns whether the oscilloscope displays the date and time. The query form of this command returns an ON (1) or an OFF (0).

**Group**    Display

**Syntax**    `DISplay:CLOCK {ON|OFF|<NR1>}`  
`DISplay:CLOCK?`

**Related Commands**    [DATE](#), [TIME](#)

**Arguments**    ON enables the display of date and time.  
OFF disables the display of date and time.  
<NR1> = 0 disables the display of date and time; any other value enables the display of date and time.

**Examples**    `DISPLAY:CLOCK ON` enables display of date and time.  
`DISPLAY:CLOCK?` might return `:DISPLAY:CLOCK 1` indicating that the display of date and time is currently enabled.

## DISplay:DIgital:HEIght

Sets or returns the number of available digital waveform position slots.

---

**NOTE.** *If the number of live digital channels exceeds the number of slots, their height is reduced to a smaller size, allowing all digital channels to be displayed.*

---



<b>Group</b>	Display
<b>Syntax</b>	DISplay:DIGital:HEIght {SMAl1 MEDIum LARGe} DISplay:DIGital:HEIght?
<b>Arguments</b>	SMAl1 sets the height to 40. MEDIum sets the height to 20. LARGe sets the height to 10.

## DISplay:FORMat

Sets or returns the display format.

<b>Group</b>	Display
<b>Syntax</b>	DISplay:FORMat {YT XY} DISplay:FORMat?
<b>Arguments</b>	YT sets the display to a voltage versus time format and is the default mode. XY argument displays one waveform against another. Selecting one source causes its corresponding source to be implicitly selected, producing a single trace from the two input waveforms.
<b>Examples</b>	DISPLAY:FORMAT XY sets the display format to XY. DISPLAY:FORMAT? might return DISPLAY:FORMAT YT indicating the display format is YT.

## DISplay:GRAticule

Selects or queries the type of graticule the oscilloscope displays.

<b>Group</b>	Display
<b>Syntax</b>	DISplay:GRAticule {CROSSHair FRAME FUL1 GRID} DISplay:GRAticule?

**Arguments**    `CROSSHaIr` specifies a frame and cross hairs.  
                  `FRaMe` specifies a frame only.  
                  `FULl` specifies a frame, a grid and cross hairs.  
                  `GRId` specifies a frame and grid only.

**Examples**    `DISPlay:GRATICULE FRaMe` sets the graticule type to display the frame only.  
                  `DISPlay:GRATICULE?` might return `:DISPlay:GRATICULE FULL` indicating that all graticule elements are selected.

## DISplay:INTENSITy? (Query Only)

Returns the display intensity settings.

**Group**        `Display`

**Syntax**       `DISplay:INTENSITy?`

**Examples**    `DISPlay:INTENSITy?` might return: `:DISPlay:INTENSITy:WAVEFORM 30;GRATICULE 75;BACKLIGHT HIGH`

## DISplay:INTENSITy:BACKLight

Sets and returns the waveform backlight intensity settings.

**Group**        `Display`

**Syntax**       `DISplay:INTENSITy:BACKLight {LOW|MEDIum|HIGH}`  
`DISplay:INTENSITy:BACKLight?`

**Examples**    `DISPlay:INTENSITy:BACKLIGHT?` might return  
`DISPlay:INTENSITy:BACKLIGHT HIGH`

## DISplay:INTENSITy:GRaticule

Sets and returns the display graticule intensity settings.

<b>Group</b>	Display
<b>Syntax</b>	DISplay:INTENSITY:GRaticule <NR1> DISplay:INTENSITY:GRaticule?
<b>Arguments</b>	<NR1> is the graticule intensity and ranges from 0 to 100 percent.
<b>Examples</b>	DISPLAY:INTENSITY:GRATICULE? might return DISPLAY:INTENSITY:GRATICULE 30

## DISplay:INTENSITY:WAVEform

Sets and returns the display waveform intensity settings.

<b>Group</b>	Display
<b>Syntax</b>	DISplay:INTENSITY:WAVEform <NR1> DISplay:INTENSITY:WAVEform?
<b>Arguments</b>	<NR1> is the waveform intensity and ranges from 1 to 100 percent.
<b>Examples</b>	DISPLAY:INTENSITY:WAVEFORM? might return DISPLAY:INTENSITY:WAVEFORM 60  as the intensity of the waveforms.

## DISplay:PERSistence

Sets or returns the display persistence. This affects the display only.

---

**NOTE.** *When Persistence is set to Infinite, it does not mean that the brightness of any pixel should never decrease. The brightness of a pixel is proportionally dependent on the ratio between its intensity (which does NOT decrease at Infinite Persistence) and the maximum value of intensity of any pixel on the screen. If a particular pixel get hit less often than others, its brightness will decrease over time. It will become less bright relative to the pixels that get hit often.*

---

<b>Group</b>	Display
--------------	---------

**Syntax** DISplay:PERSistence {<NR3>|CLEAR|AUTO|MINImum|INFInite}  
DISplay:PERSistence?

**Arguments** <NR3> specifies the time of the persistence.

CLEAR resets the persist time count down and clears the display of acquired points.

INFInite displays waveform points until a control change resets the acquisition system. When persistence is set to infinite, it does not mean that the brightness of any pixel should never decrease. The brightness of a pixel is proportionally dependent on the ratio between its intensity, which does NOT decrease at infinite persistence, and the maximum value of intensity of any pixel on the screen. Thus, if a particular pixel gets hit less often than others, its brightness will decrease over time. It will become less bright relative to the pixels that get hit often.

AUTO specifies that the oscilloscope automatically determines the best waveform persistence based on the value of waveform intensity (DISPLAY:INTEnsITY:WAVEFORM)

MINImum specifies that the waveform persistence is set to the minimum value of 0.0E0.

**Examples** DISPLAY:PERSISTENCE 3 specifies that the waveform points are displayed fading for 3 seconds before they completely disappear.

## DISplay:STYle:DOTsonly

Turns on or off the dots-only mode for the waveform display.

**Group** Display

**Syntax** DISplay:STYle:DOTsonly {ON|OFF|<NR1>}  
DISplay:STYle:DOTsonly?

**Arguments** ON or <NR1> ≠ 0 turns on the dots-only display.

OFF or <NR1> = 0 turns off the dots-only display.

## D<x>

Sets or returns parameters for digital channel <x>, where x is the channel number.

**Group** Vertical

**Syntax** D<x>

## D<x>:LABel

Sets or returns the waveform label for digital channel <x>, where x is the channel number.

**Group** Vertical

**Syntax** D<x>:LABel <Qstring>  
D<x>:LABel?

**Arguments** <Qstring> is an alphanumeric string of text, enclosed in quotes, that contains the text label information for the digital channel <x> waveform. The text string is limited to 30 characters.

**Examples** D4:LABEL? might return :D4:LABEL "Clk wfm 4".

## D<x>:POSition

Sets or returns the vertical position for digital channel <x>, where x is the channel number.

---

**NOTE.** Unlike analog channels, which use the center baseline as the zero point, digital channels use the bottom logic level as the zero point. Because of the slot model used to describe digital channel position, the oscilloscope rounds off divisions to the nearest slot.

---

**Group** Vertical

**Syntax** D<x>:POSition <NR3>  
D<x>:POSition?

**Arguments** <NR3> is the position of the digital channel in slot units. Use the oscilloscope front-panel controls to place the channel; then query the channel to obtain an exact value for the position.

## D<x>:THREshold

Sets or returns the logical threshold for digital channel <x>, where x is the channel number.

**Group** Vertical

**Syntax** D<x>:THREsho1d {ECL|TTL|<NR3>}  
D<x>:THREsho1d?

**Arguments** ECL sets the digital threshold for channel <x> to a preset ECL high level of -1.3V.  
TTL sets the digital threshold for channel <x> to a preset TTL high level of 1.4V.  
<NR3> specifies the digital threshold for channel <x> in volts.

**Examples** D5:THRESHOLD ECL sets the threshold for D5 digital channel to ECL levels.  
D14:threshold? might return :D14:THRESHOLD 1.2500 indicating that the threshold level for the D14 digital channel is 1.25 volts.

## \*ESE

Sets and queries the bits in the Event Status Enable Register (ESER). The ESER prevents events from being reported to the Status Byte Register (STB). For a detailed discussion on how to use registers, see Registers.

**Group** Status and Error

**Syntax** \*ESE <NR1>  
\*ESE?

**Related Commands** [\\*CLS](#), [DESE](#), [\\*ESR?](#), [EVENT?](#), [EVMsg?](#), [\\*SRE](#), [\\*STB?](#)

**Arguments** <NR1> specifies the binary bits of the ESER according to this value, which ranges from 0 through 255.

The power-on default for the ESER is 0 if \*PSC is 1. If \*PSC is 0, the ESER maintains the previous power cycle value through the current power cycle.

**NOTE.** *Setting the DESER and the ESER to the same values allows only those codes to be entered into the Event Queue and summarized on the ESB bit (bit 5) of the Status Byte Register. Use the DESE command to set the DESER.*

**Examples** \*ESE 209 sets the ESER to binary 11010001, which enables the PON, URQ, EXE, and OPC bits.

\*ESE? might return 186, showing that the ESER contains the binary value 10111010.

## \*ESR? (Query Only)

Returns the contents of the Standard Event Status Register (SESR). \*ESR? also clears the SESR (reading the SESR clears it). For a detailed discussion on how to use registers, see Registers.

**Group** Status and Error

**Syntax** \*ESR?

**Related Commands** [ALLEv?](#), [\\*CLS](#), [DESE](#), [\\*ESE](#), [EVENT?](#), [EVMsg?](#), [\\*SRE](#), [\\*STB?](#)

**Examples** \*ESR? might return 213, showing that the SESR contains the binary value 11010101.

## ETHERnet:DHCPbootp

Sets or returns the network initialization search for a DHCP/BOOTP server.

**Group** Ethernet

**Syntax** ETHERnet:DHCPbootp {ON|OFF}  
ETHERnet:DHCPbootp?

**Arguments** ON enables the oscilloscope to search the network for a DHCP or BOOTP server in order to automatically assign a dynamic IP address to the oscilloscope.

---

**NOTE.** Do not use DHCP/BOOTP searching if your oscilloscope has been assigned a static address on a network. If you set this command to ON, the DHCP/BOOTP search will delete or change your static IP address information.

---

OFF disables the oscilloscope to search the network for a DHCP or BOOTP server.

**Examples**     ETHERNET:DHCPBOOTP ON sets the oscilloscope to search for a DHCP or BOOTP server and assign a dynamic IP address to the oscilloscope.

## ETHERnet:DNS:IPADDRESS

Sets or returns the network Domain Name Server (Dns) IP address.

**Group**     Ethernet

**Syntax**     ETHERnet:DNS:IPADDRESS <QString>  
ETHERnet:DNS:IPADDRESS?

**Arguments**     <QString> is a standard IP address value, enclosed in quotes.

**Examples**     ETHERNET:DNS:IPADDRESS "128.196.13.352" sets the Dns IP address that the oscilloscope uses to communicate with the network.

## ETHERnet:DOMAINname

Sets or returns the network domain name.

**Group**     Ethernet

**Syntax**     ETHERnet:DOMAINname <Qstring>  
ETHERnet:DOMAINname?

**Arguments**     <QString> is the network domain name, enclosed in quotes.

**Examples**     ETHERNET:DOMAINNAME "Alpha1.Mycorp.com" sets the domain name that the oscilloscope uses to communicate with the network.



## ETHERnet:ENET:ADDRESS? (Query Only)

Returns the Ethernet address value assigned to the oscilloscope. This is assigned at the factory and can not be changed.

**Group** Ethernet

**Syntax** ETHERnet:ENET:ADDRESS?

**Examples** ETHERNET:ENET:ADDRESS? returns an Ethernet address such as 08:00:11:01:02:03

## ETHERnet:GATEWay:IPADDRESS

Sets or returns the remote interface gateway IP address.

**Group** Ethernet

**Syntax** ETHERnet:GATEWay:IPADDRESS <QString>  
ETHERnet:GATEWay:IPADDRESS?

**Arguments** <QString> is a standard IP address value, enclosed in quotes.

**Examples** ETHERNET:GATEWAY:IPADDRESS "128.143.16.1" sets the gateway IP address.

## ETHERnet:HTTPPort

Sets or returns the remote interface HTTP port value.

**Group** Ethernet

**Syntax** ETHERnet:HTTPPort <QString>  
ETHERnet:HTTPPort?

**Arguments** <QString> is an integer port number, enclosed in quotes.

---

**NOTE.** Consider the following if you are using the e\*Scope™ control software. If you don't enter a port address in the URL, then the ETHERnet:HTTPPort value must be set to "80", which is the default port for HTTP protocol. If you use a URL with a port address (for example: `http://DPO4104-04WKL4:1234`), the port number is specified by the number after the colon. Set the ETHERnet:HTTPPort value to this same number.

---

**Examples** ETHERNET:HTTPPORT "80" sets the HTTP port value to 80.

## ETHERnet:IPADDRESS

Sets or returns the IP address assigned to the oscilloscope.

**Group** Ethernet

**Syntax** ETHERnet:IPADDRESS <QString>  
ETHERnet:IPADDRESS?

**Arguments** <QString> is a standard IP address value, enclosed in quotes.

**Examples** ETHERNET:IPADDRESS "123.121.13.214" sets the oscilloscope's IP address.

## ETHERnet:NAME

Sets or returns the network name assigned to the oscilloscope.

**Group** Ethernet

**Syntax** ETHERnet:NAME <QString>  
ETHERnet:NAME?

**Arguments** <QString> is the network name assigned to the oscilloscope, enclosed in quotes.

**Examples** ETHERNET:NAME "labscope1" sets the oscilloscope's network name.

## ETHERnet:PASSWord

Sets or returns the HTTP Ethernet access password. If a password is set, the user must enter the password before the user's Web browser can access the oscilloscope.

**Group** Ethernet

**Syntax** ETHERnet:PASSWord <new>  
ETHERnet:PASSWord?

**Arguments** <new> is a new password, enclosed in quotes.

**Examples** ETHERNET:PASSWORD "ZEN53" replaces the current Ethernet password with the new password ZEN53.

ETHERNET:PASSWORD? might return :ETHERNET:PASSWORD "ZEN53".

## ETHERnet:PING (No Query Form)

Causes the oscilloscope to ping the gateway IP address.

**Group** Ethernet

**Syntax** ETHERnet:PING EXECute

**Examples** ETHERNET:PING EXECUTE causes the oscilloscope to ping the gateway IP address.

## ETHERnet:PING:STATUS? (Query Only)

Returns the results from sending the [ETHERnet:PING](#) command to ping the gateway IP address.

**Group** Ethernet

**Syntax** ETHERnet:PING:STATUS?

**Returns** OK is returned if the computer at the gateway IP address answers.  
NORESPONSE is returned if the computer at the gateway IP address does not answer.  
INPROGRESS is returned if the ping operation is still executing.

## ETHERnet:SUBNETMask

Sets or returns the remote interface subnet mask value.

**Group** Ethernet

**Syntax** ETHERnet:SUBNETMask <QString>  
ETHERnet:SUBNETMask?

**Arguments** <QString> is the subnet mask value, enclosed in quotes.

**Examples** ETHERNET:SUBNETMASK "255.255.255.0" sets the subnet mask value using standard IP address notation format.

## EVENT? (Query Only)

Returns an event code from the Event Queue that provides information about the results of the last \*ESR? read. EVENT? also removes the returned value from the Event Queue.

**Group** Status and Error

**Syntax** EVENT?

**Related Commands** ALLEv?, \*CLS, DESE, \*ESE, \*ESR?, EVMsg?, \*SRE, \*STB?

**Examples** EVENT? might return :EVENT 110, showing that there was an error in a command header. (See page 3-12, *Messages*.)

## EVMsg? (Query Only)

Removes a single event code from the Event Queue that is associated with the results of the last **\*ESR?** read and returns the event code along with an explanatory message. For information, see Event Handling.

**Group** Status and Error

**Syntax** EVMsg?

**Related Commands** [ALLEv?](#)  
[\\*CLS](#), [DESE](#), [\\*ESE](#), [\\*ESR?](#), [EVENT?](#), [\\*SRE](#), [\\*STB?](#)

**Returns** The event code and message in the following format:  
 <Event Code><Comma><QString>[<Event Code><Comma><QString>...]<QString>::= <Message>;[<Command>] where <Command> is the command that caused the error and may be returned when a command error is detected by the oscilloscope. As much of the command will be returned as possible without exceeding the 60 character limit of the <Message> and <Command> string combined. The command string is right-justified.

**Examples** EVMSG? might return :EVMSG 110,"Command header error".

## EVQty? (Query Only)

Returns the number of event codes in the Event Queue. This is useful when using the [ALLEv?](#) query, which returns the exact number of events.

**Group** Status and Error

**Syntax** EVQty?

**Related Commands** [ALLEv?](#), [EVENT?](#), [EVMsg?](#)

**Examples** EVQTY? might return :EVQTY 3, indicating the number of event codes in the Event Queue.

## FACTory (No Query Form)

Resets the oscilloscope to its factory default settings.

This command does the following:

- Clears the Event Status Enable Register
- Clears the Service Request Enable Register
- Sets the Device Event Status Enable Register to 255
- Purges all defined aliases
- Enables all Command Headers
- Sets the macro defined by \*DDT to a "zero-length field"
- Clears the pending operation flag and associated operations

This command does not reset the following:

- Communication settings
- Selected GPIB address.
- State of the VXI-11 (Ethernet IEEE Std 488.2) interface.
- Calibration data that affects device specifications
- Protected user data
- Stored settings
- Power On Status Clear Flag
- Oscilloscope password

**Group** Save and Recall

**Syntax** FACTory

**Related Commands** [\\*PSC](#), [\\*RCL](#), [RECALL:SETUp](#), [\\*RST](#), [\\*SAV](#), [SAVE:SETUp](#)

**Arguments** None

**Examples** FACTORY resets the oscilloscope to its factory default settings.

## FILESystem? (Query Only)

Returns the directory listing of the current working directory and the number of bytes of free space available. This query is the same as the [FILESystem:DIR?](#) query and the [FILESystem:FREESpace?](#) query.

**Group** File System

**Syntax** FILESystem?

**Related Commands** [FILESystem:CWD](#), [FILESystem:DELEte](#), [FILESystem:DIR?](#), [FILESystem:REName](#)

**Arguments** None.

**Examples** FILESYSTEM? might return

```
:FILESYSTEM:DIR
"tek00000.bmp", "elusiveGlitch1.png", "TEMP.TMP",
"file1.wfm", "file2.wfm", "MATH1.wfm",
REF1.wfm", "REF2.wfm";FREESPACE 30212096
```

## FILESystem:CWD

Sets or returns the current working directory (CWD) for FILESystem commands. The default working directory is "D:". Anytime you use this command to change the directory, the directory that you specify is retained as the current working directory until you either change the directory or you delete the directory. If you delete the current working directory, the oscilloscope resets current working directory to the default directory (D:) the next time the oscilloscope is powered on or the next time you execute a file system command.

This command supports the permutations of file and directory names supported by Microsoft Windows:

- Relative path names; for example, "./Temp"
- Absolute path names; for example, "D:/MyWaveform"
- Implied relative path names; for example "newfile.txt" becomes "D:/TekScope/newfile.txt" if the current working directory is "D:/TekScope"

**Group** File System

**Syntax** FILESystem:CWD {<new working directory path>}

**Arguments** <new working directory path> is a quoted string that defines the current working; a directory name can be up to 128 characters.

**Examples** FILESYSTEM:CWD "D:/TekScope/images" sets the current working directory to images.

FILESYSTEM:CWD? might return

:FILESYSTEM:CWD "D:/TekScope/waveforms" indicating that the current working directory is set to Waveforms.

## FILESystem:DELEte (No Query Form)

This command deletes a named file. If you specify a directory name, it will delete the directory and all of its contents, the same as the RMDir command. You can also specify the filename as \*.\* to delete all of the files in the current or specified directory.

**Group** File System

**Syntax** FILESystem:DELEte <file path>

**Related Commands** [FILESystem:CWD](#)  
[FILESystem:RMDir](#)

**Arguments** <file path> is a quoted string that defines the file name and path. If the file path is within the current working directory, you need only specify the file name.

The argument \*.\* will delete all files and subdirectories within the current working directory.

**Examples** FILESYSTEM:DELETE "NOT\_MINE.SET" deletes the file named NOT\_MINE.SET from the current working directory.

## FILESystem:DIR? (Query Only)

Returns a list of quoted strings. Each string contains the name of a file or directory in the current working directory.



<b>Group</b>	File System
<b>Syntax</b>	FILESystem:DIR?
<b>Related Commands</b>	<a href="#">FILESystem:CWD</a> , <a href="#">FILESystem:MKDir</a>
<b>Arguments</b>	None
<b>Returns</b>	FILESystem:DIR? returns a list of files and directories in the current working directory.
<b>Examples</b>	FILESYSTEM:DIR? might return : FILESYSTEM:DIR "tek00000.png", "my_CAN_setup.set", "savedwfm1.isf", "myImages"

## FILESystem:FORMat (No Query Form)

Formats a mass storage device. This command should be used with extreme caution as it causes all data on the specified mass storage device to be lost. Drive letters (e.g., E:) are case sensitive and must be upper case. For all other FILESYSTEM commands, drives letters are not case sensitive. Example: FILE:FORMAT "E:/" Formats the USB flash drive installed in the oscilloscope's front panel USB port.

<b>Group</b>	File System
<b>Syntax</b>	FILESystem:FORMat
<b>Arguments</b>	<drive name> is a quoted string that defines the disk drive to format.
<b>Examples</b>	FILESYSTEM:FORMAT "E:/" Formats the USB flash drive installed in the oscilloscope's front panel USB port.

## FILESystem:FREEspace? (Query Only)

Returns the number of bytes of free space on the current drive.

**Group** File System

**Syntax** FILESystem:FREESpace?

**Related Commands** [FILESystem:FREESpace?](#), [FILESystem:CWD](#)

## FILESystem:MKDir (No Query Form)

Creates a new folder.

**Group** File System

**Syntax** FILESystem:MKDir <directory path>

**Related Commands** [FILESystem:CWD](#), [FILESystem:DIR?](#)

**Arguments** <di rectory path> is a quoted string that specifies the directory to create

**Examples** FILESYSTEM:MKDIR "D:/NewDirectory" creates the directory named *NewDirectory* at the root of the D drive.

These two commands create the directory MyNewSubDirectory within the existing directory MyDirectory at the root of the D drive:

```
FILESYSTEM:CWD "D:/MyDirectory"; FILESYSTEM:MKDIR  
"MyNewSubDirectory"
```

This, of course, assumes that *D:/MyDirectory* already existed and was not a read-only directory.

## FILESystem:READFile (No Query Form)

Writes the contents of the specified file to the specified interface. If the specified file does not exist or is not readable, an appropriate error event is posted.

**Group** File System

**Syntax** FILESystem:READFile <QString>

**Related Commands**    [FILESystem:CWD](#)

**Arguments**    <QString> is a quoted string that defines the file name and path. If the file path is within the current working directory, specify only the file name.

**Examples**    FILESYSTEM:READFILE "D:/test\_data/tek00016CH1.csv" reads the content of the specified file, if the file exists and is readable, and sends the content of the file to the current interface.

## FILESystem:REName (No Query Form)

Assigns a new name to an existing file.

**Group**    File System

**Syntax**    FILESystem:REName <old file path>,<new file path>

**Related Commands**    [FILESystem:CWD](#)

**Arguments**    <old file path> is a quoted string that defines the file name and path. If the file path is within the current working directory, you need only specify the file name.

<new file path> is a quoted string that defines the file name and path. If the file path is within the current working directory, you need only specify the file name.

**Examples**    FILESYSTEM:RENAME "D:/TEK00000.SET", "D:/MYSETTING.SET" gives the file named TEK00000.SET the new name of MYSETTING.SET. The file remains in the root directory on the D drive.

## FILESystem:RMDir (No Query Form)

Deletes a named directory. This command deletes the specified directory and all of its contents. The directory must not be a read-only directory.

**Group**    File System

**Syntax**    FILESystem:RMDir <directory path>

**Related Commands**    [FILESystem:CWD](#)

**Arguments**    <directory path> is a quoted string that defines the directory name and path. If the file path is within the current working directory, you need only specify the file name.

**Examples**    FILESYSTEM:RMDIR "D:/OldDirectory" removes the directory named OldDirectory from the root of the D drive.

## FILESystem:WRITEFile (No Query Form)

Writes the specified block data to a file in the oscilloscope current working directory. If the specified file does not exist or is not readable, an appropriate error event is posted.

**Group**    File System

**Syntax**    FILESystem:WRITEFile <file path>, <data>

**Related Commands**    [FILESystem:CWD](#)

**Arguments**    <file path> is the quoted string that defines the file name and path. If the path is within the current working directory, specify the file name only.

<data> can be either DEFINITE LENGTH encoding or INDEFINITE LENGTH ARBITRARY BLOCK PROGRAM DATA encoding as described in IEEE488.2.

## FPanel:PRESS (No Query Form)

Simulates the action of pressing a specified front-panel button.

When the front panel is locked, the front-panel button and multipurpose knob operations are suspended. The FPanel:PRESS and the [FPanel:TURN](#) commands will also not work. You can work around this by using the appropriate programmatic interface commands, instead of the front-panel commands.

**Group**    Miscellaneous

**Syntax**    FPanel:PRESS <button>

**Arguments** <button> is the name of a front-panel button. Most of the argument names associate directly with their front panel buttons. For example, AUTOSet is for the Autoset button. The few commands that do not have obvious associations are listed below.

**Table 2-38: FPanel:PRESS arguments**

<b>Argument</b>	<b>Description</b>
ACQuire	<b>Acquire</b> button
AUTOset	<b>Autoset</b> button
BMENU<x>	Screen bottom menu buttons, where <x>=1 for the left-most bottom menu button and <x>=7 for the right-most bottom menu button
B<x>	Bus select buttons, where <x> = 1 through 4.
CH<x>	Channel select button, where <x>=1 for channel 1, <x>=2 for channel 2, and so on
CURsor	<b>Cursors</b> button
D15D0	<b>D0–D15</b> button
DEFaultsetup	<b>Default Setup</b> button
FINe	<b>Fine</b> button
FORCetrig	<b>Force Trig</b> button
HARDcopy	Hardcopy button
INTensity	<b>Intensity</b> button
MAGnify	Magnify (zoom) button (not the zoom/pan knob)
MARK	Mark <b>Set/Clear</b> button
MATh	<b>M</b> button
MENUOff	<b>Menu Off</b> button
MEASurement	<b>Measure</b> button
NEXt	Next arrow button
PAUse	Play/pause button
PREv	Previous arrow button
REF	<b>R</b> button
RMENU<x>	Screen side menu buttons, where <x>=1 for the top-most side menu button and <x>=5 for the bottom-most side menu button
RUnstop	<b>Run/Stop</b> button
SAVEBUtton	<b>Save</b> button
SAVERecall	Save/Recall <b>Menu</b> button
SEArch	<b>Search</b> button
SElect	<b>Select</b> button
SETTO50	<b>Set to 50%</b> button

**Table 2-38: FPanel:PRESS arguments (cont.)**

Argument	Description
SINGLEseq	<b>Single</b> button
TEST	<b>Test</b> button
TRIGGER	Trigger <b>Menu</b> button
UTILITY	<b>Utility</b> button

**Examples**    FPanel:PRESS AUTOSET executes the oscilloscope Autoset function.

## FPanel:TURN (No Query Form)

Simulates the action of turning a specified front-panel control knob.

When the front panel is locked, the front-panel button and multipurpose knob operations are suspended. The **FPanel:PRESS** and **FPanel:TURN** commands will also not work, and, they will not generate an error. You can work around this by using the appropriate programmatic interface commands, instead of the front-panel commands. For example, to set the trigger level to 50%, you could use TRIGGER:A SETLevel. To force a trigger, you could use TRIGGER FORCE.

**Group**    Miscellaneous

**Syntax**    FPanel:TURN <knob>, <n>

**Arguments**    <knob> is the name of a rotating control.

A comma (,) separates the control knob argument from the numeric rotation value argument. You do not need a white space between the arguments and the comma.

<n> represents the rotation direction and magnitude of rotation. Negative values represent a counterclockwise knob rotation, and positive values represent a clockwise rotation. The magnitude of <n> specifies the amount of the turn, where <n> = 1 represents turning the knob one unit, <n> = 2 represents turning the knob two units, <n> = 4 represents turning the knob four units, and so on. The range of units depends on which front panel knob is specified.

**Table 2-39: FPanel:TURN arguments**

Argument	Description
GPKNOB1	<b>Multipurpose a</b> knob
GPKNOB2	<b>Multipurpose b</b> knob
HORZPos	Horizontal <b>Position</b> knob

**Table 2-39: FPAnel:TURN arguments (cont.)**

<b>Argument</b>	<b>Description</b>
HORZScale	Horizontal <b>Scale</b> knob
PANKNOB1	Outer pan knob
TRIGLevel	Trigger <b>Level</b> knob
VERTPOS<n>	Vertical <b>Position</b> knob
VERTSCALE<n>	Vertical <b>Scale</b> knob
ZOOM	Inner zoom knob

**Examples**    FPANEL:TURN TRIGLEVEL,10 duplicates turning the front-panel Trigger Level knob clockwise by 10 units.

## GPIBUsb:ADDRESS? (Query Only)

Returns the current GPIB address setting for a connected TEK-USB-488 adaptor module.

**Group**    Miscellaneous

**Syntax**    GPIBUsb:ADDRESS?

## GPIBUsb:ID? (Query Only)

Returns the identification string of the connected TEK-USB-488 adaptor module and firmware version. If a TEK-USB-488.2 module is not connected, the system returns “Not detected”.

**Group**    Miscellaneous

**Syntax**    GPIBUsb:ID?

## HARDCopy (No Query Form)

Sends a hard copy of the screen display to the currently active printer using the current palette and layout settings.

**Group**    Hard Copy

**Syntax** HARDCopy {START}  
HARDCopy?

**Related Commands** \*WAI, \*CLS

**Arguments** START sends a block of data representing the current screen image to the requested port. The data sent is in the image format specified by the [SAVE:IMAGe:FILEFormat](#) command and the compression level is controlled by the selected format (BMP and TIFF are uncompressed where as PNG is compressed). The [SAVE:IMAGe:INKSaver](#) determines whether the data sent is in InkSaver mode.

---

**NOTE.** *The Hardcopy command with no arguments is equivalent to pressing the “HardCopy” button on the front panel, when the data is sent to the printer. As there is no front panel equivalent of the HARDCOPY START, you can choose to save the images to a different location using the “SAVE” button.*

---

**Examples** HARDCOPY initiates a screen copy to the active printer.

## HARDCopy:ACTIVEprinter

Sets or returns the currently active printer. When a hard copy operation is performed, the output will be sent to this printer. One of two methods of specifying the printer can be used: specifying an index value obtained from looking at the list of attached printers or by specifying the printer name.

**Group** Hard Copy

**Syntax** HARDCopy:ACTIVEprinter {<NR1>|<name>}  
HARDCopy:ACTIVEprinter?

**Arguments** <NR1> is the index of the desired printer as returned from [HARDCopy:PRINTer:LIST?](#)  
<name> is the name of the printer as specified in the printer list. This name is case sensitive and must be entered exactly as shown in the list.

## HARDCopy:INKSaver

Changes hard copy output to print traces and graticule on a white background while retaining waveform color information (except for channel 1, which prints as



dark blue because yellow does not show up well and is difficult to see on a white background). This option can significantly reduce print time and quantities of ink required compared with WYSIWYG dark background images.

<b>Group</b>	Hard Copy
<b>Syntax</b>	HARDCopy:INKSaver?
<b>Arguments</b>	ON or <NR1> ≠ 0 sets the ink saver mode on. OFF or <NR1> = 0 sets the ink saver mode off.
<b>Examples</b>	HARDCOPY:INKSAVER ON will cause subsequent hard copy output to display the screen on a white background.

## HARDCopy:LAYOut

Sets or returns the page orientation for hard copy. If you set the layout to LANDscape, the printer will print hard copies in landscape mode where the long edge of the screen will print to the long edge of the sheet of paper. If you set the layout to PORTRait, the printer will print hard copies in portrait mode.

This command is not applicable for PictBridge hardcopies.

<b>Group</b>	Hard Copy
<b>Syntax</b>	HARDCopy:LAYOut {PORTRait LANDscape} HARDCopy:LAYOut?
<b>Arguments</b>	PORTRait orients the screen image vertically on the printed page. LANDscape orients the screen image horizontally on the printed page.
<b>Examples</b>	HARDCOPY:LAYOUT LANDSCAPE sets the hard copy page orientation to Landscape. HARDCOPY:LAYOUT? might return :HARDCOPY:LAYOUT PORTRAIT indicating that the hard copy page orientation is set to portrait.

## HARDCopy:PREVIEW (No Query Form)

Displays a preview of the current screen contents with the InkSaver palette applied.

**Group** Hard Copy

**Syntax** HARDCopy:PREVIEW {ON|OFF|<NR1>}

**Arguments** ON or <NR1> ≠ 0 turns preview mode on.  
OFF or <NR1> = 0 turns preview mode off.

## HARDCopy:PRINTEr:ADD (No Query Form)

Adds a network printer to the list of available printers. All three arguments must be present, but only one of server name or server IP address may be specified. An empty string can be used for blank arguments.

**Group** Hard Copy

**Syntax** HARDCopy:PRINTEr:ADD <name>,<server>,<address>

**Arguments** <name> is the name of the network printer queue.  
<server> is the host name of the print (LPR) server.  
<address> is the IP address of the print server.

## HARDCopy:PRINTEr:DELEte (No Query Form)

Removes a network printer from the list of available printers. The printer name is case sensitive.

**Group** Hard Copy

**Syntax** HARDCopy:PRINTEr:DELEte <name>

**Arguments** <name> is the name of the printer to be deleted.

## HARDCopy:PRINTer:LIST? (Query Only)

Returns a list of currently attached printers.

**Group** Hard Copy

**Syntax** HARDCopy:PRINTer:LIST?

## HARDCopy:PRINTer:REName (No Query Form)

Renames a network printer on the list of available printers, replacing the currently stored settings with the settings specified in this command. Four arguments must be present, but the arguments may be empty strings if the value for a field is to be deleted.

**Group** Hard Copy

**Syntax** HARDCopy:PRINTer:REName  
<name>, <new\_name>, <new\_server>, <new\_address>

**Arguments** <name> is the name of the printer to be deleted.  
<new\_name> is the new name for this printer.  
<new\_server> is the new print server for this printer.  
<new\_address> is the new IP address for the server.

## HEADer

Sets or returns the Response Header Enable State that causes the oscilloscope to either include or omit headers on query responses.

---

**NOTE.** *This command does not affect IEEE Std 488.2-1987 Common Commands (those starting with an asterisk); these commands never return headers. This command does affect the Response Header Enable State of both the USBTMC and VXI-11 interfaces. Refer to the Introduction for additional information.*

---

**Group** Miscellaneous

**Syntax**     `HEADer {OFF|ON|<NR1>}`  
`HEADer?`

**Related Commands**     [VERBose](#)

**Arguments**     `OFF` sets the Response Header Enable State to false. This causes the oscilloscope to omit headers on query responses, so that only the argument is returned.

`ON` sets the Response Header Enable State to true. This causes the oscilloscope to include headers on applicable query responses. You can then use the query response as a command.

`<NR1> = 0` sets the Response Header Enable State to false; any other value sets this state to true.

**Examples**     `HEADER OFF` specifies that the oscilloscope omits headers on query responses, so that only the argument is returned.

`HEADER?` might return `:HEADER 1` indicating that the oscilloscope is including headers on applicable query responses.

## HORizontal? (Query Only)

Returns all settings for the horizontal commands.

**Group**     Horizontal

**Syntax**     `HORizontal?`

**Examples**     `HORIZONTAL?` might return the following horizontal settings  
`:HORIZONTAL:DELAY:MODE 1;TIME 0.0000;:HORIZONTAL:MAIN:SCALE 20.0000E-9;SAMPLERATE 5.0000E+9;UNITS "s";UNITS:STRING "s";:HORIZONTAL:SAMPLERATE 5.0000E+9;RECORDLENGTH 1000000`

## HORizontal:DELAy:MODE

Sets or returns the horizontal delay mode.

**Group**     Horizontal

**Syntax**    `HORizontal:DElay:MODE {OFF|ON|<NR1>}`  
`HORizontal:DElay:MODE?`

**Related Commands**    [HORizontal:POSition](#)

**Arguments**    OFF sets the Horizontal Delay Mode to off. This causes the `HORizontal:POSition` command to operate like the HORIZONTAL POSITION knob on the front panel.

ON sets the Horizontal Delay Mode to on. This causes the `HORizontal:DElay:TIME` command to operate like the HORIZONTAL POSITION knob on the front panel.

<NR1> = 0 sets the Horizontal Delay Mode to off; any other value sets this mode to on.

**Examples**    `HORIZONTAL:DELAY:MODE OFF` sets the Horizontal Delay Mode to off, allowing the horizontal position command to operate like the HORIZONTAL POSITION knob on the front panel.

`HORIZONTAL:DELAY:MODE?` might return `HORIZONTAL:DELAY:MODE OFF` indicating that the Horizontal Delay Mode is off and that the horizontal position command operates like the HORIZONTAL POSITION knob on the front panel.

## HORizontal:DElay:TIME

Sets or returns the horizontal delay time (position) that is used when delay is on (the default mode).

**Group**    Horizontal

**Syntax**    `HORizontal:DElay:TIME <NR3>`  
`HORizontal:DElay:TIME?`

**Related Commands**    [HORizontal:POSition](#)

**Arguments**    NR3 is the delay in seconds.

**Examples**    `HORizontal:DElay:TIME 0.3` sets the delay of acquisition data so that the resulting waveform is centered 300 ms after the trigger occurs.

## **HORizontal:DIGital:RECOrdlength:MAGnivu? (Query Only)**

Returns the record length of the MagniVu digital acquisition.

**Group** Horizontal

**Syntax** HORizontal:DIGital:RECOrdlength:MAGnivu?

## **HORizontal:DIGital:RECOrdlength:MAIN? (Query Only)**

Returns the record length of the main digital acquisition.

**Group** Horizontal

**Syntax** HORizontal:DIGital:RECOrdlength:MAIN?

## **HORizontal:DIGital:SAMPLERate:MAGnivu? (Query Only)**

Returns the sample rate of the MagniVu digital acquisition.

**Group** Horizontal

**Syntax** HORizontal:DIGital:SAMPLERate:MAGnivu?

## **HORizontal:DIGital:SAMPLERate:MAIN? (Query Only)**

Returns the sample rate of the main digital acquisition.

**Group** Horizontal

**Syntax** HORizontal:DIGital:SAMPLERate:MAIN?

## **HORizontal:POSition**

Sets or returns the horizontal position, in percent, that is used when delay is off. If Horizontal Delay Mode is turned off, this command is equivalent to adjusting the HORIZONTAL POSITION knob on the front panel. When Horizontal Delay

Mode is on, this command stores a new horizontal position that is used when Horizontal Delay Mode is turned off.

**Group** Horizontal

**Syntax** HORIZONTAL:POSITION <NR3>  
HORIZONTAL:POSITION?

**Related Commands** HORIZONTAL:DELAY:TIME

**Arguments** <NR3> is the horizontal position expressed as the percentage of the waveform acquired before the trigger.

**Examples** HORIZONTAL:POSITION 50 sets the horizontal position to 50%.  
HORIZONTAL:POSITION? might return :HORIZONTAL:POSITION 100 indicating that the horizontal position is set to 100%.

## HORIZONTAL:PREVIEWstate? (Query Only)

Returns a boolean value to indicate whether the display system is in the preview state.

**Group** Horizontal

**Syntax** HORIZONTAL:PREVIEWstate?

**Returns** <NR1> = 1 if the display system is in the preview state.  
<NR1> = 0 if the display system is not in the preview state.

## HORIZONTAL:RECORDlength

Sets the horizontal record length. The query form of this command returns the current horizontal record length.

**Group** Horizontal

**Syntax**     `HORizontal:RECOrdlength <NR1>`  
`HORizontal:RECOrdlength?`

**Arguments**     `<NR1>` represents the supported values for horizontal record lengths, which are: 1000, 10000, 100000, 1000000, or 10000000.

**Examples**     `HORIZONTAL:RECORDLENGTH 10000` specifies that 10000 data points will be acquired for each record.

`HORIZONTAL:RECORDLENGTH?` might return `:HORIZONTAL:RECOrdlength 1000` indicating that the horizontal record length is equal to 1000 data points.

## **HORizontal:SAMPLERate**

Sets or returns the current horizontal sample rate.

**Group**     Horizontal

**Syntax**     `HORizontal:SAMPLERate <NR3>`  
`HORizontal:SAMPLERate?`

**Arguments**     `<NR3>` is the rate in samples per second.

## **HORizontal:SCALE**

Sets or returns the time base horizontal scale.

**Group**     Horizontal

**Syntax**     `HORizontal:SCALE <NR3>`  
`HORizontal:SCALE?`

**Arguments**     `<NR3>` specifies the range from 400 ps to 1000 s, depending on the record length.

**Examples**     `HORIZONTAL:SCALE 2E-6` sets the main scale to 2 $\mu$ s per division.

`HORIZONTAL:SCALE?` might return `:HORIZONTAL:MAIN:SCALE 2.0000E-06` indicating that the main scale is currently set to 2  $\mu$ s per division.



## ID? (Query Only)

Returns identifying information about the oscilloscope and related firmware.

**Group** Miscellaneous

**Syntax** ID?

**Related Commands** [\\*IDN?](#)

**Examples** ID? might return TEK/DPO4034,CF:91.1CT,FV:v1.0000. This indicates the oscilloscope model number, configured format, and firmware version number.

## \*IDN? (Query Only)

Returns the oscilloscope identification code.

**Group** Miscellaneous

**Syntax** \*IDN?

**Related Commands** [ID?](#)

**Examples** \*IDN? might return :TEKTRONIX,DPO4034,SN123456789,CF:91.1CT FV:v1.00000 indicating the oscilloscope model number, serial number, configured number, and firmware version number.

## LANGuage

Sets or returns the user interface display language. This command only affects the oscilloscope displayed language. Remote commands and their responses are always in English.

**Group** Miscellaneous

**Syntax** LANGuage  
{ENGLISH|FRENCH|GERMAN|ITALIAN|SPANISH|PORTUGUESE|JAPANESE|KOREAN|RUSSIAN|SIMPLIFIEDCHINESE|TRADITIONALCHINESE}

LANGUage?

**Examples** LANGUAGE? might return :LANGUAGE ENGLISH.

## LOCK

Enables or disables all front-panel buttons and knobs. There is no front panel equivalent.

When the front panel is locked, neither the [FPAnel:PRESS](#) nor the [FPAnel:TURN](#) commands will work. They will not generate an error event either. You can work around this by using the appropriate programmatic interface commands, instead of the front-panel commands. For example, to set the trigger level to 50%, you could use [TRIGger:A SETLevel](#). To force a trigger, you could use [TRIGger FORCe](#).

**Group** Miscellaneous

**Syntax** LOCK {ALL|NONE}  
LOCK?

**Related Commands** [UNLock](#)

**Arguments** ALL disables all front-panel controls.  
NONE enables all front-panel controls. This is equivalent to the [UNLock ALL](#) command.

**Examples** LOCK ALL locks the front-panel controls.  
LOCK? might return :LOCK NONE indicating that the front-panel controls are enabled by this command.

## \*LRN? (Query Only)

Returns the commands that list the oscilloscope settings except for configuration information for the calibration values, the [WFMInpre?](#) query, and the [WFMOutpre?](#) query. This query allows you to record or "learn" the current oscilloscope settings. You can use these commands to return the oscilloscope to the state it was in when you made the \*LRN? query. This command is identical to the [SET?](#) Command.

**Group** Miscellaneous

**Syntax** \*LRN?

**Related Commands** SET?

**Examples** \*LRN? might return a long response, part of which could be as follows:

```
:ACQUIRE:STOPAFTER RUNSTOP;STATE 1;MODE SAMPLE;NUMENV
INFINITE;NUMAVG 16;SAMPLINGMODE RT;;HEADER 1;;LOCK
NONE;;LANGUAGE ENGLISH;;VERBOSE 1;;ALIAS:STATE
0;;DISPLAY:COLOR:PALETTE NORMAL;;DISPLAY:STYLE:DOTSONLY
0;;DISPLAY:PERSISTENCE 0.0000;CLOCK 1;GRATICULE
FULL;INTENSITY:WAVEFORM 30;GRATICULE 75;BACKLIGHT
HIGH;;HARDCOPY :INKSAVER OFF;LAYOUT LANDSCAPE;PREVIEW
0;;SAVE:IMAGE:FILEFORMAT BMP;;SAVE:WAVEFORM:FILEFORMAT
INTERNAL;;SAVE:ASSIGN:TYPE SETUP;;TRIGGER:A:MODE
AUTO;TYPE EDGE;LE VEL 20.0000E-3;LEVEL:CH1
20.0000E-3;CH2 0.0000;CH3 0.0000;CH4 0.0000;;TRIGGER:A:
UPPERTHRESHOLD:CH1 1.4000;CH2 800.0000E-3;CH3
800.0000E-3;CH4 800.0000E-3;;TRIGGER:A:LOWERTHRESHOLD:CH1
20.0000E-3;CH2 0.0000;CH3 0.0000;CH4 0.0000;;TRIGGER:A:H
OLDOFF:TIME 20.0000E-9;;TRIGGER:A:EDGE:SOURCE
CH1;COUPLING DC;SLOPE RISE;;TRIGGER:A:LOGIC:CLASS
SETHOLD;FUNCTION AND;THRESHOLD:CH1 20.0000E-3;CH2
0.0000;CH3 0.0000;CH4 0.0000;;TRIGGER:A:LOGIC:INPUT:CH1
X;CH2 X;CH3 X;CH4 X;CLOCK:SOURCE NONE; EDGE
RISE;;TRIGGER:A:LOGIC:PATTERN:INPUT:CH1 X;CH2
X;CH3 X;CH4 X;;TRIGGER:A:LOGIC:PATTERN:WHEN
TRUE;WHEN:LESSLIMIT 4.0000E-9;LIMIT
4.0000E-9;;TRIGGER:A:SETHOLD:CLOCK:SOURCE CH1;EDGE
RISE;THRESHOLD 20.0000E-3;;TRIGGER:A:SETHOLD:DATA:SOURCE
CH2;THRESHOLD 0.0000;;TRIGGER:A:SETHOLD:HOLDTIME
4.0000E-9;SETTIME 4.0000E-9; :TRIGGER:A:PULSE:CLASS
TRANSITION;;TRIGGER:A:PULSEWIDTH:SOURCE
CH1;POLARITY POSITIVE;WHEN LESSTHAN;WIDTH
4.0000E-9;;TRIGGER:A:RUNT:SOURCE CH1;POLARITY POSITIVE; WHEN
OCCURS;WIDTH 4.0000E-9;;TRIGGER:A:TRANSITION:SOURCE CH1
...
```

## MARK

Moves to the next or previous reference mark on the waveform. Returns the current mark position.

**Group** Mark

**Syntax** MARK {NEXT|PREVIOUS}  
MARK?

**Arguments** NEXT moves to the next reference mark on the right.  
PREVIOUS moves to the next reference mark on the left.

## MARK:CREATE (No Query Form)

Creates a mark on a specified waveform or all waveforms in a column.

**Group** Mark

**Syntax** MARK:CREATE {CH<x>|MATH|B<x>|REF<x>|DIGITAL|COLUMN}

**Arguments** CH<x> creates the mark on a channel waveform, where <x> is the channel number.  
MATH creates the mark on the math waveform.  
B<x> creates the mark on a bus waveform, where <x> is the bus number.  
REF<x> creates the mark on a reference waveform, where <x> is the reference waveform number.  
DIGITAL creates the mark on a digital waveform. (An error will result if no digital channel is turned on.)  
COLUMN creates marks on all waveforms in the current zoom pixel column.

## MARK:DELETE (No Query Form)

Deletes a mark on a particular waveform, all waveforms in a column, the selected mark, or all marks.

**Group** Mark

**Syntax** MARK:DELETE {CH<x>|MATH|B<x>|REF<x>|DIGITAL|COLUMN}

**Arguments** CH<x> deletes the mark on a channel waveform, where <x> is the channel number.  
MATH deletes the mark on the math waveform.  
B<x> deletes the mark on a bus waveform, where <x> is the bus number.

REF<x> deletes the mark on a reference waveform, where <x> is the reference waveform number.

DIGital deletes all marks on all digital channels.

COLUMN deletes marks on all waveforms in the current zoom pixel column.

## MARK:FREE? (Query Only)

Returns how many marks are available for use.

**Group** Mark

**Syntax** MARK:FREE?

## MARK:SELEcted:END? (Query Only)

Returns the end of the selected mark, 0 to 100% of the waveform.

**Group** Mark

**Syntax** MARK:SELEcted:END?

## MARK:SELEcted:FOCUS? (Query Only)

Returns the focus of the selected mark, 0 to 100% of the waveform.

**Group** Mark

**Syntax** MARK:SELEcted:FOCUS?

## MARK:SELEcted:MARKSINCOLumn? (Query Only)

Returns the number of marks in the current zoom pixel column.

**Group** Mark

**Syntax** MARK:SELEcted:MARKSINCOLumn?

## MARK:SElected:OWNer? (Query Only)

Returns the owner of the selected mark.

**Group** Mark

**Syntax** MARK:SElected:OWNer?

**Returns** <QString> is the owner of the mark.

**Examples** MARK:SELECTED:OWNER? might return: USER, SEARCH1

## MARK:SElected:SOURCE? (Query Only)

Returns the source waveform for the selected mark.

**Group** Mark

**Syntax** MARK:SElected:SOURCE?

## MARK:SElected:STARt? (Query Only)

Returns the starting point of the selected mark, 0 to 100% of the waveform.

**Group** Mark

**Syntax** MARK:SElected:STARt?

## MARK:SElected:STATe? (Query Only)

Returns the on or off state of the selected mark. The selected mark is at or near the center of the screen. If you press the front-panel Set/Clear button, this mark will disappear.

**Group** Mark

**Syntax** MARK:SElected:STATe?

## MARK:SELEcted:ZOOm:POSItion? (Query Only)

Returns the position of the selected mark, 0 to 100% of the zoom overview window.

**Group** Mark

**Syntax** MARK:SELEcted:ZOOm:POSItion?

## MARK:TOTal? (Query Only)

Returns how many marks are currently in use.

**Group** Mark

**Syntax** MARK:TOTal?

## {MATH|MATH1}:LABel

Sets or queries the waveform label for the math waveform.

**Group** Math

**Syntax** {MATH|MATH1}:LABel <QString>  
{MATH|MATH1}:LABel?

**Arguments** <QString> is the quoted string used as the label for the math waveform.

**Examples** MATH:LABEL "Output" sets the label for the math waveform to Output.  
MATH:LABEL? might return MATH:LABEL "Sum of channel 1 and channel 2" indicating the current label for the math waveform.

## MATH[1]? (Query Only)

Returns the definition of the math waveform. The returned data depends on the setting of the [MATH\[1\]:TYPe](#) command.

<b>Group</b>	Math
<b>Syntax</b>	MATH[1]?
<b>Related Commands</b>	<a href="#">MATH[1]:TYPE</a>
<b>Examples</b>	MATH? or MATH1? might return :MATH:TYPE DUAL;DEFINE "CH1+CH2";VERTICAL:SCALE 100.0000E-3;POSITION 0.0000;UNITS "V";:MATH:HORIZONTAL:SCALE 4.0000E-6;POSITION 50.0000;UNITS "S";:MATH:SPECTRAL:MAG DB;WINDOW HANNING

## MATH[1]:DEFine

Sets or returns the current math function as a text string.

Dual math is defined if the string is of the form `<wfm> <operation> <wfm>`, where the `<wfm>`s are any combination of live channels or reference waveforms, `<operation>` is any of +, -, \* or /, and the [MATH\[1\]:TYPE](#) is DUAL.

FFT math is defined if the string is in the form `FFT(<wfm>)`, where `<wfm>` is any live channel or reference waveform, and the [MATH\[1\]:TYPE](#) is FFT.

Advanced math is defined if the contents of the string can be parsed by the advanced math parser without errors and the [MATH\[1\]:TYPE](#) is ADVanced.

On the front panel, the Dual Wfm Math, FFT and Advanced Math menus contain controls that allow building equivalent math expressions to those described above.

<b>Group</b>	Math
<b>Syntax</b>	MATH[1]:DEFine <QString> MATH[1]:DEFine?
<b>Related Commands</b>	<a href="#">MATHVAR:VAR&lt;x&gt;</a> , <a href="#">MATH[1]:TYPE</a>
<b>Arguments</b>	<QString> quoted string argument is the mathematical expression that defines the waveform.

**Table 2-40: Advanced Math expression elements**

Expression	Description
CH1-CH4, REF1-REF4	Specifies a waveform data source.



**Table 2-40: Advanced Math expression elements (cont.)**

Expression	Description
FFT( , INTG( , DIFF(	Executes a Fast Fourier Transform, integration, or differentiation operation on the expression that follows. The FFT operator must be the first (left-most) operator in an expression. All these operations must end with a right parenthesis.
AMplitude( , AREa( , BURst( , CARea( , CMEan( , CRMs( , DELay( , FALL( , FREQuency( , HIGH( , LOW( , MAXimum( , MEAN( , MINImum( , NDUTy( , NOVershoot( , NWIdth( , PDUTy( , PERIod( , PHAse( , PK2pk( , POVershoot( , PWIdth( , RISE( , RMS( , !	Executes the selected measurement operation on the waveform (active or reference) that follows. All these operations must end with a right parenthesis.
LOG( , EXP( , SQRT( , SINE( , COSINE( , TANGENT(	Executes trigonometric and other functions. All these operations must end with a right parenthesis.
VAR1, VAR2	Adds the user-defined variable to the expression. Refer to the MATHVAR<x> command.
+ , - , * , /	Executes an addition, subtraction, multiplication, or division operation on the following expression. + and - are also unary; use - to negate the expression that follows.
< , > , <= , >= , == , != ,    , &&	Executes relational and logical operations.
( ) , ,	Parentheses provide a way to control evaluation order in an expression. The comma is used to separate the "from" and "to" waveforms in Delay and Phase measurement operations.
1-0 , . , E	Specifies a numeric value in (optional) scientific notation.

**Examples**

MATH1:DEFINE " CH1+CH2" adds the Ch 1 waveform and Ch 2 waveform, storing the results in Math 1.

MATH:DEFINE? might return :MATH1:DEFINE "CH2\*REF2" as the expression that defines Math 1.

**MATH[1]:HORizontal:POSition**

Sets or returns the math horizontal display position for FFT or (non-live) math reference waveforms.

<b>Group</b>	Math
<b>Syntax</b>	MATH[1]:HORizontal:POSITION <NR3> MATH[1]:HORizontal:POSITION?
<b>Arguments</b>	<NR3> is the % of the math waveform that precedes center screen. It can vary from 0.0 to 100.0.
<b>Examples</b>	MATH:HORIZONTAL:POSITION 10 sets the horizontal position to 10% pretrigger

## MATH[1]:HORizontal:SCALE

Sets or returns the math horizontal display scale for FFT or for dual math waveforms that have source waveforms that are reference waveforms. The horizontal scale of a dual math waveform with a channel source waveform is set through the HORizontal:SCALE command.

<b>Group</b>	Math
<b>Syntax</b>	MATH[1]:HORizontal:SCALE <NR3> MATH[1]:HORizontal:SCALE?
<b>Arguments</b>	<NR3> is the math horizontal scale in seconds.
<b>Examples</b>	MATH:HORIZONTAL:SCALE? might return MATH:HORIZONTAL:SCALE 2.0E-4 indicating that the math horizontal scale is 200 $\mu$

## MATH[1]:HORizontal:UNIts

Returns the math waveform horizontal measurement unit value.

<b>Group</b>	Math
<b>Syntax</b>	MATH[1]:HORizontal:UNIts?

**Examples** MATH:HORIZONTAL:UNITS? might return MATH:HORIZONTAL:UNITS "?" indicating that the math horizontal unit label for unknown values is the default question mark unit.

## MATH[1]:SPECTral:MAG

Sets or returns the units of the Spectral Magnification function in the math string.

**Group** Math

**Syntax** MATH[1]:SPECTral:MAG {LINEAR|DB}  
MATH[1]:SPECTral:MAG?

**Arguments** LINEAR sets the SpectralMag units to linear.  
DB sets the SpectralMag units to decibels.

**Examples** MATH1:SPECTRAL:MAG DB sets the SpectralMag units for Math1 to decibels.  
MATH1:SPECTRAL:MAG? might return :MATH1:SPECTRAL:MAG DB indicating that the SpectralMag units for Math1 are set to decibels.

## MATH[1]:SPECTral:WINDow

Sets or returns the window function for the spectral analyzer input data for the specified math waveform. A spectral window determines what the filter shape of the spectral analyzer will be in the frequency domain. It can be described by a mathematical function that is multiplied point-by-point times the input data to the spectral analyzer.

**Group** Math

**Syntax** MATH[1]:SPECTral:WINDow  
{RECTangular|HAMming|HANning|BLACKmanharris}  
MATH[1]:SPECTral:WINDow?

**Arguments** RECTangular window function is equivalent to multiplying all gate data by one.  
HAMming window function is based on a cosine series.  
HANning window function is based on a cosine series.

BLACKMANHARRIS window function is based on a cosine series.

**Examples** MATH1:SPECTRAL:WINDOW HANNING applies a Hanning window to the spectral analyzer input data.

MATH1:SPECTRAL:WINDOW? might return :MATH1:SPECTRAL:WINDOW HAMMING indicating that the window function used to multiply the spectral analyzer input data is the Hamming window.

## MATH[1]:TYPE

Sets or returns the math waveform mode type.

**Group** Math

**Syntax** MATH[1]:TYPE {ADVANCED|DUAL|FFT}  
MATH[1]:TYPE?

**Arguments** ADVANCED sets the math waveform mode to advanced math.  
DUAL sets the math waveform mode to dual waveform math.  
FFT sets the math waveform mode to FFT math.

**Examples** MATH:TYPE FFT sets the math waveform mode to FFT.  
MATH:TYPE FFT;:MATH:DEFINE "FFT( CH1 )" sets the math type to FFT and displays an FFT waveform of the channel 1 waveform, using the current FFT scale and window settings.  
MATH:TYPE ADVANCED;:MATH:DEFINE "INTG(REF1\*CH3)+DELAY(CH1,CH2)" sets the math type to FFT and displays an advanced math waveform that is the integration of the product of REF1 and CH3 plus the result of the delay measurement between channel 1 and 2.

## MATH[1]:VERTICAL:POSITION

Sets or returns the vertical position of the currently selected math type.

**Group** Math

**Syntax** MATH[1]:VERTical:POSITION <NR3>  
MATH[1]:VERTical:POSITION?

**Related Commands** CH<x>:POSITION, REF<x>:VERTical:POSITION

**Arguments** <NR3> is the desired position in divisions from the center graticule.

**Examples** MATH1:VERTICAL:POSITION 1.3E+00 positions the Math 1 input signal 1.3 divisions higher than a position of 0.  
MATH1:VERTICAL:POSITION? might return :MATH1:VERTICAL:POSITION -1.3000E+00 indicating that the current position of Math 1 is 1.3 divisions below the center graticule.

## MATH[1]:VERTical:SCALE

Sets or returns the vertical scale of the currently selected math type.

**Group** Math

**Syntax** MATH[1]:VERTical:SCALE <NR3>  
MATH[1]:VERTical:SCALE?

**Related Commands** CH<x>:SCALE, REF<x>:VERTical:SCALE

**Arguments** <NR3> is the scale-per-division in the current math vertical units. The range is from 1.0E-12 through 500.0E+12.

**Examples** MATH1:VERTICAL:SCALE 100E-03 sets the Math scale to 100 mV per division.  
MATH:VERTICAL:SCALE? might return :MATH:VERTICAL:SCALE 1.0000E+00 indicating that the current scale setting of Math is 1 V per division.

## MATH[1]:VERTical:UNIts

Returns the math waveform vertical measurement unit value.

**Group** Math

**Syntax** MATH[1]:VERTICAL:UNITS?

**Examples** MATH:VERTICAL:UNITS? might return MATH:VERTICAL:UNITS "joules" indicating that the math vertical unit label for unknown values is joules.

## MATHVAR? (Query Only)

Queries both numerical values you can use within math expressions.

**Group** Math

**Syntax** MATHVAR?

**Related Commands** [MATHVAR:VAR<x>](#), [MATH\[1\]:DEFine](#)

**Returns** <NR3> are the stored numerical values.

**Examples** MATHVAR? returns the values of all variables stored in locations 1 through 2.

## MATHVAR:VAR<x>

Sets or returns one of two different numerical values you can use within math expressions. These values can range from -10.0e-18 to 1.0e+15; the default values are 0.0. <x> specifies the location, 1 or 2, in which you can store values. Stored math variables can be referenced within math expressions as VAR1 and VAR2.

For example, the following command defines MATH1 as the product of Channel 1 and math variable 1: MATH1:DEFINE "CH1 \* VAR1".

**Group** Math

**Syntax** MATHVAR:VAR<x> <NR3>  
MATHVAR:VAR<x>?

**Related Commands** [MATHVAR:VAR<x>](#), [MATH\[1\]:DEFine](#)

**Arguments** <NR3> specifies the numerical value to be stored in location x <1 through 2>.

**Examples** MATHVAR:VAR2 -2.43E-5 stores the value -2.43e-5 in the second math variable location.

MATHVAR:VAR2? might return :MATHVAR:VAR2 24.3000E-6 for the expression stored in location 2.

## MEASUREMENT? (Query Only)

Returns all measurement parameters.

**Group** Measurement

**Syntax** MEASUREMENT?

**Examples** MEASUREMENT? might return :MEASUREMENT:IMMED:DELAY:DIRECTION FORWARDS;EDGE1 RISE;EDGE2 RISE;;MEASUREMENT:IMMED:TYPE PERIOD;UNITS "s";SOURCE1 CH1;SOURCE2 CH2;;MEASUREMENT:MEAS1:DELAY:DIRECTION FORWARDS;EDGE1 RISE;EDGE2 RISE;;MEASUREMENT:MEAS1:STATE 1;TYPE FREQUENCY;UNITS "Hz";SOURCE1 CH1;SOURCE2 CH2;COUNT 0;MAXIMUM 0.0000;MEAN 0.0000;MINIMUM 0.0000;STDDEV 0.0000;;MEASUREMENT:MEAS2:DELAY:DIRECTION FORWARDS;EDGE1 RISE;EDGE2 RISE;;MEASUREMENT:MEAS2:STATE 1;TYPE PERIOD;UNITS "s";SOURCE1 CH1;SOURCE2 CH2;COUNT 0;MAXIMUM 0.0000;MEAN 0.0000;MINIMUM 0.0000;STDDEV 0.0000;;MEASUREMENT:MEAS3:DELAY:DIRECTION FORWARDS;EDGE1 RISE;EDGE2 RISE;;MEASUREMENT:MEAS3:STATE 1;TYPE PK2PK;UNITS "V";SOURCE1 CH1;SOURCE2 CH2;COUNT 0;MAXIMUM 0.0000;MEAN 0.0000;MINIMUM 0.0000;STDDEV 0.0000;;MEASUREMENT:MEAS4:DELAY:DIRECTION FORWARDS;EDGE1 RISE;EDGE2 RISE;;MEASUREMENT:MEAS4:STATE 0;TYPE PERIOD;UNITS "s";SOURCE1 CH1;SOURCE2 CH2;COUNT 0;MAXIMUM 0.0000;MEAN 0.0000;MINIMUM 0.0000;STDDEV 0.0000;;MEASUREMENT:METHOD AUTO;REFLEVEL:METHOD PERCENT;ABSOLUTE:HIGH 0.0000;LOW 0.0000;MID1 0.0000;MID2 0.0000;;MEASUREMENT:REFLEVEL:PERCENT:HIGH 90.0000;LOW 10.0000;MID1 50.0000;MID2 50.0000;;MEASUREMENT:INDICATORS:STATE OFF;NUMHORZ 0;NUMVERT 0;HORZ1 99.0000E+36;HORZ2 99.0000E+36;HORZ3 99.0000E+36;HORZ4 99.0000E+36;VERT1 99.0000E+36;VERT2 99.0000E+36;VERT3 99.0000E+36;VERT4 99.0000E+36;;MEASUREMENT:STATISTICS:MODE OFF;WEIGHTING 32;;MEASUREMENT:GATING SCREEN.

## MEASUREMENT:CLEARSnapshot (No Query Form)

Removes the measurement snapshot display.

**Group** Measurement

**Syntax** MEASUREMENT:CLEARSnapshot

**Related Commands** [CLEARMenu](#)

## MEASUREMENT:GATING

Specifies or returns the measurement gating setting.

**Group** Measurement

**Syntax** MEASUREMENT:GATING {OFF|SCREEN|CURSOR}  
MEASUREMENT:GATING?

**Arguments** OFF turns off measurement gating (full record).  
SCREEN turns on gating, using the left and right edges of the screen.  
CURSOR limits measurements to the portion of the waveform between the vertical bar cursors, even if they are off screen.

**Examples** MEASUREMENT:GATING CURSOR turns on measurement gating using the cursors as limits.  
MEASUREMENT:GATING? might return :MEASUREMENT:GATING CURSOR indicating that measurements are limited to the portion of the waveform between the vertical bar cursors.

## MEASUREMENT:IMMed? (Query Only)

Returns all immediate measurement setup parameters.

**Group** Measurement

**Syntax** MEASUREMENT:IMMed?



**Examples** MEASUREMENT:IMMED? might return  
:MEASUREMENT:IMMED:DELAY:DIRECTION FORWARDS;EDGE1 RISE;EDGE2  
RISE;:MEASUREMENT:IMMED:TYPE PERIOD;UNITS "s";SOURCE1  
CH1;SOURCE2 CH2

## MEASUREMENT:IMMED:DELAY? (Query Only)

Returns information about the immediate delay measurement. This command is equivalent to viewing the delay measurement settings on the measurement readout.

**Group** Measurement

**Syntax** MEASUREMENT:IMMED:DELAY?

**Examples** MEASUREMENT:IMMED:DELAY? might return  
:MEASUREMENT:IMMED:DELAY:DIRECTION FORWARDS; EDGE1  
RISE;EDGE2 RISE

## MEASUREMENT:IMMED:DELAY:DIRection

Sets or returns the starting point and direction that determines the delay "to" edge when taking an immediate delay measurement.

---

**NOTE.** Use the [MEASUREMENT:IMMED:SOURCE2](#) command to specify the delay "to" waveform.

---

**Group** Measurement

**Syntax** MEASUREMENT:IMMED:DELAY:DIRection {BACKWARDS|FORWARDS}  
MEASUREMENT:IMMED:DELAY:DIRection?

**Related Commands** [MEASUREMENT:IMMED:SOURCE2](#)

**Arguments** BACKWARDS starts the search at the end of the waveform and looks for the last rising or falling edge in the waveform.

FORWARDS starts the search at the beginning of the waveform and looks for the first rising or falling edge in the waveform.

**Examples**    `MEASUREMENT:IMMED:DELAY:DIRECTION FORWARDS` starts searching from the beginning of the waveform record and looks for the first rising or falling edge.

`MEASUREMENT:IMMED:DELAY:DIRECTION?` might return  
`:MEASUREMENT:IMMED:DELAY:DIRECTION BACKWARDS` indicating that searching begins at the end of the waveform record and looks for the last rising or falling edge.

## MEASUREMENT:IMMED:DELAY:EDGE<x>

Sets or returns the slope of the edge the oscilloscope uses for the delay "from" or "to" waveform when taking an immediate delay measurement.

**Group**    Measurement

**Syntax**    `MEASUREMENT:IMMED:DELAY:EDGE<x> {FALL|RISE}`  
`MEASUREMENT:IMMED:DELAY:EDGE<x>?`

**Related Commands**    [MEASUREMENT:IMMED:SOURCE](#)  
[MEASUREMENT:IMMED:SOURCE2](#)

**Arguments**    <x> specifies which waveform to use, where <x> = 1 is the "from" waveform, and <x> = 2 is the "to" waveform.

FALL specifies the falling edge.

RISE specifies the rising edge.

**Examples**    `MEASUREMENT:IMMED:DELAY:EDGE1 RISE` specifies that the "from" waveform rising edge be used for the immediate delay measurement.

`MEASUREMENT:IMMED:DELAY:EDGE1?` returns either RISE or FALL.

## MEASUREMENT:IMMED:SOURCE[1]

Sets or returns the source for all single source immediate measurements and specifies the source to measure "from" when taking an immediate delay measurement or phase measurement.

---

**NOTE.** *If you do not specify a numerical suffix, the source is assumed to be SOURCE 1.*

---

**Group** Measurement

**Syntax** MEASUREMENT:IMMED:SOURCE[1] {CH<x>|MATH<y>|REF<x>|D<x>}  
MEASUREMENT:IMMED:SOURCE?

**Related Commands** [MEASUREMENT:IMMED:SOURCE2](#)

**Arguments** CH<x> is an input channel waveform. The x variable can be expressed as an integer, where x is the channel number.

MATH<y> is a math waveform. The y variable can be expressed as an integer of 1.

REF<x> is a reference waveform. The x variable can be expressed as an integer, where x is the reference channel number.

D<x> is a digital waveform. The x variable can be expressed as an integer, where x is the digital channel number. Digital channels are available only on MSO models.

**Examples** MEASUREMENT:IMMED:SOURCE 1 MATH1  
specifies Math1 as the immediate measurement source.

MEASUREMENT:IMMED:SOURCE? might return  
:MEASUREMENT:IMMED:SOURCE1 CH3 indicating that channel 3 is the immediate measurement source.

## MEASUREMENT:IMMED:SOURCE2

Sets or returns the source to measure "to" for phase or delay immediate measurements.

Tip: Source2 measurements only apply to phase and delay measurement types, which require both a target (Source1) and reference (Source2) source.

**Group** Measurement

**Syntax** MEASUREMENT:IMMED:SOURCE2 {CH<x>|MATH<y>|REF<x>|D<x>}  
MEASUREMENT:IMMED:SOURCE2?

**Related Commands** [MEASUREMENT:IMMED:SOURCE](#)

**Arguments** CH<x> is an input channel waveform, where x is the channel number.

MATH<y> is a math waveform. The y variable can be expressed as an integer of 1.

REF<x> is a reference waveform, where x is the reference channel number.

D<x> is a digital waveform. The x variable can be expressed as an integer, where x is the digital channel number. Digital channels are available only on MSO models.

**Examples** MEASUREMENT:IMMED:SOURCE2 REF3 sets the waveform in reference memory location 3 as the delay "to" source when making delay measurements.

MEASUREMENT:IMMED:SOURCE2? might return  
:MEASUREMENT:IMMED:SOURCE2 MATH1 indicating that Math1 is the immediate measurement source.

## MEASUREMENT:IMMED:SOURCE<x>

For SOURCE1: Sets or returns the source for all single channel measurements. For delay or phase measurements, sets or returns the waveform to measure "from".

For SOURCE2: Sets or returns the waveform to measure "to" when taking a delay measurement or phase measurement.

**Group** Measurement

**Syntax** MEASUREMENT:IMMED:SOURCE<x> {CH1|CH2|CH3|CH4|MATH|D<x>}  
MEASUREMENT:IMMED:SOURCE<x>?

**Arguments** CH1–CH4 or MATH is the source waveform.

D<x> is a digital waveform. The x variable can be expressed as an integer, where x is the digital channel number. Digital channels are available only on MSO models.

## MEASUREMENT:IMMED:TYPE

Sets or returns the immediate measurement type.

Digital channel measurements do not have a user-settable midRef threshold. If you specify a digital channel measurement that is not available on MSO models, measurement error 2200: measurement system error occurs and 9.9e37 is returned.

**Group** Measurement

**Syntax** MEASUREMENT:IMMED:TYPE  
 {AMPLITUDE|AREA|BURST|CAREA|CMEAN|CRMS|DELAY|FALL|FREQUENCY  
 |HIGH|LOW|MAXIMUM|MEAN|MINIMUM|NDUTY|NEDGECOUNT|NOVERSHOOT  
 |NPULSECOUNT|NWIDTH|PEDGECOUNT|PDUTY  
 |PERIOD|PHASE|PK2PK|POVERSHOOT|PPULSECOUNT|PWIDTH|RISE|RMS}  
 MEASUREMENT:IMMED:TYPE?

**Arguments** **AMPLITUDE** measures the amplitude of the selected waveform. In other words, it measures the high value less the low value measured over the entire waveform or gated region. This measurement is applicable only to the analog channels.

$$\textit{Amplitude} = \textit{High} - \textit{Low}$$

**AREA** measures the voltage over time. The area is over the entire waveform or gated region and is measured in volt-seconds. The area measured above the ground is positive, while the area below ground is negative. This measurement is applicable only to the analog channels.

**BURST** measures the duration of a burst. The measurement is made over the entire waveform or gated region.

**CAREA** (cycle area) measures the voltage over time. In other words, it measures, in volt-seconds, the area over the first cycle in the waveform or the first cycle in the gated region. The area measured above the common reference point is positive, while the area below the common reference point is negative. This measurement is applicable only to the analog channels.

**CMEAN** (cycle mean) measures the arithmetic mean over the first cycle in the waveform or the first cycle in the gated region. This measurement is applicable only to the analog channels.

**CRMS** (cycle rms) measures the true Root Mean Square voltage over the first cycle in the waveform or the first cycle in the gated region. This measurement is applicable only to the analog channels.

**DELAY** measures the time between the middle reference (default = 50%) amplitude point of the source waveform and the destination waveform.

**FALL** measures the time taken for the falling edge of the first pulse in the waveform or gated region to fall from a high reference value (default is 90%) to a low reference value (default is 10%). This measurement is applicable only to the analog channels.

**FREQUENCY** measures the first cycle in the waveform or gated region. Frequency is the reciprocal of the period and is measured in hertz (Hz), where 1 Hz = 1 cycle per second.

**HIGH** measures the High reference (100% level, sometimes called Topline) of a waveform. This measurement is applicable only to the analog channels.

**LOW** measures the Low reference (0% level, sometimes called Baseline) of a waveform. This measurement is applicable only to the analog channels.

**MAXimum** finds the maximum amplitude. This value is the most positive peak voltage found. It is measured over the entire waveform or gated region. This measurement is applicable only to the analog channels.

**MEAN** amplitude measurement finds the arithmetic mean over the entire waveform or gated region. This measurement is applicable only to the analog channels.

**MINimum** finds the minimum amplitude. This value is typically the most negative peak voltage. It is measured over the entire waveform or gated region. This measurement is applicable only to the analog channels.

**NDuty** (negative duty cycle) is the ratio of the negative pulse width to the signal period, expressed as a percentage. The duty cycle is measured on the first cycle in the waveform or gated region.

$$\text{Negative Duty Cycle} = ((\text{Negative Width}) / \text{Period}) \times 100\%$$

**NEDGECount** is the count of falling edges.

**NOvershoot** (negative overshoot) finds the negative overshoot value over the entire waveform or gated region. This measurement is applicable only to the analog channels.

$$\text{Negative Overshoot} = ((\text{Low} - \text{Minimum}) / \text{Amplitude}) \times 100\%$$

**NPULSECount** is the count of negative pulses.

**NWIdth** (negative width) measurement is the distance (time) between the middle reference (default = 50%) amplitude points of a negative pulse. The measurement is made on the first pulse in the waveform or gated region.

**PDuty** (positive duty cycle) is the ratio of the positive pulse width to the signal period, expressed as a percentage. It is measured on the first cycle in the waveform or gated region.

$$\text{Positive Duty Cycle} = ((\text{Positive Width}) / \text{Period}) \times 100\%$$

**PEDGECount** is the count of rising edges.

**PERIOD** is the time required to complete the first cycle in a waveform or gated region. Period is the reciprocal of frequency and is measured in seconds.

**PHASE** measures the phase difference (amount of time a waveform leads or lags the reference waveform) between two waveforms. The measurement is made between the middle reference points of the two waveforms and is expressed in degrees, where 360° represents one waveform cycle.

**PK2Pk** (peak-to-peak) finds the absolute difference between the maximum and minimum amplitude in the entire waveform or gated region. This measurement is applicable only to the analog channels.

**POvershoot** is the positive overshoot value over the entire waveform or gated region. This measurement is applicable only to the analog channels.

$$\text{Positive Overshoot} = ((\text{Maximum} - \text{High}) / \text{Amplitude}) \times 100\%$$

**PPULSECount** is the count of positive pulses.

**PWIdth** (positive width) is the distance (time) between the middle reference (default = 50%) amplitude points of a positive pulse. The measurement is made on the first pulse in the waveform or gated region.

**RISe** timing measurement finds the rise time of the waveform. The rise time is the time it takes for the leading edge of the first pulse encountered to rise from a low reference value (default is 10%) to a high reference value (default is 90%). This measurement is applicable only to the analog channels.

**RMS** amplitude measurement finds the true Root Mean Square voltage in the entire waveform or gated region. This measurement is applicable only to the analog channels.

**Examples** `MEASUREMENT:IMMED:TYPE FREQUENCY` defines the immediate measurement to be a frequency measurement.

`MEASUREMENT:IMMED:TYPE?` might return `:MEASUREMENT:IMMED:TYPE RMS` indicating that the immediate measurement is the true Root Mean Square voltage.

## MEASUREMENT:IMMED:UNITS? (Query Only)

Returns the units of the immediate measurement:

VOLTS, VOLTS SQUARED, SEC, HERTZ, PERCENT, DIVS, SAMPLES, OHMS, AMPS, WATTS, MINUTES, DEGREES, UNKNOWN, AMPS SQUARED, HOURS, DAYS, DB, BYTES, INVERSE HERTZ, IRE, V OVER V, V OVER A, VOLTS WATTS, V OVER W, VOLTS DB, V OVER DB, A OVER V, A OVER A, AMPS WATTS, A OVER W, AMPS DB, A OVER DB, WATTS VOLTS, W OVER V, WATTS AMPS, W OVER A, WATTS SQUARED, W OVER W, WATTS DB, W OVER DB, DB VOLTS, DB OVER V, DB AMPS, DB OVER A, DB WATTS, DB OVER W, DB SQUARED, DB OVER DB, VOLTS SEC, AMPS SEC, WATTS SEC, V OVER S, A OVER S, W OVER S

**Group** Measurement

**Syntax** `MEASUREMENT:IMMED:UNITS?`

**Examples** `MEASUREMENT:IMMED:UNITS?` might return

`:MEASUREMENT:IMMED:UNITS "s"`

indicating that units for the immediate measurement are in seconds.

## MEASUrement:IMMed:VALue? (Query Only)

Returns the value of the measurement specified by the [MEASUrement:IMMed:TYPE](#) command. The measurement is immediately taken on the source(s) specified by a [MEASUrement:IMMed:SOUrce](#) command.

---

**NOTE.** *A change to [HORizontal:MAIn:SCALe](#) or [CH<x>:SCALe](#) will not necessarily have taken affect if immediately followed by this command.*

---

**Group** Measurement

**Syntax** MEASUrement:IMMed:VALue?

**Related Commands** [MEASUrement:IMMed:TYPE](#), [MEASUrement:IMMed:SOUrce](#), [\\*ESR?](#), [ALLEv?](#)

**Examples** MEASUREMENT:IMMED:VALUE? might return :MEASUREMENT:IMMED:VALUE 9.9000E+37. If the measurement has an error or warning associated with it, then an item is added to the error queue. The error can be checked for with the [\\*ESR?](#) and [ALLEv?](#) commands.

## MEASUrement:INDICators? (Query Only)

Returns all measurement indicator parameters.

**Group** Measurement

**Syntax** MEASUrement:INDICators?

**Examples** MEASUREMENT:INDICATORS? might return  
 MEASUREMENT:INDICATORS:STATE MEAS1;NUMHORZ 0;NUMVERT 4;HORZ1  
 7.5E0;HORZ2 -3.400000095367E0;HORZ3 0.0E0;HORZ4 0.0E0;VERT1  
 -6.351123E-6;VERT2 -3.179753E-6;VERT3 -6.40943E-6;VERT4  
 -6.403E-6

## MEASUrement:INDICators:HORZ<x>? (Query Only)

Returns the position of the specified horizontal measurement indicator <x>, where <x> can be 1, 2, 3, or 4.



**Group** Measurement

**Syntax** MEASUREMENT:INDICATORS:HORIZ<x>?

**Examples** MEASUREMENT:INDICATORS:HORIZ1? might return  
MEASUREMENT:INDICATORS:HORIZ1 -2.0E-3 indicating that horizontal  
indicator1 has a value of -2mV.

## MEASUREMENT:INDICATORS:NUMHORIZ? (Query Only)

Returns the number of horizontal measurement indicators currently being displayed.

**Group** Measurement

**Syntax** MEASUREMENT:INDICATORS:NUMHORIZ?

**Examples** MEASUREMENT:INDICATORS:NUMHORIZ? might return  
MEASUREMENT:INDICATORS:NUMHORIZ 2 indicating there are currently  
2 horizontal lines drawn on the graticule. The indicators show where the  
measurement specified by [MEASUREMENT:INDICATORS:STATE](#) is being  
performed.

## MEASUREMENT:INDICATORS:NUMVERT? (Query Only)

Returns the number of vertical measurement indicators currently being displayed.

**Group** Measurement

**Syntax** MEASUREMENT:INDICATORS:NUMVERT?

**Examples** MEASUREMENT:INDICATORS:NUMVERT? might return  
MEASUREMENT:INDICATORS:NUMVERT 2 indicating there are currently 2  
vertical lines drawn on the graticule. The indicators show where the measurement  
specified by [MEASUREMENT:INDICATORS:STATE](#) is being performed.

## MEASUREMENT:INDICATORS:STATE

Sets or returns the state of visible measurement indicators.

**Group** Measurement

**Syntax** MEASUREMENT:INDICATORS:STATE {OFF|MEAS<x>}  
MEASUREMENT:INDICATORS:STATE?

**Arguments** OFF turns the visible measurement indicators off.  
MEAS<x> displays the visible measurement indicators for measurement <x>, where <x> can be 1, 2, 3, or 4.

---

**NOTE.** *There must be an active measurement before you can activate an indicator for a specified measurement.*

---

**Examples** MEASUREMENT:INDICATORS:STATE MEAS2 turns on the display of visible measurement indicators for measurement 2.  
MEASUREMENT:INDICATORS:STATE? might return  
MEASUREMENT:INDICATORS:STATE OFF indicating that no measurement indicators are active.

## MEASUREMENT:INDICATORS:VERT<x>? (Query Only)

Returns the value of the specified vertical measurement indicator <x> from the trigger point, where <x> can be 1, 2, 3, or 4. A negative value means that the indicator is positioned earlier in the waveform record than the trigger point.

**Group** Measurement

**Syntax** MEASUREMENT:INDICATORS:VERT<x>?

**Examples** MEASUREMENT:INDICATORS:VERT2? might return  
MEASUREMENT:INDICATORS:VERT2 -3.724507E-6 indicating that the second measurement indicator is positioned 3.72  $\mu$ s before the trigger point.

## MEASUREMENT:MEAS<x>? (Query Only)

Returns all measurement parameters for the specified active measurement <x>.

**Group** Measurement

**Syntax** MEASUREMENT:MEAS<x>?

## MEASUREMENT:MEAS<x>:COUNT? (Query Only)

Returns the number of values accumulated for this measurement since the last statistical reset. Values may be ignored if they generated an error. Measurements are specified by x, which ranges from 1 through 4.

**Group** Measurement

**Syntax** MEASUREMENT:MEAS<x>:COUNT?

**Examples** MEASUREMENT:MEAS3:COUNT? might return :MEASUREMENT:MEAS3:COUNT  
3247.

## MEASUREMENT:MEAS<x>:DELAY? (Query Only)

Returns the delay measurement parameters for the measurement specified by <x>, which ranges from 1 through 4.

**Group** Measurement

**Syntax** MEASUREMENT:MEAS<x>:DELAY?

**Examples** MEASUREMENT:MEAS1? might return  
:MEASUREMENT:MEAS1:DELAY:DIRECTION FORWARDS;EDGE1 RISE;EDGE2  
RISE.

## MEASUrement:MEAS<x>:DELay:DIRection

Sets or returns the starting point and direction that determines the delay "to" edge when taking a delay measurement. Use the [MEASUrement:MEAS<x>:SOURCE2](#) command to specify the waveform.

**Group** Measurement

**Syntax** MEASUrement:MEAS<x>:DELay:DIRection {BACKwards|FORwards}  
MEASUrement:MEAS<x>:DELay:DIRection?

**Related Commands** [MEASUrement:MEAS<x>:SOURCE2](#)

**Arguments** BACKwards means the search starts at the end of the waveform and looks for the last rising or falling edge in the waveform. Use the [MEASUrement:MEAS<x>:DELay:EDGE<x>](#) command to specify the slope of the edge.

FORwards means the search starts at the beginning of the waveform and looks for the first rising or falling edge in the waveform. Use the [MEASUrement:MEAS<x>:DELay:EDGE<x>](#) command to specify the slope of the edge.

**Examples** MEASUREMENT:MEAS3:DELAY:DIRECTION BACKWARDS starts searching from the end of the waveform record.

MEASUREMENT:MEAS3:DELAY:DIRECTION? might return  
:MEASUREMENT:MEAS3:DELAY:DIRECTION BACKWARDS indicating  
that the current search direction is backwards.

## MEASUrement:MEAS<x>:DELay:EDGE<x>

Sets or returns the slope of the edge used for the delay "from" or "to" waveform when taking an immediate delay measurement. The waveform is specified by [MEASUrement:MEAS<x>:SOURCE\[1\]](#).

**Group** Measurement

**Syntax** MEASUrement:MEAS<x>:DELay:EDGE<x> {FALL|RISe}  
MEASUrement:MEAS<x>:DELay:EDGE<x>?

- Arguments** <x> specifies which waveform to use, where <x> = 1 is the "from" waveform, and <x> = 2 is the "to" waveform.
- FALL specifies the falling edge.
- RISe specifies the rising edge.
- Examples** MEASUREMENT:MEAS1:DELAY:EDGE1 RISE specifies that the "from" waveform rising edge be used for the immediate delay measurement.
- MEASUREMENT:MEAS1:DELAY:EDGE1? returns either RISE or FALL.

### MEASUREMENT:MEAS<x>:MAXIMUM? (Query Only)

Returns the maximum value found for this measurement since the last statistical reset. Measurements are specified by x, which ranges from 1 through 4.

**Group** Measurement

**Syntax** MEASUREMENT:MEAS<x>:MAXIMUM?

**Examples** MEASUREMENT:MEAS3:MAXIMUM? might return  
:MEASUREMENT:MEAS3:MAXIMUM 4.18E-9.

### MEASUREMENT:MEAS<x>:MEAN? (Query Only)

Returns the mean value accumulated for this measurement since the last statistical reset. Measurements are specified by x, which ranges from 1 through 4.

**Group** Measurement

**Syntax** MEASUREMENT:MEAS<x>:MEAN?

**Examples** MEASUREMENT:MEAS1:MEAN? might return :MEASUREMENT:MEAS1:MEAN  
514.71E-09.

### MEASUREMENT:MEAS<x>:MINIMUM? (Query Only)

Returns the minimum value for this measurement since the last statistical reset. Measurements are specified by <x>, which ranges from 1 through 4.

<b>Group</b>	Measurement
<b>Syntax</b>	MEASUREMENT:MEAS<x>:MINIMUM?
<b>Examples</b>	MEASUREMENT:MEAS1:MINIMUM? might return :MEASUREMENT:MEAS1:MINIMUM 1.75E-09.

## MEASUREMENT:MEAS<x>:SOURCE[1]

Sets or returns the source for all single source measurements and specifies the source to measure "from" when taking a delay measurement or phase measurement. Measurements are specified by <x>, which ranges from 1 through 4.

<b>Group</b>	Measurement
<b>Syntax</b>	MEASUREMENT:MEAS<x>:SOURCE[1] {CH<x> MATH<y> REF<x> D<x>} MEASUREMENT:MEAS<x>:SOURCE[1]?
<b>Arguments</b>	<p>CH&lt;x&gt; is an input channel waveform, where x is the channel number.</p> <p>MATH&lt;y&gt; is a math waveform, where y is 1.</p> <p>REF&lt;x&gt; is a reference waveform, where x is the reference channel number.</p> <p>D&lt;x&gt; is a digital waveform, where x is the digital channel number. Digital channels are available only on MSO models.</p>
<b>Examples</b>	<p>MEASUREMENT:MEAS2:SOURCE1 MATH1 specifies Math 1 as the measurement 2 source.</p> <p>MEASUREMENT:MEAS1:SOURCE1? might return :MEASUREMENT:MEAS1:SOURCE[1] MATH1 indicating that Math1 is the measurement 2 source.</p>

## MEASUREMENT:MEAS<x>:SOURCE2

Sets or returns the reference source to measure "to" when taking a delay measurement or phase measurement. Measurements are specified by <x>, which ranges from 1 through 4.

Tip: Source2 measurements only apply to phase and delay measurement types, which require both a target (Source1) and reference (Source2) source.

<b>Group</b>	Measurement
<b>Syntax</b>	MEASUREMENT:MEAS<x>:SOURCE2 {CH<x> MATH<y> REF<x> D<x>} MEASUREMENT:MEAS<x>:SOURCE2?
<b>Related Commands</b>	<a href="#">MEASUREMENT:MEAS&lt;x&gt;:TYPE</a>
<b>Arguments</b>	<p>CH&lt;x&gt; is an input channel waveform, where x is the channel number.</p> <p>MATH&lt;y&gt; is the math waveform, which is always 1.</p> <p>REF&lt;x&gt; is a reference waveform, where x is the reference channel number.</p> <p>D&lt;x&gt; is a digital waveform, where x is the digital channel number. Digital channels are available only on MSO models.</p>
<b>Examples</b>	<p>MEASUREMENT:MEAS4:SOURCE2 CH1 specifies CH1 as the delay "to" source when making delay measurement.</p> <p>MEASUREMENT:MEAS2:SOURCE2? might return :MEASUREMENT:MEAS2:SOURCE2 MATH1 indicating that Math 1 is the measurement 2 source.</p>

## MEASUREMENT:MEAS<x>:SOURCE<x>

For SOURCE1: Sets or returns the source for all single channel measurements. For delay or phase measurements, sets or returns the waveform to measure "from".

For SOURCE2: Sets or returns the waveform to measure "to" when taking a delay measurement or phase measurement.

<b>Group</b>	Measurement
<b>Syntax</b>	MEASUREMENT:MEAS<x>:SOURCE<x> {CH<x> MATH D<x>} MEASUREMENT:MEAS<x>:SOURCE<x>?
<b>Arguments</b>	<p>CH&lt;x&gt; is an input channel waveform, where x is the channel number.</p> <p>MATH is the math waveform.</p> <p>REF&lt;x&gt; is a reference waveform, where x is the reference channel number.</p> <p>D&lt;x&gt; is a digital waveform, where x is the digital channel number. Digital channels are available only on MSO models.</p>

## MEASUrement:MEAS<x>:STATE

Sets or returns whether the specified measurement slot is computed and displayed. The measurement slot is specified by <x>, which ranges from 1 through 4.

For a measurement to display, you must have selected a source waveform and defined the measurement you want to take and display. You select the measurement using the [MEASUrement:MEAS<x>:SOURCE\[1\]](#) command. You define the measurement type using the [MEASUrement:MEAS<x>:TYPE](#) command.

**Group** Measurement

**Syntax** MEASUrement:MEAS<x>:STATE {OFF|ON|<NR1>}  
MEASUrement:MEAS<x>:STATE?

**Related Commands** [MEASUrement:MEAS<x>:SOURCE\[1\]](#), [MEASUrement:MEAS<x>:TYPE](#)

**Arguments** OFF disables calculation and display of the specified measurement slot.  
ON enables calculation and display of the specified measurement slot.  
<NR1> = 0 disables calculation and display of the specified measurement slot; any other value enables calculation and display of the specified measurement slot.

**Examples** MEASUREMENT:MEAS2:STATE ON computes and displays the measurement defined as measurement 2.  
MEASUREMENT:MEAS1:STATE? might return :MEASUREMENT:MEAS1:STATE 0 indicating that measurement defined for measurement slot 1 is disabled.

## MEASUrement:MEAS<x>:STDdev? (Query Only)

Returns the standard deviation of values accumulated for this measurement since the last statistical reset. Measurements are specified by <x>, the measurement slots, from 1 through 4.

**Group** Measurement

**Syntax** MEASUrement:MEAS<x>:STDdev?



**Examples** MEASUREMENT:MEAS1:STDDEV? might return :MEASUREMENT:MEAS1:STDDEV 21.0E-12.

## MEASUREMENT:MEAS<x>:TYPE

Sets or returns the measurement type defined for the specified measurement slot. The measurement slot is specified by <x>, which ranges from 1 through 4.

Digital channel measurements do not have a user-settable midRef threshold. If you specify a digital channel measurement that is not available on MSO models, measurement error 2200: measurement system error occurs and 9.9e37 is returned.

**Group** Measurement

**Syntax** MEASUREMENT:MEAS<x>:TYPE  
 {AMPLITUDE|AREA|BURST|CAREA|CMEAN|CRMS|DELAY|FALL|FREQUENCY  
 |HIGH|LOW|MAXIMUM|MEAN|MINIMUM|NDUTY|NEDGECOUNT|NOVERSHOOT  
 |NPULSECOUNT|NWIDTH|PDUTY|PEDGECOUNT|PERIOD|PHASE|PK2PK  
 |POVERSHOOT|PPULSECOUNT|PWIDTH|RISE|RMS}  
 MEASUREMENT:MEAS<x>:TYPE?

**Arguments** **AMPLITUDE** measures the amplitude of the selected waveform. In other words, it measures the high value less the low value measured over the entire waveform or gated region. This measurement is applicable only to the analog channels.

$$\textit{Amplitude} = \textit{High} - \textit{Low}$$

**AREA** measures the voltage over time. The area is over the entire waveform or gated region and is measured in volt-seconds. The area measured above the ground is positive, while the area below ground is negative. This measurement is applicable only to the analog channels.

**BURST** measures the duration of a burst. The measurement is made over the entire waveform or gated region.

**CAREA** (cycle area) measures the voltage over time. In other words, it measures, in volt-seconds, the area over the first cycle in the waveform or the first cycle in the gated region. The area measured above the common reference point is positive, while the area below the common reference point is negative. This measurement is applicable only to the analog channels.

**CMEAN** (cycle mean) measures the arithmetic mean over the first cycle in the waveform or the first cycle in the gated region. This measurement is applicable only to the analog channels.

**CRMS** (cycle rms) measures the true Root Mean Square voltage over the first cycle in the waveform or the first cycle in the gated region. This measurement is applicable only to the analog channels.

**DElay** measures the time between the middle reference (default = 50%) amplitude point of the source waveform and the destination waveform. This measurement is applicable only to the analog channels.

**FALL** measures the time taken for the falling edge of the first pulse in the waveform or gated region to fall from a high reference value (default is 90%) to a low reference value (default is 10%). This measurement is applicable only to the analog channels.

**FREquency** measures the first cycle in the waveform or gated region. Frequency is the reciprocal of the period and is measured in hertz (Hz), where 1 Hz = 1 cycle per second.

**HIGH** measures the High reference (100% level, sometimes called Topline) of a waveform. This measurement is applicable only to the analog channels.

**LOW** measures the Low reference (0% level, sometimes called Baseline) of a waveform. This measurement is applicable only to the analog channels.

**MAXimum** finds the maximum amplitude. This value is the most positive peak voltage found. It is measured over the entire waveform or gated region. This measurement is applicable only to the analog channels.

**MEAN** amplitude measurement finds the arithmetic mean over the entire waveform or gated region. This measurement is applicable only to the analog channels.

**MINimum** finds the minimum amplitude. This value is typically the most negative peak voltage. It is measured over the entire waveform or gated region. This measurement is applicable only to the analog channels.

**NDuty** (negative duty cycle) is the ratio of the negative pulse width to the signal period, expressed as a percentage. The duty cycle is measured on the first cycle in the waveform or gated region.

$$\text{Negative Duty Cycle} = ((\text{Negative Width}) / \text{Period}) \times 100\%$$

**NEDGECount** is the count of negative edges.

**NOvershoot** (negative overshoot) finds the negative overshoot value over the entire waveform or gated region. This measurement is applicable only to the analog channels.

$$\text{Negative Overshoot} = ((\text{Low} - \text{Minimum}) / \text{Amplitude}) \times 100\%$$

**NPULSECount** is the count of negative pulses.

**NWIdth** (negative width) measurement is the distance (time) between the middle reference (default = 50%) amplitude points of a negative pulse. The measurement is made on the first pulse in the waveform or gated region.

**PDuty** (positive duty cycle) is the ratio of the positive pulse width to the signal period, expressed as a percentage. It is measured on the first cycle in the waveform or gated region.

$$\text{Positive Duty Cycle} = ((\text{Positive Width}) / \text{Period}) \times 100\%$$

**PEDGECount** is the count of positive edges.

**PERIOD** is the time required to complete the first cycle in a waveform or gated region. Period is the reciprocal of frequency and is measured in seconds.

**PHASE** measures the phase difference (amount of time a waveform leads or lags the reference waveform) between two waveforms. The measurement is made between the middle reference points of the two waveforms and is expressed in degrees, where 360° represents one waveform cycle.

**PK2Pk** (peak-to-peak) finds the absolute difference between the maximum and minimum amplitude in the entire waveform or gated region. This measurement is applicable only to the analog channels.

**POvershoot** is the positive overshoot value over the entire waveform or gated region. This measurement is applicable only to the analog channels.

$$\text{Positive Overshoot} = ((\text{Maximum} - \text{High}) / \text{Amplitude}) \times 100\%$$

**PPULSECount** is the count of positive pulses.

**PWidth** (positive width) is the distance (time) between the middle reference (default = 50%) amplitude points of a positive pulse. The measurement is made on the first pulse in the waveform or gated region.

**RISE** timing measurement finds the rise time of the waveform. The rise time is the time it takes for the leading edge of the first pulse encountered to rise from a low reference value (default is 10%) to a high reference value (default is 90%). This measurement is applicable only to the analog channels.

**RMS** amplitude measurement finds the true Root Mean Square voltage in the entire waveform or gated region. This measurement is applicable only to the analog channels.

### Examples

**MEASUREMENT:MEAS2:TYPE FREQUENCY** defines measurement 2 as a measurement of the frequency of a waveform.

**MEASUREMENT:MEAS1:TYPE?** might return **:MEASUREMENT:MEAS1:TYPE RMS** indicating that measurement 1 is defined to measure the RMS value of a waveform.

## MEASUREMENT:MEAS<x>:UNITS? (Query Only)

Returns the units associated with the specified measurement. The measurement slots are specified by <x>, which ranges from 1 through 4.

**Group** Measurement

**Syntax** MEASUREMENT:MEAS<x>:UNITS?

**Related Commands**    [MEASUrement:MEAS<x>:TYPe](#)

**Examples**    MEASUREMENT:MEAS1:UNITS? might return :MEASUREMENT:MEAS1:UNITS % indicating units for measurement 1 are set to percent.

## MEASUrement:MEAS<x>:VALue? (Query Only)

Returns a calculate value for the measurement specified by <x>, which ranges from 1 through 4.

---

**NOTE.** *This is the same value as displayed on-screen. If measurement statistics are enabled, a new value is calculated with every waveform. In addition, this value is updated approximately every 1/3 second. If you are acquiring a long acquisition record, the oscilloscope may take longer to update.*

---

**Group**    Measurement

**Syntax**    MEASUrement:MEAS<x>:VALue?

**Related Commands**    [MEASUrement:MEAS<x>:UNIts?](#), [\\*ESR?](#), [ALLEv?](#)

**Examples**    MEASUREMENT:MEAS1:VALUE? might return :MEASUREMENT:MEAS1:VALUE 2.8740E-06. If the measurement has an error or warning associated with it, then an item is added to the error queue. The error can be checked for with the [\\*ESR?](#) and [ALLEv?](#) commands.

## MEASUrement:METhod

Sets or returns the method used to calculate the 0% and 100% reference level.

**Group**    Measurement

**Syntax**    MEASUrement:METhod {Auto|HISTogram|MINMax}  
MEASUrement:METhod?

**Related Commands**    [MEASUrement:REFLevel:PERCent:HIGH](#), [MEASUrement:REFLevel:PERCent:LOW](#), [MEASUrement:REFLevel:PERCent:MID](#), [MEASUrement:REFLevel:PERCent:MID2](#)

- Arguments** Auto selects the best method for each data set.
- HISTogram sets the high and low waveform levels statistically using a histogram algorithm.
- MINMax uses the highest and lowest values of the waveform record. This selection is best for examining waveforms with no large, flat portions of a common value, such as sine waves and triangle waves.
- Examples** MEASUREMENT:METHOD? might return :MEASUREMENT:METHOD MINMAX indicating that the reference levels are set to MIN and MAX.

## MEASUREMENT:REFLevel? (Query Only)

Returns the current reference level parameters.

**Group** Measurement

**Syntax** MEASUREMENT:REFLevel?

**Examples** MEASUREMENT:REFLEVEL? might return these reference level settings :MEASUREMENT:REFLEVEL:METHOD PERCENT;ABSOLUTE:HIGH 0.0000;LOW 0.0000;MID1 0.0000 ;MID2 0.0000;;MEASUREMENT:REFLEVEL:PERCENT:HIGH 90.0000;LOW 10.0000;MID1 50.0000 ;MID2 50.0000

## MEASUREMENT:REFLevel:ABSolute:HIGH

Sets or returns the high reference level, and is the upper reference level when [MEASUREMENT:REFLevel:METHOD](#) is set to Absolute. This command affects the results of rise and fall measurements.

---

**NOTE.** *this command affects the associated reference level parameter for all MEASUREMENTS:IMMED and the four periodic measurements.*

---

**Group** Measurement

**Syntax** MEASUREMENT:REFLevel:ABSolute:HIGH <NR3>  
MEASUREMENT:REFLevel:ABSolute:HIGH?

<b>Related Commands</b>	<a href="#">MEASUREMENT:REFLEVEL:METHOD</a> , <a href="#">MEASUREMENT:IMMED:TYPE</a> , <a href="#">MEASUREMENT:MEAS&lt;x&gt;:TYPE</a>
<b>Arguments</b>	<NR3> is the high reference level, in volts. The default is 0.0 V.
<b>Examples</b>	<p>MEASUREMENT:REFLEVEL:ABSOLUTE:HIGH 1.71 sets the high reference level to 1.71 V.</p> <p>MEASUREMENT:REFLEVEL:ABSOLUTE:HIGH? might return :MEASUREMENT:REFLEVEL:ABSOLUTE:HIGH 1.7100E+00 indicating that the absolute high reference level is set to 1.71 V.</p>

## MEASUREMENT:REFLEVEL:ABSOLUTE:LOW

Sets or returns the low reference level, and is the lower reference level when [MEASUREMENT:REFLEVEL:METHOD](#) is set to Absolute.

---

**NOTE.** *this command affects the associated reference level parameter for all MEASUREMENTS:IMMED and the four periodic measurements.*

---

<b>Group</b>	Measurement
<b>Syntax</b>	<pre>MEASUREMENT:REFLEVEL:ABSOLUTE:LOW &lt;NR3&gt; MEASUREMENT:REFLEVEL:ABSOLUTE:LOW?</pre>
<b>Related Commands</b>	<a href="#">MEASUREMENT:REFLEVEL:METHOD</a> , <a href="#">MEASUREMENT:IMMED:TYPE</a> , <a href="#">MEASUREMENT:MEAS&lt;x&gt;:TYPE</a>
<b>Arguments</b>	<NR3> is the low reference level, in volts. The default is 0.0 V.
<b>Examples</b>	<p>MEASUREMENT:REFLEVEL:ABSOLUTE:LOW 0.0 sets the low reference level to 0.0 V.</p> <p>MEASUREMENT:REFLEVEL:ABSOLUTE:LOW? might return :MEASUREMENT:REFLEVEL:ABSOLUTE:LOW 0.0000E+00 indicating that the absolute low reference level is set to 0.0 V.</p>

## MEASUREMENT:REFLevel:ABSolute:MID[1]

Sets or returns the mid reference level, and is the 50% reference level when [MEASUREMENT:REFLevel:METHod](#) is set to Absolute. This command affects the results of period, frequency, delay, and all cyclic measurements.

---

**NOTE.** *this command affects the associated reference level parameter for all MEASUREMENTS:IMMed and the four periodic measurements.*

---

**Group** Measurement

**Syntax** MEASUREMENT:REFLevel:ABSolute:MID[1] <NR3>  
MEASUREMENT:REFLevel:ABSolute:MID[1]?

**Related Commands** [MEASUREMENT:REFLevel:METHod](#)

**Arguments** <NR3> is the mid reference level, in volts. The default is 0.0 V.

**Examples** MEASUREMENT:REFLEVEL:ABSOLUTE:MID 1 .71 sets the mid reference level to .71 V.

MEASUREMENT:REFLEVEL:ABSOLUTE:MID? might return  
:MEASUREMENT:REFLEVEL:ABSOLUTE:MID 0.7100E+00 indicating  
that the absolute mid1 reference level is set to .71 V.

## MEASUREMENT:REFLevel:ABSolute:MID2

Sets or returns the mid reference level for the "to" waveform when taking a delay measurement, and is the 50% reference level when [MEASUREMENT:REFLevel:METHod](#) is set to Absolute. This command affects the results of delay measurements.

---

**NOTE.** *this command affects the associated reference level parameter for all MEASUREMENTS:IMMed and the four periodic measurements.*

---

**Group** Measurement

**Syntax** MEASUREMENT:REFLevel:ABSolute:MID2 <NR3>  
MEASUREMENT:REFLevel:ABSolute:MID2?

**Related Commands**    [MEASUREMENT:REFLEVEL:METHOD](#)

**Arguments**    <NR3> is the mid reference level, in volts. The default is 0.0 V.

**Examples**    MEASUREMENT:REFLEVEL:ABSOLUTE:MID2 0.5 sets the mid reference level for the delay waveform to 0.5 V.

MEASUREMENT:REFLEVEL:ABSOLUTE:MID2? might return  
:MEASUREMENT:REFLEVEL:ABSOLUTE:MID2 0.5000E+00 indicating that the absolute mid2 reference level is set to 0.5 V.

## MEASUREMENT:REFLEVEL:ABSOLUTE:MID<x>

Sets or returns the mid reference level for channel <x>, where x is the measurement channel.

**Group**    Measurement

**Syntax**    MEASUREMENT:REFLEVEL:ABSOLUTE:MID<x> <NR3>  
MEASUREMENT:REFLEVEL:ABSOLUTE:MID<x>?

**Arguments**    <NR3> is the mid reference level in volts.

## MEASUREMENT:REFLEVEL:METHOD

Specifies or returns the reference level units used for measurement calculations.

---

**NOTE.** *this command affects the associated reference level parameter for all MEASUREMENTS:IMMED and the eight periodic measurements. To change the parameter for individual measurements, use the MEASUREMENT:MEAS<x>:REFLEVEL commands.*

---

**Group**    Measurement

**Syntax**    MEASUREMENT:REFLEVEL:METHOD {ABSOLUTE|PERCENT}  
MEASUREMENT:REFLEVEL:METHOD?

**Arguments**    ABSOLUTE specifies that the reference levels are set explicitly using the MEASUREMENT:REFLEVEL:ABSOLUTE commands. This method is useful when



precise values are required (for example, when designing to published interface specifications, such as RS-232-C).

PERCent specifies that the reference levels are calculated as a percent relative to HIGH and LOW. The percentages are defined using the MEASUrement:REFLevel:PERCent commands.

- Examples** MEASUREMENT:REFLEVEL:METHOD ABSOLUTE specifies that explicit user-defined values are used for the reference levels.
- MEASUREMENT:REFLEVEL:METHOD? might return  
:MEASUREMENT:REFLEVEL:METHOD PERCENT indicating that the reference level units used are calculated as a percent relative to HIGH and LOW.

## MEASUrement:REFLevel:PERCent:HIGH

Sets or returns the percent (where 100% is equal to HIGH) used to calculate the high reference level when MEASUrement:REFLevel:METHod is set to Percent. This command affects the results of rise and fall measurements.

---

**NOTE.** *This command affects the associated reference level parameter for all MEASurements:IMMed and the four periodic measurements.*

---

- Group** Measurement
- Syntax** MEASUrement:REFLevel:PERCent:HIGH <NR3>  
MEASUrement:REFLevel:PERCent:HIGH?
- Related Commands** MEASUrement:REFLevel:METHod, MEASUrement:IMMed:TYPe, MEASUrement:MEAS<x>:TYPe
- Arguments** <NR3> is the high reference level, ranging from 0 to 100%. The default high reference level is 90%.
- Examples** MEASUREMENT:REFLEVEL:PERCENT:HIGH 95 sets the high reference level to 95% of HIGH.
- MEASUREMENT:REFLEVEL:PERCENT:HIGH? might return  
:MEASUREMENT:REFLEVEL:PERCENT:HIGH 90 indicating that the percentage high reference level is set to 90% of HIGH.

## MEASUrement:REFLevel:PERCent:LOW

Sets or returns the percent (where 100% is equal to HIGH) used to calculate the low reference level when [MEASUrement:REFLevel:METhod](#) is set to Percent. This command affects the results of rise and fall measurements.

---

**NOTE.** *this command affects the associated reference level parameter for all MEASurements:IMMed and the four periodic measurements.*

---

**Group** Measurement

**Syntax** MEASUrement:REFLevel:PERCent:LOW <NR3>  
MEASUrement:REFLevel:PERCent:LOW?

**Related Commands** [MEASUrement:REFLevel:METhod](#), [MEASUrement:IMMed:TYPE](#),  
[MEASUrement:MEAS<x>:TYPE](#)

**Arguments** <NR3> is the low reference level, ranging from 0 to 100%. The default low reference level is 10%.

**Examples** MEASUREMENT:REFLEVEL:PERCENT:LOW 15 sets the high reference level to 15% of HIGH.

MEASUREMENT:REFLEVEL:PERCENT:LOW? might return  
:MEASUREMENT:REFLEVEL:PERCENT:LOW 10 indicating that the percentage high reference level is set to 10% of HIGH.

## MEASUrement:REFLevel:PERCent:MID[1]

Sets or returns the percent (where 100% is equal to HIGH) that is used to calculate the mid reference level when [MEASUrement:REFLevel:METhod](#) is set to Percent. This command affects the results of period, frequency, delay, and all cyclic measurements.

---

**NOTE.** *this command affects the associated reference level parameter for all MEASurements:IMMed and the four periodic measurements.*

---

**Group** Measurement

**Syntax** MEASUREMENT:REFLEVEL:PERCENT:MID[1] <NR3>  
MEASUREMENT:REFLEVEL:PERCENT:MID[1]?

**Related Commands** [MEASUREMENT:REFLEVEL:METHOD](#)

**Arguments** <NR3> is the mid reference level, ranging from 0 to 100%. The default mid reference level is 50%.

**Examples** MEASUREMENT:REFLEVEL:PERCENT:MID 1 60 sets the mid reference level to 60% of HIGH.

MEASUREMENT:REFLEVEL:PERCENT:MID? might return  
:MEASUREMENT:REFLEVEL:PERCENT:MID 65 indicating that the percentage mid reference level is set to 65% of HIGH.

## MEASUREMENT:REFLEVEL:PERCENT:MID2

Sets or returns the percent (where 100% is equal to HIGH) that is used to calculate the mid reference level for the second waveform specified when [MEASUREMENT:REFLEVEL:METHOD](#) is set to Percent. This command affects the results of delay measurements.

---

**NOTE.** *this command affects the associated reference level parameter for all MEASUREMENTS:IMMED and the four periodic measurements.*

---

**Group** Measurement

**Syntax** MEASUREMENT:REFLEVEL:PERCENT:MID2 <NR3>  
MEASUREMENT:REFLEVEL:PERCENT:MID2?

**Related Commands** [MEASUREMENT:REFLEVEL:METHOD](#)

**Arguments** <NR3> is the mid reference level, ranging from 0 to 100%. The default mid reference level is 50%.

**Examples** MEASUREMENT:REFLEVEL:PERCENT:MID2 40 sets the mid2 reference level to 40% of HIGH.

MEASUREMENT:REFLEVEL:PERCENT:MID2? might return  
:MEASUREMENT:REFLEVEL:PERCENT:MID2 45 indicating that the percentage mid2 reference level is set to 45% of HIGH.

## MEASUREMENT:REFLEVEL:PERCENT:MID<x>

Sets or returns the mid reference level for channel <x>, where x is the measurement channel.

**Group** Measurement

**Syntax** MEASUREMENT:REFLEVEL:PERCENT:MID<x> <NR3>  
MEASUREMENT:REFLEVEL:PERCENT:MID<x>?

**Arguments** <NR3> is the mid reference level in percent.

## MEASUREMENT:SNAPSHOT (No Query Form)

Displays the measurement snapshot list on the oscilloscope screen. The list contains the immediate values for all available measurements of the active signal.

**Group** Measurement

**Syntax** MEASUREMENT:SNAPSHOT

## MEASUREMENT:STATISTICS (No Query Form)

Clears all of the statistics accumulated for all periodic measurements (MEAS1 through MEAS4).

The query form returns statistic settings.

**Group** Measurement

**Syntax** MEASUREMENT:STATISTICS RESET  
MEASUREMENT:STATISTICS?

**Arguments** RESET clears the measurements.

## MEASUREMENT:STATISTICS:MODE

Controls the operation and display of management statistics.

**Group** Measurement

**Syntax** MEASUREMENT:STATISTICS:MODE {OFF|ON}  
MEASUREMENT:STATISTICS:MODE?

**Related Commands** [MEASUREMENT:STATISTICS](#)

**Arguments** OFF turns all measurements off. This is the default value.  
ON turns on statistics and displays all statistics for each measurement.

**Examples** MEASUREMENT:STATISTICS:MODE OFF turns statistic measurements off.  
MEASUREMENT:STATISTICS:MODE? might return  
:MEASUREMENT:STATISTICS:MODE ON indicating that measurement statistics  
are turned on and all statistics are being displayed for each measurement.

## MEASUREMENT:STATISTICS:WEIGHTING

Sets or returns the time constant for mean and standard deviation statistical accumulations.

**Group** Measurement

**Syntax** MEASUREMENT:STATISTICS:WEIGHTING <NR1>  
MEASUREMENT:STATISTICS:WEIGHTING?

**Related Commands** [MEASUREMENT:STATISTICS:MODE](#)

**Arguments** <NR1> is the number of samples used for the mean and standard deviation statistical accumulations.

**Examples** MEASUREMENT:STATISTICS:WEIGHTING 4 sets statistical weighting to four samples.

MEASUREMENT:STATISTICS:WEIGHTING? might return  
:MEASUREMENT:STATISTICS:WEIGHTING 4 indicating that  
measurement statistics weighting is currently set to 4 samples.

## MESSage

This command sets or queries message box (screen annotation) parameters.

<b>Group</b>	Display
<b>Syntax</b>	MESSage MESSage?
<b>Examples</b>	MESSAGE? might return MESSAGE:SHOW "TP401";BOX 271,82,292,114;STATE 0 indicating the message parameters.

## MESSage:BOX

Sets or returns the co-ordinates of the message box. This command does not display the message unless MESSage:STATE is on.

X1 and Y1 are the screen coordinates of the top left corner of the message box. X2 and Y2 are the screen coordinates of the bottom right corner of the message box. All four coordinates are returned by the query.

Changing the text in the message box, using the MESSAGE:SHOW command, automatically resizes the message box. If you want a custom message box size, send the MESSAGE:BOX command after changing the text using the MESSAGE:SHOW command.

Message box settings and data are saved and restored in saved setups.

<b>Group</b>	Display
<b>Syntax</b>	MESSage:BOX <X1>, <Y1>[ , <X2>, <Y2>] MESSage:BOX?
<b>Related Commands</b>	<a href="#">MESSage:STATE</a> , <a href="#">MESSage:SHOW</a> , <a href="#">MESSage:CLEAR</a>

<b>Arguments</b>	<X1> and <X2> = 0 to 1023, and are pixel positions along the horizontal axis. <X1> defines the left and <X2> defines the right side of the window.  <Y1> and <Y2> = 0 to 767, and are pixel positions along the vertical axis. <Y1> defines the top and <Y2> defines the bottom of the window. The reserved height of all characters is 16 pixels so the window must be at least that high to fully display characters. <X2> and <Y2> are optional because the MESSAGE:SHOW
------------------	---

command automatically sizes the box to fit the message. All four values are returned in a query.

## MESSage:CLEAR (No Query Form)

Clears the contents of the message box.

**Group** Display

**Syntax** MESSage: CLEAR

**Related Commands** [MESSage:BOX](#), [MESSage:SHOW](#), [MESSage:STATE](#)

**Examples** MESSage: CLEAR  
removes the message from the message window.

## MESSage:SHOW

Sets or returns the contents of the message box. MESSage:SHOW <Qstring> defines the content of the message box. Change in string length causes automatic resize of the message box to fit the text. The box may be resized using the [MESSage:BOX](#) command. The [MESSage:STATE](#) command is used to turn on and off the message box display.

**Group** Display

**Syntax** MESSage: SHOW <Qstring>  
MESSage: SHOW?

**Related Commands** [MESSage:BOX](#), [MESSage:CLEAR](#), [MESSage:STATE](#)

**Arguments** <Qstring> is the message and can include any of the characters shown in the Character Set, Appendix A. The maximum length of the message is 1000 characters; the instrument ignores longer strings.

The message box size is set to fit the message. You can also set the message area height and width using the [MESSage:BOX](#) command. The length of the message that fits in the message area depends on the contents of the message because the width of characters varies.





Index 9	White (text)
Index 10	Tek blue
Index 11	Bright blue
Index 12	Undefined
Index 13	Blue
Index 14	Undefined
Index 15	Dark blue
Bit 4	If set, the foreground color is set to the default foreground color.
Bit 3	If set, the background color is set to the default background color.
Bit 2	Undefined
Bit 1	Undefined
Bit 0	Undefined

The ESC (escape) character followed by the @ character turns inverse video on or off and can be embedded in the message string. Example: “abcESC@defESC@ghi” specifies the string “abcdefghi” where the “def” portion is displayed in inverse video.

Example: “abcESC#defESC)ESC@ghi” specifies the string “abcdefghi” where the “def” portion appears in the channel 3 color (magenta) and the “ghi” portion appears in the normal text color except it’s in inverse video.

An alternate way to enter characters is octal escape sequences. This consists of a backslash followed by numerals in the standard C language printf fashion.

Another way to enter characters is \xnn where the nn is the hexadecimal value of the character to display.

An advantage of these methods is that any controller program can be used. Another advantage is it’s easy to access characters with the high bit set, that is, those characters with a decimal value greater than 127.

An alternate way to enter certain characters is with a backslash followed by a single character (following “standard” Unix) as described in the table below.

n	Newline (carriage return and line feed)
\	Backslash (\ is required to get a backslash character)
t	Horizontal tab; the next 2 characters specify the pixel column to tab to as explained earlier

If a backslash is followed by an undefined special character, the backslash is ignored and the character following it is accepted as is.

---

**NOTE.** *The use of any escape codes other than those described above may produce unpredictable results.*

---

**Examples**    MESSage:SHOW “Hello World”  
 displays “Hello world” in the upper left corner of the box (you can define the box size with the MESSAGE BOX command).

MESSage:SHOW “**←**@Hello World**←**@ ... hello”  
 displays “Hello world ... hello” in the upper left corner of the box and the word “world” is displayed in inverse video. In this example, **←** stands for the escape character. The escape character may appear differently for you depending on your controller program.

## MESSage:STATE

Controls the display of the message box.

**Group**    Display

**Syntax**    MESSage:STATE {OFF|ON|<NR1>}  
 MESSage:STATE?

**Related Commands**    [MESSage:BOX](#)  
[MESSage:SHOW](#), [MESSage:CLEAR](#)

**Arguments**    OFF or <NR1> = 0 removes the message window from the screen.  
 ON or <NR1> ≠ 0 displays the message window and its contents on the screen.

## NEWpass (No Query Form)

This command changes the password that enables access to password protected data. The PASSWord command must be successfully executed before using this command or an execution error will be generated.

**Group**    Miscellaneous

**Syntax**    NEWpass <QString>

**Related Commands**    [\\*PUD](#)  
[PASSWord](#)

**Arguments** <QString> is the new password, which can contain up to 16 characters.

**Examples** NEWPASS "mypassword" creates a new password (mypassword) for accessing your protected data.

## \*OPC

Generates the operation complete message in the Standard Event Status Register (SESR) when all pending commands that generate an OPC message are complete. The \*OPC? query places the ASCII character "1" into the output queue when all such OPC commands are complete. The \*OPC? response is not available to read until all pending operations finish. (See page 3-1, *Status and Events*.)

The \*OPC command allows you to synchronize the operation of the oscilloscope with your application program. (See page 3-7, *Synchronization Methods*.)

**Table 2-41: Commands that Generate an OPC Message**

Operation	Command
Single sequence acquisition	<a href="#">ACQUIRE:STATE</a> {ON NR 1} <a href="#">AUXin:PRObe:DEGAUss</a> EXECute <a href="#">CH&lt;x&gt;:PRObe:DEGAUss</a> EXECute <a href="#">DIAG:STATE</a> EXECute <a href="#">RECALL:SETUp</a> <file path> <a href="#">RECALL:WAVEform</a> <file path>,REF<x> <a href="#">SAVE:IMAGe</a> <file path> <a href="#">SAVE:SETUp</a> <file path> <a href="#">SAVE:WAVEform</a> <wfm>, {REF<x>} <a href="#">TEKSecure</a>
Hard copy operation	<a href="#">HARDCopy</a> START
Calibration step	{START PREVIOUS CONTINUE}

**Group** Status and Error

**Syntax** \*OPC  
\*OPC?

**Related Commands** [BUSY?](#), [\\*WAI](#)

**Examples** \*OPC generates the operation complete message in the SESR at the completion of all pending OPC operations.

\*OPC? might return 1 to indicate that all pending OPC operations are finished.

## PASSWord(No Query Form)

Enables the \*PUD and NEWpass set commands. Sending PASSWord without any arguments disables these same commands. Once the password is successfully entered, the \*PUD and NEWpass commands are enabled until the oscilloscope is powered off, or until the FACTory command or the PASSWord command with no arguments is issued.

To change the password, you must first enter the valid password with the PASSWord command and then change to your new password with the NEWpass command. Remember that the password is case sensitive.

**Group** Miscellaneous

**Syntax** PASSWord <QString>

**Related Commands** [NEWpass](#), [\\*PUD](#)

**Arguments** <QString> is the password and can include up to 10 characters. The factory default password is “XYZZY” and is always valid.

**Examples** PASSWORD “XYZZY” enables the \*PUD and NEWpass set commands.  
PASSWORD disables the \*PUB and NEWpass set commands. You can still use the query version of \*PUD.

## PICTBridge:DATEPrint

Enables or disables printing the date on the print output

**Group** PictBridge

**Syntax** PICTBridge:DATEPrint {DEFLT|OFF|ON}

**Arguments** DEFLT is the default setting of the printer.  
ON enables the date print on the print output.  
OFF disables the date print on the print output.

**Examples** PICTBRIDGE:DATEPRINT ON enables the date print on the print output.  
PICTBRIDGE:DATEPRINT? might return PICTBRIDGE:DATEPRINT DEFLT indicating the default setting of the printer.

## PICTBridge:DEfault (No Query Form)

Sets the arguments for all PictBridge commands to their default values. The default values are same as printer default settings.

**Group** PictBridge

**Syntax** PICTBridge:DEfault

**Examples** PICTBRIDGE:DEFAULT sets all PICTBridge commands to their default values.

## PICTBridge:IDPrint

Enables or disables printing the oscilloscope model and serial number on the print output.

**Group** PictBridge

**Syntax** PICTBridge:IDPrint {DEFLT|OFF|ON}

### Related Commands

**Arguments** DEFLT is the default setting of the printer.  
ON enables the oscilloscope model and serial number print on the print output.  
OFF disables the oscilloscope model and serial number print on the print output.

**Examples** PICTBRIDGE:IDPRINT ON enables the printing of oscilloscope model and serial number on the print output.  
PICTBRIDGE:IDPRINT? might return PICTBRIDGE:IDPRINT OFF indicating that the ID print is disabled on the print output.

## PICTBridge:IMAGESize

Sets or returns the image print size.

**Group** PictBridge

**Syntax** PICTBridge:IMAGESize  
{DEFLT|IN2P5BY3P25|L|IN4BY6|L2|IN8BY10|L4|E|CARD|HAGAKIPcard|CM6BY8|CM7BY10|CM9BY13|CM10BY15|CM13BY18|CM15BY21|CM18BY24|A4|LETTER}

**Arguments** DEFLT for a default image print size.

IN2P5BY3P25 for a 2\_5\*3\_25 image print size.

L for a 3\_5\*5 image print size.

IN4BY6 for a 4\*6 image print size.

L2 for a 5\*7 image print size.

IN8BY10 for a 8\*10 image print size.

L4 for a 254 MM\*178 MM image print size.

E for a 110 MM\*74 MM image print size.

CARD for a 89 MM\*55 MM image print size.

HAGAKIPcard for a 100 MM\*148 MM image print size.

CM6BY8 for a 6 CM\*8 CM image print size.

CM7BY10 for a 7 CM\*10 CM image print size.

CM9BY13 for a 9 CM\*13 CM image print size.

CM10BY15 for a 10 CM\*15 CM image print size.

CM13BY18 or a 13 CM\*18 CM image print size.

CM15BY21 for a 15 CM\*21 CM image print size.

CM18BY24 for a 18 CM\*24 CM image print size.

A4 for a A4 image print size.

LETTER for a Letter image print size.

**Examples** PICTBRIDGE:IMAGESIZE CARD sets the image print size to 89 MM\* 55 MM.

PICTBRIDGE:IMAGESIZE? might return PICTBRIDGE:IMAGESIZE DEFLT indicating the default image print size.

## PICTBridge:PAPERSize

Sets the output print paper size.

**Group** PictBridge

**Syntax** PICTBridge:PAPERSize  
 DEFLT|L|L2|HAGAKIPCARD|MM54BY86|MM100BY150|IN4BY6|IN8BY10|LETTER|IN11BY17|A0|A1|A2|A3|A4|A5|A6|A7|A8|A9|B0|B1|B2|B4|B5|B6|B7|B8|B9|ROLL89MM|ROLL127MM|ROLL100MM|ROLL210MM}

**Arguments** DEFLT for a default paper size.  
 L for a paper size L  
 L2 for a paper size 2L.  
 HAGAKIPCARD for a paper size Hagaki.  
 MM54BY86 for a card paper size.  
 MM100BY150 for paper size of 100\*150 MM.  
 IN4BY6 for a paper size of 4\*6.  
 IN8BY10 for a paper size of 8\*10.  
 LETTER for a letter paper size.  
 IN11BY17 for a paper size of 11\*17.  
 A0 for a A0 paper size.  
 A1 for a A1 paper size.  
 A2 for a A2 paper size.  
 A3 for a A3 paper size.  
 A4 for a A4 paper size.  
 A5 for a A5 paper size.  
 A6 for a A6 paper size.  
 A7 for a A7 paper size.  
 A8 for a A8 paper size..  
 A9 for a A9 paper size.  
 B0 for a B0 paper size.  
 B1 for a B1 paper size.  
 B2 for a B2 paper size.

B3 for a B3 paper size.

B4 for a B4 paper size.

B5 for a B5 paper size.

B6 for a B6 paper size.

B7 for a B7 paper size.

B8 for a B8 paper size.

B9 for a B9 paper size.

ROLL89MM for a 89 MM Roll paper size.

ROLL127MM for a 127 MM Roll paper size.

ROLL100MM for a 100 MM Roll paper size.

ROLL210MM for a 210 MM Roll paper size.

**Examples** PICTBRIDGE:PAPERSIZEL sets the paper size to L.

PICTBRIDGE:PAPERSIZE? might return PICTBRIDGE:PAPERSIZE DEFLT indicating the paper size is set to Default.

## PICTBridge:PAPERType

Sets or returns the paper type.

**Group** PictBridge

**Syntax** PICTBridge:PAPERType {DEFLT|PLAIN|PHOTO|FASTPHOTO}

**Arguments** DEFLT for a default print paper type.

PLAIN for a plain print paper type.

PHOTO for a photo print paper type.

FASTPHOTO for a fastphoto print paper type.

**Examples** PICTBRIDGE:PAPERTYPE PLAIN sets the paper type to Plain.

PICTBRIDGE:PAPERTYPE? might return PICTBRIDGE:PAPERTYPE DEFLT indicating the default paper type.



## PICTBridge:PRINTQual

Sets or returns the output print quality.

**Group** PictBridge

**Syntax** PICTBridge:PRINTQual {DEFLT|NRMAL|FINE|DRAFT}

**Arguments** DEFLT for the default quality print.  
 NRMAL for a normal quality print.  
 FINE for a fine quality print.  
 DRAFT for a draft quality print.

**Examples** PICTBRIDGE:PRINTQUAL FINE sets the print quality to Fine.  
 PICTBRIDGE:PRINTQUAL? might return PICTBRIDGE:PRINTQUAL DEFLT indicating the default quality print.

## POWer:CURRENTSource

Sets or returns the current source for the power application.

**Conditions** This command requires a DPO4PWR application module.

**Group** Power

**Syntax** Power:CURRENTSource {CH1|CH2|CH3|CH4|REF1|REF2|REF3|REF4}  
 Power:CURRENTSource?

**Arguments** CH1–CH4 sets an analog channel as the current source.  
 REF1–REF4 sets a reference as the current source.

**Examples** POWER:CURRENTSOURCE CH1 sets the current source as CH1.  
 POWER:CURRENTSOURCE? might return POWER:CURRENTSOURCE CH2 indicating that CH2 is the current source.

## POWer:DISplay

Sets or returns the display state for the power application. This is the equivalent to pressing the **Test** button and then selecting the power application. The same control is provided for each application.

<b>Conditions</b>	This command requires a DPO4PWR application module.
<b>Group</b>	Power
<b>Syntax</b>	POWER:DISplay {OFF ON 0 1} POWER:DISplay?
<b>Arguments</b>	OFF or 0 turns off the display settings. ON or 1 turns on the display settings.
<b>Examples</b>	POWER:DISPLAY 1 turns on the display. POWER:DISPLAY? might return :POWER:DISPLAY 0 indicating that the display is off.

## POWer:GATESource

Sets or returns the gate source for the power application.

<b>Conditions</b>	This command requires a DPO4PWR application module.
<b>Group</b>	Power
<b>Syntax</b>	POWER:GATESource {CH1 CH2 CH3 CH4 REF1 REF2 REF3 REF4 NONE} POWER:GATESource?
<b>Arguments</b>	CH1–CH4 sets an analog channel as the gate source. REF1–REF4 sets a reference as the gate source. NONE is set when the gate source is not used in the application.

**Examples** `POWER:GATESOURCE CH1` sets the gated source as CH1.

`POWER:GATESOURCE?` might return `POWER:GATESOURCE CH2` indicating that CH2 is the gated source.

## POWER:GATing

Sets or returns the power application gating.

**Conditions** This command requires a DPO4PWR application module.

**Group** Power

**Syntax** `Power:GATing {OFF|SCREen|CURSOR}`  
`Power:GATing?`

**Arguments** `OFF` turns off measurement gating (full record).

`SCREen` turns on gating, using the left and right edges of the screen.

`CURSOR` limits measurements to the portion of the waveform between the vertical bar cursors, even if they are off screen.

**Examples** `POWER:GATING CURSOR` sets cursor gating on the oscilloscope.

`POWER:GATING?` might return `POWER:GATING OFF` indicating that gating is turned off on the oscilloscope.

## POWER:HARMonics:DISPlay:SElect

Sets or returns the harmonics to be displayed when the harmonics standard is NONE.

**Conditions** This command requires a DPO4PWR application module.

**Group** Power

**Syntax** `Power:HARMonics:DISPlay:SElect {ODD|EVEN|ALL}`  
`Power:HARMonics:DISPlay:SElect?`

- Arguments**    ODD to display only odd harmonics.  
                  EVEN to display only even harmonics.  
                  ALL to display both odd and even harmonics.
- Examples**     POWER:HARMONICS:DISPLAY:SELECT EVEN displays only even harmonics.  
                  POWER:HARMONICS:DISPLAY:SELECT? might return  
                  : POWER:HARMONICS:DISPLAY:SELECT ALL indicating that both odd and  
                  even harmonics are displayed.

## POWER:HARMONICS:DISPLAY:TYPE

Sets or returns the display type for harmonics tests.

- Conditions**    This command requires a DPO4PWR application module.
- Group**         Power
- Syntax**        POWER:HARMONICS:DISPLAY:TYPE {GRAPH|TABLE}  
                  POWER:HARMONICS:DISPLAY:TYPE?
- Arguments**    GRAPH displays harmonic tests results in graphical format.  
                  TABLE displays harmonic tests results in tabular format.
- Examples**     POWER:HARMONICS:DISPLAY:TYPE GRAPH sets the display type to graphical.  
                  POWER:HARMONICS:DISPLAY:TYPE? might return  
                  : POWER:HARMONICS:DISPLAY:TYPE TAB indicating that the display type is  
                  set to tabular.

## POWER:HARMONICS:FREQREF

Sets or returns the frequency reference used when the harmonic standard is None.

- Conditions**    This command requires a DPO4PWR application module.
- Group**         Power

<b>Syntax</b>	<pre>Power:HARMonics:FREQRef {VOLTage CURRENT HARMSOURce FIXEDFREQuency} Power:HARMonics:FREQRef?</pre>
<b>Arguments</b>	<p>VOLTage to use a voltage waveform as the frequency reference.</p> <p>CURRENT to use a current waveform as the frequency reference.</p> <p>HARMSOURce to use a harmonic source waveform as the frequency reference.</p> <p>FIXEDFREQuency to use a fixed frequency value instead of a waveform for the frequency reference.</p>
<b>Examples</b>	<p>POWER:HARMONICS:FREQREF VOLTage sets voltage source as the frequency reference.</p> <p>POWER:HARMONICS:FREQREF? might return :POWER:HARMONICS:FREQREF FIXEDFREQ indicating that the frequency reference is a fixed value.</p>

## POWER:HARMonics:FREQRef:FIXEDFREQValue

Sets or returns the frequency value when the :FREQRef selection is FIXEDFREQuency.

<b>Conditions</b>	This command requires a DPO4PWR application module.
<b>Group</b>	Power
<b>Syntax</b>	<pre>Power:HARMonics:FREQRef:FIXEDFREQValue &lt;NR3&gt; Power:HARMonics:FREQRef:FIXEDFREQValue?</pre>
<b>Arguments</b>	<NR3> is the fixed frequency value.
<b>Examples</b>	<p>POWER:HARMONICS:FREQREF:FIXEDFREQVALUE 100 sets the frequency to 100 Hz.</p> <p>POWER:HARMONICS:FREQREF:FIXEDFREQVALUE? might return :POWER:HARMonics:FREQREF:FIXEDFREQVALUE 60 indicating that the fixed frequency value is set to 60 Hz.</p>

## POWer:HARMonics:IEC:CLass

Sets or returns the equipment class for IEC harmonics.

**Conditions** This command requires a DPO4PWR application module.

**Group** Power

**Syntax** POWER:HARMonics:IEC:CLass {A|B|C1|C2|C3|D}  
POWER:HARMonics:IEC:CLass?

**Arguments** A specifies Class A Equipment.  
B specifies Class B Equipment.  
C1 specifies Class C Equipment that use Table 1 limits of the IEC standard.  
C2 specifies Class C Equipment that use Table 2 limits of the IEC standard.  
C3 specifies Class C Equipment that use Table 3 limits of the IEC standard.  
D specifies Class D Equipment.

**Examples** POWER:HARMONICS:IEC:CLASSB sets Equipment Class B for IEC harmonics.  
POWER:HARMONICS:IEC:CLASS? might return  
:POWER:HARMONICS:IEC:CLASS A indicating that the Equipment Class is A  
for IEC harmonics.

## POWer:HARMonics:IEC:FILter

Sets or returns the enabled state for filtering of IEC harmonics.

**Conditions** This command requires a DPO4PWR application module.

**Group** Power

**Syntax** POWER:HARMonics:IEC:FILter {OFF|ON|0|1}  
POWER:HARMonics:IEC:FILter?

**Arguments** ON or 1 enables filtering of IEC harmonics.  
OFF or 0 disables filtering of IEC harmonics.

**Examples**    `POWER:HARMONICS:IEC:FILTER OFF` disables filtering of IEC harmonics.

`POWER:HARMONICS:IEC:FILTER?` might return  
`:POWER:HARMONICS:IEC:FILTER 1` indicating that the IEC harmonics are filtered.

## POWER:HARMONICS:IEC:FUNDAMENTAL

Sets or returns the rated fundamental current for IEC harmonics. Valid values ranges from 0 to 16 in increments of 0.1. The unit is ampere.

**Conditions**    This command requires a DPO4PWR application module.

**Group**        Power

**Syntax**        `POWER:HARMONICS:IEC:FUNDAMENTAL <NR3>`  
`POWER:HARMONICS:IEC:FUNDAMENTAL?`

**Arguments**    `<NR3>` is the fundamental current in amperes.

**Examples**        `POWER:HARMONICS:IEC:FUNDAMENTAL 1` sets the fundamental current to 1.0000 A.

`POWER:HARMONICS:IEC:FUNDAMENTAL?` might return  
`:POWER:HARMONICS:IEC:FUNDAMENTAL 16` indicating that the fundamental current for IEC harmonics is set to 16.0000 A.

## POWER:HARMONICS:IEC:GROUPING

Sets or returns the enabled state for grouping of IEC harmonics.

**Conditions**    This command requires a DPO4PWR application module.

**Group**        Power

**Syntax**        `POWER:HARMONICS:IEC:GROUPING {OFF|ON|1|0}`  
`POWER:HARMONICS:IEC:GROUPING?`

- Arguments** ON or 1 enables grouping of IEC harmonics.  
OFF or 0 disables grouping of IEC harmonics.
- Examples** POWER:HARMONICS:IEC:GROUPING OFF disables grouping of IEC harmonics.  
POWER:HARMONICS:IEC:GROUPING? might return  
:POWER:HARMONICS:IEC:GROUPING 1 indicating that the grouping is enabled for IEC harmonics.

## POWER:HARMONICS:IEC:INPUTPOWER

Sets or returns the class D rated input power for IEC harmonics.

- Conditions** This command requires a DPO4PWR application module.
- Group** Power
- Syntax** POWER:HARMONICS:IEC:INPUTPOWER <NR3>  
POWER:HARMONICS:IEC:INPUTPOWER?
- Arguments** <NR3> is the class D input power. Valid values ranges from 0 to 600 in increments of 10. The unit of measure is watt.
- Examples** POWER:HARMONICS:IEC:INPUTPOWER 600 sets the class D input power to 600 W.  
POWER:HARMONICS:IEC:INPUTPOWER? might return  
:POWER:HARMONICS:IEC:INPUTPOWER 100 indicating that the class D input power is set to 100 W.

## POWER:HARMONICS:IEC:LINEFREQUENCY

Sets or returns the line frequency for the IEC standard.

- Conditions** This command requires a DPO4PWR application module.
- Group** Power



<b>Syntax</b>	<code>POWER:HARMONICS:IEC:LINEFREQUENCY &lt;NR3&gt;</code> <code>POWER:HARMONICS:IEC:LINEFREQUENCY?</code>
<b>Arguments</b>	<NR3> is the line frequency. The valid values are 50 and 60.
<b>Examples</b>	<code>POWER:HARMONICS:IEC:LINEFREQUENCY 50</code> sets the line frequency to 50 Hz. <code>POWER:HARMONICS:IEC:LINEFREQUENCY?</code> might return <code>:POWER:HARMONICS:IEC:LINEFREQUENCY 60</code> indicating that the line frequency value is set to 60 Hz.

## POWER:HARMONICS:IEC:OBSPERiod

Sets or returns the IEC observation period.

<b>Conditions</b>	This command requires a DPO4PWR application module.
<b>Group</b>	Power
<b>Syntax</b>	<code>POWER:HARMONICS:IEC:OBSPERiod &lt;NR3&gt;</code> <code>POWER:HARMONICS:IEC:OBSPERiod?</code>
<b>Arguments</b>	<NR3> is the IEC observation period. Valid values ranges from 0.2 to 10 s.
<b>Examples</b>	<code>POWER:HARMONICS:IEC:OBSPERIOD 3</code> sets the IEC observation period to 3.0000 s. <code>POWER:HARMONICS:IEC:OBSPERIOD?</code> might return <code>:POWER:HARMONICS:IEC:OBSPERIOD 10</code> indicating that the IEC observation period is set to 10 s.

## POWER:HARMONICS:IEC:POWERFACTOR

Sets or returns the rated power factor for IEC harmonics.

<b>Conditions</b>	This command requires a DPO4PWR application module.
<b>Group</b>	Power

**Syntax**     `POWER:HARMONics:IEC:POWERFACTOR <NR3>`  
`POWER:HARMONics:IEC:POWERFACTOR?`

**Arguments**     `<NR3>` is the power factor. Valid values ranges from 0 to 1 in increments of 0.1.

**Examples**     `POWER:HARMONICS:IEC:POWERFACTOR 1` sets the power factor to 1.0000.  
`POWER:HARMONICS:IEC:POWERFACTOR?` might return  
`:POWER:HARMONICS:IEC:POWERFACTOR 900.0000E-03` indicating  
that the power factor is set to 0.9.

## **POWER:HARMONics:MIL:FUNDamental:CALCmethod**

Sets or returns the measurement method for the MIL harmonics fundamental current for use in calculating limits.

**Conditions**     This command requires a DPO4PWR application module.

**Group**     Power

**Syntax**     `POWER:HARMONics:MIL:FUNDamental:CALCmethod {MEAS|USER}`  
`POWER:HARMONics:MIL:FUNDamental:CALCmethod?`

**Arguments**     `MEAS` specifies that the value of the fundamental current used in calculating limits is measured.  
`USER` specifies that the value of the fundamental current used in calculated limits is user defined.

**Examples**     `POWER:HARMONICS:MIL:FUNDAMENTAL:CALCMETHOD USER` sets the measurement method to User.  
`POWER:HARMONICS:MIL:FUNDAMENTAL:CALCMETHOD?` might return  
`:POWER:HARMONICS:MIL:FUNDAMENTAL:CALCMETHOD MEAS` indicating that the measurement method is set to Meas.

## **POWER:HARMONics:MIL:FUNDamental:USER:CURRent**

Sets or returns RMS amperes for USER CALCmethod.

**Conditions**     This command requires a DPO4PWR application module.

<b>Group</b>	Power
<b>Syntax</b>	POWER:HARMONICS:MIL:FUNDAMENTAL:USER:CURRENT <NR3> POWER:HARMONICS:MIL:FUNDAMENTAL:USER:CURRENT?
<b>Arguments</b>	<NR3> is the current in amperes for USER CALCmethod.
<b>Examples</b>	POWER:HARMONICS:MIL:FUNDAMENTAL:USER:CURRENT 2 sets the RMS fundamental current to 2 A in calculating limits.  POWER:HARMONICS:MIL:FUNDAMENTAL:USER:CURRENT? might return :POWER:HARMONICS:MIL:FUNDAMENTAL:USER:CURRENT 1.0000 indicating that the RMS fundamental current for use in calculating limits is 1.0000 A.

## POWER:HARMONICS:MIL:LINEFREQUENCY

Sets or returns the line frequency for MIL-STD-1399 harmonics tests. Valid values are 60 or 400 Hz.

<b>Conditions</b>	This command requires a DPO4PWR application module.
<b>Group</b>	Power
<b>Syntax</b>	POWER:HARMONICS:MIL:LINEFREQUENCY <NR3> POWER:HARMONICS:MIL:LINEFREQUENCY?
<b>Arguments</b>	<NR3> is the line frequency for MIL standard.
<b>Examples</b>	POWER:HARMONICS:MIL:LINEFREQUENCY 60 sets the MIL line frequency to 60 Hz.  POWER:HARMONICS:MIL:LINEFREQUENCY? might return :POWER:HARMONICS:MIL:LINEFREQUENCY 400 indicating that the MIL line frequency is set to 400 Hz.

## POWER:HARMONICS:MIL:POWERLEVEL

Sets or returns the power level for calculating limits for MIL-STD-1399 harmonics tests.

<b>Conditions</b>	This command requires a DPO4PWR application module.
<b>Group</b>	Power
<b>Syntax</b>	<code>POWER:HARMONICS:MIL:POWERLEVEL {LOW HIGH}</code> <code>POWER:HARMONICS:MIL:POWERLEVEL?</code>
<b>Arguments</b>	LOW specifies low power level for MIL-STD-1399 harmonics tests. HIGH specifies high power level for MIL-STD-1399 harmonics tests.
<b>Examples</b>	<code>POWER:HARMONICS:MIL:POWERLEVEL HIGH</code> sets the MIL power level to High. <code>POWER:HARMONICS:MIL:POWERLEVEL?</code> might return <code>:POWER:HARMONICS:MIL:POWERLEVEL LOW</code> indicating that the MIL power level is set to Low.

## **POWER:HARMONICS:NR\_HARMONICS**

Sets or returns the number of harmonics (value ranging from 20 to 400) when the harmonics standard is NONE.

<b>Conditions</b>	This command requires a DPO4PWR application module.
<b>Group</b>	Power
<b>Syntax</b>	<code>POWER:HARMONICS:NR_HARMONICS &lt;NR3&gt;</code> <code>POWER:HARMONICS:NR_HARMONICS?</code>
<b>Arguments</b>	<NR3> is the number of harmonics.
<b>Examples</b>	<code>POWER:HARMONICS:NR_HARMONICS 100</code> sets the number of harmonics to 100. <code>POWER:HARMONICS:NR_HARMONICS?</code> might return <code>:POWER:HARMONICS:NR_HARMONICS 40</code> indicating that the number of harmonics is set to 40.

## **POWER:HARMONICS:RESULTS:HAR<1-400>:FREQUENCY? (Query Only)**

Returns the frequency of the harmonic.

---

**NOTE.** *The command returns NA, if the current harmonic standard is set to a new standard other than the returned query.*

---

<b>Conditions</b>	This command requires a DPO4PWR application module.
<b>Group</b>	Power
<b>Syntax</b>	POWER:HARMONICS:RESULTS:HAR<1-400>:FREQUENCY?
<b>Examples</b>	POWER:HARMONICS:RESULTS:HAR400:FREQUENCY? might return :POWER:HARMONICS:RESULTS:HAR400:FREQUENCY 24000 indicating that the harmonic frequency is set to 24000.

## POWER:HARMONICS:RESULTS:HAR<1-400>:IECMAX? (Query Only)

The IEC Standard specifies harmonics measurements to be computed in time windows, with each time window being nominally 200 ms. This returns the maximum of the RMS magnitude of the harmonic, computed across successive 200 ms time windows within an observation period entered by the user.

---

**NOTE.** *The command returns NA, if the current harmonic standard is set to a new standard other than the returned query.*

---

<b>Conditions</b>	This command requires a DPO4PWR application module.
<b>Group</b>	Power
<b>Syntax</b>	POWER:HARMONICS:RESULTS:HAR<1-400>:IECMAX?
<b>Examples</b>	POWER:HARMONICS:RESULTS:HAR400:IECMAX? might return :POWER:HARMONICS:RESULTS:HAR400:IECMAX 1.0 indicating that the maximum value is 1.0 A for the 400th harmonic.

## POWER:HARMONICS:RESULTS:HAR<1-400>:LIMIT? (Query Only)

The IEC and MIL standards specify a limit for each harmonic magnitude. Returns the limit in absolute units, or as a percentage of the fundamental as specified by

the standard. IEC Class C (Table 2) and MIL standards specify the limit as a percentage of the fundamental.

<b>Conditions</b>	This command requires a DPO4PWR application module.
<b>Group</b>	Power
<b>Syntax</b>	<code>POWER:HARMONICS:RESULTS:HAR&lt;1-400&gt;:LIMIT?</code>
<b>Examples</b>	<code>POWER:HARMONICS:RESULTS:HAR3:LIMIT?</code> might return <code>:POWER:HARMONICS:RESULTS:HAR3:LIMIT 2.30</code> indicating that the harmonic magnitude limit for IEC standard for the 3rd harmonic is set to 2.30 A.

## **POWER:HARMONICS:RESULTS:HAR<1-400>:PHASE? (Query Only)**

Returns the phase of the harmonic in degrees. The phase is measured relative to the zero-crossing of the reference waveform. When there is no reference waveform, the phase is relative to the fundamental component.

<b>Conditions</b>	This command requires a DPO4PWR application module.
<b>Group</b>	Power
<b>Syntax</b>	<code>POWER:HARMONICS:RESULTS:HAR&lt;1-400&gt;:PHASE?</code>
<b>Examples</b>	<code>POWER:HARMONICS:RESULTS:HAR400:PHASE?</code> might return <code>:POWER:HARMONICS:RESULTS:HAR400:PHASE 0</code> indicating that the harmonic phase is set to 0 in degrees.

## **POWER:HARMONICS:RESULTS:HAR<1-400>:RMS:ABSOLUTE? (Query Only)**

Returns the RMS magnitude of the harmonic in absolute units.

<b>Conditions</b>	This command requires a DPO4PWR application module.
<b>Group</b>	Power

**Syntax** `Power:HARMonics:RESuLts:HAR<1-400>:RMS:ABSolute?`

**Examples** `POWER:HARMONICS:RESULTS:HAR400:RMS:ABSOLUTE?` might return  
`:POWER:HARMONICS:RESULTS:HAR400:RMS:ABSOLUTE 1.0` indicating that  
the RMS magnitude of the harmonic is set to 1.0 A.

## **POWer:HARMOncics:RESuLts:HAR<1-400>:RMS:PERCent? (Query Only)**

Returns the RMS magnitude of the harmonic expressed as a percentage of the fundamental.

**Conditions** This command requires a DPO4PWR application module.

**Group** Power

**Syntax** `Power:HARMonics:RESuLts:HAR<1-400>:RMS:PERCent?`

**Examples** `POWER:HARMONICS:RESULTS:HAR400:RMS:PERCENT?` might return  
`:POWER:HARMONICS:RESULTS:HAR400:RMS:PERCENT 33` indicating that the  
RMS magnitude of the harmonic is set to 33%.

## **POWer:HARMOncics:RESuLts:HAR<1-400>:TEST:IEC:CLASSALIMit? (Query Only)**

Specifies if the IEC Class A higher harmonic limit (and conditions) are met.

---

**NOTE.** *The command returns NA if the standard does not specify a limit or the equipment is not class A.*

---

**Conditions** This command requires a DPO4PWR application module.

**Group** Power

**Syntax** `Power:HARMonics:RESuLts:HAR<1-400>:TEST:IEC:CLASSALIMit?`

**Returns** PASS, FAIL, or NA.

## POWer:HARMonics:RESuLts:HAR<1-400>:TEST:IEC:NORMAL? (Query Only)

Specifies if the Normal IEC harmonic limits are met.

---

**NOTE.** *The command returns NA if the standard does not specify a limit.*

---

<b>Conditions</b>	This command requires a DPO4PWR application module.
<b>Group</b>	Power
<b>Syntax</b>	POWer:HARMonics:RESuLts:HAR<1-400>:TEST:IEC:NORMAL?
<b>Returns</b>	PASS, FAIL, or NA.

## POWer:HARMonics:RESuLts:HAR<1-400>:TEST:IEC:POHCLIMit? (Query Only)

Specifies if the higher harmonic limit (and conditions) for the 21st and higher order odd harmonics are met.

---

**NOTE.** *The command returns NA if the limit does not apply for a specific harmonic.*

---

<b>Conditions</b>	This command requires a DPO4PWR application module.
<b>Group</b>	Power
<b>Syntax</b>	POWer:HARMonics:RESuLts:HAR<1-400>:TEST:IEC:POHCLIMit?
<b>Returns</b>	PASS, FAIL, or NA.

## POWer:HARMonics:RESuLts:HAR<1-400>:TEST:MIL:NORMAL? (Query Only)

Returns the test result for the specified harmonic for the MIL-STD-1399 testing standard.

This query is analogous to that for the IEC 61000-3-2 standard  
[POWer:HARMonics:RESuLts:HAR<1-400>:TEST:IEC:NORMAL?](#) command.



**NOTE.** *The command returns NA if the standard does not specify a limit for the specific harmonic.*

- Conditions** This command requires a DPO4PWR application module.
- Group** Power
- Syntax** `POWER:HARMONICS:RESULTS:HAR<1-400>:TEST:MIL:NORMAL?`
- Returns** PASS, FAIL, or NA.

### POWER:HARMONICS:RESULTS:IEC:FUNDAMENTAL? (Query Only)

Returns the IEC fundamental current used in calculating limits.

- Conditions** This command requires a DPO4PWR application module.
- Group** Power
- Syntax** `POWER:HARMONICS:RESULTS:IEC:FUNDAMENTAL?`
- Examples** `POWER:HARMONICS:RESULTS:IEC:FUNDAMENTAL?` might return `:POWER:HARMONICS:RESULTS:IEC:FUNDAMENTAL 1.0` indicating that the IEC fundamental frequency is set to 1.0 A.

### POWER:HARMONICS:RESULTS:IEC:HARM3ALTERNATE? (Query Only)

Returns the IEC harmonics test result for the 3rd harmonic.

**NOTE.** *The command returns NA if the limit does not apply.*

- Conditions** This command requires a DPO4PWR application module.
- Group** Power
- Syntax** `POWER:HARMONICS:RESULTS:IEC:HARM3ALTERNATE?`

**Returns** PASS, FAIL, or NA.

**Examples** POWER:HARMONICS:RESULTS:IEC:HARM3ALTERNATE? might return  
POWER:HARMONICS:RESULTS:IEC:HARM3ALTERNATE PASS indicating the  
test result.

## POWER:HARMONICS:RESULTS:IEC:HARM5ALTERNATE? (Query Only)

Returns the overall harmonics test result for the 5th harmonic.

---

**NOTE.** *The command returns NA the harmonic limit does not apply.*

---

**Conditions** This command requires a DPO4PWR application module.

**Group** Power

**Syntax** POWER:HARMONICS:RESULTS:IEC:HARM5ALTERNATE?

**Returns** PASS, FAIL, or NA.

**Examples** POWER:HARMONICS:RESULTS:IEC:HARM5ALTERNATE? might return  
POWER:HARMONICS:RESULTS:IEC:HARM5ALTERNATE PASS indicating the  
test result.

## POWER:HARMONICS:RESULTS:IEC:POHC? (Query Only)

Returns the IEC POHC measurement.

**Conditions** This command requires a DPO4PWR application module.

**Group** Power

**Syntax** POWER:HARMONICS:RESULTS:IEC:POHC?

**Examples** POWER:HARMONICS:RESULTS:IEC:POHC? might return  
:POWER:HARMONICS:RESULTS:IEC:POHC 0.5 indicating that the  
IEC POHC is set to 0.5 A.

## POWer:HARMonics:RESuLts:IEC:POHL? (Query Only)

Returns the IEC POHL measurement.

**Conditions** This command requires a DPO4PWR application module.

**Group** Power

**Syntax** POWer:HARMonics:RESuLts:IEC:POHL?

**Examples** POWer:HARMonics:RESuLts:IEC:POHL? might return  
:POWer:HARMonics:RESuLts:IEC:POHL 0.5 indicating that the  
IEC POHL is set to 0.5 A.

## POWer:HARMonics:RESuLts:IEC:POWer? (Query Only)

Returns the IEC input power that is used to calculate limits.

**Conditions** This command requires a DPO4PWR application module.

**Group** Power

**Syntax** POWer:HARMonics:RESuLts:IEC:POWer?

**Examples** POWer:HARMonics:RESuLts:IEC:POWer? might return  
:POWer:HARMonics:RESuLts:IEC:POWer 5 indicating that the  
IEC power is set to 5 W.

## POWer:HARMonics:RESuLts:IEC:POWerFactor? (Query Only)

Returns the IEC power factor measurement.

**Conditions** This command requires a DPO4PWR application module.

**Group** Power

**Syntax** POWer:HARMonics:RESuLts:IEC:POWerFactor?

**Examples** POWER:HARMONICS:RESULTS:IEC:POWERFACTOR? might return  
:POWER:HARMONICS:RESULTS:IEC:POWERFACTOR 9.1900E+37 indicating  
that the IEC power factor is set to 9.1900E+37.

## POWer:HARMOncics:RESuLts:PASSFail? (Query Only)

Returns the overall harmonics test result: PASS, FAIL or NA.

**Conditions** This command requires a DPO4PWR application module.

**Group** Power

**Syntax** POWer:HARMOncics:RESuLts:PASSFail?

**Examples** POWER:HARMONICS:RESULTS:PASSFAIL? might return  
:POWER:HARMONICS:RESULTS:PASSFAIL PASS indicating that the  
harmonics test passed.

## POWer:HARMOncics:RESuLts:RMS? (Query Only)

Returns the root mean square value of the harmonics source waveform.

**Conditions** This command requires a DPO4PWR application module.

**Group** Power

**Syntax** POWer:HARMOncics:RESuLts:RMS?

**Examples** POWER:HARMONICS:RESULTS:RMS? might return  
:POWER:HARMONICS:RESULTS:RMS 1.0 indicating that the harmonics source  
waveform RMS is set to 1.0.

## POWer:HARMOncics:RESuLts:SAVe (No Query Form)

Saves the harmonic results to the specified file in CSV format.

**Conditions** This command requires a DPO4PWR application module.

<b>Group</b>	Power
<b>Syntax</b>	POWER:HARMONICS:RESULTS:SAVE <String>

## POWER:HARMONICS:RESULTS:THDF? (Query Only)

Returns the Total Harmonic Distortion (THD) in percentage, measured as a ratio to the RMS value of the fundamental component of the source waveform.

**Conditions** This command requires a DPO4PWR application module.

**Group** Power

**Syntax** POWER:HARMONICS:RESULTS:THDF?

**Examples** POWER:HARMONICS:RESULTS:THDF? might return  
:POWER:HARMONICS:RESULTS:THDF 40 indicating that the THDF is set to 40.

## POWER:HARMONICS:RESULTS:THDR? (Query Only)

Returns the Total Harmonic Distortion (THD) in percentage, measured as a ratio to the RMS value of the source waveform.

**Conditions** This command requires a DPO4PWR application module.

**Group** Power

**Syntax** POWER:HARMONICS:RESULTS:THDR?

**Examples** POWER:HARMONICS:RESULTS:THDR? might return  
:POWER:HARMONICS:RESULTS:THDR 40 indicating that the THDR is set to 40.

## POWER:HARMONICS:SOURce

Sets or returns the source waveform for harmonics tests. The voltage source waveform is specified using the [POWER:VOLTAGESource](#) command and the current waveform is specified using the [POWER:CURRENTSource](#) command.

<b>Conditions</b>	This command requires a DPO4PWR application module.
<b>Group</b>	Power
<b>Syntax</b>	<code>POWER:HARMONICS:SOURCE {VOLTage CURRENT}</code> <code>POWER:HARMONICS:SOURCE?</code>
<b>Arguments</b>	<code>VOLTage</code> specifies voltage source waveform for harmonic tests. <code>CURRENT</code> specifies current source waveform for harmonic tests.
<b>Examples</b>	<code>POWER:HARMONICS:SOURCE VOLTage</code> sets voltage source for harmonic tests. <code>POWER:HARMONICS:SOURCE?</code> might return <code>:POWER:HARMONICS:SOURCE CURRENT</code> indicating that the harmonic source is set to current.

## POWER:HARMONICS:STANDARD

Sets or returns the standard for harmonics tests.

<b>Conditions</b>	This command requires a DPO4PWR application module.
<b>Group</b>	Power
<b>Syntax</b>	<code>POWER:HARMONICS:STANDARD {NONE IEC MIL}</code> <code>POWER:HARMONICS:STANDARD?</code>
<b>Arguments</b>	<code>NONE</code> sets no standard for harmonic tests. <code>IEC</code> sets IEC 610003-2 standard for harmonic tests. <code>MIL</code> sets MIL1399 standard for harmonic tests.
<b>Examples</b>	<code>POWER:HARMONICS:STANDARD IEC</code> sets IEC standard for harmonic tests. <code>POWER:HARMONICS:STANDARD?</code> might return <code>:POWER:HARMONICS:STANDARD NONE</code> indicating that no standard is set.

## POWER:INDICATORS

Sets or returns the state of the measurement indicators for the power application.

<b>Conditions</b>	This command requires a DPO4PWR application module.
<b>Group</b>	Power
<b>Syntax</b>	POWER:INDICATORS {OFF ON 0 1} POWER:INDICATORS?
<b>Arguments</b>	OFF or 0 turns off the measurement indicators. ON or 1 turns on the measurement indicators.
<b>Examples</b>	POWER:INDICATORS 1 turns on the indicator. POWER:INDICATORS? might return :POWER:INDICATORS 0 indicating that the indicator is off.

## POWER:MODulation:SOURCE

Sets or returns the source waveform for modulation tests. The voltage source waveform is specified using the [POWER:VOLTAGESource](#) command and the current waveform is specified using the [POWER:CURRENTSource](#) command.

<b>Conditions</b>	This command requires a DPO4PWR application module.
<b>Group</b>	Power
<b>Syntax</b>	POWER:MODulation:SOURCE {VOLTage CURRENT} POWER:MODulation:SOURCE?
<b>Arguments</b>	VOLTage specifies voltage source waveform for modulation tests. CURRENT specifies current source waveform for modulation tests.
<b>Examples</b>	POWER:MODULATION:SOURCE CURRENT sets the modulation source to Current. POWER:MODULATION:SOURCE? might return :POWER:MODULATION:SOURCE VOLT indicating that the modulation source is set to Voltage.

## POWER:MODulation:TYPE

Sets or returns the modulation type.

**Conditions** This command requires a DPO4PWR application module.

**Group** Power

**Syntax** POWER:MODulation:TYPE  
 {PWidth|NWidth|PERIOD|PDuty|NDuty|FREQUENCY}  
 POWER:MODulation:TYPE?

**Arguments** PWidth (positive width) is the distance (time) between the middle reference (default = 50%) amplitude points of a positive pulse. The measurement is made on all the cycles in the waveform or gated region.

NWidth (negative width) measurement is the distance (time) between the middle reference (default = 50%) amplitude points of a negative pulse. The measurement is made on all the cycles in the waveform or gated region.

PERIOD is the time required to complete the first cycle in a waveform or the gated region. The time is measured between the mid reference (default being 50%) amplitude points of the waveform.

PDuty (positive duty cycle) is the ratio of the positive pulse width to the signal period, expressed as a percentage. It is measured on all the cycles in the waveform or gated region.

$$\text{Positive Duty Cycle} = ((\text{Positive Width}) / \text{Period}) \times 100\%$$

NDuty (negative duty cycle) is the ratio of the negative pulse width to the signal period, expressed as a percentage. The duty cycle is measured on all the cycles in the waveform or gated region.

$$\text{Negative Duty Cycle} = ((\text{Negative Width}) / \text{Period}) \times 100\%$$

FREQUENCY measures all the cycles in the waveform or gated region. Frequency is the reciprocal of the period and is measured in hertz (Hz), where 1 Hz = 1 cycle per second.

$$\text{Frequency} = 1 / \text{Period}$$

**Examples** POWER:MODULATION:TYPE NWIDTH sets the modulation type to Negative Width.

POWER:MODULATION:TYPE? might return :POWER:MODULATION:TYPE PWI indicating that the modulation type is set to Positive Width.



## POWER:QUALity:APPpwr? (Query Only)

Returns the apparent power measurement.

**Conditions** This command requires a DPO4PWR application module.

**Group** Power

**Syntax** POWER:QUALity:APPpwr?

**Examples** POWER:QUALITY:APPpwr? might return :POWER:QUALITY:APPpwr 100 indicating that the apparent power value is set to 100 VA.

## POWER:QUALity:DISplay:APPpwr

Sets or returns the display state for the apparent power readout.

**Conditions** This command requires a DPO4PWR application module.

**Group** Power

**Syntax** POWER:QUALity:DISplay:APPpwr {OFF|ON|0|1}  
POWER:QUALity:DISplay:APPpwr?

**Arguments** OFF or 0 turns off the apparent power display.  
ON or 1 turns on the apparent power display.

**Examples** POWER:QUALITY:DISPLAY:APPpwr 1 turns on the apparent power display.  
POWER:QUALITY:DISPLAY:APPpwr? might return  
:POWER:QUALITY:DISPLAY:APPpwr 0 indicating that the apparent power display is off.

## POWER:QUALity:DISplay:FREquency

Sets or returns the display state for the frequency readout.

**Conditions** This command requires a DPO4PWR application module.

<b>Group</b>	Power
<b>Syntax</b>	<code>Power:QUALity:DISPlay:FREQuency {OFF ON 0 1}</code> <code>Power:QUALity:DISPlay:FREQuency?</code>
<b>Arguments</b>	OFF or 0 turns off the frequency display. ON or 1 turns on the frequency display.
<b>Examples</b>	<code>POWER:QUALITY:DISPLAY:FREQUENCY 1</code> turns on the frequency readout display. <code>POWER:QUALITY:DISPLAY:FREQUENCY?</code> might return <code>:POWER:QUALITY:DISPLAY:FREQUENCY 0</code> indicating that the frequency readout display is off.

## **POWER:QUALity:DISPlay:ICRESTfactor**

Sets or returns the display state for the current crest factor readout.

<b>Conditions</b>	This command requires a DPO4PWR application module.
<b>Group</b>	Power
<b>Syntax</b>	<code>Power:QUALity:DISPlay:ICRESTfactor {OFF ON 0 1}</code> <code>Power:QUALity:DISPlay:ICRESTfactor?</code>
<b>Arguments</b>	OFF or 0 turns off the current crest factor display. ON or 1 turns on the current crest factor display.
<b>Examples</b>	<code>POWER:QUALITY:DISPLAY:ICRESTFACTOR 1</code> turns on the current crest factor display. <code>POWER:QUALITY:DISPLAY:ICRESTFACTOR?</code> might return <code>:POWER:QUALITY:DISPLAY:ICRESTFACTOR 0</code> indicating that the current crest factor display is off.

## **POWER:QUALity:DISPlay:IRMS**

Sets or returns the display state for the rms current readout.

<b>Conditions</b>	This command requires a DPO4PWR application module.
<b>Group</b>	Power
<b>Syntax</b>	POWER:QUALITY:DISPlay:IRMS {OFF ON 0 1} POWER:QUALITY:DISPlay:IRMS?
<b>Arguments</b>	OFF or 0 turns off the rms current display. ON or 1 turns on the rms current display.
<b>Examples</b>	POWER:QUALITY:DISPLAY:IRMS 1 turns on the rms current display. POWER:QUALITY:DISPLAY:IRMS? might return :POWER:QUALITY:DISPLAY:IRMS 0 indicating that the rms current display is off.

## POWER:QUALITY:DISPlay:PHASEangle

Sets or returns the display state for the phase angle readout.

<b>Conditions</b>	This command requires a DPO4PWR application module.
<b>Group</b>	Power
<b>Syntax</b>	POWER:QUALITY:DISPlay:PHASEangle {OFF ON 0 1} POWER:QUALITY:DISPlay:PHASEangle?
<b>Arguments</b>	OFF or 0 turns off the phase angle display. ON or 1 turns on the phase angle display.
<b>Examples</b>	POWER:QUALITY:DISPLAY:PHASEANGLE 1 turns on the phase angle display. POWER:QUALITY:DISPLAY:PHASEANGLE? might return :POWER:QUALITY:DISPLAY:PHASEANGLE 0 indicating that the phase angle display is off.

## POWER:QUALITY:DISPlay:POWERFACTOR

Sets or returns the display state for the power factor readout.

<b>Conditions</b>	This command requires a DPO4PWR application module.
<b>Group</b>	Power
<b>Syntax</b>	<code>POWER:QUALITY:DISPlay:POWERFACTOR {OFF ON 0 1}</code> <code>POWER:QUALITY:DISPlay:POWERFACTOR?</code>
<b>Arguments</b>	OFF or 0 turns off the power factor display. ON or 1 turns on the power factor display.
<b>Examples</b>	<code>POWER:QUALITY:DISPLAY:POWERFACTOR 1</code> turns on the power factor display. <code>POWER:QUALITY:DISPLAY:POWERFACTOR?</code> might return <code>:POWER:QUALITY:DISPLAY:POWERFACTOR 0</code> indicating that the power factor display is off.

## **POWER:QUALITY:DISPlay:REACTpwr**

Sets or returns the display state for the reactor power readout.

<b>Conditions</b>	This command requires a DPO4PWR application module.
<b>Group</b>	Power
<b>Syntax</b>	<code>POWER:QUALITY:DISPlay:REACTpwr {OFF ON 0 1}</code> <code>POWER:QUALITY:DISPlay:REACTpwr?</code>
<b>Arguments</b>	OFF or 0 turns off the reactor power display. ON or 1 turns on the reactor power display.
<b>Examples</b>	<code>POWER:QUALITY:DISPLAY:REACTPWR 1</code> turns on the reactor power display. <code>POWER:QUALITY:DISPLAY:REACTPWR?</code> might return <code>:POWER:QUALITY:DISPLAY:REACTPWR 0</code> indicating that the reactor power display is off.

## POWER:QUALITY:DISplay:TRUEpwr

Sets or returns the display state for the true power readout.

**Conditions** This command requires a DPO4PWR application module.

**Group** Power

**Syntax** POWER:QUALITY:DISplay:TRUEpwr {OFF|ON|0|1}  
POWER:QUALITY:DISplay:TRUEpwr?

**Arguments** OFF or 0 turns off the true power display.  
ON or 1 turns on the true power display.

**Examples** POWER:QUALITY:DISPLAY:TRUEPWR 1 turns on the true power display.  
POWER:QUALITY:DISPLAY:TRUEPWR? might return  
:POWER:QUALITY:DISPLAY:TRUEPWR 0 indicating that the true power display is off.

## POWER:QUALITY:DISplay:VCRESTfactor

Sets or returns the display state for the voltage crest factor readout.

**Conditions** This command requires a DPO4PWR application module.

**Group** Power

**Syntax** POWER:QUALITY:DISplay:VCRESTfactor {OFF|ON|0|1}  
POWER:QUALITY:DISplay:VCRESTfactor?

**Arguments** OFF or 0 turns off the voltage crest factor display.  
ON or 1 turns on the voltage crest factor display.

**Examples** POWER:QUALITY:DISPLAY:VCRESTFACTOR 1 turns on the voltage crest factor display.

POWER:QUALITY:DISPLAY:VCRESTFACTOR? might return  
:POWER:QUALITY:DISPLAY:VCRESTFACTOR 0 indicating that the  
voltage crest factor display is off.

## POWer:QUALity:DISPlay:VRMS

Sets or returns the display state for the rms voltage readout.

<b>Conditions</b>	This command requires a DPO4PWR application module.
<b>Group</b>	Power
<b>Syntax</b>	POWER:QUALity:DISPlay:VRMS {OFF ON 0 1} POWER:QUALity:DISPlay:VRMS?
<b>Arguments</b>	OFF or 0 turns off the rms voltage display. ON or 1 turns on the rms voltage display.
<b>Examples</b>	POWER:QUALITY:DISPLAY:VRMS0 turns off the rms voltage display. POWER:QUALITY:DISPLAY:VRMS? might return :POWER:QUALITY:DISPLAY:VRMS 1 indicating that the rms voltage display is on.

## POWer:QUALity:FREQREference

Sets or returns the power quality frequency reference.

<b>Conditions</b>	This command requires a DPO4PWR application module.
<b>Group</b>	Power
<b>Syntax</b>	POWER:QUALity:FREQREference {VOLTage CURRENT} POWER:QUALity:FREQREference?
<b>Arguments</b>	VOLTage sets voltage as the power quality frequency reference source. CURRENT sets current as the power quality frequency reference source.

- Examples**    `POWER:QUALITY:FREQREFERENCE CURRENT` sets current as the power quality frequency reference source.
- `POWER:QUALITY:FREQREFERENCE?` might return  
`:POWER:QUALITY:FREQREFERENCE VOLTAGE` indicating that the power quality frequency reference source is set to Voltage.

## POWER:QUALity:FREQuency? (Query Only)

Returns the frequency measurement.

- Conditions**    This command requires a DPO4PWR application module.

**Group**    Power

**Syntax**    `POWER:QUALity:FREQuency?`

- Examples**    `POWER:QUALITY:FREQUENCY?` might return `:POWER:QUALITY:FREQUENCY 60` indicating that the frequency is set to 60 Hz.

## POWER:QUALity:ICRESTfactor? (Query Only)

Returns the current crest factor measurement.

- Conditions**    This command requires a DPO4PWR application module.

**Group**    Power

**Syntax**    `POWER:QUALity:ICRESTfactor?`

- Examples**    `POWER:QUALITY:ICRESTFACTOR?` might return  
`:POWER:QUALITY:ICRESTfactor 1.4` indicating that the current crest factor value is set to 1.4.

## POWER:QUALity:IRMS? (Query Only)

Returns the RMS current measurement.

<b>Conditions</b>	This command requires a DPO4PWR application module.
<b>Group</b>	Power
<b>Syntax</b>	POWER:QUALITY:IRMS?
<b>Examples</b>	POWER:QUALITY:IRMS? might return :POWER:QUALITY:IRMS 1.00 indicating that the RMS current value is set to 1.00 A.

### POWER:QUALITY:PHASEangle? (Query Only)

Returns the phase angle measurement.

<b>Conditions</b>	This command requires a DPO4PWR application module.
<b>Group</b>	Power
<b>Syntax</b>	POWER:QUALITY:PHASEangle?
<b>Examples</b>	POWER:QUALITY:PHASEANGLE? might return :POWER:QUALITY:PHASEANGLE 0 indicating that the phase angle is set to 0.

### POWER:QUALITY:POWERFACTOR? (Query Only)

Returns the power factor measurement.

<b>Conditions</b>	This command requires a DPO4PWR application module.
<b>Group</b>	Power
<b>Syntax</b>	POWER:QUALITY:POWERFACTOR?
<b>Examples</b>	POWER:QUALITY:POWERFACTOR? might return :POWER:QUALITY:POWERFACTOR 1.0 indicating that the power factor is set to 1.0.



## POWer:QUALity:REACTpwr? (Query Only)

Returns the reactive power measurement.

**Conditions** This command requires a DPO4PWR application module.

**Group** Power

**Syntax** POWer:QUALity:REACTpwr?

**Examples** POWer:QUALity:REACTPWR? might return :POWER:QUALITY:REACTpwr 100 indicating that the reactor power value is set to 100 VAR.

## POWer:QUALity:TRUEpwr? (Query Only)

Returns the true power measurement.

**Conditions** This command requires a DPO4PWR application module.

**Group** Power

**Syntax** POWer:QUALity:TRUEpwr?

**Examples** POWer:QUALity:TRUEPWR? might return :POWER:QUALITY:TRUEpwr 1000 w indicating that the true power value is set to 1000 W.

## POWer:QUALity:VRMS? (Query Only)

Returns the RMS voltage measurement.

**Conditions** This command requires a DPO4PWR application module.

**Group** Power

**Syntax** POWer:QUALity:VRMS?

**Examples** POWER:QUALITY:VRMS? might return :POWER:QUALITY:VRMS 115 indicating that the rms voltage value is set to 115 V.

## POWER:REFLevel:ABSolute (No Query Form)

Sets the reference levels to their default unit values.

**Conditions** This command requires a DPO4PWR application module.

**Group** Power

**Syntax** POWER:REFLevel:ABSolute {SETTODEFau1ts}

**Arguments** SETTODEFau1ts sets the reference levels to their default values.

## POWER:REFLevel:ABSolute:HIGH

Sets or returns the top reference level for power measurements.

**Conditions** This command requires a DPO4PWR application module.

**Group** Power

**Syntax** POWER:REFLevel:ABSolute:HIGH <NR3>; Ranges={D,-1e6,+1E6}  
POWER:REFLevel:ABSolute:HIGH?

**Arguments** <NR3> is the absolute high value in volts. Default value is 0.0E+0

**Examples** POWER:REFLEVEL:ABSOLUTE:HIGH 2 sets the absolute high value to 2.000.  
POWER:REFLEVEL:ABSOLUTE:HIGH? might return  
POWER:REFLEVEL:ABSOLUTE:HIGH 2 indicating that the absolute high value is set to 2 V.

## POWER:REFLevel:ABSolute:LOW

Sets or returns the low reference level for power measurements.

<b>Conditions</b>	This command requires a DPO4PWR application module.
<b>Group</b>	Power
<b>Syntax</b>	POWER:REFLevel:ABSolute:LOW <NR3>; Ranges={D,-1e6,+1E6} POWER:REFLevel:ABSolute:LOW?
<b>Arguments</b>	<NR3> is the absolute low value in volts. Default value is 0.0E+0.
<b>Examples</b>	POWER:REFLEVEL:ABSOLUTE:LOW 1.0 sets the absolute high value to 1.0000. POWER:REFLEVEL:ABSOLUTE:LOW? might return POWER:REFLEVEL:ABSOLUTE:LOW 1.0000 indicating that the absolute low value is set to 1 V.

## POWER:REFLevel:ABSolute:MID<1-3>

Sets or returns the mid reference level for measurements. MID3 is specific to the power application.

<b>Conditions</b>	This command requires a DPO4PWR application module.
<b>Group</b>	Power
<b>Syntax</b>	POWER:REFLevel:ABSolute:MID<1-3> <NR3>; Ranges={D,-1e6,+1E6} POWER:REFLevel:ABSolute:MID<1-3>?
<b>Arguments</b>	<NR3> is the absolute mid reference value.
<b>Examples</b>	POWER:REFLEVEL:ABSOLUTE:MID1 1 sets the mid reference voltage to 1V. POWER:REFLEVEL:ABSOLUTE:MID1? might return POWER:REFLEVEL:ABSOLUTE:MID1 0.0E+0 indicating that the absolute reference voltage level is set to 0.0E+0 V.

## POWER:REFLevel:HYSTeresis

Sets or returns the measurement reference level hysteresis value.

<b>Conditions</b>	This command requires a DPO4PWR application module.
<b>Group</b>	Power
<b>Syntax</b>	POWER:REFLevel:HYSTeresis <NR3> POWER:REFLevel:HYSTeresis?
<b>Arguments</b>	<NR3> is the hysteresis value.
<b>Examples</b>	POWER:REFLEVEL:HYSTERESIS 30 sets the hysteresis value to 30.  POWER:REFLEVEL:HYSTERESIS? might return POWER:REFLEVEL:HYSTERESIS 10 indicating that the hysteresis value is set to 10.

## POWER:REFLevel:METHOD

Sets or returns the method used to calculate the 0% and 100% reference level.

<b>Conditions</b>	This command requires a DPO4PWR application module.
<b>Group</b>	Power
<b>Syntax</b>	POWER:REFLevel:METHOD {ABSolute PERCent} POWER:REFLevel:METHOD?
<b>Arguments</b>	ABSolute specifies that the reference levels are set explicitly using the MEASUREMENT:REFLevel:ABSolute commands. This method is useful when precise values are required.  PERCent specifies that the reference levels are calculated as a percent of the signal amplitude. The percentages are defined using the MEASUREMENT:REFLevel:PERCent commands.
<b>Examples</b>	POWER:REFLEVEL:METHOD ABSOLUTE specifies that explicit user-defined values are used for the reference levels.  POWER:REFLEVEL:METHOD? might return POWER:REFLEVEL:METHOD PERCENT indicating that the reference level units used are calculated as a percent relative to HIGH and LOW.

## POWer:REFLevel:PERCent (No Query Form)

Sets the reference levels to the default percentage values.

**Conditions** This command requires a DPO4PWR application module.

**Group** Power

**Syntax** `POWer:REFLevel:PERCent <SETTODEFau1ts>`

**Arguments** `SETTODEFau1ts` sets the reference levels to their default percentage values.

## POWer:REFLevel:PERCent:HIGH

Sets or returns the top reference percent level for power measurements.

**Conditions** This command requires a DPO4PWR application module.

**Group** Power

**Syntax** `POWer:REFLevel:PERCent:HIGH <NR3>; Ranges={D,0.0,100.0}`  
`POWer:REFLevel:PERCent:HIGH?`

**Arguments** `<NR3>` is the high value in percent.

**Examples** `POWer:REFLEVEL:PERCENT:HIGH 95` sets the high reference level to 95% of the signal amplitude.

`POWer:REFLEVEL:PERCENT:HIGH?` might return  
`:POWer:REFLEVEL:PERCENT:HIGH 90` indicating that the percentage high reference level is set to 90% of the signal amplitude.

## POWer:REFLevel:PERCent:LOW

Sets or returns the low reference percent level for power measurements.

**Conditions** This command requires a DPO4PWR application module.

<b>Group</b>	Power
<b>Syntax</b>	POWER:REFLevel:PERCENT:LOW <NR3>; Ranges={D,0.0,100.0} POWER:REFLevel:PERCENT:LOW?
<b>Arguments</b>	<NR3> is the low value in percentage.
<b>Examples</b>	POWER:REFLEVEL:PERCENT:LOW 15 sets the low reference level to 15% of the signal amplitude.  POWER:REFLEVEL:PERCENT:LOW? might return :POWER:REFLEVEL:PERCENT:LOW 10 indicating that the percentage low reference level is set to 90% of the signal amplitude.

## POWER:REFLevel:PERCent:MID<1-3>

Sets or returns the mid reference percent level for waveform measurements. Mid3 is specific to the power application.

<b>Conditions</b>	This command requires a DPO4PWR application module.
<b>Group</b>	Power
<b>Syntax</b>	POWER:REFLevel:PERCENT:MID<1-3> <NR3>; Ranges={D,0.0,100.0} POWER:REFLevel:PERCENT:MID<1-3>?
<b>Arguments</b>	<NR3> is the mid value in percentage.
<b>Examples</b>	POWER:REFLEVEL:PERCENT:MID1 25 sets the mid reference voltage to 25%.  POWER:REFLEVEL:PERCENT:MID1? might return POWER:REFLEVEL:PERCENT:MID1 50.0000 indicating that the mid reference voltage level is set to 50%.

## POWER:RIPPlE (No Query Form)

Does a vertical autose for ripple measurements or sets the vertical offset to 0.

<b>Conditions</b>	This command requires a DPO4PWR application module.
-------------------	---

<b>Group</b>	Power
<b>Syntax</b>	<code>POWER:RIPPLE {VERTAUTOset VERTDEFault}</code>
<b>Arguments</b>	<p><code>VERTAUTOset</code> automatically scales the source waveform to optimize ripple measurements.</p> <p><code>VERTDEFault</code> sets the vertical offset of the source waveform to 0 volts (for voltage source) or 0 amperes (for current source).</p>

## POWER:RIPPLE:RESULTS:AMPLITUDE? (Query Only)

Returns the peak-to-peak ripple measurement.

**Conditions** This command requires a DPO4PWR application module.

**Group** Power

**Syntax** `POWER:RIPPLE:RESULTS:AMPLITUDE?`

**Examples** `POWER:RIPPLE:RESULTS:AMPLITUDE?` might return `:POWER:RIPPLE:RESULTS:AMPLITUDE 1` indicating that the peak-to-peak amplitude is set to 1 V.

## POWER:RIPPLE:RESULTS:MAX? (Query Only)

Returns the maximum of the peak-to-peak ripple measurements.

**Conditions** This command requires a DPO4PWR application module.

**Group** Power

**Syntax** `POWER:RIPPLE:RESULTS:MAX?`

**Examples** `POWER:RIPPLE:RESULTS:MAX?` might return `:POWER:RIPPLE:RESULTS:MAX 1.1` indicating that the maximum peak-to-peak amplitude is set to 1.1 V.

## POWer:RIPPLe:RESuLts:MEAN? (Query Only)

Returns the mean of the peak-to-peak ripple measurements.

**Conditions** This command requires a DPO4PWR application module.

**Group** Power

**Syntax** POWer:RIPPLe:RESuLts:MEAN?

**Examples** POWer:RIPPLe:RESuLts:MEAN? might return  
:POWer:RIPPLe:RESuLts:MEAN 1.0 indicating that the mean peak-to-peak  
amplitude is set to 1.0 V.

## POWer:RIPPLe:RESuLts:MIN? (Query Only)

Returns the minimum of the peak-to-peak ripple measurement.

**Conditions** This command requires a DPO4PWR application module.

**Group** Power

**Syntax** POWer:RIPPLe:RESuLts:MIN?

**Examples** POWer:RIPPLe:RESuLts:MIN? might return :POWer:RIPPLe:RESuLts:MIN  
0.9 indicating that the minimum peak-to-peak amplitude is set to 0.9 V.

## POWer:RIPPLe:RESuLts:STDdev? (Query Only)

Returns the standard deviation of the peak-to-peak ripple measurements.

**Conditions** This command requires a DPO4PWR application module.

**Group** Power

**Syntax** POWer:RIPPLe:RESuLts:STDdev?



**Examples** POWER:RIPPLE:RESULTS:STDDEV? might return  
:POWER:RIPPLE:RESULTS:STDDEV 0.14 indicating that the standard deviation of the peak-to-peak amplitude is set to 0.14.

## POWer:RIPPlE:SOUrce

Sets or returns the source waveform for ripple tests. The voltage source waveform is specified using the [POWer:VOLTAGESource](#) command and the current waveform is specified using the [POWer:CURRENTSource](#) command.

**Conditions** This command requires a DPO4PWR application module.

**Group** Power

**Syntax** POWER:RIPPlE:SOUrce {VOLTage|CURRent}

**Arguments** VOLTage specifies voltage source waveform for ripple tests.  
CURRent specifies current source waveform for ripple tests.

**Examples** POWER:RIPPLE:SOURCE CURRent sets the ripple source to Current.  
POWER:RIPPLE:SOURCE? might return :POWER:RIPPLE:SOURCE VOLT indicating that the ripple source is set to Voltage.

## POWer:SOA:LINear:XMAX

Sets or returns the user XMAX value for use in linear SOA calculations.

**Conditions** This command requires a DPO4PWR application module.

**Group** Power

**Syntax** POWER:SOA:LINear:XMAX <NR3>  
POWER:SOA:LINear:XMAX?

**Arguments** <NR3> is the XMAX value used for linear SOA calculations.

**Examples**     `POWER:SOA:LINEAR:XMAX 700` sets the XMAX value to 700.0000.  
`POWER:SOA:LINEAR:XMAX ?` might return `:POWER:SOA:LINEar:XMAX 500.0000` indicating that the XMAX value for linear plot type is set to 500.0000.

## **POWer:SOA:LINear:XMIN**

Sets or returns the user XMIN value for use in linear SOA calculations.

**Conditions**     This command requires a DPO4PWR application module.

**Group**     Power

**Syntax**     `Power:SOA:LINEar:XMIN <NR3>`  
`Power:SOA:LINEar:XMIN?`

**Arguments**     <NR3> is the XMIN value used for linear SOA calculations.

**Examples**     `POWER:SOA:LINEAR:XMIN 2` sets the XMIN value to 2.0000.  
`POWER:SOA:LINEAR:XMIN ?` might return `:POWER:SOA:LINEar:XMIN 0.0E+0` indicating that the XMIN value for linear plot type is set to 0.0E+0.

## **POWer:SOA:LINear:YMAX**

Sets or returns the user YMAX value for use in linear SOA calculations.

**Conditions**     This command requires a DPO4PWR application module.

**Group**     Power

**Syntax**     `Power:SOA:LINEar:YMAX <NR3>`  
`Power:SOA:LINEar:YMAX?`

**Arguments**     <NR3> is the YMAX value used for linear SOA calculations.

**Examples** POWER:SOA:LINEAR:YMAX 700 sets the YMAX value to 700.0000.  
POWER:SOA:LINEAR:YMAX ? might return :POWER:SOA:LINEar:YMAX  
50.0000 indicating that the YMAX value for linear plot type is set to 50.0000.

## POWER:SOA:LINEar:YMIN

Sets or returns the user YMIN value for use in linear SOA calculations.

**Conditions** This command requires a DPO4PWR application module.

**Group** Power

**Syntax** POWER:SOA:LINEar:YMIN <NR3>  
POWER:SOA:LINEar:YMIN?

**Arguments** <NR3> is the YMIN value used for linear SOA calculations.

**Examples** POWER:SOA:LINEAR:YMIN 2 sets the YMIN value to 2.0000.  
POWER:SOA:LINEAR:YMIN ? might return :POWER:SOA:LINEar:YMIN  
0.0E+0 indicating that the YMIN value for linear plot type is set to 0.0E+0.

## POWER:SOA:LOG:XMAX

Sets or returns the user XMAX value for use in Log SOA calculations.

**Conditions** This command requires a DPO4PWR application module.

**Group** Power

**Syntax** POWER:SOA:LOG:XMAX <NR3>  
POWER:SOA:LOG:XMAX?

**Arguments** <NR3> is the XMAX value used for log SOA calculations.

**Examples**     `POWER:SOA:LOG:XMAX 1` sets the XMAX value to 1.0000.  
`POWER:SOA:LOG:XMAX ?` might return `:POWER:SOA:LOG:XMAX 1.0000E+3`  
indicating that the XMAX value for log plot type is set to 1.0000E+3.

## **POWER:SOA:LOG:XMIN**

Sets or returns the user XMIN value for use in Log SOA calculations.

**Conditions**     This command requires a DPO4PWR application module.

**Group**     Power

**Syntax**     `POWER:SOA:LOG:XMIN <NR3>`  
`POWER:SOA:LOG:XMIN?`

**Arguments**     `<NR3>` is the XMIN value used for log SOA calculations.

**Examples**     `POWER:SOA:LOG:XMIN 2` sets the XMIN value to 2.0000.  
`POWER:SOA:LOG:XMIN ?` might return `:POWER:SOA:LOG:XMIN 100.0000E-3`  
indicating that the XMIN value for log plot type is set to 100.0000E-3.

## **POWER:SOA:LOG:YMAX**

Sets or returns the user YMAX value for use in Log SOA calculations.

**Conditions**     This command requires a DPO4PWR application module.

**Group**     Power

**Syntax**     `POWER:SOA:LOG:YMAX <NR3>`  
`POWER:SOA:LOG:YMAX?`

**Arguments**     `<NR3>` is the YMAX value used for log SOA calculations.

**Examples** POWER:SOA:LOG:YMAX 10 sets the YMAX value to 10.0000.  
 POWER:SOA:LOG:YMAX ? might return :POWER:SOA:LOG:YMAX 100.0000 indicating that the YMAX value for log plot type is set to 100.0000.

## POWER:SOA:LOG:YMIN

Sets or returns the user YMIN value for use in Log SOA calculations.

**Conditions** This command requires a DPO4PWR application module.

**Group** Power

**Syntax** POWER:SOA:LOG:YMIN <NR3>  
 POWER:SOA:LOG:YMIN?

**Arguments** <NR3> is the YMIN value used for log SOA calculations.

**Examples** POWER:SOA:LOG:YMIN 1 sets the YMIN value to 1.0000.  
 POWER:SOA:LOG:YMIN ? might return :POWER:SOA:LOG:YMIN 100.0000E-3 indicating that the YMIN value for log plot type is set to 100.0000E-3.

## POWER:SOA:MASK:DEFine

Sets or returns the X (Volts) and Y (Amps) coordinates of the current SOA mask. You can specify the number of points from 2 to 10, minimum being 2. Successive X values must be  $\geq$  the preceding X values. The number of XY points sent determines the value of NR\_PT.

**Conditions** This command requires a DPO4PWR application module.

**Group** Power

**Syntax** POWER:SOA:MASK:DEFine <NR3>  
 POWER:SOA:MASK:DEFine?

**Arguments** <NR3> represents SOA mask coordinates.



**Examples** POWER:SOA:MASK:MAXVOLTS 200 sets the SOA mask testing voltage to 200 V.  
 POWER:SOA:MASK:MAXVOLTS ? might return :POWER:SOA:MASK:MAXVOLTS 300.0000 indicating that the SOA mask testing maximum voltage is set to 300 V.

## POWer:SOA:MASK:MAXWatts

Sets or returns the maximum power applied to SOA mask testing.

**Conditions** This command requires a DPO4PWR application module.

**Group** Power

**Syntax** POWER:SOA:MASK:MAXWatts <NR3>  
 POWER:SOA:MASK:MAXWatts?

**Arguments** <NR3> is the maximum power applied to SOA mask testing.

**Examples** POWER:SOA:MASK:MAXWATTS 1000 sets the SOA mask testing power to 1.0000E+3 W.  
 POWER:SOA:MASK:MAXWATTS ? might return :POWER:SOA:MASK:MAXWATTS 750.0000 indicating that the SOA mask testing maximum power is set to 750 W.

## POWer:SOA:MASK:NR\_PT? (Query Only)

Returns the number of mask points defined.

**Conditions** This command requires a DPO4PWR application module.

**Group** Power

**Syntax** POWER:SOA:MASK:NR\_PT?

**Examples** POWER:SOA:MASK:NR\_PT? might return :POWER:SOA:MASK:NR\_PT 4 indicating that the number of mask points defined is 4.

## POWer:SOA:MASK:STATe

Sets or returns the state of the mask for SOA calculations.

**Conditions** This command requires a DPO4PWR application module.

**Group** Power

**Syntax** POWer:SOA:MASK:STATe {OFF|LIMITS|POINTS}  
POWer:SOA:MASK:STATe?

**Arguments** OFF disables mask testing.  
LIMITS enables mask testing based on limits specified using [POWer:SOA:MASK:MAXAmps](#), [POWer:SOA:MASK:MAXVolts](#), and [POWer:SOA:MASK:MAXWatts](#) commands  
POINTS enables mask testing based on masks points defined.

**Examples** POWer:SOA:MASK:STATEPOINTS enables mask testing power based on points defined.  
POWer:SOA:MASK:STATE? might return :POWer:SOA:MASK:STATE LIMITS indicating that the mask testing is enabled based on limits.

## POWer:SOA:MASK:STOPOnviol

Sets or returns the enabled state of the mask stop on violation condition.

**Conditions** This command requires a DPO4PWR application module.

**Group** Power

**Syntax** POWer:SOA:MASK:STOPOnviol {OFF|ON|0|1}  
POWer:SOA:MASK:STOPOnviol?

**Arguments** OFF or 0 enables mask stop on violations.  
ON or 1 disables mask stop on violations.



- Examples**    `POWER:SOA:MASK:STOPONVIOL 1` disables the state of the mask stop on violation condition.
- `POWER:SOA:MASK:STOPONVIOL ?` might return  
`:POWER:SOA:MASK:STOPONVIOL 0` indicating that the mask stop is enabled.

## POWER:SOA:PLOTTYPE

Sets or returns the Safe Operating Area (SOA) plot type.

- Conditions**    This command requires a DPO4PWR application module.

**Group**    Power

**Syntax**    `POWER:SOA:PLOTTYPE {LOG|LINEar}`  
`POWER:SOA:PLOTTYPE?`

- Arguments**    `LOG` for logarithmic SOA plot type.  
`LINEar` for linear SOA plot type.

- Examples**    `POWER:SOA:PLOTTYPE LINEar` sets the SOA plot type to Linear.
- `POWER:SOA:PLOTTYPE ?` might return `:POWER:SOA:PLOTTYPE LOG` indicating that the SOA plot type is set to Log.

## POWER:SOA:RESult:FAILures:QTY? (Query Only)

Returns the number of failures in the test.

- Conditions**    This command requires a DPO4PWR application module.

**Group**    Power

**Syntax**    `POWER:SOA:RESult:FAILures:QTY?`

- Examples**    `POWER:SOA:RESULT:FAILURES:QTY?` might return  
`:POWER:SOA:RESULT:FAILURES 0` indicating that the number of failures is 0.

## POWer:SOA:RESuLt:NUMACq? (Query Only)

Returns the number of acquisitions in the test.

**Conditions** This command requires a DPO4PWR application module.

**Group** Power

**Syntax** POWer:SOA:RESuLt:NUMACq?

**Examples** POWer:SOA:RESuLt:NUMACq? might return :POWer:SOA:RESuLt:NUMACQ 10 indicating that the number of acquisitions is 10.

## POWer:SOA:RESuLt:STATe? (Query Only)

Returns the pass/fail state of the SOA test.

**Conditions** This command requires a DPO4PWR application module.

**Group** Power

**Syntax** POWer:SOA:RESuLt:STATe?

**Returns** PASS or FAIL.

**Examples** POWer:SOA:RESuLt:STATe? might return :POWer:SOA:RESuLt:STATe PASS indicating that the SOA test state is PASS.

## POWer:STATIstics (No Query Form)

Clears all the accumulated statistics of all measurements. Performs the same function as the [MEASUrement:STATIstics](#) command.

**Conditions** This command requires a DPO4PWR application module.

**Group** Power

**Syntax** `POWER:STATISTICS {RESET}`

**Arguments** RESET clears the measurement statistics.

## POWER:STATISTICS:MODE

Enables or disables the display of the measurement statistics. Performs the same function as the [MEASUREMENT:STATISTICS:MODE](#) command.

**Conditions** This command requires a DPO4PWR application module.

**Group** Power

**Syntax** `POWER:STATISTICS:MODE {OFF|ALL}`  
`POWER:STATISTICS:MODE?`

**Arguments** ALL turns on measurement statistics display.  
OFF turns all measurements statistics off.

**Examples** `POWER:STATISTICS:MODE OFF` turns measurements statistics display off.  
`POWER:STATISTICS:MODE?` might return `:MEASUREMENT:STATISTICS:MODE ALL` indicating that measurement statistics are turned on and all statistics are being displayed for each measurement.

## POWER:STATISTICS:WEIGHTING

Sets the number of samples which are included for the statistics computations for mean and the standard deviation. Performs the same function as the [MEASUREMENT:STATISTICS:WEIGHTING](#) command.

**Conditions** This command requires a DPO4PWR application module.

**Group** Power

**Syntax** `POWER:STATISTICS:WEIGHTING <NR1>;RANGES {L,2,1000}`  
`POWER:STATISTICS:WEIGHTING?`

- Arguments** <NR1> is the number of samples used for the mean and standard deviation statistical accumulations
- Examples** POWER:STATISTICS:WEIGHTING 4 sets statistical weighting to four samples.
- POWER:STATISTICS:WEIGHTING ? might return  
:POWER:STATISTICS:WEIGHTING 4 indicating that statistics weighting is currently set to 4 samples.

## POWER:SWLoss:CONDCALCmethod

Sets or returns the power application switching loss conduction calculation method.

- Conditions** This command requires a DPO4PWR application module.
- Group** Power
- Syntax** POWER:SWLoss:CONDCALCmethod {VOLTage|RDSon|VCEsat}  
POWER:SWLoss:CONDCALCmethod?
- Arguments** VOLTage sets voltage as the conduction calculation method.  
RDSon sets RDSon as the conduction calculation method.  
VCEsat sets VCEsat as the conduction calculation method.
- Examples** POWER:SWLOSS:CONDCALCMETHOD RDSon sets the conduction calculation method to RDSon.
- POWER:SWLOSS:CONDCALCMETHOD ? might return  
:POWER:SWLOSS:CONDCALCMETHOD VOLT indicating that the conduction calculation method is set to Voltage.

## POWER:SWLoss:CONDuction:ENERGY:MAX? (Query Only)

Returns the maximum conduction energy for switching loss calculation.

- Conditions** This command requires a DPO4PWR application module.
- Group** Power

**Syntax**    `Power:SWLoss:CONDUCTION:ENERGY:MAX?`

**Examples**    `POWER:SWLOSS:CONDUCTION:ENERGY:MAX?` might return  
: `POWER:SWLOSS:CONDUCTION:ENERGY:MAX 1` indicating that the  
maximum conduction energy switching loss calculation is set to 1 J.

## **POWER:SWLoss:CONDUCTION:ENERGY:MEAN? (Query Only)**

Returns the mean conduction energy in the conduction period for the switching loss calculation.

**Conditions**    This command requires a DPO4PWR application module.

**Group**    Power

**Syntax**    `Power:SWLoss:CONDUCTION:ENERGY:MEAN?`

**Examples**    `POWER:SWLOSS:CONDUCTION:ENERGY:MEAN?` might return  
: `POWER:SWLOSS:CONDUCTION:ENERGY:MEAN 1` indicating that the mean  
conduction energy switching loss calculation is set to 1 J.

## **POWER:SWLoss:CONDUCTION:ENERGY:MIN? (Query Only)**

Returns the minimum conduction energy for the switching loss calculation.

**Conditions**    This command requires a DPO4PWR application module.

**Group**    Power

**Syntax**    `Power:SWLoss:CONDUCTION:ENERGY:MIN?`

**Examples**    `POWER:SWLOSS:CONDUCTION:ENERGY:MIN?` might return  
: `POWER:SWLOSS:CONDUCTION:ENERGY:MIN 1` indicating that the  
minimum conduction energy switching loss calculation is set to 1 J.

## **POWer:SWLoss:CONDUction:POWer:MAX? (Query Only)**

Returns the maximum conduction power for the switching loss calculation.

**Conditions** This command requires a DPO4PWR application module.

**Group** Power

**Syntax** `POWer:SWLoss:CONDUction:POWer:MAX?`

**Examples** `POWer:SWLOSS:CONDUCTION:POWer:MAX?` might return  
`:POWer:SWLOSS:CONDUCTION:POWer:MAX 1` indicating that the  
maximum conduction power switching loss calculation is set to 1 W.

## **POWer:SWLoss:CONDUction:POWer:MEAN? (Query Only)**

Returns the mean conduction power for the switching loss calculation.

**Conditions** This command requires a DPO4PWR application module.

**Group** Power

**Syntax** `POWer:SWLoss:CONDUction:POWer:MEAN?`

**Examples** `POWer:SWLOSS:CONDUCTION:POWer:MEAN?` might return  
`:POWer:SWLOSS:CONDUCTION:POWer:MEAN 1` indicating that the  
mean conduction power switching loss calculation is set to 1 W.

## **POWer:SWLoss:CONDUction:POWer:MIN? (Query Only)**

Returns the minimum conduction power for the switching loss calculation.

**Conditions** This command requires a DPO4PWR application module.

**Group** Power

**Syntax** `POWer:SWLoss:CONDUction:POWer:MIN?`

**Examples** `POWER:SWLOSS:CONDUCTION:POWER:MIN?` might return  
`:POWER:SWLOSS:CONDUCTION:POWER:MIN 1` indicating that the  
 minimum conduction power switching loss calculation is set to 1 W.

## POWer:SWLoss:DISplay

Sets or returns the display selection for switching loss results: All measurements, energy loss measurements or power loss measurements.

**Conditions** This command requires a DPO4PWR application module.

**Group** Power

**Syntax** `Power:SWLoss:DISplay {ALL|ENERGYLOSS|POWERLOSS}`  
`Power:SWLoss:DISplay?`

**Arguments** ALL displays both energy and power loss measurements in the results.  
 ENERGYLOSS displays only energy loss measurements in the results.  
 POWERLOSS displays only power loss measurements in the results.

**Examples** `POWER:SWLOSS:DISPLAY ENERGYLOSS` displays only energy loss measurements  
 in the results.  
`POWER:SWLOSS:DISPLAY ?` might return `:POWER:SWLOSS:DISPLAY ALL`  
 indicating that the results displays both energy and power loss measurements.

## POWer:SWLoss:GATe:POLarity

Sets or returns the switching loss gate polarity.

**Conditions** This command requires a DPO4PWR application module.

**Group** Power

**Syntax** `Power:SWLoss:GATe:POLarity {FALL|RISE}`  
`Power:SWLoss:GATe:POLarity?`

- Arguments** FALL sets falling edge as the switching loss gate polarity.  
RISe sets rising edge as the switching loss gate polarity.
- Examples** POWER:SWLOSS:GATE:POLARITY FALL sets the gate polarity to Fall.  
POWER:SWLOSS:GATE:POLARITY ? might return  
:POWER:SWLOSS:GATE:POLARITY RISE indicating that the gate polarity  
is set to Rise.

## POWER:SWLoss:GATe:TURNON

Sets or returns the gate turn on level for switching loss power measurements.

- Conditions** This command requires a DPO4PWR application module.
- Group** Power
- Syntax** POWER:SWLoss:GATe:TURNON <NR3>  
POWER:SWLoss:GATe:TURNON?
- Examples** POWER:SWLOSS:GATE:TURNON 3.5 sets the gate turn on level to 3.5000.  
POWER:SWLOSS:GATE:TURNON ? might return :POWER:SWLOSS:GATE:TURNON  
1.5 indicating that the gating turn on level is set to 1.5.

## POWER:SWLoss:NUMCYCles? (Query Only)

Returns the number of cycles counted for the switching loss calculation.

- Conditions** This command requires a DPO4PWR application module.
- Group** Power
- Syntax** POWER:SWLoss:NUMCYCles? <NR3>
- Examples** POWER:SWLOSS:NUMCYCLES? might return the number of cycles for  
switching loss calculation, if the [POWER:TYPe](#) is set to Switching Loss  
(POWER:TYPe:SWITCHingLoss). If the query times out with the Switching



Loss power enabled, it indicates the possibility of incorrect settings and might return the following :

```
*ESR?
20
ALLEV?
2202,"Measurement error, No period found;
:power:swloss:numcycles?",410,"Query INTERRUPTED"
```

## POWer:SWLoss:RDSON

Sets or returns the user RDSON value for use in switching loss calculations when the conduction calculation method is RDSON.

**Conditions** This command requires a DPO4PWR application module.

**Group** Power

**Syntax** `POWer:SWLoss:RDSON <NR3>`  
`POWer:SWLoss:RDSON?`

**Arguments** <NR3> is the RDSON switching loss calculation.

**Examples** `POWer:SWLOSS:RDSON 30` sets the RDSON value to 30.0000.

`POWer:SWLOSS:RDSON ?` might return `:POWer:SWLOSS:RDSON 20.0000E-3` indicating that the RDSON value is set to 20.0000E-3.

## POWer:SWLoss:REFLevel:ABSolute:GATEMid

Sets or returns the mid voltage reference level used in switching loss power measurements in volts.

**Conditions** This command requires a DPO4PWR application module.

**Group** Power

**Syntax** `POWer:SWLoss:REFLevel:ABSolute:GATEMid <NR3>`  
`POWer:SWLoss:REFLevel:ABSolute:GATEMid?`

**Arguments** <NR3> is the mid voltage reference level in volts.

**Examples** `POWER:SWLOSS:REFLEVEL:ABSOLUTE:GATEMID 100` sets the absolute gate mid reference voltage to 100.0000 V.

`POWER:SWLOSS:REFLEVEL:ABSOLUTE:GATEMID ?` might return  
`:POWER:SWLOSS:REFLEVEL:ABSOLUTE:GATEMID 50.0000` indicating that the gate mid reference voltage is set to 50.0000 V.

## **POWER:SWLoss:REFLevel:ABSolute:LOWCurrent**

Sets or returns the low current reference level used in switching loss power measurements in amperes.

**Conditions** This command requires a DPO4PWR application module.

**Group** Power

**Syntax** `POWER:SWLoss:REFLevel:ABSolute:LOWCurrent <NR3>`  
`POWER:SWLoss:REFLevel:ABSolute:LOWCurrent?`

**Arguments** <NR3> is the low voltage current level in amperes.

**Examples** `POWER:SWLOSS:REFLEVEL:ABSOLUTE:LOWCURRENT 2.8` sets the absolute reference low current to 2.8000 A.

`POWER:SWLOSS:REFLEVEL:ABSOLUTE:LOWCURRENT ?` might return  
`:POWER:SWLOSS:REFLEVEL:ABSOLUTE:LOWCURRENT 5.0000` indicating that the absolute reference low current is set to 5.0000 A.

## **POWER:SWLoss:REFLevel:ABSolute:LOWVoltage**

Sets or returns the low voltage reference level used in switching loss power measurements in volts.

**Conditions** This command requires a DPO4PWR application module.

**Group** Power

<b>Syntax</b>	<code>POWER:SWLOSS:REFLEVEL:ABSOLUTE:LOWVOLTAGE &lt;NR3&gt;</code> <code>POWER:SWLOSS:REFLEVEL:ABSOLUTE:LOWVOLTAGE?</code>
<b>Arguments</b>	<NR3> is the low voltage reference level in volts.
<b>Examples</b>	<code>POWER:SWLOSS:REFLEVEL:ABSOLUTE:LOWVOLTAGE 2.5</code> sets the absolute reference low voltage to 2.5000 V.  <code>POWER:SWLOSS:REFLEVEL:ABSOLUTE:LOWVOLTAGE ?</code> might return <code>:POWER:SWLOSS:REFLEVEL:ABSOLUTE:LOWVOLTAGE 5.0000</code> indicating that the absolute reference low voltage is set to 5.0000 V.

## POWER:SWLoss:REFLevel:PERCent:GATEMid

Sets or returns the mid voltage reference level used in switching loss power measurements in percent.

<b>Conditions</b>	This command requires a DPO4PWR application module.
<b>Group</b>	Power
<b>Syntax</b>	<code>POWER:SWLOSS:REFLEVEL:PERCENT:GATEMID &lt;NR3&gt;</code> <code>POWER:SWLOSS:REFLEVEL:PERCENT:GATEMID?</code>
<b>Arguments</b>	<NR3> is the mid voltage reference level in volts.
<b>Examples</b>	<code>POWER:SWLOSS:REFLEVEL:PERCENT:GATEMID 30</code> sets the gate mid reference voltage to 30%.  <code>POWER:SWLOSS:REFLEVEL:PERCENT:GATEMID ?</code> might return <code>:POWER:SWLOSS:REFLEVEL:PERCENT:GATEMID 50.0000</code> indicating that the gate mid reference voltage is set to 50%.

## POWER:SWLoss:REFLevel:PERCent:LOWCurrent

Sets or returns the low current reference level used in switching loss power measurements in percent.

<b>Conditions</b>	This command requires a DPO4PWR application module.
-------------------	---

<b>Group</b>	Power
<b>Syntax</b>	<code>Power:SWLoss:REFLevel:PERCent:LOWCurrent &lt;NR3&gt;</code> <code>Power:SWLoss:REFLevel:PERCent:LOWCurrent?</code>
<b>Arguments</b>	<NR3> is the low voltage reference level percent.
<b>Examples</b>	<code>POWER:SWLOSS:REFLEVEL:PERCENT:LOWCURRENT 15</code> sets the reference low current to 15%. <code>POWER:SWLOSS:REFLEVEL:PERCENT:LOWCURRENT ?</code> might return <code>:POWER:SWLOSS:REFLEVEL:PERCENT:LOWCURRENT 5.0000</code> indicating that the reference low current is set to 5%.

## **POWER:SWLoss:REFLevel:PERCent:LOWVoltage**

Sets or returns the low voltage reference level used in switching loss power measurements in percent.

<b>Conditions</b>	This command requires a DPO4PWR application module.
<b>Group</b>	Power
<b>Syntax</b>	<code>Power:SWLoss:REFLevel:PERCent:LOWVoltage &lt;NR3&gt;</code> <code>Power:SWLoss:REFLevel:PERCent:LOWVoltage?</code>
<b>Arguments</b>	<NR3> is the low voltage reference level in percent.
<b>Examples</b>	<code>POWER:SWLOSS:REFLEVEL:PERCENT:LOWVOLTAGE 10</code> sets the reference low voltage to 10%. <code>POWER:SWLOSS:REFLEVEL:PERCENT:LOWVOLTAGE ?</code> might return <code>:POWER:SWLOSS:REFLEVEL:PERCENT:LOWVOLTAGE 5.0000</code> indicating that the reference low voltage is set to 5%.

## **POWER:SWLoss:TOFF:ENERGY:MAX? (Query Only)**

Returns the maximum Toff energy for the switching loss calculation.

<b>Conditions</b>	This command requires a DPO4PWR application module.
-------------------	---

<b>Group</b>	Power
<b>Syntax</b>	POWER:SWLOSS:TOFF:ENERGY:MAX?
<b>Examples</b>	POWER:SWLOSS:TOFF:ENERGY:MAX? might return :POWER:SWLOSS:TON:ENERGY:MAX 1 indicating that the maximum Toff energy switching loss calculation is set to 1 J.

## POWER:SWLOSS:TOFF:ENERGY:MEAN? (Query Only)

Returns the mean Toff energy for the switching loss calculation.

<b>Conditions</b>	This command requires a DPO4PWR application module.
<b>Group</b>	Power
<b>Syntax</b>	POWER:SWLOSS:TOFF:ENERGY:MEAN?
<b>Examples</b>	POWER:SWLOSS:TOFF:ENERGY:MEAN? might return :POWER:SWLOSS:TON:ENERGY:MEAN 1 indicating that the mean Toff energy switching loss calculation is set to 1 J.

## POWER:SWLOSS:TOFF:ENERGY:MIN? (Query Only)

Returns the minimum Toff energy for the switching loss calculation.

<b>Conditions</b>	This command requires a DPO4PWR application module.
<b>Group</b>	Power
<b>Syntax</b>	POWER:SWLOSS:TOFF:ENERGY:MIN?
<b>Examples</b>	POWER:SWLOSS:TOFF:ENERGY:MIN? might return :POWER:SWLOSS:TON:ENERGY:MIN 1 indicating that the minimum Toff energy switching loss calculation is set to 1 J.

## **POWer:SWLoss:TOFF:POWer:MAX? (Query Only)**

Returns the maximum Toff power for the switching loss calculation.

**Conditions** This command requires a DPO4PWR application module.

**Group** Power

**Syntax** `POWer:SWLoss:TOFF:POWer:MAX?`

**Examples** `POWer:SWLOSS:TOFF:POWer:MAX?` might return  
`:POWer:SWLOSS:TON:POWer:MAX 1` indicating that the maximum Toff power switching loss calculation is set to 1 W.

## **POWer:SWLoss:TOFF:POWer:MEAN? (Query Only)**

Returns the mean Toff power for the switching loss calculation.

**Conditions** This command requires a DPO4PWR application module.

**Group** Power

**Syntax** `POWer:SWLoss:TOFF:POWer:MEAN?`

**Examples** `POWer:SWLOSS:TOFF:POWer:MEAN?` might return  
`:POWer:SWLOSS:TON:POWer:MEAN 1` indicating that the mean Toff power switching loss calculation is set to 1 W.

## **POWer:SWLoss:TOFF:POWer:MIN? (Query Only)**

Returns the minimum Toff power for the switching loss calculation.

**Conditions** This command requires a DPO4PWR application module.

**Group** Power

**Syntax** `POWer:SWLoss:TOFF:POWer:MIN?`

**Examples** POWER:SWLOSS:TOFF:POWER:MIN? might return  
:POWER:SWLOSS:TON:POWER:MIN 1 indicating that the minimum Toff power  
switching loss calculation is set to 1 W.

## POWer:SWLoss:TON:ENERGY:MAX? (Query Only)

Returns the maximum Ton energy for the switching loss calculation.

**Conditions** This command requires a DPO4PWR application module.

**Group** Power

**Syntax** POWER:SWLoss:TON:ENERGY:MAX?

**Examples** POWER:SWLOSS:TON:ENERGY:MAX? might return  
:POWER:SWLOSS:TON:ENERGY:MAX 1 indicating that the maximum Ton energy  
switching loss calculation is set to 1 J.

## POWer:SWLoss:TON:ENERGY:MEAN? (Query Only)

Returns the mean Ton energy for the switching loss calculation.

**Conditions** This command requires a DPO4PWR application module.

**Group** Power

**Syntax** POWER:SWLoss:TON:ENERGY:MEAN?

**Examples** POWER:SWLOSS:TON:ENERGY:MEAN? might return  
:POWER:SWLOSS:TON:ENERGY:MEAN 1 indicating that the mean Ton energy  
switching loss calculation is set to 1 J.

## POWer:SWLoss:TON:ENERGY:MIN? (Query Only)

Returns the minimum Ton energy for the switching loss calculation.

**Conditions** This command requires a DPO4PWR application module.

**Group** Power

**Syntax** POWER:SWLoss:TON:ENERGY:MIN?

**Examples** POWER:SWLOSS:TON:ENERGY:MIN? might return  
:POWER:SWLOSS:TON:ENERGY:MIN 1 indicating that the minimum Ton energy  
switching loss calculation is set to 1 J.

## POWER:SWLoss:TON:POWER:MAX? (Query Only)

Returns the maximum Ton power for the switching loss calculation.

**Conditions** This command requires a DPO4PWR application module.

**Group** Power

**Syntax** POWER:SWLoss:TON:POWER:MAX?

**Examples** POWER:SWLOSS:TON:POWER:MAX? might return  
:POWER:SWLOSS:TON:POWER:MAX 1 indicating that the maximum Ton power  
switching loss calculation is set to 1 W.

## POWER:SWLoss:TON:POWER:MEAN? (Query Only)

Returns the mean Ton power for the switching loss calculation.

**Conditions** This command requires a DPO4PWR application module.

**Group** Power

**Syntax** POWER:SWLoss:TON:POWER:MEAN?

**Examples** POWER:SWLOSS:TON:POWER:MEAN? might return  
:POWER:SWLOSS:TON:POWER:MEAN 1 indicating that the mean Ton power  
switching loss calculation is set to 1 W.



## POWer:SWLoss:TON:POWer:MIN? (Query Only)

Returns the minimum Ton power for the switching loss calculation.

**Conditions** This command requires a DPO4PWR application module.

**Group** Power

**Syntax** POWer:SWLoss:TON:POWer:MIN?

**Examples** POWer:SWLoss:TON:POWer:MIN? might return  
:POWer:SWLoss:TON:POWer:MIN 1 indicating that the minimum Ton power  
switching loss calculation is set to 1 W.

## POWer:SWLoss:TOTal:ENERGY:MAX? (Query Only)

Returns the maximum total energy for the switching loss calculation.

**Conditions** This command requires a DPO4PWR application module.

**Group** Power

**Syntax** POWer:SWLoss:TOTal:ENERGY:MAX?

**Examples** POWer:SWLoss:TOTal:ENERGY:MAX? might return  
:POWer:SWLoss:TOTal:ENERGY:MAX 1 indicating that the maximum  
conduction energy switching loss calculation is set to 1 J.

## POWer:SWLoss:TOTal:ENERGY:MEAN? (Query Only)

Returns the mean total energy for the switching loss calculation.

**Conditions** This command requires a DPO4PWR application module.

**Group** Power

**Syntax** POWer:SWLoss:TOTal:ENERGY:MEAN?

**Examples** POWER:SWLOSS:TOTAL:ENERGY:MEAN? might return  
:POWER:SWLOSS:TOTAL:ENERGY:MEAN 1 indicating that the mean conduction  
energy switching loss calculation is set to 1 J.

## POWer:SWLoss:TOTal:ENERGY:MIN? (Query Only)

Returns the minimum total energy for the switching loss calculation.

**Conditions** This command requires a DPO4PWR application module.

**Group** Power

**Syntax** POWER:SWLoss:TOTal:ENERGY:MIN?

**Examples** POWER:SWLOSS:TOTAL:ENERGY:MIN? might return  
:POWER:SWLOSS:TOTAL:ENERGY:MIN 1 indicating that the minimum  
conduction energy switching loss calculation is set to 1 J.

## POWer:SWLoss:TOTal:POWER:MAX? (Query Only)

Returns the maximum total power loss.

**Conditions** This command requires a DPO4PWR application module.

**Group** Power

**Syntax** POWER:SWLoss:TOTal:POWER:MAX?

**Examples** POWER:SWLOSS:TOTAL:POWER:MAX? might return  
:POWER:SWLOSS:TOTAL:POWER:MAX 1 indicating that the maximum total  
power switching loss calculation is set to 1 W.

## POWer:SWLoss:TOTal:POWER:MEAN? (Query Only)

Returns the mean total power loss.

**Conditions** This command requires a DPO4PWR application module.

<b>Group</b>	Power
<b>Syntax</b>	POWER:SWLoss:TOTa1:POWER:MEAN?
<b>Examples</b>	POWER:SWLOSS:TOTAL:POWER:MEAN? might return :POWER:SWLOSS:TOTAL:POWER:MEAN 1 indicating that the mean total power switching loss calculation is set to 1 W.

## POWer:SWLoss:TOTal:POWER:MIN? (Query Only)

Returns the minimum total power loss.

<b>Conditions</b>	This command requires a DPO4PWR application module.
<b>Group</b>	Power
<b>Syntax</b>	POWER:SWLoss:TOTa1:POWER:MIN?
<b>Examples</b>	POWER:SWLOSS:TOTAL:POWER:MIN? might return :POWER:SWLOSS:TOTAL:POWER:MIN 1 indicating that the minimum total power switching loss calculation is set to 1 W.

## POWer:SWLoss:VCESat

Sets or returns VCESAT value for use in switching loss calculations when the conduction calculation method is VCESAT.

<b>Conditions</b>	This command requires a DPO4PWR application module.
<b>Group</b>	Power
<b>Syntax</b>	POWER:SWLoss:VCESat <NR3> POWER:SWLoss:VCESat?
<b>Arguments</b>	<NR3> is the VCESat switching loss calculation.

**Examples**     `POWER:SWLOSS:VCEsat 5` sets the VCEsat value to 5.0000.  
`POWER:SWLOSS:VCEsat ?` might return `:POWER:SWLOSS:VCEsat 2.0000` indicating that the VCEsat value is set to 2.0000.

## POWer:TYPe

Sets or returns the power application measurement type.

**Conditions**     This command requires a DPO4PWR application module.

**Group**     Power

**Syntax**     `Power:TYPe {NONE|QUALity|SWITCHingloss|SOA|HARMonics|RIPPlE|MODULationanalysis|DESKew}`  
`Power:TYPe?`

**Arguments**     **NONE** Use to set the measurement type to None.

**QUALity** Use the power quality functions to obtain measurements and statistics about the general power quality in your test circuit

**SWITCHingloss** Use the switching loss functions to obtain the power loss and energy loss across the acquired waveform, including turn-on loss, turn-off loss, conduction loss, and total loss. Typically, use these functions to characterize losses in power supply switching devices, as they switch on and off.

**SOA** Use the safe operating functions to obtain an X-Y display of the switching device-under-test's voltage and current. Also use them to perform a mask test of the X-Y signal relative to the graphical X-Y description of the device specification table. The safe operating area is typically the voltage and current values that a semiconductor can operate without damaging itself.

**HARMonics** Use the harmonics functions to obtain the frequency spectrum of the source waveform and associated measurement values. Harmonic measurements can help one perform in-depth troubleshooting of power quality problems.

**RIPPlE** Use the ripple functions to obtain measurements and statistics for the AC components of the acquired waveform. Ripples are often found on top of a large DC signal.

**MODULationanalysis** Use the modulation functions to obtain a trend plot of a measurement value across the acquired waveform. This is useful for showing the variations in the modulated switching signal.

**DESKew** Run the deskew procedure to match the delays through the probes. Different probes introduce different delays between the probe tip and the

oscilloscope. Many oscilloscope users do not have to worry about this because they use the same type of probe on all channels. Power measurement users, however, frequently use both a voltage probe and a current probe. A current probe typically has a larger delay than a voltage probe, so setting deskew values becomes important.

**Examples** `POWER:TYPE HARMONICS` sets the measurement type to Harmonics.  
`POWER:TYPE?` might return `POWER:TYPE NON` indicating that no measurement type is set.

## POWER:VOLTAGESource

Sets or returns the voltage source for the power application.

**Conditions** This command requires a DPO4PWR application module.

**Group** Power

**Syntax** `POWER:VOLTAGESource {CH1|CH2|CH3|CH4|REF1|REF2|REF3|REF4}`  
`POWER:VOLTAGESource?`

**Arguments** CH1-CH4 or REF1-REF4 sets channel or ref as the voltage source.

**Examples** `POWER:VOLTAGESOURCE CH1` sets the voltage source as CH1.  
`POWER:VOLTAGESOURCE?` might return `POWER:VOLTAGESOURCE CH1` indicating that the voltage source is set to CH1.

## \*PSC

Sets or returns the power-on status flag that controls the automatic power-on handling of the DESER, SRER, and ESER registers. When \*PSC is true, the DESER register is set to 255 and the SRER and ESER registers are set to 0 at power-on. When \*PSC is false, the current values in the DESER, SRER, and ESER registers are preserved in nonvolatile memory when power is shut off and are restored at power-on.

**Group** Status and Error

**Syntax** \*PSC {OFF|ON|NR1>}  
\*PSC?

**Related Commands** [DESE](#), [\\*ESE](#), [FACTory](#), [\\*RST](#), [\\*SRE](#)

**Arguments** OFF sets the power-on status clear flag to false.  
ON sets the power-on status clear flag to true.  
<NR1> = 0 sets the power-on status clear flag to false. This disables the power-on clear allowing the oscilloscope to possibly assert SRQ after power-on; any other value sets the power-on status clear flag to true, enabling the power-on status clear preventing any SRQ assertion after power on.

**Examples** \*PSC 0 sets the power-on status clear flag to false.  
\*PSC? might return 1 to indicate that the power-on status clear flag is set to true.

## \*PUD

Sets or returns a string of Protected User Data. This data is protected by the [PASSWord](#) command. You can modify it only by first entering the correct password. This password is not necessary to query the data.

**Group** Status and Error

**Syntax** \*PUD {<Block>|<QString>}  
\*PUD?

**Related Commands** [PASSWord](#)

**Arguments** <Block> is a block containing up to 300 ASCII characters.  
<QString> is a string containing up to 300 ASCII characters.

**Examples** \*PUD #229This oscilloscope belongs to me stores the string "This oscilloscope belongs to me" in the user protected data area.

\*PUD? might return #221PROPERTY OF COMPANY X

## \*RCL (No Query Form)

This command restores the state of the oscilloscope from a copy of the settings stored in memory (The settings are stored using the \*SAV command).

**Group** Save and Recall

**Syntax** \*RCL <NR1>

**Related Commands** [FACTory](#), [\\*LRN?](#), [RECALL:SETUp](#), [\\*RST](#), [\\*SAV](#), [SAVe:SETUp](#)

**Arguments** <NR1> is a value in the range from 1 to 10, which specifies a saved setup storage location.

**Examples** \*RCL 3 restores the oscilloscope from a copy of the settings stored in memory location 3.

## RECALL:SETUp (No Query Form)

Restores the state of the oscilloscope from a copy of the settings stored in memory. The settings are stored using the \*SAV command.

**Group** Save and Recall

**Syntax** RECALL:SETUp {FACTory|<NR1>|<file path>}

**Related Commands** [FACTory](#), [\\*RCL](#), [\\*RST](#), [\\*SAV](#), [SAVe:SETUp](#), [FILESystem:CWD](#)

**Arguments** FACTory restores the factory setup.

<NR1> is a value in the range from 1 to 10, which specifies a saved setup storage location.

<file path> specifies a location for an oscilloscope setup file. <file path> is a quoted string that defines the file name and path. Input the file path using the form <drive>:/<dir>/<filename>.<extension> and one or <dir>s are optional. If you do not specify them, the oscilloscope will read the file from the default directory (see [FILESystem:CWD](#)). <filename> stands for a filename; the use of wildcard characters in filenames is not supported. Filename extensions are not required, but highly recommended.

- Examples**    `RECALL:SETUP FACTORY` recalls (and makes current) the oscilloscope setup to its factory defaults.
- `RECALL:SETUP 2` recalls the oscilloscope setup from setup storage location 2.
- `RECALL:SETUP "TEK00000.SET"` recalls the setup from the file `TEK00000.SET` in the current working directory.

## RECALL:WAVEform (No Query Form)

This command (no query form) recalls a stored waveform to a reference location.

**Group**    Save and Recall

**Syntax**    `RECALL:WAVEform <file path>,REF<x>`

**Related Commands**    [SAVE:WAVEform](#), [FILESystem:CWD](#), [FILESystem?](#)

**Arguments**    `REF<x>` specifies a location in internal reference memory. Reference memory location values range from 1 through 4.

`<file path>` specifies a location for an oscilloscope setup file. `<file path>` is a quoted string that defines the file name and path. Input the file path using the form `<drive>:/<dir>/<filename>.<extension>` and one or `<dir>`s are optional. If you do not specify them, the oscilloscope will read the file from the default directory (see [FILESystem:CWD](#)). `<filename>` stands for a filename; the use of wildcard characters in filenames is not supported. Filename extensions are not required, but highly recommended.

**Examples**    `RECALL:WAVEFORM "TEK00000.ISF",REF1` recalls the waveform stored in the file named `TEK00000.ISF` from the current directory for waveforms to the reference location 1.

## REF<x>? (Query Only)

Returns reference waveform data for the channel specified by `<x>`, where `x` is the reference channel number.

**Group**    Vertical

**Syntax**    `REF<x>?`



## REF<x>:DATE? (Query Only)

Returns the date that reference waveform data for channel <x> was copied into the internal reference memory, where x is the reference channel number.

**Group** Vertical

**Syntax** REF<x>:DATE?

## REF<x>:HORIZONTAL:DELAY:TIME

Sets or returns the horizontal delay time for reference waveform <x>, where x is the reference channel number. The delay time is expressed in seconds and is limited to  $\pm 5$  times the reference horizontal scale.

**Group** Vertical

**Syntax** REF<x>:HORIZONTAL:DELAY:TIME <NR3>  
REF<x>:HORIZONTAL:DELAY:TIME?

**Arguments** <NR3> is the delay time in seconds.

**Examples** REF2:HORIZONTAL:DELAY:TIME 4.0E-6 sets the horizontal delay time for the REF2 waveform to 4  $\mu$ s.

## REF<x>:HORIZONTAL:SCALE

Sets or returns the horizontal scale for reference waveform <x>, where x is the reference channel number.

**Group** Vertical

**Syntax** REF<x>:HORIZONTAL:SCALE <NR3>  
REF<x>:HORIZONTAL:SCALE?

**Arguments** <NR3> is the horizontal scale in seconds.

**Examples** REF1:HORIZONTAL:SCALE? might return REF1:HORIZONTAL:SCALE 4.0E-4.

## REF<x>:LABel

Sets or returns the reference waveform label for the channel specified by <x>, where x is the reference channel number.

**Group** Vertical

**Syntax** REF<x>:LABel <Qstring>  
REF<x>:LABel?

**Arguments** <Qstring> is an alphanumeric string of text, enclosed in quotes, that contains the label text for the reference channel <x> waveform. The text string is limited to 30 characters.

**Examples** REF4:LABEL? might return :REF4:LABEL "Clk wfm 2".

## REF<x>:TIME? (Query Only)

Returns the time that reference waveform data was copied into the internal reference memory for reference channel <x>, where x is the reference channel number.

**Group** Vertical

**Syntax** REF<x>:TIME?

**Examples** REF4:TIME? might return "16:54:05".

## REF<x>:VERTical:POStion

Sets or returns the vertical position of the reference waveform specified by <x>, where x is the reference channel number.

Increasing the position value of a waveform causes the waveform to move up, and decreasing the position value causes the waveform to move down. Position adjusts only the display position of a waveform. The position value determines the vertical graticule coordinate at which signal values are displayed. For example, if the position for Reference 3 is set to 2.0, the signal represented by that reference will be displayed at 2.0 divisions above the center of the screen.

<b>Group</b>	Vertical
<b>Syntax</b>	REF<x>:VERTical:POSITION <NR3> REF<x>:VERTical:POSITION?
<b>Related Commands</b>	<a href="#">CH&lt;x&gt;:POSITION</a> , <a href="#">MATH[1]:VERTical:POSITION</a>
<b>Arguments</b>	<NR3> is the desired position, in divisions from the center horizontal graticule. The range is from -5.0 to 5.0 divisions.
<b>Examples</b>	REF2:VERTICAL:POSITION 1.3E+00 positions the Reference 2 input signal 1.3 divisions above the center horizontal graticule.  REF1:VERTICAL:POSITION? might return :REF1:VERTICAL:POSITION -1.3000E+00 indicating that the current position of Reference 1 is 1.3 divisions below the center horizontal graticule.

## REF<x>:VERTical:SCALE

Sets or returns the vertical scale for the reference waveform specified by <x>, where x is the reference channel number.

Each waveform has a vertical scale parameter. For a signal with constant amplitude, increasing the Scale causes the waveform to be displayed smaller. Decreasing the scale causes the waveform to be displayed larger.

Scale affects all waveforms, but affects reference and math waveforms differently from channel waveforms:

- For reference and math waveforms, this setting controls the display only, graphically scaling these waveforms and having no affect on the acquisition hardware.
- For channel waveforms, this setting controls the vertical size of the acquisition window as well as the display scale. The range and resolution of scale values depends on the probe attached and any other external factors you have specified.

<b>Group</b>	Vertical
<b>Syntax</b>	REF<x>:VERTical:SCALE <NR3> REF<x>:VERTical:SCALE?
<b>Related Commands</b>	<a href="#">CH&lt;x&gt;:SCALE</a> , <a href="#">MATH[1]:VERTical:SCALE</a>

<b>Arguments</b>	<NR3> is the gain in user units-per-division.
<b>Examples</b>	REF4:VERTICAL:SCALE 100E-03 sets the Reference 4 scale to 100 mV per division.  REF4:VERTICAL:SCALE? might return :REF2:VERTICAL:SCALE 1.0000e+00 indicating that the current vertical scale setting for Reference 2 is 1 V per division.

## REM (No Query Form)

Embeds a comment within programs as a means of internally documenting the programs. The oscilloscope ignores these embedded comment lines.

<b>Group</b>	Miscellaneous
<b>Syntax</b>	REM <QString>
<b>Arguments</b>	<QString> is a string that can contain a maximum of 80 characters.
<b>Examples</b>	REM "This is a comment" is a comment string that the oscilloscope will ignore.

## \*RST (No Query Form)

Resets the oscilloscope to the factory default settings. The \*RST command does not alter the following:

- Calibration data that affect device specifications
- The Output Queue
- The Service Request Enable Register setting
- The Power-on status clear flag setting
- Alias definitions
- Stored settings
- The \*PUD? Response
- Any of the values associated with the DATA command.
- Oscilloscope password

<b>Group</b>	Status and Error
<b>Syntax</b>	*RST
<b>Related Commands</b>	<a href="#">FACTory</a> , <a href="#">RECALL:SETUp</a> , <a href="#">SAVe:SETUp</a> , <a href="#">*PSC</a> , <a href="#">*RCL</a> , <a href="#">*SAV</a>
<b>Arguments</b>	None
<b>Examples</b>	*RST resets the oscilloscope settings to factory defaults.

## \*SAV (No Query Form)

Stores the state of the oscilloscope to a specified memory location. You can use the \*RCL command to restore the oscilloscope to this saved state at a later time.

<b>Group</b>	Save and Recall
<b>Syntax</b>	*SAV <NR1>
<b>Related Commands</b>	<a href="#">*RCL</a> , <a href="#">RECALL:SETUp</a> , <a href="#">SAVe:SETUp</a>
<b>Arguments</b>	<NR1> specifies a location in which to save the state of the oscilloscope. Location values range from 1 through 10. Using an out-of-range location value causes an execution error. Any settings that have been stored previously at this location will be overwritten.
<b>Examples</b>	*SAV 2 saves the current oscilloscope state in memory location 2.

## SAVe:ASSIgn:TYPE

Sets or returns the assignment of the data to be saved when the front-panel Save button is pressed.

<b>Group</b>	Save and Recall
<b>Syntax</b>	SAVe:ASSIgn:TYPE {IMAGE WAVEform SETUp} SAVe:ASSIgn:TYPE?

- Arguments** IMAGE assigns the Save button to save screen images.  
WAVEform assigns the Save button to save waveforms.  
SETUp assigns the Save button to save setups.

## SAVE:EVENTtable:BUS<x> (No Query Form)

Saves the data from bus<x> to a specified file and location; where x is the bus number

**Group** Save and Recall

**Syntax** SAVE:EVENTtable:BUS<x> <file path>

**Arguments** <file path> is a quoted string that defines the file name and path location where the event table will be stored.

---

**NOTE.** <filename> stands for a filename of up to 125 characters, followed by a period (".") and the three-character extension. Waveform files should have a .csv extension for comma-separated spreadsheet format files.

---

## SAVE:IMAGe (No Query Form)

Saves a capture of the screen image into the specified file. Supported image formats are PNG, Windows Bitmap, and TIFF. If an extension for a supported file type is added to the file name, then the corresponding format will be used. If no supported extension is added to the file, the format to use will be determined by the value obtained from the :SAVE:IMAGe:FILEFormat? query.

**Group** Save and Recall

**Syntax** SAVE:IMAGe <file path>

**Related Commands** [SAVE:ASSIgn:TYPe](#)

**Arguments** <file path> is a filename, including path, where the image will be saved. If you do not specify a directory, the oscilloscope will store the file in the current working directory. File name extensions are not required but are highly

recommended. The path “D:/foo.png” will save an image to the file “foo.png” on the Compact Flash card.

## SAVe:IMAGe:FILEFormat

Sets or returns the file format to use for saving screen images.

---

**NOTE.** *The file format is not automatically determined by the file name extension. You need to choose a file format with an extension which is consistent with the selected file format.*

---

**Group** Save and Recall

**Syntax** SAvE:IMAGe:FILEFormat {PNG|BMP|TIFF}  
SAVe:IMAGe:FILEFormat?

**Related Commands** [SAVe:IMAGe](#)

**Arguments** PNG saves the file in Portable Network Graphics format.  
BMP saves the file in Microsoft Windows bitmap format.  
TIFF saves the file in Tagged Image File Format.

## SAVe:IMAGe:INKSaver

Sets or returns the current ink saver setting for the [SAVe:IMAGe](#) command. If set to “ON” or “1”, images will be generated using the ink saver palette. If set to “OFF” or “0”, images will be generated using the standard palette.

**Group** Save and Recall

**Syntax** SAvE:IMAGe:INKSaver {OFF|ON|0|1}  
SAVe:IMAGe:INKSaver?

**Related Commands** [SAVe:IMAGe](#)

**Arguments** OFF or 0 generates images from the Inksaver palette.  
ON or 1 generates images using the Standard palette.

## SAVe:IMAGe:LAYout

Sets or returns the layout to use for saved screen images.

**Group** Save and Recall

**Syntax** SAvE:IMAGe:LAYout {LANdScape|PORTRai t}  
SAVe:IMAGe:LAYout?

**Arguments** LANdScape specifies that screen images are saved in landscape format.  
PORTRai t specifies that screen images are saved in portrait format.

## SAVe:SETUp (No Query Form)

Stores the state of the oscilloscope to a specified memory location. You can later use the \*RCL command to restore the oscilloscope to this saved state.

**Group** Save and Recall

**Syntax** SAvE:SETUp {<file path>|<NR1>}

**Related Commands** [\\*RCL](#), [RECALL:SETUp](#), [\\*SAV](#)

**Arguments** <file path> is the target location for storing the setup file. <file path> is a quoted string that defines the file name and path. Input the file path using the form <drive>:<dir>/<filename>. <extension> and one or <dir>s are optional. If you do not specify them, the oscilloscope will store the file in the current working directory. <filename> stands for a filename. (Use of wildcard characters in filenames is not supported.) Filename extensions are not required but are highly recommended. For setups, use the extension ".SET".

<NR1> specifies a location for saving the current front-panel setup. The front-panel setup value ranges from 1 to 10. Using an out-of-range value causes an execution error. Any settings that have been stored previously at this location will be overwritten.

**Examples** SAvE:SETUp 5 saves the current oscilloscope setup in memory location 5.

SAVe:SETUp "TEK00000.SET" saves the current oscilloscope setup in the file TEK00000.SET in the current working directory.



## SAVe:WAVEform (No Query Form)

This command saves a specified waveform or all displayed waveforms (excluding serial bus waveforms). Only individual analog waveforms (CH<x>, MATH and REF<x>) can be saved to reference memory locations.

You can save all displayed waveforms, excluding serial bus waveforms, to a single CSV file when the SAVE:WAVEFORM:FILEFORMAT is set to SPREADSHEET.

You can save all displayed waveforms, excluding serial bus waveforms and digital channels (MSO models) to consecutive ISF (internal save format) files when the SAVE:WAVEFORM:FILEFORMAT is set to INTERNAL.

**Group** Save and Recall

**Syntax** SAVE:WAVEform [<wfm>,{REF<x>}] | [<wfm>, <QString>] | [ALL, <QString>]

**Related Commands** [RECALL:WAVEform](#), [SAVe:WAVEform:FILEFormat](#)

**Arguments** <wfm>, <REF<x>> saves the specified waveform to the specified reference memory location. <wfm> can be any live analog channel (where <x> is the channel number), the MATH1 waveform, or another reference waveform (such as REF1).

<wfm>, <QString> saves the specified waveform to the file specified in the quoted string argument. Any live channel (such as CH1), the MATH1 waveform, any reference waveform, and, for MSO models, digital waveforms (such as D0) can be saved to a file. Digital waveforms can only be saved when the SAVE:WAVEFORM:FILEFORMAT is set to SPREADSHEET.

ALL, <QString> saves all displayed waveforms, excluding serial bus waveforms, to a single CSV file specified by the quoted string argument when the SAVE:WAVEFORM:FILEFORMAT is set to SPREADSHEET, or saves all displayed waveforms, excluding serial bus waveforms and digital channel waveforms (MSO models), to individual ISF (internal save format) files with a file name prefix specified by the argument with an underscore (\_) and the waveform ID (such as CH1, REF1, MATH) appended to the file name(s).

**Examples** SAVE:WAVEFORM CH1, REF1 saves the CH1 waveform in reference memory location 1.

```
:SAVE:WAVEFORM:FILEFORMAT SPREADSHEET; :SAVE:WAVEFORM ALL,
"D:/test_folder/test1_all.csv" saves all displayed waveforms
(excluding serial bus waveforms) to D:/test_folder/test1_all.csv.
```

`:SAVE:WAVEform:FILEFormat INTERNAL`; `:SAVE:WAVEform ALL`,  
`"D:/test_folder/test1"` saves all displayed waveforms (excluding serial bus waveforms and digital channels for MSO models) to individual files named `D:/test_folder/test1_<wfm>.isf` (for example `test1_CH1.isf`).

## SAVE:WAVEform:FILEFormat

Specifies or returns the file format for saved waveforms. Waveform header and timing information is included in the resulting file of non-internal formats. The oscilloscope saves DPO waveforms as a 500 x 200 matrix, with the first row corresponding to the most recently acquired data. The values specified by [DATA:START](#) and [DATA:STOP](#) determine the range of waveform data to output. In the event that [DATA:STOP](#) value is greater than the current record length, the current record length determines the last output value.

**Group** Save and Recall

**Syntax** `SAVE:WAVEform:FILEFormat {INTERNAL|SPREADSheet}`  
`SAVE:WAVEform:FILEFormat?`

**Related Commands** [CURVe](#), [DATA](#), [DATA:START](#), [DATA:STOP](#), [SAVE:WAVEform](#), [WFMinpre:NR\\_Pt](#), [WFMOupre:NR\\_Pt?](#)

**Arguments** `INTERNAL` specifies that waveforms are saved in an internal format, using a `.isf` filename extension. These files can be recalled as reference waveforms. When this argument is specified, the settings specified via the [DATA:START](#) and [DATA:STOP](#) commands have no meaning as the entire waveform is saved.

`SPREADSheet` specifies that waveform data is saved in a format that contains comma delimited values. These waveform data files are named using the `.csv` filename extension. Saving waveforms in CSV format enables spreadsheet programs to import the data.

**Examples** `SAVE:WAVEFORM:FILEFORMAT INTERNAL` specifies that the internal file format is the format used for saving waveforms.

`SAVE:WAVEFORM:FILEFORMAT?` might return `:SAVE:WAVEFORM:FILEFORMAT INTERNAL` indicating that waveforms are saved using the internal format.

## SAVE:WAVEform:GATIng

Specifies whether save waveform operations should save the entire waveform (`NONE`) or a specified portion of the waveform.

<b>Group</b>	Save and Recall
<b>Syntax</b>	SAVE:WAVEform:GATING {NONE CURSors SCREEN} SAVE:WAVEform:GATING?
<b>Arguments</b>	CURSors turns on cursors and the gates are the waveform record points at the cursor positions.  NONE saves the entire waveform.  SCREEN, if zoom is on, the gates are the start and end waveform record points of the zoom (upper) graticule, otherwise the gates are the start and end waveform record points of the main graticule.
<b>Examples</b>	SAVE:WAVEFORM:GATING CURSors specifies that, when the waveform gating is set to cursors, save waveform operations should save the waveform points between the cursors. If cursors are turned off, waveform gating automatically reverts to NONE.

## SEARCH? (Query Only)

Returns all search-related settings.

<b>Group</b>	Search
<b>Syntax</b>	SEARCH?
<b>Examples</b>	SEARCH? might return:  :SEARCH:SEARCH1:TRIG:A:BUS:B1:SPI:COND SS;DAT:MOSI:VAL "XXXXXXXX";:SEARCH:SEARCH1:TRIG:A:BUS:B1:SPI: DAT:MISO:VAL "XXXXXXXX";:SEARCH:SEARCH1:TRIG:A:BUS:B1:SPI:DAT: SIZ 1;:SEARCH:SEARCH1:TRIG:A:BUS:B1:I2C:COND STAR;DAT:VAL "XXXXXXXX";SIZ 1;DIR NOCARE;:SEARCH:SEARCH1:TRIG:A:BUS:B1:I2C:ADDR:MOD ADDR7;TYP USER;VAL "XXXXXXXX";:SEARCH:SEARCH1:TRIG:A:BUS:B1:CAN:COND SOF;FRAME DATA;DAT:VAL "XXXXXXXX";SIZ 1;D IR NOCARE;QUAL EQU;:SEARCH:SEARCH1:TRIG:A:BUS:B1:CAN:ID:MOD ST;VAL "XXXXXXXXXXXX";:SEARCH:SEARCH1:TRI G:A:BUS:B2:SPI:COND SS;DAT:MOSI:VAL "XXXXXXXX";:SEARCH:SEARCH1:TRIG:A:BUS:B2:SPI:DAT:MISO:VAL "XXXXX XXX";:SEARCH:SEARCH1:TRIG:A:BUS:B2:SPI:DAT: SIZ 1;:SEARCH:SEARCH1:TRIG:A:BUS:B2:I2C:COND

```

STAR;DAT:VAL "XXXXXXXX";SIZ 1;DIR
NOCARE;;:SEARCH:SEARCH1:TRIG:A:BUS:B2:I2C:ADDR:MOD ADDR7;TYP
USER;VAL "XXXXXXXX" ;:SEARCH:SEARCH1:TRIG:A:BUS:B2:CAN:COND
SOF;FRAME DATA;DAT:VAL "XXXXXXXX";SIZ 1;DIR NOCARE;QUAL
EQU; :SEARCH:SEARCH1:TRIG:A:BUS:B2:CAN:ID:MOD ST;VAL
"XXXXXXXXXXXX";:SEARCH:SEARCH1:TRIG:A:BUS:SOU B1;:SEA
RCH:SEARCH1:TRIG:A:TYP EDG;LEV 0.0000;LEV:CH1
0.0000;CH2 0.0000;CH3 0.0000;CH4 0.0000;MATH
0.0000;RE F1 0.0000;REF2 0.0000;REF3 0.0000;REF4
0.0000;:SEARCH:SEARCH1:TRIG:A:UPP:CH1 800.0000E-3;CH2
800.000 0E-3;CH3 800.0000E-3;CH4 800.0000E-3;MATH
800.0000E-3;REF1 800.0000E-3;REF2 800.0000E-3;REF3 800.000
0E-3;REF4 800.0000E-3;:SEARCH:SEARCH1:TRIG:A:LOW:CH1
0.0000;CH2 0.0000;CH3 0.0000;CH4 0.0000;MATH 0.
0000;REF1 0.0000;REF2 0.0000;REF3 0.0000;REF4
0.0000;:SEARCH:SEARCH1:TRIG:A:EDGE:SOU CH1;SLO
RIS;:SE ARCH:SEARCH1:TRIG:A:LOGI:FUNC AND;THR:CH1
0.0000;CH2 0.0000;CH3 0.0000;CH4 0.0000;MATH
0.0000;REF1 0 .0000;REF2 0.0000;REF3 0.0000;REF4
0.0000;:SEARCH:SEARCH1:TRIG:A:LOGI:INP:CH1 X;CH2 X;CH3
X;CH4 X;MA TH X;REF1 X;REF2 X;REF3 X;REF4 X;CLOC:SOU
NONE;EDGE RIS;:SEARCH:SEARCH1:TRIG:A:LOGI:PAT:INP:CH1
X;CH 2 X;CH3 X;CH4 X;MATH X;REF1 X;REF2 X;REF3 X;REF4
X;:SEARCH:SEARCH1:TRIG:A:LOGI:PAT:WHE TRU;WHE:LESSL
8.0000E-9;L 8.0000E-9;:SEARCH:SEARCH1:TRIG:A:PULSEW:SOU
CH1;POL POS;WHE LESS;WID 8.0000E-9;:SEA
RCH:SEARCH1:TRIG:A:RUNT:SOU CH1;POL POS;WHE OCCURS;WID
8.0000E-9;:SEARCH:SEARCH1:TRIG:A:TRAN:SOU CH1 ;POL POS;WHE
SLOW;DELT 8.0000E-9;:SEARCH:SEARCH1:TRIG:A:SETH:CLOC:SOU
CH1;EDGE RIS;THR 0.0000;:SEARC H:SEARCH1:TRIG:A:SETH:DAT:SOU
CH2;THR 0.0000;:SEARCH:SEARCH1:TRIG:A:SETH:HOLDT
8.0000E-9;SETT 8.0000 E-9;:SEARCH:SEARCH1:STATE 0
    
```

## SEARCH:SEARCH<x>:COPY (No Query Form)

Copies the search criteria to the trigger, or the trigger criteria to a search. <x> is the search number.

<b>Group</b>	Search
<b>Syntax</b>	SEARCH:SEARCH<x>:COPY {SEARCHtotrigger TRIGgertosearch}
<b>Arguments</b>	SEARCHtotrigger copies the search criteria to the trigger TRIGgertosearch copies the trigger criteria to the search

## SEARCH:SEARCH<x>:STATE

Sets the search state to on or off. <x> is the search number, which is always 1. The query form returns the search state.

**Group** Search

**Syntax** SEARCH:SEARCH<x>:STATE {<NR1>|OFF|ON}  
SEARCH:SEARCH<x>:STATE?

**Arguments** OFF or <NR1> = 0 sets the search state to off.  
ON or <NR1> ≠ 0 sets the search state to on.

## SEARCH:SEARCH<x>:TOTAL? (Query Only)

Returns the total number of matches for the search. The total number of matches may be than the number of marks placed. <x> is the search number, which is always 1.

**Group** Search

**Syntax** SEARCH:SEARCH<x>:TOTAL?

**Returns** <NR1> is the total number of matches.

## SEARCH:SEARCH<x>:TRIGger:A:BUS? (Query Only)

Returns the serial search type. <x> is the search number, which is always 1. There are four serial buses, B1 through B4.

**Conditions** This command requires a DPO4AUTO or DPO4EMBD application module.

**Group** Search

**Syntax** SEARCH:SEARCH<x>:TRIGger:A:BUS?

**Returns** I2C specifies the Inter-IC bus.

SPI specifies the Serial Peripheral Interface bus.

CAN specifies the Controller Area Network bus.

**Examples**      SEARCH:SEARCH1:TRIGGER:A:BUS? might return  
SEARCH:SEARCH1:TRIGGER:A:BUS:B1:SPI:CONDITION  
SS;;SEARCH:SEARCH1:TRIGGER:A:BUS:B2:SPI:CONDITION  
SS;;SEARCH:SEARCH1:TRIGGER:A:BUS:B3:SPI:CONDITION  
SS;;SEARCH:SEARCH1:TRIGGER:A:BUS:B4:SPI:CONDITION  
SS;;SEARCH:SEARCH1:TRIGGER:A:BUS:B1:SPI:DATA:MOSI:VALUE "XX".

## SEARCH:SEARCH<x>:TRIGger:A:BUS:B<1-4>:AUDio:CONDition

Sets or returns the search trigger condition for the AUDIO bus: Start of Frame or Data.

**Conditions**      This command requires DPO4AUDIO application module.

**Group**            Search

**Syntax**            SEARCH:SEARCH<x>:TRIGger:A:BUS:B<1-4>:AUDio:CONDition  
                         {SOF|DATA}  
                         SEARCH:SEARCH<x>:TRIGger:A:BUS:B<1-4>:AUDio:CONDition?

**Arguments**        SOF enables triggering at the start of frame for the audio bus.  
                         DATA enables triggering on matching data for the audio bus.

## SEARCH:SEARCH<x>:TRIGger:A:BUS:B<1-4>:AUDio:DATA:HIVALue

Sets or returns the search trigger data upper word for the AUDIO bus.

**Conditions**        This command requires DPO4AUDIO application module.

**Group**            Search

**Syntax**            SEARCH:SEARCH<x>:TRIGger:A:BUS:B<1-4>:AUDio:DATA:HIVALue  
                         <String>  
                         SEARCH:SEARCH<x>:TRIGger:A:BUS:B<1-4>:AUDio:DATA:HIVALue?

**Arguments** <String> specifies the search data trigger data upper word.

## SEARCH:SEARCH<x>:TRIGger:A:BUS:B<1-4>:AUDio:DATA:OFFSet

Sets or returns the search trigger data offset for the AUDIO bus.

**Conditions** This command requires DPO4AUDIO application module.

**Group** Search

**Syntax** SEARCH:SEARCH<x>:TRIGger:A:BUS:B<1-4>:AUDio:DATA:OFFSet  
<NR1>  
SEARCH:SEARCH<x>:TRIGger:A:BUS:B<1-4>:AUDio:DATA:OFFSet?

**Arguments** <NR1> is the search trigger data offset value.

## SEARCH:SEARCH<x>:TRIGger:A:BUS:B<1-4>:AUDio:DATA:QUALifier

Sets or returns the search trigger data qualifier for the AUDIO bus.

**Conditions** This command requires DPO4AUDIO application module.

**Group** Search

**Syntax** SEARCH:SEARCH<x>:TRIGger:A:BUS:B<1-4>:AUDio:DATA:QUALifier  
{LESSThan|MOREThan|EQUa1|UNEQUa1|LESSEQUa1|MOREEQUa1|INrange|OUTrang  
SEARCH:SEARCH<x>:TRIGger:A:BUS:B<1-4>:AUDio:DATA:QUALifier?

**Arguments** LESSThan sets the search trigger data qualifier to less than.  
MOREThan sets the search trigger data qualifier to greater than.  
EQUa1 sets the search trigger data qualifier to equal.  
UNEQUa1 sets the search trigger data qualifier to not equal.  
LESSEQUa1 sets the search trigger data qualifier to less than or equal.  
MOREEQUa1 sets the search trigger data qualifier to greater than or equal.  
INrange sets the search trigger data qualifier to in range.  
OUTrange sets the search trigger data qualifier to out of range.

## SEARCH:SEARCH<x>:TRIGger:A:BUS:B<1-4>:AUDio:DATA:VALue

Sets or returns the search trigger data lower word for the AUDIO bus.

<b>Conditions</b>	This command requires DPO4AUDIO application module.
<b>Group</b>	Search
<b>Syntax</b>	SEARCH:SEARCH<x>:TRIGger:A:BUS:B<1-4>:AUDio:DATA:VALue <String> SEARCH:SEARCH<x>:TRIGger:A:BUS:B<1-4>:AUDio:DATA:VALue?
<b>Arguments</b>	<String> is the search trigger data lower word.

## SEARCH:SEARCH<x>:TRIGger:A:BUS:B<1-4>:AUDio:DATA:WORD

Sets or returns the search trigger data alignment for the AUDIO bus.

<b>Conditions</b>	This command requires DPO4AUDIO application module.
<b>Group</b>	Search
<b>Syntax</b>	SEARCH:SEARCH<x>:TRIGger:A:BUS:B<1-4>:AUDio:DATA:WORD {EITher LEFT RIGHT} SEARCH:SEARCH<x>:TRIGger:A:BUS:B<1-4>:AUDio:DATA:WORD?
<b>Arguments</b>	EITher aligns the search trigger data to either left or right. LEFT aligns the search trigger data to the left. RIGHT aligns the search trigger data to the right.

## SEARCH:SEARCH<x>:TRIGger:A:BUS:B<x>:CAN:CONDition

Sets or returns the search condition for a CAN trigger search. SEARCH<x> is the search number and B<x> is the bus number.

<b>Conditions</b>	This command requires a DPO4AUTO application module.
-------------------	--



**Group** Search

**Syntax** SEARCH:SEARCH<x>:TRIGger:A:BUS:B<x>:CAN:CONDition  
{SOF|FRAMEtype|IDentifier|DATA|IDANDDATA|EOF|ACKMISS}  
SEARCH:SEARCH<x>:TRIGger:A:BUS:B<x>:CAN:CONDition?

**Arguments** SOF specifies a search based on the start of frame.  
FRAMEtype specifies a search based on the frame type.  
IDentifier specifies a search based on the frame identifier.  
DATA specifies a search based on the frame data.  
IDANDDATA specifies a search based on the frame identifier and data.  
EOF specifies a search base on the end of frame.  
ACKMISS specifies a search based on the missing ACK field.

## SEARCH:SEARCH<x>:TRIGger:A:BUS:B<x>:CAN:DATA:DIRection

Sets or returns the CAN search to be valid for Read, Write, or Either condition if the criteria is IDentifier. SEARCH<x> is the search number and B<x> is the bus number. This only applies if the search condition is IDentifier.

**Conditions** This command requires a DPO4AUTO application module.

**Group** Search

**Syntax** SEARCH:SEARCH<x>:TRIGger:A:BUS:B<x>:CAN:DATA:DIRection  
{READ|WRITE|NOCARE}  
SEARCH:SEARCH<x>:TRIGger:A:BUS:B<x>:CAN:DATA:DIRection?

**Related Commands** [SEARCH:SEARCH<x>:TRIGger:A:BUS:B<x>:CAN:CONDition](#)

**Arguments** READ specifies the read condition.  
WRITE specifies the write condition.  
NOCARE specifies either a read or write condition.

## SEARCH:SEARCH<x>:TRIGger:A:BUS:B<x>:CAN:DATA:QUALifier

Sets or returns the CAN data qualifier for a search. SEARCH<x> is the search number and B<x> is the bus number. This only applies if the trigger condition is IDANDDATA or DATA.

<b>Conditions</b>	This command requires a DPO4AUTO application module.
<b>Group</b>	Search
<b>Syntax</b>	SEARCH:SEARCH<x>:TRIGger:A:BUS:B<x>:CAN:DATA:QUALifier {LESSThan Than EQUal UNEQUal LESSEQUal EQUal} SEARCH:SEARCH<x>:TRIGger:A:BUS:B<x>:CAN:DATA:QUALifier?
<b>Related Commands</b>	<a href="#">SEARCH:SEARCH&lt;x&gt;:TRIGger:A:BUS:B&lt;x&gt;:CAN:DATA:VALue</a>
<b>Arguments</b>	<p>LESSThan searches for bus data less than the value specified by <a href="#">SEARCH:SEARCH&lt;x&gt;:TRIGger:A:BUS:B&lt;x&gt;:CAN:DATA:VALue</a>.</p> <p>Than searches for bus data greater than the value specified by <a href="#">SEARCH:SEARCH&lt;x&gt;:TRIGger:A:BUS:B&lt;x&gt;:CAN:DATA:VALue</a>.</p> <p>EQUal searches for bus data equal to the value specified by <a href="#">SEARCH:SEARCH&lt;x&gt;:TRIGger:A:BUS:B&lt;x&gt;:CAN:DATA:VALue</a>.</p> <p>UNEQUal searches for bus data not equal to the value specified by <a href="#">SEARCH:SEARCH&lt;x&gt;:TRIGger:A:BUS:B&lt;x&gt;:CAN:DATA:VALue</a>.</p> <p>LESSEQUal searches for bus data less equal to the value specified by <a href="#">SEARCH:SEARCH&lt;x&gt;:TRIGger:A:BUS:B&lt;x&gt;:CAN:DATA:VALue</a>.</p> <p>EQUal searches for bus data equal to the value specified by <a href="#">SEARCH:SEARCH&lt;x&gt;:TRIGger:A:BUS:B&lt;x&gt;:CAN:DATA:VALue</a>.</p>

## SEARCH:SEARCH<x>:TRIGger:A:BUS:B<x>:CAN:DATA:SIZE

Sets or returns the length of the data string in bytes to be used for a CAN search if the search condition is DATA or IDANDDATA. SEARCH<x> is the search number and B<x> is the bus number.

<b>Conditions</b>	This command requires a DPO4AUTO application module.
<b>Group</b>	Search

**Syntax** SEARCH:SEARCH<x>:TRIGger:A:BUS:B<x>:CAN:DATA:SIZE <NR1>  
SEARCH:SEARCH<x>:TRIGger:A:BUS:B<x>:CAN:DATA:SIZE?

**Arguments** <NR1> is the data string length in bytes.

## SEARCH:SEARCH<x>:TRIGger:A:BUS:B<x>:CAN:DATA:VALue

Sets or returns the binary data string to be used for a CAN search if the search condition is ID or IDANDDATA. SEARCH<x> is the search number and B<x> is the bus number.

**Conditions** This command requires a DPO4AUTO application module.

**Group** Search

**Syntax** SEARCH:SEARCH<x>:TRIGger:A:BUS:B<x>:CAN:DATA:VALue <bin>  
SEARCH:SEARCH<x>:TRIGger:A:BUS:B<x>:CAN:DATA:VALue?

**Related Commands** [SEARCH:SEARCH<x>:TRIGger:A:BUS:B<x>:CAN:DATA:QUALifier](#)

**Arguments** <bin> is the data in binary format.

## SEARCH:SEARCH<x>:TRIGger:A:BUS:B<x>:CAN:FRAMEtype

Sets or returns the CAN Frame Type to be used if the trigger search condition is Frame Type. SEARCH<x> is the search number and B<x> is the bus number.

**Conditions** This command requires a DPO4AUTO application module.

**Group** Search

**Syntax** SEARCH:SEARCH<x>:TRIGger:A:BUS:B<x>:CAN:FRAMEtype  
{DATA|REMOte|ERRor|OVERLoad}  
SEARCH:SEARCH<x>:TRIGger:A:BUS:B<x>:CAN:FRAMEtype?

**Arguments** DATA specifies a data frame.  
REMOte specifies a remote frame.

ERROR specifies an error frame.

OVERLOAD specifies an overload frame.

## **SEARCH:SEARCH<x>:TRIGGER:A:BUS:B<x>:CAN{:Identifier|:Address}:MODE**

Sets or returns the CAN addressing mode for a trigger search to a standard or extended format. SEARCH<x> is the search number and B<x> is the bus number.

**Conditions** This command requires a DPO4AUTO application module.

**Group** Search

**Syntax** SEARCH:SEARCH<x>:TRIGGER:A:BUS:B<x>:CAN{:Identifier|:  
Address}:MODE {Standard|Extended}  
SEARCH:SEARCH<x>:TRIGGER:A:BUS:B<x>:CAN{:Identifier|:  
Address}:MODE?

**Arguments** Standard specifies an 11-bit identifier field.

Extended specifies a 29-bit identifier field.

## **SEARCH:SEARCH<x>:TRIGGER:A:BUS:B<x>:CAN{:Identifier|:Address}:VALUE**

Sets or returns the binary address string to be used for a CAN trigger search if the search condition is ID or IDANDDATA. SEARCH<x> is the search number and B<x> is the bus number.

**Conditions** This command requires a DPO4AUTO application module.

**Group** Search

**Syntax** SEARCH:SEARCH<x>:TRIGGER:A:BUS:B<x>:CAN{:Identifier|:  
Address}:VALUE <bin>  
SEARCH:SEARCH<x>:TRIGGER:A:BUS:B<x>:CAN{:Identifier|:  
Address}:VALUE?

**Arguments** <bin> is the address in binary format.

## SEARCH:SEARCH<x>:TRIGger:A:BUS:B<x>:FLEXray:CONDition

Sets or returns the trigger condition for FLEXRAY.

**Group** Search

**Syntax** SEARCH:SEARCH<x>:TRIGger:A:BUS:B<x>:FLEXray:CONDition  
{SOF|FRAMETypeid|CYCLEcount|HEADER|DATA|IDANDDATA|EOF|ERROR}  
SEARCH:SEARCH<x>:TRIGger:A:BUS:B<x>:FLEXray:CONDition?

**Arguments** SOF sets the FLEXRAY trigger condition to start of frame.  
FRAMETypeid sets the FLEXRAY trigger condition to a frame type id.  
CYCLEcount sets the FLEXRAY trigger condition to cycle count.  
HEADER sets the FLEXRAY trigger condition to header.  
DATA sets the FLEXRAY trigger condition to data.  
IDANDDATA sets the FLEXRAY trigger condition to ID and data.  
EOF sets the FLEXRAY trigger condition to EOF.  
ERROR sets the FLEXRAY trigger condition to an error.

**Examples** SEARCH:SEARCH1:TRIGGER:A:BUS:B1:FLEXRAY:CONDITION ERROR sets the FLEXRAY condition to ERROR  
SEARCH:SEARCH1:TRIGGER:A:BUS:B1:FLEXRAY:CONDITION? might return SEARCH:SEARCH1:TRIGGER:A:BUS:B1:FLEXRAY:CONDITION SOF indicating the FLEXRAY condition is start of frame.

## SEARCH:SEARCH<x>:TRIGger:A:BUS:B<x>:FLEXray:CYCLEcount:HIVALue

Sets or returns the binary data string to be used for FLEXRAY cycle count high value.

**Group** Search

**Syntax** SEARCH:SEARCH<x>:TRIGger:A:BUS:B<x>:FLEXray:CYCLEcount:  
HIVALue <QString>  
SEARCH:SEARCH<x>:TRIGger:A:BUS:B<x>:FLEXray:CYCLEcount:  
HIVALue?

**Arguments** <QString> is a quoted string that is the cycle count high value.

**Examples** SEARCH:SEARCH1:TRIGGER:A:BUS:B1:FLEXRAY:CYCLECOUNT:HIVALUE  
 "110010" sets the cycle count high value to 110010.  
 SEARCH:SEARCH1:TRIGGER:A:BUS:B1:FLEXRAY:CYCLECOUNT:HIVALUE?  
 might return  
 SEARCH:SEARCH1:TRIGGER:A:BUS:B1:FLEXRAY:CYCLECOUNT:HIVALUE  
 "XXXXXX" indicating the cycle count high value is set to don't cares.

## SEARCH:SEARCH<x>:TRIGger:A:BUS:B<x>:FLEXray:CYCLEcount:QUALifier

Sets or returns the FLEXRAY cycle count qualifier.

**Group** Search

**Syntax** SEARCH:SEARCH<x>:TRIGger:A:BUS:  
 B<x>:FLEXray:CYCLEcount:QUALifier  
 {LESSThan|MOREThan|EQUal|UNEQUal|LESSEQUal|MOREEQUal|INrange|OUTrange}  
 SEARCH:SEARCH<x>:TRIGger:A:BUS:B<x>:FLEXray:CYCLEcount:  
 QUALifier?

**Arguments** LESSThan sets the cycle count qualifier to less than.  
 MOREThan sets the cycle count qualifier to greater than.  
 EQUal sets the cycle count qualifier to equal.  
 UNEQUal sets the cycle count qualifier to not equal.  
 LESSEQUal sets the cycle count qualifier to less than or equal.  
 MOREEQUal sets the cycle count qualifier to greater than or equal.  
 INrange sets the cycle count qualifier to in range.  
 OUTrange sets the cycle count qualifier to out of range.

**Examples** SEARCH:SEARCH1:TRIGGER:A:BUS:B1:FLEXRAY:CYCLECOUNT:QUALIFIER  
 LESSTHANsets the cycle count qualifier to LESSTHAN.  
 SEARCH:SEARCH1:TRIGGER:A:BUS:B1:FLEXRAY:CYCLECOUNT:QUALIFIER?  
 might return  
 SEARCH:SEARCH1:TRIGGER:A:BUS:B1:FLEXRAY:CYCLECOUNT:QUALIFIER  
 EQUAL indicating the cycle count qualifier is set to EQUAL.

## SEARCH:SEARCH<x>:TRIGger:A:BUS:B<x>:FLEXray:CYCLEcount:VALue

Sets or returns the binary data string to be used for FLEXRAY cycle count low value.

<b>Group</b>	Search
<b>Syntax</b>	SEARCH:SEARCH<x>:TRIGger:A:BUS:B<x>:FLEXray:CYCLEcount:VALue <QString> SEARCH:SEARCH<x>:TRIGger:A:BUS:B<x>:FLEXray:CYCLEcount:VALue?
<b>Arguments</b>	<QString> is a quoted string that is the binary cycle count value.
<b>Examples</b>	SEARCH:SEARCH1:TRIGGER:A:BUS:B1:FLEXRAY:CYCLECOUNT:VALUE "110010" sets the cycle count value to 110010.  SEARCH:SEARCH1:TRIGGER:A:BUS:B1:FLEXRAY:CYCLECOUNT:VALUE? might return SEARCH:SEARCH1:TRIGGER:A:BUS:B1:FLEXRAY:CYCLECOUNT:VALUE "XXXXXX" indicating the cycle count value is don't cares.

## SEARCH:SEARCH<x>:TRIGger:A:BUS:B<x>:FLEXray:DATA:HIVALue

Sets or returns the high binary data string used for FLEXRAY trigger if trigger condition is ID or IDANDDATA.

<b>Group</b>	Search
<b>Syntax</b>	SEARCH:SEARCH<x>:TRIGger:A:BUS:B<x>:FLEXray:DATA:HIVALue <QString> SEARCH:SEARCH<x>:TRIGger:A:BUS:B<x>:FLEXray:DATA:HIVALue?
<b>Arguments</b>	<QString> is a quoted string that is the binary high value.
<b>Examples</b>	SEARCH:SEARCH1:TRIGGER:A:BUS:B1:FLEXRAY:DATA:HIVALUE "11001010" sets the high value 11001010.  SEARCH:SEARCH1:TRIGGER:A:BUS:B1:FLEXRAY:DATA:HIVALUE? might return SEARCH:SEARCH1:TRIGGER:A:BUS:B1:FLEXRAY:DATA:HIVALUE "XXXXXXXX" indicating the high value is don't cares.

## SEARCH:SEARCH<x>:TRIGger:A:BUS:B<x>:FLEXray:DATA:OFFSet

Sets or returns the offset of the data string in bytes to be used for FLEXRAY trigger.

<b>Group</b>	Search
<b>Syntax</b>	SEARCH:SEARCH<x>:TRIGger:A:BUS:B<x>:FLEXray:DATA:OFFSet <NR1> SEARCH:SEARCH<x>:TRIGger:A:BUS:B<x>:FLEXray:DATA:OFFSet?
<b>Arguments</b>	<NR1> is the FLEXRAY data offset in bytes. A byte offset of -1 signifies don't care, and no byte offset is used. The instrument will trigger or match any byte value that fits.
<b>Examples</b>	SEARCH:SEARCH1:TRIGGER:A:BUS:B1:FLEXRAY:DATA:OFFSET 10 sets the FLEXRAY data offset to 10 bytes.  SEARCH:SEARCH1:TRIGGER:A:BUS:B1:FLEXRAY:DATA:OFFSET? might return SEARCH:SEARCH1:TRIGGER:A:BUS:B1:FLEXRAY:DATA:OFFSET 0 indicating the offset is set to 0 bytes.

## SEARCH:SEARCH<x>:TRIGger:A:BUS:B<x>:FLEXray:DATA:QUALifier

Sets or returns the FLEXRAY data qualifier.

<b>Group</b>	Search
<b>Syntax</b>	SEARCH:SEARCH<x>:TRIGger:A:BUS:B<x>:FLEXray:DATA:QUALifier {LESSThan MOREThan EQUa1 UNEQUa1 LESSEQUa1 MOREEQUa1  INrange OUTrange} SEARCH:SEARCH<x>:TRIGger:A:BUS:B<x>:FLEXray:DATA:QUALifier?
<b>Arguments</b>	LESSThan sets the FLEXRAY data qualifier to less than.  MOREThan sets the FLEXRAY data qualifier to greater than.  EQUa1 sets the FLEXRAY data qualifier to equal.  UNEQUa1 sets the FLEXRAY data qualifier to not equal.  LESSEQUa1 sets the FLEXRAY data qualifier to less than or equal.  MOREEQUa1 sets the FLEXRAY data qualifier to greater than or equal.



INrange sets the FLEXRAY data qualifier to in range.

OUTrange sets the FLEXRAY data qualifier to out of range.

**Examples**

SEARCH:SEARCH1:TRIGGER:A:BUS:B1:FLEXRAY:DATA:QUALIFIER  
LESSTHAN sets the data qualifier to LESSTHAN.

SEARCH:SEARCH1:TRIGGER:A:BUS:B1:FLEXRAY:DATA:QUALIFIER? might  
return SEARCH:SEARCH1:TRIGGER:A:BUS:B1:FLEXRAY:DATA:QUALIFIER  
EQUAL indicating the data qualifier is EQUAL.

## SEARCH:SEARCH<x>:TRIGger:A:BUS:B<x>:FLEXray:DATA:SIZE

Sets or returns the length of the data string in bytes to be used for FLEXRAY  
trigger.

**Group** Search

**Syntax** SEARCH:SEARCH<x>:TRIGger:A:BUS:B<x>:FLEXray:DATA:SIZE <NR1>  
SEARCH:SEARCH<x>:TRIGger:A:BUS:B<x>:FLEXray:DATA:SIZE?

**Arguments** <NR1> is the length of the data string in bytes. Length range is 1 to 8.

**Examples**

SEARCH:SEARCH1:TRIGGER:A:BUS:B1:FLEXRAY:DATA:SIZE 8 sets the  
data size to 8 bytes.

SEARCH:SEARCH1:TRIGGER:A:BUS:B1:FLEXRAY:DATA:SIZE? might return  
SEARCH:SEARCH1:TRIGGER:A:BUS:B1:FLEXRAY:DATA:SIZE 1 indicating  
the data size is 1 byte.

## SEARCH:SEARCH<x>:TRIGger:A:BUS:B<x>:FLEXray:DATA:VALue

Sets or returns the low binary data string used for FLEXRAY trigger condition if  
trigger condition is ID or IDANDDATA.

**Group** Search

**Syntax** SEARCH:SEARCH<x>:TRIGger:A:BUS:B<x>:FLEXray:DATA:VALue  
<QString>  
SEARCH:SEARCH<x>:TRIGger:A:BUS:B<x>:FLEXray:DATA:VALue?

**Arguments** <Qstring> is a quoted string that is the low binary data string to be used for FLEXRAY trigger condition if trigger condition is ID or IDANDDATA.

**Examples** SEARCH:SEARCH1:TRIGGER:A:BUS:B1:FLEXRAY:DATA:VALUE  
 "11001010" sets the binary data string to 11001010.  
 SEARCH:SEARCH1:TRIGGER:A:BUS:B1:FLEXRAY:DATA:VALUE? might  
 return SEARCH:SEARCH1:TRIGGER:A:BUS:B1:FLEXRAY:DATA:VALUE  
 "XXXXXXXX" indicates the binary data string is don't cares.

## SEARCH:SEARCH<x>:TRIGger:A:BUS:B<x>:FLEXray:EOFTYPE

Sets or returns the end of frame type used for FLEXRAY trigger.

**Group** Search

**Syntax** SEARCH:SEARCH<x>:TRIGger:A:BUS:B<x>:FLEXray:EOFTYPE  
 {STATi c|DYNAMi c|ANY}  
 SEARCH:SEARCH<x>:TRIGger:A:BUS:B<x>:FLEXray:EOFTYPE?

**Arguments** STATi c sets the FLEXRAY end of frame type to STATIC.  
 DYNAMi c sets the FLEXRAY end of frame type to DYNAMIC.  
 ANY sets the FLEXRAY end of frame type to ANY type.

**Examples** SEARCH:SEARCH1:TRIGGER:A:BUS:B1:FLEXRAY:EOFTYPE ANY sets the  
 FLEXRAY end of frame type to any type.  
 SEARCH:SEARCH1:TRIGGER:A:BUS:B1:FLEXRAY:EOFTYPE? might return  
 SEARCH:SEARCH1:TRIGGER:A:BUS:B1:FLEXRAY:EOFTYPE STATi c  
 indicating the FLEXRAY end of frame type is static.

## SEARCH:SEARCH<x>:TRIGger:A:BUS:B<x>:FLEXray:ERRTYPE

Sets or returns the error type be used for FLEXRAY trigger.

**Group** Search

**Syntax** SEARCH:SEARCH<x>:TRIGger:A:BUS:B<x>:FLEXray:ERRTYPE  
 {CRCHeader|CRCTrai ler|SYNCFRame|STARTupnosync|NULLFRStati c|  
 NULLFRDynam i c}  
 SEARCH:SEARCH<x>:TRIGger:A:BUS:B<x>:FLEXray:ERRTYPE?

**Arguments** CRCHeader sets the FLEXRAY error type to CRC header.  
 CRCTrailer sets the FLEXRAY error type to CRC trailer.  
 SYNCFrame sets the FLEXRAY error type to SYNC frame.  
 STARTupnosync sets the FLEXRAY error type to start up with no sync.  
 NULLFRStatic sets the FLEXRAY error type to null frame static.  
 NULLFRDynamic sets the FLEXRAY error type to null frame dynamic.

**Examples** SEARCH:SEARCH1:TRIGGER:A:BUS:B1:FLEXRAY:ERRTYPE SYNCFRAME sets the FLEXRAY error type SYNCFRAME  
 SEARCH:SEARCH1:TRIGGER:A:BUS:B1:FLEXRAY:ERRTYPE? might return SEARCH:SEARCH1:TRIGGER:A:BUS:B1:FLEXRAY:ERRTYPE CRCHEADER indicating the FLEXRAY error type is CRCHEADER

## SEARCH:SEARCH<x>:TRIGger:A:BUS:B<x>:FLEXray:FRAMEID:HIVALue

Sets or returns the binary data string used for FLEXRAY frame ID high value.

**Group** Search

**Syntax** SEARCH:SEARCH<x>:TRIGger:A:BUS:B<x>:FLEXray:FRAMEID:HIVALue <QString>  
 SEARCH:SEARCH<x>:TRIGger:A:BUS:B<x>:FLEXray:FRAMEID:HIVALue?

**Arguments** <QString> is a quoted string representing the binary data string used for FLEXRAY frame ID high value.

**Examples** SEARCH:SEARCH1:TRIGGER:A:BUS:B1:FLEXRAY:FRAMEID:HIVALUE "00101100101" sets the frame id high value to 00101100101.  
 SEARCH:SEARCH1:TRIGGER:A:BUS:B1:FLEXRAY:FRAMEID:HIVALUE? might return SEARCH:SEARCH1:TRIGGER:A:BUS:B1:FLEXRAY:FRAMEID:HIVALUE "XXXXXXXXXXXX" indicating the frame id high value is don't cares.

## SEARCH:SEARCH<x>:TRIGger:A:BUS:B<x>:FLEXray:FRAMEID:QUALifier

Sets or returns the FLEXRAY frame ID qualifier.

<b>Group</b>	Search
<b>Syntax</b>	SEARCH:SEARCH<x>:TRIGger:A:BUS: B<x>:FLEXray:FRAMEID:QUALifier {LESSThan MOREThan EQUa1 UNEQua1 LESSEQua1 MOREEQua1  INrange OUTrange} SEARCH:SEARCH<x>:TRIGger:A:BUS:B<x>:FLEXray:FRAMEID: QUALifier?
<b>Arguments</b>	LESSThan sets the frame id qualifier to LESSThan MOREThan sets the frame id qualifier to MOREThan QUa1 sets the frame id qualifier to QUa1 UNEQua1 sets the frame id qualifier to UNEQual LESSEQua1 sets the frame id qualifier to LESSEQual MOREEQua1 sets the frame id qualifier to MOREEQual INrange sets the frame id qualifier to INrange OUTrange sets the frame id qualifier to OUTrange
<b>Examples</b>	SEARCH:SEARCH1:TRIGGER:A:BUS:B1:FLEXRAY:FRAMEID:QUALIFIER OUTRANGE sets the frame id qualifier to out of range.  SEARCH:SEARCH1:TRIGGER:A:BUS:B1:FLEXRAY:FRAMEID:QUALIFIER? might return SEARCH:SEARCH1:TRIGGER:A:BUS:B1:FLEXRAY:FRAMEID:QUALIFIER EQUAL indicating the frame id qualifier is EQUAL.

## SEARCH:SEARCH<x>:TRIGger:A:BUS:B<x>:FLEXray:FRAMEID:VALue

Sets or returns the binary data string to be used for FLEXRAY frame ID low value.

<b>Group</b>	Search
<b>Syntax</b>	SEARCH:SEARCH<x>:TRIGger:A:BUS:B<x>:FLEXray:FRAMEID:VALue <Qstring> SEARCH:SEARCH<x>:TRIGger:A:BUS:B<x>:FLEXray:FRAMEID:VALue?
<b>Arguments</b>	<Qstring> is a quoted string representing the binary data string used for FLEXRAY frame ID low value.

**Examples** SEARCH:SEARCH1:TRIGGER:A:BUS:B1:FLEXRAY:FRAMEID:VALUE "11001101010" sets the value of the frame id is 11001101010.

SEARCH:SEARCH1:TRIGGER:A:BUS:B1:FLEXRAY:FRAMEID:VALUE? might return SEARCH:SEARCH1:TRIGGER:A:BUS:B1:FLEXRAY:FRAMEID:VALUE "10110010101" indicating the value of the frame id is 10110010101.

## SEARCH:SEARCH<x>:TRIGger:A:BUS:B<x>:FLEXray:FRAMEType

Sets or returns the frame type for FLEXRAY.

**Group** Search

**Syntax** SEARCH:SEARCH<x>:TRIGger:A:BUS:B<x>:FLEXray:FRAMEType {NORMa1|PAYLoad|NULL|SYNC|STARTUp}  
SEARCH:SEARCH<x>:TRIGger:A:BUS:B<x>:FLEXray:FRAMEType?

**Arguments** NORMa1 sets the FLEXRAY frame type to normal.  
PAYLoad sets the FLEXRAY frame type to payload.  
NULL sets the FLEXRAY frame type to NULL.  
SYNC sets the FLEXRAY frame type to sync.  
STARTUp sets the FLEXRAY frame type to start up.

**Examples** SEARCH:SEARCH1:TRIGGER:A:BUS:B1:FLEXRAY:FRAMETYPE STARTUP sets the flexray frame type to startup.

SEARCH:SEARCH1:TRIGGER:A:BUS:B1:FLEXRAY:FRAMETYPE? might return SEARCH:SEARCH1:TRIGGER:A:BUS:B1:FLEXRAY:FRAMETYPE NORMAL indicating the flexray frame type is normal.

## SEARCH:SEARCH<x>:TRIGger:A:BUS:B<x>:FLEXray:HEADER:CRC

Sets or returns the CRC portion of the binary header string to be used for FLEXRAY trigger.

**Group** Search

**Syntax** SEARCH:SEARCH<x>:TRIGger:A:BUS:B<x>:FLEXray:HEADER:CRC <QString>  
SEARCH:SEARCH<x>:TRIGger:A:BUS:B<x>:FLEXray:HEADER:CRC?

**Arguments** <QString> is a quoted string representing the CRC portion of the binary header string used for FLEXRAY trigger.

**Examples** SEARCH:SEARCH1:TRIGGER:A:BUS:B1:FLEXRAY:HEADER:CRC  
"00110010101" sets the CRC portion of the binary header string 00110010101.  
SEARCH:SEARCH1:TRIGGER:A:BUS:B1:FLEXRAY:HEADER:CRC? might  
return SEARCH:SEARCH1:TRIGGER:A:BUS:B1:FLEXRAY:HEADER:CRC  
"XXXXXXXXXXXX" indicating the CRC portion of the binary header string is don't  
cares.

## SEARCH:SEARCH<x>:TRIGger:A:BUS:B<x>:FLEXray:HEADER:CYCLEcount

Sets or returns the cycle count portion of the binary header string used for FLEXRAY trigger.

**Group** Search

**Syntax** SEARCH:SEARCH<x>:TRIGger:A:BUS:B<x>:FLEXray:HEADER:  
CYCLEcount <QString>  
SEARCH:SEARCH<x>:TRIGger:A:BUS:B<x>:FLEXray:HEADER:  
CYCLEcount?

**Arguments** <QString> is a quoted string representing the cycle count portion of the binary header String used for FLEXRAY trigger.

**Examples** SEARCH:SEARCH1:TRIGGER:A:BUS:B1:FLEXRAY:HEADER:CYCLECOUNT  
"001101" sets the cycle count to 001101.  
SEARCH:SEARCH1:TRIGGER:A:BUS:B1:FLEXRAY:HEADER:CYCLECOUNT?  
might return  
SEARCH:SEARCH1:TRIGGER:A:BUS:B1:FLEXRAY:HEADER:CYCLECOUNT  
"XXXXXX" indicating the cycle count is don't cares.

## SEARCH:SEARCH<x>:TRIGger:A:BUS:B<x>:FLEXray:HEADER:FRAMEID

Sets or returns the frame id portion of the binary header string used for FLEXRAY trigger.

**Group** Search

<b>Syntax</b>	SEARCH:SEARCH<x>:TRIGger:A:BUS:B<x>:FLEXray:HEADER:FRAMEID <QString> SEARCH:SEARCH<x>:TRIGger:A:BUS:B<x>:FLEXray:HEADER:FRAMEID?
<b>Arguments</b>	<QString> is a quoted string representing the frame id portion of the binary header string used for FLEXRAY trigger.
<b>Examples</b>	SEARCH:SEARCH1:TRIGGER:A:BUS:B1:FLEXRAY:HEADER:FRAMEID "10110010101" sets the frame id portion of the binary header string to 10110010101.  SEARCH:SEARCH1:TRIGGER:A:BUS:B1:FLEXRAY:HEADER:FRAMEID? might return SEARCH:SEARCH1:TRIGGER:A:BUS:B1:FLEXRAY:HEADER:FRAMEID "XXXXXXXXXXXX" indicating the frame id portion of the binary header string is don't cares.

## SEARCH:SEARCH<x>:TRIGger:A:BUS:B<x>:FLEXray:HEADER:INDBits

Sets or returns the indicator bits portion of the binary header string used for FLEXRAY trigger.

<b>Group</b>	Search
<b>Syntax</b>	SEARCH:SEARCH<x>:TRIGger:A:BUS:B<x>:FLEXray:HEADER:INDBits <QString> SEARCH:SEARCH<x>:TRIGger:A:BUS:B<x>:FLEXray:HEADER:INDBits?
<b>Arguments</b>	<QString> is a quoted string representing the indicator bits portion of the binary header string used for FLEXRAY trigger.
<b>Examples</b>	SEARCH:SEARCH1:TRIGGER:A:BUS:B1:FLEXRAY:HEADER:INDBITS "10100" sets the indicator bits of the header to 10100.  SEARCH:SEARCH1:TRIGGER:A:BUS:B1:FLEXRAY:HEADER:INDBITS? might return SEARCH:SEARCH1:TRIGGER:A:BUS:B1:FLEXRAY:HEADER:INDBITS "XXXXX" indicating the indicator bits of the header are don't cares.

## SEARCH:SEARCH<x>:TRIGger:A:BUS:B<x>:FLEXray:HEADER:PAYLength

Sets or returns the payload length portion of the binary header string used for FLEXRAY trigger.

<b>Group</b>	Search
<b>Syntax</b>	SEARCH:SEARCH<x>:TRIGger:A:BUS:B<x>:FLEXray:HEADER:PAYLength <QString> SEARCH:SEARCH<x>:TRIGger:A:BUS:B<x>:FLEXray:HEADER: PAYLength?
<b>Arguments</b>	<QString> is a quoted string representing the payload length portion of the binary header string used for FLEXRAY trigger.
<b>Examples</b>	SEARCH:SEARCH1:TRIGGER:A:BUS:B1:FLEXRAY:HEADER:PAYLENGTH "1001101" sets the payload length portion of the binary header string to 1001101.  SEARCH:SEARCH1:TRIGGER:A:BUS:B1:FLEXRAY:HEADER:PAYLENGTH? might return SEARCH:SEARCH1:TRIGGER:A:BUS:B1:FLEXRAY:HEADER:PAYLENGTH "XXXXXXX" indicating the payload length portion of the binary header string is don't cares.

## SEARCH:SEARCH<x>:TRIGger:A:BUS:B<x>:I2C:ADDRess:MODE

Sets or returns the I2C address mode to 7 or 10-Bit. SEARCH<x> is the search number and B<x> is the bus number.

<b>Conditions</b>	This command requires a DPO4EMBD application module.
<b>Group</b>	Search
<b>Syntax</b>	SEARCH:SEARCH<x>:TRIGger:A:BUS:B<x>:I2C:ADDRess:MODE {ADDR7 ADDR10} SEARCH:SEARCH<x>:TRIGger:A:BUS:B<x>:I2C:ADDRess:MODE?
<b>Arguments</b>	ADDR7 specifies 7-bit addresses. ADDR10 specifies 10-bit addresses.

## SEARCH:SEARCH<x>:TRIGger:A:BUS:B<x>:I2C:ADDRess:TYPE

Sets or returns the I2C address type. SEARCH<x> is the search number and B<x> is the bus number.



<b>Conditions</b>	This command requires a DPO4EMBD application module.
<b>Group</b>	Search
<b>Syntax</b>	SEARCH:SEARCH<x>:TRIGger:A:BUS:B<x>:I2C:ADDRess:TYPE {GENeralcall STARtbyte HSmode EEPROM USER} SEARCH:SEARCH<x>:TRIGger:A:BUS:B<x>:I2C:ADDRess:TYPE?
<b>Arguments</b>	GENeralcall specifies the GENeralcall address type. STARtbyte specifies the STARtbyte address type. HSmode specifies the HSmode address type EEPROM specifies the EEPROM address type. USER specifies a user address.

## SEARCH:SEARCH<x>:TRIGger:A:BUS:B<x>:I2C:ADDRess:VALue

Sets or returns the binary address string to be used for an I2C trigger search if the search condition is ADDR or ADDRANDDATA. SEARCH<x> is the search number and B<x> is the bus number.

<b>Conditions</b>	This command requires a DPO4EMBD application module.
<b>Group</b>	Search
<b>Syntax</b>	SEARCH:SEARCH<x>:TRIGger:A:BUS:B<x>:I2C:ADDRess:VALue <bin> SEARCH:SEARCH<x>:TRIGger:A:BUS:B<x>:I2C:ADDRess:VALue?
<b>Arguments</b>	<bin> is the address in binary format.

## SEARCH:SEARCH<x>:TRIGger:A:BUS:B<x>:I2C:CONDition

Sets or returns the search condition for an I2C trigger search. SEARCH<x> is the search number and B<x> is the bus number.

<b>Conditions</b>	This command requires a DPO4EMBD application module.
<b>Group</b>	Search

**Syntax** SEARCH:SEARCH<x>:TRIGger:A:BUS:B<x>:I2C:CONDition  
 {START|STOP|REPEATstart|ACKMISS|ADDRESS|DATA|ADDRANDDATA}  
 SEARCH:SEARCH<x>:TRIGger:A:BUS:B<x>:I2C:CONDition?

**Arguments** START specifies a search based on a start condition.  
 STOP specifies a search based on a stop condition.  
 REPEATstart specifies a search based on a repeat of start condition.  
 ACKMISS specifies a search based on a missing acknowledgement condition.  
 ADDRESS specifies a search based on an address.  
 DATA specifies a search based on a data condition.  
 ADDRANDDATA specifies a search based on an address and data condition.

## SEARCH:SEARCH<x>:TRIGger:A:BUS:B<x>:I2C:DATA:DIRection

Sets or returns the I2C search condition to be valid on a Read, Write, or Either condition. SEARCH<x> is the search number and B<x> is the bus number.

**Conditions** This command requires a DPO4EMBD application module.

**Group** Search

**Syntax** SEARCH:SEARCH<x>:TRIGger:A:BUS:B<x>:I2C:DATA:DIRection  
 {READ|WRITE|NOCARE}  
 SEARCH:SEARCH<x>:TRIGger:A:BUS:B<x>:I2C:DATA:DIRection?

**Arguments** READ specifies a read condition.  
 WRITE specifies a write condition.  
 NOCARE specifies either a read or write condition.

## SEARCH:SEARCH<x>:TRIGger:A:BUS:B<x>:I2C:DATA:SIze

Sets or returns the length of the data string in bytes to be used for an I2C trigger search if the search condition is DATA or ADDRANDDATA. SEARCH<x> is the search number and B<x> is the bus number.

**Conditions** This command requires a DPO4EMBD application module.

<b>Group</b>	Search
<b>Syntax</b>	SEARCH:SEARCH<x>:TRIGger:A:BUS:B<x>:I2C:DATA:SIZE <NR1> SEARCH:SEARCH<x>:TRIGger:A:BUS:B<x>:I2C:DATA:SIZE?
<b>Arguments</b>	<NR1> is the data string length in bytes.

## SEARCH:SEARCH<x>:TRIGger:A:BUS:B<x>:I2C:DATA:VALue

Sets or returns the binary data string to be used for an I2C trigger search if the search condition is DATA or ADDRANDDATA. SEARCH<x> is the search number and B<x> is the bus number.

<b>Conditions</b>	This command requires a DPO4EMBD application module.
<b>Group</b>	Search
<b>Syntax</b>	SEARCH:SEARCH<x>:TRIGger:A:BUS:B<x>:I2C:DATA:VALue <bin> SEARCH:SEARCH<x>:TRIGger:A:BUS:B<x>:I2C:DATA:VALue?
<b>Arguments</b>	<bin> is the data in binary format.

## SEARCH:SEARCH<x>:TRIGger:A:BUS:B<x>:LIN:CONDition

Sets or returns the search condition for a LIN search.

<b>Group</b>	Search
<b>Syntax</b>	SEARCH:SEARCH<x>:TRIGger:A:BUS:B<x>:LIN:CONDition {SYNCFieLd IDentifier DATA IDANDDATA WAKEup SLEEP ERROR} SEARCH:SEARCH<x>:TRIGger:A:BUS:B<x>:LIN:CONDition?
<b>Arguments</b>	SYNCFieLd specifies to search on the sync field. IDentifier specifies to search on the identifier. DATA specifies to search on the data. IDANDDATA specifies to search on the identifier and the data. WAKEup specifies to search on wake up.

SLEEP specifies to search on sleep.

ERROR specifies to search on errors.

**Examples** SEARCH:SEARCH1:TRIGGER:A:BUS:B1:LIN:CONDITION? might return  
SEARCH:SEARCH1:TRIGGER:A:BUS:B1:LIN:CONDITION SYNCFIELD  
indicating a search on the sync field.

## SEARCH:SEARCH<x>:TRIGger:A:BUS:B<x>:LIN:DATA:HIVALue

Sets or returns the binary data string to be used for LIN searches if the search condition is ID or IDANDDATA.

**Group** Search

**Syntax** SEARCH:SEARCH<x>:TRIGger:A:BUS:B<x>:LIN:DATA:HIVALue  
<QString>  
SEARCH:SEARCH<x>:TRIGger:A:BUS:B<x>:LIN:DATA:HIVALue?

**Arguments** <QString> is a quoted string of 1s, 0s, or Xs representing the binary data string to be used for LIN searches if the search condition is ID or IDANDDATA.

**Examples** SEARCH:SEARCH1:TRIGGER:A:BUS:B1:LIN:DATA:HIVALUE? might  
return SEARCH:SEARCH1:TRIGGER:A:BUS:B1:LIN:DATA:HIVALUE  
"XX  
XXXXXXXXXXXX" indicating the high value is don't care.

## SEARCH:SEARCH<x>:TRIGger:A:BUS:B<x>:LIN:DATA:QUALifier

Sets or returns the LIN data qualifier. This only applies if the trigger condition is IDANDDATA or DATA.

**Group** Search

**Syntax** SEARCH:SEARCH<x>:TRIGger:A:BUS:B<x>:LIN:DATA:QUALifier  
{LESSThan|MOREThan|EQUa1|UNEQUa1|LESSEQUa1|MOREEQUa1|  
INrange|OUTrange}  
SEARCH:SEARCH<x>:TRIGger:A:BUS:B<x>:LIN:DATA:QUALifier?

**Arguments**    **LESSThan** sets the LIN data qualifier to less than.  
**MOREThan** sets the LIN data qualifier to greater than.  
**EQUa1** sets the LIN data qualifier to equal.  
**UNEQUa1** sets the LIN data qualifier to not equal.  
**LESSEQUa1** sets the LIN data qualifier to less than or equal.  
**MOREEQUa1** sets the LIN data qualifier to greater than or equal.  
**INrange** sets the LIN data qualifier to in range.  
**OUTrange** sets the LIN data qualifier to out of range.

**Examples**    **SEARCH:SEARCH1:TRIGGER:A:BUS:B1:LIN:DATA:QUALIFIER LESSThan**  
sets the data qualifier to less than.  
**SEARCH:SEARCH1:TRIGGER:A:BUS:B1:LIN:DATA:QUALIFIER?** might return  
**SEARCH:SEARCH1:TRIGGER:A:BUS:B1:LIN:DATA:QUALIFIER EQUAL**  
indicating the data qualifier is equal.

## **SEARCH:SEARCH<x>:TRIGger:A:BUS:B<x>:LIN:DATA:SIZE**

Sets or returns the length of the data string in bytes to be used for LIN Search, if search condition is DATA or IDANDDATA.

**Group**    Search

**Syntax**    **SEARCH:SEARCH<x>:TRIGger:A:BUS:B<x>:LIN:DATA:SIZE <NR1>**  
**SEARCH:SEARCH<x>:TRIGger:A:BUS:B<x>:LIN:DATA:SIZE?**

**Arguments**    <NR1> is the length of the data in bytes.

**Examples**    **SEARCH:SEARCH1:TRIGGER:A:BUS:B1:LIN:DATA:SIZE 8** sets the LIN data  
size is 8 bytes.  
**SEARCH:SEARCH1:TRIGGER:A:BUS:B1:LIN:DATA:SIZE?** might return  
**SEARCH:SEARCH1:TRIGGER:A:BUS:B1:LIN:DATA:SIZE 1** indicating that  
the LIN data size is 1 byte.

## **SEARCH:SEARCH<x>:TRIGger:A:BUS:B<x>:LIN:DATA:VALue**

Sets or returns the binary data string used for a LIN search if the search condition is ID or IDANDDATA.

<b>Group</b>	Search
<b>Syntax</b>	SEARCH:SEARCH<x>:TRIGger:A:BUS:B<x>:LIN:DATA:VALUE <QString> SEARCH:SEARCH<x>:TRIGger:A:BUS:B<x>:LIN:DATA:VALUE?
<b>Arguments</b>	<QString> is the binary data string for the search.
<b>Examples</b>	SEARCH:SEARCH1:TRIGGER:A:BUS:B1:LIN:DATA:VALUE? might return SEARCH:SEARCH1:TRIGGER:A:BUS:B1:LIN:DATA:VALUE "XXXXXXXX" indicating the data value is don't care.

## SEARCH:SEARCH<x>:TRIGger:A:BUS:B<x>:LIN:ERRTYPE

Sets or returns the error type used for a LIN Search.

<b>Group</b>	Search
<b>Syntax</b>	SEARCH:SEARCH<x>:TRIGger:A:BUS:B<x>:LIN:ERRTYPE {SYNC PARity Checksum HEADertime RESptime FRAMetime} SEARCH:SEARCH<x>:TRIGger:A:BUS:B<x>:LIN:ERRTYPE?
<b>Arguments</b>	SYNC specifies a sync error type. PARity specifies a parity error type. Checksum specifies a checksum error type. HEADertime specifies a header time error type. RESptime specifies a response time error type. RAMetime specifies a frame time error type.
<b>Examples</b>	SEARCH:SEARCH1:TRIGGER:A:BUS:B1:LIN:ERRTYPE? might return SEARCH:SEARCH1:TRIGGER:A:BUS:B1:LIN:ERRTYPE SYNC indicating a SYNC error type.

## SEARCH:SEARCH<x>:TRIGger:A:BUS:B<x>:LIN:IDentifier:VALue

Sets or returns the binary address string used for LIN search if search condition is ID or IDANDDATA.

<b>Group</b>	Search
<b>Syntax</b>	SEARCH:SEARCH<x>:TRIGger:A:BUS:B<x>:LIN:IDentifier:VALue <QString> SEARCH:SEARCH<x>:TRIGger:A:BUS:B<x>:LIN:IDentifier:VALue?
<b>Arguments</b>	<QString> is a quoted string specifying the binary address string to be used for LIN search if search condition is ID or IDANDDATA.
<b>Examples</b>	SEARCH:SEARCH1:TRIGGER:A:BUS:B1:LIN:IDENTIFIER:VALUE? might return SEARCH:SEARCH1:TRIGGER:A:BUS:B1:LIN:IDENTIFIER:VALUE "xxxxxx" indicating the binary address is undefined.

## SEARCH:SEARCH<x>:TRIGger:A:BUS:B<x>:PARAllel:VALue

Sets or returns the binary data string to be used for a Parallel trigger search. SEARCH<x> is the search number and B<x> is the bus number.

<b>Group</b>	Search
<b>Syntax</b>	SEARCH:SEARCH<x>:TRIGger:A:BUS:B<x>:PARAllel:VALue <QString> SEARCH:SEARCH<x>:TRIGger:A:BUS:B<x>:PARAllel:VALue?
<b>Arguments</b>	<QString> is the binary data string.

## SEARCH:SEARCH<x>:TRIGger:A:BUS:B<x>:RS232C:CONDition

Sets or returns the condition for an RS-232 trigger search. SEARCH<x> is the search number and B<x> is the bus number.

**Conditions** This command requires a DPO4COMP application module.

<b>Group</b>	Search
<b>Syntax</b>	SEARCH:SEARCH<x>:TRIGger:A:BUS:B<x>:RS232C:CONDition {RXStArt RXDATA RXENDPacket TXStArt TXDATA TXENDPacket} SEARCH:SEARCH<x>:TRIGger:A:BUS:B<x>:RS232C:CONDition?

- Arguments**    **RXSTART** specifies a search based on the RX Start Bit.
- RXDATA** specifies a search based on RX Data.
- RXENDPacket** specifies a search based on the RX End of Packet condition.
- TXSTART** specifies a search base on the TX Start Bit.
- TXDATA** specifies a search based on TX Data.
- TXENDPacket** specifies a search based on the TX End of Packet condition.

## **SEARCH:SEARCH<x>:TRIGger:A:BUS:B<x>:RS232C:RX:DATA:SIZE**

Sets or returns the length of the data string for an RS-232 trigger search if the trigger condition is RX. **SEARCH<x>** is the search number and **B<x>** is the bus number.

- Conditions**    This command requires a DPO4COMP application module.
- Group**         Search
- Syntax**        **SEARCH:SEARCH<x>:TRIGger:A:BUS:B<x>:RS232C:RX:DATA:SIZE**  
**SEARCH:SEARCH<x>:TRIGger:A:BUS:B<x>:RS232C:RX:DATA:SIZE?**
- Arguments**    <NR1> is the length of the data string in Bytes.

## **SEARCH:SEARCH<x>:TRIGger:A:BUS:B<x>:RS232C:RX:DATA:VALue**

Sets or returns the binary data string for an RS-232 trigger search if the condition involves RX. **SEARCH<x>** is the search number and **B<x>** is the bus number.

- Conditions**    This command requires a DPO4COMP application module.
- Group**         Search
- Syntax**        **SEARCH:SEARCH<x>:TRIGger:A:BUS:B<x>:RS232C:RX:DATA:VALue**  
**SEARCH:SEARCH<x>:TRIGger:A:BUS:B<x>:RS232C:RX:DATA:VALue?**



**SEARCH:SEARCH<x>:TRIGger:A:BUS:B<x>:RS232C:TX:DATA:SIZE**

Sets or returns the length of the data string to be used for an RS-232 trigger search if the Trigger condition is TX. SEARCH<x> is the search number and B<x> is the bus number.

**Conditions** This command requires a DPO4COMP application module.

**Group** Search

**Syntax** SEARCH:SEARCH<x>:TRIGger:A:BUS:B<x>:RS232C:TX:DATA:SIZE  
SEARCH:SEARCH<x>:TRIGger:A:BUS:B<x>:RS232C:TX:DATA:SIZE?

**Arguments** <NR1> is the length of the data string in Bytes.

**SEARCH:SEARCH<x>:TRIGger:A:BUS:B<x>:RS232C:TX:DATA:VALue**

Sets or returns the binary data string to be used for an RS-232 trigger search if the condition involves RX. SEARCH<x> is the search number and B<x> is the bus number.

**Conditions** This command requires a DPO4COMP application module.

**Group** Search

**Syntax** SEARCH:SEARCH<x>:TRIGger:A:BUS:B<x>:RS232C:TX:DATA:VALue  
SEARCH:SEARCH<x>:TRIGger:A:BUS:B<x>:RS232C:TX:DATA:VALue?

**SEARCH:SEARCH<x>:TRIGger:A:BUS:B<x>:SPI:CONDition**

Sets or returns the search condition for a SPI trigger search. SEARCH<x> is the search number and B<x> is the bus number.

**Conditions** This command requires a DPO4EMBD application module.

**Group** Search

**Syntax** SEARCH:SEARCH<x>:TRIGger:A:BUS:B<x>:SPI:CONDition  
{SS|STARTofframe|MISO|MOSI|MISOMOSI}  
SEARCH:SEARCH<x>:TRIGger:A:BUS:B<x>:SPI:CONDition?

**Related Commands** [BUS:B<x>:SPI:IDLETime](#), [BUS:B<x>:SPI:FRAMING](#)

**Arguments** SS specifies a search based on the Slave Selection condition.

STARTofframe is applicable when BUS:B<x>:SPI:FRAMING is set to IDLEtime. When the trigger condition is set to STARTofframe, the instrument triggers on the first SPI clock after an idle time when there are no clocks.

MISO specifies a search based on the Master-In Slave-Out condition.

MOSI specifies a search based on the Master-Out Slave-In condition.

MISOMOSI specifies a search based on the Master-In Slave-Out and Master-Out Slave-In conditions.

## SEARCH:SEARCH<x>:TRIGger:A:BUS:B<x>:SPI:DATA{MISO|IN}:VALue

Sets or returns the binary data string for an SPI trigger search if the search condition is MISO or MISOMOSI. SEARCH<x> is the search number and B<x> is the bus number.

**Conditions** This command requires a DPO4EMBD application module.

**Group** Search

**Syntax** SEARCH:SEARCH<x>:TRIGger:A:BUS:B<x>:SPI:DATA{MISO|IN}:  
VALue <bin>  
SEARCH:SEARCH<x>:TRIGger:A:BUS:B<x>:SPI:DATA{MISO|IN}:  
VALue?

**Arguments** <bin> is the data string in binary format.

## SEARCH:SEARCH<x>:TRIGger:A:BUS:B<x>:SPI:DATA{MOSI|OUT}:VALue

Sets or returns the binary data string for an SPI trigger search if search the condition is MOSI, or MISOMOSI. SEARCH<x> is the search number and B<x> is the bus number.

<b>Conditions</b>	This command requires a DPO4EMBD application module.
<b>Group</b>	Search
<b>Syntax</b>	SEARCH:SEARCH<x>:TRIGger:A:BUS:B<x>:SPI:DATA{ :MOSI   :OUT } : VALue <bin> SEARCH:SEARCH<x>:TRIGger:A:BUS:B<x>:SPI:DATA{ :MOSI   :OUT } : VALue?
<b>Arguments</b>	<bin> is the data in binary format.

## SEARCH:SEARCH<x>:TRIGger:A:BUS:B<x>:SPI:DATA:SIZE

Sets or returns the length of the data string for an SPI trigger search if the search condition is MISO, MOSI, or MISOMOSI. SEARCH<x> is the search number and B<x> is the bus number.

<b>Conditions</b>	This command requires a DPO4EMBD application module.
<b>Group</b>	Search
<b>Syntax</b>	SEARCH:SEARCH<x>:TRIGger:A:BUS:B<x>:SPI:DATA:SIZE <NR1> SEARCH:SEARCH<x>:TRIGger:A:BUS:B<x>:SPI:DATA:SIZE?
<b>Arguments</b>	<NR1> is the data string length in bytes.

## SEARCH:SEARCH<x>:TRIGger:A:BUS:SOURce

Sets or returns a bus serial search. <x> is the search number.

<b>Conditions</b>	This command requires a DPO4AUTO or DPO4EMBD application module.
<b>Group</b>	Search
<b>Syntax</b>	SEARCH:SEARCH<x>:TRIGger:A:BUS:SOURce {B1 B2 B3 B4} SEARCH:SEARCH<x>:TRIGger:A:BUS:SOURce?

- Arguments** B1 specifies the Bus 1 source.  
B2 specifies the Bus 2 source.  
B3 specifies the Bus 3 source.  
B4 specifies the Bus 4 source.

## SEARCH:SEARCH<x>:TRIGger:A:EDGE:SLOpe

Sets or returns the slope for an edge trigger search to determine where to place a mark. <x> is the search number.

**Group** Search

**Syntax** SEARCH:SEARCH<x>:TRIGger:A:EDGE:SLOpe {RISe|FALL}  
SEARCH:SEARCH<x>:TRIGger:A:EDGE:SLOpe?

- Arguments** RISe specifies a rising edge.  
FALL specifies a falling edge.

## SEARCH:SEARCH<x>:TRIGger:A:EDGE:SOURce

Sets or returns the source waveform for an edge trigger search to determine where to place a mark. <x> is the search number.

**Group** Search

**Syntax** SEARCH:SEARCH<x>:TRIGger:A:EDGE:SOURce  
{CH1|CH2|CH3|CH4|MATH}  
SEARCH:SEARCH<x>:TRIGger:A:EDGE:SOURce?

- Arguments** CH<x> specifies one input channel as the edge source, where <x> is the channel number.  
MATH specifies the math waveform as the search source.

## SEARCH:SEARCH<x>:TRIGger:A:LEVel

Sets or returns the level for an edge trigger search to determine where to place a mark. <x> is the search number.

**Group** Search

**Syntax** SEARCH:SEARCH<x>:TRIGger:A:LEVe1 {<NR3>|TTL}  
SEARCH:SEARCH<x>:TRIGger:A:LEVe1?

**Arguments** <NR3> specifies the trigger level, in volts.  
TTL specifies a preset TTL high level of 1.4V.

## SEARCH:SEARCH<x>:TRIGger:A:LEVe1:CH<x>

Sets or returns the level for an edge trigger search to determine where to place a mark. SEARCH<x> is the search number and CH<x> is the channel number. Each channel can have an independent level.

**Group** Search

**Syntax** SEARCH:SEARCH<x>:TRIGger:A:LEVe1:CH<x> {<NR3>|TTL}  
SEARCH:SEARCH<x>:TRIGger:A:LEVe1:CH<x>?

**Arguments** <NR3> specifies the trigger level in volts.  
TTL specifies a preset TTL high level of 1.4 V.

## SEARCH:SEARCH<x>:TRIGger:A:LEVe1:MATH[1]

Sets or returns the math waveform level for an edge trigger search to determine where to place a mark. <x> is the search number. The value of MATH is 1 for all oscilloscopes.

**Group** Search

**Syntax** SEARCH:SEARCH<x>:TRIGger:A:LEVe1:MATH {TTL}  
SEARCH:SEARCH<x>:TRIGger:A:LEVe1:MATH?

**Arguments** TTL specifies a preset TTL high level of 1.4 V.

## SEARCH:SEARCH<x>:TRIGger:A:LEVel:REF<x>

Sets or returns the specified reference waveform level for an edge trigger search to determine where to place a mark. SEARCH<x> is the search number and REF<x> is the reference channel number.

**Group** Search

**Syntax** SEARCH:SEARCH<x>:TRIGger:A:LEVel:REF<x> {TTL}  
SEARCH:SEARCH<x>:TRIGger:A:LEVel:REF<x>?

**Arguments** TTL specifies a preset TTL high level of 1.4 V.

## SEARCH:SEARCH<x>:TRIGger:A:LOGIc:FUNcTION

Sets or returns the logic operator for a logic trigger search to determine where to place a mark. <x> is the search number.

**Group** Search

**Syntax** SEARCH:SEARCH<x>:TRIGger:A:LOGIc:FUNcTION {AND|NAND|NOR|OR}  
SEARCH:SEARCH<x>:TRIGger:A:LOGIc:FUNcTION?

**Arguments** AND places a mark if all conditions are true.  
NAND places a mark if any of the conditions are false.  
NOR places a mark if all conditions are false.  
OR places a mark if any of the conditions are true.

## SEARCH:SEARCH<x>:TRIGger:A:LOGIc:INPut:CH<x>

Sets or returns the Boolean logic criteria for a logic trigger search to determine where to place a mark. SEARCH<x> is the search number and CH<x> is the channel number.

**Group** Search

**Syntax** SEARCH:SEARCH<x>:TRIGger:A:LOGIc:INPut:CH<x> {HIGH|LOW|X}  
SEARCH:SEARCH<x>:TRIGger:A:LOGIc:INPut:CH<x>?

**Arguments** HIGH specifies the logic high.  
 LOW specifies the logic low.  
 X specifies a "don't care" state.

## SEARCH:SEARCH<x>:TRIGger:A:LOGIc:INPut:CLOCK:EDGE

Sets or returns whether the clock edge is a rising or falling for a logic search to determine where to place a mark. <x> is the search number.

**Group** Search

**Syntax** SEARCH:SEARCH<x>:TRIGger:A:LOGIc:INPut:CLOCK:EDGE  
 {FALL|RISe}  
 SEARCH:SEARCH<x>:TRIGger:A:LOGIc:INPut:CLOCK:EDGE?

**Arguments** RISe specifies a rising edge.  
 FALL specifies a falling edge.

## SEARCH:SEARCH<x>:TRIGger:A:LOGIc:INPut:CLOCK:SOURce

Sets or returns the clock source definition for a logic trigger search. <x> is the search number. If a clock source is defined, then the logic search is determined by the state of the other inputs at the clock transition. If no clock source is defined, then the logic search is determined only by the state of the inputs.

**Group** Search

**Syntax** SEARCH:SEARCH<x>:TRIGger:A:LOGIc:INPut:CLOCK:SOURce  
 {CH1|CH2|CH3|CH4|MATH|REF|NONE}  
 SEARCH:SEARCH<x>:TRIGger:A:LOGIc:INPut:CLOCK:SOURce?

**Arguments** CH<x> specifies a channel input as the clock source, where <x> = 1, 2, 3, or 4.  
 MATH specifies the math waveform as the clock source.  
 REF specifies the reference waveform as the clock source.  
 NONE specifies no clock source.

## SEARCH:SEARCH<x>:TRIGger:A:LOGic:INPut:D<x>

Sets or returns the waveform logic criteria for a trigger search. SEARCH<x> is the search number and D<x> is the digital channel number.

**Group** Search

**Syntax** SEARCH:SEARCH<x>:TRIGger:A:LOGic:INPut:D<x> {HIGH|LOW|X}  
SEARCH:SEARCH<x>:TRIGger:A:LOGic:INPut:D<x>?

**Arguments** HIGH specifies a high logic level.  
LOW specifies a low logic level.  
X specifies a “don’t care” condition.

## SEARCH:SEARCH<x>:TRIGger:A:LOGic:INPut:MATH

Sets or returns the Boolean logic criteria for a logic trigger search to determine where to place a mark. <x> is the search number.

**Group** Search

**Syntax** SEARCH:SEARCH<x>:TRIGger:A:LOGic:INPut:MATH {HIGH|LOW|X}  
SEARCH:SEARCH<x>:TRIGger:A:LOGic:INPut:MATH?

**Arguments** HIGH specifies a high logic level.  
LOW specifies a low logic level.  
X specifies a “don’t care” condition.

## SEARCH:SEARCH<x>:TRIGger:A:LOGic:INPut:REF<x>

Sets or returns the Boolean logic criteria for a logic trigger search to determine where to place a mark. SEARCH<x> is the search number and REF<x> is the reference channel number.

**Group** Search

**Syntax** SEARCH:SEARCH<x>:TRIGger:A:LOGic:INPut:REF<x> {HIGH|LOW|X}  
SEARCH:SEARCH<x>:TRIGger:A:LOGic:INPut:REF<x>?



**Arguments** HIGH specifies a high logic level.  
 LOW specifies a low logic level.  
 X specifies a “don’t care” condition.

## SEARCH:SEARCH<x>:TRIGger:A:LOGIc:PATtern:INPut:CH<x>

Sets or returns the logic criteria for a logic pattern trigger search to determine where to place a mark. SEARCH<x> is the search number and CH<x> is the channel number.

**Group** Search

**Syntax** SEARCH:SEARCH<x>:TRIGger:A:LOGIc:PATtern:INPut:CH<x>  
 {HIGH|LOW|X}  
 SEARCH:SEARCH<x>:TRIGger:A:LOGIc:PATtern:INPut:CH<x>?

**Arguments** HIGH specifies a high logic level.  
 LOW specifies a low logic level.  
 X specifies a “don’t care” condition.

## SEARCH:SEARCH<x>:TRIGger:A:LOGIc:PATtern:INPut:D<x>

Sets or returns the logic criteria for a logic pattern search to determine where to place a mark. SEARCH<x> is the search number and D<x> is the digital channel number.

**Group** Search

**Syntax** SEARCH:SEARCH<x>:TRIGger:A:LOGIc:PATtern:INPut:D<x>  
 {HIGH|LOW|X}  
 SEARCH:SEARCH<x>:TRIGger:A:LOGIc:PATtern:INPut:D<x>?

**Arguments** HIGH specifies a high logic level.  
 LOW specifies a low logic level.  
 X specifies a “don’t care” condition.

## SEARCH:SEARCH<x>:TRIGger:A:LOGIc:PATtern:INPut:MATH

Sets or returns the Boolean logic criteria for a logic pattern trigger search to determine where to place a mark. <x> is the search number.

**Group** Search

**Syntax** SEARCH:SEARCH<x>:TRIGger:A:LOGIc:PATtern:INPut:MATH  
{HIGH|LOW|X}  
SEARCH:SEARCH<x>:TRIGger:A:LOGIc:PATtern:INPut:MATH?

**Arguments** HIGH specifies a high logic level.  
LOW specifies a low logic level.  
X specifies a “don’t care” condition.

## SEARCH:SEARCH<x>:TRIGger:A:LOGIc:PATtern:INPut:REF<x>

Sets or returns the Boolean logic criteria for a pattern trigger search to determine where to place a mark. SEARCH<x> is the search number and REF<x> is the reference channel number.

**Group** Search

**Syntax** SEARCH:SEARCH<x>:TRIGger:A:LOGIc:PATtern:INPut:REF<x>  
{HIGH|LOW|X}  
SEARCH:SEARCH<x>:TRIGger:A:LOGIc:PATtern:INPut:REF<x>?

**Arguments** HIGH specifies a high logic level.  
LOW specifies a low logic level.  
X specifies a “don’t care” condition.

## SEARCH:SEARCH<x>:TRIGger:A:LOGIc:PATtern:WHEN

Sets or returns the condition for generating a logic pattern trigger search to determine where to place a mark. <x> is the search number.

**Group** Search

**Syntax** SEARCH:SEARCH<x>:TRIGger:A:LOGic:PATtern:WHEn  
{TRUE|FALSE|LESSThan|Than|EQUal|UNEQUal}  
SEARCH:SEARCH<x>:TRIGger:A:LOGic:PATtern:WHEn?

**Arguments** TRUE places a mark when the pattern becomes true.  
FALSE places a mark when the pattern becomes false.  
LESSThan places a mark if the specific pattern is true less than the time set by the [SEARCH:SEARCH<x>:TRIGger:A:LOGic:PATtern:WHEn:LESSLimit](#) command.  
Than places a mark if the specific pattern is true longer than the specified time set by the [SEARCH:SEARCH<x>:TRIGger:A:LOGic:PATtern:WHEn:MORELimit](#) command.  
EQUal places a mark if the specific pattern is true longer than the time set by the [SEARCH:SEARCH<x>:TRIGger:A:LOGic:PATtern:WHEn:LESSLimit](#) command, but less than the specified time set by the [SEARCH:SEARCH<x>:TRIGger:A:LOGic:PATtern:WHEn:MORELimit](#) command.  
UNEQUal places a mark if the specific pattern is true less than the time set by the [SEARCH:SEARCH<x>:TRIGger:A:LOGic:PATtern:WHEn:LESSLimit](#) command, or longer than the specified time set by the [SEARCH:SEARCH<x>:TRIGger:A:LOGic:PATtern:WHEn:MORELimit](#) command.

## SEARCH:SEARCH<x>:TRIGger:A:LOGic:PATtern:WHEn:LESSLimit

Sets or returns the maximum time that the selected pattern may be true and still generate an A logic pattern search to place a mark. <x> is the search number.

**Group** Search

**Syntax** SEARCH:SEARCH<x>:TRIGger:A:LOGic:PATtern:WHEn:LESSLimit  
<NR3>  
SEARCH:SEARCH<x>:TRIGger:A:LOGic:PATtern:WHEn:LESSLimit?

**Arguments** <NR3> specifies the maximum amount of time to hold the pattern true.

## SEARCH:SEARCH<x>:TRIGger:A:LOGic:PATtern:WHEn:MORELimit

Sets or returns the minimum time that the selected pattern may be true and still generate an A logic pattern search to place a mark. <x> is the search number.

**Group** Search

**Syntax** SEARCH:SEARCH<x>:TRIGger:A:LOGic:PATtern:WHEn:MORELimit  
<NR3>  
SEARCH:SEARCH<x>:TRIGger:A:LOGic:PATtern:WHEn:MORELimit?

**Arguments** <NR3> specifies the minimum amount of time to hold the pattern true.

## SEARCH:SEARCH<x>:TRIGger:A:LOGic:THReshold:CH<x>

Sets or returns the channel threshold level for a logic trigger search to determine where to place a mark. SEARCH<x> is the search number and CH<x> is the channel number.

**Group** Search

**Syntax** SEARCH:SEARCH<x>:TRIGger:A:LOGic:THReshold:CH<x> {<NR3>|TTL}  
SEARCH:SEARCH<x>:TRIGger:A:LOGic:THReshold:CH<x>?

**Arguments** <NR3> specifies the trigger level, in volts.  
TTL specifies a preset TTL high level of 1.4 V.

## SEARCH:SEARCH<x>:TRIGger:A:LOGic:THReshold:MATH

Sets or returns the math waveform threshold level for a logic trigger search to determine where to place a mark. <x> is the search number.

**Group** Search

**Syntax** SEARCH:SEARCH<x>:TRIGger:A:LOGic:THReshold:MATH {TTL}  
SEARCH:SEARCH<x>:TRIGger:A:LOGic:THReshold:MATH?

**Arguments** TTL specifies a preset TTL high level of 1.4 V.

**SEARCH:SEARCH<x>:TRIGger:A:LOGIc:THReshold:REF<x>**

Sets or returns the reference waveform threshold level for a logic trigger search to determine where to place a mark. SEARCH<x> is the search number and REF<x> is the reference channel number.

**Group** Search

**Syntax** SEARCH:SEARCH<x>:TRIGger:A:LOGIc:THResho]d:REF<x> {TTL}  
SEARCH:SEARCH<x>:TRIGger:A:LOGIc:THResho]d:REF<x>?

**Arguments** TTL specifies a preset TTL high level of 1.4 V.

**SEARCH:SEARCH<x>:TRIGger:A:LOWerthreshold:CH<x>**

Sets or returns the channel waveform lower threshold to determine where to place a mark. This setting is applied to all channel searches that use a lower threshold. SEARCH<x> is the search number and CH<x> is the channel number.

**Group** Search

**Syntax** SEARCH:SEARCH<x>:TRIGger:A:LOWerthreshold:CH<x> {TTL}  
SEARCH:SEARCH<x>:TRIGger:A:LOWerthreshold:CH<x>?

**Arguments** TTL specifies a preset TTL high level of 1.4 V.

**SEARCH:SEARCH<x>:TRIGger:A:LOWerthreshold:MATH**

Sets or returns the math waveform lower threshold to determine where to place a mark. This setting is applied to all math searches that use a lower threshold. <x> is the search number.

**Group** Search

**Syntax** SEARCH:SEARCH<x>:TRIGger:A:LOWerthreshold:MATH {TTL}  
SEARCH:SEARCH<x>:TRIGger:A:LOWerthreshold:MATH?

**Arguments** TTL specifies a preset TTL high level of 1.4 V.

## SEARCH:SEARCH<x>:TRIGger:A:LOWerthreshold:REF<x>

Sets or returns the reference waveform lower threshold to determine where to place a mark. This setting is applied to all reference searches that use a lower threshold.

SEARCH<x> is the search number and REF<x> is the reference channel number.

**Group** Search

**Syntax** SEARCH:SEARCH<x>:TRIGger:A:LOWerthreshold:REF<x> {TTL}  
SEARCH:SEARCH<x>:TRIGger:A:LOWerthreshold:REF<x>?

**Arguments** TTL specifies a preset TTL high level of 1.4 V.

## SEARCH:SEARCH<x>:TRIGger:A:PULSEWidth:POLarity

Sets or returns the polarity for a pulse trigger search to determine where to place a mark. <x> is the search number.

**Group** Search

**Syntax** SEARCH:SEARCH<x>:TRIGger:A:PULSEwidth:POLarity  
{NEGative|POSitive}  
SEARCH:SEARCH<x>:TRIGger:A:PULSEwidth:POLarity?

**Arguments** POSITIVE places a mark only when the polarity of the pulse is positive.  
NEGative places a mark only when the polarity of the pulse is negative.

## SEARCH:SEARCH<x>:TRIGger:A:PULSEWidth:SOURce

Sets or returns the source waveform for a pulse trigger search to determine where to place a mark. <x> is the search number.

**Group** Search

**Syntax** SEARCH:SEARCH<x>:TRIGger:A:PULSEwidth:SOURce  
{CH1|CH2|CH3|CH4|MATH|REF}  
SEARCH:SEARCH<x>:TRIGger:A:PULSEwidth:SOURce?

- Arguments** CH<x> specifies one input channel as the edge source, where <x> = 1, 2, 3 or 4.  
 MATH specifies the math waveform as the search source.  
 REF specifies the reference waveform as the search source.

## SEARCH:SEARCH<x>:TRIGger:A:PULSEWidth:WHEn

Sets or returns the condition for generating a pulse width search to determine where to place a mark. <x> is the search number.

**Group** Search

**Syntax** SEARCH:SEARCH<x>:TRIGger:A:PULSEwidth:WHEn  
 {LESSthan|than|EQua1|UNEQua1}  
 SEARCH:SEARCH<x>:TRIGger:A:PULSEwidth:WHEn?

- Arguments** LESSthan places a mark if the pulse width is less than the time set by the [SEARCH:SEARCH<x>:TRIGger:A:PULSEWidth:WIDth](#) command.  
 Than places a mark if the pulse width is true longer than the specified time set by the [SEARCH:SEARCH<x>:TRIGger:A:PULSEWidth:WIDth](#) command.  
 EQua1 places a mark if the pulse width is equal to the time set by the [SEARCH:SEARCH<x>:TRIGger:A:PULSEWidth:WIDth](#) command within a tolerance of  $\pm 5\%$ .  
 UNEQua1 places a mark if the pulse width is unequal to the time the time set by the [SEARCH:SEARCH<x>:TRIGger:A:PULSEWidth:WIDth](#) command within a tolerance of  $\pm 5\%$ .

## SEARCH:SEARCH<x>:TRIGger:A:PULSEWidth:WIDth

Sets or returns the pulse width setting for a pulse width trigger search to determine where to place a mark. <x> is the search number.

**Group** Search

**Syntax** SEARCH:SEARCH<x>:TRIGger:A:PULSEwidth:WIDth <NR3>  
 SEARCH:SEARCH<x>:TRIGger:A:PULSEwidth:WIDth?

- Arguments** <NR3> is the pulse width.

## SEARCH:SEARCH<x>:TRIGger:A:RUNT:POLarity

Sets or returns the polarity setting for a runt trigger search to determine where to place a mark. <x> is the search number.

**Group** Search

**Syntax** SEARCH:SEARCH<x>:TRIGger:A:RUNT:POLarity  
{EITher|NEGative|POSitive}  
SEARCH:SEARCH<x>:TRIGger:A:RUNT:POLarity?

**Arguments** POSitive places a mark when the rising edge crosses the low threshold and the falling edge re-crosses the low threshold without either edge ever crossing the high threshold.

NEGative places a mark when the falling edge crosses the high threshold and the rising edge re-crosses the high threshold without either edge ever crossing the low threshold.

EITher places a mark on a runt of either polarity.

## SEARCH:SEARCH<x>:TRIGger:A:RUNT:SOURce

Sets or returns the source setting for a runt trigger search to determine where to place a mark. <x> is the search number.

**Group** Search

**Syntax** SEARCH:SEARCH<x>:TRIGger:A:RUNT:SOURce  
{CH1|CH2|CH3|CH4|MATH|REF}  
SEARCH:SEARCH<x>:TRIGger:A:RUNT:SOURce?

**Arguments** CH1–CH4 specifies an input channel as the edge source.

MATH specifies the math waveform as the search source.

REF specifies the reference waveform as the search source.

## SEARCH:SEARCH<x>:TRIGger:A:RUNT:WHEn

Sets or returns the condition setting for a runt trigger search to determine where to place a mark. <x> is the search number.



<b>Group</b>	Search
<b>Syntax</b>	SEARCH:SEARCH<x>:TRIGger:A:RUNT:WHEN {LESSthan than EQua1 UNEQua1 OCCURS} SEARCH:SEARCH<x>:TRIGger:A:RUNT:WHEN?
<b>Arguments</b>	<p>OCCURS argument specifies a trigger event if a runt of any detectable width occurs.</p> <p>LESSthan argument sets the oscilloscope to trigger if the a runt pulse is detected with width less than the time set by the <a href="#">SEARCH:SEARCH&lt;x&gt;:TRIGger:A:RUNT:WIDTH</a> command.</p> <p>than argument sets the oscilloscope to trigger if the a runt pulse is detected with width than the time set by the <a href="#">SEARCH:SEARCH&lt;x&gt;:TRIGger:A:RUNT:WIDTH</a> command.</p> <p>EQua1 argument sets the oscilloscope to trigger when the pattern is true for a time period equal to the time period specified in <a href="#">SEARCH:SEARCH&lt;x&gt;:TRIGger:A:RUNT:WIDTH</a> within a <math>\pm 5\%</math> tolerance.</p> <p>NOTEQua1 argument sets the oscilloscope to trigger when the pattern is true for a time period greater than or less than (but not equal) the time period specified in <a href="#">SEARCH:SEARCH&lt;x&gt;:TRIGger:A:RUNT:WIDTH</a> within a <math>\pm 5\%</math> tolerance.</p>

## SEARCH:SEARCH<x>:TRIGger:A:RUNT:WIDTH

Sets or returns the width setting for a runt trigger search to determine where to place a mark. <x> is the search number.

<b>Group</b>	Search
<b>Syntax</b>	SEARCH:SEARCH<x>:TRIGger:A:RUNT:WIDTH <NR3> SEARCH:SEARCH<x>:TRIGger:A:RUNT:WIDTH?
<b>Arguments</b>	<NR3> specifies the minimum width, in seconds.

## SEARCH:SEARCH<x>:TRIGger:A:SETHold:CLOCK:EDGE

Sets or returns the clock slope setting for a setup/hold trigger search to determine where to place a mark. <x> is the search number.

<b>Group</b>	Search
--------------	--------

**Syntax** SEARCH:SEARCH<x>:TRIGger:A:SETHold:CLOCK:EDGE {FALL|RISe}  
SEARCH:SEARCH<x>:TRIGger:A:SETHold:CLOCK:EDGE?

**Arguments** FALL specifies polarity as the clock falling edge.  
RISe specifies polarity as the clock rising edge.

## SEARCH:SEARCH<x>:TRIGger:A:SETHold:CLOCK:SOURce

Sets or returns the clock source setting for an setup/hold trigger search to determine where to place a mark. <x> is the search number.

**Group** Search

**Syntax** SEARCH:SEARCH<x>:TRIGger:A:SETHold:CLOCK:SOURce  
{CH1|CH2|CH3|CH4|MATH|REF}  
SEARCH:SEARCH<x>:TRIGger:A:SETHold:CLOCK:SOURce?

**Related Commands** [SEARCH:SEARCH<x>:TRIGger:A:SETHold:DATA:SOURce](#)

**Arguments** CH1–CH4 specifies an input channel as the edge source.  
MATH specifies the math waveform as the search source.  
REF specifies the reference waveform as the search source.

## SEARCH:SEARCH<x>:TRIGger:A:SETHold:CLOCK:THReshold

Sets or returns the clock threshold setting for an setup/hold trigger search to determine where to place a mark. <x> is the search number.

**Group** Search

**Syntax** SEARCH:SEARCH<x>:TRIGger:A:SETHold:CLOCK:THReshold  
{<NR3>|TTL|ECL}  
SEARCH:SEARCH<x>:TRIGger:A:SETHold:CLOCK:THReshold?

**Arguments** TTL specifies a preset TTL high level of 1.4 V.  
ECL specifies a preset ECL high level of -1.3V.  
<NR3> is the clock level, in volts.

## SEARCH:SEARCH<x>:TRIGger:A:SETHold:DATA:SOURce

Sets or returns the data source setting for an setup/hold trigger search to determine where to place a mark. <x> is the search number. You cannot specify the same source for both clock and data.

**Group** Search

**Syntax** DPO Models:  
SEARCH:SEARCH<x>:TRIGger:A:SETHold:DATA:SOURce  
{CH1|CH2|CH3|CH4|MATH|REF}  
MSO Models:  
SEARCH:SEARCH<x>:TRIGger:A:SETHold:DATA:SOURce <wfm>[,<wfm>]  
[,<wfm>] [,<wfm>] [,<wfm>] [,<wfm>] [,<wfm>] [,<wfm>]  
[,<wfm>] [,<wfm>] [,<wfm>] [,<wfm>] [,<wfm>] [,<wfm>]  
[,<wfm>] [,<wfm>] [,<wfm>] [,<wfm>]  
SEARCH:SEARCH<x>:TRIGger:A:SETHold:DATA:SOURce?

**Related Commands** [SEARCH:SEARCH<x>:TRIGger:A:SETHold:CLOCK:SOURce](#)

**Arguments** DPO Models:  
CH1-CH4 specifies an input channel as the search source.  
MATH specifies the math waveform as the search source.  
REF specifies the reference waveform as the search source.  
MSO Models:  
<wfm> can be any combination of the channel, math, reference, and digital waveforms.

## SEARCH:SEARCH<x>:TRIGger:A:SETHold:DATA:THReshold

Sets or returns the data threshold setting for an setup/hold trigger search to determine where to place a mark. <x> is the search number.

**Group** Search

**Syntax** SEARCH:SEARCH<x>:TRIGger:A:SETHold:DATA:THReshold  
{<NR3>|TTL}  
SEARCH:SEARCH<x>:TRIGger:A:SETHold:DATA:THReshold?

**Arguments** TTL specifies a preset TTL high level of 1.4 V.  
<NR3> is the clock level, in volts.

## SEARCH:SEARCH<x>:TRIGger:A:SETHold:HOLDTime

Sets or returns the hold time setting for an setup/hold trigger search to determine where to place a mark. <x> is the search number.

**Group** Search

**Syntax** SEARCH:SEARCH<x>:TRIGger:A:SETHold:HOLDTime <NR3>  
SEARCH:SEARCH<x>:TRIGger:A:SETHold:HOLDTime?

**Arguments** <NR3> specifies the hold time setting in seconds. Positive values for hold time occur after the clock edge. Negative values occur before the clock edge.

## SEARCH:SEARCH<x>:TRIGger:A:SETHold:SETTime

Sets or returns the setup time setting for an setup/hold trigger search to determine where to place a mark. <x> is the search number.

**Group** Search

**Syntax** SEARCH:SEARCH<x>:TRIGger:A:SETHold:SETTime <NR3>  
SEARCH:SEARCH<x>:TRIGger:A:SETHold:SETTime?

**Arguments** <NR3> specifies the setup time for setup and hold violation triggering.

## SEARCH:SEARCH<x>:TRIGger:A:SETHold:THReshold:CH<x>

Sets or returns the trigger search setup and hold lower threshold for the selected channel. This helps determine where to place search marks. Search<x> is the search number, which is always 1. CH<x> is the channel number.

**Conditions** MSO oscilloscopes only.

**Group** Search

**Syntax** SEARCH:SEARCH<x>:TRIGger:A:SETHold:THReshold:CH<x> <NR3>  
SEARCH:SEARCH<x>:TRIGger:A:SETHold:THReshold:CH<x>?

**Arguments** <NR3> is the lower threshold in volts.

## SEARCH:SEARCH<x>:TRIGger:A:SETHold:THReshold{:MATH|:MATH1}

Sets or returns the trigger search setup and hold threshold for the math waveform. This helps to determine where to place search marks. Search<x> is the search number, which is always 1.

**Conditions** MSO oscilloscopes only.

**Group** Search

**Syntax** SEARCH:SEARCH<x>:TRIGger:A:SETHold:THReshold{:MATH|:MATH1}  
<NR3>  
SEARCH:SEARCH<x>:TRIGger:A:SETHold:THReshold{:MATH|:MATH1}?

**Arguments** <NR3> is the lower threshold in volts.

## SEARCH:SEARCH<x>:TRIGger:A:SETHold:THReshold:REF<x>

Sets or returns the trigger search setup and hold threshold for the selected reference waveform. This helps to determine where to place search marks. Search<x> is the search number, which is always 1. REF<x> is the reference waveform number.

**Conditions** MSO oscilloscopes only.

**Group** Search

**Syntax** SEARCH:SEARCH<x>:TRIGger:A:SETHold:THReshold:REF<x> <NR3>  
SEARCH:SEARCH<x>:TRIGger:A:SETHold:THReshold:REF<x>?

**Arguments** <NR3> is the lower threshold in volts.

## SEARCH:SEARCH<x>:TRIGger:A{:TRANSition|:RISEFall}:DELTime

Sets or returns the transition time setting for an transition trigger search to determine where to place a mark. <x> is the search number.

**Group** Search

**Syntax** SEARCH:SEARCH<x>:TRIGger:A{:TRANSition|:RISEFall}:DELTime  
<NR3>  
SEARCH:SEARCH<x>:TRIGger:A{:TRANSition|:RISEFall}:DELTime?

**Arguments** <NR3> specifies the transition time, in seconds.

## SEARCH:SEARCH<x>:TRIGger:A{:TRANSition|:RISEFall}:POLarity

Sets or returns the polarity setting for an transition trigger search to determine where to place a mark. <x> is the search number.

**Group** Search

**Syntax** SEARCH:SEARCH<x>:TRIGger:A{:TRANSition|:RISEFall}:POLarity  
{EITHer|NEGative|POSitive}  
SEARCH:SEARCH<x>:TRIGger:A{:TRANSition|:RISEFall}:POLarity?

**Arguments** POSitive specifies that a pulse edge must traverse from the lower (most negative) to higher (most positive) level for transition triggering to occur.

NEGative specifies that a pulse edge must traverse from the upper (most positive) to lower (most negative) level for transition triggering to occur.

EITHer specifies either positive or negative polarity.

## SEARCH:SEARCH<x>:TRIGger:A{:TRANSition|:RISEFall}:SOURCE

Sets or returns the source setting for an transition trigger search to determine where to place a mark. <x> is the search number.

**Group** Search

**Syntax** SEARCH:SEARCH<x>:TRIGger:A{:TRANSition|:RISEFall}:SOURCE  
{CH1|CH2|CH3|CH4|MATH}

SEARCH:SEARCH<x>:TRIGger:A{:TRANSition|:RISEFall}:SOUrce?

- Arguments** CH1–CH4 specifies one input channel as the edge source.  
MATH specifies the math waveform as the search source.

## SEARCH:SEARCH<x>:TRIGger:A{:TRANSition|:RISEFall}:WHEn

Sets or returns the condition setting for an transition trigger search to determine where to place a mark. <x> is the search number.

**Group** Search

**Syntax** SEARCH:SEARCH<x>:TRIGger:A{:TRANSition|:RISEFall}:WHEn  
{SLOWer|FASTer|EQua1|UNEQua1}  
SEARCH:SEARCH<x>:TRIGger:A{:TRANSition|:RISEFall}:WHEn?

- Arguments** FASTer sets the trigger to occur when the transitioning signal is faster than the set volts/second rate.  
SLOWer sets the trigger to occur when the transitioning signal is slower than the set volts/second rate.  
EQua1 sets the trigger to occur when the transitioning signal is equal to the set volts/second rate within a  $\pm 5\%$  tolerance.  
UNEQua1 sets the trigger to occur when the transitioning signal is not equal to the set volts/second rate  $\pm 5\%$ .

## SEARCH:SEARCH<x>:TRIGger:A:TYPE

Sets or returns the trigger type setting for a search to determine where to place a mark. <x> is the search number.

**Group** Search

**Syntax** SEARCH:SEARCH<x>:TRIGger:A:TYPE  
{EDGE|SETHold|PULSEwidth|RUNt|TRANSition|LOGic|BUS (with the appropriate application module installed)}  
SEARCH:SEARCH<x>:TRIGger:A:TYPE?

- Arguments** RUNt triggers when a pulse crosses the first preset voltage threshold but does not cross the second preset threshold before recrossing the first. The thresholds are

set with the `SEARCH:SEARCH<x>:TRIGger:A:LOWerthreshold:CH<x>` and `SEARCH:SEARCH<x>:TRIGger:A:UPPerthreshold:CH<x>` commands.

`PULSEWidth` triggers when a pulse is found that has the specified polarity and is either inside or outside the limits as specified by `SEARCH:SEARCH<x>:TRIGger:A:LOGIc:PATtern:WHEn:LESSLimit` and `SEARCH:SEARCH<x>:TRIGger:A:LOGIc:PATtern:WHEn:MORELimit`. The polarity is selected using the `SEARCH:SEARCH<x>:TRIGger:A:RUNT:POLarity` command.

`TRANSition` triggers when a pulse crosses both thresholds in the same direction as the specified polarity and the transition time between the two threshold crossings is greater or less than the specified time delta.

## `SEARCH:SEARCH<x>:TRIGger:A:UPPerthreshold:CH<x>`

Sets or returns the channel waveform upper threshold to determine where to place a mark. This setting is applied to all channel searches that uses an upper threshold. `SEARCH<x>` is the search number and `CH<x>` is the channel number.

**Group** Search

**Syntax** `SEARCH:SEARCH<x>:TRIGger:A:UPPerthreshold:CH<x> {TTL}`  
`SEARCH:SEARCH<x>:TRIGger:A:UPPerthreshold:CH<x>?`

**Arguments** TTL specifies a preset TTL high level of 1.4 V.

## `SEARCH:SEARCH<x>:TRIGger:A:UPPerthreshold:MATH`

Sets or returns the math waveform upper threshold to determine where to place a mark. This setting is applied to all math waveform searches that uses an upper threshold. `<x>` is the search number.

**Group** Search

**Syntax** `SEARCH:SEARCH<x>:TRIGger:A:UPPerthreshold:MATH {TTL}`  
`SEARCH:SEARCH<x>:TRIGger:A:UPPerthreshold:MATH?`

**Arguments** TTL specifies a preset TTL high level of 1.4 V.



**SEARCH:SEARCH<x>:TRIGger:A:UPPerthreshold:REF<x>**

Sets or returns the reference waveform upper threshold to determine where to place a mark. This setting is applied to all reference waveform searches that uses an upper threshold. SEARCH<x> is the search number and REF<x> is the reference channel number.

**Group** Search

**Syntax** SEARCH:SEARCH<x>:TRIGger:A:UPPerthreshold:REF<x> {TTL}  
SEARCH:SEARCH<x>:TRIGger:A:UPPerthreshold:REF<x>?

**Arguments** TTL specifies a preset TTL high level of 1.4 V.

**SElect**

Sets or returns the selected waveform display (controlled by the front-panel) on or off.

**Group** Vertical

**Syntax** SElect {ON|OFF}

**Arguments** ON turns the selected waveform display on.  
OFF turns the selected waveform display off.

**Examples** SELECT might return the following  
:SELECT:BUS1 0;BUS2 0;CH1 1;CH2 0;CH3 0;CH4 0;MATH 0;REF1 0;REF2 0;REF3 0;REF4 0;CONTROL CH1

**SElect:BUS<x>**

This command turns on and off the display of the waveform for <x>, where x is the bus number. The query returns whether the channel is on or off but does not indicate whether it is the selected waveform.

**Group** Vertical

**Syntax**     `SElect:BUS<x> {<NR1>|OFF|ON}`  
`SElect:BUS<x>?`

## SElect:CH<x>

Turns the display of the channel <x> waveform on or off, where <x > is the channel number. This command also resets the acquisition. The query returns whether the channel is on or off but does not indicate whether it is the selected waveform.

**Group**     Vertical

**Syntax**     `SElect:CH<x> {ON|OFF|<NR1>}`  
`SElect:CH<x>?`

**Arguments**     ON turns on the display of the specified waveform. This waveform also becomes the selected waveform.

OFF turns off the display of the specified waveform.

<NR1> = 0 turns off the display of the specified waveform; any other value turns on the display of the specified waveform.

**Examples**     `SELECT:CH2 ON` turns the channel 2 waveform display on, and selects channel 2.  
`SELECT:CH1?` might return `:SELECT:CH1 1` indicating that channel 1 is being displayed.

## SElect:CONTROL

Sets or returns the waveform that is the recipient of future channel-related commands, for example, the cursor commands. The command form also performs the equivalent of a [SElect:CH<x> ON](#) command, as well as the Math, Reference, and Bus variations of that command.

**Group**     Vertical

**Syntax**     `SElect:CONTROL {CH<x>|MATH|BUS<x>}`  
`SElect:CONTROL?`

**Arguments**     CH<x> specifies a channel waveform as the waveform affected by the front-panel controls. <x> is the channel number.

MATH specifies the math waveform as the waveform that is affected by the front-panel controls.

BUS<x> specifies a bus waveform as the waveform affected by the front-panel controls. <x> specifies the bus number.

**Returns** NONE if all the channels are turned off. NONE is ignored on input.

**Examples** SELECT:CONTROL CH2 resets acquisition displays on channel 2, and causes the selected waveform to be the implied object of waveform commands.

SELECT:CONTROL? might return :SELECT:CONTROL MATH indicating that math is the implied object of waveform commands.

## SElect:D<x>

Turns on the display of the digital channel <x> and resets the acquisition. <x > is the channel number. The query returns whether the channel is on or off but does not indicate whether it is the selected waveform.

**Group** Vertical

**Syntax** SElect:D<x> {<NR1>|OFF|ON}  
SElect:D<x>?

**Arguments** ON turns on the display of the specified waveform. This waveform also becomes the selected waveform.

OFF turns off the display of the specified waveform.

<NR1> = 0 turns off the display of the specified waveform; any other value turns on the display of the specified waveform.

**Examples** SELECT:D2 ON turns the digital channel 2 waveform display on, and selects digital channel 2.

SELECT:D2? might return :SELECT:D2 1 indicating that digital channel 2 is being displayed.

## SElect:MATH[1]

Turns on and off the display of the math waveform. The query returns whether the math waveform is on or off but does not indicate whether it is the selected waveform.

**Group** Vertical

**Syntax** SElect:MATH[1] {ON|OFF|<NR1>}  
SElect:MATH[1]?

**Arguments** ON turns on the display of the specified waveform. This waveform also becomes the selected waveform.

OFF turns off the display of the specified waveform.

<NR1> = 0 turns off the display of the specified waveform; any other value turns on the display of the specified waveform.

**Examples** SELECT:MATH ON turns the math waveform display on, and selects it.

SELECT:MATH? might return :SELECT:MATH 1 indicating that the math waveform is being displayed.

## SElect:REF<x>

Turns on and off the display of the reference waveform <x>. The <x > variable represents the reference channel number. The query returns whether the channel is on or off.

**Group** Vertical

**Syntax** SElect:REF<x> {ON|OFF|<NR1>}  
SElect:REF<x>?

**Arguments** ON turns on the display of the specified waveform. This waveform also becomes the selected waveform.

OFF turns off the display of the specified waveform.

<NR1> = 0 turns off the display of the specified waveform; any other value turns on the display of the specified waveform.

**Examples** `SELECT:REF2 ON` turns the channel 2 waveform display on, and selects reference waveform 2.

`SELECT:REF2?` might return `:SELECT:REF2 1` indicating that reference waveform 2 is being displayed.

## SET? (Query Only)

Returns the commands that list the oscilloscope settings except for configuration information for the calibration values, the [WFMinpre?](#) query, and the [WFMOutpre?](#) query. This query allows you to record or "learn" the current oscilloscope settings. You can use these commands to return the oscilloscope to the state it was in when you made the SET? query. The SET? query always returns command headers, regardless of the setting of the [HEADer](#) command. This is because the returned commands are intended to be sent back to the oscilloscope as a command string. The [VERBose](#) command can still be used to specify whether the returned headers should be abbreviated or full-length.

This command is identical to the [\\*LRN?](#) command.

**Group** Miscellaneous

**Syntax** SET?

**Related Commands** [HEADer](#), [\\*LRN?](#), [VERBose](#)

**Examples** SET? returns a long response, part of which could be as follows: `:SET :ACQUIRE:STOPAFTER RUNSTOP;STATE 1;MODE SAMPLE;NUMENV INFINITE;NUMAVG 16;SAMPLINGMODE RT;;HEADER 1;;LOCK NONE;;LANGUAGE ENGLISH;;VERBOSE 1;;ALIAS:STATE 0;; DISPLAY:COLOR:PALETTE NORMAL;;DISPLAY:STYLE:DOTSONLY 0;;DISPLAY:PERSISTENCE 0.0000;CLOCK 1;GRATICULE FULL;INTENSITY:WAVEFORM 30;GRATICULE 75;BACKLIGHT HIGH;;HARDCOPY:INKSAVER OFF;LAYOUT LANDSCAPE;PREVIEW 0; :SAVE:IMAGE:FILEFORMAT BMP;;SAVE:WAVEFORM:FILEFORMAT INTERNAL;;SAVE:ASSIGN:TYPE SETUP;;TRIGGER:A:MODE AUTO;TYPE EDGE;LEVEL 20.0000E-3;LEVEL:CH1 20.0000E-3;CH2 0.0000;CH3 0.0000;CH4 0.0000;;TRIGGER:A:UPPERTHRESHOLD:CH1 1.4000;CH2 800.0000E-3;CH3 800.0000E-3;CH4 800.0000E-3;; TRIGGER:A:LOWERTHRESHOLD:CH1 20.0000E-3;CH2 0.0000;CH3 0.0000;CH4 0.0000;;TRIGGER:A:HOLDOFF:TIME 20.0000E-9;;TRIGGER:A:EDGE:SOURCE CH1;COUPLING DC;SLOPE RISE;;TRIGGER:A:LOGIC:CLASS SETHOLD;FUNCTION AND;THRESHOLD:CH1 20.0000E-3;CH2 0.0000;CH3`

```
0.0000;CH4 0.0000;:TRIGGER:A:LOGIC:INPUT:CH1
X;CH2 X;CH3 X;CH4 X;CLOCK:SOURCE NONE;EDGE
RISE;:TRIGGER:A:LOGIC:PATTERN:INPUT:CH1 X;CH2
X;CH3 X;CH4 X;:TRIGGER:A :LOGIC:PATTERN:WHEN
TRUE;WHEN:LESSLIMIT 4.0000E-9;LIMIT 4.0000E-9;:TRIGGER:A
:SETHOLD:CLOCK:SOURCE CH1;EDGE RISE;THRESHOLD
20.0000E-3;:TRIGGER:A:SETHOLD:DATA:SOURCE CH2;
```

## SETUP<x>:DATE? (Query Only)

Returns the date when the oscilloscope setup was saved for the specified channel <x>.

**Group** Save and Recall

**Syntax** SETUP<x>:DATE?

**Examples** SETUP4:DATE? might return SETUP4:DATE: 04-18-06 which is the setup date for channel 4.

## SETUP<x>:LABEL

Sets or returns the setup label for the specified channel <x>, where x can be 1 through 10.

**Group** Save and Recall

**Syntax** SETUP<x>:LABEL <Qstring>

**Arguments** <Qstring> is an alphanumeric string of characters, enclosed in quotes, that defines the label text for SETUP<x>. The length of the string is limited to 30 characters.

**Examples** SETUP:LABEL? might return SETUP1:LABEL: TEST 2 which is the label setup for channel 1.

## SETUP<x>:TIME? (Query Only)

Returns the time when the oscilloscope setup was saved for the specified channel <x>.

**Group** Save and Recall

**Syntax** SETUP<x>:TIME?

**Examples** SETUP2:TIME? might return "SETUP2:TIME: 15:24:07 which is the setup time for channel 2.

## \*SRE

The \*SRE (Service Request Enable) command sets or returns the bits in the Service Request Enable Register. For information, refer to Registers.

**Group** Status and Error

**Syntax** \*SRE <NR1>  
\*SRE?

**Related Commands** [\\*CLS](#), [DESE](#), [\\*ESE](#), [\\*ESR?](#), [EVENT?](#), [EVMsg?](#), [FACTory](#), [\\*STB?](#)

**Arguments** <NR1> is a value in the range from 0 through 255. The binary bits of the SRER are set according to this value. Using an out-of-range value causes an execution error. The power-on default for SRER is 0 if \*PSC is 1. If \*PSC is 0, the SRER maintains the previous power cycle value through the current power cycle.

**Examples** \*SRE 48 sets the bits in the SRER to binary 00110000.  
\*SRE? might return 32, showing that the bits in the SRER have the binary value of 00100000.

## \*STB? (Query Only)

\*STB? (Read Status Byte) returns the contents of the Status Byte Register (SBR) using the Master Summary Status (MSS) bit. For information, refer to Registers.

<b>Group</b>	Status and Error
<b>Syntax</b>	*STB?
<b>Related Commands</b>	*CLS, DESE, *ESE, *ESR?, EVENT?, EVMsg?, FACTory, *SRE
<b>Returns</b>	<NR1>
<b>Examples</b>	*STB? might return 96, showing that the SBR contains the binary value 01100000.

## TEKSecure (No Query Form)

This command initializes both waveform and setup memories, overwriting any previously stored data. These are the [WFMinpre?](#), [WFMOupre?](#), and [DATA](#) command values after the TEKSecure operation.

```
:WFMOUTPRE:BYT_NR 1 :WFMOUTPRE:BIT_NR 8 :WFMOUTPRE:ENCDG
BIN :WFMOUTPRE:BN_FMT RI :WFMOUTPRE:BYT_OR MSB
:WFMOUTPRE:WFID "Ch1, DC coupling, 100.0mV/div,
4.000us/div, 10000 points, Sample mode" :WFMOUTPRE:NR_PT
10000 :WFMOUTPRE:PT_FMT Y :WFMOUTPRE:XUNIT "s"
:WFMOUTPRE:XINCR 4.0000E-9 :WFMOUTPRE:XZERO -20.0000E-6
:WFMOUTPRE:PT_OFF 0 :WFMOUTPRE:YUNIT "V" :WFMOUTPRE:YMULT
4.0000E-3 :WFMOUTPRE:YOFF 0.0000 :WFMOUTPRE:YZERO 0.0000
:WFMINPRE:BYT_NR 1 :WFMINPRE:BIT_NR 8 :WFMINPRE:ENCDG
BIN :WFMINPRE:BN_FMT RI :WFMINPRE:BYT_OR MSB
:WFMINPRE:NR_PT 10000 :WFMINPRE:PT_FMT Y :WFMINPRE:XUNIT
"s" :WFMINPRE:XINCR 4.0000E-9 :WFMINPRE:XZERO 0.0000
:WFMINPRE:PT_OFF 0 :WFMINPRE:YUNIT "V" :WFMINPRE:YMULT
4.0000E-3 :WFMINPRE:YOFF 0.0000 :WFMINPRE:YZERO 0.0000
DATA:DESTINATION REF1 DATA:ENCDG RIBINARY DATA:SOURCE CH1
DATA:START 1 DATA:STOP 10000 DATA:WIDTH 1
```

---

**NOTE.** The TEKSecure command can take up to five minutes to complete. The oscilloscope is inoperable during this period.

---

<b>Group</b>	Miscellaneous
<b>Syntax</b>	TEKSecure



**Examples** TEKSECURE initializes both waveform and setup memories.

This is a program example of how to generate an SRQ when TEKSECURE completes:

```
# Bit 0 of the DESE (Device Event Status Enable Register)
# enables OPC to be reported to the SESR (Standard Event
# Status Register)
DESE 255
# Bit 0 of the ESER (Event Status Enable Register)
# enables OPC to be summarized in the ESB (Event Status #
# Bit) of the SBR (Status Byte Register)
*ESE 255
# Bit 5 of the SRE (Service Request Enable Register)
enables
# the generation of SRQ when the ESB bit of the SBR
becomes # TRUE
*SRE 32
TEKSECURE;*OPC
```

When the TEKSECURE operation has completed, the OPC bit of the SESR will be TRUE and SRQ will have been generated.

## TIME

Sets or returns the time that the oscilloscope displays.

**Group** Miscellaneous

**Syntax** TIME <QString>  
TIME?

**Related Commands** [DATE](#)

**Arguments** <QString> is a time in the form "hh:mm:ss" where hh refers to a two-digit hour number, mm refers to a two-digit minute number from 00 to 59, and ss refers to a two-digit second number from 00 to 59.

**Examples** TIME "14:00:00" sets the time to exactly 2:00 p.m.

TIME? might return :TIME "14:05:17" indicating the current time is set to 2:05 p.m. and 17 seconds.

## TOTALuptime? (Query Only)

This command returns the total number of hours that the oscilloscope has been powered on since the nonvolatile memory was last programmed (usually since the initial manufacturing process).

**Group** Miscellaneous

**Syntax** TOTALuptime?

## \*TRG (No Query Form)

Performs a group execute trigger on commands defined by \*DDT.

**Group** Miscellaneous

**Syntax** \*TRG

**Related Commands** [\\*DDT](#)

**Examples** \*TRG immediately executes all commands that have been defined by \*DDT.

## TRIGger (No Query Form)

Forces a trigger event to occur.

**Group** Trigger

**Syntax** TRIGger FORCE  
TRIGger?

**Arguments** FORCE creates a trigger event. If TRIGger:STATE is set to READY, the acquisition will complete. Otherwise, this command will be ignored.

**Examples** TRIGGER FORCE forces a trigger event to occur.

## TRIGger:A

Sets the A trigger level automatically to 50% of the range of the minimum and maximum values of the trigger input signal. The query returns current A trigger parameters. The trigger level is the voltage threshold through which the trigger source signal must pass to generate a trigger event. This command works for the following cases: Edge Trigger (when source is Not Line), Logic Trigger (when Clock Source is not Off or Logic Pattern is Don't Care), and Pulse Width Trigger.

**Group** Trigger

**Syntax** TRIGger:A SETLevel  
TRIGger:A?

**Related Commands** [TRIGger:A:EDGE?](#), [TRIGger:A:LOGic?](#), [TRIGger:A:PULse?](#)

**Arguments** SETLevel sets the A trigger level to 50% of the range of the minimum and maximum values of the trigger input signal.

**Examples** TRIGGER:A SETLEVEL sets the A trigger level to 50% of the range of the minimum and maximum values of the trigger input signal.

```
TRIGGER:A? might return a long response with A trigger parameters,
some of which could be as follows: :TRIGGER:A:MODE AUTO;TYPE
EDGE;LEVEL 20.0000E-3;LEVEL:CH1 20.0000E-3;CH2 0.0000;
CH3 0.0000;CH4 0.0000;:TRIGGER:A:UPPERTHRESHOLD:CH1
1.4000;CH2 800.0000E-3;CH3 8 00.0000E-3;CH4
800.0000E-3;:TRIGGER:A:LOWERTHRESHOLD:CH1 20.0000E-3;CH2
0.0000;CH3 0.0000;CH4 0.0000;:TRIGGER:A:HOLDOFF:TIME
20.0000E-9;:TRIGGER:A:EDGE:SOURCE CH1;COUPLING
DC;SLOPE RISE;:TRIGGER:A:LOGIC:CLASS SETHOLD;FUNCTION
AND;THRESHOLD: CH1 20.0000E-3;CH2 0.0000;CH3
0.0000;CH4 0.0000;:TRIGGER:A:LOGIC:INPUT:CH1
X;CH2 X;CH3 X;CH4 X;CLOCK:SOURCE NONE;EDGE
RISE;:TRIGGER:A:LOGIC:PATTERN:INPUT:CH1 X; CH2
X;CH3 X;CH4 X;:TRIGGER:A:LOGIC:PATTERN:WHEN
TRUE;WHEN:LESSLIMIT 4.0000E-9;MO RELIMIT
4.0000E-9;:TRIGGER:A:SETHOLD:CLOCK:SOURCE CH1;EDGE
RISE;THRESHOLD 20.000 0E-3;:TRIGGER:A:SETHOLD:DATA:SOURCE
CH2;THRESHOLD 0.0000;:TRIGGER:A:SETHOLD:HOLD TIME
4.0000E-9;SETTIME 4.0000E-9;:TRIGGER:A:PULSE:CLASS
TRANSITION;:TRIGGER:A:PULSEWIDTH:SOURCE
CH1;POLARITY POSITIVE;WHEN LESSTHAN;WIDTH
4.0000E-9;:TRIGGER:A:RUNT:SOURCE CH1;POLARITY POSITIVE;WHEN
```

```
OCCURS;WIDTH 4.0000E-9;:TRIGGER:A:TRANSITION:SOURCE
CH1;POLARITY POSITIVE;WHEN SLOWER;DELTATIME
4.0000E-9;:TRIGGER:A:VIDEO :POLARITY POSITIVE;SOURCE
CH1;STANDARD NTSC;SYNC ALLLINES;HOLDOFF:FIELD 0.0000;:
TRIGGER:A:VIDEO:CUSTOM:FORMAT PROGRESSIVE;SCAN
RATE15K;:TRIGGER:A:VIDEO:LINE 1;H DTV:FORMAT
HD1080I60;:TRIGGER:A:BUS:SOURCE B1;B1:I2C:CONDITION
START;DATA:VALUE "XXXXXXXX";SIZE 1;START 0.0000;DIRECTION
NOCARE;:TRIGGER:A:BUS:B1:I2C:ADDRESS:MODE
ADDR7;TYPE USER;VALUE
"XXXXXXXX";:TRIGGER:A:BUS:B1:SPI:CONDITION MOSI;DATA:OUT
:VALUE "XXXXXXXX";:TRIGGER:A:BUS:B1:SPI:DATA:IN:VALUE
"XXXXXXXX";:TRIGGER:A:BUS: B1:SPI:DATA:SIZE 1;START 0.0000;:
```

## TRIGger:A:BUS

Sets or returns the trigger type: I2C, CAN, SPI, RS-232, or Parallel. There are up to four serial buses, B1–B4, depending on your instrument model. Each can be independently set to one of the serial trigger types. The serial parameters related to the trigger are broken into two sections: Trigger:A:SERIAL xxx, consisting of parameters the user will change frequently, and BUS:B1:xxx, consisting of parameters the user will specify once (bus definition).

**Conditions** Requires a DPO4AUTO, DPO4EMBD, or DPO4COMP application module.

**Group** Trigger

**Syntax** TRIGger:A:BUS {I2C|SPI|CAN|RS232|PARa11e1}  
TRIGger:A:BUS?

**Arguments** I2C specifies the Inter-IC bus.  
SPI specifies the Serial Peripheral Interface bus.  
CAN specifies the Controller Area Network bus.  
PARa11e1 specifies the Parallel bus.

---

**NOTE.** *Parallel bus commands work with MSO4000 Series oscilloscopes only.*

---

## TRIGger:A:BUS:B<1-4>:AUDio:CONDition

Sets or returns the trigger condition for the AUDIO bus: Start of Frame or Data.

**Conditions** This command requires DPO4AUDIO application module.

**Group** Trigger

**Syntax** TRIGger:A:BUS:B<1-4>:AUDio:CONDition {SOF|DATA}  
TRIGger:A:BUS:B<1-4>:AUDio:CONDition?

**Arguments** SOF enables triggering on the start of frame.  
DATA enables triggering on matching data.

## TRIGger:A:BUS:B<1-4>:AUDio:DATA:HIVALue

Sets or returns the trigger data upper word for the AUDIO bus.

**Conditions** This command requires DPO4AUDIO application module.

**Group** Trigger

**Syntax** TRIGger:A:BUS:B<1-4>:AUDio:DATA:HIVALue <String>  
TRIGger:A:BUS:B<1-4>:AUDio:DATA:HIVALue?

## TRIGger:A:BUS:B<1-4>:AUDio:DATA:OFFSet

Sets or returns the trigger data offset for the AUDIO bus.

**Conditions** This command requires DPO4AUDIO application module.

**Group** Trigger

**Syntax** TRIGger:A:BUS:B<1-4>:AUDio:DATA:OFFSet <NR1>  
TRIGger:A:BUS:B<1-4>:AUDio:DATA:OFFSet?

**Arguments** <NR1> is the trigger data offset value.

## TRIGger:A:BUS:B<1-4>:AUDio:DATA:QUALifier

Sets or returns the trigger data qualifier for the AUDIO bus.

**Conditions** This command requires DPO4AUDIO application module.

**Group** Trigger

**Syntax** TRIGger:A:BUS:B<1-4>:AUDio:DATA:QUALifier  
{LESSThan|MOREThan|EQUa1|UNEQUa1|LESSEQUa1|MOREEQUa1|INrange|OUTrange}  
TRIGger:A:BUS:B<1-4>:AUDio:DATA:QUALifier?

**Arguments** LESSThan sets the Audio data qualifier to less than.  
MOREThan sets the Audio data qualifier to greater than.  
EQUa1 sets the Audio data qualifier to equal.  
UNEQUa1 sets the Audio data qualifier to not equal.  
LESSEQUa1 sets the Audio data qualifier to less than or equal.  
MOREEQUa1 sets the Audio data qualifier to greater than or equal.  
INrange sets the Audio data qualifier to in range.  
OUTrange sets the Audio data qualifier to out of range.

## TRIGger:A:BUS:B<1-4>:AUDio:DATA:VALue

Sets or returns the trigger data lower word for the AUDIO bus.

**Conditions** This command requires DPO4AUDIO application module.

**Group** Trigger

**Syntax** TRIGger:A:BUS:B<1-4>:AUDio:DATA:VALue <String>  
TRIGger:A:BUS:B<1-4>:AUDio:DATA:VALue?

**Arguments** <String> specifies the trigger data lower word.

## TRIGger:A:BUS:B<1-4>:AUDio:DATA:WORD

Sets or returns the trigger data alignment for the AUDIO bus.

**Conditions** This command requires DPO4AUDIO application module.

**Group** Trigger

**Syntax** TRIGger:A:BUS:B<1-4>:AUDio:DATA:WORD {EITHer|LEFt|RIGht}  
TRIGger:A:BUS:B<1-4>:AUDio:DATA:WORD?

**Arguments** EITHer aligns the trigger data to either left or right.

LEFt aligns the trigger data to the left.

RIGht aligns the trigger data to the right.

## TRIGger:A:BUS:B<x>:CAN:CONDition

Sets or returns the CAN trigger condition for bus <x>, where x is the bus number.

**Conditions** Requires a DPO4AUTO application module.

**Group** Trigger

**Syntax** TRIGger:A:BUS:B<x>:CAN:CONDition  
{SOF|FRAMeType|IDentifier|DATA|IDANDDATA|EOF|ACKMISS}  
TRIGger:A:BUS:B<x>:CAN:CONDition?

**Arguments** SOF enables triggering on the start of frame.

FRAMeType enables triggering on the type of frame.

IDentifier enables triggering on a matching identifier.

DATA enables triggering on matching data.

IDANDDATA enables triggering on a matching identifier and matching data.

EOF enables triggering on the end of frame.

ACKMISS enables triggering on a missing acknowledge.

- Examples** TRIGGER:A:BUS:B1:CAN:CONDITION? might return :TRIGGER:A:BUS:B1:CAN:CONDITION EOF indicating an end of file condition.
- TRIGGER:A:BUS:B1:CAN:CONDITION DATA enables triggering on matching CAN data.

## TRIGger:A:BUS:B<x>:CAN:DATA:DIRection

Sets or returns the CAN trigger data direction to be valid on a Read, Write, or Either condition for bus <x>, where x is the bus number. This applies only, if the trigger condition is ID.

- Conditions** Requires a DPO4AUTO application module.
- Group** Trigger
- Syntax** TRIGger:A:BUS:B<x>:CAN:DATA:DIRection {READ|WRITE|NOCARE}  
TRIGger:A:BUS:B<x>:CAN:DATA:DIRection?
- Arguments** READ sets the CAN data direction to READ.  
WRITE sets the CAN data direction to WRITE.  
NOCARE sets the CAN data direction to either.
- Examples** TRIGGER:A:BUS:B1:CAN:DATA:DIRECTION WRITE sets the CAN data direction to Write.

## TRIGger:A:BUS:B<x>:CAN:DATA:QUALifier

Sets or returns the CAN data qualifier for bus <x>, where x is the bus number. This applies only, if the trigger condition is IDANDDATA or DATA.

- Conditions** Requires a DPO4AUTO application module.
- Group** Trigger
- Syntax** TRIGger:A:BUS:B<x>:CAN:DATA:QUALifier  
{LESSThan|Than|EQUa1|UNEQUa1|LESSEQUa1|EQUa1}  
TRIGger:A:BUS:B<x>:CAN:DATA:QUALifier?



- Arguments**    **LESSThan** sets the oscilloscope to trigger when the data is less than the qualifier value.
- Than** sets the oscilloscope to trigger when the data is than the qualifier value.
- EQUa1** sets the oscilloscope to trigger when the data is equal to the qualifier value.
- UNEQUa1** sets the oscilloscope to trigger when the data is not equal to the qualifier value.
- LESSEQUa1** sets the oscilloscope to trigger when the data is less than or equal to the qualifier value.
- EQUa1** sets the oscilloscope to trigger when the data is than or equal to the qualifier value.
- Examples**     **TRIGGER:A:BUS:B1:CAN:DATA:QUALIFIER LESSTHAN** sets the oscilloscope to trigger when the data is less than the qualifier value.
- TRIGGER:A:BUS:B1:CAN:DATA:QUALIFIER?** might return  
                   **:TRIGGER:A:BUS:B1:CAN:DATA:QUALIFIER THAN**, indicating that the oscilloscope is set to trigger when the data is than the qualifier value.

## TRIGger:A:BUS:B<x>:CAN:DATA:SIZE

Sets or returns the length of the data string in bytes for a CAN trigger if the condition is DATA or IDANDDATA. Applies to bus <x>, where x is the bus number.

- Conditions**    This command requires a DPO4AUTO application module.
- Group**         Trigger
- Syntax**        **TRIGger:A:BUS:B<x>:CAN:DATA:SIZE <NR1>**  
**TRIGger:A:BUS:B<x>:CAN:DATA:SIZE?**
- Arguments**    <NR1> is the length of the data string in bytes.

## TRIGger:A:BUS:B<x>:CAN:DATA:VALue

Sets or returns the binary data string to be used for a CAN trigger if the trigger condition is ID or IDANDDATA. Applies to bus <x>, where x is the bus number.

- Conditions**    This command requires a DPO4AUTO application module.

<b>Group</b>	Trigger
<b>Syntax</b>	TRIGger:A:BUS:B<x>:CAN:DATA:VALue <QString> TRIGger:A:BUS:B<x>:CAN:DATA:VALue?
<b>Arguments</b>	<QString> is the CAN data value in binary format. The only allowed characters in the QString are 0, 1, and X.
<b>Examples</b>	TRIGGER:A:BUS:B1:CAN:DATA:VALUE 1011 sets the CAN data value to 1011.

## TRIGger:A:BUS:B<x>:CAN:FRAMEType

Sets or returns the frame type for a CAN FRAMEType trigger. Applies to bus <x>, where x is the bus number.

<b>Conditions</b>	This command requires a DPO4AUTO application module. This command is only valid when the <a href="#">TRIGger:A:BUS:B&lt;x&gt;:CAN:CONDition</a> is FRAMETYPE.
-------------------	---

<b>Group</b>	Trigger
<b>Syntax</b>	TRIGger:A:BUS:B<x>:CAN:FRAMEType {DATA REMote ERRor OVERLoad} TRIGger:A:BUS:B<x>:CAN:FRAMEType?
<b>Arguments</b>	DATA specifies a data frame type. REMote specifies a remote frame type. ERRor specifies an error frame type. OVERLo1d specifies an overload frame type.
<b>Examples</b>	TRIGGER:A:BUS:B1:CAN:FRAMETYPE DATA sets the CAN trigger frame type to DATA.

## TRIGger:A:BUS:B<x>:CAN{IDentifier|ADDRESS}:MODE

Sets or returns the CAN addressing mode for bus <x>, where x is the bus number. Use this command to do the following:

- Trigger on ID
- Trigger in IDANDDATA

<b>Conditions</b>	This command requires a DPO4AUTO application module.
<b>Group</b>	Trigger
<b>Syntax</b>	TRIGger:A:BUS:B<x>:CAN{:IDentifier :ADDRESS}:MODE {STANDARD EXTENDED} TRIGger:A:BUS:B<x>:CAN{:IDentifier :ADDRESS}:MODE?
<b>Arguments</b>	STANDARD specifies the standard addressing mode. EXTENDED specifies the extended addressing mode.

## TRIGger:A:BUS:B<x>:CAN{:IDentifier|:ADDRESS}:VALue

Sets or returns the binary address string used for a CAN trigger if the trigger condition is ID or IDANDDATA. Applies to bus <x>, where x is the bus number.

<b>Conditions</b>	This command requires a DPO4AUTO application module.
<b>Group</b>	Trigger
<b>Syntax</b>	TRIGger:A:BUS:B<x>:CAN{:IDentifier :ADDRESS}:VALue <QString> TRIGger:A:BUS:B<x>:CAN{:IDentifier :ADDRESS}:VALue?
<b>Arguments</b>	<QString> is up to 29 bits specifying the binary CAN identifier value. The only allowed characters in the QString are 0, 1, and X.
<b>Examples</b>	TRIGGER:A:BUS:B1:CAN:IDENTIFIER:VALUE 1011 sets the CAN trigger identifier value to 1011.

## TRIGger:A:BUS:B<x>:FLEXray:CONDition

Sets or returns the trigger condition for FLEXRAY.

<b>Group</b>	Trigger
--------------	---------

**Syntax** TRIGGER:A:BUS:B<x>:FLEXray:CONDition  
 {SOF|FRAMEType|IDentifier|CYCLEcount|HEADer|DATA|IDANDDATA|EOF|ERROR}  
 TRIGGER:A:BUS:B<x>:FLEXray:CONDition?

**Arguments** SOF sets the FLEXRAY trigger condition to start of frame.  
 FRAMEType sets the FLEXRAY trigger condition to frame type.  
 IDentifier sets the FLEXRAY trigger condition to identifier.  
 CYCLEcount sets the FLEXRAY trigger condition to cycle count.  
 HEADer sets the FLEXRAY trigger condition to header.  
 DATA sets the FLEXRAY trigger condition to data.  
 IDANDDATA sets the FLEXRAY trigger condition to id and data.  
 EOF sets the FLEXRAY trigger condition to end of frame.  
 ERROR sets the FLEXRAY trigger condition to error.

**Examples** TRIGGER:A:BUS:B1:FLEXRAY:CONDITION? might return  
 TRIGGER:A:BUS:B1:FLEXRAY:CONDITION SOF indicating the  
 GLEXRAY condition is start of frame.  
 TRIGGER:A:BUS:B1:FLEXRAY:CONDITION? might return  
 TRIGGER:A:BUS:B1:FLEXRAY:CONDITION SOF indicating the  
 GLEXRAY condition is start of frame.

## TRIGger:A:BUS:B<x>:FLEXray:CYCLEcount:HIVALue

Sets or returns the binary data string to be used for FLEXRAY cycle count high value.

**Group** Trigger

**Syntax** TRIGGER:A:BUS:B<x>:FLEXray:CYCLEcount:HIVALue <QString>  
 TRIGGER:A:BUS:B<x>:FLEXray:CYCLEcount:HIVALue?

**Arguments** <QString> is a quoted string that is the cycle count high value.

**Examples** TRIGGER:A:BUS:B1:FLEXRAY:CYCLECOUNT:HIVALUE "110010" sets the  
 cycle count high value to 110010.

TRIGGER:A:BUS:B1:FLEXRAY:CYCLECOUNT:HIVALUE? might return  
 TRIGGER:A:BUS:B1:FLEXRAY:CYCLECOUNT:HIVALUE "XXXXXX" indicating  
 the cycle count high value is don't care.

## TRIGger:A:BUS:B<x>:FLEXray:CYCLEcount:QUALifier

Sets or returns the FLEXRAY cycle count qualifier.

<b>Group</b>	Trigger
<b>Syntax</b>	TRIGger:A:BUS:B<x>:FLEXray:CYCLEcount:QUALifier {LESSThan MOREThan EQUa1 UNEQUa1 LESSEQUa1 MOREEQUa1  INrange OUTrange} TRIGger:A:BUS:B<x>:FLEXray:CYCLEcount:QUALifier?
<b>Arguments</b>	LESSThan sets the FLEXRAY cycle count qualifier to less than. MOREThan sets the FLEXRAY cycle count qualifier to more than. EQUa1 sets the FLEXRAY cycle count qualifier to equal. UNEQUa1 sets the FLEXRAY cycle count qualifier to not equal. LESSEQUa1 sets the FLEXRAY cycle count qualifier to less than or equal. MOREEQUa1 sets the FLEXRAY cycle count qualifier to greater than or equal. INrange sets the FLEXRAY cycle count qualifier to in range. OUTrange sets the FLEXRAY cycle count qualifier to out of range.
<b>Examples</b>	TRIGGER:A:BUS:B1:FLEXRAY:CYCLECOUNT:QUALIFIER LESSTHAN sets the cycle count qualifier to LESSTHAN. TRIGGER:A:BUS:B1:FLEXRAY:CYCLECOUNT:QUALIFIER? might return TRIGGER:A:BUS:B1:FLEXRAY:CYCLECOUNT:QUALIFIER EQUAL indicating that the cycle count qualifier is set to EQUAL.

## TRIGger:A:BUS:B<x>:FLEXray:CYCLEcount:VALue

Sets or returns the binary data string to be used for FLEXRAY cycle count low  
 value.

**Group** Trigger

**Syntax** TRIGger:A:BUS:B<x>:FLEXray:CYCLEcount:VALue <QString>  
 TRIGger:A:BUS:B<x>:FLEXray:CYCLEcount:VALue?

**Arguments** <QString> is a quoted string that is the FLEXRAY binary data string that is the cycle count low value.

**Examples** TRIGGER:A:BUS:B1:FLEXRAY:CYCLECOUNT:VALUE "11001101" sets the cycle count value to 11001101.  
 TRIGGER:A:BUS:B1:FLEXRAY:CYCLECOUNT:VALUE? might return  
 TRIGGER:A:BUS:B1:FLEXRAY:CYCLECOUNT:VALUE "XXXXXX" indicating the cycle count value is don't care.

## TRIGger:A:BUS:B<x>:FLEXray:DATA:HIVALue

Sets or returns the high binary data string to be used for FLEXRAY trigger if trigger condition is ID or IDANDDATA.

**Group** Trigger

**Syntax** TRIGger:A:BUS:B<x>:FLEXray:DATA:HIVALue <QString>  
 TRIGger:A:BUS:B<x>:FLEXray:DATA:HIVALue?

**Arguments** <QString> is a quoted string that is the FLEXRAY binary data high value.

**Examples** TRIGGER:A:BUS:B1:FLEXRAY:DATA:HIVALUE  
 "11001101XX  
 XXXXXX1" sets the binary data string high value to  
 "11001101XX  
 XXXXXX1".  
 TRIGGER:A:BUS:B1:FLEXRAY:DATA:HIVALUE? might  
 return TRIGGER:A:BUS:B1:FLEXRAY:DATA:HIVALUE  
 "XX  
 XXXXXX" indicating the binary data string high value is don't care.

## TRIGger:A:BUS:B<x>:FLEXray:DATA:OFFSet

Sets or returns the offset of the data string in bytes to be used for FLEXRAY trigger.

<b>Group</b>	Trigger
<b>Syntax</b>	TRIGger:A:BUS:B<x>:FLEXray:DATA:OFFSet <NR1> TRIGger:A:BUS:B<x>:FLEXray:DATA:OFFSet?
<b>Arguments</b>	<NR1> is the offset of the data string in bytes. A byte offset of -1 signifies don't care, and no byte offset is used. The instrument will trigger or match any byte value that fits.
<b>Examples</b>	TRIGGER:A:BUS:B1:FLEXRAY:DATA:OFFSET? might return TRIGGER:A:BUS:B1:FLEXRAY:DATA:OFFSET 0 indicating that a data offset of 0.  TRIGGER:A:BUS:B1:FLEXRAY:DATA:OFFSET? might return TRIGGER:A:BUS:B1:FLEXRAY:DATA:OFFSET 0 indicating that a data offset of 0.

## TRIGger:A:BUS:B<x>:FLEXray:DATA:QUALifier

Sets or returns the FLEXRAY data qualifier.

<b>Group</b>	Trigger
<b>Syntax</b>	TRIGger:A:BUS:B<x>:FLEXray:DATA:QUALifier {LESSThan MOREThan EQUal UNEQua1 LESSEQua1 MOREEQua1 INrange OUTrange} TRIGger:A:BUS:B<x>:FLEXray:DATA:QUALifier?
<b>Arguments</b>	LESSThan sets the FLEXRAY data qualifier to less than. MOREThan sets the FLEXRAY data qualifier to greater than. EQUal sets the FLEXRAY data qualifier to equal. UNEQua1 sets the FLEXRAY data qualifier to not equal. LESSEQua1 sets the FLEXRAY data qualifier to less than or equal. MOREEQua1 sets the FLEXRAY data qualifier to greater than or equal. INrange sets the FLEXRAY data qualifier to in range. OUTrange sets the FLEXRAY data qualifier to out of range.

**Examples** TRIGGER:A:BUS:B1:FLEXRAY:DATA:QUALIFIER LESSTHAN sets the data qualifier to LESSTHAN.

TRIGGER:A:BUS:B1:FLEXRAY:DATA:QUALIFIER? might return TRIGGER:A:BUS:B1:FLEXRAY:DATA:QUALIFIER EQUAL indicating the data qualifier is EQUAL.

## TRIGger:A:BUS:B<x>:FLEXray:DATA:SIZE

Sets or returns the length of the data string in bytes to be used for FLEXRAY trigger.

**Group** Trigger

**Syntax** TRIGger:A:BUS:B<x>:FLEXray:DATA:SIZE <NR1>  
TRIGger:A:BUS:B<x>:FLEXray:DATA:SIZE?

**Arguments** <NR1> is the FLEXRAY data string length in bytes.

**Examples** TRIGGER:A:BUS:B1:FLEXRAY:DATA:SIZE 8 sets the data string size to 8 bytes.

TRIGGER:A:BUS:B1:FLEXRAY:DATA:SIZE? might return TRIGGER:A:BUS:B1:FLEXRAY:DATA:SIZE 1 indicating the data size is 1 byte.

## TRIGger:A:BUS:B<x>:FLEXray:DATA:VALue

Sets or returns the low binary data string to be used for FLEXRAY trigger condition if trigger condition is ID or IDANDDATA.

**Group** Trigger

**Syntax** TRIGger:A:BUS:B<x>:FLEXray:DATA:VALue <QString>  
TRIGger:A:BUS:B<x>:FLEXray:DATA:VALue?

**Arguments** <QString> is a quoted string that is the binary data string for a FLEXRAY trigger if the trigger condition is ID or IDANDDATA.



**Examples** TRIGGER:A:BUS:B1:FLEXRAY:DATA:VALUE "11001101" sets the FLEXRAY data value for triggering to 11001101.

TRIGGER:A:BUS:B1:FLEXRAY:DATA:VALUE? might return TRIGGER:A:BUS:B1:FLEXRAY:DATA:VALUE "XXXXXXXX" indicating the FLEXRAY data value is don't care.

## TRIGger:A:BUS:B<x>:FLEXray:EOFTYPE

Sets or returns the end of file type used for FLEXRAY trigger.

**Group** Trigger

**Syntax** TRIGger:A:BUS:B<x>:FLEXray:EOFTYPE {STATic|DYNAMic|ANY}  
TRIGger:A:BUS:B<x>:FLEXray:EOFTYPE?

**Arguments** STATic specifies triggering on the STATIC end of file type.  
DYNAMic specifies triggering on the DYNAMIC end of file type.  
ANY specifies triggering on a STATIC or DYNAMIC end of file type.

**Examples** TRIGGER:A:BUS:B1:FLEXRAY:EOFTYPE ANY sets the FLEXRAY end of file type to ANY.

TRIGGER:A:BUS:B1:FLEXRAY:EOFTYPE? might return TRIGGER:A:BUS:B1:FLEXRAY:EOFTYPE STATIC indicating the FLEXRAY end of file type is STATIC

## TRIGger:A:BUS:B<x>:FLEXray:ERRTYPE

Sets or returns the error type be used for FLEXRAY trigger.

**Group** Trigger

**Syntax** TRIGger:A:BUS:B<x>:FLEXray:ERRTYPE  
{CRCHeader|CRCTrailer|SYNCFRAME|STARTUPnosync|NULLFRStatic|NULLFRDynamic}  
TRIGger:A:BUS:B<x>:FLEXray:ERRTYPE?

**Arguments** CRCHeader sets the FLEXRAY error type for a trigger to CRCHeader.  
CRCTrailer sets the FLEXRAY error type for a trigger to CRCTrailer.

SYNCFrame sets the FLEXRAY error type for a trigger to SYNCFrame.

STARTupnosync sets the FLEXRAY error type for a trigger to STARTupnosync.

NULLFRStatic sets the FLEXRAY error type for a trigger to NULLFRStatic.

NULLFRDynamic sets the FLEXRAY error type for a trigger to NULLFRDynamic.

**Examples** TRIGGER:A:BUS:B1:FLEXRAY:ERRTYPE SYNCFRAME sets the FLEXRAY trigger type is SYNCFRAME.

TRIGGER:A:BUS:B1:FLEXRAY:ERRTYPE? might return TRIGGER:A:BUS:B1:FLEXRAY:ERRTYPE CRCHEADER indicating the FLEXRAY trigger type is CRCHeader.

## TRIGger:A:BUS:B<x>:FLEXray:FRAMEID:HIVALue

Sets or returns the binary data string to be used for FLEXRAY frame ID high value.

**Group** Trigger

**Syntax** TRIGger:A:BUS:B<x>:FLEXray:FRAMEID:HIVALue <QString>  
TRIGger:A:BUS:B<x>:FLEXray:FRAMEID:HIVALue?

**Arguments** <QString> is a quoted string that is the binary frame id high value.

**Examples** TRIGGER:A:BUS:B1:FLEXRAY:FRAMEID:HIVALUE "11001100101" sets the frame id high value to 11001100101.

TRIGGER:A:BUS:B1:FLEXRAY:FRAMEID:HIVALUE? might return TRIGGER:A:BUS:B1:FLEXRAY:FRAMEID:HIVALUE "XXXXXXXXXXXX" indicating the frame id high value is don't care.

## TRIGger:A:BUS:B<x>:FLEXray:FRAMEID:QUALifier

Sets or returns the FLEXRAY frame ID qualifier.

**Group** Trigger

**Syntax** TRIGger:A:BUS:B<x>:FLEXray:FRAMEID:QUALifier  
{LESSThan|MOREThan|EQUa1|UNEQUa1|LESSEQUa1|MORREEQUa1|INrange|OUTrange}

TRIGger:A:BUS:B<x>:FLEXray:FRAMEID:QUALifier?

- Arguments**
- LESSThan sets the frame id qualifier to less than.
  - MOREThan sets the frame id qualifier to greater than.
  - EQUAl sets the frame id qualifier to equal.
  - UNEQUAl sets the frame id qualifier to not equal.
  - LESSEQUAl sets the frame id qualifier to less than or equal.
  - MOREEQUAl sets the frame id qualifier to greater than or equal.
  - INrange sets the frame id qualifier to in range.
  - OUTrange sets the frame id qualifier to out of range.

- Examples**
- TRIGGER:A:BUS:B1:FLEXRAY:FRAMEID:QUALIFIER LESSTHAN sets the frame id qualifier to less than.
- TRIGGER:A:BUS:B1:FLEXRAY:FRAMEID:QUALIFIER? might return  
TRIGGER:A:BUS:B1:FLEXRAY:FRAMEID:QUALIFIER EQUAL indicating the frame id qualifier is set to equal.

## TRIGger:A:BUS:B<x>:FLEXray:FRAMEID:VALue

Sets or returns the binary data string to be used for FLEXRAY frame ID low value.

**Group** Trigger

**Syntax** TRIGger:A:BUS:B<x>:FLEXray:FRAMEID:VALue <QString>  
TRIGger:A:BUS:B<x>:FLEXray:FRAMEID:VALue?

**Arguments** <QString> is a quoted string that is the FLEXRAY frame ID low value.

- Examples**
- TRIGGER:A:BUS:B1:FLEXRAY:FRAMEID:VALUE "11001100101" sets the frame id value to 11001100101.
- TRIGGER:A:BUS:B1:FLEXRAY:FRAMEID:VALUE? might return  
TRIGGER:A:BUS:B1:FLEXRAY:FRAMEID:VALUE "XXXXXXXXXXXX" indicating the frame id value is don't care.

## TRIGger:A:BUS:B<x>:FLEXray:FRAMEType

Sets or returns the frame type for FLEXRAY.

**Group** Trigger

**Syntax** TRIGger:A:BUS:B<x>:FLEXray:FRAMEType  
{NORMa1|PAYLoad|NULL|SYNC|STARTUp}  
TRIGger:A:BUS:B<x>:FLEXray:FRAMEType?

**Arguments** NORMa1 specifies the normal frame type.  
PAYLoad specifies the payload frame type.  
NULL specifies the null frame type.  
SYNC specifies the sync frame type.  
STARTUp specifies the startup frame type.

**Examples** TRIGGER:A:BUS:B1:FLEXRAY:FRAMETYPE PAYLOAD sets the frame type to payload.  
TRIGGER:A:BUS:B1:FLEXRAY:FRAMETYPE? might return  
TRIGGER:A:BUS:B1:FLEXRAY:FRAMETYPE NORMAL indicating the frame type is set to normal.

## TRIGger:A:BUS:B<x>:FLEXray:HEADER:CRC

Sets or returns the CRC portion of the binary header string to be used for FLEXRAY trigger.

**Group** Trigger

**Syntax** TRIGger:A:BUS:B<x>:FLEXray:HEADER:CRC <QString>  
TRIGger:A:BUS:B<x>:FLEXray:HEADER:CRC?

**Arguments** <QString> is a quoted string that is the CRC portion of the binary header string.

**Examples** TRIGGER:A:BUS:B1:FLEXRAY:HEADER:CRC "11001100101" sets the CRC portion of the binary header string to 11001100101.

TRIGGER:A:BUS:B1:FLEXRAY:HEADER:CRC? might return  
 TRIGGER:A:BUS:B1:FLEXRAY:HEADER:CRC "XXXXXXXXXXXX" indicating the  
 CRC portion of the binary header string is don't care.

## TRIGger:A:BUS:B<x>:FLEXray:HEADER:CYCLEcount

Sets or returns the cycle count portion of the binary header string to be used for FLEXRAY trigger.

<b>Group</b>	Trigger
<b>Syntax</b>	TRIGger:A:BUS:B<x>:FLEXray:HEADER:CYCLEcount <QString> TRIGger:A:BUS:B<x>:FLEXray:HEADER:CYCLEcount?
<b>Arguments</b>	<QString> is a quoted string that is the cycle count portion of the binary header string.
<b>Examples</b>	TRIGGER:A:BUS:B1:FLEXRAY:HEADER:CYCLECOUNT "110010" sets the cycle count to 110010.  TRIGGER:A:BUS:B1:FLEXRAY:HEADER:CYCLECOUNT? might return TRIGGER:A:BUS:B1:FLEXRAY:HEADER:CYCLECOUNT "XXXXXX" indicating the cycle count is don't care.

## TRIGger:A:BUS:B<x>:FLEXray:HEADER:FRAMEID

Sets or returns the frame id portion of the binary header string to be used for FLEXRAY trigger.

<b>Group</b>	Trigger
<b>Syntax</b>	TRIGger:A:BUS:B<x>:FLEXray:HEADER:FRAMEID <QString> TRIGger:A:BUS:B<x>:FLEXray:HEADER:FRAMEID?
<b>Arguments</b>	<QString> is a quoted string that is the frame id portion of the binary header string.
<b>Examples</b>	TRIGGER:A:BUS:B1:FLEXRAY:HEADER:FRAMEID "11001100101" sets the frame id portion of the binary header string to 11001100101.

TRIGGER:A:BUS:B1:FLEXRAY:HEADER:FRAMEID? might return  
TRIGGER:A:BUS:B1:FLEXRAY:HEADER:FRAMEID "XXXXXXXXXXXX"  
indicating the frame id portion of the binary header string are don't cares.

## TRIGger:A:BUS:B<x>:FLEXray:HEADER:INDBits

Sets or returns the indicator bits portion of the binary header string to be used for FLEXRAY trigger.

<b>Group</b>	Trigger
<b>Syntax</b>	TRIGger:A:BUS:B<x>:FLEXray:HEADER:INDBits <QString> TRIGger:A:BUS:B<x>:FLEXray:HEADER:INDBits?
<b>Arguments</b>	<QString> is a quoted string that is the indicator bits portion of the binary header string.
<b>Examples</b>	TRIGGER:A:BUS:B1:FLEXRAY:HEADER:INDBITS "11001 sets the indicator bits portion of the header string to 11001.  TRIGGER:A:BUS:B1:FLEXRAY:HEADER:INDBITS? might return TRIGGER:A:BUS:B1:FLEXRAY:HEADER:INDBITS "XXXXX" indicating that the indicator bits portion of the header string are don't cares.

## TRIGger:A:BUS:B<x>:FLEXray:HEADER:PAYLength

Sets or returns the payload length portion of the binary header string to be used for FLEXRAY trigger.

<b>Group</b>	Trigger
<b>Syntax</b>	TRIGger:A:BUS:B<x>:FLEXray:HEADER:PAYLength <QString> TRIGger:A:BUS:B<x>:FLEXray:HEADER:PAYLength?
<b>Arguments</b>	<QString> is the length of the payload portion of the Binary header string.
<b>Examples</b>	TRIGGER:A:BUS:B1:FLEXRAY:HEADER:PAYLENGTH "1100101" sets the FLEXRAY header paylength to 1100101.

TRIGGER:A:BUS:B1:FLEXRAY:HEADER:PAYLENGTH? might return  
 TRIGGER:A:BUS:B1:FLEXRAY:HEADER:PAYLENGTH "XXXXXXX" indicating  
 the FLEXRAY header paylength is don't care.

## TRIGger:A:BUS:B<x>:I2C:ADDRess:MODE

Sets or returns the I<sup>2</sup>C address mode to 7 or 10-bit. Applies to bus <x>, where x is the bus number.

**Conditions** This command requires a DPO4EMBD application module.

**Group** Trigger

**Syntax** TRIGger:A:BUS:B<x>:I2C:ADDRess:MODE {ADDR7|ADDR10}  
 TRIGger:A:BUS:B<x>:I2C:ADDRess:MODE?

**Arguments** ADDR7 specifies the 7-bit I<sup>2</sup>C address mode.  
 ADDR10 specifies the 10-bit I<sup>2</sup>C address mode.

**Examples** TRIGGER:A:BUS:B1:I2C:ADDRESS:MODE ADDR10 sets the I<sup>2</sup>C address mode to 10-bit.

## TRIGger:A:BUS:B<x>:I2C:ADDRess:TYPE

Sets or returns the I<sup>2</sup>C address type. The only supported address type is USER. Applies to bus <x>, where x is the bus number.

**Conditions** This command requires a DPO4EMBD application module.

**Group** Trigger

**Syntax** TRIGger:A:BUS:B<x>:I2C:ADDRess:TYPE  
 {Generalcall|STARTbyte|HSmode|EEPROM|USER}  
 TRIGger:A:BUS:B<x>:I2C:ADDRess:TYPE?

**Arguments** Generalcall specifies a general call address.  
 STARTbyte specifies a start byte address.

HSmode specifies a high-speed mode address.

EEPROM specifies an EEPROM address.

USER specifies a user address.

## TRIGger:A:BUS:B<x>:I2C:ADDRes:VALue

Sets or returns the binary address string used for the I<sup>2</sup>C trigger if the trigger condition is ADDRESS or ADDRANDDATA. Applies to bus <x>, where x is the bus number.

<b>Conditions</b>	This command requires a DPO4EMBD application module.
<b>Group</b>	Trigger
<b>Syntax</b>	TRIGger:A:BUS:B<x>:I2C:ADDRes:VALue <QString> TRIGger:A:BUS:B<x>:I2C:ADDRes:VALue?
<b>Arguments</b>	<QString> is up to 7 or 10-bits depending on the address mode that specifies the address. The only allowed characters in the QString are 0, 1, and X.
<b>Examples</b>	TRIGGER:A:BUS:B1:I2C:ADDRESS:VALUE 1011 sets the I <sup>2</sup> C address value to XXX1011.

## TRIGger:A:BUS:B<x>:I2C:CONDition

Sets or returns the trigger condition for an I<sup>2</sup>C trigger. Applies to bus <x>, where x is the bus number.

<b>Conditions</b>	This command requires a DPO4EMBD application module.
<b>Group</b>	Trigger
<b>Syntax</b>	TRIGger:A:BUS:B<x>:I2C:CONDition {START STOP REPEATstart ACKMISS ADDRESS DATA ADDRANDDATA} TRIGger:A:BUS:B<x>:I2C:CONDition?



- Arguments**
- START specifies a search based on start condition.
  - STOP specifies a search based on stop condition.
  - REPEATstart specifies a search based on repeat of start condition.
  - ACKMISS specifies a search based on missing acknowledgement condition.
  - ADDRESS specifies a search based on address.
  - DATA specifies a search based on data.
  - ADDRANDDATA specifies a search based on address and data.

**Examples** TRIGGER:A:BUS:B1:I2C:CONDITION START specifies start as the I2C trigger condition.

## TRIGger:A:BUS:B<x>:I2C:DATA:DIRection

Sets or returns the I2C trigger type to be valid on a Read, Write, or Either condition. Read or write is indicated by the R/W bit in the I2C protocol. Applies to bus <x>, where x is the bus number.

**Conditions** This command requires a DPO4EMBD application module.

**Group** Trigger

**Syntax** TRIGger:A:BUS:B<x>:I2C:DATA:DIRection {READ|WRITE|NOCARE}  
TRIGger:A:BUS:B<x>:I2C:DATA:DIRection?

**Arguments**

- READ specifies read as the data direction.
- WRITE specifies write as the data direction.
- NOCARE specifies either as the data direction.

**Examples** TRIGGER:A:BUS:B1:I2C:DATA:DIRECTION WRITE specifies write as the I2C data direction.

## TRIGger:A:BUS:B<x>:I2C:DATA:SIZE

Sets or returns the length of the data string in bytes to be used for an I2C trigger if the trigger condition is DATA or ADDRANDDATA. Applies to bus <x>, where x is the bus number.

<b>Conditions</b>	This command requires a DPO4EMBD application module.
<b>Group</b>	Trigger
<b>Syntax</b>	TRIGger:A:BUS:B<x>:I2C:DATA:SIZE <NR1> TRIGger:A:BUS:B<x>:I2C:DATA:SIZE?
<b>Arguments</b>	<NR1> is the length of the data string in bytes.

## TRIGger:A:BUS:B<x>:I2C:DATA:VALue

Sets or returns the binary data string used for I2C triggering if the trigger condition is DATA or ADDRANDDATA. Applies to bus <x>, where x is the bus number.

<b>Conditions</b>	This command requires a DPO4EMBD application module.
<b>Group</b>	Trigger
<b>Syntax</b>	TRIGger:A:BUS:B<x>:I2C:DATA:VALue <QString> TRIGger:A:BUS:B<x>:I2C:DATA:VALue?
<b>Arguments</b>	<QString> is the binary data string, where the number of bits is 8 times the number of bytes specified. The only allowed characters in the string are 0, 1, and X.

## TRIGger:A:BUS:B<x>:LIN:CONDition

Sets or returns the trigger condition for LIN.

<b>Group</b>	Trigger
<b>Syntax</b>	TRIGger:A:BUS:B<x>:LIN:CONDition {SYNCFieLd IDentifier DATA IDANDDATA WAKEup SLEEP ERROR} TRIGger:A:BUS:B<x>:LIN:CONDition?
<b>Arguments</b>	SYNCFieLd sets the LIN trigger condition to sync field. IDentifier sets the LIN trigger condition to identifier.

DATA sets the LIN trigger condition to data.

IDANDDATA sets the LIN trigger condition to id and data.

WAKEup sets the LIN trigger condition to wake up.

SLEEP sets the LIN trigger condition to sleep.

ERROR sets the LIN trigger condition to error.

**Examples** TRIGGER:A:BUS:B1:LIN:CONDITION ERROR sets the LIN trigger condition to error.

TRIGGER:A:BUS:B1:LIN:CONDITION? might return  
TRIGGER:A:BUS:B1:LIN:CONDITION SYNCFIELD indicating the LIN trigger condition is sync field.

## TRIGger:A:BUS:B<x>:LIN:DATA:HIVALue

Sets or returns the binary data string to be used for LIN trigger if trigger condition is ID or IDANDDATA.

**Group** Trigger

**Syntax** TRIGger:A:BUS:B<x>:LIN:DATA:HIVALue <QString>  
TRIGger:A:BUS:B<x>:LIN:DATA:HIVALue?

**Arguments** <QString> is a quoted string that is the binary data string used for LIN trigger if the trigger condition is ID or IDANDDATA.

**Examples** TRIGGER:A:BUS:B1:LIN:DATA:HIVALUE "11001010" sets the high value to 11001010.

TRIGGER:A:BUS:B1:LIN:DATA:HIVALUE? might return  
TRIGGER:A:BUS:B1:LIN:DATA:HIVALUE "XXXXXXXX" indicating the high value is don't care.

## TRIGger:A:BUS:B<x>:LIN:DATA:QUALifier

Sets or returns the LIN data qualifier. This only applies if the trigger condition is IDANDDATA or DATA.

**Group** Trigger

**Syntax** TRIGger:A:BUS:B<x>:LIN:DATA:QUALifier  
 {LESSThan|MOREThan|EQUa1|UNEQUa1|LESSEQUa1|MOREEQUa1|  
 INrange|OUTrange}  
 TRIGger:A:BUS:B<x>:LIN:DATA:QUALifier?

**Arguments** LESSThan sets the LIN data qualifier to less than.  
 MOREThan sets the LIN data qualifier to greater than.  
 EQUa1 sets the LIN data qualifier to equal.  
 UNEQUa1 sets the LIN data qualifier to not equal.  
 LESSEQUa1 sets the LIN data qualifier to less than or equal.  
 MOREEQUa1 sets the LIN data qualifier to greater than or equal.  
 INrange sets the LIN data qualifier to in range.  
 OUTrange sets the LIN data qualifier to out of range.

**Examples** TRIGGER:A:BUS:B1:LIN:DATA:QUALIFIER OUTRANGE sets the data qualifier to out of range.  
 TRIGGER:A:BUS:B1:LIN:DATA:QUALIFIER? might return  
 TRIGGER:A:BUS:B1:LIN:DATA:QUALIFIER EQUAL indicating the data qualifier is set to equal.

## TRIGger:A:BUS:B<x>:LIN:DATA:SIZE

Sets or returns the length of the data string in bytes to be used for LIN trigger.

**Group** Trigger

**Syntax** TRIGger:A:BUS:B<x>:LIN:DATA:SIZE <NR1>  
 TRIGger:A:BUS:B<x>:LIN:DATA:SIZE?

**Arguments** <NR1> is the size of the data string in bytes.

**Examples** TRIGGER:A:BUS:B1:LIN:DATA:SIZE 8 sets the data size to 8 bytes.  
 TRIGGER:A:BUS:B1:LIN:DATA:SIZE? might return  
 TRIGGER:A:BUS:B1:LIN:DATA:SIZE 1 indicating the data size is 1 byte.

## TRIGger:A:BUS:B<x>:LIN:DATA:VALue

Sets or returns the binary data string to be used for LIN trigger condition if trigger condition is ID or IDANDDATA.

<b>Group</b>	Trigger
<b>Syntax</b>	TRIGger:A:BUS:B<x>:LIN:DATA:VALue <QString> TRIGger:A:BUS:B<x>:LIN:DATA:VALue?
<b>Arguments</b>	<QString> is a quoted string that is the LIN trigger data value.
<b>Examples</b>	TRIGGER:A:BUS:B1:LIN:DATA:VALUE "11001101" sets the data value to 11001101.  TRIGGER:A:BUS:B1:LIN:DATA:VALUE? might return TRIGGER:A:BUS:B1:LIN:DATA:VALUE "XXXXXXXX" indicating the data value is don't care.

## TRIGger:A:BUS:B<x>:LIN:ERRTYPE

Sets or returns the error type be used for LIN trigger.

<b>Group</b>	Trigger
<b>Syntax</b>	TRIGger:A:BUS:B<x>:LIN:ERRTYPE {SYNC PARity Checksum HEADertime RESPtime FRAMetime} TRIGger:A:BUS:B<x>:LIN:ERRTYPE?
<b>Arguments</b>	SYNC sets the LIN error type to SYNC.  PARity sets the LIN error type to parity.  Checksum sets the LIN error type to checksum.  HEADertime sets the LIN error type to header time.  RESPtime sets the LIN error type to response time.  FRAMetime sets the LIN error type to frame time.
<b>Examples</b>	TRIGGER:A:BUS:B1:LIN:ERRTYPE CHECKSUM sets the LIN error type to checksum.

TRIGGER:A:BUS:B1:LIN:ERRTYPE? might return  
TRIGGER:A:BUS:B1:LIN:ERRTYPE SYNC indicating the LIN error type  
is SYNC.

## TRIGger:A:BUS:B<x>:LIN:IDentifier:VALue

Sets or returns the binary address string used for LIN trigger if the trigger condition is ID or IDANDDATA.

**Group** Trigger

**Syntax** TRIGger:A:BUS:B<x>:LIN:IDentifier:VALue <QString>  
TRIGger:A:BUS:B<x>:LIN:IDentifier:VALue?

**Arguments** <QString> is the binary address string used for LIN trigger if the trigger condition is ID or IDANDDATA.

**Examples** TRIGGER:A:BUS:B1:LIN:IDENTIFIER:VALUE "110010" sets the identifier value to 110010.

TRIGGER:A:BUS:B1:LIN:IDENTIFIER:VALUE? might return  
TRIGGER:A:BUS:B1:LIN:IDENTIFIER:VALUE "XXXXXX" indicating the identifier value is XXXXXX.

## TRIGger:A:BUS:B<x>:PARAllel:VALue

Sets or returns the binary data string to be used for a Parallel trigger. Applies to bus <x>, where x is the bus number.

**Group** Trigger

**Syntax** TRIGger:A:BUS:B<x>:PARAllel:VALue <QString>  
TRIGger:A:BUS:B<x>:PARAllel:VALue?

**Arguments** <QString> is the binary data string.

## TRIGger:A:BUS:B<x>:RS232C:CONDition

Sets or returns the condition for an RS-232C trigger, where x is the bus number.

<b>Conditions</b>	This command requires a DPO4COMP application module.
<b>Group</b>	Trigger
<b>Syntax</b>	TRIGger:A:BUS:B<x>:RS232C:CONDition {RXSTart RXDATA RXENDPacket TXSTart TXDATA TXENDPacket} TRIGger:A:BUS:B<x>:RS232C:CONDition?
<b>Arguments</b>	RXSTart specifies a search based on the RX Start Bit. RXDATA specifies a search based on RX Data. RXENDPacket specifies a search based on the RX End of Packet condition. TXSTart specifies a search base on the TX Start Bit. TXDATA specifies a search based on TX Data. TXENDPacket specifies a search based on the TX End of Packet condition.

### TRIGger:A:BUS:B<x>:RS232C:RX:DATA:SIZE

Sets or returns the length of the data string in Bytes for an RS-232 Trigger if the trigger condition is RXDATA. Applies to bus <x>, where x is the bus number.

<b>Conditions</b>	This command requires a DPO4COMP application module.
<b>Group</b>	Trigger
<b>Syntax</b>	TRIGger:A:BUS:B<x>:RS232C:RX:DATA:SIZE <NR1> TRIGger:A:BUS:B<x>:RS232C:RX:DATA:SIZE?
<b>Arguments</b>	<NR1> is the length of the data string in bytes.

### TRIGger:A:BUS:B<x>:RS232C:RX:DATA:VALue

Sets or returns the binary data string for an RS-232 trigger if the trigger condition involves RX. Applies to bus <x>, where x is the bus number.

<b>Conditions</b>	This command requires a DPO4COMP application module.
-------------------	--

**Group** Trigger

**Syntax** TRIGger:A:BUS:B<x>:RS232C:RX:DATA:VALue  
TRIGger:A:BUS:B<x>:RS232C:RX:DATA:VALue?

**Arguments** <Qstring> is the binary data string to be used for the trigger.

## TRIGger:A:BUS:B<x>:RS232C:TX:DATA:SIZE

Sets or returns the length of the data string for an RS-232 trigger if the trigger condition is TXDATA. Applies to bus <x>, where x is the bus number.

**Conditions** This command requires a DPO4COMP application module.

**Group** Trigger

**Syntax** TRIGger:A:BUS:B<x>:RS232C:TX:DATA:SIZE <NR1>  
TRIGger:A:BUS:B<x>:RS232C:TX:DATA:SIZE?

**Arguments** <NR1> is the length of the data string in Bytes.

## TRIGger:A:BUS:B<x>:RS232C:TX:DATA:VALue

Sets or returns the binary data string for an RS-232 trigger if the condition involves TX. Applies to bus <x>, where x is the bus number.

**Conditions** This command requires a DPO4COMP application module.

**Group** Trigger

**Syntax** TRIGger:A:BUS:B<x>:RS232C:TX:DATA:VALue  
TRIGger:A:BUS:B<x>:RS232C:TX:DATA:VALue?

**Arguments** <Qstring> is the binary data string to be used for the trigger.



## TRIGger:A:BUS:B<x>:SPI:CONDition

Sets or returns the trigger condition for a SPI trigger. Applies to bus <x>, where x is the bus number.

**Conditions** This command requires a DPO4EMBD application module.

**Group** Trigger

**Syntax** TRIGger:A:BUS:B<x>:SPI:CONDition  
{SS|STARTofframe|MISO|MOSI|MISOMOSI}  
TRIGger:A:BUS:B<x>:SPI:CONDition?

**Related Commands** [BUS:B<x>:SPI:IDLETime](#), [BUS:B<x>:SPI:FRAMING](#)

**Arguments** SS specifies the Slave Selection condition.

STARTofframe is applicable when BUS:B<x>:SPI:FRAMING is set to IDLEtime. When the trigger condition is set to STARTofframe, the instrument triggers on the first SPI clock after an idle time when there are no clocks.

MISO specifies the Master-In Slave-Out condition.

MOSI specifies the Master-Out Slave-In condition.

MISOMOSI specifies the Master-In Slave-Out and Master-Out Slave-In conditions.

## TRIGger:A:BUS:B<x>:SPI:DATA{:IN|MISO}:VALue

Sets or returns the binary data string to be used for a SPI trigger if the trigger condition is MISO or MISOMOSI. Applies to bus <x>, where x is the bus number.

**Conditions** This command requires a DPO4EMBD application module.

**Group** Trigger

**Syntax** TRIGger:A:BUS:B<x>:SPI:DATA{:IN|MISO}:VALue <QString>  
TRIGger:A:BUS:B<x>:SPI:DATA{:IN|MISO}:VALue?

**Arguments** <QString> is the binary data string, where the number of bits is 8 times the number of bytes specified. The only allowed characters in the string are 0, 1, and X.

## TRIGger:A:BUS:B<x>:SPI:DATA{:OUT|:MOSI}:VALue

Sets or returns the binary data string to be used for a SPI trigger if the trigger condition is MOSI or MISOMOSI. Applies to bus <x>, where x is the bus number.

<b>Conditions</b>	This command requires a DPO4EMBD application module.
<b>Group</b>	Trigger
<b>Syntax</b>	TRIGger:A:BUS:B<x>:SPI:DATA{:OUT :MOSI}:VALue <QString> TRIGger:A:BUS:B<x>:SPI:DATA{:OUT :MOSI}:VALue?
<b>Arguments</b>	<QString> is the binary data string with the number of bits specified by the <a href="#">TRIGger:A:BUS:B&lt;x&gt;:SPI:DATA:SIZE</a> command. The only allowed characters in the QString are 0, 1, and X.

## TRIGger:A:BUS:B<x>:SPI:DATA:SIZE

Sets or returns the length of the data string to be used for a SPI trigger if the trigger condition is MISO, MOSI, or MISOMOSI. Applies to bus <x>, where x is the bus number.

<b>Conditions</b>	This command requires a DPO4EMBD application module.
<b>Group</b>	Trigger
<b>Syntax</b>	TRIGger:A:BUS:B<x>:SPI:DATA:SIZE <NR1> TRIGger:A:BUS:B<x>:SPI:DATA:SIZE?
<b>Arguments</b>	<NR1> is the length of the data string in bytes.

## TRIGger:A:BUS:SOUrce

Sets or returns the source for a Serial bus trigger.

<b>Conditions</b>	This command requires a DPO4AUTO or DPO4EMBD application module.
<b>Group</b>	Trigger

**Syntax** TRIGger:A:BUS:SOURce {B1|B2|B3|B4}  
TRIGger:A:BUS:SOURce?

**Arguments** B1 specifies the Bus 1 source.  
B2 specifies the Bus 2 source.  
B3 specifies the Bus 3 source.  
B4 specifies the Bus 4 source.

## TRIGger:A:EDGE? (Query Only)

Returns the trigger source, coupling, and slope for the A edge trigger.

**Group** Trigger

**Syntax** TRIGger:A:EDGE?

**Related Commands** [TRIGger:A:PULse?](#), [TRIGger:A:LOGic?](#)

**Examples** TRIGGER:A:EDGE? might return :TRIGGER:A:EDGE:SOURCE CH1;COUPLING DC; SLOPE RISE indicating the trigger source, coupling, and slope for the A edge trigger.

## TRIGger:A:EDGE:COUPLing

Sets or returns the type of coupling for the A edge trigger.

**Group** Trigger

**Syntax** TRIGger:A:EDGE:COUPLing {DC|HFRej|LFRej|NOISerej}  
TRIGger:A:EDGE:COUPLing?

**Related Commands** [TRIGger:A:EDGE:SOURce](#), [TRIGger:A:EDGE:SLOpe](#)

**Arguments** DC specifies DC trigger coupling, which passes all input signals to the trigger circuitry.  
HFRej specifies high-frequency rejection coupling, which attenuates signals above 50 kHz before passing the signals to the trigger circuitry.

LFRej specifies low-frequency rejection coupling, which attenuates signals below 50 kHz before passing the signals to the trigger circuitry.

NOISErej specifies noise-rejection coupling, which provides stable triggering by increasing the trigger hysteresis. Increased hysteresis reduces the trigger sensitivity to noise but may require greater trigger signal amplitude.

**Examples** TRIGGER:A:EDGE:COUPLING DC sets the A edge trigger coupling to DC.

TRIGGER:A:EDGE:COUPLING? might return :TRIGGER:A:EDGE:COUPLING DC indicating that the A edge trigger coupling is set to DC.

## TRIGger:A:EDGE:SLOpe

Sets or returns the slope for the A edge trigger.

**Group** Trigger

**Syntax** TRIGger:A:EDGE:SLOpe {RISe|FALL}  
TRIGger:A:EDGE:SLOpe?

**Related Commands** [TRIGger:A:EDGE:SOUrce](#), [TRIGger:A:EDGE:COUPling](#)

**Arguments** RISe specifies to trigger on the rising or positive edge of a signal.

FALL specifies to trigger on the falling or negative edge of a signal.

**Examples** TRIGGER:A:EDGE:SLOPE RISE sets the A edge trigger slope to positive, which triggers on the rising edge of the signal.

TRIGGER:A:EDGE:SLOPE? might return :TRIGGER:A:EDGE:SLOPE FALL indicating that the A edge trigger slope is negative.

## TRIGger:A:EDGE:SOUrce

Sets or returns the source for the A edge trigger.

**Group** Trigger

**Syntax** TRIGger:A:EDGE:SOUrce {CH1|CH2|CH3|CH4|  
D0|D1|D2|D3|D4|D5|D6|D7|D8|D9|D10|D11|D12|D13|D14|D15|  
EXT|LINE|AUX}

TRIGger:A:EDGE:SOURce?

**Related Commands** [TRIGger:A:EDGE:SLOpe](#), [TRIGger:A:EDGE:COUPLing](#)

**Arguments** CH1–CH4 specifies an analog input channel as the A edge trigger source.  
 D0–D15 specifies a digital channel as the source (MSO models only).  
 EXT specifies an external trigger using the Aux In connector located on the front panel of the oscilloscope.  
 LINE specifies the AC line as the trigger source.  
 AUX specifies the Auxiliary Input as the trigger source (if available on your oscilloscope).

**Examples** TRIGGER:A:EDGE:SOURCE CH1 sets channel 1 as the A edge trigger source.  
 TRIGGER:A:EDGE:SOURCE? might return :TRIGGER:A:EDGE:SOURCE CH1 indicating that channel 1 is the A edge trigger source.

## TRIGger:A:HOLDoff? (Query Only)

Returns the A trigger holdoff parameters. These parameters specify the time period during which the trigger circuitry is not looking to generate a trigger event.

**Group** Trigger

**Syntax** TRIGger:A:HOLDoff?

**Related Commands** [TRIGger:A:HOLDoff:TIME](#)

**Examples** TRIGGER:A:HOLDOFF? might return :TRIGGER:A:HOLDOFF:TIME 900.0000E-09;BY DEFAULT indicating that the A edge trigger holdoff time (by default) is 900 ns.

## TRIGger:A:HOLDoff:TIME

Sets or returns the A trigger holdoff time.

**Group** Trigger

**Syntax** TRIGger:A:HOLDOFF:TIME <NR3>  
TRIGger:A:HOLDOFF:TIME?

**Arguments** <NR3> specifies the holdoff time in seconds. The range is from 20 ns through 8.0 s.

**Examples** TRIGGER:A:HOLDOFF:TIME ? might return :TRIGGER:A:HOLDOFFTIME  
1.2000E-06 indicating that the A trigger holdoff time is set to 1.2  $\mu$ s.

TRIGGER:A:HOLDOFF:TIME 10 sets the A trigger holdoff time to 10 s.

## TRIGger:A:LEVel

Sets or returns the trigger level for the A trigger.

**Group** Trigger

**Syntax** TRIGger:A:LEVel {ECL|TTL|<NR3>}  
TRIGger:A:LEVel?

**Arguments** ECL specifies a preset ECL high level of -1.3V.  
TTL specifies a preset TTL high level of 1.4V.  
<NR3> specifies the trigger level in user units (usually volts).

**Examples** TRIGGER:A:LEVEL? might return :TRIGGER:A:LEVel 1.3000E+00  
indicating that the A edge trigger is set to 1.3 V.

TRIGGER:A:LEVEL TTL sets the A edge trigger to TTL high level, which is 1.4 V.

## TRIGger:A:LEVel:AUXin

Sets or returns the trigger level for the AUXIN port.

**Group** Trigger

**Syntax** TRIGger:A:LEVel:AUXin {<NR3>|ECL|TTL}  
TRIGger:A:LEVel:AUXin?

- Arguments** <NR3> specifies the trigger level, in volts.  
 ECL specifies a preset ECL trigger level of -1.3V.  
 TTL specifies a preset TTL trigger level of 1.4V.
- Examples** TRIGGER:A:LEVEL:AUXIN ECL sets the auxiliary input trigger level to -1.3 volts.  
 TRIGGER:A:LEVEL:AUXIN? might return TRIGGER:A:LEVEL:AUXIN 0.0E+0 indicating the auxiliary input trigger level is 0.0 volts.

## TRIGger:A:LEVel:CH<x>

Sets or returns the trigger level for the specified channel. Each channel can have an independent level.

**Group** Trigger

**Syntax** TRIGger:A:LEVel:CH<x> {<NR3>|TTL|ECL}  
 TRIGger:A:LEVel:CH<x>?

- Arguments** <NR3> specifies the trigger level in user units (usually volts).  
 TTL specifies a preset TTL high level of 1.4V.  
 ECL specifies a preset ECL high level of -1.3V.

- Examples** TRIGGER:A:LEVEL:CH2? might return :TRIGGER:A:LEVEL:CH2 1.3000E+00 indicating that the A edge trigger is set to 1.3 V for channel 2.  
 TRIGGER:A:LEVEL:CH3 TTL sets the A edge trigger to TTL high level for channel 3.

## TRIGger:A:LEVel:D<x>

Sets or returns the trigger level for the specified digital channel <x>, where x is the channel number. Each digital channel can have an independent level.

**Group** Trigger

**Syntax** TRIGger:A:LEVel:D<x> {<NR3>|ECL|TTL}  
 TRIGger:A:LEVel:D<x>?

**Arguments** ECL specifies a preset ECL high level of -1.3V.  
TTL specifies a preset TTL high level of 1.4V.  
<NR3> specifies the trigger level in volts.

## TRIGger:A:LOGIc? (Query Only)

Returns all of the A logic trigger parameters.

**Group** Trigger

**Syntax** TRIGger:A:LOGIc?

**Related Commands** [TRIGger:A:LOGIc:CLAss](#)

**Examples** TRIGGER:A:LOGIC? might return :TRIGGER:A:LOGIC:CLASS  
SETHOLD;FUNCTION AND;THRESHOLD:CH1 20.0000E-3;CH2 0.0000;  
CH3 0.0000;CH4 0.0000;:TRIGGER:A:LOGIC:INPUT:CH1  
X;CH2 X;CH3 X;CH4 X;CLOCK:SOURCE NONE;EDGE  
RISE;:TRIGGER:A:LOGIC:PATTERN:INPUT:CH1 X;CH2 X;CH3  
X;CH4 X;:TRIGGER :A:LOGIC:PATTERN:WHEN TRUE;WHEN:LESSLIMIT  
4.0000E-9;LIMIT 4.0000E-9;:TRIGGER:A:LOGIC:PATTERN:DELTATIME  
4.0000E-9

## TRIGger:A:LOGIc:CLAss

Sets or returns the class of the Logic Trigger. This command is used in conjunction with the [TRIGger:A:TYPe](#) command.

**Group** Trigger

**Syntax** TRIGger:A:LOGIc:CLAss {LOGIC|SETHoId}  
TRIGger:A:LOGIc:CLAss?

**Related Commands** [TRIGger:A:TYPe](#), [TRIGger:A:PULse:CLAss](#)

**Arguments** LOGIC sets the oscilloscope to trigger on logical combinations of the channels.  
When the [TRIGger:A:LOGIc:INPut:CLOCK:SOURce](#) is NONE, LOGIC sets the oscilloscope to trigger when the specified logical combinations of channels 1, 2,



3, and 4 are met on four-channel oscilloscopes. On two-channel oscilloscopes, only channel 1 and channel 2 are available.

When the [TRIGger:A:LOGic:INPut:CLOCK:SOUrce](#) is set to one of the channels, LOGIC sets the oscilloscope to trigger when the specified logical combinations of the remaining channels is true during a transition on the clock channel.

SETHo1d sets the oscilloscope to trigger on setup and hold violations between a data source and a clock source. Use one channel input as the clock signal and a second channel input as the data input. The clocking and data levels are used to determine if a clock or data transition has occurred.

**Examples** TRIGGER:A:LOGIC:CLASS? might return :TRIGGER:A:LOGIC:CLASS LOGIC  
TRIGGER:A:LOGIC:CLASS LOGIC sets the trigger A logic class to LOGIC, which causes the oscilloscope to trigger when the specified logical combinations of channels 1, 2, 3, and 4 are met.

## TRIGger:A:LOGic:FUNCTion

Sets or returns the logical combination of the input channels for the A pattern and A state logic triggers.

**Group** Trigger

**Syntax** TRIGger:A:LOGic:FUNCTion {AND|NAND|NOR|OR}  
TRIGger:A:LOGic:FUNCTion?

**Related Commands** [TRIGger:A:LOGic:INPut:CH<x>](#)

**Arguments** AND specifies to trigger if all conditions are true.  
NAND specifies to trigger if any of the conditions is false.  
NOR specifies to trigger if all conditions are false.  
OR specifies to trigger if any of the conditions is true.

**Examples** TRIGGER:A:LOGIC:FUNCTION? might return :TRIGGER:A:LOGIC:FUNCTION  
NAND  
which indicates that the oscilloscope will trigger if the AND logic conditions are false.  
TRIGGER:A:LOGIC:FUNCTION AND sets the logical combination of channels to be true when all conditions are true.

## TRIGger:A:LOGIc:INPut? (Query Only)

Returns the logic input values for all channels. If a clock channel is defined, it returns the clock source and edge.

**Group** Trigger

**Syntax** TRIGger:A:LOGIc:INPut?

**Examples** TRIGGER:A:LOGIC:INPUT? might return :TRIGGER:A:LOGIC:INPUT:CH1 HIGH;CH2 X;CH3 X indicating that a logic high is expected on channel 1 while channel 2 and channel three are “don’t care.”

## TRIGger:A:LOGIc:INPut:CH<x>

Sets or returns the logical input condition for the channel specified by <x>.

**Group** Trigger

**Syntax** TRIGger:A:LOGIc:INPut:CH<x> {HIGH|LOW|X}  
TRIGger:A:LOGIc:INPut:CH<x>?

**Arguments** HIGH specifies the logic high.  
LOW specifies the logic low.  
X specifies a "don't care" state.

**Examples** TRIGGER:A:LOGIC:INPUT:CH1? might return :TRIGGER:LOGIC:INPUT:CH1 X indicating that the setting for the A logic trigger input to channel 1 does not matter.  
TRIGGER:A:LOGIC:INPUT:CH2 HIGH sets the A logic trigger input to logic HIGH for channel 2.

## TRIGger:A:LOGIc:INPut:CLOCK:EDGE

Sets the polarity of the clock channel.

**Group** Trigger

**Syntax** TRIGger:A:LOGIC:INPut:CLOCK:EDGE {FALL|RISe}  
TRIGger:A:LOGIC:INPut:CLOCK:EDGE?

**Arguments** RISe specifies to trigger on the rising or positive edge of a signal.  
FALL specifies to trigger on the falling or negative edge of a signal.

## TRIGger:A:LOGIC:INPut:CLOCK:SOURce

Sets or returns the channel to use as the clock source. The clock can be selected as NONE. A selection of None implies pattern trigger. Any other selection implies state trigger.

**Group** Trigger

**Syntax** TRIGger:A:LOGIC:INPut:CLOCK:SOURce {CH1|CH2|CH3|CH4|  
D0|D1|D2|D3|D4|D5|D6|D7|D8|D9|D10|D11|D12|D13|D14|D15|NONE}  
TRIGger:A:LOGIC:INPut:CLOCK:SOURce?

**Arguments** CH1–CH4 specifies the analog input channel source.  
D0–D15 specifies the digital input channel source.  
NONE specifies a Pattern trigger.

## TRIGger:A:LOGIC:INPut:D<x>

Sets or returns the logic pattern for a trigger on digital channel <x>, where x is the channel number.

**Group** Trigger

**Syntax** TRIGger:A:LOGIC:INPut:D<x> {HIGH|LOW|X}  
TRIGger:A:LOGIC:INPut:D<x>?

**Arguments** High specifies the logic high state.  
Low specifies the logic low state.  
X specifies a "don't care" state.

## TRIGger:A:LOGIc:PATtern? (Query Only)

Returns the conditions used for generating an A logic pattern trigger, with respect to the defined input pattern, and identifies the time that the selected pattern may be true and still generate the trigger.

<b>Group</b>	Trigger
<b>Syntax</b>	TRIGger:A:LOGIc:PATtern?
<b>Examples</b>	TRIGGER:A:LOGIC:PATTERN? might return :TRIGGER:A:LOGIC:PATTERN:INPUT:CH1 HIGH;CH2 LOW;CH3 X;CH4 X;:TRIGGER:A:LOGIC:PATTERN:WHEN LESSTHAN;WHEN:LESSLIMIT 16.0000E-9;LIMIT 16.0000E-9;:TRIGGER:A:LOGIC:PATTERN:DELTATIME 16.0000E-9

## TRIGger:A:LOGIc:PATtern:DELTatime

Sets or returns the pattern trigger delta time value. The time value is used as part of the pattern trigger condition to determine if the duration of a logic pattern meets the specified time constraints.

<b>Group</b>	Trigger
<b>Syntax</b>	TRIGger:A:LOGIc:PATtern:DELTatime <NR3> TRIGger:A:LOGIc:PATtern:DELTatime?
<b>Arguments</b>	<NR3> is a floating point value with exponent that sets the pattern trigger time value. This argument has a range of 39.6E-9 (39.6 ns) to 10.0E0 (10 s), in increments of 13.2 ns. Values that are not an increment of 13.2 ns are rounded to the nearest correct value.
<b>Examples</b>	TRIGGER:A:LOGIC:PATTERN:DELTATIME 71.28E-8 sets the pattern trigger delta time value to 712.8 ns.

## TRIGger:A:LOGIc:PATtern:INPut:D<x>

Sets or returns the A logic trigger input for the specified digital channel <x>, where x is the channel number. This command species the logic value used when the pattern trigger detects the threshold level.

<b>Group</b>	Trigger
<b>Syntax</b>	TRIGger:A:LOGIC:PATtern:INPut:D<x> {HIGH LOW X} TRIGger:A:LOGIC:PATtern:INPut:D<x>?
<b>Arguments</b>	HIGH specifies a logic high. LOW specifies a logic low. X specifies a “do not care” state.

## TRIGger:A:LOGIC:PATtern:WHEN

Sets or returns the pattern logic condition on which to trigger the oscilloscope.

<b>Group</b>	Trigger
<b>Syntax</b>	TRIGger:A:LOGIC:PATtern:WHEN {TRUE FALSE LESSThan MOREThan EQUAL UNEQUAL} TRIGger:A:LOGIC:PATtern:WHEN?
<b>Arguments</b>	TRUE triggers the oscilloscope when the pattern becomes true. FALSE triggers the oscilloscope when the pattern becomes false. LESSTHAN triggers the oscilloscope when the input pattern is true for a time period less than the time period specified in TRIGGER:A:LOGIC:PATTERN:DELTATIME. MORETHAN triggers the oscilloscope when the input pattern is true for a time period more (greater) than the time period specified in TRIGGER:A:LOGIC:PATTERN:DELTATIME. EQUAL triggers the oscilloscope when the input pattern is true for a time period equal to the time period specified in TRIGGER:A:LOGIC:PATTERN:DELTATIME, within a $\pm 5\%$ tolerance. UNEQUAL triggers the oscilloscope when the input pattern is true for a time period greater than or less than (not equal to) the time period specified in TRIGGER:A:LOGIC:PATTERN:DELTATIME, within a $\pm 5\%$ tolerance.
<b>Examples</b>	TRIGGER:A:LOGIC:PATTERN:WHEN LESSTHAN sets the oscilloscope to trigger when the pattern is true for a time period less than the pattern trigger delta time setting.

## TRIGger:A:LOGIc:PATtern:WHEn:LESSLimit

Sets or returns the maximum time that the selected pattern may be true and still generate an A logic pattern trigger.

**Group** Trigger

**Syntax** TRIGger:A:LOGIc:PATtern:WHEn:LESSLimit <NR3>  
TRIGger:A:LOGIc:PATtern:WHEn:LESSLimit?

**Arguments** <NR3> specifies the maximum amount of time to hold the pattern true.

**Examples** TRIGGER:A:LOGIC:PATTERN:WHEN:LESSLIMIT 10.0E+00 sets the maximum time that the selected pattern may hold true (and generate an A logic pattern trigger) to 10 s.

TRIGGER:A:LOGIC:PATTERN:WHEN:LESSLIMIT? might return  
TRIGGER:A:LOGIC:PATTERN:WHEN:LESSLIMIT 8.0000E-9 indicating that the selected pattern may hold true for up to 8 ns and still generate an A logic pattern trigger.

## TRIGger:A:LOGIc:PATtern:WHEn:MORELimit

Sets or returns the minimum time that the selected pattern may be true and still generate an A logic pattern trigger.

**Group** Trigger

**Syntax** TRIGger:A:LOGIc:PATtern:WHEn:MORELimit <NR3>  
TRIGger:A:LOGIc:PATtern:WHEn:MORELimit?

**Arguments** <NR3> specifies the minimum amount of time to hold the pattern true.

**Examples** TRIGGER:A:LOGIC:PATTERN:WHEN:MORELIMIT 10.0E+00 sets the minimum time that the selected pattern may hold true (and generate an A logic pattern trigger) to 10 s.

TRIGGER:A:LOGIC:PATTERN:WHEN:MORELIMIT? might return  
TRIGGER:A:LOGIC:PATTERN:WHEN:MORELIMIT 8.0000E-9 indicating that the selected pattern must hold true for at least 8 ns to generate an A logic pattern trigger.

## TRIGger:A:LOGic:THReshold:CH<x>

This command sets or queries the trigger A logic threshold voltage for the specified channel x.

**Group** Trigger

**Syntax** TRIGger:A:LOGIC:THResho]d:CH<x> {<NR3>|ECL|TTL}  
TRIGger:A:LOGIC:THResho]d:CH<x>?

**Arguments** <NR3> specifies the threshold voltage, in volts.  
ECL specifies a preset ECL high level of -1.3V.  
TTL specifies a preset TTL high level of 1.4V.

**Examples** TRIGGER:A:LOGIC:THRESHOLD:CH2 3.0E-3 sets the A logic trigger threshold voltage for Channel 2 to 3 mV.  
TRIGGER:A:LOGIC:THRESHOLD:CH3? might return  
:TRIGGER:A:LOGIC:THRESHOLD:CH3 1.2000E+00, indicating that the A logic trigger threshold voltage for Channel 3 is 1.2 V.

## TRIGger:A:LOGic:THReshold:D<x>

Sets or returns the trigger A logic threshold level for the specified digital channel <x>. This commands affects all trigger types using the digital channel.

**Group** Trigger

**Syntax** TRIGger:A:LOGIC:THResho]d:D<x> {<NR3>|ECL|TTL}  
TRIGger:A:LOGIC:THResho]d:D<x>?

**Related Commands** [TRIGger:A:LEVel:D<x>](#)

**Arguments** <NR3> specifies the threshold level in volts.  
ECL specifies a preset ECL high level of -1.3V.  
TTL specifies a preset TTL high level of 1.4V.

## TRIGger:A:LOWerthreshold:CH<x>

Sets or returns the lower threshold for the channel selected. Each channel can have an independent level. Used in Runt and Slew Rate triggers as the lower threshold. Used for all other trigger types as the single level/threshold.

**Group** Trigger

**Syntax** TRIGger:A:LOWerthreshold:CH<x> {ECL|TTL|<NR3>}  
TRIGger:A:LOWerthreshold:CH<x>?

**Related Commands** [TRIGger:A:LEVel:CH<x>](#)

**Arguments** ECL specifies a preset ECL high level of -1.3V.  
TTL specifies a preset TTL high level of 1.4V.  
<NR3> is the clock level, in volts.

**Examples** TRIGGER:A:LOWERTHRESHOLD:CH2 50E-3 sets the lower limit threshold for CH2 of the pulse runt trigger to 50 mV.  
TRIGGER:A:LOWERTHRESHOLD:CH2? might return :TRIGGER:A:LOWERTHRESHOLD:CH2 1.2000E-01 indicating that the lower limit threshold for CH2 of the pulse runt trigger is set to 120 mV.

## TRIGger:A:LOWerthreshold:D<x>

Sets the lower threshold for the digital channel selected. Each channel can have an independent level. Used in runt and slew rate as the lower threshold. Used for all other trigger types as the single level/threshold.

**Group** Trigger

**Syntax** TRIGger:A:LOWerthreshold:D<x> {<NR3>|ECL|TTL}  
TRIGger:A:LOWerthreshold:D<x>?

**Arguments** <NR3> specifies the threshold voltage, in volts.  
ECL specifies a preset ECL high level of -1.3V.  
TTL specifies a preset TTL high level of 1.4V.



**Examples** TRIGGER:A:LOWERTHRESHOLD:D1 0.5 sets the lower threshold to 0.5 volts.  
 TRIGGER:A:LOWERTHRESHOLD:D1? might return  
 TRIGGER:A:LOWERTHRESHOLD:D1 -1.3000 indicating the lower threshold  
 is set to -1.3 volts.

## TRIGger:A:LOWerthreshold{:EXT|:AUX}

Sets or returns the lower threshold for the Auxiliary Input. Used for the following trigger types: Runt, Slew Rate.

**Group** Trigger

**Syntax** TRIGger:A:LOWerthreshold{:EXT|:AUX} {<NR3>|ECL|TTL}  
 TRIGger:A:LOWerthreshold{:EXT|:AUX}?

**Arguments** ECL specifies a preset ECL high level of -1.3V.  
 TTL specifies a preset TTL high level of 1.4V.  
 <NR3> specifies the threshold level in volts.

## TRIGger:A:MODE

Sets or returns the A trigger mode.

**Group** Trigger

**Syntax** TRIGger:A:MODE {AUTO|NORMa1}  
 TRIGger:A:MODE?

**Related Commands** [TRIGger:A:LEVel](#)

**Arguments** AUTO generates a trigger if one is not detected within a specified time period.  
 NORMa1 waits for a valid trigger event.

**Examples** TRIGGER:A:MODE NORMAL specifies that a valid trigger event must occur before  
 a trigger is generated.  
 TRIGGER:A:MODE ? might return :TRIGGER:A:MODE NORMAL indicating that a  
 valid trigger event must occur before a trigger is generated.

## TRIGger:A:PULse? (Query Only)

Returns the A pulse trigger parameters.

**Group** Trigger

**Syntax** TRIGger:A:PULse?

**Related Commands** [TRIGger:A:EDGE?](#), [TRIGger:A:LOGic?](#)

**Examples** TRIGGER:A:PULSE? might return :TRIGGER:A:PULSE:CLASS TRANSITION

## TRIGger:A:PULse:CLAss

Sets or returns the type of pulse on which to trigger.

**Group** Trigger

**Syntax** TRIGger:A:PULse:CLAss {RUNT|WIDth|TRANSition}  
TRIGger:A:PULse:CLAss?

**Related Commands** [TRIGger:A:RUNT?](#), [TRIGger:A:PULSEWIDth?](#), [TRIGger:A{:TRANSition|RISEFall}?](#), [TRIGger:A:TYPE](#)

**Arguments** RUNT triggers when a pulse crosses the first preset voltage threshold but does not cross the second preset threshold before recrossing the first.

WIDth triggers when a pulse is found that has the specified polarity and is either inside or outside the specified time limits.

TRANSition triggers when a pulse crosses both thresholds in the same direction as the specified polarity and the transition time between the two threshold crossings is greater or less than the specified time delta.

**Examples** TRIGGER:A:PULSE:CLASS WIDTH specifies a width pulse for the A trigger.

TRIGGER:A:PULSE:CLASS? might return :TRIGGER:A:PULSE:CLASS WIDTH indicating that a pulse was found that is of the specified polarity and width.

## TRIGger:A:PULSEWIDTH? (Query Only)

Returns the width parameters for the pulse width trigger.

<b>Group</b>	Trigger
<b>Syntax</b>	TRIGger:A:PULSEWIDTH?
<b>Examples</b>	TRIGGER:A:PULSEWIDTH? might return :TRIGGER:A:PULSEWIDTH:POLARITY POSITIVE;WHEN LESSTHAN;WIDTH 8.0000E-9

## TRIGger:A:PULSEwidth:POLarity

Sets or returns the polarity for the width trigger.

<b>Group</b>	Trigger
<b>Syntax</b>	TRIGger:A:PULSEwidth:POLarity {NEGative POSitive} TRIGger:A:PULSEwidth:POLarity?
<b>Arguments</b>	NEGative specifies a negative pulse. POSitive specifies a positive pulse.
<b>Examples</b>	TRIGGER:A:PULSEWIDTH:POLARITY NEGATIVE sets the pulse polarity to negative. TRIGGER:A:PULSEWIDTH:POLARITY? might return :TRIGGER:A:WIDTH:POLARITY POSITIVE indicating a positive pulse.

## TRIGger:A:PULSEwidth:SOURce

Sets or returns the source for the pulse-width trigger.

<b>Group</b>	Trigger
<b>Syntax</b>	TRIGger:A:PULSEwidth:SOURce {CH1 CH2 CH3 CH4 LINE EXT} TRIGger:A:PULSEwidth:SOURce?

- Arguments** CH1–CH4 specifies an analog input channel as the A edge trigger source.
- EXT specifies an external trigger using the Aux In connector located on the front panel of the oscilloscope.
- LINE specifies AC line voltage.
- Examples** TRIGGER:A:PULSEWIDTH:SOURCE CH1 sets channel 1 as the pulse width source.
- TRIGGER:A:PULSEWIDTH:SOURCE? might return :TRIGGER:A:PULSEWIDTH:SOURCE CH1 indicating that channel 1 is the pulse width source.

## TRIGger:A:PULSEWidth:WHEn

Sets or returns whether to trigger on a pulse that meets, falls outside, or within the specified range of limits.

**Group** Trigger

**Syntax** TRIGger:A:PULSEwidth:WHEn {LESSthan|than|EQua|UNEQua|}  
 TRIGger:A:PULSEwidth:WHEn?

**Related Commands** [TRIGger:A:PULSEWidth:WIDth](#)

- Arguments** LESSthan argument sets the oscilloscope to trigger if a pulse is detected with width less than the time set by the [TRIGger:A:PULSEWidth:WIDth](#) command.
- than argument sets the oscilloscope to trigger if a pulse is detected with width than the time set by the [TRIGger:A:PULSEWidth:WIDth](#) command.
- EQua| argument sets the oscilloscope to trigger if a pulse is detected with width equal to the time period specified in [TRIGger:A:PULSEWidth:WIDth](#) within a  $\pm 5\%$  tolerance.
- NOTEQua| argument sets the oscilloscope to trigger if a pulse is detected with width greater than or less than (but not equal) the time period specified in [TRIGger:A:PULSEWidth:WIDth](#) within a  $\pm 5\%$  tolerance.

- Examples** TRIGGER:A:PULSEWIDTH:WHEN LESSTHAN specifies that the duration of the A pulse will fall within defined high and low limits.
- TRIGGER:A:PULSEWIDTH:WHEN? might return :TRIGGER:A:PULSEWIDTH:WHEN THAN indicating the conditions for generating a width trigger.

## TRIGger:A:PULSEWidth:WIDth

Sets or returns the width setting for the pulse width trigger.

**Group** Trigger

**Syntax** TRIGger:A:PULSEwidth:WIDth <NR3>  
TRIGger:A:PULSEwidth:WIDth?

**Related Commands** [TRIGger:A:PULSEWidth:WHEn](#)

**Arguments** <NR3> specifies the pulse width in seconds.

**Examples** TRIGGER:A:PULSEWIDTH:WIDTH 5.0E-6 sets the pulse width to 5  $\mu$ s.  
TRIGGER:A:PULSEWIDTH:WIDTH? might return :TRIGGER:A:PULSEWIDTH:WIDTH 2.0000E-9 indicating that the pulse width is set to 2 ns.

## TRIGger:A:RUNT? (Query Only)

Returns the current A runt trigger parameters.

**Group** Trigger

**Syntax** TRIGger:A:RUNT?

**Examples** TRIGGER:A:RUNT? might return :TRIGGER:A:RUNT:SOURCE CH1;POLARITY POSITIVE;WHEN OCCURS;WIDTH 4.0000E-9.

## TRIGger:A:RUNT:POLarity

Sets or returns the polarity for the runt trigger.

**Group** Trigger

**Syntax** TRIGger:A:RUNT:POLarity {EITHer|NEGative|POSitive}  
TRIGger:A:RUNT:POLarity?

- Arguments** POSITIVE indicates that the rising edge crosses the low threshold and the falling edge recrosses the low threshold without either edge ever crossing the high threshold.
- NEGATIVE indicates that the falling edge crosses the high threshold and the rising edge recrosses the high threshold without either edge ever crossing the low threshold.
- EITHER triggers on a runt of either polarity.
- Examples** TRIGGER:A:RUNT:POLARITY NEGATIVE specifies that the polarity of the A pulse runt trigger is negative.
- TRIGGER:A:RUNT:POLARITY? might return :TRIGGER:A:RUNT:POLARITY POSITIVE indicating that the polarity of the A pulse runt trigger is positive.

## TRIGger:A:RUNT:SOURce

Sets or returns the source for the A runt trigger.

- Group** Trigger
- Syntax** TRIGger:A:RUNT:SOURce {CH1|CH2|CH3|CH4}  
TRIGger:A:RUNT:SOURce?
- Arguments** CH1-CH4 specifies the input channel number, depending on the model of the oscilloscope.
- Examples** TRIGGER:A:RUNT:SOURCE CH4 sets channel 4 as the source for the A pulse trigger.
- TRIGGER:A:RUNT:SOURCE? might return :TRIGGER:A:RUNT:SOURCE CH2 indicating that channel 2 is the source for the A pulse trigger.

## TRIGger:A:RUNT:WHEn

Sets or returns the type of pulse width the trigger checks for when it detects a runt.

- Group** Trigger
- Syntax** TRIGger:A:RUNT:WHEn {LESSthan|than|EQua1|UNEQua1|OCCURS}  
TRIGger:A:RUNT:WHEn?

**Related Commands** [TRIGger:A:RUNT:WIDTH](#)

**Arguments** OCCURS argument specifies a trigger event if a runt of any detectable width occurs.

LESSthan argument sets the oscilloscope to trigger if the a runt pulse is detected with width less than the time set by the [TRIGger:A:RUNT:WIDTH](#) command.

than argument sets the oscilloscope to trigger if the a runt pulse is detected with width than the time set by the [TRIGger:A:RUNT:WIDTH](#) command.

EQua1 argument sets the oscilloscope to trigger if a runt pulse is detected with width equal to the time period specified in [TRIGger:A:RUNT:WIDTH](#) within a  $\pm 5\%$  tolerance.

NOTEQua1 argument sets the oscilloscope to trigger if a runt pulse is detected with width greater than or less than (but not equal to) the time period specified in [TRIGger:A:RUNT:WIDTH](#) within a  $\pm 5\%$  tolerance.

**Examples** TRIGGER:A:RUNT:WHEN THAN sets the runt trigger to occur when the oscilloscope detects a runt in a pulse wider than the specified width.

TRIGGER:A:RUNT:WHEN? might return :TRIGGER:A:PULSE:RUNT:WHEN OCCURS indicating that a runt trigger will occur if the oscilloscope detects a runt of any detectable width.

## TRIGger:A:RUNT:WIDTH

Sets or returns the width for a runt trigger.

**Group** Trigger

**Syntax** TRIGger:A:RUNT:WIDTH <NR3>  
TRIGger:A:RUNT:WIDTH?

**Related Commands** [TRIGger:A:RUNT:WHEN](#)

**Arguments** <NR3> specifies the minimum width, in seconds.

**Examples** TRIGGER:A:RUNT:WIDTH 15E-6 sets the minimum width of the pulse runt trigger to 15  $\mu$ s.

TRIGGER:A:RUNT:WIDTH? might return :TRIGGER:A:PULSE:RUNT:WIDTH 2.0000E-09 indicating that the minimum width of a pulse runt trigger is 2 ns.

## TRIGger:A:SETHold? (Query Only)

Returns the clock edge polarity, voltage threshold and source input; data voltage threshold and source; and both setup and hold times for setup and hold violation triggering.

**Group** Trigger

**Syntax** TRIGger:A:SETHold?

**Examples** TRIGGER:A:SETHOLD? might return  
:TRIGGER:A:SETHOLD:CLOCK:SOURCE CH1;EDGE RISE;THRESHOLD  
100.0000E-3;:TRIGGER:A:SETHOLD:DATA:SOURCE CH2;THRESHOLD  
80.0000E-3;:TRIGGER:A:SETHOLD:HOLDTIME 20.0000E-9;SETTIME  
8.0000E-9

## TRIGger:A:SETHold:CLOCK? (Query Only)

Returns the clock edge polarity, voltage threshold, and source input for setup and hold triggering.

**Group** Trigger

**Syntax** TRIGger:A:SETHold:CLOCK?

**Examples** TRIGGER:A:SETHOLD:CLOCK? might return  
:TRIGGER:A:SETHOLD:CLOCK:SOURCE EXT;EDGE FALL;THRESHOLD  
1.4000

## TRIGger:A:SETHold:CLOCK:EDGE

Sets or returns the clock edge polarity for setup and hold triggering.

**Group** Trigger

**Syntax** TRIGger:A:SETHold:CLOCK:EDGE {FALL|RISE}  
TRIGger:A:SETHold:CLOCK:EDGE?



**Arguments** FALL specifies polarity as the clock falling edge.  
RISe specifies polarity as the clock rising edge.

**Examples** TRIGGER:A:SETHOLD:CLOCK:EDGE RISE specifies the polarity as the clock rising edge.  
TRIGGER:A:SETHOLD:CLOCK:EDGE? might return :TRIGGER:A:SETHOLD:CLOCK:EDGE RISE indicating that polarity is specified as the clock rising edge.

## TRIGger:A:SETHold:CLOCK:SOURce

Sets or returns the clock source for the setup and hold triggering.

**Group** Trigger

**Syntax** TRIGger:A:SETHold:CLOCK:SOURce  
{CH1|CH2|CH3|CH4|D0|D1|D2|D3|D4|D5|D6|D7|D8|D9|D10|D11|D12|D13|D14|D15}  
TRIGger:A:SETHold:CLOCK:SOURce?

**Related Commands** [TRIGger:A:SETHold:DATA:SOURce](#)

**Arguments** CH1–CH4 or D0–D15 specifies the input channel number. D0–D15 is only for MSO models.  
AUX or EXT specifies an external trigger using the Aux Input connector located on the front panel of the oscilloscope.

**Examples** TRIGGER:A:SETHOLD:CLOCK:SOURCE CH1 specifies channel 1 as the clock input for setup and hold input.  
TRIGGER:A:SETHOLD:CLOCK:SOURCE? might return :TRIGGER:A:SETHOLD:CLOCK:SOURCE CH4 indicating that channel 4 is the clock source for the setup and hold trigger input.

## TRIGger:A:SETHold:CLOCK:THReshold

Sets or returns the clock voltage threshold for the setup and hold trigger.

**Group** Trigger

**Syntax** TRIGGER:A:SETHold:CLOCK:THreshold {<NR3>|TTL}  
TRIGGER:A:SETHold:CLOCK:THreshold?

**Arguments** TTL specifies a preset TTL high level of 1.4 V.  
<NR3> is the clock level, in volts.

**Examples** TRIGGER:A:SETHOLD:CLOCK:THRESHOLD TTL specifies the preset TTL value of 1.4 V as the clock threshold for the setup and hold trigger.

TRIGGER:A:SETHOLD:CLOCK:THRESHOLD? might return  
:TRIGGER:A:LOGIC:SETHOLD:CLOCK:THRESHOLD 1.2000E+00  
indicating that the clock threshold for the setup and hold trigger is 1.2 V.

## TRIGGER:A:SETHold:DATA? (Query Only)

Returns the voltage threshold and data source for the setup and hold trigger.

**Group** Trigger

**Syntax** TRIGGER:A:SETHold:DATA?

**Related Commands** [TRIGGER:A:SETHold:CLOCK?](#)

**Examples** TRIGGER:A:SETHOLD:DATA? might return  
:TRIGGER:A:SETHOLD:DATA:SOURCE CH2;THRESHOLD 80.0000E-3

## TRIGGER:A:SETHold:DATA:SOURCE

Sets or returns the data source for the setup and hold trigger. You cannot specify the same source for both clock and data.

For DPO models, you can specify only a single data source. Data sources for DPO models may be one of CH1-CH4 or the Auxin port (EXT or AUX).

For MSO models, you can specify any combination of CH1-CH4 and D0-D15 as the data sources.

**Group** Trigger

**Syntax** DPO Models:  
 TRIGGER:A:SETHold:DATA:SOURce <wfm>  
 MSO Models:  
 TRIGGER:A:SETHold:DATA:SOURce <wfm> [, <wfm>] [, <wfm>]  
 [, <wfm>] [, <wfm>] [, <wfm>] [, <wfm>] [, <wfm>] [, <wfm>]  
 [, <wfm>] [, <wfm>] [, <wfm>] [, <wfm>] [, <wfm>] [, <wfm>]  
 [, <wfm>] [, <wfm>] [, <wfm>]  
 TRIGGER:A:SETHold:DATA:SOURce?

**Related Commands** [TRIGGER:A:SETHold:CLOCK:SOURce](#)

**Arguments** DPO Models:  
 <wfm> specifies the source channel number and is one of CH1-CH4, EXT or AUX. You can specify only one waveform on a DPO.  
 MSO Models:  
 <wfm> specifies the source channel numbers. Each <wfm> can be one of CH1-CH4 or D0-D15. Auxin (EXT or AUX) is not valid as a data source.

**Examples** TRIGGER:A:SETHOLD:DATA:SOURCE CH1 sets channel 1 as the data source for the setup and hold trigger.  
 TRIGGER:A:SETHOLD:DATA:SOURCE? might return  
 :TRIGGER:A:LOGIC:SETHOLD:DATA:SOURCE CH2 indicating that channel 2 is the current data source for the setup and hold trigger.

## TRIGGER:A:SETHold:DATA:THReshold

Sets or returns the data voltage threshold for setup and hold trigger.

**Group** Trigger

**Syntax** TRIGGER:A:SETHold:DATA:THReshold {<NR3>|TTL}  
 TRIGGER:A:SETHold:DATA:THReshold?

**Arguments** TTL specifies the preset TTL high level of 1.4 V.  
 <NR3> is the setup and hold data level, in V.

**Examples** TRIGGER:A:SETHOLD:DATA:THRESHOLD TTL specifies the preset high level of 1.4 V as the current data voltage level for the setup and hold trigger.

TRIGGER:A:SETHOLD:DATA:THRESHOLD? might return  
:TRIGGER:A:SETHOLD:DATA:THRESHOLD 1.2000E+00 indicating  
that 1.2 V is the current data voltage level for the setup and hold trigger.

## TRIGger:A:SETHold:HOLDTime

Sets or returns the hold time for setup and hold violation triggering.

**Group** Trigger

**Syntax** TRIGger:A:SETHold:HOLDTime <NR3>  
TRIGger:A:SETHold:HOLDTime?

**Arguments** <NR3> specifies the hold time setting in seconds. Positive values for hold time occur after the clock edge. Negative values occur before the clock edge.

**Examples** TRIGGER:A:SETHOLD:HOLDTIME 3.0E-3 sets the hold time for the setup and hold trigger to 3 ms.

TRIGGER:A:SETHOLD:HOLDTIME? might return  
:TRIGGER:A:SETHOLD:HOLDTIME 2.0000E-09 indicating that the current  
hold time for the setup and hold trigger is 2 ns.

## TRIGger:A:SETHold:SETTime

Sets or returns the setup time for setup and hold violation triggering.

**Group** Trigger

**Syntax** TRIGger:A:SETHold:SETTime <NR3>  
TRIGger:A:SETHold:SETTime?

**Arguments** <NR3> specifies the setup time for setup and hold violation triggering.

**Examples** TRIGGER:A:SETHOLD:SETTIME 3.0E-6 specifies that the current setup time for setup and hold trigger is 3  $\mu$ s.

TRIGGER:A:SETHOLD:SETTIME? might return  
:TRIGGER:A:LOGIC:SETHOLD:SETTIME 2.0000E-09 indicating that the  
current setup time for setup and hold trigger is 2 ns.

**TRIGger:A:SETHold:THReshold:CH<x>**

Sets or queries the threshold for the channel specified by x. Affects all trigger types using the channel.

<b>Group</b>	Trigger
<b>Syntax</b>	TRIGger:A:SETHold:THReshold:CH<x> {<NR3> ECL TTL} TRIGger:A:SETHold:THReshold:CH<x>?
<b>Arguments</b>	<NR3> specifies the threshold voltage, in volts. ECL specifies a preset ECL high level of -1.3V. TTL specifies a preset TTL high level of 1.4V.
<b>Examples</b>	TRIGGER:A:SETHOLD:THRESHOLD:CH1 1.5 sets the channel 1 threshold to 1.5 volts.  TRIGGER:A:SETHOLD:THRESHOLD:CH1? might return TRIGGER:A:SETHOLD:THRESHOLD:CH1 0.0E+0 indicating the channel 1 threshold is set to 0.0 volts.

**TRIGger:A:SETHold:THReshold:D<x>**

Sets the threshold for the selected digital channel. Affects all trigger types using the digital channel.

<b>Group</b>	Trigger
<b>Syntax</b>	TRIGger:A:SETHold:THReshold:D<x> {<NR3> ECL TTL} TRIGger:A:SETHold:THReshold:D<x>?
<b>Arguments</b>	<NR3> specifies the threshold voltage, in volts. ECL specifies a preset ECL high level of -1.3V. TTL specifies a preset TTL high level of 1.4V.

**Examples** TRIGGER:A:SETHOLD:THRESHOLD:D1 ECL sets the threshold to ECL levels.  
TRIGGER:A:SETHOLD:THRESHOLD:D1? might return  
TRIGGER:A:SETHOLD:THRESHOLD:D1 -1.3000 indicating the  
threshold is set to -1.3 volts.

## TRIGger:A{:TRANSition|:RISEFall}? (Query Only)

Returns transition time trigger parameters.

**Group** Trigger

**Syntax** TRIGger:A{:TRANSition|:RISEFall}?

**Related Commands** [TRIGger:A:UPPerthreshold:CH<x>](#) , [TRIGger:A:LOWerthreshold:CH<x>](#)

**Examples** TRIGGER:A::TRANSITION? might return  
:TRIGGER:A:TRANSITION:POLARITY POSITIVE;WHEN  
SLOWER;DELTATIME 8.0000E-9

## TRIGger:A{:TRANSition|:RISEFall}:DELTatime

Sets or returns the delta time used in calculating the transition value for the transition trigger.

**Group** Trigger

**Syntax** TRIGger:A{:TRANSition|:RISEFall}:DELTatime <NR3>  
TRIGger:A{:TRANSition|:RISEFall}:DELTatime?

**Arguments** <NR3> specifies the delta time, in seconds.

**Examples** TRIGGER:A:TRANSITION:DELTATIME 15E-6 sets the delta time of the  
transition trigger to 15  $\mu$ s.  
TRIGGER:A:TRANSITION:DELTATIME? might return :TRIGGER:A  
:TRANSITION:DELTATIME 2.0000E-09 indicating that the delta time of the  
transition trigger is set to 2 ns.

## TRIGger:A{:TRANSition|:RISEFall}:POLarity

Sets or returns the polarity for the transition trigger.

<b>Group</b>	Trigger
<b>Syntax</b>	TRIGger:A{:TRANSition :RISEFall}:POLarity {EITHer NEGative POSitive} TRIGger:A{:TRANSition :RISEFall}:POLarity?
<b>Arguments</b>	<p>POSitive indicates that a pulse edge must traverse from the lower (most negative) to higher (most positive) level for transition triggering to occur.</p> <p>NEGative indicates that a pulse edge must traverse from the upper (most positive) to lower (most negative) level for transition triggering to occur.</p> <p>EITHer indicates either positive or negative polarity.</p>
<b>Examples</b>	<p>TRIGGER:A:TRANSITION:POLARITY NEGATIVE sets the transition polarity to negative.</p> <p>TRIGGER:A:TRANSITION:POLARITY? might return :TRIGGER:A:TRANSITION:POLARITY EITHER indicating that the polarity can be either positive or negative.</p>

## TRIGger:A{:TRANSition|:RISEFall}:SOURce

Sets or returns the source for transition trigger.

<b>Group</b>	Trigger
<b>Syntax</b>	TRIGger:A{:TRANSition :RISEFall}:SOURce {CH1 CH2 CH3 CH4} TRIGger:A{:TRANSition :RISEFall}:SOURce?
<b>Arguments</b>	CH1–CH4 specifies one of the input channels.
<b>Examples</b>	<p>TRIGGER:A:TRANSITION:SOURCE CH4 sets channel 4 as the source for the transition trigger.</p> <p>TRIGGER:A:TRANSITION:SOURCE? might return :TRIGGER:A:TRANSITION:SOURCE CH2 indicating that channel 2 is the source for the A transition trigger.</p>

## TRIGger:A{:TRANSition|:RISEFall}:WHEn

Sets or returns whether to check for a transitioning signal that is faster or slower than the specified delta time.

**Group** Trigger

**Syntax** TRIGger:A{:TRANSition|:RISEFall}:WHEn  
 {SLOWer|FASTER|EQua1|UNEQua1}  
 TRIGger:A{:TRANSition|:RISEFall}:WHEn?

**Arguments** FASTER sets the trigger to occur when the signal transition time is faster than the time set by TRIGger:A{:TRANSition|:RISEFall}:DELTAtime.  
 SLOWer sets the trigger to occur when the signal transition time is slower than the time set by TRIGger:A{:TRANSition|:RISEFall}:DELTAtime.  
 EQua1 sets the trigger to occur when the signal transition time is equal to the time set by TRIGger:A{:TRANSition|:RISEFall}:DELTAtime.  
 UNEQua1 sets the trigger to occur when the signal transition time is not equal to the time set by TRIGger:A{:TRANSition|:RISEFall}:DELTAtime.

**Examples** TRIGGER:A:TRANSITION:WHEN SLOWER sets the trigger to occur when the signal transition time is slower than the time set by the TRIGger:A{:TRANSition|:RISEFall}:DELTAtime command.  
 TRIGGER:A:TRANSITION:WHEN? might return :TRIGGER:A:TRANSITION:WHEN FASTER

## TRIGger:A:TYPE

Sets or returns the type of A trigger. Once you have set the trigger type, you may also need to identify the associated trigger class. For details on selecting Logic and Pulse trigger classes, see [TRIGger:A:LOGic:CLAss](#) and [TRIGger:A:PULse:CLAss](#) respectively.

**Group** Trigger

**Syntax** TRIGger:A:TYPE {EDGE|LOGic|PULSe|BUS|VIDEo}  
 TRIGger:A:TYPE?

**Related Commands** [TRIGger:A:EDGE?](#), [TRIGger:A:LOGic:CLAss](#), [TRIGger:A:PULse:CLAss](#)



**Arguments** EDGE is the default trigger. A trigger event occurs when a signal passes through a specified voltage level in a specified direction and is controlled by the [TRIGger:A:EDGE?](#) commands.

LOGic specifies that a trigger occurs when specified conditions are met and is controlled by the [TRIGger:A:LOGic?](#) commands. This trigger type is equivalent to the logic trigger and to the setup and hold trigger found in the user interface.

PULSe specifies that a trigger occurs when a specified pulse is found and is controlled by the [TRIGger:A:PULse?](#) commands. This trigger type is equivalent to the pulse width, runt, and rise/fall time triggers found in the user interface.

BUS specifies that a trigger occurs when a communications signal is found. Supports CAN, I<sup>2</sup>C, SPI, and RS-232 communications signals.

VIDeo specifies that the trigger occurs when a video signal is found.

**Examples** TRIGGER:A:TYPE EDGE sets the A trigger type to EDGE.

TRIGGER:A:TYPE? might return :TRIGGER:A:TYPE PULSE indicating that the A trigger type is a pulse trigger.

## TRIGger:A:UPPerthreshold:CH<x>

Sets the upper threshold for channel <x>, where x is the channel number. Each channel can have an independent level. Used only for runt and slew rate trigger types.

**Group** Trigger

**Syntax** TRIGger:A:UPPerthreshold:CH<x> {<NR3>|ECL|TTL}  
TRIGger:A:UPPerthreshold:CH<x>?

**Arguments** <NR3> is the threshold level in volts.

ECL specifies a preset ECL high level of -1.3V.

TTL specifies a preset TTL high level of 1.4V.

**Examples** TRIGGER:A:UPPERTHRESHOLD:CH2 50E-3 sets the upper limit of the pulse runt trigger to 50 mV for channel 2.

TRIGGER:A:UPPERTHRESHOLD:CH2? might return :TRIGGER:A:UPPERTHRESHOLD:CH2 1.2000E-01 indicating that the upper limit of the pulse runt trigger is set to 120 mV.

## TRIGger:A:VIDeo? (Query Only)

Returns the A trigger video parameters.

**Group** Trigger

**Syntax** TRIGger:A:VIDeo?

**Examples** TRIGGER:A:VIDEO? might return :TRIGGER:A:VIDEO:POLARITY POSITIVE;SOURCE CH1;STANDARD NTSC;SYNC ALLLINES;HOLDOFF:FIELD 0.0000;:TRIGGER:A:VIDEO:CUSTOM:FORMAT PROGRESSIVE;SCANRATE15K;:TRIGGER:A:VIDEO:LINE 1;HDTV:FORMAT HD1080I60

## TRIGger:A:VIDeo:CUSTom{:FORMat|:TYPE}

Sets or returns the video trigger format. Use this command only when the video format is set to custom.

**Conditions** This command requires a DPO4VID application module.

**Group** Trigger

**Syntax** TRIGger:A:VIDeo:CUSTom{:FORMat|:TYPE}  
{INTERLAced|PROGressive}  
TRIGger:A:VIDeo:CUSTom{:FORMat|:TYPE}?

**Arguments** INTERLAced argument sets the format for interlaced video lines.  
PROGressive argument sets the format for progressive video lines.

**Examples** TRIGGER:A:VIDEO:CUSTOM:FORMAT PROGRESSIVE sets the custom format for the A video trigger to progressive lines.

TRIGGER:A:VIDEO:CUSTOM:FORMAT? might return :TRIGGER:A:VIDEO:CUSTOM:FORMAT INTERLACED indicating that interlaced is selected as the custom format for the A video trigger.

## TRIGger:A:VIDeo:CUSTom:LINEPeriod

Sets or queries the line period for the standard under test. Use this command only when the video format is set to custom.

<b>Conditions</b>	This command requires a DPO4VID application module.
<b>Group</b>	Trigger
<b>Syntax</b>	TRIGger:A:VIDeo:CUSTom:LINEPeriod <NR3> TRIGger:A:VIDeo:CUSTom:LINEPeriod?
<b>Arguments</b>	<NR3> is the custom video line period.
<b>Examples</b>	TRIGGER:A:VIDEO:CUSTOM:LINEPERIOD 50.5E-6 sets the video line period to 50.5 $\mu$ s.  TRIGGER:A:VIDEO:CUSTOM:LINEPERIOD? might return TRIGGER:A:VIDEO:CUSTOM:LINEPERIOD 63.5600E-6 indicating the video line period is set to 63.56 $\mu$ s.

## TRIGger:A:VIDeo:CUSTom:SCAN

Sets or returns the horizontal line scan rate of the A video trigger. Use this command only when the video format is set to custom.

<b>Conditions</b>	This command requires a DPO4VID application module.
<b>Group</b>	Trigger
<b>Syntax</b>	TRIGger:A:VIDeo:CUSTom:SCAN {RATE15K RATE20K RATE25K RATE35K RATE50K} TRIGger:A:VIDeo:CUSTom:SCAN?
<b>Arguments</b>	RATE15 sets the range of the video line scan rate to 15 kHz through 20 kHz. This is the standard broadcast rate.  RATE20 sets the range of the video line scan rate to 20 kHz through 25 kHz.  RATE25 sets the range of the video line scan rate to 25 kHz through 35 kHz  RATE35 sets the range of the video line scan rate to 35 kHz through 50 kHz

RATE50 sets the range of the video line scan rate to 50 kHz through 65 kHz

- Examples** TRIGGER:A:VIDEO:CUSTOM:SCAN RATE15 sets the scan rate of the A trigger custom video to Rate 1, which is 15 kHz to 20 kHz (standard broadcast rate).
- TRIGGER:A:VIDEO:CUSTOM:SCAN? might return :TRIGGER:A:VIDEO:CUSTOM:SCAN RATE20 indicating that the video line rate for the A trigger custom video is set to Rate20, which is 20 kHz to 25 kHz.

## TRIGger:A:VIDeo:CUSTom:SYNCInterval

Sets or queries the sync interval for the standard under test. This is only required for BiLevel Custom. Use this command only when the video format is set to custom.

- Conditions** This command requires a DPO4VID application module.
- Group** Trigger
- Syntax** TRIGger:A:VIDeo:CUSTom:SYNCInterval <NR3>  
TRIGger:A:VIDeo:CUSTom:SYNCInterval?
- Arguments** <NR3> is the sync interval.
- Examples** TRIGGER:A:VIDEO:CUSTOM:SYNCINTERVAL 4.0E-6 sets the sync interval is set to 4.0  $\mu$ s.
- TRIGGER:A:VIDEO:CUSTOM:SYNCINTERVAL? might return  
TRIGGER:A:VIDEO:CUSTOM:SYNCINTERVAL 4.7200E-6 indicating the sync interval is set to 4.72  $\mu$ s.

## TRIGger:A:VIDeo:HDtv:FORMat

Sets or returns the HDTV video signal format on which to trigger.

- Conditions** This command requires a DPO4VID application module.
- Group** Trigger

**Syntax** TRIGger:A:VIDeo:HDTv:FORMat  
 {HD1080P24|HD720P60|HD480P60|HD1080I50|HD1080P25|  
 HD1080I60|HD1080PSF24}  
 TRIGger:A:VIDeo:HDTv:FORMat?

**Arguments** **Table 2-42: Available HDTV formats**

HDTV format	Description
1080i50	1125 Lines (1080 active), 1920 x 1080 pixel, interlaced, 60 fps
1080i60	1125 lines (1080 active), 1920 x 1080 pixel, interlaced, 50 fps
1080p24	1125 lines (1080 active), 1920 x 1080 pixel, progressive, 24 fps
1080p25	1125 lines (1080 active), 1920 x 1080 pixel, progressive, 25 fps
1080sf24	1125 Lines (1080 active), 1920 x 1080 pixel, progressive (sF), 24 fps
720p60	750 lines (720 active), 1280 x 720 pixel, progressive, 60 fps
480p60	525 lines (480 active), 640 or 704 x 480 pixel, progressive, 60 fps

## TRIGger:A:VIDeo:HOLDoff:FIELD

Sets or returns the video trigger holdoff in terms of video fields.

**Conditions** This command requires a DPO4VID application module.

**Group** Trigger

**Syntax** TRIGger:A:VIDeo:HOLDoff:FIELD <NR3>  
 TRIGger:A:VIDeo:HOLDoff:FIELD?

**Arguments** <NR3> argument is a real number from 0.0 to 8.5 in increments of 0.5. The argument sets the number of fields that the oscilloscope waits before rearming the video trigger.

**Examples** TRIGGER:A:VIDEO:HOLDOFF:FIELD? might return  
 :TRIGger:A:VIDeo:HOLDoff:FIELD 5 indicating that the oscilloscope is set to wait 5 video fields before rearming the trigger.

TRIGGER:A:VIDEO:HOLDOFF:FIELD 4.5 sets the oscilloscope to wait 4.5 video fields before rearming the trigger.

## TRIGger:A:VIDeo:LINE

Sets or returns the video line number on which the oscilloscope triggers. Use the [TRIGger:A:VIDeo{:SYNC|:FIELD}](#) command to actually trigger the oscilloscope on the line that you specify with this command.

**Conditions** This command requires a DPO4VID application module.

**Group** Trigger

**Syntax** TRIGger:A:VIDeo:LINE <NR1>  
TRIGger:A:VIDeo:LINE?

**Related Commands** [TRIGger:A:VIDeo{:SYNC|:FIELD}](#)

**Arguments** <NR1> argument is an integer that sets the video line number on which the oscilloscope triggers. The following table lists the valid choices, depending on the active video standard.

**Table 2-43: Video Line Numbering Ranges**

Video Standard	Line Number Range
525/NTSC	1–525
625/PAL, SECAM	1–625
SECAM	1–625

**Examples** TRIGGER:A:VIDEO:LINE 23 sets the oscilloscope to trigger on the line 23.

TRIGGER:A:VIDEO:LINE ? might return :TRIGger:A:VIDeo:LINE 10 indicating that the oscilloscope is set to trigger on line 10.

## TRIGger:A:VIDeo:POLarity

Sets or returns the polarity of the A video trigger.

**Conditions** This command requires a DPO4VID application module.

<b>Group</b>	Trigger
<b>Syntax</b>	TRIGger:A:VIDeo:POLarity {NEGative POSitive} TRIGger:A:VIDeo:POLarity?
<b>Arguments</b>	POSitive argument sets the oscilloscope to trigger on a positive video sync pulse. NEGative argument sets the oscilloscope to trigger on a negative video sync pulse.
<b>Examples</b>	TRIGGER:A:VIDEO:POLARITY NEGATIVE sets the oscilloscope to trigger on a negative video pulse.  TRIGGER:A:VIDEO:POLARITY? might return :TRIGger:A:VIDeo:POLARITY POSITIVE indicating that the oscilloscope is set to trigger on a positive video sync pulse.

## TRIGger:A:VIDeo:SOUrce

Sets or returns the source for the A video trigger.

<b>Group</b>	Trigger
<b>Syntax</b>	TRIGger:A:VIDeo:SOUrce {CH1 CH2 CH3 CH4  D0 D1 D2 D3 D4 D5 D6 D7 D8 D9 D10 D11 D12 D13 D14 D15} TRIGger:A:VIDeo:SOUrce?
<b>Arguments</b>	CH1–CH4 or D0–D15 specifies the input channel to use as the A video trigger.
<b>Examples</b>	TRIGGER:A:VIDEO:SOURCE CH1 sets the source for A video trigger to Channel 1.  TRIGGER:A:VIDEO:SOURCE? might return :TRIGger:A:VIDeo:SOUrce CH2 indicating that the source for the A video trigger is set to Channel 2.

## TRIGger:A:VIDeo:STANdard

Sets or returns the standard for the video trigger.

<b>Group</b>	Trigger
--------------	---------

**Syntax** TRIGger:A:VIDeo:STANDARD {NTSC|PAL|SECAM|CUSTom|HDtv}  
 TRIGger:A:VIDeo:STANDARD?

**Arguments** NTSC sets the oscilloscope to trigger on video signals that meet the NTSC 525/60/2:1 standard (a line rate of 525 lines per frame and a field rate of 60 Hz).  
 PAL sets the oscilloscope to trigger on video signals that meet the NTSC 625/50/2:1 standard (a line rate of 625 lines per frame and a field rate of 50 Hz).  
 SECAM sets the oscilloscope to trigger on video signals that meet the SECAM standard.  
 CUSTom sets the oscilloscope to trigger on video horizontal scan rate parameters defined by [TRIGger:A:VIDeo:CUSTom:SCAN](#) command.  
 HDtv sets the oscilloscope to trigger on HDTV video signals that meet standards defined by the [TRIGger:A:VIDeo:HDtv:FORMat](#) command.

**Examples** TRIGGER:A:VIDEO:STANDARD NTSC sets the oscilloscope to trigger on NTSC-standard video signals.  
 TRIGGER:A:VIDEO:STANDARD? might return :TRIGger:A:VIDeo:STANDARD HDTV indicating that the oscilloscope is set to trigger on an HDTV format.

## TRIGger:A:VIDeo{:SYNC|:FIELD}

Sets or returns the video field or line that the trigger detects.

**Group** Trigger

**Syntax** TRIGger:A:VIDeo{:SYNC|:FIELD}  
 {ODD|EVEN|ALLFieLds|ALLLines|NUMERiC}  
 TRIGger:A:VIDeo{:SYNC|:FIELD}?

**Arguments** ODD argument sets the oscilloscope to trigger on interlaced video odd fields.  
 EVEN argument sets the oscilloscope to trigger on interlaced video even fields.  
 ALLFieLds argument sets the oscilloscope to trigger on all fields.  
 ALLLines argument sets the oscilloscope to trigger on all video lines.  
 NUMERiC argument sets the oscilloscope to trigger on the video signal line specified by the [TRIGger:A:VIDeo:LINE](#) command.



**Examples** TRIGGER:A:VIDEO:FIELD EVEN sets the A video trigger so that it will trigger on even fields.

TRIGGER:A:VIDEO:FIELD? might return :TRIGGER:A:VIDEO:FIELD ALLFIELDS indicating that the A video will trigger on all video fields.

## TRIGger:B

Sets the B trigger level to 50% of minimum and maximum. The query form of this command returns the B trigger parameters. This command is similar to selecting B Event (Delayed) Trigger Setup from the Trig menu and then viewing the current setups.

**Group** Trigger

**Syntax** TRIGger:B SETLevel  
TRIGger:B?

**Related Commands** [TRIGger:A](#)

**Arguments** SETLevel sets the B trigger level to 50% of MIN and MAX.

**Examples** TRIGGER:B SETLEVEL sets the B trigger level to 50% of MIN and MAX.  
TRIGGER:B? might return the following B trigger parameters:  
:TRIGGER:B:STATE 0;TYPE EDGE; LEVEL -220.0000E-3;BY  
TIME;EDGE:SOURCE CH1;SLOPE RISE;COUPLING DC; :TRIGGER:B:TIME  
16.0000E-9;EVENTS:COUNT 2

## TRIGger:B:BY

Selects or returns whether the B trigger occurs after a specified number of events or a specified period of time after the A trigger.

**Group** Trigger

**Syntax** TRIGger:B:BY {EVENTS|TIME}  
TRIGger:B:BY?

**Related Commands** [TRIGger:B:EVENTS:COUNT](#), [TRIGger:B:TIME](#), ,

- Arguments**    **EVENTS** sets the B trigger to take place following a set number of trigger events after the A trigger occurs. The number of events is specified by **TRIGger:B:EVENTS:COUNT**.
- TIME** sets the B trigger to occur a set time after the A trigger event. The time period is specified by **TRIGger:B:TIME**.
- Examples**    **TRIGGER:B:BY TIME** sets the B trigger to occur at a set time after the A trigger event.
- TRIGGER:B:BY?** might return **:TRIGGER:B:BY EVENTS** indicating that the B trigger takes place following a set number of trigger events after the A trigger occurs.

## TRIGger:B:EDGE? (Query Only)

Returns the source, slope, and coupling for B trigger.

- Group**    Trigger
- Syntax**    **TRIGger:B:EDGE?**
- Related Commands**    [TRIGger:B:EDGE:COUPling](#), [TRIGger:B:EDGE:SLOPe](#), [TRIGger:B:EDGE:SOUrce](#)
- Examples**    **TRIGGER:B:EDGE?** might return **:TRIGGER:B:EDGE:SOURCE CH1; SLOPE RISE;COUPLING DC**

## TRIGger:B:EDGE:COUPling

Sets or returns the type of coupling for the B trigger.

- Group**    Trigger
- Syntax**    **TRIGger:B:EDGE:COUPling {DC|HFRej|LFRej|NOISerej}**  
**TRIGger:B:EDGE:COUPling?**
- Related Commands**    [TRIGger:B:EDGE?](#)

<b>Arguments</b>	DC selects DC trigger coupling. HFRej selects high-frequency reject coupling. LFRej selects low-frequency reject coupling. NOISerej selects DC low sensitivity.
<b>Examples</b>	TRIGGER:B:EDGE:COUPLING DC selects DC for the B trigger coupling. TRIGGER:B:EDGE:COUPLING? might return :TRIGGER:B:EDGE:COUPLING ATRIGGER for the B trigger coupling.

## TRIGger:B:EDGE:SLOpe

Sets or returns the slope for the B trigger.

<b>Group</b>	Trigger
<b>Syntax</b>	TRIGger:B:EDGE:SLOpe {RISe FALL} TRIGger:B:EDGE:SLOpe?
<b>Related Commands</b>	<a href="#">TRIGger:B:EDGE?</a>
<b>Arguments</b>	RISe triggers on the rising or positive edge of a signal. FALL triggers on the falling or negative edge of a signal.
<b>Examples</b>	TRIGGER:B:EDGE:SLOPE FALL sets the B edge trigger to occur on the falling slope. TRIGGER:B:EDGE:SLOPE? might return :TRIGGER:B:EDGE:SLOPE RISE indicating that the B edge trigger occurs on the rising slope.

## TRIGger:B:EDGE:SOUrce

Sets or returns the source for the B trigger.

<b>Group</b>	Trigger
<b>Syntax</b>	TRIGger:B:EDGE:SOUrce {CH<x> EXT LINE} TRIGger:B:EDGE:SOUrce?

**Related Commands**    [TRIGger:B:EDGE?](#)

**Arguments**    CH<x> specifies one of the input channels as the B trigger source.  
EXT specifies an external trigger (using the Aux In connector, located on the front panel of the oscilloscope) as the B trigger source.  
LINE specifies the power line as the B trigger source.

**Examples**    TRIGGER:B:EDGE:SOURCE CH4 sets channel 4 as the input source for the B trigger.  
TRIGGER:B:EDGE:SOURCE? might return :TRIGGER:B:EDGE:SOURCE CH1 indicating that the current input source for the B trigger is channel 1.

## TRIGger:B:EVENTS? (Query Only)

Returns the current B trigger events parameter.

**Group**    Trigger

**Syntax**    TRIGger:B:EVENTS?

**Related Commands**    [TRIGger:B:EVENTS:COUNT](#)

**Examples**    TRIGGER:B:EVENTS? might return  
:TRIGGER:B:EVENTS:COUNT 2  
indicating that 2 events must occur before the B trigger occurs.

## TRIGger:B:EVENTS:COUNT

Sets or returns the number of events that must occur before the B trigger (when TRIG:DElay:BY is set to EVENTS).

**Group**    Trigger

**Syntax**    TRIGger:B:EVENTS:COUNT <NR1>  
TRIGger:B:EVENTS:COUNT?

<b>Related Commands</b>	<a href="#">TRIGger:B:EVENTS?</a>
<b>Arguments</b>	<NR1> is the number of B trigger events, which can range from 1 to 10,000,000.
<b>Examples</b>	<p>TRIGGER:B:EVENTS:COUNT 4 specifies that the B trigger will occur four trigger events after the A trigger.</p> <p>TRIGGER:B:EVENTS:COUNT? might return :TRIGGER:B:EVENTS:COUNT 2 indicating that two events must occur after the A trigger before the B trigger can occur.</p>

## TRIGger:B:LEVel

Sets or returns the level for the B trigger.

<b>Group</b>	Trigger
<b>Syntax</b>	<pre>TRIGger:B:LEVel {TTL &lt;NR3&gt;} TRIGger:B:LEVel?</pre>
<b>Related Commands</b>	<a href="#">TRIGger:A:LEVel</a> , <a href="#">TRIGger:B</a> , <a href="#">TRIGger:B:EDGE:SOURce</a>
<b>Arguments</b>	<p>TTL specifies a preset TTL high level of 1.4 V.</p> <p>&lt;NR3&gt; is the B trigger level, in volts.</p>
<b>Examples</b>	<p>TRIGGER:B:LEVEL TTL sets the B trigger level to 1.4 V.</p> <p>TRIGGER:B:LEVEL? might return :TRIGGER:B:LEVEL 173.0000E-03 indicating that the B trigger level is currently set at 173 mV.</p>

## TRIGger:B:LEVel:CH<x>

Sets or returns the B trigger level for channel <x>, where x is the channel number. Each Channel can have an independent Level.

<b>Group</b>	Trigger
<b>Syntax</b>	<pre>TRIGger:B:LEVel:CH&lt;x&gt; {ECL TTL &lt;NR3&gt;} TRIGger:B:LEVel:CH&lt;x&gt;?</pre>

**Arguments** ECL specifies a preset ECL high level of -1.3V.  
TTL specifies a preset TTL high level of 1.4V.  
<NR3> specifies the trigger level in user units (usually volts).

**Examples** TRIGGER:B:LEVEL:CH2? might return :TRIGGER:B:LEVEL:CH2  
1.3000E+00 indicating that the B edge trigger is set to 1.3 V for channel 2.  
TRIGGER:B:LEVEL:CH3 TTL sets the B edge trigger to TTL high level for  
channel 3.

## TRIGger:B:LEVel:D<x>

Sets or returns the B trigger level for digital channel <x>, where x is the channel number. Each channel can have an independent level.

**Group** Trigger

**Syntax** TRIGger:B:LEVel:D<x> {ECL|TTL|<NR3>}  
TRIGger:B:LEVel:D<x>?

**Arguments** ECL specifies a preset ECL high level of -1.3V.  
TTL specifies a preset TTL high level of 1.4V.  
<NR3> specifies the trigger level in user units (usually volts).

## TRIGger:B:LOWerthreshold:CH<x>

Sets or returns the B trigger lower threshold for the channel <x>, where x is the channel number. Each channel can have an independent level. Used in runt and slew rate triggers as the lower threshold. Used for all other trigger types as the single level/threshold.

**Group** Trigger

**Syntax** TRIGger:B:LOWerthreshold:CH<x> {ECL|TTL|<NR3>}  
TRIGger:B:LOWerthreshold:CH<x>?

**Arguments** ECL specifies a preset ECL high level of -1.3V.  
TTL specifies a preset TTL high level of 1.4V.

<NR3> is the threshold level, in volts.

## TRIGger:B:LOWerthreshold:D<x>

Sets or queries the lower threshold for the digital channel selected. Each channel can have an independent level. Used in runt and slew rate as the lower threshold. Used for all other trigger types as the single level/threshold.

<b>Group</b>	Trigger
<b>Syntax</b>	TRIGger:B:LOWerthreshold:D<x> {<NR3> ECL TTL} TRIGger:B:LOWerthreshold:D<x>?
<b>Arguments</b>	<NR3> specifies the threshold in volts. ECL specifies a preset ECL high level of -1.3V. TTL specifies a preset TTL high level of 1.4V.
<b>Examples</b>	TRIGGER:B:LOWERTHRESHOLD:D1? might return TRIGGER:B:LOWERTHRESHOLD:D1 1.4000 indicating the threshold is set to 1.4 volts.

## TRIGger:B:STATE

Sets or returns the state of B trigger activity. If the B trigger state is on, the B trigger is part of the triggering sequence. If the B trigger state is off, then only the A trigger causes the trigger event.

<b>Group</b>	Trigger
<b>Syntax</b>	TRIGger:B:STATE {ON OFF <NR1>} TRIGger:B:STATE?
<b>Related Commands</b>	<a href="#">TRIGger:A:MODE</a>
<b>Arguments</b>	ON specifies that the B trigger is active and in causes trigger events conjunction with the A trigger. OFF specifies that only the A trigger causes trigger events.

<NR1> a 0 turns off the B trigger; any other value activates the B trigger.

**Examples** TRIGGER:B:STATE ON sets the B trigger to active, making it capable of causing trigger events.

TRIGGER:B:STATE? might return :TRIGGER:B:STATE 0 indicating that the B trigger is inactive and that only the A trigger causes trigger events.

## TRIGger:B:TIME

Sets or returns B trigger delay time. The B Trigger time applies only if TRIGger:B:BY is set to TIME.

**Group** Trigger

**Syntax** TRIGger:B:TIME <NR3>  
TRIGger:B:TIME?

**Related Commands** [TRIGger:B:BY](#), [TRIGger:B:EVENTS:COUNT](#)

**Arguments** <NR3> is the B trigger delay time in seconds.

**Examples** TRIGGER:B:TIME 4E-6 sets the B trigger delay time to 4  $\mu$ s.

TRIGGER:B:TIME? might return :TRIGGER:B:TIME 16.0000E-9 indicating that the B trigger time is set to 16 ns.

## TRIGger:B:TYPE

Sets or returns the type of B trigger. The only supported B trigger type is EDGE.

**Group** Trigger

**Syntax** TRIGger:B:TYPE EDGE  
TRIGger:B:TYPE?

**Related Commands** [TRIGger:A:TYPE](#)

**Arguments** EDGE sets the B trigger type to edge.



**Examples** TRIGGER:B:TYPE EDGE sets the B trigger type to edge.  
 TRIGGER:B:TYPE? might return :TRIGGER:B:TYPE EDGE.

## TRIGger:B:UPPerthreshold:CH<x>

Sets the upper threshold for the channel selected. Each channel can have an independent level.

**Group** Trigger

**Syntax** TRIGger:B:UPPerthreshold:CH<x> {<NR3>|TTL}  
 TRIGger:B:UPPerthreshold:CH<x>?

**Arguments** TTL specifies a preset TTL high level of 1.4 V.  
 <NR3> is the clock level, in volts.

## TRIGger:EXTeRnal? (Query Only)

Returns all external trigger parameters.

**Group** Trigger

**Syntax** TRIGger:EXTeRnal?

## TRIGger:EXTeRnal:PRObe

Sets or returns the attenuation factor value of the external probe connector.

**Group** Trigger

**Syntax** TRIGger:EXTeRnal:PRObe <NR3>  
 TRIGger:EXTeRnal:PRObe?

**Arguments** <NR3> is the attenuation factor of the probe.

**Examples** TRIGGER:EXTERNAL:PROBE? might return :TRIGGER:EXTERNAL:PROBE  
 1.0E1 for a 10X probe.

## TRIGger:EXTErnal:YUNIts? (Query Only)

Returns the external trigger vertical (Y) units value.

**Group** Trigger

**Syntax** TRIGger:EXTErnal:YUNIts?

**Examples** TRIGGER:EXTERNAL:YUNITS? might return TRIGGER:EXTERNAL:YUNITS  
“V” if the vertical unit is volts.

## TRIGger:FREQuency? (Query Only)

Returns the trigger frequency in hertz if available. If the trigger frequency is not currently available, the IEEE Not A Number (NaN = 99.10E+36) value is returned. The maximum precision of the returned frequency is 12 digits.

**Group** Trigger

**Syntax** TRIGger:FREQuency?

**Examples** TRIGGER:FREQUENCY? might return TRIGGER:FREQUENCY 99.10+36  
indicating that the trigger frequency is not available.

## TRIGger:STATE? (Query Only)

Returns the current state of the triggering system.

**Group** Trigger

**Syntax** TRIGger:STATE?

**Related Commands** [TRIGger:A:MODE](#)

**Returns** ARMED indicates that the oscilloscope is acquiring pretrigger information.  
AUTO indicates that the oscilloscope is in the automatic mode and acquires data even in the absence of a trigger.

READY indicates that all pretrigger information has been acquired and that the oscilloscope is ready to accept a trigger.

SAVE indicates that the oscilloscope is in save mode and is not acquiring data.

TRIGGER indicates that the oscilloscope triggered and is acquiring the post trigger information.

**Examples** TRIGGER:STATE? might return :TRIGGER:STATE ARMED indicating that the pretrigger data is being acquired.

## \*TST? (Query Only)

Tests (self-test) the interface and returns a 0.

**Group** Miscellaneous

**Syntax** \*TST?

**Examples** \*TST? always returns 0.

## UNLock (No Query Form)

Unlocks the front panel. The command is equivalent to LOCK NONE.

**Group** Miscellaneous

**Syntax** UNLock ALL

**Related Commands** [LOCK](#)

**Arguments** ALL specifies that all front-panel buttons and knobs are unlocked.

**Examples** UNLOCK ALL unlocks all front-panel buttons and knobs.

## USBDevice:CONFigure

Enables or disables the rear USB port for use with Pictbridge printers.

<b>Group</b>	PictBridge
<b>Syntax</b>	USBDevice:CONFigure {DISabled IMAge USBTmc} USBDevice:CONFigure?
<b>Arguments</b>	DISabled disables the rear USB port. IMAge enables the rear USB port as an SIC device. USBTmc enables the rear USB port as a USBTMC device.
<b>Examples</b>	USBDEVICE:CONFIGURE IMAGE enables the rear USB port as an SIC device USBDEVICE:CONFIGURE ? might return USBDEVICE:CONFIGURE USBT indicating a USBTMC device.

## USBTMC? (Query Only)

Returns the USBTMC information used by the USB hosts to determine the instrument interfaces.

<b>Group</b>	Miscellaneous
<b>Syntax</b>	USBTMC?

## USBTMC:PRODUCTID:DECimal? (Query Only)

This query to returns the USBTMC product ID. The product ID numbers vary for each instrument family and model.

<b>Group</b>	Miscellaneous
<b>Syntax</b>	USBTMC:PRODUCTID:DECimal?
<b>Related Commands</b>	<a href="#">USBTMC:PRODUCTID:HEXadecimal?</a> , <a href="#">USBTMC:SERIALnumber?</a> , <a href="#">USBTMC:VENDORID:DECimal?</a> , <a href="#">USBTMC:VENDORID:HEXadecimal?</a>
<b>Examples</b>	USBTMC:PRODUCTID:DECIMAL? might return USBTMC:PRODUCTID:DECIMAL 1025, indicating the product ID in decimal is 1025.

## USBTMC:PRODUCTID:HEXadecimal? (Query Only)

This query returns the USBTMC product ID. The product ID numbers vary for each instrument family and model.

**Group** Miscellaneous

**Syntax** USBTMC:PRODUCTID:HEXadecimal?

**Related Commands** [USBTMC:PRODUCTID:DECimal?](#), [USBTMC:SERIALnumber?](#),  
[USBTMC:VENDORID:DECimal?](#), [USBTMC:VENDORID:HEXadecimal?](#)

**Examples** USBTMC:PRODUCTID:HEXADECIMAL? might return  
USBTMC:PRODUCTID:HEXADECIMAL 0x0401, indicating the product ID  
in hexadecimal is 0x0401.

## USBTMC:SERIALnumber? (Query Only)

This query returns the instrument serial number.

**Group** Miscellaneous

**Syntax** USBTMC:SERIALnumber?

**Related Commands** [USBTMC:PRODUCTID:DECimal?](#), [USBTMC:PRODUCTID:HEXadecimal?](#),  
[USBTMC:VENDORID:DECimal?](#), [USBTMC:VENDORID:HEXadecimal?](#)

**Examples** USBTMC:SERIALNUMBER? might return USBTMC:SERIALNUMBER PQ30003,  
indicating the product serial number is PQ30003.

## USBTMC:VENDORID:DECimal? (Query Only)

This query returns the USBTMC vendor ID. The Vendor ID for Tektronix is 0x699 or 1689 decimal.

**Group** Miscellaneous

**Syntax** USBTMC:VENDORID:DECimal?

**Related Commands** [USBTMC:PRODUCTID:DECimal?](#), [USBTMC:PRODUCTID:HEXadecimal?](#), [USBTMC:SERIALnumber?](#), [USBTMC:VENDORID:HEXadecimal?](#)

**Examples** USBTMC:VENDORID:DECIMAL? might return USBTMC:VENDORID:DECIMAL 1689, indicating the vendor ID in decimal is 1689.

## USBTMC:VENDORID:HEXadecimal? (Query Only)

This query returns the USBTMC vendor ID. The Vendor ID for Tektronix is 0x699 or 1689 decimal.

**Group** Miscellaneous

**Syntax** USBTMC:VENDORID:HEXadecimal?

**Related Commands** [USBTMC:PRODUCTID:DECimal?](#), [USBTMC:PRODUCTID:HEXadecimal?](#), [USBTMC:SERIALnumber?](#), [USBTMC:VENDORID:DECimal?](#)

**Examples** USBTMC:VENDORID:HEXADECIMAL? might return USBTMC:VENDORID:HEXADECIMAL 0x0699, indicating the vendor ID in hexadecimal is 0x0699.

## VERBose

Sets or returns the Verbose state that controls the length of keywords on query responses. Keywords can be both headers and arguments.

---

**NOTE.** *This command does not affect IEEE Std 488.2-1987 Common Commands (those starting with an asterisk). This command does affect the verbose state of both the USBTMC and VXI-11 interfaces. Refer to the Introduction for information.*

---

**Group** Miscellaneous

**Syntax** VERBose {OFF|ON|<NR1>}

**Related Commands** [HEADer](#), [\\*LRN?](#), [SET?](#)

**Arguments** OFF sets the Verbose state to false, which returns minimum-length keywords for applicable setting queries.

ON sets the Verbose state to true, which returns full-length keywords for applicable setting queries.

<NR1> a 0 returns minimum-length keywords for applicable setting queries; any other value returns full-length keywords.

**Examples** VERBOSE ON enables the Verbose state.

VERBOSE ? might return :VERB 0 indicating that the Verbose state is disabled.

### \*WAI (No Query Form)

Prevents the oscilloscope from executing further commands or queries until all pending commands that generate an OPC message are complete. This command allows you to synchronize the operation of the oscilloscope with your application program.(See page 3-7, *Synchronization Methods*.)

**Group** Status and Error

**Syntax** \*WAI

**Related Commands** [BUSY?](#), [\\*OPC](#)

**Examples** \*WAI prevents the oscilloscope from executing any further commands or queries until all pending commands that generate an OPC message are complete.

### WAVFrm? (Query Only)

Returns WFMOupre? and CURVe? data for the waveform as specified by the DATA:SOURce command. This command is equivalent to sending both WFMOupre? and CURVe?, with the additional provision that the response to WAVFrm? is guaranteed to provide a synchronized preamble and curve. The source waveform, as specified by :DATA:SOURCE, must be active or the query will not return any data and will generate an error indicator.

**Group** Waveform Transfer

**Syntax** WAVFrm?

**Related Commands**    [CURVe](#), [DATA:SOURce](#), [WFMOUtpre?](#)

**Examples**    WAVFRM? might return the waveform data as: :WFMOUtpre:BYT\_Nr 1;BIT\_Nr 8;ENCDG ASCII;BN\_FMT RI;BYT\_OR MSB;WFID "Ch1, DC coupling, 100.0mV/div, 4.000us/div, 10000 points, Sample mode";NR\_PT 20;PT\_FMT Y;XUNIT "s";XINCR 4.0000E-9;XZERO -20.0000E-6;PT\_OFF 0;YUNIT "V";YMULT 4.0000E-3;YOFF 0.0000;YZERO 0.0000;:CURVE 2,1,4,2,4,3,0,3,3,3,3,3,3,4,3,5,6,6,7,3

## WFMImpre? (Query Only)

Returns the waveform formatting and scaling specifications to be applied to the next incoming CURVe command data.

**Group**    Waveform Transfer

**Syntax**    WFMImpre?

**Related Commands**    [WFMOUtpre?](#)

**Examples**    WFMImpre? might return the waveform formatting as :WFMImpre:BIT\_Nr 8;BN\_FMT RI;BYT\_Nr 1; BYT\_OR MSB;ENCDG BIN;NR\_PT 500;PT\_FMT Y; PT\_OFF 0;XINCR 2.0000E-6;XZERO 1.7536E-6; XUNIT "s";YMULT 1.0000E-3;YOFF 0.0000; YZERO 0.0000;YUNIT "v"

## WFMImpre:BIT\_Nr

Sets or returns the number of bits per binary waveform point for the incoming waveform. Changing the value of [WFMImpre:BIT\\_Nr](#) also changes the value of [WFMImpre:BYT\\_Nr](#).

**Group**    Waveform Transfer

**Syntax**    WFMImpre:BIT\_Nr <NR1>  
WFMImpre:BIT\_Nr?

**Related Commands**    [WFMImpre:BYT\\_Nr](#)



**Arguments** <NR1> number of bits per data point can be 8 or 16.

**Examples** `WFMINPRE:BIT_NR 16` sets the number of bits per waveform point to 16, for incoming data.

`WFMINPRE:BIT_NR?` might return `:WFMINPRE:BIT_NR 8` indicating that incoming waveform data uses 8 bits per waveform point.

## WFMinpre:BN\_Fmt

Sets or returns the format of binary data for incoming waveforms.

**Group** Waveform Transfer

**Syntax** `WFMinpre:BN_Fmt {RI|RP}`  
`WFMinpre:BN_Fmt?`

**Related Commands** [WFMOutpre:BN\\_Fmt](#)

**Arguments** RI specifies signed integer data point representation.

RP specifies positive integer data point representation.

**Examples** `WFMINPRE:BN_FMT RP` specifies positive integer data point representation.

`WFMINPRE:BN_FMT?` might return `:WFMINPRE:BN_FMT RI` indicating that the incoming data is currently interpreted as signed integers.

## WFMinpre:BYT\_Nr

Sets or returns the data width for the incoming waveform. Changing the value of [WFMinpre:BYT\\_Nr](#) also changes the value of [WFMinpre:BIT\\_Nr](#).

**Group** Waveform Transfer

**Syntax** `WFMinpre:BYT_Nr <NR1>`  
`WFMinpre:BYT_Nr?`

**Related Commands** [WFMinpre:BIT\\_Nr](#)

**Arguments** <NR1> is the number of bytes per data point and can be 1 or 2.

**Examples** WFMINPRE:BYT\_NR 1 sets the number of bytes per incoming waveform data point to 1, which is the default setting.

WFMINPRE:BYT\_NR? might return :WFMINPRE:BYT\_NR 2 indicating that there are 2 bytes per incoming waveform data point.

## WFMInpre:BYT\_Or

Sets or returns which byte of binary waveform data is expected first for incoming waveform data when data points require than one byte. This specification only has meaning when [WFMInpre:ENCdg](#) is set to BIN and [WFMInpre:BYT\\_Nr](#) is 2.

**Group** Waveform Transfer

**Syntax** WFMInpre:BYT\_Or {LSB|MSB}  
WFMInpre:BYT\_Or?

**Related Commands** [WFMInpre:ENCdg](#), [WFMInpre:BYT\\_Nr](#), [WFMOutpre:BYT\\_Or](#)

**Arguments** LSB specifies that the least significant byte will be expected first.

MSB specifies that the most significant byte will be expected first.

**Examples** WFMINPRE:BYT\_OR MSB sets the most significant incoming byte of incoming waveform data to be expected first.

WFMINPRE:BYT\_OR? might return :WFMINPRE:BYT\_OR LSB indicating that the least significant incoming CURVe data byte will be expected first.

## WFMInpre:ENCdg

Sets or returns the type of encoding for incoming waveform data.

**Group** Waveform Transfer

**Syntax** WFMInpre:ENCdg {ASCIi|BINary}  
WFMInpre:ENCdg?

**Related Commands** [WFMOutpre:ENCdg](#)

**Arguments** `ASCIi` specifies that the incoming data is in ASCII format.  
`BINary` specifies that the incoming data is in a binary format whose further interpretation requires knowledge of `BYT_NR`, `BIT_NR`, `BN_FMT`, and `BYT_OR`.

**Examples** `WFMINPRE:ENCDG ASC` sets the format of incoming waveform data to ASCII format.  
`WFMINPRE:ENCDG ?` might return `:WFMINPRE:ENCDG BIN` indicating that the incoming waveform data is in binary format.

## WFMInpre:NR\_Pt

Sets or returns the number of data points that are in the incoming waveform record.

**Group** Waveform Transfer

**Syntax** `WFMInpre:NR_Pt <NR1>`  
`WFMInpre:NR_Pt?`

**Related Commands** [CURVe](#), [DATA](#), [DATA:START](#), [DATA:STOP](#), [SAVE:WAVEform](#), [SAVE:WAVEform:FILEFormat](#), [WFMOutpre:NR\\_Pt?](#)

**Arguments** `<NR1>` is the number of data points if `WFMInpre:PT_Fmt` is set to `Y`. It is the number of min-max pairs if `WFMInpre:PT_Fmt` is set to `ENV`.

**Examples** `WFMINPRE:NR_PT 10000` specifies that 10000 data points will be expected.  
`WFMINPRE:NR_PT ?` might return `:WFMINPRE:NR_PT 10000` indicating that there are 10000 data points in the expected incoming waveform record.

## WFMInpre:PT\_Fmt

Sets or returns the point format of the incoming waveform data. Regardless of the argument used, the scale, offset, and so on are interpreted similarly. When `ENV` is used, waveform data is interpreted over the min-max pair; when `Y` is used, it is interpreted over a single point.

<b>Group</b>	Waveform Transfer
<b>Syntax</b>	WFMinpre:PT_Fmt {ENV Y} WFMinpre:PT_Fmt?
<b>Related Commands</b>	<a href="#">WFMOutpre:PT_Fmt?</a>
<b>Arguments</b>	<p>ENV specifies that the waveform is transmitted in envelope mode as maximum and minimum point pairs. Only Y values are explicitly transmitted. Absolute coordinates are given by:</p> $X_n = XZERO + XINCR (n - PT\_Off)$ $Y_{nmax} = YZERO + YMULT (ynmax - YOFf)$ $Y_{nmin} = YZERO + YMULT (ynmin - YOFf)$ <p>Y specifies a normal waveform where one ASCII or binary data point is transmitted for each point in the waveform record. Only Y values are explicitly transmitted. Absolute coordinates are given by:</p> $X_n = XZERO + XINCR (n - PT\_Off)$ $Y_n = YZERO + YMULT (yn - YOFf)$
<b>Examples</b>	<p>WFMINPRE:PT_FMT ENV sets the incoming waveform data point format to enveloped.</p> <p>WFMINPRE:PT_FMT? might return :WFMINPRE:PT_FMT ENV indicating that the waveform is transmitted as maximum and minimum point pairs.</p>

## WFMinpre:PT\_Off

The set form of this command is ignored. The query form always returns a 0. This command is listed for compatibility with other Tektronix oscilloscopes.

<b>Group</b>	Waveform Transfer
<b>Syntax</b>	WFMinpre:PT_Off <NR1> WFMinpre:PT_Off?
<b>Arguments</b>	Arguments are ignored.

## WFMInpre:XINcr

Sets or returns the horizontal interval between incoming waveform points in units specified by WFMInpre:XUNit.

**Group** Waveform Transfer

**Syntax** WFMInpre:XINcr <NR3>  
WFMInpre:XINcr?

**Related Commands** [WFMInpre:XUNit](#), [WFMOutpre:XINcr?](#)

**Arguments** <NR3> is the horizontal interval representation.

**Examples** WFMInpre:XINcr 3E-3 sets the interval between incoming waveform points to 3 ms.

WFMInpre:XINcr ? might return :WFMInpre:XINcr 1.0000E-3 indicating that if WFMInpre:XUNit is set to "s", there is a 1 ms interval between incoming waveform points.

## WFMInpre:XUNit

Sets or returns the horizontal units of the incoming waveform.

Supported units are:

%, /Hz, A, A/A, A/V, A/W, A/dB, A/s, AA, AW, AdB, As, B, Hz, IRE, S/s, V, V/A, V/V, V/W, V/dB, V/s, VV, VW, VdB, Volts, Vs, W, W/A, W/V, W/W, W/dB, W/s, WA, WV, WW, WdB, Ws, dB, dB/A, dB/V, dB/W, dB/dB, dBA, dBV, dBW, dBdB, day, degrees, div, hr, min, ohms, percent, s

**Group** Waveform Transfer

**Syntax** WFMInpre:XUNit <QString>  
WFMInpre:XUNit?

**Related Commands** [WFMOutpre:XUNit?](#)

**Arguments** <QString> contains a maximum of three alpha characters that represent the horizontal unit of measure for the incoming waveform.

**Examples**      `WFMINPRE:XUNIT "HZ"` specifies that the horizontal units for the incoming waveform are hertz.

`WFMINPRE:XUNIT?` might return `:WFMINPRE:XUNIT "s"` indicating that the horizontal units for the incoming waveform are seconds.

## WFMinpre:XZEro

Sets or returns the position value, in XUNits, of the first sample of the incoming waveform.

**Group**          Waveform Transfer

**Syntax**        `WFMinpre:XZEro <NR3>`  
`WFMinpre:XZEro?`

**Related Commands**    [WFMinpre:XINcr](#), [WFMinpre:XUNit](#), [WFMinpre:XZEro?](#)

**Arguments**      `<NR3>` argument is the floating point value of the position, in XUNits, of the first sample in the incoming waveform. If XUNits is "s", `<NR3>` is the time of the first sample in the incoming waveform.

**Examples**        `WFMINPRE:XZERO 5.7E-6`, which indicates the trigger occurred 5.7  $\mu$ s before the first sample in the waveform.

`WFMINPRE:XZERO?` might return `:WFMINPRE:XZEro -7.5000E-6` indicating that the trigger occurs 7.5  $\mu$ s after the first sample in the waveform.

## WFMinpre:YMUlt

Sets or returns the vertical scale factor of the incoming waveform, expressed in YUNits per waveform data point level. For one byte waveform data, there are 256 data point levels. For two byte waveform data there are 65,536 data point levels.

YMUlt, YOFF, and YZEro are used to convert waveform record values to YUNit values using the following formula (where `dl` is the data level; `curve_in_dl` is a data point in CURVe):

$$\text{value\_in\_units} = ((\text{curve\_in\_dl} - \text{YOFF\_in\_dl}) * \text{YMUlt}) + \text{YZero\_in\_units}$$

---

**NOTE.** For a given waveform record, YMUlt, YOFF, and YZEro have to be a consistent set, otherwise vertical cursor readouts and vertical measurements may give incorrect results.

---

<b>Group</b>	Waveform Transfer
<b>Syntax</b>	WFMInpre:YMUlt <NR3> WFMInpre:YMUlt?
<b>Related Commands</b>	<a href="#">DATA:DESTination</a> , <a href="#">WFMInpre:BYT_Nr</a> , <a href="#">WFMInpre:YUNit</a>
<b>Arguments</b>	<NR3> is the vertical scale factor per digitizing level of the incoming waveform points.
<b>Examples</b>	<p>WFMINPRE:YMULT? might return :WFMINPRE:YMULT 40.0000E-3, which (if YUNit is "V") indicates that the vertical scale is 40 mV/digitizing level (1V/div for 8-bit data).</p> <p>WFMINPRE:YMULT 20E-3 specifies that (if WFMInpre:YUNit is "V" and WFMInpre:BYT_Nr is 1), the vertical scale is 20 mV/digitizing level (500 mV/div).</p>

## WFMInpre:YOff

Sets or returns the vertical position of the incoming waveform in digitizing levels. Variations in this number are analogous to changing the vertical position of the waveform.

YMUlt, YOff, and YZEro are used to convert waveform record values to YUNit values using the following formula (where dl is the data level; curve\_in\_dl is a data point in CURVe):

$$\text{value\_in\_units} = ((\text{curve\_in\_dl} - \text{YOff\_in\_dl}) * \text{YMUlt}) + \text{YZEro\_in\_units}$$

---

**NOTE.** For a given waveform record, YMUlt, YOff, and YZEro have to be a consistent set, otherwise vertical cursor readouts and vertical measurements may give incorrect results.

---

<b>Group</b>	Waveform Transfer
<b>Syntax</b>	WFMInpre:YOff <NR3> WFMInpre:YOff?
<b>Related Commands</b>	<a href="#">WFMInpre:BYT_Nr</a> , <a href="#">WFMInpre:YMUlt</a> , <a href="#">WFMOutpre:YOff?</a>

**Arguments** <NR3> is the vertical offset in digitizing levels.

**Examples** WFMINPRE:YOFF 50 specifies that the zero reference point for the incoming waveform is 50 digitizing levels (2 divisions, for 8-bit data) above the center of the data range.

WFMINPRE:YOFF? might return :WFMINPRE:YOFF 25 indicating the vertical position of the incoming waveform in digitizing levels.

## WFMInpre:YUNit

Sets or returns the vertical units of the incoming waveform.

Supported units are: %, /Hz, A, A/A, A/V, A/W, A/dB, A/s, AA, AW, AdB, As, B, Hz, IRE, S/s, V, V/A, V/V, V/W, V/dB, V/s, VV, VW, VdB, Volts, Vs, W, W/A, W/V, W/W, W/dB, W/s, WA, WV, WW, WdB, Ws, dB, dB/A, dB/V, dB/W, dB/dB, dBA, dBV, dBW, dBdB, day, degrees, div, hr, min, ohms, percent, s

**Group** Waveform Transfer

**Syntax** WFMInpre:YUNit <QString>  
WFMInpre:YUNit?

**Related Commands** [WFMOutpre:YUNit?](#)

**Arguments** <QString> contains a maximum of three alpha characters that represent the vertical unit of measure for the incoming waveform.

**Examples** WFMINPRE:YUNIT? might return :WFMINPRE:YUNIT "V" indicating the vertical units for the incoming waveform are volts.

WFMINPRE:YUNIT "A" specifies that the vertical units for the incoming waveform are Amperes.

## WFMInpre:YZEro

Sets or returns the vertical offset of the incoming waveform in units specified by WFMInpre:YUNit. Variations in this number are analogous to changing the vertical offset of the waveform.

YMUlt, YOFF, and YZEro are used to convert waveform record values to YUNit values using the following formula (where dl is the data level; curve\_in\_dl is a data point in CURVe):



$$\text{value\_in\_units} = ((\text{curve\_in\_dl} - \text{YOff\_in\_dl}) * \text{YMult}) + \text{YZero\_in\_units}$$


---

**NOTE.** For a given waveform record, *YMult*, *YOff*, and *YZero* have to be a consistent set, otherwise vertical cursor readouts and vertical measurements may give incorrect results.

---

<b>Group</b>	Waveform Transfer
<b>Syntax</b>	WFMInpre:YZero <NR3> WFMInpre:YZero?
<b>Related Commands</b>	<a href="#">WFMInpre:YUNit</a> , <a href="#">WFMOutpre:YZero?</a>
<b>Arguments</b>	<NR3> is the offset in YUNits.
<b>Examples</b>	<p>WFMINPRE:YZERO 1.5E+0 specifies that the zero reference point for the incoming waveform is 1.5 V below the center of the data range (given that WFMInpre:YUNit is set to V).</p> <p>WFMINPRE:YZERO? might return :WFMINPRE:YZero 7.5000E-6 indicating that the zero reference for the incoming waveform is 7.5 μV below the center of the data range (given that WFMInpre:YUNit is set to V).</p>

## WFMOutpre? (Query Only)

Returns waveform transmission and formatting parameters for the waveform specified by [DATA:SOURce](#) command. If the waveform specified by the [DATA:SOURce](#) command is not displayed, the oscilloscope returns only the waveform transmission parameters (BYT\_Nr, BIT\_Nr, ENCDg, BN\_Fmt, BYT\_Or).

<b>Group</b>	Waveform Transfer
<b>Syntax</b>	WFMOutpre?
<b>Examples</b>	<p>WFMOUTPRE? ? might return the waveform formatting data as:</p> <pre>:WFMOUTPRE:BYT_NR 2;BIT_NR 16;ENCDG ASCII;BN_FMT RI;BYT_OR MSB;WFID "Ch1, DC coupling, 100.0mV/div, 4.000us/div, 10000 points, Sample mode";NR_PT 10000;PT_FMT Y;XUNIT "s";XINCR</pre>

```
4.0000E-9;XZERO - 20.0000E-6;PT_OFF 0;YUNIT "V";YMULT
15.6250E-6;YOFF : "6.4000E+3;YZERO 0.0000
```

## WFMOutpre:BIT\_Nr

Sets and returns the number of bits per waveform point that outgoing waveforms contain, as specified by the [DATA:SOURce](#) command. Changing the value of [WFMOutpre:BIT\\_Nr](#) also changes the values of [WFMOutpre:BYT\\_Or](#) and .

**Group** Waveform Transfer

**Syntax** WFMOutpre:BIT\_Nr <NR1>  
WFMOutpre:BIT\_Nr?

**Related Commands** [DATA:SOURce](#) , [WFMOutpre:BN\\_Fmt](#)

**Arguments** <NR1> is the number of bits per data point and can be 8 or 16.

**Examples** WFMOUTPRE:BIT\_NR 16 sets the number of bits per waveform point to 16 for outgoing waveforms.

WFMOUTPRE:BIT\_NR? might return :WFMOUTPRE:BIT\_NR 8 indicating that outgoing waveforms use 8 bits per waveform point.

## WFMOutpre:BN\_Fmt

Sets or returns the format of binary data for outgoing waveforms specified by the [DATA:SOURce](#) command. Changing the value of [WFMOutpre:BN\\_Fmt](#) also changes the value of [DATA:ENCdg](#).

**Group** Waveform Transfer

**Syntax** WFMOutpre:BN\_Fmt {RI|RP}  
WFMOutpre:BN\_Fmt?

**Related Commands** [DATA:ENCdg](#), [DATA:SOURce](#)

**Arguments** RI specifies signed integer data point representation.  
RP specifies positive integer data point representation.

**Examples** `WFMOU

```
PRE
````:BN\_FMT RP specifies that outgoing waveform data will be in positive integer format.

`WFMOU

```
PRE
````:BN\_FMT? might return `:WFMOU

```
PRE
````:BN\_FMT RI indicating that the outgoing waveform data is currently in signed integer format.

## WFMOU ``` pre ``` :BYT\_Nr

Sets or returns the data width for the outgoing waveform specified by the `DATA:SOURCE` command. Changing `WFMOU

```
pre
```

:BYT_Nr` also changes `WFMOU

```
pre
```

:BIT_Nr` and .

**Group** Waveform Transfer

**Syntax** `WFMOU

```
pre
```

:BYT_Nr <NR1>`  
`WFMOU

```
pre
```

:BYT_Nr?`

**Related Commands** `DATA:SOURCE`, , `WFMOU

```
pre
```

:BIT_Nr`

**Arguments** `<NR1>` is the number of bytes per data point and can be 1 or 2.

**Examples** `WFMOU

```
PRE
````:BYT\_NR 1 sets the number of bytes per outgoing waveform data point to 1, which is the default setting.

`WFMOU

```
PRE
````:BYT\_NR? might return `:WFMOU

```
PRE
````:BYT\_NR 2 indicating that there are 2 bytes per outgoing waveform data point.

## WFMOU ``` pre ``` :BYT\_Or

Sets or returns which byte of binary waveform data is transmitted first, during a waveform data transfer, when data points require than one byte. This specification only has meaning when `WFMOU

```
pre
```

:ENCdg` is set to BIN and `WFMOU

```
pre
```

:BYT_Nr` is 2. Changing `WFMOU

```
pre
```

:BYT_Or` also changes `DATA:ENCdg` (if `DATA:ENCdg` is not ASCII).

**Group** Waveform Transfer

**Syntax** `WFMOU

```
pre
```

:BYT_Or {LSB|MSB}`  
`WFMOU

```
pre
```

:BYT_Or?`

|                         |   |
|-------------------------|---|
| <b>Related Commands</b> | <a href="#">WFMOutpre:ENCdg</a> , <a href="#">WFMOutpre:BYT_Nr</a>  |
| <b>Arguments</b>        | LSB specifies that the least significant byte will be transmitted first.<br>MSB specifies that the most significant byte will be transmitted first.   |
| <b>Examples</b>         | WFMOUTPRE:BYT_OR MSB sets the most significant outgoing byte of waveform data to be transmitted first.<br>WFMOUTPRE:BYT_OR? might return :WFMOUTPRE:BYT_OR LSB indicating that the least significant data byte will be transmitted first. |

## WFMOutpre:ENCdg

Sets and queries the type of encoding for outgoing waveforms.

|                         |   |
|-------------------------|---|
| <b>Group</b>            | Waveform Transfer   |
| <b>Syntax</b>           | WFMOutpre:ENCdg {ASCIi BINary}<br>WFMOutpre:ENCdg?  |
| <b>Related Commands</b> | <a href="#">DATA:ENCdg</a> , <a href="#">WFMOutpre:BYT_Nr</a> , <a href="#">WFMOutpre:BYT_Or</a> ,<br><a href="#">WFMOutpre:BIT_Nr</a> , <a href="#">WFMOutpre:BN_Fmt</a>   |
| <b>Arguments</b>        | ASCIi specifies that the outgoing data is to be in ASCII format. Waveforms will be sent as <NR1> numbers.<br>BINary specifies that outgoing data is to be in a binary format whose further specification is determined by <a href="#">WFMOutpre:BYT_Nr</a> , <a href="#">WFMOutpre:BIT_Nr</a> , <a href="#">WFMOutpre:BN_Fmt</a> and <a href="#">WFMOutpre:BYT_Or</a> . |
| <b>Examples</b>         | WFMOUTPRE:ENCDG? might return :WFMOUTPRE:ENCDG BIN indicating that outgoing waveform data will be sent in binary format.<br>WFMOUTPRE:ENCDG ASC specifies that the outgoing waveform data will be sent in ASCII format.   |

## WFMOutpre:FRACTIONal? (Query Only)

The set form of this command is ignored. The query form always returns a 0, if the waveform specified by DATA:SOURce is on or displayed. If the waveform

is not displayed, the query form generates an error and returns event code 2244. This command is for compatibility with other Tektronix oscilloscopes.

**Group** Waveform Transfer

**Syntax** WFMOutpre:FRACTIONal?

**Related Commands** [DATA:SOURce](#)

**Arguments** Arguments are ignored.

### WFMOutpre:NR\_Pt? (Query Only)

Returns the number of points for the [DATA:SOURce](#) waveform that will be transmitted in response to a [CURVe?](#) query. The query command will time out and an error will be generated if the waveform specified by [DATA:SOURce](#) is not turned on.

**Group** Waveform Transfer

**Syntax** WFMOutpre:NR\_Pt?

**Related Commands** [CURVe](#), [DATA](#), [DATA:START](#), [DATA:STOP](#), [SAVE:WAVEform](#), [SAVE:WAVEform:FILEFormat](#), [WFMinpre:NR\\_Pt](#)

**Examples** WFMOUTPRE:NR\_PT? might return :WFMOUTPRE:NR\_PT 10000 indicating that there are 10000 data points to be sent.

### WFMOutpre:PT\_Fmt? (Query Only)

Returns the point format for the outgoing waveform specified by the [DATA:SOURce](#) command. Returned values are either ENV, which indicates envelope mode format in which the data is returned as a series of min/max pairs, or Y, which indicates normal waveform points. The query command will time out and an error will be generated if the waveform specified by [DATA:SOURce](#) is not turned on.

**Group** Waveform Transfer

**Syntax**      `WFMOutpre:PT_Fmt?`

**Related Commands**      [CURVe](#), [DATA:SOUrce](#)

**Examples**      `WFMOUTPRE:PT_FMT?` might return `:WFMOutpre:PT_Fmt ENV` indicating that the waveform data is a series of min-max pairs.

## WFMOutpre:PT\_Off? (Query Only)

The set form of this command is ignored. The query form always returns a 0, if the waveform specified by `DATA:SOUrce` is on or displayed. If the waveform is not displayed, the query form generates an error and returns event code 2244. This command is for compatibility with other Tektronix oscilloscopes.

**Group**      Waveform Transfer

**Syntax**      `WFMOutpre:PT_Off?`

**Related Commands**      [DATA:SOUrce](#)

**Arguments**      Arguments are ignored.

**Examples**      `WFMOUTPRE:PT_OFF?` might return `WFMOUTPRE:PT_OFF 0` indicating that the waveform specified by `DATA:SOURCE` is on or displayed.

## WFMOutpre:PT\_ORder? (Query Only)

This query is for compatibility with other Tektronix oscilloscopes and always returns `LINEAR`.

**Group**      Waveform Transfer

**Syntax**      `WFMOutpre:PT_Order?`

**Related Commands**      [DATA:SOUrce](#)

**Examples**      `WFMOUTPRE:PT_ORDER?` returns `:WFMOUTPRE:PT_ORDER LINEAR`.

## WFMOutpre:WFId? (Query Only)

Returns a string describing several aspects of the acquisition parameters for the waveform specified by the **DATA:SOURce** command. The query command will time out and an error will be generated if the waveform specified by **DATA:SOURce** is not turned on.

**Group** Waveform Transfer

**Syntax** WFMOutpre:WFId?

**Related Commands** [DATA:SOURce](#)

**Returns** <QString> comprises the following comma-separated fields documented in the tables below:

**Table 2-44: Waveform Suffixes**

| Field            | Description  | Examples  |
|------------------|--|---|
| Source           | The source identification string as it appears in the front-panel scale factor readouts.   | "CH1-4"<br>"Math1"<br>"Ref1-4"  |
| Coupling         | A string describing the vertical coupling of the waveform (the Source1 waveform in the case of Dual Waveform Math).  | "AC coupling"<br>"DC coupling"<br>"GND coupling"  |
| Vert Scale       | A string containing the vertical scale factor of the unzoomed waveform. The numeric portion will always be four digits. The examples cover all known internal units.   | "100.0 mV/div"<br>"20.00 dB/div"<br>"45.00 deg/div"<br>"785.4 mrad/div"<br>"500.0 µVs/div"<br>"10.00 kV/s/div"<br>"200.0 mV/div"<br>"50.00 unk/div" |
| Horiz Scale      | A string containing the horizontal scale factor of the unzoomed waveform. The numeric portion will always be four digits. The examples cover all known internal units. | "100 ms/div"<br>"10.00 kHz/div"   |
| Record Length    | A string containing the number of waveform points available in the entire record. The numeric portion is given as an integer.  | "1000 points"<br>"1000000 points"   |
| Acquisition Mode | A string describing the mode used to acquire the waveform.   | "Sample mode"<br>"Pk Detect mode"<br>"Envelope mode"<br>"Average mode"  |

**Examples** WFMOUTPRE:WFID? might return :WFMOUTPRE:WFID "Ch1, DC coupling,100.0mVolts/div,500.0µs/div, 1000 points, Sample mode"

## WFMOutpre:XINcr? (Query Only)

Returns the horizontal point spacing in units of WFMOutpre:XUNit for the waveform specified by the [DATA:SOURce](#) command. This value corresponds to the sampling interval. The query command will time out and an error will be generated if the waveform specified by [DATA:SOURce](#) is not turned on.

**Group** Waveform Transfer

**Syntax** WFMOutpre:XINcr?

**Related Commands** [DATA:SOURce](#), [WFMOutpre:XUNit?](#)

**Examples** WFMOUTPRE:XINCR? might return :WFMOUTPRE:XINCR 10.0000E-6 indicating that the horizontal sampling interval is 10 µs/point.

## WFMOutpre:XUNit? (Query Only)

Returns the horizontal units for the waveform specified by the [DATA:SOURce](#) command. The query command will time out and an error will be generated if the waveform specified by [DATA:SOURce](#) is not turned on.

**Group** Waveform Transfer

**Syntax** WFMOutpre:XUNit?

**Related Commands** [DATA:SOURce](#)

**Examples** WFMOUTPRE:XUNIT? might return :WFMOUTPRE:XUNIT "HZ" indicating that the horizontal units for the waveform are in Hertz.

## WFMOutpre:XZEro? (Query Only)

Returns the time coordinate of the first point in the outgoing waveform.



This value is in units of [WFMOutpre:XUNit?](#). The query command will time out and an error will be generated if the waveform specified by [DATA:SOURce](#) is not turned on.

**Group** Waveform Transfer

**Syntax** WFMOutpre:XZErO?

**Related Commands** [DATA:SOURce](#), [WFMOutpre:XUNit?](#)

**Examples** WFMOUTPRE:XZERO? might return :WFMOUTPRE:XZERO 5.6300E-9 indicating that the trigger occurred 5.63 ns before the first sample in the waveform record.

## WFMOutpre:YMUIt? (Query Only)

Returns the vertical scale factor per digitizing level in units specified by [WFMOutpre:YUNit](#) for the waveform specified by the [DATA:SOURce](#) command. The query command will time out and an error is generated if the waveform specified by [DATA:SOURce](#) is not turned on.

See the description of [WFMinpre:YMUIt](#) to see how this scale factor is used to convert waveform sample values to volts.

**Group** Waveform Transfer

**Syntax** WFMOutpre:YMUIt?

**Related Commands** [DATA:SOURce](#), [WFMinpre:YMUIt](#)

**Examples** WFMOUTPRE:YMULT? might return :WFMOUTPRE:YMULT 4.0000E-3 indicating that the vertical scale for the corresponding waveform is 100 mV/div (for 8-bit waveform data).

## WFMOutpre:YOFf? (Query Only)

Returns the vertical position in digitizing levels for the waveform specified by the [DATA:SOURce](#) command. The query command will time out and an error will be generated if the waveform specified by [DATA:SOURce](#) is not turned on.

See the description of [WFMinpre:YOff](#) to see how this position is used to convert waveform sample values to volts.

**Group** Waveform Transfer

**Syntax** WFMOutpre:YOff?

**Related Commands** [DATA:SOURce](#), [WFMOutpre:BYT\\_Nr](#)

**Examples** WFMOUTPRE:YOFF? might return :WFMOUTPRE:YOFF -50.0000E+0 indicating that the position indicator for the waveform was 50 digitizing levels (2 divisions) below center screen (for 8-bit waveform data).

## WFMOutpre:YUNit? (Query Only)

Returns the vertical units for the waveform specified by the [DATA:SOURce](#) command. The query command will time out and an error will be generated if the waveform specified by [DATA:SOURce](#) is not turned on.

**Group** Waveform Transfer

**Syntax** WFMOutpre:YUNit?

**Related Commands** [DATA:SOURce](#)

**Examples** WFMOUTPRE:YUNIT? might return :WFMOUTPRE:YUNIT "dB" indicating that the vertical units for the waveform are measured in decibels.

## WFMOutpre:YZEro? (Query Only)

Returns the vertical offset in units specified by [WFMOutpre:YUNit?](#) for the waveform specified by the [DATA:SOURce](#) command. The query command will time out and an error will be generated if the waveform specified by [DATA:SOURce](#) is not turned on.

See the description of [WFMinpre:YZEro](#) to see how this offset is used to convert waveform sample values to volts.

**Group** Waveform Transfer

**Syntax** WFMOutpre:YZero?

**Related Commands** [DATA:SOUrce](#), [WFMOutpre:YUNit?](#)

**Examples** WFMOUTPRE:YZERO? might return :WFMOUTPRE:YZERO -100.0000E-3 indicating that vertical offset is set to -100 mV.

## ZOOM? (Query Only)

Returns the current vertical and horizontal positioning and scaling of the display.

**Group** Zoom

**Syntax** ZOOM?

**Examples** ZOOM? might return :ZOOM:MODE 1;GRATICULE:SIZE 80;SPLIT EIGHTYTWENTY;;ZOOM:ZOOM1:STATE 1;SCALE 400. 0000E-12;POSITION 46.8986;FACTOR 50.0000E+3;HORIZONTAL:POSITION 46.8986;SCALE 40 0.0000E-12

## ZOOM:MODE

Turns Zoom mode on or off. The Zoom query returns the current state of Zoom mode. This command is equivalent to pressing the zoom button located on the front panel.

**Group** Zoom

**Syntax** ZOOM:MODE {ON|OFF|<NR1>}  
ZOOM:MODE

**Arguments** ON turns on Zoom mode.  
OFF turns off Zoom mode.  
<NR1> = 0 turns off Zoom mode; any other value turns on Zoom mode.

**Examples** ZOOM:MODE OFF turns off Zoom mode.  
ZOOM:MODE? might return :ZOOM:MODE 1 indicating that Zoom mode is currently turned on.

## ZOOM:ZOOM<x>? (Query Only)

Returns the current vertical and horizontal positioning and scaling of the display. <x> can only be 1.

**Group** Zoom

**Syntax** ZOOM:ZOOM<x>?

**Examples** ZOOM:ZOOM1? might return :ZOOM:ZOOM1:STATE 1;SCALE 400.0000E-12;POSITION 46.8986;FACTOR 50.0000E+3;HORIZONTAL:POSITION 46.8986;SCALE 400.0000E-12.

## ZOOM:ZOOM<x>:FACTOR? (Query Only)

Returns the zoom factor of a particular zoom box. <x> can only be 1.

**Group** Zoom

**Syntax** ZOOM:ZOOM<x>:FACTOR?

**Returns** <NR1> is the zoom factor of a zoom box.

## ZOOM:ZOOM<x>:POSITION

Sets the horizontal position of the zoom box, in terms of 0 to 100.0% of upper window. <x> can only be 1.

**Group** Zoom

**Syntax** ZOOM:ZOOM<x>:POSITION <NR3>  
ZOOM:ZOOM<x>:POSITION?

**Arguments** <NR3> is the horizontal position as a percent of the upper window.

## ZOOM:ZOOM<x>:SCALE

Sets or returns the horizontal scale of the zoom box. <x> can only be 1.

**Group** Zoom

**Syntax** ZOOM:ZOOM<x>:SCALE <NR3>  
ZOOM:ZOOM<x>:SCALE?

**Arguments** <NR3> is the horizontal scale of the zoom box.

## ZOOM:ZOOM<x>:STATE

Sets or returns the specified zoom on or off, where x is the integer 1 representing the single zoom window. <x> can only be 1.

**Group** Zoom

**Syntax** ZOOM:ZOOM<x>:STATE {ON|OFF|<NR1>}  
ZOOM:ZOOM<x>:STATE?

**Arguments** ON turns Zoom 1 on.  
OFF turns Zoom 1 off.  
<NR1> = 0 disables the specified zoom; any other value enables the specified zoom.

**Examples** ZOOM:ZOOM1:STATE ON turns Zoom1 on.  
ZOOM:ZOOM1:STATE? might return :ZOOM:ZOOM1:STATE 1 indicating that Zoom1 is on.



# Status and Events

The oscilloscope provides a status and event reporting system for the Ethernet, GPIB (with the TEK-USB-488 Adapter), and USB interfaces. This system informs you of certain significant events that occur within the oscilloscope.

The oscilloscope status handling system consists of five 8-bit registers and two queues for each interface. The remaining Status subtopics describe these registers and components. They also explain how the event handling system operates.

## Registers

### Overview

The registers in the event handling system fall into two functional groups:

- Status Registers contain information about the status of the oscilloscope. They include the Standard Event Status Register (SESR).
- Enable Registers determine whether selected types of events are reported to the Status Registers and the Event Queue. They include the Device Event Status Enable Register (DESER), the Event Status Enable Register (ESER), and the Service Request Enable Register (SRER).

### Status Registers

The Standard Event Status Register (SESR) and the Status Byte Register (SBR) record certain types of events that may occur while the oscilloscope is in use. IEEE Std 488.2-1987 defines these registers.

Each bit in a Status Register records a particular type of event, such as an execution error or message available. When an event of a given type occurs, the oscilloscope sets the bit that represents that type of event to a value of one. (You can disable bits so that they ignore events and remain at zero. See Enable Registers). Reading the status registers tells you what types of events have occurred.

**The Standard Event Status Register (SESR).** The SESR records eight types of events that can occur within the oscilloscope. Use the \*ESR? query to read the SESR register. Reading the register clears the bits of the register so that the register can accumulate information about new events.

---

**NOTE.** TekVISA applications use SESR bit 6 to respond to any of several events, including some front panel actions.

---

|     |     |     |     |     |     |     |     |
|-----|-----|-----|-----|-----|-----|-----|-----|
| 7   | 6   | 5   | 4   | 3   | 2   | 1   | 0   |
| PON | URQ | CME | EXE | DDE | QYE | RQC | OPC |

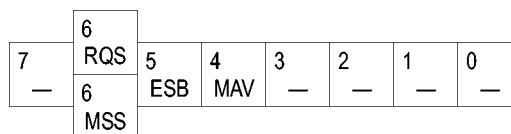
**Figure 3-1: The Standard Event Status Register (SESR)**

**Table 3-1: SESR Bit Functions**

| Bit     | Function |  |
|---------|----------|--|
| 7 (MSB) | PON      | Power On. Shows that the oscilloscope was powered on. On completion, the diagnostic self tests also set this bit.                                |
| 6       | URQ      | User Request. Indicates that an application event has occurred. *See note.   |
| 5       | CME      | Command Error. Shows that an error occurred while the oscilloscope was parsing a command or query.   |
| 4       | EXE      | Execution Error. Shows that an error executing a command or query.   |
| 3       | DDE      | Device Error. Shows that a device error occurred.  |
| 2       | QYE      | Query Error. Either an attempt was made to read the Output Queue when no data was present or pending, or that data in the Output Queue was lost. |
| 1       | RQC      | Request Control. This is not used.   |
| 0 (LSB) | OPC      | operation complete. Shows that the operation is complete. This bit is set when all pending operations complete following an *OPC command.        |

**The Status Byte Register (SBR).** Records whether output is available in the Output Queue, whether the oscilloscope requests service, and whether the SESR has recorded any events.

Use a Serial Poll or the \*STB? query to read the contents of the SBR. The bits in the SBR are set and cleared depending on the contents of the SESR, the Event Status Enable Register (ESER), and the Output Queue. When you use a Serial Poll to obtain the SBR, bit 6 is the RQS bit. When you use the \*STB? query to obtain the SBR, bit 6 is the MSS bit. Reading the SBR does not clear the bits.



**Figure 3-2: The Status Byte Register (SBR)**

**Table 3-2: SBR Bit Functions**

| Bit     | Function |  |
|---------|----------|--|
| 7 (MSB) | —        | Not used.  |
| 6       | RQS      | Request Service. Obtained from a serial poll. Shows that the oscilloscope requests service from the GPIB controller. |
| 6       | MSS      | Master Status Summary. Obtained from *STB? query. Summarizes the ESB and MAV bits in the SBR.                        |
| 5       | ESB      | Event Status Bit. Shows that status is enabled and present in the SESR.  |



**Table 3-2: SBR Bit Functions (cont.)**

| Bit | Function   |
|-----|--|
| 4   | MAV Message Available. Shows that output is available in the Output Queue. |
| 3   | Not used.  |
| 2   | Not used.  |
| 1-0 | Not used.  |

### Enable Registers

DESER, ESER, and SRER allow you to select which events are reported to the Status Registers and the Event Queue. Each Enable Register acts as a filter to a Status Register (the DESER also acts as a filter to the Event Queue) and can prevent information from being recorded in the register or queue.

Each bit in an Enable Register corresponds to a bit in the Status Register it controls. In order for an event to be reported to a bit in the Status Register, the corresponding bit in the Enable Register must be set to one. If the bit in the Enable Register is set to zero, the event is not recorded.

Various commands set the bits in the Enable Registers. The Enable Registers and the commands used to set them are described below.

**The Device Event Status Enable Register (DESER).** This register controls which types of events are reported to the SESR and the Event Queue. The bits in the DESER correspond to those in the SESR.

Use the DESE command to enable and disable the bits in the DESER. Use the DESE? query to read the DESER.

|     |     |     |     |     |     |     |     |
|-----|-----|-----|-----|-----|-----|-----|-----|
| 7   | 6   | 5   | 4   | 3   | 2   | 1   | 0   |
| PON | URQ | CME | EXE | DDE | QYE | RQC | OPC |

**Figure 3-3: The Device Event Status Enable Register (DESER)**

**The Event Status Enable Register (ESER).** This register controls which types of events are summarized by the Event Status Bit (ESB) in the SBR. Use the \*ESE command to set the bits in the ESER. Use the \*ESE? query to read it.

|     |     |     |     |     |     |     |     |
|-----|-----|-----|-----|-----|-----|-----|-----|
| 7   | 6   | 5   | 4   | 3   | 2   | 1   | 0   |
| PON | URQ | CME | EXE | DDE | QYE | RQC | OPC |

**Figure 3-4: The Event Status Enable Register (ESER)**

**The Service Request Enable Register (SRER).** This register controls which bits in the SBR generate a Service Request and are summarized by the Master Status Summary (MSS) bit.

Use the \*SRE command to set the SRER. Use the \*SRE? query to read the register. The RQS bit remains set to one until either the Status Byte Register is read with a Serial Poll or the MSS bit changes back to a zero.

|   |   |     |     |   |   |   |   |
|---|---|-----|-----|---|---|---|---|
| 7 | 6 | 5   | 4   | 3 | 2 | 1 | 0 |
| — | — | ESB | MAV | — | — | — | — |

**Figure 3-5: The Service Request Enable Register (SRER)**

**\*PSC Command** The \*PSC command controls the Enable Registers contents at power-on. Sending \*PSC 1 sets the Enable Registers at power on as follows:

- DESER 255 (equivalent to a DESe 255 command)
- ESER 0 (equivalent to an \*ESE 0 command)
- SRER 0 (equivalent to an \*SRE 0 command)

Sending \*PSC 0 lets the Enable Registers maintain their values in nonvolatile memory through a power cycle.

---

**NOTE.** To enable the PON (Power On) event to generate a Service Request, send \*PSC 0, use the DESe and \*ESE commands to enable PON in the DESER and ESER, and use the \*SRE command to enable bit 5 in the SRER. Subsequent power-on cycles will generate a Service Request.

---

## Queues

The \*PSC command controls the Enable Registers contents at power-on. Sending \*PSC 1 sets the Enable Registers at power on as follows:

**Output Queue** The oscilloscope stores query responses in the Output Queue and empties this queue each time it receives a new command or query message after an <EOM>. The controller must read a query response before it sends the next command (or query) or it will lose responses to earlier queries.




---

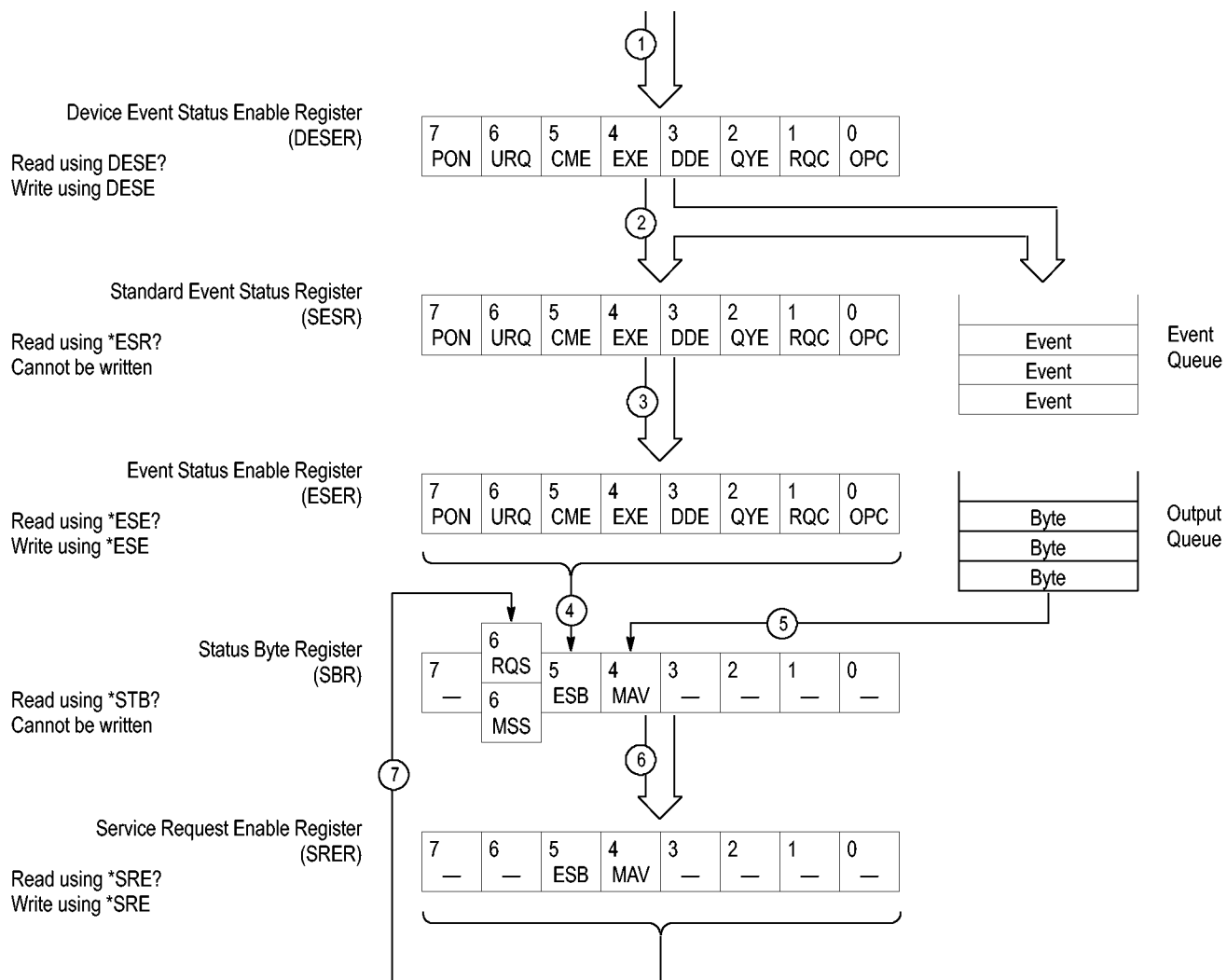
**CAUTION.** When a controller sends a query, an <EOM>, and a second query, the oscilloscope normally clears the first response and outputs the second while reporting a Query Error (QYE bit in the ESER) to indicate the lost response. A fast controller, however, may receive a part or all of the first response as well. To avoid this situation, the controller should always read the response immediately after sending any terminated query message or send a DCL (Device Clear) before sending the second query.

---

- Event Queue** The Event Queue stores detailed information on up to 33 events. If than 32 events stack up in the Event Queue, the 32nd event is replaced by event code 350, "Queue Overflow."
- Read the Event Queue with the `EVENT?` query (which returns only the event number), with the `EVMSG?` query (which returns the event number and a text description of the event), or with the `ALLEV?` query (which returns all the event numbers along with a description of the event). Reading an event removes it from the queue.
- Before reading an event from the Event Queue, you must use the `*ESR?` query to read the summary of the event from the SESR. This makes the events summarized by the `*ESR?` read available to the `EVENT?` and `EVMSG?` queries, and empties the SESR.
- Reading the SESR erases any events that were summarized by previous `*ESR?` reads but not read from the Event Queue. Events that follow an `*ESR?` read are put in the Event Queue but are not available until `*ESR?` is used again.

## Event Handling Sequence

The figure below shows how to use the status and event handling system. In the explanation that follows, numbers in parentheses refer to numbers in the figure.



**Figure 3-6: Status and Event Handling Process**

When an event occurs, a signal is sent to the DESER (1). If that type of event is enabled in the DESER (that is, if the bit for that event type is set to 1), the appropriate bit in the SESR is set to one, and the event is recorded in the Event Queue (2). If the corresponding bit in the ESER is also enabled (3), then the ESB bit in the SBR is set to one (4).

When output is sent to the Output Queue, the MAV bit in the SBR is set to one (5).

When a bit in the SBR is set to one and the corresponding bit in the SRER is enabled (6), the MSS bit in the SBR is set to one and a service request is generated (7).

## Synchronization Methods

**Overview** Although most commands are completed almost immediately after being received by the oscilloscope, some commands start a process that requires time. For example, once a single sequence acquisition command is executed, depending upon the applied signals and trigger settings, it may take a few seconds before the acquisition is complete. Rather than remain idle while the operation is in process, the oscilloscope will continue processing other commands. This means that some operations will not be completed in the order that they were sent.

Sometimes the result of an operation depends on the result of an earlier operation. A first operation must complete before the next one is processed. The oscilloscope status and event reporting system is designed to accommodate this process.

The Operation Complete (OPC) bit of the Standard Event Status Register (SESR) can be programmed to indicate when certain oscilloscope operations have completed and, by setting the Event Status Enable Register (ESER) to report OPC in the Event Status Bit (ESB) of the Status Byte Register (SBR) and setting the Service Request Enable Register (SRER) to generate service request upon a positive transition of the ESB, a service request (SRQ) interrupt can be generated when certain operations complete as described in this section.

The following oscilloscope operations can generate an OPC:

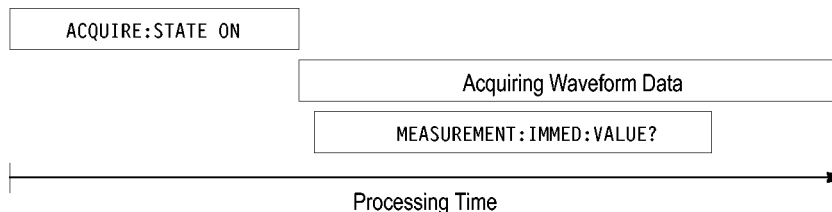
- :ACquire:STATE <non-zero nr1> | ON | only when in single sequence acquisition mode
- :CALibrate:FACTory START
  - :CALibrate:FACTory CONTinue
  - :CALibrate:FACTory PREVIOUS
- :HARDCopy
  - :HARDCopy START
- :DIAg:STATE EXECute
- :SAVe:IMAGe <file as quoted string>
- :SAVe:SETUp <file as quoted string>
- :RECALL:SETUp <file as quoted string>
- :SAVe:WAVEform <file as quoted string>
- :RECALL:WAVEform <file as quoted string>
- :CH<x>:PRObe:DEGAUss EXECute
  - :AUXin:PRObe:DEGAUss EXECute
- TEKSecure

For example, a typical application might involve acquiring a single-sequence waveform and then taking a measurement on the acquired waveform. You could use the following command sequence to do this:

```

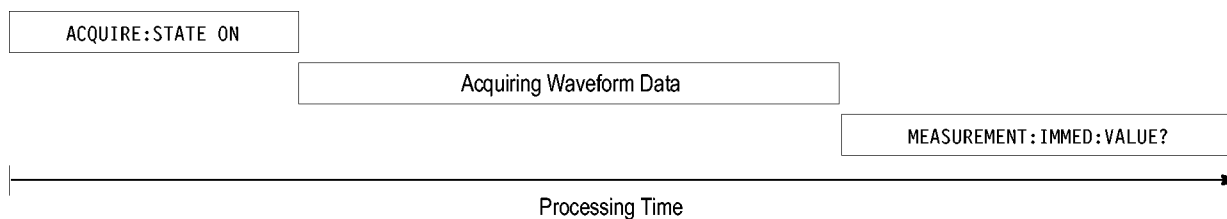
/** Set up conditional acquisition **/
ACQUIRE:STATE OFF
SELECT:CH1 ON
HORIZONTAL:RECORDLENGTH 1000
ACQUIRE:MODE SAMPLE
ACQUIRE:STOPAFTER SEQUENCE
/** Acquire waveform data **/
ACQUIRE:STATE ON
/** Set up the measurement parameters **/
MEASUREMENT:IMMED:TYPE AMPLITUDE
MEASUREMENT:IMMED:SOURCE CH1
/** Take amplitude measurement **/
MEASUREMENT:MEAS1:VALUE
    
```

The acquisition of the waveform requires extended processing time. It may not finish before the oscilloscope takes an amplitude measurement (see the following figure). This can result in an incorrect amplitude value.



**Figure 3-7: Command Processing Without Using Synchronization**

To ensure the oscilloscope completes waveform acquisition before taking the measurement on the acquired data, you can synchronize the program.



**Figure 3-8: Processing Sequence With Synchronization**

You can use four commands to synchronize the operation of the oscilloscope with your application program: \*WAI, BUSY, \*OPC, and \*OPC

**Using the \*WAI Command**

The \*WAI command forces completion of previous commands that generate an OPC message. No commands after the \*WAI are processed before the OPC message(s) are generated

The same command sequence using the \*WAI command for synchronization looks like this:

```

/* Set up conditional acquisition */
ACQUIRE:STATE OFF
SELECT:CH1 ON
HORIZONTAL:RECORDLENGTH 1000
ACQUIRE:MODE SAMPLE
ACQUIRE:STOPAFTER SEQUENCE
/* Acquire waveform data */
ACQUIRE:STATE ON
/* Set up the measurement parameters */
MEASUREMENT:IMMED:TYPE AMPLITUDE
MEASUREMENT:IMMED:SOURCE CH1
/* wait until the acquisition is complete before taking
the measurement*/
*/
*WAI
/* Take amplitude measurement */
MEASUREMENT:IMMED:VALUE

```

The controller can continue to write commands to the input buffer of the oscilloscope, but the commands will not be processed by the oscilloscope until all in-process OPC operations are complete. If the input buffer becomes full, the controller will be unable to write commands to the buffer. This can cause a time-out.

### Using the BUSY Query

The BUSY? query allows you to find out whether the oscilloscope is busy processing a command that has an extended processing time such as single-sequence acquisition.

The same command sequence, using the BUSY? query for synchronization, looks like this:

```

/* Set up conditional acquisition */
ACQUIRE:STATE OFF
SELECT:CH1 ON
HORIZONTAL:RECORDLENGTH 1000
ACQUIRE:MODE SAMPLE
ACQUIRE:STOPAFTER SEQUENCE
/* Acquire waveform data */
ACQUIRE:STATE ON
/* Set up the measurement parameters */
MEASUREMENT:IMMED:TYPE AMPLITUDE
MEASUREMENT:IMMED:SOURCE CH1
/* wait until the acquisition is complete before taking
the measurement */
while BUSY keep looping

```

```

/* Take amplitude measurement */
MEASUREMENT:IMMED:VALUE

```

This sequence lets you create your own wait loop rather than using the \*WAI command. The BUSY? query helps you avoid time-outs caused by writing too many commands to the input buffer. The controller is still tied up though, and the repeated BUSY? query will result in bus traffic.

### Using the \*OPC Command

If the corresponding status registers are enabled, the \*OPC command sets the OPC bit in the Standard Event Status Register (SESR) when an operation is complete. You achieve synchronization by using this command with either a serial poll or service request handler.

**Serial Poll Method:** Enable the OPC bit in the Device Event Status Enable Register (DESER) and the Event Status Enable Register (ESER) using the DESE and \*ESE commands.

When the operation is complete, the OPC bit in the Standard Event Status Register (SESR) will be enabled and the Event Status Bit (ESB) in the Status Byte Register will be enabled.

The same command sequence using the \*OPC command for synchronization with serial polling looks like this:

```

/* Set up conditional acquisition */
ACQUIRE:STATE OFF
SELECT:CH1 ON
HORIZONTAL:RECORDLENGTH 1000
ACQUIRE:MODE SAMPLE
ACQUIRE:STOPAFTER SEQUENCE
/* Enable the status registers */
DESE 1
*ESE 1
*SRE 0
/* Acquire waveform data */
ACQUIRE:STATE ON
/* Set up the measurement parameters */
MEASUREMENT:IMMED:TYPE AMPLITUDE
MEASUREMENT:IMMED:SOURCE CH1
/* wait until the acquisition is complete before taking the
measurement.*/
*OPC
while serial poll = 0, keep looping
/* Take amplitude measurement */
MEASUREMENT:IMMED:VALUE

```

This technique requires less bus traffic than did looping on BUSY.



**Service Request Method:** Enable the OPC bit in the Device Event Status Enable Register (DESER) and the Event Status Enable Register (ESER) using the DESE and \*ESE commands.

You can also enable service requests by setting the ESB bit in the Service Request Enable Register (SRER) using the \*SRE command. When the operation is complete, the oscilloscope will generate a Service Request.

The same command sequence using the \*OPC command for synchronization looks like this

```
/* Set up conditional acquisition */
ACQUIRE:STATE OFF
SELECT:CH1 ON
HORIZONTAL:RECORDLENGTH 1000
ACQUIRE:MODE SAMPLE
ACQUIRE:STOPAFTER SEQUENCE
/* Enable the status registers */
DESE 1
*ESE 1
*SRE 32
/* Acquire waveform data */
ACQUIRE:STATE ON
/* Set up the measurement parameters */
MEASUREMENT:IMMED:TYPE AMPLITUDE
MEASUREMENT:IMMED:SOURCE CH1
/* wait until the acquisition is complete before taking the
measurement*/
*OPC
```

The program can now do different tasks such as talk to other devices. The SRQ, when it comes, interrupts those tasks and returns control to this task.

```
/* Take amplitude measurement */
MEASUREMENT:IMMED:VALUE
```

This technique is efficient but requires sophisticated programming.

### Using the \*OPC? Query

The \*OPC? query places a 1 in the Output Queue once an operation that generates an OPC message is complete. A time out could occur if you try to read the output queue before there is any data in it.

The same command sequence using the \*OPC? query for synchronization looks like this:

```
/* Set up conditional acquisition */
ACQUIRE:STATE OFF
SELECT:CH1 ON
HORIZONTAL:RECORDLENGTH 1000
ACQUIRE:MODE SAMPLE
ACQUIRE:STOPAFTER SEQUENCE
```

```

/* Acquire waveform data */
ACQUIRE:STATE ON
/* Set up the measurement parameters */
MEASUREMENT:IMMED:TYPE AMPLITUDE
MEASUREMENT:IMMED:SOURCE CH1
/* wait until the acquisition is complete before taking the
measurement*/
*OPC

Wait for read from Output Queue.
/* Take amplitude measurement */
MEASUREMENT:IMMED:VALUE
    
```

This is the simplest approach. It requires no status handling or loops. However, you must set the controller time-out for longer than the acquisition operation.

**Messages**

The information contained in the topic tabs above covers all the programming interface messages the oscilloscope generates in response to commands and queries.

For most messages, a secondary message from the oscilloscope gives detail about the cause of the error or the meaning of the message. This message is part of the message string and is separated from the main message by a semicolon.

Each message is the result of an event. Each type of event sets a specific bit in the SESR and is controlled by the equivalent bit in the DESER. Thus, each message is associated with a specific SESR bit. In the message tables, the associated SESR bit is specified in the table title, with exceptions noted with the error message text.

**No Event**

The following table shows the messages when the system has no events or status to report. These have no associated SESR bit.

**Table 3-3: No Event Messages**

| Code | Message                                       |
|------|---|
| 0    | No events to report; queue empty              |
| 1    | No events to report; new events pending *ESR? |

**Command Error**

The following table shows the command error messages generated by improper syntax. Check that the command is properly formed and that it follows the rules in the section on command Syntax.

**Table 3-4: Command Error Messages (CME Bit 5)**

| Code | Message           |
|------|-------------------|
| 100  | Command error     |
| 101  | Invalid character |

**Table 3-4: Command Error Messages (CME Bit 5) (cont.)**

| <b>Code</b> | <b>Message</b>               |
|-------------|------------------------------|
| 102         | Syntax error                 |
| 103         | Invalid separator            |
| 104         | Data type error              |
| 105         | GET not allowed              |
| 108         | Parameter not allowed        |
| 109         | Missing parameter            |
| 110         | Command header error         |
| 112         | Program mnemonic too long    |
| 113         | Undefined header             |
| 120         | Numeric data error           |
| 121         | Invalid character in numeric |
| 123         | Exponent too large           |
| 124         | Too many digits              |
| 130         | Suffix error                 |
| 131         | Invalid suffix               |
| 134         | Suffix too long              |
| 140         | Character data error         |
| 141         | Invalid character data       |
| 144         | Character data too long      |
| 150         | String data error            |
| 151         | Invalid string data          |
| 152         | String data too long         |
| 160         | Block data error             |
| 161         | Invalid block data           |
| 170         | Command expression error     |
| 171         | Invalid expression           |

**Execution Error**

The following table lists the execution errors that are detected during execution of a command.

**Table 3-5: Execution Error Messages (EXE Bit 4)**

| <b>Code</b> | <b>Message</b>          |
|-------------|-------------------------|
| 200         | Execution error         |
| 221         | Settings conflict       |
| 222         | Data out of range       |
| 224         | Illegal parameter value |

Table 3-5: Execution Error Messages (EXE Bit 4) (cont.)

| Code | Message   |
|------|---|
| 241  | Hardware missing  |
| 250  | Mass storage error                                      |
| 251  | Missing mass storage                                    |
| 252  | Missing media   |
| 253  | Corrupt media   |
| 254  | Media full  |
| 255  | Directory full  |
| 256  | File name not found                                     |
| 257  | File name error   |
| 258  | Media protected   |
| 259  | File name too long                                      |
| 270  | Hardcopy error  |
| 271  | Hardcopy device not responding                          |
| 272  | Hardcopy is busy  |
| 273  | Hardcopy aborted  |
| 274  | Hardcopy configuration error                            |
| 280  | Program error   |
| 282  | Insufficient network printer information                |
| 283  | Network printer not responding                          |
| 284  | Network printer server not responding                   |
| 286  | Program runtime error                                   |
| 287  | Print server not found                                  |
| 2200 | Measurement error, Measurement system error             |
| 2201 | Measurement error, Zero period                          |
| 2202 | Measurement error, No period, second waveform           |
| 2203 | Measurement error, No period, second waveform           |
| 2204 | Measurement error, Low amplitude, second waveform       |
| 2205 | Measurement error, Low amplitude, second waveform       |
| 2206 | Measurement error, Invalid gate                         |
| 2207 | Measurement error, Measurement overflow                 |
| 2208 | Measurement error, No backwards Mid Ref crossing        |
| 2209 | Measurement error, No second Mid Ref crossing           |
| 2210 | Measurement error, No Mid Ref crossing, second waveform |
| 2211 | Measurement error, No backwards Mid Ref crossing        |
| 2212 | Measurement error, No negative crossing                 |
| 2213 | Measurement error, No positive crossing                 |
| 2214 | Measurement error, No crossing, target waveform         |

**Table 3-5: Execution Error Messages (EXE Bit 4) (cont.)**

| <b>Code</b> | <b>Message</b>   |
|-------------|--|
| 2215        | Measurement error, No crossing, second waveform                |
| 2216        | Measurement error, No crossing, target waveform                |
| 2217        | Measurement error, Constant waveform                           |
| 2219        | Measurement error, No valid edge - No arm sample               |
| 2220        | Measurement error, No valid edge - No arm cross                |
| 2221        | Measurement error, No valid edge - No trigger cross            |
| 2222        | Measurement error, No valid edge - No second cross             |
| 2223        | Measurement error, Waveform mismatch                           |
| 2224        | Measurement error, WAIT calculating                            |
| 2225        | Measurement error, No waveform to measure                      |
| 2226        | Measurement error, Null Waveform                               |
| 2227        | Measurement error, Positive and Negative Clipping              |
| 2228        | Measurement error, Positive Clipping                           |
| 2229        | Measurement error, Negative Clipping                           |
| 2230        | Measurement error, High Ref < Low Ref                          |
| 2231        | Measurement error, No statistics available                     |
| 2233        | Requested waveform is temporarily unavailable                  |
| 2235        | Math error, invalid math description                           |
| 2240        | Invalid password   |
| 2241        | Waveform requested is invalid                                  |
| 2244        | Source waveform is not active                                  |
| 2245        | Saveref error, selected channel is turned off                  |
| 2250        | Reference error, the reference waveform file is invalid        |
| 2253        | Reference error, too many points received                      |
| 2254        | Reference error, too few points received                       |
| 2259        | File too big   |
| 2270        | Alias error  |
| 2271        | Alias syntax error   |
| 2273        | Illegal alias label  |
| 2276        | Alias expansion error  |
| 2277        | Alias redefinition not allowed                                 |
| 2278        | Alias header not found   |
| 2285        | TekSecure(R) Pass  |
| 2286        | TekSecure(R) Fail  |
| 2500        | Setup error, file does not look like a setup file              |
| 2501        | Setup warning, could not recall all values from external setup |
| 2620        | Mask error, too few points received                            |

**Table 3-5: Execution Error Messages (EXE Bit 4) (cont.)**

| <b>Code</b> | <b>Message</b>     |
|-------------|--------------------|
| 2760        | Mark limit reached |
| 2761        | No mark present    |
| 2762        | Search copy failed |

**Device Error** The following table lists the device errors that can occur during oscilloscope operation. These errors may indicate that the oscilloscope needs repair.

**Table 3-6: Device Error Messages (DDE Bit 3)**

| <b>Code</b> | <b>Message</b>          |
|-------------|-------------------------|
| 310         | System error            |
| 311         | Memory error            |
| 312         | PUD memory lost         |
| 314         | Save/recall memory lost |

**System Event** The following table lists the system event messages. These messages are generated whenever certain system conditions occur.

**Table 3-7: System Event Messages**

| <b>Code</b> | <b>Message</b>   |
|-------------|--|
| 400         | Query event  |
| 401         | Power on (PON bit 7 set)                                     |
| 402         | Operation complete (OPC bit 0 set)                           |
| 403         | User request (URQ bit 6 set)                                 |
| 404         | Power fail (DDE bit 3 set)                                   |
| 405         | Request control  |
| 410         | Query INTERRUPTED (QYE bit 2 set)                            |
| 420         | Query UNTERMINATED (QYE bit 2 set)                           |
| 430         | Query DEADLOCKED (QYE bit 2 set)                             |
| 440         | Query UNTERMINATED after indefinite response (QYE bit 2 set) |
| 468         | Knob/Keypad value changed                                    |
| 472         | Application variable changed                                 |

**Execution Warning** The following table lists warning messages that do not interrupt the flow of command execution. They also notify you of a possible unexpected results.

**Table 3-8: Execution Warning Messages (EXE Bit 4)**

| Code | Message   |
|------|---|
| 528  | Parameter out of range                          |
| 532  | Curve data too long, Curve truncated            |
| 533  | Curve error, Preamble values are inconsistent   |
| 540  | Measurement warning, Uncertain edge             |
| 541  | Measurement warning, Low signal amplitude       |
| 542  | Measurement warning, Unstable histogram         |
| 543  | Measurement warning, Low resolution             |
| 544  | Measurement warning, Uncertain edge             |
| 545  | Measurement warning, Invalid in minmax          |
| 546  | Measurement warning, Need 3 edges               |
| 547  | Measurement warning, Clipping positive/negative |
| 548  | Measurement warning, Clipping positive          |
| 549  | Measurement warning, Clipping negative          |

**Table 3-9: Execution Warning Messages (EXE Bit 4)**

| Code | Message   |
|------|---|
| 540  | Measurement warning                             |
| 541  | Measurement warning, Low signal amplitude       |
| 542  | Measurement warning, Unstable histogram         |
| 543  | Measurement warning, Low resolution             |
| 544  | Measurement warning, Uncertain edge             |
| 545  | Measurement warning, Invalid min max            |
| 546  | Measurement warning, Need 3 edges               |
| 547  | Measurement warning, Clipping positive/negative |
| 548  | Measurement warning, Clipping positive          |
| 549  | Measurement warning, Clipping negative          |

**Internal Warning**

The following table shows internal errors that indicate an internal fault in the oscilloscope.

**Table 3-10: Internal Warning Messages**

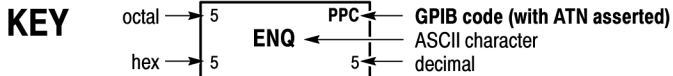
| Code | Message                        |
|------|--------------------------------|
| 630  | Internal warning, 50Ω overload |





# Appendix A: Character Set

| B7<br>B6<br>B5<br>BITS<br>B4 B3 B2 B1 | 0 0                   |            | 0 0 1                 |            | 0 1 0               |    | 0 1 1 |   | 1 0 0             |   | 1 0 1 |   | 1 1 0                              |   | 1 1 1 |                 |
|---------------------------------------|-----------------------|------------|-----------------------|------------|---------------------|----|-------|---|-------------------|---|-------|---|------------------------------------|---|-------|-----------------|
|                                       | CONTROL               |            |                       |            | NUMBERS<br>SYMBOLS  |    |       |   | UPPER CASE        |   |       |   | LOWER CASE                         |   |       |                 |
| 0 0 0 0                               | 0                     | NUL        | 20                    | DLE        | 40                  | SP | 60    | 0 | 100               | @ | 120   | P | 140                                | , | 160   | p               |
| 0 0 0 1                               | 1                     | GTL<br>SOH | 21                    | LL0<br>DC1 | 41                  | !  | 61    | 1 | 101               | A | 121   | Q | 141                                | a | 161   | q               |
| 0 0 1 0                               | 2                     | STX        | 22                    | DC2        | 42                  | "  | 62    | 2 | 102               | B | 122   | R | 142                                | b | 162   | r               |
| 0 0 1 1                               | 3                     | ETX        | 23                    | DC3        | 43                  | #  | 63    | 3 | 103               | C | 123   | S | 143                                | c | 163   | s               |
| 0 1 0 0                               | 4                     | SDC<br>EOT | 24                    | DCL<br>DC4 | 44                  | \$ | 64    | 4 | 104               | D | 124   | T | 144                                | d | 164   | t               |
| 0 1 0 1                               | 5                     | PPC<br>ENQ | 25                    | PPU<br>NAK | 45                  | %  | 65    | 5 | 105               | E | 125   | U | 145                                | e | 165   | u               |
| 0 1 1 0                               | 6                     | ACK        | 26                    | SYN        | 46                  | &  | 66    | 6 | 106               | F | 126   | V | 146                                | f | 166   | v               |
| 0 1 1 1                               | 7                     | BEL        | 27                    | ETB        | 47                  | '  | 67    | 7 | 107               | G | 127   | W | 147                                | g | 167   | w               |
| 1 0 0 0                               | 10                    | GET<br>BS  | 30                    | SPE<br>CAN | 50                  | (  | 70    | 8 | 110               | H | 130   | X | 150                                | h | 170   | x               |
| 1 0 0 1                               | 11                    | TCT<br>HT  | 31                    | SPD<br>EM  | 51                  | )  | 71    | 9 | 111               | I | 131   | Y | 151                                | i | 171   | y               |
| 1 0 1 0                               | 12                    | LF         | 32                    | SUB        | 52                  | *  | 72    | : | 112               | J | 132   | Z | 152                                | j | 172   | z               |
| 1 0 1 1                               | 13                    | VT         | 33                    | ESC        | 53                  | +  | 73    | ; | 113               | K | 133   | [ | 153                                | k | 173   | {               |
| 1 1 0 0                               | 14                    | FF         | 34                    | FS         | 54                  | ,  | 74    | < | 114               | L | 134   | \ | 154                                | l | 174   | !               |
| 1 1 0 1                               | 15                    | CR         | 35                    | GS         | 55                  | -  | 75    | = | 115               | M | 135   | ] | 155                                | m | 175   | }               |
| 1 1 1 0                               | 16                    | SO         | 36                    | RS         | 56                  | .  | 76    | > | 116               | N | 136   | ^ | 156                                | n | 176   | ~               |
| 1 1 1 1                               | 17                    | SI         | 37                    | US         | 57                  | /  | 77    | ? | 117               | O | 137   | _ | 157                                | o | 177   | RUBOUT<br>(DEL) |
|                                       | ADDRESSED<br>COMMANDS |            | UNIVERSAL<br>COMMANDS |            | LISTEN<br>ADDRESSES |    |       |   | TALK<br>ADDRESSES |   |       |   | SECONDARY ADDRESSES<br>OR COMMANDS |   |       |                 |



**Tektronix**  
 REF: ANSI STD X3.4-1977  
 IEEE STD 488.1-1987  
 ISO STD 646-2973



## Appendix B: Reserved Words

This is a list of reserved words for your instrument. Capital letters identify the required minimum spelling.

|               |             |                |                |
|---------------|-------------|----------------|----------------|
| *CAL          | ADDR7       | BANdwidth      | CLEAR          |
| *CLS          | ADDRANDDATA | BASE           | CLEARMenu      |
| *DDT          | ADDRess     | BDIFFBP        | CLEARSnapshot  |
| *ESE          | ADDress     | BINary         | CLEAr          |
| *ESR          | ADVanced    | BITDeLay       | CLOCK          |
| *IDN          | ALIAS       | BITOrder       | CLOCK          |
| *LRN          | ALIAS[      | BITRate        | CM10BY15       |
| *OPC          | ALL         | BIT_Nr         | CM13BY18       |
| *PSC          | ALLEv       | BLAckmanharris | CM15BY21       |
| *PUD          | ALLFields   | BM             | CM18BY24       |
| *RCL          | ALLLines    | BMP            | CM6BY8         |
| *RST          | ALLQString  | BN_Fmt         | CM7BY10        |
| *SAV          | ALWAYS      | BOTH           | CM9BY13        |
| *SRE          | AMPLitude   | BOX            | CMEan          |
| *STB          | AND         | BTRIGger       | COLUMN         |
| *TRG          | ANY         | BURst          | COMMAND        |
| *TST          | APPKey      | BUS            | CONDCALCmethod |
| *WAI          | APPpwr      | BUSY           | CONDition      |
| 0             | AREa        | BUSx           | CONDUCTION     |
| 1             | ASCII       | BY             | CONFigure      |
| CHx           | ASCIi       | BYPass         | CONTRol        |
| 1NR3          | ASCIi       | BYT_Nr         | CONTinue       |
| 7             | ASSIgn      | BYT_Or         | COPY           |
| 8             | ATRIGger    | Block          | COUNT          |
| A             | AUDio       | Bx             | COUPLing       |
| A0            | AUTO        | C1             | CPU            |
| A1            | AUTOSet     | C2             | CR             |
| A2            | AUTOZero    | C3             | CRC            |
| A3            | AUX         | CALCmethod     | CRCHheader     |
| A4            | AUXOut      | CALibrate      | CRCTrailer     |
| A5            | AUXin       | CAN            | CREATE         |
| A6            | AVERage     | CANH           | CRMs           |
| A7            | Auto        | CANL           | CROSSHair      |
| A8            | B           | CARD           | CURRENTSource  |
| A9            | B0          | CAREa          | CURRENT        |
| ABORT         | B1          | CATalog        | CURSor         |
| ABOrt         | B2          | CH1            | CURsors        |
| ABSolute      | B3          | CH2            | CURVe          |
| AC            | B4          | CH3            | CURrent        |
| ACKMISS       | B5          | CH4            | CUSTom         |
| ACQ           | B6          | CHANne1        | CWD            |
| ACQLENGTH     | B7          | CHANne1        | CYCLEcount     |
| ACQuire       | B8          | CHECKsum       | D              |
| ACTIVEprinter | B9          | CHx            | D0             |
| ADD           | BACKLight   | CLASSALIMit    | D1             |
| ADDR10        | BACKwards   | CLAss          | D10            |

|              |            |                |              |
|--------------|------------|----------------|--------------|
| D11          | DRAFT      | FIVEdivs       | HARMSOURce   |
| D12          | DUAL       | FIXEDFREQvalue | HARMonics    |
| D13          | DUMP       | FIXEDFREQuency | HBArS        |
| D14          | DYNAMiC    | FLAg           | HD1080I50    |
| D15          | Dx         | FLEXray        | HD1080I60    |
| D2           | E          | FOCUS          | HD1080P24    |
| D3           | ECL        | FOLder         | HD1080P25    |
| D4           | EDGE       | FORCEDRange    | HD1080PSF24  |
| D5           | EEPROM     | FORCe          | HD480P60     |
| D6           | EITher     | FORMat         | HD720P60     |
| D7           | ENAbLe     | FORMat         | HDtv         |
| D8           | ENCdg      | FORwards       | HEAdER       |
| D9           | END        | FPAnel         | HEAder       |
| DATA         | ENERGY     | FRACTIONal     | HEAdertime   |
| DATABits     | ENERGYLoss | FRAME          | HEIght       |
| DATE         | ENET       | FRAMEID        | HERtz        |
| DATEPrint    | ENGLiSh    | FRAMESync      | HEXadecimal  |
| DAta         | ENV        | FRAMEType      | HFRej        |
| DAlL         | ENVELOpe   | FRAMETypeid    | HIGH         |
| DB           | EOF        | FRAMEType      | HIGHLimit    |
| DC           | EOFTYPE    | FRAMING        | HIRes        |
| DDT          | EQUAl      | FRAMetime      | HISTogram    |
| DECimal      | ERROR      | FRAMe          | HIVALue      |
| DEFLT        | ERRTYPE    | FREE           | HOLDTime     |
| DEFault      | ERRlog     | FREESpace      | HOLDoff      |
| DEFine       | ETHERnet   | FRENch         | HORizontal   |
| DEGAUss      | EVEN       | FREQREference  | HSmode       |
| DEGrees      | EVENTS     | FREQRef        | HTTPPort     |
| DELEte       | EVENTtable | FREQUency      | HYSTeresis   |
| DELIMiter    | EVMsg      | FUNCTion       | I2C          |
| DELTA        | EVQty      | FUNDamental    | I2S          |
| DELtatime    | EXECute    | GAIN           | ICRESTfactor |
| DELay        | EXT        | GATEMid        | ID           |
| DELayed      | EXTended   | GATESource     | IDANDDATA    |
| DELeTe       | EXTernal   | GATEWay        | IDFOrmat     |
| DELta        | FACTOR     | GATING         | IDLETime     |
| DESE         | FACTory    | GATE           | IDLEtime     |
| DESKew       | FAIL       | GATING         | IDPrint      |
| DESTination  | FAILures   | GENeralcall    | IDentifier   |
| DESkew       | FALL       | GERMan         | IEC          |
| DHCPbootp    | FALSE      | GND            | IECMAX       |
| DIAG         | FALLing    | GPIBUSb        | IMAGESize    |
| DIFFerential | FASTPHOTO  | GRAPh          | IMAGe        |
| DIGital      | FASTER     | GRATICule      | IMAge        |
| DIR          | FAStest    | GRID           | IMMed        |
| DIRection    | FFT        | GRouPIng       | IMPedance    |
| DISPlay      | FIELD      | HAGAKIPCARD    | IN           |
| DISabled     | FIFTy      | HAGAKIPcard    | IN11BY17     |
| DISPlaymode  | FILEFormat | HAMming        | IN2P5BY3P25  |
| DNS          | FILESystem | HANning        | IN4BY6       |
| DOMAINname   | FILTer     | HARDCopy       | IN8BY10      |
| DOTonly      | FINE       | HARM3ALternate | INDBits      |
| DPOModels    | FIRSt      | HARM5ALternate | INDICators   |

|               |                    |               |               |
|---------------|--------------------|---------------|---------------|
| INDividual    | LOWCurrent         | NANd          | PASSFail      |
| INDEpendent   | LOWLimit           | NDuty         | PASSWord      |
| INFINite      | LOWVoltage         | NEGative      | PATtern       |
| INIT          | LOWerthreshold     | NEWpass       | PAYLength     |
| INKSaver      | LSB                | NEXT          | PAYLoad       |
| INPUTPOWER    | MAG                | NO            | PDuty         |
| INPUT         | MAGnivu            | NOCARE        | PEAKdetect    |
| INTENSITY     | MAIN               | NOISerej      | PERCent       |
| INTERLACed    | MARK               | NONE          | PERIod        |
| INTERNA1      | MARKSINCOLUMN      | NONE          | PERSistence   |
| INVERTed      | MASK               | NOPARity      | PERcent       |
| INVert        | MATH               | NOR           | PHASEangle    |
| INVerted      | MATH1              | NORMAL        | PHASE         |
| INrange       | MATHVAR            | NOTCOMPUted   | PHASE         |
| IO            | MATH[1]            | NR1           | PHOTO         |
| IPADDRESS     | MAX                | NR3           | PICTBridge    |
| IRMS          | MAXAmps            | NR_HARMONics  | PING          |
| ISCLOCKed     | MAXSamplerate      | NR_PT         | PK2Pk         |
| ITALian       | MAXVolts           | NTIMES        | PLAIN         |
| JAPANese      | MAXWatts           | NTSC          | PLOTTYPE      |
| KOREan        | MAXimum            | NULL          | PNG           |
| L             | MEAN               | NULLFRDynamic | POHC          |
| L2            | MEAS               | NULLFRStatic  | POHCLIMit     |
| L4            | MEASurement        | NUMACq        | POHL          |
| LABEL         | MEASx              | NUMAVg        | POINTS        |
| LABE1         | MEDium             | NUMCYCles     | POLARCORD     |
| LANGUage      | MEG                | NUMENTries    | POLARity      |
| LANDscape     | MESSAge            | NUMERIC       | POLAr         |
| LARGE         | METHod             | NUMENV        | POLArity      |
| LAYOUT        | MID                | NUMHORZ       | PORTRAit      |
| LEFT          | MID2               | NUMVERT       | PORTUGuese    |
| LESSEQual     | MIL                | NWIdth        | POSITion      |
| LESSLimit     | MIN                | OBSPERiod     | POSITive      |
| LESSThan      | MINimum            | OCCURS        | POVERshoot    |
| LETTER        | MINMax             | ODD           | POWER         |
| LEVE1         | MISO               | OFF           | POWERFACTOR   |
| LF            | MISOMOSI           | OFFSet        | POWERFactor   |
| LFRej         | MIXed              | ON            | POWERLEVE1    |
| LIMITS        | MKDir              | ONCE          | POWERLoss     |
| LIMit         | MM100BY150         | ONFAIL        | POWER         |
| LIN           | MM54BY86           | OPTion        | POWERupstatus |
| LINE          | MODE               | OR            | PRESS         |
| LINEAR        | MODULATIONanalysis | OUT           | PREVIEW       |
| LINEFREQuency | MODE               | OUTrange      | PREVIEWstate  |
| LINEPERiod    | MODE1              | OVERLoad      | PREVIOUS      |
| LINEar        | MODulation         | OWNER         | PRINTQual     |
| LIST          | MOREEqual          | PACKET        | PRINTER       |
| LJ            | MORELimit          | PAL           | PRODELta      |
| LOCK          | MOREThan           | PAPERSize     | PRODUCT       |
| LOG           | MOREthan           | PAPERTYPE     | PRODUCTID     |
| LOGIC         | MOSI               | PARAllel      | PRoDUct       |
| LOOP          | MSB                | PARity        | PROGRESSive   |
| LOW           | NAME               | PASS          | PROPDELay     |

|              |                 |                   |                    |
|--------------|-----------------|-------------------|--------------------|
| PRObe        | RESults         | SETTime           | String             |
| PT_Fmt       | RI              | SETUp             | TABLE              |
| PT_Order     | RIBinary        | SHOW              | TDM                |
| PT_Off       | RIGHt           | SIGNEDECimal      | TEKSecure          |
| PULSEWIDth   | RIPPlE          | SIGna1            | TEMPerature        |
| PULSEwidth   | RISEFall        | SIMPlifiedchinese | TERmination        |
| PULSe        | RISe            | SIZE              | TEST               |
| PULse        | RISing          | SLEEP             | TESTnumber         |
| PWIdth       | RJ              | SLEWRate          | THDELta            |
| QString      | RMDir           | SLOWer            | THDF               |
| QTY          | RMS             | SLOPe             | THDR               |
| QUALifier    | ROLL100MM       | SMAl1             | THETA              |
| QUALity      | ROLL127MM       | SNAPShot          | THreshold          |
| Qstring      | ROLL210MM       | SNAP              | TIFF               |
| RADIUS       | ROLL89MM        | SOA               | TIME               |
| RATDELta     | ROM             | SOF               | TIME               |
| RATE15K      | RP              | SOURCE2           | TOFF               |
| RATE1M       | RPBinary        | SOURCE[1]         | TON                |
| RATE20K      | RS232           | SPANish           | TOTAL              |
| RATE25K      | RS232C          | SPC               | TOTALuptime        |
| RATE35K      | RUN             | SPECTra1          | TRACK              |
| RATE50K      | RUNSTOp         | SPI               | TRADitionalchinese |
| RATE800K     | RUNT            | SPREADSheet       | TRANSition         |
| RATIO        | RUNT            | SPAcE             | TRIGger            |
| RATio        | RUSSian         | SRIBinary         | TRIGgertosearch    |
| RDELta       | RWINClude       | SRPbinary         | TRUEpwr            |
| RDSon        | RX              | SS                | TRUE               |
| REACTpwr     | RXDATA          | STANDard          | TTL                |
| READ         | RXENDPacket     | START             | TURN               |
| READFile     | RXSTart         | STARTOffframe     | TURNON             |
| READOUT      | SAMPLERate      | STARTUp           | TWEnty             |
| RECA11       | SAMPLEpoint     | START             | TWofifty           |
| RECDESkew    | SAMPlE          | STARTbyte         | TX                 |
| RECOrdlength | SAVE            | STATE             | TXDATA             |
| RECTangular  | SCAN            | STATIStics        | TXENDPacket        |
| REF          | SCAlE           | STATUS            | TXRX               |
| REF1         | SCLK            | STATe             | TXSTART            |
| REF2         | SCREEN          | STATic            | TYPE               |
| REF3         | SCREEn          | STATus            | TYPe               |
| REF4         | SDATA           | STDdev            | Than               |
| REFLevel     | SEARCH          | STOP              | UNDO               |
| REFlt;x>     | SEARCHtotrigger | STOPAfter         | UNEQual            |
| REFx         | SECAM           | STOPOnviol        | UNITs              |
| REM          | SECOnds         | STRing            | UNLOCK             |
| REMOte       | SELEct          | STYle             | UPPERthreshold     |
| REName       | SELEcted        | STANDard          | USBDevice          |
| REPEATstart  | SEQuence        | SUBNETMask        | USBTMC             |
| RESET        | SERIALnumber    | SWITCHingloss     | USBTmc             |
| RESOLution   | SERnumber       | SWLoss            | USE                |
| RESPTime     | SET             | SYNC              | USER               |
| RESUlt       | SETHold         | SYNCFie1d         | V1X                |
| RESistance   | SETLevel        | SYNCFrame         | V2X                |
| RESult       | SETTODEFaults   | SYNCInterval      | VALue              |

|               |           |           |        |
|---------------|-----------|-----------|--------|
| VBArs         | VRMS      | WRITE     | YDELta |
| VCEsat        | WAKEup    | WRITEFile | YES    |
| VCRESTfactor  | WAVEform  | X         | YMAX   |
| VDELta        | WAVFrm    | X1Y1X2Y2  | YMIN   |
| VENDORID      | WEIghting | XDELta    | YMUlt  |
| VERBose       | WFId      | XFF       | YOFF   |
| VERTAUTOset   | WFMInpre  | XINcr     | YT     |
| VERTDEFault   | WFMOutpre | XMAX      | YUNItS |
| VERTical      | WHEn      | XMIN      | YUNit  |
| VIDeo         | WIDth     | XUNit     | YUNits |
| VOLTAGESource | WINDow    | XY        | YZero  |
| VOLTage       | WORD      | XZero     | ZOOM   |
| VOLts         | WORDSel   | Y         | ZOOM   |





# Appendix C: Factory Defaults

## Default Setup

The following table lists the default values for each command.

**NOTE.** Find the most up-to-date default values for your instrument and software by performing a TekSecure command, saving the instrument setup and looking at the instrument or setup file.

Table C-1: Default values

| Command                      | Default value |
|------------------------------|---------------|
| ACQUIRE:MAGNIVU              | 0             |
| ACQUIRE:MODE                 | SAMPLE        |
| ACQUIRE:NUMAVG               | 16            |
| ACQUIRE:NUMENV               | INFINITE      |
| ACQUIRE:SAMPLINGMODE         | RT            |
| ACQUIRE:STATE                | 1             |
| ACQUIRE:STOPAFTER            | RUNSTOP       |
| ALIAS:STATE                  | 0             |
| AUXIN:PROBE:FORCEDRANGE      | 0.00E+00      |
| AUXIN:PROBE:GAIN             | 1             |
| BUS:B1:CAN:BITRATE           | 500000        |
| BUS:B1:CAN:PROBE             | CANH          |
| BUS:B1:CAN:SAMPLEPOINT       | 50            |
| BUS:B1:CAN:SOURCE            | CH1           |
| BUS:B1:DISPLAY:FORMAT        | HEXADECIMAL   |
| BUS:B1:DISPLAY:TYPE          | BUS           |
| BUS:B1:FLEXRAY:BITRATE       | 10000000      |
| BUS:B1:FLEXRAY:CHANNEL       | A             |
| BUS:B1:FLEXRAY:SIGNAL        | BDIFFBP       |
| BUS:B1:FLEXRAY:SOURCE        | CH1           |
| BUS:B1:I2C:ADDRESS:RWINCLUDE | 0             |
| BUS:B1:I2C:CLOCK:SOURCE      | CH1           |
| BUS:B1:I2C:DATA:SOURCE       | CH2           |
| BUS:B1:LABEL                 | Parallel      |
| BUS:B1:LIN:BITRATE           | 19200         |
| BUS:B1:LIN:IDFORMAT          | NOPARITY      |
| BUS:B1:LIN:MAXBYTEDELIM      | 14            |

Table C-1: Default values (cont.)

| Command                         | Default value |
|---------------------------------|---------------|
| BUS:B1:LIN:POLARITY             | NORMAL        |
| BUS:B1:LIN:SAMPLEPOINT          | 50            |
| BUS:B1:LIN:SOURCE               | CH1           |
| BUS:B1:LIN:STANDARD             | V2X           |
| BUS:B1:PARALLEL:BIT0:SOURCE     | D0            |
| BUS:B1:PARALLEL:BIT1:SOURCE     | D1            |
| BUS:B1:PARALLEL:BIT10:SOURCE    | D10           |
| BUS:B1:PARALLEL:BIT11:SOURCE    | D11           |
| BUS:B1:PARALLEL:BIT12:SOURCE    | D12           |
| BUS:B1:PARALLEL:BIT13:SOURCE    | D13           |
| BUS:B1:PARALLEL:BIT14:SOURCE    | D14           |
| BUS:B1:PARALLEL:BIT15:SOURCE    | D15           |
| BUS:B1:PARALLEL:BIT16:SOURCE    | CH1           |
| BUS:B1:PARALLEL:BIT17:SOURCE    | CH2           |
| BUS:B1:PARALLEL:BIT2:SOURCE     | D2            |
| BUS:B1:PARALLEL:BIT3:SOURCE     | D3            |
| BUS:B1:PARALLEL:BIT4:SOURCE     | D4            |
| BUS:B1:PARALLEL:BIT5:SOURCE     | D5            |
| BUS:B1:PARALLEL:BIT6:SOURCE     | D6            |
| BUS:B1:PARALLEL:BIT7:SOURCE     | D7            |
| BUS:B1:PARALLEL:BIT8:SOURCE     | D8            |
| BUS:B1:PARALLEL:BIT9:SOURCE     | D9            |
| BUS:B1:PARALLEL:CLOCK:EDGE      | RISING        |
| BUS:B1:PARALLEL:CLOCK:ISCLOCKED | NO            |
| BUS:B1:PARALLEL:CLOCK:SOURCE    | CH1           |
| BUS:B1:PARALLEL:WIDTH           | 16            |
| BUS:B1:POSITION                 | 0.00E+00      |
| BUS:B1:RS232C:BITRATE           | 9600          |
| BUS:B1:RS232C:DATABITS          | 8             |
| BUS:B1:RS232C:DELIMITER         | LF            |
| BUS:B1:RS232C:DISPLAYMODE       | FRAME         |
| BUS:B1:RS232C:PARITY            | NONE          |
| BUS:B1:RS232C:POLARITY          | NORMAL        |
| BUS:B1:RS232C:RX:SOURCE         | OFF           |
| BUS:B1:RS232C:TX:SOURCE         | CH1           |
| BUS:B1:SPI:BITORDER             | MSB           |
| BUS:B1:SPI:CLOCK:POLARITY       | RISE          |

Table C-1: Default values (cont.)

| Command                         | Default value |
|---------------------------------|---------------|
| BUS:B1:SPI:CLOCK:SOURCE         | CH1           |
| BUS:B1:SPI:DATA:IN:POLARITY     | HIGH          |
| BUS:B1:SPI:DATA:IN:SOURCE       | OFF           |
| BUS:B1:SPI:DATA:OUT:POLARITY    | HIGH          |
| BUS:B1:SPI:DATA:OUT:SOURCE      | CH2           |
| BUS:B1:SPI:DATA:SIZE            | 8             |
| BUS:B1:SPI:FRAMING              | SS            |
| BUS:B1:SPI:IDLETIME             | 1.00E-07      |
| BUS:B1:SPI:SELECT:POLARITY      | LOW           |
| BUS:B1:SPI:SELECT:SOURCE        | CH2           |
| BUS:B1:STATE                    | 0             |
| BUS:B1:TYPE                     | PARALLEL      |
| BUS:B2:CAN:BITRATE              | 500000        |
| BUS:B2:CAN:PROBE                | CANH          |
| BUS:B2:CAN:SAMPLEPOINT          | 50            |
| BUS:B2:CAN:SOURCE               | CH1           |
| BUS:B2:DISPLAY:FORMAT           | HEXADECIMAL   |
| BUS:B2:DISPLAY:TYPE             | BUS           |
| BUS:B2:FLEXRAY:BITRATE          | 10000000      |
| BUS:B2:FLEXRAY:CHANNEL          | A             |
| BUS:B2:FLEXRAY:SIGNAL           | BDIFFBP       |
| BUS:B2:FLEXRAY:SOURCE           | CH1           |
| BUS:B2:I2C:ADDRESS:RWINCLUDE    | 0             |
| BUS:B2:I2C:CLOCK:SOURCE         | CH1           |
| BUS:B2:I2C:DATA:SOURCE          | CH2           |
| BUS:B2:LABEL                    | Parallel      |
| BUS:B2:LIN:BITRATE              | 19200         |
| BUS:B2:LIN:IDFORMAT             | NOPARITY      |
| BUS:B2:LIN:MAXBYTEDELIM         | 14            |
| BUS:B2:LIN:POLARITY             | NORMAL        |
| BUS:B2:LIN:SAMPLEPOINT          | 50            |
| BUS:B2:LIN:SOURCE               | CH1           |
| BUS:B2:LIN:STANDARD             | V2X           |
| BUS:B2:PARALLEL:CLOCK:EDGE      | RISING        |
| BUS:B2:PARALLEL:CLOCK:ISCLOCKED | NO            |
| BUS:B2:PARALLEL:CLOCK:SOURCE    | CH1           |
| BUS:B2:PARALLEL:WIDTH           | 16            |

Table C-1: Default values (cont.)

| Command                      | Default value |
|------------------------------|---------------|
| BUS:B2:POSITION              | 0.00E+00      |
| BUS:B2:RS232C:BITRATE        | 9600          |
| BUS:B2:RS232C:DATABITS       | 8             |
| BUS:B2:RS232C:DELIMITER      | LF            |
| BUS:B2:RS232C:DISPLAYMODE    | FRAME         |
| BUS:B2:RS232C:PARITY         | NONE          |
| BUS:B2:RS232C:POLARITY       | NORMAL        |
| BUS:B2:RS232C:RX:SOURCE      | OFF           |
| BUS:B2:RS232C:TX:SOURCE      | CH1           |
| BUS:B2:SPI:BITORDER          | MSB           |
| BUS:B2:SPI:CLOCK:POLARITY    | RISE          |
| BUS:B2:SPI:CLOCK:SOURCE      | CH1           |
| BUS:B2:SPI:DATA:IN:POLARITY  | HIGH          |
| BUS:B2:SPI:DATA:IN:SOURCE    | OFF           |
| BUS:B2:SPI:DATA:OUT:POLARITY | HIGH          |
| BUS:B2:SPI:DATA:OUT:SOURCE   | CH2           |
| BUS:B2:SPI:DATA:SIZE         | 8             |
| BUS:B2:SPI:FRAMING           | SS            |
| BUS:B2:SPI:IDLETIME          | 1.00E-07      |
| BUS:B2:SPI:SELECT:POLARITY   | LOW           |
| BUS:B2:SPI:SELECT:SOURCE     | CH2           |
| BUS:B2:STATE                 | 0             |
| BUS:B2:TYPE                  | PARALLEL      |
| BUS:B3:CAN:BITRATE           | 500000        |
| BUS:B3:CAN:PROBE             | CANH          |
| BUS:B3:CAN:SAMPLEPOINT       | 50            |
| BUS:B3:CAN:SOURCE            | CH1           |
| BUS:B3:DISPLAY:FORMAT        | HEXADECIMAL   |
| BUS:B3:DISPLAY:TYPE          | BUS           |
| BUS:B3:FLEXRAY:BITRATE       | 10000000      |
| BUS:B3:FLEXRAY:CHANNEL       | A             |
| BUS:B3:FLEXRAY:SIGNAL        | BDIFFBP       |
| BUS:B3:FLEXRAY:SOURCE        | CH1           |
| BUS:B3:I2C:ADDRESS:RWINCLUDE | 0             |
| BUS:B3:I2C:CLOCK:SOURCE      | CH1           |
| BUS:B3:I2C:DATA:SOURCE       | CH2           |
| BUS:B3:LABEL                 | Parallel      |

Table C-1: Default values (cont.)

| Command                         | Default value |
|---------------------------------|---------------|
| BUS:B3:LIN:BITRATE              | 19200         |
| BUS:B3:LIN:IDFORMAT             | NOPARITY      |
| BUS:B3:LIN:MAXBYTEDELIM         | 14            |
| BUS:B3:LIN:POLARITY             | NORMAL        |
| BUS:B3:LIN:SAMPLEPOINT          | 50            |
| BUS:B3:LIN:SOURCE               | CH1           |
| BUS:B3:LIN:STANDARD             | V2X           |
| BUS:B3:PARALLEL:CLOCK:EDGE      | RISING        |
| BUS:B3:PARALLEL:CLOCK:ISCLOCKED | NO            |
| BUS:B3:PARALLEL:CLOCK:SOURCE    | CH1           |
| BUS:B3:PARALLEL:WIDTH           | 16            |
| BUS:B3:POSITION                 | 0.00E+00      |
| BUS:B3:RS232C:BITRATE           | 9600          |
| BUS:B3:RS232C:DATABITS          | 8             |
| BUS:B3:RS232C:DELIMITER         | LF            |
| BUS:B3:RS232C:DISPLAYMODE       | FRAME         |
| BUS:B3:RS232C:PARITY            | NONE          |
| BUS:B3:RS232C:POLARITY          | NORMAL        |
| BUS:B3:RS232C:RX:SOURCE         | OFF           |
| BUS:B3:RS232C:TX:SOURCE         | CH1           |
| BUS:B3:SPI:BITORDER             | MSB           |
| BUS:B3:SPI:CLOCK:POLARITY       | RISE          |
| BUS:B3:SPI:CLOCK:SOURCE         | CH1           |
| BUS:B3:SPI:DATA:IN:POLARITY     | HIGH          |
| BUS:B3:SPI:DATA:IN:SOURCE       | OFF           |
| BUS:B3:SPI:DATA:OUT:POLARITY    | HIGH          |
| BUS:B3:SPI:DATA:OUT:SOURCE      | CH2           |
| BUS:B3:SPI:DATA:SIZE            | 8             |
| BUS:B3:SPI:FRAMING              | SS            |
| BUS:B3:SPI:IDLETIME             | 1.00E-07      |
| BUS:B3:SPI:SELECT:POLARITY      | LOW           |
| BUS:B3:SPI:SELECT:SOURCE        | CH2           |
| BUS:B3:STATE                    | 0             |
| BUS:B3:TYPE                     | PARALLEL      |
| BUS:B4:CAN:BITRATE              | 500000        |
| BUS:B4:CAN:PROBE                | CANH          |
| BUS:B4:CAN:SAMPLEPOINT          | 50            |

Table C-1: Default values (cont.)

| Command                         | Default value |
|---------------------------------|---------------|
| BUS:B4:CAN:SOURCE               | CH1           |
| BUS:B4:DISPLAY:FORMAT           | HEXADECIMAL   |
| BUS:B4:DISPLAY:TYPE             | BUS           |
| BUS:B4:FLEXRAY:BITRATE          | 10000000      |
| BUS:B4:FLEXRAY:CHANNEL          | A             |
| BUS:B4:FLEXRAY:SIGNAL           | BDIFFBP       |
| BUS:B4:FLEXRAY:SOURCE           | CH1           |
| BUS:B4:I2C:ADDRESS:RWINCLUDE    | 0             |
| BUS:B4:I2C:CLOCK:SOURCE         | CH1           |
| BUS:B4:I2C:DATA:SOURCE          | CH2           |
| BUS:B4:LABEL                    | Parallel      |
| BUS:B4:LIN:BITRATE              | 19200         |
| BUS:B4:LIN:IDFORMAT             | NOPARITY      |
| BUS:B4:LIN:MAXBYTEDELIM         | 14            |
| BUS:B4:LIN:POLARITY             | NORMAL        |
| BUS:B4:LIN:SAMPLEPOINT          | 50            |
| BUS:B4:LIN:SOURCE               | CH1           |
| BUS:B4:LIN:STANDARD             | V2X           |
| BUS:B4:PARALLEL:CLOCK:EDGE      | RISING        |
| BUS:B4:PARALLEL:CLOCK:ISCLOCKED | NO            |
| BUS:B4:PARALLEL:CLOCK:SOURCE    | CH1           |
| BUS:B4:PARALLEL:WIDTH           | 16            |
| BUS:B4:POSITION                 | 0.00E+00      |
| BUS:B4:RS232C:BITRATE           | 9600          |
| BUS:B4:RS232C:DATABITS          | 8             |
| BUS:B4:RS232C:DELIMITER         | LF            |
| BUS:B4:RS232C:DISPLAYMODE       | FRAME         |
| BUS:B4:RS232C:PARITY            | NONE          |
| BUS:B4:RS232C:POLARITY          | NORMAL        |
| BUS:B4:RS232C:RX:SOURCE         | OFF           |
| BUS:B4:RS232C:TX:SOURCE         | CH1           |
| BUS:B4:SPI:BITORDER             | MSB           |
| BUS:B4:SPI:CLOCK:POLARITY       | RISE          |
| BUS:B4:SPI:CLOCK:SOURCE         | CH1           |
| BUS:B4:SPI:DATA:IN:POLARITY     | HIGH          |
| BUS:B4:SPI:DATA:IN:SOURCE       | OFF           |
| BUS:B4:SPI:DATA:OUT:POLARITY    | HIGH          |

Table C-1: Default values (cont.)

| Command                    | Default value |
|----------------------------|---------------|
| BUS:B4:SPI:DATA:OUT:SOURCE | CH2           |
| BUS:B4:SPI:DATA:SIZE       | 8             |
| BUS:B4:SPI:FRAMING         | SS            |
| BUS:B4:SPI:IDLETIME        | 1.00E-07      |
| BUS:B4:SPI:SELECT:POLARITY | LOW           |
| BUS:B4:SPI:SELECT:SOURCE   | CH2           |
| BUS:B4:STATE               | 0             |
| BUS:B4:TYPE                | PARALLEL      |
| BUS:LOWERTHRESHOLD:CH1     | 0.00E+00      |
| BUS:LOWERTHRESHOLD:CH2     | 0.00E+00      |
| BUS:UPPERTHRESHOLD:CH1     | 8.00E-01      |
| BUS:UPPERTHRESHOLD:CH2     | 8.00E-01      |
| CH1:BANDWIDTH              | 3.50E+08      |
| CH1:COUPLING               | DC            |
| CH1:DESKEW                 | 0.00E+00      |
| CH1:INVERT                 | 0             |
| CH1:LABEL                  |               |
| CH1:OFFSET                 | 0.00E+00      |
| CH1:POSITION               | 0.00E+00      |
| CH1:PROBE:FORCEDRANGE      | 0.00E+00      |
| CH1:PROBE:GAIN             | 1             |
| CH1:SCALE                  | 1.00E-01      |
| CH1:TERMINATION            | 1.00E+06      |
| CH1:YUNITS                 | V             |
| CH2:BANDWIDTH              | 3.50E+08      |
| CH2:COUPLING               | DC            |
| CH2:DESKEW                 | 0.00E+00      |
| CH2:INVERT                 | 0             |
| CH2:LABEL                  |               |
| CH2:OFFSET                 | 0.00E+00      |
| CH2:POSITION               | 0.00E+00      |
| CH2:PROBE:FORCEDRANGE      | 0.00E+00      |
| CH2:PROBE:GAIN             | 1             |
| CH2:SCALE                  | 1.00E-01      |
| CH2:TERMINATION            | 1.00E+06      |
| CH2:YUNITS                 | V             |
| CURSOR:FUNCTION            | OFF           |

Table C-1: Default values (cont.)

| Command                           | Default value |
|-----------------------------------|---------------|
| CURSOR:HBARS:POSITION1            | 0.00E+00      |
| CURSOR:HBARS:POSITION2            | 0.00E+00      |
| CURSOR:HBARS:UNITS                | BASE          |
| CURSOR:MODE                       | INDEPENDENT   |
| CURSOR:VBARS:POSITION1            | -1.20E-05     |
| CURSOR:VBARS:POSITION2            | 1.20E-05      |
| CURSOR:VBARS:UNITS                | SECONDS       |
| CURSOR:XY:RECTANGULAR:X:POSITION1 | 0.00E+00      |
| CURSOR:XY:RECTANGULAR:X:POSITION2 | 0.00E+00      |
| CURSOR:XY:RECTANGULAR:Y:POSITION1 | 0.00E+00      |
| CURSOR:XY:RECTANGULAR:Y:POSITION2 | 0.00E+00      |
| D0:LABEL                          |               |
| D0:POSITION                       | 6.00E-02      |
| D0:THRESHOLD                      | 1.4           |
| D1:LABEL                          |               |
| D1:POSITION                       | 6.00E-02      |
| D1:THRESHOLD                      | 1.4           |
| D10:LABEL                         |               |
| D10:POSITION                      | 6.00E-02      |
| D10:THRESHOLD                     | 1.4           |
| D11:LABEL                         |               |
| D11:POSITION                      | 6.00E-02      |
| D11:THRESHOLD                     | 1.4           |
| D12:LABEL                         |               |
| D12:POSITION                      | 6.00E-02      |
| D12:THRESHOLD                     | 1.4           |
| D13:LABEL                         |               |
| D13:POSITION                      | 6.00E-02      |
| D13:THRESHOLD                     | 1.4           |
| D14:LABEL                         |               |
| D14:POSITION                      | 6.00E-02      |
| D14:THRESHOLD                     | 1.4           |
| D15:LABEL                         |               |
| D15:POSITION                      | 6.00E-02      |
| D15:THRESHOLD                     | 1.4           |
| D2:LABEL                          |               |
| D2:POSITION                       | 6.00E-02      |



Table C-1: Default values (cont.)

| Command                     | Default value |
|-----------------------------|---------------|
| D2:THRESHOLD                | 1.4           |
| D3:LABEL                    |               |
| D3:POSITION                 | 6.00E-02      |
| D3:THRESHOLD                | 1.4           |
| D4:LABEL                    |               |
| D4:POSITION                 | 6.00E-02      |
| D4:THRESHOLD                | 1.4           |
| D5:LABEL                    |               |
| D5:POSITION                 | 6.00E-02      |
| D5:THRESHOLD                | 1.4           |
| D6:LABEL                    |               |
| D6:POSITION                 | 6.00E-02      |
| D6:THRESHOLD                | 1.4           |
| D7:LABEL                    |               |
| D7:POSITION                 | 6.00E-02      |
| D7:THRESHOLD                | 1.4           |
| D8:LABEL                    |               |
| D8:POSITION                 | 6.00E-02      |
| D8:THRESHOLD                | 1.4           |
| D9:LABEL                    |               |
| D9:POSITION                 | 6.00E-02      |
| D9:THRESHOLD                | 1.4           |
| DATA:DESTINATION            | REF1          |
| DATA:ENCDG                  | RIBINARY      |
| DATA:SOURCE                 | CH1           |
| DATA:START                  | 1             |
| DATA:STOP                   | 10000         |
| DISPLAY:CLOCK               | 1             |
| DISPLAY:COLOR:PALETTE       | NORMAL        |
| DISPLAY:DIGITAL:HEIGHT      | MEDIUM        |
| DISPLAY:FORMAT              | YT            |
| DISPLAY:GRATICULE           | FULL          |
| DISPLAY:INTENSITY:BACKLIGHT | HIGH          |
| DISPLAY:INTENSITY:GRATICULE | 75            |
| DISPLAY:INTENSITY:WAVEFORM  | 35            |
| DISPLAY:PERSISTENCE         | 0.00E+00      |
| DISPLAY:STYLE:DOTSONLY      | 0             |

Table C-1: Default values (cont.)

| Command                           | Default value |
|-----------------------------------|---------------|
| HARDCOPY:INKSAVER                 | 1             |
| HARDCOPY:LAYOUT                   | LANDSCAPE     |
| HARDCOPY:PREVIEW                  | 0             |
| HEADER                            | 1             |
| HORIZONTAL:DELAY:MODE             | 1             |
| HORIZONTAL:DELAY:TIME             | 0.00E+00      |
| HORIZONTAL:POSITION               | 50            |
| HORIZONTAL:RECORDLENGTH           | 10000         |
| HORIZONTAL:SCALE                  | 4.00E-06      |
| LOCK                              | NONE          |
| MATH:DEFINE                       | CH1+CH2       |
| MATH:HORIZONTAL:POSITION          | 50            |
| MATH:HORIZONTAL:SCALE             | 4.00E-06      |
| MATH:HORIZONTAL:UNITS             | s             |
| MATH:LABEL                        |               |
| MATH:SPECTRAL:MAG                 | DB            |
| MATH:SPECTRAL:WINDOW              | HANNING       |
| MATH:TYPE                         | DUAL          |
| MATH:VERTICAL:POSITION            | 0.00E+00      |
| MATH:VERTICAL:SCALE               | 1.00E-01      |
| MATH:VERTICAL:UNITS               | V             |
| MATHVAR:VAR1                      | 0.00E+00      |
| MATHVAR:VAR2                      | 0.00E+00      |
| MEASUREMENT:GATING                | SCREEN        |
| MEASUREMENT:IMMED:DELAY:DIRECTION | FORWARDS      |
| MEASUREMENT:IMMED:DELAY:EDGE1     | RISE          |
| MEASUREMENT:IMMED:DELAY:EDGE2     | RISE          |
| MEASUREMENT:IMMED:SOURCE1         | CH1           |
| MEASUREMENT:IMMED:SOURCE2         | CH2           |
| MEASUREMENT:IMMED:TYPE            | PERIOD        |
| MEASUREMENT:INDICATORS:STATE      | OFF           |
| MEASUREMENT:MEAS1:DELAY:DIRECTION | FORWARDS      |
| MEASUREMENT:MEAS1:DELAY:EDGE1     | RISE          |
| MEASUREMENT:MEAS1:DELAY:EDGE2     | RISE          |
| MEASUREMENT:MEAS1:SOURCE1         | CH1           |
| MEASUREMENT:MEAS1:SOURCE2         | CH2           |
| MEASUREMENT:MEAS1:STATE           | 0             |

Table C-1: Default values (cont.)

| Command                           | Default value |
|-----------------------------------|---------------|
| MEASUREMENT:MEAS1:TYPE            | PERIOD        |
| MEASUREMENT:MEAS2:DELAY:DIRECTION | FORWARDS      |
| MEASUREMENT:MEAS2:DELAY:EDGE1     | RISE          |
| MEASUREMENT:MEAS2:DELAY:EDGE2     | RISE          |
| MEASUREMENT:MEAS2:SOURCE1         | CH1           |
| MEASUREMENT:MEAS2:SOURCE2         | CH2           |
| MEASUREMENT:MEAS2:STATE           | 0             |
| MEASUREMENT:MEAS2:TYPE            | PERIOD        |
| MEASUREMENT:MEAS3:DELAY:DIRECTION | FORWARDS      |
| MEASUREMENT:MEAS3:DELAY:EDGE1     | RISE          |
| MEASUREMENT:MEAS3:DELAY:EDGE2     | RISE          |
| MEASUREMENT:MEAS3:SOURCE1         | CH1           |
| MEASUREMENT:MEAS3:SOURCE2         | CH2           |
| MEASUREMENT:MEAS3:STATE           | 0             |
| MEASUREMENT:MEAS3:TYPE            | PERIOD        |
| MEASUREMENT:MEAS4:DELAY:DIRECTION | FORWARDS      |
| MEASUREMENT:MEAS4:DELAY:EDGE1     | RISE          |
| MEASUREMENT:MEAS4:DELAY:EDGE2     | RISE          |
| MEASUREMENT:MEAS4:SOURCE1         | CH1           |
| MEASUREMENT:MEAS4:SOURCE2         | CH2           |
| MEASUREMENT:MEAS4:STATE           | 0             |
| MEASUREMENT:MEAS4:TYPE            | PERIOD        |
| MEASUREMENT:MEAS5:DELAY:DIRECTION | FORWARDS      |
| MEASUREMENT:MEAS5:DELAY:EDGE1     | RISE          |
| MEASUREMENT:MEAS5:DELAY:EDGE2     | RISE          |
| MEASUREMENT:MEAS5:SOURCE1         | CH1           |
| MEASUREMENT:MEAS5:SOURCE2         | CH2           |
| MEASUREMENT:MEAS5:STATE           | 0             |
| MEASUREMENT:MEAS5:TYPE            | PERIOD        |
| MEASUREMENT:MEAS6:DELAY:DIRECTION | FORWARDS      |
| MEASUREMENT:MEAS6:DELAY:EDGE1     | RISE          |
| MEASUREMENT:MEAS6:DELAY:EDGE2     | RISE          |
| MEASUREMENT:MEAS6:SOURCE1         | CH1           |
| MEASUREMENT:MEAS6:SOURCE2         | CH2           |
| MEASUREMENT:MEAS6:STATE           | 0             |
| MEASUREMENT:MEAS6:TYPE            | PERIOD        |
| MEASUREMENT:MEAS7:DELAY:DIRECTION | FORWARDS      |

Table C-1: Default values (cont.)

| Command                            | Default value  |
|------------------------------------|----------------|
| MEASUREMENT:MEAS7:DELAY:EDGE1      | RISE           |
| MEASUREMENT:MEAS7:DELAY:EDGE2      | RISE           |
| MEASUREMENT:MEAS7:SOURCE1          | CH1            |
| MEASUREMENT:MEAS7:SOURCE2          | CH2            |
| MEASUREMENT:MEAS7:STATE            | 0              |
| MEASUREMENT:MEAS7:TYPE             | PERIOD         |
| MEASUREMENT:MEAS8:DELAY:DIRECTION  | FORWARDS       |
| MEASUREMENT:MEAS8:DELAY:EDGE1      | RISE           |
| MEASUREMENT:MEAS8:DELAY:EDGE2      | RISE           |
| MEASUREMENT:MEAS8:SOURCE1          | CH1            |
| MEASUREMENT:MEAS8:SOURCE2          | CH2            |
| MEASUREMENT:MEAS8:STATE            | 0              |
| MEASUREMENT:MEAS8:TYPE             | PERIOD         |
| MEASUREMENT:METHOD                 | AUTO           |
| MEASUREMENT:REFLEVEL:ABSOLUTE:HIG  | 0.00E+00       |
| MEASUREMENT:REFLEVEL:ABSOLUTE:LOW  | 0.00E+00       |
| MEASUREMENT:REFLEVEL:ABSOLUTE:MID1 | 0.00E+00       |
| MEASUREMENT:REFLEVEL:ABSOLUTE:MID2 | 0.00E+00       |
| MEASUREMENT:REFLEVEL:METHOD        | PERCENT        |
| MEASUREMENT:REFLEVEL:PERCENT:HIG   | 90             |
| MEASUREMENT:REFLEVEL:PERCENT:LOW   | 10             |
| MEASUREMENT:REFLEVEL:PERCENT:MID1  | 50             |
| MEASUREMENT:REFLEVEL:PERCENT:MID2  | 50             |
| MEASUREMENT:STATISTICS:MODE        | ALL            |
| MEASUREMENT:STATISTICS:WEIGHTING   | 32             |
| MESSAGE:BOX                        | 271,82,292,114 |
| MESSAGE:SHOW                       |                |
| MESSAGE:STATE                      | 0              |
| REF1:HORIZONTAL:DELAY:TIME         | 0.00E+00       |
| REF1:HORIZONTAL:SCALE              | 4.00E-06       |
| REF1:VERTICAL:POSITION             | 0.00E+00       |
| REF1:VERTICAL:SCALE                | 1.00E-01       |
| REF2:HORIZONTAL:DELAY:TIME         | 0.00E+00       |
| REF2:HORIZONTAL:SCALE              | 4.00E-06       |
| REF2:VERTICAL:POSITION             | 0.00E+00       |
| REF2:VERTICAL:SCALE                | 1.00E-01       |
| SAVE:ASSIGN:TYPE                   | IMAGE          |

Table C-1: Default values (cont.)

| Command  | Default value |
|--|---------------|
| SAVE:IMAGE:FILEFORMAT  | PNG           |
| SAVE:IMAGE:LAYOUT  | LANDSCAPE     |
| SAVE:WAVEFORM:FILEFORMAT                                     | INTERNAL      |
| SAVE:WAVEFORM:GATING   | NONE          |
| SEARCH:SEARCH1:STATE   | 0             |
| SEARCH:SEARCH1:TRIGGER:A:BUS:B1:CAN:CONDITION                | SOF           |
| SEARCH:SEARCH1:TRIGGER:A:BUS:B1:CAN:DATA:DIRECTION           | NOCARE        |
| SEARCH:SEARCH1:TRIGGER:A:BUS:B1:CAN:DATA:QUALIFIER           | EQUAL         |
| SEARCH:SEARCH1:TRIGGER:A:BUS:B1:CAN:DATA:SIZE                | 1             |
| SEARCH:SEARCH1:TRIGGER:A:BUS:B1:CAN:DATA:VALUE               | XXXXXXXX      |
| SEARCH:SEARCH1:TRIGGER:A:BUS:B1:CAN:FRAMETYPE                | DATA          |
| SEARCH:SEARCH1:TRIGGER:A:BUS:B1:CAN:IDENTIFIER:MODE          | STANDARD      |
| SEARCH:SEARCH1:TRIGGER:A:BUS:B1:CAN:IDENTIFIER:VALUE         | XXXXXXXXXXXX  |
| SEARCH:SEARCH1:TRIGGER:A:BUS:B1:FLEXRAY:CONDITION            | SOF           |
| SEARCH:SEARCH1:TRIGGER:A:BUS:B1:FLEXRAY:CYCLECOUNT:HIVALUE   | XXXXXX        |
| SEARCH:SEARCH1:TRIGGER:A:BUS:B1:FLEXRAY:CYCLECOUNT:QUALIFIER | EQUAL         |
| SEARCH:SEARCH1:TRIGGER:A:BUS:B1:FLEXRAY:CYCLECOUNT:VALUE     | XXXXXX        |
| SEARCH:SEARCH1:TRIGGER:A:BUS:B1:FLEXRAY:DATA:HIVALUE         | XXXXXXXX      |
| SEARCH:SEARCH1:TRIGGER:A:BUS:B1:FLEXRAY:DATA:OFFSET          | -1            |
| SEARCH:SEARCH1:TRIGGER:A:BUS:B1:FLEXRAY:DATA:QUALIFIER       | EQUAL         |
| SEARCH:SEARCH1:TRIGGER:A:BUS:B1:FLEXRAY:DATA:SIZE            | 1             |
| SEARCH:SEARCH1:TRIGGER:A:BUS:B1:FLEXRAY:DATA:VALUE           | XXXXXXXX      |
| SEARCH:SEARCH1:TRIGGER:A:BUS:B1:FLEXRAY:EOFTYPE              | STATIC        |
| SEARCH:SEARCH1:TRIGGER:A:BUS:B1:FLEXRAY:ERRTYPE              | CRCHEADER     |
| SEARCH:SEARCH1:TRIGGER:A:BUS:B1:FLEXRAY:FRAMEID:HIVALUE      | XXXXXXXXXXXX  |
| SEARCH:SEARCH1:TRIGGER:A:BUS:B1:FLEXRAY:FRAMEID:QUALIFIER    | EQUAL         |
| SEARCH:SEARCH1:TRIGGER:A:BUS:B1:FLEXRAY:FRAMEID:VALUE        | XXXXXXXXXXXX  |
| SEARCH:SEARCH1:TRIGGER:A:BUS:B1:FLEXRAY:FRAMETYPE            | NORMAL        |
| SEARCH:SEARCH1:TRIGGER:A:BUS:B1:FLEXRAY:HEADER:CRC           | XXXXXXXXXXXX  |
| SEARCH:SEARCH1:TRIGGER:A:BUS:B1:FLEXRAY:HEADER:CYCLECOUNT    | XXXXXX        |
| SEARCH:SEARCH1:TRIGGER:A:BUS:B1:FLEXRAY:HEADER:FRAMEID       | XXXXXXXXXXXX  |
| SEARCH:SEARCH1:TRIGGER:A:BUS:B1:FLEXRAY:HEADER:INDBITS       | XXXXX         |
| SEARCH:SEARCH1:TRIGGER:A:BUS:B1:FLEXRAY:HEADER:PAYLENGTH     | XXXXXX        |
| SEARCH:SEARCH1:TRIGGER:A:BUS:B1:I2C:ADDRESS:MODE             | ADDR7         |
| SEARCH:SEARCH1:TRIGGER:A:BUS:B1:I2C:ADDRESS:TYPE             | USER          |
| SEARCH:SEARCH1:TRIGGER:A:BUS:B1:I2C:ADDRESS:VALUE            | XXXXXX        |
| SEARCH:SEARCH1:TRIGGER:A:BUS:B1:I2C:CONDITION                | START         |

Table C-1: Default values (cont.)

| Command  | Default value      |
|--|--------------------|
| SEARCH:SEARCH1:TRIGGER:A:BUS:B1:I2C:DATA:DIRECTION           | NOCARE             |
| SEARCH:SEARCH1:TRIGGER:A:BUS:B1:I2C:DATA:SIZE                | 1                  |
| SEARCH:SEARCH1:TRIGGER:A:BUS:B1:I2C:DATA:VALUE               | XXXXXXXX           |
| SEARCH:SEARCH1:TRIGGER:A:BUS:B1:LIN:CONDITION                | SYNCFIELD          |
| SEARCH:SEARCH1:TRIGGER:A:BUS:B1:LIN:DATA:HIVALUE             | XXXXXXXX           |
| SEARCH:SEARCH1:TRIGGER:A:BUS:B1:LIN:DATA:QUALIFIER           | EQUAL              |
| SEARCH:SEARCH1:TRIGGER:A:BUS:B1:LIN:DATA:SIZE                | 1                  |
| SEARCH:SEARCH1:TRIGGER:A:BUS:B1:LIN:DATA:VALUE               | XXXXXXXX           |
| SEARCH:SEARCH1:TRIGGER:A:BUS:B1:LIN:ERRTYPE                  | SYNC               |
| SEARCH:SEARCH1:TRIGGER:A:BUS:B1:LIN:IDENTIFIER:VALUE         | XXXXXX             |
| SEARCH:SEARCH1:TRIGGER:A:BUS:B1:PARALLEL:VALUE               | XXXXXXXXXXXXXXXXXX |
| SEARCH:SEARCH1:TRIGGER:A:BUS:B1:RS232C:CONDITION             | TXSTART            |
| SEARCH:SEARCH1:TRIGGER:A:BUS:B1:RS232C:RX:DATA:SIZE          | 1                  |
| SEARCH:SEARCH1:TRIGGER:A:BUS:B1:RS232C:RX:DATA:VALUE         | XXXXXXXX           |
| SEARCH:SEARCH1:TRIGGER:A:BUS:B1:RS232C:TX:DATA:SIZE          | 1                  |
| SEARCH:SEARCH1:TRIGGER:A:BUS:B1:RS232C:TX:DATA:VALUE         | XXXXXXXX           |
| SEARCH:SEARCH1:TRIGGER:A:BUS:B1:SPI:CONDITION                | SS                 |
| SEARCH:SEARCH1:TRIGGER:A:BUS:B1:SPI:DATA:MISO:VALUE          | XXXXXXXX           |
| SEARCH:SEARCH1:TRIGGER:A:BUS:B1:SPI:DATA:MOSI:VALUE          | XXXXXXXX           |
| SEARCH:SEARCH1:TRIGGER:A:BUS:B1:SPI:DATA:SIZE                | 1                  |
| SEARCH:SEARCH1:TRIGGER:A:BUS:B2:CAN:CONDITION                | SOF                |
| SEARCH:SEARCH1:TRIGGER:A:BUS:B2:CAN:DATA:DIRECTION           | NOCARE             |
| SEARCH:SEARCH1:TRIGGER:A:BUS:B2:CAN:DATA:QUALIFIER           | EQUAL              |
| SEARCH:SEARCH1:TRIGGER:A:BUS:B2:CAN:DATA:SIZE                | 1                  |
| SEARCH:SEARCH1:TRIGGER:A:BUS:B2:CAN:DATA:VALUE               | XXXXXXXX           |
| SEARCH:SEARCH1:TRIGGER:A:BUS:B2:CAN:FRAMETYPE                | DATA               |
| SEARCH:SEARCH1:TRIGGER:A:BUS:B2:CAN:IDENTIFIER:MODE          | STANDARD           |
| SEARCH:SEARCH1:TRIGGER:A:BUS:B2:CAN:IDENTIFIER:VALUE         | XXXXXXXXXXXX       |
| SEARCH:SEARCH1:TRIGGER:A:BUS:B2:FLEXRAY:CONDITION            | SOF                |
| SEARCH:SEARCH1:TRIGGER:A:BUS:B2:FLEXRAY:CYCLECOUNT:HIVALUE   | XXXXXX             |
| SEARCH:SEARCH1:TRIGGER:A:BUS:B2:FLEXRAY:CYCLECOUNT:QUALIFIER | EQUAL              |
| SEARCH:SEARCH1:TRIGGER:A:BUS:B2:FLEXRAY:CYCLECOUNT:VALUE     | XXXXXX             |
| SEARCH:SEARCH1:TRIGGER:A:BUS:B2:FLEXRAY:DATA:HIVALUE         | XXXXXXXX           |
| SEARCH:SEARCH1:TRIGGER:A:BUS:B2:FLEXRAY:DATA:OFFSET          | -1                 |
| SEARCH:SEARCH1:TRIGGER:A:BUS:B2:FLEXRAY:DATA:QUALIFIER       | EQUAL              |
| SEARCH:SEARCH1:TRIGGER:A:BUS:B2:FLEXRAY:DATA:SIZE            | 1                  |
| SEARCH:SEARCH1:TRIGGER:A:BUS:B2:FLEXRAY:DATA:VALUE           | XXXXXXXX           |

Table C-1: Default values (cont.)

| Command   | Default value      |
|---|--------------------|
| SEARCH:SEARCH1:TRIGGER:A:BUS:B2:FLEXRAY:EOFTYPE           | STATIC             |
| SEARCH:SEARCH1:TRIGGER:A:BUS:B2:FLEXRAY:ERRTYPE           | CRCHEADER          |
| SEARCH:SEARCH1:TRIGGER:A:BUS:B2:FLEXRAY:FRAMEID:HIVALUE   | XXXXXXXXXXXX       |
| SEARCH:SEARCH1:TRIGGER:A:BUS:B2:FLEXRAY:FRAMEID:QUALIFIER | EQUAL              |
| SEARCH:SEARCH1:TRIGGER:A:BUS:B2:FLEXRAY:FRAMEID:VALUE     | XXXXXXXXXXXX       |
| SEARCH:SEARCH1:TRIGGER:A:BUS:B2:FLEXRAY:FRAMETYPE         | NORMAL             |
| SEARCH:SEARCH1:TRIGGER:A:BUS:B2:FLEXRAY:HEADER:CRC        | XXXXXXXXXXXX       |
| SEARCH:SEARCH1:TRIGGER:A:BUS:B2:FLEXRAY:HEADER:CYCLECOUNT | XXXXXX             |
| SEARCH:SEARCH1:TRIGGER:A:BUS:B2:FLEXRAY:HEADER:FRAMEID    | XXXXXXXXXXXX       |
| SEARCH:SEARCH1:TRIGGER:A:BUS:B2:FLEXRAY:HEADER:INDBITS    | XXXXX              |
| SEARCH:SEARCH1:TRIGGER:A:BUS:B2:FLEXRAY:HEADER:PAYLENGTH  | XXXXXXX            |
| SEARCH:SEARCH1:TRIGGER:A:BUS:B2:I2C:ADDRESS:MODE          | ADDR7              |
| SEARCH:SEARCH1:TRIGGER:A:BUS:B2:I2C:ADDRESS:TYPE          | USER               |
| SEARCH:SEARCH1:TRIGGER:A:BUS:B2:I2C:ADDRESS:VALUE         | XXXXXXX            |
| SEARCH:SEARCH1:TRIGGER:A:BUS:B2:I2C:CONDITION             | START              |
| SEARCH:SEARCH1:TRIGGER:A:BUS:B2:I2C:DATA:DIRECTION        | NOCARE             |
| SEARCH:SEARCH1:TRIGGER:A:BUS:B2:I2C:DATA:SIZE             | 1                  |
| SEARCH:SEARCH1:TRIGGER:A:BUS:B2:I2C:DATA:VALUE            | XXXXXXXXXX         |
| SEARCH:SEARCH1:TRIGGER:A:BUS:B2:LIN:CONDITION             | SYNCFIELD          |
| SEARCH:SEARCH1:TRIGGER:A:BUS:B2:LIN:DATA:HIVALUE          | XXXXXXXXXX         |
| SEARCH:SEARCH1:TRIGGER:A:BUS:B2:LIN:DATA:QUALIFIER        | EQUAL              |
| SEARCH:SEARCH1:TRIGGER:A:BUS:B2:LIN:DATA:SIZE             | 1                  |
| SEARCH:SEARCH1:TRIGGER:A:BUS:B2:LIN:DATA:VALUE            | XXXXXXXXXX         |
| SEARCH:SEARCH1:TRIGGER:A:BUS:B2:LIN:ERRTYPE               | SYNC               |
| SEARCH:SEARCH1:TRIGGER:A:BUS:B2:LIN:IDENTIFIER:VALUE      | XXXXXX             |
| SEARCH:SEARCH1:TRIGGER:A:BUS:B2:PARALLEL:VALUE            | XXXXXXXXXXXXXXXXXX |
| SEARCH:SEARCH1:TRIGGER:A:BUS:B2:RS232C:CONDITION          | TXSTART            |
| SEARCH:SEARCH1:TRIGGER:A:BUS:B2:RS232C:RX:DATA:SIZE       | 1                  |
| SEARCH:SEARCH1:TRIGGER:A:BUS:B2:RS232C:RX:DATA:VALUE      | XXXXXXXXXX         |
| SEARCH:SEARCH1:TRIGGER:A:BUS:B2:RS232C:TX:DATA:SIZE       | 1                  |
| SEARCH:SEARCH1:TRIGGER:A:BUS:B2:RS232C:TX:DATA:VALUE      | XXXXXXXXXX         |
| SEARCH:SEARCH1:TRIGGER:A:BUS:B2:SPI:CONDITION             | SS                 |
| SEARCH:SEARCH1:TRIGGER:A:BUS:B2:SPI:DATA:MISO:VALUE       | XXXXXXXXXX         |
| SEARCH:SEARCH1:TRIGGER:A:BUS:B2:SPI:DATA:MOSI:VALUE       | XXXXXXXXXX         |
| SEARCH:SEARCH1:TRIGGER:A:BUS:B2:SPI:DATA:SIZE             | 1                  |
| SEARCH:SEARCH1:TRIGGER:A:BUS:B3:CAN:CONDITION             | SOF                |
| SEARCH:SEARCH1:TRIGGER:A:BUS:B3:CAN:DATA:DIRECTION        | NOCARE             |

Table C-1: Default values (cont.)

| Command  | Default value |
|--|---------------|
| SEARCH:SEARCH1:TRIGGER:A:BUS:B3:CAN:DATA:QUALIFIER           | EQUAL         |
| SEARCH:SEARCH1:TRIGGER:A:BUS:B3:CAN:DATA:SIZE                | 1             |
| SEARCH:SEARCH1:TRIGGER:A:BUS:B3:CAN:DATA:VALUE               | XXXXXXXX      |
| SEARCH:SEARCH1:TRIGGER:A:BUS:B3:CAN:FRAMETYPE                | DATA          |
| SEARCH:SEARCH1:TRIGGER:A:BUS:B3:CAN:IDENTIFIER:MODE          | STANDARD      |
| SEARCH:SEARCH1:TRIGGER:A:BUS:B3:CAN:IDENTIFIER:VALUE         | XXXXXXXXXXXX  |
| SEARCH:SEARCH1:TRIGGER:A:BUS:B3:FLEXRAY:CONDITION            | SOF           |
| SEARCH:SEARCH1:TRIGGER:A:BUS:B3:FLEXRAY:CYCLECOUNT:HIVALUE   | XXXXXX        |
| SEARCH:SEARCH1:TRIGGER:A:BUS:B3:FLEXRAY:CYCLECOUNT:QUALIFIER | EQUAL         |
| SEARCH:SEARCH1:TRIGGER:A:BUS:B3:FLEXRAY:CYCLECOUNT:VALUE     | XXXXXX        |
| SEARCH:SEARCH1:TRIGGER:A:BUS:B3:FLEXRAY:DATA:HIVALUE         | XXXXXXXX      |
| SEARCH:SEARCH1:TRIGGER:A:BUS:B3:FLEXRAY:DATA:OFFSET          | -1            |
| SEARCH:SEARCH1:TRIGGER:A:BUS:B3:FLEXRAY:DATA:QUALIFIER       | EQUAL         |
| SEARCH:SEARCH1:TRIGGER:A:BUS:B3:FLEXRAY:DATA:SIZE            | 1             |
| SEARCH:SEARCH1:TRIGGER:A:BUS:B3:FLEXRAY:DATA:VALUE           | XXXXXXXX      |
| SEARCH:SEARCH1:TRIGGER:A:BUS:B3:FLEXRAY:EOFTYPE              | STATIC        |
| SEARCH:SEARCH1:TRIGGER:A:BUS:B3:FLEXRAY:ERRTYPE              | CRCHEADER     |
| SEARCH:SEARCH1:TRIGGER:A:BUS:B3:FLEXRAY:FRAMEID:HIVALUE      | XXXXXXXXXXXX  |
| SEARCH:SEARCH1:TRIGGER:A:BUS:B3:FLEXRAY:FRAMEID:QUALIFIER    | EQUAL         |
| SEARCH:SEARCH1:TRIGGER:A:BUS:B3:FLEXRAY:FRAMEID:VALUE        | XXXXXXXXXXXX  |
| SEARCH:SEARCH1:TRIGGER:A:BUS:B3:FLEXRAY:FRAMETYPE            | NORMAL        |
| SEARCH:SEARCH1:TRIGGER:A:BUS:B3:FLEXRAY:HEADER:CRC           | XXXXXXXXXXXX  |
| SEARCH:SEARCH1:TRIGGER:A:BUS:B3:FLEXRAY:HEADER:CYCLECOUNT    | XXXXXX        |
| SEARCH:SEARCH1:TRIGGER:A:BUS:B3:FLEXRAY:HEADER:FRAMEID       | XXXXXXXXXXXX  |
| SEARCH:SEARCH1:TRIGGER:A:BUS:B3:FLEXRAY:HEADER:INDBITS       | XXXXX         |
| SEARCH:SEARCH1:TRIGGER:A:BUS:B3:FLEXRAY:HEADER:PAYLENGTH     | XXXXXXX       |
| SEARCH:SEARCH1:TRIGGER:A:BUS:B3:I2C:ADDRESS:MODE             | ADDR7         |
| SEARCH:SEARCH1:TRIGGER:A:BUS:B3:I2C:ADDRESS:TYPE             | USER          |
| SEARCH:SEARCH1:TRIGGER:A:BUS:B3:I2C:ADDRESS:VALUE            | XXXXXXX       |
| SEARCH:SEARCH1:TRIGGER:A:BUS:B3:I2C:CONDITION                | START         |
| SEARCH:SEARCH1:TRIGGER:A:BUS:B3:I2C:DATA:DIRECTION           | NOCARE        |
| SEARCH:SEARCH1:TRIGGER:A:BUS:B3:I2C:DATA:SIZE                | 1             |
| SEARCH:SEARCH1:TRIGGER:A:BUS:B3:I2C:DATA:VALUE               | XXXXXXXX      |
| SEARCH:SEARCH1:TRIGGER:A:BUS:B3:LIN:CONDITION                | SYNCFIELD     |
| SEARCH:SEARCH1:TRIGGER:A:BUS:B3:LIN:DATA:HIVALUE             | XXXXXXXX      |
| SEARCH:SEARCH1:TRIGGER:A:BUS:B3:LIN:DATA:QUALIFIER           | EQUAL         |
| SEARCH:SEARCH1:TRIGGER:A:BUS:B3:LIN:DATA:SIZE                | 1             |



Table C-1: Default values (cont.)

| Command  | Default value      |
|--|--------------------|
| SEARCH:SEARCH1:TRIGGER:A:BUS:B3:LIN:DATA:VALUE               | XXXXXXXX           |
| SEARCH:SEARCH1:TRIGGER:A:BUS:B3:LIN:ERRTYPE                  | SYNC               |
| SEARCH:SEARCH1:TRIGGER:A:BUS:B3:LIN:IDENTIFIER:VALUE         | XXXXXX             |
| SEARCH:SEARCH1:TRIGGER:A:BUS:B3:PARALLEL:VALUE               | XXXXXXXXXXXXXXXXXX |
| SEARCH:SEARCH1:TRIGGER:A:BUS:B3:RS232C:CONDITION             | TXSTART            |
| SEARCH:SEARCH1:TRIGGER:A:BUS:B3:RS232C:RX:DATA:SIZE          | 1                  |
| SEARCH:SEARCH1:TRIGGER:A:BUS:B3:RS232C:RX:DATA:VALUE         | XXXXXXXX           |
| SEARCH:SEARCH1:TRIGGER:A:BUS:B3:RS232C:TX:DATA:SIZE          | 1                  |
| SEARCH:SEARCH1:TRIGGER:A:BUS:B3:RS232C:TX:DATA:VALUE         | XXXXXXXX           |
| SEARCH:SEARCH1:TRIGGER:A:BUS:B3:SPI:CONDITION                | SS                 |
| SEARCH:SEARCH1:TRIGGER:A:BUS:B3:SPI:DATA:MISO:VALUE          | XXXXXXXX           |
| SEARCH:SEARCH1:TRIGGER:A:BUS:B3:SPI:DATA:MOSI:VALUE          | XXXXXXXX           |
| SEARCH:SEARCH1:TRIGGER:A:BUS:B3:SPI:DATA:SIZE                | 1                  |
| SEARCH:SEARCH1:TRIGGER:A:BUS:B4:CAN:CONDITION                | SOF                |
| SEARCH:SEARCH1:TRIGGER:A:BUS:B4:CAN:DATA:DIRECTION           | NOCARE             |
| SEARCH:SEARCH1:TRIGGER:A:BUS:B4:CAN:DATA:QUALIFIER           | EQUAL              |
| SEARCH:SEARCH1:TRIGGER:A:BUS:B4:CAN:DATA:SIZE                | 1                  |
| SEARCH:SEARCH1:TRIGGER:A:BUS:B4:CAN:DATA:VALUE               | XXXXXXXX           |
| SEARCH:SEARCH1:TRIGGER:A:BUS:B4:CAN:FRAMETYPE                | DATA               |
| SEARCH:SEARCH1:TRIGGER:A:BUS:B4:CAN:IDENTIFIER:MODE          | STANDARD           |
| SEARCH:SEARCH1:TRIGGER:A:BUS:B4:CAN:IDENTIFIER:VALUE         | XXXXXXXXXXXX       |
| SEARCH:SEARCH1:TRIGGER:A:BUS:B4:FLEXRAY:CONDITION            | SOF                |
| SEARCH:SEARCH1:TRIGGER:A:BUS:B4:FLEXRAY:CYCLECOUNT:HIVALUE   | XXXXXX             |
| SEARCH:SEARCH1:TRIGGER:A:BUS:B4:FLEXRAY:CYCLECOUNT:QUALIFIER | EQUAL              |
| SEARCH:SEARCH1:TRIGGER:A:BUS:B4:FLEXRAY:CYCLECOUNT:VALUE     | XXXXXX             |
| SEARCH:SEARCH1:TRIGGER:A:BUS:B4:FLEXRAY:DATA:HIVALUE         | XXXXXXXX           |
| SEARCH:SEARCH1:TRIGGER:A:BUS:B4:FLEXRAY:DATA:OFFSET          | -1                 |
| SEARCH:SEARCH1:TRIGGER:A:BUS:B4:FLEXRAY:DATA:QUALIFIER       | EQUAL              |
| SEARCH:SEARCH1:TRIGGER:A:BUS:B4:FLEXRAY:DATA:SIZE            | 1                  |
| SEARCH:SEARCH1:TRIGGER:A:BUS:B4:FLEXRAY:DATA:VALUE           | XXXXXXXX           |
| SEARCH:SEARCH1:TRIGGER:A:BUS:B4:FLEXRAY:EOFTYPE              | STATIC             |
| SEARCH:SEARCH1:TRIGGER:A:BUS:B4:FLEXRAY:ERRTYPE              | CRCHEADER          |
| SEARCH:SEARCH1:TRIGGER:A:BUS:B4:FLEXRAY:FRAMEID:HIVALUE      | XXXXXXXXXXXX       |
| SEARCH:SEARCH1:TRIGGER:A:BUS:B4:FLEXRAY:FRAMEID:QUALIFIER    | EQUAL              |
| SEARCH:SEARCH1:TRIGGER:A:BUS:B4:FLEXRAY:FRAMEID:VALUE        | XXXXXXXXXXXX       |
| SEARCH:SEARCH1:TRIGGER:A:BUS:B4:FLEXRAY:FRAMETYPE            | NORMAL             |
| SEARCH:SEARCH1:TRIGGER:A:BUS:B4:FLEXRAY:HEADER:CRC           | XXXXXXXXXXXX       |

Table C-1: Default values (cont.)

| Command   | Default value      |
|---|--------------------|
| SEARCH:SEARCH1:TRIGGER:A:BUS:B4:FLEXRAY:HEADER:CYCLECOUNT | XXXXXX             |
| SEARCH:SEARCH1:TRIGGER:A:BUS:B4:FLEXRAY:HEADER:FRAMEID    | XXXXXXXXXXXX       |
| SEARCH:SEARCH1:TRIGGER:A:BUS:B4:FLEXRAY:HEADER:INDBITS    | XXXXX              |
| SEARCH:SEARCH1:TRIGGER:A:BUS:B4:FLEXRAY:HEADER:PAYLENGTH  | XXXXXXX            |
| SEARCH:SEARCH1:TRIGGER:A:BUS:B4:I2C:ADDRESS:MODE          | ADDR7              |
| SEARCH:SEARCH1:TRIGGER:A:BUS:B4:I2C:ADDRESS:TYPE          | USER               |
| SEARCH:SEARCH1:TRIGGER:A:BUS:B4:I2C:ADDRESS:VALUE         | XXXXXXX            |
| SEARCH:SEARCH1:TRIGGER:A:BUS:B4:I2C:CONDITION             | START              |
| SEARCH:SEARCH1:TRIGGER:A:BUS:B4:I2C:DATA:DIRECTION        | NOCARE             |
| SEARCH:SEARCH1:TRIGGER:A:BUS:B4:I2C:DATA:SIZE             | 1                  |
| SEARCH:SEARCH1:TRIGGER:A:BUS:B4:I2C:DATA:VALUE            | XXXXXXXXXX         |
| SEARCH:SEARCH1:TRIGGER:A:BUS:B4:LIN:CONDITION             | SYNCFIELD          |
| SEARCH:SEARCH1:TRIGGER:A:BUS:B4:LIN:DATA:HIVALUE          | XXXXXXXXXX         |
| SEARCH:SEARCH1:TRIGGER:A:BUS:B4:LIN:DATA:QUALIFIER        | EQUAL              |
| SEARCH:SEARCH1:TRIGGER:A:BUS:B4:LIN:DATA:SIZE             | 1                  |
| SEARCH:SEARCH1:TRIGGER:A:BUS:B4:LIN:DATA:VALUE            | XXXXXXXXXX         |
| SEARCH:SEARCH1:TRIGGER:A:BUS:B4:LIN:ERRTYPE               | SYNC               |
| SEARCH:SEARCH1:TRIGGER:A:BUS:B4:LIN:IDENTIFIER:VALUE      | XXXXXX             |
| SEARCH:SEARCH1:TRIGGER:A:BUS:B4:PARALLEL:VALUE            | XXXXXXXXXXXXXXXXXX |
| SEARCH:SEARCH1:TRIGGER:A:BUS:B4:RS232C:CONDITION          | TXSTART            |
| SEARCH:SEARCH1:TRIGGER:A:BUS:B4:RS232C:RX:DATA:SIZE       | 1                  |
| SEARCH:SEARCH1:TRIGGER:A:BUS:B4:RS232C:RX:DATA:VALUE      | XXXXXXXXXX         |
| SEARCH:SEARCH1:TRIGGER:A:BUS:B4:RS232C:TX:DATA:SIZE       | 1                  |
| SEARCH:SEARCH1:TRIGGER:A:BUS:B4:RS232C:TX:DATA:VALUE      | XXXXXXXXXX         |
| SEARCH:SEARCH1:TRIGGER:A:BUS:B4:SPI:CONDITION             | SS                 |
| SEARCH:SEARCH1:TRIGGER:A:BUS:B4:SPI:DATA:MISO:VALUE       | XXXXXXXXXX         |
| SEARCH:SEARCH1:TRIGGER:A:BUS:B4:SPI:DATA:MOSI:VALUE       | XXXXXXXXXX         |
| SEARCH:SEARCH1:TRIGGER:A:BUS:B4:SPI:DATA:SIZE             | 1                  |
| SEARCH:SEARCH1:TRIGGER:A:BUS:SOURCE                       | B1                 |
| SEARCH:SEARCH1:TRIGGER:A:EDGE:SLOPE                       | RISE               |
| SEARCH:SEARCH1:TRIGGER:A:EDGE:SOURCE                      | CH1                |
| SEARCH:SEARCH1:TRIGGER:A:LEVEL                            | 0.00E+00           |
| SEARCH:SEARCH1:TRIGGER:A:LEVEL:CH1                        | 0.00E+00           |
| SEARCH:SEARCH1:TRIGGER:A:LEVEL:CH2                        | 0.00E+00           |
| SEARCH:SEARCH1:TRIGGER:A:LEVEL:MATH                       | 0.00E+00           |
| SEARCH:SEARCH1:TRIGGER:A:LEVEL:REF1                       | 0.00E+00           |
| SEARCH:SEARCH1:TRIGGER:A:LEVEL:REF2                       | 0.00E+00           |

Table C-1: Default values (cont.)

| Command   | Default value |
|---|---------------|
| SEARCH:SEARCH1:TRIGGER:A:LOGIC:FUNCTION           | AND           |
| SEARCH:SEARCH1:TRIGGER:A:LOGIC:INPUT:CH1          | X             |
| SEARCH:SEARCH1:TRIGGER:A:LOGIC:INPUT:CH2          | X             |
| SEARCH:SEARCH1:TRIGGER:A:LOGIC:INPUT:CLOCK:EDGE   | RISE          |
| SEARCH:SEARCH1:TRIGGER:A:LOGIC:INPUT:CLOCK:SOURCE | NONE          |
| SEARCH:SEARCH1:TRIGGER:A:LOGIC:INPUT:D0           | X             |
| SEARCH:SEARCH1:TRIGGER:A:LOGIC:INPUT:D1           | X             |
| SEARCH:SEARCH1:TRIGGER:A:LOGIC:INPUT:D10          | X             |
| SEARCH:SEARCH1:TRIGGER:A:LOGIC:INPUT:D11          | X             |
| SEARCH:SEARCH1:TRIGGER:A:LOGIC:INPUT:D12          | X             |
| SEARCH:SEARCH1:TRIGGER:A:LOGIC:INPUT:D13          | X             |
| SEARCH:SEARCH1:TRIGGER:A:LOGIC:INPUT:D14          | X             |
| SEARCH:SEARCH1:TRIGGER:A:LOGIC:INPUT:D15          | X             |
| SEARCH:SEARCH1:TRIGGER:A:LOGIC:INPUT:D2           | X             |
| SEARCH:SEARCH1:TRIGGER:A:LOGIC:INPUT:D3           | X             |
| SEARCH:SEARCH1:TRIGGER:A:LOGIC:INPUT:D4           | X             |
| SEARCH:SEARCH1:TRIGGER:A:LOGIC:INPUT:D5           | X             |
| SEARCH:SEARCH1:TRIGGER:A:LOGIC:INPUT:D6           | X             |
| SEARCH:SEARCH1:TRIGGER:A:LOGIC:INPUT:D7           | X             |
| SEARCH:SEARCH1:TRIGGER:A:LOGIC:INPUT:D8           | X             |
| SEARCH:SEARCH1:TRIGGER:A:LOGIC:INPUT:D9           | X             |
| SEARCH:SEARCH1:TRIGGER:A:LOGIC:INPUT:MATH         | X             |
| SEARCH:SEARCH1:TRIGGER:A:LOGIC:INPUT:REF1         | X             |
| SEARCH:SEARCH1:TRIGGER:A:LOGIC:INPUT:REF2         | X             |
| SEARCH:SEARCH1:TRIGGER:A:LOGIC:PATTERN:INPUT:CH1  | X             |
| SEARCH:SEARCH1:TRIGGER:A:LOGIC:PATTERN:INPUT:CH2  | X             |
| SEARCH:SEARCH1:TRIGGER:A:LOGIC:PATTERN:INPUT:D0   | X             |
| SEARCH:SEARCH1:TRIGGER:A:LOGIC:PATTERN:INPUT:D1   | X             |
| SEARCH:SEARCH1:TRIGGER:A:LOGIC:PATTERN:INPUT:D10  | X             |
| SEARCH:SEARCH1:TRIGGER:A:LOGIC:PATTERN:INPUT:D11  | X             |
| SEARCH:SEARCH1:TRIGGER:A:LOGIC:PATTERN:INPUT:D12  | X             |
| SEARCH:SEARCH1:TRIGGER:A:LOGIC:PATTERN:INPUT:D13  | X             |
| SEARCH:SEARCH1:TRIGGER:A:LOGIC:PATTERN:INPUT:D14  | X             |
| SEARCH:SEARCH1:TRIGGER:A:LOGIC:PATTERN:INPUT:D15  | X             |
| SEARCH:SEARCH1:TRIGGER:A:LOGIC:PATTERN:INPUT:D2   | X             |
| SEARCH:SEARCH1:TRIGGER:A:LOGIC:PATTERN:INPUT:D3   | X             |
| SEARCH:SEARCH1:TRIGGER:A:LOGIC:PATTERN:INPUT:D4   | X             |

Table C-1: Default values (cont.)

| Command   | Default value |
|---|---------------|
| SEARCH:SEARCH1:TRIGGER:A:LOGIC:PATTERN:INPUT:D5       | X             |
| SEARCH:SEARCH1:TRIGGER:A:LOGIC:PATTERN:INPUT:D6       | X             |
| SEARCH:SEARCH1:TRIGGER:A:LOGIC:PATTERN:INPUT:D7       | X             |
| SEARCH:SEARCH1:TRIGGER:A:LOGIC:PATTERN:INPUT:D8       | X             |
| SEARCH:SEARCH1:TRIGGER:A:LOGIC:PATTERN:INPUT:D9       | X             |
| SEARCH:SEARCH1:TRIGGER:A:LOGIC:PATTERN:INPUT:MATH     | X             |
| SEARCH:SEARCH1:TRIGGER:A:LOGIC:PATTERN:INPUT:REF1     | X             |
| SEARCH:SEARCH1:TRIGGER:A:LOGIC:PATTERN:INPUT:REF2     | X             |
| SEARCH:SEARCH1:TRIGGER:A:LOGIC:PATTERN:WHEN           | TRUE          |
| SEARCH:SEARCH1:TRIGGER:A:LOGIC:PATTERN:WHEN:LESSLIMIT | 8.00E-09      |
| SEARCH:SEARCH1:TRIGGER:A:LOGIC:PATTERN:WHEN:MORELIMIT | 8.00E-09      |
| SEARCH:SEARCH1:TRIGGER:A:LOGIC:THRESHOLD:CH1          | 0.00E+00      |
| SEARCH:SEARCH1:TRIGGER:A:LOGIC:THRESHOLD:CH2          | 0.00E+00      |
| SEARCH:SEARCH1:TRIGGER:A:LOGIC:THRESHOLD:MATH         | 0.00E+00      |
| SEARCH:SEARCH1:TRIGGER:A:LOGIC:THRESHOLD:REF1         | 0.00E+00      |
| SEARCH:SEARCH1:TRIGGER:A:LOGIC:THRESHOLD:REF2         | 0.00E+00      |
| SEARCH:SEARCH1:TRIGGER:A:LOWERTHRESHOLD:CH1           | 0.00E+00      |
| SEARCH:SEARCH1:TRIGGER:A:LOWERTHRESHOLD:CH2           | 0.00E+00      |
| SEARCH:SEARCH1:TRIGGER:A:LOWERTHRESHOLD:MATH          | 0.00E+00      |
| SEARCH:SEARCH1:TRIGGER:A:LOWERTHRESHOLD:REF1          | 0.00E+00      |
| SEARCH:SEARCH1:TRIGGER:A:LOWERTHRESHOLD:REF2          | 0.00E+00      |
| SEARCH:SEARCH1:TRIGGER:A:PULSEWIDTH:POLARITY          | POSITIVE      |
| SEARCH:SEARCH1:TRIGGER:A:PULSEWIDTH:WHEN              | LESSTHAN      |
| SEARCH:SEARCH1:TRIGGER:A:PULSEWIDTH:WIDTH             | 8.00E-09      |
| SEARCH:SEARCH1:TRIGGER:A:RUNT:POLARITY                | POSITIVE      |
| SEARCH:SEARCH1:TRIGGER:A:RUNT:WHEN                    | OCCURS        |
| SEARCH:SEARCH1:TRIGGER:A:RUNT:WIDTH                   | 8.00E-09      |
| SEARCH:SEARCH1:TRIGGER:A:SETHOLD:CLOCK:EDGE           | RISE          |
| SEARCH:SEARCH1:TRIGGER:A:SETHOLD:CLOCK:SOURCE         | CH1           |
| SEARCH:SEARCH1:TRIGGER:A:SETHOLD:CLOCK:THRESHOLD      | 0.00E+00      |
| SEARCH:SEARCH1:TRIGGER:A:SETHOLD:DATA:SOURCE          | NONE          |
| SEARCH:SEARCH1:TRIGGER:A:SETHOLD:DATA:THRESHOLD       | 9.91E+37      |
| SEARCH:SEARCH1:TRIGGER:A:SETHOLD:HOLDTIME             | 8.00E-09      |
| SEARCH:SEARCH1:TRIGGER:A:SETHOLD:SETTIME              | 8.00E-09      |
| SEARCH:SEARCH1:TRIGGER:A:SETHOLD:THRESHOLD:CH1        | 0.00E+00      |
| SEARCH:SEARCH1:TRIGGER:A:SETHOLD:THRESHOLD:CH2        | 0.00E+00      |
| SEARCH:SEARCH1:TRIGGER:A:SETHOLD:THRESHOLD:MATH       | 0.00E+00      |

Table C-1: Default values (cont.)

| Command   | Default value |
|---|---------------|
| SEARCH:SEARCH1:TRIGGER:A:SETHOLD:THRESHOLD:REF1 | 0.00E+00      |
| SEARCH:SEARCH1:TRIGGER:A:SETHOLD:THRESHOLD:REF2 | 0.00E+00      |
| SEARCH:SEARCH1:TRIGGER:A:TRANSITION:DELTATIME   | 8.00E-09      |
| SEARCH:SEARCH1:TRIGGER:A:TRANSITION:POLARITY    | POSITIVE      |
| SEARCH:SEARCH1:TRIGGER:A:TRANSITION:WHEN        | SLOWER        |
| SEARCH:SEARCH1:TRIGGER:A:TYPE                   | EDGE          |
| SEARCH:SEARCH1:TRIGGER:A:UPPERTHRESHOLD:CH1     | 8.00E-01      |
| SEARCH:SEARCH1:TRIGGER:A:UPPERTHRESHOLD:CH2     | 8.00E-01      |
| SEARCH:SEARCH1:TRIGGER:A:UPPERTHRESHOLD:MATH    | 8.00E-01      |
| SEARCH:SEARCH1:TRIGGER:A:UPPERTHRESHOLD:REF1    | 8.00E-01      |
| SEARCH:SEARCH1:TRIGGER:A:UPPERTHRESHOLD:REF2    | 8.00E-01      |
| SELECT:BUS1                                     | 0             |
| SELECT:BUS2                                     | 0             |
| SELECT:BUS3                                     | 0             |
| SELECT:BUS4                                     | 0             |
| SELECT:CH1                                      | 1             |
| SELECT:CH2                                      | 0             |
| SELECT:CONTROL                                  | CH1           |
| SELECT:D0                                       | 0             |
| SELECT:D1                                       | 0             |
| SELECT:D10                                      | 0             |
| SELECT:D11                                      | 0             |
| SELECT:D12                                      | 0             |
| SELECT:D13                                      | 0             |
| SELECT:D14                                      | 0             |
| SELECT:D15                                      | 0             |
| SELECT:D2                                       | 0             |
| SELECT:D3                                       | 0             |
| SELECT:D4                                       | 0             |
| SELECT:D5                                       | 0             |
| SELECT:D6                                       | 0             |
| SELECT:D7                                       | 0             |
| SELECT:D8                                       | 0             |
| SELECT:D9                                       | 0             |
| SELECT:DALL                                     | 0             |
| SELECT:MATH                                     | 0             |
| SELECT:REF1                                     | 0             |

Table C-1: Default values (cont.)

| Command                                       | Default value |
|---|---------------|
| SELECT:REF2                                   | 0             |
| TRIGGER:A:BUS:B1:CAN:CONDITION                | SOF           |
| TRIGGER:A:BUS:B1:CAN:DATA:DIRECTION           | NOCARE        |
| TRIGGER:A:BUS:B1:CAN:DATA:QUALIFIER           | EQUAL         |
| TRIGGER:A:BUS:B1:CAN:DATA:SIZE                | 1             |
| TRIGGER:A:BUS:B1:CAN:DATA:START               | 0.00E+00      |
| TRIGGER:A:BUS:B1:CAN:DATA:VALUE               | XXXXXXXX      |
| TRIGGER:A:BUS:B1:CAN:FRAMETYPE                | DATA          |
| TRIGGER:A:BUS:B1:CAN:IDENTIFIER:MODE          | STANDARD      |
| TRIGGER:A:BUS:B1:CAN:IDENTIFIER:VALUE         | XXXXXXXXXXXX  |
| TRIGGER:A:BUS:B1:FLEXRAY:CONDITION            | SOF           |
| TRIGGER:A:BUS:B1:FLEXRAY:CYCLECOUNT:HIVALUE   | XXXXXX        |
| TRIGGER:A:BUS:B1:FLEXRAY:CYCLECOUNT:QUALIFIER | EQUAL         |
| TRIGGER:A:BUS:B1:FLEXRAY:CYCLECOUNT:VALUE     | XXXXXX        |
| TRIGGER:A:BUS:B1:FLEXRAY:DATA:HIVALUE         | XXXXXXXX      |
| TRIGGER:A:BUS:B1:FLEXRAY:DATA:OFFSET          | -1            |
| TRIGGER:A:BUS:B1:FLEXRAY:DATA:QUALIFIER       | EQUAL         |
| TRIGGER:A:BUS:B1:FLEXRAY:DATA:SIZE            | 1             |
| TRIGGER:A:BUS:B1:FLEXRAY:DATA:VALUE           | XXXXXXXX      |
| TRIGGER:A:BUS:B1:FLEXRAY:EOFTYPE              | STATIC        |
| TRIGGER:A:BUS:B1:FLEXRAY:ERRTYPE              | CRCHEADER     |
| TRIGGER:A:BUS:B1:FLEXRAY:FRAMEID:HIVALUE      | XXXXXXXXXXXX  |
| TRIGGER:A:BUS:B1:FLEXRAY:FRAMEID:QUALIFIER    | EQUAL         |
| TRIGGER:A:BUS:B1:FLEXRAY:FRAMEID:VALUE        | XXXXXXXXXXXX  |
| TRIGGER:A:BUS:B1:FLEXRAY:FRAMETYPE            | NORMAL        |
| TRIGGER:A:BUS:B1:FLEXRAY:HEADER:CRC           | XXXXXXXXXXXX  |
| TRIGGER:A:BUS:B1:FLEXRAY:HEADER:CYCLECOUNT    | XXXXXX        |
| TRIGGER:A:BUS:B1:FLEXRAY:HEADER:FRAMEID       | XXXXXXXXXXXX  |
| TRIGGER:A:BUS:B1:FLEXRAY:HEADER:INDBITS       | XXXXX         |
| TRIGGER:A:BUS:B1:FLEXRAY:HEADER:PAYLENGTH     | XXXXXXX       |
| TRIGGER:A:BUS:B1:I2C:ADDRESS:MODE             | ADDR7         |
| TRIGGER:A:BUS:B1:I2C:ADDRESS:TYPE             | USER          |
| TRIGGER:A:BUS:B1:I2C:ADDRESS:VALUE            | XXXXXXX       |
| TRIGGER:A:BUS:B1:I2C:CONDITION                | START         |
| TRIGGER:A:BUS:B1:I2C:DATA:DIRECTION           | NOCARE        |
| TRIGGER:A:BUS:B1:I2C:DATA:SIZE                | 1             |
| TRIGGER:A:BUS:B1:I2C:DATA:START               | 0.00E+00      |

Table C-1: Default values (cont.)

| Command                                       | Default value      |
|---|--------------------|
| TRIGGER:A:BUS:B1:I2C:DATA:VALUE               | XXXXXXXX           |
| TRIGGER:A:BUS:B1:LIN:CONDITION                | SYNCFIELD          |
| TRIGGER:A:BUS:B1:LIN:DATA:HIVALUE             | XXXXXXXX           |
| TRIGGER:A:BUS:B1:LIN:DATA:QUALIFIER           | EQUAL              |
| TRIGGER:A:BUS:B1:LIN:DATA:SIZE                | 1                  |
| TRIGGER:A:BUS:B1:LIN:DATA:VALUE               | XXXXXXXX           |
| TRIGGER:A:BUS:B1:LIN:ERRTYPE                  | SYNC               |
| TRIGGER:A:BUS:B1:LIN:IDENTIFIER:VALUE         | XXXXXX             |
| TRIGGER:A:BUS:B1:PARALLEL:VALUE               | XXXXXXXXXXXXXXXXXX |
| TRIGGER:A:BUS:B1:RS232C:CONDITION             | TXSTART            |
| TRIGGER:A:BUS:B1:RS232C:RX:DATA:SIZE          | 1                  |
| TRIGGER:A:BUS:B1:RS232C:RX:DATA:VALUE         | XXXXXXXX           |
| TRIGGER:A:BUS:B1:RS232C:TX:DATA:SIZE          | 1                  |
| TRIGGER:A:BUS:B1:RS232C:TX:DATA:VALUE         | XXXXXXXX           |
| TRIGGER:A:BUS:B1:SPI:CONDITION                | SS                 |
| TRIGGER:A:BUS:B1:SPI:DATA:IN:VALUE            | XXXXXXXX           |
| TRIGGER:A:BUS:B1:SPI:DATA:OUT:VALUE           | XXXXXXXX           |
| TRIGGER:A:BUS:B1:SPI:DATA:SIZE                | 1                  |
| TRIGGER:A:BUS:B1:SPI:DATA:START               | 0.00E+00           |
| TRIGGER:A:BUS:B2:CAN:CONDITION                | SOF                |
| TRIGGER:A:BUS:B2:CAN:DATA:DIRECTION           | NOCARE             |
| TRIGGER:A:BUS:B2:CAN:DATA:QUALIFIER           | EQUAL              |
| TRIGGER:A:BUS:B2:CAN:DATA:SIZE                | 1                  |
| TRIGGER:A:BUS:B2:CAN:DATA:START               | 0.00E+00           |
| TRIGGER:A:BUS:B2:CAN:DATA:VALUE               | XXXXXXXX           |
| TRIGGER:A:BUS:B2:CAN:FRAMETYPE                | DATA               |
| TRIGGER:A:BUS:B2:CAN:IDENTIFIER:MODE          | STANDARD           |
| TRIGGER:A:BUS:B2:CAN:IDENTIFIER:VALUE         | XXXXXXXXXXXX       |
| TRIGGER:A:BUS:B2:FLEXRAY:CONDITION            | SOF                |
| TRIGGER:A:BUS:B2:FLEXRAY:CYCLECOUNT:HIVALUE   | XXXXXX             |
| TRIGGER:A:BUS:B2:FLEXRAY:CYCLECOUNT:QUALIFIER | EQUAL              |
| TRIGGER:A:BUS:B2:FLEXRAY:CYCLECOUNT:VALUE     | XXXXXX             |
| TRIGGER:A:BUS:B2:FLEXRAY:DATA:HIVALUE         | XXXXXXXX           |
| TRIGGER:A:BUS:B2:FLEXRAY:DATA:OFFSET          | -1                 |
| TRIGGER:A:BUS:B2:FLEXRAY:DATA:QUALIFIER       | EQUAL              |
| TRIGGER:A:BUS:B2:FLEXRAY:DATA:SIZE            | 1                  |
| TRIGGER:A:BUS:B2:FLEXRAY:DATA:VALUE           | XXXXXXXX           |

Table C-1: Default values (cont.)

| Command                                    | Default value      |
|--|--------------------|
| TRIGGER:A:BUS:B2:FLEXRAY:EOFTYPE           | STATIC             |
| TRIGGER:A:BUS:B2:FLEXRAY:ERRTYPE           | CRCHEADER          |
| TRIGGER:A:BUS:B2:FLEXRAY:FRAMEID:HIVALUE   | XXXXXXXXXXXX       |
| TRIGGER:A:BUS:B2:FLEXRAY:FRAMEID:QUALIFIER | EQUAL              |
| TRIGGER:A:BUS:B2:FLEXRAY:FRAMEID:VALUE     | XXXXXXXXXXXX       |
| TRIGGER:A:BUS:B2:FLEXRAY:FRAMETYPE         | NORMAL             |
| TRIGGER:A:BUS:B2:FLEXRAY:HEADER:CRC        | XXXXXXXXXXXX       |
| TRIGGER:A:BUS:B2:FLEXRAY:HEADER:CYCLECOUNT | XXXXXX             |
| TRIGGER:A:BUS:B2:FLEXRAY:HEADER:FRAMEID    | XXXXXXXXXXXX       |
| TRIGGER:A:BUS:B2:FLEXRAY:HEADER:INDBITS    | XXXXX              |
| TRIGGER:A:BUS:B2:FLEXRAY:HEADER:PAYLENGTH  | XXXXXXX            |
| TRIGGER:A:BUS:B2:I2C:ADDRESS:MODE          | ADDR7              |
| TRIGGER:A:BUS:B2:I2C:ADDRESS:TYPE          | USER               |
| TRIGGER:A:BUS:B2:I2C:ADDRESS:VALUE         | XXXXXXX            |
| TRIGGER:A:BUS:B2:I2C:CONDITION             | START              |
| TRIGGER:A:BUS:B2:I2C:DATA:DIRECTION        | NOCARE             |
| TRIGGER:A:BUS:B2:I2C:DATA:SIZE             | 1                  |
| TRIGGER:A:BUS:B2:I2C:DATA:START            | 0.00E+00           |
| TRIGGER:A:BUS:B2:I2C:DATA:VALUE            | XXXXXXXXXX         |
| TRIGGER:A:BUS:B2:LIN:CONDITION             | SYNCFIELD          |
| TRIGGER:A:BUS:B2:LIN:DATA:HIVALUE          | XXXXXXXXXX         |
| TRIGGER:A:BUS:B2:LIN:DATA:QUALIFIER        | EQUAL              |
| TRIGGER:A:BUS:B2:LIN:DATA:SIZE             | 1                  |
| TRIGGER:A:BUS:B2:LIN:DATA:VALUE            | XXXXXXXXXX         |
| TRIGGER:A:BUS:B2:LIN:ERRTYPE               | SYNC               |
| TRIGGER:A:BUS:B2:LIN:IDENTIFIER:VALUE      | XXXXXX             |
| TRIGGER:A:BUS:B2:PARALLEL:VALUE            | XXXXXXXXXXXXXXXXXX |
| TRIGGER:A:BUS:B2:RS232C:CONDITION          | TXSTART            |
| TRIGGER:A:BUS:B2:RS232C:RX:DATA:SIZE       | 1                  |
| TRIGGER:A:BUS:B2:RS232C:RX:DATA:VALUE      | XXXXXXXXXX         |
| TRIGGER:A:BUS:B2:RS232C:TX:DATA:SIZE       | 1                  |
| TRIGGER:A:BUS:B2:RS232C:TX:DATA:VALUE      | XXXXXXXXXX         |
| TRIGGER:A:BUS:B2:SPI:CONDITION             | SS                 |
| TRIGGER:A:BUS:B2:SPI:DATA:IN:VALUE         | XXXXXXXXXX         |
| TRIGGER:A:BUS:B2:SPI:DATA:OUT:VALUE        | XXXXXXXXXX         |
| TRIGGER:A:BUS:B2:SPI:DATA:SIZE             | 1                  |
| TRIGGER:A:BUS:B2:SPI:DATA:START            | 0.00E+00           |



Table C-1: Default values (cont.)

| Command                                       | Default value |
|---|---------------|
| TRIGGER:A:BUS:B3:CAN:CONDITION                | SOF           |
| TRIGGER:A:BUS:B3:CAN:DATA:DIRECTION           | NOCARE        |
| TRIGGER:A:BUS:B3:CAN:DATA:QUALIFIER           | EQUAL         |
| TRIGGER:A:BUS:B3:CAN:DATA:SIZE                | 1             |
| TRIGGER:A:BUS:B3:CAN:DATA:START               | 0.00E+00      |
| TRIGGER:A:BUS:B3:CAN:DATA:VALUE               | XXXXXXXX      |
| TRIGGER:A:BUS:B3:CAN:FRAMETYPE                | DATA          |
| TRIGGER:A:BUS:B3:CAN:IDENTIFIER:MODE          | STANDARD      |
| TRIGGER:A:BUS:B3:CAN:IDENTIFIER:VALUE         | XXXXXXXXXXXX  |
| TRIGGER:A:BUS:B3:FLEXRAY:CONDITION            | SOF           |
| TRIGGER:A:BUS:B3:FLEXRAY:CYCLECOUNT:HIVALUE   | XXXXXX        |
| TRIGGER:A:BUS:B3:FLEXRAY:CYCLECOUNT:QUALIFIER | EQUAL         |
| TRIGGER:A:BUS:B3:FLEXRAY:CYCLECOUNT:VALUE     | XXXXXX        |
| TRIGGER:A:BUS:B3:FLEXRAY:DATA:HIVALUE         | XXXXXXXX      |
| TRIGGER:A:BUS:B3:FLEXRAY:DATA:OFFSET          | -1            |
| TRIGGER:A:BUS:B3:FLEXRAY:DATA:QUALIFIER       | EQUAL         |
| TRIGGER:A:BUS:B3:FLEXRAY:DATA:SIZE            | 1             |
| TRIGGER:A:BUS:B3:FLEXRAY:DATA:VALUE           | XXXXXXXX      |
| TRIGGER:A:BUS:B3:FLEXRAY:EOFTYPE              | STATIC        |
| TRIGGER:A:BUS:B3:FLEXRAY:ERRTYPE              | CRCHEADER     |
| TRIGGER:A:BUS:B3:FLEXRAY:FRAMEID:HIVALUE      | XXXXXXXXXXXX  |
| TRIGGER:A:BUS:B3:FLEXRAY:FRAMEID:QUALIFIER    | EQUAL         |
| TRIGGER:A:BUS:B3:FLEXRAY:FRAMEID:VALUE        | XXXXXXXXXXXX  |
| TRIGGER:A:BUS:B3:FLEXRAY:FRAMETYPE            | NORMAL        |
| TRIGGER:A:BUS:B3:FLEXRAY:HEADER:CRC           | XXXXXXXXXXXX  |
| TRIGGER:A:BUS:B3:FLEXRAY:HEADER:CYCLECOUNT    | XXXXXX        |
| TRIGGER:A:BUS:B3:FLEXRAY:HEADER:FRAMEID       | XXXXXXXXXXXX  |
| TRIGGER:A:BUS:B3:FLEXRAY:HEADER:INDBITS       | XXXXX         |
| TRIGGER:A:BUS:B3:FLEXRAY:HEADER:PAYLENGTH     | XXXXXXX       |
| TRIGGER:A:BUS:B3:I2C:ADDRESS:MODE             | ADDR7         |
| TRIGGER:A:BUS:B3:I2C:ADDRESS:TYPE             | USER          |
| TRIGGER:A:BUS:B3:I2C:ADDRESS:VALUE            | XXXXXXX       |
| TRIGGER:A:BUS:B3:I2C:CONDITION                | START         |
| TRIGGER:A:BUS:B3:I2C:DATA:DIRECTION           | NOCARE        |
| TRIGGER:A:BUS:B3:I2C:DATA:SIZE                | 1             |
| TRIGGER:A:BUS:B3:I2C:DATA:START               | 0.00E+00      |
| TRIGGER:A:BUS:B3:I2C:DATA:VALUE               | XXXXXXXX      |

Table C-1: Default values (cont.)

| Command                                       | Default value      |
|---|--------------------|
| TRIGGER:A:BUS:B3:LIN:CONDITION                | SYNCFIELD          |
| TRIGGER:A:BUS:B3:LIN:DATA:HIVALUE             | XXXXXXXX           |
| TRIGGER:A:BUS:B3:LIN:DATA:QUALIFIER           | EQUAL              |
| TRIGGER:A:BUS:B3:LIN:DATA:SIZE                | 1                  |
| TRIGGER:A:BUS:B3:LIN:DATA:VALUE               | XXXXXXXX           |
| TRIGGER:A:BUS:B3:LIN:ERRTYPE                  | SYNC               |
| TRIGGER:A:BUS:B3:LIN:IDENTIFIER:VALUE         | XXXXXX             |
| TRIGGER:A:BUS:B3:PARALLEL:VALUE               | XXXXXXXXXXXXXXXXXX |
| TRIGGER:A:BUS:B3:RS232C:CONDITION             | TXSTART            |
| TRIGGER:A:BUS:B3:RS232C:RX:DATA:SIZE          | 1                  |
| TRIGGER:A:BUS:B3:RS232C:RX:DATA:VALUE         | XXXXXXXX           |
| TRIGGER:A:BUS:B3:RS232C:TX:DATA:SIZE          | 1                  |
| TRIGGER:A:BUS:B3:RS232C:TX:DATA:VALUE         | XXXXXXXX           |
| TRIGGER:A:BUS:B3:SPI:CONDITION                | SS                 |
| TRIGGER:A:BUS:B3:SPI:DATA:IN:VALUE            | XXXXXXXX           |
| TRIGGER:A:BUS:B3:SPI:DATA:OUT:VALUE           | XXXXXXXX           |
| TRIGGER:A:BUS:B3:SPI:DATA:SIZE                | 1                  |
| TRIGGER:A:BUS:B3:SPI:DATA:START               | 0.00E+00           |
| TRIGGER:A:BUS:B4:CAN:CONDITION                | SOF                |
| TRIGGER:A:BUS:B4:CAN:DATA:DIRECTION           | NOCARE             |
| TRIGGER:A:BUS:B4:CAN:DATA:QUALIFIER           | EQUAL              |
| TRIGGER:A:BUS:B4:CAN:DATA:SIZE                | 1                  |
| TRIGGER:A:BUS:B4:CAN:DATA:START               | 0.00E+00           |
| TRIGGER:A:BUS:B4:CAN:DATA:VALUE               | XXXXXXXX           |
| TRIGGER:A:BUS:B4:CAN:FRAMETYPE                | DATA               |
| TRIGGER:A:BUS:B4:CAN:IDENTIFIER:MODE          | STANDARD           |
| TRIGGER:A:BUS:B4:CAN:IDENTIFIER:VALUE         | XXXXXXXXXXXX       |
| TRIGGER:A:BUS:B4:FLEXRAY:CONDITION            | SOF                |
| TRIGGER:A:BUS:B4:FLEXRAY:CYCLECOUNT:HIVALUE   | XXXXXX             |
| TRIGGER:A:BUS:B4:FLEXRAY:CYCLECOUNT:QUALIFIER | EQUAL              |
| TRIGGER:A:BUS:B4:FLEXRAY:CYCLECOUNT:VALUE     | XXXXXX             |
| TRIGGER:A:BUS:B4:FLEXRAY:DATA:HIVALUE         | XXXXXXXX           |
| TRIGGER:A:BUS:B4:FLEXRAY:DATA:OFFSET          | -1                 |
| TRIGGER:A:BUS:B4:FLEXRAY:DATA:QUALIFIER       | EQUAL              |
| TRIGGER:A:BUS:B4:FLEXRAY:DATA:SIZE            | 1                  |
| TRIGGER:A:BUS:B4:FLEXRAY:DATA:VALUE           | XXXXXXXX           |
| TRIGGER:A:BUS:B4:FLEXRAY:EOFTYPE              | STATIC             |

Table C-1: Default values (cont.)

| Command                                    | Default value      |
|--|--------------------|
| TRIGGER:A:BUS:B4:FLEXRAY:ERRTYPE           | CRCHEADER          |
| TRIGGER:A:BUS:B4:FLEXRAY:FRAMEID:HIVALUE   | XXXXXXXXXXXX       |
| TRIGGER:A:BUS:B4:FLEXRAY:FRAMEID:QUALIFIER | EQUAL              |
| TRIGGER:A:BUS:B4:FLEXRAY:FRAMEID:VALUE     | XXXXXXXXXXXX       |
| TRIGGER:A:BUS:B4:FLEXRAY:FRAMETYPE         | NORMAL             |
| TRIGGER:A:BUS:B4:FLEXRAY:HEADER:CRC        | XXXXXXXXXXXX       |
| TRIGGER:A:BUS:B4:FLEXRAY:HEADER:CYCLECOUNT | XXXXXX             |
| TRIGGER:A:BUS:B4:FLEXRAY:HEADER:FRAMEID    | XXXXXXXXXXXX       |
| TRIGGER:A:BUS:B4:FLEXRAY:HEADER:INDBITS    | XXXXX              |
| TRIGGER:A:BUS:B4:FLEXRAY:HEADER:PAYLENGTH  | XXXXXXX            |
| TRIGGER:A:BUS:B4:I2C:ADDRESS:MODE          | ADDR7              |
| TRIGGER:A:BUS:B4:I2C:ADDRESS:TYPE          | USER               |
| TRIGGER:A:BUS:B4:I2C:ADDRESS:VALUE         | XXXXXXX            |
| TRIGGER:A:BUS:B4:I2C:CONDITION             | START              |
| TRIGGER:A:BUS:B4:I2C:DATA:DIRECTION        | NOCARE             |
| TRIGGER:A:BUS:B4:I2C:DATA:SIZE             | 1                  |
| TRIGGER:A:BUS:B4:I2C:DATA:START            | 0.00E+00           |
| TRIGGER:A:BUS:B4:I2C:DATA:VALUE            | XXXXXXXXXX         |
| TRIGGER:A:BUS:B4:LIN:CONDITION             | SYNCFIELD          |
| TRIGGER:A:BUS:B4:LIN:DATA:HIVALUE          | XXXXXXXXXX         |
| TRIGGER:A:BUS:B4:LIN:DATA:QUALIFIER        | EQUAL              |
| TRIGGER:A:BUS:B4:LIN:DATA:SIZE             | 1                  |
| TRIGGER:A:BUS:B4:LIN:DATA:VALUE            | XXXXXXXXXX         |
| TRIGGER:A:BUS:B4:LIN:ERRTYPE               | SYNC               |
| TRIGGER:A:BUS:B4:LIN:IDENTIFIER:VALUE      | XXXXXX             |
| TRIGGER:A:BUS:B4:PARALLEL:VALUE            | XXXXXXXXXXXXXXXXXX |
| TRIGGER:A:BUS:B4:RS232C:CONDITION          | TXSTART            |
| TRIGGER:A:BUS:B4:RS232C:RX:DATA:SIZE       | 1                  |
| TRIGGER:A:BUS:B4:RS232C:RX:DATA:VALUE      | XXXXXXXXXX         |
| TRIGGER:A:BUS:B4:RS232C:TX:DATA:SIZE       | 1                  |
| TRIGGER:A:BUS:B4:RS232C:TX:DATA:VALUE      | XXXXXXXXXX         |
| TRIGGER:A:BUS:B4:SPI:CONDITION             | SS                 |
| TRIGGER:A:BUS:B4:SPI:DATA:IN:VALUE         | XXXXXXXXXX         |
| TRIGGER:A:BUS:B4:SPI:DATA:OUT:VALUE        | XXXXXXXXXX         |
| TRIGGER:A:BUS:B4:SPI:DATA:SIZE             | 1                  |
| TRIGGER:A:BUS:B4:SPI:DATA:START            | 0.00E+00           |
| TRIGGER:A:BUS:SOURCE                       | B1                 |

Table C-1: Default values (cont.)

| Command                            | Default value |
|------------------------------------|---------------|
| TRIGGER:A:EDGE:COUPLING            | DC            |
| TRIGGER:A:EDGE:SLOPE               | RISE          |
| TRIGGER:A:EDGE:SOURCE              | CH1           |
| TRIGGER:A:HOLDOFF:TIME             | 2.00E-08      |
| TRIGGER:A:LEVEL                    | 0.00E+00      |
| TRIGGER:A:LEVEL:AUXIN              | 0.00E+00      |
| TRIGGER:A:LEVEL:CH1                | 0.00E+00      |
| TRIGGER:A:LEVEL:CH2                | 0.00E+00      |
| TRIGGER:A:LEVEL:D0                 | 1.4           |
| TRIGGER:A:LEVEL:D1                 | 1.4           |
| TRIGGER:A:LEVEL:D10                | 1.4           |
| TRIGGER:A:LEVEL:D11                | 1.4           |
| TRIGGER:A:LEVEL:D12                | 1.4           |
| TRIGGER:A:LEVEL:D13                | 1.4           |
| TRIGGER:A:LEVEL:D14                | 1.4           |
| TRIGGER:A:LEVEL:D15                | 1.4           |
| TRIGGER:A:LEVEL:D2                 | 1.4           |
| TRIGGER:A:LEVEL:D3                 | 1.4           |
| TRIGGER:A:LEVEL:D4                 | 1.4           |
| TRIGGER:A:LEVEL:D5                 | 1.4           |
| TRIGGER:A:LEVEL:D6                 | 1.4           |
| TRIGGER:A:LEVEL:D7                 | 1.4           |
| TRIGGER:A:LEVEL:D8                 | 1.4           |
| TRIGGER:A:LEVEL:D9                 | 1.4           |
| TRIGGER:A:LOGIC:CLASS              | LOGIC         |
| TRIGGER:A:LOGIC:FUNCTION           | AND           |
| TRIGGER:A:LOGIC:INPUT:CH1          | X             |
| TRIGGER:A:LOGIC:INPUT:CH2          | X             |
| TRIGGER:A:LOGIC:INPUT:CLOCK:EDGE   | RISE          |
| TRIGGER:A:LOGIC:INPUT:CLOCK:SOURCE | NONE          |
| TRIGGER:A:LOGIC:INPUT:D0           | X             |
| TRIGGER:A:LOGIC:INPUT:D1           | X             |
| TRIGGER:A:LOGIC:INPUT:D10          | X             |
| TRIGGER:A:LOGIC:INPUT:D11          | X             |
| TRIGGER:A:LOGIC:INPUT:D12          | X             |
| TRIGGER:A:LOGIC:INPUT:D13          | X             |
| TRIGGER:A:LOGIC:INPUT:D14          | X             |

Table C-1: Default values (cont.)

| Command                                | Default value |
|--|---------------|
| TRIGGER:A:LOGIC:INPUT:D15              | X             |
| TRIGGER:A:LOGIC:INPUT:D2               | X             |
| TRIGGER:A:LOGIC:INPUT:D3               | X             |
| TRIGGER:A:LOGIC:INPUT:D4               | X             |
| TRIGGER:A:LOGIC:INPUT:D5               | X             |
| TRIGGER:A:LOGIC:INPUT:D6               | X             |
| TRIGGER:A:LOGIC:INPUT:D7               | X             |
| TRIGGER:A:LOGIC:INPUT:D8               | X             |
| TRIGGER:A:LOGIC:INPUT:D9               | X             |
| TRIGGER:A:LOGIC:PATTERN:DELTATIME      | 8.00E-09      |
| TRIGGER:A:LOGIC:PATTERN:WHEN           | TRUE          |
| TRIGGER:A:LOGIC:PATTERN:WHEN:LESSLIMIT | 8.00E-09      |
| TRIGGER:A:LOGIC:PATTERN:WHEN:MORELIMIT | 8.00E-09      |
| TRIGGER:A:LOGIC:THRESHOLD:CH1          | 0.00E+00      |
| TRIGGER:A:LOGIC:THRESHOLD:CH2          | 0.00E+00      |
| TRIGGER:A:LOGIC:THRESHOLD:D0           | 1.4           |
| TRIGGER:A:LOGIC:THRESHOLD:D1           | 1.4           |
| TRIGGER:A:LOGIC:THRESHOLD:D10          | 1.4           |
| TRIGGER:A:LOGIC:THRESHOLD:D11          | 1.4           |
| TRIGGER:A:LOGIC:THRESHOLD:D12          | 1.4           |
| TRIGGER:A:LOGIC:THRESHOLD:D13          | 1.4           |
| TRIGGER:A:LOGIC:THRESHOLD:D14          | 1.4           |
| TRIGGER:A:LOGIC:THRESHOLD:D15          | 1.4           |
| TRIGGER:A:LOGIC:THRESHOLD:D2           | 1.4           |
| TRIGGER:A:LOGIC:THRESHOLD:D3           | 1.4           |
| TRIGGER:A:LOGIC:THRESHOLD:D4           | 1.4           |
| TRIGGER:A:LOGIC:THRESHOLD:D5           | 1.4           |
| TRIGGER:A:LOGIC:THRESHOLD:D6           | 1.4           |
| TRIGGER:A:LOGIC:THRESHOLD:D7           | 1.4           |
| TRIGGER:A:LOGIC:THRESHOLD:D8           | 1.4           |
| TRIGGER:A:LOGIC:THRESHOLD:D9           | 1.4           |
| TRIGGER:A:LOWERTHRESHOLD:CH1           | 0.00E+00      |
| TRIGGER:A:LOWERTHRESHOLD:CH2           | 0.00E+00      |
| TRIGGER:A:LOWERTHRESHOLD:D0            | 1.4           |
| TRIGGER:A:LOWERTHRESHOLD:D1            | 1.4           |
| TRIGGER:A:LOWERTHRESHOLD:D10           | 1.4           |
| TRIGGER:A:LOWERTHRESHOLD:D11           | 1.4           |

Table C-1: Default values (cont.)

| Command                           | Default value |
|-----------------------------------|---------------|
| TRIGGER:A:LOWERTHRESHOLD:D12      | 1.4           |
| TRIGGER:A:LOWERTHRESHOLD:D13      | 1.4           |
| TRIGGER:A:LOWERTHRESHOLD:D14      | 1.4           |
| TRIGGER:A:LOWERTHRESHOLD:D15      | 1.4           |
| TRIGGER:A:LOWERTHRESHOLD:D2       | 1.4           |
| TRIGGER:A:LOWERTHRESHOLD:D3       | 1.4           |
| TRIGGER:A:LOWERTHRESHOLD:D4       | 1.4           |
| TRIGGER:A:LOWERTHRESHOLD:D5       | 1.4           |
| TRIGGER:A:LOWERTHRESHOLD:D6       | 1.4           |
| TRIGGER:A:LOWERTHRESHOLD:D7       | 1.4           |
| TRIGGER:A:LOWERTHRESHOLD:D8       | 1.4           |
| TRIGGER:A:LOWERTHRESHOLD:D9       | 1.4           |
| TRIGGER:A:LOWERTHRESHOLD:EXT      | 0.00E+00      |
| TRIGGER:A:MODE                    | AUTO          |
| TRIGGER:A:PULSE:CLASS             | WIDTH         |
| TRIGGER:A:PULSEWIDTH:POLARITY     | POSITIVE      |
| TRIGGER:A:PULSEWIDTH:WHEN         | LESSTHAN      |
| TRIGGER:A:PULSEWIDTH:WIDTH        | 8.00E-09      |
| TRIGGER:A:RUNT:POLARITY           | POSITIVE      |
| TRIGGER:A:RUNT:WHEN               | OCCURS        |
| TRIGGER:A:RUNT:WIDTH              | 8.00E-09      |
| TRIGGER:A:SETHOLD:CLOCK:EDGE      | RISE          |
| TRIGGER:A:SETHOLD:CLOCK:SOURCE    | CH1           |
| TRIGGER:A:SETHOLD:CLOCK:THRESHOLD | 0.00E+00      |
| TRIGGER:A:SETHOLD:DATA:SOURCE     | NONE          |
| TRIGGER:A:SETHOLD:DATA:THRESHOLD  | 9.91E+37      |
| TRIGGER:A:SETHOLD:HOLDTIME        | 8.00E-09      |
| TRIGGER:A:SETHOLD:SETTIME         | 8.00E-09      |
| TRIGGER:A:SETHOLD:THRESHOLD:CH1   | 0.00E+00      |
| TRIGGER:A:SETHOLD:THRESHOLD:CH2   | 0.00E+00      |
| TRIGGER:A:SETHOLD:THRESHOLD:D0    | 1.4           |
| TRIGGER:A:SETHOLD:THRESHOLD:D1    | 1.4           |
| TRIGGER:A:SETHOLD:THRESHOLD:D10   | 1.4           |
| TRIGGER:A:SETHOLD:THRESHOLD:D11   | 1.4           |
| TRIGGER:A:SETHOLD:THRESHOLD:D12   | 1.4           |
| TRIGGER:A:SETHOLD:THRESHOLD:D13   | 1.4           |
| TRIGGER:A:SETHOLD:THRESHOLD:D14   | 1.4           |

Table C-1: Default values (cont.)

| Command                             | Default value |
|-------------------------------------|---------------|
| TRIGGER:A:SETHOLD:THRESHOLD:D15     | 1.4           |
| TRIGGER:A:SETHOLD:THRESHOLD:D2      | 1.4           |
| TRIGGER:A:SETHOLD:THRESHOLD:D3      | 1.4           |
| TRIGGER:A:SETHOLD:THRESHOLD:D4      | 1.4           |
| TRIGGER:A:SETHOLD:THRESHOLD:D5      | 1.4           |
| TRIGGER:A:SETHOLD:THRESHOLD:D6      | 1.4           |
| TRIGGER:A:SETHOLD:THRESHOLD:D7      | 1.4           |
| TRIGGER:A:SETHOLD:THRESHOLD:D8      | 1.4           |
| TRIGGER:A:SETHOLD:THRESHOLD:D9      | 1.4           |
| TRIGGER:A:TRANSITION:DELTATIME      | 8.00E-09      |
| TRIGGER:A:TRANSITION:POLARITY       | POSITIVE      |
| TRIGGER:A:TRANSITION:WHEN           | SLOWER        |
| TRIGGER:A:TYPE                      | EDGE          |
| TRIGGER:A:UPPERTHRESHOLD:CH1        | 8.00E-01      |
| TRIGGER:A:UPPERTHRESHOLD:CH2        | 8.00E-01      |
| TRIGGER:A:VIDEO:CUSTOM:FORMAT       | PROGRESSIVE   |
| TRIGGER:A:VIDEO:CUSTOM:LINEPERIOD   | 6.36E-05      |
| TRIGGER:A:VIDEO:CUSTOM:SYNCINTERVAL | 4.72E-06      |
| TRIGGER:A:VIDEO:HOLDOFF:FIELD       | 0.00E+00      |
| TRIGGER:A:VIDEO:LINE                | 1             |
| TRIGGER:A:VIDEO:POLARITY            | POSITIVE      |
| TRIGGER:A:VIDEO:STANDARD            | NTSC          |
| TRIGGER:A:VIDEO:SYNC                | ALLLINES      |
| TRIGGER:B:BY                        | TIME          |
| TRIGGER:B:EDGE:COUPLING             | DC            |
| TRIGGER:B:EDGE:SLOPE                | RISE          |
| TRIGGER:B:EDGE:SOURCE               | CH1           |
| TRIGGER:B:EVENTS:COUNT              | 1             |
| TRIGGER:B:LEVEL                     | 0.00E+00      |
| TRIGGER:B:LEVEL:CH1                 | 0.00E+00      |
| TRIGGER:B:LEVEL:CH2                 | 0.00E+00      |
| TRIGGER:B:LEVEL:D0                  | 1.4           |
| TRIGGER:B:LEVEL:D1                  | 1.4           |
| TRIGGER:B:LEVEL:D10                 | 1.4           |
| TRIGGER:B:LEVEL:D11                 | 1.4           |
| TRIGGER:B:LEVEL:D12                 | 1.4           |
| TRIGGER:B:LEVEL:D13                 | 1.4           |

Table C-1: Default values (cont.)

| Command                      | Default value |
|------------------------------|---------------|
| TRIGGER:B:LEVEL:D14          | 1.4           |
| TRIGGER:B:LEVEL:D15          | 1.4           |
| TRIGGER:B:LEVEL:D2           | 1.4           |
| TRIGGER:B:LEVEL:D3           | 1.4           |
| TRIGGER:B:LEVEL:D4           | 1.4           |
| TRIGGER:B:LEVEL:D5           | 1.4           |
| TRIGGER:B:LEVEL:D6           | 1.4           |
| TRIGGER:B:LEVEL:D7           | 1.4           |
| TRIGGER:B:LEVEL:D8           | 1.4           |
| TRIGGER:B:LEVEL:D9           | 1.4           |
| TRIGGER:B:LOWERTHRESHOLD:CH1 | 0.00E+00      |
| TRIGGER:B:LOWERTHRESHOLD:CH2 | 0.00E+00      |
| TRIGGER:B:LOWERTHRESHOLD:D0  | 1.4           |
| TRIGGER:B:LOWERTHRESHOLD:D1  | 1.4           |
| TRIGGER:B:LOWERTHRESHOLD:D10 | 1.4           |
| TRIGGER:B:LOWERTHRESHOLD:D11 | 1.4           |
| TRIGGER:B:LOWERTHRESHOLD:D12 | 1.4           |
| TRIGGER:B:LOWERTHRESHOLD:D13 | 1.4           |
| TRIGGER:B:LOWERTHRESHOLD:D14 | 1.4           |
| TRIGGER:B:LOWERTHRESHOLD:D15 | 1.4           |
| TRIGGER:B:LOWERTHRESHOLD:D2  | 1.4           |
| TRIGGER:B:LOWERTHRESHOLD:D3  | 1.4           |
| TRIGGER:B:LOWERTHRESHOLD:D4  | 1.4           |
| TRIGGER:B:LOWERTHRESHOLD:D5  | 1.4           |
| TRIGGER:B:LOWERTHRESHOLD:D6  | 1.4           |
| TRIGGER:B:LOWERTHRESHOLD:D7  | 1.4           |
| TRIGGER:B:LOWERTHRESHOLD:D8  | 1.4           |
| TRIGGER:B:LOWERTHRESHOLD:D9  | 1.4           |
| TRIGGER:B:STATE              | 0             |
| TRIGGER:B:TIME               | 8.00E-09      |
| TRIGGER:B:TYPE               | EDGE          |
| TRIGGER:B:UPPERTHRESHOLD:CH1 | 8.00E-01      |
| TRIGGER:B:UPPERTHRESHOLD:CH2 | 8.00E-01      |
| TRIGGER:EXTERNAL:PROBE       | 1             |
| VERBOSE                      | 1             |
| ZOOM:GRATICULE:SIZE          | 80            |
| ZOOM:GRATICULE:SPLIT         | EIGHTYTWENTY  |



Table C-1: Default values (cont.)

| Command                        | Default value |
|--------------------------------|---------------|
| ZOOM:MODE                      | 0             |
| ZOOM:ZOOM1:HORIZONTAL:POSITION | 50            |
| ZOOM:ZOOM1:HORIZONTAL:SCALE    | 4.00E-06      |
| ZOOM:ZOOM1:POSITION            | 50            |
| ZOOM:ZOOM1:SCALE               | 4.00E-06      |
| ZOOM:ZOOM1:STATE               | 0             |



---

## Appendix D: Programming Example

The following series of commands and queries illustrate many of the most common commands and techniques. In this example, data sent from the controller computer to the oscilloscope is prefaced with the > symbol. Replies from the oscilloscope have no preface.

```
> rem "Check for any messages, and clear them from the queue."
```

```
> *esr?
```

```
128
```

```
> allev?
```

```
:ALLEV 401,"Power on; "
```

```
> rem "Set the scope to the default state."
```

```
> factory
```

```
> rem "Set the scope parameters that differ from the defaults."
```

```
> ch1:scale 2.0
```

```
> hor:m:scale 100e-6
```

```
> trig:a:level 2.4
```

```
> rem "Start a single sequence acquisition."
```

```
> acquire:stopafter sequence
```

```
> acquire:state on
```

```
> rem "Wait for the acquisition to complete."
```

```
> rem "Note: your controller program time-out must be set long enough to handle the wait."
```

```
> *opc?
```

```
1
```

```
> rem "Use the oscilloscope built-in measurements to measure the waveform you acquired."
```

```
> measu:immed:type mean
```

```
> measu:immed:value?
```

```
:MEASUREMENT:IMMED:VALUE 1.2767
```

```
> rem "Be sure to use the *esr? query to check for measurement errors."
```

```
> measu:immed:type freq
```

```
> measu:immed:value
```

```
:MEASUREMENT:IMMED:VALUE 9.9100E+37
```

```
> *esr?
```

```
16
```

```
> allev?
```

```
:ALLEV 2202,"Measurement error, No period found "
```

```
> rem "Query out the waveform points, for later analysis on your controller  
computer."
```

```
> data:encdg ascii
```

```
> curve?
```

```
:CURVE 7,6,5,5,5,6,6,8 [...]
```

```
> rem "Query out the parameters used for calculating the times and voltages of  
the waveform points."
```

```
> wfmpre?
```

```
:WFMPRE:BYT_NR 1;BIT_NR 8;ENCDG ASCII;BN_FMT RI;BYT_OR  
MSB;NR_PT 10000; [...]
```

# Index

## A

ACQUIRE:MAXSAMPLERATE?, 2-70  
ACQUIRE?, 2-69  
ACQUIRE:MAGNIVU, 2-69  
ACQUIRE:MODE, 2-70  
ACQUIRE:NUMACQ?, 2-71  
ACQUIRE:NUMAVG, 2-71  
ACQUIRE:STATE, 2-72  
ACQUIRE:STOPAFTER, 2-73  
Acquisition Command Group, 2-11  
Alias Command Group, 2-12  
ALIAS, 2-73  
ALIAS[:STATE], 2-76  
ALIAS:CATALOG?, 2-74  
ALIAS:DEFINE, 2-74  
ALIAS:DELETE, 2-75  
ALIAS:DELETE[:NAME], 2-76  
ALIAS:DELETE:ALL, 2-76  
ALLEV?, 2-77  
AUTOSet, 2-77  
AUTOSet:ENABLE, 2-78  
AUXIN:PROBE:AUTOZERO, 2-79  
AUXIN:PROBE:DEGAUSS:STATE?, 2-80  
AUXIN:PROBE:FORCEDRANGE, 2-80  
AUXIN:PROBE:ID:SERNUMBER?, 2-81  
AUXIN:PROBE:ID:TYPE?, 2-81  
AUXIN:PROBE:RESISTANCE?, 2-81  
AUXIN?, 2-78  
AUXIN:PROBE, 2-78  
AUXIN:PROBE:COMMAND, 2-79  
AUXIN:PROBE:DEGAUSS, 2-80  
AUXIN:PROBE:GAIN, 2-81  
AUXIN:PROBE:SIGNAL, 2-82  
AUXIN:PROBE:UNITS?, 2-82

## B

BUS, 2-83  
BUS:B<1-4>:AUDIO:BITDELAY, 2-83  
BUS:B<1-4>:AUDIO:BITORDER, 2-83  
BUS:B<1-4>:AUDIO:CHANNEL:SIZE, 2-84  
BUS:B<1-4>:AUDIO:CLOCK:POLARITY, 2-84  
BUS:B<1-4>:AUDIO:CLOCK:SOURCE, 2-85  
BUS:B<1-4>:AUDIO:DATA:POLARITY, 2-86

BUS:B<1-4>:AUDIO:DATA:SIZE, 2-86  
BUS:B<1-4>:AUDIO:DATA:SOURCE, 2-87  
BUS:B<1-4>:AUDIO:DISPLAY:FORMAT, 2-87  
BUS:B<1-4>:AUDIO:FRAME:SIZE, 2-88  
BUS:B<1-4>:AUDIO:FRAMESync:POLARITY, 2-88  
BUS:B<1-4>:AUDIO:FRAMESync:SOURCE, 2-89  
BUS:B<1-4>:AUDIO:TYPE, 2-89  
BUS:B<1-4>:AUDIO:WORDSel:POLARITY, 2-90  
BUS:B<1-4>:AUDIO:WORDSel:SOURCE, 2-90  
BUS:B<x>:CAN:BITRATE, 2-91  
BUS:B<x>:CAN:PROBE, 2-92  
BUS:B<x>:CAN:SAMPLEPOINT, 2-92  
BUS:B<x>:CAN:SOURCE, 2-92  
BUS:B<x>:DISPLAY:FORMAT, 2-93  
BUS:B<x>:DISPLAY:TYPE, 2-93  
BUS:B<x>:FLEXRAY:BITRATE, 2-94  
BUS:B<x>:FLEXRAY:CHANNEL, 2-94  
BUS:B<x>:FLEXRAY:SIGNAL, 2-95  
BUS:B<x>:FLEXRAY:SOURCE, 2-95  
BUS:B<x>:I2C:ADDRESS:RWINCLUDE, 2-96  
BUS:B<x>:I2C{:CLOCK|:SCLK}:SOURCE, 2-96  
BUS:B<x>:I2C{:DATA|:SDATA}:SOURCE, 2-97  
BUS:B<x>:LIN:BITRATE, 2-97  
BUS:B<x>:LIN:IDFORMAT, 2-98  
BUS:B<x>:LIN:POLARITY, 2-98  
BUS:B<x>:LIN:SAMPLEPOINT, 2-99  
BUS:B<x>:LIN:SOURCE, 2-99  
BUS:B<x>:LIN:STANDARD, 2-100  
BUS:B<x>:PARALLEL:BIT<x>:SOURCE, 2-100  
BUS:B<x>:PARALLEL:CLOCK:EDGE, 2-100  
BUS:B<x>:PARALLEL:CLOCK:ISCLOCKED, 2-101  
BUS:B<x>:PARALLEL:CLOCK:SOURCE, 2-101  
BUS:B<x>:PARALLEL:WIDTH, 2-101  
BUS:B<x>:POSITION, 2-102  
BUS:B<x>:RS232C:BITRATE, 2-102  
BUS:B<x>:RS232C:DATABITS, 2-103  
BUS:B<x>:RS232C:DELIMITER, 2-103  
BUS:B<x>:RS232C:DISPLAYMODE, 2-103  
BUS:B<x>:RS232C:PARITY, 2-104  
BUS:B<x>:RS232C:POLARITY, 2-104  
BUS:B<x>:RS232C:RX:SOURCE, 2-105  
BUS:B<x>:RS232C:TX:SOURCE, 2-105  
BUS:B<x>:SPI:BITORDER, 2-105  
BUS:B<x>:SPI:DATA:SIZE, 2-108

BUS:B<x>:SPI:DATA {IN|MISO}:POLARity, 2-107  
 BUS:B<x>:SPI:DATA {IN|MISO}:SOURce, 2-107  
 BUS:B<x>:SPI:DATA {OUT|MOSI}:  
   POLARity, 2-107  
 BUS:B<x>:SPI:DATA {OUT|MOSI}:SOURce, 2-108  
 BUS:B<x>:SPI:FRAMING, 2-109  
 BUS:B<x>:SPI:IDLETime, 2-109  
 BUS:B<x>:SPI {CLOCK|SCLK}:POLARity, 2-106  
 BUS:B<x>:SPI {CLOCK|SCLK}:SOURce, 2-106  
 BUS:B<x>:SPI {SELEct|SS}:POLARity, 2-109  
 BUS:B<x>:SPI {SELEct|SS}:SOURce, 2-110  
 BUS:LOWerthreshold:CH<x>, 2-111  
 BUS:THReshold:CH<x>, 2-112  
 BUS:THReshold:D<x>, 2-112  
 BUS:UPPerthreshold:CH<x>, 2-113  
 BUS:B<x>:LABel, 2-97  
 BUS:B<x>:STATE, 2-110  
 BUS:B<x>:TYPE, 2-111  
 BUSY?, 2-113

## C

\*CAL?, 2-114  
 CALibrate:FACTory:STATus?, 2-114  
 CALibrate:INTERNAal:START, 2-115  
 CALibrate:INTERNAal:STATus?, 2-115  
 CALibrate:REsults:FACTory?, 2-116  
 CALibrate:REsults:SPC?, 2-117  
 CALibrate:INTERNAal, 2-115  
 CALibrate:REsults?, 2-116  
 Calibration and Diagnostic Command Group, 2-17  
 CH<x>:AMPSVIAVOLTs:ENABle, 2-118  
 CH<x>:AMPSVIAVOLTs:FACTor, 2-118  
 CH<x>:PRObe:AUTOZero, 2-123  
 CH<x>:PRObe:COMMANd, 2-123  
 CH<x>:PRObe:DEGAUss, 2-124  
 CH<x>:PRObe:DEGAUss:STATE?, 2-124  
 CH<x>:PRObe:FORCEDRange, 2-125  
 CH<x>:PRObe:ID:SERnumber?, 2-126  
 CH<x>:PRObe:ID:TYPE?, 2-127  
 CH<x>:PRObe:MODEL, 2-127  
 CH<x>:PRObe:PROPDELay, 2-127  
 CH<x>:PRObe:RECDESkew?, 2-128  
 CH<x>:PRObe:RESistance?, 2-128  
 CH<x>:PRObe:SIGnal, 2-128  
 CH<x>:PRObe:UNIts?, 2-129  
 CH<x>:TERmination, 2-130  
 CH<x>?, 2-117  
 CH<x>:BANdwidth, 2-118  
 CH<x>:COUPling, 2-119  
 CH<x>:DESKew, 2-120  
 CH<x>:INVert, 2-120  
 CH<x>:LABel, 2-121  
 CH<x>:OFFSet, 2-121  
 CH<x>:POSition, 2-122  
 CH<x>:PRObe?, 2-123  
 CH<x>:PRObe:GAIN, 2-125  
 CH<x>:PRObe:ID?, 2-126  
 CH<x>:SCAle, 2-129  
 CH<x>:YUNits, 2-131  
 CLEARMenu, 2-131  
 \*CLS, 2-131  
 Command Groups, 2-11  
 Cursor Command Group, 2-17  
 CURSor:HBArS:POSITION<x>, 2-134  
 CURSor:VBArS:ALTERNATE<x>?, 2-136  
 CURSor:VBArS:HPOS<x>?, 2-137  
 CURSor:VBArS:POSITION<x>, 2-138  
 CURSor:VBArS:VDELTA?, 2-139  
 CURSor:XY:POLar:RADIUS:DELta?, 2-140  
 CURSor:XY:POLar:RADIUS:POSITION<x>?, 2-140  
 CURSor:XY:POLar:RADIUS:UNIts?, 2-140  
 CURSor:XY:POLar:THETA:DELta?, 2-141  
 CURSor:XY:POLar:THETA:POSITION<x>?, 2-141  
 CURSor:XY:POLar:THETA:UNIts?, 2-141  
 CURSor:XY:PRODUCT:DELta?, 2-141  
 CURSor:XY:PRODUCT:POSITION<x>?, 2-142  
 CURSor:XY:PRODUCT:UNIts?, 2-142  
 CURSor:XY:RATIO:DELta?, 2-142  
 CURSor:XY:RATIO:POSITION<x>?, 2-142  
 CURSor:XY:RATIO:UNIts?, 2-143  
 CURSor:XY:RECTangular:X:DELta?, 2-143  
 CURSor:XY:RECTangular:X:POSITION<x>, 2-143  
 CURSor:XY:RECTangular:X:UNIts?, 2-144  
 CURSor:XY:RECTangular:Y:DELta?, 2-144  
 CURSor:XY:RECTangular:Y:POSITION<x>, 2-144  
 CURSor:XY:RECTangular:Y:UNIts?, 2-145  
 CURSor?, 2-132  
 CURSor:DDT?, 2-132  
 CURSor:FUNCTion, 2-133  
 CURSor:HBArS?, 2-133  
 CURSor:HBArS:DELTA?, 2-133  
 CURSor:HBArS:UNIts, 2-134  
 CURSor:HBArS:USE, 2-135  
 CURSor:MODE, 2-135

CURSor:VBArS?, 2-136  
 CURSor:VBArS:DELTA?, 2-137  
 CURSor:VBArS:UNIts, 2-138  
 CURSor:VBArS:USE, 2-139  
 CURSor:XY:READOUT, 2-143  
 CURVe, 2-145

## D

D<x>, 2-162  
 D<x>:LABel, 2-163  
 D<x>:POSition, 2-163  
 D<x>:THREShold, 2-164  
 DATA, 2-146  
 DATA:DESTination, 2-147  
 DATA:ENCdg, 2-147  
 DATA:SOUrce, 2-149  
 DATA:STARt, 2-150  
 DATA:STOP, 2-150  
 DATE, 2-151  
 \*DDT, 2-152  
 DESE, 2-152  
 DESkew, 2-153  
 DESkew:DISPlay, 2-154  
 DIAg:LOOP:OPTion:NTIMes, 2-154  
 DIAg:SELEct:<function>, 2-157  
 DIAg:LOOP:OPTion, 2-154  
 DIAg:LOOP:STOP, 2-155  
 DIAg:RESUlt:FLAg?, 2-155  
 DIAg:RESUlt:LOG?, 2-156  
 DIAg:SELEct, 2-156  
 DIAg:STATE, 2-157  
 Display Command Group, 2-19  
 DISPlay:DIGital:HEIght, 2-158  
 DISPlay:INTENSITy:BACKLight, 2-160  
 DISPlay:INTENSITy:GRATicule, 2-160  
 DISPlay:INTENSITy:WAVEform, 2-161  
 DISPlay:STYle:DOTSonly, 2-162  
 DISPlay?, 2-158  
 DISPlay:CLOCK, 2-158  
 DISPlay:FORMat, 2-159  
 DISPlay:GRATicule, 2-159  
 DISPlay:INTENSITy?, 2-160  
 DISPlay:PERSistence, 2-161

## E

\*ESE, 2-164

\*ESR?, 2-165  
 Ethernet Command Group, 2-20  
 ETHERnet:DNS:IPADdress, 2-166  
 ETHERnet:ENET:ADdress?, 2-167  
 ETHERnet:GATEWay:IPADdress, 2-167  
 ETHERnet:PING:STATUS?, 2-169  
 ETHERnet:DHCPbootp, 2-165  
 ETHERnet:DOMAINname, 2-166  
 ETHERnet:HTTTPort, 2-167  
 ETHERnet:IPADdress, 2-168  
 ETHERnet:NAME, 2-168  
 ETHERnet:PASSWord, 2-169  
 ETHERnet:PING, 2-169  
 ETHERnet:SUBNETMask, 2-170  
 EVENT?, 2-170  
 EVMsg?, 2-171  
 EVQty?, 2-171

## F

FACTory, 2-172  
 File System Command Group, 2-21  
 FILESystem:FREESpace?, 2-175  
 FILESystem:WRITEFile, 2-178  
 FILESystem?, 2-173  
 FILESystem:CWD, 2-173  
 FILESystem:DELEte, 2-174  
 FILESystem:DIR?, 2-174  
 FILESystem:FORMat, 2-175  
 FILESystem:MKDir, 2-176  
 FILESystem:READFile, 2-176  
 FILESystem:REName, 2-177  
 FILESystem:RMDir, 2-177  
 FPAnel:PRESS, 2-178  
 FPAnel:TURN, 2-180

## G

GPIBUsb:ADdress?, 2-181  
 GPIBUsb:ID?, 2-181

## H

Hard copy Command Group, 2-22  
 HARDCopy, 2-181  
 HARDCopy:ACTIVeprinter, 2-182  
 HARDCopy:PRINTer:ADD, 2-184  
 HARDCopy:PRINTer:DELEte, 2-184  
 HARDCopy:PRINTer:LIST?, 2-185

HARDCopy:PRINTEr:REName, 2-185  
 HARDCopy:INKSaver, 2-182  
 HARDCopy:LAYout, 2-183  
 HARDCopy:PREVIEW, 2-184  
 HEADer, 2-185  
 Horizontal Command Group, 2-24  
 HORizontal:DELay:MODE, 2-186  
 HORizontal:DELay:TIME, 2-187  
 HORizontal:DIGital:RECOrdlength:  
   MAGnivu?, 2-188  
 HORizontal:DIGital:RECOrdlength:MAIN?, 2-188  
 HORizontal:DIGital:SAMPLERate:MAGnivu?, 2-188  
 HORizontal:DIGital:SAMPLERate:MAIN?, 2-188  
 HORizontal:PREViewstate?, 2-189  
 HORizontal:RECOrdlength, 2-189  
 HORizontal:SAMPLERate, 2-190  
 HORizontal?, 2-186  
 HORizontal:POSition, 2-188  
 HORizontal:SCALE, 2-190

**I**

ID?, 2-191  
 \*IDN?, 2-191

**L**

LANGUage, 2-191  
 LOCK, 2-192  
 \*LRN?, 2-192

**M**

Mark Command Group, 2-24  
 MARK, 2-193  
 MARK:SELEcted:FOCUS?, 2-195  
 MARK:SELEcted:MARKSINCOLumn?, 2-195  
 MARK:SELEcted:OWNer?, 2-196  
 MARK:SELEcted:SOURCER?, 2-196  
 MARK:SELEcted:STARt?, 2-196  
 MARK:SELEcted:STATe?, 2-196  
 MARK:SELEcted:ZOOm:POSition?, 2-197  
 MARK:CREATE, 2-194  
 MARK:DELEte, 2-194  
 MARK:FREE?, 2-195  
 MARK:SELEcted:END?, 2-195  
 MARK:TOTAL?, 2-197  
 Math Command Group, 2-26  
 MATH[1]:HORizontal:POSition, 2-199

MATH[1]:HORizontal:SCALE, 2-200  
 MATH[1]:HORizontal:UNIts, 2-200  
 MATH[1]:SPECTral:MAG, 2-201  
 MATH[1]:SPECTral:WINDow, 2-201  
 MATH[1]:VERTical:POSition, 2-202  
 MATH[1]:VERTical:SCALE, 2-203  
 MATH[1]:VERTical:UNIts, 2-203  
 MATH[1]?, 2-197  
 MATH[1]:DEFine, 2-198  
 MATH[1]:TYPE, 2-202  
 {MATH|MATH1}:LABel, 2-197  
 MATHVAR?, 2-204  
 MATHVAR:VAR<x>, 2-204  
 Measurement Command Group, 2-27  
 MEASUREMENT:CLARSNapshot, 2-206  
 MEASUREMENT:IMMED:DELay:DIRection, 2-207  
 MEASUREMENT:IMMED:DELay:EDGE<x>, 2-208  
 MEASUREMENT:IMMED:DELay?, 2-207  
 MEASUREMENT:IMMED:SOURce, 2-208  
 MEASUREMENT:IMMED:SOURce<x>, 2-210  
 MEASUREMENT:IMMED:SOURce2, 2-209  
 MEASUREMENT:IMMED:TYPE, 2-210  
 MEASUREMENT:IMMED:UNIts?, 2-213  
 MEASUREMENT:IMMED:VALue?, 2-214  
 MEASUREMENT:INDICators:HORZ<x>?, 2-214  
 MEASUREMENT:INDICators:NUMHORZ?, 2-215  
 MEASUREMENT:INDICators:NUMVERT?, 2-215  
 MEASUREMENT:INDICators:STATE, 2-216  
 MEASUREMENT:INDICators:VERT<x>?, 2-216  
 MEASUREMENT:INDICators?, 2-214  
 MEASUREMENT:MEAS<x>:COUNt?, 2-217  
 MEASUREMENT:MEAS<x>:DELay:DIRection, 2-218  
 MEASUREMENT:MEAS<x>:DELay:EDGE<x>, 2-218  
 MEASUREMENT:MEAS<x>:DELay?, 2-217  
 MEASUREMENT:MEAS<x>:MAXimum?, 2-219  
 MEASUREMENT:MEAS<x>:MEAN?, 2-219  
 MEASUREMENT:MEAS<x>:MINimum?, 2-219  
 MEASUREMENT:MEAS<x>:SOURCER[1], 2-220  
 MEASUREMENT:MEAS<x>:SOURce<x>, 2-221  
 MEASUREMENT:MEAS<x>:SOURCER2, 2-220  
 MEASUREMENT:MEAS<x>:STATE, 2-222  
 MEASUREMENT:MEAS<x>:STDdev?, 2-222  
 MEASUREMENT:MEAS<x>:TYPE, 2-223  
 MEASUREMENT:MEAS<x>:UNIts?, 2-225  
 MEASUREMENT:MEAS<x>:VALue?, 2-226  
 MEASUREMENT:MEAS<x>?, 2-217  
 MEASUREMENT:REFLevel:ABSolute:HIGH, 2-227



MEASUrement:REFLevel:ABSolute:LOW, 2-228  
 MEASUrement:REFLevel:ABSolute:MID, 2-229  
 MEASUrement:REFLevel:ABSolute:MID<x>, 2-230  
 MEASUrement:REFLevel:ABSolute:MID2, 2-229  
 MEASUrement:REFLevel:METhod, 2-230  
 MEASUrement:REFLevel:PERCent:HIGH, 2-231  
 MEASUrement:REFLevel:PERCent:LOW, 2-232  
 MEASUrement:REFLevel:PERCent:MID, 2-232  
 MEASUrement:REFLevel:PERCent:MID<x>, 2-234  
 MEASUrement:REFLevel:PERCent:MID2, 2-233  
 MEASUrement:REFLevel?, 2-227  
 MEASUrement:SNAPShot, 2-234  
 MEASUrement:STATIstics, 2-234  
 MEASUrement:STATIstics:MODE, 2-234  
 MEASUrement:STATIstics:WEIghting, 2-235  
 MEASUrement?, 2-205  
 MEASUrement:GATing, 2-206  
 MEASUrement:IMMed?, 2-206  
 MEASUrement:METhod, 2-226  
 MESSAge, 2-236  
 MESSAge:BOX, 2-236  
 MESSAge:CLEAR, 2-237  
 MESSAge:SHOW, 2-237  
 MESSAge:STATE, 2-240  
 Miscellaneous Command Group, 2-30

## N

NEWpass, 2-240

## O

\*OPC, 2-241

## P

PASSWord, 2-242  
 PICTBridge:DATEPrint, 2-242  
 PICTBridge:IMAGESize, 2-244  
 PICTBridge:PAPERSize, 2-245  
 PICTBridge:PAPERType, 2-246  
 PICTBridge:PRINTQual, 2-247  
 PICTBridge:DEFAult, 2-243  
 PICTBridge:IDPrint, 2-243  
 POWER:HARMonics:DISPlay:SELEct, 2-249  
 POWER:HARMonics:DISPlay:TYPE, 2-250  
 POWER:HARMonics:FREQRef, 2-250  
 POWER:HARMonics:FREQRef:  
     FIXEDFREQValue, 2-251

POWER:HARMonics:IEC:CLAss, 2-252  
 POWER:HARMonics:IEC:FILter, 2-252  
 POWER:HARMonics:IEC:FUNDamental, 2-253  
 POWER:HARMonics:IEC:GROUPing, 2-253  
 POWER:HARMonics:IEC:INPUTPOWer, 2-254  
 POWER:HARMonics:IEC:LINEFREQuency, 2-254  
 POWER:HARMonics:IEC:OBSPERiod, 2-255  
 POWER:HARMonics:IEC:POWERFACTOR, 2-255  
 POWER:HARMonics:MIL:FUNDamental:  
     CALCmethod, 2-256  
 POWER:HARMonics:MIL:FUNDamental:USER:  
     CURRent, 2-256  
 POWER:HARMonics:MIL:LINEFREQuency, 2-257  
 POWER:HARMonics:MIL:POWERLEVel, 2-257  
 POWER:HARMonics:NR\_HARMonics, 2-258  
 POWER:HARMonics:RESults:HAR<1-400>:  
     FREQuency?, 2-258  
 POWER:HARMonics:RESults:HAR<1-400>:  
     IECMAX?, 2-259  
 POWER:HARMonics:RESults:HAR<1-400>:  
     LIMit?, 2-259  
 POWER:HARMonics:RESults:HAR<1-400>:  
     PHASe?, 2-260  
 POWER:HARMonics:RESults:HAR<1-400>:RMS:  
     ABSolute?, 2-260  
 POWER:HARMonics:RESults:HAR<1-400>:RMS:  
     PERCent?, 2-261  
 POWER:HARMonics:RESults:HAR<1-400>:TEST:  
     IEC:CLASSALIMit?, 2-261  
 POWER:HARMonics:RESults:HAR<1-400>:TEST:  
     IEC:NORMAL?, 2-262  
 POWER:HARMonics:RESults:HAR<1-400>:TEST:  
     IEC:POHCLIMit?, 2-262  
 POWER:HARMonics:RESults:HAR<1-400>:TEST:  
     MIL:NORMAL?, 2-262  
 POWER:HARMonics:RESults:IEC:  
     FUNDamental?, 2-263  
 POWER:HARMonics:RESults:IEC:  
     HARM3ALTernate?, 2-263  
 POWER:HARMonics:RESults:IEC:  
     HARM5ALTernate?, 2-264  
 POWER:HARMonics:RESults:IEC:POHC?, 2-264  
 POWER:HARMonics:RESults:IEC:POHL?, 2-265  
 POWER:HARMonics:RESults:IEC:POWER?, 2-265  
 POWER:HARMonics:RESults:IEC:  
     POWERFactor?, 2-265  
 POWER:HARMonics:RESults:PASSFail?, 2-266

- POWer:HARMonics:RESults:RMS?, 2-266
- POWer:HARMonics:RESults:SAVe, 2-266
- POWer:HARMonics:RESults:THDF?, 2-267
- POWer:HARMonics:RESults:THDR?, 2-267
- POWer:HARMonics:SOURce, 2-267
- POWer:HARMonics:STANdard, 2-268
- POWer:MODulation:SOURce, 2-269
- POWer:MODulation:TYPe, 2-270
- POWer:QUALity:APPpwr?, 2-271
- POWer:QUALity:DISplay:APPpwr, 2-271
- POWer:QUALity:DISplay:FREQuency, 2-271
- POWer:QUALity:DISplay:ICRESTfactor, 2-272
- POWer:QUALity:DISplay:IRMS, 2-272
- POWer:QUALity:DISplay:PHASEangle, 2-273
- POWer:QUALity:DISplay:POWERFActor, 2-273
- POWer:QUALity:DISplay:REACTpwr, 2-274
- POWer:QUALity:DISplay:TRUEpwr, 2-275
- POWer:QUALity:DISplay:VCRESTfactor, 2-275
- POWer:QUALity:DISplay:VRMS, 2-276
- POWer:QUALity:FREQREference, 2-276
- POWer:QUALity:FREQuency?, 2-277
- POWer:QUALity:ICRESTfactor?, 2-277
- POWer:QUALity:PHASEangle?, 2-278
- POWer:QUALity:POWERFActor?, 2-278
- POWer:QUALity:REACTpwr?, 2-279
- POWer:QUALity:TRUEpwr?, 2-279
- POWer:REFLevel:ABSolute, 2-280
- POWer:REFLevel:ABSolute:HIGH, 2-280
- POWer:REFLevel:ABSolute:LOW, 2-280
- POWer:REFLevel:ABSolute:MID<1-3>, 2-281
- POWer:REFLevel:HYSteresis, 2-281
- POWer:REFLevel:METhod, 2-282
- POWer:REFLevel:PERCent, 2-283
- POWer:REFLevel:PERCent:HIGH, 2-283
- POWer:REFLevel:PERCent:LOW, 2-283
- POWer:REFLevel:PERCent:MID<1-3>, 2-284
- POWer:RIPlle:RESults:AMPLitude?, 2-285
- POWer:RIPlle:RESults:MAX?, 2-285
- POWer:RIPlle:RESults:MEAN?, 2-286
- POWer:RIPlle:RESults:MIN?, 2-286
- POWer:RIPlle:RESults:STDdev?, 2-286
- POWer:SOA:LINear:XMAX, 2-287
- POWer:SOA:LINear:XMIN, 2-288
- POWer:SOA:LINear:YMAX, 2-288
- POWer:SOA:LINear:YMIN, 2-289
- POWer:SOA:MASK:DEFine, 2-291
- POWer:SOA:MASK:MAXAmps, 2-292
- POWer:SOA:MASK:MAXVolts, 2-292
- POWer:SOA:MASK:MAXWatts, 2-293
- POWer:SOA:MASK:NR\_PT?, 2-293
- POWer:SOA:MASK:STATe, 2-294
- POWer:SOA:MASK:STOPOnviol, 2-294
- POWer:SOA:RESult:FAILures:QTY?, 2-295
- POWer:SOA:RESult:NUMACq?, 2-296
- POWer:SOA:RESult:STATe?, 2-296
- POWer:STATIstics:MODE, 2-297
- POWer:STATIstics:WEIghting, 2-297
- POWer:SWLoss:CONDCALCmethod, 2-298
- POWer:SWLoss:CONduction:ENERGY:MAX?, 2-298
- POWer:SWLoss:CONduction:ENERGY:MEAN?, 2-299
- POWer:SWLoss:CONduction:ENERGY:MIN?, 2-299
- POWer:SWLoss:CONduction:POWER:MAX?, 2-300
- POWer:SWLoss:CONduction:POWER:MEAN?, 2-300
- POWer:SWLoss:CONduction:POWER:MIN?, 2-300
- POWer:SWLoss:DISplay, 2-301
- POWer:SWLoss:GATe:POLarity, 2-301
- POWer:SWLoss:GATe:TURNON, 2-302
- POWer:SWLoss:NUMCYCles?, 2-302
- POWer:SWLoss:REFLevel:ABSolute:GATEMid, 2-303
- POWer:SWLoss:REFLevel:ABSolute:LOWCurrent, 2-304
- POWer:SWLoss:REFLevel:ABSolute:LOWVoltage, 2-304
- POWer:SWLoss:REFLevel:PERCent:GATEMid, 2-305
- POWer:SWLoss:REFLevel:PERCent:LOWCurrent, 2-305
- POWer:SWLoss:REFLevel:PERCent:LOWVoltage, 2-306
- POWer:SWLoss:TOFF:ENERGY:MAX?, 2-306
- POWer:SWLoss:TOFF:ENERGY:MEAN?, 2-307
- POWer:SWLoss:TOFF:ENERGY:MIN?, 2-307
- POWer:SWLoss:TOFF:POWER:MAX?, 2-308
- POWer:SWLoss:TOFF:POWER:MEAN?, 2-308
- POWer:SWLoss:TOFF:POWER:MIN?, 2-308
- POWer:SWLoss:TON:ENERGY:MAX?, 2-309
- POWer:SWLoss:TON:ENERGY:MEAN?, 2-309
- POWer:SWLoss:TON:ENERGY:MIN?, 2-309
- POWer:SWLoss:TON:POWER:MAX?, 2-310

POWER:SWLoss:TON:POWER:MEAN?, 2-310  
 POWER:SWLoss:TON:POWER:MIN?, 2-311  
 POWER:SWLoss:TOTAl:ENERGY:MAX?, 2-311  
 POWER:SWLoss:TOTAl:ENERGY:MEAN?, 2-311  
 POWER:SWLoss:TOTAl:ENERGY:MIN?, 2-312  
 POWER:SWLoss:TOTAl:POWER:MAX?, 2-312  
 POWER:SWLoss:TOTAl:POWER:MEAN?, 2-312  
 POWER:SWLoss:TOTAl:POWER:MIN?, 2-313  
 POWER:CURRENTSource, 2-247  
 POWER:DISplay, 2-248  
 POWER:GATESource, 2-248  
 POWER:GATing, 2-249  
 POWER:INDICators, 2-268  
 POWER:QUALity:IRMS?, 2-277  
 POWER:QUALity:VRMS?, 2-279  
 POWER:RIPple, 2-284  
 POWER:RIPple:SOURce, 2-287  
 POWER:SOA:LOG:XMAX, 2-289  
 POWER:SOA:LOG:XMIN, 2-290  
 POWER:SOA:LOG:YMAX, 2-290  
 POWER:SOA:LOG:YMIN, 2-291  
 POWER:SOA:PLOTTPe, 2-295  
 POWER:STATistics, 2-296  
 POWER:SWLoss:RDSON, 2-303  
 POWER:SWLoss:VCEsat, 2-313  
 POWER:TYPE, 2-314  
 POWER:VOLTAGESource, 2-315  
 \*PSC, 2-315  
 \*PUD, 2-316

## R

\*RCL, 2-317  
 RECALL:SETUp, 2-317  
 RECALL:WAVEform, 2-318  
 REF<x>:HORizontal:DELay:TIME, 2-319  
 REF<x>:HORizontal:SCALE, 2-319  
 REF<x>:VERTical:POSition, 2-320  
 REF<x>:VERTical:SCALE, 2-321  
 REF<x>?, 2-318  
 REF<x>:DATE?, 2-319  
 REF<x>:LABEL, 2-320  
 REF<x>:TIME?, 2-320  
 REM, 2-322  
 \*RST, 2-322

## S

\*SAV, 2-323  
 Save and Recall Command Group, 2-40  
 SAVe:EVENTtable:BUS<x>, 2-324  
 SAVe:IMAGe:FILEFormat, 2-325  
 SAVe:WAVEform:FILEFormat, 2-328  
 SAVe:WAVEform:GATing, 2-328  
 SAVe:ASSIgn:TYPE, 2-323  
 SAVe:IMAGe, 2-324  
 SAVe:IMAGe:INKSaver, 2-325  
 SAVe:IMAGe:LAYout, 2-326  
 SAVe:SETUp, 2-326  
 SAVe:WAVEform, 2-327  
 Search Commands Group, 2-41  
 SEARCH:SEARCH<x>:COPY, 2-330  
 SEARCH:SEARCH<x>:STATE, 2-331  
 SEARCH:SEARCH<x>:TOTAL?, 2-331  
 SEARCH:SEARCH<x>:TRIGger:A:BUS:B<1-4>:  
   AUDio:CONDition, 2-332  
 SEARCH:SEARCH<x>:TRIGger:A:BUS:B<1-4>:  
   AUDio:DATA:HIVALue, 2-332  
 SEARCH:SEARCH<x>:TRIGger:A:BUS:B<1-4>:  
   AUDio:DATA:OFFSet, 2-333  
 SEARCH:SEARCH<x>:TRIGger:A:BUS:B<1-4>:  
   AUDio:DATA:QUALifier, 2-333  
 SEARCH:SEARCH<x>:TRIGger:A:BUS:B<1-4>:  
   AUDio:DATA:VALue, 2-334  
 SEARCH:SEARCH<x>:TRIGger:A:BUS:B<1-4>:  
   AUDio:DATA:WORD, 2-334  
 SEARCH:SEARCH<x>:TRIGger:A:BUS:B<x>:  
   CAN:CONDition, 2-334  
 SEARCH:SEARCH<x>:TRIGger:A:BUS:B<x>:  
   CAN:DATA:DIRection, 2-335  
 SEARCH:SEARCH<x>:TRIGger:A:BUS:B<x>:  
   CAN:DATA:QUALifier, 2-336  
 SEARCH:SEARCH<x>:TRIGger:A:BUS:B<x>:  
   CAN:DATA:SIZE, 2-336  
 SEARCH:SEARCH<x>:TRIGger:A:BUS:B<x>:  
   CAN:DATA:VALue, 2-337  
 SEARCH:SEARCH<x>:TRIGger:A:BUS:B<x>:  
   CAN:FRAMEtype, 2-337  
 SEARCH:SEARCH<x>:TRIGger:A:BUS:B<x>:  
   CAN{IDentifier}:ADDReSS}:MODE, 2-338  
 SEARCH:SEARCH<x>:TRIGger:A:BUS:B<x>:  
   CAN{IDentifier}:ADDReSS}:VALue, 2-338  
 SEARCH:SEARCH<x>:TRIGger:A:BUS:B<x>:  
   FLEXray:CONDition, 2-339

- SEARCH:SEARCH<x>:TRIGger:A:BUS:B<x>:  
FLEXray:CYCLEcount:HIVALue, 2-339
- SEARCH:SEARCH<x>:TRIGger:A:BUS:B<x>:  
FLEXray:CYCLEcount:QUALifier, 2-340
- SEARCH:SEARCH<x>:TRIGger:A:BUS:B<x>:  
FLEXray:CYCLEcount:VALue, 2-341
- SEARCH:SEARCH<x>:TRIGger:A:BUS:B<x>:  
FLEXray:DATA:HIVALue, 2-341
- SEARCH:SEARCH<x>:TRIGger:A:BUS:B<x>:  
FLEXray:DATA:OFFSet, 2-342
- SEARCH:SEARCH<x>:TRIGger:A:BUS:B<x>:  
FLEXray:DATA:QUALifier, 2-342
- SEARCH:SEARCH<x>:TRIGger:A:BUS:B<x>:  
FLEXray:DATA:SIZE, 2-343
- SEARCH:SEARCH<x>:TRIGger:A:BUS:B<x>:  
FLEXray:DATA:VALue, 2-343
- SEARCH:SEARCH<x>:TRIGger:A:BUS:B<x>:  
FLEXray:EOFTYPE, 2-344
- SEARCH:SEARCH<x>:TRIGger:A:BUS:B<x>:  
FLEXray:ERRTYPE, 2-344
- SEARCH:SEARCH<x>:TRIGger:A:BUS:B<x>:  
FLEXray:FRAMEID:HIVALue, 2-345
- SEARCH:SEARCH<x>:TRIGger:A:BUS:B<x>:  
FLEXray:FRAMEID:QUALifier, 2-345
- SEARCH:SEARCH<x>:TRIGger:A:BUS:B<x>:  
FLEXray:FRAMEID:VALue, 2-346
- SEARCH:SEARCH<x>:TRIGger:A:BUS:B<x>:  
FLEXray:FRAMEType, 2-347
- SEARCH:SEARCH<x>:TRIGger:A:BUS:B<x>:  
FLEXray:HEADER:CRC, 2-347
- SEARCH:SEARCH<x>:TRIGger:A:BUS:B<x>:  
FLEXray:HEADER:CYCLEcount, 2-348
- SEARCH:SEARCH<x>:TRIGger:A:BUS:B<x>:  
FLEXray:HEADER:FRAMEID, 2-348
- SEARCH:SEARCH<x>:TRIGger:A:BUS:B<x>:  
FLEXray:HEADER:INDBits, 2-349
- SEARCH:SEARCH<x>:TRIGger:A:BUS:B<x>:  
FLEXray:HEADER:PAYLength, 2-349
- SEARCH:SEARCH<x>:TRIGger:A:BUS:B<x>:I2C:  
ADDRess:MODE, 2-350
- SEARCH:SEARCH<x>:TRIGger:A:BUS:B<x>:I2C:  
ADDRess:TYPE, 2-350
- SEARCH:SEARCH<x>:TRIGger:A:BUS:B<x>:I2C:  
ADDRess:VALue, 2-351
- SEARCH:SEARCH<x>:TRIGger:A:BUS:B<x>:I2C:  
CONDition, 2-351
- SEARCH:SEARCH<x>:TRIGger:A:BUS:B<x>:I2C:  
DATA:DIRection, 2-352
- SEARCH:SEARCH<x>:TRIGger:A:BUS:B<x>:I2C:  
DATA:SIZE, 2-352
- SEARCH:SEARCH<x>:TRIGger:A:BUS:B<x>:I2C:  
DATA:VALue, 2-353
- SEARCH:SEARCH<x>:TRIGger:A:BUS:B<x>:LIN:  
CONDition, 2-353
- SEARCH:SEARCH<x>:TRIGger:A:BUS:B<x>:LIN:  
DATA:HIVALue, 2-354
- SEARCH:SEARCH<x>:TRIGger:A:BUS:B<x>:LIN:  
DATA:QUALifier, 2-354
- SEARCH:SEARCH<x>:TRIGger:A:BUS:B<x>:LIN:  
DATA:SIZE, 2-355
- SEARCH:SEARCH<x>:TRIGger:A:BUS:B<x>:LIN:  
DATA:VALue, 2-355
- SEARCH:SEARCH<x>:TRIGger:A:BUS:B<x>:LIN:  
ERRTYPE, 2-356
- SEARCH:SEARCH<x>:TRIGger:A:BUS:B<x>:LIN:  
IDentifier:VALue, 2-356
- SEARCH:SEARCH<x>:TRIGger:A:BUS:B<x>:  
PARallel:VALue, 2-357
- SEARCH:SEARCH<x>:TRIGger:A:BUS:B<x>:  
RS232C:CONDition, 2-357
- SEARCH:SEARCH<x>:TRIGger:A:BUS:B<x>:  
RS232C:RX:DATA:SIZE, 2-358
- SEARCH:SEARCH<x>:TRIGger:A:BUS:B<x>:  
RS232C:RX:DATA:VALue, 2-358
- SEARCH:SEARCH<x>:TRIGger:A:BUS:B<x>:  
RS232C:TX:DATA:SIZE, 2-359
- SEARCH:SEARCH<x>:TRIGger:A:BUS:B<x>:  
RS232C:TX:DATA:VALue, 2-359
- SEARCH:SEARCH<x>:TRIGger:A:BUS:B<x>:SPI:  
CONDition, 2-359
- SEARCH:SEARCH<x>:TRIGger:A:BUS:B<x>:SPI:  
DATA:SIZE, 2-361
- SEARCH:SEARCH<x>:TRIGger:A:BUS:B<x>:SPI:  
DATA{MISO|IN}:VALue, 2-360
- SEARCH:SEARCH<x>:TRIGger:A:BUS:B<x>:SPI:  
DATA{MOSI|OUT}:VALue, 2-360
- SEARCH:SEARCH<x>:TRIGger:A:BUS:  
SOUrce, 2-361
- SEARCH:SEARCH<x>:TRIGger:A:BUS?, 2-331
- SEARCH:SEARCH<x>:TRIGger:A:EDGE:  
SLOpe, 2-362
- SEARCH:SEARCH<x>:TRIGger:A:EDGE:  
SOUrce, 2-362

- SEARCH:SEARCH<x>:TRIGger:A:LEVel, 2-362  
SEARCH:SEARCH<x>:TRIGger:A:LEVel:  
CH<x>, 2-363  
SEARCH:SEARCH<x>:TRIGger:A:LEVel:  
MATH, 2-363  
SEARCH:SEARCH<x>:TRIGger:A:LEVel:  
REF<x>, 2-364  
SEARCH:SEARCH<x>:TRIGger:A:LOGIc:  
FUNction, 2-364  
SEARCH:SEARCH<x>:TRIGger:A:LOGIc:INPut:  
CH<x>, 2-364  
SEARCH:SEARCH<x>:TRIGger:A:LOGIc:INPut:  
CLOCK:EDGE, 2-365  
SEARCH:SEARCH<x>:TRIGger:A:LOGIc:INPut:  
CLOCK:SOUrce, 2-365  
SEARCH:SEARCH<x>:TRIGger:A:LOGIc:INPut:  
D<x>, 2-366  
SEARCH:SEARCH<x>:TRIGger:A:LOGIc:INPut:  
MATH, 2-366  
SEARCH:SEARCH<x>:TRIGger:A:LOGIc:INPut:  
REF<x>, 2-366  
SEARCH:SEARCH<x>:TRIGger:A:LOGIc:PATtern:  
INPut:CH<x>, 2-367  
SEARCH:SEARCH<x>:TRIGger:A:LOGIc:PATtern:  
INPut:D<x>, 2-367  
SEARCH:SEARCH<x>:TRIGger:A:LOGIc:PATtern:  
INPut:MATH, 2-368  
SEARCH:SEARCH<x>:TRIGger:A:LOGIc:PATtern:  
INPut:REF<x>, 2-368  
SEARCH:SEARCH<x>:TRIGger:A:LOGIc:PATtern:  
WHEn, 2-368  
SEARCH:SEARCH<x>:TRIGger:A:LOGIc:PATtern:  
WHEn:LESSLimit, 2-369  
SEARCH:SEARCH<x>:TRIGger:A:LOGIc:PATtern:  
WHEn:MORELimit, 2-369  
SEARCH:SEARCH<x>:TRIGger:A:LOGIc:  
THReshold:CH<x>, 2-370  
SEARCH:SEARCH<x>:TRIGger:A:LOGIc:  
THReshold:MATH, 2-370  
SEARCH:SEARCH<x>:TRIGger:A:LOGIc:  
THReshold:REF<x>, 2-371  
SEARCH:SEARCH<x>:TRIGger:A:  
LOWerthreshold:CH<x>, 2-371  
SEARCH:SEARCH<x>:TRIGger:A:  
LOWerthreshold:MATH, 2-371  
SEARCH:SEARCH<x>:TRIGger:A:  
LOWerthreshold:REF<x>, 2-372  
SEARCH:SEARCH<x>:TRIGger:A:PULSEWidth:  
POLarity, 2-372  
SEARCH:SEARCH<x>:TRIGger:A:PULSEWidth:  
SOUrce, 2-372  
SEARCH:SEARCH<x>:TRIGger:A:PULSEWidth:  
WHEn, 2-373  
SEARCH:SEARCH<x>:TRIGger:A:PULSEWidth:  
WIDth, 2-373  
SEARCH:SEARCH<x>:TRIGger:A:RUNT:  
POLarity, 2-374  
SEARCH:SEARCH<x>:TRIGger:A:RUNT:  
SOUrce, 2-374  
SEARCH:SEARCH<x>:TRIGger:A:RUNT:  
WHEn, 2-374  
SEARCH:SEARCH<x>:TRIGger:A:RUNT:  
WIDth, 2-375  
SEARCH:SEARCH<x>:TRIGger:A:SETHold:  
CLOCK:EDGE, 2-375  
SEARCH:SEARCH<x>:TRIGger:A:SETHold:  
CLOCK:SOUrce, 2-376  
SEARCH:SEARCH<x>:TRIGger:A:SETHold:  
CLOCK:THReshold, 2-376  
SEARCH:SEARCH<x>:TRIGger:A:SETHold:DATA:  
SOUrce, 2-377  
SEARCH:SEARCH<x>:TRIGger:A:SETHold:DATA:  
THReshold, 2-377  
SEARCH:SEARCH<x>:TRIGger:A:SETHold:  
HOLDTime, 2-378  
SEARCH:SEARCH<x>:TRIGger:A:SETHold:  
SETTime, 2-378  
SEARCH:SEARCH<x>:TRIGger:A:SETHold:  
THReshold:CH<x>, 2-378  
SEARCH:SEARCH<x>:TRIGger:A:SETHold:  
THReshold:REF<x>, 2-379  
SEARCH:SEARCH<x>:TRIGger:A:SETHold:  
THReshold{:MATH|:MATH1}, 2-379  
SEARCH:SEARCH<x>:TRIGger:A:TYPe, 2-381  
SEARCH:SEARCH<x>:TRIGger:A:UPPerthreshold:  
CH<x>, 2-382  
SEARCH:SEARCH<x>:TRIGger:A:UPPerthreshold:  
MATH, 2-382  
SEARCH:SEARCH<x>:TRIGger:A:UPPerthreshold:  
REF<x>, 2-383  
SEARCH:SEARCH<x>:TRIGger:A{:TRANsition|:  
RISEFall}:DELtAtime, 2-380  
SEARCH:SEARCH<x>:TRIGger:A{:TRANsition|:  
RISEFall}:POLarity, 2-380

- SEARCH:SEARCH<x>:TRIGger:A{:TRANSition|:  
RISEFall}:SOUrce, 2-380
- SEARCH:SEARCH<x>:TRIGger:A{:TRANSition|:  
RISEFall}:WHEn, 2-381
- SEARCH?, 2-329
- SElect, 2-383
- SElect:BUS<x>, 2-383
- SElect:CH<x>, 2-384
- SElect:CONTROL, 2-384
- SElect:D<x>, 2-385
- SElect:MATH[1], 2-386
- SElect:REF<x>, 2-386
- SET?, 2-387
- SETUP<x>:DATE?, 2-388
- SETUP<x>:LABEL, 2-388
- SETUP<x>:TIME?, 2-389
- \*SRE, 2-389
- Status and Error Command Group, 2-47
- \*STB?, 2-389
- T**
- TEKSecure, 2-390
- TIME, 2-391
- TOTALuptime?, 2-392
- \*TRG, 2-392
- Trigger Command Group, 2-48
- TRIGger, 2-392
- TRIGger:A:BUS:B<1-4>:AUDio:CONDition, 2-394
- TRIGger:A:BUS:B<1-4>:AUDio:DATA:  
HIVALue, 2-395
- TRIGger:A:BUS:B<1-4>:AUDio:DATA:  
OFFSet, 2-395
- TRIGger:A:BUS:B<1-4>:AUDio:DATA:  
QUALifier, 2-396
- TRIGger:A:BUS:B<1-4>:AUDio:DATA:  
VALue, 2-396
- TRIGger:A:BUS:B<1-4>:AUDio:DATA:  
WORD, 2-397
- TRIGger:A:BUS:B<x>:CAN:CONDition, 2-397
- TRIGger:A:BUS:B<x>:CAN:DATA:DIRection, 2-398
- TRIGger:A:BUS:B<x>:CAN:DATA:QUALifier, 2-398
- TRIGger:A:BUS:B<x>:CAN:DATA:SIZE, 2-399
- TRIGger:A:BUS:B<x>:CAN:DATA:VALue, 2-399
- TRIGger:A:BUS:B<x>:CAN:FRAMeType, 2-400
- TRIGger:A:BUS:B<x>:CAN{:IDentifier|:ADDRes}:  
MODE, 2-400
- TRIGger:A:BUS:B<x>:CAN{:IDentifier|:ADDRes}:  
VALue, 2-401
- TRIGger:A:BUS:B<x>:FLEXray:CONDition, 2-401
- TRIGger:A:BUS:B<x>:FLEXray:CYCLEcount:  
HIVALue, 2-402
- TRIGger:A:BUS:B<x>:FLEXray:CYCLEcount:  
QUALifier, 2-403
- TRIGger:A:BUS:B<x>:FLEXray:CYCLEcount:  
VALue, 2-403
- TRIGger:A:BUS:B<x>:FLEXray:DATA:  
HIVALue, 2-404
- TRIGger:A:BUS:B<x>:FLEXray:DATA:  
OFFSet, 2-404
- TRIGger:A:BUS:B<x>:FLEXray:DATA:  
QUALifier, 2-405
- TRIGger:A:BUS:B<x>:FLEXray:DATA:SIZE, 2-406
- TRIGger:A:BUS:B<x>:FLEXray:DATA:  
VALue, 2-406
- TRIGger:A:BUS:B<x>:FLEXray:EOFTYPE, 2-407
- TRIGger:A:BUS:B<x>:FLEXray:ERRTYPE, 2-407
- TRIGger:A:BUS:B<x>:FLEXray:FRAMEID:  
HIVALue, 2-408
- TRIGger:A:BUS:B<x>:FLEXray:FRAMEID:  
QUALifier, 2-408
- TRIGger:A:BUS:B<x>:FLEXray:FRAMEID:  
VALue, 2-409
- TRIGger:A:BUS:B<x>:FLEXray:  
FRAMeType, 2-410
- TRIGger:A:BUS:B<x>:FLEXray:HEADER:  
CRC, 2-410
- TRIGger:A:BUS:B<x>:FLEXray:HEADER:  
CYCLEcount, 2-411
- TRIGger:A:BUS:B<x>:FLEXray:HEADER:  
FRAMEID, 2-411
- TRIGger:A:BUS:B<x>:FLEXray:HEADER:  
INDBits, 2-412
- TRIGger:A:BUS:B<x>:FLEXray:HEADER:  
PAYLength, 2-412
- TRIGger:A:BUS:B<x>:I2C:ADDRes:MODE, 2-413
- TRIGger:A:BUS:B<x>:I2C:ADDRes:TYPE, 2-413
- TRIGger:A:BUS:B<x>:I2C:ADDRes:VALue, 2-414
- TRIGger:A:BUS:B<x>:I2C:CONDition, 2-414
- TRIGger:A:BUS:B<x>:I2C:DATA:DIRection, 2-415
- TRIGger:A:BUS:B<x>:I2C:DATA:SIZE, 2-415
- TRIGger:A:BUS:B<x>:I2C:DATA:VALue, 2-416
- TRIGger:A:BUS:B<x>:LIN:CONDition, 2-416
- TRIGger:A:BUS:B<x>:LIN:DATA:HIVALue, 2-417

- TRIGger:A:BUS:B<x>:LIN:DATA:QUALifier, 2-417  
 TRIGger:A:BUS:B<x>:LIN:DATA:SIZE, 2-418  
 TRIGger:A:BUS:B<x>:LIN:DATA:VALue, 2-419  
 TRIGger:A:BUS:B<x>:LIN:ERRTYPE, 2-419  
 TRIGger:A:BUS:B<x>:LIN:IDentifier:VALue, 2-420  
 TRIGger:A:BUS:B<x>:PARAllel:VALue, 2-420  
 TRIGger:A:BUS:B<x>:RS232C:CONDition, 2-420  
 TRIGger:A:BUS:B<x>:RS232C:RX:DATA:  
   SIZE, 2-421  
 TRIGger:A:BUS:B<x>:RS232C:RX:DATA:  
   VALue, 2-421  
 TRIGger:A:BUS:B<x>:RS232C:TX:DATA:  
   SIZE, 2-422  
 TRIGger:A:BUS:B<x>:RS232C:TX:DATA:  
   VALue, 2-422  
 TRIGger:A:BUS:B<x>:SPI:CONDition, 2-423  
 TRIGger:A:BUS:B<x>:SPI:DATA:SIZE, 2-424  
 TRIGger:A:BUS:B<x>:SPI:DATA{:IN|:MISO}:  
   VALue, 2-423  
 TRIGger:A:BUS:B<x>:SPI:DATA{:OUT|:MOSI}:  
   VALue, 2-424  
 TRIGger:A:BUS:SOUrce, 2-424  
 TRIGger:A:EDGE:COUPling, 2-425  
 TRIGger:A:EDGE:SLOPe, 2-426  
 TRIGger:A:EDGE:SOUrce, 2-426  
 TRIGger:A:HOLDoff:TIME, 2-427  
 TRIGger:A:LEVel:AUXin, 2-428  
 TRIGger:A:LEVel:CH<x>, 2-429  
 TRIGger:A:LEVel:D<x>, 2-429  
 TRIGger:A:LOGIc:CLAss, 2-430  
 TRIGger:A:LOGIc:FUNcTION, 2-431  
 TRIGger:A:LOGIc:INPut:CH<x>, 2-432  
 TRIGger:A:LOGIc:INPut:CLOCK:EDGE, 2-432  
 TRIGger:A:LOGIc:INPut:CLOCK:SOUrce, 2-433  
 TRIGger:A:LOGIc:INPut:D<x>, 2-433  
 TRIGger:A:LOGIc:INPut?, 2-432  
 TRIGger:A:LOGIc:PATtern:DELTAtime, 2-434  
 TRIGger:A:LOGIc:PATtern:INPut:D<x>, 2-434  
 TRIGger:A:LOGIc:PATtern:WHEn, 2-435  
 TRIGger:A:LOGIc:PATtern:WHEn:  
   LESSLimit, 2-436  
 TRIGger:A:LOGIc:PATtern:WHEn:  
   MORELimit, 2-436  
 TRIGger:A:LOGIc:PATtern?, 2-434  
 TRIGger:A:LOGIc:THReshold:CH<x>, 2-437  
 TRIGger:A:LOGIc:THReshold:D<x>, 2-437  
 TRIGger:A:LOWerthreshold:CH<x>, 2-438  
 TRIGger:A:LOWerthreshold:D<x>, 2-438  
 TRIGger:A:LOWerthreshold{:EXT|:AUX}, 2-439  
 TRIGger:A:PULse:CLAss, 2-440  
 TRIGger:A:PULSEWidth:POLarity, 2-441  
 TRIGger:A:PULSEWidth:SOUrce, 2-441  
 TRIGger:A:PULSEWidth:WHEn, 2-442  
 TRIGger:A:PULSEWidth:WIDth, 2-443  
 TRIGger:A:PULSEWIDth?, 2-441  
 TRIGger:A:RUNT:POLarity, 2-443  
 TRIGger:A:RUNT:SOUrce, 2-444  
 TRIGger:A:RUNT:WIDth, 2-445  
 TRIGger:A:SETHold:CLOCK:EDGE, 2-446  
 TRIGger:A:SETHold:CLOCK:SOUrce, 2-447  
 TRIGger:A:SETHold:CLOCK:THReshold, 2-447  
 TRIGger:A:SETHold:CLOCK?, 2-446  
 TRIGger:A:SETHold:DATA:SOUrce, 2-448  
 TRIGger:A:SETHold:DATA:THReshold, 2-449  
 TRIGger:A:SETHold:DATA?, 2-448  
 TRIGger:A:SETHold:HOLDTime, 2-450  
 TRIGger:A:SETHold:SETTime, 2-450  
 TRIGger:A:SETHold:THReshold:CH<x>, 2-451  
 TRIGger:A:SETHold:THReshold:D<x>, 2-451  
 TRIGger:A:UPPerthreshold:CH<x>, 2-455  
 TRIGger:A:VIDeo:CUSTom:LINEPeriod, 2-457  
 TRIGger:A:VIDeo:CUSTom:SCAN, 2-457  
 TRIGger:A:VIDeo:CUSTom:SYNCInterval, 2-458  
 TRIGger:A:VIDeo:CUSTom{:FORMAT|:  
   TYPE}, 2-456  
 TRIGger:A:VIDeo:HDtv:FORMAt, 2-458  
 TRIGger:A:VIDeo:HOLDoff:FIELD, 2-459  
 TRIGger:A:VIDeo:LINE, 2-460  
 TRIGger:A:VIDeo:POLarity, 2-460  
 TRIGger:A:VIDeo:SOUrce, 2-461  
 TRIGger:A:VIDeo:STANdard, 2-461  
 TRIGger:A:VIDeo{:SYNC|:FIELD}, 2-462  
 TRIGger:A{:TRANSition|:RISEFall}:  
   DELTAtime, 2-452  
 TRIGger:A{:TRANSition|:RISEFall}:POLarity, 2-453  
 TRIGger:A{:TRANSition|:RISEFall}:SOUrce, 2-453  
 TRIGger:A{:TRANSition|:RISEFall}:WHEn, 2-454  
 TRIGger:A{:TRANSition|:RISEFall}?, 2-452  
 TRIGger:B:EDGE:COUPling, 2-464  
 TRIGger:B:EDGE:SLOPe, 2-465  
 TRIGger:B:EDGE:SOUrce, 2-465  
 TRIGger:B:EVENTS:COUNT, 2-466  
 TRIGger:B:LEVel:CH<x>, 2-467  
 TRIGger:B:LEVel:D<x>, 2-468

TRIGger:B:LOWerthreshold:CH<x>, 2-468  
 TRIGger:B:LOWerthreshold:D<x>, 2-469  
 TRIGger:B:UPPerthreshold:CH<x>, 2-471  
 TRIGger:EXTernal:PRObe, 2-471  
 TRIGger:EXTernal:YUNIts?, 2-472  
 TRIGger:A, 2-393  
 TRIGger:A:BUS, 2-394  
 TRIGger:A:EDGE?, 2-425  
 TRIGger:A:HOLDoff?, 2-427  
 TRIGger:A:LEVel, 2-428  
 TRIGger:A:LOGIc?, 2-430  
 TRIGger:A:MODE, 2-439  
 TRIGger:A:PULse?, 2-440  
 TRIGger:A:RUNT?, 2-443  
 TRIGger:A:RUNT:WHEN, 2-444  
 TRIGger:A:SETHold?, 2-446  
 TRIGger:A:TYPe, 2-454  
 TRIGger:A:VIDeo?, 2-456  
 TRIGger:B, 2-463  
 TRIGger:B:BY, 2-463  
 TRIGger:B:EDGE?, 2-464  
 TRIGger:B:EVENTS?, 2-466  
 TRIGger:B:LEVel, 2-467  
 TRIGger:B:STATE, 2-469  
 TRIGger:B:TIME, 2-470  
 TRIGger:B:TYPe, 2-470  
 TRIGger:EXTernal?, 2-471  
 TRIGger:FREQuency?, 2-472  
 TRIGger:STATE?, 2-472  
 \*TST?, 2-473

## U

UNLock, 2-473  
 USBDevice:CONFigure, 2-473  
 USBTMC:PRODUCTID:DECimal?, 2-474  
 USBTMC:PRODUCTID:HEXadecimal?, 2-475  
 USBTMC:SERIALnumber?, 2-475  
 USBTMC:VENDORID:DECimal?, 2-475  
 USBTMC:VENDORID:HEXadecimal?, 2-476  
 USBTMC?, 2-474

## V

VERBose, 2-476  
 Vertical Command Group, 2-58

## W

\*WAI, 2-477  
 Waveform Transfer Command Group, 2-61  
 WAVFrm?, 2-477  
 WFMInpre?, 2-478  
 WFMInpre:BIT\_Nr, 2-478  
 WFMInpre:BN\_Fmt, 2-479  
 WFMInpre:BYT\_Nr, 2-479  
 WFMInpre:BYT\_Or, 2-480  
 WFMInpre:ENCdg, 2-480  
 WFMInpre:NR\_Pt, 2-481  
 WFMInpre:PT\_Fmt, 2-481  
 WFMInpre:PT\_Off, 2-482  
 WFMInpre:XINcr, 2-483  
 WFMInpre:XUNit, 2-483  
 WFMInpre:XZEro, 2-484  
 WFMInpre:YMUlt, 2-484  
 WFMInpre:YOff, 2-485  
 WFMInpre:YUNit, 2-486  
 WFMInpre:YZEro, 2-486  
 WFMOutpre:FRACTIONal?, 2-490  
 WFMOutpre?, 2-487  
 WFMOutpre:BIT\_Nr, 2-488  
 WFMOutpre:BN\_Fmt, 2-488  
 WFMOutpre:BYT\_Nr, 2-489  
 WFMOutpre:BYT\_Or, 2-489  
 WFMOutpre:ENCdg, 2-490  
 WFMOutpre:NR\_Pt?, 2-491  
 WFMOutpre:PT\_Fmt?, 2-491  
 WFMOutpre:PT\_Off?, 2-492  
 WFMOutpre:PT\_ORder?, 2-492  
 WFMOutpre:WFIId?, 2-493  
 WFMOutpre:XINcr?, 2-494  
 WFMOutpre:XUNit?, 2-494  
 WFMOutpre:XZEro?, 2-494  
 WFMOutpre:YMUlt?, 2-495  
 WFMOutpre:YOff?, 2-495  
 WFMOutpre:YUNit?, 2-496  
 WFMOutpre:YZEro?, 2-496

## Z

Zoom Command Group, 2-67  
 ZOOM:ZOOM<x>:FACTor?, 2-498  
 ZOOM:ZOOM<x>:POSition, 2-498  
 ZOOM:ZOOM<x>:SCAle, 2-499  
 ZOOM:ZOOM<x>:STATE, 2-499  
 ZOOM?, 2-497



ZOOm:MODE, 2-497

ZOOm:ZOOM<x>?, 2-498

## Free Manuals Download Website

<http://myh66.com>

<http://usermanuals.us>

<http://www.somanuals.com>

<http://www.4manuals.cc>

<http://www.manual-lib.com>

<http://www.404manual.com>

<http://www.luxmanual.com>

<http://aubethermostatmanual.com>

Golf course search by state

<http://golfingnear.com>

Email search by domain

<http://emailbydomain.com>

Auto manuals search

<http://auto.somanuals.com>

TV manuals search

<http://tv.somanuals.com>