



WELCOME!

This is the home page of the Phaser 600 Color Printer User Manual.

See [Tips on using this guide](#), or go immediately to the [Contents](#).

Phaser[®] 600 Wide-Format Color Printer

Tips on using this guide

- Use the navigation buttons in Acrobat Reader to move through the document:



1 and **4** are the **First Page** and **Last Page** buttons. These buttons move to the first or last page of a document.

2 and **3** are the **Previous Page** and **Next Page** buttons. These buttons move the document backward or forward one page at a time.

5 and **6** are the **Go Back** and **Go Forward** buttons. These buttons let you retrace your steps through a document, moving to each page or view in the order visited.

- For best results, use the Adobe Acrobat Reader version 2.1 to read this guide. Version 2.1 of the Acrobat Reader is supplied on your printer's CD-ROM.
- Click on the page numbers in the [Contents](#) on the following pages to open the topics you want to read.
- You can click on the page numbers following keywords in the [Index](#) to open topics of interest.
- You can also use the Bookmarks provided by the Acrobat Reader to navigate through this guide. If the Bookmarks are not already displayed at the left of the window, select **Bookmarks and Page** from the **View** menu.
- If you have difficulty reading any small type or seeing the details in any of the illustrations, you can use the Acrobat Reader's Magnification feature. Select a Magnification value from the **Magnification** field in the **Status bar** at the bottom of the window.
- Words or phrases in this manual in [blue underlined type](#) are hypertext links; click on the link to go immediately to information on that topic.

CONTENTS

INTRODUCTION [1](#)

Features [2](#)

Information roadmap [7](#)

GETTING SET UP [9](#)

At a glance [10](#)

Setting up the printer [11](#)

What you get with your printer [11](#)

Registering your printer [14](#)

Unpacking instructions [15](#)

Moving the printer to its operating location [16](#)

Removing adhesive tape and cable tie [17](#)

Removing the transit restraint [18](#)

Removing the shipping blocks [21](#)

Attaching the ink loader [23](#)

Loading the ink [24](#)

Attaching the output bin [26](#)

Attaching the Quick Reference Guide [27](#)

Connecting the printer [28](#)

Printer ports [28](#)

Adjust the leveling legs and lock the wheels [32](#)

Turning on the printer [33](#)

Selecting a language for the front panel [37](#)

Installing the starter paper roll [39](#)

Loading the paper roll [40](#)

Feeding roll paper [43](#)

Software installation [46](#)

Overview for all PC and Macintosh platforms [47](#)

PC/Windows software [48](#)
 Which Windows driver to install? [49](#)
 Custom Install or Easy Install? [50](#)
Macintosh software [69](#)
 Which Macintosh driver to install? [70](#)
 Custom Install or Easy Install? [71](#)
Workstation software [78](#)

PRINTING BASICS [80](#)

Printing overview [81](#)
Printing from a PC [82](#)
 Print features quick reference: Windows printer drivers [83](#)
 Using the Microsoft PostScript driver with Windows 95 [101](#)
 Using the AdobePS 4 driver with Windows 95 [105](#)
 Using the Tektronix printer driver for Windows 3.1 [109](#)
 Using the Adobe PostScript driver for Windows 3.1 [115](#)
 Using the Windows NT 3.5 and 3.51 PostScript driver [118](#)
 Using the Windows NT 4.0 PostScript driver [119](#)
Printing from a Macintosh [124](#)
 Print features quick reference: Macintosh printer drivers [125](#)
 Using the Phaser 600 driver [138](#)
 Using the Adobe PSPrinter driver [139](#)
 Using the Apple LaserWriter 8.x driver [140](#)
 Using the Phaser 600 GX driver [141](#)
Printing from a workstation [143](#)
 Overview [143](#)
 UNIX workstations [145](#)
 VMS workstations [147](#)
 For more information [148](#)
Printing from specific applications [149](#)
 General hints and tips [149](#)

- Selecting print features [150](#)
 - Methods of selection [151](#)
 - Print quality modes [154](#)
 - Color corrections [155](#)
- All about media [157](#)
 - Selecting media by size [157](#)
 - Margins and print area [158](#)
 - Page size, print area, and margins [161](#)
 - Media attributes [169](#)
 - Image orientation [173](#)
 - Page Rotation [174](#)
 - Manual Feed: using cut-sheet media [176](#)
- Image manipulation [179](#)
- Printer languages: PostScript, HP-GL [181](#)
- Fonts [182](#)
 - Resident typefaces (PostScript) [183](#)
 - Printer's Extended Features option [184](#)
 - Downloading fonts [185](#)
 - Macintosh screen fonts [187](#)
 - Using fonts with Windows [189](#)
 - Printing font samplers [190](#)

PRINTING: BEYOND THE BASICS [193](#)

- Working with color [195](#)
- Color corrections — making the best selection [197](#)
 - Deciding which color correction to use [200](#)
 - Color correction descriptions [201](#)
 - Special considerations [215](#)
- Printing and using the color sampler charts [219](#)
- Special printing features [221](#)
 - Fusing Mode / Media Fusing [222](#)
 - Advance Media [224](#)
 - Cut Media [226](#)
 - Mirror Print [228](#)
 - Page Centering [229](#)
 - Page Rotation [230](#)
 - Image Smoothing [232](#)
 - Fast Preview [234](#)
 - Print Preview [235](#)
 - Color Control Strip [238](#)
 - Reprint [240](#)
 - Custom page sizes [241](#)
- Phaser Copystation [242](#)
 - Requirements and suggested memory configuration [243](#)
 - Connecting the Copystation [244](#)
 - Setting the print quantity [245](#)
 - Scaling images from the Copystation [246](#)
 - Media size interactions [248](#)
- Laminating your Phaser 600 prints [251](#)
 - Tips on laminating prints [252](#)

PRINTING THE COLOR SAMPLER CHARTS [253](#)

Available color charts [256](#)

Setting up the printer [257](#)

 If you are using manual feed media [258](#)

 If you are using roll media [259](#)

Printing from a Macintosh [260](#)

 Installing the files [261](#)

 Important preparations [262](#)

 Printing the color charts [264](#)

Printing from a PC [268](#)

 Installing the files [269](#)

 Important preparations [270](#)

 Printing the color charts [272](#)

COLOR MATCHING [275](#)

Select your computer type [276](#)

Using ColorSync on a Macintosh [277](#)

Using host color correction in Windows 95 [282](#)

USING PANTONE® COLOR FILES [285](#)

Pantone overview [286](#)

Installing Pantone files [287](#)

 Installing the Macintosh files [288](#)

 Installing the PC files [289](#)

Using the PANTONE Color templates [290](#)

 Using the Macintosh templates [291](#)

 Using the PC library files [297](#)

Printing the PANTONE Color sampler chart [301](#)

 Printing individual pages from Acrobat [302](#)

 Printing the entire chart [309](#)

Printing Pantone Colors from an application [313](#)

 Printing Pantone Colors from a Macintosh application [314](#)

 Printing PANTONE Colors from a PC/Windows application [316](#)

USING THE PHASERPRINT™ PLUG-IN FOR PHOTOSHOP [318](#)

Overview [319](#)

Compatibility [320](#)

Installing the PhaserPrint plug-in for Photoshop [321](#)

 Installing the plug-in for Macintosh [322](#)

 Installing the plug-in for Windows [323](#)

Using the plug-in [325](#)

 Starting the PhaserPrint plug-in [326](#)

 Selecting options in the PhaserPrint dialog box [328](#)

USING THE PHASER 600 GX DRIVER [364](#)

- System requirements [367](#)
- Installing the Phaser 600 GX printer driver [368](#)
- Creating a desktop printer [369](#)
- Setting up unique desktop printers [371](#)
- Printing with a desktop printer [372](#)
 - Using the Printing menu [373](#)
- Setting up a shared printer [382](#)
 - Using a shared printer [383](#)
- Printing from QuickDraw GX applications [384](#)
- Printing from non-QuickDraw GX applications [388](#)
- Viewing printer status [390](#)
- Disabling QuickDraw GX [391](#)

PRINTING FROM DOS [393](#)

- Setting up ports [395](#)
 - Setting up the parallel port [396](#)
 - Setting up optional interface ports [397](#)
- Printing from DOS [398](#)
 - Using color corrections [399](#)
 - Using a Tektronix driver [400](#)
 - Using a non-Tektronix driver [401](#)

PRINTING FROM UNIX AND VMS

WORKSTATIONS [402](#)

Overview [403](#)

Printing from UNIX workstations [405](#)

Printing from VMS workstations [407](#)

Using the printer's software [408](#)

Obtaining the PC utility files [409](#)

 Using the Phaser 600 printer's CD-ROM [410](#)

Using the utility files [411](#)

Mounting the PC/DOS diskette on a workstation [414](#)

 SGI IRIX versions 4.0.x and 5 [415](#)

 Sun running Solaris 2.3 [417](#)

 Sun running SunOS 4.1.3 [420](#)

 Extracting files from unix.tar [421](#)

USING PRINTER UTILITIES [424](#)

Installing the utility files [426](#)

 Installing the Macintosh utility files
 from the printer's CD-ROM [427](#)

 Installing the PC utility files [428](#)

 Downloading files from the Tektronix World Wide Web
 site [429](#)

 Downloading files from the Tektronix ftp server [430](#)

Downloading files to the printer [432](#)

 Downloading files from a Macintosh [433](#)

 Downloading files from a PC [438](#)

Changing the printer's name [442](#)

 Changing the printer's name from a Macintosh [443](#)

 Changing the printer's name from a PC [445](#)

Resetting the printer [447](#)

 Resetting the printer from a Macintosh [448](#)

 Resetting the printer from a PC [450](#)

Using the color rendering intents [451](#)

 Descriptions [451](#)

 Selecting [456](#)

Enabling and disabling job pipelining [459](#)

 Enable/disable job pipelining from a Macintosh [460](#)

 Enable/disable job pipelining from a PC [462](#)

Modifying the Advance Media default [463](#)

 Modifying Advance Media from a Macintosh [464](#)

 Modifying Advance Media from a PC [466](#)

Setting page offset [467](#)

 Setting page offset from a Macintosh [468](#)

 Setting page offset from a PC [470](#)

Adding Control-D characters to PC files [471](#)

Configuring a printer's serial port [473](#)

Other utilities [477](#)

The following utility files are described in other locations: [479](#)

USING SCSI HARD DISKS [480](#)

SCSI peripheral devices [482](#)

Selecting a SCSI hard disk [483](#)

Ordering information [484](#)

Connecting a SCSI hard disk [485](#)

 Required items [486](#)

 Important guidelines [487](#)

 Connecting one disk [490](#)

 Connecting multiple disks [491](#)

Formatting a SCSI hard disk [493](#)

Initializing a formatted SCSI hard disk [497](#)

Enabling and disabling SysStart Job execution [500](#)

USING THE PRINTER'S PARALLEL PORT [505](#)

Overview [506](#)

Disabling timeouts [507](#)

Bi-directional status reporting [508](#)

Parallel port pin signals [510](#)

USING DIFFERENT PRINTER LANGUAGE

MODES [513](#)

Installing the files [516](#)

Setting PostScript and HP-GL job
and wait timeouts [517](#)

Changing the printer's language mode [522](#)

 Printing PostScript files [524](#)

 Printing HP-GL files [525](#)

 Enabling automatic language selection [526](#)

Testing printer language mode changes [527](#)

 Testing HP-GL mode [528](#)

 Testing PostScript mode [529](#)

Setting default HP-GL pen colors [530](#)

CARING FOR YOUR PRINTER [535](#)

Overview [536](#)

Cleaning hints [537](#)

Quick cleaning [539](#)

 Feed rollers and paper guides [540](#)

 Transport rollers [542](#)

 Drum [544](#)

Occasional cleaning [545](#)

 Back tension blade and paper clamp [546](#)

 Clamp rollers [552](#)

 Fuser shuttle and exit rollers [553](#)

 Ink loader [565](#)

 Cleaning the printhead [567](#)

Emptying the waste bin [569](#)

 Front panel displays Empty Waste Bin [570](#)

 Before moving the printer [571](#)

Repacking and moving the printer [573](#)

TROUBLESHOOTING [580](#)

If you need help [581](#)

 Downloading files from the Tektronix
 Color Printer Information Server [583](#)

Using the automated fax systems [585](#)

 Use HAL in the U.S.A. and Canada [586](#)

 Use EuroHAL in Europe [588](#)

Front panel messages [592](#)

Symptoms and solutions [596](#)

 Diagnostic tools [596](#)

 Maintaining print quality [597](#)

Printing hints [618](#)

Improving print speed [620](#)

 Relative port speed [621](#)

 Fastest print time [622](#)

 Printing bitmapped images [624](#)

PostScript printing errors [630](#)

 Using a PostScript error handler [632](#)

 Fixing timeout problems in Windows [638](#)

Printed colors are not what you expected [642](#)

 In general [642](#)

 Printing PANTONE Colors [644](#)

 Blue colors look too purple [645](#)

 Using the Tektronix halftone screens [646](#)

Selecting page sizes in Windows applications [650](#)

Fonts printing incorrectly from Windows [653](#)

Sharing the printer on a network [655](#)

 If the LaserWriter Utility does not work
 (AppleTalk) [657](#)

Media hints and tips [658](#)
 Cutting roll media [660](#)
 Startup page prints even though it is disabled [669](#)
Clearing a media jam [670](#)
 At a glance [670](#)
 Overview [671](#)
 Clearing a media jam [673](#)
Clearing an ink jam [676](#)

USING THE FRONT PANEL [681](#)

Front panel [683](#)
 Front panel overview [684](#)
 Front panel indicators [685](#)
 Front panel buttons [686](#)
 Two-line display [689](#)
 Printer information [690](#)
 Front panel menu map [691](#)
 Pause menu [693](#)
Help Pages overview [695](#)
Printing the front panel menu map [696](#)
 Printing the menu map from the front panel [697](#)
 Printing the menu map with PhaserLink software [698](#)
Printing the configuration page [699](#)
 Printing the configuration page from the front panel [700](#)
 Printing the configuration page with a downloadable utility file [701](#)
 Printing the configuration page with PhaserLink software [705](#)
Printing the startup page [706](#)
 Printing the startup page from the front panel [707](#)
 Printing the startup page with a downloadable utility file [708](#)
 Printing the startup page with PhaserLink software [712](#)

- Enabling and disabling the startup page [713](#)
 - Enabling and disabling the startup page from the front panel [714](#)
 - Enabling and disabling the startup page with a downloadable utility file [716](#)
 - Enabling and disabling the startup page with PhaserLink software [719](#)
- Enabling and disabling front panel menus [720](#)

ORDERING INFORMATION [726](#)

- Tektronix Printer and Tektronix Supplies:
 - Made For Each Other® [727](#)
 - Customizing your printer [728](#)
- Ordering printer supplies [729](#)
- Ordering Interface cables and adapters [732](#)
- Expanding your printing system [734](#)
 - Upgrade kits [735](#)
 - Extended Features upgrade [736](#)
 - Memory upgrade [738](#)
 - PhaserShare network cards [740](#)
 - Phaser Copystation [741](#)
 - PhaserPrint [742](#)
 - PhaserSym [743](#)
 - SCSI hard disk [744](#)

REGULATORY INFORMATION [745](#)

Overview [746](#)

Canadian EMC (Electromagnetic Compatibility)
regulatory standards [747](#)

Declaration of conformity (for 220-230 VAC
equipment) [748](#)

FCC Class B device (for 100-120 VAC equipment) [750](#)

Material Safety Data Sheets [752](#)

MSDS for ink [753](#)

Specifications [759](#)

Copyrights/Trademarks [762](#)

Phaser® 600 Warranty [765](#)

Users safety summary [766](#)

INDEX [769](#)



INTRODUCTION

Phaser[®] 600 Wide-Format Color Printer

Features

The Phaser[®] 600 Wide-Format Color Printer is a Tektronix solid-ink printer that is capable of printing brilliant colors on a variety of media: paper, clear and white polyester film, sign vinyl, image-transfer film, newsprint, and canvas, to name a few. The printer is capable of printing on sheet-fed media, in a variety of sizes up to Architectural E-size (36 x 48 inches), as well as roll-fed media for printing posters, large banners and signage.

Standard configuration. In its standard configuration, the printer provides 8 Mbytes of memory, a total of 17 fonts, support for PhaserMatch[™] custom color-matching profiler, and PhaserLink[™], Tektronix' online control of printer features and access to printer information through a standard web browser. Additional memory (16 Mbytes or 32 Mbytes) for improved performance is optionally available.

Extended Features option. The Extended Features option adds 22 fonts (for a total of 39) and support for the Phaser Copystation, **Print Preview** and **Reprint** features. Additional memory (16 Mbytes or 32 Mbytes) for improved performance is optionally available.

Some of the Phaser 600 printer's features include:

- **Wide format**
- **Networking**
- **Internal RIP** (Raster Image Processor)
- **Tektronix proprietary ColorStix® ink sticks**
- **Automatic high-capacity ink loader**
- **Media flexibility and independence**
- **TekColor™ Dynamic Correction**
Tektronix' exclusive color-control technology makes it easy to print the colors you want.
- **PhaserMatch™ application**
For creating custom color profiles.

- Special printing features that make your job easier:
 - **Reprint**, accessible from the printer's front panel, allows you to reprint a previously printed PostScript image at a different scale and copy count. Available with the Extended Features option.
 - **Print Preview** is a driver-selectable option that lets you preview an image by printing it at a reduced scale, which takes less time and media than printing a full-scale image. Available with the Extended Features option.
- **Easy to connect**
Bi-directional parallel port with plug-and-play support; PhaserShare™ cards provide optional network interfaces for the following:
 - Ethernet (EtherTalk, Novell NetWare, and TCP/IP)
 - Token Ring (TokenTalk, Novell NetWare, and TCP/IP)
 - LocalTalk and serial

- **PhaserLink™ software — printer control and information access**

PhaserLink software provides a breakthrough in printer control and information access. Rather than use vendor-proprietary, printer-specific, and platform-specific management utilities, PhaserLink software provides this function using HTTP (Hypertext Transfer Protocol, the basis for World Wide Web browsers). This allows you to use a standard web browser to view printer status, control printer configuration, and link to online documentation via the World Wide Web.

N O T E



To use PhaserLink software, the printer must be connected to a network running TCP/IP. Refer to [PhaserShare network cards](#) for ordering information.

- **Internal 1-Gbyte disk drive**

- **Font capacity**

In its standard configuration, the printer Color Printer has 17 resident PostScript fonts; additionally, it accepts Adobe Type 1, Type 3, and TrueType downloadable fonts. For additional font storage, the printer provides an internal 1-Gbyte SCSI (Small Computer System Interface) disk drive as well as a SCSI port that allows you to attach an external hard disk.

With the Extended Features option, the printer has a total of 39 resident PostScript fonts.

- **Phaser Copystation**

The Phaser Copystation accessory enables your printer to be used as a color copier; you can scale an image to automatically fit the media that is loaded in the printer, up to Architectural E-size (36 x 48 inches). Requires the Extended Features option. Refer to [Extended Features upgrade](#) for ordering information.

Information roadmap

Tektronix provides information on the Phaser 600 printer in several ways:

Phaser 600 User Manual

(This manual); includes information on setting up and using the printer:

- Hardware and software set up
- Selecting print features in a driver
- Caring for your printer
- Troubleshooting

Quick Reference Guide

Designed for handy access of the information you need at the printer:

- Supplies information
- Loading media and ink
- Cleaning procedures
- Troubleshooting
- Online access information

Diskettes

Contain printer drivers, printer description files, color sampler charts, and utility files.

CD-ROM

Contains the contents of this user manual, the Adobe® Acrobat® Reader, and supplemental information in Acrobat (PDF) format:

- Using the printer's downloadable utility files
- Printing HP-GL files
- Printing from workstations
- Using PANTONE Colors

For instructions on installing and using the Adobe Acrobat Reader to view PDF files, refer to the *README* files on the CD-ROM.

World Wide Web

If you have access to the Internet, you can view documentation topics and answers to Frequently Asked Questions available at Tektronix' web site:

http://www.tek.com/Color_Printers/userdoc/introduction.html

PhaserMatch User Manual

Contains information on using the PhaserMatch software to create custom color profiles.

PhaserShare manuals

Contains complete information on setting up and using the PhaserShare ports.

Phaser Copystation User Manual

Includes information for setting up and using the copystation with your printer.



GETTING SET UP

Phaser[®] 600 Wide-Format Color Printer

At a glance

Installation of your printer involves these tasks:

1 Unpacking the printer

Use the *Phaser 600 Quick Start Instructions* to unpack the printer and remove it from the shipping pallet. The *Quick Start Instructions* are attached to the top cover of the printer.

2 Setting up the printer

Removing the transit restraint, attaching the ink loader, loading the ink, installing the output bin, attaching the *Quick Reference Guide*, and, if applicable, installing the optional Phaser Copystation.

3 Connecting power and interface cables

4 Changing the default language for the front panel, if applicable

5 Installing media

6 Installing printer software on your computer

Using the Printer Software diskettes or CD-ROM to install the printer software (drivers, PPDs, and utility files).

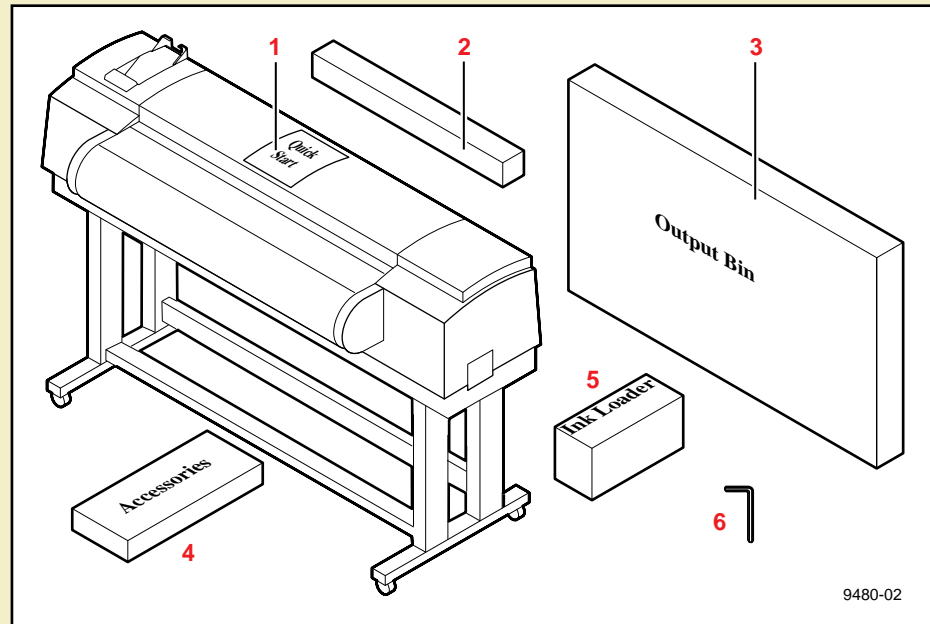
Setting up the printer

What you get with your printer

The printer and its accessories are shipped in a single box on a pallet. If you ordered an optional Phaser Copystation, it is shipped separately.

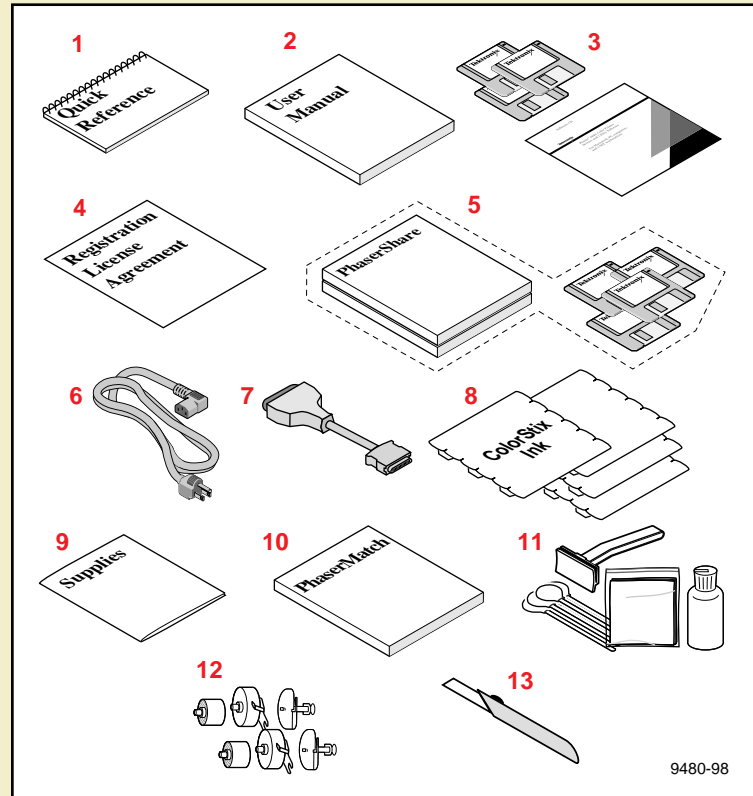
The following items are shipped with the printer:

- 1** Quick-Start Instructions
- 2** Starter roll of Tektronix Smooth White Bond paper
- 3** Output bin
- 4** Accessories box (contents described on the next page)
- 5** Ink loader
- 6** Allen wrench

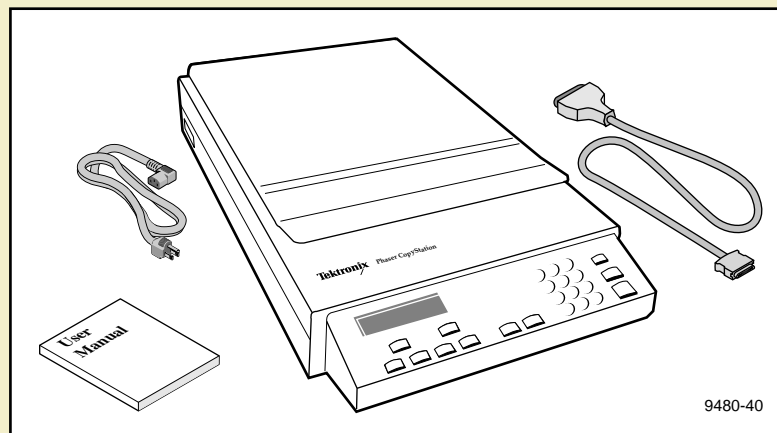


Accessories box contents

- 1** Phaser 600 Color Printer Quick Reference Guide
- 2** Phaser 600 User Manual
- 3** Phaser 600 CD-ROM and diskettes
- 4** Registration card and license agreement
- 5** Optional PhaserShare manuals and diskettes
- 6** Power cord
- 7** Parallel adapter
- 8** ColorStix[®] ink sticks
- 9** Supplies information sheet
- 10** PhaserMatch manual
- 11** Cleaning kit
- 12** Fuser kit
- 13** Media cutting knife



Optional Phaser Copystation accessory



Registering your printer

- 1** Find the customer registration card that is appropriate for you (U.S. or international versions).
- 2** Fill out the card and mail it.

By registering your printer with Tektronix, you are validating the product warranty and ensuring that you will be sent information about upgrades, service, and accessories as it becomes available.

Unpacking instructions

The *Phaser 600 Color Printer Quick-Start Instructions* describes how to remove the printer from its shipping pallet and prepare it for setup. It is an overview of the printer installation for experienced users. For detailed instructions, refer to the setup procedures in this user manual.

NOTE



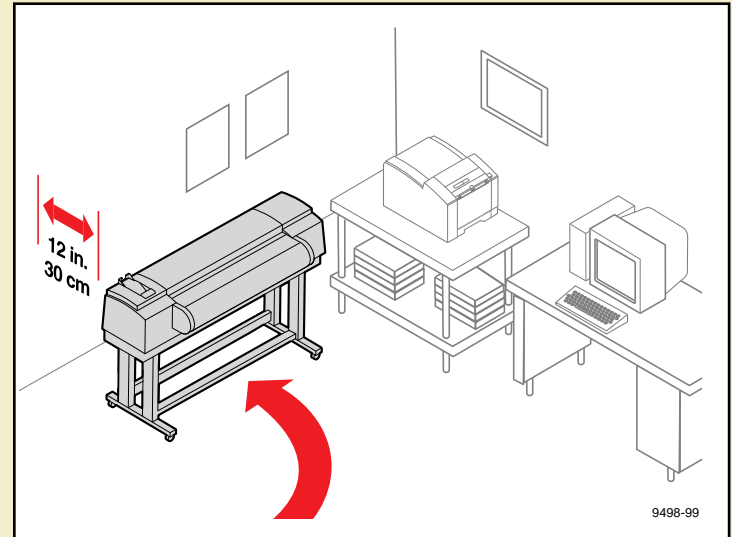
Save all packing material in case you need to move or ship the printer.

If you have not already removed the printer from its shipping pallet, follow the instructions in the *Quick Start Installation* booklet before continuing with the hardware setup described in this chapter.

Moving the printer to its operating location

After removing the printer from the shipping pallet, you can wheel it to its operating location. When doing so, follow these guidelines:

- To move the printer, make sure that the casters are unlocked (the locking lever should be *up*).
- The casters on the printer are designed for rolling on smooth, *inside* surfaces.
- Make sure that you have access to all sides of the printer while you are setting it up.
- Allow 30 cm (12 in.) from the wall to accommodate the ink loader.



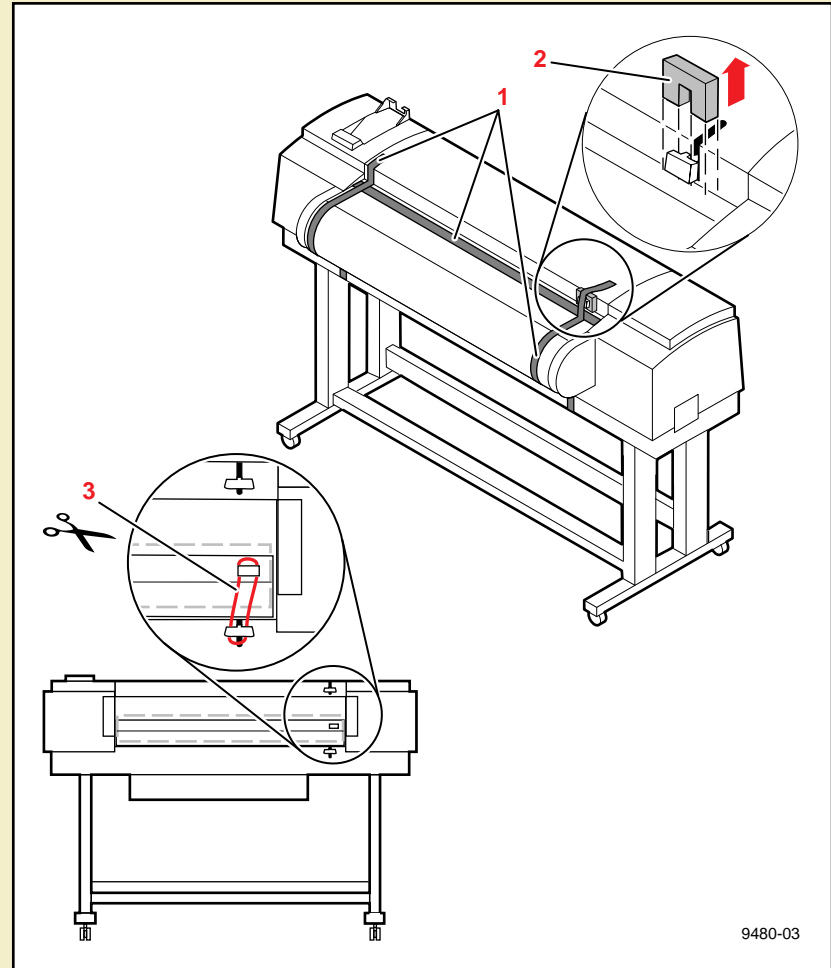
CAUTION



To reduce the possibility of damage to the ink loader, position the rear of the printer against a wall, rather than an aisleway.

Removing adhesive tape and cable tie

- 1** Remove the adhesive tape from the top cover.
- 2** Remove the styrofoam block from the top cover latch.
- 3** Cut and remove the cable tie from the exit cover latch.



9480-03

Removing the transit restraint

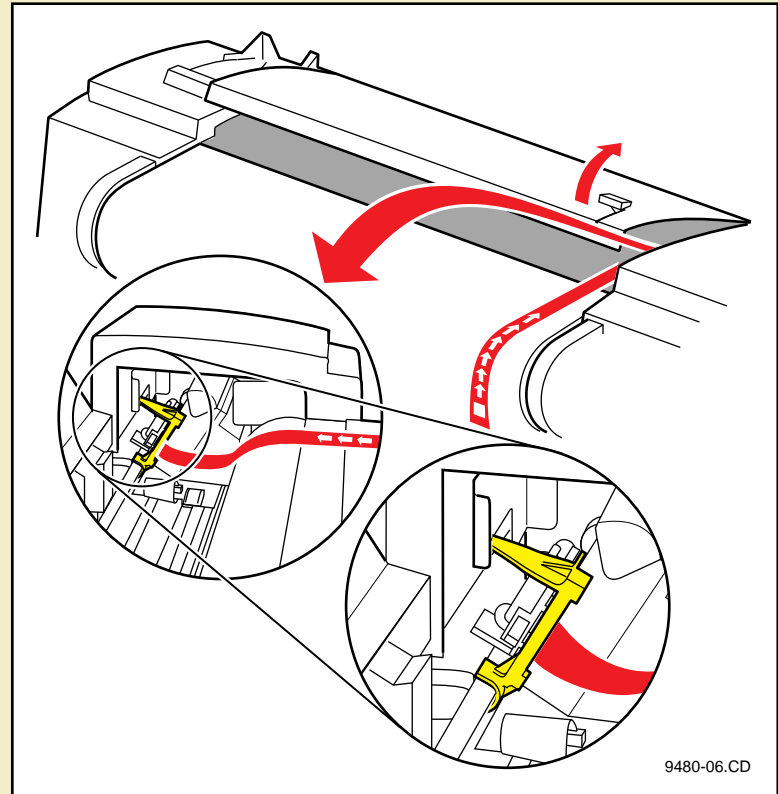
CAUTION



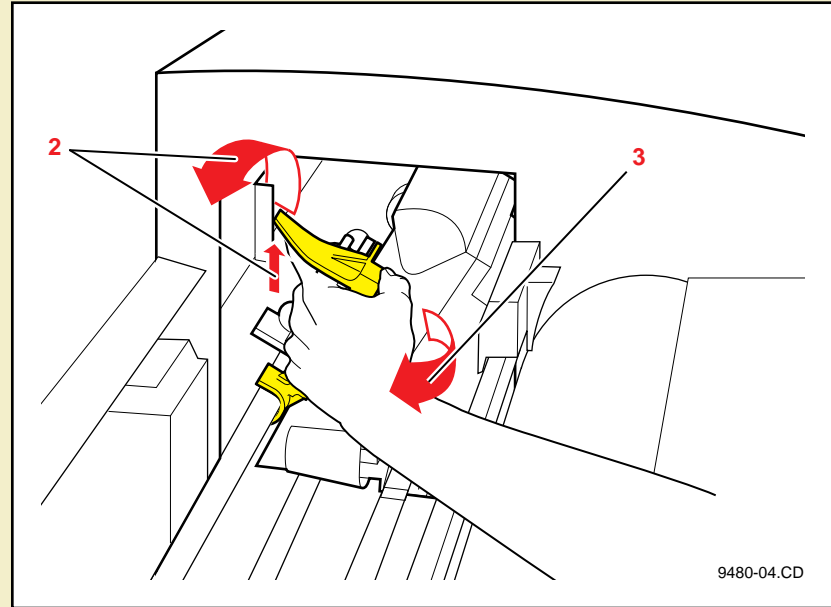
The transit restraint must be removed before turning on the power; otherwise you will damage the printhead.

- 1 To open the top cover, lift the latch and then lift the cover to an upright position.

The yellow transit restraint (attached to the red warning ribbon), protects the printhead during shipment. It is visible inside on the far right of the printer.

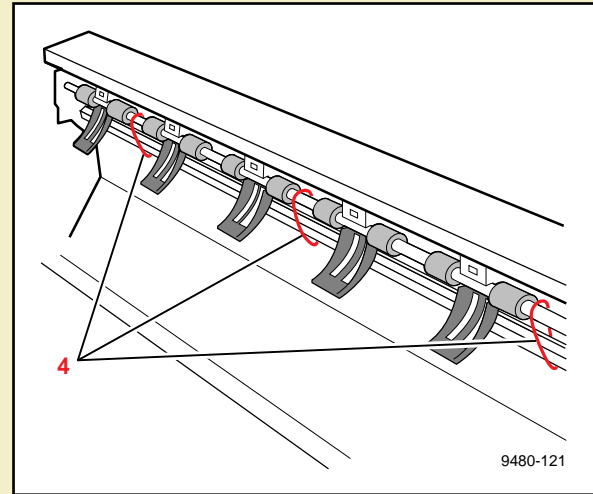


- 2 Using your left hand, grasp the transit restraint, as shown. Use your index finger to **lift** the end of the restraint **over** the metal plate.
- 3 Rotate the restraint **toward** you to release it from the printer. Save the restraint for future use.



9480-04.CD

- 4 Cut and remove the three cable ties that secure the rollers.
- 5 Close the top cover, making sure that the latch is pressed down.



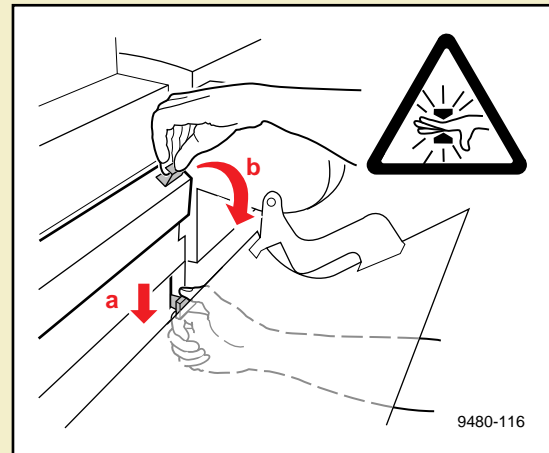
Removing the shipping blocks

CAUTION



The shipping blocks inside the exit cover must be removed before turning on the power; otherwise you will damage the printer.

- 1 Open the exit cover:
 - a Push down on the latch.
 - b Use the exit cover handle to rotate the cover down.

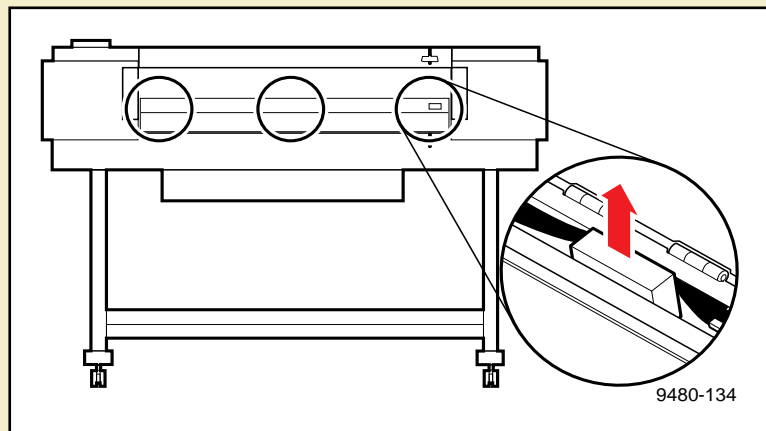


WARNING



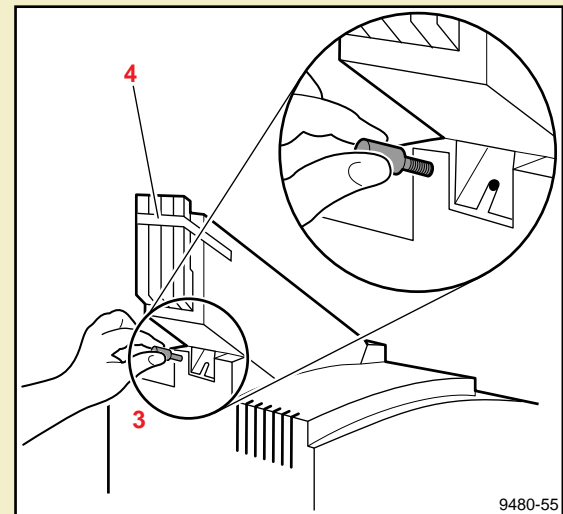
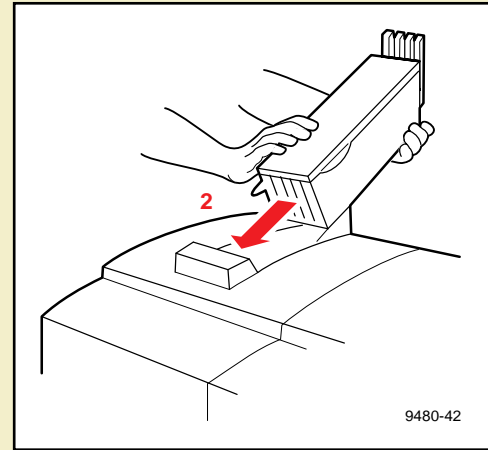
When lowering the exit cover, be careful not to pinch your hand between the paper roll cover and the exit cover.

- 2 Remove the blocks.
- 3 Close the exit cover.



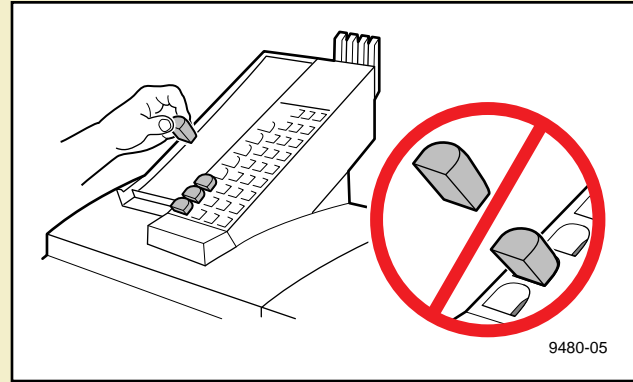
Attaching the ink loader

- 1** Remove the ink loader and the screw from the packaging.
- 2** Slide the ink loader into the printer as shown.
- 3** Insert the screw into the opening (on the rear side of the ink loader and printer) to secure the ink loader to the printer; tighten the screw by hand; no tools are necessary.
- 4** Remove the adhesive tape that secures the four sliders.



Loading the ink

- 1** Remove the ColorStix ink sticks from their packaging by peeling off the paper cover.
- 2** Open the ink loader cover.
- 3** Insert the ColorStix ink sticks into the appropriate holes for each color. Each color ink stick is uniquely shaped to make ink loading easy. Load the ink sticks from the bottom of the ink loader to the top.



CAUTION

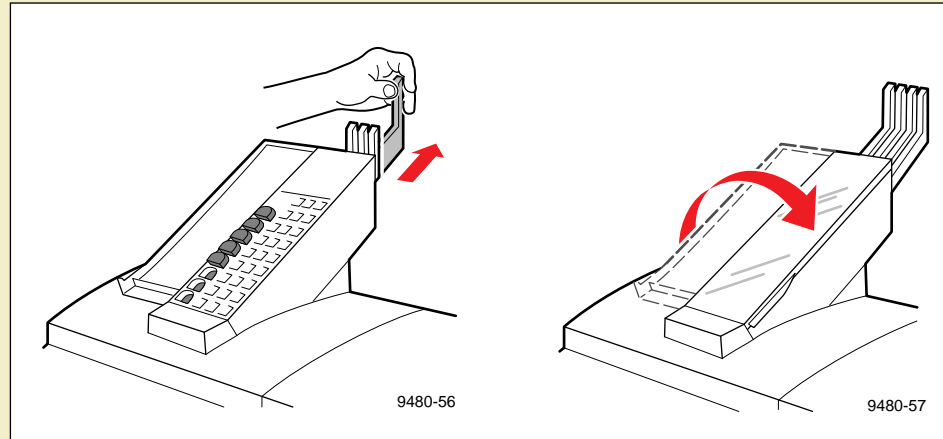


Load only one ink stick in each slot; otherwise the ink sticks might jam and the cover will not close.

Do not load more than eight ink sticks of any color at one time.

Open only the ink sticks you will immediately use; exposure to dust and overhandling can cause an ink jam.

- 4 Slowly pull back each ink's slider to release the ink sticks into the printer.
- 5 Close the ink loader cover.

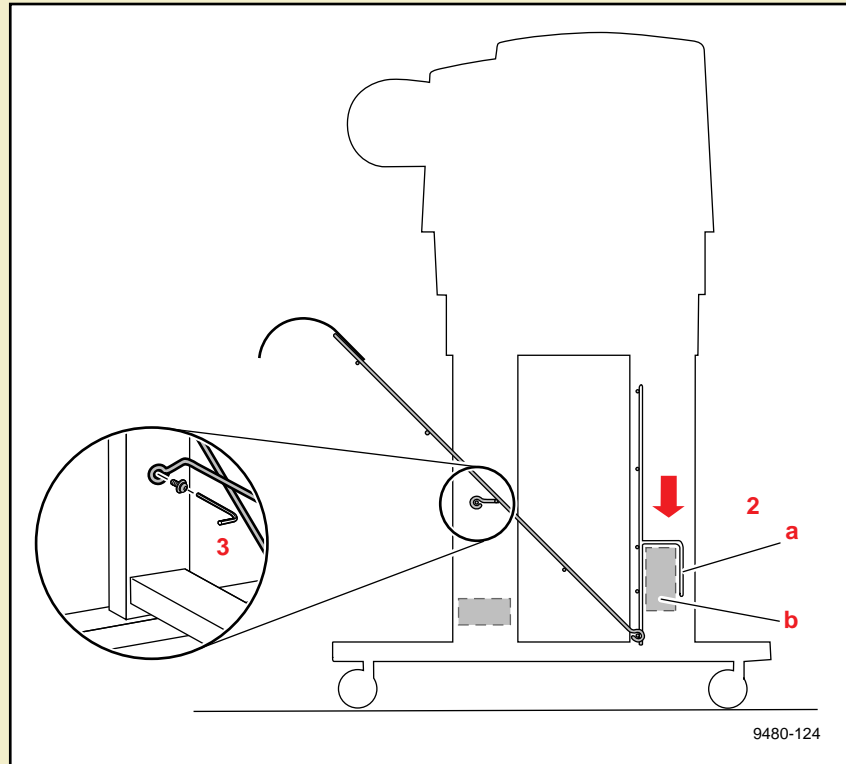


CAUTION 

Make sure that the ink loader cover is completely closed; otherwise, the printer will not power up.

Attaching the output bin

- 1** Remove the output bin from its packing box. Also remove the small plastic bag that contains two bolts and an Allen wrench.
- 2** With the output bin folded at its joint, hook the short end (**a**) over the back (upright) rail (**b**) of the printer.
- 3** Align the openings of the long end of the output bin with the openings in the front legs of the printer. Insert a bolt into the opening on each front leg; tighten them with the Allen wrench.

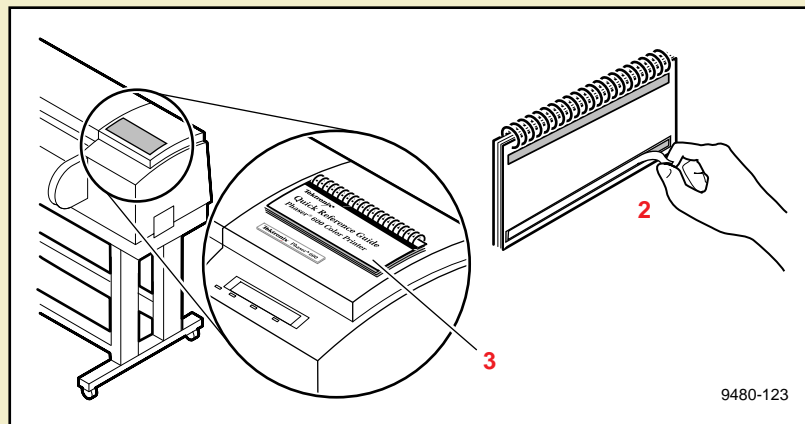


9480-124

Attaching the Quick Reference Guide

The *Phaser 600 Quick Reference Guide* is designed to attach to the printer above the front panel.

- 1** Remove the reference guide from the accessories box.
- 2** Peel the backing from the double-sided tape.
- 3** Press the booklet onto the top right side of the printer, above the front panel.



Connecting the printer

NOTE



Make all printer connections **before** you turn on the printer.

Printer ports

The printer is shipped with a SCSI port and parallel port on the printer's rear panel. Additionally, the printer can support one optional PhaserShare™ network card. All ports and network protocols are simultaneously active. The printer accepts print jobs on a first-come, first-served basis.

NOTE

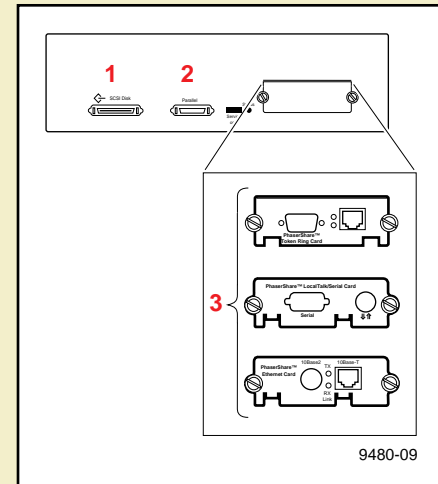


See [Ordering Interface cables and adapters](#) about ordering cables for connecting the printer.

1 SCSI (standard)

For connecting these optional peripheral devices:

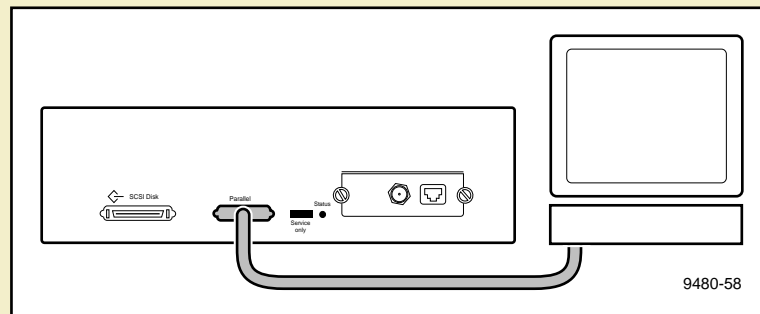
- **Phaser Copystation** To set up and connect the Phaser Copystation to your printer, refer to Chapter 2 of the *Phaser Copystation User Manual*. Required SCSI ID numbers are **5** and **6**. Refer to [Phaser Copystation](#) for ordering information.
- **External SCSI hard disk** Provides additional storage for downloadable fonts (the printer has an internal 1-Gbyte SCSI hard disk). You can connect one or more SCSI external hard disks to the printer; available SCSI ID numbers are **0, 1, 2, 3**.



2 Parallel (standard)

The printer supports a standard (uni-directional) parallel port. The port can also be set for bi-directional communications using downloadable utility files (available on the printer's CD-ROM, diskettes, or from your World Wide Web browser).

- Use a high-density bi-directional parallel cable, available from most computer cable vendors; or order a 36-pin high-density printer to 25-pin DSUB PC cable from Tektronix (order number: 012-1468-00). Otherwise, you can use a 36-pin to 36-pin parallel cable and the parallel adapter supplied with the printer.
- Connect a parallel interface cable to your computer and to the printer's parallel port:



3 **PhaserShare card** (*optional*)

The printer accepts one of the following:

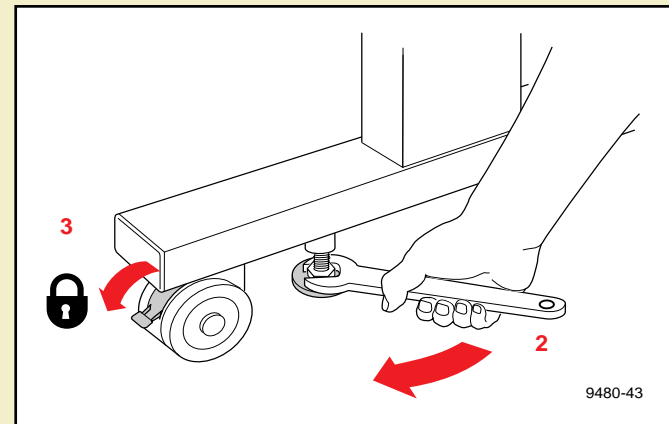
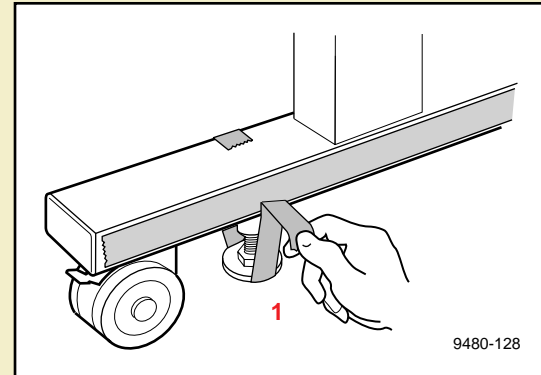
- PhaserShare Ethernet card supporting Novell NetWare, EtherTalk, TCP/IP, Telnet and FTP protocols.
- PhaserShare Token Ring card supporting Novell NetWare, TCP/IP, TokenTalk, Telnet and FTP protocols.
- PhaserShare LocalTalk/serial card.

The *PhaserShare Network Cards and Software System Administrator Manual* contains all the information necessary for configuring and using the optional network interfaces. Refer to [PhaserShare network cards](#) for ordering information.

Adjust the leveling legs and lock the wheels

It is very important that the printer be set up on a level, secure surface for the best print quality.

- 1** Remove the adhesive tape that protects the leveling legs and the bottom of the printer.
- 2** To adjust the four leveling legs under the printer, use a small, adjustable wrench to turn the nut on each leg to the desired height. If the floor is a smooth, non-carpeted surface, the leveling legs keep the printer from sliding.
- 3** Lock the front casters by pressing down on the locking lever. If the floor is a carpeted surface, the casters alone keep the printer steady.



Turning on the printer

CAUTION



Before turning on the power to the printer, make sure that you have removed all shipping material from inside the printer; otherwise, you can damage the printer. See [Removing the transit restraint](#), [Removing the shipping blocks](#), and [Removing adhesive tape and cable tie](#).

- Transit restraint:** (printhead) inside the printer's top cover.
- Cable ties:** inside the printer's top cover.
- Shipping blocks:** (fuser) inside the exit cover.

Make sure that you have attached the ink loader to the printer and that its cover is closed; otherwise, the printer will not start up.

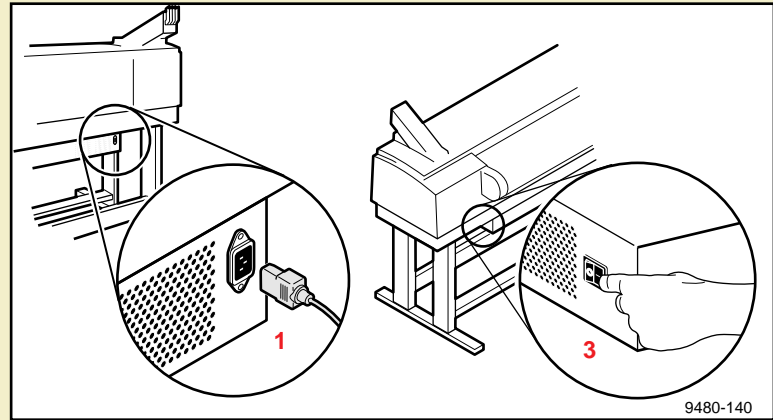
CAUTION





To protect your printer from a power surge, make sure that the power switch on the printer is in the **off** position before plugging in the cord. You can also use a surge protector that is designed for computer equipment.

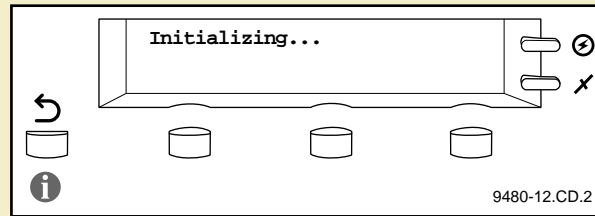
Make sure that you use the power cord that is shipped with the printer. If you need a new power cord, contact your local Tektronix dealer.

- 1** Plug the power cord into the printer and into a grounded outlet.
- 2** Turn on the power to any peripherals you have connected (i.e., an external SCSI disk or the Phaser Copystation).
- 3** Wait 1 minute, then turn on the printer.

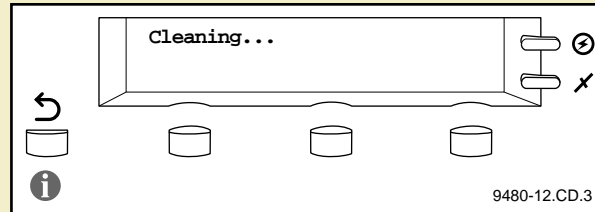


What happens at power-up

- Both status indicators (power  and error ) on the printer's front panel light briefly. Messages appear in the display panel (LCD) as the printer goes through a series of self-tests.



- While initializing, the printer makes various mechanical sounds; the front panel displays this message as it performs an automatic head cleaning procedure:



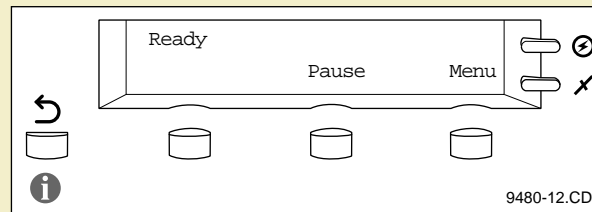
The printer takes about 10-12 minutes to warm up and complete the self-tests (depending on the amount of memory installed).

N O T E

The printer's memory includes a startup page that is disabled by default. You can turn on the startup page using either the front panel menu or a software utility file provided on the CD-ROM or World Wide Web. Refer to [Enabling and disabling the startup page](#) for details.

When the printer is ready for operation

When the power-up sequence is complete, the green indicator is on steady (not blinking), the red indicator is off, and the front panel displays this message:



Selecting a language for the front panel

Messages that appear in the front panel window are in English. To change the language to French, German, Spanish, Italian, or Japanese, follow these steps.

- 1 When the printer is on and the **Ready** message appears, press and release the **Menu** button (the button labels appear in the front panel display, above each corresponding button). You see this message:

```
Help Pages  
<---      --->  Menu
```

Pressing the left arrow button (<---) scrolls backward through the selections; pressing the right arrow button (--->) scrolls forward through the selections; pressing **Menu** enters the currently displayed menu.

- 2 Using the left (<---) or right (--->) arrow buttons, scroll through the selections until you see this message:

```
Language  
<---      --->  Menu
```

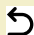
- 3 Press the **Menu** button to enter the language selection menu. You see this message:

Language:English*
<--- ---> Select

where the asterisk (*) indicates the currently selected language.

- 4 Press the right arrow button until the display shows the language you want from these selections:

Language:English
Language:Español
Language:Français
Language:Deutsch
Language:Italiano
Language:(Japanese)

- 5 Press **select** to choose the language. Press the  button until **Ready** is displayed in the selected language.

Installing the starter paper roll

Click on the following instructions for loading the starter paper roll:

- [Loading the paper roll](#)
- [Feeding roll paper](#)

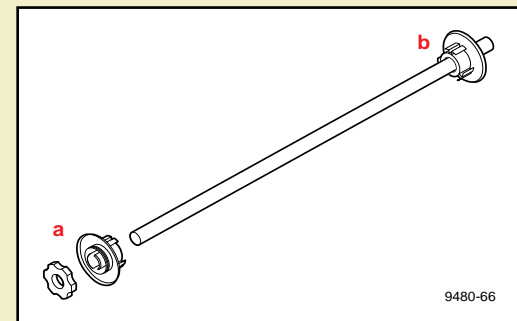
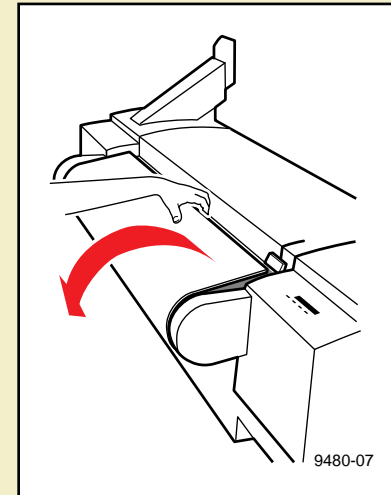
Loading the paper roll

- 1 Open the paper roll cover.
- 2 Lift the paper roll holder out of the printer. Notice that each end of the holder is unique:
 - a The left side of the holder (closest to the ink loader) has a removable plastic nut and endcap.
 - b The right side of the holder (closest to the front panel) has a fixed endcap.

NOTE

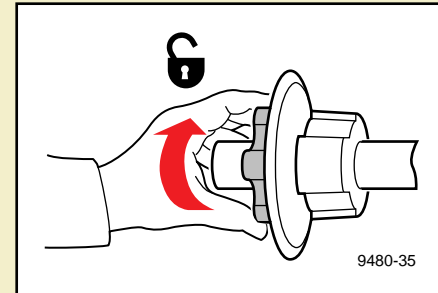


The endcaps are set up for media rolls with a three-inch core; if you are using media on a two-inch core, the endcaps can be adjusted. Refer to [Using a 2-inch core media roll: removing the core adapter](#) for instructions.



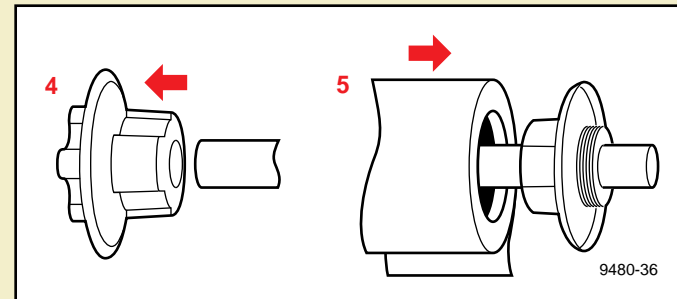
INSTALLING THE STARTER PAPER ROLL

- 3 Loosen the plastic nut by turning it until the endcap slides freely.
- 4 Slide the removable endcap from the shaft.
- 5 Slide the paper roll onto the shaft (make sure that the leading edge of the paper comes off the roll from behind, as shown); center the roll over the fixed endcap.

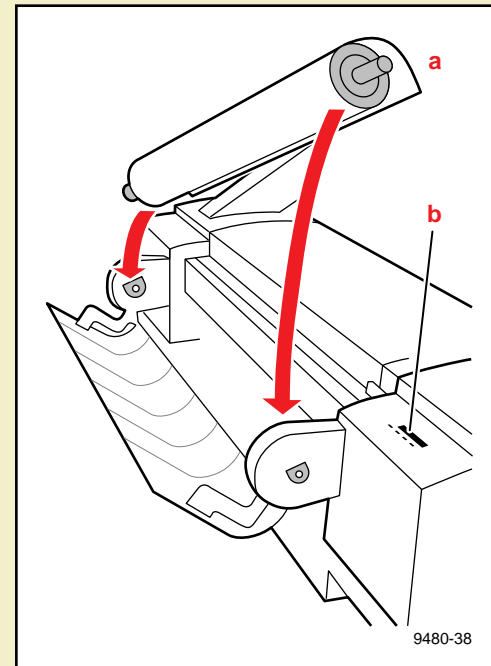
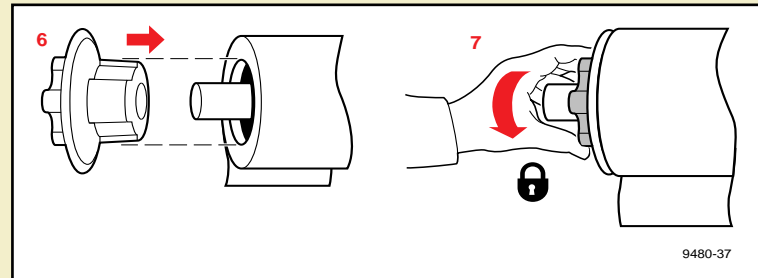


CAUTION

Gently slide the paper roll onto the shaft; do not let it drop onto the shaft or it can damage the fixed endcap.

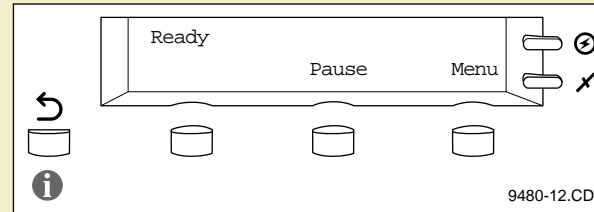


- 6 Replace the removable endcap; it fits *inside* the core of the paper roll.
- 7 Tighten the plastic nut to secure the endcap.
- 8 Insert the paper roll holder into the printer as shown, with the fixed end (a) closest to the front panel (b).



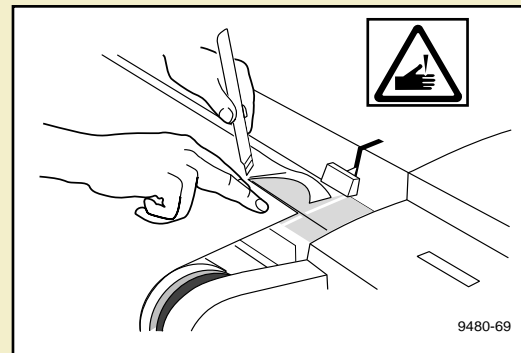
Feeding roll paper

- 1 When the printer is in the Ready state, the front panel displays this message:



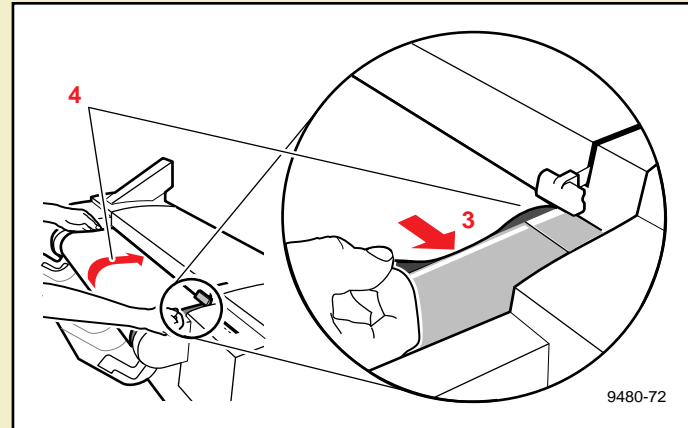
- 2 Make sure that the paper's leading edge is straight and smooth.

If it is not, use the cutting tool that was shipped with the printer to cut a smooth edge along the printer's cutting guide. Refer to [Cutting roll media](#) for complete instructions on getting a straight leading edge.



3 With the paper roll cover open, use the guide on the right side of the printer to ensure that the paper enters straight.

4 Holding the paper by the outside edges, guide the paper evenly into the slot between the top cover and printer body until it stops (about two or three inches) and buckles slightly.



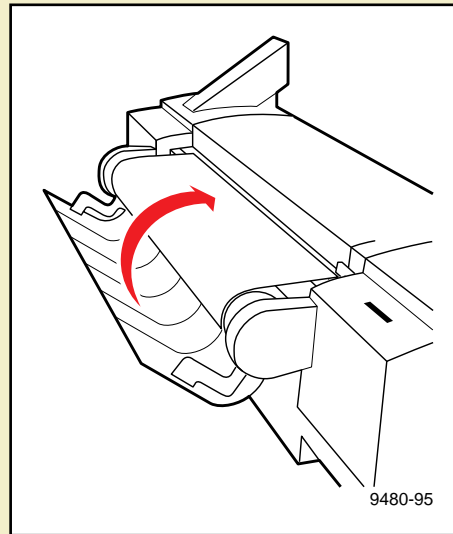
5 The printer picks the paper and advances it, and the front panel displays a series of messages (**Loading...**; **Unloading...**); when the media is successfully loaded, the **Ready** message appears.

NOTE



The printer advances the paper to measure the paper and calibrate for its width (**Loading...**). Once the paper is measured, the printer reverses the paper (**Unloading...**) so that it is aligned and ready to print.

- 6 Close the paper roll cover.



Software installation

Packaged with your printer is a CD-ROM and a set of diskettes that contain the software you need to use the printer. Included are automatic installer applications, drivers, printer description files (PPDs), color sampler charts, and utility files.

Click on [Overview for all PC and Macintosh platforms](#) for more information.

Overview for all PC and Macintosh platforms

These are the basic steps to software installation:

1. Decide which driver you want to install:

Windows See [Which Windows driver to install?](#)

Macintosh See [Which Macintosh driver to install?](#)

2. Decide which installation option (**Easy** or **Custom**) you want.

Windows See [Custom Install or Easy Install?](#)

Macintosh See [Custom Install or Easy Install?](#)

3. Install the printer's software according to your platform-specific procedures.

- a. Select one:

Easy Install A pre-defined list of drivers, PPDs, utility files

Custom Install A custom-selected list of drivers, PPDs, utility files, software applications

- b. Follow the on-screen prompts.

4. Set up a driver for use with your printer.

- a. Follow the instructions for the driver you installed.

To begin the platform-specific installation procedures:

PC/Windows Turn to [PC/Windows software](#) now.

Macintosh Turn to [Macintosh software](#) now.

PC/Windows software

Click on the following topics for more information:

- [Which Windows driver to install?](#)
- [Custom Install or Easy Install?](#)

Which Windows driver to install?


Operating system	Driver	Features	Notes
Windows 3.1	Tektronix (Microsoft 3.58)	<ul style="list-style-type: none"> ■ Simple, familiar interface for Windows 3.1 users ■ Supports PhaserMatch custom profiles ■ Custom page sizes 	<ul style="list-style-type: none"> ■ Fewer features than Adobe PostScript 3.0.1
	AdobePS 3 PostScript driver	<ul style="list-style-type: none"> ■ Includes all features of the Tektronix driver, and more ■ Similar to Windows 95 driver ■ Supports PhaserMatch custom profiles 	<ul style="list-style-type: none"> ■ Harder to use than the Tektronix driver
Windows 95	Microsoft PostScript	<ul style="list-style-type: none"> ■ Standard driver for Windows 95 ■ ColorSync support 	<ul style="list-style-type: none"> ■ No support for PhaserMatch custom profiles
	AdobePS 4 PostScript driver	<ul style="list-style-type: none"> ■ Includes all features of the Microsoft driver ■ Supports PhaserMatch custom profiles ■ Includes N-Up and Watermark 	
Windows NT	Windows NT 3.5, 3.51 PostScript drivers		<ul style="list-style-type: none"> ■ No support for PhaserMatch custom profiles
	Windows NT 4.0 PostScript driver	<ul style="list-style-type: none"> ■ Includes printer-specific features 	

Custom Install or Easy Install?

Installer options	Software	Description	Installed directory	
Custom Install	Easy Install	Windows 95	Microsoft Windows 95 PostScript driver	
		Windows 3.1	Tektronix PostScript driver	
		Samplers	Color sampler charts and a font sampler	<i>phsrtool\samplers</i>
		QuarkXPress PDF File	Installs <i>tkph6001.pdf</i> , if application is present	<i>\pdf</i> inside application directory
		PhaserPrint	PhaserPrint plug-in for Adobe Photoshop for Windows	<i>phsrtool\photoshp</i> (move to <i>\plugins</i> inside application directory)
		Pantone Files	Pantone color charts	<i>phsrtool\pantone</i>
		Windows 95	AdobePS 4 PostScript driver	
		Windows NT	Files for using a Windows NT 3.5, 3.51, 4.0 PostScript driver	
		Windows 3.1*	AdobePS 3 PostScript driver	
		Pantone Files*	Color charts and color library files	<i>phsrtool\pantone</i>
		Printer Utilities	Printer-specific utility files	<i>phsrtool\phsr600</i>
		Network Utilities*	Utility files for using the printer on a network	<i>phsrtool\net_util</i>
		PhaserMatch*	Application for creating custom profiles	<i>phsrtool\phsrmrch</i>
	Manuals*	Adobe Acrobat PDF versions of the printers manuals	<i>phsrtool>manuals</i>	
	Adobe Acrobat Reader*	Application for viewing on-line manuals		

* Available only on the printer's CD-ROM.

Installing printer software for Windows

- 
1. Insert either the printer's CD-ROM or the Windows Disk 1 into the appropriate drive on your computer.




For Windows 95

2. Click the **Start** icon in the taskbar. Click **Run**.

For Windows 3.1

2. Select **Run** from the **File** menu.

- 
3. Type in the drive (for either the CD-ROM or diskette) and type *SETUP.EXE*. Click **OK**.
 4. Click **Next** in the next two screens.
 5. Select **Easy** or **Custom Install** and click **Next**.

Installing printer software for Windows (cont'd.)

For Windows 95 and Windows 3.1

Easy Install

Go to Step 6.



Custom Install

Follow the on-screen prompts to select items in the dialog boxes.

Note The Tektronix driver for Windows 3.1 must be installed in the **Windows** directory (default **Destination Directory**). Do not change the **Destination Directory** when installing the Tektronix driver unless you are installing the driver on a network and you know the location of the **Windows** directory on the network drive.

- **If you use QuarkXPress:** In the **QuarkXPress Installation Selections** dialog box, select **Automatic Search** or **Choose Destination**. (If you are using a network copy of QuarkXPress, select **Choose Destination**). Follow the prompts, then click **Next**.
- **To bypass:** Select **Do not install**.
- The next dialog box lists the items you have selected to install. Click **Back** to change any selections. Click **Next** when you have the selections you want.



Installing printer software for Windows (cont'd.)



6. Another installer program is launched that installs or sets up the drivers (except for the Tektronix driver for Windows 3.1). Each driver has a unique installation procedure; follow the steps, then return to Step 7 on this page.

Setting up the drivers for Windows 95	■ Microsoft PostScript driver	■ Adobe PostScript driver
Setting up the drivers for Windows 3.1	■ Tektronix driver	■ Adobe PostScript driver
Setting up a PostScript driver for Windows NT 3.5 and 3.51		■ PostScript driver
Setting up the printer on a network for Windows NT 3.5 and 3.51		■ Setting up on a network
Setting up a PostScript driver for Windows NT 4.0		■ PostScript driver
Setting up the printer on a network for Windows NT 4.0		■ Setting up on a network

7. If you are using the printer's CD-ROM, *and* you selected **Easy Install** or **PhaserMatch** under the **Custom Install**, select a location to install the PhaserMatch icon. Click **Next** to continue.
8. After the **Installation Completed** dialog box appears, click **Yes** to view the *README.TXT* file; then click **Finish**.

End

Setting up the drivers for Windows 95

Microsoft PostScript driver

Adobe PostScript driver

1. Follow [Installing printer software for Windows](#), through Step 6.

2. Click **Next** in the **Add Printer Wizard** dialog box.

2. In the driver setup dialog box, click **Read** for driver instructions; click **Next**.

3. Select your printer's connection:

- **Local Printer** printer connected to your computer
- **Network Printer** printer accessed through a network

4. Type in the drive you are using. Click **OK**.

4. Select the drive you are using; select the directory for *ADOBEPS4*.


Setting up the drivers for Windows 95 (cont'd.)

Microsoft PostScript driver

Adobe PostScript driver

5. Select your printer:

- **Tektronix Phaser 600** Standard configuration
- **Tektronix Phaser 600 with Extended Features** Extended Features option

Note Press and hold down the front panel's  button for configuration information.

6. Select the port your printer is connected to and click **Next**.

7. Select the Phaser 600 as the default printer; click **Next**.

8. Return to [Installing printer software for Windows](#) to perform Step 7 and Step 8 of the installation procedure.

Note See the *Adobe PostScript Printer Driver User Guide* on the printer's CD-ROM (*USRGUIDE.PDF*) for detailed information on the AdobePS 4 driver.

End


Setting up the drivers for Windows 3.1

Tektronix driver

Adobe PostScript driver

1. Follow [Installing printer software for Windows](#), through Step 6.

2. Type in the drive you are using and click **OK**.
3. Select your printer and click **Next**:
 - **Tektronix Phaser 600 - Base version** (standard configuration)
 - **Tektronix Phaser 600 - Extended Features** (Extended Features option)

Note Press and hold down the front panel's  button for configuration information.

2. The Adobe installer automatically starts. Click **Continue**.
3. Click **Restart Windows** (Windows is not restarted yet; the Adobe installer completes and the printer installer continues).
4. Return to [Installing printer software for Windows](#) to perform Step 7 and Step 8 of the installation procedure. Then go on to Step 1 of the next procedure. Windows is automatically restarted.


Setting up the drivers for Windows 3.1 (cont'd.)

Tektronix driver

4. Return to [Installing printer software for Windows](#) to perform Step **7** and Step **8** of the installation procedure. Then go on to Step **1** of the next procedure, below.

Adobe PostScript driver

5. Select your printer and click **Install**:
 - **Tektronix Phaser 600**
(standard configuration)
 - **Tektronix Phaser 600 - Extended**
(Extended Features option)

Note Press and hold down the front panel's  button for configuration information.
6. Click **OK**; click **Close**; click **OK**.

Note See the *Adobe PostScript Printer Driver User Guide* on the printer's CD-ROM (*USRGUIDE.PDF*) for detailed information on the AdobePS 3 driver.



1. In the **Control Panel**, double-click **Printers**.
2. Select the **Tektronix Phaser 600** printer you installed in the above procedure; click **Connect**.
3. Select the port the printer is connected to; click **OK**.

End


Setting up a PostScript driver for Windows NT 3.5 and 3.51

Note The Windows NT driver does not support the PhaserMatch application. Refer to [Which Windows driver to install?](#) for information on drivers that do.

You may need your original Windows NT setup diskettes (or CD-ROM) to complete this procedure.

1. If your computer has an Intel-compatible processor, such as the Intel I386, go on to Step **2**.
If your computer is a MIPS, Alpha, or PowerPC, edit the *PRINTER.INF* file (located in the *WIN95_95* directory on the printer's CD-ROM or in the top level of the Windows 95/NT diskette).
 - a. Copy these files to a new, formatted diskette, *placing them at the top (root) level of the new diskette*.

```
TEK1
PRINTER.INF
TKPH6001.PPD      Standard configuration
TKP600P1.PPD     Extended Features option
```

Note Press and hold down the printer's  button on the front panel for configuration information.

- b. Open the copy of the *PRINTER.INF* file on the new diskette in a text editor such as **Notepad**.
 - c. Locate the following section in the *PRINTER.INF* file:

```
[ProductType]
STF_PLATFORM = I386
```



Setting up a PostScript driver for Windows NT 3.5 and 3.51 (cont'd.)



- d. Replace **I386** with one of the following depending on your computer type:
 - **MIPS** for a MIPS platform
 - **Alpha** for an Alpha platform
 - **ppc** for a PowerPC
 - e. Save the *PRINTER.INF* file.
2. Double-click on the **Print Manager** icon in the **Main** window.
 3. If you have a PostScript printer driver installed, go on to Step 4.
If not, install one now. Driver files are required to complete the Tektronix printer installation.
 - a. From the **Printer** menu, select **Create Printer**; the **Create Printer** dialog box appears.
 - b. Under **Driver**, scroll through the list and select a PostScript printer, such as the Apple LaserWriter NT, and click **OK**.
 - c. Follow the on-line instructions to install the driver files from your Windows NT CD-ROM or diskettes.
 4. In the Printer menu, select **Create Printer**; under **Driver**, select **Other**.
 5. When prompted, type in the CD-ROM or diskette drive location; click **OK**.




Setting up a PostScript driver for Windows NT 3.5 and 3.51 (cont'd.)



6. Select your printer and click **OK**:

- **Tektronix Phaser 600** (standard configuration)
- **Tektronix Phaser 600 with Extended features** (Extended Features option)

Note Press and hold down the printer's  button on the front panel for configuration information.

7. Type in the drive's path from Step 5; click **Continue**.

8. Click **Ignore** when prompted for the location of the *PSCRPTUI.DLL* and *PSCRIPT.DLL* files.

9. In the **Create Printer** dialog box, fill in the other fields as desired, then click **OK**.

10. Select options in the **PostScript Printer Setup** dialog box. Click **OK**.

Recommended: enable the **Use Printer Halftoning** option.

11. If you installed a PostScript printer in Step 3, delete it now:

- a. Select the printer you want to remove.
- b. Select **Remove Printer** in the **Printer** menu. Click **OK**.

End

Setting up the printer on a network for Windows NT 3.5 and 3.51

TCP/IP Connection

AppleTalk Connection



Note Windows NT 3.5 and 3.51 include network software called **Services for Macintosh** (AppleTalk) and **TCP/IP print services** (for TCP/IP; lpr print services). Refer to your Windows NT manual for instructions on installing this network software. After this software is loaded, follow these steps:

1. Select **Create a new printer** in the **Print Manager**; select the appropriate printer driver.
2. Select **Other** in the **Print to** field of the From the **Printer Properties** dialog box.

3. Select **LPR Port** for **Available Print Monitors**; click **OK**.

3. Select **AppleTalk Printing Devices** for **Available Print Monitors**; click **OK**.



Setting up the printer on a network for Windows NT 3.5 and 3.51 (cont'd.)

TCP/IP Connection



4. For **Name or address of host providing lpd**, type your printer's **IP address** (or Host name if known to the network).

Note The printer's IP address may be available on the printer's configuration page. If not, ask your network administrator.

5. For **Name of printer on that machine**, type in one of the following:

PS	for PostScript
AUTO	for automatic selection; use capital letters

6. Click **OK** to complete the installation.

AppleTalk Connection



4. Double-click on the appropriate zone (if there are multiple AppleTalk zones).

Select your Tektronix printer and click **OK**.

5. At the prompt **Do you want to capture this AppleTalk Printing Device?**, click **No**.

Note Clicking **Yes** hides the printer from regular Macintosh users, forcing them to use NT Server as a spooler, as long as NT Server allows sharing of this printer.

6. Click **OK** to complete the installation.

End

Setting up a PostScript driver for Windows NT 4.0

Note The Windows NT driver does not support the PhaserMatch application. Refer to [Which Windows driver to install?](#) for information on drivers that do.

You must have your original Windows NT setup diskettes (or CD-ROM) to complete this procedure.


For information on installing a driver for a Windows NT 4.0 client on a Windows NT 3.51 server, refer to the Tektronix on-line services. See [If you need help](#) for instructions on using the on-line services.

1. In the **Printers Folder**, double-click the **Add Printer** icon.
2. From the **Add Printer** menu, follow the **Add Printer Wizard** instructions until the **Manufacturers/Printers** window appears. Click on **Have Disk**.
3. In the **Install From Disk** dialog box, do the following:
 - a. Click **Browse**.
 - b. In the **Open** dialog box select the **Drive** for the printer's CD-ROM.
 - c. Select the **WIN95_NT** directory under **Folders**; click **OK**.



Setting up a PostScript driver for Windows NT 4.0 (cont'd.)



4. Select your printer from the list that appears, then click **Next**:
 - **Tektronix Phaser 600** (standard configuration)
 - **Tektronix Phaser 600 Extended Features** (Extended Features option)
- Note** Press and hold down the printer's  button on the front panel for configuration information.
5. Select the appropriate settings in **Add Printer Wizard**, then click **Finish**.
6. In the **Files Needed** dialog box, click **Browse** and locate the printer's CD-ROM or installation diskette; click **OK**.
7. Select the appropriate settings in **Add Printer Wizard**, then click **Finish**.
8. In the **Files Needed** dialog box, click **Browse** and locate the printer's CD-ROM or installation diskette; click **OK**.
9. When you are returned to the **Properties** dialog box, fill in the other fields as desired, then click **OK**.

End

Setting up the printer on a network for Windows NT 4.0

To add or update the driver on a Windows NT 4.0 Server or Workstation



Note The Windows NT driver does not support the PhaserMatch application. Refer to [Which Windows driver to install?](#) for information on drivers that do.

You must have your original Windows NT 4.0 diskettes (or CD-ROM) to complete this procedure.

You will need the printer's IP address for this procedure; it may be available on the printer's configuration page. If not, ask your network administrator.

1. Log-in as Administrator or a user with administrator rights.
2. Click on the **Start** button. Select **Settings**, then select **Printer** from the sub menu.
3. Double-click on the **Add Printer** icon In the **Printers** dialog box.
4. Select one of these options, then click **Next**:
 - **My Computer** Locally installed and managed printer
 - **Network** Networked printer



Setting up the printer on a network for Windows NT 4.0 (cont'd.)



5. If this is a locally connected printer, click on the port that the printer is connected to:

- **LPTx** Parallel-printer connection
- **COM** Serial-connected printer
- **Add Port** Networked printer

Recommended: connect via TCP/IP by double-clicking on the **LPR Port**.

Note If the LPR port is not listed in this box, the Microsoft TCP/IP Printing Services needs to be added to the NT machine. The original Windows NT distribution diskettes are needed during installation. Click Start, Settings, Control Panel, Network. Click on the Services tab, then click Add. Select Microsoft TCP/IP Printing, then click OK and install this service.

If Microsoft TCP/IP Printing Services are not listed in the options box, install the TCP/IP protocol on the server. This is done from the Control Panel/Network box. Click on the Protocols tab and click on Add. Select TCP/IP Protocol and click OK. To apply these changes, restart the Windows NT 4.0 server.

6. Enter the printer's IP address in the box labeled **Name or address of server providing lpd**.



Setting up the printer on a network for Windows NT 4.0 (cont'd.)



7. In the box marked **Name of printer or print queue on that server**, enter **PS** (for PostScript) in uppercase, then click **OK**.
8. Click **Close** in the **Printer Ports** box.
9. In the **Add Printer Wizard** dialog box, click the box next to this new port; then click **Next**.
10. In the **Add Printer Wizard** dialog box, click **Have Disk** to add a new Tektronix driver.
11. Type in the path name (CD-ROM or diskette) to the driver files, then click **OK**.
12. Select the printer model and click **Next**.
13. If prompted that a driver is already installed for this printer, select **Replace existing driver**, then click **Next**.
14. Type in the printer's name (any name you want). Click the appropriate box to use this printer as the default. Then click **Next**.



Setting up the printer on a network for Windows NT 4.0 (cont'd.)



- 15.** Check one of the following options, then click **Next**:
- **Shared** To share the printer on the network (Click on all platforms that may use this printer.)
 - **Not shared** If the printer is a local printer only
- 16.** Select one of these options, then click **Finish**:
- **Yes** Print a test page ***Recommended***
 - **No** Do not print a test page
- 17.** Insert the original Windows NT distribution CD-ROM into your computer's CD-ROM drive.
- 18.** Type in the path name to the requested files, then click **OK**.
(The files are usually in the *1386* directory for Intel-based Windows NT servers.)
- 19.** If you printed a test page, check if it printed; then click **OK**.
-

End

Macintosh software

Click on the following topics for more information:

- [Which Macintosh driver to install?](#)
- [Custom Install or Easy Install?](#)

Which Macintosh driver to install?

Macintosh Driver	Features	Notes
Phaser 600 (Apple 7.1.2)	<ul style="list-style-type: none"> ■ Simple, familiar interface for 7.1.2 users ■ Faster foreground printing ■ Supports PhaserMatch custom profiles ■ Lets you to disable background printing for printing large files. 	<ul style="list-style-type: none"> ■ No support for custom page sizes
LaserWriter 8 (Apple 8.3.2)	<ul style="list-style-type: none"> ■ Required by some applications (PageMaker) ■ Slower foreground printing ■ Custom page sizes ■ ColorSync support 	<ul style="list-style-type: none"> ■ No support for PhaserMatch custom profiles
PSPrinter (Adobe 8.3.1)	<ul style="list-style-type: none"> ■ Includes all features of the LaserWriter 8 driver ■ Supports PhaserMatch custom profiles ■ ColorSync support ■ Includes N-Up and Watermark 	<ul style="list-style-type: none"> ■ Slower foreground printing
Phaser 600 GX	<ul style="list-style-type: none"> ■ For use with QuickDraw GX ■ Supports PhaserMatch custom profiles 	

Custom Install or Easy Install?

Installer options	Software	Description	Installed folder	
Custom Install	Easy Install	Adobe PSPrinter Driver 8.3.1	Driver for use with all (non-GX) Macintosh systems.	<i>System Folder:Extensions</i>
		Phaser 600 Driver	Custom driver based on the LaserWriter 7.1.2 printer driver.	<i>System Folder: Extensions</i>
		Phaser 600 GX Driver	Driver for use with QuickDraw GX.	<i>System Folder: Extensions</i>
		Printer Descriptions	PPDs for use with drivers and applications.	<i>System Folder:Extensions: Printer Descriptions</i>
		Screen Fonts	Screen fonts to match the printer's fonts.	<i>System Folder:Fonts</i>
		ColorSync Profile	Printer profile for use with ColorSync 2.0.	<i>System Folder: Preferences: ColorSync™ Profiles</i>
		Samplers	Color sampler charts and a fonts sampler.	<i>PhaserTools:Samplers</i>
		QuarkXPress PDF File	File for use with the QuarkXPress application.	<i>QuarkXPress application folder: PDF</i>
		PhaserPrint Photoshop Plug-in	Custom plug-in for printing from Adobe Photoshop.	<i>Photoshop application folder: Plugs-ins: Acquire/Export</i>
		Adobe Acrobat Reader	Installs the alias to the Acrobat Reader installer onto your hard disk.	Installs alias to Acrobat Reader installer in <i>PhaserTools</i> folder.
		LaserWriter 8.3.2 Driver	Installs the alias to the Apple LaserWriter driver installer onto your hard disk.	Installs alias to the LaserWriter installer in <i>PhaserTools</i> folder.
		Manuals *	Acrobat Reader PDF files of the printer's manuals.	<i>PhaserTools:Manuals</i>
		Printer Utilities *	Printer utility files for controlling printer features.	<i>PhaserTools: Printer Utilities</i>
	Network Utilities *	Utility files for using the printer on a network.	<i>PhaserTools:Network Utilities</i>	
	PANTONE Files *	PANTONE Color library files and sampler chart.	<i>PhaserTools:PANTONE Files</i>	

* Available only on the printer's CD-ROM.

Installing printer software for Macintosh

Note Use the installer application on the printer's CD-ROM or diskettes to install the printer's standard software. Then, continue with driver-specific setup instructions for the driver you are using.

1. Insert either the printer's CD-ROM or Macintosh diskette into the appropriate drive on your computer.
 2. Double-click the **Phaser 600 Installer** icon. Click **Continue** until the **Easy Install** window appears.
 3. Select **Easy Install** or **Custom Install** (see [Custom Install or Easy Install?](#) for the list of files in each):
 - **Easy Install:** Click **Install**.
 - For details on each item, click **Read Me**.
 - **Custom Install:** Select **Custom Install** (CD-ROM only).
 - Select individual items to install.
 - Click the **/** buttons for information on each item.
 - Click **Install** when to install the selected items.
-

Setting up the Phaser 600 printer driver

Note Phaser 600 driver is a Tektronix-modified version of Apple's LaserWriter 7.1.2 printer driver. Use it if you are using System Software 6.0.7, or 7.0 and later. It is the easiest driver to use.

1. After installing the printer's software, including the **Phaser 600 Driver** ([Installing printer software for Macintosh](#)), select **Chooser** from the **Apple** menu.
 2. Click on the **Phaser 600** printer driver icon on the left side of the **Chooser**.
 3. Click on the **Zone** for your printer. See your network administrator if you have questions.
 4. Click on your **Phaser 600** printer in the list of printers on the right side of the **Chooser**. If it is not in the list, check your hardware connections and which zone you have selected in the **Chooser**.
 5. Close the **Chooser**.
-

Setting up the Adobe PSPrinter driver

Note The Adobe PSPrinter driver uses printer-specific PPD (PostScript Printer Description) files for information on a printer's page sizes and printing options. Follow these steps to use the Adobe PSPrinter driver with a Phaser 600 printer. If the printer is busy, it may take some time to complete this set-up procedure; do this when the printer is idle. You only have to set up a printer once.

For more information on this driver, refer to the Adobe PSPrinter Manual on the printer's CD-ROM for more detailed information on the Adobe PSPrinter driver.

1. After installing the printer's software, including the **Adobe PSPrinter Driver** and **Printer Descriptions** ([Installing printer software for Macintosh](#)), open the **Chooser**.
2. Select the **PSPrinter** driver icon.
3. Click on the **Zone** for your printer. See your network administrator if you have questions.
4. Click on your printer in the list of printers in the **Chooser**.
5. Click **Setup**.
6. Click on the PPD for your printer, then click **Select**:
 - **TKPH6001.PPD** Standard configuration
 - **TKP600P1.PPD** Extended Features option

Note Press and hold down the printer's  button on the front panel for configuration information.

7. Close the **Chooser**.

Setting up the Phaser 600 GX driver

Note Use the Phaser 600 GX driver if you are using Apple Macintosh QuickDraw GX.

QuickDraw GX does not work with non-QuickDraw GX printer drivers. To print from non-QuickDraw GX applications with a driver such as the LaserWriter 8, disable QuickDraw GX.

For more information on this driver, refer to [Using the Phaser 600 GX Driver](#).

1. After installing the printer's software, including the **Phaser 600 GX Driver** ([Installing printer software for Macintosh](#)), open the **Chooser** from the **Apple** menu.
2. Select the **Phaser 600 GX** driver icon.
3. Click on the **Zone** for your printer. See your network administrator if you have questions.
4. Click on your printer in the list of printers in the **Chooser**.
5. In the **Connect via** field's pop-up menu, select your printer's communication method:
 - **AppleTalk** option Standard network connection
 - **Servers** option Selects a shared desktop printer
6. Click the **Phaser 600** printer in the list of printers in the **Chooser**.
7. Click **Create** (to create a desktop printer). An icon of the printer appears on the desktop with the same name as the printer selected in the **Chooser**.
8. Close the **Chooser**.

Setting up the Apple LaserWriter 8 driver

Note The LaserWriter 8 driver, available only on the printer's CD-ROM, uses printer-specific PPD (PostScript Printer Description) files for information on a printer's page sizes and printing options. Follow these steps to use the LaserWriter 8 driver with a Phaser 600 printer.

If the printer is busy, it may take some time to complete this set-up procedure; do this when the printer is idle. You only have to set up a printer once.

During installation, the LaserWriter 8 driver leaves other versions of the LaserWriter driver (such as 7.x and 6.x) intact, but overwrites an earlier version of the LaserWriter 8 driver.


1. Follow the software installation on [Installing printer software for Macintosh](#). At Step **3**, choose **Custom Install**; then select **LaserWriter 8.x Driver** and **Printer Descriptions**.
2. Install the driver:
 - a. In the *PhaserTools* folder on your hard disk, locate the alias to the *LaserWriter 8.x Installer*.
 - b. Double-click on the alias to open the installer application on the printer's CD-ROM (the CD-ROM must be inserted to be accessed).
 - c. Follow the on-screen instructions to install the driver.
3. Open the **Chooser**; select the **LaserWriter 8** driver icon.



Setting up the Apple LaserWriter 8 driver (cont'd.)



4. Click on the **Zone** your printer is in. See your network administrator if you have questions.
5. Select your printer from the list.
6. Still in the **Chooser**, click the **Setup** button to see a list of options.
7. The correct PPD file is automatically selected. If it is not, click on the PPD for your printer, then click **Select**:
 - **TKPH6001.PPD** Standard configuration
 - **TKP600P1.PPD** Extended Features option

Note Press and hold down the printer's  button on the front panel for configuration information.

8. Select the appropriate items under **Installable Options**, then click **OK**.
9. Close the **Chooser**.

End

Workstation software

Downloadable printer utility files

Note Refer to [Printing from UNIX and VMS Workstations](#) for more information on printing from a workstation.

These utility files on the printer's CD-ROM and diskettes can be used with UNIX and VMS workstations; they let you set up your spooling system to select the following:

- Print-quality mode
- Color correction mode
- Media size
- Other printer features

UNIX workstation users can access utility files in any of the following ways:

- If your system includes a CD-ROM drive, install the files from the printer's CD-ROM. Look in the `.bin` direction for workstation-specific files.
 - Mount the printer's diskette and copy the files.
 - Access the Tektronix anonymous **ftp** site on the Internet at **ftp.tek.com**.
 - Download utility files from the Tektronix Bulletin Board Service (BBS); refer to [If you need help](#) for information.
 - Access the Tektronix World Wide Web server on the Internet:
 - http://www.tek.com/Color_Printers/** Home page
 - ftp://ftp.tek.com/bbs/<platform>/600** Utility files
 - Access sample scripts that are available on-line; refer to [If you need help](#) for information.
-

PhaserPrint software for UNIX (demo)

Optional PhaserPrint™ for UNIX software provides:

- Driver-selectable printer options
- Fast raster file printing to Tektronix color printers
- Fast screen-copy printing to Tektronix color printers

Note The printer's CD-ROM contains a demonstration copy of the PhaserPrint for UNIX software and an on-line instruction guide in the *UNIXDEMO* directory. For order information, refer to [PhaserPrint](#).



PRINTING BASICS

Phaser[®] 600 Wide-Format Color Printer

Printing overview

You can print to your printer from Windows-based PCs (personal computers), Macintosh computers, and workstations. Make sure that your printer is set up with the appropriate interface port; refer to [Connecting the printer](#). If you haven't already installed the printer's software, refer to [Software installation](#) for instructions before continuing.

Refer to the following topics for specific information:

- [Printing from a PC](#)
- [Printing from a Macintosh](#)
- [Printing from a workstation](#)

Printing from a PC

You can print from a PC with or without a printer driver. The supported drivers allow you to select printing features right from your computer. Without a supported driver, you can make some printing selections from the printer's front panel; refer to [Using the Front Panel](#).

Click on the following topics for more information:

- [Print features quick reference: Windows printer drivers](#)
- [Using the Microsoft PostScript driver with Windows 95](#)
- [Using the AdobePS 4 driver with Windows 95](#)
- [Using the Tektronix printer driver for Windows 3.1](#)
- [Using the Adobe PostScript driver for Windows 3.1](#)
- [Using the Windows NT 3.5 and 3.51 PostScript driver](#)
- [Using the Windows NT 4.0 PostScript driver](#)
- [Printing From DOS](#)

Print features quick reference: Windows printer drivers

Click on the following topics for individual print feature tables for each driver:

- [Driver for Windows 3.1: AdobePS 3 PostScript Driver](#)
- [Driver for Windows 3.1: Tektronix PostScript Driver](#)
- [Driver for Windows 95: AdobePS 4 and Microsoft PostScript Drivers](#)
- [Driver for Windows NT 4.0](#)

Driver for Windows 3.1: AdobePS 3 PostScript Driver

Feature	Description	Driver selection
Media size <ul style="list-style-type: none"> ■ ANSI A, B, C, D, E ■ ISO A4, A3, A2, A1, A0 ■ JIS B1, B2, B3, B4 ■ Arch. A, B, C, D, E ■ 30 x 42 in. ■ Custom sizes 	Selecting media by size	Paper tab ➔ Paper Size
Media source <ul style="list-style-type: none"> ■ Manual Feed ■ Roll Feed 	Selecting media by size	Paper tab ➔ Paper Source
Print-quality modes <ul style="list-style-type: none"> ■ Standard ■ Enhanced 	Print quality modes	Features tab ➔ Print Quality

Driver for Windows 3.1: AdobePS 3 PostScript Driver (cont'd.)

Feature	Description	Driver selection
Color correction	Color corrections	Features tab
<ul style="list-style-type: none"> ■ None (default) ■ Vivid Color ■ Simulate Display ■ SWOP Press ■ Euroscale Press ■ Commercial Press ■ SNAP Press ■ Monochrome ■ Use Printer Setting ■ Custom Profile 		<ul style="list-style-type: none"> ➔ Color Correction
Fusing Mode	Fusing Mode / Media Fusing	Features tab
<ul style="list-style-type: none"> ■ Cold ■ Hot ■ None 		<ul style="list-style-type: none"> ➔ Fusing Mode
Cut Media	Cut Media	Features tab
<ul style="list-style-type: none"> ■ Never ■ After each page ■ After each job 		<ul style="list-style-type: none"> ➔ Cut Media

Driver for Windows 3.1: AdobePS 3 PostScript Driver (cont'd.)

Feature	Description	Driver selection
Advance Media <ul style="list-style-type: none"> ■ Never ■ After each page ■ After each job ■ Allow Hot Fusing 	Advance Media	Features tab ➔ Advance Media
Print Preview <ul style="list-style-type: none"> ■ On ■ Off (Available only with the Extended Features option.)	Print Preview	Features tab ➔ Print Preview
Page Rotation <ul style="list-style-type: none"> ■ 0 degrees ■ 90 degrees ■ 180 degrees ■ 270 degrees 	Page Rotation	Features tab ➔ Page Rotation
Page Centering <ul style="list-style-type: none"> ■ On ■ Off 	Page Centering	Features tab ➔ Page Centering

Driver for Windows 3.1: AdobePS 3 PostScript Driver (cont'd.)

Feature	Description	Driver selection
Image Smoothing <ul style="list-style-type: none"> ■ On ■ Off 	Image Smoothing	Features tab ↪ Image Smoothing
Color Control Strip <ul style="list-style-type: none"> ■ On ■ Off 	Color Control Strip	Features tab ↪ Color Control Strip
Mirror Print <ul style="list-style-type: none"> ■ On ■ Off 	Mirror Print	Features tab ↪ Mirror Print

Driver for Windows 3.1: Tektronix PostScript Driver

Feature	Description	Driver selection
Media size <ul style="list-style-type: none"> ■ ANSI A, B, C, D, E ■ ISO A4, A3, A2, A1, A0 ■ JIS B1, B2, B3, B4 ■ Arch. A, B, C, D, E ■ 30 x 42 in. ■ Custom sizes 	Selecting media by size	Printers <ul style="list-style-type: none"> ➤ Setup <ul style="list-style-type: none"> ➤ Paper Size
Media source <ul style="list-style-type: none"> ■ Manual Feed ■ Roll Feed 	Selecting media by size	Printers <ul style="list-style-type: none"> ➤ Setup <ul style="list-style-type: none"> ➤ Paper Source
Print-quality modes <ul style="list-style-type: none"> ■ Standard ■ Enhanced 	Print quality modes	Options <ul style="list-style-type: none"> ➤ Printer Features <ul style="list-style-type: none"> ➤ Print Quality

Driver for Windows 3.1: Tektronix PostScript Driver (cont'd.)

Feature	Description	Driver selection
Color correction	Color corrections	Options
<ul style="list-style-type: none"> ■ None (default) ■ Vivid Color ■ Simulate Display ■ SWOP Press ■ Euroscale Press ■ Commercial Press ■ SNAP Press ■ Monochrome ■ Use Printer Setting ■ Custom Profile 		<ul style="list-style-type: none"> ➤ Printer Features <ul style="list-style-type: none"> ➤ Color Correction
Fusing Mode	Fusing Mode / Media Fusing	Options
<ul style="list-style-type: none"> ■ Cold ■ Hot ■ None 		<ul style="list-style-type: none"> ➤ Printer Features <ul style="list-style-type: none"> ➤ Fusing Mode
Cut Media	Cut Media	Options
<ul style="list-style-type: none"> ■ Never ■ After each page ■ After each job 		<ul style="list-style-type: none"> ➤ Printer Features <ul style="list-style-type: none"> ➤ Cut Media

Driver for Windows 3.1: Tektronix PostScript Driver (cont'd.)

Feature	Description	Driver selection
Advance Media <ul style="list-style-type: none"> ■ Never ■ After each page ■ After each job ■ Allow Hot Fusing 	Advance Media	Options <ul style="list-style-type: none"> ➤ Printer Features <ul style="list-style-type: none"> ➤ Advance Media
Print Preview <ul style="list-style-type: none"> ■ On ■ Off <p>(Available only with the Extended Features option.)</p>	Print Preview	Options <ul style="list-style-type: none"> ➤ Printer Features <ul style="list-style-type: none"> ➤ Print Preview
Page Rotation <ul style="list-style-type: none"> ■ 0 degrees ■ 90 degrees ■ 180 degrees ■ 270 degrees 	Page Rotation	Options <ul style="list-style-type: none"> ➤ Printer Features <ul style="list-style-type: none"> ➤ Page Rotation
Page Centering <ul style="list-style-type: none"> ■ On ■ Off 	Page Centering	Options <ul style="list-style-type: none"> ➤ Printer Features <ul style="list-style-type: none"> ➤ Page Centering

Driver for Windows 3.1: Tektronix PostScript Driver (cont'd.)

Feature	Description	Driver selection
Image Smoothing	Image Smoothing	Options
<ul style="list-style-type: none"> ■ On ■ Off 		<ul style="list-style-type: none"> ➤ Printer Features ➤ Image Smoothing
Color Control Strip	Color Control Strip	Options
<ul style="list-style-type: none"> ■ On ■ Off 		<ul style="list-style-type: none"> ➤ Printer Features ➤ Color Control Strip
Mirror Print	Mirror Print	Options
<ul style="list-style-type: none"> ■ On ■ Off 		<ul style="list-style-type: none"> ➤ Printer Features ➤ Mirror Print

Driver for Windows 95: AdobePS 4 and Microsoft PostScript Drivers

Feature	Description	Driver selection
Media size <ul style="list-style-type: none"> ■ ANSI A, B, C, D, E ■ ISO A4, A3, A2, A1, A0 ■ JIS B1, B2, B3, B4 ■ Arch. A, B, C, D, E ■ 30 x 42 in. ■ Custom sizes 	Selecting media by size	Properties <ul style="list-style-type: none"> ➤ Paper tab <ul style="list-style-type: none"> ➤ Paper Size
Media source <ul style="list-style-type: none"> ■ Manual Feed ■ Roll Feed 	Selecting media by size	Properties <ul style="list-style-type: none"> ➤ Paper tab <ul style="list-style-type: none"> ➤ Paper Source
Print-quality modes <ul style="list-style-type: none"> ■ Standard ■ Enhanced 	Print quality modes	Properties <ul style="list-style-type: none"> ➤ Device Options tab <ul style="list-style-type: none"> ➤ Printer Features <ul style="list-style-type: none"> ➤ Print Quality

Driver for Windows 95: AdobePS 4 and Microsoft PostScript Drivers (cont'd.)

Feature	Description	Driver selection
<p>Color correction</p> <ul style="list-style-type: none"> ■ None (default) ■ Vivid Color ■ Simulate Display ■ SWOP Press ■ Euroscale Press ■ Commercial Press ■ SNAP Press ■ Monochrome ■ Use Printer Setting ■ Custom Profile 	<p><u>Color corrections</u></p>	<p>Properties</p> <ul style="list-style-type: none"> ➤ Device Options tab <ul style="list-style-type: none"> ➤ Printer Features <ul style="list-style-type: none"> ➤ Color Correction
<p>Fusing Mode</p> <ul style="list-style-type: none"> ■ Cold ■ Hot ■ None 	<p><u>Fusing Mode / Media Fusing</u></p>	<p>Properties</p> <ul style="list-style-type: none"> ➤ Device Options tab <ul style="list-style-type: none"> ➤ Printer Features <ul style="list-style-type: none"> ➤ Fusing Mode
<p>Cut Media</p> <ul style="list-style-type: none"> ■ Never ■ After each page ■ After each job 	<p><u>Cut Media</u></p>	<p>Properties</p> <ul style="list-style-type: none"> ➤ Device Options tab <ul style="list-style-type: none"> ➤ Printer Features <ul style="list-style-type: none"> ➤ Cut Media

Driver for Windows 95: AdobePS 4 and Microsoft PostScript Drivers (cont'd.)

Feature	Description	Driver selection
<p>Advance Media</p> <ul style="list-style-type: none"> ■ Never ■ After each page ■ After each job ■ Allow Hot Fusing 	<p><u>Advance Media</u></p>	<p>Properties</p> <ul style="list-style-type: none"> ➤ Device Options tab <ul style="list-style-type: none"> ➤ Printer Features <ul style="list-style-type: none"> ➤ Advance Media
<p>Print Preview</p> <ul style="list-style-type: none"> ■ On ■ Off <p>(Available only with the Extended Features option.)</p>	<p><u>Print Preview</u></p>	<p>Properties</p> <ul style="list-style-type: none"> ➤ Device Options tab <ul style="list-style-type: none"> ➤ Printer Features <ul style="list-style-type: none"> ➤ Print Preview
<p>Page Rotation</p> <ul style="list-style-type: none"> ■ 0 degrees ■ 90 degrees ■ 180 degrees ■ 270 degrees 	<p><u>Page Rotation</u></p>	<p>Properties</p> <ul style="list-style-type: none"> ➤ Device Options tab <ul style="list-style-type: none"> ➤ Printer Features <ul style="list-style-type: none"> ➤ Page Rotation
<p>Page Centering</p> <ul style="list-style-type: none"> ■ On ■ Off 	<p><u>Page Centering</u></p>	<p>Properties</p> <ul style="list-style-type: none"> ➤ Device Options tab <ul style="list-style-type: none"> ➤ Printer Features <ul style="list-style-type: none"> ➤ Page Centering

Driver for Windows 95: AdobePS 4 and Microsoft PostScript Drivers (cont'd.)

Feature	Description	Driver selection
Image Smoothing <ul style="list-style-type: none"> ■ On ■ Off 	<u>Image Smoothing</u>	Properties ↳ Device Options tab ↳ Printer Features ↳ Image Smoothing
Color Control Strip <ul style="list-style-type: none"> ■ On ■ Off 	<u>Color Control Strip</u>	Properties ↳ Device Options tab ↳ Printer Features ↳ Color Control Strip
Mirror Print <ul style="list-style-type: none"> ■ On ■ Off 	<u>Mirror Print</u>	Properties ↳ Device Options tab ↳ Printer Features ↳ Mirror Print

Driver for Windows NT 4.0

Feature	Description	Driver selection
<p>Media size</p> <ul style="list-style-type: none"> ■ ANSI A, B, C, D, E ■ ISO A4, A3, A2, A1, A0 ■ JIS B1, B2, B3, B4 ■ Arch. A, B, C, D, E ■ 30 x 42 in. ■ Custom sizes 	<p>Selecting media by size</p>	<p>Print</p> <ul style="list-style-type: none"> ➤ Properties <ul style="list-style-type: none"> ➤ Advanced tab <ul style="list-style-type: none"> ➤ Paper/output <ul style="list-style-type: none"> ➤ Paper Size
<p>Media source</p> <ul style="list-style-type: none"> ■ Manual Feed ■ Roll Feed 	<p>Selecting media by size</p>	<p>Print</p> <ul style="list-style-type: none"> ➤ Properties <ul style="list-style-type: none"> ➤ Advanced tab <ul style="list-style-type: none"> ➤ Paper/output <ul style="list-style-type: none"> ➤ Paper Source
<p>Print-quality modes</p> <ul style="list-style-type: none"> ■ Standard ■ Enhanced 	<p>Print quality modes</p>	<p>Print</p> <ul style="list-style-type: none"> ➤ Properties <ul style="list-style-type: none"> ➤ Advanced tab <ul style="list-style-type: none"> ➤ Printer Features <ul style="list-style-type: none"> ➤ Print Quality

Driver for Windows NT 4.0 (cont'd.)

Feature	Description	Driver selection
Color correction <ul style="list-style-type: none"> ■ None (default) ■ Vivid Color ■ Simulate Display ■ SWOP Press ■ Euroscale Press ■ Commercial Press ■ SNAP Press ■ Monochrome ■ Use Printer Setting ■ Custom Profile 	Color corrections	Print <ul style="list-style-type: none"> ➤ Properties <ul style="list-style-type: none"> ➤ Advanced tab <ul style="list-style-type: none"> ➤ Printer Features <ul style="list-style-type: none"> ➤ Color Correction
Fusing Mode <ul style="list-style-type: none"> ■ Cold ■ Hot ■ None 	Fusing Mode / Media Fusing	Print <ul style="list-style-type: none"> ➤ Properties <ul style="list-style-type: none"> ➤ Advanced tab <ul style="list-style-type: none"> ➤ Printer Features <ul style="list-style-type: none"> ➤ Fusing Mode
Cut Media <ul style="list-style-type: none"> ■ Never ■ After each page ■ After each job 	Cut Media	Print <ul style="list-style-type: none"> ➤ Properties <ul style="list-style-type: none"> ➤ Advanced tab <ul style="list-style-type: none"> ➤ Printer Features <ul style="list-style-type: none"> ➤ Cut Media

Driver for Windows NT 4.0 (cont'd.)

Feature	Description	Driver selection
Advance Media <ul style="list-style-type: none"> ■ Never ■ After each page ■ After each job ■ Allow Hot Fusing 	Advance Media	Print <ul style="list-style-type: none"> ➤ Properties <ul style="list-style-type: none"> ➤ Advanced tab <ul style="list-style-type: none"> ➤ Printer Features <ul style="list-style-type: none"> ➤ Advance Media
Print Preview <ul style="list-style-type: none"> ■ On ■ Off <p>(Available only with the Extended Features option.)</p>	Print Preview	Print <ul style="list-style-type: none"> ➤ Properties <ul style="list-style-type: none"> ➤ Advanced tab <ul style="list-style-type: none"> ➤ Printer Features <ul style="list-style-type: none"> ➤ Print Preview
Page Rotation <ul style="list-style-type: none"> ■ 0 degrees ■ 90 degrees ■ 180 degrees ■ 270 degrees 	Page Rotation	Print <ul style="list-style-type: none"> ➤ Properties <ul style="list-style-type: none"> ➤ Advanced tab <ul style="list-style-type: none"> ➤ Printer Features <ul style="list-style-type: none"> ➤ Page Rotation

Driver for Windows NT 4.0 (cont'd.)

Feature	Description	Driver selection
Page Centering <ul style="list-style-type: none"> ■ On ■ Off 	<u>Page Centering</u>	Print ↳ Properties ↳ Advanced tab ↳ Printer Features ↳ Page Centering
Image Smoothing <ul style="list-style-type: none"> ■ On ■ Off 	<u>Image Smoothing</u>	Print ↳ Properties ↳ Advanced tab ↳ Printer Features ↳ Image Smoothing
Color Control Strip <ul style="list-style-type: none"> ■ On ■ Off 	<u>Color Control Strip</u>	Print ↳ Properties ↳ Advanced tab ↳ Printer Features ↳ Color Control Strip

Driver for Windows NT 4.0 (cont'd.)

Feature	Description	Driver selection
<p>Mirror Print</p> <ul style="list-style-type: none"> ■ On ■ Off 	<p>Mirror Print</p>	<p>Print</p> <ul style="list-style-type: none"> ➤ Properties <ul style="list-style-type: none"> ➤ Advanced tab <ul style="list-style-type: none"> ➤ Printer Features <ul style="list-style-type: none"> ➤ Mirror Print

Using the Microsoft PostScript driver with Windows 95

To select printing options, follow these steps:

- 1 In the **Printers** window, click the **Phaser 600** printer icon with the right mouse button, then select **Properties** from the menu.
- 2 Click the following tabs to see printing options; refer to your Windows 95 documentation for more information on tabs and options.
 - Click the **Details** tab to see timeout and other options.
 - Set the **Timeout settings**.

Not Selected: Type a value from **0** to **999**, in this text box to change the number of seconds Windows waits before notifying you that a printer is off-line. The default is **15** seconds.

Transmission Retry: On large or multiple-page documents you may see an Alert message that the printer is no longer accepting data before the job is completely sent to the printer. When using a shared printer, you should set this option to a larger value, such as **900 seconds** (15 minutes) to avoid these unnecessary timeouts. Type a value between **45** and **999** in this text box; the default setting is **45** seconds.

- Click the **Paper** tab to see media options, such as media sizes and media source; use manual feed for cut-sheet media.
- Click the **Graphics** tab to see graphics options.

N O T E

Use the **Print Quality** selections in the **Device Options** tab instead of the **Resolution Options** in the **Graphics** tab. [Click the Device Options tab to see printer-specific options, such as color corrections.](#) for details.

NOTE



If you are using host color correction, you need to make selections in the **Graphics** and **Device Options** tabs. Refer to [Color Matching](#) for more information on host color correction.

- Click the **Device Options** tab to see printer-specific options, such as color corrections.
- Click the **PostScript** tab to see PostScript-related options.
 - The PostScript header contains important PostScript information that must accompany each print job; it is not a banner page printed with each job. If an option is not selected, an error message is displayed on your computer screen and your job does not print. Click one of the following in the **PostScript header** field:

Select **Download header with each print job**. This option downloads PostScript header information with each print job.

Click the **Send Header Now** button to save the PostScript header information in the printer, then select the **Assume header is downloaded and retained** option. This option makes print files a little smaller and faster than the first option, but you need to click the **Send Header Now** button every time the printer is turned off or reset.

- Click the **Advanced** button to see more options. Select **Use PostScript Level 2 features**. For faster printing, select **Binary communications protocol** under **Data format**. To ensure job integrity, select **Send Ctrl-D** before and after a job. Click **OK** when finished.
- Under **PostScript Timeout** values, leave **Job Timeout** set to **0**. Set **WaitTimeout** to the default, **240** (4 minutes). Setting it higher ensures that you will not lose a multi-page job due to a timeout after the **Transmission Retry** alert message is displayed.

Using the AdobePS 4 driver with Windows 95

To select printing options, follow these steps:

- 1** In the **Printers** window, click the **Phaser 600** printer icon with the right mouse button, then select **Properties** from the menu.
- 2** Click the following tabs to see printing options; refer to your Windows 95 documentation for more information on tabs and options.
 - Click the **Details** tab to see timeout and other options.

- Set the **Timeout settings**.

Not Selected: Type a value from **0** to **999**, in this text box to set the number of seconds Windows waits before notifying you that a printer is off-line. The default is **15** seconds.

Transmission Retry: On large or multiple-page documents you may see an Alert message that the printer is no longer accepting data before the job is completely sent to the printer. When using a shared printer, you should set this option to a larger value, such as **900 seconds** (15 minutes) to avoid these unnecessary timeouts. Type a value between **45** and **999** in this text box; the default setting is **45** seconds.

- Click the **Paper** tab to see media options, such as media sizes and media source; use manual feed for cut-sheet.
- Click the **Graphics** tab to see graphics options.

N O T E

If you are using host color correction, you need to make selections in the **Graphics** and **Device Options** tabs. Refer to [Color Matching](#) for more information on host color correction.

- Click the **Device Options** tab to see printer-specific options, such as color corrections.

- Click the **PostScript** tab to see PostScript-related options.
- The PostScript header contains important PostScript information that must accompany each print job; it is not a banner page printed with each job. If an option is not selected, an error message is displayed on your computer screen and your job does not print. Click one of the following in the **PostScript header** field:

Select **Download header with each print job**. This option downloads PostScript header information with each print job.

Click the **Send Header Now** button to save the PostScript header information in the printer, then select the **Assume header is downloaded and retained** option. This option makes print files a little smaller and faster than the first option, but you need to click the **Send Header Now** button every time the printer is turned off or reset.

- Click the **Advanced** button to see more options. Select **Use PostScript Level 2 features**. For faster printing, select **Binary communications protocol** under **Data format**. To ensure job integrity, select **Send Ctrl-D** before and after a job. Click **OK** when finished.

- Under **PostScript Timeout** values, leave **Job Timeout** set to **0**. Set **WaitTimeout** to the default, **240** (4 minutes). Setting it higher ensures that you will not lose a multi-page job due to a timeout after the **Transmission Retry** alert message is displayed.

Using the Tektronix printer driver for Windows 3.1

To select printing options, follow these steps:

- 1** From the **Control Panel**, double-click the **Printers** icon.
- 2** In the **Printers** dialog box, choose your printer from the list of installed printers.
- 3** Click the **Set As Default Printer** button if you want to select your printer as the default.
- 4** Click the **Connect** button; the **Connect** dialog box appears.

5 Select the port to which your printer is connected.

The printer's configuration page contains the information you need to set up the printer's port. Refer to [Printing the configuration page](#) for instructions on printing a configuration page.

Interface	Select	Then do the following
Parallel	LPTx	Go to Step 6.
Network	Network port (LPTx or COMx)	<ol style="list-style-type: none"> 1. Click the Network button to open the Printers-Network Connections dialog box. 2. Fill in each item based on your configuration, then click OK. <p>Refer to your Microsoft Windows documentation for details, or ask your network administrator for help.</p>
Serial	COMx	Set up the serial port.

N O T E 

You can use the **FILE** port to save a document to a PostScript file instead of sending it to the printer. For more information, see your Microsoft Windows documentation.

6 Set the **Timeouts**. These options regulate your computer's communications with its printer ports.

■ **Device Not Selected:**

Type a value from **0** to **999**, in this text box to change the number of seconds Windows waits before notifying you that a printer is off-line. The default is **15** seconds.

■ **Transmission Retry:**

On large or multiple-page documents you may see an Alert message that the printer is no longer accepting data before the job is completely downloaded to the printer. When using a shared printer, you should set this option to a larger value, such as **900 seconds** (15 minutes), to avoid these unnecessary timeouts. Type a value between **45** and **999** in this text box; the default setting is **45** seconds.

7 Click **OK** to return to the **Printers** dialog box, then click the **Setup** button. A dialog box appears with the name of the printer you selected across the top. Use this dialog box to select paper source, paper size, and image orientation.

- 8 From the **Setup** dialog box, click the **Options** button to see the **Options** dialog box. Refer to your Microsoft Windows documentation for details on the options in this dialog box.
- Make sure the **Color** check box is **on** to print in color.
 - Make sure the **Send Header with Each Job** check box is *on*.

N O T E

The Header contains important PostScript information that must accompany each print job; it is not a banner page printed with each job. If this box is not checked, an error message is displayed on your computer screen and your job does not print.

- 9 From the **Options** dialog box, click the **Advanced** button to see the **Advanced Options** dialog box. Make sure the **Use PostScript Level 2 Features** check box is checked *on*.

N O T E

The **Use PostScript Level 2 Features** option affects the print time of bitmapped (raster) images by improving the image transfer time from the computer to the printer, and by improving the image processing time in the printer. This option is only available to applications that use this Tektronix driver with Tektronix PostScript Level 2 printers. When this box is checked, the **Compress Bitmaps** option is unavailable (grayed-out).

- 10 Click **OK** to return to the **Options** dialog box.
- 11 In the **Options** dialog box, click the **Printer Features** button to see the **Tektronix Printer Features** dialog box. Make color correction, print quality, and other selections as desired. Click **OK** to return to the **Options** dialog box.

- 12** Click **OK** to return to the dialog box that lists your printer's name across the top. Make the following printing selections: **Paper Source, Paper Size, Orientation, Copies.**

N O T E

You may want to set the number of copies from your application because the number of copies in the Setup dialog box remains the same until you change it again. Also, if you are printing multiple pages, make sure that the [Transmission Retry:](#) is set for at least 600 seconds (10 minutes).

Using the Adobe PostScript driver for Windows 3.1

To select printing options, follow these steps:

- 1 From the **Control Panel**, double-click **Printers**.
- 2 In the **Printers** dialog box, select the **Tektronix Phaser 600** printer, then click **Setup**. A dialog box appears with the printer's name across the top.
- 3 Click the following tabs to see printing options; refer to your Windows documentation for more information on tabs and options.
 - Click the **Paper** tab to see media options, such as media sizes and media source; use manual feed for cut-sheet media.
 - Click the **Features** tab to see printer-specific options, such as color corrections.

- Set the **Timeout settings**.

Not Selected: Type a value of from **0** to **999**, in this text box to change the number of seconds Windows waits before notifying you that a printer is off-line. The default is **15** seconds.

Transmission Retry: On large or multiple-page documents you may see an Alert message that the printer is no longer accepting data before the job is completely sent to the printer. Set this option to a larger value, such as **900 seconds** (15 minutes) to avoid these unnecessary timeouts. The default setting is **45** seconds.

- Click the **PostScript** tab to see PostScript-related options.
 - In the **Performance Options** field, select the **Use PostScript Level 2 Features** option.
 - Under **PostScript Timeout** values, leave **Job Timeout** set to **0**. Set **WaitTimeout** to the default, **240** (4 minutes). Setting it higher ensures that you will not lose a multi-page job due to a timeout after the **Transmission Retry** alert message is displayed.
- Click the **Job Control** tab to see print job-related options.

NOTE



The PostScript header contains important PostScript information that must accompany each print job; it is not a banner page printed with each job. If an option is not selected, an error message is displayed on your computer screen and your job does not print.

- Click one of the following in the **PostScript Header** field:

Select **Download Each Job**. This option downloads PostScript header information with each print job.

Select the **Already Downloaded** option to save the PostScript header information in the printer, then click the **Download** button. This option makes print files a little smaller and faster than the first option, but you need to click the **Download** button every time the printer is turned off and on or reset.

- For better performance, select the **Binary Mode** option.

Using the Windows NT 3.5 and 3.51 PostScript driver

If you are using Microsoft Windows NT, follow the instructions in [Setting up a PostScript driver for Windows NT 3.5 and 3.51](#) to set up a Windows NT PostScript driver with a Phaser 600 printer.

You can select printer page sizes in the driver for Windows NT applications, however, TekColor color corrections and other PostScript Level 2 features are not supported by the Windows NT driver. Refer to [Selecting print features](#) for instructions on selecting color corrections from the printer's front panel or from downloadable utility files.

Refer to your Microsoft Windows NT documentation for details on features in the Windows NT driver.

Using the Windows NT 4.0 PostScript driver

If you are using Microsoft Windows NT 4.0, first follow the instructions in [Setting up a PostScript driver for Windows NT 4.0](#) to set up a printer driver for a Phaser 600 printer. Then, select TekColor color corrections and other printer features from the Windows NT driver.

NOTE



For information on installing a driver for a Windows NT 4.0 client on a Windows 3.51 server, refer to the Tektronix on-line services. See [If you need help](#) for instructions on using the on-line services.

Click on the following topics for more information:

- [Selecting printer options within an application: Print](#)
- [Selecting printer options within an application: Page Setup](#)
- [Selecting printer options from the Control Panel](#)

Selecting printer options within an application: Print

- 1 Select **Print** from the **File** menu; the **Print** dialog box appears. You can select a different printer and other settings in this dialog box.
- 2 Click on the **Properties** button; the **Printer Document Properties** sheet appears.
- 3 Click the **Advanced** tab to change any printer features, including TekColor. This tab displays the same information as the **Document Defaults Properties Advanced** tab.
- 4 Click the **Page Setup** tab to see other features. This tab displays the same information as the **Documents Defaults Properties Page Setup** tab.

NOTE



Changes to any of these settings override the **Default Printer Properties** settings in the **Printers** folder.

Selecting printer options within an application: Page Setup

NOTE



If changing the Printer Driver settings through Page Setup causes problems with the application you are using, then change the Printer Driver settings through **Print** under the **File** menu, described in the next topic.

- 1 Select **Page Setup** from the **File** menu; the **Page Setup** dialog box appears.
- 2 Select **Paper Size** and **Source**.

NOTE



Selecting **Printer Folder Setting** as the **Paper Source** uses the default setting made under **Document Defaults** in the **Printers** folder. To change this setting, select a different **Source** in **Page Setup**.

- 3 Click on the **Printer** button; another **Page Setup** dialog box appears. You can select a different printer here.
- 4 Click on the **Properties** button; the **Printer Document Properties** sheet appears.

- 5 Click the **Advanced** tab to change any printer features, including TekColor. This tab displays the same information as the **Document Defaults Properties Advanced** tab.
- 6 Click the **Page Setup** tab to see other features. This tab displays the same information as the **Document Default Properties Page Setup** tab.

N O T E

Changes to any of these settings overrides the **Defaults Printer Properties** settings in the **Printers** folder.

Selecting printer options from the Control Panel

To view a printer's **Default Document Properties**,

- 1 Open the *Printers* folder.
- 2 With the right mouse button, click on the printer's icon.
- 3 With the left mouse button, click on **Document Defaults**.
- 4 Click the **Advanced** tab to change any printer features, including TekColor.
- 5 Click the **Page Setup** tab to see other features.

Document properties set from an application always override document defaults set in the printer's Properties sheets. However, if an application does not set a document property (such as page orientation or paper size), the printer defaults to the document properties set in the printer's Document Properties sheets.

Printing from a Macintosh

To print from a Macintosh, you need a printer driver. Installing one of the supported drivers allows you to select printing features right from your computer. Without a supported driver, you can make some printing selections from the printer's front panel.

Using Macintosh printer drivers

To select printer-specific features, print from one of the following provided drivers. See [Print features quick reference: Macintosh printer drivers](#) for a list reference tables listing the printing features, and how to find them quickly, in each of these drivers.

Phaser 600 driver	see Using the Phaser 600 driver
Adobe PSPrinter driver	see Using the Adobe PSPrinter driver
Phaser 600 GX driver	see Using the Phaser 600 GX driver
Apple LaserWriter 8.x driver	see Using the Apple LaserWriter 8.x driver

Using the printer's front panel

Refer to [Using the Front Panel](#) for instructions on using the printer's front panel.

Print features quick reference: Macintosh printer drivers

Click on the following topics for individual print feature tables for each driver:

- [Macintosh Driver: Tektronix Phaser 600](#)
- [Macintosh Driver: Adobe PSPrinter and Apple LaserWriter 8.x](#)
- [Macintosh Driver for QuickDraw GX: Tektronix Phaser 600 GX](#)

Macintosh Driver: Tektronix Phaser 600

Feature	Description	Driver selection
Media size <ul style="list-style-type: none"> ■ ANSI A, B, C, D, E ■ ISO A4, A3, A2, A1, A0 ■ JIS B1, B2, B3, B4 ■ Arch. A, B, C, D, E ■ 30 x 42 in. ■ Custom sizes 	Selecting media by size	Page Setup ➔ Paper (Custom sizes not available.)
Media source <ul style="list-style-type: none"> ■ Manual Feed ■ Roll Feed 	Selecting media by size	Print ➔ Paper Source
Print-quality modes <ul style="list-style-type: none"> ■ Standard ■ Enhanced 	Print quality modes	Print ➔ TekColor Options ➔ Print Quality

Macintosh Driver: Tektronix Phaser 600

Feature	Description	Driver selection
Color correction	Color corrections	Print
<ul style="list-style-type: none"> ■ None (default) ■ Vivid Color ■ Simulate Display ■ SWOP Press ■ Euroscale Press ■ Commercial Press ■ SNAP Press ■ Monochrome ■ Use Printer Setting ■ Custom Profile 		<ul style="list-style-type: none"> ➤ TekColor Options <ul style="list-style-type: none"> ➤ Color Correction
Fusing Mode	Fusing Mode / Media Fusing	Print
<ul style="list-style-type: none"> ■ Cold ■ Hot ■ None 		<ul style="list-style-type: none"> ➤ TekColor Options <ul style="list-style-type: none"> ➤ Fusing Mode
Cut Media	Cut Media	Print
<ul style="list-style-type: none"> ■ Never ■ After each page ■ After each job 		<ul style="list-style-type: none"> ➤ TekColor Options <ul style="list-style-type: none"> ➤ Cut Media

Macintosh Driver: Tektronix Phaser 600

Feature	Description	Driver selection
Advance Media <ul style="list-style-type: none"> ■ Never ■ After each page ■ After each job ■ Allow Hot Fusing 	Advance Media	Print <ul style="list-style-type: none"> ➤ TekColor Options <ul style="list-style-type: none"> ➤ Advance Media
Print Preview <ul style="list-style-type: none"> ■ On ■ Off (Available only with the Extended Features option.)	Print Preview	Print <ul style="list-style-type: none"> ➤ TekColor Options <ul style="list-style-type: none"> ➤ Print Preview
Page Rotation <ul style="list-style-type: none"> ■ 0 degrees ■ 90 degrees ■ 180 degrees ■ 270 degrees 	Page Rotation	Print <ul style="list-style-type: none"> ➤ TekColor Options <ul style="list-style-type: none"> ➤ Page Rotation
Page Centering <ul style="list-style-type: none"> ■ On ■ Off 	Page Centering	Print <ul style="list-style-type: none"> ➤ TekColor Options <ul style="list-style-type: none"> ➤ Page Centering

Macintosh Driver: Tektronix Phaser 600

Feature	Description	Driver selection
Image Smoothing	Image Smoothing	Print
<ul style="list-style-type: none"> ■ On ■ Off 		<ul style="list-style-type: none"> ➤ TekColor Options ➤ Image Smoothing
Color Control Strip	Color Control Strip	Print
<ul style="list-style-type: none"> ■ On ■ Off 		<ul style="list-style-type: none"> ➤ TekColor Options ➤ Color Control Strip
Mirror Print	Mirror Print	Page Setup
<ul style="list-style-type: none"> ■ On ■ Off 		<ul style="list-style-type: none"> ➤ Options ➤ Flip Horizontal/Vertical

Macintosh Driver: Adobe PSPrinter and Apple LaserWriter 8.x

Feature	Description	Driver selection
Media size <ul style="list-style-type: none"> ■ ANSI A, B, C, D, E ■ ISO A4, A3, A2, A1, A0 ■ JIS B1, B2, B3, B4 ■ Arch. A, B, C, D, E ■ 30 x 42 in. ■ Custom sizes 	Selecting media by size	Page Setup ➔ Paper
Media source <ul style="list-style-type: none"> ■ Manual Feed ■ Roll Feed 	Selecting media by size	Print ➔ Paper Source
Print-quality modes <ul style="list-style-type: none"> ■ Standard ■ Enhanced 	Print quality modes	Print ➔ Print Options ➔ Print Quality

Macintosh Driver: Adobe PSPrinter and Apple LaserWriter 8.x (cont'd.)

Feature	Description	Driver selection
Color correction	Color corrections	Print
<ul style="list-style-type: none"> ■ None (default) ■ Vivid Color ■ Simulate Display ■ SWOP Press ■ Euroscale Press ■ Commercial Press ■ SNAP Press ■ Monochrome ■ Use Printer Setting ■ Custom Profile 		<ul style="list-style-type: none"> ➤ Print Options <ul style="list-style-type: none"> ➤ Color Correction
Fusing Mode	Fusing Mode / Media Fusing	Print
<ul style="list-style-type: none"> ■ Cold ■ Hot ■ None 		<ul style="list-style-type: none"> ➤ Print Options <ul style="list-style-type: none"> ➤ Fusing Mode
Cut Media	Cut Media	Print
<ul style="list-style-type: none"> ■ Never ■ After each page ■ After each job 		<ul style="list-style-type: none"> ➤ Print Options <ul style="list-style-type: none"> ➤ Cut Media

Macintosh Driver: Adobe PSPrinter and Apple LaserWriter 8.x (cont'd.)

Feature	Description	Driver selection
Advance Media <ul style="list-style-type: none"> ■ Never ■ After each page ■ After each job ■ Allow Hot Fusing 	Advance Media	Print <ul style="list-style-type: none"> ➤ Print Options <ul style="list-style-type: none"> ➤ Advance Media
Print Preview <ul style="list-style-type: none"> ■ On ■ Off (Available only with the Extended Features option.)	Print Preview	Print <ul style="list-style-type: none"> ➤ Print Options <ul style="list-style-type: none"> ➤ Print Preview
Page Rotation <ul style="list-style-type: none"> ■ 0 degrees ■ 90 degrees ■ 180 degrees ■ 270 degrees 	Page Rotation	Print <ul style="list-style-type: none"> ➤ Print Options <ul style="list-style-type: none"> ➤ Page Rotation
Page Centering <ul style="list-style-type: none"> ■ On ■ Off 	Page Centering	Print <ul style="list-style-type: none"> ➤ Print Options <ul style="list-style-type: none"> ➤ Page Centering

Macintosh Driver: Adobe PSPrinter and Apple LaserWriter 8.x (cont'd.)

Feature	Description	Driver selection
Image Smoothing	Image Smoothing	Print
<ul style="list-style-type: none"> ■ On ■ Off 		<ul style="list-style-type: none"> ➤ Print Options ➤ Image Smoothing
Color Control Strip	Color Control Strip	Print
<ul style="list-style-type: none"> ■ On ■ Off 		<ul style="list-style-type: none"> ➤ Print Options ➤ Color Control Strip
Mirror Print	Mirror Print	Page Setup
<ul style="list-style-type: none"> ■ On ■ Off 		<ul style="list-style-type: none"> ➤ Options ➤ Flip Horizontal/Vertical

Macintosh Driver for QuickDraw GX: Tektronix Phaser 600 GX

Feature	Description	Driver selection
Media size <ul style="list-style-type: none"> ■ ANSI A, B, C, D, E ■ ISO A4, A3, A2, A1, A0 ■ JIS B1, B2, B3, B4 ■ Arch. A, B, C, D, E ■ 30 x 42 in. ■ Custom sizes 	Selecting media by size	Page Setup ↪ Paper Size
Media source <ul style="list-style-type: none"> ■ Manual Feed ■ Roll Feed 	Selecting media by size	Print ↪ Paper Feed
Print-quality modes <ul style="list-style-type: none"> ■ Standard ■ Enhanced 	Print quality modes	Printing menu ↪ Printer Driver Defaults ↪ Print Quality

Macintosh Driver for QuickDraw GX: Tektronix Phaser 600 GX (cont'd.)

Feature	Description	Driver selection
Color correction	Color corrections	Printing menu
<ul style="list-style-type: none"> ■ None (default) ■ Vivid Color ■ Simulate Display ■ SWOP Press ■ Euroscale Press ■ Commercial Press ■ SNAP Press ■ Monochrome ■ Use Printer Setting ■ Custom Profile 		<ul style="list-style-type: none"> ➤ Printer Driver Defaults <li style="padding-left: 20px;">➤ Color Correction
Fusing Mode	Fusing Mode / Media Fusing	Printing menu
<ul style="list-style-type: none"> ■ Cold ■ Hot ■ None 		<ul style="list-style-type: none"> ➤ Printer Driver Defaults <li style="padding-left: 20px;">➤ Fusing Mode
Cut Media	Cut Media	Printing menu
<ul style="list-style-type: none"> ■ Never ■ After each page ■ After each job 		<ul style="list-style-type: none"> ➤ Printer Driver Defaults <li style="padding-left: 20px;">➤ Cut Media

Macintosh Driver for QuickDraw GX: Tektronix Phaser 600 GX (cont'd.)

Feature	Description	Driver selection
Advance Media <ul style="list-style-type: none"> ■ Never ■ After each page ■ After each job ■ Allow Hot Fusing 	Advance Media	Printing menu <ul style="list-style-type: none"> ➤ Printer Driver Defaults <ul style="list-style-type: none"> ➤ Advance Media
Print Preview <ul style="list-style-type: none"> ■ On ■ Off (Available only with the Extended Features option.)	Print Preview	Printing menu <ul style="list-style-type: none"> ➤ Printer Driver Defaults <ul style="list-style-type: none"> ➤ Print Preview
Page Rotation <ul style="list-style-type: none"> ■ 0 degrees ■ 90 degrees ■ 180 degrees ■ 270 degrees 	Page Rotation	Printing menu <ul style="list-style-type: none"> ➤ Printer Driver Defaults <ul style="list-style-type: none"> ➤ Page Rotation
Page Centering <ul style="list-style-type: none"> ■ On ■ Off 	Page Centering	Printing menu <ul style="list-style-type: none"> ➤ Printer Driver Defaults <ul style="list-style-type: none"> ➤ Page Centering

Macintosh Driver for QuickDraw GX: Tektronix Phaser 600 GX (cont'd.)

Feature	Description	Driver selection
Image Smoothing	Image Smoothing	Printing menu
<ul style="list-style-type: none"> ■ On ■ Off 		<ul style="list-style-type: none"> ➤ Printer Driver Defaults ➤ Image Smoothing
Color Control Strip	Color Control Strip	Printing menu
<ul style="list-style-type: none"> ■ On ■ Off 		<ul style="list-style-type: none"> ➤ Printer Driver Defaults ➤ Color Control Strip
Mirror Print	Mirror Print	Printing menu
<ul style="list-style-type: none"> ■ On ■ Off 		<ul style="list-style-type: none"> ➤ Printer Driver Defaults ➤ Mirror Print

Using the Phaser 600 driver

- From the **File** menu, open the **Page Setup** dialog box. Use the **Paper** pop-up menu to select the printer's supported paper sizes.
- From the **File** menu, open the **Print** dialog box. Select **Manual Feed** in the **Paper Source** field for cut-sheet media.
- Click the **TekColor** button in the **Print** dialog box to see the **TekColor Options** dialog box. Select printer-specific options as desired.

Using the Adobe PSPrinter driver

NOTE



Refer to the on-line user guide on the printer's CD-ROM for more information on using the Adobe PSPrinter driver.

- From the **File** menu, open the **Page Setup** dialog box. Use the **Paper** pop-up menu to select the printer's supported paper sizes.
- From the **File** menu, open the **Print** dialog box. Select **Manual Feed** in the **Paper Source** field for cut-sheet media.
- In the **Print** dialog box, click the **Options** button to see the **Print Options** dialog box. There are printer-specific features listed at the bottom of the dialog box.

Using the Apple LaserWriter 8.x driver

- From the **File** menu, open the **Page Setup** dialog box. Use the **Paper** pop-up menu to select the printer's supported paper sizes.
- From the **File** menu, open the **Print** dialog box. Select **Manual Feed** in the **Paper Source** field for cut-sheet media.
- In the **Print** dialog box, click the **Options** button to see the **Print Options** dialog box. There are printer-specific features listed at bottom of the dialog box.

Using the Phaser 600 GX driver

NOTE



Refer to [Using the Phaser 600 GX Driver](#) for details on using the Phaser 600 GX driver.

Printing with a desktop printer

- If you are using QuickDraw GX applications, do *one* of the following:
 - Select any desktop printer in the **Print** dialog box.
 - Drag a document onto a desktop printer icon. The application corresponding to the document opens, prints the document, and then quits.

- If you are using non-QuickDraw GX applications, do *one* of the following:
 - Print to the *default* desktop printer with the **Print** command from the **File** menu.
 - Drag a document onto a desktop printer icon. The application corresponding to the document opens, displays the **Print** dialog box, and waits for you to click **Print**. After printing the document, the application quits.

Selecting printing options

Most of the commands in the **Printing** menu are standard QuickDraw GX driver commands, and are documented by Apple (see the *Macintosh Guide* on-line document for details). The last group of commands in this menu are printer-specific.

Use the **Printer Driver Defaults** command in the **Printing** menu to set default options for the selected desktop printer.

NOTE



The printer defaults dialog box is also available through the **Print** command in the **File** menu for QuickDraw GX applications.

Printing from a workstation

Overview

You can print from a UNIX or VMS workstation through Ethernet, Token Ring, parallel, or serial interfaces. Workstation users can print from any application that generates color PostScript.

For instructions and examples on creating print queues for your specific platform, see the Tektronix World Wide Web site:

`http://www.tek.com/Color_Printers`

Or, you can contact Technical Support at **1-800-835-6100**.

To use the TekColor color corrections and other printer features, use one of the following methods:

- [UNIX workstations](#): PhaserPrint™ software for UNIX workstations functions like a printer driver for selecting printing options, and provides fast screen copy printing.
- [VMS workstations](#): PhaserSym™ software and EasyCopy/X for VMS workstations provides proper communication with the printer.
- The menus on the printer's front panel let you select printing options; refer to [Using the Front Panel](#) for instructions on using the front panel.
- Downloadable utility files let you select printing options; refer to [Using Printer Utilities](#) for instructions.
- [For more information](#): Lists locations of optional information.

UNIX workstations

For UNIX environments, Tektronix offers the optional PhaserPrint™ software. PhaserPrint for UNIX software offers driver-selectable printer options and provides fast, raster file and screen copy printing to Tektronix color printers.

PhaserPrint for UNIX software is available for these workstations:

Workstation	Operating System
Sun	SunOS 4.1.3, Solaris 2.3, 2.4
SGI	IRIX 4.0, 5.2, 5.3
HP 9000 700/800	HPUX 9.0.5
IBM RS/6000	AIX 3.2
DECstation	Ultrix 4.0, 4.4
DEC Alpha	OSF/1 3.0 and 3.2

PhaserPrint for UNIX software works with the workstation's native spooling system to print PostScript files and raster files in these formats: Sun Raster Format (SRF), **xwd**, SGI RGB, and many others.

The printer's CD-ROM contains a demonstration copy of PhaserPrint for UNIX software and an on-line instruction guide in the *UNIXDEMO* directory. If you would like to purchase a licensed version of PhaserPrint software, contact your dealer, local Tektronix office, or in the United States, call **1-800-835-6100**.

VMS workstations

To print from VMS workstations, the optional PhaserSym™ utility, a VMS print symbiont, functions as a driver for selecting printing options, and as a queue manager. PhaserSym software is compatible with DEC workstations running VAX/VMS version 5.0 and later. PhaserSym software communicates over the printer's optional TCP/IP Ethernet interface, and is required for proper communication with the printer.

The optional EasyCopy/X software provides fast raster image printing to Tektronix printers.

For more information

- **World Wide Web:** If you have access to the Internet, you can view selected topics on the Phaser 600 printer's web page. Access the printer's documentation from this web address:

`http://www.tek.com/Color_Printers/userdoc/introduction.html`

- **HAL:** Request a document catalog from HAL or EuroHAL, Tektronix' automated fax systems. Refer to [Using the automated fax systems](#) for instructions on using HAL and EuroHAL.

Printing from specific applications

For printing from most applications, follow the instructions in [Software installation](#) to install drivers and printer software. Some applications require additional configuration or page description files, which may have been installed with the driver.

General hints and tips

For printing hints and tips beyond the information provided in the application's manuals, look for additional information in the following places:

- **World Wide Web:** If you have access to the Internet, you can view selected topics on the Phaser 600 printer's web page. Access the printer's documentation from this web address:

`http://www.tek.com/Color_Printers/userdoc/introduction.html`

- **HAL:** Request a document catalog from HAL or EuroHAL, Tektronix' automated fax systems. Refer to [Using the automated fax systems](#) for instructions on using HAL and EuroHAL.

Selecting print features

Click on the following topics for more information:

- [Methods of selection](#)
- **Quick reference tables:**
 - [Print features quick reference: front panel](#)
 - [Printing from a PC](#)
 - [Printing from a Macintosh](#)
- [Print quality modes](#)
- [Color corrections](#)

Methods of selection

This printer provides several ways to select print features:

- **Through a supported printer driver (recommended)**
Use these selections to override the settings on the printer's front panel.
- **From the printer's front panel**
Use these settings *only* when printing from a non-supported driver.
- **Using PhaserLink software**
If your network is running TCP/IP and you have a World Wide Web browser, you can use this browser to view printer status and select printer features. Refer to the *PhaserShare Status Software User Manual* for complete information.
- **Sending a PostScript utility file to the printer**
Use these settings *only* when printing from a non-supported driver. You can find detailed information in [Using Printer Utilities](#) and the Phaser 600 printer's web page:

`http://www.tek.com/Color_Printers/userdoc/introduction.html`

Print features quick reference: front panel

Feature	Feature descriptions	Front Panel
Print-quality modes <ul style="list-style-type: none"> ■ Standard * ■ Enhanced 	See Print quality modes	Printer Defaults Menu → Print Quality Menu
Color correction <ul style="list-style-type: none"> ■ None* ■ Vivid Color ■ Display ■ SWOP Press ■ Euroscale Press ■ Commercial Press ■ SNAP ■ Monochrome 	See Color corrections	Printer Defaults Menu → TekColor Correction Menu
Media size <ul style="list-style-type: none"> ■ ANSI B*, C, D, E ■ ISO A3, A2, A1, A0 ■ JIS B1, B2, B3, B4 ■ Architectural B, C, D, E ■ 30 x 42 in. 	See Selecting media by size	Media Defaults Menu → Media Size Menu

* Factory default setting

** Available only with the Extended Features option.

Print features quick reference: front panel (cont'd.)

Feature	Feature descriptions	Front Panel
Media Fusing <ul style="list-style-type: none"> ■ Cold * ■ Hot ■ None 	See Fusing Mode / Media Fusing	Media Defaults Menu → Media Fuse Menu
Media Cutting <ul style="list-style-type: none"> ■ Per page * ■ Per job ■ Off 	See Cut Media	Media Defaults Menu → Media Cut Menu
Reprint** <ul style="list-style-type: none"> ■ Scale ■ Copies 	Reprint	Pause Menu → Reprint
Image Smoothing <ul style="list-style-type: none"> ■ On ■ Off * 	See Image Smoothing	Printer Defaults Menu → Image Smoothing Menu
PS Error Handler	See Using a PostScript error handler	Printer Defaults Menu → PS Error Handler Menu

* Factory default setting

** Available only with the Extended Features option.

Print quality modes

Using the front panel, the printer drivers provided with your printer, or PhaserLink software, you can select from these print quality modes:

Standard The default print-quality setting for full-color, full-coverage printing on paper produces the fastest full-color printing on paper: printing time is 12 minutes per page for ANSI E-size (34 x 44 in.), and its Metric equivalent.

Enhanced Printing time is 24 minutes per page for ANSI E-size (34 x 44 in. and its Metric equivalent) in full-color, full-coverage; provides smoother images with less banding.

Color corrections

The printer provides TekColor Dynamic Correction software, which consists of the following color correction modes. Refer to [Color corrections — making the best selection](#) for details.

Color correction mode		Description
Front panel selection	Driver selection	
None	None	Default setting. No correction made to colors.
Vivid Color	Vivid Color	Produces the brightest possible colors.
Display	Simulate Display	Adjusts color to closely approximate the colors on a standard display screen.
SWOP	SWOP Press	Specification for Web Offset Publications. Typically used to match U.S. press standards.
Euroscale	Euroscale Press	Used to match equivalent 3M Matchprint® proofs.
Commercial	Commercial Press	Used to match commercial 3M Matchprint® proofs.
SNAP	SNAP Press	Used for images designed to be printed on newsprint.
Monochrome	Monochrome	Prints a color image as a monochrome gray scale. Outputs color page masters in black-and-white for photocopying.
n/a	Use Printer Setting	Uses the color correction mode specified in the printer's front panel setting rather than any printer driver setting.

The press color corrections (SWOP, Euroscale, Commercial, and SNAP) can be customized with the PhaserMatch software that is included with the printer. For an overview of the PhaserMatch software, refer to [PhaserMatch](#). For detailed information and instructions, refer to the *PhaserMatch User Manual* that was shipped with the printer.

You can view an approximate sample output of some color corrections at the bottom of the printer's startup page. Refer to [Printing the startup page](#) for more information.

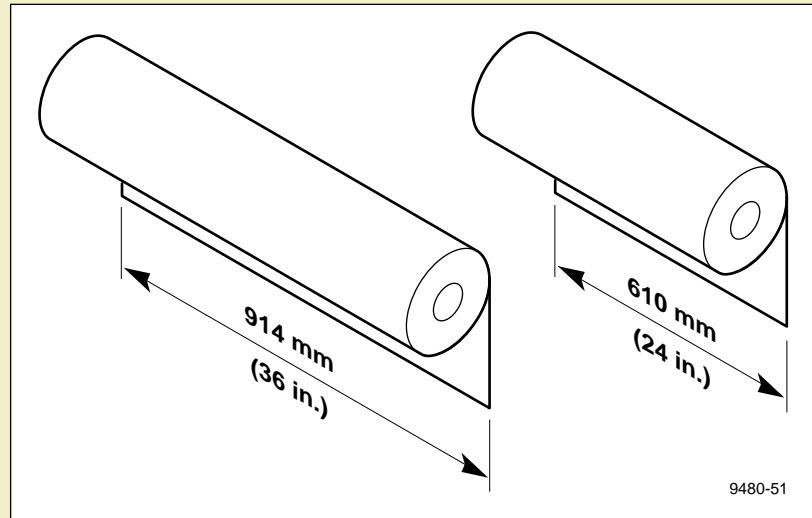
N O T E

If your printer is networked and you have changed the front panel settings, make sure that you tell other users on the network. Printer settings affect **all** prints made with non-supported drivers.

All about media

Selecting media by size

You can select media by size through the printer drivers or from the front panel. This printer is capable of printing on cut-sheet media in several sizes (refer to the table on the [Page size, print area, and margins](#)), as well as media rolls ranging in width from 175 to 914 mm (7 in. to 36 in.).



Tektronix offers paper rolls with the widths shown in the illustration.

NOTE



The Tektronix media rolls have a three-inch core. If you are using a media roll with a two-inch core, you must remove the adapter on the paper roll holder. Refer to [Using a 2-inch core media roll: removing the core adapter](#) for instructions.

Margins and print area

When the printer places an image on media, the maximum image area (print area) is a bit smaller than the physical media size; you may need to adjust the page margins in your application software to match the print area.

NOTE



If you rotate an image, remember that the margins remain the same, relative to the leading and trailing edges; if an unrotated image is placed against the trailing edge, it will be clipped when it is rotated, because the leading edge's margin is larger.

NOTE



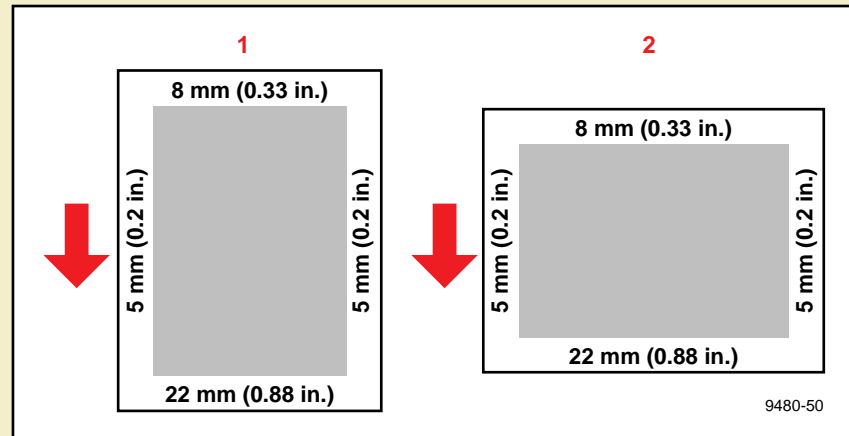
To assure the correct page margins, use the drivers supplied by Tektronix.

Click on the following topics for more information:

- [Cut-sheet media](#)
- [Roll media](#)

Cut-sheet media

The image area is smaller than the page size in width and length. This illustration shows the margins for a cut-sheet as it is loading into and fed through the printer:



Leading edge

Typical use

	Orientation	Rotation
1. Short side (preferred)	Portrait	0° or 180°
2. Long side	Landscape	90° or 270°

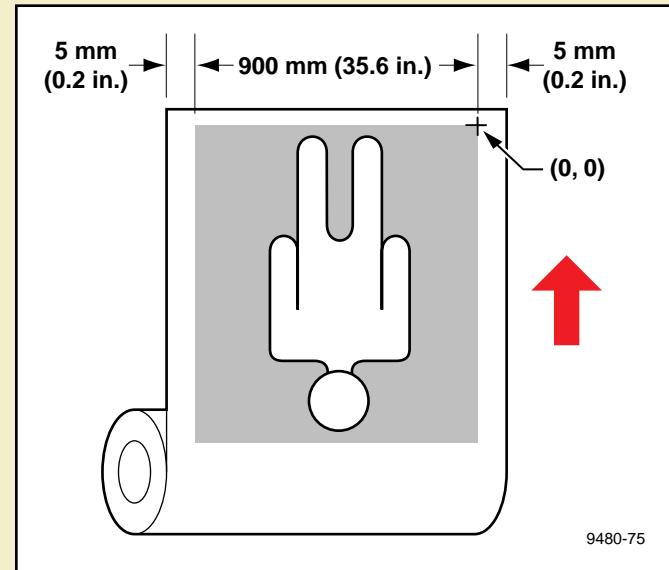
Roll media

The maximum image area is the entire requested page size, up to the limits of the roll width. The image's origin point (0,0) is 5 mm from the media edge. If the requested page size is the same width as the roll, 10 mm of the image will be clipped.

If the media runs out while making a print, the whole page is printed when a new roll is installed.

Any size media roll is fully printable up to the width of the roll, minus the side margins (totalling 10 mm). This illustration shows a 36-inch media roll with the maximum width image.

- **Hint:** If you have files that do not set the page size, set the printer's default media size in the front panel.



Page size, print area, and margins

The Phaser 600 printer, a wide-format printer, is capable of printing on roll media and cut-sheets, on a variety of media sizes:

Cut-sheets	From:	Custom	175 mm x 175 mm	7 x 7 in.
	To:	Arch E	914 x 1219 mm	36 x 48 in.
Roll Media	Width From:		305 mm	12 in.
	To:		914 mm	36 in.

Because the printer has been designed for wide-format printing, you will get the best results when you use cut-sheet media that is *at least* B-size (11 x 17 in., 279 x 432 mm) and media rolls *at least* 420 mm (16.5 in.) in width. Although the drivers allow you to select ANSI A, A4, Arch A, and custom page sizes, you cannot select them as the default in the front panel. You may experience more frequent media skewing or jams with the smaller media sizes.

Click on the following topics for more information:

- [Roll media sizes](#)
- [U.S. Cut-sheet media sizes](#)

Roll media sizes

Media	Size		Print area		Margins		
	Metric	U.S.	Metric	U.S.	Leading	Trailing	Sides
Media Rolls	Width: 305 to 914 mm Diameter: 127 mm (max.)	Width: 12 to 36 in. Diameter: 5 in. (max.)	Maximum image length: 45.7 m	Maximum image length: 150 ft.	0 mm	0 mm	5 mm (.2 in.)

Cut-sheet media sizes

Click on the following topics for more information:

- [Margins](#)
- [U.S. Cut sheet media sizes](#)
- [Metric Cut sheet media sizes](#)

Margins

Margins for U.S. and Metric cut-sheet media

Margins		
Leading	Trailing	Sides
22 mm	8 mm	5 mm
(.9 in.)	(.33 in.)	(.2 in.)

U.S. Cut sheet media sizes

U.S. Cut-sheet media sizes

Media		Size	Print area
U.S. sizes	■ ANSI A*	8.5 x 11 in.	8.11 x 9.82 in.
	■ ANSI B	11 x 17 in.	10.56 x 15.82 in.
	■ ANSI C	17 x 22 in.	16.53 x 20.82 in.
	■ ANSI D	22 x 34 in.	21.55 x 32.82 in.
	■ ANSI E	34 x 44 in.	33.6 x 42.82 in.
ISO metric	■ ISO A4*	8.27 x 11.4 in.	10.56 x 15.82 in.
	■ ISO A3	11.7 x 16.5 in.	11.2 x 15.36 in.
	■ ISO A2	16.5 x 23.4 in.	16.1 x 22.21 in.
	■ ISO A1	23.4 x 33.1 in.	22.9 x 31.9 in.
	■ ISO A0	33.1 x 46.8 in.	32.64 x 45.63 in.
Misc.	■ 30 x 42 in.	30 x 42 in.	29.55 x 40.82 in.

* Sizes not available in the front panel (cannot be selected as the default media size).

U.S. Cut-sheet media sizes (cont'd.)

Media		Size	Print area
JIS metric	■ JIS B4	10.13 x 14.3 in.	9.7 x 13.15 in.
	■ JIS B3	14.3 x 20.28 in.	13.87 x 19.1 in.
	■ JIS B2	20.28 x 28.67 in.	19.8 x 27.49 in.
	■ JIS B1	28.67 x 40.5 in.	28.27 x 39.37 in.
Architectural	■ Arch A*	9 x 12 in.	8.5 x 10.8 in.
	■ Arch B	12.0 x 18.0 in.	11.5 x 16.8 in.
	■ Arch C	18 x 24 in.	17.6 x 22.8 in.
	■ Arch D	24 x 36 in.	23.57 x 34.82 in.
	■ Arch E	36 x 48 in.	35.5 x 46.82 in.

* Sizes not available in the front panel (cannot be selected as the default media size).

Metric Cut sheet media sizes

Metric Cut-sheet media sizes

Media		Size	Print area
U.S. sizes	■ ANSI A*	216 x 279 mm	206 x 249 mm
	■ ANSI B	279 x 432 mm	268.3 x 401 mm
	■ ANSI C	432 x 559 mm	419.95 x 528.8 mm
	■ ANSI D	559 x 864 mm	547.29 x 833.6 mm
	■ ANSI E	864 x 1118 mm	853.4 x 1087.6 mm
ISO metric	■ ISO A4*	210 x 297 mm	268.3 x 401 mm
	■ ISO A3	297 x 420 mm	284.5 x 390 mm
	■ ISO A2	420 x 594 mm	409 x 564 mm
	■ ISO A1	594 x 841 mm	583 x 810.94 mm
	■ ISO A0	841 x 1189 mm	829 x 1158.9 mm
Misc.	■ 30 x 42 in.	762 x 1066 mm	750.5 x 1036.8 mm

* Sizes not available in the front panel (cannot be selected as the default media size).

Metric Cut-sheet media sizes (cont'd.)

Media		Size	Print area
JIS metric	■ JIS B4	257 x 364 mm	246.5 x 334 mm
	■ JIS B3	364 x 515 mm	352.2 x 485.14 mm
	■ JIS B2	515 x 728 mm	504 x 698.2 mm
	■ JIS B1	728 x 1030 mm	718 x 1000 mm
Architectural	■ Arch A*	228.6 x 305 mm	216.5.3 x 274.8mm
	■ Arch B	305 x 457 mm	292.6 x 427.2 mm
	■ Arch C	457 x 610 mm	447 x 579.63 mm
	■ Arch D	610 x 914 mm	598.7 x 884.4 mm
	■ Arch E	914 x 1219 mm	902.2 x 1189.2 mm

* Sizes not available in the front panel (cannot be selected as the default media size).

Media attributes

The printer accommodates a broad array of paper, film, and fabric. Tektronix offers a high-quality line of media optimized for use with the Phaser 600 printer. For ordering information, refer to [Ordering printer supplies](#).

Click on the following topics for information on the types of supported media and the specifications for thickness and stiffness:

- [Media types](#)
- [Media thickness range](#)
- [Media stiffness](#)

Media types

- Smooth White Bond
- Photo Grade Presentation Paper
- Transparent Film
- Premium Backlit/Tracing Paper
- Backlit Display Film
- Repositionable Adhesive Display Vinyl
- Artist's Presentation Canvas

Media thickness range

- .1 to .5 mm (.003 to .020 in.)
- paper: 0.003 to 0.020 inches
- films: 0.0025 to 0.020 inches
- fabrics: 0.010 to 0.030 inches

Media stiffness

- Must be capable of wrapping around a 119 mm- (4.7 in.-) diameter drum without buckling, wrinkling, or other visible damage

Image orientation

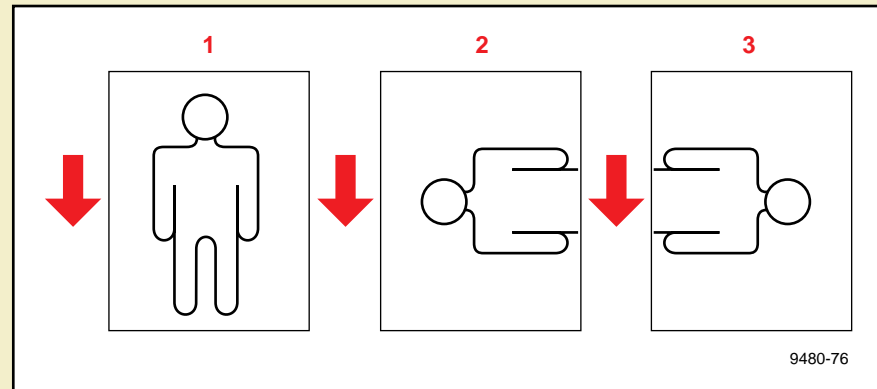
NOTE



Image orientation refers only to how the image appears on the media relative to the media's long or short edge. It does not refer to how the media is loaded into or fed through the printer.

Image orientation refers to how the image appears on a print. You specify the image orientation through your software application or printer driver.

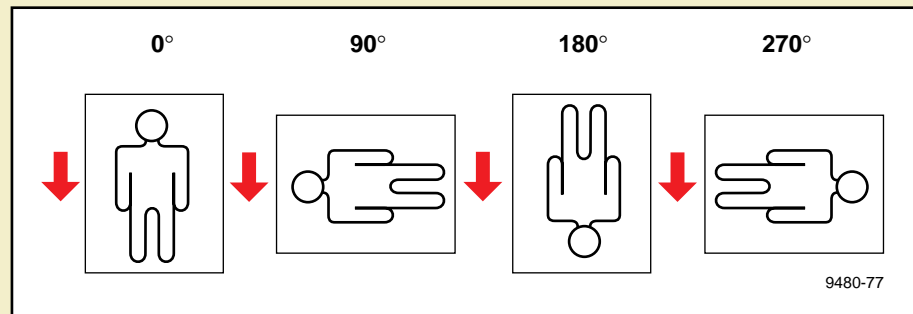
- 1 Portrait:** Top of the image aligns with the media's short edge.
- 2 Landscape:** Top of the image aligns with media's long edge.
- 3 Rotated Landscape:** Top of the image aligns with media's long edge.



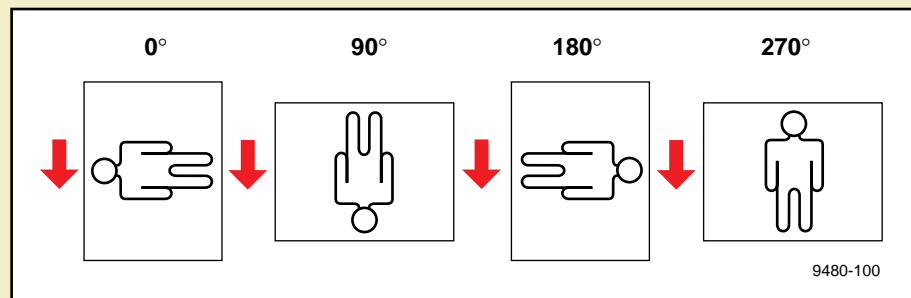
Page Rotation

The **Page Rotation** option, selectable in the printer driver, changes the way that the image is marked on the paper. In this illustration, the arrow indicates the feed direction and leading edge.

Portrait orientation



Landscape orientation



Hints

- Using 90° or 270° rotation with smaller page sizes on larger roll media uses less media. For instance, an ANSI B (11 x 17 in.) image uses 6 inches less media when it is rotated 90° or 270°.
- Cut-sheet media can be fed with the long edge first, with rotation set to 90° or 270°; however, do not use **Page Centering** or much of your image will not print.

Manual Feed: using cut-sheet media

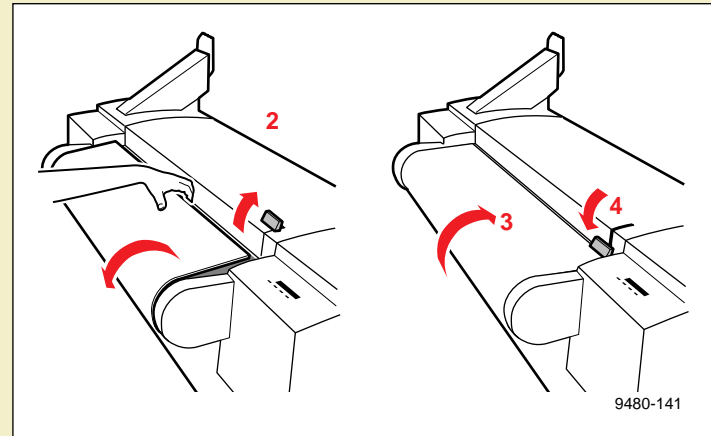
- 1** You can select **Manual Feed** in the printer driver. You can also feed the cut-sheet media as it is needed, without selecting **Manual Feed** in the driver.
- 2** Unload any roll media by lifting the latch on the top cover. Open the paper roll cover to rewind the media completely onto the roll.

NOTE

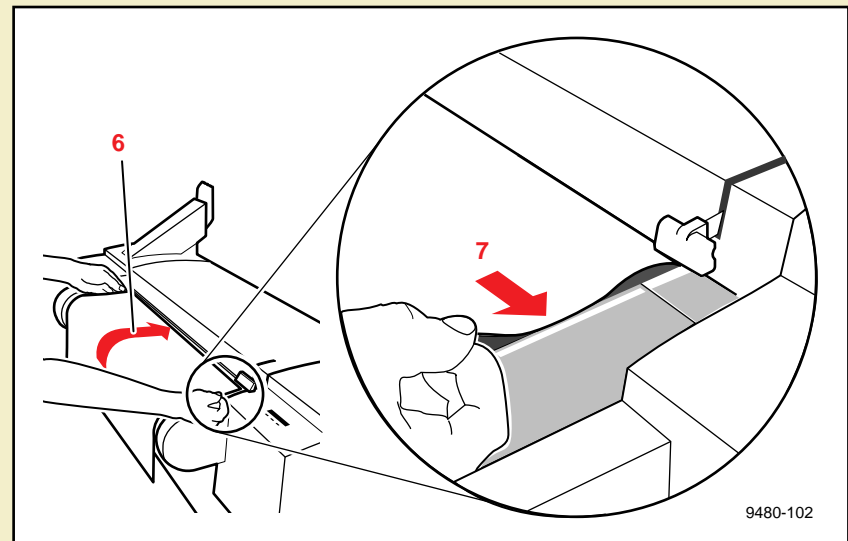


If the printer senses that roll media is installed (it looks to see if any media is covering a sensor located under the paper roll cover), it may not print the correct image area.

- 3 Close the paper roll cover.
- 4 Lower the top cover latch.
- 5 Orient the media so that the print side is facing *up*.
- 6 To avoid fingerprints and smears, hold the media by its outer edges and feed it over the top of the *closed* paper roll cover.



- 7 Align the media's right-hand edge with the guide line on the printer. Insert the media until it stops, plus a little more to make it buckle slightly. This ensures an even pressure and reduces the chance of media skewing. The printer picks the media in approximately one second.



The front panel displays this message after it has processed a job:

NOTE



On a network where the printer is usually using roll media, select **Manual Feed** in the driver, wait for the front panel to display this message, then unload the roll media and load the cut-sheet. If cut-sheet media is usual or if the printer is connected to a single computer, you can load the cut-sheet media at any time after the roll media is unloaded.

- 8 Press the front panel's **Continue** button; the printhead begins printing. Wait until the printer ejects the first sheet before inserting another sheet.

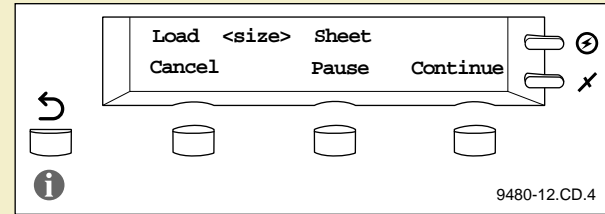


Image manipulation

This printer provides several special options for image manipulation. Some of these options are selected in the drivers; some from the front panel. For a detailed description of these features, refer to [Printing: Beyond the Basics](#).

Printing options

Option	Detailed information	Description	Default setting
Print Preview	See Print Preview .	<ul style="list-style-type: none"> ■ Prints a thumbnail in selected orientation, spaced according to current margin settings. ■ Outline indicates the image area. ■ Available only with the Extended Features option. 	Off
Fusing Mode	See Fusing Mode / Media Fusing .	<ul style="list-style-type: none"> ■ Fuses the ink to media: cold or hot; also allows you to skip the fusing operation, which may be desirable for some media types. 	Cold
Cut Media	See Cut Media .	<ul style="list-style-type: none"> ■ Automatically cuts media after each job, after each page, or never. 	After each page

Printing options (cont'd.)

Option	Detailed information	Description	Default setting
Reprint	See Reprint .	<ul style="list-style-type: none"> ■ Prints the last PostScript image as many times as the user indicates on the front panel. ■ Scales the printed image: enlarge, reduce, and scale-to-fit media ■ Available only with the Extended Features option. 	Off
Advance Media	See Advance Media .	<ul style="list-style-type: none"> ■ Advances media after each job, after each page, or never. 	Never
Mirror Print	See Mirror Print .	<ul style="list-style-type: none"> ■ Inverts an image left-to-right. 	Off
Page Centering	See Page Centering .	<ul style="list-style-type: none"> ■ Centers a printed image on the media. 	On
Page Rotation	See Page Rotation .	<ul style="list-style-type: none"> ■ Rotates the image 0° (none), 90°, 180°, or 270°. 	0° (none)
Image Smoothing	See Image Smoothing .	<ul style="list-style-type: none"> ■ Blends adjacent colors so that color transitions are less noticeable. 	Off

Printer languages: PostScript, HP-GL

The printer supports PostScript Level 1 and Level 2, and HP-GL (Hewlett-Packard Graphics Language) printer languages. The default language for the parallel port is PostScript. For information on default language for other interface ports, refer to the *PhaserShare Network Cards and Software System Administrator Manual*.

If you want to print HP-GL files on a port set to PostScript, you must set up that printer port for that type of data or enable Adobe IntelliSelect™ automatic language selection. Refer to [Using Different Printer Language Modes](#) or Tektronix' World Wide Web site for instructions.

If automatic language selection is enabled, you can send PostScript and HP-GL files (when enabled) to the printer and the printer automatically detects the type of file and prints it. You can change the default language so that the next time you turn on the printer, it is set to receive PostScript or HP-GL data on a specific port.

The printer has default values for the HP-GL parameters, such as pen color and pen width. However, you can change these values. Refer to [Setting default HP-GL pen colors](#) or Tektronix' World Wide Web site for instructions.

Fonts

NOTE



For general information on fonts, request a document catalog from HAL or EuroHAL, the Tektronix automated fax systems. Refer to [If you need help](#) for information on using these systems.

Click on the following topics for more information about fonts:

- [Resident typefaces \(PostScript\)](#)
- [Printer's Extended Features option](#)
- [Downloading fonts](#)
- [Macintosh screen fonts](#)
- [Using fonts with Windows](#)
- [Printing font samplers](#)

Resident typefaces (PostScript)

The printer accepts Adobe Type 1 and Type 3 downloadable fonts, TrueType fonts, and a variety of user-defined fonts. To extend font capability, the printer provides an internal 1-Gbyte hard disk and supports a SCSI-connected external hard disk for permanent storage of additional fonts. Refer to [Using SCSI Hard Disks](#) or World Wide Web for more information.

The printer printer standard configuration is shipped with a set of 17 resident fonts.

Courier
Courier Bold
Courier Oblique
Courier Bold Oblique

Helvetica
Helvetica Bold
Helvetica Oblique
Helvetica Bold Oblique

Helvetica Narrow
Helvetica Narrow Bold
Helvetica Narrow Oblique
Helvetica Narrow Bold Oblique

Times Roman
Times Bold
Times Italic
Times Bold Italic

Symbol (Σ ψ μ β ο λ)

9480-59

Printer's Extended Features option

If you have the printer's Extended Features option, 22 additional fonts are included on the printer's CD-ROM. Refer to [Extended Features upgrade](#) for more information.

The following fonts are optionally available with the Extended Features option:

ITC Avant Garde Gothic Book	Helvetica Narrow
<i>ITC Avant Garde Gothic Book Oblique</i>	Helvetica Narrow Bold
ITC Avant Garde Gothic Demi	<i>Helvetica Narrow Oblique</i>
<i>ITC Avant Garde Gothic Demi Oblique</i>	Helvetica Narrow Bold Oblique
ITC Bookman Light	New Century Schoolbook
<i>ITC Bookman Light Italic</i>	New Century Schoolbook Bold
ITC Bookman Demi	<i>New Century Schoolbook Italic</i>
ITC Bookman Demi Italic	New Century Schoolbook Bold Italic
Courier	Palatino
Courier Bold	<i>Palatino Italic</i>
<i>Courier Oblique</i>	Palatino Bold
<i>Courier Bold Oblique</i>	Palatino Bold Italic
Helvetica	Times Roman
Helvetica Bold	Times Bold
<i>Helvetica Oblique</i>	<i>Times Italic</i>
<i>Helvetica Bold Oblique</i>	Times Bold Italic
Helvetica Condensed	<i>ITC Zapf Chancery</i>
Helvetica Condensed Bold	ITC Zapf Dingbats (☆ * ❖ ❁ ❂ ❃ ❄)
<i>Helvetica Condensed Oblique</i>	Symbol (Σ ψ μ β ο λ)
<i>Helvetica Condensed Bold Oblique</i>	

9480-60

Downloading fonts

The fonts resident in the printer are stored in the printer as outlines and are always available for printing. The PostScript interpreter in the printer can also accept and store additional fonts known as downloadable fonts. If you want to print PostScript outline fonts that are not built into the printer, you can transfer or download outline fonts from your computer to the printer. Downloading fonts saves print time if you plan to print several documents or a large document using those fonts.

When you download a font, it is stored in the printer's memory, or on the printer's 1 Gbyte internal SCSI hard drive, or on an optional SCSI hard disk attached to the printer. Refer to [Using SCSI Hard Disks](#) for more information on using an external SCSI disk for font storage. You can download as many outline fonts as the printer's memory or hard disk allow. Adding more printer memory expands the number of fonts that can be downloaded to the printer.

The printer accepts Type 1 and Type 3 downloadable fonts including those from Adobe, Agfa, Bitstream, Microsoft, Apple, and many others.

The printer also accepts TrueType downloadable fonts which can be scaled to any point size. TrueType fonts look the same on the screen as they do when printed.

You download a font from a PC or Macintosh the same way you download fonts to any PostScript printer. Follow the documentation that was shipped with your fonts.

Macintosh screen fonts

NOTE



If you already have these fonts installed on your computer, you don't need to install them again.

The printer's diskettes and CD-ROM contain Phaser Screen Fonts for the printer. You need to install the screen fonts on your computer if you want to see the printer's standard resident typefaces on the Macintosh screen. If you select a font the printer doesn't have, the Macintosh creates a representative font for printing.

- 1 Use either the Phaser 600 printer's diskettes or CD-ROM.
 - **Floppy diskettes:** Insert the Printer Software for Macintosh diskette into your computer's disk drive.
 - **CD-ROM:** Insert the Phaser 600 printer's CD-ROM into your computer's CD-ROM drive.
- 2 Double-click the **Phaser 600 Installer** icon. Click **Continue** until the **Easy Install** window appears.

- 3 To automatically install the printer's screen fonts and other printer software, click **Install** in the **Easy Install** window.

Or, select **Custom Install** from the pull-down menu (available with the installer on the CD-ROM only). Then select the **Screen Fonts** item, and click **Install**.

Fonts are installed in the *Fonts* folder inside your *System Folder*.

- 4 Select the printer font you want to use within an application and see the same font on the screen.

Using fonts with Windows

Before printing, you need to make sure the fonts specified in your document are installed in the printer or are set up correctly in Windows. If you request a font in an application that is not resident in the printer, or is not correctly installed in Windows, the text is printed in the Courier typeface. Or, to use fonts that are not resident in the printer, do one of the following:

- Use a font downloader supplied with your font package to download the desired font to the printer.
- Edit your *WIN.INI* file so the Windows driver automatically downloads the fonts you need as part of a print job. Refer to your Microsoft Windows documentation for details on this procedure.

Some font packages automatically update the PostScript port entries in your *WIN.INI* file when you install the fonts. Refer to the font package's documentation for instructions.

For more information on using fonts with Windows, request a document catalog from HAL or EuroHAL, the Tektronix automated fax systems. Refer to [Using the automated fax systems](#) for instructions on using these systems.

Printing font samplers

Printing a font sampler from a Macintosh

You can print a sample of the printer's resident fonts by downloading the *Fonts Sampler* utility file to the printer.

N O T E



If you are using QuickDraw GX and System 7.5, you can print the fonts sampler from the Tektronix Phaser 600 GX printer driver.

- 1** Install the sampler and utility files from either the Printer Software for Macintosh diskette or the printer's CD-ROM; see [Installing printer software for Macintosh](#) for details.
- 2** Select the appropriate printer in the **Chooser**.
- 3** Locate the *LaserWriter Utility* in the *PhaserTools* folder on your computer's hard disk, and double-click its icon to start the application.
- 4** Choose **Download PostScript File** from the **Utilities** menu.

- 5 Select the *Font Sampler* file from the list, then click **Open**. (This file was installed in the *Samplers* folder, inside the *PhaserTools* folder.)
- 6 If no messages are returned by the printer, the *LaserWriter Utility* displays a dialog box; click **OK** to continue.

Printing a font sampler from a PC

You can print a sample of the printer's resident fonts by downloading the *FONTS.PS* utility file to the printer.

- 1 Locate the *FONTS.PS* file in the *SAMPLERS* directory either on the printer's CD-ROM or the Printer Software for Windows diskette.
- 2 Copy the *FONTS.PS* file to your computer's hard disk or use the file directly from the CD-ROM.
- 3 Use one of the following methods to send the *FONTS.PS* file to the printer:
 - **PC users:** Use the DOS **COPY** command to send the file to the printer. (Windows 3.1 users can also use the **Copy** command in the **File Manager**.)
 - **Workstation users:** Send the file to the printer as you would any PostScript file.



PRINTING: BEYOND THE BASICS

Phaser[®] 600 Wide-Format Color Printer

This chapter discusses the following topics:

- [Working with color](#)
- [Color corrections — making the best selection](#)
- [Printing and using the color sampler charts](#)
- [Special printing features](#)
- [Phaser Copystation](#)
- [Laminating your Phaser 600 prints](#)

Working with color

Whether you are producing color graphs, charts, transparencies for presentations, posters, signage, or design comps, there are a few things to keep in mind when using color.

- A large area of color looks more saturated (brighter) than a small area of the same color.
- A color looks brighter against a dark background than it does against a white background.
- Colors look different due to the background color or to the surrounding colors.
- The appearance of a color varies with the type and amount of light, for example fluorescent lighting versus sunlight.

General guidelines

- Keep a document or design simple and consistent.
- Select colors that look good together and that reinforce your message.
- Check your application for standard palettes to get you started.
- Use a color scheme of five or six shades, and in a series of images, use the colors in a consistent manner throughout the series.
- Use color to show relationships between objects, such as a range of values. Objects with a similar meaning or value should be in similar colors.
- Avoid red and green combinations; these colors are hard for people with red/green color blindness to distinguish.
- Avoid red and blue combinations; these colors cause the eye to focus at different lengths.

Color corrections — making the best selection

TekColor corrections

The printer's TekColor color correction options provide simulations of different color devices. Follow these basic guidelines so that the printer accurately reproduces the colors you want on your prints.

- For graphic arts purposes, there are four printing press standards to choose from: **SWOP Press** (Specifications for Web Offset Publications), **Commercial Press**, **SNAP Press**, and **Euroscale Press**.
- For engineering and scientific imaging applications, try printing with the **Simulate Display** option.
- For typical business and office printing, select the **Vivid Color** option before printing.

Color corrections can be selected from printer drivers, set in the printer with downloadable utility files, or set from the printer's front panel.

TekColor color corrections are performed in the printer. To use ColorSync color matching on a Macintosh, or to use host color correction in Windows 95, refer to [Color Matching](#) or Tektronix' World Wide Web site for additional information.

N O T E



TekColor color corrections do not affect colors specified in the PostScript Level 2 international color standard CIE Based ABC developed by the Commission Internationale de l'Eclairage (International Commission on Illumination).

PhaserMatch

With support for PhaserMatch™ custom profiles, users are now better able to match a specific press, paper, and ink. PhaserMatch software for PC and Macintosh platforms provides a simple approach for creating and editing color profiles. It is designed for the most demanding users who need to consistently and accurately predict and control colors. The profiles can be created by adjusting dot gain, controlling density on color reproduction curves to simulate the color output of the target press.

For detailed information and instructions on using PhaserMatch software, refer to the *PhaserMatch User Manual*.

Deciding which color correction to use

Color printers and computer display screens produce color differently. Printers use the subtractive primaries CMYK (cyan, magenta, yellow, and black), and produce color when light is reflected off the paper. Computers use the additive primaries RGB (red, green, blue) with a light-emitting CRT screen. The printer and the computer screen each have a different range of possible colors they can produce, with some overlap between them.

Software application packages specify color in different ways, for example as CMYK or RGB, or they may give you a choice. Get to know your applications so you can work more efficiently.

The TekColor color correction options are available for a finer degree of control over color. Since no single color correction option can address all uses, refer to the following table for the description that best fits your printing situation, and try the suggested color correction.

For the greatest control of color matching, the PhaserMatch software shipped with your printer allows you to create and customize color profiles. Refer to the *PhaserMatch User Manual* for detailed information and instructions.

Color correction descriptions

Click on the following topics for more information:

- [Turning off all color corrections](#)
- [Printing the brightest colors and a truer blue](#)
- [Simulating display screen colors](#)
- [Closely match printing press colors](#)
- [Printing in gray scale](#)
- [Using the printer's current color defaults](#)
- [Using simple color conversions](#)
- [Using the rendering intents](#)

Turning off all color corrections

If you do not want to use any TekColor color corrections, you can specify no corrections from a supported driver, or with utility files, or from the printer's front panel. Select **None** when you are doing the following:

- Using applications that do their own color adjusting.
- Using ColorSync on a Macintosh or host color correction in Windows 95.
- Printing PANTONE Colors.

Printing the brightest colors and a truer blue

The **Vivid Color** option makes printed blue appear less purple by reducing the amount of magenta used to print blue colors. Other colors in the cyan-blue-purple-magenta range in the image are also adjusted to compensate for the adjusted blue. Colors in the red-orange-yellow-green range are minimally affected. This selection is good for applications that do not need to simulate a printing press. It is also good for making presentation graphics, such as backlit media or transparencies.

Vivid Color adjusts CMYK colors using a method that adds black to other components. This option prints more saturated (darker) colors and may be useful for printing from some applications, such as CorelDRAW!. Use this option if you have specified a color in the CMYK system, *and* the color has a black component, *and* the color appears lighter than you expected when printed.

Simulating display screen colors

The Simulate Display option makes printed colors closer to the colors on a standard display screen. This selection should improve the screen-to-printer color accuracy for most applications that don't perform their own color corrections. This selection is best for applications that define colors as RGB (red, green, blue), HLS (hue, lightness, saturation), or HSB (hue, saturation, brightness).

Closely match printing press colors

There are several printing press color correction options. Each press option conforms to a different printing standard. Use a press option if you are previewing work for a four-color job to be printed on a printing press. These options simulate a four-color commercial printing press, *not* solid spot colors, such as PANTONE Colors. You can use PhaserMatch to tailor a built-in press color correction for a particular press.

NOTE



If you are selecting PANTONE Colors in your application, use the **None** option; see [Turning off all color corrections](#) for details. Also, use the **None** option with other color management systems, such as EfiColor.

Click on the following topics for more information:

- [SWOP Press](#)
- [Commercial Press](#)
- [Euroscale Press](#)
- [SNAP Press](#)
- [Custom Profiles](#)

SWOP Press

Press option	Inks	Base (paper)	Target match
SWOP Press	SWOP/soy	publication	<ul style="list-style-type: none"> ■ Specification for Web Offset Publications ■ These are specifications for color separation films and color proofing that are used to ensure the consistency of printed colors between different publications. ■ This option is typically used in the U.S., and is characterized to match 3M Matchprint® 3 publication proofs. ■ Used for high-volume, web press printing.

Commercial Press

Press option	Inks	Base (paper)	Target match
Commercial Press	commercial	commercial	<ul style="list-style-type: none"> ■ This option is typically used in the U.S., and is characterized to match 3M Matchprint 3 commercial proofs. ■ Used for high-quality, sheet-fed printing.

Euroscale Press

Press option	Inks	Base (paper)	Target match
Euroscale Press	Euroscale	publication	<ul style="list-style-type: none"> ■ This option is typically used in Europe, and is characterized to match the equivalent 3M Matchprint 3 proof.

SNAP Press

Press option	Inks	Base (paper)	Target match
SNAP Press	SNAP	newsprint	<ul style="list-style-type: none"> ■ Specifications for Non-Heat Advertising Printing ■ This is a set of production standards for printing on uncoated and newsprint papers. ■ This option is targeted to match typical colors for this type of printing in the U.S. ■ Use this option if you are previewing work for a non-heat web offset printing press using newsprint paper.

Custom Profiles

Press option	Inks	Base (paper)	Target match
Custom Profiles	n/a	n/a	<ul style="list-style-type: none"> ■ Create custom profiles in the PhaserMatch application to fine-tune the printing press color corrections. ■ Refer to the <i>PhaserMatch User Manual</i> for instructions.

Printing in gray scale

The **Monochrome** option prints your color image as a monochrome gray scale (shades of gray from black to white).

Using the printer's current color defaults

The **Use Printer Setting** option is available in supported drivers. This option sends no color correction information to the printer. It uses the current default in the printer to process colors for printing. The printer's default can be one of the following:

- Any option selected in the **TekColor Corrections** menu on the printer's front panel.
- One of the color correction utility files sent to the printer.
- PhaserMatch can download custom profiles to the printer.

Using simple color conversions

The following utility files use Adobe's standard color conversions to tell the printer what type of output device you want it to simulate:

- *Raw CMYK Colors (RAWCMYK.PS)*: Converts all colors (CMYK, RGB, grays) to CMYK colors. Use this file if your application specifies colors as CMYK (cyan, magenta, yellow, and black). This file lets you control the CMYK output of the printer's colors without using any TekColor color corrections.
- *Raw RGB Colors (RAWRGB.PS)*: Converts all colors (CMY, CMYK, grays) to RGB colors. Use this file if your application specifies colors as RGB (red, green, and blue). This file lets you control the CMY output of the printer's colors without using any TekColor color corrections.

NOTE



Refer to [Using Printer Utilities](#) for instructions on installing and using the utility files.

Using the rendering intents

The color rendering intents are designed for use with images containing colors specified in the PostScript Level 2 international color standard, CIE XYZ, which was developed by the Commission Internationale de l'Eclairage (International Commission on Illumination).

Each color rendering intent provides a specific type of color matching.

- **Rendering Intent Absolute**
- **Rendering Intent Relative**
- **Rendering Intent Saturation**
- **Rendering Intent Perceptual**

See [Using the color rendering intents](#) for details.

Special considerations

Click on the following topics for more information:

- [If your Phaser 600 printer is shared on a network](#)
- [Application color corrections](#)
- [If you are using an unsupported driver](#)

If your Phaser 600 printer is shared on a network

Another user may use the downloadable color correction utility files, or the printer's front panel, to change the printer's default color correction setting. If this situation occurs, the prints you make through a non-supported driver may not print as expected. Refer to [Sharing the printer on a network](#) for details on how the color corrections interact with the driver settings for either supported or non-supported drivers.

Application color corrections

Some applications perform color corrections to improve screen-to-printer color matching. The TekColor color correction options in the supported drivers adjust colors in the printer after the application has performed its color corrections.

- If the application uses CIE (Commission Internationale de l'Eclairage) colors, the TekColor corrections will *not* be applied.
- If you select a TekColor color correction option in a driver other than **None**, the selection may override some application features.
- If you try one of the TekColor color correction options in a supported driver and the printed results are not what you expected, then select the **None** option and try reprinting your image.
- Select the **None** TekColor color correction option in a supported driver if you are using ColorSync color matching on a Macintosh, or host color correction in Windows 95 (refer to [Color Matching](#) or Tektronix' World Wide Web site).

If you are using an unsupported driver

If you are not using one of the printer drivers shipped with the printer, or another PPD-driven driver, then use the downloadable utility files or the printer's front panel to select color corrections; see [Using the Front Panel](#) and [Downloading files to the printer](#) for details.

Printing and using the color sampler charts

You can print color sampler charts from your printer to see how the colors, as specified from within an application, will look when printed. Having a pre-printed sample of each color can help you save time in selecting the right color for your use.

The printer's color sampler files are available from a variety of sources, according to the following table:

Color Sampler Charts	Accessing the charts	
CMYK sampler chart	Print from CD-ROM and Diskettes	or Download from World Wide Web
Cyan, magenta, yellow, and black color model	See Printing the Color Sampler Charts .	Visit the Tektronix web site: http://www.tek.com/Color_Printer_s/support/
RGB sampler chart		or use PhaserLink software to print sampler charts from your web browser.
Red, green, and blue color model		
HSB sampler chart		
Hue, saturation, and brightness color model		
PANTONE sampler chart		

The CMYK, RGB, and HSB Samplers are formatted as ANSI A- (Letter-) sized media, but two are printed on each piece of ANSI B (Tabloid) or larger media. You can either use cut-sheet media or roll media. When you use roll media, you can save media by rotating the image 90° or 270°. These files automatically select ANSI B as the media size; do not hand-feed ANSI A media.

The PANTONE Sampler prints only ANSI A-size pages. You can either manually feed A-sized cut-sheets or use narrow roll media. Setting **Page Rotation** to 90° or 270°, you use less media.



Special printing features

Click on the following topics for more information:

- [Fusing Mode / Media Fusing](#)
- [Advance Media](#)
- [Cut Media](#)
- [Mirror Print](#)
- [Page Centering](#)
- [Page Rotation](#)
- [Image Smoothing](#)
- [Fast Preview](#)
- [Print Preview](#)
- [Color Control Strip](#)
- [Reprint](#)
- [Custom page sizes](#)

Fusing Mode / Media Fusing

This option is selected in supported printer drivers and from the front panel (Media Defaults menu). It determines whether and in what manner the print is fused. You can use this option with all media types, and with both cut-sheet and roll media.

Options

- **Cold** (*default*) Flattens the dots of color, which makes colors appear darker than if **Media Fusing** is set to **None**. Colors that are cold-fused are more resistant to flaking than non-fused colors.
- **Hot** Softens the ink and flattens the printed dots of color, making the colors more resilient than with cold fusing. When using roll media, hot-fusing overrides the **Advance Media** option, and adds 225 mm (8.875 inches) of blank media after each page is printed, if cutting is disabled.
- **None / Off** With fusing turned off, printing completes more quickly; also, possible banding and offsetting from the fuser are eliminated. However, prints may look lighter than when hot- or cold-fused, with more white paper visible around the printed dots of color. Inks may be less durable if they are not fused.

Hints

- When **Hot** is selected, the only available option for **Advance Media** is **Allow Hot Fusing**. Refer to [Advance Media](#) for more information.
- Media fusing behaves differently with different media types (some media may produce degraded print quality with fusing). Experiment until you get the best results. Tektronix-supplied media usually look best with cold-fusing.
- When hot fusing is selected (or de-selected), the printer goes into a warm-up (or cool-down) period for approximately 15 minutes. If hot fusing has been selected, the printer's warm-up time also increases when the printer is turned on or comes out of standby mode.
- If you do not have a supported printer driver, you can use the PostScript utility files shipped on the printer's CD-ROM or diskettes. Refer to [Downloading files to the printer](#) for instructions on downloading utility files.

Advance Media

This option is selected in supported printer drivers and used *only* with roll media. The amount that the media is advanced is measured in points; the default advance is set to 72 points (25.4 mm, 1 inch), but it can be changed to your specification with a PostScript utility file that is shipped on the printer's CD-ROM or diskettes.

Options

- **Never / Off** (*default*)
Prints one page after another without adding extra space after any pages.
- **After Each Job / Per Job**
Advances the media only after the last page of a job is printed.
- **After Each Page / Per Page**
Advances the media after each page is printed.
- **Allow Hot Fusing**
Automatically selected if the **Fusing Mode** option is set to **Hot**. Advances media automatically after each page is printed.

Hints

- If the **Fusing Mode** is set to **Cold**, **None**, or **Printer's Default**, the available options for **Advance Media** are **Never**, **After Each Job**, and **After Each Page**.
- If the **Hot** option for **Fusing Mode** is selected, the printer automatically selects **Allow Hot Fusing** for the **Advance Media** option; the other options are not available.
- If you do not have the Phaser 600 printer driver, you can use the PostScript utility files shipped on the printer's CD-ROM or diskettes. Refer to [Downloading files to the printer](#) for instructions on downloading utility files.

Cut Media

This feature is selected in supported printer drivers or from the front panel in the Media Defaults menu. It is used *only* with roll media.

Options

- **Never / Off**
The printer does not automatically cut the media. This keeps the images together on the media roll, which is useful for processes such as lamination.
- **After Each Job / Per Job**
The printer automatically cuts the media only after the last page of a job is printed.
- **After Each Page / Per Page** (*default*)
The printer automatically cuts the media after each page is printed.

Hints

- Certain media do not cut well or may require that the automatic (internal) cutter be replaced more frequently. Because thick or fiber-based media (for instance, artist's canvas) can be difficult to cut, you may want to turn off the automatic cutting.
- The driver selection overrides the front panel default.
- If you do not have a supported printer driver, use the PostScript utility files shipped on the printer's CD-ROM or diskettes. Refer to [Downloading files to the printer](#) for instructions on downloading utility files.

Mirror Print

This option is selected in supported printer drivers. **Mirror Print** inverts an image left-to-right, before printing.

Options

- **On**
- **Off** (*default*)

Hints

- **Mirror Print** is useful when printing on transparency film, so that the printed surface can be protected when mounted.
- If you do not have a supported printer driver, you can use the PostScript utility files shipped on the printer's CD-ROM or diskettes. Refer to [Downloading files to the printer](#) for instructions on downloading utility files.

Page Centering

This feature, available only in supported printer drivers, centers the requested page size on the actual page size of the media. For roll media, the image is centered from side-to-side. For cut-sheet media, the image is centered from side-to-side and from top-to-bottom.

Options

- **Off**
- **On** (*default*)

Hints

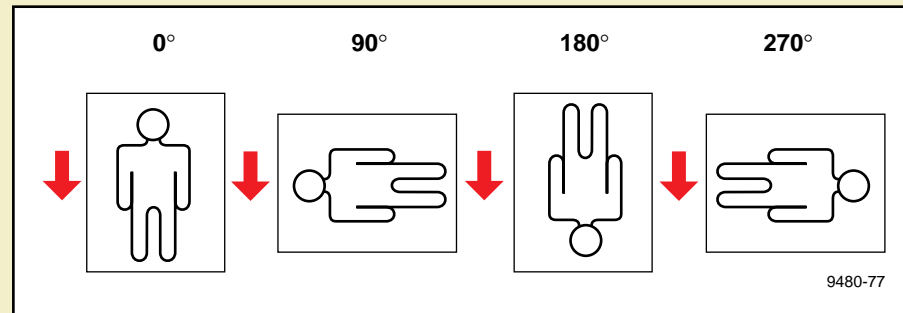
- When you select **Page Centering**, make sure that media is already loaded before sending a job to the printer. If media is not loaded, the printer uses the default media size (the front panel setting) to calculate the center position. Depending on the default setting and the requested size, the image can be clipped or missing.

Page Rotation

The **Page Rotation** option, selectable in supported printer drivers, changes the way that the image is marked on the paper.

Options

- **0° / None**
(*default*)
- **90°**
- **180°**
- **270°**



In this illustration, the arrow indicates the leading edge of the media (the leading edge is the side of the media that enters the printer first).

Hints

- Rotating an image 90° or 270° is useful for printing a small image on large media; for example, a Tabloid-size image on a 36-inch (914 mm) media roll.
- Rotating an image 180° changes the top and bottom margins on cut-sheet media, relative to the image.
- If you do not have a supported printer driver, you can use the PostScript utility files shipped on the printer's CD-ROM or diskettes. Refer to [Downloading files to the printer](#) for instructions on downloading utility files.

Image Smoothing

Image Smoothing is selected from the printer's front panel (in the Printer Defaults menu) as well as in supported printer drivers. **Image Smoothing** blends adjacent colors in an image so that color transitions are less noticeable.

This feature is typically used when the image being printed is at a lower resolution than the printer's output resolution. For example, printing an image downloaded from the World Wide Web at 72 dpi using the printer's 300 dpi. Images printed using **Image Smoothing** appear with less sharp detail but with smoother color transitions. **Image Smoothing** does not affect images at 150 dpi or higher. Due to extra internal calculations, printing may take longer with **Image Smoothing** on.

Options

- **On**
- **Off** (*default*)

Hints

- If you do not have a supported printer driver, you can use the PostScript utility files shipped on the printer's CD-ROM or diskettes. Refer to [Downloading files to the printer](#) for instructions on downloading utility files.

Fast Preview

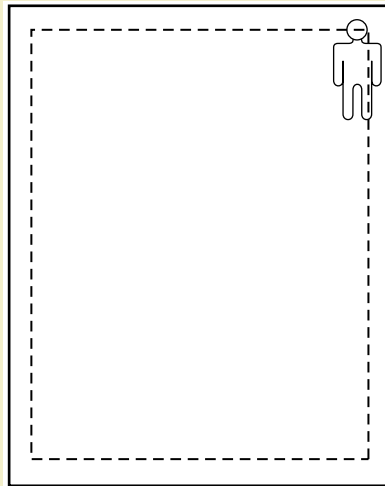
The **Fast Preview** option is only available for the Photoshop plug-ins. It produces a quick print of your image with slightly reduced image quality. This option reflects the color correction you have selected for this image.

Hints

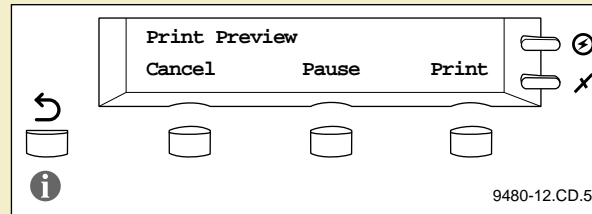
- For lower resolution images, you can improve the print quality of **Fast Preview** prints by activating the **Image Smoothing** option.

Print Preview

This Extended Features option, selected in supported printer drivers, prints a small *thumbnail* version of the job's first page. The image is reduced by one-fifth in height and width, or to Tabloid-size (11 x 17 in.), or its Metric equivalent, whichever is smaller. A dashed outline indicates the full-sized image and its placement.



Once the preview image is printed, the printer's front panel displays this message and waits for user interaction:



-
- | | |
|---------------|---|
| Cancel | Ends the Print Preview, returning the printer to Ready . |
| Pause | Enters the Pause menu, which allows you to print the image at a different scale. Scale selections include: <ul style="list-style-type: none">■ 25% to 400%■ Scale to Fit, which automatically scales the preview image to fit the media installed in the printer or, if media is not installed, the front panel selection. |
| Print | Prints the full-size image and all subsequent pages of the print job. |
-

Options

- **On**
- **Off** (*default*)

Timeout

- The printer waits a set amount of time for the user to press a front panel button. If no button is pressed in that time, the job is cancelled and the printer returns to **Ready**.
- The default timeout is 15 minutes; to change the default, use the PostScript utility file that is available from Technical Support.

Color Control Strip

This feature, when selected in a supported printer driver, prints a band of colors along the bottom edge of your print. The color control strip is useful for checking the consistency of printed colors between prints made on the same printer, or between prints made on more than one of the same type or model of printer.

Options

- **On**
- **Off** (*default*)

The color control strip has these qualities/features:

- Includes the printer's eight primary and secondary colors:
 - Cyan
 - Red (magenta and yellow)
 - Magenta
 - Green (cyan and yellow)
 - Yellow
 - Blue (cyan and magenta)
 - Black
 - Black (cyan, magenta, and yellow)

- Each color is printed at 100% saturation (brightness) and 50% saturation.

- The color strip includes the following information:
 - File name*
 - Date/time of printing*
 - Color Profile
(the currently selected Tekcolor correction or PhaserMatch custom profile)

- * These are present on the Color Control Strip if the driver supplies certain PostScript information (some drivers do not).

Reprint

The **Reprint** function is available in the front panel's Pause menu if an Extended Features option is installed. It allows you to reprint the last PostScript image with the following options:

Options

■ **Scale**

- Enlarges an image up to 400% of the original size; an A-size image can be scaled to E-size.
- Reduces an image to a minimum of 5% of the original size; an E-size image can be scaled down to A-size.
- Scale to Fit, which automatically scales the image to fit the media installed in the printer or, if media is not installed, the front panel selection.

■ **Copies**

- Allows you to specify the number of copies you want printed.

Custom page sizes

Most drivers that support the Phaser 600 printer allow you to set custom page sizes in the **Page Size** selection area.

Phaser Copystation

The Phaser Copystation adds easy-to-use, walk-up color copying capability to the Phaser 600 printer. Images scanned on the Copystation are sent to the printer through a direct SCSI connection. The Copystation is fully compatible with other SCSI devices, such as an external SCSI font disk.

Click on the following topics for more information:

- [Requirements and suggested memory configuration](#)
- [Connecting the Copystation](#)
- [Setting the print quantity](#)
- [Scaling images from the Copystation](#)
- [Media size interactions](#)

Requirements and suggested memory configuration

For Copystation capability, the Phaser 600 requires the Extended Features option. You can also order additional memory (16 Mbytes or 32 Mbytes) for improved performance. For information on ordering a Copystation, refer to [Phaser Copystation](#) (order number 4540). For information on ordering additional memory, refer to [Memory upgrade](#).

Connecting the Copystation

The *Phaser Copystation User Manual* is shipped with the Copystation; it contains detailed instructions for connecting and using the Copystation with your printer. Keep these tips in mind when connecting the Copystation:

- Always turn off the power to the printer and all SCSI devices before making connections.
- The printer and Copystation have built-in SCSI termination. If other SCSI devices are also connected to the printer, make sure that the Copystation is the last device in the chain, and that the other devices' terminators are disabled.
- Make sure that there are no conflicts in SCSI ID numbers for any of the SCSI devices connected to the printer. The Copystation uses SCSI ID numbers **5** and **6**; the printer uses SCSI ID numbers **7** and **4**.
- Always turn on SCSI peripheral devices (the Copystation and external disks) at least one minute before turning on the printer.

Setting the print quantity

The Copystation's front panel allows you to specify the number of copies you want output from the printer:

- 1** Press the **# of Copies** button on the Copystation; use the keypad to enter the number of copies you want.
- 2** Press the **Copy** button.

N O T E



When requesting multiple copies of an image, always use the Copystation's **# of Copies** command; the printer's front panel Copies function is unavailable.

Scaling images from the Copystation

Automatic scaling

When the printer's front panel selection for Media Size matches the size of media that is installed in the printer, an image sent from the Copystation is automatically scaled up to fill the media's printable image area.

Custom scaling

To scale an image by a specific amount, use the Copystation's **Scale** function:

- Reduces the size of an image so that it is smaller than the installed media's printable area.
- Enlarges or reduces the image by a specific amount; also used when the front panel's media size setting does not match the installed media.

N O T E

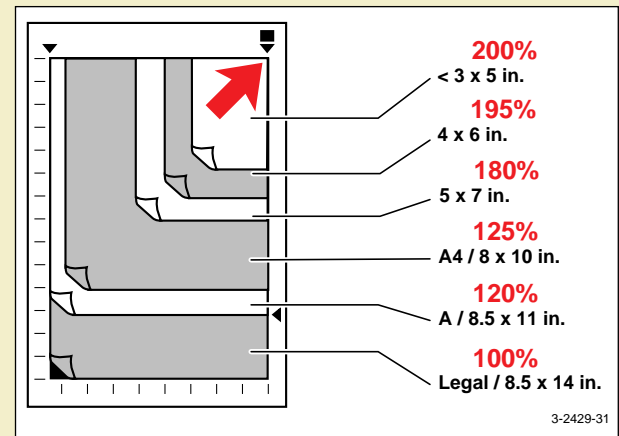
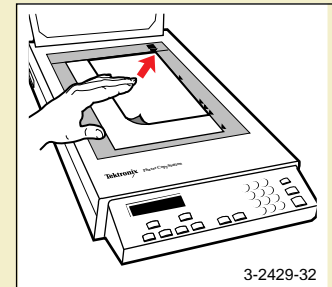


When sending an image from the Copystation to the printer, always use the Copystation's **Scale** command; the printer's front panel Scale function does not affect Copystation output.

Getting the best results

You can scan an image (for example, an 8 x 10 in. photograph) on the Phaser Copystation at pre-determined scale percentages, and your printer **automatically scales the output to fit the selected media size**.

- 1 **Printer's front panel** — set the **default page size** for the desired copy size.
- 2 **Place the original** image on the Copystation, starting in the **upper right corner**.
- 3 **Copystation's front panel** — select the **scaling percentage** based on these examples:



Media size interactions

Copies that you make on the Copystation are automatically scaled to fit the default media size set for the printer, regardless of the media that is loaded in the printer. If the printer's default media size setting differs from the installed media, your image may not print as expected. The default media size selected in the printer's front panel should match the actual media loaded in the printer.:

Media size selected in the front panel	Media used	Results*
ANSI B 10.6 x 16 in.	ANSI C 16.6 x 21 in.	Image does not fill the image area.
ANSI C 16.6 x 21 in.	ANSI C 16.6 x 21 in.	Image correctly fills the image area.
ANSI D 21.6 x 33 in.	ANSI C 16.6 x 21 in.	Image is cropped at the boundaries of the media's printable image area.

* Assumes the Copystation is set for **100%** scale.

Set the default media size in one of the following ways:

- **Front panel**

Media Size selections in the Media Defaults menu.

- **Downloaded utility file**

Refer to [Downloading files to the printer](#) or the World Wide Web for instructions on downloading a utility file.

Printing A-size images on A-size media

The printer's default media size cannot be set to A-size, nor can A-size be selected in the printer's front panel. If you are copying an A-size image to print out on A-size media, follow these steps:

- 1** On the printer's front panel, access the Media Size selections in the Media Defaults menu.
- 2** Select ANSI B, which is the smallest media size selectable from the front panel.
- 3** On the Copystation's front panel, press the **Scale** button.
- 4** Using the keypad on the Copystation, enter **83%** (the amount necessary to scale a B-size image to A-size).
- 5** Manually feed an A-size sheet of media into the printer.
- 6** Place the item to be copied on the scanner window at the lowest, right-most position
- 7** Press the Copystation's **Copy** button to make a print.

Laminating your Phaser 600 prints

You can protect your wide format prints using commercially available, pressure-sensitive and warm temperature (under 200° C) lamination media. For best lamination performance, Tektronix offers specially formulated lamination material designed to produce high quality, durable prints. You can use Tektronix lamination material to laminate Phaser 600 output on any commercially available heat/pressure laminator that meets the feature list in the following table.

Feature description	Specification
Roll size	37 inches (940 mm) wide 6.8 inches (173 mm) outside diameter
Upper pressure roller temperature	195° F (90.5° C)
Lower pressure roller temperature	Ambient
Laminator speed	0.65 inches (16.5 mm) per second
Nip pressure	Minimum setting for best print quality
Take-up spool	Requires release liner take-up spool

Tips on laminating prints

- Use Tektronix Smooth White Bond or Photo Grade Presentation papers and Tektronix Lamination Film for best results. Refer to [Ordering printer supplies](#) for ordering information.
- If the laminator is equipped with cooling fans, use them to reduce the possibility of curled prints.
- Set the laminator's nip pressure low enough to avoid ink smear and possible damage to laminator pressure rollers.
- For best results, set the printer's fusing mode to **Cold** when prints are to be laminated.
- Lamination of canvas material is not recommended.



PRINTING THE COLOR SAMPLER CHARTS

Phaser[®] 600 Wide-Format Color Printer

There are color sampler charts available for your printer. The charts are designed to help you select colors within an application that can be reproduced on your printer.



Each color sampler chart consists of colored rectangles with the component values for each color. You can select colors within an application using the component values. Component values are percentages of colors (cyan, magenta, yellow, and black; red, green, and blue; hue, saturation, and brightness) that are combined to make a particular color.

The color chart you print and use depends on how the application you are using selects color. Refer to the application's documentation for information on color selection, then print one or more of the available color charts.

Click on the following topics for more information:

- [Available color charts](#)
- [Setting up the printer](#)
- [Printing from a Macintosh](#)
- [Printing from a PC](#)

N O T E



The PANTONE Color chart is described in [Using PANTONE® Color Files](#).

Available color charts

The color sampler charts print Letter-size pages 2-up on B-size (tabloid) paper. The following table lists the number of Letter-size pages and the corresponding number of B-size sheets of paper required to print these charts.

Color sampler chart		Number of pages	Number of B-size prints
CMYK Sampler	Prints a sample of colors in the CMYK (cyan, magenta, yellow, and black) color model.	18	9
RGB Sampler	Prints a sample of colors in the RGB (red, green, and blue) color model.	12	6
HSB Sampler	Prints a sample of colors in the HSB (hue, saturation, and brightness) color model.	12	6

Setting up the printer

The color sampler charts print Letter-size pages 2-up on B-size (tabloid) paper. You can print each color sampler chart on separate sheets of B-size paper, or on a continuous sheet of roll paper to create a wall chart. You can also cut each Letter-size page for placement in a binder for easy reference.

Click on the following topics for setup instructions:

- [If you are using manual feed media](#)
- [If you are using roll media](#)

If you are using manual feed media

- 1 Use B-size (tabloid) sheets of paper for the most efficient use of paper.
- 2 Select **Media Size: ANSI B** on the printer's front panel.
- 3 Remove roll media from the input slot.
- 4 Feed individual sheets into the media input slot at the front panel prompt.
- 5 Do not feed subsequent sheets until the previous print has completed.

If you are using roll media

- 1 Use roll paper that is at least 12 inches wide. The narrower the roll, the less paper is wasted.
- 2 Select **Media Size: ANSI B** on the printer's front panel.
- 3 If you want the charts to print in a continuous banner, select **Media Cutting: per Job** on the printer's front panel.
- 4 You may want to set page rotation to 90-degrees to save paper. To make this selection, use the printer utility files shipped with the printer.
 - Macintosh: Use the *Page Rotation 90* file. See [Installing the files](#) and [If you need to download a utility file](#) for instructions.
 - PC: Use the *ROTATE90.PS* file. See [Installing the files](#) and [If you need to download a utility file](#) for instructions.

Printing from a Macintosh

Click on the following topics for more information:

- [Installing the files](#)
- [Important preparations](#)
- [Printing the color charts](#)

Installing the files

The color sampler chart files for the Macintosh are located on the Phaser 600 printer's CD-ROM and diskettes.

- 1 Follow the instructions in [Macintosh software](#) to install the printer's software. Select **Easy Install** to automatically install the software, or select a printer driver, such as the *Adobe PSPrinter* driver, **and** the *Samplers* item in the **Custom Install** window.

You can select color corrections from the printer's front panel. However, if you need to select color corrections with downloadable utility files, also install the *Printer Utilities* item in the **Custom Install** window. (You may need to use utility files if the printer is some distance away from you, or if you are not using one of the provided drivers.)

- 2 Locate the files in the *Samplers* folder, inside the *PhaserTools* folder created on your hard disk by the installer application.

Important preparations

To match colors on the charts to colors selected within an application, use the same printer color correction to print the charts that you are going to use when selecting and printing those colors within an application.

Printing from a supported driver

- 1 Print a color chart with either the **Vivid Color** front panel selection, or the *Vivid Color* utility file downloaded to the printer.
- 2 Print from an application with the driver's **Vivid Color** option selected.

Printing from a non-supported driver

- 1 Print a color chart with either the **Vivid Color** front panel selection, or the *Vivid Color* utility file downloaded to the printer.
- 2 Print from an application with either the **Vivid Color** front panel selection, or the *Vivid Color* utility file downloaded to the printer.

The following table lists the driver color correction selections with their corresponding utility files and front panel settings.

Which color correction to use

If you plan to print colors from an application with this color correction selected in a driver

Then print the chart with the corresponding color correction set either with a utility file downloaded to the printer, or selected from the printer's front panel

Driver Color Correction selection	Macintosh utility file name	Printer's front panel selection (TekColor Corrections menu)
Simulate Display	<i>Simulate Display</i>	<i>Display</i>
Vivid Color	<i>Vivid Color</i>	<i>Vivid Color</i>
Use Printer Setting	(any color correction utility file)*	(any front panel color setting)*
Commercial Press	<i>Commercial Press</i>	<i>Commercial</i>
Euroscale Press	<i>Euroscale Press</i>	<i>Euroscale</i>
SWOP Press	<i>SWOP Press</i>	<i>SWOP</i>
SNAP Press	<i>SNAP Press</i>	<i>SNAP</i>
None	<i>No Color Correction</i>	<i>None</i>

* Use the same color correction to print the chart and later to print the colors from an application.

Printing the color charts

NOTE



If you are using QuickDraw GX, you can print the color charts from the Tektronix Phaser 600 GX printer driver; see [Downloading printer utilities](#) for instructions.

- 1 See [Installing the files](#) to install the samplers and utility files from the Phaser 600 printer's CD-ROM.
- 2 Select the appropriate printer in the **Chooser**.
- 3 See [Setting up the printer](#) to load media.
- 4 Decide which color correction you need to use; see [Important preparations](#) for details.

If you are selecting a color correction from the printer's front panel

Use the **TekColor Corrections** menu.

If you need to download a utility file

- a** Locate the *LaserWriter Utility* in the *PhaserTools* folder on your hard disk, and double-click its icon to start the application.
- b** Choose **Download PostScript File** from the **Utilities** menu.
- c** Select a color correction file from the list, then click **Open**. (These files were installed in the *Printer Utilities* folder, inside the *PhaserTools* folder.)
- d** At the prompt `Save PostScript output as:` you are asked for a file name for saving printer output. Use either the default name given in the edit box or type a new name.
Click **Save** to send the file to the printer.
- e** If no output is returned by the printer, the *LaserWriter Utility* displays a dialog box; click **OK** to continue.

- 5 To print a color sampler chart, do the following:
 - a Locate the *LaserWriter Utility* in the *PhaserTools* folder on your hard disk and double-click its icon to start the application.
 - b Choose **Download PostScript File** from the **Utilities** menu.
 - c Select the color sampler chart file from the list, then click **Open**. (The color sampler chart files were installed in the *Samplers* folder, inside the *PhaserTools* folder.)
 - d At the prompt `Save PostScript output as:` you are asked for a file name for saving printer output. Use either the default name given in the edit box or type a new name.
Click **Save** to send the file to the printer.
 - e If no output is returned by the printer, the *LaserWriter Utility* displays a dialog box; click **OK** to continue.

- 6 Select colors within an application using the colors on the chart.
- 7 Print your document using one of the following methods:
 - **If you are printing from a supported driver:** Print your document using a supported printer driver (such as the Phaser 600 GX or LaserWriter 8.x) with the same color correction option selected in the driver that you used with a downloaded utility file or on the printer's front panel to print the chart. Any other color correction selection in the driver can cause the colors to print differently.
 - **If you are not using a supported driver:** Print your document with the same downloaded utility file or front panel color correction you used to print the chart. Any other color correction selection can cause the colors to print differently.

Printing from a PC

Click on the following topics for more information:

- [Installing the files](#)
- [Important preparations](#)
- [Printing the color charts](#)

Installing the files

- 1 Follow the instructions in [PC/Windows software](#) to install the printer's software. Select **Easy Install** to automatically install the software, or select the *Samplers* item in the **Custom Install: Utilities** window.

You can select color corrections from the printer's front panel. However, if you need to select color corrections with downloadable utility files, also install the *Printer Utilities* item in the **Custom Install: Utilities** window. (You may need to use utility files if the printer is some distance away from you, or if you are not using one of the provided drivers.)

- 2 Locate the files in the *SAMPLERS* subdirectory, inside the *PHSRTOOL* directory created on your hard disk by the installer application.

Important preparations

To match colors on the charts to colors selected within an application, use the same printer color correction to print the charts that you are going to use when selecting and printing those colors within an application.

Printing from a supported driver

- 1 Print a color chart with either the **Vivid Color** front panel selection, or the *Vivid Color (VIVDCOLR.PS)* utility file downloaded to the printer.
- 2 Print from an application with the driver's **Vivid Color** option selected.

Printing from a non-supported driver

- 1 Print a color chart with either the **Vivid Color** front panel selection, or the *Vivid Color (VIVDCOLR.PS)* utility file downloaded to the printer.
- 2 Print from an application with either the **Vivid Color** front panel selection, or the *Vivid Color (VIVDCOLR.PS)* utility file downloaded to the printer.

The following table lists the driver color correction settings with their corresponding utility files and front panel settings.

Which color correction to use

If you plan to print colors from an application with this color correction selected in a driver **Then print the chart with the corresponding color correction set either with a utility file downloaded to the printer, or selected from the printer's front panel**

Driver Color Correction selection	PC utility file name	Printer's front panel selection (TekColor Corrections menu)
Simulate Display	<i>DISPLAY.PS</i>	<i>Display</i>
Vivid Color	<i>VIVDCOLR.PS</i>	<i>Vivid Color</i>
Use Printer Setting	(any color correction utility file)*	(any front panel color setting)*
Commercial Press	<i>COMRCIAL.PS</i>	<i>Commercial</i>
Euroscale Press	<i>EUROSCAL.PS</i>	<i>Euroscale</i>
SWOP Press	<i>SWOPRESS.PS</i>	<i>SWOP</i>
SNAP Press	<i>SNAPRESS.PS</i>	<i>SNAP</i>
None	<i>NOCORECT.PS</i>	<i>None</i>

*Use the same color correction to print the chart and later to print the colors from an application.

Printing the color charts

- 1 See [Installing the files](#) to locate the color sampler charts.
- 2 See [Setting up the printer](#) to load media.
- 3 Decide which color correction you need to use; see [Important preparations](#) for details.

If you are selecting a color correction from the printer's front panel

Use the *TekColor Corrections* menu.

If you need to download a utility file

- **PC users:** Use the DOS **COPY** command to send the file to the printer. (Windows 3.1 users can also use the **Copy** command in the **File Manager**.)
- **Workstation users:** Send a color correction file to the printer as you would any PostScript file.

- 4 Print a color sampler chart using one of the following methods:
 - **PC users:** Use the DOS **COPY** command to send the file to the printer. (Windows 3.1 users can also use the **Copy** command in the **File Manager**.)
 - **Workstation users:** Send the file to the printer as you would any PostScript file.
- 5 Select colors within an application using the colors on the chart.

- 6 Print your document using one of the following methods:
- **If you are printing from a supported driver:** Print your document using a supported printer driver (in Windows 95 or Windows 3.1) with the same color correction option selected in the driver that you used with a downloaded utility file or on the front panel to print the chart. Any other color correction selection in the driver can cause the colors to print differently.
 - **If you are not using a supported driver:** Print your document with the same downloaded utility file or front panel color correction you used to print the chart. Any other color correction selection can cause the colors to print differently.

Tektronix

COLOR MATCHING

Phaser[®] 600 Wide-Format Color Printer

Select your computer type

Click on the following topics for more information:

- [Using ColorSync on a Macintosh](#)
- [Using host color correction in Windows 95](#)

Using ColorSync on a Macintosh

ColorSync 2.0 is a color matching system that attempts to match the screen's colors to the printer's colors. The software for the Phaser 600 printer includes a printer profile that contains specific color information required by ColorSync.

ColorSync adjusts an image's colors on the computer. The TekColor color corrections adjust an image's colors in the printer. You should use only one method of color adjusting at a time, or you may get unexpected results. For more information on color matching options, see [Color corrections — making the best selection.](#)

To use ColorSync color matching, you need to do the following:


- 1** Use the installer application on the printer's CD-ROM to install the printer's software; see [Macintosh software](#) for instructions. Either select **Easy Install**, or in the **Custom Install** window, select the following items:
 - Either the *Adobe PSPrinter Driver* or the *LaserWriter 8.x Driver*
 - The *Printer Descriptions* option
 - The *ColorSync Profile* option.
- 2** Set up the driver:
 - a** Open the **Chooser** from the Apple menu.
 - b** Select the LaserWriter 8.x driver or the Adobe PSPrinter driver.
 - c** Select your printer in the list.
 - d** Click the **Setup** button.

- e The correct PPD file should be selected automatically.

If the PPD file is not selected automatically, the Printer Descriptions dialog box opens showing the location of the PPD files you installed in Step 1. Select one of the following *PPD* files:

- Use the *TKPH6001.PPD* file with the standard version of the printer.
- Use the *TKP600P1.PPD* file with the printer's extended features option.

N O T E

If you are not sure which printer configuration you have, press and hold down the  button on the printer's front panel. Printer information appears on the lower line of the display.

- f Click the **Select** button.
- g Click **OK**, then close the **Chooser**.

- 3 From the **Apple** menu, select **Control Panels**.
- 4 Select **ColorSync System Profile**, and select the profile for your monitor. Close the Control Panel.
- 5 Select **Print** from the **File** menu.
- 6 In the **Print** dialog box, click **Options**.
- 7 In the **Print Options** dialog box, make the following selections:
 - a In the **Print** pop-up menu, select one of the following:
 - ColorSync Color Matching:** Color conversions are done by the computer.
 - PostScript Color Matching:** Color conversions are done by the printer; this selection has a longer processing time.
 - b Select your printer in the **Printer Profile** pop-up menu.
 - c Select **None** in the **Color Corrections** pop-up menu.
 - d Click **OK**.

8 Click **Print** in the **Print** dialog box.

N O T E



If printed colors are not what you expected, refer to [Printing: Beyond the Basics](#) for more information about color.

Using host color correction in Windows 95

NOTE



Host color correction is available only with Windows 95.

Color correction from the host (your computer) attempts to match the screen's colors to the printer's colors. The software for the Phaser 600 printer includes a profile that contains specific color information required by the host color correction system.

You can adjust an image's colors on the computer, or use the TekColor color corrections to adjust an image's colors in the printer. You should use only one color correction method at a time, or you may get unexpected results.

To use host color correction, do the following steps:

- 1** Refer to [PC/Windows software](#) for instructions on installing a PostScript printer driver for Windows 95. The printer's color profile is automatically installed with a driver.
- 2** In the **Printers** window, move the cursor over the Phaser 600 printer icon, and click the right mouse button.
- 3** In the menu that appears, click **Properties**; the **Properties** dialog box appears.
- 4** Click the **Graphics** tab.
- 5** In the **Color Control** field, select the **Use image color matching** option, then click the **Choose image color matching method** button.
- 6** In the **Image Color Matching** dialog box, select **Perform image color matching on the host**, and click **OK**.

- 7 Click the **Device Options** tab to see the following options:
- 8 Highlight **Color Correction** in the **Printer features** field.
- 9 Select **None** in the **Change setting for: Color Correction** field.
- 10 Click **OK** when finished.

Tektronix

USING PANTONE® COLOR FILES

Phaser® 600 Wide-Format Color Printer

Pantone overview

N O T E



For the latest information on color libraries, call Tektronix Customer Support in the U.S. and Canada at **1-800-835-6100**. Outside the U.S. and Canada, contact your local Tektronix reseller.

The Pantone files for your printer include color library files for use with specific applications, and a PANTONE Color sampler chart.

Click on the following topics for more information:

- [Installing Pantone files](#)
- [Using the PANTONE Color templates](#)
- [Printing the PANTONE Color sampler chart](#)
- [Printing Pantone Colors from an application](#)

Installing Pantone files

- [Installing the Macintosh files](#)
- [Installing the PC files](#)

Installing the Macintosh files

The PANTONE Color files are available on the printer's CD-ROM.

- 1 From the printer's CD-ROM, use the Installer application to install a printer driver, such as the Adobe PSPrinter driver, **and** the *Pantone Files* item in the Custom Install window. See [Macintosh software](#) for details.

If you are going to be printing the entire PANTONE Color sampler chart, also install the *Printer Utilities* item in the Custom Install window.

If you are going to be viewing and printing selected pages of the PANTONE Color sampler chart, also install the *Acrobat Reader* from the Custom Install window.

- 2 Locate the files in the *Pantone Files* folder, inside the *PhaserTools* folder created on your hard disk by the installer application.
- 3 Click [Pantone overview](#) to return to the main topics list.

Installing the PC files

The PANTONE Color files are available on the Phaser 600 printer's CD-ROM and on the Printer Software for Windows diskette.

- 1 From the printer's CD-ROM or diskette, use the Installer application to install the *Pantone Files* item in the **Custom Install: Utilities** window. See [PC/Windows software](#) for details.

If you are going to be printing the entire PANTONE Color sampler chart, also install the *Printer Utilities* item in the **Custom Install: Utilities** window.

If you are going to be viewing and printing selected pages of the PANTONE Color sampler chart, also install the *Acrobat Reader* from the **Custom Install: Utilities** window.

- 2 Locate the files in the *PANTONE* subdirectory, inside the *PHSRTOOL* directory created on your hard disk by the installer application.
- 3 Click on the following topics for more information:
- 4 Click [Pantone overview](#) to return to the main topics list.

Using the PANTONE Color templates

- [Using the Macintosh templates](#)
- [Using the PC library files](#)

Using the Macintosh templates

Click on the following topics for more information:

- [Adobe Illustrator 3.0 \(Macintosh\)](#)
- [Adobe Illustrator 5.0 \(Macintosh\)](#)
- [Aldus FreeHand 4.0 \(Macintosh\)](#)
- [Aldus PageMaker 5.0 \(Macintosh\)](#)
- [Adobe PageMaker 6.0 \(Macintosh\)](#)

Click [Pantone overview](#) to return to the main topics list.

Adobe Illustrator 3.0 (Macintosh)

The *PANTONE® Phaser 600.ai* file is used by the application to properly specify PANTONE Colors for the Phaser 600 printer.

- 1 See [Installing the Macintosh files](#) if you haven't already installed the files.
- 2 Locate the *PANTONE® Phaser 600.ai* file in the *Pantone Files* folder, inside the *PhaserTools* folder on your hard disk.
- 3 Drag the *PANTONE® Phaser 600.ai* file to the *Illustrator* application folder on your hard disk.
- 4 Use this file as a template to create documents for printing.

Adobe Illustrator 5.0 (Macintosh)

The *PANTONE® Phaser 600.ai* file is used by the application to properly specify PANTONE Colors for the Phaser 600 printer.

- 1 See [Installing the Macintosh files](#) if you haven't already installed the files.
- 2 Locate the *PANTONE® Phaser 600.ai* file in the *Pantone Files* folder, inside the *PhaserTools* folder on your hard disk.
- 3 Drag the *PANTONE® Phaser 600.ai* file to the *Illustrator* application folder on your hard disk.
- 4 Start Illustrator.
- 5 Choose **Import Styles** from the **File** menu in Illustrator and import the *PANTONE® Phaser 600.ai* file.

Aldus FreeHand 4.0 (Macintosh)

The *PANTONE® Phaser 600.acf* file is used by the application to properly specify PANTONE Colors for the Phaser 600 printer.

- 1 See [Installing the Macintosh files](#) if you haven't already installed the files.
- 2 Locate the *PANTONE® Phaser 600.acf* file in the *Pantone Files* folder, inside the *PhaserTools* folder on your hard disk.
- 3 Place the *PANTONE® Phaser 600.acf* file in the *Color* folder, in the *Aldus* folder, inside the *System Folder*.
- 4 Start FreeHand.
- 5 From the **Colorlist** window choose **Options, Import** and select *PANTONE® Phaser 600.acf*.

Aldus PageMaker 5.0 (Macintosh)

The *PANTONE® Phaser 600.acf* file is used by the application to properly specify PANTONE Colors for the Phaser 600 printer.

- 1 See [Installing the Macintosh files](#) if you haven't already installed the files.
- 2 Locate the *PANTONE® Phaser 600.acf* file in the *Pantone Files* folder, inside the *PhaserTools* folder on your hard disk.
- 3 Place the *PANTONE® Phaser 600.acf* file in the *Color* folder, in the *Aldus* folder, inside the *System Folder*.
- 4 Start PageMaker.
- 5 Choose **Element, Define Colors, New, Libraries**, then select *PANTONE® Phaser 600.acf*.

Adobe PageMaker 6.0 (Macintosh)

The *PANTONE® Phaser 600.acf* file is used by the application to properly specify PANTONE Colors for the Phaser 600 printer.

- 1 See [Installing the Macintosh files](#) if you haven't already installed the files.
- 2 Locate the *PANTONE® Phaser 600.acf* file in the *Pantone Files* folder, inside the *PhaserTools* folder on your hard disk.
- 3 Place the *PANTONE® Phaser 600.acf* file in the *Color* folder, in the *RSRC* folder, inside the *Adobe PageMaker 6.0* folder.
- 4 Start PageMaker.
- 5 Choose **Element, Define Colors, New, Libraries**, then select *PANTONE® Phaser 600.acf*.

Using the PC library files

Click on the following topics for more information:

- [Adobe Illustrator 3.0 and 4.02 \(PC\)](#)
- [Aldus PageMaker 5.0 \(PC\)](#)
- [CorelDRAW! \(PC\)](#)

Click [Pantone overview](#) to return to the main topics list.

Adobe Illustrator 3.0 and 4.02 (PC)

The *TEK_600.AI* file lets you customize PANTONE Colors for Adobe Illustrator and a Phaser 600 printer. This file is application-specific and printer-specific.

- 1 See [Installing the PC files](#) if you haven't already installed the files.
- 2 Place the *TEK_600.AI* file in Adobe Illustrator's *Color* directory.
- 3 Start the Illustrator application.
- 4 Open the file or image you want to use.
- 5 From the **File** menu, select the **Open** command.
- 6 In the dialog box that appears, locate the directory and file location of the *TEK_600.AI* file, and open the file.
- 7 When you are working on an image, use the **Paint** menu and either the **Paint Style** or **Custom Color** commands to select PANTONE Colors.

Aldus PageMaker 5.0 (PC)

The *TEK_600.ACF* file is used by the application to properly specify PANTONE Colors for the Phaser 600 printer.

- 1 See [Installing the PC files](#) if you haven't already installed the files.
- 2 Place the *TEK_600.ACF* file in the *USEENGLISH\COLOR* directory in the *Aldus* application directory.
- 3 Start PageMaker.
- 4 Choose **Element, Define Colors, New, Libraries**, then select the Phaser 600 Pantone Library.

CorelDRAW! (PC)

The *TEK_600.PAL* file is used by the CorelDRAW! application to properly specify PANTONE Colors for a Phaser 600 printer. This file is application-specific and printer-specific.

- 1 See [Installing the PC files](#) if you haven't already installed the files.
- 2 Place the *TEK_600.PAL* file in the Corel application's directory.
- 3 Open CorelDRAW!.
- 4 Open the document you want to work in.
- 5 Select the item you want filled with a PANTONE Color, then select the **Fill tool** icon (paint bucket).
- 6 Select the **Fill tool** icon again, then select the **Open** button under **Palette**.
- 7 In the dialog box under **Path**, specify the location of the *TEK_600.PAL* file.
- 8 Under **Files**, select the *TEK_600.PAL* file and select the **Load** button.

Printing the PANTONE Color sampler chart

Use the PANTONE Color sampler chart for your printer to select colors within an application that allows you to specify PANTONE Colors. For more information on using PANTONE Colors, see the related topics on the Tektronix World Wide Web server at http://www.tek.com/Color_Printers/.

There are two ways to print the PANTONE Color sampler chart for your Phaser 600 printer:

- Open the *PANTONE® Phaser 600.pdf (PANT600.PDF)* file in Adobe's Acrobat Reader application, and print the pages you want:
[Printing individual pages from Acrobat](#)
- Download the *PANTONE® Phaser 600.ps (PANT600.PS)* file to the printer to print the entire sampler chart (46 pages in length):
[Printing the entire chart](#)

NOTE



Use the **None** color correction in a driver, or the *No Color Correction* downloadable utility file, or **TekColor:None** on the printer's front panel, when printing the PANTONE Color sampler chart or when printing PANTONE Colors from an application. Using any other color correction will cause PANTONE Colors to print incorrectly.

Printing individual pages from Acrobat

You can open the *PANTONE® Phaser 600.pdf* (*PANT600.PDF*) file in Adobe's Acrobat Reader application, and print just the pages you want. Make sure you print on the chart on the same media you will be using for final prints. For best results, use the roll paper supplied by Tektronix.

- [Printing from Acrobat \(Macintosh\)](#)
- [Printing from Acrobat \(PC\)](#)

Click [Pantone overview](#) to return to the main topics list.

Printing from Acrobat (Macintosh)

- 1** When you install the *Pantone Files* from the printer's CD-ROM, also install the *Acrobat Reader Alias* from the Custom Install window; see [Installing the Macintosh files](#) for instructions.
- 2** Locate the *Acrobat Reader Alias* in the *PhaserTools* folder on your hard disk, and double-click the alias; the original source on the printer's CD-ROM opens.
- 3** Follow the on-screen instructions to install Acrobat Reader onto your hard disk.
- 4** Once Acrobat Reader is installed, locate the *PANTONE® Phaser 600.pdf* file in the *Pantone Files* folder, inside the *PhaserTools* folder on your hard disk. Double-click the file to launch Acrobat Reader and open the file.

- 5 View and print pages from the color sampler chart file as desired. You can manually feed Letter-size media or use roll media.

If you are printing from a supported driver (such as Adobe PSPrinter or Phaser 600 GX):

Print your document with the following selections. Any other selections in the driver will cause the PANTONE Colors to print differently.

- Set **Media size** to **Letter**.
- Set **Color Correction** to **None**.
- Set the **Print Quality** to **Standard**.
- Set **Fusing** to **Cold**.
- For roll media:
 - Set **Page Rotation** to **90** degrees to save paper.
 - Set **Cut Media** to **After each job** to print the pages in a continuous banner.
 - Set **Advance Media** to **Never** to save paper.

If you are not using a supported driver:

Print your document with the following front panel selections or downloadable utility files. Any other selections will cause the PANTONE Colors to print differently.

- Set **Media size** to **Letter** (in a driver).
- Set **Color Correction** to **None** (front panel or utility file).
- Set the **Print Quality** to **Standard** (front panel or utility file).
- Set **Fusing** to **Cold** (front panel or utility file).
- For roll media, set **Page Rotation** to **90** degrees (utility file only).
- For roll media, set **Media Cutting: per Job** to print the pages in a continuous banner (front panel or utility file).

Printing from Acrobat (PC)

You can open the *PANT600.PDF* file in Adobe's Acrobat Reader application, and print just the pages you want.

- 1** See [Installing the PC files](#) if you haven't already installed the files.
- 2** If you don't already have a copy of Acrobat Reader, install the application from the printer's CD-ROM; see [Installing the PC files](#).
- 3** Once Acrobat Reader is installed, locate the *PANT600.PDF* file in the *PANTONE* directory on either the printer's CD-ROM or the Printer Software for Windows diskette. Double-click the file to launch Acrobat Reader and open the file.

- 4 View and print pages from the color sampler chart file as desired. You can manually feed Letter-size media or use roll media.

If you are printing from a supported driver (such as Adobe PS3 for Windows 3.1 or the Windows 95 PostScript driver):

Print your document with the following selections. Any other selections in the driver will cause the PANTONE Colors to print differently.

- Set **Media size** to **Letter**.
- Set **Color Correction** to **None**.
- Set the **Print Quality** to **Standard**.
- Set **Fusing** to **Cold**.
- For roll media:
 - Set **Page Rotation** to **90** degrees to save paper.
 - Set **Cut Media** to **After each job** to print the pages in a continuous banner.
 - Set **Advance Media** to **Never** to save paper.

If you are not using a supported driver:

Print your document with the following front panel selections or downloadable utility files. Any other selections will cause the PANTONE Colors to print differently.

- Set **Media size** to **Letter** (in a driver).
- Set **Color Correction** to **None** (front panel or utility file).
- Set the **Print Quality** to **Standard** (front panel or utility file).
- Set **Fusing** to **Cold** (front panel or utility file).
- For roll media, set **Media Cutting: per Job** to print the pages in a continuous banner (front panel or utility file).
- Set **Page Rotation** to **90** degrees (utility file only).

Printing the entire chart

You can download the *PANTONE® Phaser 600.ps (PANT600.PS)* file to the printer. This is a PostScript file that contains the necessary color correction, print quality, and media size information. Make sure you print the chart on paper for best results. The file prints 46 Letter-size pages; you can manually feed Letter-size paper to print this chart or use roll media.

- [Printing the entire chart \(Macintosh\)](#)
- [Printing the entire chart \(PC\)](#)

Click [Pantone overview](#) to return to the main topics list.

Printing the entire chart (Macintosh)

NOTE



If you are using QuickDraw GX, you can print the PANTONE Color sampler chart from the Tektronix Phaser 600 GX printer driver; see [Downloading printer utilities](#) for instructions.

- 1 See [Installing the Macintosh files](#) if you haven't already installed the files.
- 2 Locate the files in the *PhaserTools* folder on your hard disk.
- 3 Select the appropriate printer in the **Chooser**.
- 4 To print the chart, do the following:
 - a Locate the *LaserWriter Utility* in the *PhaserTools* folder on your hard disk, and double-click its icon to start the application.
 - b Select **Download PostScript File** from the **Utilities** menu.
 - c Select the *PANTONE® Phaser 600.ps* file, and click **Open**.
(This file was installed in the *Pantone Files* folder, inside the *PhaserTools* folder.)

- d** At the prompt `Save PostScript output as:` you are asked for a file name for saving printer output. Use the default name given in the edit box or type in a new name. Then click **Save** to send the file to the printer.

- e** If no output is returned by the printer, the *LaserWriter Utility* displays a dialog box; click **OK** to continue.

Printing the entire chart (PC)

- 1 See [Installing the PC files](#) if you haven't already installed the files.
- 2 Print the PANTONE Color chart using one of the following methods:
 - **PC users:** Use the DOS **COPY** command to send the file to the printer. (Windows 3.1 users can also use the **Copy** command in the **File Manager**.)
 - **Workstation users:** Send the file to the printer as you would any PostScript file.

Printing Pantone Colors from an application

- [Printing Pantone Colors from a Macintosh application](#)
- [Printing PANTONE Colors from a PC/Windows application](#)

Click [Pantone overview](#) to return to the main topics list.

Printing Pantone Colors from a Macintosh application

- 1 Select PANTONE Colors within an application using the colors on the chart.
- 2 Print your document using one of the following methods:

If you are printing from a supported driver (such as Adobe PSPrinter or Phaser 600 GX):

Print your document with the following selections. Any other selections in the driver will cause the PANTONE Colors to print differently.

- Set **Color Correction** to **None**.
- Set the **Print Quality** to **Standard**.
- Set **Fusing** to **Cold**.

If you are not using a supported driver:

Print your document with the following front panel selections or downloadable utility files. Any other selections will cause the PANTONE Colors to print differently.

- Set **Color Correction** to **None**.
- Set the **Print Quality** to **Standard**.
- Set **Fusing** to **Cold**.

Printing PANTONE Colors from a PC/Windows application

- 1 Select PANTONE Colors within an application using the colors on the chart.
- 2 Print your document using one of the following methods:

If you are printing from a supported driver (such as Adobe PS3 for Windows 3.1 or the Windows 95 PostScript driver):

Print your document with the following selections. Any other selections in the driver will cause the PANTONE Colors to print differently.

- Set **Color Correction** to **None**.
- Set the **Print Quality** to **Standard**.
- Set **Fusing** to **Cold**.

If you are not using a supported driver:

Print your document with the following front panel selections or downloadable utility files. Any other selections will cause the PANTONE Colors to print differently.

- Set **Color Correction** to **None** (front panel or utility file).
- Set the **Print Quality** to **Standard** (front panel or utility file).
- Set **Fusing** to **Cold** (front panel or utility file).



USING THE PHASERPRINT™ PLUG-IN FOR PHOTOSHOP

Phaser® 600 Wide-Format Color Printer

Overview

The PhaserPrint™ plug-in operates within the Photoshop application to improve the image data transfer time from your computer to your printer. The Phaser 600 printer's CD-ROM and the printer software diskette contain the PhaserPrint plug-in file for use with Photoshop, and Phaser 600 printers, and other supported Tektronix printers.

PhaserPrint software produces correct output only on supported printers. If you use this plug-in with a printer not listed in the PhaserPrint dialog box, the image may be placed incorrectly on the page, or colors may look incorrect, or your file may not print.

Click on the following topics for more information:

- [Compatibility](#)
- [Installing the PhaserPrint plug-in for Photoshop](#)
- [Using the plug-in](#)

Compatibility

PhaserPrint software is compatible with the following computers:

Macintosh

- Photoshop 2.5.1 and higher
- System 7.0 and higher
- The PhaserPrint plug-in also works under QuickDraw GX if your default desktop printer refers to a printer supported by the PhaserPrint software.

Windows

- Photoshop 3.0 and higher
- Windows 95, Windows NT, or Windows 3.1 (with Win 32s installed)
- (optional) TCP/IP support requires proper installation of IP networking software and cards

Installing the PhaserPrint plug-in for Photoshop

Click on the following topics for more information:

- [Installing the plug-in for Macintosh](#)
- [Installing the plug-in for Windows](#)

Installing the plug-in for Macintosh

- 1 See [Macintosh software](#) to install the printer's software.
 - From the printer's CD-ROM, or Printer Software Installer for Macintosh diskette, select **Easy Install** to automatically install the printer's software.

Or,

 - From the printer's CD-ROM, select the **PhaserPrint Photoshop Plug-in** in the **Custom Install** window.
- 2 The plug-in is automatically installed in the *Acquire/Export* folder, inside the *Plug-ins* folder, in the Photoshop application folder, on your computer's hard disk.

Installing the plug-in for Windows

Use the installer application on the printer's CD-ROM to install the PhaserPrint plug-in.

- 1 Insert the printer's CD-ROM into your computer's CD-ROM drive.
- 2 Do one of the following depending on the version of Windows you are using:

Windows 95 and Windows NT 4.0

1. Click the **Start** icon in the taskbar on your screen. In the menu that appears, click **Run**.
2. In the **Run** window, type in the CD-ROM drive location and the PHOTOSHP directory, followed by the file name *SETUP.EXE*.
For example:

D:\PHOTOSHP\SETUP.EXE

3. Click **OK**.

Windows 3.1 and Windows NT 3.51

1. In the **Program Manager**, select **Run** from the **File** menu.
2. At the **Command Line**, type in the CD-ROM drive location and the *PHOTOSHP* directory, followed by the file name *SETUP.EXE*.
For example:

D:\PHOTOSHP\SETUP.EXE

3. Click **OK**.

- 3 The **Setup** status dialog box appears, followed by the Installer's introductory screen. Click **Next** to continue.
- 4 In the **Tektronix PhaserPrint Setup** information dialog box, click **Next** to install the files.
- 5 The **Setup** status dialog box appears while files are copied to your computer.
- 6 When setup is complete, an **Information** dialog box appears. Click **OK** to finish the installation.

Using the plug-in

Click on the following topics for more information:

- [Starting the PhaserPrint plug-in](#)
- [Selecting options in the PhaserPrint dialog box](#)

Starting the PhaserPrint plug-in

- 1 If you don't already have a Phaser 600 printer selected as the default printer, do the following:
 - **Macintosh:** Open the **Chooser** and select a PostScript driver (such as the Adobe PSPrinter) and your Phaser 600 printer, or select an appropriate QuickDraw GX desktop printer. The PhaserPrint software works like a printer driver, and prints to the printer you selected in the **Chooser**.
 - **Windows:** Select your printer and port within the PhaserPrint software as described later in these instructions.
- 2 Open Photoshop and an image.
- 3 From the **File** menu, highlight **Export** to see the pop-up menu. Select **PhaserPrint** from the list; the **PhaserPrint** dialog box appears.
- 4 In the **Printer** field, select **Phaser 600**.

- PhaserPrint software supports the following image modes selected from Photoshop's **Mode** menu. If you select a mode not listed here, an error message appears and your image is not printed.
 - Bitmap
 - Grayscale
 - Indexed Color
 - RGB Color
 - CMYK Color
 - Lab Color

However, in Photoshop 2.5.1, if you select an image mode not supported by the PhaserPrint software, the following inaccurate error message appears:

Could not complete the "PhaserPrint..." command because the export module does not work with Bitmap images.

The error message does not list the specific unsupported color mode you selected.

Selecting options in the PhaserPrint dialog box

Click on the following topics for more information:

- [Number of copies](#)
- [Print using \(Macintosh\)](#)
- [Print using \(Windows\)](#)
- [Printer model](#)
- [Media size](#)
- [Color correction](#)
- [Quality](#)
- [Fusing](#)
- [Advance media](#)
- [Cut media](#)
- [Page rotation](#)
- [Rendering intent](#)
- [Compress image data](#)
- [Fast preview](#)
- [Manual feed](#)
- [Print preview](#)
- [Mirror print](#)
- [Center page](#)
- [No margins](#)
- [Image smoothing](#)
- [Color control strip](#)
- [Stylized representation of the page](#)
- [Scaling an image](#)
- [Landscape orientation](#)
- [Center images](#)
- [Replicate images](#)
- [Image size](#)
- [Image separation](#)
- [Number of images](#)
- [Image layout](#)
- [Media size](#)
- [Show color preview of image](#)

Number of copies

Enter the number of copies to print, from 1 to 1000.

Print using (Macintosh)

The **Print using** pop-up menu allows you to choose between printing an image or saving the image to disk.

- **AppleTalk:** This option prints the image to the printer currently selected in the **Chooser**. When you select this option, The **Printer model** field displays the name of the printer currently selected in the **Chooser**. If the selected printer is not a PostScript printer, this option is unavailable (grayed-out).
- **PostScript file:** This option lets you save an image to disk as a PostScript Level 2 file. When you click the **Save** button, another dialog box appears allowing you to choose a new or existing file for saving the PostScript code. Also, when you select this option, the **File format** pop-up menu becomes available. This pop-up menu has two options: *ASCII base-85* and *Binary*.

ASCII base-85. This option encodes image data using an ASCII-85 filter during file output, making the resulting PostScript file portable so it can be downloaded through interface ports that don't support binary data. Note that the file may be up to 25% larger.

Binary. This option outputs image data in binary format.

Print using (Windows)

The **Print using** pop-up menu allows you to choose between printing an image or saving the image to disk. It has from two to four options, depending on your system configuration:

- **TCP/IP**

This option is available if a TCP/IP stack is installed and running. After you select this option, you can choose a printer from the **Printer model** pop-up menu. You can add printers to the list, delete printers from the list, as well as edit a printer's configuration.

This is the fastest printing method and almost always prints your jobs in much less time than the Parallel Port or Printer Driver methods. This is the recommended method if it is available for the printer you are using.

- **Parallel Port**

This option is available if you have any parallel printers installed in your PC. After you select this option, you can choose the desired printer port from the **Port Name** pop-up menu.

■ **Printer Driver**

This option prints the image to the selected printer. After you select this option, you can choose a printer from the **Driver name** pop-up menu. When you print from the main Photoshop window, the PhaserPrint plug-in prints the image on this printer.

■ **PostScript file**

This option lets you save an image to disk as a PostScript Level 2 file. When you click the **Save** button, another dialog box appears allowing you to choose a new or existing file for saving the PostScript code.

When you select this option, the **File format** pop-up menu becomes available. This pop-up menu has two options: *ASCII base-85* and *Binary*.

ASCII base-85. If you choose this option, the image data is encoded using an ASCII-85 filter during file output, making the resulting PostScript file portable so it can be downloaded through interface ports that don't support binary data. Note that the file may be up to 25% larger.

Binary. If this you choose this option, image data is output in binary format.

Printer model

- The **Printer model** pop-up menu lists the printers supported by the PhaserPrint software.
- Select your printer model (**Phaser 600**) so that PhaserPrint can display the correct options for that printer.

Media size

- Select a paper size from this pop-up menu. See [Page size, print area, and margins](#) for a list of media sizes.
- Paper sizes are printer-specific. Select your printer in the **Printer model** field before selecting a paper size.

Color correction

- Select from the options in the pop-up menu.
- If **Lab** is the selected **Mode** in Photoshop, then the Color Corrections are not available.
- If **RGB** is the selected **Mode** in Photoshop, then the **Calibrated RGB** option is also available.

N O T E



Calibrated RGB and Lab modes take longer to print than other modes because the printer must convert CIE colors to RGB or CMYK colors for printing.

- See [Color corrections — making the best selection](#) for details on the following color corrections:
 - None
 - Vivid Color
 - Simulate Display
 - SNAP Press
 - SWOP Press
 - Euroscale Press
 - Commercial Press
 - Monochrome
 - Use Printer Setting
 - Calibrated RGB*

* RGB mode images are printed using the Calibrated RGB color space as determined by Photoshop's Monitor Setup in order to match the currently selected monitor's colors to the printer's colors. This option is unavailable if the image is not RGB.

Quality

- Select from the options in the pop-up menu.
- See [Print quality modes](#) for details on the following print quality modes:
 - **Standard**
 - **Enhanced**

Fusing

- Select from the options in the pop-up menu.
- The Fusing options work on any media type. The default setting is Cold.
 - **None:** Prints may look lighter, with more white paper visible around the printed dots. The inks may be less durable if they are not fused.
 - **Cold:** Flattens the dots, adding dot gain, and making colors look darker. Cold fusing also makes printed colors more resistant to flaking. This mode is optimized for use with the TekColor Color Correction options.
 - **Hot:** Softens the wax and flattens the printed dots. On roll media, Hot overrides the Advance Media setting, and always adds 8.875 inches of blank paper after each page printed.

Advance media

- Select from the options in the pop-up menu.
- The **Advance Media** feature is for use on roll media only. The amount the media is advanced is measured in points; the default is 72 points (one inch). This option is not available if Hot Fusing is selected.
 - **Never:** Prints one page after another without adding extra space between the pages.
 - **After Each Job:** Advances the media a specified distance only after the last page of a job is printed.
 - **After Each Page:** Advances the media a specified distance after each page printed.
- To change the distance or amount the media is advanced, use the PostScript utility file shipped on the printer's CD-ROM or diskettes.

Cut media

- Select from the options in the pop-up menu.
- This feature is for use with roll media only.
 - **Never:** No cut is made after prints are finished.
 - **After Each Job:** The media is cut only after an entire job is printed.
 - **After Each Page:** The media is cut after each page is printed. This is the default mode.

Page rotation

- Select from the options in the pop-up menu.
- This option rotates the page, or image, on the media by the amount specified.
 - **90 Degrees:** Rotates the image left, or counter-clockwise, by 90 degrees.
 - **180 Degrees:** Rotates the image left, or counter-clockwise, by 180 degrees. The image is turned up-side down.
 - **270 Degrees:** Rotates the image left, or counter-clockwise, by 270 degrees.
 - **None:** The image is not rotated. This is the default selection.

Rendering intent

- This option is available in the following cases:
 - If the **Mode** in Photoshop is **RGB**, and you select **Calibrated RGB** as the **Color Correction** in PhaserPrint.
 - If the **Mode** in Photoshop is **Lab**.
- Select from the options in the pop-up menu. See [Using the color rendering intents](#) for details on the following rendering intents:
 - **Absolute Colorimetric**
 - **Relative Colorimetric**
 - **Saturation**
 - **Perceptual**
 - **Use Printer Setting** (Uses the printer's default setting.)

N O T E



Calibrated RGB and Lab modes take longer to print than other modes because the printer must convert CIE colors to RGB or CMYK colors for printing.

Compress image data

- Check the box either **on** or **off**.
- Use this option to compress image data so less data needs to be sent to the printer.
- This option is useful if your network connection is slow, for example, if you are connected to a very busy network or if you are using LocalTalk or a parallel port. **For fast networks, printing may be faster without using this option.**
- The default for this option is **on**.

Fast preview

- Check the box either **on** or **off**.
- This option produces a quick print of your image with slightly reduced image quality.
- This option reflects the color correction you selected for printing your image.
- For the fastest printing, use the **None** color correction option.
- The default for this option is **off**.

Manual feed

- Check the box either **on** or **off**.
- Check this box on when you are using manually fed media.
- This option uses the current settings for Media size, Landscape orientation, and Quality.
- The default is **off**.
- This option must be reselected each time you want to print on manually fed media.

Print preview

- Check the box either **on** or **off**.
- The Print Preview option is available only with the printer's Extended Features.
- This option lets you print a small “thumbnail” version of the first page of your print job.
- The image is reduced by one-fifth in both height and width, or to B-size (11 x 17 inches), whichever is smaller.
- This preview option saves on the amount of media and the print time that would normally be required for printing the same image at full size.
- This option is best suited for roll media, but can also be used with cut-sheet media.
- The printable area is indicated around the reduced image with dashed black lines, showing page, or image, placement.

- Once the preview image is printed, the front panel displays the **Print Preview** message, with a choice of three buttons. There is a default timeout of 15 minutes while the printer waits for you to press one of the buttons. If the time runs out before a button is pressed, the job is cancelled and the printer is returned to the ready state.
- Pressing **Cancel** ends the Print Preview, returning the printer to the ready state.
- Pressing **Pause** enters a Pause menu, allowing you to print the reduced image at a different scale.
- Pressing **Print** prints the full size image and any subsequent pages of the print job.
- The default for this option is **off**.

Mirror print

- Check the box either **on** or **off**.
- This option inverts an image left-to-right before printing.
- The default selection is **off**.

Center page

- Check the box either **on** or **off**:

- **On:**

For roll media, the page, or image, is centered on the media from side-to-side.

For cut-sheet media, the image is centered from side-to-side and from top-to-bottom.

- **Off:**

Uses the default setting in the printer, either None or a setting made with a PostScript utility file shipped on the printer's CD-ROM.

- The default for this option is **off**.

No margins

- Check the box either **on** or **off**.
- Check this box on to specify zero margins for the current page size.
- Use this option with roll media.
- The default is **off**.

Image smoothing

- Check the box either **on** or **off**.
- The Image Smoothing option produces smooth color detail when printing bitmapped images.
- This option is useful when bitmapped images are enlarged to print on large media.
- This option improves some low resolution images by averaging between the pixels.
- The default for this option is **off**.

Color control strip

- Check this option either **on** or **off** to print a band of colors along the bottom edge of your prints. The default is **off**.
 - The colors are the printer's 8 primary and secondary colors: cyan, magenta, yellow, black, red (magenta and yellow), green (cyan and yellow), blue (cyan and magenta), and black (cyan, magenta, and yellow).
 - The colors are printed at 100 percent saturation or brightness, and also at 50 percent.
 - The colors reflect the current color correction or PhaserMatch custom profile selected in the driver.
- The printed band also includes information about the file, such as File (file name), Color Profile (color correction or PhaserMatch custom profile), and the Date/Time of printing.
- Use this option to check the consistency of printed colors between prints made on the same printer, or between prints made on more than one of the same type or model of printer.

Stylized representation of the page

- The area in the lower left of the dialog box is a stylized representation of the page as it would look when printed using the current selections in the **Scale to fit**, **Printer model**, **Media size**, **Landscape orientation**, **Replicate images**, **Center images**, and **Image separation** options. When you change any of these selections, the representation of the page is redrawn to reflect the new selection.
- If **Show color preview of image** is on, an approximate color image is displayed.

Scaling an image

■ **Scale to fit**

- Click this check box to scale the image to the largest size that will fit the image area of the currently selected page size or orientation.
- This option automatically updates the value in the **Scale** field.

■ **Scale**

- Type in the percentage the image should be scaled, from 10 percent to 2000 percent.
- Use this option with the **Replicate images** option to produce multiple copies of an image on a single page.

■ **Alert message**

The following message appears in the dialog box whenever a scaled image will not fit within the image area of the currently selected page size or orientation option:

Image clipping will occur.

Landscape orientation

- Check this box to print the image horizontally (landscape) on the page. Leave this box unchecked to print the image vertically (portrait) on the page.
- Refer to the stylized representation of the page, in the lower left corner of the dialog box, to see how your selection will look when printed.

Center images

- Check this box to center the image in the image area of the page.
- If this box is not checked, the lower left corner of the image is aligned with the lower left corner of the printable area of the page.
- If the **Center images** box is checked *and* the **Replicate images** box is checked, the set of replicated images are centered in the image area of the page.

Replicate images

- Check this box to fill the image area of the page with as many copies of the image as will fit.
- The size of each replicated image is determined by the setting in the **Scale** text box.
- If the size of each replicated image (shown as black rectangles in the stylized representation of the page) is too small to display, the total image area of the printed page is shown as a single gray rectangle.

Image size

- This field reflects the dimensions, in inches or millimeters, of the image.
- If the value in the **Scale** box is out-of-range, the image dimensions are displayed with question marks.

Image separation

- This option is only available if the **Replicate images** box is checked.
- Type in an amount, in inches or millimeters, to specify the amount of separation between each replicated image.
- A larger amount reduces the number of images that can be printed at one time.
- The minimum allowed separation value is **0** inches.
- The maximum separation value is **4** inches (or **100** mm).
- The default separation value is **0.125** (one-eighth) inches (or **3.175** mm).
- Valid characters for this field are **0** to **9** and a period (or decimal point).

- As you type in a value, the stylized representation of the page, and the **Number of images** and **Image layout** values, are dynamically updated. If the value entered in the **Image separation** field is out-of-range, the values in these other fields are replaced by question marks, and no images are shown in the stylized representation of the page. If the value is out-of-range, and you click the **Print** or **Save** button, the following alert is displayed:

The value for Image separation is out of range. It will be replaced with the closest allowed value.

Number of images

- This field displays the number of scaled images that will fit in the image area of the currently selected **Media size** and **Landscape orientation** options.
- The **Number of images** reflects the current **Image separation** value.
- If the **Replicate images** box is not checked, this number is set to **1**.
- If either of the **Scale** or **Image separation** values are out-of-range, a question mark is displayed.

Image layout

- This field shows how the scaled images will fit horizontally and vertically in the image area of the currently selected **Media** and **Landscape orientation** options.
- The **Image layout** reflects the current **Image separation** value.
- If the **Replicate images** box is not checked, this number is set to **1 x 1**.
- If either of the **Scale** or **Image separation** values are out-of-range, question marks are displayed.

Media size

- This field reflects the dimensions, in inches or millimeters, of the selected media size.

Show color preview of image

- This option displays an approximate color image, rather than a black box, in the **Stylized representation of the page** field.
- This option is set to **off** each time you start the PhaserPrint plug-in.



USING THE PHASER 600 GX DRIVER

Phaser[®] 600 Wide-Format Color Printer

If you are using Apple Macintosh QuickDraw GX, use the Phaser 600 GX driver to print to your Phaser 600 printer.

- The Phaser 600 GX driver works with QuickDraw GX and non-QuickDraw GX applications.
- QuickDraw GX does not work with non-QuickDraw GX printer drivers. If you want to print from non-QuickDraw GX applications with a driver such as the LaserWriter 8.x, you must first disable QuickDraw GX; see [Disabling QuickDraw GX](#) for instructions.

Click on the following topics for more information:

- [System requirements](#)
- [Installing the Phaser 600 GX printer driver](#)
- [Creating a desktop printer](#)
- [Setting up unique desktop printers](#)
- [Printing with a desktop printer](#)
- [Setting up a shared printer](#)
- [Printing from QuickDraw GX applications](#)
- [Printing from non-QuickDraw GX applications](#)
- [Viewing printer status](#)
- [Disabling QuickDraw GX](#)

System requirements

NOTE



You must have an optional PhaserShare card installed in the printer before using the installed software.

The Tektronix Phaser 600 GX printer driver requires the following hardware and software:

- An Apple Macintosh II computer, or later
- At least 8 Mbytes of RAM
- QuickDraw GX

Installing the Phaser 600 GX printer driver

Use the installer application on the printer's CD-ROM to install the *Phaser 600 GX* printer driver. See [Macintosh software](#) for instructions. Then, go on to [Creating a desktop printer](#) for instructions on creating a desktop printer.

Creating a desktop printer

QuickDraw GX requires you to create desktop printers for printing. Depending on the type of application you are using, printing is as easy as dragging a document onto a desktop printer icon.

NOTE



If you want to rename the printer listed in the **Chooser**, do so before creating any desktop printers. If you rename the printer in the **Chooser**, any desktop printers referring to that printer will not work, and must be removed to the Trash and recreated. See [Changing the printer's name from a Macintosh](#) for instructions on using the LaserWriter Utility to rename the printer.

- 1 Select **Chooser** from the **Apple** menu.
- 2 Click the **Phaser 600 GX** printer driver icon on the left side of the **Chooser**. A list appears with the printers available on your network. (If the printer driver icon does not appear, **Restart** your Macintosh, and repeat the printer driver installation procedure; also, check the cable connections on your computer and printer.)

- 3 In the **Connect via** field's pop-up menu, select your printer's communication method:
 - The **AppleTalk** option is the standard network connection.
 - The **Servers** option is used to select a shared desktop printer; see [Setting up a shared printer](#) for details.
- 4 Click on your Phaser 600 printer in the list of printers on the right side of the **Chooser**.
- 5 Click the **Create** button to create a desktop printer. An icon of the printer appears on the desktop with the same name as the printer selected in the **Chooser**.
- 6 Close the **Chooser** by clicking its close box.

Setting up unique desktop printers

You can create more than one desktop printer of the same physical printer. Each desktop printer can be set up with different print modes or options and given a descriptive name. This feature makes it easy to print to a specific printer with the options you want already selected. In the illustration below, a desktop printer has been created of a Phaser 600 printer with the **Vivid Color** color correction and the **Paper** media type selections.

- 1 Create a desktop printer; see [Creating a desktop printer](#) for instructions.
- 2 Select (highlight) a desktop printer icon. The **Printing** menu appears in the menu bar at the top of the Macintosh screen.
- 3 Use the **Printer Driver Defaults** command in the **Printing** menu to select options for desktop printers; see [Selecting printing options](#) for details.
- 4 To rename the desktop printer, highlight the icon on the desktop and type a new name. Renaming a desktop printer has no effect on the printer's name in the **Chooser**.

Printing with a desktop printer

If you are using QuickDraw GX applications, do *one* of the following:

- Select any desktop printer in the **Print** dialog box.
- Drag a document onto a desktop printer icon. The application corresponding to the document opens, prints the document, and then quits.

If you are using non-QuickDraw GX applications, do *one* of the following:

- Print to the *default* desktop printer with the **Print** command from the **File** menu.
- Drag a document onto a desktop printer icon. The application corresponding to the document opens, displays the **Print** dialog box, and waits for you to click **Print**. After printing the document, the application quits.

Using the Printing menu

Most of the commands in the **Printing** menu are standard QuickDraw GX driver commands, and are documented by Apple (see the *Macintosh Guide* on-line document for details). The last group of commands in this menu are printer-specific.

Control printing

Use the **Start Print Queue** and **Stop Print Queue** commands in the **Printing** menu to control the print queues on individual desktop printers.

- 1 Select (highlight) a desktop printer icon.
- 2 From the **Printing** menu, select either **Start Print Queue** or **Stop Print Queue**.

Designating a default desktop printer

- 1 Select (highlight) a desktop printer icon.
- 2 From the **Printing** menu, select **Set Default Printer**.
A check-mark appears next to the command, and a bold outline appears around the desktop printer's icon.

Using printing extensions

Use the **Extension Setup** command in the **Printing** menu to specify which third-party printing extensions you want enabled for the currently selected desktop printer. By default, all printing extensions are enabled.

- 1 Select (highlight) a desktop printer icon.
- 2 Select **Extension Setup** from the **Printing** menu.
- 3 Make selections as desired.
- 4 Click **Save**.

Selecting printing options

Use the **Printer Driver Defaults** command in the **Printing** menu to set default options for the selected desktop printer. This dialog box includes such options as the color corrections and print quality modes.

NOTE



The printer defaults dialog box is also available through the **Print** command in the **File** menu for QuickDraw GX applications.

Phaser 600 Defaults	Options		
Color Correction	<ul style="list-style-type: none"> ■ None ■ Vivid Color ■ Simulate Display 	<ul style="list-style-type: none"> ■ SWOP Press ■ Euroscale Press ■ Commercial Press 	<ul style="list-style-type: none"> ■ SNAP Press ■ Monochrome ■ Use Printer Setting
Print Quality	<ul style="list-style-type: none"> ■ Standard 	<ul style="list-style-type: none"> ■ Enhanced 	
Fusing	<ul style="list-style-type: none"> ■ None 	<ul style="list-style-type: none"> ■ Cold 	<ul style="list-style-type: none"> ■ Hot
Advance Media	<ul style="list-style-type: none"> ■ Never 	<ul style="list-style-type: none"> ■ After Each Job 	<ul style="list-style-type: none"> ■ After Each Page
Cut Media	<ul style="list-style-type: none"> ■ Never 	<ul style="list-style-type: none"> ■ After Each Job 	<ul style="list-style-type: none"> ■ After Each Page
Page Rotation	<ul style="list-style-type: none"> ■ None ■ 90 Degrees 	<ul style="list-style-type: none"> ■ 180 Degrees 	<ul style="list-style-type: none"> ■ 270 Degrees
Image Smoothing	<ul style="list-style-type: none"> ■ On 	<ul style="list-style-type: none"> ■ Off 	
Color Control Strip	<ul style="list-style-type: none"> ■ On 	<ul style="list-style-type: none"> ■ Off 	
Print Preview	<ul style="list-style-type: none"> ■ On 	<ul style="list-style-type: none"> ■ Off 	
Mirror Print	<ul style="list-style-type: none"> ■ On 	<ul style="list-style-type: none"> ■ Off 	
Page Centering	<ul style="list-style-type: none"> ■ On 	<ul style="list-style-type: none"> ■ Off 	
Display Manual Feed Dialogs	<p>Check box on to see a dialog box confirming each page you want to print with manual feed. If you check this box on, then go to the Print dialog box to select Use Manual Feed.</p>		

Downloading printer utilities

Use the **Printer Utilities** command in the **Printing** menu to download printer utility files to the selected desktop printer. This command cannot be used on a shared printer, except by the Macintosh hosting the shared printer.

- 1 Select (highlight) a desktop printer icon.
- 2 Select **Printer Utilities** from the **Printing** menu.
- 3 In the **Utility** pop-up menu, select the utility you want downloaded to the printer, then click **OK**. See [Printer utilities](#) for a list of utilities available in this dialog box.
- 4 If you see an alert message, click **OK** or **Cancel** as desired.

Printer utilities

The following utilities can be downloaded to the printer with the **Printer Utilities** command from the **Printing** menu.

- Print Startup Page
- Print Configuration Page
- Print CMYK Sampler
- Print RGB Sampler
- Print HSB Sampler
- Print Fonts Sampler
- Print PANTONE Sampler

Download PostScript files

Use the **Send PostScript File** command in the **Printing** menu to download PostScript files to the selected desktop printer. For example, use this command to download the utility files included on the CD-ROM and diskettes shipped with the printer. This command cannot be used on a shared printer, except by the Macintosh hosting the shared printer.

- 1 Select (highlight) a desktop printer icon.
- 2 Select **Send PostScript File** from the **Printing** menu.
- 3 Select the PostScript file you want to download.
- 4 Click **Open** to send the file to the printer.

Setting up a shared printer

You can share a desktop printer in the same way you share files, folders, or volumes, with the **Sharing** command in the **File** menu. Both the host and client computers must have a copy of the same printer driver.

- 1** Create a desktop printer; see [Creating a desktop printer](#) for instructions.
- 2** Highlight the desktop printer icon you want to share.
- 3** Select **Sharing** from the **File** menu.
- 4** Click the check box to turn on **Share this printer**.
- 5** Click the close box.
- 6** At the alert message, click **Save**.
- 7** The desktop printer's icon changes to reflect the change in status to a shared printer.

Using a shared printer

If you want to use a printer hosted by another user's computer, do the following:

- 1 Open the **Chooser** from the **Apple** menu.
- 2 Click the **Phaser 600 GX** printer driver icon on the left side of the **Chooser**.
- 3 In the **Connect via** field's pop-up menu, select **Servers**.
- 4 The list of printers in the **Chooser** changes to show only shared printers. Click on the shared printer you want to use.
- 5 Close the **Chooser**.

Printing from QuickDraw GX applications

Use the following dialog boxes if you are using QuickDraw GX applications with the Phaser 600 GX driver.

- [Using the Page Setup dialog box](#)
- [Using the Print dialog box](#)

Using the Page Setup dialog box

Select **Page Setup** from the **File** menu, then click the **More Choices** button to see the expanded dialog box.

- **Row of icons:** The scrollable icon list on the left side of the dialog box shows the printing extensions that are available to the printer driver. When selected, the **General** icon displays the normal **Page Setup** options. Select another icon to see a new set of options.

Refer to Apple's QuickDraw GX documentation for instructions on installing printing extensions; refer to [Using printing extensions](#) to use the **Extensions Setup** command in the **Printing** menu to enable installed printing extensions.

- **Paper Type:** This is a list of page sizes available for the selected printer. Refer to [Page size, print area, and margins](#) for details on page size.
- **Orientation** and **Scale:** These are standard driver options described in Apple's documentation.
- **Format for:** This pop-up menu allows you to select a different desktop printer for formatting your document.

Using the Print dialog box

Select **Print** from the **File** menu, then click the **More Choices** button to see the expanded dialog box.

- **Row of icons:** The scrollable icon list on the left side of the dialog box shows the printing extensions that are available to the printer driver. When selected, the **General** icon displays the normal **Print** options. Select another icon to see a new set of options. **Print Time** and **Paper Match** are part of the QuickDraw GX software and are always available.
- The rest of the options in this dialog box are standard driver options described in Apple's documentation.
- **Paper Feed: Manual**
When printing on manually fed media, you need to select **Manual** in this dialog box, *and* select the appropriate **Manual Feed Media** option in the **TekColor** printing extension; see [Using the TekColor printing extension](#) for details.

Using the TekColor printing extension

In the **Print** dialog box, select the **TekColor** icon in the scrollable list at the left of the dialog box to see printer options.

NOTE



This dialog box is similar to the one that appears when you select **Printer Driver Defaults** from the **Printing** menu; refer to [Selecting printing options](#) for details.

The default settings in this dialog box reflect the defaults for the selected desktop printer. With most applications, you can change the printing options and save those options with each document.

Printing from non-QuickDraw GX applications

If you are using non-QuickDraw GX applications with the Phaser 600 GX driver, the **Page Setup** and **Print** dialog boxes look similar to the standard LaserWriter driver. However, these dialog boxes have no printer-specific options, such as TekColor color corrections. These dialog boxes reflect the selections made in the default desktop printer. You cannot change these printer settings from an application, but you can change them by selecting (highlighting) the default desktop printer and using the **Printer Driver Defaults** command in the **Printing** menu.

You can also change the default desktop printer before you change printing selections. To change the default desktop printer, see [Designating a default desktop printer](#).

Changing a desktop printer's default selections

- 1 Click to highlight the default desktop printer.
- 2 From the **Printing** menu, select **Printer Driver Defaults**.
- 3 Make desired printer selections, then click **OK** and return to your application.

Viewing printer status

Once you send a print job to a desktop printer, you can monitor the status of the print job in the **Printer Status** dialog box.

There are two ways to open the **Printer Status** dialog box:

- Select (highlight) the appropriate desktop printer icon, then select **Open** from the **File** menu.
- Double-click the appropriate desktop printer icon.

Disabling QuickDraw GX

You may want to disable QuickDraw GX when printing from some non-QuickDraw GX applications so you can use a driver such as the LaserWriter 8.x driver.

There are two ways to disable QuickDraw GX:

Method 1

- 1 Open the **Extensions** folder inside the **System Folder**.
- 2 Drag the **QuickDraw™ GX** extension onto the desktop.
- 3 Select **Restart** from the **Special** menu.

Any desktop printers created before you disabled QuickDraw GX will have an “X” drawn through their icons. These desktop printers remain unavailable for use until QuickDraw GX is re-enabled.

NOTE



During installation, QuickDraw GX altered the Fonts folder inside your System Folder. If you disable QuickDraw GX, you may need to reinstall some fonts.

Method 2

- 1 Select **Extensions Manager** in the **Control Panel**.
- 2 Click to disable all QuickDraw GX entries, such as **QuickDraw GX** and **QuickDraw Helper**.
- 3 Select **Restart** from the **Special** menu.

Any desktop printers created before you disabled QuickDraw GX will have an “X” drawn through their icons. These desktop printers remain unavailable for use until QuickDraw GX is re-enabled.

NOTE



During installation, QuickDraw GX altered the Fonts folder inside your System Folder. If you disable QuickDraw GX, you may need to reinstall some fonts.



PRINTING FROM DOS

Phaser[®] 600 Wide-Format Color Printer

Click on the following topics for more information:

- [Setting up ports](#)
- [Printing from DOS](#)

Setting up ports

Click on the following topics for more information:

- [Setting up the parallel port](#)
- [Setting up optional interface ports](#)

Setting up the parallel port

If you are using the printer's parallel port, disable timeouts on your computer's parallel port to make sure that large files will print, even if data transmission is slow.

Use the DOS **MODE** command to disable timeouts on your computer's parallel port.

- 1 Type the following command at the DOS prompt (if LPT1 is not available, use LPT2):

```
MODE LPT1: , , P
```

See your DOS documentation for details on the **MODE** command.

- 2 You can add the **MODE** command to your *AUTOEXEC.BAT* file, so that it takes effect every time you turn on your computer. (Refer to your PC user documentation.)

Setting up optional interface ports

For instructions on setting up any of the optional PhaserShare interface ports, refer to the *PhaserShare Network Cards and Software System Administrator Manual*.

Printing from DOS

Click on the following topics for more information:

- [Using color corrections](#)
- [Using a Tektronix driver](#)
- [Using a non-Tektronix driver](#)

Using color corrections

Driver-selectable TekColor color correction features are available only through printer drivers such as the Adobe PS3 driver or the Windows 95 PostScript driver. Select color corrections through the printer's front panel or with downloadable utility files.

Using a Tektronix driver

Many DOS applications include printer drivers for Tektronix printers. Check the application you are using for a printer driver for a Phaser 600 printer. Install and use the driver according to the application's documentation.

Using a non-Tektronix driver

If the application you are using does not have a driver for a Phaser 600 printer, do one of the following:

- Check to see if other Tektronix Phaser series printers are listed, and choose one of those.
- If no Tektronix Phaser series printers are listed, you can use a generic color PostScript printer driver. However, generic drivers do not have information on the printer's page sizes and image areas, and images may be clipped or shifted when printed. Using a standard Letter- or A4-size media selection should produce acceptable results.
- Contact the application's vendor, or call Tektronix Customer Support in the U.S. and Canada at 1-800-835-6100, for printing information. Outside the U.S. and Canada, contact your local Tektronix reseller.

Tektronix

PRINTING FROM UNIX AND VMS WORKSTATIONS

Phaser[®] 600 Wide-Format Color Printer

Overview

You can send print files from your workstation to a Phaser 600 printer as you would to any PostScript printer, for example, an Apple LaserWriter. Workstation users can print from any application that generates PostScript Level 1 or Level 2 output.

For more information on printing from a workstation, request a document catalog from HAL or EuroHAL, the Tektronix automated fax systems. Refer to [Using the automated fax systems](#) for instructions on using these systems.

To use the TekColor color corrections and other printer features, use one or more of the following methods:

- PhaserPrint™ software for UNIX workstations functions like a printer driver for selecting printing options, and provides fast screen copy printing; see [Printing from UNIX workstations](#).
- PhaserSym software and EasyCopy/X for VMS workstations provides proper communication with the printer; see [Printing from VMS workstations](#).
- The menus on the printer's front panel let you select printing options; refer to [Using the Front Panel](#) for instructions on using the front panel.
- Downloadable utility files let you select printing options; see [Using the utility files](#) for a list of topics.

Printing from UNIX workstations

For UNIX environments, Tektronix offers the optional PhaserPrint for UNIX software. PhaserPrint for UNIX software offers driver-selectable printer options, and provides fast, raster file and screen copy printing to Tektronix color printers.

PhaserPrint for UNIX software is available for these workstations:

Workstation	Operating System
Sun	SunOS 4.1.3 Solaris 2.3, 2.4
SGI	IRIX 4.0, 5.2, 5.3
HP 9000 700/800	HPUX 9.0.5
IBM RS/6000	AIX 3.2
DECstation	Ultrix 4.0, 4.4
DEC Alpha	OSF/1 3.0 and 3.2

PhaserPrint for UNIX software works with the workstation's native spooling system to print PostScript files and raster files in these formats: Sun Raster Format (SRF), **xwd**, and SGI RGB.

A demonstration copy of PhaserPrint for UNIX software, along with an installation guide, is available on the printer's CD-ROM in the *UNIXDEMO* directory. If you would like to purchase a licensed version of the PhaserPrint for UNIX software, contact your dealer, local Tektronix office, or in the United States, call **1-800-835-6100**, and order part number 4690F20.

Printing from VMS workstations

For printing from VMS workstations, the optional PhaserSym™ utility functions as a driver for selecting printing options, and as a queue manager. PhaserSym software is compatible with DEC workstations running VAX/VMS version 5.0 and later. PhaserSym software communicates over the printer's optional TCP/IP Ethernet interface, and is required for proper communication with the printer.

The optional EasyCopy/X software provides fast raster image printing to Tektronix printers.

If you would like to purchase a copy of PhaserSym software, contact your dealer, local Tektronix office, or in the United States, call **1-800-835-6100**, and order part number **4690F41**.

Using the printer's software

For some printer features you can use the downloadable utility files available on the Phaser 600 printer's CD-ROM.

Use the utility files to set up spool queues with printer features such as print quality and color corrections. The utility files can also perform such tasks as changing the printer's name, resetting the printer, and using an error handler; refer to [Using the utility files](#) for details.

The utility files are written in the PostScript Level 2 programming language, and in a few cases you may have to edit the files to change the default parameters.

Obtaining the PC utility files

There are several ways to access the utility files:

- [Using the Phaser 600 printer's CD-ROM.](#)
- [Downloading files from the Tektronix World Wide Web site.](#)
- [Downloading files from the Tektronix ftp server.](#)

Using the Phaser 600 printer's CD-ROM

Many workstations with newer operating systems can automatically mount a CD-ROM. Insert the Phaser 600 printer's CD-ROM into your CD-ROM drive; the icon for the CD-ROM should be visible on the screen.

If you don't see an icon for the CD-ROM on the screen, you must mount the CD-ROM using the proper mount command. Check with your system administrator, or **man** pages, for instructions on the proper command for your system.

Using the utility files

You can use the printer's utility files to perform the following procedures. Download these files to the printer as you would any PostScript files.

- [Print quality modes](#)
- [Color corrections](#)
- [Printing the Color Sampler Charts](#)
- [Printing a font sampler from a PC](#)
- [Using a PostScript error handler](#)
- [Using the Tektronix halftone screens](#)
- [Printing the startup page](#)
- [Enabling and disabling the startup page](#)
- [Printing the configuration page](#)

- [Changing the printer's name](#)
- [Enabling and disabling front panel menus](#)
- [Resetting the printer](#)
- [Enabling and disabling job pipelining](#)
- [Configuring a printer's serial port](#)
- [Formatting a SCSI hard disk](#)
- [Initializing a formatted SCSI hard disk](#)
- [Enabling and disabling SysStart Job execution](#)
- [Setting PostScript and HP-GL job and wait timeouts](#)
- [Changing the printer's language mode](#)
- [Modifying the Advance Media default](#)
- [Setting page offset](#)

- [Cut Media](#)
- [Fusing Mode / Media Fusing](#)
- [Mirror Print](#)
- [Page Rotation](#)
- [Image Smoothing](#)
- [Using the color rendering intents](#)

Mounting the PC/DOS diskette on a workstation

Click on the following topics for more information:

- [SGI IRIX versions 4.0.x and 5](#)
- [Sun running Solaris 2.3](#)
- [Sun running SunOS 4.1.3](#)

SGI IRIX versions 4.0.x and 5

PC/DOS-formatted diskettes can be easily mounted in the SGI environment. For more information, print out the appropriate **man** pages on your system.

IRIX version 4.0.x uses the *msdosd* daemon to mount a floppy diskette. IRIX version 5 uses the *mediad* daemon to mount all types of devices, including floppy diskettes. Both operating system versions have the utilities *from_dos* and *to_unix* to convert files and add or remove Control-M characters.

To mount a diskette, insert the diskette into the disk drive.

msdosd

The *msdosd* daemon monitors a floppy diskette drive. When a diskette is inserted, it is mounted appropriately if it is in MS-DOS format. To specify a floppy disk drive, use the appropriate device special file in `/dev/rdisk`. High-density diskettes are mounted by using floppy devices with the *hi* suffix.

mediad

The *mediad* daemon monitors the removable media devices on a system. When a diskette is inserted, it is mounted if it makes sense for that media type and if there is a valid *file system* on it.

Sun running Solaris 2.3

PC/DOS-formatted diskettes can be mounted in two ways in the Solaris environment, either automatically or manually. For more information, print out the appropriate **man** pages on your system.

Click on the following topics for more information:

- [Automatic diskette mounting instructions](#)
- [Manual diskette mounting instructions](#)

Automatic diskette mounting instructions

If the volume manager is running, the PC/DOS diskette will be mounted automatically when the diskette is inserted in the disk drive.

To see if the volume manager is running, type the following command:

```
ps -ef | grep vold
```

To see a list of the diskette's contents, do the following steps:

- 1 Run **Open Windows**.
- 2 Open the **File Manager**.
- 3 Insert the PC/DOS diskette.
- 4 Click on the **File** button in the **File Manager** window, then click on **Check for Floppy**.

The **File Manager** displays the files on the diskette. You can then copy the files to your hard disk, or send the files to the printer using the **lp** print command.

Manual diskette mounting instructions

If the volume manager is not running, you can manually mount the PC diskette. You must have root privileges to use the **mount** command. Type the following command:

```
mount -F pcfs device-special directory-name
```

For example: `mount -F pcfs /dev/diskette /floppy`

Or, if the device name `/dev/diskette - /pcfs pcfs -no-` is in your `/etc/vfstab` directory, type the following command to mount the diskette: `mount /pcfs`

You can then copy the files to your hard disk or extract the file `unix.tar`, as described in [Extracting files from unix.tar](#).

To eject the diskette, type: `eject`

NOTE



Do not execute the **eject** command from within the mount point (the directory to which you mounted the diskette).

Sun running SunOS 4.1.3

You must have root privileges to use the **mount** command. Type the following command:

```
mount -r -t pcfs device-name mount-point
```

For example: `mount -r -t pcfs /dev/fd0c /mnt`

You can then copy the files to your hard disk or extract the file *unix.tar*, as described in [Extracting files from unix.tar](#).

To eject the diskette, type: **eject**

N O T E



Do not execute the **eject** command from within the mount point (the directory to which you mounted the diskette).

Extracting files from *unix.tar*

The file *unix.tar* contains all the shell scripts and other files needed for network configuration in UNIX environments. The file is in UNIX **tar** format.

Click on the following topics for more information:

- [Listing the contents of unix.tar](#)
- [Extracting the files](#)

Listing the contents of *unix.tar*

Type this command:

```
tar tvf directory-name/unix.tar
```

Where *directory-name* is the mount point or the directory that contains the file. For example:

```
tar tvf /mnt/unix.tar
```

Extracting the files

- 1 Change (**cd**) to the directory on your workstation where you want the files to reside.
- 2 Type this command:

```
tar xvf /directory-name/unix.tar
```

Where *directory-name* is the mount point or the directory that contains the file. For example:

```
tar xvf /mnt/unix.tar
```



USING PRINTER UTILITIES

Phaser[®] 600 Wide-Format Color Printer

In addition to using the printer's front panel or the options in a supported driver, the printer's utility files offer another method for changing the way the printer operates. In some cases, a selection can only be made with a utility file.

Click on the following topics for more information:

- [Installing the utility files](#)
- [Downloading files to the printer](#)
- [Changing the printer's name](#)
- [Resetting the printer](#)
- [Using the color rendering intents](#)
- [Enabling and disabling job pipelining](#)
- [Modifying the Advance Media default](#)
- [Setting page offset](#)
- [Adding Control-D characters to PC files](#)
- [Configuring a printer's serial port](#)
- [Other utilities](#)

Installing the utility files

Click on the following topics for more information:

- [Installing the Macintosh utility files from the printer's CD-ROM](#)
- [Installing the PC utility files](#)
- [Downloading files from the Tektronix World Wide Web site](#)
- [Downloading files from the Tektronix ftp server](#)

Installing the Macintosh utility files from the printer's CD-ROM

- 1 Insert the Phaser 600 printer's CD-ROM into your computer's CD-ROM drive.
- 2 Double-click the **Phaser 600 Installer** icon. Click **Continue** until the **Easy Install** window appears.
- 3 Select **Custom Install** from the pull-down menu.
- 4 Select one of the driver options and the **Printer Utilities** item from the list. (You need to install one of the driver to install the *LaserWriter Utility*.)
- 5 Click **Install**.

The software is installed in a *Printer Utilities* folder, inside a *PhaserTools* folder created on your hard disk by the printer's installer.

Installing the PC utility files

The utility files are available on the Phaser 600 printer's CD-ROM and diskette.

- 1** Follow the instructions in [PC/Windows software](#) to install the printer's software. Select the *Printer Utilities* item in the **Custom Install: Utilities** window.
- 2** Locate the files in the *PHSR600* subdirectory, inside the *PHSRTOOL* directory created on your hard disk by the installer application.

Downloading files from the Tektronix World Wide Web site

Tektronix has a site on the World Wide Web (WWW). You can reach the site from a WWW browser at the following address:

`http://www.tek.com/Color_Printers/`

At the Tektronix Color Printer home page, explore options such as customer support documents and new product information. New and updated information is always being added, so check the WWW site frequently.

You can access the Tektronix World Wide Web server (WWW) to download files such as utilities or drivers. Use a web browser such as Netscape or Mosaic and follow these steps:

- 1 Start your web browser and enter the following address:

`ftp://ftp.tek.com/Color_Printers/bbs`

- 2 Click on the appropriate platform (*macintosh, pcs, or unix*).
- 3 Click on *600* for Phaser 600 printer-specific files.
- 4 Select the files you need; the system prompts you to select a location for downloading the files.

Downloading files from the Tektronix ftp server

The utility files included on the printer's CD-ROM let you set up the printer from UNIX and VMS workstations to select between print quality modes, color correction modes and other features. If you don't have the means to transfer these files from the CD-ROM, you can request files from the Tektronix anonymous ftp server.

If you can exchange electronic mail with other Internet sites, you can access the Tektronix ftp server. From this server you can retrieve driver and utility files and color printer information.

To log onto the Tektronix ftp server and download utility files, follow these instructions:

- 1 Type the following at the system prompt, and press the **Return** key:

```
ftp ftp.tek.com
```

The system responds:

```
Name (ftp.tek.com:<login name>) :
```

- 2 Type **anonymous** and press the **Return** key.

The system responds:

```
Guest login ok, send your complete  
e-mail address as password.
```

- 3 Enter your e-mail address and press the **Return** key.

- 4 Change directories to your printer-specific directory:

```
cd Color_Printers/UNIX/<Tektronix  
printer>/utilities
```

- 5 To download the utility files, type the following command:

```
mget *
```

The system prompts you for each file in the directory, to which you respond **y** (yes) or **n** (no).

- 6 To exit the ftp session, type **quit** or **bye**; then press the **Return** key.

Downloading files to the printer

Click on the following topics for more information:

- [Downloading files from a Macintosh](#)
- [Downloading files from a PC](#)

Downloading files from a Macintosh

All of the PostScript utility files on the printer's CD-ROM can be downloaded to the printer with the *LaserWriter Utility*.

Also, if you are using QuickDraw GX, you can download printer utilities from the Tektronix Phaser 600 GX printer driver.

Click on the following topics for more information:

- [Using the LaserWriter Utility to download files](#)
- [Using the LaserWriter Utility to perform other tasks](#)
- [Downloading files from the Phaser 600 GX driver](#)

Using the LaserWriter Utility to download files

The *LaserWriter Utility* is an Apple utility program you use on the Macintosh to send PostScript files and fonts to the printer.



The *LaserWriter Utility* version 7.7 is compatible with Apple System Software versions 7.0 and later. It is also compatible with QuickDraw GX.

If you are using System Software 6.x, check with the Tektronix BBS for another version of the *LaserWriter Utility* in the *LW_UTIL.SEA* compressed archive file. Refer to [If you need help](#) for instructions on using the on-line services.

NOTE



The **LaserWriter Utility** cannot be used if the printer is connected to a print server. See your system administrator to temporarily remove the printer from the print server to download necessary files.

- 1 See [Installing the Macintosh utility files from the printer's CD-ROM](#) to install the printer's software.
- 2 Select the appropriate printer in the **Chooser**.
- 3 Locate the *LaserWriter Utility* in the *PhaserTools* folder on your hard disk, and double-click its icon to start the application.
- 4 Select **Download PostScript File** from the **Utilities** menu.
- 5 Select the file you want sent to the printer, and click **Open**. (The printer's utility files were installed in the *Printer Utilities* folder, inside the *PhaserTools* folder.)
- 6 At the prompt `Save PostScript output as:` you are asked for a file name for saving printer output. Use the default name given in the edit box or type in a new name. (Printer output includes status messages generated by the printer reporting such conditions as out of paper.)
- 7 Click **Save** to send the file to the printer.
- 8 If no output is returned by the printer, the *LaserWriter Utility* displays a dialog box; click **OK** in the box to continue.
If output is returned by the printer, you won't see this dialog box; check your hard disk for the file the utility created for the printer's output.

Using the *LaserWriter Utility* to perform other tasks

In addition to downloading PostScript files and fonts, you can use the *LaserWriter Utility* to perform the following specialized tasks:

- [Enabling and disabling the startup page](#)
- [Changing the printer's name](#)

Downloading files from the Phaser 600 GX driver

If you are using QuickDraw GX, you can use the Phaser 600 GX driver to download utility files to the printer.

Use the **Send PostScript File** command in the **Printing** menu to download PostScript files to the selected desktop printer. This command cannot be used on a shared printer, except by the Macintosh hosting the shared printer.

- 1 Select (highlight) a desktop printer icon.
- 2 Select **Send PostScript File** from the **Printing** menu.
- 3 Select the PostScript file you want to download.
- 4 Click **Open** to send the file to the printer.

Downloading files from a PC

To use the printer's utility files, send or download them to the printer from the communications port your printer is connected to.

Click on the following topics for more information:

- [Downloading files from Windows 3.1](#)
- [Downloading files from Windows 95](#)
- [Downloading files from DOS](#)

Downloading files from Windows 3.1

You can use the **Copy** command in the Windows **File Manager** to download PostScript files to the printer.

- 1 See [Installing the PC utility files](#) to locate the printer's utility files.
- 2 Select the utility file you want to send to the printer, for example *RESET.PS*.
- 3 From the **File** menu, select **Copy**. The **Copy** dialog box appears with the utility file you selected listed in the **From** field.
- 4 In the **To** field, type the port your printer is connected to. For example, type **LPT1:** for a parallel port connection, then click **OK**.
- 5 If the **Confirm File Replace** dialog box appears, click **Yes** to continue; the file is downloaded to the printer.

N O T E



If your printer is connected to an optional Novell or TCP/IP network, you should follow the instructions provided with your network software.

Downloading files from Windows 95

Use the DOS **COPY** command to send the desired file to the printer. To find the DOS prompt, follow this procedure:

- 1 Click **Start** in the taskbar on your screen.
- 2 In the menu that appears select **Programs**.
- 3 Select **MS-DOS Prompt** from the list.

See [Installing the utility files](#) to locate the printer's utility files.

- If your printer is connected to the parallel (LPT) port, type the following command (where **x** is 1, 2, or 3):

COPY RESET.PS LPTx:

- If your printer is connected to the optional serial (COM) port, type the following command (where **x** is 1, 2, or 3):

COPY RESET.PS COMx:

- If your printer is connected to an optional Novell or TCP/IP network, you should follow the instructions provided with your network software.

Downloading files from DOS

You can use the DOS **COPY** command to download PostScript files to the printer.

See [Installing the utility files](#) to locate the printer's utility files.

Use the DOS **COPY** command to send the desired file to the printer. For example, to reset the printer you would send the *RESET.PS* file to the printer.

- If your printer is connected to the parallel (LPT) port, type the following command (where **x** is 1, 2, or 3):

COPY RESET.PS LPTx:

- If your printer is connected to the optional serial (COM) port, type the following command (where **x** is 1, 2, or 3):

COPY RESET.PS COMx:

- If your printer is connected to an optional Novell or TCP/IP network, you should follow the instructions provided with your network software.

Changing the printer's name

This procedure lets you change the printer's name.

Click on the following topics for more information:

- [Changing the printer's name from a Macintosh](#)
- [Changing the printer's name from a PC](#)

Changing the printer's name from a Macintosh

The printer's name has the following characteristics:

- Is printed on the startup and configuration pages.
- Is used by AppleTalk to identify the printer.
- Appears in the **Chooser**.
- Can be up to 31 characters long, and may contain any printable characters except @ (at sign) and : (colon).
- The default printer name is **Phaser 600**. If more than one printer with the same name appears in the same zone, numbers are appended to the names of the printers added later, for example Phaser 600-1 and Phaser 600-2. These numbered printers appear in the Chooser; the actual printername is not changed.
- A name change is persistent across printer power cycles.

NOTE



If you are using QuickDraw GX, remove any desktop printer icons that refer to the old printer name and make new desktop printers after changing the printer's name.

- 1 Follow the instructions in [Installing the Macintosh utility files from the printer's CD-ROM](#) to install the printer's software.
- 2 Select the appropriate printer in the **Chooser**.
- 3 Locate the *LaserWriter Utility* in the *PhaserTools* folder on your hard disk, and double-click its icon to start the application.
- 4 Select **Name Printer** from the **Utilities** menu; the currently selected printer is listed in the dialog box.
- 5 Type the new name in the edit box.
- 6 Click the **Rename** button.
- 7 At the confirmation dialog box, click **OK**.
- 8 Open the **Chooser** to reselect the printer with its new name.

Changing the printer's name from a PC

You can change the printer's AppleTalk name from a PC.

The printer's name has the following characteristics:

- Is printed on the startup and configuration pages.
- Is used by AppleTalk to identify the printer.
- Can be up to 31 characters long, and may contain any printable characters except @ (at sign) and : (colon).
- A name change is persistent across printer power cycles.

- 1 See [Installing the utility files](#) to locate the printer's utility files.
- 2 View the *PRNTNAME.PS* file in a text editor.
- 3 Edit the file to substitute a different printer name for **(My Printer Name)** in the **/PrinterName** line.

N O T E

Some text editors add a carriage return or line feed after the last Control-D character in a file you are editing. If your computer is connected to the printer through the parallel port, or the optional serial port, the extra characters will start a new job and the printer times out after a few minutes. To avoid this, copy the *CTRLD.PS* file to the printer after you send the *PRNTNAME.PS* file; see [CTRLD.PS](#) for more information on the *CTRLD.PS* file.

- 4 Use one of the following methods to send the file to the printer:
 - **PC users:** Use the DOS **COPY** command to send the file to the printer. (Windows 3.1 users can also use the **Copy** command in the **File Manager**.)
 - **Workstation users:** Send the file to the printer as you would any PostScript file.

Resetting the printer

The *Reset Printer (RESET.PS)* file resets the printer to its power-on conditions (*not* its factory default conditions), without turning the printer's power switch off and on. The power-on conditions include any custom changes made to the printer that are stored in the printer's NVRAM, or changes that are persistent across printer power cycles. For example, if you used a downloadable utility file to change the printer's name or to set a color correction, these are power-on conditions that are not altered by resetting the printer. Resetting the printer erases changes that are not persistent across printer power cycles, such as the Tektronix error handler utility and custom color profiles.

This file restarts the printer as soon as all the jobs in its queue are finished. The printer remains unavailable while it initializes.

Click on the following topics for more information:

- [Resetting the printer from a Macintosh](#)
- [Resetting the printer from a PC](#)

Resetting the printer from a Macintosh

NOTE



Do not use the **Restart Printer** command in the LaserWriter Utility's **Utilities** menu. Follow this procedure to reset the printer using the LaserWriter Utility to download the Reset Printer utility file.

- 1 Follow the instructions in [Installing the Macintosh utility files from the printer's CD-ROM](#) to install the printer's software.
- 2 Select the appropriate printer in the **Chooser**.
- 3 Locate the *LaserWriter Utility* in the *PhaserTools* folder on your hard disk, and double-click its icon to start the application.
- 4 Choose **Download PostScript File** from the **Utilities** menu.
- 5 Select the *Reset Printer* file in the list then click **Open**. (This file was installed in the *Printer Utilities* folder, inside the *PhaserTools* folder.)

NOTE



The process of resetting the printer takes a few minutes to complete. You will receive a message on your screen indicating the connection has been interrupted during the reset. The connection is re-established after the reset, so you can ignore this message; click the **Continue** button.

- 6 At the prompt `Save PostScript output as:` you are asked for a file name for saving printer output. Use either the default name given in the edit box or type in a new name.
- 7 Click **Save** to send the file to the printer.
- 8 If no output is returned by the printer, the *LaserWriter Utility* displays a dialog box; click **OK** to continue.

Resetting the printer from a PC

- 1 See [Installing the utility files](#) to locate the printer's utility files.
- 2 Use one of the following methods to send the *RESET.PS* file to the printer:
 - **PC users:** Use the DOS **COPY** command to send the file to the printer. (Windows 3.1 users can also use the **Copy** command in the **File Manager**.)
 - **Workstation users:** Send the file to the printer as you would any PostScript file.

Using the color rendering intents

The color rendering intents are designed for use with images containing colors specified in the PostScript Level 2 international color standard, CIE XYZ, which was developed by the Commission Internationale de l'Eclairage (International Commission on Illumination).

Descriptions

Each color rendering intent provides a specific type of color matching.

- [Rendering Intent Absolute](#)
- [Rendering Intent Relative](#)
- [Rendering Intent Saturation](#)
- [Rendering Intent Perceptual](#)

Rendering Intent Absolute

For jobs in which the most important consideration is *matching colors exactly to the computer's screen colors*. This absolute rendering reproduces all colors exactly: the white in an image prints *exactly* as it appears on the computer screen; in other words, if the “white” appears to contain a color (such as blue or gray), that color is printed rather than the white of the paper.

Many screen colors cannot be printed accurately on the Phaser 450 or other color printers. The printer uses the closest printer colors available for screen colors. Consequently, “flat” areas appear on prints where slightly different colors appear on the screen.

Rendering Intent Relative

For jobs in which the most important consideration is *matching colors exactly to the computer's screen colors*. This relative rendering does not print the white areas in an image; rather, it uses the white of the paper.

Rendering Intent Saturation

Use this option for business graphics where the saturation, or brightness, of the colors is the most important consideration.

Rendering Intent Perceptual

Use this option to improve the appearance of scanned images.

Selecting

Click on the following topics for more information:

- [From the PhaserPrint plug-in for Photoshop](#)
- [From a downloadable utility file](#)

From the PhaserPrint plug-in for Photoshop

If you are using Photoshop, you can use the PhaserPrint plug-in to select color rendering intents. See [Using the PhaserPrint™ Plug-in for Photoshop](#) for instructions.

From a downloadable utility file

Use the following downloadable utility files to set the printer's default color rendering intent. These files remain in the printer's memory only while the printer is turned on. If the printer is turned off or reset, the default returns to **Rendering Intent Relative**.

Computer	Downloading methods	Utility files
Macintosh	<ul style="list-style-type: none"> ■ All Macintosh users: Use the <i>LaserWriter Utility</i> to download these files to the printer. See Downloading files from a Macintosh for instructions. 	<ul style="list-style-type: none"> ■ <i>Rendering Intent Absolute</i> ■ <i>Rendering Intent Perceptual</i>
	<ul style="list-style-type: none"> ■ QuickDraw GX users: Use the Phaser 450 GX driver to download these files to the printer. See Downloading printer utilities for instructions. 	<ul style="list-style-type: none"> ■ <i>Rendering Intent Relative</i> ■ <i>Rendering Intent Saturation</i>
PC/Windows	<ul style="list-style-type: none"> ■ Use the DOS COPY command to download these files to the printer. See Downloading files from a PC for instructions. 	<ul style="list-style-type: none"> ■ <i>RENDABS.PS</i> ■ <i>RENDPER.PS</i> ■ <i>RENDREL.PS</i>
	<ul style="list-style-type: none"> ■ Use the Windows 3.1 File Manager to download these files to the printer. 	<ul style="list-style-type: none"> ■ <i>RENDSAT.PS</i>
Workstation	<ul style="list-style-type: none"> ■ Use the appropriate commands for your workstation. 	

Enabling and disabling job pipelining

The job pipelining utility files offer faster print job throughput for high volume printing environments. When job pipelining is turned on, the printer begins processing a second print job before completely finishing the current print job. Job pipelining is turned *on* by factory default for the parallel port and optional serial port, and is turned *off* by factory default for all network ports.

NOTE



If you enable job pipelining, a mismatch can occur between the job currently printing and a status message displayed for a previous print job. The mismatch occurs when a print job already closed (but not completely printed) develops a problem and reports an error during a subsequent print job.

Click on the following topics for more information:

- [Enable/disable job pipelining from a Macintosh](#)
- [Enable/disable job pipelining from a PC](#)

Enable/disable job pipelining from a Macintosh

- 1 Follow the instructions in [Installing the Macintosh utility files from the printer's CD-ROM](#) to install the printer's software.
- 2 Select the appropriate printer in the **Chooser**.
- 3 Locate the *LaserWriter Utility* in the *PhaserTools* folder on your hard disk, and double-click its icon to start the application.
- 4 Choose **Download PostScript File** from the **Utilities** menu.
- 5 Select one of the job pipelining files in the list then click **Open**. (These files were installed in the *Printer Utilities* folder, inside the *PhaserTools* folder.)
 - Use the *Pipelining On* file to turn on print job pipelining.
 - Use the *Pipelining Off* file to turn off print job pipelining.

- 6 At the prompt `Save PostScript output as:` you are asked for a file name for saving printer output. Use either the default name given in the edit box or type in a new name.
- 7 Click **Save** to send the file to the printer.
- 8 If no output is returned by the printer, the *LaserWriter Utility* displays a dialog box; click **OK** to continue.

Enable/disable job pipelining from a PC

- 1 See [Installing the utility files](#) to locate the printer's utility files.
- 2 Select one of the following files:
 - Use the *PIPE_ON.PS* file to turn on print job pipelining.
 - Use the *PIPE_OFF.PS* file to turn off print job pipelining.
- 3 Use one of the following methods to send the desired file to the printer:
 - **PC users:** Use the DOS **COPY** command to send the file to the printer. (Windows 3.1 users can also use the **Copy** command in the **File Manager**.)
 - **Workstation users:** Send a file to the printer as you would any PostScript file.

Modifying the Advance Media default

The amount the media is advanced is measured in points; the default is 72 points (one inch). You can use the *Advance Media (ADV MEDIA.PS)* file to change the default advance distance. The new default value remains in the printer's memory even between printer power cycles.

NOTE



For more information on the Advance Media options, see [Advance Media](#).

Click on the following topics for instructions:

- [Modifying Advance Media from a Macintosh](#)
- [Modifying Advance Media from a PC](#)

Modifying Advance Media from a Macintosh

- 1 Follow the instructions in [Installing the Macintosh utility files from the printer's CD-ROM](#) to install the printer's software.
- 2 Open the *Advance Media* utility file in a text editor as plain text, and locate the following line:

```
/MyAdvanceDistance 72 def
```

- 3 Replace **72** with the distance you want, measured in points.
- 4 Save the file, renaming the file if desired.
- 5 Select the appropriate printer in the **Chooser**.
- 6 Locate the *LaserWriter Utility* in the *PhaserTools* folder on your hard disk, and double-click its icon to start the application.
- 7 Choose **Download PostScript File** from the **Utilities** menu.

- 8 Select the *Advance Media* utility file you just modified in the list then click **Open**. (This file was installed in the *Printer Utilities* folder, inside the *PhaserTools* folder.)
- 9 At the prompt `Save PostScript output as:` you are asked for a file name for saving printer output. Use either the default name given in the edit box or type in a new name.
- 10 Click **Save** to send the file to the printer.
- 11 If no output is returned by the printer, the *LaserWriter Utility* displays a dialog box; click **OK** to continue.

Modifying Advance Media from a PC

- 1 See [Installing the utility files](#) to locate the printer's utility files.
- 2 Open the *ADVMEDIA.PS* utility file in a text editor as plain text, and locate the following line:

```
/MyAdvanceDistance 72 def
```

- 3 Replace **72** with the distance you want, measured in points.
- 4 Save the file, renaming the file if desired.
- 5 Use one of the following methods to send the file to the printer:
 - **PC users:** Use the DOS **COPY** command to send the file to the printer. (Windows 3.1 users can also use the **Copy** command in the **File Manager**.)
 - **Workstation users:** Send a file to the printer as you would any PostScript file.

Setting page offset

You can use the *Page Offset XY (OFFSETXY.PS)* file to change the default width (X) and length (Y) axes on roll media. The printer's default is 0 (zero). The new default value remains in the printer's memory even between printer power cycles.

NOTE



Turning on the Page Centering option overrides the Page Offset selection.

Click on the following topics for instructions:

- [Setting page offset from a Macintosh](#)
- [Setting page offset from a PC](#)

Setting page offset from a Macintosh

- 1 Follow the instructions in [Installing the Macintosh utility files from the printer's CD-ROM](#) to install the printer's software.
- 2 Open the *Page Offset XY* utility file in a text editor as plain text, and locate the following lines:

```
/MyXOffset 0 def  
/MyYOffset 0 def
```

- 3 Replace **0** with the amount you want, where **X** is the wide axis of the paper, and **Y** is the long axis of the paper.
- 4 Save the file, renaming the file if desired.
- 5 Select the appropriate printer in the **Chooser**.
- 6 Locate the *LaserWriter Utility* in the *PhaserTools* folder on your hard disk, and double-click its icon to start the application.
- 7 Choose **Download PostScript File** from the **Utilities** menu.

- 8 Select the *Page Offset XY* utility file you just modified in the list then click **Open**. (This file was installed in the *Printer Utilities* folder, inside the *PhaserTools* folder.)
- 9 At the prompt `Save PostScript output as:` you are asked for a file name for saving printer output. Use either the default name given in the edit box or type in a new name.
- 10 Click **Save** to send the file to the printer.
- 11 If no output is returned by the printer, the *LaserWriter Utility* displays a dialog box; click **OK** to continue.

Setting page offset from a PC

- 1 See [Installing the utility files](#) to locate the printer's utility files.
- 2 Open the *OFFSETXY.PS* utility file in a text editor as plain text, and locate the following lines:

```
/MyXOffset 0 def  
/MyYOffset 0 def
```

- 3 Replace 0 with the amount you want, where **X** is the wide axis of the paper, and **Y** is the long axis of the paper.
- 4 Save the file, renaming the file if desired.
- 5 Use one of the following methods to send the file to the printer:
 - **PC users:** Use the DOS **COPY** command to send the file to the printer. (Windows 3.1 users can also use the **Copy** command in the **File Manager**.)
 - **Workstation users:** Send a file to the printer as you would any PostScript file.

Adding Control-D characters to PC files

The *ADDCTRLD.BAT* and *CTRLD.PS* files are included for users who want to write their own PostScript files. See [Installing the utility files](#) to locate the printer's utility files.

NOTE



If your computer is connected to the printer through the parallel port, or the optional serial port, you need to have Control-D characters in your utility files or in the files you create. However, if your computer is connected to a network such as NetWare or TCP/IP, you should not add Control-D characters to a utility file.

The non-text Control-D character is required at the end of PostScript files sent to the printer's parallel port or optional serial port; it signals "end-of-job." A Control-D should precede and follow most PostScript data files. *ADDCTRLD.BAT* and *CTRLD.PS* help you add two Control-D characters to your files.

ADDCTRLD.BAT

ADDCTRLD.BAT is a batch file that adds a Control-D to the beginning and the end of a file. Use this file if you are creating your own PostScript files.

To use *ADDCTRLD.BAT*, copy *ADDCTRLD.BAT* and *CTRLD.PS* to the same directory on your hard disk. Type the following command:

ADDCTRLD filename

where *filename* is the name of the file that needs Control-D characters.

CTRLD.PS

CTRLD.PS contains some PostScript comments plus the Control-D character. Copy *CTRLD.PS* to the beginning and/or end of your PostScript files before you send them to the printer. (PostScript utility files on the Phaser 600 printer's CD-ROM already have Control-D characters at the beginning and end.) You can send *CTRLD.PS* to the printer by itself to make sure the printer is in the "end-of-job" condition.

Configuring a printer's serial port

If your printer has the optional serial port installed, you can configure the port using the *DEVPARAM.PS* file or by using front panel selections.

NOTE



To modify the *DEVPARAM.PS* file, you should be familiar with the PostScript *setdevparams* command. You should also know how to use PostScript dictionaries and key value pairs.

You should edit the *DEVPARAM.PS* file and send it to the printer *before* using other utility files to change the printer's performance.

The following example sets these parameters:

- Flow control to *Xon/Xoff*
- Parity to *none*
- Data bits to *8*
- Stop bits to *2*
- Baud rate to *9600*

In this example, the changes are persistent across jobs and across printer power cycles; they remain in effect until you change them again.

```
(%Serial_NV%) <<
    /Password      () def
    /FlowControl/XonXoff def
    /Parity        /None def
    /DataBits      8 def
    /StopBits      2 def
    /Baud          9600 def
>> setdevparams
```

- 1 See [Installing the utility files](#) to locate the printer's utility files.
- 2 View the *DEVPARAM.PS* file in a text editor and substitute the values you want to use for the current values. The possible values for each parameter are listed in the [Parameter values](#) table; the values are case-sensitive and must be entered exactly as shown in the table.
- 3 Save the file.
- 4 The printer's port you are using should be configured to receive PostScript. If you have questions, see [Using Different Printer Language Modes](#) for more information.
- 5 Use one of the following methods to send the file to the printer:
 - **PC users:** Use the DOS **COPY** command to send the file to the printer. (Windows 3.1 users can also use the **Copy** command in the **File Manager**.)
 - **Workstation users:** Send the file to the printer as you would any PostScript file.

Parameter values

Parameter key	Allowed values	Type	Parameter key	Allowed values	Type
FlowControl	XonXoff (software) Dtr (hardware)	string	CheckParity	true false	boolean
Parity	Even Odd None Space	string	On	true false	boolean
DataBits	7 8	integer	Interpreter	PostScript	string
StopBits	1 2	integer	Protocol	Normal Raw Binary	string
Baud	300 600 1200 2400 4800 9600 19200 38400	integer	Enabled	true false	boolean

Other utilities

There are other printer utility files available on the printer's CD-ROM and diskettes that are not described in this section. Refer to the following table for information on other printer features with their accompanying utility file names, then use the instructions in [Downloading files to the printer](#) to download the files you need.

Other printer utility files

Click here for descriptions	Macintosh utility file	PC utility file
Color corrections — making the best selection	<ul style="list-style-type: none"> ■ Commercial Press ■ Euroscale Press ■ Monochrome ■ No Color Correction ■ Simulate Display ■ SNAP Press ■ SWOP Press ■ Vivid Color 	<ul style="list-style-type: none"> ■ COMRCIAL.PS ■ EUROSCAL.PS ■ MONOCHRM.PS ■ NOCORECT.PS ■ DISPLAY.PS ■ SNAPRESS.PS ■ SWOPRESS.PS ■ VIVDCOLR.PS
Print quality modes	<ul style="list-style-type: none"> ■ Enhanced Quality ■ Standard Quality 	<ul style="list-style-type: none"> ■ ENHANCED.PS ■ STANDARD.PS

Other printer utility files

Click here for descriptions

Macintosh utility file

PC utility file

[Image Smoothing](#)

- | | |
|---|--|
| <ul style="list-style-type: none"> ■ Image Smoothing Off ■ Image Smoothing On | <ul style="list-style-type: none"> ■ SMOTHOFF.PS ■ SMOOTHON.PS |
|---|--|

[Cut Media](#)

- | | |
|---|---|
| <ul style="list-style-type: none"> ■ Cut Media After Each Job ■ Cut Media After Each Page ■ Cut Media Never ■ Cut Media Now | <ul style="list-style-type: none"> ■ CUTJOB.PS ■ CUTPAGE.PS ■ CUTNEVER.PS ■ CUTNOW.PS |
|---|---|

[Fusing Mode / Media Fusing](#)

- | | |
|--|--|
| <ul style="list-style-type: none"> ■ Fusing Cold ■ Fusing Hot ■ Fusing None | <ul style="list-style-type: none"> ■ FUSECOLD.PS ■ FUSEHOT.PS ■ FUSENONE.PS |
|--|--|

[Mirror Print](#)

- | | |
|---|--|
| <ul style="list-style-type: none"> ■ Mirror Print Off ■ Mirror Print On | <ul style="list-style-type: none"> ■ MIROROFF.PS ■ MIRRORON.PS |
|---|--|

[Page Rotation](#)

- | | |
|--|--|
| <ul style="list-style-type: none"> ■ Page Rotation None ■ Page Rotation 90 ■ Page Rotation 180 ■ Page Rotation 270 | <ul style="list-style-type: none"> ■ ROTATENO.PS ■ ROTATE90.PS ■ ROTAT180.PS ■ ROTAT270.PS |
|--|--|

The following utility files are described in other locations:

- [Using a PostScript error handler](#)
- [Printing the startup page](#)
- [Printing the configuration page](#)
- [Formatting a SCSI hard disk](#)
- [Initializing a formatted SCSI hard disk](#)
- [Enabling and disabling front panel menus](#)
- [Enabling and disabling SysStart Job execution](#)
- [Using the Tektronix halftone screens](#)
- [Changing the printer's language mode](#)
- [Bi-directional status reporting](#)
- [Using simple color conversions](#)

Tektronix

USING SCSI HARD DISKS

Phaser[®] 600 Wide-Format Color Printer

You can add a SCSI (Small Computer System Interface) hard disk to your printer to store optional fonts.

Click on the following topics for more information:

- [SCSI peripheral devices](#)
- [Selecting a SCSI hard disk](#)
- [Ordering information](#)
- [Connecting a SCSI hard disk](#)
- [Formatting a SCSI hard disk](#)
- [Initializing a formatted SCSI hard disk](#)
- [Enabling and disabling SysStart Job execution](#)

SCSI peripheral devices

The SCSI port is used for connecting these optional peripheral devices:

- Phaser Copystation

To set up the Phaser Copystation and to connect it to your printer, refer to Chapter 2 of the *Phaser Copystation User Manual*. Refer to [Phaser Copystation](#) for ordering information.

- External SCSI hard disk

- Storage for additional downloadable fonts. You can connect one or more SCSI external hard disks to the printer for additional font storage. When you download a font to an external disk, the font remains there until you remove it.

Selecting a SCSI hard disk

NOTE



For additional information on SCSI hard disks, request a document catalog from HAL or EuroHAL, the Tektronix automated fax systems. Refer to [Using the automated fax systems](#) for instructions on using HAL.

For font storage

The Phaser 600 printer can use most SCSI hard disks that support the full SCSI command set. Also, most SCSI hard disks that work with an Apple LaserWriter will work with a Phaser 600 printer. Contact your computer or printer dealer for information.

Ordering information

See [SCSI hard disk](#) for information on ordering a SCSI hard disk, cables, and terminators.

See [Ordering Interface cables and adapters](#) for information on ordering SCSI cables.

Connecting a SCSI hard disk

You can connect one or more SCSI external hard disks to the printer for additional font storage. When you download a font to an external disk, the font remains there until you remove it.

Click on the following topics for more information:

- [Required items](#)
- [Important guidelines](#)
- [Connecting one disk](#)
- [Connecting multiple disks](#)

Required items

To connect an external disk, you need the following items:

- A SCSI peripheral cable for each disk.
The printer uses a SCSI-2, 50-pin connector. See [Ordering Interface cables and adapters](#) if you need a 50-pin connector.
- One SCSI cable terminator, unless one of your disks has an internal terminator.

Important guidelines

When connecting a hard disk to the printer, follow these guidelines:

- The printer can support up to six external disks, **or** four disks and one Copystation.
- You must turn **on** the disk(s) *before* you turn on the printer. Wait at least one minute after turning on the disk(s) before turning on the printer.
- **Terminators:**
 - The printer must always be at one end of the chain with a terminator at the other end (or a terminated device such as the Phaser Copystation).
 - The printer has an internal terminator.
- **SCSI ID numbers:**
 - With multiple disks, each disk must have a unique SCSI ID number. Do not turn on the printer or disk *until each disk has a unique number*.
 - The printer's SCSI number is **7**, and the internal disk is number **4**. Valid ID numbers for the external disk are **0, 1, 2, 3, 5** and **6**.

■ Phaser Copystation:

- If you have a Phaser Copystation connected to the printer, it must be located at one end of the SCSI chain, with the printer at the other end and the external disk(s) in the middle.
- The Copystation uses two SCSI ID addresses, **5** and **6**; therefore, the external disk(s) can use ID numbers **0** through **3**. If you set an external disk to SCSI ID address **5** or **6**, you may see an error on the configuration or startup pages.

■ *Sys/Start* file:

- You may load a startup file called *Sys/Start* onto your external disk. The *Sys/Start* job file is similar to an init file. When you turn on the printer the file executes, providing that *Sys/Start* has been enabled through a control file downloaded to the printer. Refer to [Enabling and disabling SysStart Job execution](#) for more information.

N O T E



If the *Sys/Start* file contains an error, the printer ignores the remainder of the file and may not start up as expected.

- **Format and initialize:**
 - Unless the disk is already formatted for operation with a PostScript printer, you have to format and initialize the disk after connecting it to the printer.
 - Refer to [Formatting a SCSI hard disk](#) and [Initializing a formatted SCSI hard disk](#) after connecting a hard disk.

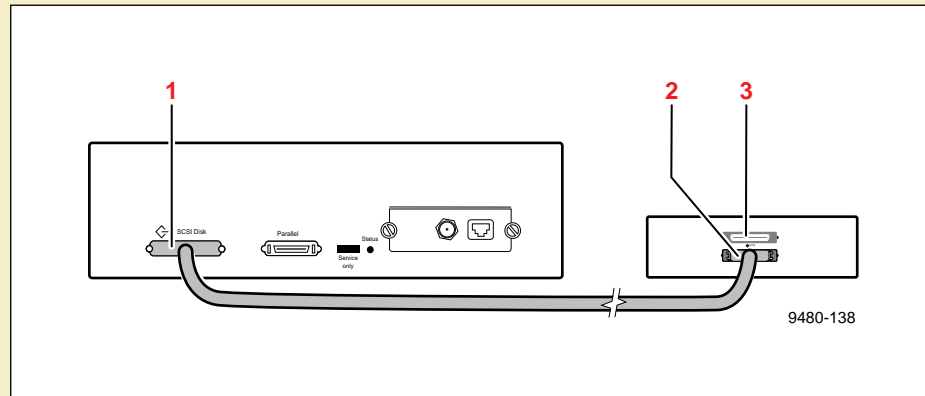
Connecting one disk

CAUTION



To avoid damaging components, turn off the printer, any external disks, and a CopyStation if you have one, before you connect or disconnect a SCSI cable. Turn on the disk, and CopyStation if you have one connected, before you turn on the printer.

- 1 SCSI port
- 2 External disk SCSI port
- 3 Terminator (not required if the disk has a built-in terminator or if you have a Phaser Copystation connected at the other end of the chain).



Connecting multiple disks

C A U T I O N

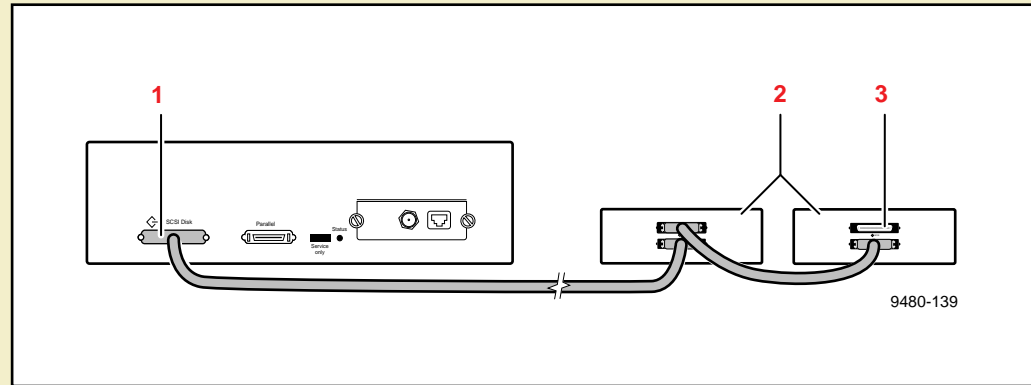


To avoid damaging components, turn off the printer and external disk before you connect or disconnect a SCSI cable. Turn on the disks before you turn on the printer.

The printer can support up to six external disks. When you have more than one disk connected to the printer, follow these guidelines.

- Each disk must have a unique SCSI ID number. Do not turn on the printer or disk until each disk has a unique number.
- The printer must always be at one end of the chain with a terminator at the other end.

- 1 SCSI port
- 2 External disks
- 3 Terminator (not required if the *end* disk has a built-in terminator if you have a Phaser Copystation connected at the other end of the chain). The middle disk must *not* have an internal terminator).



Copystation connected at the other end of the chain). The middle disk must *not* have an internal terminator).

Formatting a SCSI hard disk

CAUTION



The following procedure erases all data from all SCSI hard disks connected to the printer. Disconnect from the printer any hard disk you do not want reformatted, for example, a disk containing fonts.

This procedure formats and initializes all SCSI hard disks connected to the printer so the disks are usable with the PostScript Level 2 Phaser 600 printer. The formatting process *erases all information already on the disk*; be sure you want the disk formatted before you use this procedure. If you have a disk containing information you want to keep, such as fonts, turn off all devices, then disconnect the disk from the printer before using this file to format other disks.

Use this procedure to format and initialize a SCSI hard disk.

NOTE



Some hard disks are formatted at the factory and do not require this formatting procedure; check the documentation that came with your hard disk to see if the disk needs formatting. If your disk is already formatted, go on to [Initializing a formatted SCSI hard disk](#).

C A U T I O N



Once you start the formatting procedure, there is no way to cancel the formatting process.

Click on the following topics for more information:

- [Macintosh users](#)
- [PC and workstation users](#)

Macintosh users

- 1 Refer to [Macintosh software](#) for instructions on installing the printer's files.
- 2 Select the appropriate printer in the **Chooser**.
- 3 Locate the *LaserWriter Utility* in the *PhaserTools* folder on your hard disk, and double-click its icon to start the application.
- 4 Choose **Download PostScript File** from the **Utilities** menu.
- 5 Select the *Format Printer Disks* file from the list, then click **Open**. (This file was installed in the *Printer Utilities* folder inside the *PhaserTools* folder.)
- 6 At the prompt `Save PostScript output as:` you are asked for a file name for saving printer output. Use either the default name given in the edit box or type a new name.
- 7 Click **Save** to send the file to the printer.
- 8 If no output is returned by the printer, the *LaserWriter Utility* displays a dialog box; click **OK** to continue.
If output is returned by the printer, you won't see this dialog box; check your hard disk for the file the utility created for the printer's output.

PC and workstation users

- 1 Refer to [PC/Windows software](#) for instructions on installing the printer's utility files.
- 2 Locate the files in the *PHSR600* subdirectory, inside the *PHSRTOOL* directory created on your hard disk by the installer application.
- 3 Use one of the following methods to send the *FRMTDISK.PS* file to the printer:
 - **PC users:** Use the DOS **COPY** command to send the file to the printer. (Windows 3.1 users can also use the **Copy** command in the **File Manager**.)
 - **Workstation users:** Send the file to the printer as you would any PostScript file.

Initializing a formatted SCSI hard disk

Some hard disks are formatted at the factory; check the documentation that came with your hard disk to see if the disk needs formatting.

If your SCSI hard disk is formatted, it only needs to be initialized. Use this procedure to initialize the hard disk.

If your SCSI hard disk is not formatted, refer to [Formatting a SCSI hard disk](#) for formatting and initializing instructions.

Click on the following topics for more information:

- [Macintosh users](#)
- [PC and workstation users](#)

Macintosh users

- 1 Refer to [Macintosh software](#) for instructions on installing the printer's files.
- 2 Select the appropriate printer in the **Chooser**.
- 3 Locate the *LaserWriter Utility* in the *PhaserTools* folder on your hard disk, and double-click its icon to start the application.
- 4 Choose **Download PostScript File** from the **Utilities** menu.
- 5 Select the *Initialize Printer Disks* file from the list, then click **Open**. (This file was installed in the *Printer Utilities* folder inside the *PhaserTools* folder.)
- 6 At the prompt `Save PostScript output as:` you are asked for a file name for saving printer output. Use either the default name given in the edit box or type a new name.
- 7 Click **Save** to send the file to the printer.
- 8 If no output is returned by the printer, the *LaserWriter Utility* displays a dialog box; click **OK** to continue.
If output is returned by the printer, you won't see this dialog box; check your hard disk for the file the utility created for the printer's output.

PC and workstation users

- 1 Refer to [PC/Windows software](#) for instructions on installing the printer's utility files.
- 2 Locate the files in the *PHSR600* subdirectory, inside the *PHSRTOOL* directory created on your hard disk by the installer application.
- 3 Use one of the following methods to send the *INITDISK.PS* file to the printer:
 - **PC users:** Use the DOS **COPY** command to send the file to the printer. (Windows 3.1 users can also use the **Copy** command in the **File Manager**.)
 - **Workstation users:** Send the file to the printer as you would any PostScript file.

Enabling and disabling SysStart Job execution

The *Set SysStart Job* (*SYSTART.PS*) file enables automatic execution of a file named SysStart (if one is found) on a hard disk connected to the printer's SCSI port, each time the printer is turned on or reset. The SysStart job is similar to an Init file; it executes automatically each time the printer is turned on.

Click on the following topics for more information:

- [Macintosh users](#)
- [PC and workstation users](#)
- [Front panel](#)

Macintosh users

- 1 Refer to [Macintosh software](#) for instructions on installing the printer's utility files.
- 2 Select the appropriate printer in the **Chooser**.
- 3 Locate the *LaserWriter Utility* in the *PhaserTools* folder on your hard disk, and double-click its icon to start the application.
- 4 Choose **Download PostScript File** from the **Utilities** menu.

- 5 Select one of the following files from the list, then click **Open**. (These files were installed in the *Printer Utilities* folder inside the *PhaserTools* folder.)
 - Use the *Set SysStart Job* file to enable automatic execution of the SysStart job.
 - Use the *No SysStart Job* file to disable automatic execution of the SysStart job.
- 6 At the prompt `Save PostScript output as:` you are asked for a file name for saving printer output. Use either the default name given in the edit box or type a new name.
- 7 Click **Save** to send the file to the printer.
- 8 If no output is returned by the printer, the *LaserWriter Utility* displays a dialog box; click **OK** to continue.
If output is returned by the printer, you won't see this dialog box; check your hard disk for the file the utility created for the printer's output.

PC and workstation users

- 1 Refer to [PC/Windows software](#) for instructions on installing the printer's utility files.
- 2 Locate the files in the *PHSR600* subdirectory, inside the *PHSRTOOL* directory created on your hard disk by the installer application.
- 3 Select one of the following files:
 - Use the *SYSTART.PS* file to enable automatic execution of the SysStart job.
 - Use the *NOSYSTRT.PS* file to disable automatic execution of the SysStart job.
- 4 Use one of the following methods to send the desired file to the printer:
 - **PC users:** Use the DOS **COPY** command to send the file to the printer. (Windows 3.1 users can also use the **Copy** command in the **File Manager**.)
 - **Workstation users:** Send a file to the printer as you would any PostScript file.

Front panel

You can also control SysStart Job execution from the printer's front panel.

- 1** Locate the **SCSI Startup Mode** option in the **Printer Defaults** menu. See [Using the Front Panel](#) for instructions on using the printer's front panel.
- 2** Select either **On** or **Off**.



USING THE PRINTER'S PARALLEL PORT

Phaser® 600 Wide-Format Color Printer

Overview

The printer has an asynchronous parallel port that lets you interface with PCs. The parallel port supports uni-directional (default) and bi-directional communications.

Click on the following topics for more information:

- [Disabling timeouts](#)
- [Bi-directional status reporting](#)
- [Parallel port pin signals](#)

Disabling timeouts

When you use the parallel port, be sure to type this command in DOS at the PC (if LPT1 is not available, use LPT2) to disable timeouts. In Windows, connect to LPT1.DOS.

```
MODE LPT1: , , P
```

Bi-directional status reporting

For bi-directional communications, the parallel port supports two modes: Compatibility Mode and Nibble Mode. The interpretation of interface signals depends on the current mode. Compatibility Mode provides host-to-printer communication in a manner compatible with a uni-directional interface. Nibble Mode provides printer-to-host communication and may be combined with Compatibility Mode to provide bi-directional communication.

NOTE



For more information, refer to the IEEE P1284 document for parallel interfaces.

The bi-directional utility files are provided for support of operating systems and applications, such as Windows 95, that are capable of bi-directional status reporting with a printer connected to the parallel port.

You do not need a special cable; refer to [Ordering Interface cables and adapters](#) for information on ordering the standard parallel cable available from Tektronix.

NOTE



Windows 3.0 and 3.1 do not support bi-directional status reporting.

NOTE



The printer is shipped with the uni-directional mode enabled.

- 1 Follow the instructions in [PC/Windows software](#) to install the printer's software. Select **Easy Install** to automatically install the software, or select the *Printer Utilities* item in the **Custom Install: Utilities** window.
- 2 Locate the files in the *PHSR600* subdirectory, inside the *PHSRTOOL* directory created on your hard disk by the installer application.
- 3 Select one of the following files.
 - Use the *BIDIR.PS* file to enable bi-directional status reporting on a parallel port.
 - Use the *UNIDIR.PS* file to disable bi-directional status reporting.
- 4 Use one of the following methods to send the desired file to the printer:
 - **PC users:** Use the DOS **COPY** command to send the file to the printer. (Windows 3.1 users can also use the **Copy** command in the **File Manager**.)
 - **Workstation users:** Send the file to the printer as you would any PostScript file.

Parallel port pin signals

This table shows the parallel port's connected pins; other pins are not connected.

Parallel port signals

Pin	Signal mode names: Compatibility/Nibble	Return pin	Signal source	Description
1	Busy/PtrBusy	19	Printer	<ul style="list-style-type: none"> ■ C mode: Positive true = not ready for data ■ N mode: Data bits 3 then 7, then busy status
2	Select/Xflag	20	Printer	<ul style="list-style-type: none"> ■ C mode: Positive true = online ■ N mode: Data bits 1 then 5
3	nAck/PtrClk	21	Printer	<ul style="list-style-type: none"> ■ C mode: Negative true = data transfer acknowledge ■ N mode: Data qualifier
4	nFault/nDataAvail	22	Printer	<ul style="list-style-type: none"> ■ C mode: Negative true = printer fault exists that prevents printing ■ N mode: Negative low = data ready, then data bits 0 then 4
5	PError/AckDataReq	23	Printer	<ul style="list-style-type: none"> ■ C mode: Positive true = printer error exists, such as media tray empty ■ N mode: Data bits 2 then 6

Parallel port signals (cont'd.)

Pin	Signal mode names: Compatibility/Nibble	Return pin	Signal source	Description
6	Data 1	24	Host	<ul style="list-style-type: none"> ■ C mode: Positive true data input ■ N mode: Not used
7	Data 2	25	Host	<ul style="list-style-type: none"> ■ C mode: Positive true data input ■ N mode: Not used
8	Data 3	26	Host	<ul style="list-style-type: none"> ■ C mode: Positive true data input ■ N mode: Not used
9	Data 4	27	Host	<ul style="list-style-type: none"> ■ C mode: Positive true data input ■ N mode: Not used
10	Data 5	28	Host	<ul style="list-style-type: none"> ■ C mode: Positive true data input ■ N mode: Not used
11	Data 6	29	Host	<ul style="list-style-type: none"> ■ C mode: Positive true data input ■ N mode: Not used
12	Data 7	30	Host	<ul style="list-style-type: none"> ■ C mode: Positive true data input ■ N mode: Not used
13	Data 8	31	Host	<ul style="list-style-type: none"> ■ C mode: Positive true data input ■ N mode: Not used
14	nInit/nHostRTS	32	Host	<ul style="list-style-type: none"> ■ C mode: Negative true = reset interface ■ N mode: Set positive

Parallel port signals (cont'd.)

Pin	Signal mode names: Compatibility/Nibble	Return pin	Signal source	Description
15	nStrobe/HostClk	33	Host	<ul style="list-style-type: none"> ■ C mode: Negative true = transfer data into printer input latch on rising edge ■ N mode: Negative true = transfer Extensibility Request value into printer input latch on rising edge
16	nSelectIn/1284 Active	34	Host	<ul style="list-style-type: none"> ■ C mode: Negative true = select printer ■ N mode: Used in conjunction with HostBusy for 1284 hardware handshaking
17	nAutoFd/HostBusy	35	Host	<ul style="list-style-type: none"> ■ C mode: Not used ■ N mode: Used in conjunction with 1284 Active for 1284 hardware handshaking
18	Host Logic High		Host	<ul style="list-style-type: none"> ■ Positive true = host signals valid ■ Negative true = host signals invalid
36	Peripheral Logic High		Printer	<ul style="list-style-type: none"> ■ Positive true = printer on ■ Negative true = printer off



USING DIFFERENT PRINTER LANGUAGE MODES

Phaser[®] 600 Wide-Format Color Printer

The printer recognizes the following printer or page-description languages:

- PostScript
- HP-GL (Hewlett-Packard's Graphics Language)

PC and workstation users who want to use applications that output data in these different language modes, must first set up a printer port to receive data in a particular language.

Click on the following topics for more information:

- [Installing the files](#)
- [Setting PostScript and HP-GL job and wait timeouts](#)
- [Changing the printer's language mode](#)
- [Testing printer language mode changes](#)
- [Setting default HP-GL pen colors](#)

Installing the files

The utility files are available on the Phaser 600 printer's CD-ROM and diskette.

- 1** Refer to [PC/Windows software](#) for instructions on installing the printer's utility files.
- 2** Locate the files in the *PHSR600* subdirectory, inside the *PHSRTOOL* directory created on your hard disk by the installer application.

Setting PostScript and HP-GL job and wait timeouts

NOTE



The HP-GL job timeout is the same as the PostScript job timeout.

The following timeouts can be set in the printer:

- The **wait timeout** is the amount of time in seconds that the printer waits for data to come from the computer during a job. If the data stream pauses for longer than the specified number of seconds, a timeout error is generated and the job is canceled.
- The **job timeout** is the amount of time any single job may be active before it must print.
 - In PostScript mode, if the value is exceeded, a timeout error is generated.
 - In HP-GL mode, if the timeout value is too small, an image may be split across two pages; if the value is too large, multiple-page prints may be combined on one page.

You can use the *CONFIG.PS* file to change the PostScript and HP-GL job and wait timeout values. When sent to the printer, your edited version of the *CONFIG.PS* file changes the values in the printer, but *only* while the printer is turned on; if the printer is turned off or reset the values return to their defaults. To restore your desired timeout settings, you must send your edited *CONFIG.PS* file to the printer again.

N O T E

The *CONFIG.PS* file affects printer operation. If the printer is shared on a network, using this file may affect the prints requested by other users.

- 1** Configure the printer's port to receive PostScript; see [Printing PostScript files](#) for instructions.
- 2** Locate the utility files on the Phaser 600 printer's CD-ROM; refer to [Installing the files](#) for instructions.
- 3** Copy the *CONFIG.PS* file to your hard disk, and open the file in a text editor.

The default values for the printer are as follows:

- **0** seconds for the job timeout
- **40** seconds for the wait timeout
- **60** seconds for the manual feed timeout.
- A timeout value of **0** indicates no timeout; the printer waits indefinitely.

In the following example, the timeouts are set to their default values.

```
3 dict begin
  /Password () def
    /JobTimeOut 0 def
    /WaitTimeOut 40 def
currentdict end setsystemparams
1 dict begin
  currentpagedevice /ManualFeedTimeout known
{ /ManualFeedTimeout 60 def } if
currentdict end setpagedevice
```

- 4 To change *CONFIG.PS* to specify different timeouts, substitute new values for the following lines.

Time out	Permitted timeout values	Suggested timeout values
JobTimeOut	0, or 15 to 999	0
WaitTimeOut	0 to unlimited	0 (To avoid timeouts or job cancellation on Windows multiple-page or multiple-copy print jobs, you may want to set the WaitTimeOut to a high value or to zero.)
ManualFeedTimeout	0 to unlimited	300 (Five minutes should give you enough time to reach the printer and load media.)
To specify no timeout	0	

NOTE



For timeout problems in Windows, also increase the Windows WaitTimeOut to 999. See [Fixing timeout problems in Windows](#) for instructions.

- 5 Use one of the following methods to send the *CONFIG.PS* file to the printer:
- **PC users:** Use the DOS **COPY** command to send the file to the printer. (Windows 3.1 users can also use the **Copy** command in the **File Manager**.)
 - **Workstation users:** Send the file to the printer as you would any PostScript file.

Changing the printer's language mode

The Phaser 600 printer supports the following printer languages:

- PostScript Level 1 and Level 2
- HP-GL (Hewlett-Packard Graphics Language)

In the factory default configuration, the printer expects to receive PostScript data on all ports. If you want to use an HP-GL application, you must explicitly set up a printer port to receive HP-GL data, or enable Adobe IntelliSelect™ automatic language selection.

Changing the language of the printer between PostScript and HP-GL is port-specific. The ports, such as parallel, serial, or LocalTalk, can each be configured differently. You can change the default language on any port so whenever the printer is turned on it expects to receive PostScript or HP-GL data on a specific port. If automatic language selection is enabled on a particular port, it becomes the default on that port, allowing you to send PostScript and HP-GL files to that port.

Changes to the language on any port remain in effect even if the printer is turned off or reset.

N O T E

The following files affect printer operation. If the printer is shared on a network, using these files may affect the prints requested from other users.

Click on the following topics for more information:

- [Printing PostScript files](#)
- [Printing HP-GL files](#)
- [Enabling automatic language selection](#)

Printing PostScript files

Use the *PSCRIPT.PS* file to change a printer's port to accept *only* PostScript data. After you copy this file to a port, the printer expects PostScript files on that port. The port's language change is persistent across print jobs and across printer power cycles. To use, send the *PSCRIPT.PS* file to the printer.

- 1 Locate the utility files on the Phaser 600 printer's CD-ROM; refer to [Installing the files](#) for instructions.
- 2 Use one of the following methods to send the *PSCRIPT.PS* file to the printer:
 - **PC users:** Use the DOS **COPY** command to send the file to the printer. (Windows 3.1 users can also use the **Copy** command in the **File Manager**.)
 - **Workstation users:** Send the file to a printer as you would any PostScript file.

Printing HP-GL files

Use the *HPGL.PS* file to change a printer's port to accept *only* HP-GL data. After you copy this file to a port, the printer expects HP-GL files on that port. The port's language change is persistent across print jobs and across printer power cycles. To use, send the *HPGL.PS* file to the printer.

- 1 Locate the utility files on the Phaser 600 printer's CD-ROM; refer to [Installing the files](#) for instructions.
- 2 Use one of the following methods to send the *HPGL.PS* file to the printer:
 - **PC users:** Use the DOS **COPY** command to send the file to the printer. (Windows 3.1 users can also use the **Copy** command in the **File Manager**.)
 - **Workstation users:** Send the file to a printer as you would any PostScript file.

Enabling automatic language selection

Use the *AIS.PS* file to change a port to automatic language selection. After you copy this file to a port, the printer accepts PostScript or HP-GL files on that port. The port's language change is persistent across print jobs and across printer power cycles. To use automatic language selection, send the *AIS.PS* file to the printer.

- 1 Locate the utility files on the Phaser 600 printer's CD-ROM; refer to [Installing the files](#) for instructions.
- 2 Use one of the following methods to send the *AIS.PS* file to the printer:
 - **PC users:** Use the DOS **COPY** command to send the file to the printer. (Windows 3.1 users can also use the **Copy** command in the **File Manager**.)
 - **Workstation users:** Send the file to a printer as you would any PostScript file.

Testing printer language mode changes

Click on the following topics for more information:

- [Testing HP-GL mode](#)
- [Testing PostScript mode](#)

Testing HP-GL mode

HPGLTEST.PLT is an HP-GL file that prints a single line of text if the printer is operating in HP-GL mode.

Send the *HPGLTEST.PLT* file to the printer after you send the *HPGL.PS* or *AIS.PS* file, to make sure the language change was made correctly.

- 1 Locate the utility files on the Phaser 600 printer's CD-ROM; refer to [Installing the files](#) for instructions.
- 2 Use one of the following methods to send the *HPGLTEST.PLT* file to the printer:
 - **PC users:** Use the DOS **COPY** command to send the file to the printer. (Windows 3.1 users can also use the **Copy** command in the **File Manager**.)
 - **Workstation users:** Send the file to the printer as you would any utility file.

Testing PostScript mode

PSTEST.PS is a PostScript file that prints a single line of text if the printer is operating in PostScript mode.

Send the *PSTEST.PS* file to the printer after you send the *PSCRIPT.PS* or *AIS.PS* file, to make sure the language change was made correctly.

- 1 Locate the utility files on the Phaser 600 printer's CD-ROM; refer to [Installing the files](#) for instructions.
- 2 Use one of the following methods to send the *PSTEST.PS* file to the printer:
 - **PC users:** Use the DOS **COPY** command to send the file to the printer. (Windows 3.1 users can also use the **Copy** command in the **File Manager**.)
 - **Workstation users:** Send the file to the printer as you would any utility file.

Setting default HP-GL pen colors

Use the *HPGLPENS.PS* file to change the color and width of the default pen colors. The HP 7475A plotter actually has only six pens, but the printer's emulation supports up to 256 pens.

HP-GL pen settings cannot be made persistent across printer power cycles; pen settings revert to the default when the printer is turned off. To restore your pen settings, you must download your edited *HPGLPENS.PS* file to the printer whenever the printer has been turned off or reset.

The pen color change is persistent across jobs but not across printer power cycles; it affects all HP-GL jobs that immediately follow it until the next printer reset.

NOTE



The *HPGLPENS.PS* file affects printer operation. If the printer is shared on a network, using this file may affect the prints requested from other users.

In the *HPGLPENS.PS* file, pen number, pen width, red value, green value, and blue value are listed in parentheses after **/ColorSetup**, as shown below:

```
/ColorSetup (pen_number width red_value  
green_value blue_value...)
```

In the following example, all pen widths are set to **0.35** millimeters. Pen 0 is white (this is the background pen color), pen 1 is black, pen 2 is red, pen 3 is green, pen 4 is blue, pen 5 is cyan, pen 6 is magenta, and pen 7 is yellow.

CTRL-D

```
(%HP7475A%) << /Password (  
/ColorSetup (0 0.35 1.0 1.0 1.0  
1 0.35 0.0 0.0 0.0  
2 0.35 1.0 0.0 0.0  
3 0.35 0.0 1.0 0.0  
4 0.35 0.0 0.0 1.0  
5 0.35 0.0 1.0 1.0  
6 0.35 1.0 0.0 1.0  
7 0.35 1.0 1.0 0.0)
```

```
>> setdevparams
```

CTRL-D

Allowable values for pen numbers are **0** through **255**. Pen width is measured in millimeters. Red, green, and blue values can be any number between **0.0** and **1.0**. The following table shows the red, green, and blue combinations for each of the eight basic colors.

Pen color number	Color	Red value	Green value	Blue value
0	white	1.0	1.0	1.0
1	black	0.0	0.0	0.0
2	red	1.0	0.0	0.0
3	green	0.0	1.0	0.0
4	blue	0.0	0.0	1.0
5	cyan	0.0	1.0	1.0
6	magenta	1.0	0.0	1.0
7	yellow	1.0	1.0	0.0

To add a new pen, you must redefine pens 0 through 7 first, then add the new pens you want.

To set pen widths and colors to values other than those in the *HPGLPENS.PS* file, follow these steps:

- 1** Configure the printer's port to receive PostScript; see [Printing PostScript files](#) for instructions.
- 2** Locate the utility files on the Phaser 600 printer's CD-ROM; refer to [Installing the files](#) for instructions.
- 3** Copy the *HPGLPENS.PS* file to your hard disk, and open the file in a text editor.

- 4 Edit the file and substitute the values you want for those in the file. Color values can be any decimal number between **0.0** and **1.0**.

For example, to change pen 4 to a purple color and a width of .5 mm, edit the *HPGLPENS.PS* file and change the line for pen number 4 to the following:

```
4 0.5 1.0 0.0 0.5
```

- 5 When you have finished editing the file, use one of the following methods to send the *HPGLPENS.PS* file to the printer:
 - **PC users:** Use the DOS **COPY** command to send the file to the printer. (Windows 3.1 users can also use the **Copy** command in the **File Manager**.)
 - **Workstation users:** Send the file to the printer as you would any PostScript file.



CARING FOR YOUR PRINTER

Phaser[®] 600 Wide-Format Color Printer

Overview

Click on the following topics for more information on cleaning procedures:

- [Cleaning hints](#)
- [Quick cleaning](#)
- [Occasional cleaning](#)
- [Emptying the waste bin](#)
- [Repacking and moving the printer](#)

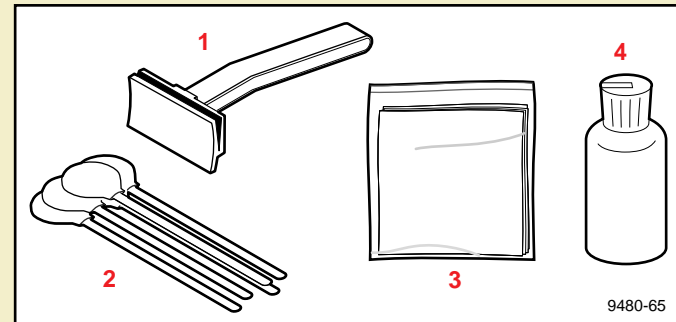
Cleaning hints

To ensure the best print quality and the most reliable printer operation, follow these simple guidelines:

- Use only Tektronix ColorStix[®] ink sticks specifically made for the Phaser 600 printer.
- Never load broken ink sticks into the printer.
- Keep the ink sticks protected from dirt, dust, and breakage.
- Do not handle the ink sticks except when loading them into the printer. Excessive handling can cause the ink sticks to jam or break.
- To maintain print quality, use the information in [Troubleshooting](#).
- Clean the printer regularly, as described in this chapter.

- Power can remain **ON** while cleaning.
- Make sure that you use isopropyl alcohol that is at least **90% pure** (99% yields the best results).
- The Cleaning Kit that is shipped with the printer includes the following items:

- 1 Cleaning tool
- 2 Foam cleaning swabs
- 3 Lint-free cleaning cloths
- 4 Empty bottle for isopropyl alcohol



- The replacement Cleaning Kit (016-1400-00) also includes 10 pre-soaked alcohol cloths.
- You can separately order a pack of 10 pre-soaked alcohol cloths (006-7824-00).

Quick cleaning

As a general rule, you will get the best results from your printer if you perform these quick cleaning procedures once a week or according to how much media you have used.

Click on the following topics for more information:

- [Feed rollers and paper guides](#)
- [Transport rollers](#)
- [Drum](#)

Feed rollers and paper guides

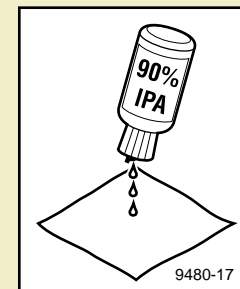
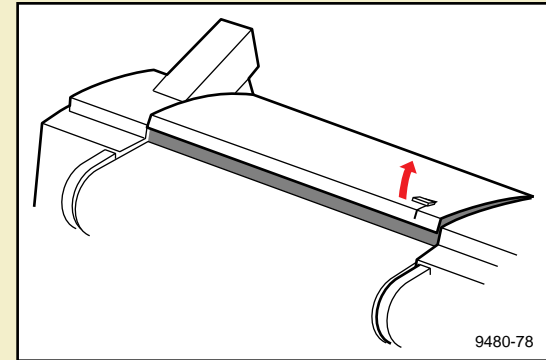
Clean the feed rollers and paper guides after every 80 E-size (34 x 44 in.) sheets of media (approximately 100 m/300 ft. of 36-inch wide roll media).

NOTE

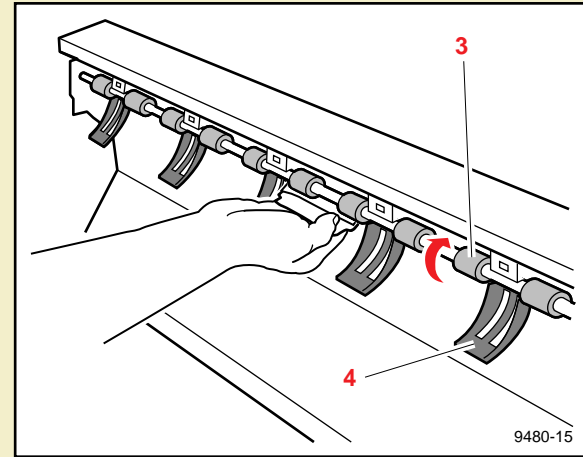


If any paper is currently loaded, remove it and set it aside.

- 1 To open the top cover, lift the latch that is on the upper right side of the printer; then lift the cover.
- 2 Moisten a lint-free cloth with 90% pure isopropyl alcohol (or use a pre-soaked alcohol cloth).



- 3 Wipe each of the feed rollers. Using your hand, rotate each roller to clean its entire surface.
- 4 Wipe each of the paper guides gently.



C A U T I O N 

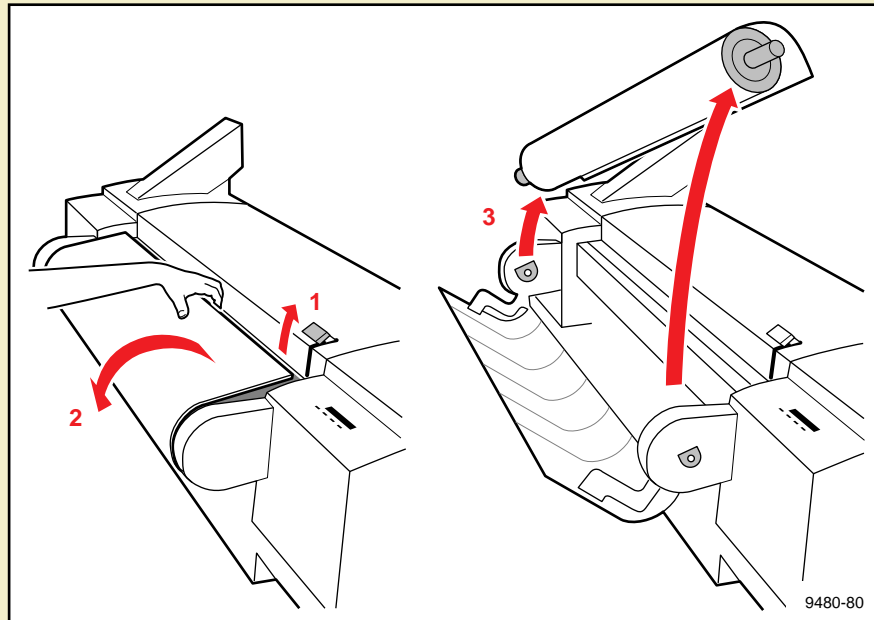
If you press too hard on the paper guides, they can become detached; to avoid this, use your free hand to support the guide as you clean it with the other. If a guide does become detached, carefully snap it back into place.

Transport rollers

Clean the transport rollers after every 80 E-size (34 x 44 in.) sheets of media (approximately 100 m/300 ft. of 36-inch wide roll media) or if you observe vertical offset in your prints.

Removing the media roll

- 1** Lift the top cover latch (on the upper right side of the printer).
- 2** Open the paper roll cover.
- 3** Remove the media roll.

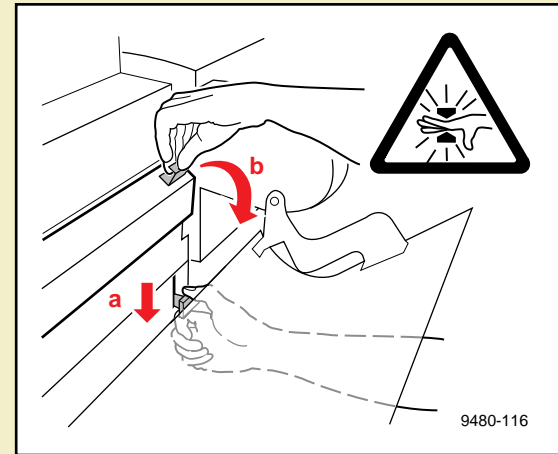


Cleaning the transport rollers

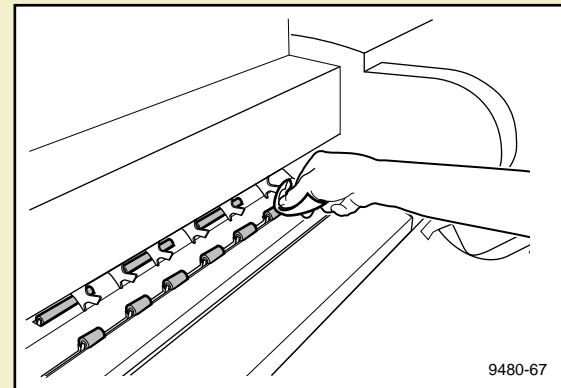
- 1 To open the exit cover, push the latch (a, on the lower right side of the printer) **DOWN**, while holding the exit cover handle (b); slowly rotate the cover down.

WARNING

When lowering the exit cover, be careful not to pinch your hand between the paper roll cover and the exit cover



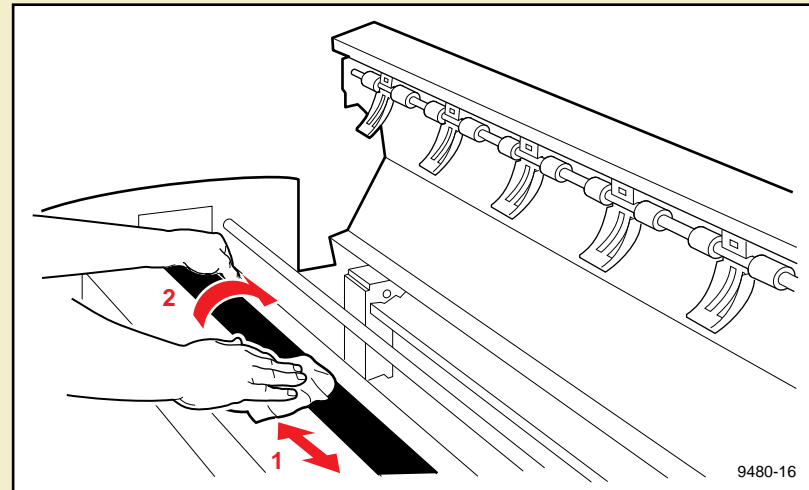
- 2 Using a lint-free cloth that has been moistened with isopropyl alcohol (or a pre-soaked alcohol cloth), gently wipe each of the transport rollers to remove any dust or residue.
- 3 Rotate each roller to make sure that you clean its entire surface.



Drum

Clean the drum after every 80 E-size (34 x 44 in.) sheets of media, which is approximately 100 m/300 ft. of 36-inch wide roll media (two media rolls).

- 1** Using a large, lint-free cloth soaked with isopropyl alcohol (or a pre-soaked alcohol cloth), wipe the entire length of the drum to remove any dust or wax residue.
- 2** Using your hand, rotate the drum to expose and clean more of the drum; clean its entire surface in this manner.



Occasional cleaning

Perform these occasional cleaning procedures when you notice a problem with the print quality or media feed reliability. Each procedure indicates a general guideline.

Click on the following topics for more information:

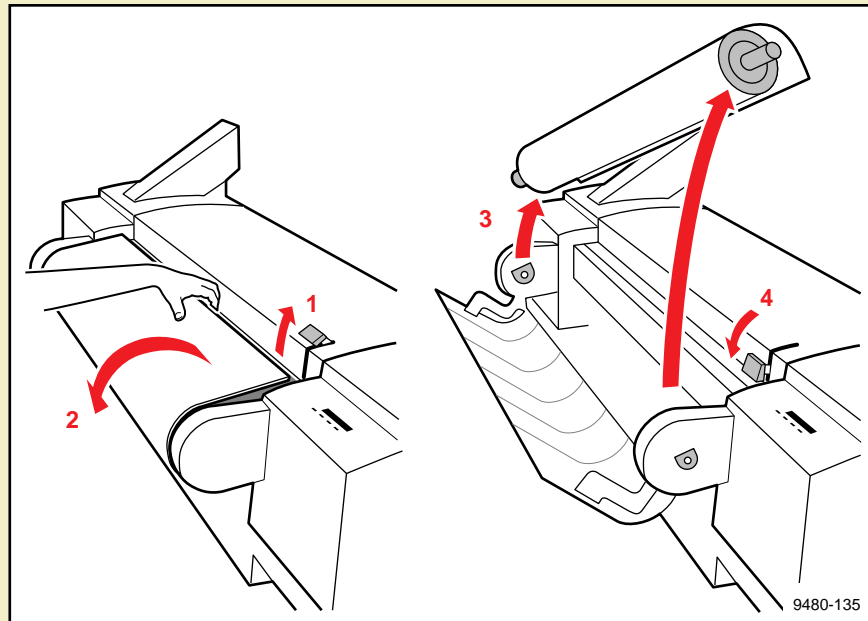
- [Back tension blade and paper clamp](#)
- [Clamp rollers](#)
- [Fuser shuttle and exit rollers](#)
- [Ink loader](#)
- [Cleaning the printhead](#)

Back tension blade and paper clamp

- Clean the back tension blade when you notice ink on the leading margin of the print.
- Clean the paper clamp when the printer experiences frequent media jams.

Removing the media roll

- 1** Lift the top cover latch (on the upper right side of the printer).
- 2** Open the paper roll cover.
- 3** Remove the media roll.
- 4** Lock the top cover latch by pressing it down.



Setting the front panel for cleaning access

- 1 On the printer's front panel, press the **Menu** button; the printer displays this message:

```
Help Pages
<----      ---->      Menu
```

- 2 Press the arrow button (--->) until you see this message:

```
Utilities
<----      ---->      Menu
```

- 3 Press the **Menu** button; the printer displays this message:

```
Test Print
<----      ---->      Menu
```

- 4 Press the arrow button until you see this message:

```
Clean Paper Clamp
<----      ---->      Select
```

- 5 Press the **Select** button. This raises the paper clamp. The front panel displays this message:

```
Open Top Cover
```

Cleaning the back tension blade

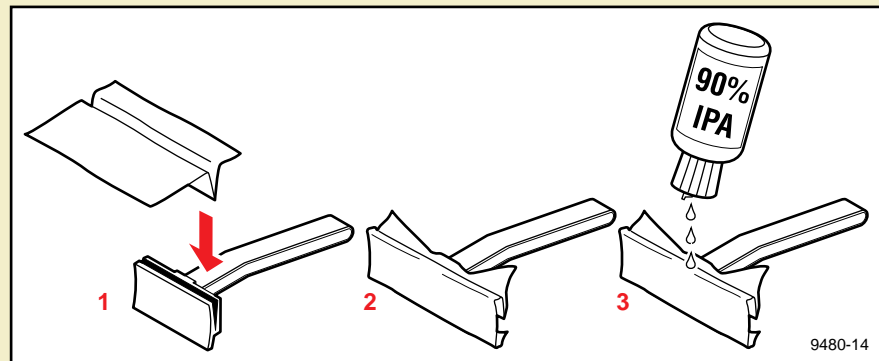
WARNING

The back tension blade, the steel belt behind it, and the paper clamp are very sharp. To avoid personal injury, make sure that you use the cleaning tool and keep your hands away from the blade and belt.

NOTE

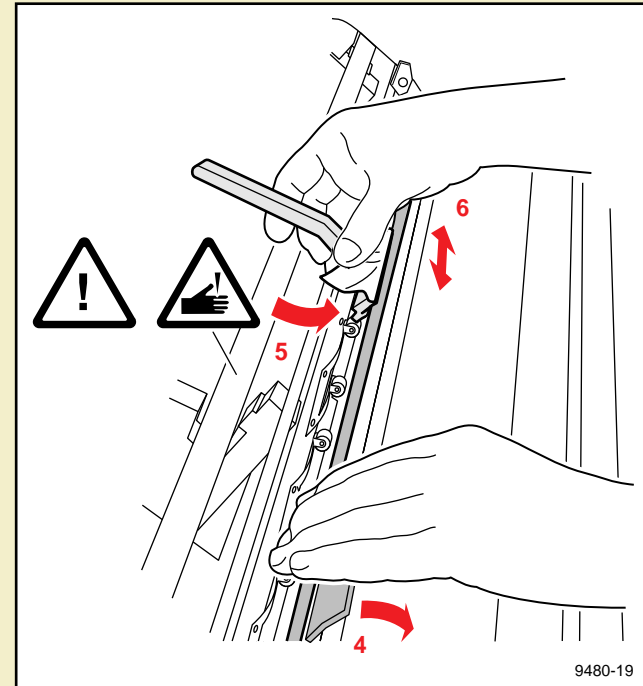
For better visibility, you can pull the printer away from the wall and access it from behind.

If the lint-free cloth has not been folded, fold it in thirds, as shown.



- 1** Insert the folded edge of the cloth into the “V” opening of the cleaning tool.
- 2** Wrap the cloth around the edges of the tool, as shown.

- 3 If you are using a dry cloth, moisten it with 90% pure isopropyl alcohol.
- 4 Pull forward on the back tension blade's handle and hold it in that position; this lifts the blade away from the drum.
- 5 Use your fingers to hold the cloth against the tool. Position the tool under the blade; it notches onto the blade to serve as a guide, cleaning the front and back of the blade at the same time.
- 6 Clean one section of the blade by wiping back and forth 3-4 times with pressure.
- 7 Switch hands to clean the other end of the blade.

**N O T E**

If the blade is especially dirty, you may need to add more alcohol to the lint-free cloth or use a new cloth.

Cleaning the paper clamp

CAUTION

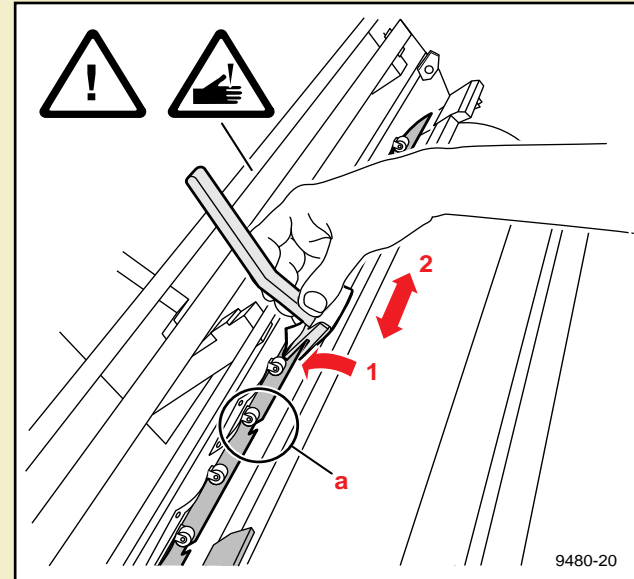


Make sure that you have set the printer's front panel to **Clean Paper Clamp** ([Setting the front panel for cleaning access](#)); this allows easy access to the parts of the printer that need to be cleaned.

- 1 Using a lint-free cloth that has been moistened with 90% pure isopropyl alcohol and inserted into the cleaning tool (see [Cleaning the paper clamp](#)), place the “V” opening of the tool over the paper clamp.
- 2 Clean the clamp by wiping back and forth 3-4 times with *gentle* pressure. Clean a small section at a time and repeat the process until the entire clamp is clean.

C A U T I O N

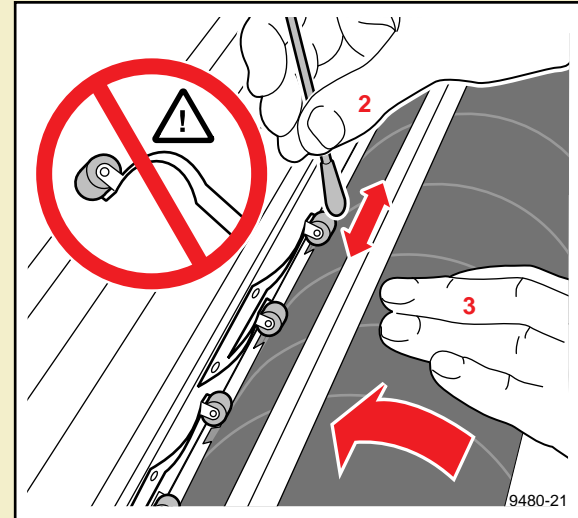
The paper clamp is more flexible than the back tension blade; when cleaning the clamp, do not use as much pressure as in the previous procedure, or you might bend the clamp. Do not twist the tool when cleaning, or you might bend the clamp or catch the cloth on the clamp’s “cutouts” (**a**).



Clamp rollers

The clamp rollers are located behind the drum. Clean them when you notice ink offsetting or ink smears on your prints.

- 1** Use a foam swab from the cleaning kit that has been moistened with 90% pure isopropyl alcohol.
- 2** Clean the surface of the roller by rubbing it with the swab.
- 3** Rotate the drum away from you (toward the back of the printer); this rotates the clamp rollers. Clean the entire surface of the roller.



CAUTION



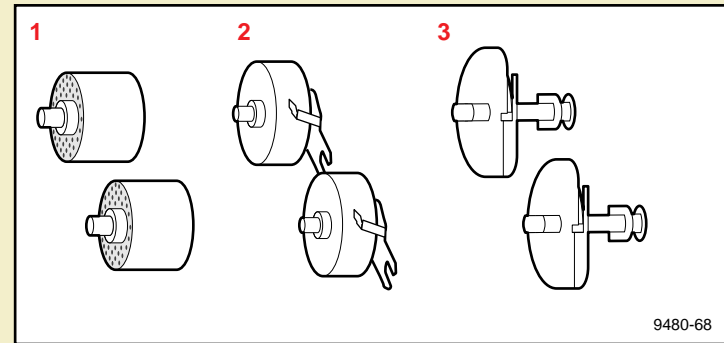
Do not pull the roller away from the drum; the metal that attaches it to the printer is very flexible and can be permanently bent.

- 4** Repeat Steps **2** and **3** for each of the rollers.

Fuser shuttle and exit rollers

When you notice ink offsetting (most often occurring when fusing is turned on), or ink smears (most often occurring when fusing is turned off) on your prints, you can do the following:

- Clean the fuser shuttle and fuser wheel.
- Replace the fuser components.
- Clean the exit rollers.



The fuser kit (order number 016-1472-00) contains these replaceable parts:

- 1 2 foam oiler wheels:** Replace when you replace the fuser wheel.
- 2 2 fuser wheels:** Replace after printing 100-200 E-size (34 x 44 in.) sheets (approximately 100-200 m/300-600 ft. of 36-inch wide media roll).
- 3 2 cutters:** Replace if paper cuts appear jagged or your printer experiences exit jams due to the cutter.

Setting the front panel

NOTE



Make sure that the media roll is not loaded and the printer's front panel displays **Ready**.

- 1 On the printer's front panel, press the **Menu** button; the printer displays this message:

```
Help Pages
<----      ---->    Menu
```

- 2 Press the arrow button (--->) until you see this message:

```
Utilities
<----      ---->    Menu
```

- 3 Press the **Menu** button; the printer displays this message:

```
Test Print
<----      ---->    Menu
```

4 Press the arrow button until you see this message:

```
Change Fuser or Cutter  
<----      ---->   Select
```

Press the **Select** button. The fuser shuttle moves to the far right side of the printer and the front panel displays this message:

```
Open Exit Cover
```

Refer to [Exposing the fuser shuttle](#) for instructions.

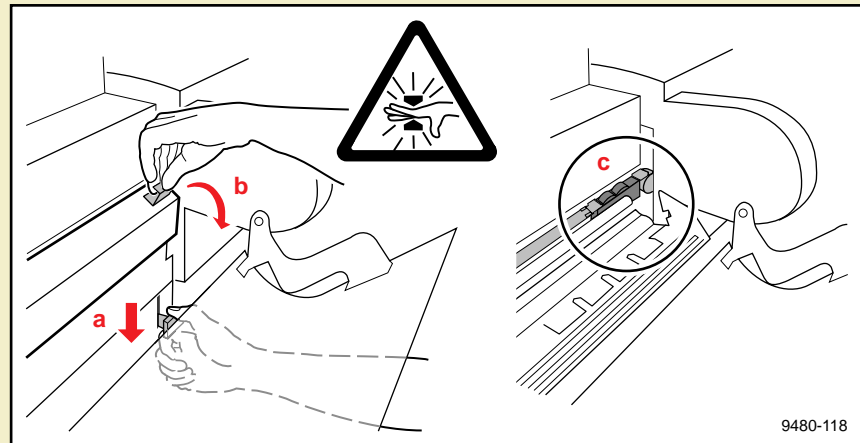
Exposing the fuser shuttle

NOTE



If you have not already removed the media roll, do it now.

- 1 To open the exit cover, push the latch (**a**, on the lower right side of the printer) **DOWN**, while holding the exit cover handle (**b**); slowly rotate the cover down. The fuser shuttle (**c**) is visible on the far right, inside the printer.



WARNING



When lowering the exit cover, be careful not to pinch your hand between the paper roll cover and the exit cover.

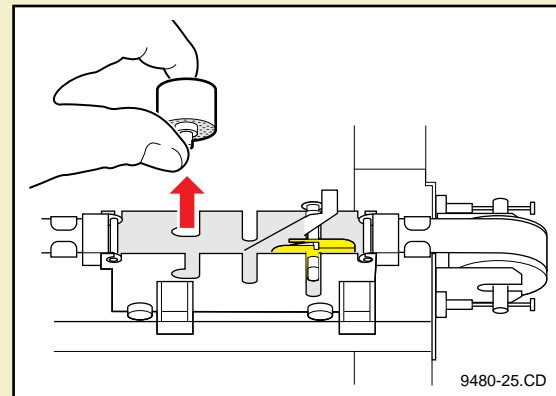
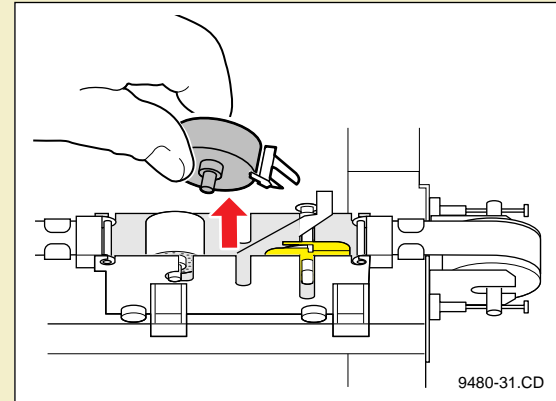
Removing the fuser components

NOTE



You must remove the fuser wheel before the foam oiler wheel.

- 1 Remove the fuser wheel (and media support) by lifting it out of the printer.
- 2 Remove the foam oiler wheel. Be careful not to squeeze the foam; it is filled with oil and the oil might drip.



3 Remove the cutter:

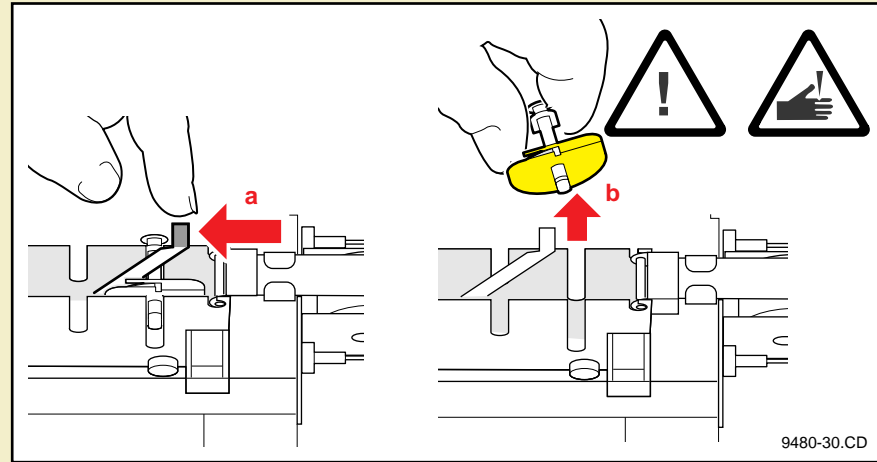
W A R N I N G 

The cutter blade is sharp. To avoid injury, always handle it by its shaft or yellow protective cover.

a Slide the lever on the cutter to unlock it.

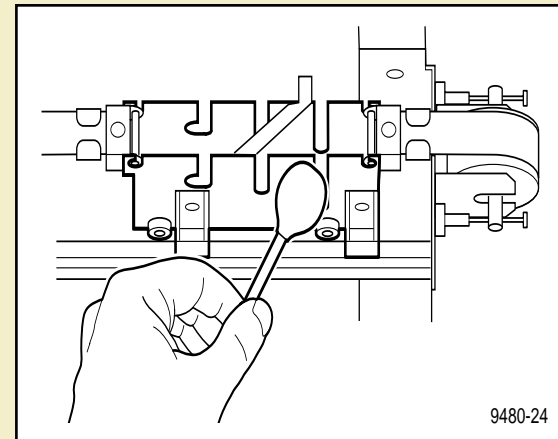
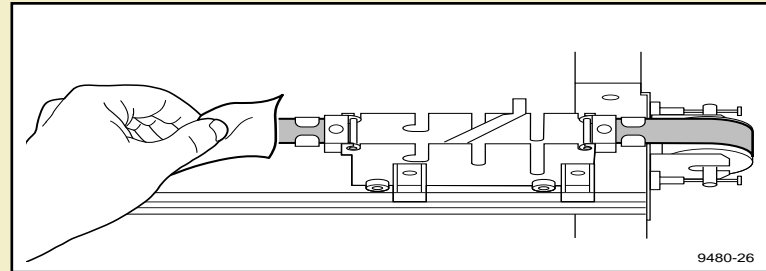
b Lift the cutter out of the printer.

4 If you are replacing the fuser components, dispose of the old components as normal office waste.



Cleaning the fuser shuttle

- 1** If you have a small vacuum or air canister, use it to remove the paper dust.
- 2** Clean the belt (near the foam oiler wheel) with a *dry*, lint-free cloth.
- 3** If you notice ink in the fuser shuttle area, wipe it with a foam swab that has been moistened with 90% isopropyl alcohol.

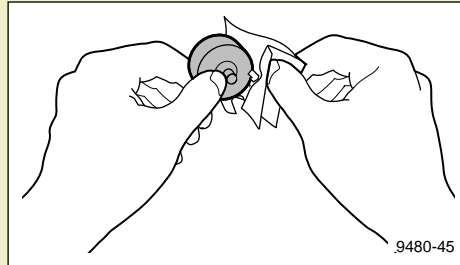


CAUTION



Be careful not to get any alcohol on the front and rear rails of the fuser shuttle or the “shelf” underneath the shuttle. It is oiled for smooth travel and the alcohol will remove the lubricant.

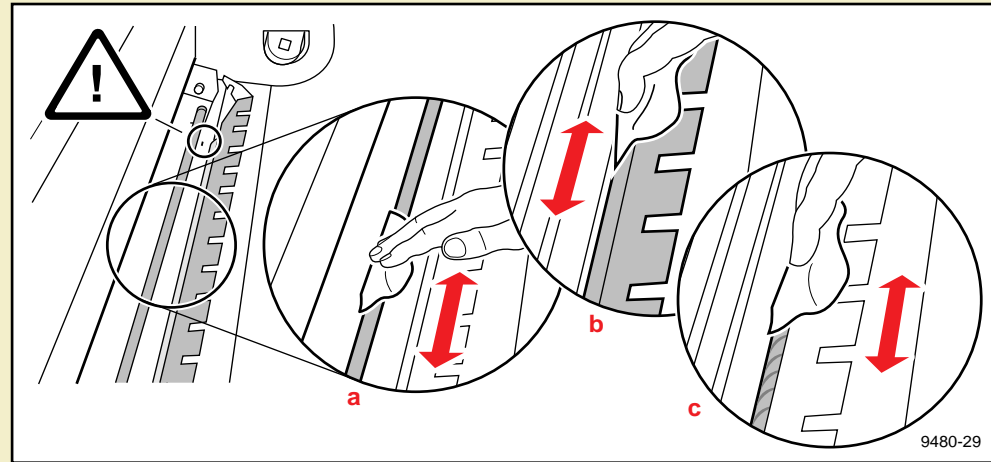
- 4 If you are *not* replacing the fuser wheel, wipe it with an alcohol- moistened lint-free cloth.



Cleaning the exit rollers

Clean the exit rollers whenever you clean the fuser shuttle or replace its components.

Using an alcohol-moistened lint-free cloth, clean these parts:



- a** Wipe the metal exit roller thoroughly to remove any paper dust build-up; turn the roller to clean its entire surface.
- b** Wipe the metal fuser plate (especially the section closest to the rubber roller) to remove dust and ink.
- c** Wipe the rubber exit roller thoroughly; turn the roller to clean its entire surface.

C A U T I O N

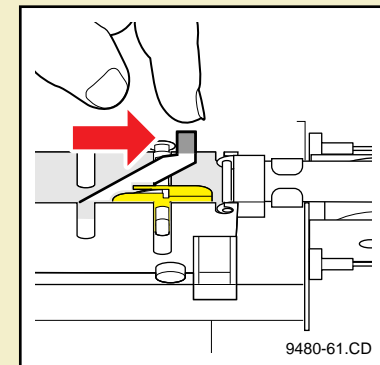
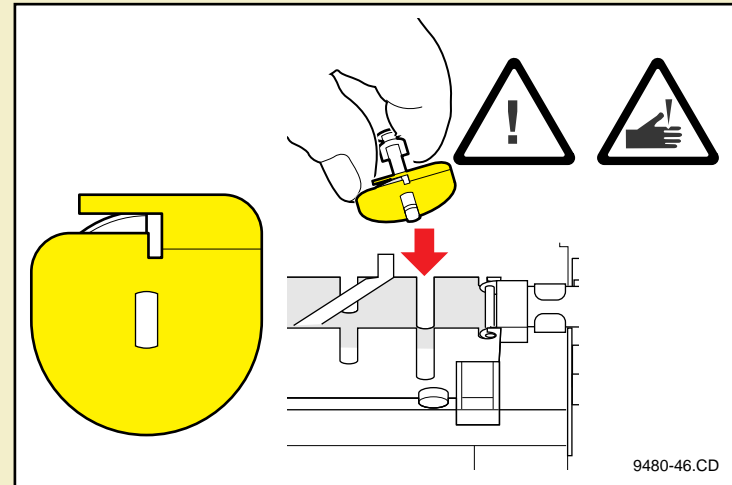


To avoid damaging or obscuring the exit sensor, do not get any alcohol on it.

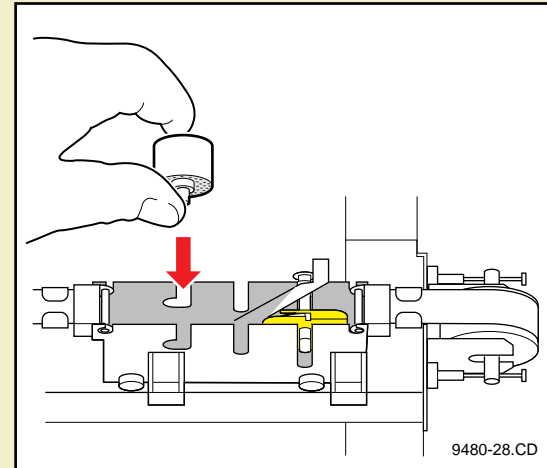
Inserting the fuser components

Whether you are inserting new components or re-inserting the existing ones, follow these steps:

- 1** Insert the cutter blade into its slot on the fuser shuttle, making sure that the exposed blade is facing up, as shown.
- 2** Make sure that the cutter is seated in the slots on the fuser; secure the cutter by sliding the locking lever.



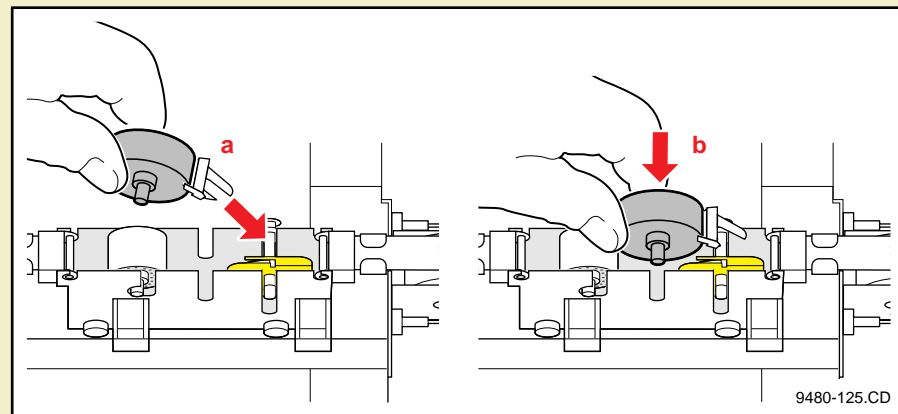
3 Holding the foam oiler wheel by its shaft, insert it into its slot on the fuser shuttle. Be careful not to squeeze the foam; it is filled with oil and the oil might drip.



4 Insert the fuser wheel (and the media support):

a Hook the prongs of the media support onto the cutter's shaft.

b Lower the fuser wheel into its slot on the fuser shuttle. Once in place, spin the fuser wheel to ensure that it is installed properly.



- 5 Make sure the fuser shuttle is pushed to the far right or left, then close the exit cover. If it is open, close the top cover and press down on the latch. When the printer warms up, the front panel displays Ready.
- 6 Reinstall the media roll and close the paper roll cover.

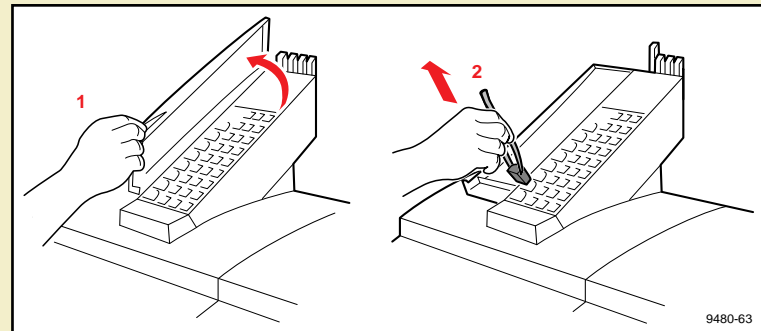
Ink loader

Clean the ink loader if you notice these symptoms:

- Ink sticks do not fall when the slider(s) are pulled back.
- Sliders do not move easily (sticking).
- Ink loader jams.

Follow these steps to clean the ink loader:

- 1** Open ink loader cover.
- 2** Remove any ink sticks that are still in the ink loader. Use a pair of tweezers or a sharp knife.

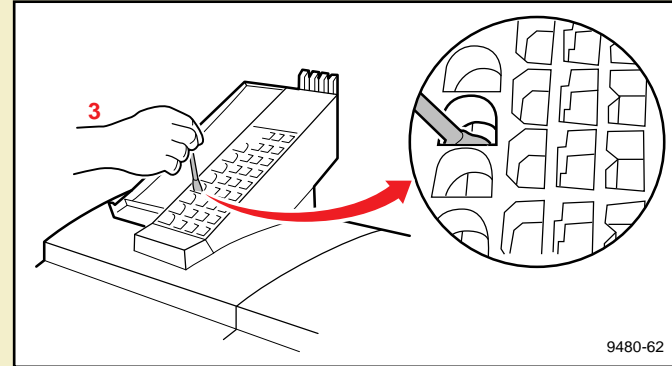


NOTE



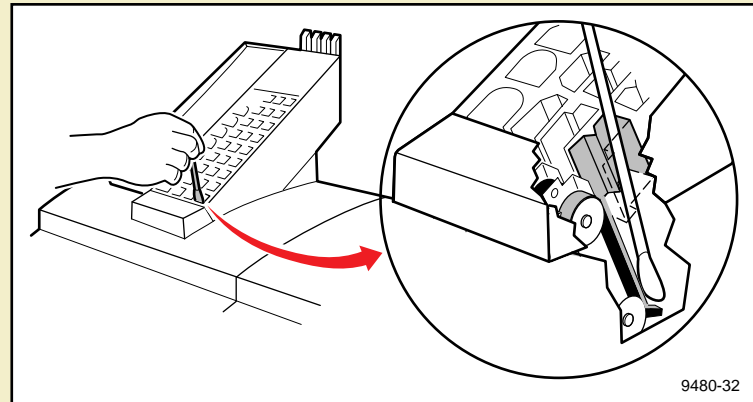
If you need to remove the ink loader, first remove all ink sticks from the ink loader. Refer to [Removing the ink loader](#) for instructions.

- 3** Insert an alcohol-moistened swab into each opening and wipe back and forth to remove any ink residue.



- 4** Clean the bottom opening for each color.

- a** Using an alcohol swab, wipe all parts of the belt that are accessible.
- b** Wipe the opening around the belt that may have ink build-up.



- 5 After cleaning the ink loader, reload the ink sticks and close the cover.

Cleaning the printhead

If your prints have missing dots or a missing horizontal line, clean the printhead, using the front panel menu function:

- 1 Press the **Menu** button on the front panel.
- 2 Press an arrow button (--->) until the front panel displays this message:

```
Utilities  
<--- ---> Menu
```

- 3 Press the **Menu** button.
- 4 Press an arrow button until the front panel displays this message:

```
Clean Head  
<--- ---> Select
```

- 5 Press the **Select** button.

The front panel displays messages while it cleans the printhead; this takes approximately 5 minutes.

- 6 Press an arrow button until you see this message:

```
Test Print  
<---    ---> Print
```

- 7 Press the **Print** button; the Test Print demonstrates the condition of the printhead jets.

If this does not clear the problem, turn the printer off for two hours. When you turn the printer on again, print the Test Print from the Utilities menu in the front panel. If the problem still exists, you may need to call for a service technician to manually clean the head wiper. Refer to [If you need help](#) for information.

Emptying the waste bin

The waste bin remains locked in place until it needs emptying. There are two conditions when you should empty the waste bin:

- [Front panel displays Empty Waste Bin](#)
- [Before moving the printer](#): When you prepare the printer for shipment or move the printer a long distance, in which case you must use the **Utilities** menu.

NOTE



Each time you remove the waste bin, be sure to empty it completely.

Used ink is nontoxic; it can be treated as normal office waste.

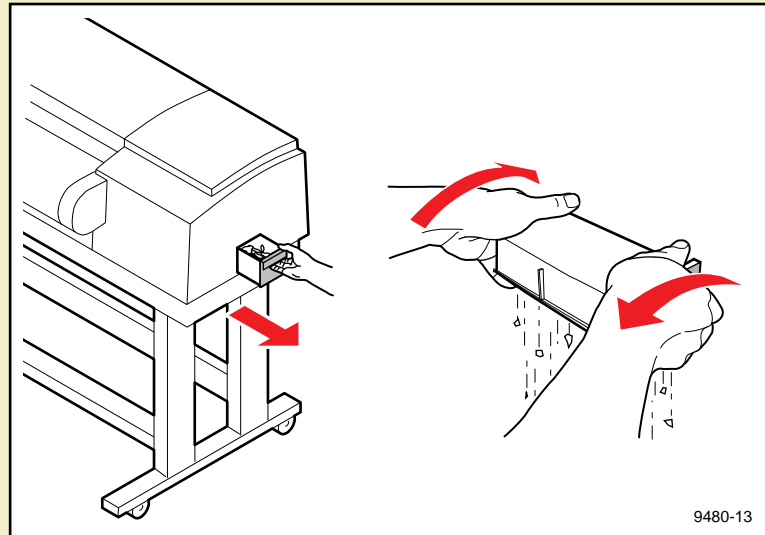
Front panel displays Empty Waste Bin

NOTE



The waste bin is locked during normal operation. Do not pull the bin out unless the front panel message is displayed.

- 1** Remove the waste bin by sliding it out. You may have to tug *gently* on the waste bin to remove it.
- 2** Empty the contents of the waste bin by gently twisting it while holding it over a trash bin.
- 3** Replace the waste bin in the printer.



CAUTION



Do not load used ink into the printer. Reusing waste ink ruins the printhead and invalidates the printer warranty.

Before moving the printer

The printer locks the waste bin in place until it needs emptying. However, you can use the **Utilities** menu to unlock the waste bin so that you can empty it before the front panel message prompts you to do so.

- 1 When the printer is on and the Ready message appears in the front panel, access the Utilities menu by pressing the **Menu** button, then press an arrow button until you see this message:

```
Utilities  
<---    --->  Menu
```


- 2 Press the **Menu** button.
- 3 Press an arrow button until you see this message:

```
Unlock Waste Bin  
<---    --->  Select
```

- 4 Press the **Select** button to unlock the waste bin. The front panel displays this message:

```
Waste Bin Unlocked
```

- 5 Remove and empty the waste bin (see [Front panel displays Empty Waste Bin](#)), then re-insert it into the printer.

- 6 Press the  button on the front panel until the Ready message appears in the display.
- 7 Turn off the printer. Refer to [Repacking and moving the printer](#) for information on how to prepare the printer for shipment or a long move.

Repacking and moving the printer

Click on the following topics for more information:

- [Before you begin](#)
- [Cables and media](#)
- [Ink loader](#)
- [Clean-up](#)
- [Repack the printer](#)

Before you begin

- 1** Empty the waste bin (refer to the instructions on [Before moving the printer](#)); then turn the printer off.
- 2** Let the printer cool down for 15 minutes before you move it so that the ink has time to solidify.

Cables and media

- 1** Remove the power cord and any network cables.
- 2** Open the top cover and paper roll cover; rewind the media onto the roll and remove the roll.
- 3** Remove the paper roll from the holder and repack the paper roll in its original shipping box.
- 4** Re-insert the empty paper roll holder into the printer; close the paper roll cover.

Ink loader

- 1** Open the ink loader cover and remove any unused ink sticks. You can use tweezers to remove any ink sticks that you cannot remove with your hands.
- 2** Use an alcohol swab to clean inside the ink loader (see [Ink loader](#)).
- 3** Detach the ink loader from the printer and repack it in its original shipping box.

Clean-up

- 1 Use a lint-free cloth to wipe off any dirt, dust, or oil in and on the printer.
- 2 Repack any other accessories in the original Tektronix shipping box(es). If you do not have the original Tektronix shipping boxes, contact Tektronix for a repackaging kit.

Repack the printer

- 1** Re-insert these shipping restraints:
 - a** Transit restraint for the printhead.
 - b** Shipping blocks for the fuser.
 - c** Shipping block for the top cover latch.
- 2** Close all doors and secure them with adhesive tape.
- 3** Retract the leveling legs under the printer; this allows clearance for the printer to move freely on its wheels.
- 4** Unlock the front casters (push the locking lever to the *up* position).
- 5** Attach the pallet ramps to the pallet (refer to the *Phaser 600 Repacking Instructions*).
- 6** Carefully guide the printer onto the pallet.

W A R N I N G

Because of its size and weight, always use two people to move the printer off or onto the ramps. Failure to do so may injure a person or damage the printer.

- 7** Secure the printer to the pallet with the original packing materials.
- 8** Repack the printer in the original Tektronix shipping box. If you need replacement packaging, contact Tektronix for the Repackaging Kit.
- 9** Use the restrapping kit to secure the printer and its components.

To keep your warranty valid, you must first empty the waste bin, remove the ink sticks from the ink loader, detach the ink loader, replace the transit restraint on the printhead, then ship the printer in its Tektronix shipping box with the appropriate packing materials. Call Tektronix at **1-800-835-6100** or your nearest Tektronix dealer for replacement packaging.

C A U T I O N

To keep your warranty valid, you must first empty the waste bin, remove the ink sticks from the ink loader, detach the ink loader, replace the transit restraint on the printhead, then ship the printer in its Tektronix shipping box with the appropriate packing materials. Call Tektronix at 1-800-835-6100 or your nearest Tektronix dealer for replacement packaging.



TROUBLESHOOTING

Phaser[®] 600 Wide-Format Color Printer

If you need help

If you need assistance, contact your local Tektronix dealer or sales representative or any of these listed resources:

Type of service	How to access	Details
Product Support Hotline	1-800-835-6100 US & Canada	Monday through Friday 6:00 am to 5:00 pm PST
Printer service	1-800-835-6100 US 1-800-563-1289 Canada Outside US & Canada: contact local Tektronix dealer or office	Monday through Friday 6:00 am to 5:00 pm PST
The Tektronix Bulletin Board Service (BBS)	(503) 685-4504	24 hours/day, 7 days/week
Online services		
Technical support:	support@ColorPrinters.tek.com	
World Wide Web	http://www.tek.com/Color_Printers/	
Anonymous ftp server	ftp.tek.com/Color_Printers	
America Online	keyword Tektronix	
CompuServe	go Tektronix	

Type of service**How to access****Details**

HAL automated fax system

(503) 682-7450
direct outside US and Canada

24 hours/day, 7 days/week

1-800-835-6100
toll-free for US and Canada

24 hours/day, 7 days/week

EuroHAL

Refer to [Using the automated fax systems.](#)

24 hours/day, 7 days/week

Downloading files from the Tektronix Color Printer Information Server

Unix and VMS workstation utility files included with the printer on a PC diskette let you set up the printer to select between media trays, print quality modes, color correction modes and other features. If you don't have the means of transferring these files from the PC diskette, you can request files from the Tektronix Color Printer Information Server, an automatic file serving program on the Internet that responds to requests for files.

If you can exchange electronic mail with other Internet sites, you can access the Tektronix Color Printer Information Server. From this server you can retrieve driver and utility files and color printer information.

Send your electronic mail requests for files to the following address:

color_printer_info@TEKTRONIX.TEK.COM

To receive the list of information available on the server, type the following at the **Subject** prompt:

send index

To examine the full index for any library, type:

send index from *library-name*

To request a single file from a directory, type:

send *filename* from *library-name*

To determine file size, type:

send list of *filename* from *library-name*

Using the automated fax systems

As an alternative to using the Customer Support Hotline, and to provide up-to-date information quickly, Tektronix has set up HAL and EuroHAL, two interactive, automated fax systems. These automated fax systems provide Macintosh, PC, and workstation users with the latest technical hints and tips (like color matching), solutions to common technical problems, and application notes (like CorelDRAW! and QuarkXPress).

You may call HAL or EuroHAL from anywhere in the world. The fax systems are available 24 hours a day, seven days a week.

Click on the following topics for more information:

- [Use HAL in the U.S.A. and Canada](#)
- [Use EuroHAL in Europe](#)

Use HAL in the U.S.A. and Canada

If you have a fax machine and a touch-tone voice telephone, you can order a HAL catalog listing all of the information offered by HAL.

NOTE



Before ordering documents from HAL, order a catalog listing the numbers of available documents. You may want to replace your catalog periodically, since the system is often updated.

- 1** Before you call, write down the area code and telephone number for your fax machine. HAL will ask you to key this number through the keypad on your voice telephone. If you are calling from outside the United States or Canada, you'll need to know the international access code to reach your country from the United States. Without a complete fax number, HAL cannot call your fax machine.
- 2** Call **(503) 682-7450** (direct) or, in the U.S. and Canada, call **1-800-835-6100**. Call only from a touch-tone voice telephone.
- 3** At the prompt, choose the option for **technical documentation via fax**.

- 4 Follow through the voice-prompted (English) menu.
- 5 Order individual documents by entering the desired document's number as listed in the HAL catalog. Enter the number by using your telephone's keypad.
- 6 You can order up to three documents per call.
- 7 The HAL catalog or documents you request are faxed to you in a matter of minutes.

Use EuroHAL in Europe

EuroHAL includes many documents, some in English and some in other European languages. If a local version of the document you want is available, EuroHAL will send it in your language. Otherwise, it will send English documents.

If you have a tone-dial telephone and a fax machine, you can use EuroHAL. If your telephone has star (*) and hash mark (#) keys then it can probably use tones; ask your local telephone supplier if you are not sure. If your telephone does not have these keys or has a dial, you will need to buy a *tone dialer* from your local telephone or electronics shop. This small box is held to the phone and will send the standard tones that you need to talk to EuroHAL.

1 To use EuroHAL, dial one of the numbers listed in the following table.

Country	Numbers
Austria	
Belgium	
Denmark	00 44 1908 681 839
Finland	
Italy	
Norway	
Switzerland	
France	05 90 81 86
Germany	0130 819 220
Holland	09 44 1908 681 839
Spain	07 44 1908 681 839
Sweden	0 09 44 1908 681 839
UK	01908 681 839
Other countries	+44 1908 681 839 (where + is your country's International Access Code)

2 EuroHAL answers and asks which language you want to use.

For English Press **1**

For French Press **2**

For German Press **3**

3 The first time you use EuroHAL, you should order a catalog. The catalog lists all of the available documents and is continuously updated.

4 EuroHAL asks you for your fax machine number. If you are calling from outside the UK, add your country code first, as shown in the following table.

Country	Country code	Your area code and fax number	Press # when finished
Austria	00 43	area code fax number	#
Belgium	00 32	area code fax number	#
Denmark	00 45	area code fax number	#
Finland	00 358	area code fax number	#
France	00 33	area code fax number	#
Germany	00 49	area code fax number	#
Holland	00 31	area code fax number	#
Italy	00 39	area code fax number	#
Norway	00 47	area code fax number	#
Spain	00 34	area code fax number	#
Sweden	00 46	area code fax number	#
Switzerland	00 41	area code fax number	#
UK		just enter your fax number	#
Other countries	00 xx	area code number	#

Front panel messages

The front panel displays messages indicating the condition of the printer. Some messages, such as **standby** and **Warming Up**, simply provide status information. These messages do not require user action. Error messages, such as **Close Exit Cover**, require you to perform some action. Use the following table to determine the appropriate action for each type of front panel message.

The printer may display a numeric error code when it detects certain types of problems. If you see a numeric error code, first write down the number. Try turning off the printer's power and wait at least 15 seconds before turning the power on again. If that does not solve the problem, call your local Tektronix office for assistance or call Tektronix Service at **1-800-835-6100** (U.S.) or at **1-800-563-1289** (Canada).

Front panel messages

Message	Action
Ready	No user action required. The printer is ready to print.
Cleaning...	No user action required. The printer is running an automatic cleaning operation (approximately 5 minutes).
Feeding...	No user action required.
Loading.../Unloading...	No user action required.
Cutting...	No user action required. The printer is automatically cutting the roll media.
Melting Ink...	No user action required. Displayed during print jobs that require large amounts of ink.
Load Media	The printer is ready for the media to be loaded.
End of Roll	Replace the media roll.
Cancelling Job...	No user action required. May be displayed after you press the Cancel button.

Front panel messages (cont'd.)

Message	Action
Close Top Cover	Close the top cover; you may need to fully open and then close the cover and its latch.
Close Exit Cover	Close the exit cover.
Close Ink Loader	Close the cover on the ink loader.
Lock Top Cover	Make sure that the latch on the top cover is locked.
Empty Waste Bin	Remove, empty, and reinsert the waste bin.
Service Required Fault Code:xx	Turn the printer off, wait at least 15 seconds and turn the printer's power on again. If the failure persists, note the code number in the display. In the U.S., call Tektronix service at 1-800-835-6100 . Outside the U.S., contact your local Tektronix office.
Ink Loader Low	This message appears when the ink loader has two or fewer ink sticks of a particular color. Open the cover of the ink loader and load ink sticks of that color.
<color> Ink Low	This message appears when ink loader is empty of a particular color. The printhead stops printing if ink is not loaded soon. Open the cover of the ink loader and load ink sticks of that color.

Front panel messages (cont'd.)

Message	Action
Initializing...	No user action required. Wait for a period of time (up to approximately 10 minutes).
Clear Fuser Jam Clear Exit Jam Clear Entrance Jam Clear Internal Jam	<ol style="list-style-type: none"> 1. Cut the media, if roll media is loaded. 2. Open the top cover and use a pen to move the printhead to the right side. 3. Open the exit cover and move the fuser to one side. 4. Remove the jammed media. <p>Refer to Clearing a media jam for detailed instructions.</p>
Clear Ink Loader Jam	Open the ink loader cover and remove the jammed ink stick(s).
Receiving...	No user action required.
Processing...	No user action required.
Wake Up	Press any front panel button or send a print job to bring the printer to Ready (after warming up).
Warming Up...(XX min)	No user action required. The printer will be ready in the specified amount of time (more if cleaning cycle is required).

Symptoms and solutions

Diagnostic tools

The Phaser 600 printer provides several tools for diagnosing and solving various types of problems; these tools include the following:

- [Troubleshooting quick reference](#) table describes printing problems by symptom, then lists the possible causes and solutions.
- **Phaser 600 Color Printer Quick Reference Guide** provides easy access to troubleshooting information on media jams, ink jams, and cleaning procedures.
- **Configuration Page** is found in the Help Pages menu (accessed from the front panel). This page provides useful information for installation and troubleshooting. Refer to [Printing the configuration page](#) for instructions.
- **PS Error Handler** is loaded from the Printer Defaults menu of the front panel. Used to diagnose PostScript problems. When a PostScript error occurs, an error page prints out if the error handler is enabled.

Maintaining print quality

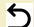
If you notice a problem with the quality of your prints (such as ink smears, streaks, or off-set ink dots), the probable solution is cleaning one of the printer's components (drum, exit rollers, paper clamp rollers, paper clamp, back tension blade, fuser, etc.).

- Clean the printer regularly.
- Handle the media only by the edges to avoid fingerprints.
- Keep the ink sticks packaged until you are ready to use them.
- To help you diagnose the problem, print the test print from the Utilities menu in the front panel. Always do this before calling the Customer Support Hotline because it contains useful diagnostic information.

Troubleshooting quick reference

Symptom	Possible Causes	Solution
Power indicator is blinking	The printer is receiving, processing or printing a job.	Wait for the job to be completed or cancel the job.
	You have entered the menu in the front panel.	Exit the menu.
Power indicator is off	The printer is not ready, is disabled, or has detected an error.	Read the front panel message to determine the printer's status.
	The power switch on the printer is off, or the power cord is not connected.	Check that the power cord is plugged into the printer and into an active circuit; check that the power switch is set to <i>on</i> .
Error indicator is blinking	The printer is stopped because it detected a user-correctable error such as an open door or a media jam.	Correct the condition reported by the front panel (e.g., close the door or clear the media jam).
	Error occurred that is not user-correctable.	Turn the printer off and back on again. If the indicator is still on after the power-up sequence, the printer requires service. See If you need help .

Troubleshooting quick reference (cont'd.)

Symptom	Possible Causes	Solution
The front panel menu exits and returns to Ready without anyone pressing the  button.	Front panel timeout: if no activity occurs in 5 minutes, the front panel returns to Ready .	Press Menu to enter the front panel menu.
Front panel reports: Clear <Location> Jam	Media jam.	Remove the jammed media. See Clearing a media jam .
	Media is too thick or too thin.	Use recommended media. Refer to All about media for more information.
	Using Letter-size cut-sheet media (ANSI A, ISO A4, and Arch A) or smaller.	Use media at least B-size for better feed reliability.
	Roll media is not cut evenly or smoothly.	Make sure that the cutter is sharp; use a new blade in the cutting tool for manual cutting.
Front panel reports: Clear Ink Loader Jam	An ink stick has jammed in the ink loader.	Remove the jammed ink stick. See Clearing an ink jam .

If you can't make a print

Symptom

Solution

Printer not operating

Make sure that you plugged in the printer and turned it on.

Make sure that you connected the interface cable(s) properly.

Make a test print from the front panel to verify that the controller board is functional.

Verify that your computer can communicate with the printer.

Printer not operating (cont'd.)

Verify that your printer can communicate:

If you have a Macintosh

Make sure that you have the correct PPD file installed and selected and that you have selected the printer in the **Chooser**. If the printer's name does not appear in the **Chooser**, your LocalTalk or EtherTalk connection may be faulty. (See also [Printer doesn't appear in the Chooser \(Macintosh\)](#) below.)

You can use the **Print Window** command to send a file to the printer without using an application. If the communication link between your computer and the printer is working, the printer produces a directory listing of the active window on the desktop.

If you can't make a print (cont'd.)

Symptom

Solution

Printer not operating (cont'd.)

Verify that your printer can communicate:

If you have a PC

Type this DOS command:

```
echo %! > port
```

```
echo showpage [Ctrl-D] > port
```

Where [CTRL-D] indicates pressing the **D** key while holding down the **CTRL** key. Substitute the name of the printer port (for example **COM1:**, **COM2:**, **LPT1:**, **LPT2:**) for the variable *port* in this command. For example, if you are testing a parallel connection on **LPT1**, type:

```
echo %! > lpt1:
```

```
echo showpage [Ctrl-D] > lpt1:
```

If the communication link between your computer and the printer is working, the printer ejects a blank page (if media was previously loaded). If this occurs, but you cannot print from your application or through Windows, make sure that the appropriate driver is installed and that you have selected the printer correctly.

Power indicator blinks and stops, but the file does not print

This is probably the result of a PostScript error. Enable the PostScript error handler in the printer's front panel. See [Using a PostScript error handler](#) for more information.

If you can't make a print (cont'd.)

Symptom

Solution

Printer not printing, even though you've configured a supported driver for your printer.

General things to try

- Print a different file.
 - Print from a different application.
 - Use a different driver.
 - Print from a different computer.
 - Use different cabling.
-

If you can't make a print (cont'd.)

Symptom

Solution

Printer not printing, even though you've configured a supported driver for your printer (cont'd.)

Macintosh users

- Open the **Chooser** and select a supported driver, such as the LaserWriter 8.x, and your printer. If the driver isn't installed or properly set up with your printer, refer to [Macintosh software](#) for instructions. Make sure that **Background Printing** is turned **off**.
- If you are having trouble printing from the **Finder** in System 7.1, for example, if the Phaser 600 printer driver dialog boxes are not opening, it may be because the **Finder** doesn't have enough allocated memory. Reinstall a supported driver to automatically allocate enough memory for printing from the **Finder**.
- For PowerMacs, you should be using the latest version of **Open Transport** and the system software, available from Apple Computer.
- If you are using LaserWriter 8, throw away the *LaserWriter 8 Pref* file, located in the *Preferences* folder, inside the *System Folder*. A new preferences file will be generated.
- Use the most current version of the Macintosh operating system.
- Use the most current version of your application.
- If you prefer using background printing, but it seems to be causing problems, allocate more memory to the Print Monitor.

If you can't make a print (cont'd.)

Symptom

Solution

Printer not printing, even though you've configured a supported driver for your printer (cont'd.)

Windows users (general)

- Check to make sure that you have configured the communications ports and the Handshake option correctly. Refer to [Printing the configuration page](#) for helpful information.
 - Make sure that you are using the correct cables for your computer and printer. See [Ordering Interface cables and adapters](#) for information.
 - Turn off spooling/Print Manager.
-

Windows 3.1 users (using the Tektronix driver)

- Make sure that your printer is connected to the port you selected in the driver's **Printers/Connect** dialog box.
 - Try resetting the **Transmission Retry** timeout option in the driver's **Printers/Connect** dialog box to **950** seconds.
 - Check the **Options** dialog box to make sure that **Printer**, not **Encapsulated PostScript File**, is selected in the driver's **Print To** box.
 - If the error message **Windows Header has not been downloaded to the printer** appears on your computer screen, open the driver's **Options** dialog box and turn on the **Send Header with Each Job** check box.
-

If you can't make a print (cont'd.)

Symptom

Solution

Printer not printing, even though you've configured a supported driver for your printer (cont'd.)

Windows 95 users

- Make sure that your printer is connected to the port you selected in the driver's **Details** tab.
 - Try resetting the **Transmission Retry** timeout option in the driver's **Details** tab to **950** seconds.
 - Make sure that the correct port is selected in the driver's **Details** tab.
 - If the error message **Windows Header has not been downloaded to the printer** appears on your computer screen, click the **PostScript** tab and click one of the options for **PostScript Header**.
-

If you are using PC/NFS

If you have PC/NFS software installed on your computer, you need to make the following selection in the **Network Options** dialog box:

1. From the **Main** window, double-click the **Print Manager** icon.
 2. From the **Options** menu in the **Print Manager**, select **Network Settings**.
 3. In the **Network Options** dialog box, uncheck the **Print Net Jobs Direct** box.
 4. Click **OK**.
-

If you can't make a print (cont'd.)

Symptom

Solution

Printer not printing, even though you've configured a supported driver for your printer (cont'd.).

Using the PS Error Handler

Follow these steps to use the PostScript Error Handler, after trying the previous suggestions:

1. Set the PS Error Handler to *on* in the front panel's Printer Defaults menu.
 2. Use the error handler utility to determine what is wrong. Refer to [Using a PostScript error handler](#) for information on using the error handler.
-

If you can't print from Windows to an LPT port

Windows 3.1

1. Double-click the **Printers** icon in the **Control Panel**.
2. In the **Printers** dialog box, choose your printer from the list of installed printers.
3. Click the **Connect** button; the **Connect** dialog box appears.
4. Change your port connection from **LPTx** to **LPTx.DOS** (where x is 1, 2, or 3).
5. Click **OK**.

Refer to [Fixing timeout problems in Windows](#) for instructions on fixing timeout problems in Windows.

If you can't make a print (cont'd.)

Symptom

Solution

If you can't print from Windows to an LPT port (cont'd.)

Windows 95

1. Select **Start** in the taskbar on your screen.
 2. In the menu that appears, select **Settings**.
 3. In the next menu, select **Printers**; the **Printers** window appears.
 4. Click on your printer's icon and select **Properties** from the **File** menu.
 5. Click the **Details** tab.
 6. Click **Add Port**.
 7. Click **Other**.
 8. Make sure that **Local Port** is highlighted, then click **OK**.
 9. Type **LPTx.DOS** (where **x** is 1, 2, or 3).
 10. Click **OK**.
 11. In the **Details** tab, the *Print to the following port* should be **LPT.DOS** (unknown local port).
-

If you can't make a print (cont'd.)

Symptom

Solution

If you can't print from Windows to an LPT port (cont'd.)

Check the printer's language mode

1. Print a copy of the printer's configuration page to see the language mode on each port. Refer to [Printing the configuration page](#).
 2. If the printer port you are using has the wrong language set for the type of application you are using, send one of the following utility files to the printer:
 - To print PostScript files, use the *PSCRIPT.PS* file to set up a port to receive PostScript; see [Printing PostScript files](#) or World Wide Web for details.
 - To print HP-GL files, use the *HPGL.PS* file to set up a port to receive HP-GL; see [Printing HP-GL files](#) or World Wide Web for details.
 - To print PostScript or HP-GL files, use the *AIS.PS* file to set up a port for automatic language selection; see [Enabling automatic language selection](#) or World Wide Web.
-

If you can't make a print (cont'd.)

Symptom

Solution

Printer doesn't appear in the **Chooser** (Macintosh)

Try another network connection.

Try printing from another computer.

Make sure that the printer is turned on and the cables are correctly attached.

Check the termination (refer to the documentation for your network adapter or connector for information on termination).

If you have changed the printer's name, make sure that you have given it a unique name (not the same as any other printer in the zone or on the network).

Make sure that the correct network zone is selected in either the **Network Control Panel** or the **AppleTalk Control Panel** in System 7.5.3 or later.

For network-connected printers:

Problems may occur when double-spooling occurs or banner pages are specified. Refer to Tektronix' on-line documentation or contact your network administrator for more help on troubleshooting your specific type of network.

If you can't make a print (cont'd.)

Symptom

Solution

Print job does not finish (the printer times out)

If you are using the serial or parallel port from a PC, make sure that you used the **MODE** command to set the PC's communication parameters. For example:

```
MODE LPT1:.,P > NUL
```

```
MODE COM1:9600,N,8,1,P
```

The **P** parameter in these commands sets the port timeout to **Infinite Retry** and must be part of the command.

If you are using Windows 3.1 or Windows 95, make sure that the **Transmission Retry** value for the printer's assigned port is set to **950**. For more information, see [Printing from a PC](#) then select your driver.

Error indicator is blinking

The **Error** indicator blinks with any hard error, such as media jam or door open.

Look at the front panel for an indication of the type of error, then correct the problem. If the front panel message is *Service Required/Fault Code:xx*, make note of the fault code number, then turn the printer off and on again. If the **Error** indicator remains on after power-up, your printer requires service. See [If you need help](#) for telephone information.

Media problems

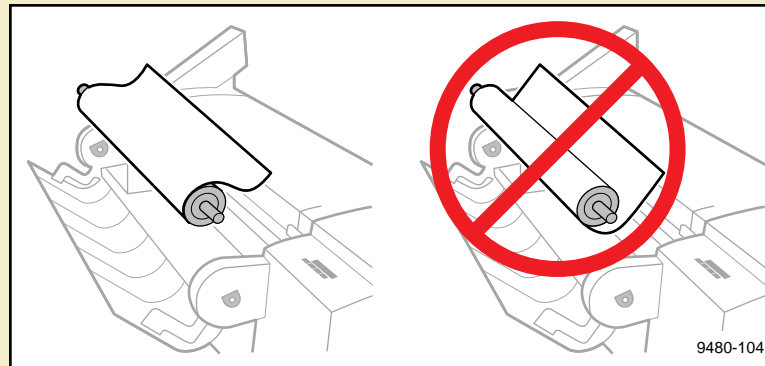
Symptom

Frequent media jams

Solution

Make sure that the fixed end of the paper roll holder (the side *without* the removable plastic nut) is installed at the side closest to the front panel.

Make sure that the media is installed so that it loads over the top of the roll, as shown.



Make sure that the leading edge of a media roll is cut evenly (corners are 90°) and smoothly before feeding it into the printer; refer to the illustration. For instructions on getting the best cut on the media roll, refer to [Cutting roll media](#).

Media problems (cont'd.)

Symptom

Solution

Frequent media jams (cont'd.)

When you feed the media into the printer, do the following:

- Align the media with the guide on the printer, so that it feeds evenly and straight.
- As you feed the media into the printer, insert it until it stops against the feed rollers, making sure it touches all rollers at once.

Clean the printer's rollers and drum. See [Feed rollers and paper guides](#) for instructions.

To optimize the printer's wide-format design, use cut-sheet media at least B-size and/or roll media at least 16.5 inches wide for better feed reliability.

Open the top cover and exit cover to check the paper path for any obstruction.

Media problems (cont'd.)

Symptom

Solution

Media skews

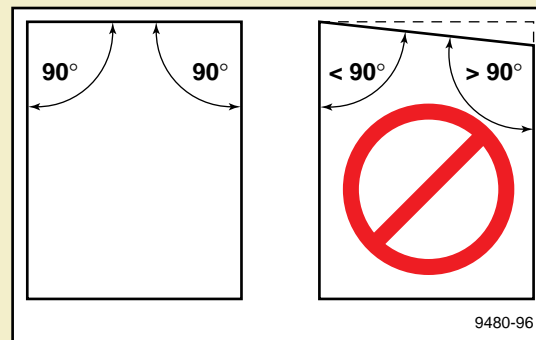
Make sure that the fixed end of the paper roll holder (the side *without* the removable plastic nut) is installed at the side closest to the front panel.

Make sure that the media is installed so that it loads over the top of the roll. Refer to the drawing on the previous page.

Make sure that the media is fed into the printer evenly.

To optimize the printer's wide-format design, use cut-sheet media at least B-size and/or roll media at least 16.5 inches wide for better feed reliability.

Make sure that the leading edge of the media roll is cut evenly (corners are 90°) and smoothly. Refer to the illustration below. If your media is not cut evenly, follow the instructions on [Cutting roll media](#).



Media does not advance

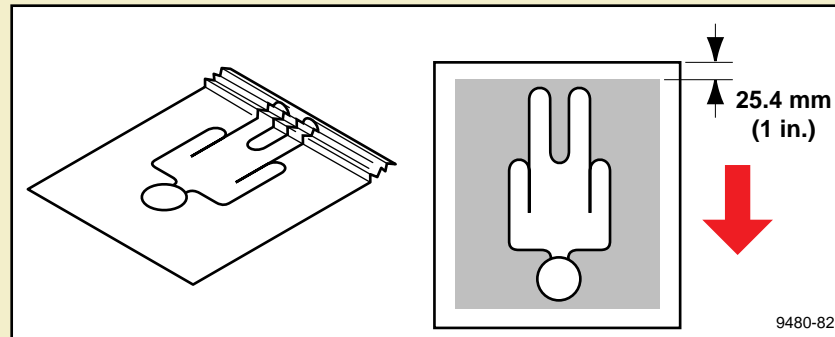
Clean the [Drum](#), [Feed rollers and paper guides](#), and [Clamp rollers](#).

Media problems (cont'd.)**Symptom****Solution**

Media wrinkling

Check media thickness; media that is too thin will wrinkle.

Reduce the image so that ink placement and fusing complete at least 25 mm (1 inch) from the trailing edge of the media.



Problems with image size and position

Symptom	Solution
Cut-off images	<p>Check your application for image sizing.</p> <hr/> <p>Make sure that you are using a printer PPD file and have selected the correct page size. If you select the incorrect page size, the image may be cut off.</p> <hr/> <p>Make sure that the media selected in the driver is the same as or smaller than the media installed.</p> <hr/> <p>If you selected Page Centering in the driver, make sure that media is loaded <i>before</i> you send the print job; otherwise, the default media setting calculates the centering position.</p>
Image shifts or margins are incorrect (Macintosh)	<p>Make sure that you have installed the printer driver or the correct PPD file onto your Macintosh so that you can select the correct page sizes from the driver. For details on how to print from a Macintosh, refer to Printing from a Macintosh.</p>

Print quality problems

Symptom	Solution
Off-set ink dots	<p>Clean or replace the fuser wheel.</p> <p>To save your print, as well as the cost and time of having to resend the job:</p> <ul style="list-style-type: none"> ■ If the ink dots appear in the white space on your print, use an eraser to carefully remove the ink.
Prints have dull, faded colors	<p>Check the selected color correction mode.</p> <p>Clean the printhead from the front panel Utilities menu. Refer to Cleaning the printhead.</p> <p>Make sure that Media Fusing is turned on and try setting it to Cold.</p>
Streaks or spots	<p>Clean the Clamp rollers.</p> <p>Clean the Back tension blade and paper clamp.</p> <p>Clean the paper clamp (Clamp rollers).</p> <p>Clean the exit rollers (Fuser shuttle and exit rollers).</p> <p>Clean the fuser wheel or replace the Fuser Kit components (Removing the fuser components).</p> <p>Clean the Feed rollers and paper guides.</p>

Print quality problems (cont'd.)

Symptom

Solution

Black-and-white prints instead of color

If you have a Macintosh

Make sure that you are using the correct PPD file with the latest Apple LaserWriter printer driver (version 6.0.7 or higher), which supports color PostScript.

Make sure that **Color/Grayscale** is selected in the **Print** dialog box. Some applications require special files to print in color. Make sure that these files are properly installed. For information, refer to [Printing from a Macintosh](#) or through the Tektronix World Wide Web page.

Make sure that you have not selected **Monochrome** in the **TekColor Options** dialog box.

If you have a PC

Be sure to use a driver that supports color PostScript. If you are using Windows 3.1, use the Phaser 600 printer driver.

If you are using Windows, make sure that the **Color** box in the **Options** dialog box is checked. For information on the drivers, refer to [Printing from a PC](#) or through the Tektronix World Wide Web page.

Make sure that you have not selected **Monochrome** in the **Tektronix Printer Features** dialog box.

If you are not using a driver, make sure that you have not downloaded the monochrome mode selection code; make sure that the front panel is not set for **Monochrome**.

Printing hints

Application hints

For information about using specific software applications with your printer, contact Tektronix' HAL or EuroHAL information systems. In the U.S., call **1-800-835-6100** or **(503) 682-7450**; for EuroHAL telephone numbers, refer to [If you need help](#). For a complete listing of available topics, request a catalog.

Tektronix supplies and software

Always use Tektronix supplies to ensure the highest quality prints and printer performance. Tektronix Printer Description Files (PPDs) and utility files work with the drivers to provide the best access to printer features. See [Ordering Information](#).

Getting the largest printed picture

To get the largest printed picture, keep in mind the following:

- The area of media that the printer prints on is smaller than the size of the media (refer to [Margins and print area](#) for more details). You may have to adjust the margins in your application software.
- The largest predefined page size is Arch. E (36 x 48 in.), but the printer can print up to 36 in. x 150 ft. (914 mm x 45.7 m).

Improving print speed

There are different ways to improve print speed, such as by upgrading to EtherTalk on a Macintosh, to Novell on a PC, or to TCP/IP on a workstation. For more information, request a document catalog from HAL or EuroHAL, the Tektronix automated fax systems. Refer to [If you need help](#) for instructions on using these systems.

Click on the following topics for more information:

- [Relative port speed](#)
- [Fastest print time](#)
- [Printing bitmapped images](#)

Relative port speed

Ethernet and Token Ring are the fastest ports, followed by the parallel port, the LocalTalk port, then the serial port.

Fastest print time

The total print time depends on the following:

- Image complexity
- Image size
- Type of port used and network traffic
- Printer's memory configuration
- Print quality mode
- **Fusing** mode
- If **Image Smoothing** is activated
- Number of non-resident fonts used

Of these elements, only the time contributed by the printer's paper-marking speed (the time it takes the printer to put the ink on the paper once it has received the processed image) is predictable; the others can vary greatly depending on your system configuration and the type of image you are printing. However, the printer's PostScript interpreter combines very fast image processing and communication with sophisticated memory management to keep the total print time to a minimum.

The printer's optimum image processing throughput via a dedicated Ethernet connection is about 200 Kbytes per second. Actual throughput will generally be somewhat slower than this, depending on network traffic, image complexity, color correction, and memory configuration. For details on the printer's paper-marking speed, see [Specifications](#).

Printing bitmapped images

If you tried to print a document with bitmapped images, but are dissatisfied with the speed of the output, here are some suggestions.

Click on the following topics for more information:

- [All users](#)
- [Macintosh users](#)
- [Windows 3.1 users \(using the Tektronix driver\)](#)
- [Windows 95 users](#)
- [UNIX workstation users](#)

All users

- When you use any color correction option (other than **None**), your printer can take longer to process bitmapped images. Select color corrections from the supported drivers, with downloadable utility files, or from the printer's front panel; see [Color corrections](#) for instructions.
- The **Standard** print quality option prints faster than **Enhanced**. Select print quality modes from the supported drivers, with downloadable utility files, or from the printer's front panel. See [Print quality modes](#) for details on the print quality modes.

Macintosh users

- If you are using Adobe Photoshop, you can print using the Tektronix PhaserPrint plug-in to improve the image data transfer time from your Macintosh to the printer. For instructions on installing and using the plug-in, refer to [Using the PhaserPrint™ Plug-in for Photoshop](#) and World Wide Web topics.

Windows 3.1 users (using the Tektronix driver)

- 1 From the **Control Panel**, double-click **Printers**.
- 2 Select the **Tektronix Phaser 600** printer in the **Printers** dialog box.
- 3 Disable **Use Print Manager** in the **Printers** dialog box. Printing via the **Print Manager** is slower, but turning it off ties up the PC longer.
- 4 From the **Printers** dialog box, click **Setup**.
- 5 From the **Setup** dialog box, click **Options**.
- 6 From the **Options** dialog box, click **Advanced**.
- 7 Make sure that the **Use PostScript Level 2 Features** check box in the **Advanced Options** dialog box is turned on.
- 8 From your application, choose the **Tektronix Phaser 600** as your printer.
- 9 Try printing the document again.

Windows 95 users

- 1 Click the **Start** icon in the taskbar on your screen; a menu appears.
- 2 Move the cursor over **Settings**; another menu appears.
- 3 In the menu, click **Printers**; the **Printers** window appears.
- 4 In the **Printers** window, select the **Phaser 600** printer icon, then select **Properties** from the **File** menu.
- 5 Click the **PostScript** tab, then click the **Advanced** button.
- 6 Select **Use PostScript Level 2 features**.
- 7 Click **OK** when finished.
- 8 Try printing the document again.

UNIX workstation users

Workstation users can use the PhaserPrint software for UNIX to increase printer performance when printing bitmapped images. Refer to [Printing from UNIX workstations](#) for details.

PostScript printing errors

NOTE



For information on specific applications, request a document catalog from HAL or EuroHAL, the Tektronix automated fax systems. Refer to [If you need help](#) for instructions on using these systems.

If your printer reports a PostScript error when printing from Adobe PageMaker, Adobe FreeHand, QuarkXPress, or Canvas, you may be using an older or incorrect version of the printer description file. Refer to [Software installation](#) for instructions on installing printer description files.

- 1 You should always use the most current printer description file. To determine the **date** of the file you are using, do the following:
 - **Macintosh users:**
Select (highlight) a printer description file and choose **Get Info** from the **File** menu. Make a note of the version date.
 - **Windows 3.1 users:**
Check a printer description file's creation date in the **File Manager**. Make a note of the version date.
 - **Windows 95 users:**
Check a printer description file's creation date in the **Windows Explorer**. Make a note of the version date.
- 2 Check Tektronix' World Wide Web site or the Tektronix Bulletin Board Service (BBS) to see if the printer description files you have are the most recent. Refer to [If you need help](#) for instructions.

Using a PostScript error handler

The error handling utility, enabled in the Printer Defaults menu of the printer's front panel, is useful for diagnosing problems when a job doesn't print. It provides a PostScript error-handling function to help determine the cause of some PostScript printing problems. PostScript errors are printed on a page with other status information when an error occurs. This utility can be useful to programmers and technical support for debugging PostScript code.

To turn the error handler on, click on one of these topics:

- [Using the error handler from the front panel](#)
- [Using the Macintosh error handler utility file](#)
- [Using the PC and workstation error handler utility file](#)

Using the error handler from the front panel

- 1 In the printer's front panel, press the **Menu** button.
- 2 Press the right or left arrow button until the front panel displays this message:

```
Printer Defaults  
<---      --->      Menu
```

- 3 Press **Menu**.
- 4 Press the left arrow button; this message appears:

```
PS Error Handler  
<---      --->      Menu
```

- 5 Press **Menu**. This message appears:

```
PS Error Handler: Off *  
<---      --->      Select
```

The * indicates the current selection; *off* is the factory default.

- 6 Press an arrow button. The front panel displays this message;

```
PS Error Handler: On  
<---      --->      Select
```

- 7 Press **Select**.
- 8 Press the **↵** button until the front panel reads **Ready**.

After turning on the error handler, resend the print job; the printer produces an error page

Using the Macintosh error handler utility file

NOTE



If you are using QuickDraw GX and System Software 7.5, you can download printer utilities from the Tektronix Phaser 600 GX printer driver; refer to [Downloading printer utilities](#) or World Wide Web topics for instructions.

- 1 Follow the instructions in [Macintosh software](#) to install the utility files from the Phaser 600 CD-ROM.
- 2 Select the appropriate printer in the **Chooser**.
- 3 Locate the *LaserWriter Utility* or the *Apple Printer Utility* in the *PhaserTools* folder on your hard disk, and double-click its icon to start the application.
- 4 Choose **Download PostScript File** from the **Utilities** menu.
- 5 Select the *Tek Error Handler* file from the list, then click **Open**. (This file was installed in the *Phaser 600 Utilities* folder, inside the *PhaserTools* folder.)

- 6 At the prompt `Save PostScript output as:` you are asked for a file name for saving printer output. Use either the default name given in the edit box or type a new name. Click **Save** to send the file to the printer.
- 7 If no output is returned by the printer, the *LaserWriter Utility* displays a dialog box; click **OK** to continue.
- 8 Resend the file to get information from the PostScript error handler.

Using the PC and workstation error handler utility file

- 1 Follow the instructions in [PC/Windows software](#) to install the utility files from either the Phaser 600 CD-ROM or the Printer Software for Windows diskette.
- 2 Locate the installed files in the *PHSR600* subdirectory, inside the *PHSRTOOL* directory on your hard disk.
- 3 Send the *TEKEHAND.PS* file to the printer using one of the following methods:
 - **PC users:** Use the DOS **COPY** command, or the **Copy** command in Windows 3.1 **File Manager**, to send the file to the printer. See [Downloading files from a PC](#) or World Wide Web topics for instructions.
 - **Workstation users:** Send the file to the printer as you would any PostScript file.

Fixing timeout problems in Windows

Try one of the following procedures to correct Windows timeout problems. If a Windows procedure doesn't work for you, try the DOS procedure.

Click on the following topics for more information:

- [From Windows 3.1](#)
- [From Windows 95](#)
- [From DOS \(and Windows 3.1\)](#)

From Windows 3.1

- 1 Open the **Control Panel** from the **Main** menu.
- 2 Double-click the **Printers** icon to open the **Printers** dialog box.
- 3 Click the **Connect** button to open the **Connect** dialog box.
- 4 Increase the **Transmission Retry** to **950** seconds by typing in the new number.
- 5 Click **OK**.

From Windows 95

- 1 Click the **Start** icon in the taskbar on your screen; a menu appears.
- 2 Move the cursor over **Settings**; another menu appears.
- 3 In the menu, click **Printers**; the **Printers** window appears.
- 4 In the **Printers** window, select the **Phaser 600** printer icon, then select **Properties** from the **File** menu.
- 5 Click the **Details** tab and increase the **Transmission Retry** to **950** seconds by typing in the new number.
- 6 Click **OK**.

From DOS (and Windows 3.1)

NOTE



To use this procedure, the printer must be connected directly to your computer, not on a network.

- 1 At the DOS prompt, issue the DOS **MODE** command by typing the following:

```
MODE LPT1:,,P
```

- 2 Start Windows 3.1.
- 3 Open the **Control Panel** from the **Main** menu.
- 4 Double-click the **Printers** icon to open the **Printers** dialog box.
- 5 Click the **Connect** button to open the **Connect** dialog box.
- 6 Change the port selection from **LPT1** to either **LPT1.DOS** or **LPT1.OS2**, depending on the options you see in the dialog box.
- 7 Click **OK**.

Printed colors are not what you expected

In general

- Select another **Color Correction** option in a supported driver and print your image again; refer to [Color corrections](#) for more information on color correction.
- If you are not using a supported driver and are sharing the printer with other users on a network, another user may have changed the printer's color adjustment setting. Refer to [Sharing the printer on a network](#) for more information on sharing a network printer.

- If you use the driver's **Use Printer Setting** option and printed colors are not what you expected, check the following:
 - A selection may have been made in the **TekColor Correction** menu on the printer's front panel. These settings change the printer's color correction setting.
 - A color correction utility file may have been downloaded to the printer. These files change the printer's color correction setting.

Refer to [Sharing the printer on a network](#) for details on how these settings affect prints made from a driver.

- PhaserMatch provides the ability to customize the TekColor corrections. Refer to [PhaserMatch](#) for more information on the PhaserMatch custom color profiles.

Printing PANTONE Colors

If Phaser 600 printer-specific PANTONE Colors are not printing as expected, Make sure that you are printing without any color corrections selected. Refer to [Using PANTONE® Color Files](#) for more information.

If you have questions about PANTONE Color Matching, refer to the HAL article on PANTONE Colors. Refer to [Using the automated fax systems](#) for information on using the HAL and EuroHAL fax systems.

There are many variables in process reproduction of colors generated by the Phaser 600 printer, any one of which may affect the quality of the PANTONE Color simulation, including:

- Type of ink used
- Type of media used
- Effective final resolution
- Dot structure/halftones
- Fusing mode

Blue colors look too purple

If printed blue colors look too purple, print your document with the **Vivid Color** color correction. Refer to [Color corrections](#) and [Deciding which color correction to use](#) for instructions and more information.

Using the Tektronix halftone screens

Tektronix halftone screens are designed for Tektronix printers, and improve print quality over application-set halftone screens. The *Setscreen Off (SCRENOFF.PS)* utility file redefines some PostScript operators, such as the *setscreen*, *setcolorscreen* and *sethalftone*. When downloaded to the printer, this file prevents applications from overriding the Tektronix proprietary halftone screens.

Click on the following topics for more information:

- [Using the Macintosh Setscreen utility file](#)
- [Using the PC/workstation Setscreen utility file](#)

Using the Macintosh Setscreen utility file

NOTE



If you are using QuickDraw GX and System Software 7.5, you can download printer utilities from the Tektronix Phaser 600 GX printer driver; refer to [Downloading printer utilities](#) or the World Wide Web for instructions.

- 1 Follow the instructions in [Macintosh software](#) to install the utility files from either the Phaser 600 CD-ROM or the Printer Software for Macintosh diskette.
- 2 Select the appropriate printer in the **Chooser**.
- 3 Locate the *LaserWriter Utility* in the *PhaserTools* folder on your hard disk, and double-click its icon to start the application.
- 4 Choose **Download PostScript File** from the **Utilities** menu.

- 5 Select one of the following files from the list, then click **Open**. (These files were installed in the *Phaser 600 Utilities* folder, inside the *PhaserTools* folder.)
 - Select *Setscreen On* to enable setscreen operations.
 - Select *Setscreen Off* to disable setscreen operations.
- 6 At the prompt `Save PostScript output as:` you are asked for a file name for saving printer output. Use either the default name given in the edit box or type a new name.
- 7 Click **Save** to send the file to the printer.
- 8 If no output is returned by the printer, the *LaserWriter Utility* displays a dialog box; click **OK** to continue.

Using the PC/workstation Setscreen utility file

- 1 Follow the instructions in [PC/Windows software](#) to install the utility files from either the Phaser 600 CD-ROM or the Printer Software for Windows diskette.
- 2 Locate the installed files in the *PHSR600* subdirectory, inside the *PHSRTOOL* directory on your hard disk.
- 3 Use one of the following files:
 - Select *SCREENON.PS* to enable setscreen operations.
 - Select *SCRENOFF.PS* to disable setscreen operations.
- 4 Use one of the following methods to send a file to the printer:
 - **PC users:** Use the DOS **COPY** command, or the **Copy** command in Windows 3.1 **File Manager**, to send the file to the printer.
 - **Workstation users:** Send the file to the printer as you would any PostScript file.

Selecting page sizes in Windows applications

In some Windows applications, you can select printer page sizes in a **Print Setup** dialog box accessed from the **File** menu. If you use a **Print Setup** dialog box to select the Phaser 600 printer from your application, some page sizes may not be visible in the list.

If the Phaser 600 printer page size you want to use is not visible in the list, do the following:

- [Windows 3.1](#)
- [Windows 95](#)

Windows 3.1

- 1** From the **Main** window, open the **Control Panel** and double-click the **Printers** icon.
- 2** In the **Printers** dialog box, select **Phaser 600** in the list of printers.
- 3** Click the **Setup** button.
- 4** In the **Setup** dialog box, select the page size you want and click **OK**.
- 5** Return to your application. If you open the **Print Setup** dialog box again from within your application, the page size selection may be blank. The page size you just selected in the driver is still selected, it is just not visible in the list.
- 6** Print as usual.

N O T E



If you open the **Print Setup** dialog box from within an application, and the page size selection is blank, the blank represents the page size last selected from the printer driver through the **Control Panel**. You can leave the page size selection blank and print as usual, or you can select a page size from the list.

Windows 95

- 1 Click the **Start** icon in the taskbar on your screen; a menu appears.
- 2 Move the cursor over **Settings**; another menu appears.
- 3 In the menu, click **Printers**; the **Printers** window appears.
- 4 In the **Printers** window, select the **Phaser 600** printer icon, then select **Properties** from the **File** menu.
- 5 Click the **Paper** tab.
- 6 Choose a page size, and click **OK**.
- 7 Return to your application.

Fonts printing incorrectly from Windows

If fonts are printing incorrectly from Windows, make sure that you installed the correct printer with the supported driver.

- If you have the standard printer configuration, you should have installed **Tektronix Phaser 600**.
- If you have the printer's Extended Features option with the additional fonts, you should have installed **Tektronix Phaser 600 with Extended Features** so that Windows recognizes and uses all the printer's fonts.

N O T E

If you select **Tektronix Phaser 600 with Extended Features** and you have only the standard printer configuration with 17 fonts, any of the additional fonts selected within an application are printed in the Courier typeface.

Getting printer configuration information

If you are not sure which printer configuration you have, press and hold down the **i** button on the printer's front panel for configuration and amount of memory. Printer information appears on the lower line of the display.

- For standard configuration (17 fonts), the display reads:

Config: Standard 8/24/40MB.

- For the Extended Features configuration (39 fonts), the display reads:

Config: Extended 8/24/40MB.

You can also print a copy of the printer's startup page. Refer to [Printing the startup page](#) for instructions.

Refer to [PC/Windows software](#) for complete instructions on installing the printer and drivers.

Sharing the printer on a network

Driver, utility files, and front panel interactions

If your Phaser 600 printer is shared by other users on a network, you can affect prints made by other users when you use the downloadable utility files or the printer's front panel to change the printer's default color correction setting.

- When you print from a supported driver with any TekColor color correction selection *except* **Use Printer Setting**, the driver selection *overrides* the following selections *for prints made from the driver*:
 - A color correction utility file, if one has been downloaded to the printer.
 - The selection on the printer's front panel **TekColor Corrections** menu.

- When you print from a supported driver with the **Use Printer Setting** option, your images are printed with one of the following selections:
 - A color correction utility file, if one has been downloaded to the printer.
 - The selection on the printer's front panel **TekColor Corrections** menu.

- When you print from a non-supported driver, your images can be printed with one of the following selections:
 - A color correction utility file, if one has been downloaded to the printer.
 - The selection on the printer's front panel **TekColor Corrections** menu.

- If the colors on your prints are not what you expected, and your system administrator has disabled some of the printer's front panel menus, ask what settings are in effect and whether a color correction utility file has been downloaded to the printer. You can also print a configuration page to see the current color correction selection; see [Printing the configuration page](#) for instructions.

If the LaserWriter Utility does not work (AppleTalk)

The *LaserWriter Utility* cannot be used if the printer is connected to a print server. See your system administrator to temporarily remove the printer from the print server to download any of the PostScript utility files.

Media hints and tips

- Make sure that the media is dust-free. Dust and dirt can result in poor print quality.
- Handle media with both hands at the edges to avoid creases and fingerprints.
- Store media in the original, dust-free package in the same environmental conditions as the printer.
- Use high-grade media. For best reliability and image-quality, always use Tektronix media. Tektronix printers and Tektronix supplies are Made For Each Other™. Refer to [Ordering Information](#) for ordering information.
- Tektronix media rolls have a three-inch core. If you are using a media roll with a two-inch core, adjust the endcaps on the paper roll holder. Refer to [Using a 2-inch core media roll: removing the core adapter](#) for instructions.
- Feeding media through the printer twice or printing on both sides of the media can reduce the life of the printer's paper path components and may require frequent cleaning.

- If you are using non-Tektronix media rolls, take care that you stop printing **before** the media runs out: if the media is taped securely to the core, the core can unravel, feed into and damage the printhead.
- When loading a media roll onto the paper roll holder, take care that you **do not drop** the roll onto the holder. The weight of the roll can dislodge the fixed endcap on the holder; if this happens, media will not feed correctly.

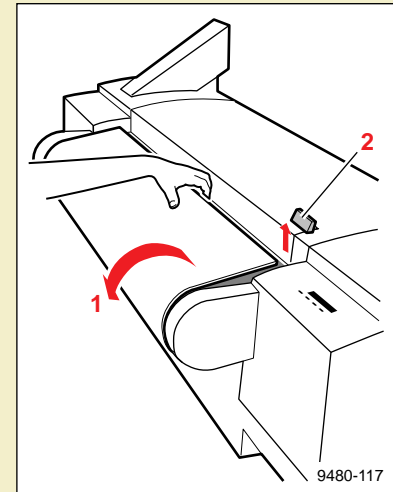
Cutting roll media

If the roll media misfeeds because of a jagged or crooked leading edge, follow these rules:

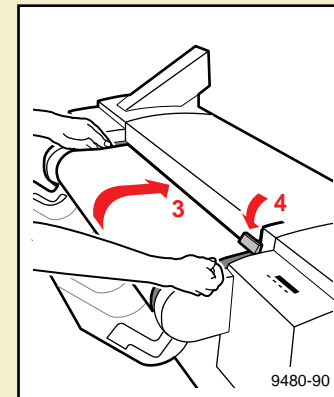
- Replace the cutter if the media's leading edge is jagged (see [Removing the fuser components](#) for instructions).
- Make sure that the knife you use for manual cutting has a new, sharp blade.
- If you are using very thick media, such as canvas or fabric, cut it manually with the cutting tool provided with the printer, rather than use the automatic cutter.

- Make sure that the leading edge of the roll media is straight (the angles on the corners of the leading edge should be 90°). If it is not, follow these steps:

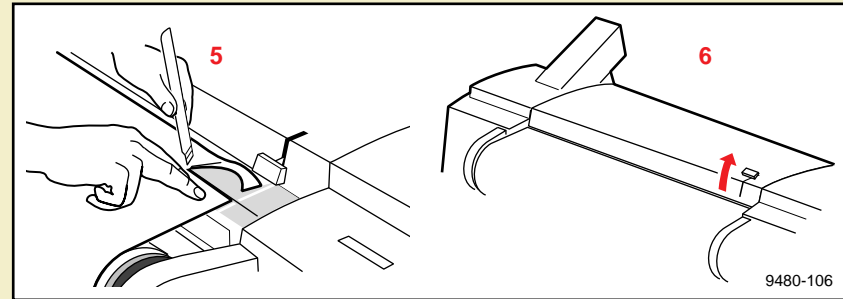
- 1** Open the paper roll cover.
- 2** Lift the latch on the top cover (make sure that you leave the cover closed).



- 3** Insert the roll media under the top cover. Align the media with the guide on the printer to make sure that it is inserted evenly.
- 4** Lower the top cover latch to secure the media.

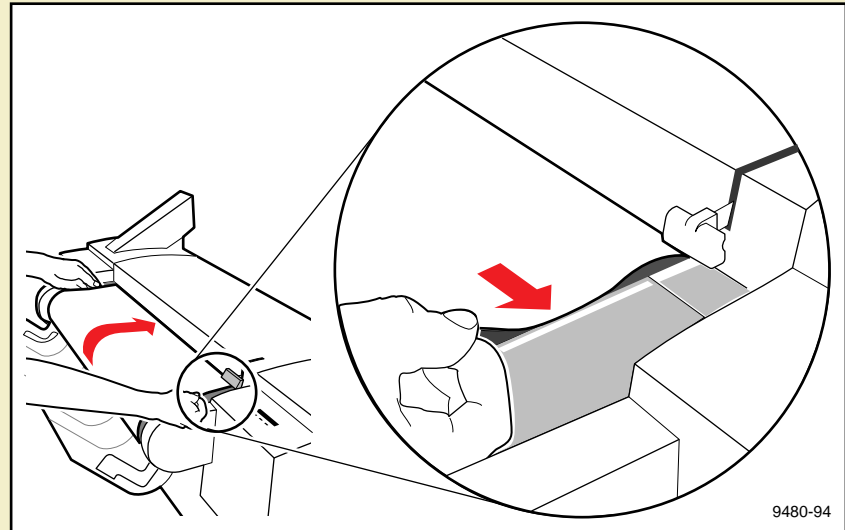


- 5** With the paper roll cover open, use a sharp knife (such as the cutting tool included with the printer) to trim the media. Use the printer's cutting guide to make a clean cut.



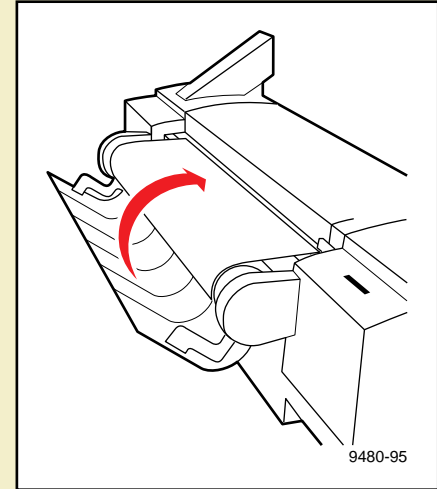
- 6** Lift the top cover's latch; remove and discard the cut strip of media.

- 7 Press down on the top cover latch to lock it.
- 8 Holding the media by the edges, feed it into the printer evenly until it stops. Make sure that you align the right side of the media with the guide on the printer.



9480-94

- 9 Once the printer grabs the media and advances it, close the paper roll cover.



Using a 2-inch core media roll: removing the core adapter

If you are using a media roll with a 2-inch core, you must first adjust the endcaps (remove the adapters) to accommodate the smaller core size.

Start with an **empty** paper roll holder:

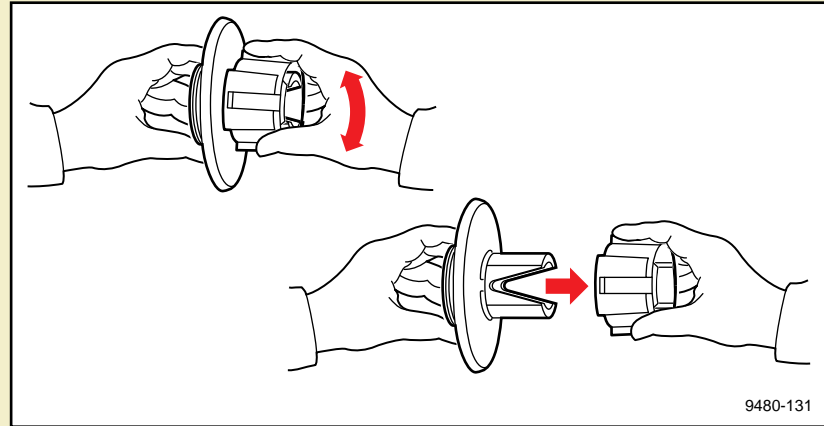
- Holder is out of the printer.
- Removable endcap is removed.
- Media roll is removed from the holder.

1 For each endcap:

Holding the adapter and endcap firmly, rock the adapter back and forth to loosen it and pull it off the endcap.

2 Load the media roll as you would normally:

- Slide the media roll onto the shaft, so that the fixed endcap fits inside the core of the media roll.
- Replace the removable endcap.



Hint

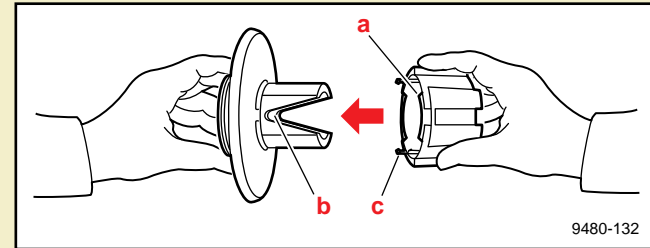
If you are using both 2-inch and 3-inch core media rolls, order an extra paper roll holder; refer to [Ordering Information](#).

Replacing the core adapter

Start with an **empty** paper roll holder:

- Holder is out of the printer.
- Removable endcap is removed.
- Media roll is removed from the holder.

- 1 For each endcap:**
 Align the tabs (a) on the inside of the adapter with the “V”-shaped openings (b) on the endcap’s core. The 4 teeth (c) of the adapter fit over the endcap’s core. Slide the adapter onto the endcap and push until it snaps into place.



- 2** Load the media roll as you would normally:
- Slide the media roll onto the shaft, so that the fixed endcap fits inside the core of the media roll.
 - Replace the removable endcap.

Startup page prints even though it is disabled

The printer's power-up self-test can detect problems that do not necessarily make the printer completely inoperable. Examples of these *non-fatal* errors include faulty printer ports and some memory failures.

If the printer detects a non-fatal error at power-up, the startup page prints, even if you have disabled it. In this case, the page contains one or more of the error messages listed in the following table. Depending on your needs, you may not need to call for service immediately.

Message	Description
Parallel Port failed I/O Card failed SCSI Port failed	The named port is not working. The other ports can still be used.
DRAM SIMM x failed	One of the memory SIMMs is not working. In this message, x indicates the number of the SIMM that failed. Since the printer's base memory is still working, the printer can still be used, but throughput may suffer.
Extended Features SIMM failed	The Extended Features SIMM is not working. The printer can be used, but no access to Print Preview, Reprint, and Copystation; no access to the 22 extra fonts. The base fonts are still available, but requests for the optional fonts will be replaced with Courier.

Clearing a media jam

NOTE



If the printer has frequent media jams, clean the printer regularly; see [Caring for Your Printer](#).

At a glance

If a media jam occurs, the front panel reports **Clear <Location> Jam**. These are the types of media jams that can occur:

- Exit jam
- Internal jam
- Entrance jam
- Fuser jam

Overview

For *any* media jam, clearing it consists of these basic steps (for complete instructions, refer to [Clearing a media jam](#)):

- 1** Cut the media, if necessary (roll media).
- 2** Open the top cover and use a pen to move the printhead to the far right.
- 3** Open the exit cover and move the fuser to the side.
- 4** Remove the jammed media from either the exit or top paper path.

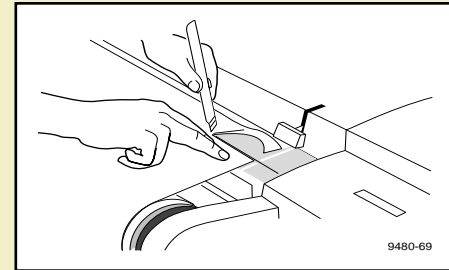
Hints

- If media is *not* loaded and the front panel reports a media jam, open the top cover and close it again to clear the error message.
- Whenever jammed media extends from the exit path, remove it from that location with a downward movement. Pulling media in the same direction as the paper path leaves less residue inside the printer than backing media out of the printer from the drum area.
- After removing the jammed media, inspect the inside of the printer for loose pieces of media and remove them.
- If the printer frequently reports **Clear Entrance Jam**, make sure that your media cuts are smooth and that you insert the media evenly; see [Cutting roll media](#).

Clearing a media jam

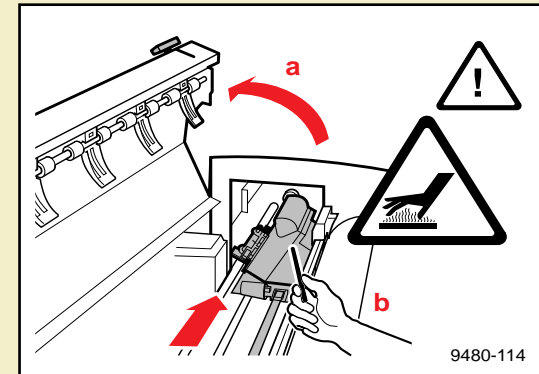
- 1 Cut the media if you are using roll media. If not, go to Step 2.**

With the paper roll cover open, use a sharp knife (such as the cutting tool included with the printer) to trim the jammed media. Use the printer's cutting guide to make a clean cut.



- 2 Move the printhead.**

- a** Open the top cover.
- b** Using an object such as a pen, move the hot printhead to the far right. If you do not do this, you might damage the printhead when you remove the media.



W A R N I N G



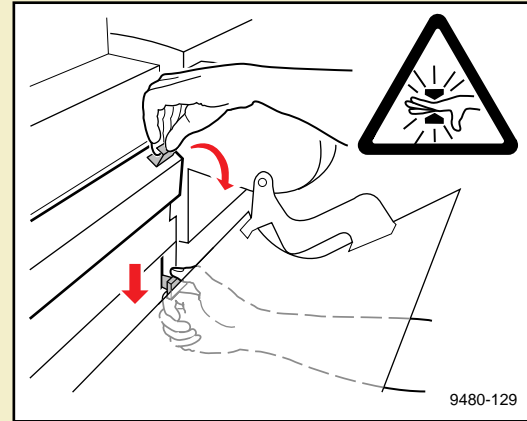
The printhead is hot. To avoid injury, do not use your hand to move the printhead.

3 Move the fuser.

a Open the exit cover.

W A R N I N G 

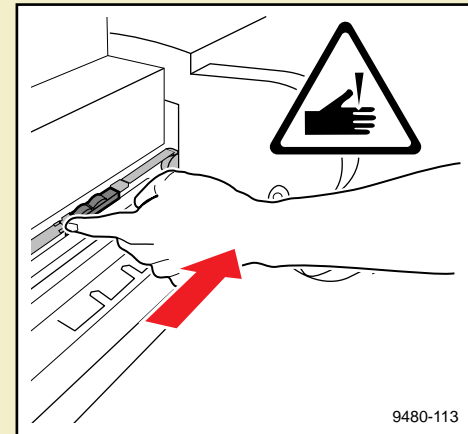
When lowering the exit cover, be careful not to pinch your hand between the paper roll cover and the exit cover.



b Move the fuser to the far right or left side of the printer.

N O T E 

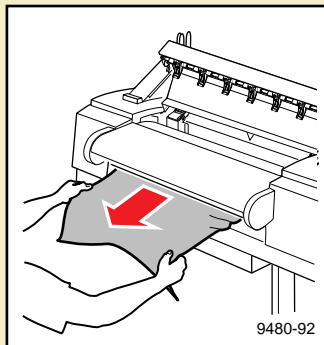
This protects the fuser and releases tension between the fuser wheel and the media; it also moves the cutter away from the jammed media.



- 4 Remove the jammed media.** For all types of media jams, always inspect the drum and rollers for any loose paper and remove it.

If paper extends *outside* the exit cover:

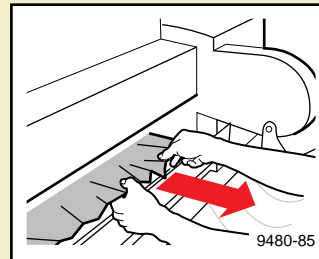
- Close the exit cover.
- Gently and evenly pull the media out of the exit path.



OR

If paper does not extend outside the exit cover:

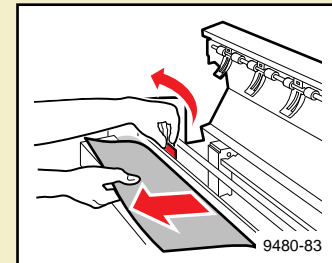
- With the exit cover open, remove the jammed media.



OR

If paper is only visible inside the top cover:

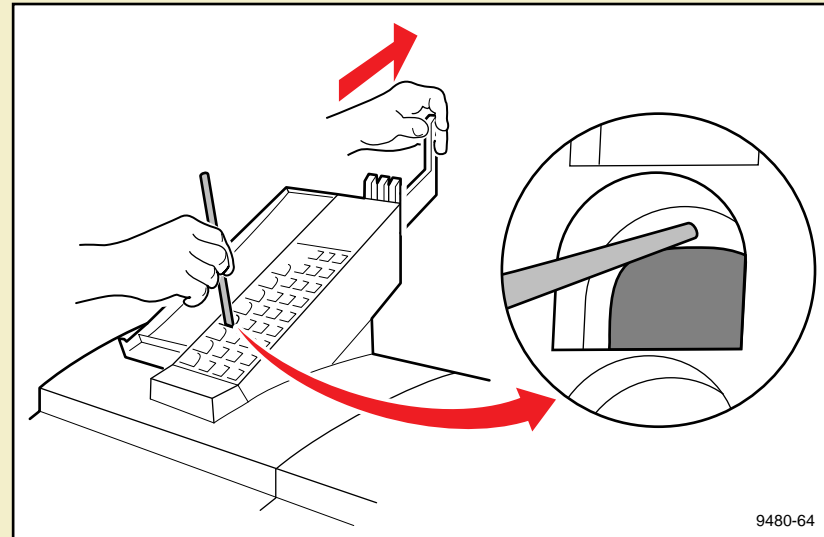
- Pull the back tension blade's handle toward you and hold it in that position; this lifts the blade away from the drum and releases the jammed media.
- Remove the media by pulling it out of the printer.



Clearing an ink jam

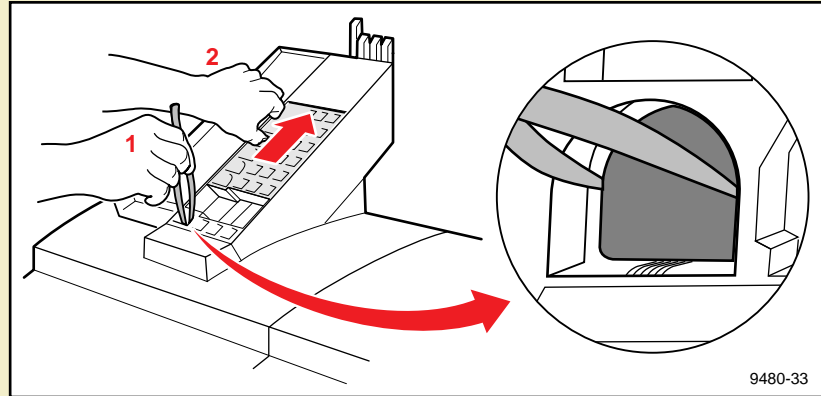
If an ink stick falls over in the loader

- Use a pen or pen-like object to insert into the opening and rotate the ink stick to the “up” position.
- If you have trouble reaching an ink stick, you can raise the slider or slide the keyplate up for better access.



If an ink stick doesn't drop completely

- 1 Use tweezers to lift the ink stick out of the printhead *or* use a pen or pen-like object to push the ink stick into the printhead.
- 2 If you have trouble reaching an ink stick, you can slide the keyplate up for better access.



CAUTION

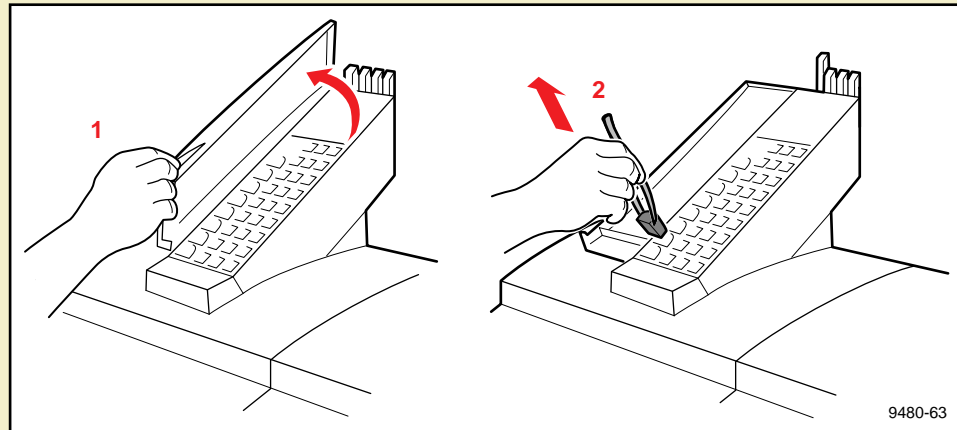


A belt in the ink loader may be out of position after an ink jam. Do not try to reposition it or you may damage the ink loader. The belt resets to the correct position when the next ink stick is loaded.

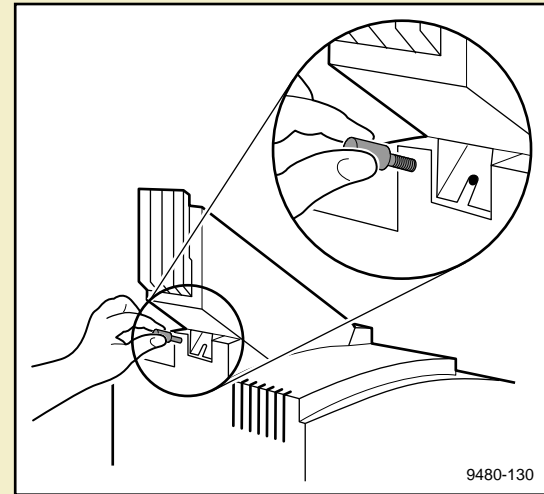
Removing the ink loader

If you are unable to clear an ink jam with the procedures [If an ink stick falls over in the loader](#) and [If an ink stick doesn't drop completely](#), you can remove the ink loader:

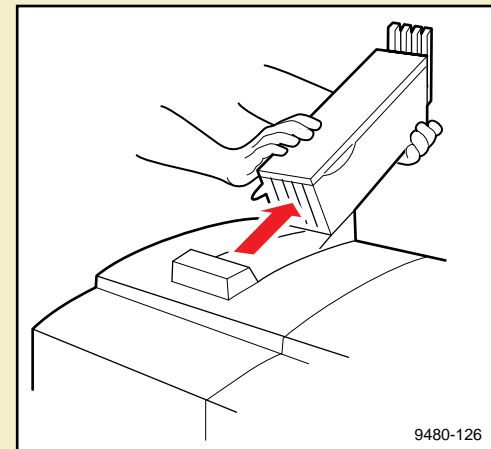
- 1 Open the ink loader cover.
- 2 Using your hands or tweezers, remove all but the bottom ink sticks from the loader. Set the ink sticks aside for later use. Close the cover.



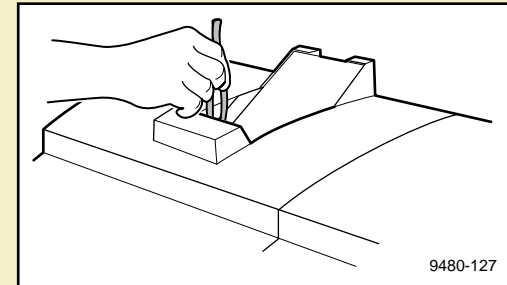
- 3 Remove the screw that holds the ink loader to the printer.



- 4 Slide the ink loader out of the printer.



- 5 With the ink loader out of the way, use tweezers to remove the remaining ink sticks from inside the printer.
- 6 Reattach the ink loader and load the ink.
- 7 Turn the printer off and back on again. After the printer initializes and warms up, the front panel displays **Ready**.





USING THE FRONT PANEL

Phaser[®] 600 Wide-Format Color Printer

The printer has several Help Pages that you can print to learn more about the printer.

Click on the following topics for more information:

- [Front panel](#)
- [Help Pages overview](#)
- [Printing the front panel menu map](#)
- [Printing the configuration page](#)
- [Printing the startup page](#)
- [Enabling and disabling the startup page](#)
- [Enabling and disabling front panel menus](#)

Front panel

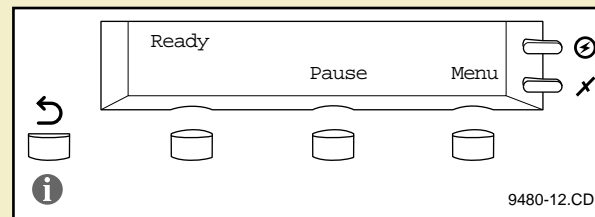
Click on the following topics for details on parts of the front panel:

- [Front panel overview](#)
- [Front panel indicators](#)
- [Front panel buttons](#)
- [Two-line display](#)
- [Printer information](#)
- [Front panel menu map](#)
- [Pause menu](#)

Front panel overview

The front panel provides information with these features:

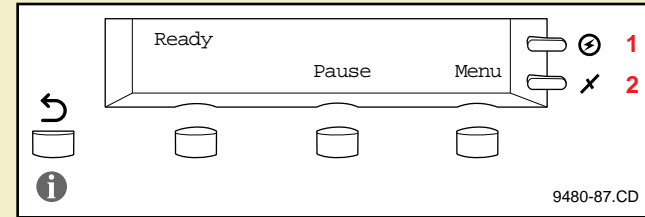
- Two indicator lights
- Four buttons
- A display of two lines of 24-characters each for messages, button (action) labels, user-adjustable parameter settings, and printer information.



Front panel indicators

The front panel includes these indicator lights:

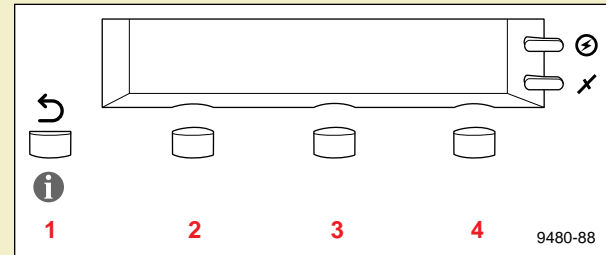
- 1 Power** (green LED)
- 2 Error** (red LED)



Indicator	On	Blinking	Off
1. Power	The printer is on and ready for operation.	<ul style="list-style-type: none"> ■ The printer is processing or printing an image. ■ The printer is in interactive mode: you have pressed the Menu button. ■ The printer is performing a function, such as warm-up or cleaning, that requires no user interaction. 	The printer is not ready, or there is an error.
2. Error		<ul style="list-style-type: none"> ■ If the Power indicator is lighted, the printer requires immediate user interaction (for example, clear a media jam or close an open door). Check the front panel message. ■ If the Power indicator is not lighted, the printer detects a hardware error. 	Normal operation: there are no print engine or controller board errors.

Front panel buttons

The front panel buttons function according to the state (mode) the printer is in.



Mode	Front Panel Buttons			
	1	2	3	4
Ready Normal operating mode	Provides printer information when pressed and held down. Refer to Printer information .	Cancel Cancels a job that is printing or processing.	Pause Accesses the Pause menu.	Menu Accesses the front panel menu.

Mode	Front Panel Buttons			
	1	2	3	4
Interactive Press Menu	Backs up a level of the menu without making a selection.	<--- Scrolls backward through the available selections.	---> Scrolls forward through the available selection.	Menu Accesses front panel sub-menus.
	Exits the menu and returns the printer to Ready.		Confirm Implements a selection.	Print Executes a print command.
				Select Accepts the selected value.
				View Allows the user to view information.
Pause Press Pause	Backs up a level of the menu without making a selection. Exits the menu and returns the printer to Ready.	Reprint Accesses the Reprint selections.	Feed Advances the media.	Cut Cuts the media.

Mode	Front Panel Buttons			
	1	2	3	4
Print Preview Driver selection	Provides printer information when pressed and held down. Refer to Printer information .	Cancel Cancels the current print preview job.	Pause Accesses the Pause menu, to print the reduced image at a different scale.	Print Prints the current job being previewed.
Standby Conserving energy	Wake Up Pressing any key activates the warm-up process, eventually bringing the printer to the Ready state.			

Two-line display

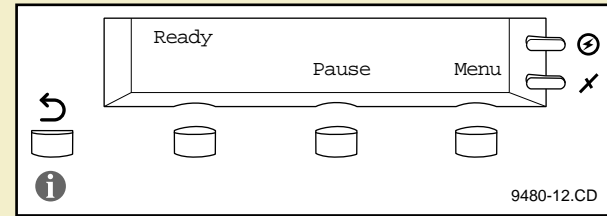
The two lines of the display have the following functions:

Line 1

- Displays status messages such as **Ready** and **Printing**.
- Displays operation errors and warnings such as **Ink Loader Low**.
- Displays the names of menus and parameters you can set.

Line 2

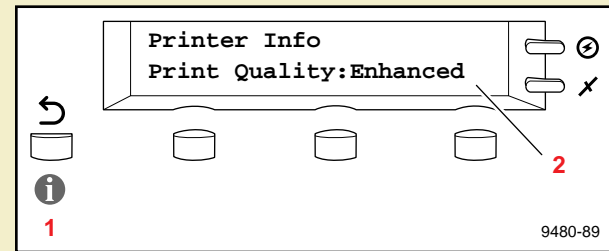
- In interactive mode, displays button labels such as **<---** for *previous* and **--->** for *next* (for moving through selections in a given menu), **Menu** for access to a menu of selections, and **Print** and **Select** to make selections.
- In normal operating mode, displays printer information when the **i** button is pressed and held down.



For a roadmap to the front panel menu selections, turn to [Front panel menu map](#).

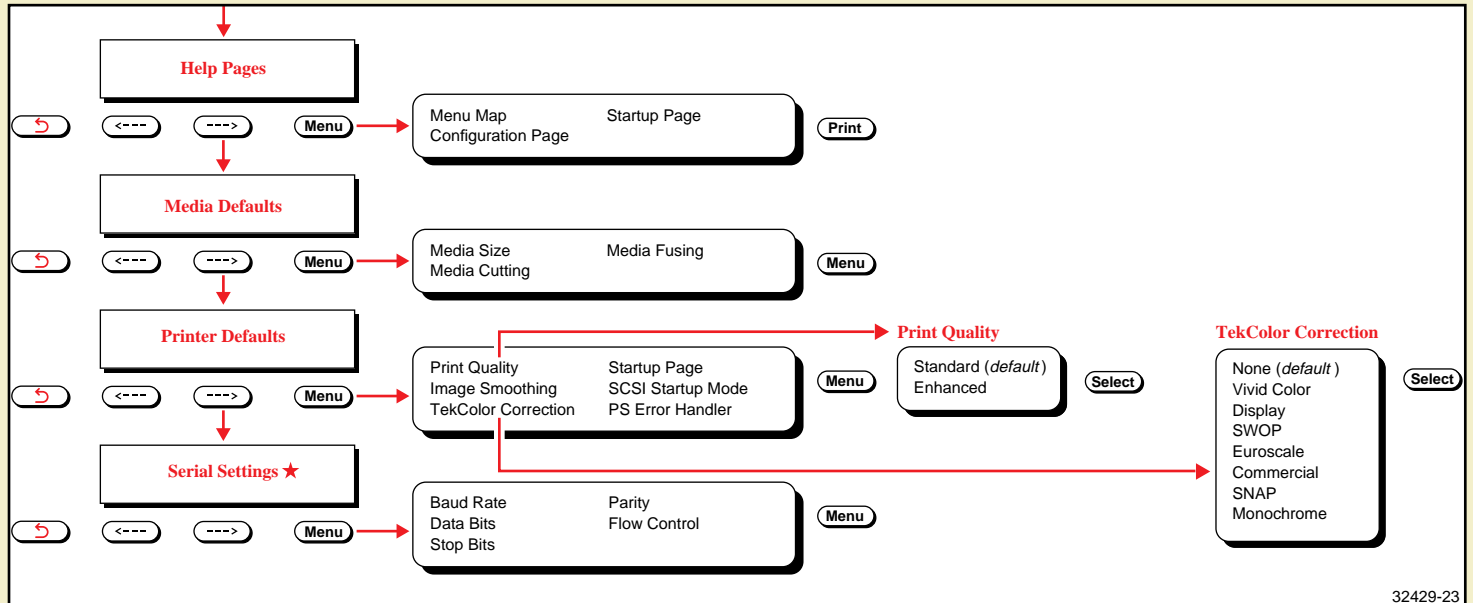
Printer information

The first button on the front panel (1) allows you to access the following information from the printer's current settings; this information appears on the lower line of the front panel display (2).

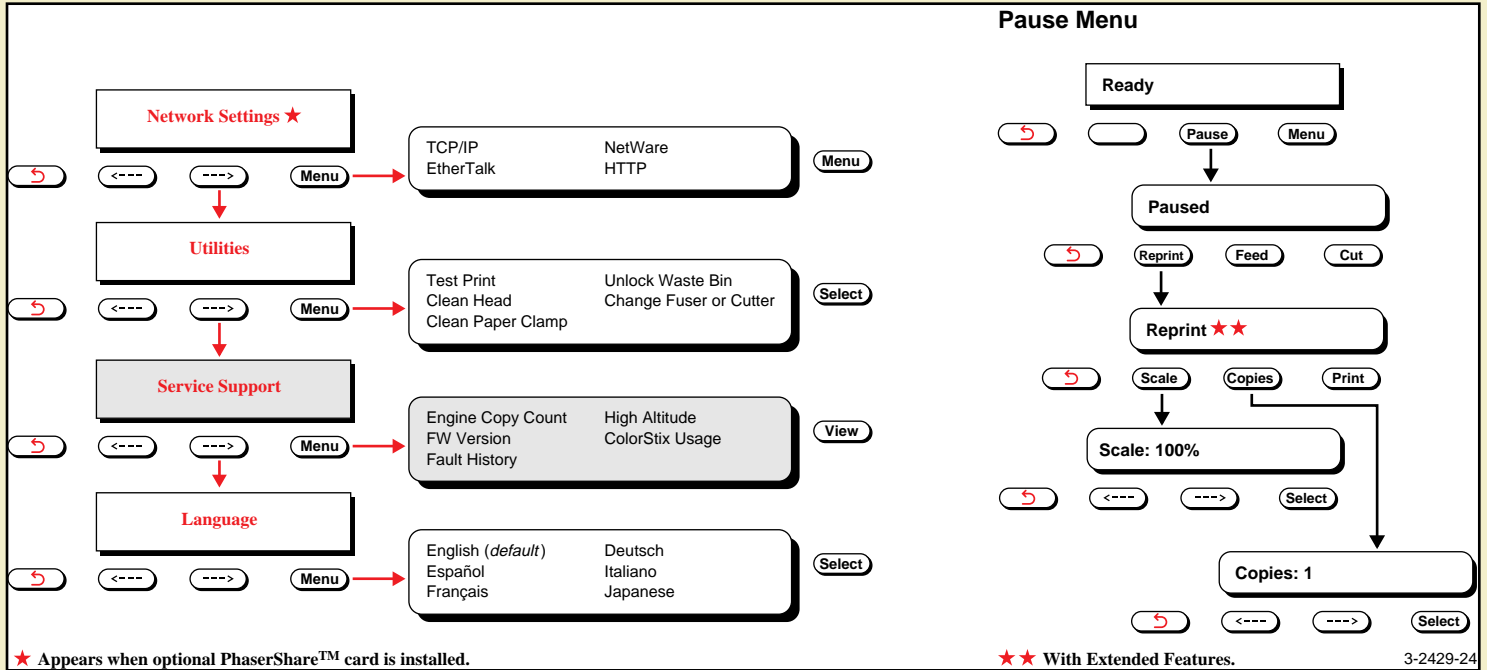


- **Printer name:** The name assigned to the printer by the system administrator.
- **Media Size:** Current print job or front panel setting for media size.
- **Print Quality:** Current print job or front panel setting for Print Quality (**Standard**, **Enhanced**).
- **Fusing:** Current print job or front panel setting for media fusing (**Hot**, **Cold**, **None**).
- **Cutting:** Current print job or front panel setting for media cutting (**Per Page**, **Per Job**, **Off**)
- **Configuration:** Standard or Extended Features; amount of installed RAM (**Extended**, **Standard**; **8MB**, **24MB**, **40MB**)

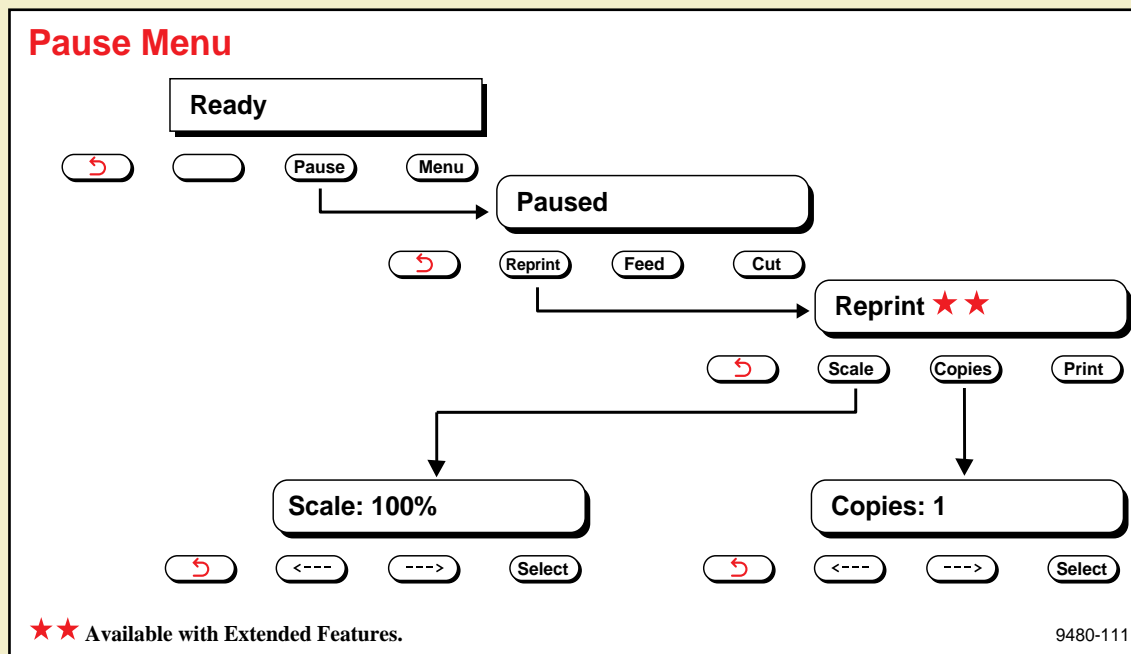
Front panel menu map



32429-23



Pause menu



Reprint

The **Reprint** function is available in the front panel's Pause menu if an Extended Features option is installed. It allows you to reprint the last PostScript image specifying the number of copies and the scale of the image. For more detailed information, refer to [Reprint](#).

Help Pages overview

The printer has several Help Pages that you can print to learn more about the printer.

Help page	Description
Printing the front panel menu map	Provides a graphical view of the front panel menus.
Printing the configuration page	Lists general information on printer settings and how the printer is configured.
Printing the startup page	Lists the number of pages printed, installed interface ports, software version numbers, installed RAM memory, the number of fonts, and other useful information.
Test Print	Provides a test pattern to diagnose print quality problems. (Available through the Utilities menu.)

Printing the front panel menu map

The front panel menu map provides a convenient navigation aid for quickly determining the location of menu items.

There are two ways to print the front panel menu map:

- [Printing the menu map from the front panel](#)
- [Printing the menu map with PhaserLink software](#)

Printing the menu map from the front panel

- 1 While the **Ready** message is displayed, press the **Menu** button. The printer displays the first item in the menu:

```
Help Pages
<----- > Menu
```

- 2 Press the **Menu** button to access the Help Pages. The following message appears:

```
Menu Map
<----- > Print
```

- 3 Press the **Print** button to print a menu map page.

Printing the menu map with PhaserLink software

Refer to the *PhaserShare Status Software User Manual* for information on using your World Wide Web browser to access the printer.

Printing the configuration page

A configuration page is similar to the printer's startup page, but it also provides details about each available port.

There are several ways to print the configuration page:

- [Printing the configuration page from the front panel](#)
- [Printing the configuration page with a downloadable utility file](#)
- [Printing the configuration page with PhaserLink software](#)

Printing the configuration page from the front panel

- 1 While the **Ready** message is displayed, press the **Menu** button. The printer displays the first item in the menu:

```
Help Pages
<---->      Menu
```

- 2 Press the **Menu** button to access the Help Pages. The following message appears:

```
Menu Map
<---->      Print
```

- 3 Press the left arrow (<----) or right arrow (---->) buttons until the following message appears:

```
Configuration Page
<---->      Print
```

- 4 Press the **Print** button to print a configuration page.

Printing the configuration page with a downloadable utility file

Use one of the following methods to download a utility file to the printer to print the configuration page:

- [Macintosh utility file: Configuration Page](#)
- [PC utility file: PRNTCNFG.PS](#)

Macintosh utility file: *Configuration Page*

NOTE



If you are using QuickDraw GX, you can use the Tektronix Phaser 600 GX driver to print a copy of the configuration page.

- 1** Install the utility files from the Phaser 600 printer's CD-ROM; see [Macintosh software](#) for instructions.
- 2** Select the appropriate printer in the **Chooser**.
- 3** Locate the *LaserWriter Utility* in the *PhaserTools* folder on your hard disk, and double-click its icon to start the application.
- 4** Choose **Download PostScript File** from the **Utilities** menu.
- 5** Select the *Configuration Page* file from the list, then click **Open**. (This file was installed in the *Printer Utilities* folder, inside the *PhaserTools* folder.)

- 6 At the prompt `Save PostScript output as:` you are asked for a file name for saving printer output. Use either the default name given in the edit box or type a new name.
- 7 Click **Save** to send the file to the printer.
- 8 If no output is returned by the printer, the *LaserWriter Utility* displays a dialog box; click **OK** to continue.

PC utility file: *PRNTCNFG.PS*

- 1 Follow the instructions in [PC/Windows software](#) to install the printer's software. Select **Easy Install** to automatically install the software, or select the *Printer Utilities* item in the **Custom Install: Utilities** window.
- 2 Locate the files in the *PHSR600* subdirectory, inside the *PHSRTOOL* directory created on your hard disk by the installer application.
- 3 Use one of the following methods to send the *PRNTCNFG.PS* file to the printer:
 - **PC users:** Use the DOS **COPY** command to send the file to the printer. (Windows 3.1 users can also use the **Copy** command in the **File Manager**.)
 - **Workstation users:** Send the file to the printer as you would any PostScript file.

Printing the configuration page with PhaserLink software

Refer to the *PhaserShare Status Software User Manual* for information on using your World Wide Web browser to access the printer.

Printing the startup page

By default, printing of the startup page is enabled on power up. However, you can print the startup page anytime you need information on the number of pages that have been printed, the amount of installed memory, the number of fonts in memory, and installed interface ports.

Use the following methods to print a copy of the printer's startup page without turning the printer off and on.

NOTE



If the printer detects a non-fatal failure, it automatically prints a startup page containing diagnostic information regardless of the startup page setting.

There are several ways to print the startup page:

- [Printing the startup page from the front panel](#)
- [Printing the startup page with a downloadable utility file](#)
- [Printing the startup page with PhaserLink software](#)

Printing the startup page from the front panel

- 1 While the Ready message is displayed, press the **Menu** button. The printer displays the first item in the menu:

```

Help Pages
<----- <-----> Menu
  
```

- 2 Press the **Menu** button to access the Help Pages. The following message appears:

```

Menu Map
<----- <-----> Print
  
```

- 3 Press the left arrow (<-----) or right arrow (<----->) buttons until the following message appears:

```

Startup Page
<----- <-----> Print
  
```

- 4 Press the **Print** button to print a startup page.

Printing the startup page with a downloadable utility file

Use one of the following methods to download a utility file to the printer to print the startup page:

- [Macintosh utility file: Print Start Page](#)
- [PC utility file: PRNTSTPG.PS](#)

Macintosh utility file: *Print Start Page*

NOTE



If you are using QuickDraw GX, you can use the Tektronix Phaser 600 GX driver to print a copy of the printer's startup page.

- 1** Install the utility files from the Phaser 600 printer's CD-ROM; see [Macintosh software](#) for instructions.
- 2** Select the appropriate printer in the **Chooser**.
- 3** Locate the *LaserWriter Utility* in the *PhaserTools* folder on your hard disk, and double-click its icon to start the application.
- 4** Choose **Download PostScript File** from the **Utilities** menu.
- 5** Select the *Print Start Page* file from the list, then click **Open**. (This file was installed in the *Printer Utilities* folder, inside the *PhaserTools* folder.)

- 6 At the prompt `Save PostScript output as:` you are asked for a file name for saving printer output. Use either the default name given in the edit box or type a new name.
- 7 Click **Save** to send the file to the printer.
- 8 If no output is returned by the printer, the *LaserWriter Utility* displays a dialog box; click **OK** to continue.

PC utility file: *PRNTSTPG.PS*

- 1 Follow the instructions in [PC/Windows software](#) to install the printer's software. Select **Easy Install** to automatically install the software, or select the *Printer Utilities* item in the **Custom Install: Utilities** window.
- 2 Locate the files in the *PHSR600* subdirectory, inside the *PHSRTOOL* directory created on your hard disk by the installer application.
- 3 Use one of the following methods to send the *PRNTSTPG.PS* file to the printer:
 - **PC users:** Use the DOS **COPY** command to send the file to the printer. (Windows 3.1 users can also use the **Copy** command in the **File Manager**.)
 - **Workstation users:** Send the file to the printer as you would any PostScript file.

Printing the startup page with PhaserLink software

Refer to the *PhaserShare Status Software User Manual* for information on using your World Wide Web browser to access the printer.

Enabling and disabling the startup page

You can choose to have a startup page print each time the printer is turned on or reset, or you can disable the startup page.

You can enable and disable printing of the startup page in several ways:

- [Enabling and disabling the startup page from the front panel](#)
- [Enabling and disabling the startup page with a downloadable utility file](#)
- [Enabling and disabling the startup page with PhaserLink software](#)

Enabling and disabling the startup page from the front panel

- 1 While the **Ready** message is displayed, press the **Menu** button. The printer displays the first item in the setup menu:

```
Help Pages
<----      ---->      Menu
```


- 2 Using the left arrow (<----) or right arrow (---->) buttons, scroll through the selections until the following message appears:

```
Printer Defaults
<----      ---->      Menu
```

- 3 Press the **Menu** button to access the printer defaults settings.
- 4 Using the left arrow (<----) or right arrow (---->) buttons, scroll through the selections until the following message appears:

```
Startup Page
<----      ---->      Menu
```

- 5 Press the **Menu** button to access the startup page settings.
- 6 Press the right arrow (---->) button once for the following message:

Startup Page:Off
<---- ----> Select
- 7 Press the **Select** button to disable printing of the startup page.
- 8 To return to the top level of the menu, press the  button until the printer displays the **Ready** message.

Enabling and disabling the startup page with a downloadable utility file

Use one of the following methods to download a utility file to the printer to enable or disable the startup page:

- [Macintosh utility file: LaserWriter Utility](#)
- [PC utility file: STARTPG.PS/NOSTRTPG.PS](#)

Macintosh utility file: *LaserWriter Utility*

- 1** Install the utility files from the Phaser 600 printer's CD-ROM; see [Macintosh software](#) for instructions.
- 2** Select the appropriate printer in the **Chooser**.
- 3** Locate the *LaserWriter Utility* in the *PhaserTools* folder on your hard disk, and double-click its icon to start the application.
- 4** Choose **Set Startup Page** from the **Utilities** menu.
- 5** Select either the **on** or **off** button, then click **OK**.

PC utility file: *STARTPG.PS/NOSTRTPG.PS*

- 1 Follow the instructions in [PC/Windows software](#) to install the printer's software. Select **Easy Install** to automatically install the software, or select the *Printer Utilities* item in the **Custom Install: Utilities** window.
- 2 Locate the files in the *PHSR600* subdirectory, inside the *PHSRTOOL* directory created on your hard disk by the installer application.
- 3 Select one of the following files:
 - Use the *STARTPG.PS* file to enable printing of the printer's startup page.
 - Use the *NOSTRTPG.PS* file to disable the printer's startup page.
- 4 Use one of the following methods to send the desired file to the printer:
 - **PC users:** Use the DOS **COPY** command to send the file to the printer. (Windows 3.1 users can also use the **Copy** command in the **File Manager**.)
 - **Workstation users:** Send a file to the printer as you would any PostScript file.

Enabling and disabling the startup page with PhaserLink software


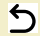
Refer to the *PhaserShare Status Software User Manual* for information on using your World Wide Web browser to access the printer.

Enabling and disabling front panel menus

System administrators may choose to limit user access to front panel menus by downloading a utility file to the printer. The “lock” utility file prevents most menu items from being displayed on the front panel. The capability of limiting menu access is often useful when a system administrator needs to retain control of the printer’s settings. For example, selections made on the printer’s front panel can affect the prints of all users sharing the printer on a network. A system administrator may want to disable the menus so users can only select printing features, such as color corrections, through their applications on an individual basis. In the protected mode, users still have access to print the Test Print, Configuration, and Startup pages, as well as printer information.

NOTE



If you have used the Menu Short (MENUSHRT.PS) file to disable the front panel menus, you can temporarily re-enable the menus by holding down the printer’s front panel **Menu** button while pressing the  button. You can scroll through the menus as usual, however, when you press the  button again the front panel returns to the shortened form.

To enable or disable the front panel menus, use one of these methods:

- [Macintosh utility file: Menu Short /Menu Long](#)
- [PC utility file: MENUSHRT.PS/MENULONG.PS](#)

Macintosh utility file: *Menu Short /Menu Long*

- 1 Install the utility files from the Phaser 600 printer's CD-ROM; see [Macintosh software](#) for instructions.
- 2 Select the appropriate printer in the **Chooser**.
- 3 Locate the *LaserWriter Utility* in the *PhaserTools* folder on your hard disk, and double-click its icon to start the application.
- 4 Choose **Download PostScript File** from the **Utilities** menu.
- 5 Select one of the following files from the list, then click **Open**. (These files were installed in the *Printer Utilities* folder, inside the *PhaserTools* folder.)
 - Use the *Menu Short* file to disable the printing features menus on the printer's front panel.
 - Use the *Menu Long* file to expand the printer's front panel to show all menus.

- 6 At the prompt `Save PostScript output as:` you are asked for a file name for saving printer output. Use either the default name given in the edit box or type a new name.
- 7 Click **Save** to send the file to the printer.
- 8 If no output is returned by the printer, the *LaserWriter Utility* displays a dialog box; click **OK** to continue.

PC utility file: *MENUSHRT.PS/MENULONG.PS*

- 1 Follow the instructions in [PC/Windows software](#) to install the printer's software. Select **Easy Install** to automatically install the software, or select the *Printer Utilities* item in the **Custom Install: Utilities** window.
- 2 Locate the files in the *PHSR600* subdirectory, inside the *PHSRTOOL* directory created on your hard disk by the installer application.
- 3 Select one of the following files:
 - Use the *MENUSHRT.PS* file to disable the printing features menus on the printer's front panel.
 - Use the *MENULONG.PS* file to expand the printer's front panel to show all menus.
- 4 Use one of the following methods to send the desired file to the printer:
 - **PC users:** Use the DOS **COPY** command to send the file to the printer. (Windows 3.1 users can also use the **Copy** command in the **File Manager**.)

- **Workstation users:** Send the file to the printer as you would any PostScript file.



ORDERING INFORMATION

Phaser[®] 600 Wide-Format Color Printer

Tektronix Printer and Tektronix Supplies: Made For Each Other®

Tektronix supplies are developed and tested as a total *system*: printer, ink, and media. These system components work together to produce consistent, high-quality color images.

Always order Tektronix supplies for your printer printer to guarantee the best print quality, media feed reliability, and trouble-free printer performance.

C A U T I O N



To avoid damaging the printhead, use only Tektronix' Phaser 600 ColorStix® ink sticks in your printer.

Customizing your printer

Tektronix offers upgrade and accessory kits to expand your printer's capabilities. To order upgrade kits, refer to the information provided in this chapter or the supplies information sheet that was shipped with the printer and contact your local dealer or Tektronix office. In the United States, call Tektronix at **1-800-835-6100**.

Ordering printer supplies

For a complete list of printer supplies, refer to the supplies information sheet that was shipped with the printer and contact your local dealer or, in the United States, call Tektronix at **1-800-835-6100**.

Phaser 600 printer supplies

Supplies		Order number	Description	
ColorStix [®] ink sticks		016-1453-00	Black	Box of 48
		016-1454-00	Cyan	
		016-1455-00	Magenta	
		016-1456-00	Yellow	
		016-1566-00	Rainbow Pack	6 sticks per color
Paper Rolls	Smooth White Bond	016-1474-00	610 mm x 60.9 m	24 in. x 200 ft.
		016-1475-00	914 mm x 60.9 m	36 in. x 200 ft.
	Photo Grade Presentation Paper	016-1476-00	610 mm x 45.7 m	24 in. x 150 ft.
		016-1477-00	914 mm x 45.7 m	36 in. x 150 ft.
	Premium Tracing/ Backlit Paper	016-1478-00	914 mm x 45.7 m	36 in. x 150 ft.

Phaser 600 printer supplies (cont'd.)

Supplies		Order number	Description	
Transparency/ Film Rolls	Transparent Film	016-1483-00	914 mm x 22.8 m	36 in. x 75 ft.
	Backlit Display Film	016-1479-00	914 mm x 15.2 m	36 in. x 50 ft.
Specialty Media Rolls	Repositionable Adhesive Display Vinyl	016-1481-00	914 mm x 15.2 m	36 in. x 50 ft.
	Artist's Presentation Canvas	016-1482-00	914 mm x 10.7 m	36 in. x 35 ft.
Lamination Film	High Gloss Lamination Film	016-1496-00	940 mm x 76.2 m	37 in. x 250 ft.
Fuser Kit		016-1472-00	Contains:	
			■ 2 fuser wheels	
			■ 2 foam oiler wheels	
			■ 2 cutters	
Cleaning Kit		016-1400-00	Contains	
			■ 10 pre-soaked alcohol cloths	
			■ Lint-free cloths	
			■ 1 plastic bottle (2 oz.)	
			■ 10 foam swabs	
			■ 1 cleaning tool	
Pre-soaked alcohol cloths		006-7824-01	Packet of 10	

Phaser 600 printer accessories

	Order number	Description
Accessories	016-1257-00	Media roll holder
	118-9396-00	Extra media roll endcap
	118-9316-00	Output bin
	118-9307-00	Ink Loader
	4540	Phaser Copystation printer accessory
Manuals	070-9480-00	<i>Phaser 600 Color Printer User Manual</i>
	063-2429-00	<i>Phaser 600 Color Printer Quick Reference Guide</i>
	063-2628-00	<i>Phaser 600 Color Printer Quick Start Installation</i>
	063-2629-00	<i>Phaser 600 Color Printer Supplies Information Sheet</i>
	063-2671-00	<i>Phaser 600 Repacking Instructions</i>
	070-9538-00	<i>PhaserShare Network Cards and Software System Administrator User Manual</i>
	070-9539-00	<i>PhaserShare Status Software User Manual</i>
	070-9270-00	<i>PhaserMatch User Manual</i>
Printer software	063-2428-00	Phaser 600 Printer Software diskettes
	063-2653-00	Phaser 600 Color Printer CD-ROM

Ordering Interface cables and adapters

The following cables and adapters are available through Tektronix or your dealer. Contact your dealer for other cables and adapters.

Order number	Description	Connectors and cable length
012-1468-00	Parallel cable Connects the printer's parallel port to a PC or workstation parallel port.	36-pin high-density plug to 25-pin DSUB plug; 3 meters (9.84 feet)
013-0299-00	Parallel/Centronics adapter Adapts your system's existing low-density, Centronics parallel cable connector to the printer's high-density parallel connector.	Converts 36-pin low-density 1284-B plug to 36-pin high-density 1284-C plug
012-1465-00	SCSI-2 HD to SCSI-1 LD cable Connects the printer's SCSI port to a hard disk drive or the Phaser Copystation SCSI port.	50-pin high-density plug to 50-pin low-density plug; 2.0 meters (6.56 feet)
012-1299-00	SCSI-1 LD to Macintosh SCSI cable Combine with 013-0297-00 to connect the printer's SCSI port to a hard disk drive with Macintosh SCSI 25-pin plug.	50-pin low-density plug to Macintosh SCSI 25-pin plug

Order number	Description	Connectors and cable length
013-0297-00	SCSI-1 LD to SCSI-2 HD adapter Use with either 012-1465-00 or 012-1299-00 to convert a low-density SCSI connection to a high-density SCSI connection.	Converts 50-pin low-density plug to 50-pin high-density plug
012-1379-00	Serial (RS-232) Null modem cable Connects the printer's serial port to a PC or workstation serial port.	9-socket receptacle to 9-socket receptacle; 1.8 meters (6 feet)
012-1380-00	Serial (RS-232) Null modem cable Connects the printer's serial port to a PC or workstation serial port.	9-socket receptacle to 25-socket receptacle; 1.8 meters (6 feet)

Expanding your printing system

Click on the following topics for more information:

- [Upgrade kits](#)
- [Extended Features upgrade](#)
- [Memory upgrade](#)
- [PhaserShare network cards](#)
- [Phaser Copystation](#)
- [PhaserPrint](#)
- [PhaserSym](#)
- [SCSI hard disk](#)

Upgrade kits


Order number	Description
4685F16	16-Mbyte SIMM for adding memory (Option 16); see Advantages of adding memory .
Z480F32	32-Mbyte SIMM for adding memory (Option 32); see Advantages of adding memory .
Z600FX	Extended Features SIMM for 22 additional fonts, Copystation support, Print Preview feature, and Reprint feature.
Z600FJ	Extended Features SIMM for Kanji fonts, Copystation support, Print Preview feature, and Reprint feature.
Z350FP1	Ethernet networking card upgrade kit; includes EtherTalk and Novell NetWare protocols (Option P1).
Z350FP3	LocalTalk networking card upgrade kit; includes LocalTalk protocol and RS-232 (serial) interface (Option P3).
Z350FP4	Token Ring Networking Card upgrade kit (Option P4).
Z350DSK	Phaser SCSI hard disk
Z600SS	Media Startup Kit.
4540	Phaser Copystation accessory adds color copying capability to your Tektronix Phaser printer.

Extended Features upgrade

In its standard configuration, the Phaser 600 printer offers 8 (or 24 or 40) Mbytes of RAM memory, 17 fonts, support for PhaserMatch™ custom color-matching profiler, and PhaserLink™ software, Tektronix' online control of printer features and access to printer information through a standard web browser. The Extended Features upgrade is especially suited for workgroups, enhancing the printer's performance in the following ways:

- **Z600FX** Adds 22 Roman fonts for a total of 39 fonts.
- **Z600FJ** Adds 2 Kanji fonts for a total of 17 Roman, 2 Kanji fonts.
- Provides the **Reprint** feature that allows you to reprint a previously printed image at a different scale and copy count.
- Provides the **Print Preview** feature that lets you preview an image by printing it at a reduced scale, which takes less time and media than printing a full-scale image.
- Adds support for the Phaser Copystation.

N O T E

If you are not sure which printer configuration you have, press and hold down the  button on the printer's front panel. Printer information appears on the lower line of the display.


To order the Extended Features upgrade for a Phaser 600 printer, use Tektronix order number Z600FX (Roman fonts) or Z600FJ (Kanji fonts).

Memory upgrade

The Phaser 600 printer has 8 Mbytes of standard memory. You can upgrade the printer's memory with either a 16 Mbyte-SIMM or a 32 Mbyte-SIMM (for a total of 24 Mbytes or 40 Mbytes, respectively).

NOTE



If you are not sure how much memory your printer has, press and hold down the  button on the printer's front panel. Printer information appears on the lower line of the display.

Advantages of adding memory

In general, more memory improves throughput, reduces the level of compression, provides more storage for downloadable fonts, and allows printing of the most complex images. Additional memory can also reduce offload time by increasing the size of input buffers for the I/O ports.

The following table summarizes the memory configurations for the printer printer:

Memory	Total memory	Performance / Benefit
Standard	8 Mbytes	Base configuration.
Add one 16-Mbyte SIMM	24 Mbytes	Increases virtual memory, I/O buffers. Improves throughput and performance.
Add one 32-Mbyte SIMM	40 Mbytes	

PhaserShare network cards

Tektronix PhaserShare™ network cards offer high-performance network connectivity for your color printer. PhaserShare network cards can be easily installed in your printer.

Order number	Description
Z350FP1	Adds Ethernet interface; includes support for Novell NetWare, EtherTalk, TCP/IP, Telnet and FTP. (Same as Option P1.)
Z350FP3	Adds LocalTalk/Serial interface. (Same as Option P3.)
Z350FP4	Adds Token Ring interface; includes support for Novell NetWare, TokenTalk, TCP/IP, Telnet and FTP. (Same as Option P4.)

Benefits of networking the printer

Adding a PhaserShare network card to your printer makes it an efficient, sharable printing resource in network environments. Network connections, such as Ethernet, offer significant speed improvements compared to the standard parallel communication connection. Several varieties of PhaserShare cards allow the printer to be seamlessly integrated into popular network configurations. All ports and protocols are simultaneously active, allowing the printer to be used in mixed environments.

Phaser Copystation

The Phaser Copystation adds easy-to-use, walk-up color copying capability to the Phaser 600 Color Printer. Especially useful is the ability to scan a small (for example, A-size) image and print the image with the **Scale to Fit** function on the printer. **Scale to Fit** automatically scales an image to fit the media installed or selected as the default.

For more information, refer to [Phaser Copystation](#). For detailed instructions on connecting and operating the Phaser Copystation, refer to the *Phaser CopyStation User Manual*.

NOTE



To order a Phaser Copystation, use Tektronix order number 4540.

PhaserPrint

For printing in UNIX environments, Tektronix offers PhaserPrint™ software. PhaserPrint software provides fast raster file and screen copy printing to Tektronix color printers. PhaserPrint software also provides a graphical user interface for push-button control of Tektronix printer features. PhaserPrint software works with the workstation's native spooling system to print PostScript files and raster files in the Sun Raster Format (SRF), **xwd**, SGI RGB, and other formats.

The printer's CD-ROM contains a demonstration copy of the PhaserPrint software and an on-line instruction guide in the *phaserpr.unx* directory. Refer to [Printing from a workstation](#) for more information.

N O T E



To order PhaserPrint software, use Tektronix order number 4690F20.

PhaserSym

For printing in VMS environments, Tektronix offers PhaserSym™. PhaserSym is a VMS print symbiont for DEC OpenVMS VAX, and DEC OpenVMS AXP machines. PhaserSym facilitates communication between VMS hosts and Tektronix Phaser printers. PhaserSym requires that the Phaser printer include Ethernet support.

NOTE



To order PhaserSym, use Tektronix order number 4690F41.

SCSI hard disk

The printer is equipped with an internal 1 Gbyte SCSI hard disk. You can also attach a Tektronix-approved external SCSI hard disk (order number Z350DSK) to the printer's SCSI port. You can connect one or more external SCSI hard disks to the printer for additional font storage. Contact Technical Support for recommended SCSI disk drives.



REGULATORY INFORMATION

Phaser[®] 600 Wide-Format Color Printer

Overview

Click on the following topics for more information:

- [Canadian EMC \(Electromagnetic Compatibility\) regulatory standards](#)
- [Declaration of conformity \(for 220-230 VAC equipment\)](#)
- [FCC Class B device \(for 100-120 VAC equipment\)](#)
- [Material Safety Data Sheets](#)
- [Specifications](#)
- [Copyrights/Trademarks](#)
- [Phaser® 600 Warranty](#)
- [Users safety summary](#)

Canadian EMC (Electromagnetic Compatibility) regulatory standards

- This digital apparatus does not exceed the Class B limits for radio noise emissions from digital apparatus set out in the Radio Interference Regulations of the Canadian Department of Communications.
- Le présent appareil numérique n'émet pas de bruits radioélectriques dépassant les limites applicables aux appareils numériques de la classe B prescrites dans le Règlement sur le brouillage radioélectrique édicté par le ministère des Communications du Canada.

Declaration of conformity (for 220-230 VAC equipment)

Tektronix, Inc.
Color Printing and Imaging Division
P.O. Box 1000
Wilsonville, Oregon 97070-1000 U.S.A.

declares, under our sole responsibility, that the product

printer (Z600)

to which this declaration relates, is in conformity with the following standard(s) or other normative document(s):

DECLARATION OF CONFORMITY (FOR 220-230 VAC EQUIPMENT)

For the EN55022:1986 Limits and Methods of measurement of radio Interference characteristics of Information Technology Equipment. Class B level.

For the EN61000-3-2 Limits for harmonic current emissions.

For the EN61000-3-3 Limitations of voltage fluctuations and flicker.

For the EN50082-1:1982 Electromagnetic compatibility Generic immunity standard Part 1: Residential, Commercial and Light Industry.

IEC1000-4-2:1993

ENV50140:1993

IEC1000-4-4:1003

EN61000-4-11:1993

ENV50141:1993

Following the provision of the Electromagnetic Compatibility Directory 89/336/EEC.

For the EN60950 Safety of Information Technology Equipment including Electrical Business Equipment.

Following the provisions of the Low Voltage Directive 73/23/EEC.

FCC Class B device (for 100-120 VAC equipment)

The equipment described in this manual generates and uses radio frequency energy. If it is not installed and used properly in strict accordance with Tektronix' instructions, it may cause interference with radio and television reception.

This equipment has been tested and verified to comply with the limits for a Class B digital device, pursuant to Part 15 of the FCC Rules. These limits are designed to provide reasonable protection against harmful interferences in a residential installation. This equipment generates, uses and can radiate radio frequency energy and, if not installed and used in accordance with the instructions, may cause harmful interference to radio communications. However, there is no guarantee that interference will not occur in a particular installation. If this equipment does cause harmful interference to radio or television reception, which can be determined by turning the equipment off and on, the user is encouraged to try to correct the interference by one of more of the following measures:

- Reorient or relocate the receiving antenna.
- Increase the separation between the equipment and receiver.
- Connect the equipment into an outlet on a circuit different from that to which the receiver is connected.
- Consult the dealer or an experienced radio/TV technician for help.

W A R N I N G



Changes or modifications not expressly approved by Tektronix can affect emission compliance and could void the user's authority to operate this product. To ensure emission compliance, use shielded interface cables.

Material Safety Data Sheets

Proper management of environmental resources protects the well-being of our employees, customers, shareholders, and the communities we are a part of worldwide.

Tektronix establishes and maintains sound environmental management practices to accomplish this goal and to assure compliance with the laws, regulations, and orders of the responsible governmental authorities wherever Tektronix and its subsidiaries operate.

Tektronix, Incorporated is complying with government regulations by providing Material Safety Data Sheets for this product.

*Color Printing and Imaging Division
Tektronix, Incorporated*

MSDS for ink

SECTION I - PRODUCT IDENTIFICATION

<u>Trade Name</u>	<u>Tektronix Part No.</u>
ColorStix [®] Ink, Black	016-1453-00
ColorStix [®] Ink, Cyan	016-1454-00
ColorStix [®] Ink, Magenta	016-1455-00
ColorStix [®] Ink, Yellow	016-1456-00

Product Use: Tektronix Phaser[®] 600 printers

SECTION 2 - INFORMATION ON INGREDIENTS

Fatty amide waxes
Rosin ester
Phthalate ester
black, cyan, magenta, and yellow dyes

The specific identity of ingredients, and their percentage composition, is withheld as a trade secret.

SECTION 3 - HAZARDS IDENTIFICATION

ROUTES OF EXPOSURE: Skin
POTENTIAL HEALTH EFFECTS

Immediate effects: None expected. See section 11 for toxicology test information.

Long Term effects: None expected

Carcinogenicity: None of the ingredients of this product are listed as carcinogens by either OSHA, NTP, or IARC.

SIGNS AND SYMPTOMS OF EXPOSURE: None expected

MEDICAL CONDITIONS AGGRAVATED BY EXPOSURE: None expected

SECTION 4- FIRST AID MEASURES

EYE: Contact unlikely. If any particles get into eye, flush thoroughly with water.

SKIN: Wash skin thoroughly with soap and water.

INHALATION: Not applicable

INGESTION: Not applicable

SECTION 5 - FIRE FIGHTING MEASURES

FLASH POINT: Above 200°F (NFPA class 3B)

FIRE & EXPLOSION HAZARDS: These inks will burn. No unusual hazards are expected.

SECTION 6 - ACCIDENTAL RELEASE MEASURES

SPILL OR LEAK: Not applicable

SECTION 7 - HANDLING AND STORAGE

HANDLING: No special precautions

STORAGE: Avoid high temperatures

SECTION 8 - EXPOSURE CONTROL - PERSONAL PROTECTION

EXPOSURE GUIDELINES: None established

ENGINEERING CONTROLS/PERSONAL PROTECTION: No special protection indicated when used as intended.

SECTION 9 - PHYSICAL AND CHEMICAL PROPERTIES

APPEARANCE/ODOR: Waxy solid. Black, blue, red, or yellow in color. Odorless.

SOLUBILITY: Not water soluble

SECTION 10 - STABILITY AND REACTIVITY

STABILITY: Stable

INCOMPATIBILITY WITH OTHER MATERIALS: None

HAZARDOUS POLYMERIZATION: Will not occur

SECTION 11 - TOXICOLOGICAL INFORMATION

TOXICITY: Not toxic, as determined by standard laboratory tests for acute oral toxicity.

SKIN IRRITATION: Not a primary skin irritant, as determined by standard laboratory tests.

SKIN SENSITIZATION: Not a skin sensitizer, as determined by standard laboratory tests.

CARCINOGENICITY: No ingredients of this product are listed as carcinogens by OSHA, NTP, or IARC.

SECTION 12 - ECOLOGICAL INFORMATION

No known impact

SECTION 13 - DISPOSAL CONSIDERATIONS

This product is not a hazardous waste as specified in 40CFR261. TCLP below hazardous waste levels set by EPA. Manage and dispose of waste in accordance with all federal, state, and local regulations.

SECTION 14 - TRANSPORT INFORMATION

D.O.T.: Not regulated

NMFC: 101720 Sub. 3 - Ink, Printing, N.O.I., Class 55.

SECTION 15 - REGULATORY INFORMATION

TSCA: All components of this material are listed on the TSCA Inventory.

CALIFORNIA PROPOSITION 65: Not listed.

RCRA: TCLP below hazardous waste levels set by EPA

EPCRA/SARA: Not reportable

SECTION 16 - OTHER INFORMATION

Original preparation date: 9/12/96

Prepared by Corporate Environmental, Health, and Safety/ JMP.

Tektronix, Incorporated

PO Box 500

Mail Stop 46-840

Beaverton, Oregon 97077

MSDS information: 503-627-7255

Specifications

Temperature

Operating: 15° C to 32° C (59° F to 90° F)

Best Print Quality: 20° C to 25° C (68° F to 77° F)

Storage: -30° C to +60° C (-22° F to +140° F)

Humidity

Operating: 10% to 80% Relative Humidity, non-condensing

Best Print Quality: 30% to 70% Relative Humidity, non-condensing

Non-operating: 10% to 95% Relative Humidity, non-condensing

Altitude

Operating: 0 to 2500 m (8,000 ft.) at 25° C.

Non-operating: 0 to 55,000 m (18,000 ft.)

Primary voltage ranges

90 - 132 VAC, 110 VAC nominal

180 - 264 VAC, 220 VAC nominal

Frequency range

47 to 63 Hz

Primary fusing

110 VAC, 10 Amps

220 VAC, 5.0 Amps

(Not user-accessible)

Power Consumption

State	Average power
Continuous printing	800 W
Idle	220 W

Dimensions of standard unit

Height: 1038 mm (40.87 in.)

Depth: 670 mm (26.39 in.)

Width: 1700 mm (66.93 in.)

With ink loader: 1236 mm (48.66 in.)

With output bin: 737 mm (29 in.)

Safety and emissions standards

- **Listed:** UL 1950 Information Technology Equipment.
- **Certified:** CSA Standard C22.2 No. 950-M 89, Safety of Information Technology Equipment, Including Electrical Business Equipment.
- **TÜV licensed:** EN60950.
- Class B compliant computing device pursuant to sub-part J of Part 15 of FCC rules.
- Conforms to EC EN55022, EN61000-3-2, EN61000-3-3, EN50082-1; 1992.

Copyrights/Trademarks

Copyright © Tektronix, Inc. Unpublished rights reserved under the copyright laws of the United States.

Tektronix[®], Phaser[®], ColorStix[®], and Made For Each Other[®] are registered trademarks of Tektronix, Inc. TekColor[™], PhaserShare[™], PhaserTools[™], PhaserMatch[™], PhaserPrint[™], PhaserSym[™], and PhaserLink[™] are trademarks of Tektronix, Inc. TekColor CareSM is a service mark of Tektronix, Inc.

Adobe[®], PostScript[®], IntelliSelect[™], and Acrobat[®] are trademarks of Adobe Systems, Incorporated which may be registered in certain jurisdictions. Adobe Brilliant[™] Screens technology is a trademark of Adobe Systems, Incorporated or its subsidiaries and may be registered in certain jurisdictions.

Apple[®], LaserWriter[®], LocalTalk[®], Macintosh[®], and TrueType2[®] are registered trademarks of Apple Computer, Incorporated.

Times[™], Helvetica[™], and Palatino[™] are trademarks of Linotype-Hell AG and/or its subsidiaries.

ITC Avant Guard Gothic, ITC Bookman, ITC Zapf Chancery and ITC Zapf Dingbats are registered trademarks of International Typeface Corporation.

MS-DOS[®] and Windows[®] is a registered trademark of Microsoft Corporation.

Novell[®] and NetWare[®] is a registered trademark of Novell, Inc.

UNIX[®] is a registered trademark in the United States and other countries, licensed exclusively through X/Open Company Ltd.

SPARC[®] is a registered trademark of SPARC International, Incorporated.
SPARCstation[™] is a trademark of SPARC International, Incorporated, licensed exclusively to Sun Microsystems, Incorporated.

Sun[®], Sun Microsystems[®], and Sun Microsystems Computer Corporation[®] are registered trademarks of Sun Microsystems, Incorporated.

The printer contains an implementation of the LZW algorithm licensed under U.S. Patent 4,558,302.

Ethernet[®] is a registered trademark of Xerox Corporation.

FTP[®] Software is a registered trademark of FTP Software, Incorporated.

PANTONE® Colors generated by the Phaser 600 Color Printer are four- and/or three-color process simulations and may not match PANTONE-identified solid color standards. Use current PANTONE Color Reference Manuals for accurate colors.

PANTONE Color simulations are only obtainable on these products when driven by qualified Pantone-licensed software packages. Contact Pantone, Inc. for a current list of qualified licensees. © Pantone, Inc., 1988.

All trademarks noted herein are either the property of Tektronix, Inc., Pantone, Inc., or their respective companies.

Phaser® 600 Warranty

ONE YEAR ON-SITE WARRANTY IS STANDARD, WITH OPTIONAL PLANS FOR EXTENDED SERVICE.

Users safety summary

Terms in manual:

- CAUTION: Conditions that can result in damage to the product.
- WARNING: Conditions that can result in personal injury or loss of life.

Power source:

Do not apply more than 250 volts RMS between the supply conductors or between either supply conductor and ground. Use only the specified power cord and connector. Refer to a qualified service technician for changes to the cord or connector.

Operation of product:

Avoid electric shock by contacting a qualified service technician to replace fuses inside the product. Do not operate without the covers and panels properly installed. Do not operate in an atmosphere of explosive gases.

Safety instructions:

Read all installation instructions carefully before you plug the product into a power source.

Terms on product:

- CAUTION: A personal injury hazard exists that may not be apparent. For example, a panel may cover the hazardous area. Also applies to a hazard to property including the product itself.
- DANGER: A personal injury hazard exists in the area where you see the sign.

Care of product:

Disconnect the power plug by pulling the plug, not the cord. Disconnect the power plug if the power cord or plug is frayed or otherwise damaged, if you spill anything into the case, if product is exposed to any excess moisture, if product is dropped or damaged, if you suspect that the product needs servicing or repair, and whenever you clean the product.

Ground the product:

Plug the three-wire power cord (with grounding prong) into grounded AC outlets only. If necessary, contact a licensed electrician to install a properly grounded outlet.

Symbols as marked on product:

DANGER high voltage:



Use caution. Refer to the manual(s) for information:



Protective ground (earth) terminal:



Sharp object. Use caution.



Hot object. Use caution.



W A R N I N G



If the product loses the ground connection, usage of knobs and controls (and other conductive parts) can cause an electrical shock. Electrical product may be hazardous if misused.

INDEX

A B C D E F G H I J K L M N O P Q R S T U V W X Y Z

A

accessories
 ink loader [731](#)
 ordering [728](#), [729](#)
 output bin [731](#)
 Phaser Copystation [731](#)
accessories box, contents [12](#)
adapters, ordering [732](#)
ADDCTRLD.BAT, PC utility file [471](#)
additional memory [2](#), [738](#)
adjusting printed colors [197](#)
Adobe [54](#), [56](#), [74](#), [139](#)
 Illustrator, PANTONE color library
 file
 Macintosh [292](#), [293](#)
 PC [298](#)
 IntelliSelect [181](#)
 Photoshop plug-in
 Macintosh [71](#), [319](#)
 Windows [319](#)
 PostScript drivers
 Macintosh [124](#)
 Windows [83](#)
Advance Media
 changing default distance [464](#)
Advance Media [224](#)
Advance Media, Macintosh utility
 file [464](#)

ADVMEDIA.PS, PC utility file [464](#)
AIS.PS, PC utility file [526](#)
alcohol, isopropyl, cleaning with [538](#)
America Online [581](#)
Apple LaserWriter 8 driver
 setting up [76](#)
 using [140](#)
AppleTalk printer name [443](#)
applications
 color adjusting [217](#)
 printing from [149](#)
 QuickDraw GX [365](#)
automated fax systems [585](#)
automated information system
 (HAL) [148](#), [149](#)
automatic cutting [226](#)
automatic language selection [181](#)
automatic scaling, Copystation [246](#)

B

back tension blade, cleaning [546](#)
before powering up [33](#)
BIDIR.PS, PC utility file [508](#)
bi-directional status reporting, enabling
 and disabling [508](#)
Bulletin Board Service (BBS) [581](#)

C

cable ties, removing [20](#)
cables
 ordering [732](#)
 SCSI [486](#)
caring for your printer [535](#)
casters (wheels)
 about [16](#)
 locking [32](#)
CD-ROM [12](#)
change printer's name [443](#), [445](#)
Chooser
 printer doesn't appear [609](#)
 selecting a driver [600](#)
CIE colors [198](#)
clamp rollers, cleaning [552](#)
cleaning
 back tension blade [546](#)
 clamp rollers [552](#)
 drum [544](#)
 exit rollers [553](#), [561](#)
 front panel setting [547](#)
 fuser [553](#)
 isopropyl alcohol [538](#)
 kit contents [538](#)
 occasional cleaning [545](#)
 paper clamp [546](#)

- printhead [567](#)
- quick cleaning [539](#)
 - tool [548](#)
- clearing an ink jam [676](#)
- clearing media jams [672](#)
- CMYK Sampler, Macintosh utility file [256](#)
- CMYK.PS, PC utility file [256](#)
- color
 - adjusting or correcting [197](#)
 - guidelines for use [196](#)
 - how to use [195](#)
 - problems with [642](#)
 - special considerations [215](#)
 - working with [195](#)
- color charts
 - CMYK [255](#)
 - HSB [255](#)
 - important notes [262](#)
 - PANTONE [301](#)
 - printing
 - from a Macintosh [264](#)
 - from a PC [272](#)
 - RGB [255](#)
- Color Control Strip** [238](#)
- color corrections [219](#)
 - Commercial Press [205](#)
 - Euroscale Press [205](#)
 - from an application [217](#)
 - front panel selection [152](#)
 - host, Windows 95 [282](#)
 - Monochrome [211](#)
- no corrections [202](#)
 - selecting [155](#)
 - selecting the best [197](#)
- Simulate Display [204](#)
- SNAP Press [205](#)
- SWOP Press [205](#)
- use printer setting [212](#)
- Vivid Color [203](#)
 - with an unsupported driver [218](#)
 - with printer on a network [216](#)
- Color Printer Information Server [583](#)
 - email address [583](#)
 - information types available [583](#)
- ColorStix ink sticks [537](#)
 - ordering [729](#)
- ColorSync, using [277](#)
- commands, DOS
 - COPY command, using [441](#)
 - MODE command, using [396](#)
- Commercial Press color correction
 - description [205](#)
 - selecting from the front panel [152](#)
 - selecting in a Macintosh driver [125](#)
 - selecting in a Windows driver [83](#)
 - using a utility file [477](#)
- communication ports [110](#)
- CompuServe [581](#)
- CONFIG.PS, PC utility file [518](#)
- configuration descriptions [2](#)
- configuration page [596](#)
 - printing [699](#)
 - from a Macintosh [702](#)
 - from a PC [704](#)
 - from the front panel [700](#)
- configuring a serial port (PC) [473](#)
- connecting power [34](#)
- connecting printer ports [28](#)
- connections
 - network [31](#)
 - parallel cables [30](#)
 - power [32](#)
 - SCSI port [482](#)
- Control-D, PC utility files [471](#)
- copyright information [762](#)
- Copystation [13](#), [242](#)
 - automatic scaling [246](#)
 - custom scaling [246](#)
 - media size interactions [248](#)
 - SCSI ID [29](#)
- CoreIDRAW!, PANTONE color library file
 - PC [300](#)
- correcting printed colors [197](#)
- CTRLD.PS, PC utility file [471](#)
- Custom Install** option [47](#)
- custom page sizes [241](#)
- custom profiles [49](#), [70](#)
- custom scaling, Copystation [246](#)
- Cut Media, Macintosh utility files [478](#)
- CUTJOB.PS, PC utility file [478](#)
- CUTNEVER.PS, PC utility file [478](#)
- CUTNOW.PS, PC utility file [478](#)

cut-off images [615](#)
 CUTPAGE.PS, PC utility file [478](#)
 cutter blade
 ordering [730](#)
 replacing [558](#)
 cutting roll media [43](#)

D

declaration of conformity [748](#)
 desktop printers, QuickDraw GX
 printing from [141](#), [372](#)
 selecting unique features for [371](#)
 DEVPARAM.PS, PC utility file [473](#)
 diagnosing print quality [596](#)
 disable timeouts [396](#)
 diskettes
 drivers and utilities [10](#)
 mounting instructions [414](#)
 display colors, simulating [204](#)
 Macintosh [277](#)
 Windows 95 [282](#)
 DOS
 COPY command, using [441](#)
 MODE command, using [396](#)
 printing from [393](#)
 downloading files from servers
 Tektronix ftp server [430](#)
 World Wide Web [429](#)

downloading files to the printer
 DOS [441](#)
 LaserWriter Utility [434](#)
 Macintosh [434](#)
 PC [438](#)
 QuickDraw GX driver [381](#), [437](#)
 Windows 3.1 [439](#)
 Windows 95 [440](#)
 downloading fonts [185](#)
 drivers
 installing
 DOS [400](#)
 Macintosh [69](#)
 Windows [48](#)
 using
 DOS [400](#)
 Macintosh [139](#)
 QuickDraw GX [371](#)
 Windows 3.1 [115](#)
 Windows 95 [101](#), [105](#)
 Windows NT 4.0 [119](#)
 drum, cleaning [544](#)

E

Easy Install option [47](#)
 EasyCopy/X, workstation
 software [144](#), [147](#), [407](#)
 empty the waste bin [569](#)
 enabling and disabling the startup
 page [713](#)
Enhanced print quality mode [154](#)

Enhanced Quality, Macintosh utility
 files [477](#)
 ENHANCED.PS, PC utility file [477](#)
 entrance jam [670](#)
 error
 codes and messages [592](#)
 handlers, PostScript [635](#)
 indicator, front panel [35](#)
 PostScript [630](#)
 Ethernet
 ordering [735](#)
 PhaserShare card and
 protocols [31](#)
 problems [609](#)
 EtherTalk printer name [445](#)
 EuroHAL, automated fax
 system [582](#), [588](#)
 Euroscale Press color correction
 description [205](#)
 selecting from the front panel [152](#)
 selecting in a Macintosh driver [125](#)
 selecting in a Windows driver [83](#)
 using a utility file [477](#)
 exit cover, opening [543](#), [556](#)
 exit jam [670](#)
 exit rollers, cleaning [553](#), [561](#)
 Extended Features
 fonts [184](#)
 option [2](#)
 upgrade, ordering [736](#)
 external hard disk, SCSI ID [29](#)
 extracting files from *unix.tar* [421](#)

- F**
- Fast Preview [234](#), [343](#)
 - fastest printing available [623](#)
 - fax systems, information [585](#)
 - feed rollers, cleaning [540](#)
 - feeding roll paper [43](#)
 - foam oiler wheel
 - ordering [730](#)
 - replacing [557](#)
 - font sampler
 - printing from a Macintosh [190](#)
 - printing from a PC [192](#)
 - Font Sampler*, Macintosh utility file [190](#)
 - fonts
 - adding a hard disk [482](#)
 - Adobe Type 1, Type 3 [183](#)
 - downloading [185](#)
 - Extended Features [184](#)
 - Macintosh screen fonts [187](#)
 - resident typefaces [6](#)
 - standard configuration [183](#)
 - TrueType [6](#), [186](#)
 - FONT.S.PS*, PC utility file [192](#)
 - Format Printer Disk, Macintosh utility file [495](#)
 - format SCSI hard disk
 - from a Macintosh [495](#)
 - from a PC [496](#)
 - FreeHand, PANTONE color library file
 - Macintosh [294](#)
 - FRMTDISK.PS, PC utility file [496](#)
 - front panel [670](#), [683](#)
 - buttons [686](#)
 - cleaning [547](#)
 - diagnosing problems [599](#)
 - display [689](#)
 - Help Pages [597](#)
 - indicators [683](#), [685](#)
 - menu map [691](#)
 - printing [696](#)
 - menus [720](#)
 - messages [599](#)
 - messages and error codes [592](#)
 - selecting a language [37](#)
 - timeout [599](#)
 - ftp server [581](#)
 - downloading files from [430](#)
 - FUSECOLD.PS, PC utility file [478](#)
 - FUSEHOT.PS, PC utility file [478](#)
 - FUSENONE.PS, PC utility file [478](#)
 - fuser jam [670](#)
 - fuser kit
 - contents [553](#)
 - ordering [730](#)
 - removing components [557](#)
 - fuser shuttle, cleaning [553](#), [559](#)
 - Fusing Mode** [222](#)
 - Fusing, Macintosh utility files [478](#)
- G**
- getting the best results [644](#)
 - gray scale, printing in [211](#)
- H**
- HAL, automated fax
 - system [148](#), [149](#), [586](#)
 - halftone screens [646](#)
 - handling media [658](#)
 - hard disk, SCSI [482](#)
 - connecting multiple disks [491](#)
 - formatting [493](#)
 - from a Macintosh [495](#)
 - from a PC [496](#)
 - ID numbers [29](#)
 - initializing [497](#)
 - from a Macintosh [498](#)
 - from a PC [499](#)
 - selecting [483](#)
 - Help Pages
 - menu map [691](#)
 - printing [695](#)
 - startup page [36](#)
 - types available [695](#)
 - host color correction, Windows 95 [282](#)
 - hotline, technical support [581](#)
 - HP-GL [181](#)
 - language [522](#)
 - pen colors [530](#)
 - HPGL.PS, PC utility file [525](#)
 - HPGLPENS.PS, PC utility file [530](#)
 - HPGLTEST.PLT, PC utility file [528](#)
 - HSB Sampler, Macintosh utility file [256](#)
 - HSB.PS, PC utility file [256](#)

I

image area
 cut-sheets [159](#)
 media rolls [160](#)
 image manipulation [179](#)
Image Smoothing [232](#)
 Image Smoothing Off, Macintosh utility files [478](#)
 Image Smoothing On, Macintosh utility files [478](#)
 improving print speed [620](#)
 indicators
 at power-up [35](#)
 error [35](#)
 power [35](#), [598](#), [601](#), [685](#)
 information access, PhaserLink [5](#)
 INITDISK.PS, PC utility file [499](#)
 Initialize Printer Disk, Macintosh utility file [498](#)
 initializing a SCSI hard disk
 from a Macintosh [498](#)
 from a PC [499](#)
 initializing, printer mode [35](#)
 ink
 ink sticks, loading [24](#)
 jam, clearing [676](#)
 loader
 attaching [23](#)
 removing [678](#)
 MSDS [753](#)
 ordering [729](#)
 inserting the paper roll holder [42](#)

installation
 inventory [11](#)
 screen fonts [187](#)
 software [46](#)
 tasks [10](#)
 unpacking [11](#)
 interactive mode, front panel [687](#)
 interface ports [28](#)
 internal jam [670](#)
 Internet [583](#)
 inventory [11](#)
 isopropyl alcohol, cleaning with [538](#)

J

job pipelining [460](#)
 job timeout [517](#)

L

laminating [251](#)
 landscape orientation [173](#)
 language modes
 checking [608](#)
 default [181](#)
 HP-GL [522](#)
 PostScript [522](#)
 printer [514](#)
 language, front panel selection [37](#)
 LaserWriter Utility, using [434](#)
 legal information [762](#)
 leveling legs, adjusting [32](#)

loading
 cut-sheet media [176](#)
 ink [24](#)
 roll media [39](#), [658](#)
 LocalTalk
 printer name [443](#), [445](#)
 problems [609](#)
 LPT port
 setting up [396](#)

M

Macintosh printer drivers,
 selecting [124](#)
 Macintosh screen fonts [187](#)
 Macintosh utility files [434](#)
 Advance Media [464](#)
 CMYK Sampler [256](#)
 Configuration Page [702](#)
 Cut Media [478](#)
 Enhanced Quality [477](#)
 Font Sampler [190](#)
 Format Printer Disk [495](#)
 Fusing [478](#)
 HSB Sampler [256](#)
 Image Smoothing Off [478](#)
 Image Smoothing On [478](#)
 Initialize Printer Disk [498](#)
 installing [427](#)
 Menu Long [722](#)
 Menu Short [722](#)
 Mirror Print Off [478](#)

Mirror Print On [478](#)
 No Sys/Start Job [501](#)
 Page Offset XY [468](#)
 Page Rotation [478](#)
 Pipelining Off [460](#)
 Pipelining On [460](#)
 Print Start Page [709](#)
 Raw CMYK Colors [213](#)
 Raw RGB Colors [213](#)
 Rendering Intents [458](#)
 Reset Printer [447](#)
 RGB Sampler [256](#)
 Set Sys/Start Job [501](#)
 Setscreen Off [647](#)
 Setscreen On [647](#)
 Standard Quality [477](#)
 Tek Error Handler [635](#)
 maintaining print quality [537](#), [596](#)
Manual Feed [176](#)
 manuals, ordering [731](#)
 margins
 cut-sheets [159](#)
 media rolls [160](#)
 Material Safety Data Sheets
 (MSDS) [752](#)
 media
 all about [157](#)
 clearing jams [611](#), [612](#), [670](#)
 handling [658](#)
 hints and tips [658](#)

jams
 clearing [599](#)
 moving the fuser [674](#)
 moving the printhead [673](#)
 loading
 cut-sheet media [176](#)
 paper [39](#)
 roll media [39](#), [658](#)
 roll, removing [542](#)
 skewing [613](#)
 stiffness [172](#)
 thickness [171](#)
 types [2](#)
Media Cutting [226](#)
Media Fusing [222](#)
 memory
 advantages of upgrading [738](#)
 order numbers [738](#)
 Menu Long, Macintosh utility file [722](#)
 menu map [691](#)
 printing [696](#)
 Menu Short, Macintosh utility file [722](#)
 MENULONG.PS, PC utility file [724](#)
 MENUHRT.PS, PC utility file [724](#)
 Microsoft PostScript driver
 setting up [54](#)
 MIROROFF.PS, PC utility file [478](#)
Mirror Print [228](#)
 Mirror Print Off, Macintosh utility
 files [478](#)
 Mirror Print On, Macintosh utility
 files [478](#)
 MIRRORON.PS, PC utility file [478](#)

MODE command, using [396](#)
 Monochrome color correction
 description [211](#)
 selecting from the front panel [152](#)
 selecting in a Macintosh driver [125](#)
 selecting in a Windows driver [83](#)
 using a utility file [477](#)
 mounting PC diskette [414](#)
 moving the printer [16](#), [575](#)
 MSDS, ink [753](#)

N

network
 connections [31](#)
 order numbers [740](#)
 rear panel ports [31](#)
 printing [655](#)
 utilities software [421](#)
 No Color Correction color correction
 description [202](#)
 selecting from the front panel [152](#)
 selecting in a Macintosh driver [125](#)
 selecting in a Windows driver [83](#)
 using a utility file [477](#)
 No Sys/Start Job, Macintosh utility
 file [501](#)
 NOSTRTPG.PS, PC utility file [718](#)
 NOSYSTRT.PS, PC utility file [503](#)

O

occasional cleaning [545](#)
 off-set dots [616](#)
 OFFSETXY.PS, PC utility file [470](#)
 online services [581](#)
 operating location
 requirements [16](#)
 space needed [16](#)
 operating mode, front panel [686](#)
 options, Extended Features [2](#)
 ordering
 cables and adapters [732](#)
 part numbers and descriptions [732](#)
 supplies [729](#)
 orientation
 landscape [173](#)
 paper [173](#)
 portrait [173](#)
 output bin, attaching [26](#)
 overview of software installation [47](#)

P

packing materials [17](#)
 repacking [579](#)
Page Centering [229](#)
 Page Offset XY, Macintosh utility file [468](#)
Page Rotation [174](#), [230](#)
 Page Rotation, Macintosh utility files [478](#)

page sizes, custom [241](#)
 PageMaker
 PageMaker 5.0, PANTONE color library file
 Macintosh [295](#)
 PC [299](#)
 PageMaker 6.0, PANTONE color library file
 Macintosh [296](#)
 PANTONE
 color charts
 printing from a Macintosh [301](#)
 printing from a PC [301](#)
 Colors, printing [644](#)
 printer files
 installing
 Macintosh [288](#)
 PC [289](#)
 using
 Macintosh [286](#)
 PC [286](#)
 paper
 handling [658](#)
 loading [39](#)
 ordering [729](#)
 paper clamp, cleaning [546](#)
 paper guides, cleaning [540](#)
 paper roll holder [40](#)
 paper roll, loading [41](#)
 parallel
 cables [30](#)

cables, ordering [732](#)
 port, connecting [30](#)
 port, default language [181](#)
 parallel port
 computer, see *LPT port*
 disabling timeouts [507](#)
 MODE command [507](#)
 pinout [510](#)
 Pause menu, front panel [236](#), [687](#), [693](#)
 PC DOS, printing from [393](#)
 PC utility files
 ADDCTRLD.BAT [471](#)
 ADVMEDIA.PS [464](#)
 AIS.PS [526](#)
 BIDIR.PS [508](#)
 CMYK.PS [256](#)
 CONFIG.PS [518](#)
 CTRLD.PS [471](#)
 CUTJOB.PS [478](#)
 CUTNEVER.PS [478](#)
 CUTNOW.PS [478](#)
 CUTPAGE.PS [478](#)
 DEVPARAM.PS [473](#)
 ENHANCED.PS [477](#)
 FONTS.PS [192](#)
 FRMTDISK.PS [496](#)
 FUSECOLD.PS [478](#)
 FUSEHOT.PS [478](#)
 FUSENONE.PS [478](#)
 HPGL.PS [525](#)
 HPGLPENS.PS [530](#)

A B C D E F G H I J K L M N O P Q R S T U V W X Y Z

HPGLTEST.PLT [528](#)
HSB.PS [256](#)
INITDISK.PS [499](#)
installing [428](#)
MENULONG.PS [724](#)
MENUSHRT.PS [724](#)
MIRROFF.PS [478](#)
MIRRORON.PS [478](#)
NOSTRTPG.PS [718](#)
NOSYSTRT.PS [503](#)
OFFSETXY.PS [470](#)
PIPE_OFF.PS [460](#)
PIPE_ON.PS [460](#)
PRNTCNFG.PS [704](#)
PRNTSTPG.PS [711](#)
PSCRIPT.PS [524](#)
PSTEST.PS [529](#)
RAWCMYK.PS [213](#)
RAWRGB.PS [213](#)
RENDABS.PS [458](#)
RENDPER.PS [458](#)
RENDREL.PS [458](#)
RENDSAT.PS [458](#)
RESET.PS [447](#)
RGB.PS [256](#)
ROTAT180.PS [478](#)
ROTAT270.PS [478](#)
ROTATE90.PS [478](#)
ROTATENO.PS [478](#)
SCREENON.PS [649](#)
SCRENOFF.PS [649](#)
SMOOTHON.PS [478](#)

SMOTHOFF.PS [478](#)
STANDARD.PS [477](#)
SYSTART.PS [503](#)
TEKEHAND.PS [635](#)
UNIDIR.PS [508](#)
PC/NFS [605](#)
PC/Windows software [48](#)
Pen colors, HP-GL [530](#)
peripheral devices [29](#)
 turning on the power [34](#)
Phaser 600 driver
 setting up [73](#)
 using [138](#)
Phaser 600 GX driver
 setting up [75](#)
 using [141](#)
Phaser 600 Quick Reference
 Guide [596](#), [731](#)
Phaser Copystation [13](#)
 order number [741](#)
 using with a Phaser 600 [242](#)
PhaserLink software [5](#), [151](#)
PhaserMatch, installing
 Macintosh [70](#)
 Windows [49](#)
PhaserPrint for UNIX [742](#)
 for workstations [144](#), [629](#)
 order number [742](#)
 software for workstations [405](#)

PhaserPrint Photoshop plug-in [71](#), [319](#)
 installing for Macintosh [322](#)
 installing for Windows [323](#)
 selecting options [328](#)
 starting the plug-in [326](#)
PhaserShare cards [31](#)
 advantages of networking [740](#)
 configuring [31](#)
 manuals [731](#)
 order numbers [740](#)
PhaserSym
 capabilities [743](#)
 order number [743](#)
 software for workstations [144](#), [407](#)
Photoshop
 Macintosh plug-in [319](#)
 Windows plug-in [319](#)
PIPE_OFF.PS, PC utility file [460](#)
PIPE_ON.PS, PC utility file [460](#)
Pipelining Off, Macintosh utility file [460](#)
Pipelining On, Macintosh utility file [460](#)
pipelining, print jobs [460](#)
Plug-in, Adobe Photoshop, using [319](#)
portrait orientation [173](#)
ports
 computer [396](#)
 setting up PC ports for DOS [395](#)
ports, printer
 parallel [30](#)
 PhaserShare [31](#)
 speed [621](#)
ports, see communication ports

PostScript

- drivers, selecting [46](#)
- error handlers [632](#), [635](#)
- errors, general [630](#)
- language [522](#)
- PostScript Header
 - Windows 3.1 driver [116](#)
 - Windows 95 driver [103](#), [107](#)
- printing errors [630](#)
- timeout [518](#)
- power indicator [35](#), [598](#), [601](#)
- power, connecting [34](#)
- power-up [35](#)
- print area
 - cut-sheet [159](#)
 - media rolls [160](#)
- print features
 - selecting color corrections [150](#)
 - selecting print quality modes [150](#)
- print job pipelining [460](#)
- Print Preview** [4](#), [235](#)
- print quality [537](#)
 - Enhanced** [154](#)
 - maintaining [596](#)
 - selecting print quality modes [150](#)
 - Standard** [154](#)
- print quantity, Copystation [245](#)
- print speed
 - improving [620](#), [624](#)
 - selecting print quality modes [154](#)

printer

- features
 - selecting from a Macintosh driver [125](#)
 - selecting from a utility file [477](#)
 - selecting from a Windows driver [83](#)
 - selecting from the front panel [152](#)
- front panel
 - menus [720](#)
- languages
 - HP-GL [514](#)
 - PCL5 [514](#)
 - PostScript [514](#)
- profile for ColorSync [277](#)
- renaming [443](#), [445](#)
- resetting [447](#)
- startup page
 - enable or disable [713](#)
 - printing [706](#)
- status reporting
 - bi-directional interface [508](#)
- printer configuration information [654](#)
- printer control
 - PhaserLink [5](#)
 - selecting features [151](#)
- printer drivers
 - installing
 - DOS [400](#)
 - Macintosh [69](#)
 - Windows [48](#)

using

- DOS [400](#)
- Windows 3.1 [115](#)
- Windows 95 [101](#), [105](#)
- Windows NT 3.5 and 3.51 [118](#)
- Windows NT 4.0 [119](#)
- printer drivers, using
 - Macintosh [139](#)
- printer information, front panel [690](#)
- printer languages [187](#)
 - default [181](#)
- printer ports, connecting [28](#)
- printer service [581](#)
- printer software on CD-ROM [51](#)
- printer supplies [729](#)
- PRINTER.INF*, updating Windows NT driver [118](#)
- printhead cleaning [567](#)
- printing
 - configuration page [699](#)
 - features [4](#), [179](#)
 - features, special [221](#)
 - from a Macintosh [124](#)
 - from a PC [82](#)
 - from applications [149](#)
 - languages [181](#)
 - menu map [696](#)
 - on a network [655](#)
 - PANTONE Colors [644](#)
 - problems [606](#)
 - startup page [706](#)
 - time [623](#)
 - timeout [610](#)

printing press color corrections [205](#)
 PRNTCNFG.PS, PC utility file [704](#)
 PRNTSTPG.PS, PC utility file [711](#)
 problems and solutions [596](#)
 Product Support Hotline [581](#)
 PS Error Handler [596](#)
 PSCRIPT.PS, PC utility file [524](#)
 PSTEST.PS, PC utility file [529](#)

Q

Quick Reference Guide
 attaching [27](#)
 ordering [731](#)
 QuickDraw GX driver
 downloading PostScript
 files [381](#), [437](#)
 printing from [141](#), [364](#)
 Tektronix printer driver [365](#)
Quick-Start Instructions [10](#), [15](#)

R

Raw CMYK Colors, Macintosh utility
 file [213](#)
 Raw RGB Colors, Macintosh utility
 file [213](#)
 RAWCMYK.PS, PC utility file [213](#)
 RAWRGB.PS, PC utility file [213](#)
 registering your printer [14](#)
 removing cable ties [17](#)
 rename printer [443](#), [445](#)
 RENDABS.PS, PC utility file [458](#)

Rendering Intents, Macintosh utility
 files [458](#)
 RENDPER.PS, PC utility file [458](#)
 RENDREL.PS, PC utility file [458](#)
 RENDSAT.PS, PC utility file [458](#)
 repacking the printer [575](#), [578](#), [579](#)
Reprint [4](#), [240](#)
 RESET.PS, PC utility file [447](#)
 resetting the printer
 from a Macintosh [447](#)
 from a PC [450](#)
 resident typefaces [183](#)
 RGB Sampler, Macintosh utility file [256](#)
 RGB.PS, PC utility file [256](#)
 RIP (Raster Image Processor) [3](#)
 ROTAT180.PS, PC utility file [478](#)
 ROTAT270.PS, PC utility file [478](#)
 ROTATE90.PS, PC utility file [478](#)
 ROTATENO.PS, PC utility file [478](#)

S

Scale to Fit in Pause menu [236](#)
 screen fonts, installing [187](#)
 SCREENON.PS, PC utility file [649](#)
 SCRENOFF.PS, PC utility file [649](#)
 SCSI hard disk [482](#)
 connecting multiple disks [491](#)
 connecting single disk [490](#)
 devices [29](#)

formatting [493](#)
 from a Macintosh [495](#)
 from a PC [496](#)
 ID numbers [29](#)
 initializing [497](#)
 from a Macintosh [498](#)
 from a PC [499](#)
 selecting [483](#)
 SCSI port
 connecting external font disk [482](#)
 connecting Phaser
 Copystation [482](#)
 selecting a Macintosh driver to
 install [70](#)
 selecting a print-quality mode [154](#)
 selecting a Windows driver to install [49](#)
 selecting page sizes in Windows
 applications [650](#)
 self-tests [35](#)
 serial port
 configuring (PC) [473](#)
 parameter values [476](#)
 server, ftp, Tektronix
 downloading files from [430](#)
 service [581](#)
 Setscreen Off, Macintosh utility file [647](#)
 Setscreen On, Macintosh utility file [647](#)
 setting up drivers
 Apple LaserWriter 8.x [76](#)
 Macintosh Adobe PSpriener [74](#)
 Macintosh Phaser 600 driver [73](#)
 QuickDraw GX [75](#)

A B C D E F G H I J K L M N O P Q R S T U V W X Y Z

Windows 3.1 [56](#)
Windows 95 [54](#)
Windows NT 3.5 and 3.51 [58](#)
Windows NT 4.0 [63](#)
setting up the printer [11](#)
shipping blocks, removing [21](#)
shuttle [553](#)
signals, parallel port [510](#)
simple color conversions, CMYK and
 RGB [213](#)
Simulate Display color correction
 description [204](#)
 selecting from the front panel [152](#)
 selecting in a Macintosh driver [125](#)
 selecting in a Windows driver [83](#)
 using a utility file [477](#)
SMOOTHON.PS, PC utility file [478](#)
SMOTHOFF.PS, PC utility file [478](#)
SNAP Press color correction [205](#)
 description [205](#)
 selecting from the front panel [152](#)
 selecting in a Macintosh driver [125](#)
 selecting in a Windows driver [83](#)
 using a utility file [477](#)
software
 CD-ROM [10](#), [51](#)
 diskettes [51](#)
 installation [46](#)
 network utilities [421](#)
solid-ink [2](#)
solutions, problem solving [596](#)
special printing features [221](#)

specifications [759](#)
standard configuration [2](#)
 fonts [183](#)
Standard print quality mode [154](#)
Standard Quality, Macintosh utility
 files [477](#)
STANDARD.PS, PC utility file [477](#)
starter paper roll [39](#)
startup page [36](#), [669](#)
 enable or disable [713](#)
 from a Macintosh [717](#)
 from a PC [718](#)
 from the front panel [714](#)
 printing [706](#)
 from a Macintosh [709](#)
 from a PC [711](#)
 from the front panel [707](#)
 prints when disabled [669](#)
 reports error message [669](#)
status reporting
 bi-directional interface [508](#)
streaks or spots on prints [616](#)
supplies and accessories [618](#), [726](#)
 Made For Each Other® [727](#)
 ordering [729](#)
surge protector [33](#)
SWOP Press color correction
 description [205](#)
 selecting from the front panel [152](#)
Selecting in a Macintosh
 driver [125](#)

Selecting in a Windows driver [83](#)
 using a utility file [477](#)
symptoms and solutions [596](#)
 Phaser 600 Quick Reference
 Guide [596](#)
Sys/Start Job, enable or disable [500](#)
 from a Macintosh [501](#)
 from a PC [503](#)
SYSTART.PS, PC utility file [503](#)
T
technical support [581](#)
Tek Error Handler, using
 from a Macintosh [635](#)
 from a PC [635](#)
TekColor
 corrections [197](#)
 options [155](#)
TEKEHAND.PS, PC utility file [635](#)
Tektronix
 Color Printer Information
 Server [430](#)
 ftp server
 downloading files from [430](#)
Tektronix Bulletin Board Service
 (BBS) [78](#), [581](#)
Tektronix driver for Windows 3.1
 setting up [56](#)
 using [109](#)
test print [597](#)
thumbnail image in **Print Preview** [235](#)

timeouts [610](#)
 disable [396](#)
 job [517](#)
 parallel port [507](#)
 wait [517](#)
 Windows 95 driver [101](#), [105](#), [116](#)
 Windows printer driver [111](#)

Token Ring
 PhaserShare card and protocols [31](#)

trademark information [762](#)

transit restraint, removing [18](#)

Transmission Retry
 Windows 3.1 [111](#), [116](#)
 Windows 95 [101](#), [105](#)

transport rollers, cleaning [542](#)

troubleshooting [585](#), [615](#)
 black and white prints instead of color [617](#)
 clearing media jams [670](#)
 cut off images [615](#)
 media jams [599](#), [611](#), [612](#)
 media skewing [613](#)
 media wrinkling [614](#)
 off-set dots [616](#)
 power light blinks, but file doesn't print [601](#)
 print job does not finish [610](#)
 printer doesn't appear in the **Chooser** [609](#)
 startup page prints when disabled [669](#)
 streaks or spots [616](#)

TrueType fonts [6](#), [183](#), [186](#)
 turning on the printer [32](#), [33](#), [34](#)
 type of media [170](#)

U

UNIDIR.PS, PC utility file [508](#)

UNIX workstations [145](#)
 installing printer software [78](#)

unpacking [10](#), [11](#), [15](#)

upgrade kits [735](#)
 Ethernet [735](#)
 LocalTalk support [735](#)
 serial support [735](#)

Use Printer Setting color correction description [212](#)

used ink [569](#)

using color [195](#), [200](#)

using EuroHAL [582](#)

using Macintosh drivers
 Adobe PSpriater [139](#)
 Apple LaserWriter 8.x [140](#)
 Phaser 600 driver [138](#)
 QuickDraw GX [141](#)

using Windows 3.1 drivers
 Adobe PostScript [115](#)
 Tektronix driver [109](#)

using Windows 95 drivers
 AdobePS 4 [105](#)
 MS PostScript [101](#)

using Windows NT drivers
 Windows NT 3.5 and 3.51 [118](#)
 Windows NT 4.0 [119](#)

utilities diskettes [10](#)

utility files
 Macintosh
 installing [427](#)
 using [434](#)

PC
 installing [428](#)
 using [438](#)

workstation
 downloading [78](#)

V

Vivid Color color correction
 selecting from the front panel [152](#)
 selecting in a Macintosh driver [125](#)
 selecting in a Windows driver [83](#)
 using a utility file [477](#)

VMS workstations [147](#)

W

- wait timeout [517](#)
- warm-up, printer mode [35](#)
- waste bin [569](#)
- wheels (casters)
 - about [16](#)
 - locking [32](#)
- wide-format printing [2](#)
- WIN.INI file, editing [189](#)
- Windows 3.1 driver
 - configuring [109](#)
 - Features** tab [115](#)
 - fonts [189](#)
 - Job Control** tab [116](#)
 - Paper** tab [115](#)
 - PostScript Header [116](#)
 - PostScript** tab [116](#)
 - problems with printer fonts [653](#)
 - problems with setting page sizes [650](#)
 - timeouts [111](#), [639](#)
 - using [115](#)
 - using fonts [189](#)
- Windows 3.1 software
 - installing [51](#)
 - setting up [56](#)

- Windows 95 driver
 - Details** tab [101](#), [105](#)
 - Device Options** tab [103](#), [106](#)
 - Graphics** tab [102](#), [106](#)
 - Paper** tab [102](#), [106](#)
 - PostScript Header [103](#), [107](#)
 - PostScript** tab [103](#), [107](#)
 - problems with printer fonts [653](#)
 - timeouts [101](#), [105](#), [116](#), [639](#)
 - using [101](#), [105](#), [115](#)
- Windows 95 software
 - installing [51](#)
 - setting up [54](#)
- Windows NT 3.5 and 3.51
 - driver, using [118](#)
 - setting up a driver [58](#)
- Windows NT 4.0
 - driver, using [119](#)
 - setting up a driver [63](#)
 - setting up on a network [65](#)
- workstation software
 - EasyCopy/X [147](#), [407](#)
 - installing [78](#)
 - PhaserPrint for
 - UNIX [146](#), [406](#), [742](#)
 - PhaserSym [407](#)
- World Wide Web [581](#)
 - downloading files from [429](#)

Free Manuals Download Website

<http://myh66.com>

<http://usermanuals.us>

<http://www.somanuals.com>

<http://www.4manuals.cc>

<http://www.manual-lib.com>

<http://www.404manual.com>

<http://www.luxmanual.com>

<http://aubethermostatmanual.com>

Golf course search by state

<http://golfingnear.com>

Email search by domain

<http://emailbydomain.com>

Auto manuals search

<http://auto.somanuals.com>

TV manuals search

<http://tv.somanuals.com>