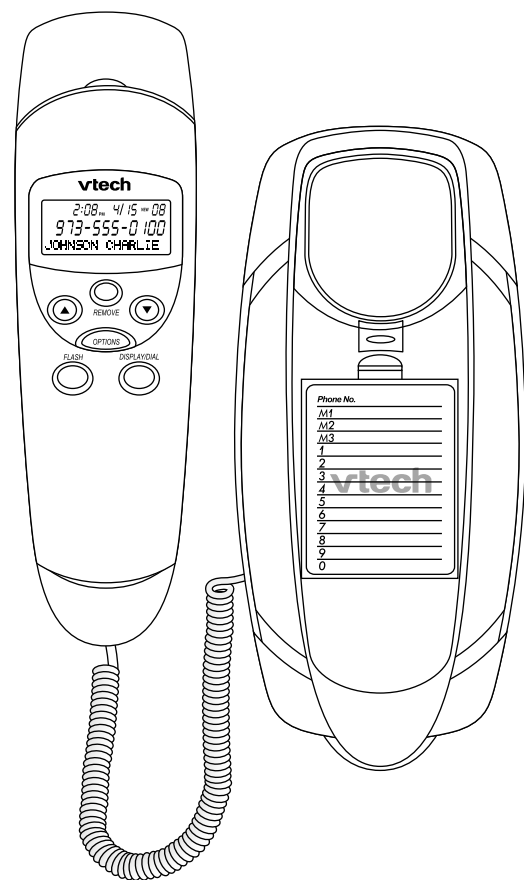


USER'S MANUAL



vtech
VTECH TELECOMMUNICATIONS LTD
Printed in China Issue VT2 02/03

IMPORTANT SAFETY INSTRUCTIONS

When using your phone equipment, basic precautions should always be followed to reduce the risk of fire, electric shock and injury to persons, including the following.

- Read and understand all instructions.
- Follow all warnings and instructions marked on the product.
- Unplug this product from the wall outlet before cleaning. Do not use liquid cleaners or aerosol cleaners. Use a damp cloth for cleaning.
- Do not use this product near water (for example, near a bath tub, kitchen sink, or swimming pool).
- Do not place this product on unstable stand or table. The product may fall, causing damage to the product.
- Slots and openings in the cabinet and the back or bottom are provided for ventilation. To protect it from overheating, these openings must not be blocked by placing the product on a sofa, rug, or other similar surface. This product should never be placed near or over a radiator or heat register. This product should not be placed in a built-in installation where proper ventilation is not provided.
- This product should be operated only from the type of power source indicated on the marking label. If you are not sure of the type of power supply, consult your dealer or local power company.
- Do not allow anything to rest on the power cord. Do not locate this product where the cord will be abused by persons walking on it.
- Never push objects of any kind into this product through cabinet slots as they may touch dangerous voltage points or short out parts that could result in a risk of fire or electric shock. Never spill liquid of any kind on the product.
- To reduce the risk of electric shock, do not disassemble this product, but take it to a Vtech authorized service facility. Opening or removing cabinet parts other than specified access doors may expose you to dangerous voltages or other risks. Incorrect reassembling can cause electric shock when the appliance is subsequently used.
- Do not overload wall outlets and extension cords as this can result in the risk of the fire or electric shock.
- Unplug this product from the wall outlet and refer servicing to a Vtech authorized service facility under the following conditions:
 - When the power supply cord or plug is damaged or frayed.
 - If liquid has been spilled into the product.
 - If the product has been exposed to rain or water.
 - If the product does not operate normally by following the operating instructions. Adjust only those controls that are covered by the operating instructions, because improper adjustment of other controls may result in damage and will often require extensive work by a Vtech authorized technician to restore the product to normal operation.
 - If the product has been dropped and the cabinet has been damaged.
 - If the product exhibits a distinct change in performance.
- Avoid using a telephone (other than a cordless type) during an electrical storm. There may be a remote risk of electric shock from lightning.
- Do not use the telephone to report a gas leak in the vicinity of the leak.

VTECH TELECOMMUNICATIONS LTD.

SERVICE DEPT. in the US
At 1-800-595-9511.
In Canada, call Vtech Electronics Ltd.
At 1-800-267-7377.

SAVE THESE INSTRUCTIONS

CAUTION

TO REDUCE THE RISK OF INJURY TO PERSONS, READ AND FOLLOW THESE INSTRUCTIONS.

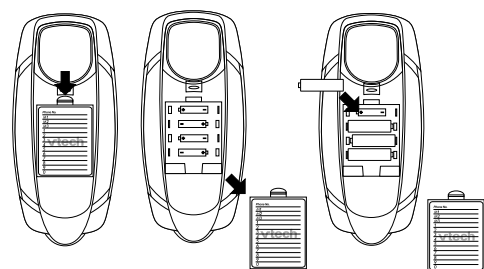
- Use only the type and size batteries designed for this product. Do not dispose of the batteries in a fire. The cell may explode. Check with local codes for possible special disposal instructions.
- Do not open or mutilate the batteries. Released electrolyte is corrosive and may cause damage to the eyes or skin. It may be toxic if swallowed.
- Exercise care in handling batteries in order not to short the battery with conducting materials such as rings, bracelets and keys. The battery or conductor may overheat and cause burns.
- Do not attempt to recharge the batteries provided with or identified for use with this product. The batteries may leak corrosive electrolyte or explode.
- Do not attempt to recharge the batteries provided with or identified for use with this product by heating them. Sudden release of the battery electrolyte may occur causing burns or irritation to eyes or skin.
- When replacing batteries, all batteries should be replaced at the same time. Mixing fresh and discharged batteries could increase cell pressure and rupture the discharged batteries. (Applies to products employing more than one separately replaceable primary battery.)
- When inserting batteries into this product, the proper polarity or direction must be observed. Reverse insertion or batteries can cause charging, and that may result in leakage or explosion. (Applies to product employing more than one separately replaceable primary battery.)
- Remove the batteries from this product if the product will not be used for along period of time (several months or more) since during this time the battery could leak in the product. Discard "dead" batteries as soon as possible, since "dead" batteries are more likely to leak in a product.

Do not store this product, or the batteries provided with or identified for use with this product, in high-temperature areas. Batteries that are stored in a freezer or refrigerator for the purpose of extending shelf life should be protected from condensation during storage and defrosting. Batteries should be stabilized at room temperature prior to use after cold storage.

INSTALLATION

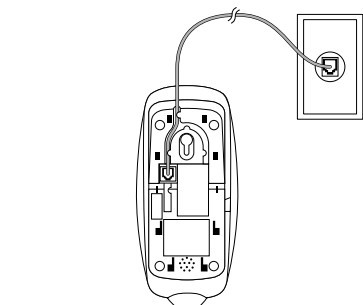
Installing the Batteries

- Insert a flat blade screwdriver into the battery door lock and open the battery cover located on top of the base. Please note this construction is for compliance with safety regulations. Install the batteries according to the diagram.



IMPORTANT: Be sure that the batteries are installed correctly. Wrong polarity may damage the unit.

- For better performance and longer operating time, we recommend the use of alkaline batteries.
 - Do not mix old and new batteries.
 - Do not mix alkaline, standard (carbon-zinc) or rechargeable (nickel-cadmium) batteries.
- If the unit is not to be used for an extended period of time, remove all the batteries.

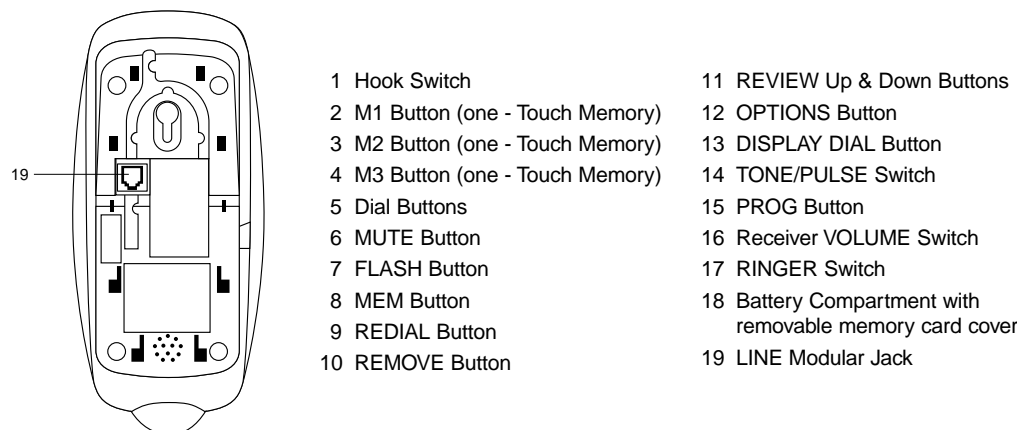
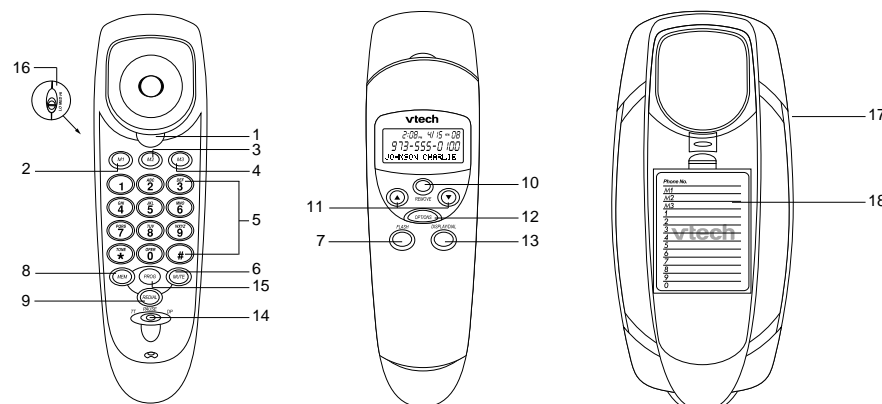


Desktop

- Unwrap the long telephone line cord.
- Insert one plug into the LINE modular jack on the bottom of the base.

FEATURES

- 70 name-and-number Caller ID
- 3-language Operation
- Display number dialing capability
- 3 One-Touch Memory Locations
- 10 Two-touch Memory Locations
- Mute
- Redial
- Flash
- Handset Hi-Med-Low Switch
- Ringer Hi-Low-OFF Switch
- Hearing-aid Compatible
- Dial Mode Selectable



TELEPHONE OPERATION

Setting the Caller ID

Setting the Caller ID includes language selection, contrast selection, area code pre-set (one home area code and four local area codes) and time/date setting in this order.

Note: If you do not press any button within 10 seconds, you unit will automatically terminate the setting and revert to the standby mode with the display showing the current time and date.

Select the Language

- Press the **OPTIONS** button.
- The display will show **SET LANGUAGE**. Press **UP** or **DOWN** to see "ENGLISH," "FRANCAIS," and "ESPAÑOL."
- Press the **UP** or **DOWN** button until your desired language is displayed.
- Press the **OPTIONS** button to confirm selection and advance to next option in the menu.

Select the Contrast Level

The contrast adjustment allows you to fine-tune the display. The contrast has five levels of adjustment (the default setting is 3).

- Press the **OPTIONS** button twice.
- Press **UP** or **DOWN** to adjust the contrast level.
- Press the **OPTIONS** button to confirm and save.

Enter Your Area Code

Note: Only input area codes 2, 3 and 4 if there is more than one local area code within the same area. Otherwise, press the **OPTIONS** button to skip Area Codes 2, 3 and 4.

- Press the **OPTIONS** button three times.

Press **UP** or **DOWN** to display the first digit of your **HOME AREA CODE** (HAC), then press **DISPLAY DIAL** to move to the next digit. Press **OPTIONS** to save, and advance to the next option in the menu.

Follow the directions in **Step 2** to input **LOCAL AREA CODES** (LAC) 1, 2, 3 and 4 if necessary.

Setting Time and Date

Note: The clock will automatically be set when you receive a Caller ID call. However, you can set the clock manually by following the steps below.

- Press the **OPTIONS** button eight times.
- Press **UP** or **DOWN** to enter the hours setting. Then press **DISPLAY DIAL** to set the hour. (You might need to scroll through 12 hours to set AM or PM.)
- Press **UP** or **DOWN** to enter the minute setting. Then press **DISPLAY DIAL** to set the minute.
- Follow the procedure in **Steps 7 and 8** to set the month and the date.
- Press **OPTIONS** to save the settings, and exit the **OPTIONS MENU**.

Note: On receiving a Caller ID call, the date and time of your unit will be automatically updated to synchronize with the date and time registered by the Central Office. On completion of setting, the unit will revert to the standby mode, displaying the current time and date and TOTAL: 0 and NEW: 0.

Free Manuals Download Website

<http://myh66.com>

<http://usermanuals.us>

<http://www.somanuals.com>

<http://www.4manuals.cc>

<http://www.manual-lib.com>

<http://www.404manual.com>

<http://www.luxmanual.com>

<http://aubethermostatmanual.com>

Golf course search by state

<http://golfingnear.com>

Email search by domain

<http://emailbydomain.com>

Auto manuals search

<http://auto.somanuals.com>

TV manuals search

<http://tv.somanuals.com>