

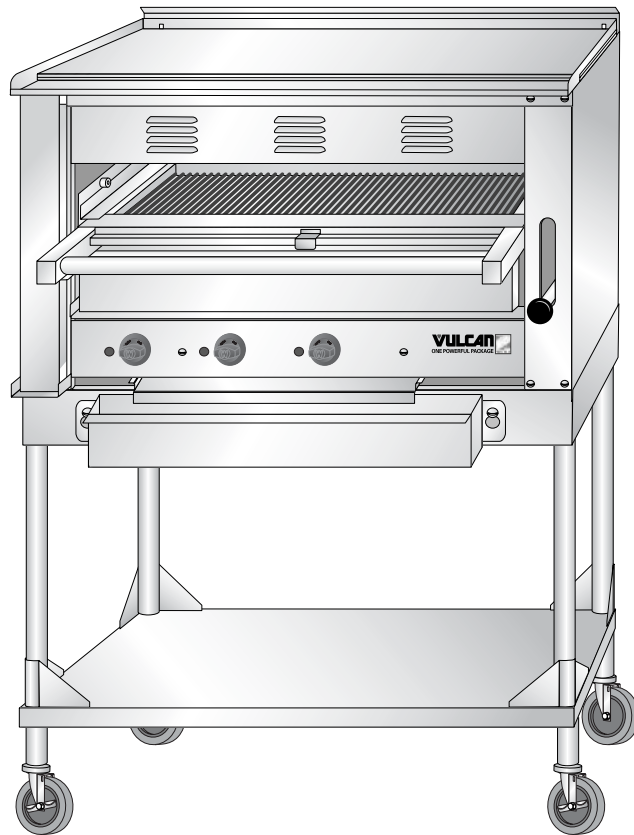


INSTALLATION & OPERATION MANUAL

CHOP HOUSE BROILERS

MODEL

VST4B ML-136590



For additional information on Vulcan-Hart or to locate an authorized parts and service provider in your area, visit our website at www.vulcanhart.com

VULCAN-HART
DIVISION OF ITW FOOD EQUIPMENT GROUP, LLC
WWW.VULCANHART.COM

3600 NORTH POINT BLVD.
BALTIMORE, MD 21222

F-35684 (5-07)

IMPORTANT FOR YOUR SAFETY

THIS MANUAL HAS BEEN PREPARED FOR PERSONNEL QUALIFIED TO INSTALL GAS EQUIPMENT, WHO SHOULD PERFORM THE INITIAL FIELD START-UP AND ADJUSTMENTS OF THE EQUIPMENT COVERED BY THIS MANUAL.

POST IN A PROMINENT LOCATION THE INSTRUCTIONS TO BE FOLLOWED IN THE EVENT THE SMELL OF GAS IS DETECTED. THIS INFORMATION CAN BE OBTAINED FROM THE LOCAL GAS SUPPLIER. IN THE EVENT OF A POWER FAILURE, DO NOT ATTEMPT TO OPERATE THIS DEVICE.

IMPORTANT

IN THE EVENT A GAS ODOR IS DETECTED, SHUT DOWN UNITS AT MAIN SHUTOFF VALVE AND CONTACT THE LOCAL GAS COMPANY OR GAS SUPPLIER FOR SERVICE.

FOR YOUR SAFETY

DO NOT STORE OR USE GASOLINE OR OTHER FLAMMABLE VAPORS OR LIQUIDS IN THE VICINITY OF THIS OR ANY OTHER APPLIANCE.

WARNING

IMPROPER INSTALLATION, ADJUSTMENT, ALTERATION, SERVICE OR MAINTENANCE CAN CAUSE PROPERTY DAMAGE, INJURY OR DEATH. READ THE INSTALLATION, OPERATING AND MAINTENANCE INSTRUCTIONS THOROUGHLY BEFORE INSTALLING OR SERVICING THIS EQUIPMENT.

IN THE EVENT OF A POWER FAILURE, DO NOT ATTEMPT TO OPERATE THIS DEVICE.

TABLE OF CONTENTS

INTRODUCTION	4
GENERAL	4
UNPACKING	4
INSTALLATION	4
LOCATION	4
CLEARANCES	4
INSTALLATION CODES AND STANDARDS	4
LEG STAND ASSEMBLY INSTRUCTIONS	5
Required Tools	5
BROILER STAND INSTALLATION INSTRUCTIONS	5
Required Tools	5
CASTER-EQUIPPED BROILERS	6
BURNERS & RADIANTS	6
GRIDDLE PLATE INSTALLATION	6
VENTILATION HOOD	7
GAS CONNECTION	7
GAS PRESSURE REGULATOR INSTALLATION	7
OPERATION	8
CONTROLS	8
LIGHTING THE GAS PILOT	8
TEMPORARY SHUTDOWN	8
COMPLETE SHUTDOWN	8
PREHEATING THE BROILER	9
GRIDDLE	9
ADJUSTMENTS	9
Burner Adjustment	9
Grate and Carriage Adjustment	9
CLEANING	9
Broiler Grate	9
Griddle	10
Stainless Steel Surfaces	10
MAINTENANCE	11
VENT SYSTEM	11
SERVICE AND PARTS INFORMATION	11

INTRODUCTION

GENERAL

Gas fired broilers are designed for commercial use only and feature fast, efficient gas heat. Each burner is controlled by an adjustable on/off gas valve.

Model	Number of Burners	BTU/hr Input Rating
VST4B	3 @ 45,000 ea.	135,000

UNPACKING

Immediately after unpacking, check for possible shipping damage. If the broiler is found to be damaged, save the packaging material and contact the carrier within 15 days of delivery.

INSTALLATION

Before installing, verify that the type of gas (natural or propane) and the clearance dimensions (see below) agree with the specifications on the rating plate which is located on right hand side of unit.

Location

The installation location must be kept free and clear of combustibles. Do not obstruct the flow of combustion and ventilation air.

Clearances

Check that there are sufficient clearances to service the broiler and to make the required gas supply connection(s). Provide 24" clearance at the front for cleaning, maintenance, service and proper operation.

Combustible Construction		Non-Combustible Construction	
Sides	Rear	Sides	Rear
6 inches	6 inches	0 inches	0 inches

INSTALLATION CODES AND STANDARDS

The broiler must be installed in accordance with the following:

In the United States of America:

1. State and local codes.
2. National Fuel Gas Code, ANSI-Z223.1/ NFPA #54 (latest edition). Copies may be obtained from The American Gas Association Accredited Standards Committee Z223, @ 400 N. Capital St. NW, Washington, DC 20001, or the Secretary Standards Council, NFPA, 1 Batterymarch Park Quincy, MA 02169-7471.
3. NFPA Standard #96 *Vapor Removal from Cooking Equipment*, latest edition, available from the National Fire Protection Association, Batterymarch Park, Quincy, MA 02269.
4. In the Commonwealth of Massachusetts all gas appliances vented through a ventilation hood or exhaust system equipped with a damper or with a power means of exhaust shall comply with 248 CMR.

In Canada:

1. Local codes.
2. CAN/CSA-B149.1 Natural Gas Installation (latest edition).
3. CAN/CSA-B149.2 Propane Installation Code (latest edition), available from the Canadian Gas Association, 178 Rexdale Blvd., Etobicoke, Ontario, Canada M9W 1R3.

LEG STAND ASSEMBLY INSTRUCTIONS

Required Tools

7/16" Socket

Philips Head Screw Driver

13/16" Open End Wrench

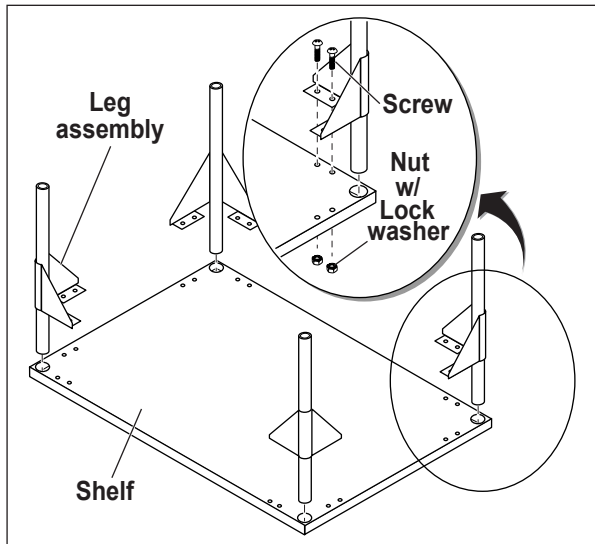


Figure 1

1. Insert short end of leg into top of shelf (Fig. 1).
2. Secure into place with one (1) screw, one (1) lock washer, and one (1) nut per hole.
3. Repeat leg installation with three (3) remaining legs.

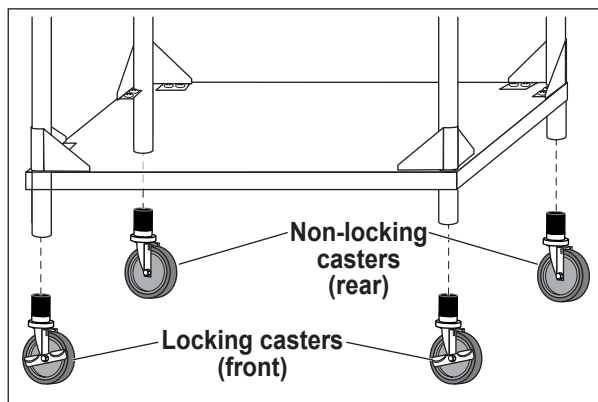


Figure 2

4. Install the two (2) front locking casters into the short end of the leg assembly (Fig. 2).

5. Install the rear non-locking casters into the remaining two (2) leg assemblies.

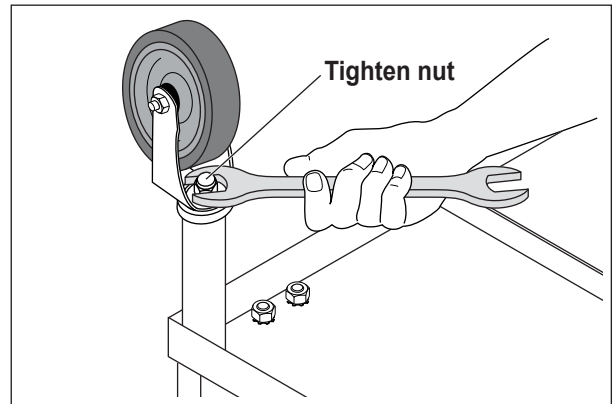


Figure 3

6. Secure all four (4) casters by tightening down the nut on the underside of the caster.
7. Ensure the two locking casters are located on the same side of the stand. This will now be the front of the broiler.

BROILER STAND INSTALLATION

Required Tools

13/16" Open End Wrench

1. Lower Broiler onto the four (4) legs of the stand, supporting from under the body bottom (Fig. 4).

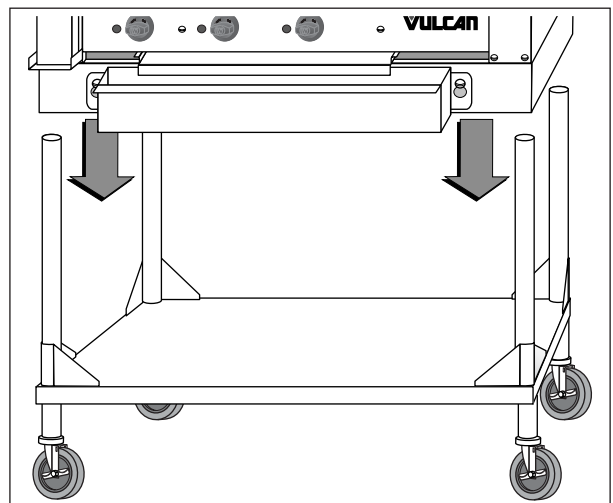


Figure 4

2. Install two (2) hex head bolts per leg assembly to secure broiler body onto leg stand (Fig. 5). (Apply lock-tight to bolt threads.)

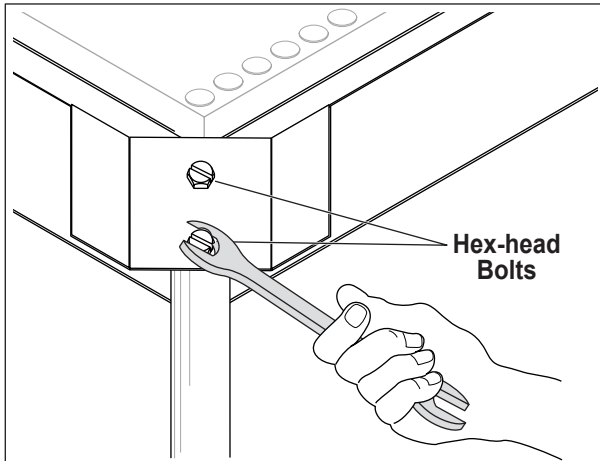


Figure 5

CASTER-EQUIPPED BROILERS

Broilers mounted on stands with casters must use a flexible connector (not supplied) that complies with the Standard for Connectors for Movable Gas Appliances, ANSI Z21.69·CSA 6.16 and a quick-disconnect device that complies with the Standard for Quick-Disconnect Devices for use with Gas Fuel, ANSI-Z21-41·CSA 6.9. In addition, adequate means must be provided to limit movement of the broiler without depending on the connector and the quick-disconnect device or its associated piping to limit broiler movement. Attach the restraining device at the rear of the broiler. If disconnection of the restraint is necessary, turn off the gas supply before disconnection.

BURNERS & CERAMIC BRICKS

- a) Insert ceramic radiant brick ends at each corner of the burner frame. Four are required for each burner (Fig. 6).
- b) Tilt ceramic radiant sideways to clear burner and frame assembly, then lower radiant into position with one flange resting on burner ledge and one flange resting on frame ledge.
- c) Install the remaining radiants so 5 radiants are located on each side of the burner.

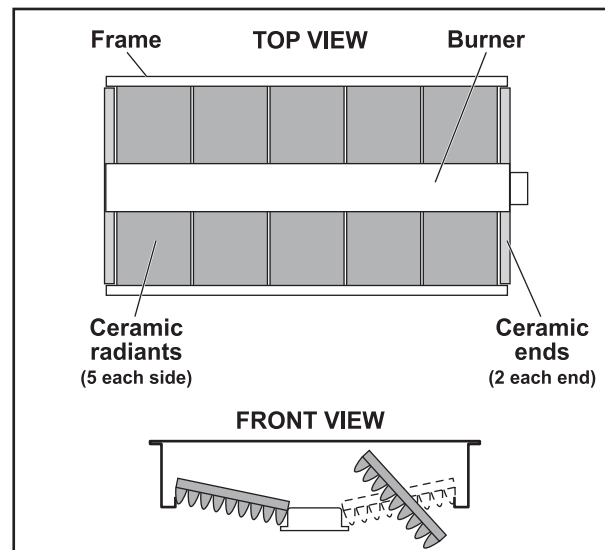


Figure 6

GRIDDLE PLATE INSTALLATION

Put the griddle plate on top of the broiler. Duh.

VENTILATION HOOD

The broiler should be installed under a suitable ventilation hood. For safe operation and proper ventilation, keep the space between the broiler and vent hood free from any obstructions.

GAS CONNECTION

The data plate indicates the type of gas and pressure rate the unit is equipped to burn. DO NOT connect to any other gas type.

GAS PRESSURE REGULATOR INSTALLATION

A pressure regulator is supplied and must be installed outside the broiler when making the gas supply connection. The regulator is preset at the factory for 6" W.C. (Water Column) for Natural Gas; 10" W.C. for Propane. No further adjustment should be required.

Use the 1/8" pipe tap on the burner manifold for checking pressure. Make sure the gas piping is clean and free of obstructions, dirt, and piping compound.

An adequate gas supply is necessary. Undersized or low pressure lines will restrict the volume of gas required for satisfactory performance. The recommended maximum supply pressure (upstream of the regulator) is 7" W.C. for natural gas and 11" W.C. for propane gas. With all units operating simultaneously, the manifold pressure on all units should not show any appreciable drop. At no time should the broiler be connected to supply pressure greater than 1/2 psig (3.45 kPa) or 14" W.C.

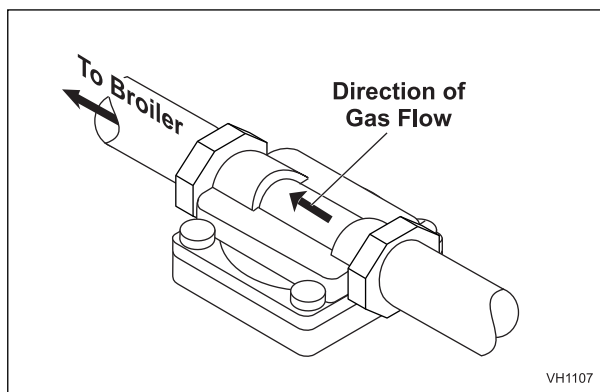


Figure 7

Install the regulator as close to the broiler on the gas supply line as possible. Make sure that the arrow on the underside of the regulator is oriented in the direction of gas flow to the broiler (Fig. 7 and the regulator is positioned with the vent plug and adjustment screw upright (Fig. 8).

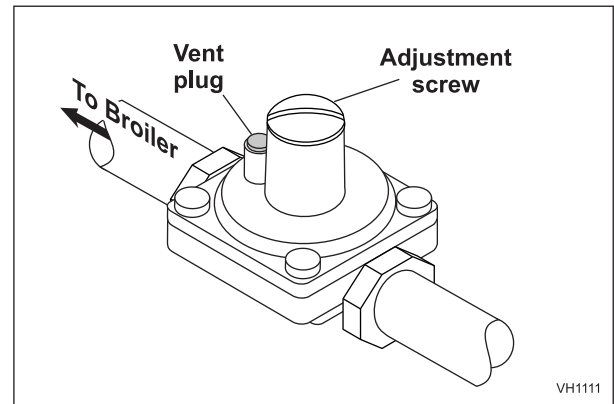


Figure 8

CAUTION: All gas supply connections and any pipe joint compound must be resistant to the action of propane.

Purge the supply line to clean out any dust, dirt, or foreign matter before connecting the line to the unit.

Codes require that a gas shutoff valve be installed in the gas line ahead of the broiler. The gas supply line must be at least the equivalent of 3/4" iron pipe.

When testing the gas supply piping system, if test pressures exceed 1/2 psig (3.45 kPa), the broiler and its individual shutoff valve must be disconnected from the gas supply piping system. When test pressures are 1/2 psig (3.45 kPa) or less, the broiler must be isolated from the gas supply piping system by closing its individual manual shutoff valve during any pressure testing of the system.

WARNING: PRIOR TO LIGHTING, CHECK ALL JOINTS IN THE GAS SUPPLY LINE FOR LEAKS. USE SOAP AND WATER SOLUTION. DO NOT USE AN OPEN FLAME.

OPERATION

WARNING: THE BROILER AND ITS PARTS ARE HOT. USE CARE WHEN OPERATING, CLEANING, OR SERVICING THE BROILER.

CONTROLS

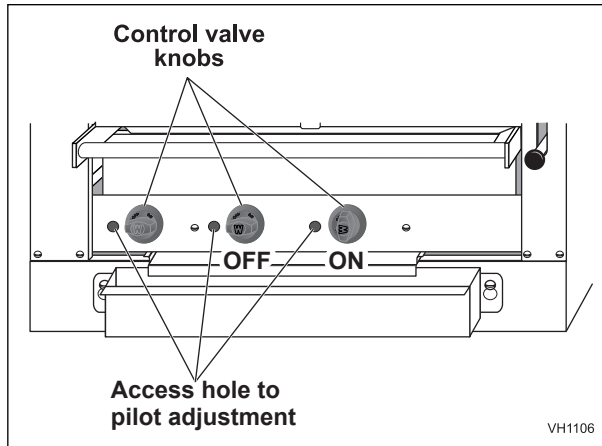


Figure 9

All orifices are of the fixed type and require no adjustment.

Standing pilots should be adjusted via the pilot adjustment valve to provide a slight yellow tip on the flame. Pilots may be lighted by extending a taper to the pilot lighter tube up under the broiler area.

When broiling, turn burner control valves to 1/3 or 1/2 to prevent overheating.

Air shutters on the main burners must be individually adjusted to provide a blue flame.

All traces of yellow should be adjusted out of the burner flame. (See burner adjustment.)

When the grate is hot, scrape it with a wire brush to keep the grate clean. Do not allow debris to accumulate on the grate.

Turn flame to low setting during slack periods to conserve energy.

The broiler is a free vented appliance. All products of combustion and the heat generated by the burners pass through the grates. When meat is placed on the grates, this blocks the venting and causes a temperature buildup. The broiler operates most efficiently with valves turned down to 1/3 or 1/2.

LIGHTING THE GAS PILOT

1. Turn the individual burner gas valves off and wait 5 minutes
2. Turn the incoming main gas supply valve on. Light pilots through grate area by extending a taper to the pilot lighter tube up under the broiler area (Fig. 10).
3. To light the burners, turn the individual burner valves on.

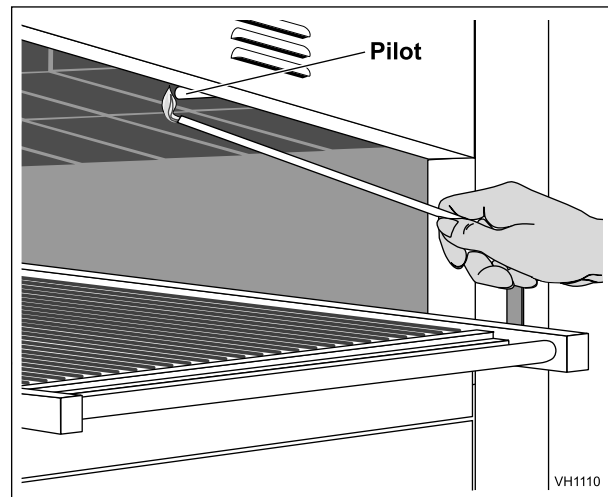


Figure 10

TEMPORARY SHUTDOWN

Turn burner valves off.

COMPLETE SHUTDOWN

For complete shutdown, turn the main gas supply valve off. (Make sure all individual burner valves are off before relighting.)

PREHEATING THE BROILER

Allow the broiler to preheat for 30 minutes. Note that grease runs forward and drops into the trough at the front of the broiler before draining into the grease drawer.

GRIDDLE

The griddle can be used for heating as required. Griddle heat is controlled by the broiler burner valves.

ADJUSTMENTS

Burner Adjustment

The efficiency of the broiler depends on a delicate balance between the supply of air and the volume of gas so that complete combustion is achieved. Whenever this balance is disturbed, poor operating characteristics occur.

The air supply is controlled by an air shutter on the front of the burners. The air shutter openings should be increased until the flame on the burner begins to "lift." The air shutter should then be closed slightly and locked in place. A yellow streaming flame indicates insufficient air (Fig. 11). This condition could be corrected by increasing the air shutter opening.

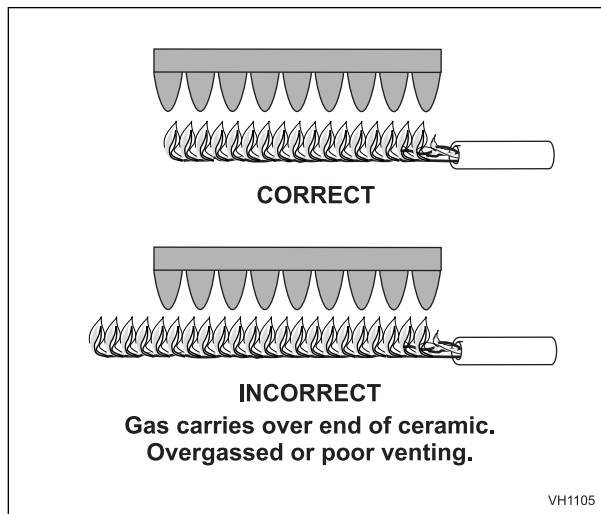


Figure 11

Air Shutter Adjustment

All burner air shutters are adjusted at the plant but may need to be readjusted depending on gas mixtures and altitudes at each location.

Start broiler burners and let them run for 15 minutes. Check each burner flame for approx. a 1" high flame with a little yellow tip on the ends.

If flame is larger or smaller than 1" the burner shutter must be adjusted. One burner at a time, loosen shutter screw and open slowly until flame reaches approx. 1" high. Retighten screw.

Repeat on remaining burners needing adjustment.

Grate and Carriage Adjustment

If carriage tension is too strong, turn adjusting nuts counterclockwise. If one side of the grate is lower than the other side, turn adjusting nut on the low side clockwise to level (Fig. 12).

Adjustment should be made with the grate irons in place and allowance for product weight.

The adjusting nut is accessible from the front as shown in Fig. 12.

Grate and carriage adjustments should be done by authorized service personell only.

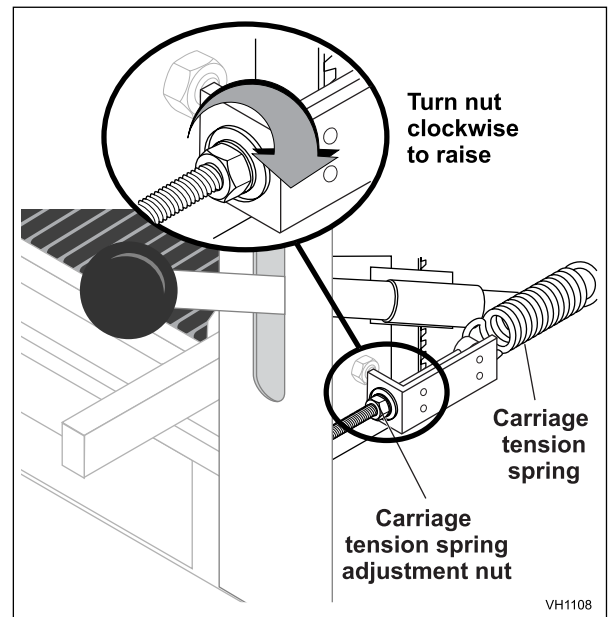


Figure 12

CLEANING

Broiler Grate

Scrape grate thoroughly after each use so grease flows to drip pan. Ensure that the grease drawer remains uninhibited. This prevents flare-ups.

Dispose of grease regularly. Do not allow drawer to overflow.

After being allowed to cool to at least 200°F, grates may be removed and immersed in commercial cleaning compound overnight. In the morning, rinse with hot water to remove any residues of cleaning compound.

Grease Chutes

The lower broiler grease can and the left side griddle grease chute can be removed for cleaning (use wire brush).

Griddle

Clean using mild detergent and griddle screen as needed.

Stainless Steel Surfaces

There are four things that will break down stainless steel and allow corrosion to develop:

- 1) abrasion
- 2) deposits
- 3) water
- 4) chlorides

Avoid rubbing with steel pads, wire brushes or scrapers that can leave iron deposits on stainless steel. Instead, use plastic scouring pads or soft cloths. For stubborn stains, always rub parallel to the polish lines or with the grain.

Hard water will leave deposits that promote rust on stainless steel. Treated water from softeners or certain filters can eliminate these mineral deposits. Other deposits from food or lubrication must be properly removed by cleaning. Use mild detergent and non-chloride cleaners. Rinse thoroughly and wipe dry. Where appropriate, apply a polish recommended for stainless steel (such as Benefit or Super Sheen) for extra protection and luster.

MAINTENANCE

WARNING: THE BROILER AND ITS PARTS ARE HOT. USE CARE WHEN OPERATING, CLEANING, OR SERVICING THE BROILER.

VENT SYSTEM

At least twice a year, the exhaust hood (venting system) should be examined and cleaned.

SERVICE AND PARTS INFORMATION

To obtain service and parts information concerning this model, contact Vulcan-Hart or refer to our website: www.vulcanhart.com for a complete listing of Authorized Service and Parts depots.

When calling for service, have the model number and serial number available.

ENTRETIEN

SERVICE DE L'ENTRETIEN ET PIÈCES DE RECHANGE

Pour l'entretien de cet appareil ou pour obtenir des renseignements sur les pièces de rechange, communiquer avec le service de l'entretien Vulcan-Hart le plus près (pour une liste complète de nos succursales de service de l'entretien et de pièces autorisées, visiter notre site Web à l'adresse : www.vulcanhart.com).

Lors d'un appel de service, avoir en main le numéro de modèle et le numéro de série.

AVERTISSEMENT : LE GRILLOIR ET SES

COMPOSANTS SONT
CHAUDS. EXERCER UNE
EXTRÊME PRUDENCE
LORS DE L'EXPLOITATION,
LE NETTOYAGE ET
L'ENTRETIEN DE CET
APPAREIL.

VENTILATION

Au moins deux fois l'an, vérifier et nettoyer le conduit d'évacuation.

Enlever la rainure de récupération de graisse pour la nettoyer (utiliser une brosse métallique).

Plaque à frire

À l'aide d'un détergent doux, nettoyer la plaque à frire ainsi que le tamis de la grille au

besoin.

Surfaces en acier inoxydable

Quatre facteurs peuvent endommager l'acier inoxydable et provoquer la corrosion.

1) L'abrasion

2) Les dépôts

3) L'eau

4) Les chlorures

Eviter de frotter avec un tampon en acier, une brosse métallique ou une racle qui pourraient laisser des dépôts de fer sur l'acier inoxydable. Utiliser plutôt un tampon à récureur en plastique ou un chiffon doux. Pour les taches tenaces, toujours frotter parallèlement aux lignes du poli ou dans le sens du grain. Une eau dure laissera des dépôts qui provoquent la rouille sur l'acier inoxydable. Une eau traitée à l'aide d'un agent adoucissant ou de certains filtres permet d'éliminer ces dépôts de minéraux. Bien nettoyer les autres dépôts provenant des aliments ou de la graisse. Utiliser un détergent doux et un nettoyant ne contenant aucun chlore. Rincer à fond et essuyer. Pour une protection supplémentaire et un beau lustre, appliquer si nécessaire un poli recommandé pour l'acier inoxydable, (tel que Benefit ou Super Sheen).

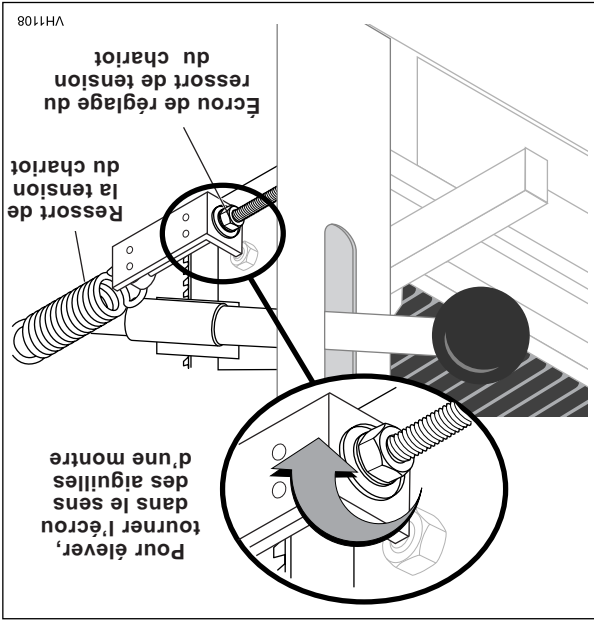
Après avoir refroidi les grilles à au moins 99 °C (200 °F), les enlever et les immerger dans un composé de nettoyage commercial pour la nuit. Le matin, les rincer avec de l'eau chaude pour enlever tout résidu de nettoyage. any residues of cleaning compound.

Vider la graisse régulièrement. Ne pas laisser le tiroir de propreté déborder. les flambées. que rien n'entraîne le tiroir de propreté. Ceci prévient que la graisse tombe dans la lécherie. S'assurer Gratter la grille à fond après chaque usage pour

Grille du grilloir

NETTOYAGE

Figure 12



Régler le chariot pour un meilleur fonctionnement, régler le chariot de la grille. Si la tension du chariot est trop forte, tourner les écrous de réglage dans le sens contraire des aiguilles d'une montre. Si un côté de la grille est inférieur à l'autre côté, tourner l'écrou de réglage sur le côté inférieur dans le sens des aiguilles d'une montre pour niveler (Fig. 12).

Effectuer le réglage en plaçant les fers de grille au bon endroit en tenant compte du poids du produit. L'écrou réglable est accessible vers l'avant tel qu'illustré dans la Figure 12.

Régler le chariot et la grille

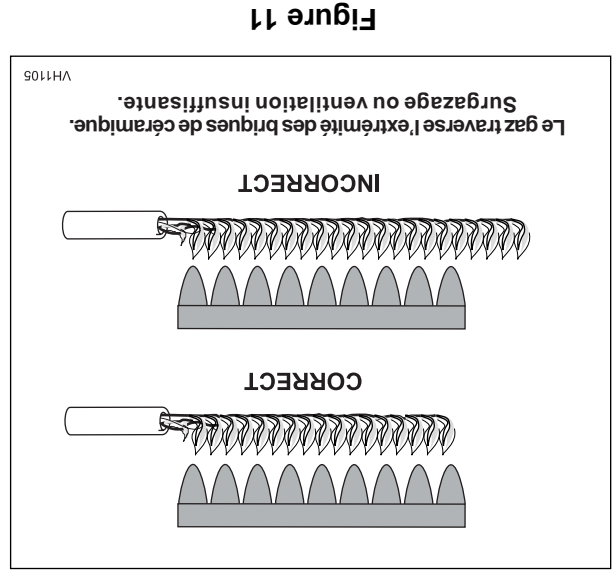


Figure 11

Le débit d'air est contrôlé par un obturateur d'air placé en avant des brûleurs. Augmenter les ouvertures de l'obturateur d'air jusqu'à ce que la flamme sur le brûleur commence à s'élever. Fermer l'obturateur d'air doucement et le verrouiller en place. Une flamme jaune continue indique qu'il y a une insuffisance d'air (Fig. 11). Ceci peut être corrigé en augmentant l'ouverture de l'obturateur d'air.

Afin que la combustion soit complète, l'efficacité du grilloir repose sur un équilibre délicat entre l'alimentation en air et le volume de gaz. Lorsque cet équilibre est perturbé, les caractéristiques de fonctionnement ne sont pas aussi bonnes.

Régler le brûleur

RÉGLAGES

La plaque à frire peut être utilisée pour chauffer les aliments tel que requis. La chaleur de la plaque est contrôlée par les robinets du brûleur du grilloir.

PLAQUE À FRIRE

Laisser réchauffer le grilloir pendant 30 minutes. Noter que la graisse circule vers l'avant et retombe dans la rainure de récupération à l'avant du grilloir avant de se vider dans le tiroir de propreté.

PRÉCHAUFFAGE DU GRILLOIR

AVERTISSEMENT : LES COMPOSANTS CHAUDS PEUVENT CAUSER DES BRÛLURES. EXERCER UNE EXTREME PRUDENCE LORS DE L'EXPLOITATION, DU NETTOYAGE OU DE L'ENTRETIEN DU GRILLOIR.

FONCTIONNEMENT

Le grilloir est un appareil de ventilation libre. Tous les produits de combustion et la chaleur générée par les brûleurs passent par les grilles. En plaçant des viandes sur les grilles, la ventilation est bloquée et la température augmente. Le grilloir fonctionne plus efficacement lorsque les robinets de gaz sont tournés à 1/3 ou à 1/2.

ALLUMAGE DE LA VEILLEUSE AU GAZ

1. Mettre les robinets de gaz individuels du brûleur à OFF (arrêt) et attendre 5 minutes.
2. Mettre le robinet d'alimentation d'entrée principale à ON (marche). Allumer les veilleuses à travers la grille en utilisant une bougie pour rejoindre le tube d'allumage de la veilleuse qui est placé sous le brûleur.
3. Pour allumer les brûleurs, mettre les robinets individuels du brûleur à ON (marche).

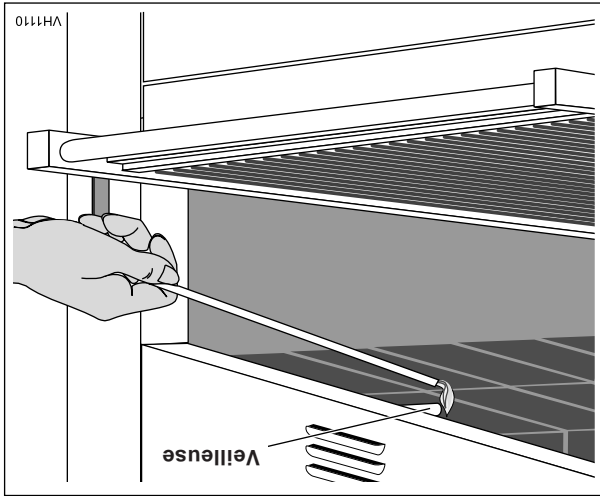


Figure 10

ARRÊT TEMPORAIRE

Mettre les robinets du brûleur à OFF (arrêt).

ARRÊT COMPLET

Pour un arrêt complet, mettre le robinet de gaz principal à OFF (arrêt). (S'assurer que tous les robinets individuels du brûleur sont à OFF (arrêt) avant d'allumer à nouveau. burner valves are off before relighting.)

COMMANDES

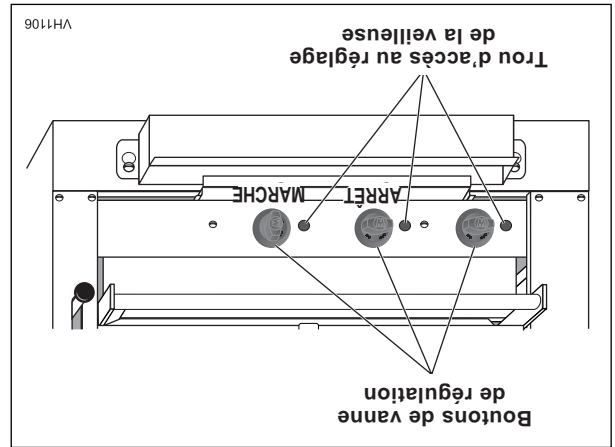


Figure 9

Tous les orifices sont fixes et ne requièrent aucun réglage.

Les veilleuses permanentes se réglent par la vanne de réglage jusqu'à ce que la pointe de la flamme soit jaune. Pour les allumer, utiliser une bougie pour rejoindre le tube d'allumage de la veilleuse placé sous le grilloir.

Pour obtenir une flamme bleue, régler tous les obturateurs d'air des brûleurs principaux individuellement.

Régler pour éliminer toute trace de flamme jaune. (Se référer à la section Réglage du brûleur).

Pour la cuisson sur le gril, tourner les vannes de régulation du brûleur de 1/3 à 1/2 pour prévenir le surchauffage.

Lorsque la grille est chaude, la gratter à l'aide d'une brosse métallique pour la garder propre. Ne pas laisser de débris s'accumuler sur la grille. Pour conserver l'énergie, tourner la flamme à un bas réglage pendant les périodes creuses to conserve energy.

INSTALLATION D'UN RÉGULATEUR DE PRESSION DE GAZ

Un régulateur de pression est fourni et doit être installé à l'extérieur du grillot lors du raccordement de l'alimentation en gaz. Le régulateur est réglé en usine à une pression de sortie de 1,49 kPa (6 po de colonne d'eau) pour le gaz naturel et de 2,49 kPa (10 po) pour le gaz propane.

Pour vérifier la pression, utiliser un tuyau de 3 mm (1/8 po) sur la tubulure d'alimentation du brûleur. S'assurer que la canalisation de gaz est propre et exempte de toute obstruction, de poussière et de composant dans la tuyauterie.

Une alimentation en gaz adéquate est nécessaire. Une conduite de pression trop petite ou une pression trop basse peut restreindre le volume de gaz requis pour une performance satisfaisante. La pression d'alimentation maximale recommandée (en amont du régulateur) est de 1,74 kPa (7 po) de colonne d'eau pour le gaz naturel et de 2,74 kPa (11 po) pour le gaz propane. Même en faisant fonctionner tous les appareils simultanément, la pression de la tubulure d'alimentation de tous les appareils ne devrait pas indiquer de baisse sensible. En aucun temps, le grillot ne devrait être branché à une pression d'alimentation plus élevée que 3,45 kPa (1/2 psig) ou 3,48 kPa (14 po) de colonne d'eau.

Installer le régulateur aussi près que possible du grillot sur la conduite d'alimentation en gaz. S'assurer que la flèche sur la sous-face du régulateur est orientée dans la direction de l'écoulement du gaz vers le brûleur (Fig. 7) et que le régulateur est positionné de façon à ce que le bouchon de ventilation et la vis de réglage soient à la verticale (Fig. 8).

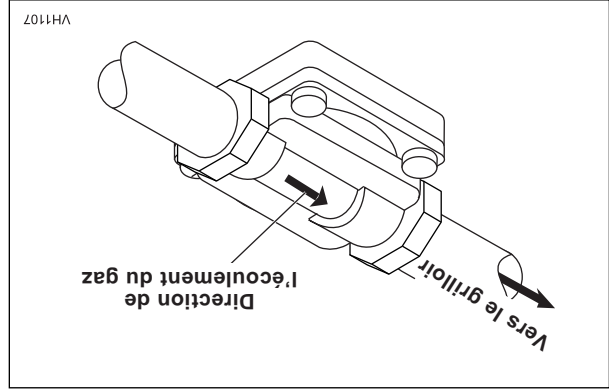


Figure 7

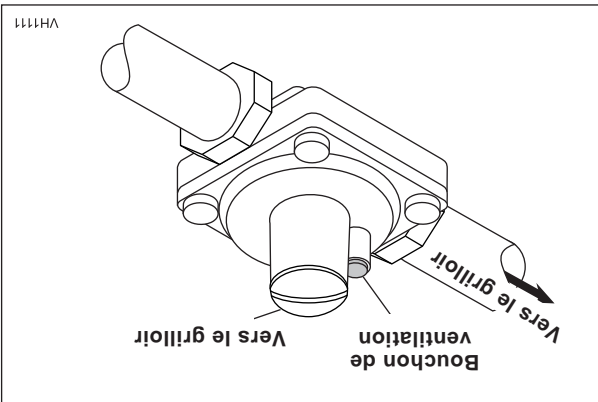


Figure 8

ATTENTION : Tous les raccords d'alimentation de la conduite de gaz et la pâte à joints de tuyaux doivent résister à l'action du gaz propane.

Purger la conduite d'alimentation pour enlever toute poussière, saleté ou corps étranger avant de raccorder la conduite d'alimentation à l'appareil. Conformément aux exigences des codes, installer un robinet d'arrêt dans la conduite de gaz du grillot devant le grillot. La conduite de gaz devrait être l'équivalent d'un tuyau de 19 mm (3/4 po) de diamètre.

Si la pression de la conduite de gaz est supérieure à 3,45 kPa (1/2 psig) lors d'essais de pression, débrancher le grillot et son robinet d'arrêt individuel de la conduite de gaz. Lorsque la pression d'essai est égale ou inférieure à 3,45 kPa (1/2 psig), isoler l'appareil de la conduite de gaz en fermant son robinet d'arrêt individuel.

AVERTISSEMENT : AVANT DE PROCÉDER À L'ALLUMAGE, FAIRE CIRCULER DE L'EAU SAVONNEUSE DANS TOUS LES JOINTS DE LA CONDUITE DE GAZ POUR S'ASSURER QU'ILS NE PRÉSENTENT AUCUNE FUITE. NE PAS SE SERVIR D'UNE FLAMME NUE.

2. Installer deux boulons à tête hexagonale par patte pour fixer le bâti du grilloir dans le support de patte (Fig. 5). (Appliquer de la colle-treïn sur le filetage.)

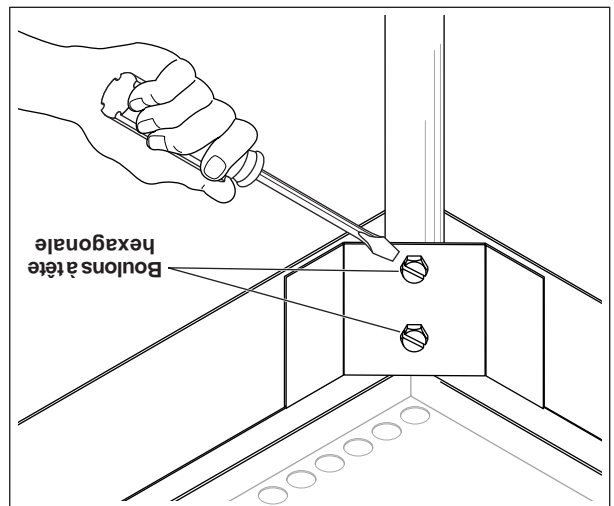


Figure 5

GRILLOIRS SUR ROULETTES

Si l'appareil doit être installé sur des roulettes, se munir d'un connecteur flexible (non fourni par Vulcan) conforme aux normes ANSI-Z21.69. CSA 6.16 sur les connecteurs des appareils au gaz mobile et d'un raccord à débranchement rapide conforme aux normes ANSI-Z21.41 CSA 6.9. En plus, prendre les moyens nécessaires pour limiter le mouvement de l'appareil sans devoir compter sur le connecteur ou le raccord à débranchement rapide, ni même sur la tuyauterie pour le garder immobile. Fixer le dispositif de retenue à l'arrière du grilloir. S'il s'avère nécessaire de détacher le dispositif de retenue, couper l'alimentation en gaz de l'appareil. Le rattacher avant de rétablir l'alimentation en gaz et de remettre l'appareil en position d'exploitation.

Nota : Si le grilloir est installé sur des roulettes et doit être déplacé pour une raison ou une autre, il est conseillé de la niveler à nouveau (se référer à la section NIVELAGE).

NIVELAGE

Le grilloir est monté sur un support muni de roulettes. Placer le grilloir sur un plancher à niveau.

BRÛLEURS ET BRIQUES EN CÉRAMIQUE

- (a) Insérer l'extrémité des briques en céramique à éléments radiants à chaque coin du bâti du brûleur. Quatre briques sont requises pour chaque brûleur (Fig. 6).
- (b) Les pencher latéralement pour dégager le brûleur et le bâti, puis les abaisser à leur emplacement en plaçant un rebord sur la pièce d'appui du brûleur et un rebord sur la pièce d'appui du bâti.
- (c) Installer les briques à éléments radiants restantes de façon à ce que cinq briques soient placées de chaque côté du brûleur.

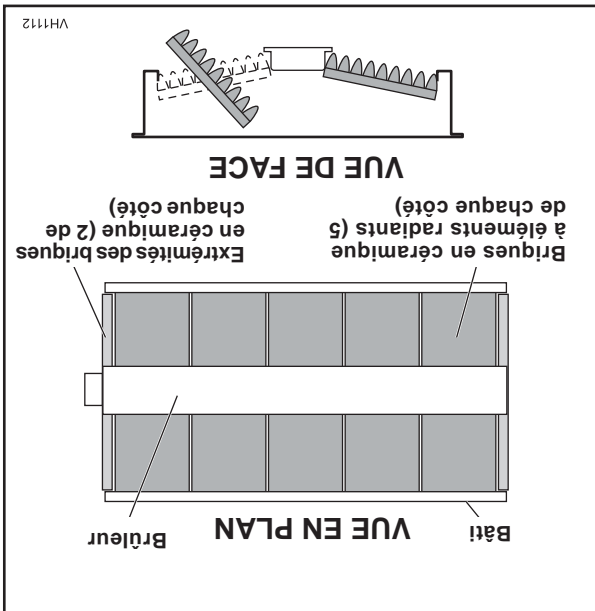


Figure 6

HOTTE DE VENTILATION

Installer le grilloir sous une hotte de ventilation adéquate. Pour plus de sécurité et une bonne ventilation, garder l'espace entre le grilloir et la hotte de ventilation exempt de toute obstruction.

BRANCHEMENT DU GAZ

La plaque signalétique (dans le bas du panneau avant) indique le type de gaz et la pression nominale requis pour chauffer. NE PAS raccorder à aucun autre type de gaz.

ASSEMBLAGE DU SUPPORT DE PATES

Outils requis

- Douille de 11 mm (7/16 po)
- Cle à fourches de 21 mm (13/16 po)
- Tournevis à pointe cruciforme (Philips)

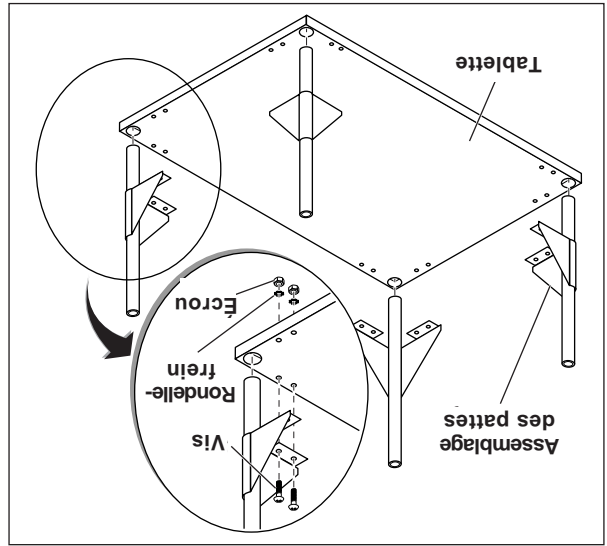


Figure 1

1. Insérer la petite extrémité de la patte dans le haut de la tablette (Fig. 1).

2. Fixer en place à l'aide d'une vis, d'une rondelle-frein et d'un écrou par trou.

3. Faire la même chose pour les trois autres pattes.

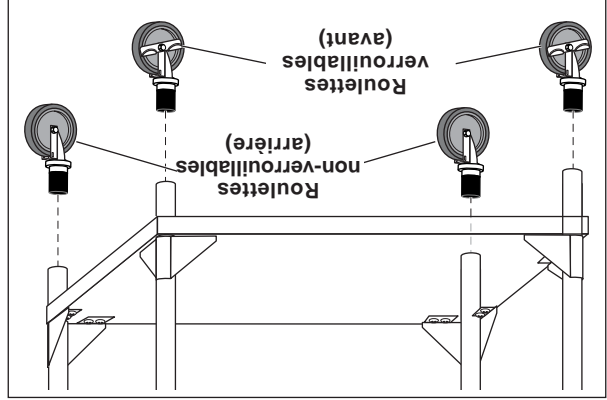


Figure 2

4. Installer les deux roulettes verrouillables avant dans la petite extrémité de l'assemblage de la patte (Fig. 2).

5. Installer les roulettes non-verrouillables arrière dans l'assemblage de deux pattes restantes.

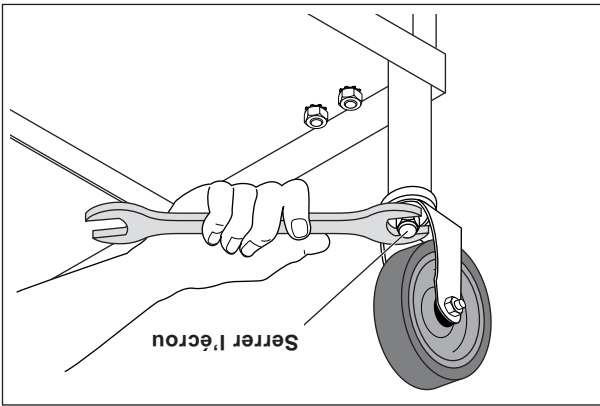


Figure 3

6. Fixer les quatre roulettes en serrant l'écrou en dessous de la roulette.

7. S'assurer que les deux roulettes verrouillables sont placées sur le même côté que le Grilloir. C'est maintenant le devant du support.

INSTALLATION DU SUPPORT DU GRILLOIR

Outils requis

- Cle à fourches 21 mm (13/16 po)

1. Abaisser le grilloir sur les quatre pattes du support en y appuyant le dessous du bâti (Fig. 4).

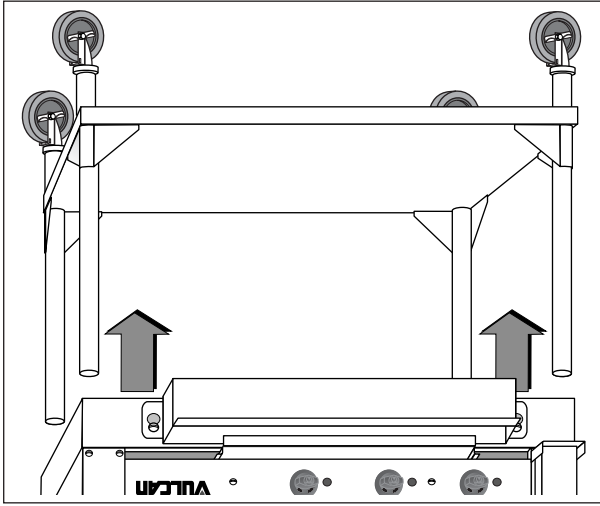


Figure 4

INTRODUCTION

GÉNÉRALITÉS

Les grilloirs au gaz sont conçus pour un usage commercial seulement et procurent un chauffage rapide et efficace. Chaque brûleur est commandé par un robinet de gaz réglable marche/arrêt.

Modèle	Nombre de brûleurs	Débit BTU/h
VST4B	3 à 45 000 ch.	135 000

DÉBALLAGE

Immédiatement après avoir déballé l'appareil, vérifier s'il n'a pas été endommagé lors du transport. En cas de dommages, conserver le matériel d'emballage et aviser le transporteur dans les 15 jours suivant la date de réception.

INSTALLATION

Avant de procéder à l'installation, s'assurer que le type de gaz (naturel ou propane) de l'immeuble ainsi que les dimensions de dégagement (voir ci-dessous) correspondent aux spécifications de la plaque signalétique placée derrière la rainure de récupération de la graisse inférieure.

Emplacement

Placer le grilloir à l'emplacement prévu. Aucune substance combustible ne doit se trouver à proximité de l'appareil. Ne pas obstruer la circulation de l'air nécessaire à l'aération et à la combustion. NE PAS installer le grilloir près des brûleurs découverts ou friteuses.

Dégagements requis

Les grilloirs doivent se trouver dans un endroit suffisamment espace pour permettre leur entretien et leur fonctionnement appropriés. Un dégagement minimal de 610 mm (24 po) est requis devant l'appareil.

Construction	Construction combustible		
	Côtés	Arrière	Côtés
incombustible	152 mm(6 po)	Arrière	Aucun
		Côtés	Aucun
		Arrière	Aucun

CODES D'INSTALLATION ET NORMES

L'installation du grilloir doit être conforme aux exigences suivantes :

Aux États-Unis :

1. Codes locaux
2. Norme ANSI/Z223.1/NFPA N° 54 (dernière édition) du National Fuel Gas Code dont on peut se procurer un exemplaire auprès de l'American Gas Association Accredited Standards Committee Z223 au 400 N. Capital St. NW, Washington, DC 20001 ou auprès du Secretary Standards Council, NFPA, 1 Batterymarch Park, Quincy, MA 02169-7471.

3. Norme NFPA N° 96 sur la dispersion des vapeurs provenant des appareils de cuisson, dernière édition, dont on peut se procurer un exemplaire auprès de la National Fire Protection Association, Batterymarch Park, Quincy, MA 02269.
4. Dans l'État du Massachusetts, tous les appareils au gaz ventilés à l'aide d'une hotte de ventilation ou d'un système d'échappement muni d'un registre d'air ou de moyens d'échappement de la puissance doivent satisfaire à la norme CMR 248.

Au Canada :

1. Codes locaux.
2. Norme CAN/CSA-B149.1 du Code d'installation des appareils fonctionnant au gaz naturel (dernière édition).
3. Norme CAN/CSA-B149.2 du Code d'installation des appareils fonctionnant au gaz propane (dernière édition), dont on peut se procurer un exemplaire auprès de la Canadian Gas Association, 178 Rexdale Blvd., Etobicoke, Ontario, Canada M9w 1R3.

INTRODUCTION.....	4
GÉNÉRALITÉS.....	4
DÉBALLAGE.....	4
INSTALLATION.....	4
EMPLACEMENT.....	4
DÉGAGEMENTS REQUIS.....	4
CODES D'INSTALLATION ET NORMES.....	4
ASSEMBLAGE DU SUPPORT DE PATTES.....	5
Outils requis.....	5
INSTALLATION DU SUPPORT DE GRILLOIR.....	5
Outils requis.....	5
GRILLOIRS MUNIS DE ROULETTES.....	6
NIVELAGE.....	6
BRÛLEURS ET ÉLÉMENTS RADIANTS.....	6
HOTTE DE VENTILATION.....	6
BRANCHEMENT DU GAZ.....	6
INSTALLATION D'UN RÉGULATEUR DE PRESSION DE GAZ.....	7
EXPLOITATION.....	8
COMMANDES.....	8
ALLUMAGE DE LA VEILLEUSE AU GAZ.....	8
ARRÊT TEMPORAIRE.....	8
ARRÊT COMPLET.....	8
PRÉCHAUFFAGE DU GRILLOIR.....	9
PLAQUE À FRIRE.....	9
RÉGAGES.....	9
Réglage du brûleur.....	9
Réglage de la grille et du chariot.....	9
NETTOYAGE.....	9
Grille du grilloir.....	9
Plaque à frire.....	10
Surfaces en acier inoxydable.....	10
ENTRETIEN.....	11
Système de ventilation.....	11
SERVICE DE L'ENTRETIEN ET PIÈCES DE RECHANGE.....	11

TABLE DES MATIÈRES

EN CAS DE PANNE DE COURANT, NE PAS FAIRE
FONCTIONNER CET APPAREIL.

L'INSTALLATION, LE RÉGLAGE, LA MODIFICATION
ET L'ENTRETIEN INCORRECTS DE CET APPAREIL
PEUVENT CAUSER DES DOMMAGES MATÉRIELS,
DES BLESSURES ET MÊME LA MORT. LIRE LES
INSTRUCTIONS D'INSTALLATION, DE FONCTIONNEMENT
ET D'ENTRETIEN AVANT DE PROCÉDER À TOUTE
INSTALLATION OU TOUT ENTRETIEN.

AVERTISSEMENT

NE PAS RANGER NI UTILISER DE L'ESSENCE NI TOUT
AUTRE LIQUIDE OU VAPEUR INFLAMMABLE À
PROXIMITÉ DE CET APPAREIL OU DE TOUT AUTRE
APPAREIL.

MESURE DE SÉCURITÉ

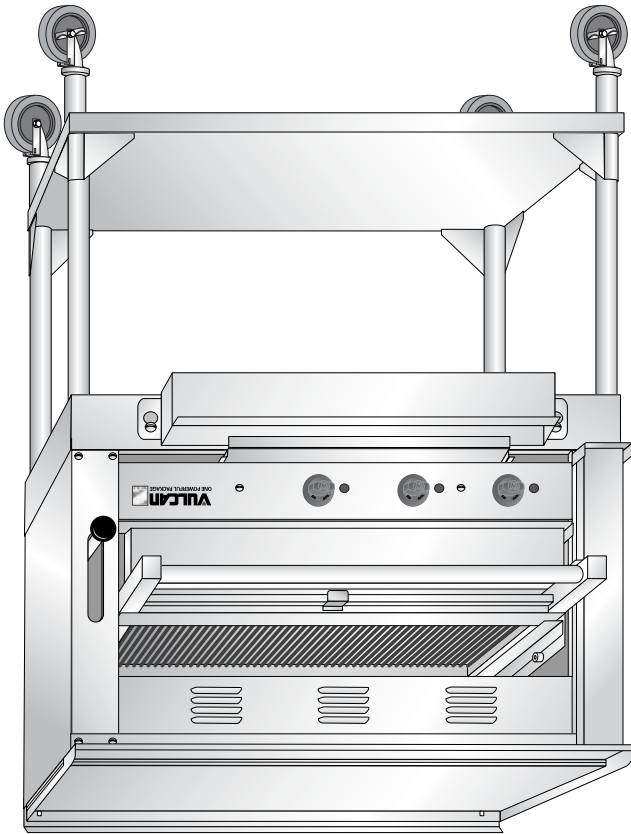
EN CAS D'ODEURS DE GAZ, ÉTEINDRE L'APPAREIL PAR
LE ROBINET D'ARRÊT PRINCIPAL ET COMMUNIQUER
AVEC LA COMPAGNIE DE GAZ LA PLUS PRÈS OU
AVEC LE FOURNISSEUR DE GAZ ATTIRÉ POUR
L'ENTRETIEN.

IMPORTANT

CE MANUEL A ÉTÉ PRÉPARÉ À L'INTENTION D'UN PERSONNEL QUALIFIÉ ET
AUTORISÉ À INSTALLER DES APPAREILS FONCTIONNANT AU GAZ ET À
EFFECTUER LE DÉMARRAGE INITIAL CHEZ LE CLIENT DE MÊME QUE LE RÉGLAGE
DES APPAREILS CONCERNÉS DANS CE MANUEL.
AFFICHER À UN ENDROIT VISIBLE LES PREMIERS SOINS À ADMINISTRER À TOUTE
PERSONNE AYANT RESPIRÉ LES GAZ QUE CET APPAREIL DÉGAGE. ON PEUT SE
PROCURER CES INFORMATIONS CHEZ LE FOURNISSEUR DE GAZ LE PLUS PRÈS.

MESURES DE SÉCURITÉ IMPORTANTES

Pour de plus amples détails concernant Vulcan-Hart ou pour repérer le détaillant de pièces et de service autorisé le plus près, visiter notre site Web à l'adresse : www.vulcanhart.com



VST4B ML-136590

MODELE

GRILLOIRS
AU GAZ

MODE D'INSTALLATION
ET MODE D'EMPLOI

VULCAN

Free Manuals Download Website

<http://myh66.com>

<http://usermanuals.us>

<http://www.somanuals.com>

<http://www.4manuals.cc>

<http://www.manual-lib.com>

<http://www.404manual.com>

<http://www.luxmanual.com>

<http://aubethermostatmanual.com>

Golf course search by state

<http://golfingnear.com>

Email search by domain

<http://emailbydomain.com>

Auto manuals search

<http://auto.somanuals.com>

TV manuals search

<http://tv.somanuals.com>