

VULCAN

**SERVICE & PARTS MANUAL FOR
ELECTRIC CONVECTION OVENS**

MODELS: ET8, ET8R, ETH8, ETH8R,
ET88, ET88R, ETH88, ETH88R,

ET10, ET10R, ETH10, ETH10R,
ET1010, ET101R, ETH101, ETH11R

(208/240, 480, 440, 220/380 VOLTS - ALL PHASES)



VULCAN-HART COMPANY, P.O. BOX 696 LOUISVILLE, KY 40201-0696, TEL. (502) 778-2791

FORM F-30519 Rev. B (10-91) (Formerly 115725)

Download from www.Somanuals.com. All Manuals Search And Download.

SERVICE AND PARTS MANUAL

ET8, ET10 SERIES ELECTRIC CONVECTION OVENS INDEX

PLEASE KEEP THIS MANUAL FOR FUTURE REFERENCE

Your Vulcan oven is produced with quality workmanship and material. Proper installation, usage and maintenance of your oven will result in many years of satisfactory

performance. The manufacturer suggests that you thoroughly read this entire manual and carefully follow all of the instructions provided.

DESCRIPTION	PAGE
INDEX	3
TROUBLESHOOTING GUIDE	4, 5
GENERAL SERVICE INFORMATION	6
PARTS DESCRIPTION AND REPLACEMENT	7-10
SWITCH PANEL	7, 8
MASTER SWITCH	7
OVEN INDICATOR LIGHT	7
THERMOSTAT	7
LOAD CONTROL INDICATOR LIGHT	8
LOAD CONTROL	8
TIMER (ONE- OR FIVE-HOUR MODELS)	8
AUXILIARY FAN SWITCH	8
OVEN LAMP SWITCH	8
BLOWER MOTOR	9
OVEN LIGHTS	9
OVEN HEATING ELEMENTS	9
DOOR SWITCH	9
POWER PANEL ASSEMBLY	10
CONTACTOR	10
RELAY	10
BUZZER	10
CIRCUIT BREAKER	10
TRANSFORMER	10
REPLACEMENT PARTS LIST	11-30

TROUBLESHOOTING GUIDE

WARNING: CERTAIN PROCEDURES IN THIS SECTION REQUIRE ELECTRICAL TESTS OR MEASUREMENTS WHILE POWER IS APPLIED TO THE MACHINE. EXERCISE EXTREME CAUTION AT ALL TIMES. IF TEST POINTS ARE NOT EASILY ACCESSIBLE, DISCONNECT POWER, ATTACH TEST EQUIPMENT, AND REAPPLY POWER TO TEST.

This section provides a guide for troubleshooting and covers some of the more common problems with the equipment. Servicing personnel need to become familiar with the circuit and the components in order to be able to also follow a logical sequence of troubleshooting and repair malfunctions not mentioned in the following paragraphs.

The instruments necessary for troubleshooting are:

A. A.C. Voltmeter to measure line voltages up to 480 volts.

- B. A.C. Ammeter to measure line currents up to 160 amps for 208 volt, 1-phase model.
- C. Accurate thermometer to measure oven temperature up to 500°F.

In the following paragraphs, the voltmeter is used to measure the voltage between 2 phases on 208, 240, 440, 480 volt and between 1-phase and neutral on 220/380 and 240/415 volt supplies. Do not measure the voltage to the chassis ground. For the sake of simplicity, when the measured voltage is referred to as 208 volt, it is assumed that the supply is 208 volt. When supply is 240 or 220, the measured voltage should also be 240 or 220. It is also assumed that the voltage rating of the oven matches exactly (within the allowable supply tolerance) that of the field supply. Refer to the appropriate wiring diagram.

With the main power and oven circuit breakers ON, the master switch turned to the ON position, and the oven door closed, the following conditions may occur:

PROBLEM	CORRECTION PROCEDURE
No blower. No heat.	<p>Depress oven light switch or turn timer knob to "0" position. If light comes on and buzzer sounds, follow Step B; if not, follow Step A.</p> <ul style="list-style-type: none"> A. Measure voltage between leads 42 and 48 of master switch. If 208 volts, measure voltage across 21 and 22. If 208 volts, check for bad connection to switch terminal. If no voltage, check for tripped 15-amp breaker or bad connection to the breaker. B. Turn load control to HI. If load control indicator light is lit, check blower or motor relay. If indicator light is not lit, depress auxiliary fan switch. If blower comes on, door switch needs to be adjusted (see PARTS DESCRIPTION AND REPLACEMENT in this manual). If not, check for proper connections to door switch on leads 12, 13, 14.
Blower is ON (with auxiliary fan switch de-energized), but no heat.	<p>Turn thermostat knob to about 350°F. If oven indicator light is lit, follow Step B; if not, follow Step A.</p> <ul style="list-style-type: none"> A. Measure voltage between the phases on load side of contactor. If 208 volts exist, check heating elements or connecting leads. If no voltage, check voltage on supply side of contactor. If 208 volts, contactor is bad. If no voltage, check main circuit breakers and supply voltage. B. Check voltage on contactor coil terminals. If 208 volts exist, but contactor does not pull in, contactor is bad. If no voltage, check voltage across terminals H1 and H2 of load control switch. If 208 volts, look for bad connection on leads 60 and 61. If no voltage, check load control switch.

PROBLEM	CORRECTION PROCEDURE
<p>Only one side of oven heats up. Oven heats up very slowly with no food in it.</p>	<p>Check oven circuit breaker and contactor leads going to the cool side. Check heating elements. Check for tripped breakers, supply voltage, contactor or heating elements. Compare amp reading on each phase lead with the expected nominal. They should match closely.</p>
<p>Oven heats up properly when empty, but as soon as food is put in it, temperature drops and oven never recovers.</p>	<p>Meals containing excessive moisture can cause temperature drop. Also, excess load can cause temperature drop. The K.W. rating of the oven may not be adequate to properly handle type or quantity of food in the oven. Remember that the larger the quantity of food, the higher the setting should be on the load control switch.</p>
<p>Oven temperature does not correspond with thermostat setting.</p>	<p>Place a temperature measuring device on center rack. Allow thermostat to cycle at least 3 times. If thermostat setting and thermometer reading do not correspond within $\pm 20^{\circ}\text{F}$, recalibrate thermostat as described in PARTS DESCRIPTION AND REPLACEMENT section in this manual.</p>
<p>Oven temperature keeps increasing beyond setting of thermostat.</p>	<p>If thermostat indicator light cycles on and off, check contactor (contacts welding). If thermostat light remains ON, check thermostat (contacts welding).</p>
<p>With master switch OFF, oven heats up.</p>	<p>Check contactor (contacts welded shut) or for shorted heating element to ground (the short could either be internally within the element or externally through the connecting leads of the elements).</p>
<p>Motor turns off and automatically comes back on after a few minutes.</p>	<p>The internal thermal protector of the motor is sensing a too high temperature which is caused by:</p> <ul style="list-style-type: none"> A. High current — check for clockwise rotation of shaft, for any binding on shaft of blower wheel (wheel should be rotated freely by a hand touch). If none of the above, check for problem with motor. B. High ambient — check for hot air leakage from inside oven to back through light or motor housings. Check to see if hot air is blowing on motor from adjacent equipment. Check for proper ventilation in the area. <p>NOTE: Occasionally the overcurrent affects the circuit breaker (15 amp breaker) before it does the thermal protector, and the circuit breaker will keep tripping to the OFF position.</p>

GENERAL SERVICE INFORMATION

WARNING: THE OVEN AND ITS PARTS ARE HOT. USE CARE WHEN OPERATING, CLEANING AND SERVICING THE OVEN.

Vulcan electric ovens are manufactured for use with the voltage specified by the rating plate which is mounted above the switch panel. All double stack oven rating plates list total K.W. rating for both ovens on each rating plate.

For installation procedures in the United States of America, refer to the National Electrical Code, ANSI/NFPA No. 70 (latest edition).

LOADING

Before loading, set the load control dial to the proper setting for product being cooked.

OPENING OVEN DOORS

WARNING: DO NOT STAND DIRECTLY IN FRONT OF THE OVEN WHILE OPENING THE OVEN DOOR. ALTHOUGH OPENING THE OVEN DOOR WILL AUTOMATICALLY SHUT THE FAN OFF, SOME HEAT ESCAPES. STEP AWAY TO AVOID HOT AIR.

Before opening oven doors, push auxiliary fan switch to OFF position.

BACK-UP THERMOSTAT

All ET10, ET10R, ET1010 and ET101R ovens employ a back-up thermostat. Should the primary thermostat fail, the back-up thermostat is set to open at 550°F and reclose when the oven temperature cools to 400°F.

CONVERTING ET8 OR ET8R OVENS TO ET88 OR ET88R

WARNING: DISCONNECT ELECTRICAL POWER SUPPLY AND PLACE A TAG AT THE DISCONNECT SWITCH TO INDICATE YOU ARE WORKING ON THE CIRCUIT.

ET8 and ET8R ovens (single section oven) are constructed similarly to the top section of ET88 and ET88R ovens. In order to convert an ET8 or ET8R to an ET88 or ET88R (double section) in the field, disconnect the electrical supply leads from the old oven and move the oven away. Locate the new oven (ET88 or ET88R, bottom section) in the desired location and mount the old ET8 or ET8R on top of the new oven, following installation instructions in the Installation and Operation Manual.

In 220/380 or 240/415 volt models, the oven operates on either 220 or 240 volts between the neutral and the phase leads; therefore, it is essential that the neutral wire, independent from grounding wire which is used to ground the oven frame, be included in the main supply leads.

PARTS DESCRIPTION AND REPLACEMENT

WARNING: DISCONNECT THE ELECTRICAL POWER SUPPLY AND PLACE A TAG AT THE DISCONNECT SWITCH TO INDICATE YOU ARE WORKING ON THE CIRCUIT.

SWITCH PANEL

In order to replace the components on the switch panel, first take off the protective back cover by removing the four screws on both sides that mount the cover to the switch panel. Reinstall the back cover after repair work is completed.

Master Switch

The master switch is the main ON-OFF D.P.S.T. (double-pole, single-throw) switch providing the supply voltage to the controls.

To replace, remove back cover from switch panel. Locate toggle switch from back of control panel. Note switch wire connections. Remove wire connections. Remove toggle switch holding nut from front of control panel. Pull switch through back of control panel. Install new switch and reassemble control panel.

Oven Indicator Light

Light ON indicates that the oven has not reached the thermostat dial setting and is calling for heat. Light OFF indicates that the set temperature has been

reached and that the heating elements are de-energized.

To replace, follow procedure described in MASTER SWITCH section above.

Thermostat

A S.P.S.T. (single-pole, single-throw) snap action switch controls the temperature of the oven from 200°F to 500°F. The normally closed contacts of the thermostat provide power to the coil of the heating element contactor as long as the heat is needed. Once the set temperature is reached, the contacts open, de-energizing the contactor coil.

To replace the thermostat, remove the thermostat bulb from its two retaining clips located in the right rear of the oven cavity, push the bulb and the capillary tube through the grommet in the cavity wall, remove the knob and the two mounting screws and pull the thermostat off the back of the panel.

For a calibration check, use a calibrated potentiometer with the thermocouple located in the center of the center rack. Set the dial to a mid-range temperature and allow the oven to cycle at least three times.

If measured temperature is outside of 20°F of the dial setting, remove the thermostat knob and recalibrate by turning screw "A" clockwise to decrease temperature or counterclockwise to increase temperature. A ¼ turn of screw "A" causes a temperature shift of 35°F (Fig. 1).

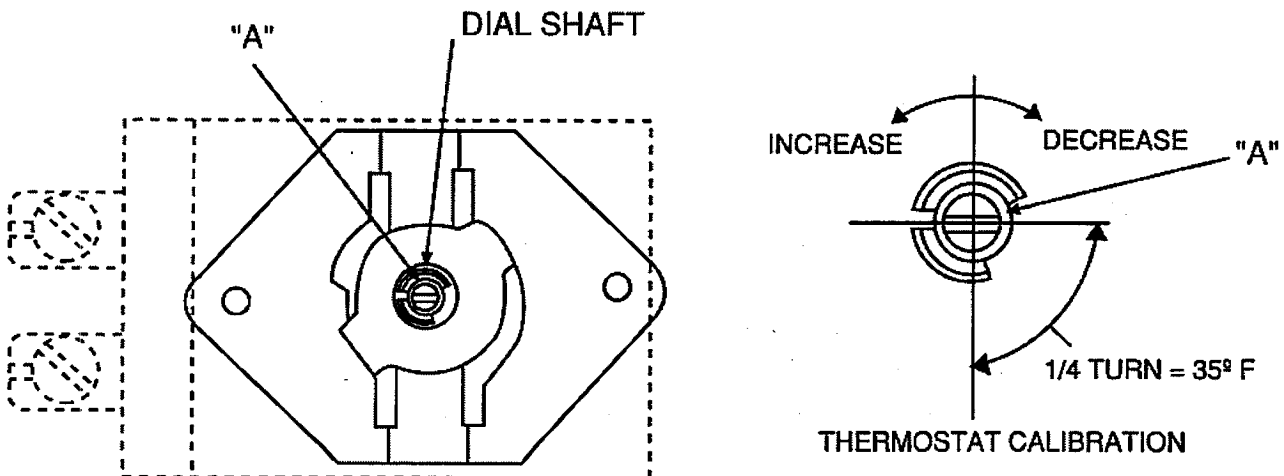


Fig. 1

PL-50119

Load Control Indicator Light

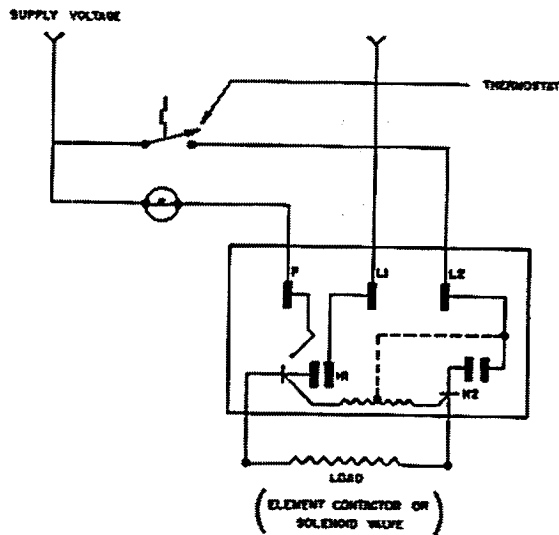
Similar to the Oven Indicator Light in construction, the light ON indicates that the load control switch is operating between the LO and HI positions. Unlike the Oven Indicator Light, this light remains ON even when the set temperature is reached.

Load Control

A D.P.S.T. cycling switch which varies, according to its setting, the percent on-time of the output as shown below:

DIAL SETTING	PERCENT ON-TIME
HI	100%
HI-	83%
MED+	72%
MED	60%
MED-	48%
LO+	37%
LO	27%
OFF	0%

The load control, as shown schematically (Fig. 2), is connected in series with the thermostat, thus providing a variable rate of temperature rise to reach the thermostat setting, as well as maintaining the final set temperature. Therefore, with load control set at LO, it will take much longer to reach a desired temperature than with a setting of HI. The cooking chart in the Installation and Operation Manual shows the necessary dial setting for different food products.



Schematic Load Control Connection
Fig. 2

To replace, remove the knob and the locknut. To reinstall, make sure the dimples on the face of the switch fall in the slot of the switch panel in order to prevent it from rotating.

Timer (One- or Five-Hour Models)

The normally open and common contacts of the electric timer are connected together, energizing the timer motor when the knob is set to the desired position. Once the timer completes its set interval (returns to the zero mark), the common terminal disconnects from the timer motor (shuts the motor off) and connects with the buzzer. The buzzer will continue to sound until the knob is manually turned to the HOLD position where all contacts are opened (timer motor and buzzer turned off). (Fig. 3)

To replace, remove the knob and the locknut. Reinstall same as the Load Control.

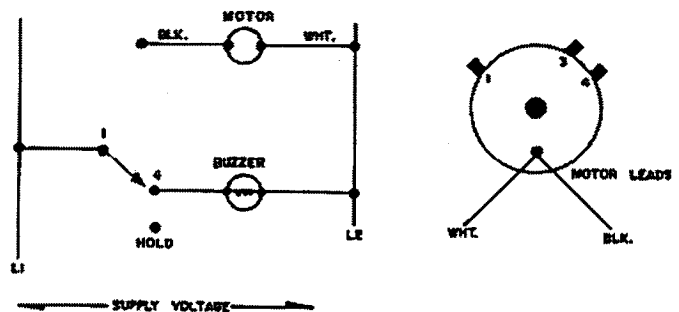
Auxiliary Fan Switch

A D.P.S.T. switch which, when depressed, energizes a relay which overrides the door interlock, allowing the blower to operate with the oven door opened.

To replace the switch, compress the spring clips on the top and bottom of the switch while forcing it out the front of the switch panel.

Oven Lamp Switch

Similar in construction to the Auxiliary Fan Switch. The switch turns on the two interior lights. To replace, follow the same procedure as for the Auxiliary Fan Switch.



Rear View Schematic Component
Fig. 3

BLOWER MOTOR

The blower motor has internal thermal protection, and its sealed bearings do not require any lubrication. The mounting of the blower assembly allows servicing from inside the oven as follows:

1. Remove fan cover.
2. Loosen set screw on the airotor with an Allen wrench.
3. Pull airotor forward off the motor shaft with a wheel puller.
4. Remove the four nuts holding the motor mounting plate.
5. Pull the motor assembly forward and reset it on cavity bottom.
6. Remove the junction box cover and the supply leads.
7. Reset the motor on its back. Remove the four flat head screws, lockwashers, nuts and spacers used to fasten the motor mounting plate to the motor.

The motor is suitable for connection of two different voltage supplies. Check the connection instruction inside the motor junction box cover to assure proper connection for the available voltage supply.

The direction of rotation is clockwise as viewed from in front of the oven. The 1-phase motors are internally designed for clockwise rotation. On 3-phase motors, interchange any two supply leads to convert counterclockwise to clockwise rotation.

8. Remove the two screws holding the side liner. Pull the liner backward and out.
9. Remove the element clamp covers holding the element to the oven side.
10. Remove the three screws holding the element bracket to the top.
11. Remove the element and the wires down from the top of the oven.
12. Remove the connecting supply lead.

OVEN LIGHTS

The two 50 watt, 120 volt bulbs are connected in series in these electric ovens.

To replace lamps, remove the four mounting bolts holding the lamp window assembly from the rear of the unit. Both the lamp, as well as the socket can now be serviced. Make sure the replacement lamp is of high temperature type and is not larger than 50 watts.

OVEN HEATING ELEMENTS

The three heating elements mounted on each side of the oven behind the perforated side liner can be serviced from inside the oven as follows:

1. Remove the two screws holding the liner. Pull the liner backward and out.
2. Remove the element clamp covers holding element to the oven side.
3. Remove the three screws holding the element bracket to the top.
4. Remove the element and the wires down from the top of the oven.

DOOR SWITCH

With the oven door closed, the normally open contact of the door switch is closed providing power to the element and motor controls. When the door opens, the normally open contact is de-energized, and the element contactor and the blower are turned off.

To adjust or replace the door switch, remove the two mounting screws on the underside of the top finishing piece. Depress the door catches up inside the top channel and pull the top finishing piece off.

The door switch is controlled by a cam-type device mounted to the top of the right hinge pin. The cam must actuate the door switch when the door is approximately 3" away from being closed.

To replace the door switch, remove the mounting screws on the door switch support bracket and remove the switch from the bracket.

POWER PANEL ASSEMBLY

Contactor

The 4-pole (208, 240 volt models) and 3-pole (220/380, 240/415 & 480 volt models) contactors, when energized by the thermostat and load control, provide power to the heating elements.

To replace, remove the two mounting screws and disconnect the leads.

Relay

The S.P.D.T. relay provides power to the blower motor (on units equipped with the auxiliary fan switch) in order to override the door interlock.

To replace, compress the spring clips on the top and bottom of the switch while forcing it out the front of the switch panel.

Buzzer

Signalled by the timer, the buzzer sounds when the preset time is completed.

To replace, cut both wires approximately 3" from the buzzer and strip the ends. Remove the bracket holding the buzzer. Install the new buzzer with its mounting bracket and lead, and connect the wires with wire nuts.

Circuit Breaker

The 15-amp circuit breakers (two breakers in 208, 240 volt, and one breaker in 220/380, 240/415 volt models) on the right side provide protection for the control circuit and the motor. The 50-amp breakers on the left are for protection of the heating elements. The circuit breakers have an internal time delay. They detect a short circuit or overload condition in the equipment and trip to the OFF position.

TRANSFORMER

The control transformer is used to step down the available supply voltage from 480 volts to 120 volts for the use of the control and oven light circuits. The jumper straps (or wires) are used to set up the input and output voltages to the required voltage. Fig. 4 is a schematic showing the connection used. In replacing the old transformer with the new one, take care to follow the required connection accurately.

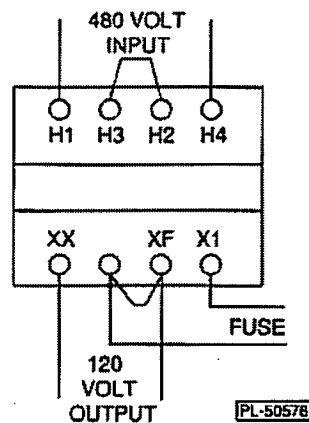


Fig. 4

REPLACEMENT PARTS LIST (All Electric Ovens)

REPLACEMENT PARTS ORDERING

The following information must accompany a replacement parts order or it cannot be filled.

- A. Model and style or serial number.
- B. Voltage and phase.
- C. Appliance finish, permafinish, stainless steel, etc. (if applicable to part to be replaced).

This information can be found on the rating plate of the oven.

Parts may be ordered from your dealer, service agency, or the factory.

Orders to the factory should be addressed as shown below. For further information concerning parts, ordering location, contact:

Vulcan-Hart Company
3600 North Point Blvd.
Baltimore, MD 21222.

ALL SERVICE PERSONNEL

**WHEN SERVICING THIS EQUIPMENT, USE ONLY
CONTROLS ORIGINALLY SUPPLIED ON THIS EQUIPMENT BY
VULCAN-HART COMPANY.**

DO NOT SUBSTITUTE.

**SUBSTITUTION OF CONTROLS AS STATED ABOVE
WILL AUTOMATICALLY VOID THIS WARRANTY
AND THE CERTIFICATION ASSOCIATED WITH THIS EQUIPMENT.**

PARTS LIST

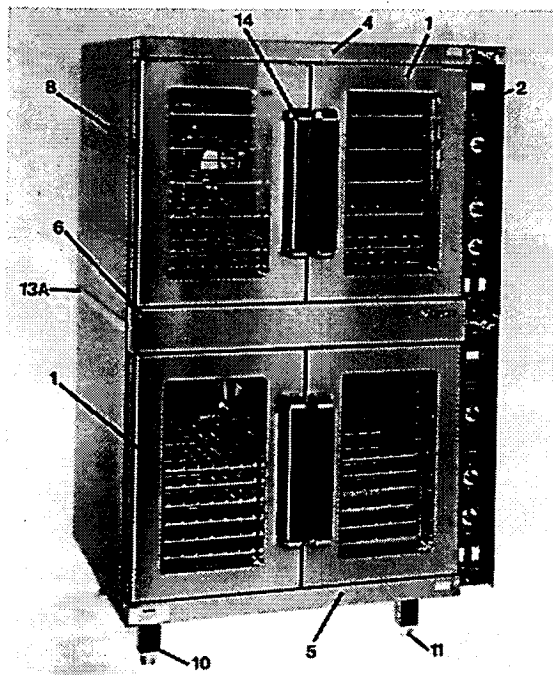
ALL UNITS OVERALL FRONT VIEW

ITEM NO.	QUANTITY	DESCRIPTION	ET10T	ET10B	ET1010T	ET1010B
			ET10RT ETH10T ETH10RT	ET10RB ETH10B ETH10RB	ETH101T ETH11RT	ETH101B ETH11RB
1	2	DOOR PANEL ASSY.	412606-G2	412606-G2	412606-G2	412606-G2
1A	2	DOOR PANEL LESS WINDOW (NS)	412605-4	412605-4	412605-4	412605-4
2	1	CONTROL PANEL ASSY.	412384-G1	412384-G1	412384-G1	412384-G1
4	1	TOP FINISHING PC.	411944-2	411944-2	411944-1	411944-2
5	1	BOTTOM FIN. PIECE	-	411945-1	-	411945-1
6	1	DUAL FINISHING PIECE	-	412403-1	-	412403-1
7	1	RIGHT BODY SIDE	-	-	-	-
7A	1	RT. BODY SIDE ASSY.	412404-G3	412404-G3	412404-G3	412404-G3
8	1	LT. BODY SIDE ASSY.	411929-G3	411929-G3	411929-G3	411929-G3
□ 9	1	LEG STAND ASSY. (REF.)	415302-G13	-	-	-
□ 10	4	LEG ASSEMBLY (NS)	-	411421-G1	-	411421-G1
□ 11	4	ADJUSTABLE FOOT	412681-1	-	-	-
12	1	BODY TOP ASSY.	412337-G5	412337-G5	412337-G5	412337-G5
□ 13	1	T MOULDING LT. HD. W/WINGS (NS)	-	414540-B3	-	414540-B3
□ 13A	1	T MOULDING LT. HD. L/WINGS	-	411533-13	-	411533-13
□ 13B	1	T MOULDING RT. HD. W/WINGS (NS)	-	411533-12	-	411533-12
□ 13C	1	T MOULDING RT. HD. L/WINGS (NS)	-	411533-14	-	411533-14
□ 14	2	DOOR HANDLE ASSEMBLY	413030-G1	413030-G1	413030-G1	413030-G1

NOTE: ALL QUANTITIES ARE LISTED PER SECTION.

□ = PART MAY BE REPLACED BY OTHER THAN SERVICE AGENCY.

NS = NOT SHOWN



PARTS LIST (Cont.)

ALL UNITS OVERALL FRONT VIEW

ITEM NO.	QUANTITY	DESCRIPTION	ET8T	ET8B		ET88B
			ET8RT	ET8RB	ET88T	ETH88B
			ETH8T	ETH8B	ETH88T	ETH88B
			ETH8RT	ETH8RB	ETH88RT	ETH88RB
1	2	DOOR PANEL ASSY.	412606-G2	412606-G2	412606-G2	412606-G2
1A	2	DOOR PANEL LESS WINDOW (NS)	412605-4	412605-4	412605-4	412605-4
2	1	CONTROL PANEL ASSY.	412384-G1	412384-G1	412384-G1	412384-G1
3	1	ELEC. CONN. BOX TOP ASSY.	-	-	-	-
4	1	TOP FINISHING PC.	411944-2	411944-2	411944-1	411944-2
5	1	BOTTOM FIN. PIECE	411945-1	411945-1	-	411945-1
6	1	DUAL FINISHING PIECE	-	412403-1	-	412403-1
7	1	RIGHT BODY SIDE	-	-	-	-
7A	1	RT. BODY SIDE ASSY.	412404-G1	412404-G1	412404-G1	412404-G1
8	1	LT. BODY SIDE ASSY.	411929-G1	411929-G1	411929-G1	411929-G1
<input type="checkbox"/> 9	1	LEG STAND ASSY. (REF.)	415302-G5	-	-	-
<input type="checkbox"/> 10	4	LEG ASSEMBLY (NS)	-	411421-G1	-	411421-G1
<input type="checkbox"/> 11	4	ADJUSTABLE FOOT	412681-1	-	-	-
12	1	BODY TOP ASSY.	412337-G1	412337-G1	412337-G1	412337-G1
<input type="checkbox"/> 13	1	T MOULDING LT. HD. W/WINGS (NS)	-	-	-	-
<input type="checkbox"/> 13A	1	T MOULDING LT. HD. L/WINGS	-	411533-5	-	411533-5
<input type="checkbox"/> 13B	1	T MOULDING RT. HD. W/WINGS (NS)	-	-	-	-
<input type="checkbox"/> 13C	1	T MOULDING RT. HD. L/WINGS (NS)	-	411533-6	-	411533-6
<input type="checkbox"/> 14	2	DOOR HANDLE ASSEMBLY	413030-G1	413030-G1	413030-G1	413030-G1

NOTE: ALL QUANTITIES ARE LISTED PER SECTION.

= PART MAY BE REPLACED BY OTHER THAN SERVICE AGENCY.

NS = NOT SHOWN

PICTURE SHOWN ON PAGE 12

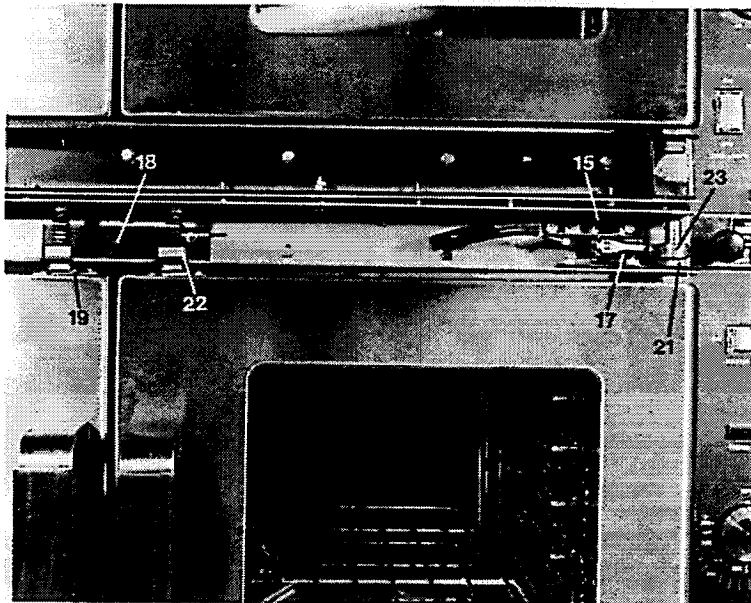
PARTS LIST (Cont.)

ALL UNITS OVERALL FRONT VIEW

ITEM NO.	QUANTITY	DESCRIPTION	ET10T	ET10B	ET1010T	ET1010B
			ET10RT	ET10RB	ETH101T	ETH101B
			ETH10T	ETH10B	ETH101T	ETH101B
			ETH10RT	ETH10RB	ETH11RT	ETH11RB
15	1	MICRO SWITCH SUPT.	410619-1	410619-1	410619-1	410619-1
16	2	INSULATION MICRO SWITCH (NS)	411365-1	411365-1	411365-1	411365-1
17	1	MICRO SWITCH	411496-F1	411496-F1	411496-F1	411496-F1
18	1	PLATE DOOR CATCH	411934-1	411934-1	411934-1	411934-1
19	2	DOOR STRIKE	411170-1	411170-1	411170-1	411170-1
20	2	COMPRESSION SPRING	417810-3	417810-3	417810-3	417810-3
21	4	HINGE PIN BEARING	404629-2	404629-2	404629-2	404629-2
22	2	DOOR CATCH	411794-1	411794-1	411794-1	411794-1
23	1	HINGE PIN COLLAR	415957-2	415957-2	415957-2	415957-2

ITEM NO.	QUANTITY	DESCRIPTION	ET8T	ET8B	ET88T	ET88B
			ET8RT	ET8RB	ETH88T	ETH88B
			ETH8T	ETH8B	ETH88T	ETH88B
			ETH8RT	ETH8RB	ETH88RT	ETH88RB
15	1	MICRO SWITCH SUPT.	410619-1	410619-1	410619-1	410619-1
16	2	INSULATION MICRO SWITCH (NS)	411365-1	411365-1	411365-1	411365-1
17	1	MICRO SWITCH	411496-F1	411496-F1	411496-F1	411496-F1
18	1	PLATE DOOR CATCH	411934-1	411934-1	411934-1	411934-1
19	2	DOOR STRIKE	411170-1	411170-1	411170-1	411170-1
20	2	COMPRESSION SPRING	417810-3	417810-3	417810-3	417810-3
21	4	HINGE PIN BEARING	404629-2	404629-2	404629-2	404629-2
22	2	DOOR CATCH	411794-1	411794-1	411794-1	411794-1
23	1	HINGE PIN COLLAR	415957-2	415957-2	415957-2	415957-2

NOTE: ALL QUANTITIES ARE LISTED PER SECTION



PARTS LIST (Cont.)

ALL UNITS OVEN CAVITY SHOWN WITH OVEN LIGHTS

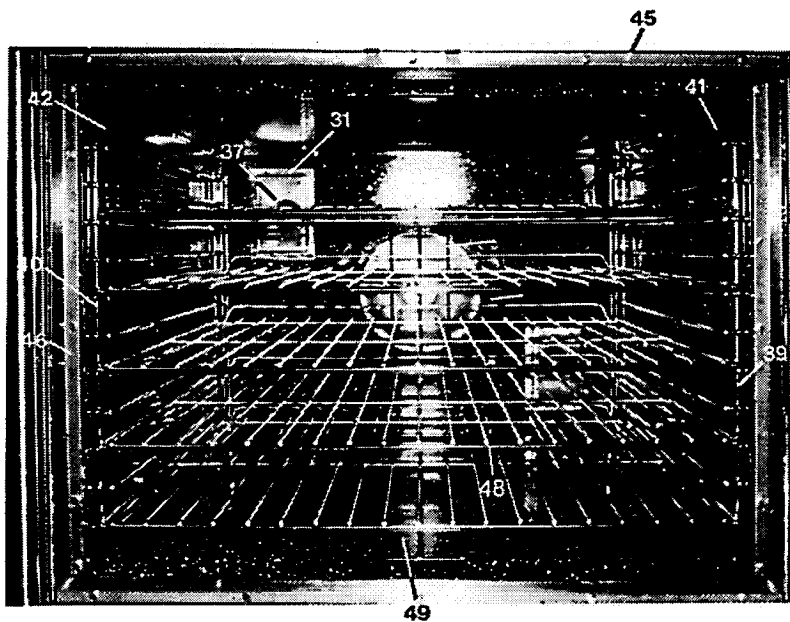
ITEM NO.	QUANTITY	DESCRIPTION	ET10T	ET10B		
			ET10RT	ET10RB	ET1010T	ET1010B
			ETH10T	ETH10B	ETH101T	ETH101B
			ETH10RT	ETH10RB	ETH11RT	ETH11RB
31	2	LAMP BOX ASSY.	411394-G1	411394-G1	411394-G1	411394-G1
36	2	BULB FROSTED (50W 125V) G.E. (NS)	BL 8-14	BL 8-14	BL 8-14	BL 8-14
37	2	LAMP WINDOW ASSY.	411175-G1	411175-G1	411175-G1	411175-G1
39	1	RACK SUPPORT, RT. HD.	415428-3	415428-3	415428-3	415428-3
40	1	RACK SUPPORT, LT. HD.	415428-4	415428-4	415428-4	415428-4
41	1	RT. HD. SIDE LINING (PERFORATED)	412697-5	412697-5	412697-5	412697-5
42	1	LT. HD. SIDE LINING (PERFORATED)	412697-6	412697-6	412697-6	412697-6
43	1	FAN COVER ASSY.	411136-G2	411136-G2	411136-G2	411136-G2
44	1	AIR ROTOR CC 3/4" BORE	415780-3	415780-3	415780-3	415780-3
45	2	DOOR GASKET SEAL TOP & BOT. (NS)	415670-G1	415670-G1	415670-G1	415670-G1
46	2	DOOR GASKET SEAL SIDES (NS)	415669-G1	415669-G1	415669-G1	415669-G1
47	1	DOOR GASKET (OLD STYLE BEFORE 3/85)	411688-1	411688-1	411688-1	411688-1
48	5	OVEN RACK	411265-1	411265-1	411265-1	411265-1
49	1	OVEN CAVITY	411326-G6	411326-G6	411326-G6	411326-G6

NOTE: ALL QUANTITIES ARE LISTED PER SECTION.

□ = PART MAY BE REPLACED BY OTHER THAN SERVICE AGENCY.

NS = NOT SHOWN

NOTE: PHOTO SHOWS OLD STYLE DOOR GASKET.



PARTS LIST (Cont.)

ALL UNITS OVEN CAVITY SHOWN WITH OVEN LIGHTS

ITEM NO.	QUANTITY	DESCRIPTION	ET8T	ET8B		
			ET8RT	ET8RB	ET88T	ET88B
			ETH8T	ETH8B	ETH88T	ETH88B
			ETH8RT	ETH8RB	ETH88RT	ETH88RB
31	2	LAMP BOX ASSY.	411394-G1	411394-G1	411394-G1	411394-G1
36	2	BULB FROSTED (50W 125V) G.E.	BL 8-14	BL 8-14	BL 8-14	BL 8-14
37	2	LAMP WINDOW ASSY.	411175-G1	411175-G1	411175-G1	411175-G1
39A	1	RACK SUPPORT, RT. HD.	415428-1	415428-1	415428-1	415428-1
40A	1	RACK SUPPORT, LT. HD.	415428-2	415428-2	415428-2	415428-2
41A	1	RT. HD. SIDE LINING (PERFORATED)	412697-1	412697-1	412697-1	412697-1
42A	1	LT. HD. SIDE LINING (PERFORATED)	412697-2	412697-2	412697-2	412697-2
43	1	FAN COVER ASSY.	411136-G2	411136-G2	411136-G2	411136-G2
44	1	AIROTOR CC ½" BORE	415780-3	415780-3	415780-3	415780-3
45	2	DOOR GASKET SEAL TOP & BOT. (NS)	415670-G1	415670-G1	415670-G1	415670-G1
46	2	DOOR GASKET SEAL SIDES (NS)	415669-G1	415669-G1	415669-G1	415669-G1
47	1	DOOR GASKET (OLD STYLE BEFORE 2/85)	411688-1	411688-1	411688-1	411688-1
48	5	OVEN RACK	411265-5	411265-5	411265-5	411265-5
49	1	OVEN CAVITY	411326-G10	411326-G10	411326-G10	411326-G10

NOTE: ALL QUANTITIES ARE LISTED PER SECTION.

□ = PART MAY BE REPLACED BY OTHER THAN SERVICE AGENCY.

NS = NOT SHOWN

PICTURE SHOWN ON PAGE 15

PARTS LIST (Cont.)

ALL UNITS LAMP BOX ASSEMBLY

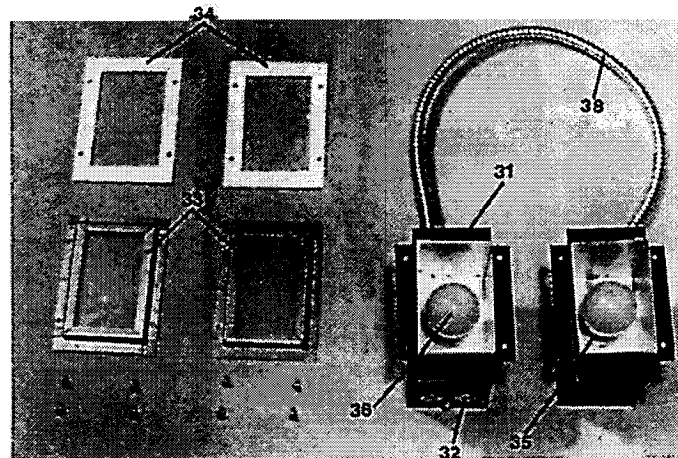
ITEM NO.	QUANTITY	DESCRIPTION	ET10T	ET10B		
			ET10RT	ET10RB	ET1010T	ET1010B
			ETH10T	ETH10B	ETH101T	ETH101B
			ETH10RT	ETH10RB	ETH11RT	ETH11RB
31	2	LAMP BOX ASSY.	411394-G1	411394-G1	411394-G1	411394-G1
□ 32	1	PLUG BUTTON	417837-1	417837-1	417837-1	417837-1
33	2	LAMP BOX HOUSING ASSY.	411395-G2	411395-G2	411395-G2	411395-G2
34	2	LAMP BOX GASKET	405928-34	405928-34	405928-34	405928-34
35	2	LAMP SOCKET	417814-1	417814-1	417814-1	417814-1
□ 36	2	BULB FROSTED (50W 125V) G.E.	BL 8-14	BL 8-14	BL 8-14	BL 8-14
37	2	LAMP WINDOW ASSY.	411175-G1	411175-G1	411175-G1	411175-G1
38	2	LAMP BOX CONDUIT 35" LONG	414540-B35	414540-B35	414540-B35	414540-B35

ITEM NO.	QUANTITY	DESCRIPTION	ET8T	ET8B		
			ET8RT	ET8RB	ET88T	ET88B
			ETH8T	ETH8B	ETH88T	ETH88B
			ETH8RT	ETH8RB	ETH88RT	ETH88RB
31	2	LAMP BOX ASSY.	411394-G1	411394-G1	411394-G1	411394-G1
□ 32	1	PLUG BUTTON	417837-1	417837-1	417837-1	417837-1
33	2	LAMP BOX HOUSING ASSY.	411395-G1	411395-G1	411395-G1	411395-G1
34	2	LAMP BOX GASKET	405928-34	405928-34	405928-34	405928-34
35	2	LAMP SOCKET	417814-1	417814-1	417814-1	417814-1
□ 36	2	BULB FROSTED (50W 125V) G.E.	BL 8-14	BL 8-14	BL 8-14	BL 8-14
37	2	LAMP WINDOW ASSY.	411175-G1	411175-G1	411175-G1	411175-G1
38	2	LAMP BOX CONDUIT 35" LONG	414540-B35	414540-B35	414540-B35	414540-B35

NOTE: ALL QUANTITIES ARE LISTED PER SECTION.

□ = PART MAY BE REPLACED BY OTHER THAN SERVICE AGENCY.

NS = NOT SHOWN



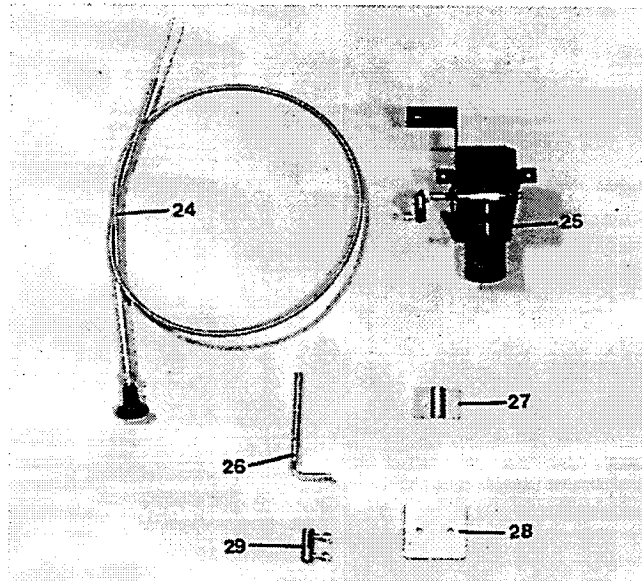
PARTS LIST (Cont.)

ALL UNITS – DAMPER CONTROL

ITEM NO.	QUANTITY	DESCRIPTION	ET10T	ET10B	ET1010T	ET1010B
			ET10RT	ET10RB	ETH101T	ETH101B
			ETH10T	ETH10B	ETH11RT	ETH11RB
24	1	DAMPER CONTROL PUSH-PULL	412620-3	412620-3	412620-3	412620-3
25	1	VENT STACK ASSY.	412641-G2	412641-G2	412641-G1	412641-G1
26	1	VENT ACTUATOR	413535-1	413535-1	413535-1	413535-1
27	1	DAMPER CLAMP	407550-1	407550-1	407550-1	407550-1
28	1	VENT CLOSURE	411211-1	411211-1	411211-1	411211-1
29	1	CONTROL WIRE SOCKET	411859-1	411859-1	411859-1	411859-1
30	1	CABLE CLIP (BOWDEN)	417855-1	417855-1	417855-1	417855-1

ITEM NO.	QUANTITY	DESCRIPTION	ET8T	ET8B	ET88T	ET88B
			ET8RT	ET8RB	ETH88T	ETH88B
			ETH8T	ETH8B	ETH88RT	ETH88RB
24	1	DAMPER CONTROL PUSH-PULL	412620-1	412620-1	412620-1	412620-1
25	1	VENT STACK ASSY.	412641-G2	412641-G2	412641-G2	412641-G2
26	1	VENT ACTUATOR	413535-1	413535-1	413535-1	413535-1
27	1	DAMPER CLAMP	407550-1	407550-1	407550-1	407550-1
28	1	VENT CLOSURE	411211-1	411211-1	411211-1	411211-1
29	1	CONTROL WIRE SOCKET	411859-1	411859-1	411859-1	411859-1
30	1	CABLE CLIP (BOWDEN)	417855-1	417855-1	417855-1	417855-1

NOTE: ALL QUANTITIES ARE LISTED PER SECTION.

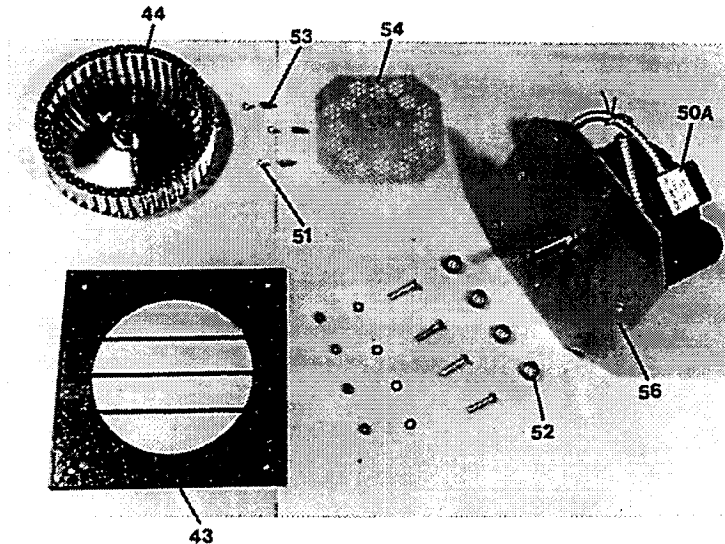


PARTS LIST (Cont.)

BLOWER MOTOR ASSEMBLY – ALL UNITS ALL VOLTAGES (EXCEPT ROAST & HOLD)

ITEM NO.	QUANTITY	DESCRIPTION	ET10T	ET10B	ET1010T	ETH101B
			ET10RT	ET10RB	ET101RT	ET101RB
50	1	MOTOR ¼ HP, 60 CY, 1 PH, 115/380V (NS)	411205-4	411205-4	411205-4	411205-4
50A	1	MOTOR ¼ HP, 2-SPEED 208-240V, 1 PH (NS)	411205-10	411205-10	411205-10	411205-10
50B	1	MOTOR ¼ HP, 1 PH	411205-1	411205-1	411205-1	411205-1
50C	1	MOTOR ¼ HP, 3 PH, 480V, 220/440V (NS)	411205-8	411205-8	411205-8	411205-8
50D	1	MOTOR ¼ HP, 1 PH, 50 HZ 220/380V, 240/415V (NS)	411205-7	411205-7	411205-7	411205-7
50E	1	MOTOR ¼ HP, 2-SPEED 480V, 3 PH (NS)	411205-12	411205-12	411205-12	411205-12
51	4	HEX HEAD SCREW ¼"	402085-28	402085-28	402085-28	402085-28
52	4	MOTOR SPACER ¼" TUBE X ¼" LG.	412630-1	412630-1	412630-1	412630-1
53	3	MOTOR SPACER ⅝" HEX HEAD ¼" LG.	413930-1	413930-1	413930-1	413930-1
44	1	AIRTOR ¼" BASE	415780-3	415780-3	415780-3	415780-3
54	1	MOTOR COVER REAR	413863-1	413863-1	413863-1	413863-1
55	1	MOTOR SUPT. ASSY.	412946-G1	412946-G1	412946-G1	412946-G1
56	1	MOTOR MOUNT	412629-1	412629-1	412629-1	412629-1
57	4	PIPE SPACER ¼"	411289-1	411289-1	411289-1	411289-1
43	1	FAN COVER ASSY.	411136-G2	411136-G2	411136-G2	411136-G2

NS = NOT SHOWN



PARTS LIST (Cont.)

BLOWER MOTOR ASSEMBLY – ALL UNITS AND VOLTAGES (EXCEPT ROAST & HOLD)

ITEM NO.	QUANTITY	DESCRIPTION	ET8T	ET8B	ET88T	ETH88B
			ET8RT	ET8RB	ET88RT	ET88RB
50	1	MOTOR ½ HP, 60 CY, 1 PH, 115/380V (NS)	411205-5	411205-5	411205-5	411205-5
50A	1	MOTOR ¾ HP, 2-SPEED 208-240V, 1 PH (NS)	411205-10	411205-10	411205-10	411205-10
50B	1	MOTOR ¾ HP, 1 PH	411205-1	411205-1	411205-1	411205-1
50C	1	MOTOR ¾ HP, 3 PH, 480V, 220/440V (NS)	411205-8	411205-8	411205-8	411205-8
50D	1	MOTOR ¾ HP, 1 PH, 50 HZ, 220/380V, 240/415V (NS)	411205-7	411205-7	411205-7	411205-7
50E	1	MOTOR ¾ HP, 2-SPEED 480V, 3 PH (NS)	411205-12	411205-12	411205-12	411205-12
51	4	HEX HEAD SCREW ⅜"	402085-28	402085-28	402085-28	402085-28
52	4	MOTOR SPACER ⅜" TUBE X ⅜" LG.	412630-1	412630-1	412630-1	412630-1
53	3	MOTOR SPACER ⅜" HEX HEAD ⅜" LG.	413930-1	413930-1	413930-1	413930-1
44	1	AIROTOR ⅜" BASE	415780-3	415780-3	415780-3	415780-3
54	1	MOTOR COVER REAR	413863-1	413863-1	413863-1	413863-1
55	1	MOTOR SUPT. ASSY.	412946-G1	412946-G1	412946-G1	412946-G1
56	1	MOTOR MOUNT	412629-1	412629-1	412629-1	412629-1
57	4	PIPE SPACER ⅜"	411289-1	411289-1	411289-1	411289-1
43	1	FAN COVER ASSY.	411136-G2	411136-G2	411136-G2	411136-G2

NOTE: ALL QUANTITIES ARE LISTED PER SECTION

NS = NOT SHOWN

PICTURE SHOWN ON PAGE 19

PARTS LIST (Cont.)

ELEMENTS, ALL UNITS, ALL VOLTAGES

ITEM NO.	QUANTITY	DESCRIPTION	ET10R ET8 ET8R				
			ET101R	ET88	ET88R		
			ET1010	ETH10R	ETH8	ETH8R	
			ETH1010	ETH11R	ETH88	ETH88R	
			T&B UNITS	T&B UNITS	T&B UNITS	T&B UNITS	
57	6	ELEMENT 208V	-	-	411861-4	-	
57A	6	ELEMENT 240V	-	-	411861-5	-	SELECT FOR
57B	6	ELEMENT 480V	-	-	411861-6	-	STANDARD UNITS
57	2	ELEMENT 208V	-	-	-	411861-4	SELECT FOR RECON
57A	2	ELEMENT 240V	-	-	-	411861-5	UNITS
57B	2	ELEMENT 480V	-	-	-	411861-6	
58	4	ELEMENT 208V	-	-	-	411861-1	
58A	4	ELEMENT 240V	-	-	-	411861-2	
58B	4	ELEMENT 480V	-	-	-	411861-3	
57	6	ELEMENT 208V	411861-4	-	-	-	SELECT FOR
57A	6	ELEMENT 240V	411861-5	-	-	-	STANDARD UNITS
57B	6	ELEMENT 480V	411861-6	-	-	-	
58	6	ELEMENT 208V	-	411861-1	-	-	SELECT FOR RECON
58A	6	ELEMENT 240V	-	411861-2	-	-	UNITS
58B	6	ELEMENT 480V	-	411861-3	-	-	
<input type="checkbox"/> 59	12	BRACKET, ELEMENT CLAMP	412636-1	412636-1	412636-1	412636-1	
<input type="checkbox"/> 60	12	CLAMP	412636-2	412636-2	412636-2	412636-2	

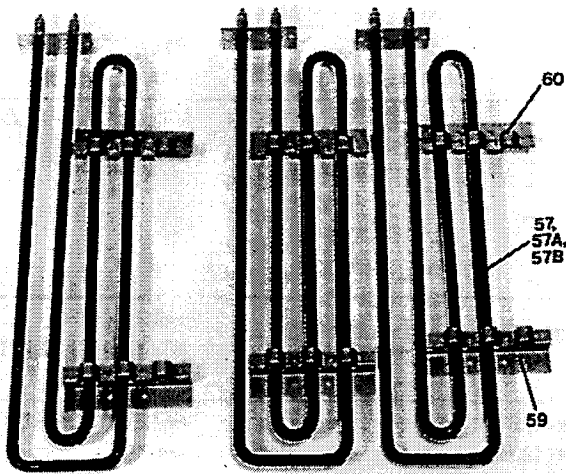
NOTE: ALL QUANTITIES ARE LISTED PER SECTION

NS = NOT SHOWN

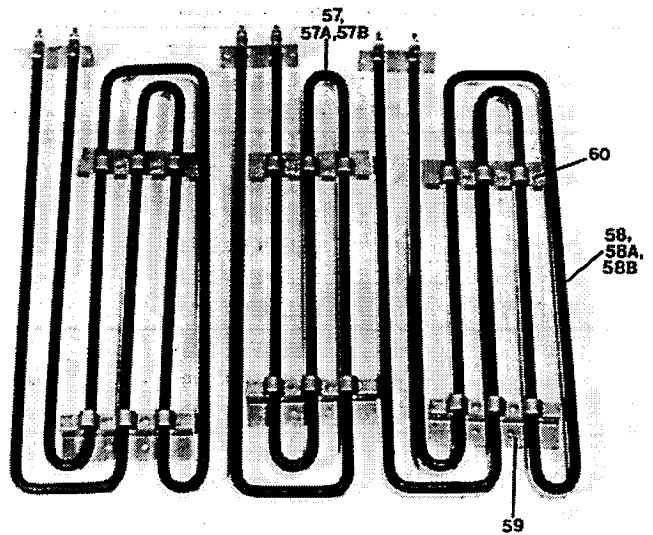
= PART MAY BE REPLACED BY OTHER THAN SERVICE AGENCY.

PARTS LIST (Cont.)

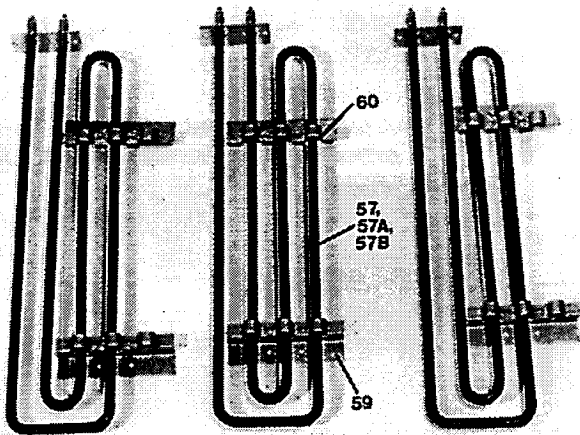
ELEMENTS, ALL UNITS, ALL VOLTAGES



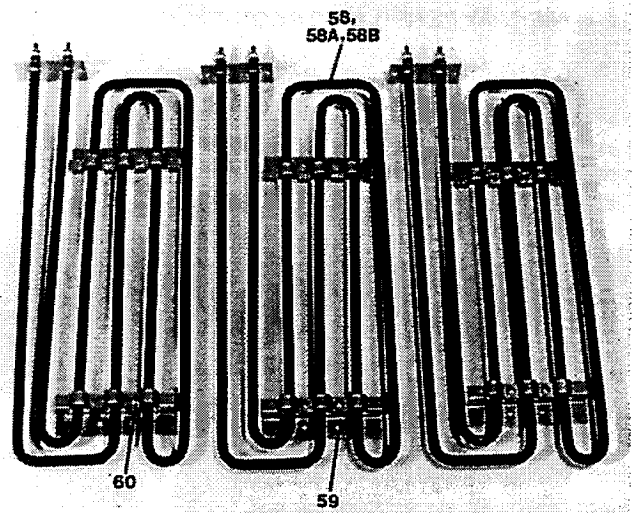
ET8, ET88, ETH8, ETH88
T & B UNITS



ET8R, ETH8R, ET88R, ETH88R
T & B RECON OVEN



ET10, ET1010, ETH10, ETH101
T & B UNITS



ET10R, ETH10R, ET101R, ETH11R
T & B RECON OVEN

PARTS LIST (Cont.)

CONTROL PANEL ASSEMBLY 208/240, 480, 220/380 VOLT

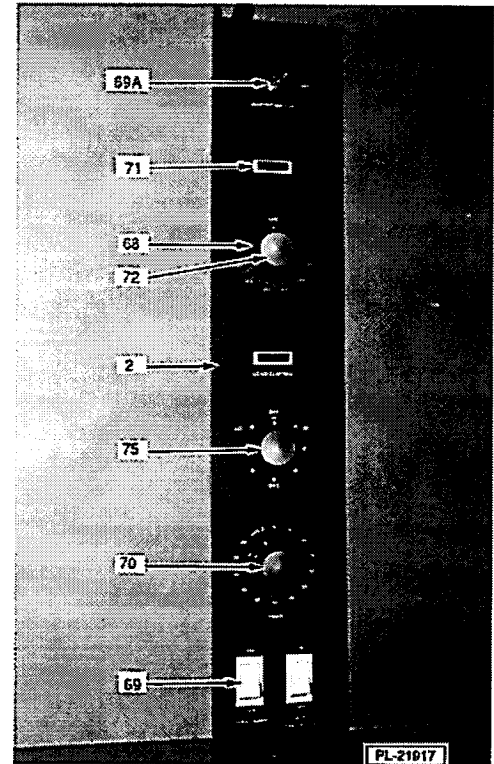
ITEM NO.	QUANTITY	DESCRIPTION	ET1010 ET88 ET101R ET88R T & B UNITS	
2	1	CONTROL PANEL ASSEMBLY	412384-G1	
86	1	CONTROL PANEL MYLAR	412450-1	SELECT
87	1	CONTROL PANEL MYLAR (LESS LIGHTS & FAN SWITCH) (NS)	411903-4	
69	2	ROCKER SWITCH	411496-B1	
69A	1	TOGGLE SWITCH	411496-A7	
68	1	THERMOSTAT	411505-3	
□ 72	3	CONTROL KNOB	411242-1	
71	2	SIGNAL LIGHT	411496-E4	
70	1	TIMER 1 HR.	411690-2	SELECT
70A	1	TIMER 5 HR. (NS)	411690-4	208/240V
70B	1	TIMER 1 HR. (NS)	411690-1	SELECT
70C	1	TIMER 5 HR. (NS)	411690-3	480V
70D	1	TIMER 1 HR. (NS)	411690-5	SELECT
70E	1	TIMER 5 HR. (NS)	411690-6	220/380V
75	1	INFINITE SWITCH 240 & 220/380V	411503-2	
75A	1	INFINITE SWITCH 208V (NS)	411503-3	SELECT
75B	1	INFINITE SWITCH 120V (NS)	411503-1	

NOTE: ALL QUANTITIES ARE LISTED PER SECTION

NOTE: FOR LESS LIGHTS, AUXILIARY FAN UNITS, DELETE (2) ROCKER SWITCHES 411496-B1, ITEM NUMBER 69 FROM ABOVE LISTING.

□ = MAY BE INSTALLED BY OTHER THAN SERVICE AGENCY

NS = NOT SHOWN



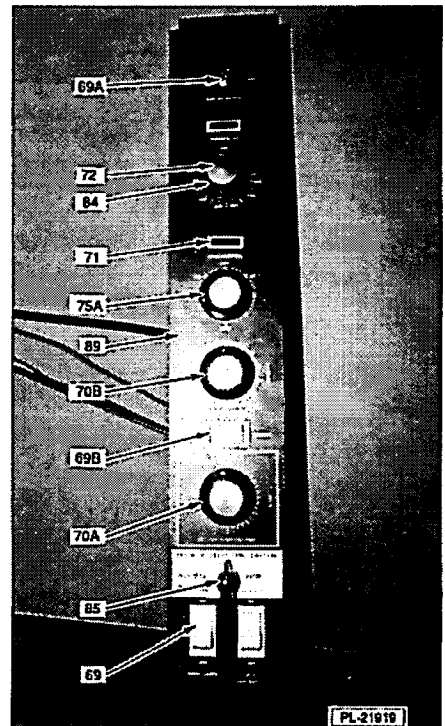
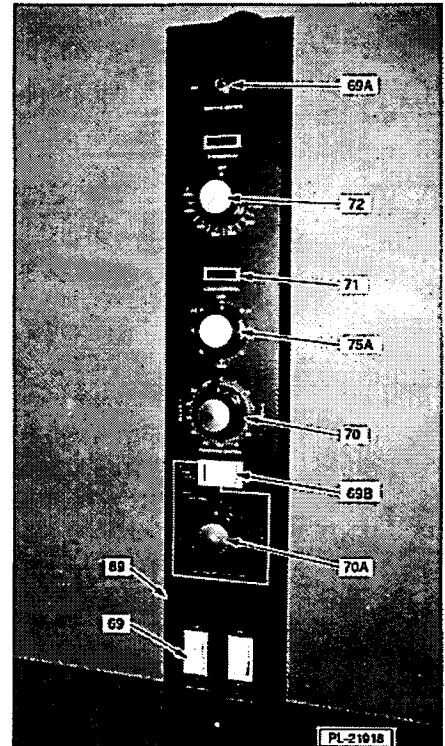
PARTS LIST (Cont.)

CONTROL PANEL ASSEMBLY 208/240, 480, ROAST & HOLD

ITEM NO.	QUANTITY	DESCRIPTION	ETH101 ETH88 ETH11R ETH88R T & B UNITS	
88	1	CONTROL PANEL ASSEMBLY	413939-G1	
89	1	CONTROL PANEL MYLAR	413931-1	SELECT
89A	1	CONTROL PANEL MYLAR (LESS LIGHTS & FAN SWITCH) (NS)	413931-2	
69	2	ROCKER SWITCH	411496-B1	
69A	1	TOGGLE SWITCH	411496-A7	
68	1	THERMOSTAT	411506-3	
84	1	THERMOSTAT R & H	413764-1	
72	4	CONTROL KNOB	411242-1	
71	2	SIGNAL LIGHT	411496-E4	
70	1	TIMER 1 HR.	411690-2	SELECT
70A	1	TIMER 5 HR. (NS)	411690-4	208/240V
70B	1	TIMER 1 HR. (NS)	411690-1	SELECT
70C	1	TIMER 5 HR. (NS)	411690-3	480V
70F	1	TIMER 12 HR. (NS)	411690-7	
75A	1	INFINITE SWITCH 208V	411503-3	
75B	1	INFINITE SWITCH 120V (NS)	411503-1	
83A	1	TIMER 12 HR. DECAL (NS)	414294-1	
69B	1	ROCKER SWITCH D.P.D.T.	411496-B2	
91	1	THERMOSTAT MOUNTING BRACKET (NS)	414036-1	
85	1	ROTARY SELECTOR SWITCH (480V ONLY)	411496-C2	

NOTE: ALL QUANTITIES ARE LISTED PER SECTION

NOTE: FOR LESS LIGHTS, AUXILIARY FAN UNITS, DELETE (2) ROCKER SWITCHES 411496-B1, ITEM NUMBER ~~69~~ FROM ABOVE LISTING.

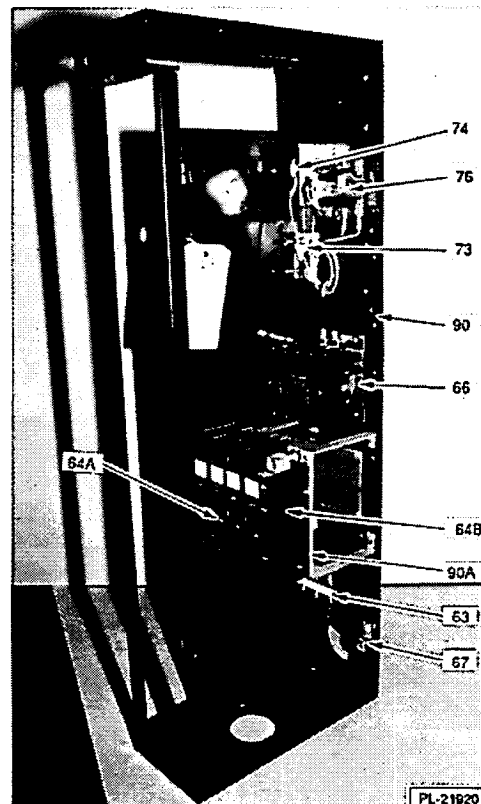


PARTS LIST (Cont.)

ELEC. CONN. BOX ASSEMBLY 208/240 VOLT

ITEM NO.	QUANTITY	DESCRIPTION	T & B UNITS	
90	1	CONTROL MOUNTING PLATE ASSY.	414657-G1	
90A	1	BREAKER STOOL	417901-1	
92	1	CONTROL PANEL ASSY. (NS)	412384-G1	
67	1	GROUND LUG	420011	
63	1	TERMINAL BLOCK	410472-8	
64A	2	BREAKER (50 AMP)	411501-13	
64B	2	BREAKER (15 AMP)	411501-14	
66	1	CONTACTOR	411497-D3	
73	1	PORCELAIN BLOCK	414881-1	
74	1	BUZZER (240V)	411499-1	
76	1	RELAY 240 COIL	411497-A2	
70	1	TIMER 1 HOUR (NS)	411690-2	SELECT
70A	1	TIMER 5 HOUR (NS)	411690-4	

NOTE: ALL QUANTITIES ARE LISTED PER SECTION
NS = NOT SHOWN



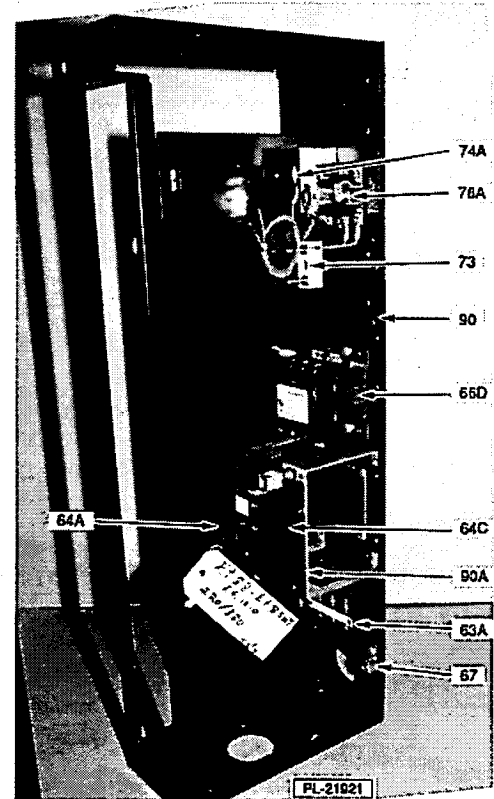
PARTS LIST (Cont.)

ELEC. CONN. BOX ASSEMBLY 220/380 VOLT 50 HZ

ET1010
ET88
ET101R
ET88R
T & B UNITS

ITEM NO.	QUANTITY	DESCRIPTION	T & B UNITS	
90	1	CONTROL MOUNTING PLATE ASSY.	414657-G1	
90A	1	BREAKER STOOL	417901-1	
88	1	CONTROL PANEL ASSEMBY. (NS)	412384-G1	
67	1	GROUND LUG	420011	
63	1	TERMINAL BLOCK	410472-8	
63A	1	TERMINAL BLOCK	410472-9	
66D	1	CONTACTOR 230V 3-POLE	411497-C5	
73	1	PORCELAIN BLOCK (NS)	414881-1	
74A	1	BUZZER	411499-2	
76A	1	RELAY	411497-A1	
64A	1	CIRCUIT BREAKER 50A, 3-POLE	411501-13	
64C	1	CIRCUIT BREAKER 15A	411501-7	
70D	1	TIMER 1 HOUR	411690-5	SELECT
70E	1	TIMER 5 HOUR	411690-6	

NOTE: ALL QUANTITIES ARE LISTED PER SECTION
NS = NOT SHOWN

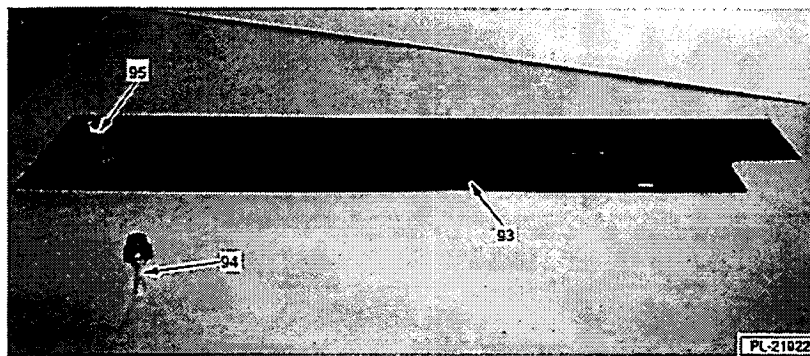


PARTS LIST (Cont.)

ELEC. CONN. BOX ASSEMBLY 480 VOLT

ITEM NO.	QUANTITY	DESCRIPTION	T & B UNITS
93	1	BREAKER COVER	412581-2
94	1	FUSE (3A)	FE-017-47
95	1	FUSE HOLDER	FE-23-019

ET1010
ET88
ET101R
ET86R

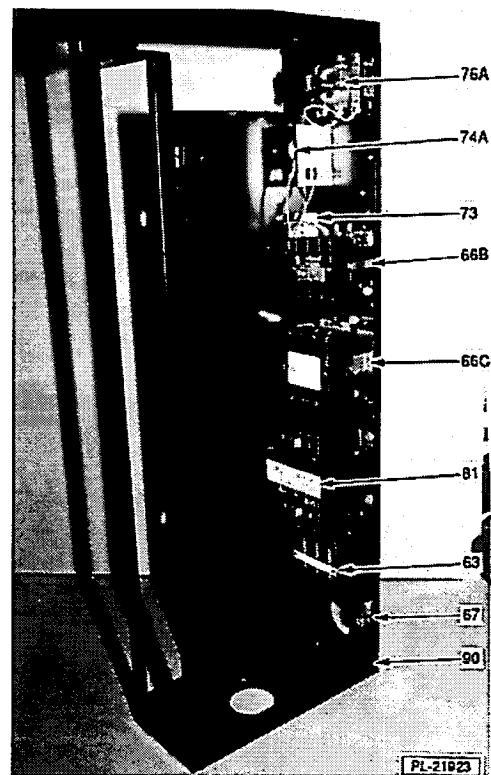


PARTS LIST (Cont.)

ELEC. CONN. BOX ASSEMBLY 480 VOLT

ITEM NO.	QUANTITY	DESCRIPTION	T & B UNITS	
90	1	CONTROL MOUNTING PLATE ASSY.	414657-G1	
92	1	CONTROL PANEL ASSY. (NS)	412384-G1	
67	1	GROUND LUG	420011	
63	1	TERMINAL BLOCK	410472-8	
66C	1	CONTACTOR 3 POLE 120V (HEATER)	411497-C3	
73	1	PORCELAIN BLOCK	414881-1	
74A	1	BUZZER (120V)	411499-2	
76A	1	RELAY (115V) COIL	411497-A1	
81	1	TRANSFORMER (150VA)	411500-9	
66B	1	CONTACTOR MOTOR (115V) COIL	411497-C1	
70B	1	TIMER 1 HOUR (NS)	411690-1	SELECT
70C	1	TIMER 5 HOUR (NS)	411690-3	

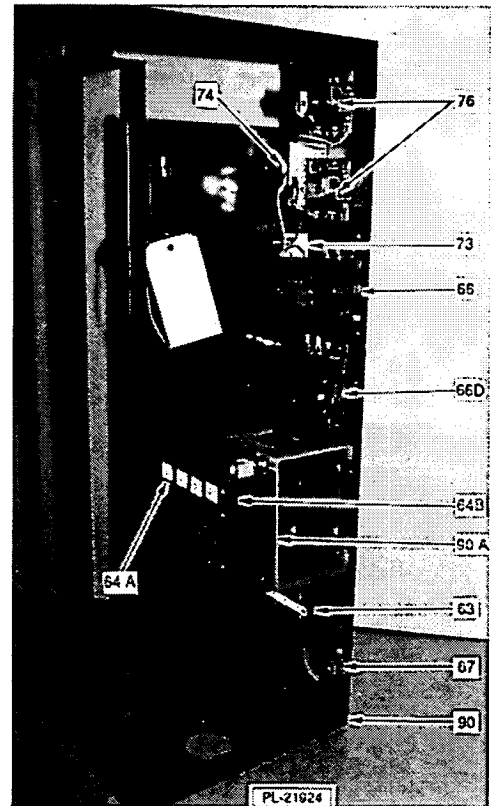
NOTE: ALL QUANTITIES ARE LISTED PER SECTION
NS = NOT SHOWN



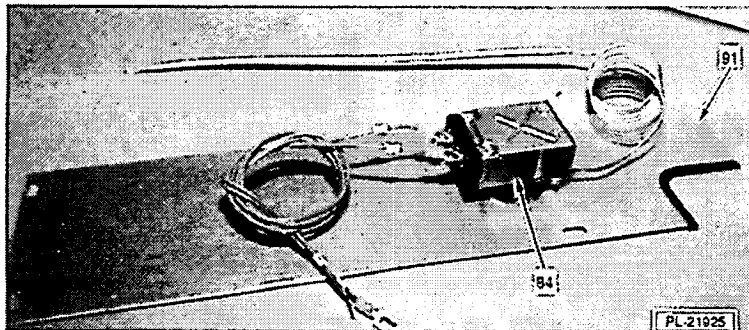
PARTS LIST (Cont.)

ELEC. CONN. BOX ASSEMBLY 208/240 VOLT 3 PHASE R & H

ITEM NO.	QUANTITY	DESCRIPTION	T & B UNITS	
			ETH101	
			ETH88	
			ETH11R	
			ETH88R	
90	1	CONTROL MOUNTING PLATE ASSY.	414657-G1	
88	1	CONTROL PANEL ASSY.	413939-G1	
67	1	GROUND LUG	420011	
63	1	TERMINAL BLOCK	410472-8	
66	1	CONTACTOR	411497-D3	
73	1	PORCELAIN BLOCK	414881-1	
74	1	BUZZER	411499-1	
76	2	RELAY 240V	411497-A2	
64A	2	CIRCUIT BREAKER 50 AMP	411501-13	
64B	1	CIRCUIT BREAKER 15 AMP	411501-14	
84	1	THERMOSTAT R & H	413764-1	
68	1	THERMOSTAT HEAT CONTROL (NS)	411506-3	
70	1	TIMER 1 HOUR	411690-3	
70A	1	TIMER 5 HOUR	411690-4	SELECT
70G	1	TIMER 12 HOUR	411690-8	
83A	1	TIMER 12 HR. DECAL (NS)	414294-1	
91	1	THERMOSTAT MOUNTING BRACKET	414036-1	
90A	1	BREAKER STOOL	417901-1	
66D	1	CONTACTOR 3 -POLE	411497-C2	



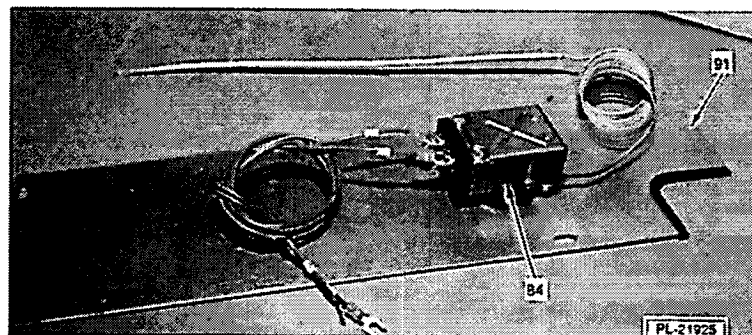
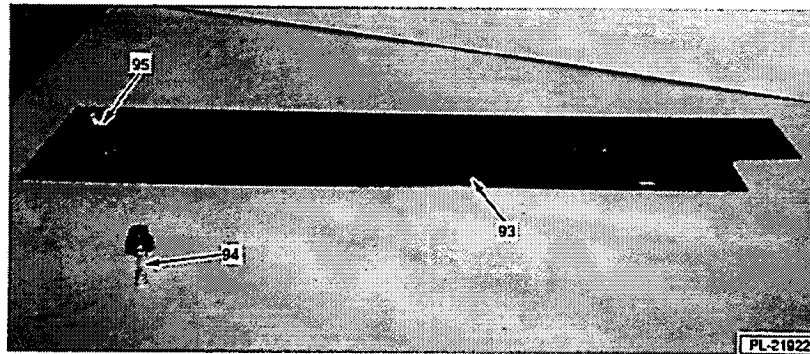
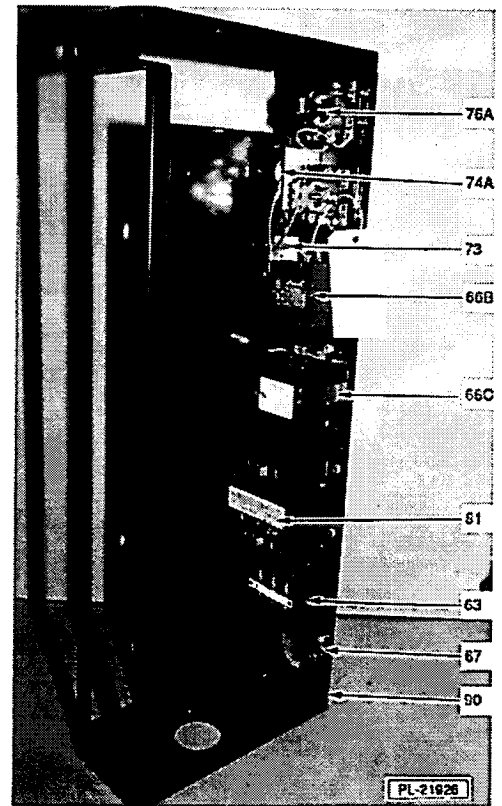
NOTE: ALL QUANTITIES ARE LISTED PER SECTION
NS = NOT SHOWN



PARTS LIST (Cont.)

ELECTRICAL CONNECTION BOX ASSEMBLY 480 VOLT R & H

ITEM NO.	QUANTITY	DESCRIPTION	ET8, ET10, ETH8, ETH10, ET8R, ET10R, ETH8R, ETH10R, T & B UNITS
90	1	CONTROL MOUNTING PLATE ASSY.	414657-G1
92	1	CONTROL PANEL ASSY.	412384-G1
93	1	BREAKER COVER	412581-2
94	1	FUSE (3A)	FE-017-47
95	1	FUSE HOLDER	FE-23-019
67	1	GROUND LUG	420011
63	1	TERMINAL BLOCK	410472-8
66C	1	CONTACTOR 3 POLE	411497-C3
73	1	PORCELAIN BLOCK	414881-1
74A	1	BUZZER	411499-4
76A	2	RELAY	411497-A1
81	1	TRANSFORMER	411500-9
66B	1	CONTACTOR	411497-C1
84	1	THERMOSTAT R & H	413764-1
68	1	THERMOSTAT	411506-3
91	1	THERMOSTAT MOUNT. BRKT.	414036-1
70	1	TIMER 1 HOUR	411690-1
70A	1	TIMER 5 HOUR	411690-3
70G	1	TIMER 12 HOUR	411690-7
83A	1	TIMER DECAL	414294-1



Free Manuals Download Website

<http://myh66.com>

<http://usermanuals.us>

<http://www.somanuals.com>

<http://www.4manuals.cc>

<http://www.manual-lib.com>

<http://www.404manual.com>

<http://www.luxmanual.com>

<http://aubethermostatmanual.com>

Golf course search by state

<http://golfingnear.com>

Email search by domain

<http://emailbydomain.com>

Auto manuals search

<http://auto.somanuals.com>

TV manuals search

<http://tv.somanuals.com>