

VULCAN

CATALOG OF REPLACEMENT PARTS

HALF SIZE ELECTRIC CONVECTION OVENS

ML-114570 ECO2D
ML-114572 ECO2C



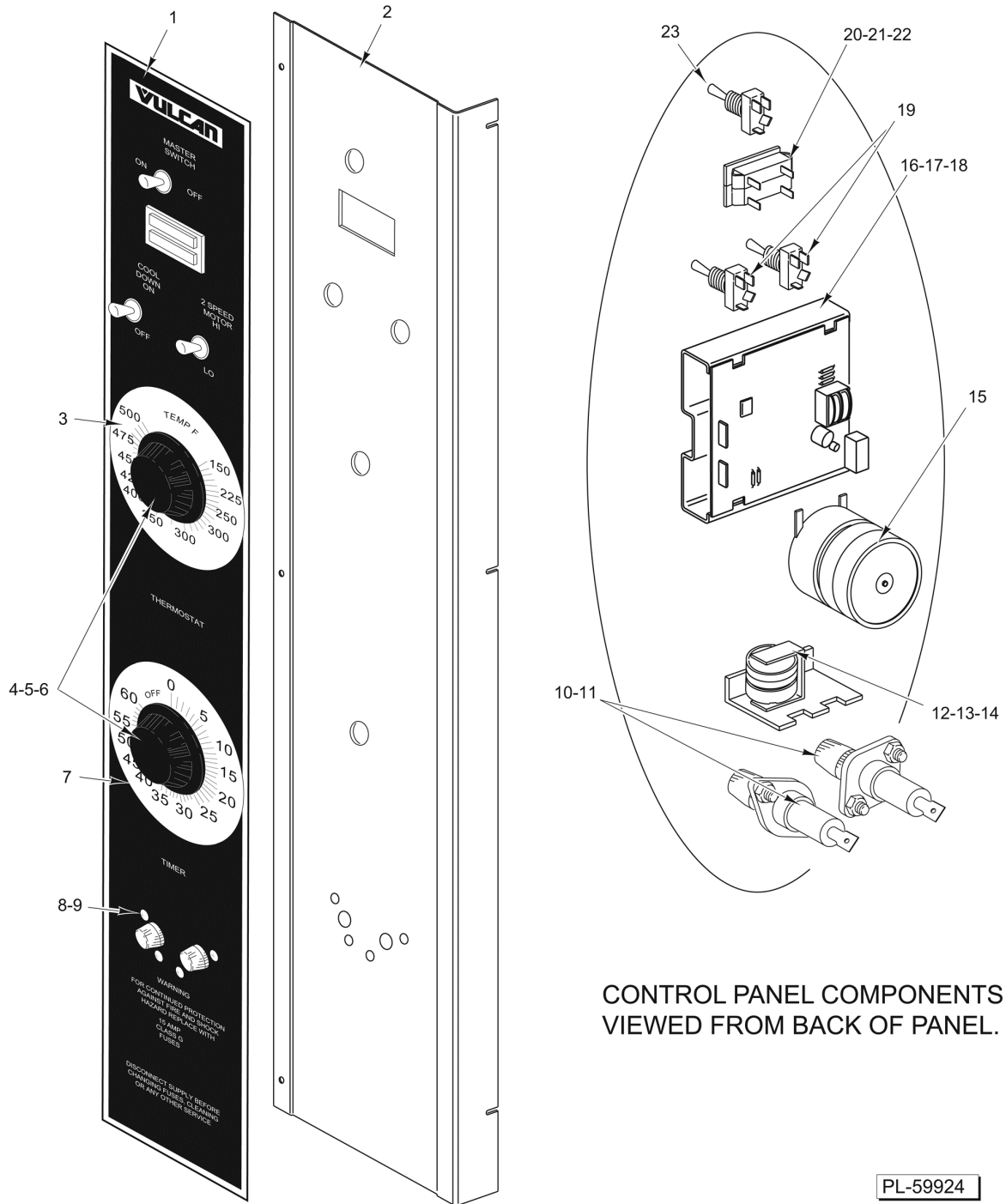
For additional information on Vulcan-Hart Company or to locate an authorized parts and service provider in your area, visit our website at www.vulcanequipment.com

VULCAN-HART
DIVISION OF ITW FOOD EQUIPMENT GROUP, LLC
WWW.VULCANEQUIPMENT.COM

3600 NORTH POINT BLVD.
BALTIMORE, MD 21222
F-31000 Rev. D (April 2013)

Table of Contents

5	CONTROL PANEL (ECO2D) (PREVIOUS CONSTRUCTION) (PRIOR TO FEBRUARY 2003)
7	CONTROL PANEL (ECO2D) (CURRENT CONSTRUCTION)
9	COMPUTERIZED CONTROLS (ECO2C) (PREVIOUS CONSTRUCTION)
11	COMPUTERIZED CONTROLS (ECO2C) (CURRENT CONSTRUCTION)
13	COMPONENT PANEL
15	DOOR ASSEMBLY
17	CABINET
19	ELECTRIC HEATERS AND BLOWER



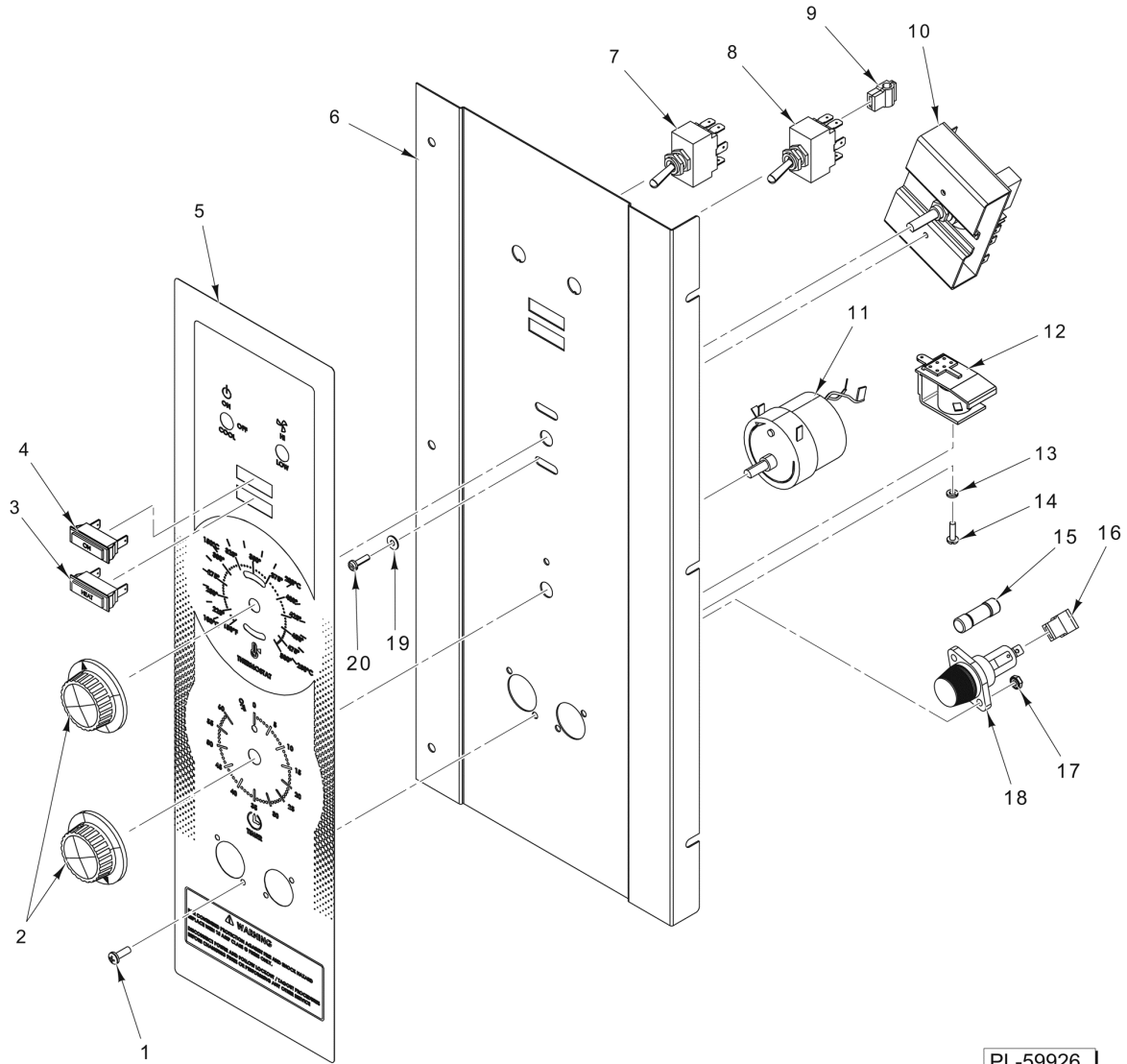
CONTROL PANEL COMPONENTS VIEWED FROM BACK OF PANEL.

PL-59924

**CONTROL PANEL
(ECO2D)
(PREVIOUS CONSTRUCTION)
(PRIOR TO FEBRUARY 2003)**

**CONTROL PANEL
(ECO2D)
(PREVIOUS CONSTRUCTION)
(PRIOR TO FEBRUARY 2003)**

ILLUS. PL-59924	PART NO.	NAME OF PART	AMT.
1	00-360881-00001	Overlay - Control Panel.....	1
2	00-422926-000G1	Panel - Control Weldment.....	1
3	00-358539-00001	Plate - Temperature Dial (Fahrenheit).....	1
4	00-411242-00001	Knob.....	2
5	SC-114-83	Mach. Screw 6-32 x 1/4 Slotted Pan Hd. (SST).....	2
6	WS-028-20	Washer (SST).....	2
7	00-358538-00001	Plate - Dial Timer.....	1
8	SC-114-27	Mach. Screw 8-32 x 1/2 Phil. Pan Hd.....	4
9	NS-046-51	Nut Assy. 8-32 Hex.....	4
10	FE-019-40	Fuse (15 Amp., 300 V.).....	2
11	FE-023-55	Holder - Fuse (15 Amp., 300 V.).....	2
12	00-411499-00003	Buzzer (230 V.).....	1
13	SD-034-49	Self-Tapping Screw 8-32 x 1/2 Hex Washer Hd., Type T.....	1
14	WL-014-10	Lockwasher 1/4 External Shakeproof.....	1
15	00-411690-00002	Timer (200-240 V.) (60 Hz.) (1-Hr.).....	1
16	00-353613-00002	Controller - Temperature (500 Deg.).....	1
17	SC-114-83	Mach. Screw 6-32 x 1/4 Slotted Pan Hd. (SST).....	2
18	WS-028-20	Washer (SST).....	2
19	00-340324-00009	Switch (D.P.D.T.).....	2
20	00-354575-00007	Light - Indicator (Amber).....	1
21	00-354575-00009	Light - Indicator (Clear).....	1
22	00-913102-00161	Light - Indicator (Double) (Incls. Items 20 & 21).....	1
23	00-340324-00006	Switch - Toggle (Power ON).....	1
	00-353589-00001	Probe Temperature (SST).....	1

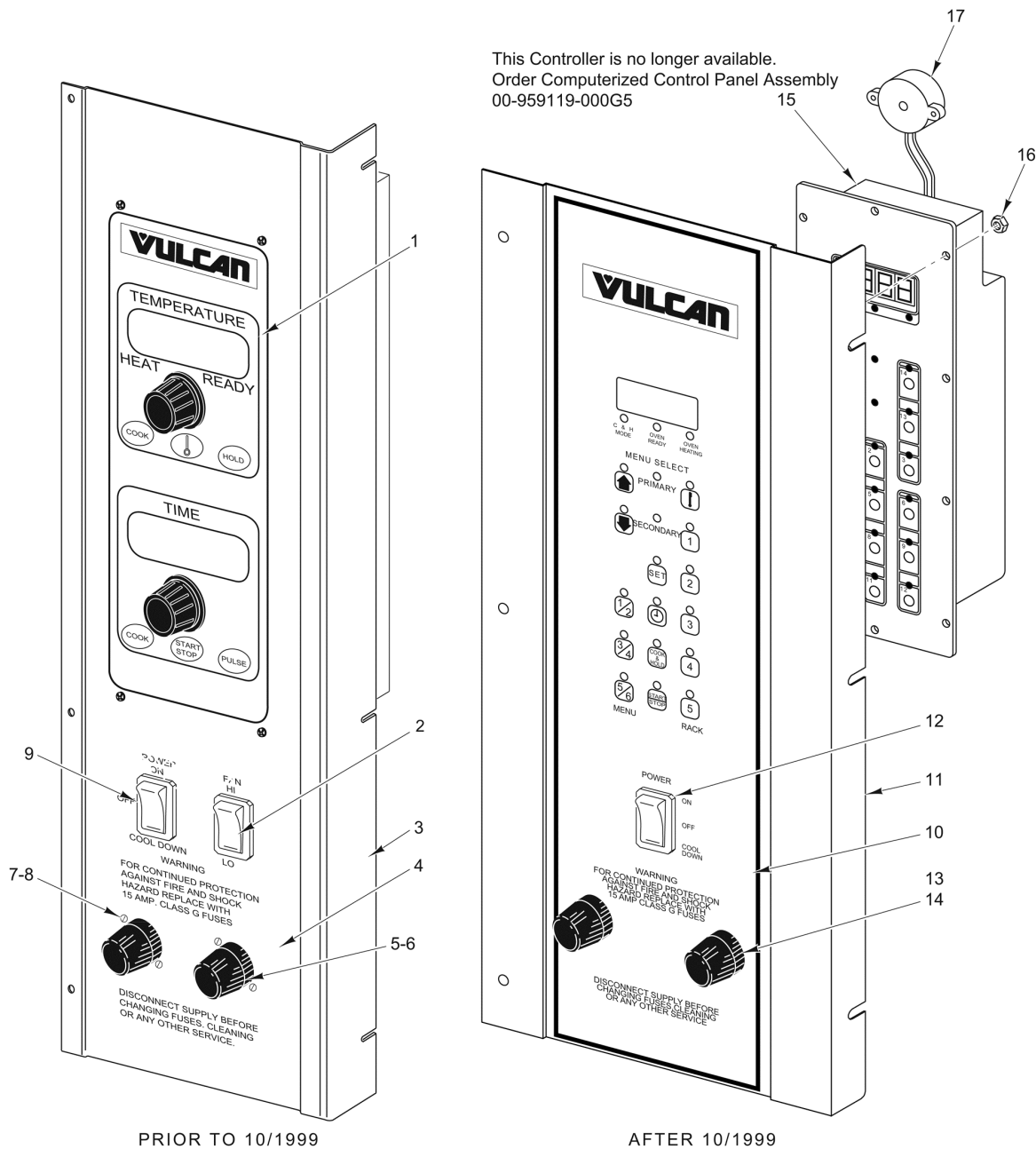


PL-59926

**CONTROL PANEL
(ECO2D)
(CURRENT CONSTRUCTION)**

**CONTROL PANEL
(ECO2D)
(CURRENT CONSTRUCTION)**

ILLUS. PL-59926	PART NO.	NAME OF PART	AMT.
1	SD-024-40	Self-Tapping Screw 6-32 x 5/8 Phil. Pan Hd., Type TT.....	4
2	00-411242-00001	Knob.....	2
3	00-354575-00009	Light - Indicator (Clear).....	1
4	00-354575-00007	Light - Indicator (Amber).....	1
5	00-428125-00001	Overlay - Panel.....	1
6	00-428131-000G1	Panel - Control.....	1
7	00-340324-00008	Switch (On/Off/Cooldown) (4 P.D.T.).....	1
8	00-340324-00009	Switch (D.P.D.T.).....	1
9	00-412575-00007	Insulator - Terminal.....	2
10	00-353613-00002	Controller - Temperature (500 Deg.).....	1
11	00-411690-00002	Timer (200-240 V.) (60 Hz.) (1-Hr.).....	1
12	00-411499-00003	Buzzer (230 V.).....	1
13	WL-003-12	Lockwasher #8 Helical.....	1
14	SC-114-83	Mach. Screw 6-32 x 1/4 Slotted Pan Hd. (SST).....	1
15	FE-019-40	Fuse (15 Amp., 300 V.).....	2
16	00-412575-00007	Insulator - Terminal.....	2
17	NS-046-89	Nut Assy. 6-32 Hex.....	4
18	FE-023-55	Holder - Fuse (15 Amp., 300 V.).....	2
19	WS-024-20	Washer.....	2
20	SC-114-83	Mach. Screw 6-32 x 1/4 Slotted Pan Hd. (SST).....	2



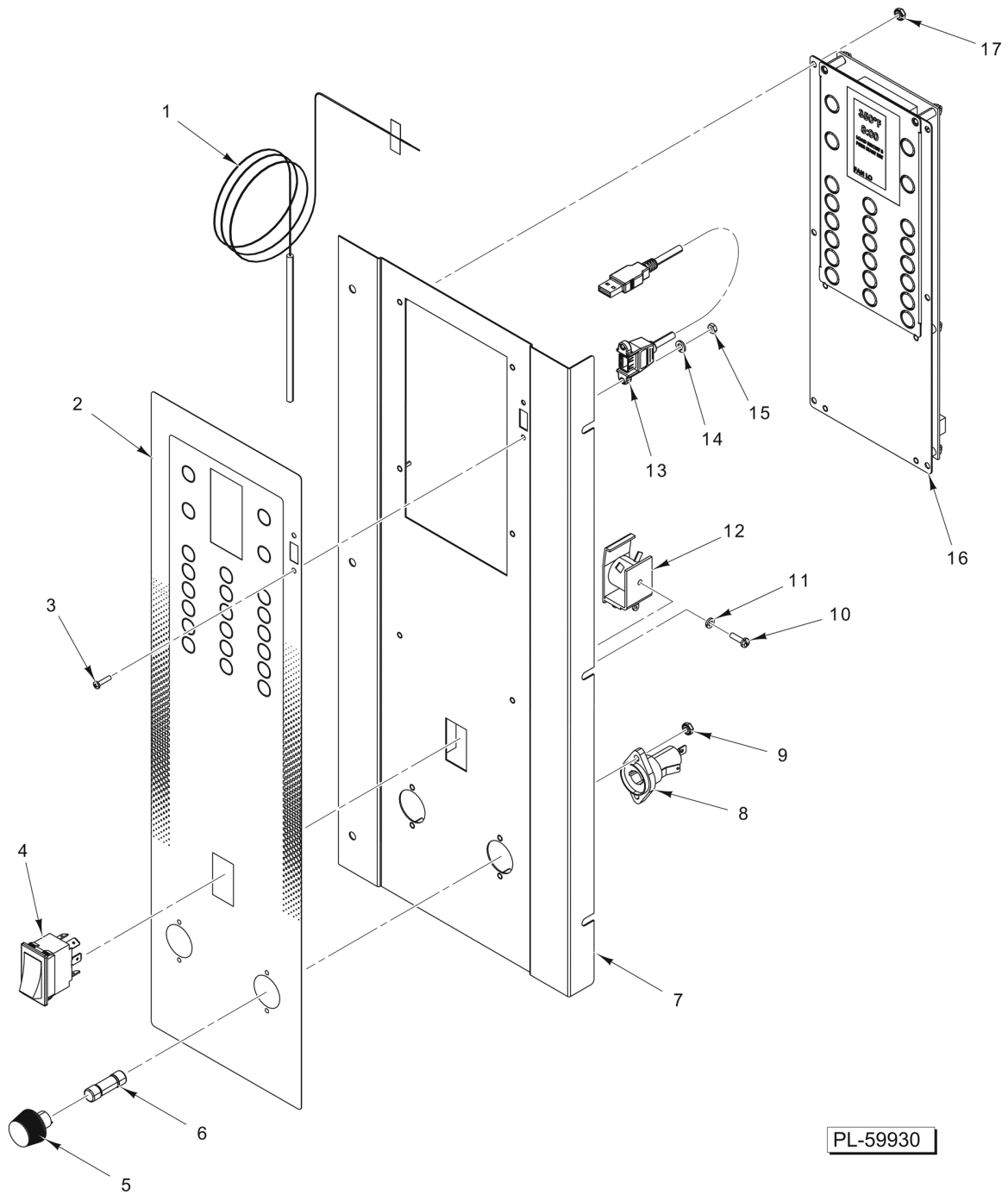
PL-59928

**COMPUTERIZED CONTROLS
(ECO2C)
(PREVIOUS CONSTRUCTION)**

**COMPUTERIZED CONTROLS
(ECO2C)
(PREVIOUS CONSTRUCTION)**

ILLUS.	PART NO.	NAME OF PART	AMT.
PL-59928			
1	00-355903-00004	Controller (With Roast, Hold, & Gentle Bake).....	1
2	00-358628-00002	Switch - Rocker (2-Position).....	1
3	00-422924-000G1	Panel - Control.....	1
4	00-422584-00001	Overlay.....	1
5	FE-023-55	Holder - Fuse (15 Amp., 300 V.).....	2
6	FE-019-40	Fuse (15 Amp., 300 V.).....	2
7	NS-046-51	Nut Assy. 8-32 Hex.....	4
8	SC-114-27	Mach. Screw 8-32 x 1/2 Phil. Pan Hd.....	4
9	00-358628-00001	Switch - Rocker (3 Position).....	1
10	00-426698-00001	Overlay (ECO2C).....	1
11	00-426694-000G1	Panel - Control.....	1
12	00-358628-00001	Switch - Rocker (3 Position).....	1
13	FE-023-55	Holder - Fuse (15 Amp., 300 V.).....	2
14	FE-019-40	Fuse (15 Amp., 300 V.).....	2
*15		Controller.....	1
16	NS-044-05	Nut Assy. 6-32 Hex Keps.....	6
17	00-423918-00001	Electronic Beeper.....	1
	00-920883-00002	Probe - Thermocouple (With 40 In. Leads).....	1
	00-342132-00001	Guard - Thermo.....	1
	00-402558-00004	Clip - Tubing.....	1
	00-959119-000G5	Panel - Control Assy. (Complete).....	1

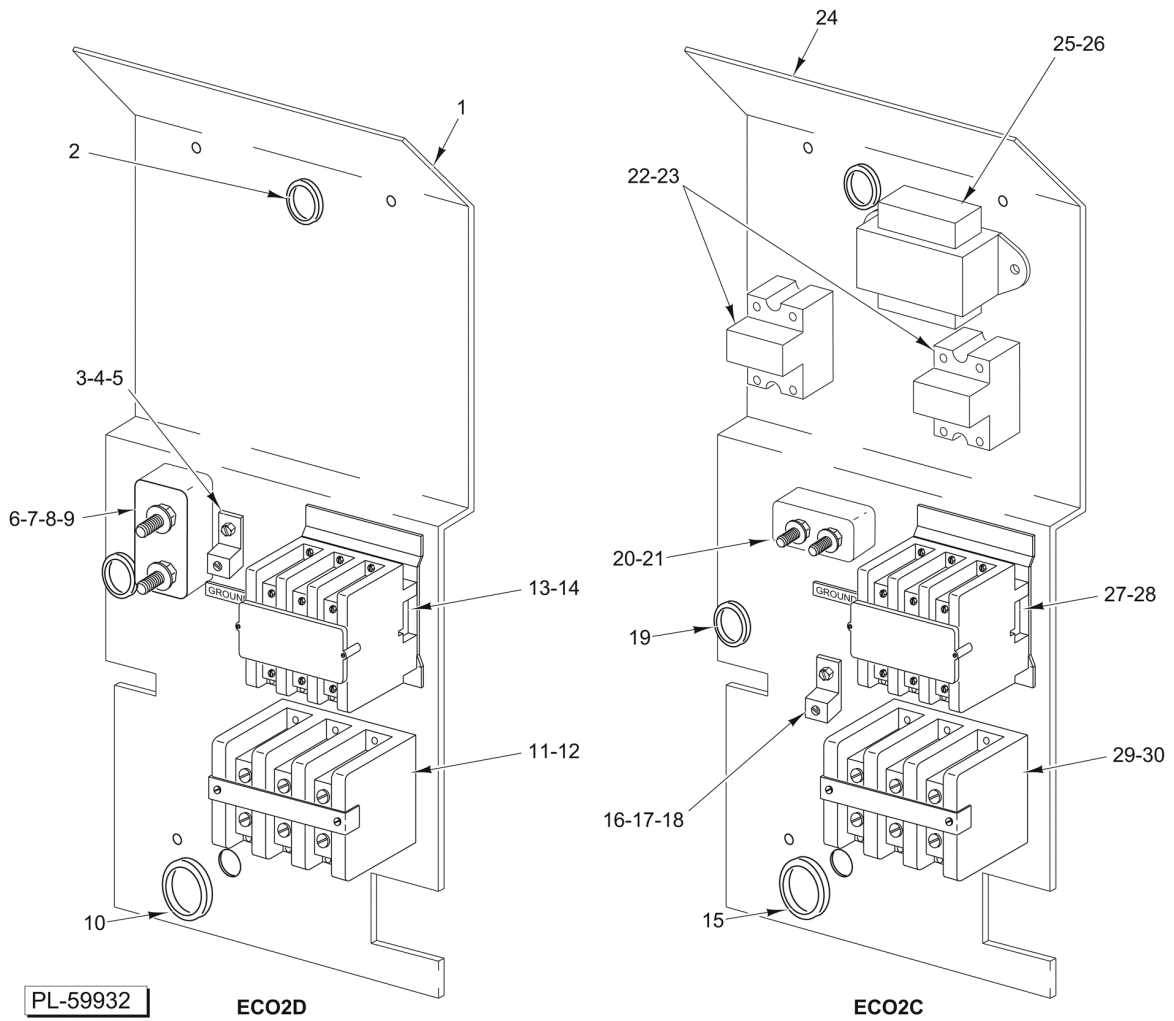
* (No Longer Available, Order 00-959119-000G5)



**COMPUTERIZED CONTROLS
(ECO2C)
(CURRENT CONSTRUCTION)**

**COMPUTERIZED CONTROLS
(ECO2C)
(CURRENT CONSTRUCTION)**

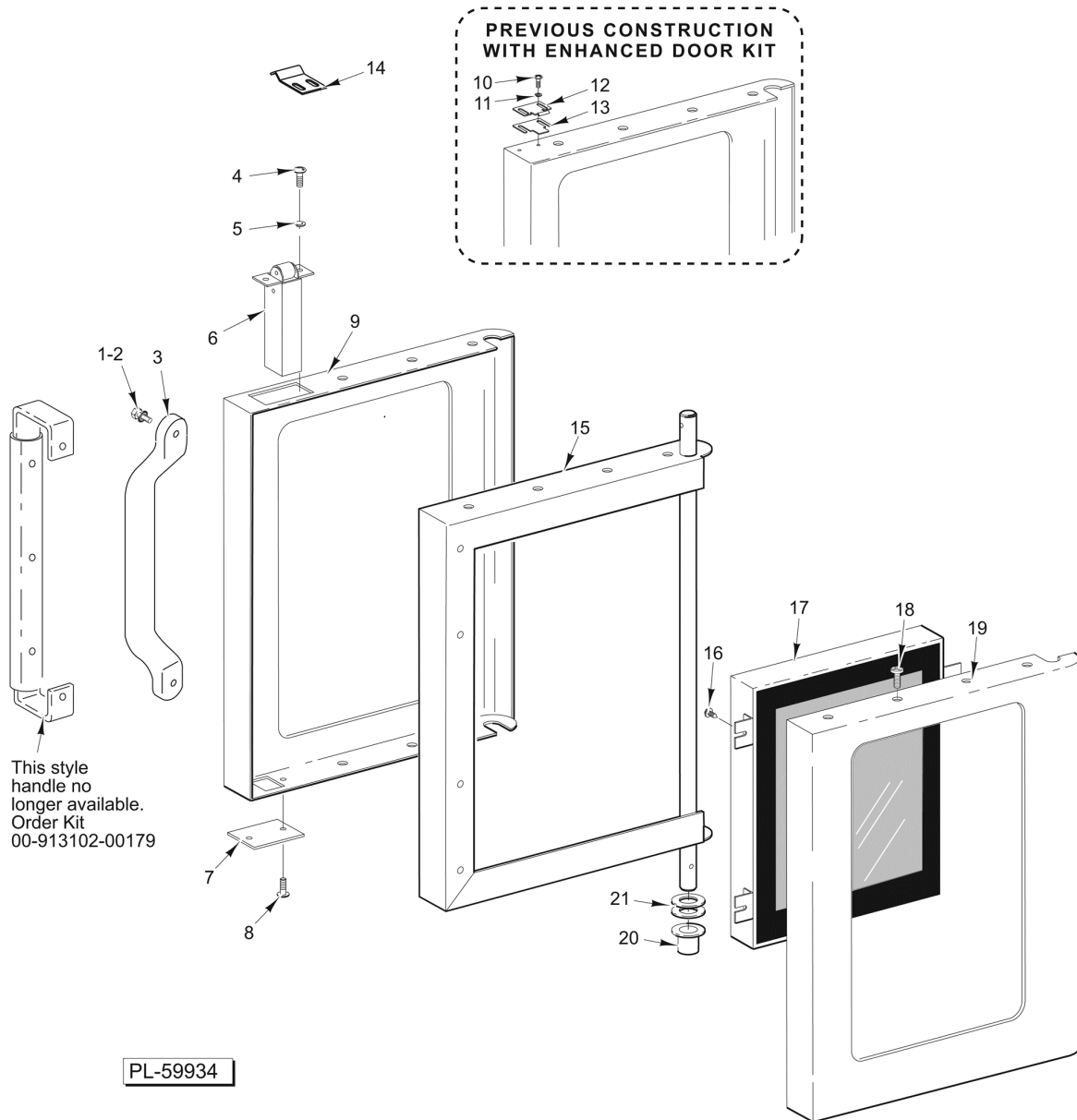
ILLUS.	PART NO.	NAME OF PART	AMT.
PL-59930			
1	00-920883-00003	Probe - Temperature.....	1
2	00-959126-00002	Overlay (Vulcan).....	1
3		Mach. Screw 4-40 x 1/2 Phil. Pan Hd.....	2
4	00-358628-00001	Switch - Rocker (3 Position).....	1
5	FE-023-55	Holder - Fuse (15 Amp., 300 V.) (Incls. Item 8).....	2
6	FE-019-40	Fuse (15 Amp., 300 V.).....	2
7	00-959119-000G2	Panel - Control Assy. (Complete) (240 V.).....	1
8	FE-023-55	Holder - Fuse (15 Amp., 300 V.) (Incls. Item 5).....	2
9	NS-046-89	Nut Assy. 6-32 Hex.....	4
10	SC-114-83	Mach. Screw 6-32 x 1/4 Slotted Pan Hd. (SST).....	1
11	WL-003-12	Lockwasher #8 Helical.....	1
12	00-411499-00003	Buzzer (230 V.).....	1
13	00-959000-000G1	Cable Assy. (USB) (1 Ft.) (Incls. Items 3, 14, & 15).....	1
14		Lockwasher.....	2
15		Nut 4-40 Hex.....	2
16	00-959077-00001	Controller - Cooking (NCC).....	1
17	NS-046-89	Nut Assy. 6-32 Hex.....	6



COMPONENT PANEL

COMPONENT PANEL

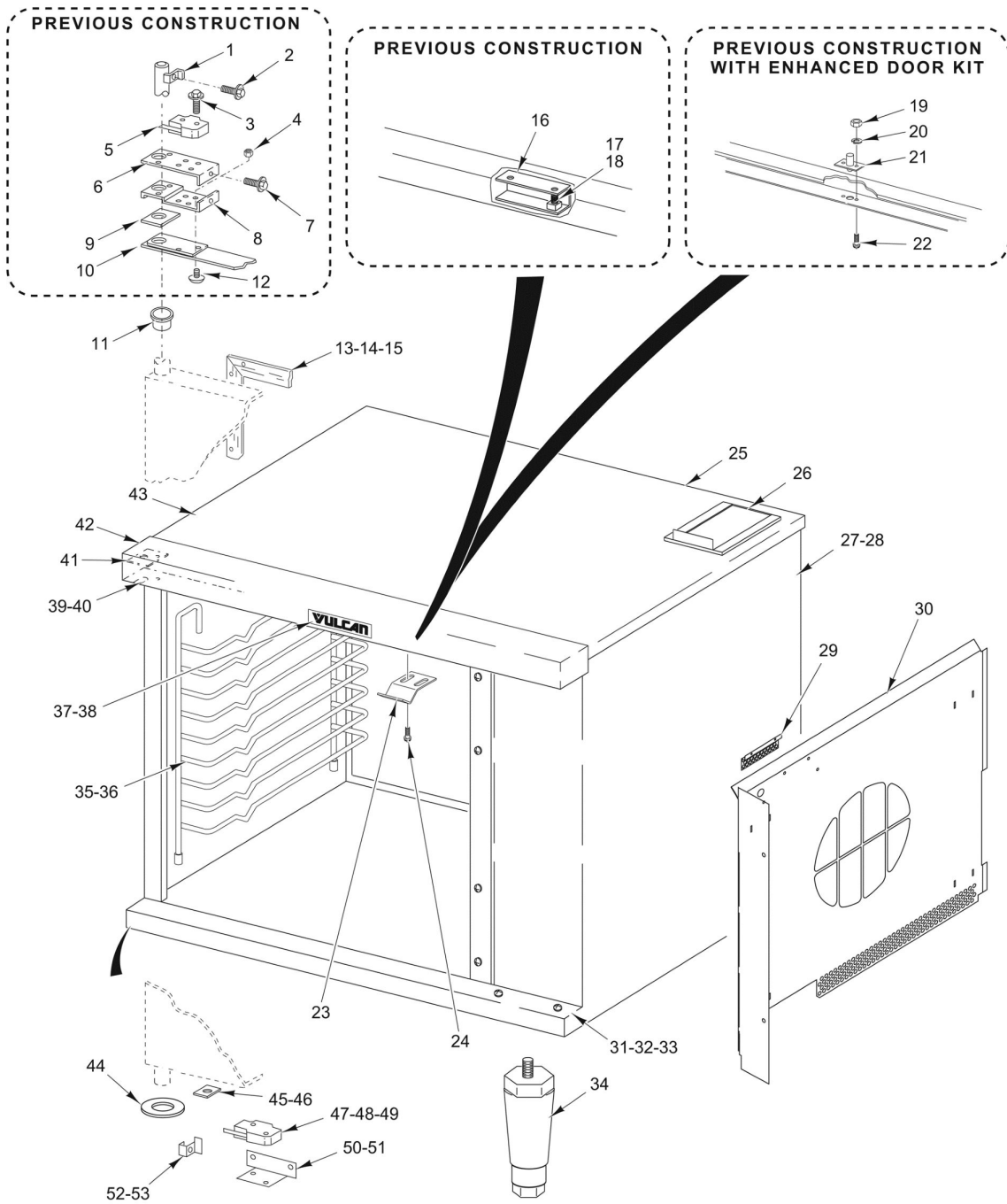
ILLUS.	PART NO.	NAME OF PART	AMT.
PL-59932			
1	00-422712-00001	Panel - Component.....	1
2	FE-016-32	Bushing - Snap (Electrical).....	2
3	00-417856-00001	Lug - Grounding (With Set Screw).....	1
4	SD-032-07	Self-Tapping Screw 10-24 x 1/2 Hex Washer Hd., Type TT.....	2
5	WL-004-40	Lockwasher #10 Helical.....	1
6	00-417934-000G1	Block Assy. - Porcelain.....	1
7	SD-034-52	Self-Tapping Screw 8-32 x 1 Hex Washer Hd., Type T.....	2
8	WS-023-20	Washer.....	2
9	NS-044-09	Nut Assy. 10-24 Hex KEPS.....	1
10	FE-023-53	Bushing - Snap.....	1
11	00-410472-00008	Block - Terminal (3-Pole).....	1
12	SD-032-07	Self-Tapping Screw 10-24 x 1/2 Hex Washer Hd., Type TT.....	2
13	00-411497-000C5	Contactactor (3-Pole).....	1
14	SD-032-07	Self-Tapping Screw 10-24 x 1/2 Hex Washer Hd., Type TT.....	2
15	FE-023-53	Bushing - Snap.....	1
16	00-417856-00001	Lug - Grounding (With Set Screw).....	1
17	SD-032-07	Self-Tapping Screw 10-24 x 1/2 Hex Washer Hd., Type TT.....	2
18	WL-004-40	Lockwasher #10 Helical.....	1
19	FE-016-32	Bushing - Snap (Electrical).....	2
20	00-417934-000G1	Block Assy. - Porcelain.....	1
21	SD-034-52	Self-Tapping Screw 8-32 x 1 Hex Washer Hd., Type T.....	2
22	00-821875-00002	Relay - Solid State (50 Amp.).....	2
23	SD-034-49	Self-Tapping Screw 8-32 x 1/2 Hex Washer Hd., Type T.....	4
24	00-422712-00001	Panel - Component.....	1
25	00-421758-000G4	Transformer Assy.....	2
26	SD-032-07	Self-Tapping Screw 10-24 x 1/2 Hex Washer Hd., Type TT.....	2
27	00-411497-000C5	Contactactor (3-Pole).....	1
28	SD-034-49	Self-Tapping Screw 8-32 x 1/2 Hex Washer Hd., Type T.....	2
29	00-410472-00008	Block - Terminal (3-Pole).....	1
30	SD-032-07	Self-Tapping Screw 10-24 x 1/2 Hex Washer Hd., Type TT.....	2



DOOR ASSEMBLY

DOOR ASSEMBLY

ILLUS.	PART NO.	NAME OF PART	AMT.
PL-59934			
1	00-959087-00001	Screw 1/4-20 x 1-1/4 Black Hd.....	2
2	WL-013-14	Lockwasher 1/4 Internal Shakeproof.....	2
3	00-957108-00001	Handle - Molded (Black).....	1
4	SC-117-73	Mach. Screw 10-32 x 5/8 Phil. Truss Hd.....	2
5	WL-019-35	Lockwasher #10 Internal.....	2
6	00-497586-00001	Latch - Door Roller (Mounted to Door).....	1
7	00-499264-00001	Plate - Latch Cutout.....	1
8	SD-034-22	Self-Tapping Screw 10-16 X 5/8 Phil. Truss Hd., Type AB.....	2
9	00-360887-00001	Panel - Outer Door (With Window).....	1
10	SC-115-51	Mach. Screw 10-32 x 1/2 Phil. Truss Hd.....	2
11	WL-019-35	Lockwasher #10 Internal.....	2
12	00-423847-00001	Strike - Door (Mounted to Door).....	2
13	00-423848-00001	Shim - Door Strike.....	1
14	00-499270-00001	Strike - Door (Attaches to Upper "C" Channel).....	1
15	00-359703-000G1	Door Frame Assy.....	1
16	SD-034-62	Self-Tapping Screw 10-32 x 1/2 Hex Washer Hd., Type T.....	4
17	00-358534-00001	Window Assy.....	1
18	SD-034-22	Self-Tapping Screw 10-16 X 5/8 Phil. Truss Hd., Type AB.....	7
19	00-360889-000G1	Panel - Inner Door (With Window).....	1
20	00-347080-00002	Bearing - Door Shaft.....	1
21	00-343143-00002	Washer.....	4
	00-423014-000G2	Door Kit - Enhanced (Prior to 7/15/08) (Incls. Items 4, 5, 7, & 12).....	1
	00-499305-000G1	Door Assy.....	1
	00-913102-00179	Kit - Handle (Incls. Items 1, 2, & 3).....	1

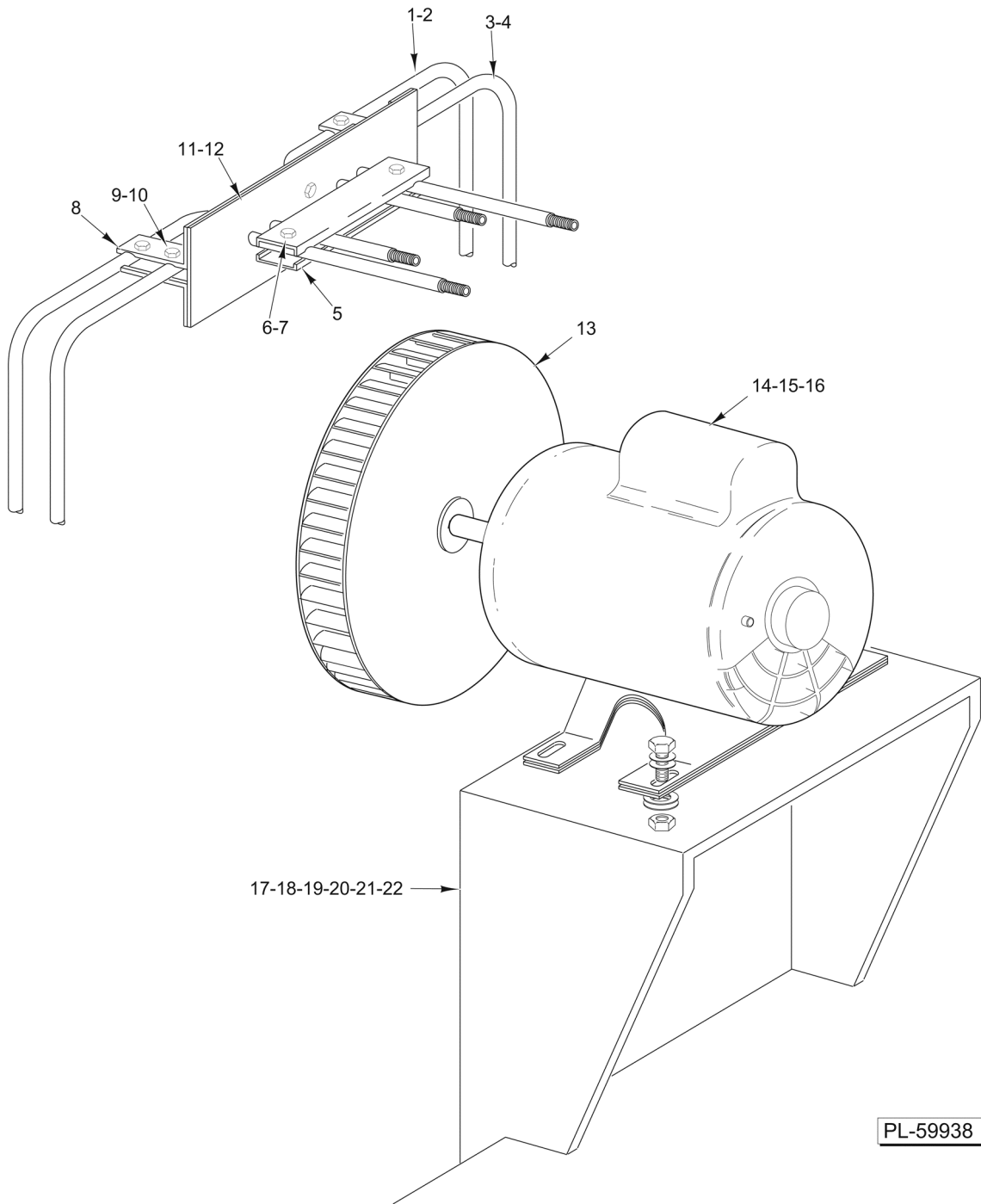


PL-59936

CABINET

CABINET

ILLUS.	PART NO.	NAME OF PART	AMT.
PL-59936			
1	00-427855-00001	Striker - Door Switch (Used on machines built prior to 12/2008).....	1
2	SD-036-30	Self-Tapping 8-32 x 1/4 Slotted Hex Washer Hd., Type T.....	1
3	SD-034-47	Self-Tapping Screw 6-32 x 1 Hex Washer Hd., Type T.....	2
4	NS-046-52	Nut Assy. 1/4-20 Hex.....	2
5	00-353782-00001	Switch - Door (Machines built prior to 8/2001).....	1
6	00-353780-00001	Bracket - Switch (Machines built prior to 8/2001).....	1
7	SD-036-30	Self-Tapping 8-32 x 1/4 Slotted Hex Washer Hd., Type T.....	1
8	00-353778-00001	Support - Switch.....	1
9	00-353482-00001	Spacer.....	1
10	00-353483-00001	Plate - Upper Door Bearing.....	1
11	00-347080-00002	Bearing - Door Shaft.....	1
12	SC-022-40	Mach. Screw 1/4-20 x 3/4 Phil. Flat Hd. (SST).....	2
13	00-423281-00001	Seal - Door (LH or RH).....	2
14	00-423280-00001	Seal - Door (Top & Bottom).....	2
15	SD-034-05	Self-Tapping Screw 6-20 x 3/8 Phil. Pan Hd., Type AB.....	16
16	00-355344	Channel - Latch (Used on machines built prior to 12/1997).....	1
17	00-417810-00003	Spring - Compression (Used on machines built prior to 12/1997).....	1
18	00-411794-00001	Catch - Door (Used on machines built prior to 12/1997).....	1
19	NS-046-88	Nut Assy. 10-32 Hex.....	2
20	WL-019-35	Lockwasher #10 Internal.....	2
21	00-347545-00001	Catch Assy. - Door (Roller Ball Style).....	1
22	SC-115-51	Mach. Screw 10-32 x 1/2 Phil. Truss Hd.....	2
23	00-497585-00001	Plate - Strike.....	1
24	SD-034-22	Self-Tapping Screw 10-16 X 5/8 Phil. Truss Hd., Type AB.....	2
25	00-354476-00002	Back (SST).....	1
26	00-354482-00001	Vent Extension.....	1
27	00-422715-00002	Panel - Side (RH) (SST).....	1
28	00-957647-000G1	Panel - Side (LH) (SST).....	1
29	00-499274-00001	Cover - Probe.....	1
30	00-360869-000G1	Blower Baffle Weldment (Enamel).....	1
31	00-422714-00001	Cover - Lower (Used on machines built prior to 12/2008).....	1
32	00-957632-00001	Cover - Lower (Used on machines built after 12/2008).....	1
33	00-422592-00001	Sill - Door.....	1
34	00-348164-00001	Leg - Adjustable Chrome Plated (4 In.).....	4
35	00-347498-00003	Guide - Rack (LH) (Used on machines built prior to 10/26/2012).....	1
	00-959382-00001	Guide - Rack (LH & RH) (Used on machines built after to 10/26/2012).....	2
36	00-347498-00004	Guide - Rack (RH) (Used on machines built prior to 10/26/2012).....	1
37	00-957916-00003	Nameplate - Small (Vulcan).....	1
38	NS-047-79	Pal Nut 3/16.....	2
39	00-499269-00001	Support - Upper Door (Current Construction).....	1
40	00-422590-00001	Support - Door Upper Reversible (Previous Construction).....	1
41	00-422588-00001	Plate - Cover.....	1
42	00-347593-00001	Cover - Top.....	1
43	00-422595-00002	Top (SST).....	1
44	00-343143-00002	Washer.....	1
45	00-353790-00001	Stop.....	1
46	SD-008-27	Self-Tapping Screw 10-16 x 1/2 Phil. Truss Hd., Type B.....	1
47	00-411496-000F1	Switch - Micro.....	1
48	SC-123-87	Mach. Screw 6-32 x 7/8 Slotted Pan Hd.....	1
49	NS-046-89	Nut Assy. 6-32 Hex.....	1
50	00-499338-00001	Bracket - Door Switch (Used on machines built after 12/2008).....	1
51	00-426854-00001	Bracket - Switch Mounting (Used on machines built prior to 12/2008).....	1
52	00-499340-00001	Bracket - Shaft (Micro Switch) (Used on machines built after 12/2008).....	1
53	SD-034-52	Self-Tapping Screw 8-32 x 1 Hex Washer Hd., Type T.....	1
	00-423014-000G2	Door Kit - Enhanced (Prior to 7/15/08) (Incls. Items 19 thru 22).....	1
	00-347497-00002	Rack (Used on machines built prior to 10/26/2012).....	AR
	00-959381-00001	Rack (Used on machines built after to 10/26/2012).....	AR
	00-353948-00002	Caster Assy. (Swivel).....	2
	00-341655-00007	Caster (Rigid) (5" Dia.).....	2
	00-342154-00002	Plug - Hole.....	1



ELECTRIC HEATERS AND BLOWER

ELECTRIC HEATERS AND BLOWER

ILLUS.	PART NO.	NAME OF PART	AMT.
PL-59938			
1	00-351393-00002	Heater Unit Assy. (Outer) (208 V.).....	1
2	00-351393-00004	Heater Unit Assy. (Outer) (240 V.).....	1
3	00-351393-00001	Heater Unit Assy. (Inner) (208 V.).....	1
4	00-351393-00003	Heater Unit Assy. (Inner) (240 V.).....	1
5	00-342131-00001	Clamp - Large.....	2
6	SC-114-02	Mach. Screw 10-32 x 3/4 Slotted Hex Washer Hd.....	2
7	NS-046-88	Nut Assy. 10-32 Hex.....	2
8	00-342133-00001	Clamp - Small.....	6
9	SC-114-02	Mach. Screw 10-32 x 3/4 Slotted Hex Washer Hd.....	6
10	NS-046-88	Nut Assy. 10-32 Hex.....	6
11	00-347430-00001	Plate Assy. - Seal.....	1
12	00-342145-00001	Plate.....	1
13	00-354262-00001	Blower.....	1
14	00-358516-00002	Motor 1/2 Hp. (2-Speed) (208-240 V., 50/60 Hz., 1 Ph.) (Previous Construction).....	1
15	00-428449-00002	Motor (208-230 V., 60 Hz.).....	1
16	FE-023-56	Bushing - Electric Snap.....	1
17	00-347786-00002	Motor Mount Assy. (Previous Construction).....	1
18	00-422711-000G3	Motor Mount Assy.....	1
19	SC-116-84	Cap Screw 5/16-18 x 1-1/8 Hex Hd.....	4
20	WS-029-46	Washer.....	4
21	NS-046-86	Nut Assy. 5/16-18 "KEPS" Hex.....	2
22	00-358723-00001	Spacer - Steel.....	2
	00-347563-00001	Cover - Heater Unit.....	1
	00-347494-00001	Heater Assy. (208 V.) (Incls. Items 1, 3, & 5 thru 12).....	1
	00-347494-00002	Heater Assy. (240 V.) (Incls. Items 2 & 4 thru 12).....	1
	00-402558-00004	Clip - Tubing.....	2

Free Manuals Download Website

<http://myh66.com>

<http://usermanuals.us>

<http://www.somanuals.com>

<http://www.4manuals.cc>

<http://www.manual-lib.com>

<http://www.404manual.com>

<http://www.luxmanual.com>

<http://aubethermostatmanual.com>

Golf course search by state

<http://golfingnear.com>

Email search by domain

<http://emailbydomain.com>

Auto manuals search

<http://auto.somanuals.com>

TV manuals search

<http://tv.somanuals.com>