

# **VULCAN**

## *CATALOG OF REPLACEMENT PARTS*

### *ELECTRIC CONVECTION OVENS*

#### *MODELS*

<i>VC4ES</i>	<i>ML-126743</i>
<i>VC4ED</i>	<i>ML-126744</i>
<i>VC4EC</i>	<i>ML-126745</i>
<i>VC6ES</i>	<i>ML-126746</i>
<i>VC6ED</i>	<i>ML-126747</i>
<i>VC6EC</i>	<i>ML-126748</i>

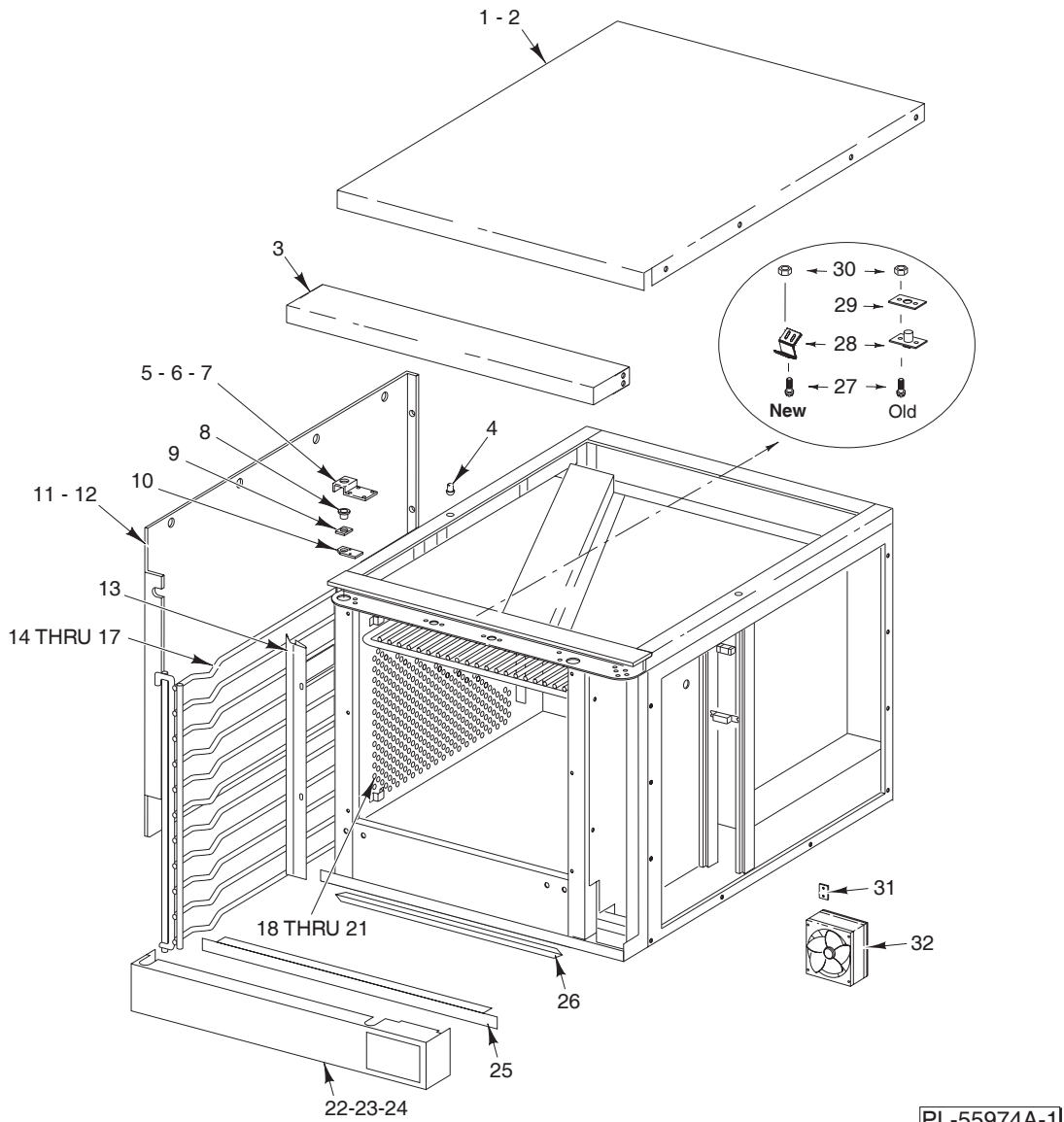


**For additional information on Vulcan-Hart or to locate an authorized parts and service provider in your area, visit our website at [www.vulcanhart.com](http://www.vulcanhart.com)**

VULCAN-HART  
DIVISION OF ITW FOOD EQUIPMENT GROUP, LLC  
[WWW.VULCANHART.COM](http://WWW.VULCANHART.COM)

P.O. BOX 696, LOUISVILLE, KY 40201-0696  
TEL. (800) 814-2028

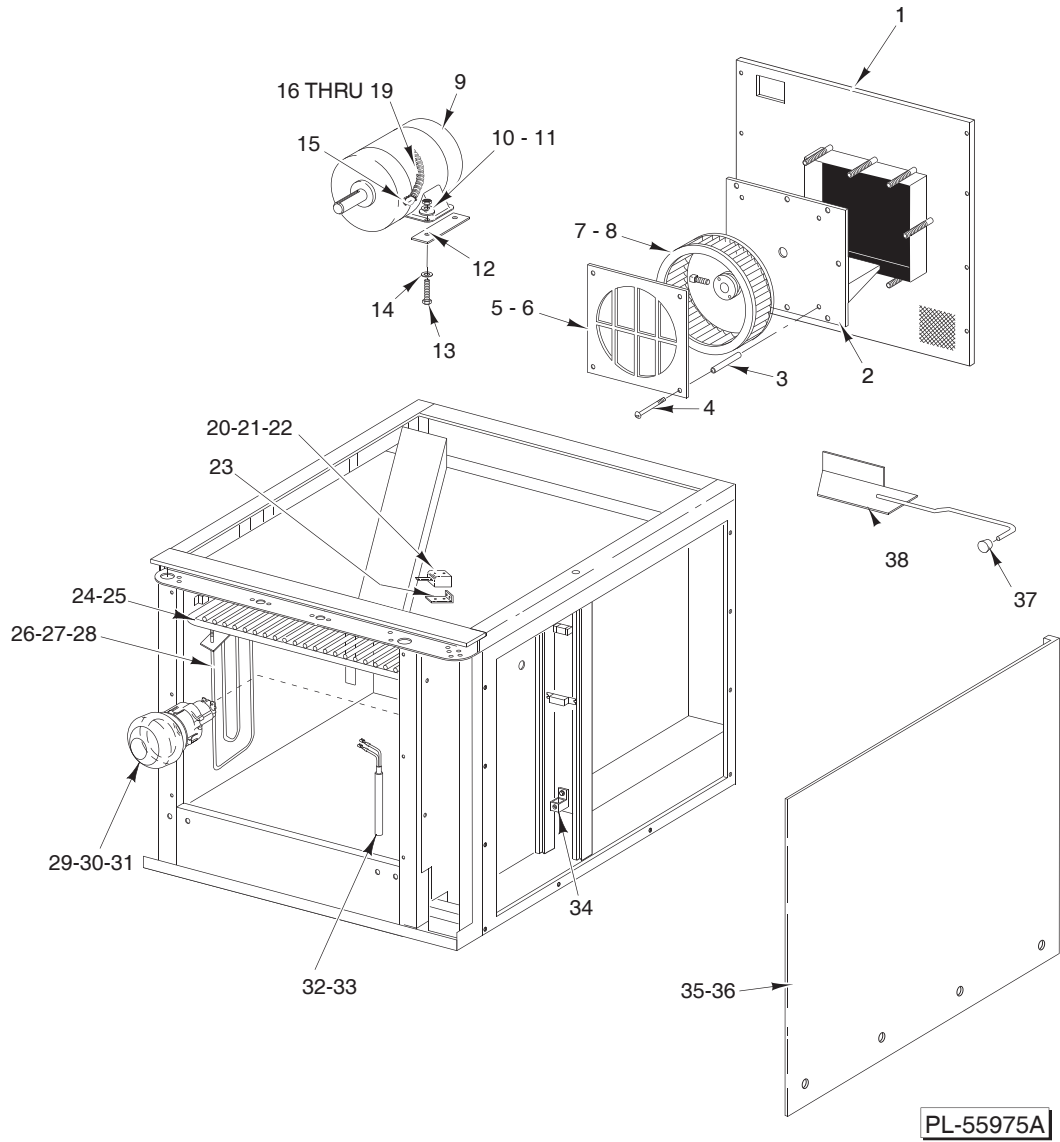
**FORM 43032 Rev. B (Aug. 2007)**



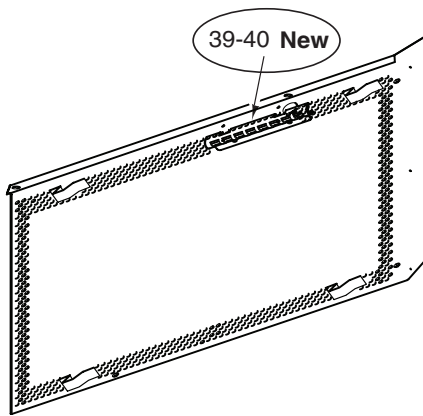
**OVEN  
(LH SIDE)**

## OVEN (LH SIDE)

ILLUS.	PART NO.	NAME OF PART	AMT.
	<b>PL-55974A-1</b>		
1	00-424141-00002	Top (SST) (VC4) .....	1
2	00-424229-00002	Top (SST) (VC6) .....	1
3	00-421799-00001	Top – Front .....	1
4	00-339337-00001	Stud – Locating (With Stacking Kit Only) .....	2
5	00-353484-00001	Plate – Retainer .....	2
6	SC-053-46	Mach. Screw 1/4-20 x 3/4 Truss Hd. (SST) .....	4
7	NS-038-08	Lock Nut 1/4-20 x 1 Hex Hd. ....	4
8	00-347080-00002	Bearing – Door Shaft .....	2
9	00-353482-00001	Spacer .....	2
10	00-353483-00001	Plate – Upper Door Bearing .....	2
11	<b>00-499302-00001</b>	<b>Panel – Outer (SST) (LH) (VC4) (New Style) .....</b>	<b>1</b>
	00-424142-00002	Panel – Outer (SST) (LH) (VC4) (Old Style) .....	1
12	<b>00-499303-00001</b>	<b>Panel – Outer (SST) (LH) (VC6) (New Style) .....</b>	<b>1</b>
	00-424230-00002	Panel – Outer (SST) (LH) (VC6) (Old Style) .....	1
13	00-423842-000G1	Seal – Vertical Door (LH or RH) .....	1
14	00-342141-00001	Rack – Support (LH) (VC4) .....	1
15	00-342141-00002	Rack – Support (RH) (VC4) .....	1
16	00-424833-00001	Rack – Support (LH) (VC6) .....	1
17	00-424833-00002	Rack – Support (RH) (VC6) .....	1
18	00-426648-000G1	Cavity – Side Assy. (LH) (VC4) .....	1
19	00-426920-000G1	Cavity – Side Assy. (LH) (Porcelain) (VC6) .....	1
20	00-426648-000G2	Cavity – Side Assy. (RH) (VC4) .....	1
21	00-426920-000G2	Cavity – Side Assy. (RH) (Porcelain) (VC6) .....	1
22	<b>00-499299-000G1</b>	<b>Trim – Bottom (W/Access Door) (New Style) (Incls. Items 23 &amp; 24) .....</b>	<b>1</b>
	00-423766-000G1	Trim – Bottom (W/Access Door) (Old Style) (Incls. Items 23 (Old Style) & 24) .....	1
23	<b>00-499297-00001</b>	<b>Access Door (New Style) .....</b>	<b>1</b>
	00-423758-00001	Access Door (Old Style) .....	1
24	00-425199-00001	Fastener – Nylon (Push-In) .....	2
25	00-424865-00001	Cover – Trim .....	1
26	00-357507-00001	Seal – Horizontal Door (30 1/2 Lg.) (Top or Bottom) .....	2
27	SC-115-51	Mach. Screw 10-32 x 1/2 Phil. Truss Hd. ....	4
28	<b>00-497585-00001</b>	<b>Strike Plate (New Style) (Mounted on Upper “C” Channel) .....</b>	<b>2</b>
	00-347545-00001	Roller Ball Door Latch (Old Style) .....	1
	00-423847-00001	Strike Plate (Old Design) (Mounted to Doors) .....	1
29	00-423848-00001	Shim – Door Strike (Old Style) .....	AR
30	NS-038-03	Lock Nut – SP 10-32 .....	4
31	00-425433-00001	Fan – Clip .....	1
32	00-424940-00002	Fan – Cooling (230 V.) .....	1
	00-346357-00001	Thermostat – Hi Limit (Thermodisc) .....	1
	00-357919-00001	Flexible Door Seal Kit .....	1



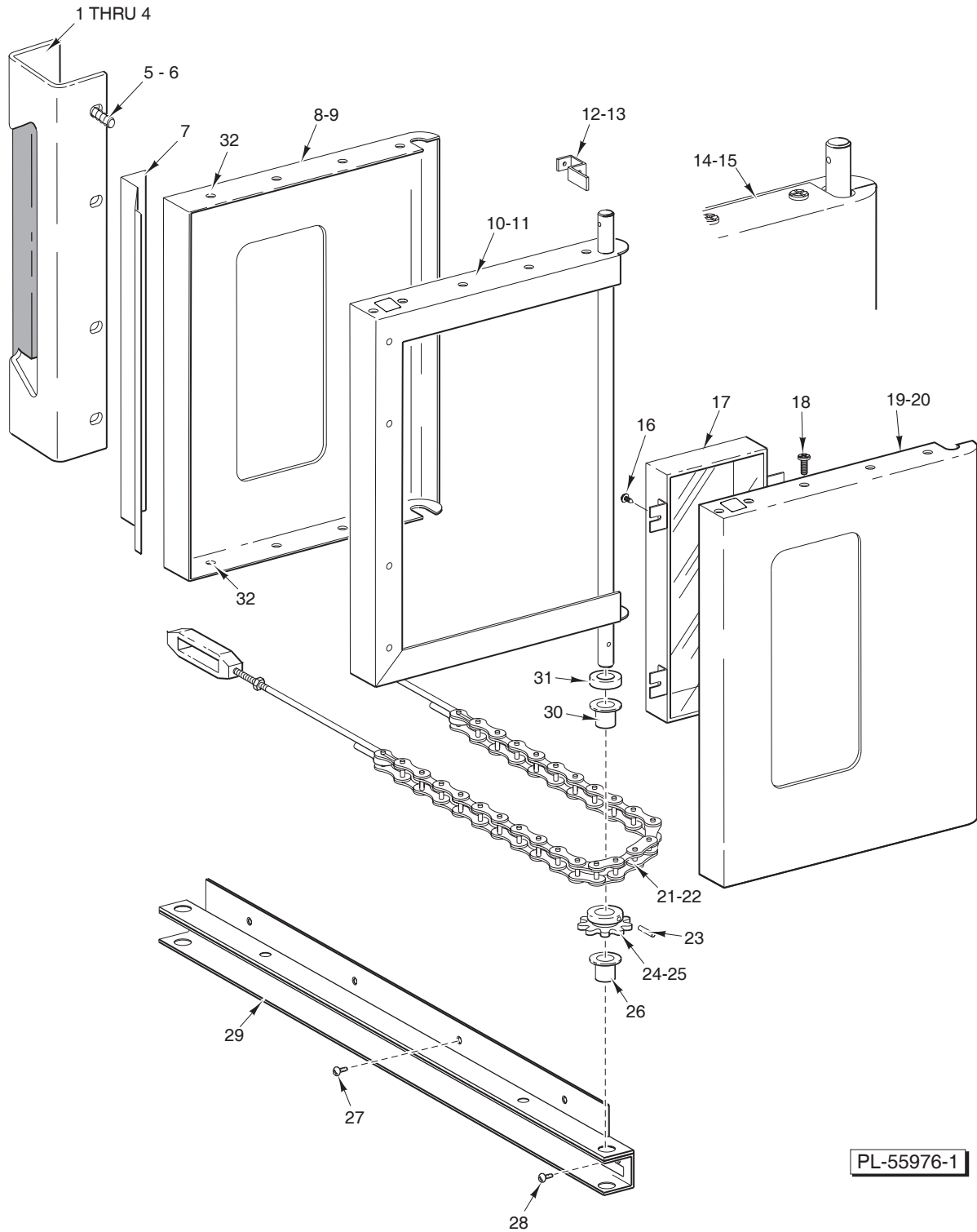
**OVEN  
(RH SIDE)**



**RH CAVITY SIDE**

## OVEN (RH SIDE)

ILLUS. PL-55975A	PART NO.	NAME OF PART	AMT.
1	00-426839-000G1	Back – Panel Assy. ....	1
2	00-423289-000G1	Motor Mount .....	1
3	00-411289-00004	Spacer – Fan Housing .....	4
4	SC-120-15	Mach. Screw 1/4-20 x 4 Rd. Hd. ....	4
5	00-411136-00004	Cover – Fan (60 Hz.) .....	1
6	00-411136-00003	Cover – Fan (50 Hz.) .....	1
7	00-415780-00003	Wheel – Blower (60 Hz.) .....	1
8	00-415780-00005	Wheel – Blower (50 Hz.) .....	1
9	00-358516-00002	Motor 1/2 Hp. (2 Speed) (208-240/50/60/1) .....	1
10	WS-029-46	Washer .....	4
11	NS-046-86	Nut Assy. 3/16-18 KEPS Hex .....	4
12	00-358723-00001	Spacer – Steel .....	2
13	SC-113-65	Cap Screw 3/16-18 x 1 1/4 Hex Hd. ....	4
14	WS-029-46	Washer .....	4
15	FE-002-52	Connector – Conduit 3/8 TS (90 Deg.) .....	1
16	FE-006-05	Lock Nut 1/2 .....	1
17	00-414540-00B35	Conduit 3/8 x 35 Lg. ....	1
18	00-342285-00001	Bushing – Plastic .....	2
19	FE-002-03	Connector – Conduit 3/8 TS Straight .....	1
20	00-411496-000F1	Switch – Micro .....	1
21	NS-038-08	Lock Nut 1/4-20 Hex .....	2
22	WS-029-49	Washer .....	2
23	00-425324-00001	Bracket – Door Switch .....	1
24	00-411265-00011	Rack Assy. (VC4) .....	AR
25	00-411265-00010	Rack Assy. (VC6) .....	AR
26	00-426635-00001	Element – (2000 W.) (208 V.) .....	6
27	00-426635-00002	Element – (2000 W.) (240 V.) .....	6
28	00-426635-00003	Element – (2000 W.) (480 V.) .....	6
29	00-357036-00002	Oven Lamp (40 W.) (250 V.) .....	2
30	00-423832-00001	Cover – Light (Metal) .....	2
31	00-357036-00003	Lens – Lamp Glass .....	2
32	00-353589-00001	Probe (“D” Models) .....	1
33	00-920883-00003	Probe (“C” Models) .....	1
34	00-417856-00001	Lug – Grounding (With Set Screw) .....	1
35	00-424140-00002	Panel – Exterior (RH) (VC4) (SST) .....	1
36	00-424228-00002	Panel – Exterior (RH) (VC6) (SST) .....	1
37	00-341564-00003	Handle .....	1
38	00-426804-000G1	Vent Slide Assy. (Incls. Item 38) .....	1
39	<b>00-499278-00001</b>	<b>Probe Guard (New Style) .....</b>	<b>1</b>
40	SD-032-07	Screw, 10-24 x 1/2 Hex Hd. ....	2
	00-355154-00002	Pan – Drip (VC4) .....	1
	00-355154-00003	Pan – Drip (VC6) .....	1

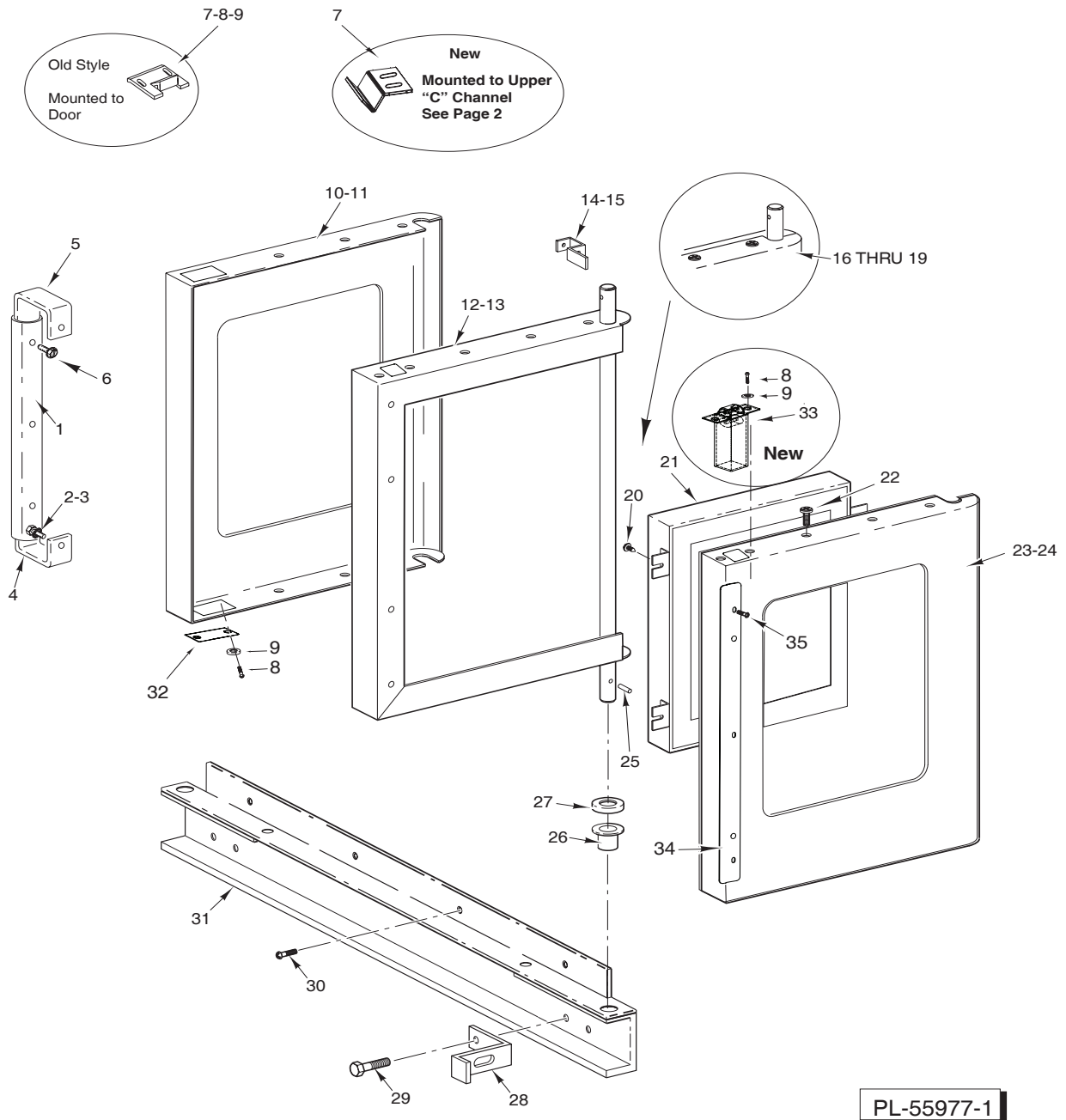


PL-55976-1

**DOOR ASSEMBLY  
(SIMULTANEOUSLY OPENING DOORS)**

**DOOR ASSEMBLY  
(SIMULTANEOUSLY OPENING DOORS)**

ILLUS.	PART NO.	NAME OF PART	AMT.
PL-55976-1			
1	00-356562-00001	Handle – Door .....	1
2	00-356563-00003	Grip – Front .....	1
3	00-356563-00004	Grip – Rear .....	1
4	SC-113-98	Mach. Screw 10-24 x 1/2 Hex Washer Hd. ....	3
5	SC-041-01	Cap Screw 1/4-20 x 3/4 Hex Hd. (SST) .....	4
6	WL-019-37	Lockwasher 1/4 Internal .....	4
7	00-356550-00001	Latch – Friction .....	1
8	00-421913-00003	Shell – Outer Door (LH) (W/Window) .....	1
	00-421913-00004	Shell – Outer Door (LH) (W/O Window) .....	1
9	00-421913-00001	Shell – Outer Door (RH) (W/Window) .....	1
	00-421913-00002	Shell – Outer Door (RH) (W/O Window) .....	1
10	00-421904-000G1	Frame Assy. – Door (LH) .....	1
11	00-421905-000G1	Frame Assy. – Door (RH) .....	1
12	00-424163-00001	Lever – Door Switch .....	1
13	SD-034-52	Self-Tapping Screw 8-32 x 1 Hex Washer Hd., Type T .....	1
14	<b>00-499289-000G1</b>	<b>Door Assy. (LH) (W/Window) (Chain Doors) (New Style) .....</b>	<b>1</b>
	<b>00-499289-000G2</b>	<b>Door Assy. (LH) (W/O Window) (Chain Doors) (New Style) .....</b>	<b>1</b>
	00-424730-00001	Door Assy. (LH) (W/Window) (Chain Doors) (Old Style) .....	1
15	<b>00-499290-000G1</b>	<b>Door Assy. (RH) (W/Window) (Chain Doors) (New Style) .....</b>	<b>1</b>
	<b>00-499290-000G2</b>	<b>Door Assy. (RH) (W/O Window) (Chain Doors) (New Style) .....</b>	<b>1</b>
	00-424731-00001	Door Assy. (RH) (W/Window) (Chain Doors) (Old Style) .....	1
16	SD-034-62	Self-Tapping Screw 10-32 x 1/2 Hex Washer Hd., Type T .....	4
17	00-358534-00001	Window Assy. ....	1
18	SD-034-22	Mach. Screw .....	9
19	00-358532-00001	Shell – Inner Door (LH & RH) (W/Window) .....	1
20	00-358533-00003	Shell – Inner Door (LH & RH) (W/O Window) .....	1
21	00-343608-00002	Door Chain & Turnbuckle Assy. ....	2
22	00-352667-00001	Cable – Door Stop .....	1
23	PS-004-11	Spiral Pin 3/16 x 1 1/4 .....	2
24	00-342166-00001	Sprocket – Door Shaft .....	2
25	SC-047-28	Set Screw 1/4-28 x 3/8 Hex Hdls., Cup Pt. ....	2
26	00-347080-00002	Bearing – Door Shaft .....	2
27	SC-022-40	Mach. Screw 1/4-20 x 3/4 Phil. Flat Hd. ....	4
28	SC-113-90	Mach. Screw 1/4-20 x 3/4 Hex Hd. ....	2
29	<b>00-499300-000G1</b>	<b>Channel – Door Sill Weldment (New Style) .....</b>	<b>1</b>
	00-357846-00001	Channel – Door Sill Weldment (Old Style) .....	1
30	00-347080-00002	Bearing – Door Shaft Warmer .....	2
31	00-343143-00002	Washer .....	2
32	SC-117-73	Mach. Screw 10-32 x 5/8 .....	2
	00-520228	Adhesive – Loctite 242 (Use W/Item 25) (50 cc Bottle) .....	AR



**DOOR ASSEMBLY  
(INDEPENDENTLY OPENING DOORS)**

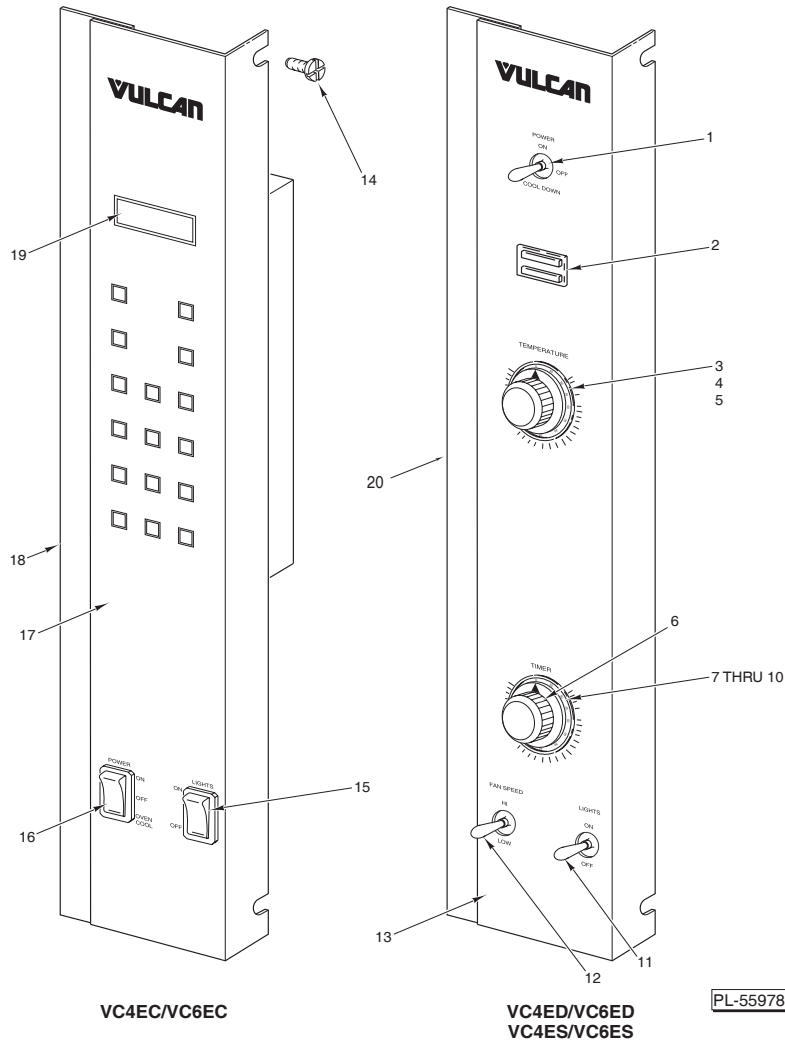


## DOOR ASSEMBLY (INDEPENDENTLY OPENING DOORS)

ILLUS. PL-55977-1	PART NO.	NAME OF PART	AMT.
1	00-357929-00002	Handle – Door .....	1
2	SC-041-01	Cap Screw 1/4-20 x 3/4 Hex Hd. (SST) (Prior to November 2005) .....	2
3	WL-019-37	Lockwasher 1/4 Internal (Prior to November 2005) .....	2
4	00-358728-00001	Handle – End Piece (Prior to November 2005) .....	1
5	00-358728-00001	Handle – End Piece (Prior to November 2005) .....	1
6	SC-113-98	Mach. Screw 10-24 x 1/2 Hex Washer Hd. ....	3
7	<b>00-497585-00001</b>	<b>Strike Plate (New Style) (Attaches to Upper “C” Channel Assy.) (See Pg. 2) .....</b>	<b>2</b>
	00-423847-00001	Strike – Door (Old Style) (Mounted on Door) .....	1
8	SC-117-73	Screw .....	4
9	WL-019-35	Lockwasher .....	4
10	00-358600-00001	Shell – Outer Door (LH & RH) (W/Window) .....	1
11	00-358600-00002	Shell – Outer Door (LH & RH) (W/O Window) (Not Shown) .....	1
12	00-421905-000G1	Frame Assy. – Door (RH) .....	1
13	00-421904-000G1	Frame Assy. – Door (LH) ) .....	1
14	00-424163-00001	Lever – Door Switch .....	1
15	SD-034-52	Self-Tapping Screw 8-32 x 1 Hex Washer Hd., Type T .....	1
16	<b>00-499285-000G1</b>	<b>Door Assy. (LH) (W/Window) (Independent Doors) (New Style) .....</b>	<b>1</b>
	00-358529-00005	Door Assy. (LH) (W/Window) (Independent Doors) (Old Style) .....	1
17	<b>00-499285-000G2</b>	<b>Door Assy. (LH) (W/O Window) (Independent Doors) (New Style) .....</b>	<b>1</b>
	00-358529-00006	Door Assy. (LH) (W/O Window) (Independent Doors) (Old Style) .....	1
18	<b>00-499286-000G1</b>	<b>Door Assy. (RH) (W/Window) (Independent Doors) (New Style) .....</b>	<b>1</b>
	00-358530-00003	Door Assy. (RH) (W/Window) (Independent Doors) (Old Style) .....	1
19	<b>00-499286-000G2</b>	<b>Door Assy. (RH) (W/O Window) (Independent Doors) (New Style) .....</b>	<b>1</b>
	00-358530-00004	Door Assy. (RH) (W/O Window) (Independent Doors) (Old Style) .....	1
20	SD-034-22	Self-Tapping Screw 10-32 x 1/2 Hex Washer Hd., Type T .....	4
21	00-358534-00001	Window Assy. ....	1
22	SD-034-22	Mach. Screw .....	8
23	00-358532-00001	Shell – Inner Door (LH & RH) (W/Window) .....	1
24	00-358533-00003	Shell – Inner Door (Solid) (LH & RH) (W/O Window) .....	1
25	PS-004-11	Spiral Pin 3/16 x 1 1/4 .....	1
26	00-347080-00002	Bearing – Door Shaft .....	1
27	00-343143-00002	Washer .....	2
28	<b>00-499263-00001</b>	<b>Door Stop (New Style) .....</b>	<b>1</b>
	00-424158-00001	Door Stop (Old Style) .....	1
29	SC-113-90	Mach. Screw 1/4-20 x 3/4 Hex Hd. ....	2
30	SC-022-40	Mach. Screw 1/4-20 x 3/4 Phil. Flat Hd. ....	4
31	<b>00-499262-00001</b>	<b>Channel – Door Sill Weldment (New Style) .....</b>	<b>1</b>
	00-357846-00001	Channel – Door Sill Weldment (Old Style) .....	1
32	<b>00-499264-00001</b>	<b>Cover, Cutout .....</b>	<b>1</b>
33	<b>00-497586-00001</b>	<b>Roller Latch (New Style) .....</b>	<b>2</b>
	00-347545-00001	Roller Ball Door Latch (Old Style) (Mounted on “C” Channel) .....	1
34	00-357837-00001	Door End Seal (LH) .....	1
35	SC-113-78	Mach. Screw .....	3

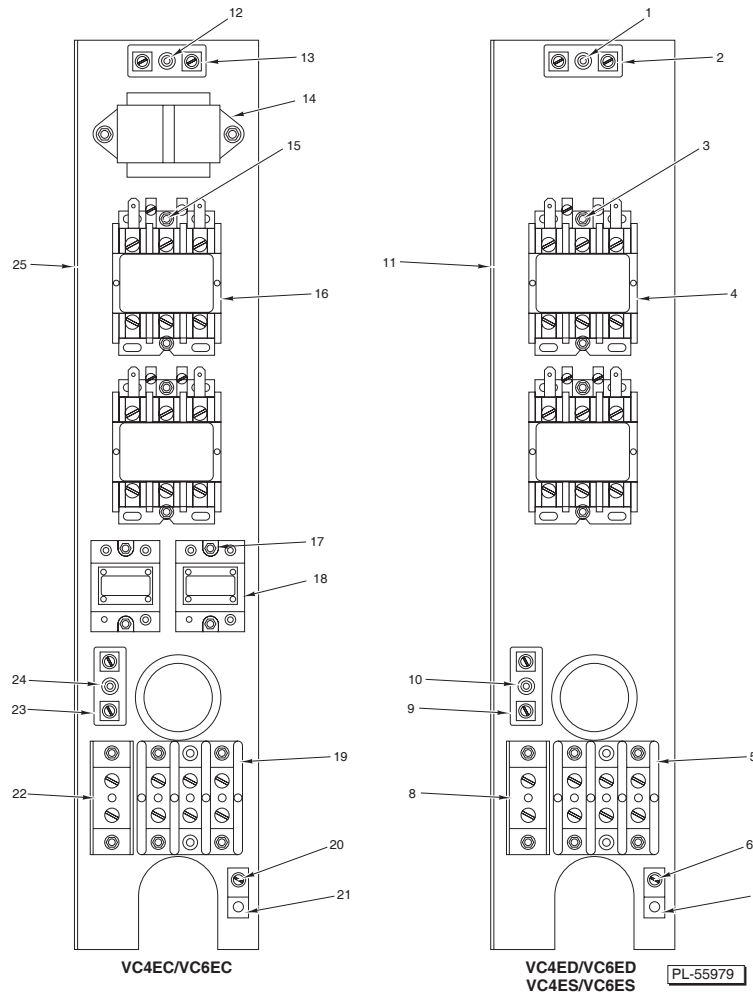
NOTE: When ordering items 10 or 11 for an old style oven, 2 of part 499264-1, 4 of part SC-117-73 and 4 of part WL-019-35 are also needed.

ELECTRIC CONVECTION OVENS REPLACEMENT PARTS



CONTROL PANEL

ILLUS.	PART NO.	NAME OF PART	AMT.
PL-55978-1			
1	00-340324-00008	Switch (Hold) .....	1
2	00-354575-00001	Light – Indicator (On/Heat) (200-240 V.) .....	1
3	00-411242-00001	Knob .....	1
4	00-353613-00002	Controller – Temperature (SS) (500 Deg.) (“D” Model) .....	1
5	00-411506-00003	Thermostat (“S” Model) (Prior to 02/2001) .....	1
6	00-411242-00001	Knob .....	1
7	00-411690-00002	Timer (240 V.) (1 Hr.) (60 Hz.) .....	1
8	00-411690-00004	Timer (240 V.) (5 Hr.) (60 Hz.) .....	1
9	00-411690-00005	Timer (240 V.) (1 Hr.) (50 Hz.) .....	1
10	00-411690-00006	Timer (240 V.) (5 Hr.) (50 Hz.) .....	1
11	00-340324-00012	Switch (S.P.S.T.) .....	1
12	00-340324-00009	Switch (D.P.D.T.) .....	1
13	00-426719-00001	Overlay – Panel (“S” Model) .....	1
	00-426855-00001	Overlay – Control Panel (“D” Model) .....	1
	SD-037-02	Self-Tapping Screw 10-16 x 1/2 Hex Washer Hd., Type AB .....	3
14	00-358628-00002	Switch – Rocker (2 Position) .....	1
15	00-358628-00001	Switch – Rocker (3 Position) .....	1
16	00-426930-00001	Overlay – Control Panel .....	1
17	00-426930-00001	Overlay – Control Panel .....	1
18	<b>00-499301-000G1</b>	<b>Control Panel Weldment (“C” Model) (New Style) .....</b>	<b>1</b>
	00-424842-000G1	Control Panel Weldment (“C” Model) (Old Style) .....	1
19	00-424846-00001	Controller (Watlow #734) (“C” Model) .....	1
20	<b>00-499296-000G1</b>	<b>Control Panel Weldment (“D” Model) (New Style) .....</b>	<b>1</b>
	00-426206-000G1	Control Panel Weldment (“D” Model) (Old Style) .....	1
	00-411499-00003	Buzzer (230 V.) .....	1
	00-423918-00001	Electronic Beeper .....	1



COMPONENT PANEL

ILLUS.	PART NO.	NAME OF PART	AMT.
PL-55979			
1	SD-034-52	Self-Tapping Screw 8-32 x 1 Hex Washer Hd., Type T	1
2	00-417934-000G1	Porcelain – Block Assy.	1
3	SD-032-07	Self-Tapping Screw 10-24 x 1/2 Hex Washer Hd., Type TT	4
4	00-411497-000C5	Contactor (3 Pole)	2
5	00-410472-00008	Terminal Block	1
6	SD-032-07	Self-Tapping Screw 10-24 x 1/2 Hex Washer Hd., Type TT	1
7	00-417856-00001	Lug – Grounding (With Set Screw)	1
8	00-410472-00009	Block – Terminal (1 Pole)	1
9	00-417934-000G1	Porcelain – Block Assy.	1
10	SD-034-52	Self-Tapping Screw 8-32 x 1 Hex Washer Hd., Type T	1
11	00-422155-00001	Component Panel	1
12	SD-034-52	Self-Tapping Screw 8-32 x 1 Hex Washer Hd., Type T	1
13	00-417934-000G1	Porcelain – Block Assy.	1
14	00-421758-000G2	Transformer (208-240 V.) (Prior to November 11, 2002)	1
	00-421758-000G4	Transformer Assy. (November 11, 2002 to Present)	1
15	SD-032-07	Self-Tapping Screw 10-24 x 1/2 Hex Washer Hd., Type TT	4
16	00-411497-000C5	Contactor (3 pole)	2
17	SD-034-52	Self-Tapping Screw 8-32 x 1 Hex Washer Hd., Type T	4
18	00-821875-00002	Relay – Solid State (50 Amp.)	2
19	00-410472-00008	Terminal Block	1
20	SD-032-07	Self-Tapping Screw 10-24 x 1/2 Hex Washer Hd., Type TT	1
21	00-417856-00001	Lug – Grounding (With Set Screw)	1
22	00-410472-00009	Block – Terminal (1 Pole)	1
23	00-417934-000G1	Porcelain – Block Assy.	1
24	SD-034-52	Self-Tapping Screw 8-32 x 1 Hex Washer Hd., Type T	1
25	00-422155-00001	Component Panel	1

**RECOMMENDED SPARE PARTS**

PART NO.	NAME OF PART	AMT.
00-353589-00001	Probe ("D" Model) .....	2
00-340324-00009	Switch (D.P.D.T.) (Fan Speed) (Toggle) .....	2
00-340324-00012	Switch (S.P.S.T.) (Lights) (Toggle) .....	2
00-358628-00002	Rocker Switch Lights .....	2
00-424940-00002	Cooling Fan (240V) .....	2
00-353613-00002	Temperature Control ("D" Model) .....	2
00-411242-00001	Control Knob .....	2
00-411690-00002	Timer (1 Hour) (240V) .....	2
00-411499-00003	Buzzer .....	2
00-411496-000F1	Door Switch .....	2
00-346357-00001	High Limit .....	2
00-411497-000C5	Contactora (3-pole) .....	2
00-340324-00008	Toggle Switch (ON/OFF) .....	2
00-411500-00013	Transformer (240V/24V) (40VA) .....	2
FE-023-55	Fuse Holder .....	4
FE-019-40	Fuse (15-amp) .....	4
00-426635-00001	Element (208V) .....	2
00-426635-00002	Element (240V) .....	2
00-426635-00003	Element (480V) .....	2
00-821875-00002	SST Relay (50-amp) .....	2
00-920883-00003	Temperature Probe Computer .....	2
00-424846-00001	Computer Controller (Watlow) .....	AR
00-358516-00002	Blower Motor (2-speed, 1/3 HP) .....	AR
00-358628-00001	ON/OFF Cool Down Switch Computer .....	2
00-357036-00002	Oven Lamp Assy. ....	1
00-411506-00003	KX Thermostat ("S" Model) (Prior to 2001) .....	2
<b>00-497585-00001</b>	<b>Strike Plate (New Style) (Mounted on "C" Channel) .....</b>	<b>2</b>
00-423847-00001	Door Strike (Old Style) (Mounted on Doors) .....	1
<b>00-497586-00001</b>	<b>Roller Latch (New Style) (Mounted on Doors) .....</b>	<b>2</b>
00-347545-00001	Roller Latch (Old Style) (Mounted on "C" Channel) .....	1

## Free Manuals Download Website

<http://myh66.com>

<http://usermanuals.us>

<http://www.somanuals.com>

<http://www.4manuals.cc>

<http://www.manual-lib.com>

<http://www.404manual.com>

<http://www.luxmanual.com>

<http://aubethermostatmanual.com>

Golf course search by state

<http://golfingnear.com>

Email search by domain

<http://emailbydomain.com>

Auto manuals search

<http://auto.somanuals.com>

TV manuals search

<http://tv.somanuals.com>