



## VBP33

### 6 PAN CONVECTION OVEN HOLDING CABINET

Model VBP33



#### STANDARD FEATURES

- Fits on top of Vulcan Convection Oven models VC4G, VC44G, SG4D, SG44D, VC4E, VC44E
- Three level holding cabinet accepts six 18" x 26" pans
- Heavy duty 20 gauge polished stainless steel cabinet
- Stainless steel doors with heavy duty hinges, magnetic closer, and long lasting gaskets
- Fixed interior pan supports are removable for easy cleaning
- Recessed control panel includes power "on" and heater "on" indicator lights, dial thermostat adjustable from 60°F to 190°F, and temperature read-out dial
- Two 600 watt metal sheathed heating elements, 10 amps total draw
- Requires 120 volt, 60 Hz, single phase power supply
- Furnished with 6 feet power cord and NEMA 5-15 plug
- Lifetime warranty on the heating elements
- One year limited parts and labor warranty

#### SPECIFICATIONS

Three level convection oven holding cabinet, Vulcan Hart Model No. VBP33. Heavy duty 20 gauge polished stainless steel cabinet. Stainless steel door with heavy duty hinges, magnetic closer, and long lasting gaskets. Interior pan supports are removable for easy cleaning. Accepts six 18" x 26" pans. Recessed control panel includes power "on" and heater "on" indicator lights, dial thermostat adjusts from 60°F to 190°F, and temperature read-out dial. Two 600 watt metal sheathed heating elements, 10 amps total draw. Lifetime warranty on the heating elements. Requires 120 volt, 60 Hz. single phase power supply. Furnished with 6 feet power cord and NEMA 5-15 plug.

**Exterior Dimensions:** 25 1/4" W x 30 3/4" D x 43 1/2" H

UL listed. UL listed to Canadian safety standards



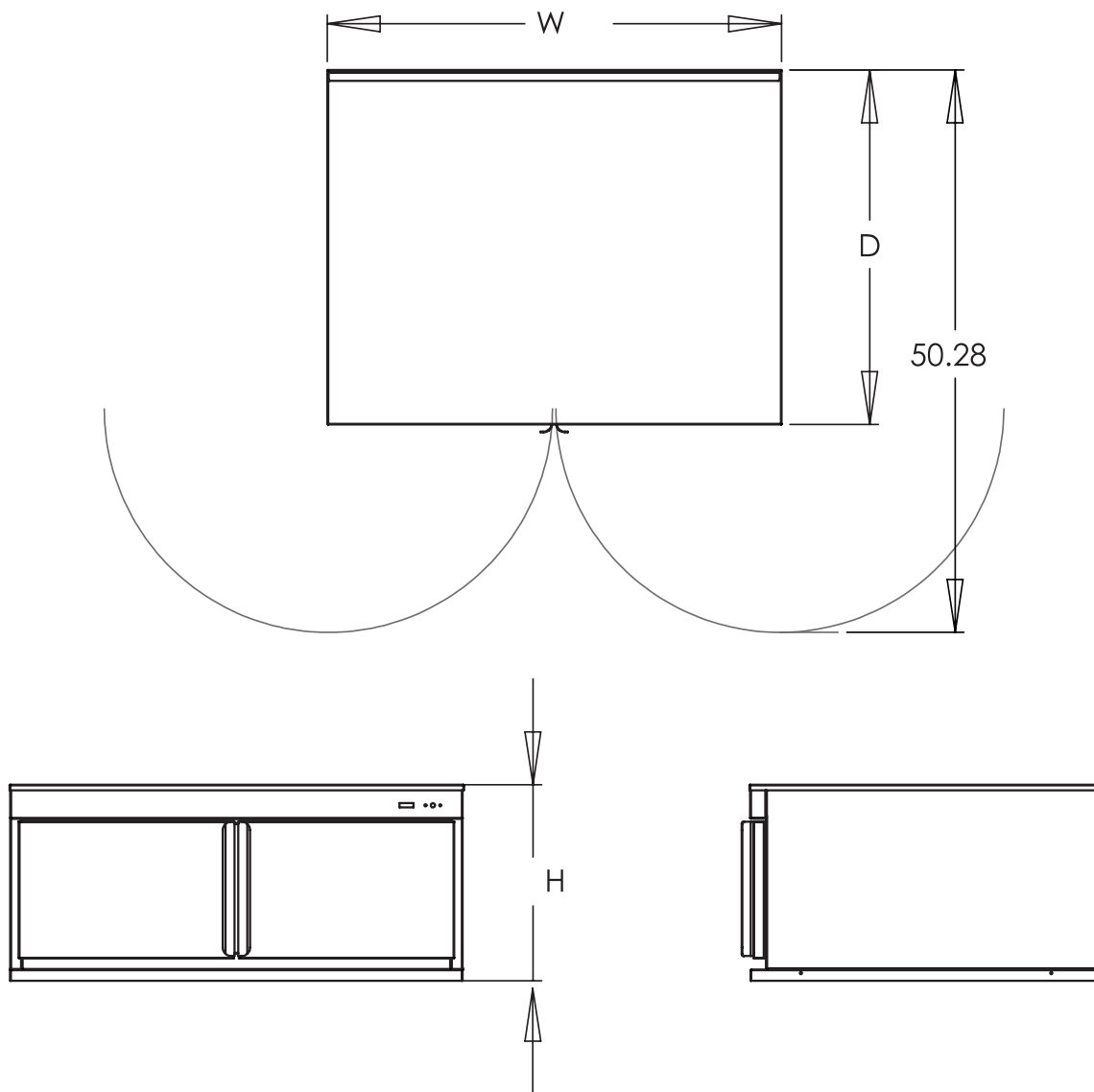
**Vulcan & Wolf Range**

a division of ITW Food Equipment Group LLC

P.O. Box 696 ■ Louisville, KY 40201 ■ Toll-free: 1-800-814-2028 ■ Local: 502-778-2791 ■ Quote & Order Fax: 1-800-444-0602



## VBP33 6 PAN CONVECTION OVEN HOLDING CABINET



CAPACITY	DIMENSIONS	ELECTRICAL		
	EXTERIOR DIMENSIONS	VOLTS	WATTS	AMPS
18" X 26" PANS				
6	25 1/4" W x 30 3/4" D x 43 1/2" H	120	1,200	10

*Vulcan & Wolf Range reserves the right to change materials and specifications without notice.*



**Vulcan & Wolf Range**  
a division of ITW Food Equipment Group LLC

P.O. Box 696 ■ Louisville, KY 40201 ■ Toll-free: 1-800-814-2028 ■ Local: 502-778-2791 ■ Quote & Order Fax: 1-800-444-0602

## Free Manuals Download Website

<http://myh66.com>

<http://usermanuals.us>

<http://www.somanuals.com>

<http://www.4manuals.cc>

<http://www.manual-lib.com>

<http://www.404manual.com>

<http://www.luxmanual.com>

<http://aubethermostatmanual.com>

Golf course search by state

<http://golfingnear.com>

Email search by domain

<http://emailbydomain.com>

Auto manuals search

<http://auto.somanuals.com>

TV manuals search

<http://tv.somanuals.com>