

VULCAN

INSTALLATION & OPERATION MANUAL

SG SERIES GAS SNORKEL™ CONVECTION OVENS

MODELS

SG4D	ML-114875
SG4C	ML-114876
SG6D	ML-114877
SG6C	ML-114878



For additional information on Vulcan-Hart or to locate an authorized parts and service provider in your area, visit our website at www.vulcanhart.com

VULCAN-HART
DIVISION OF ITW FOOD EQUIPMENT GROUP, LLC

P.O. BOX 696, LOUISVILLE, KY 40201-0696
TEL. (502) 778-2791

WWW.VULCANHART.COM

FORM 35624 REV. A (08-04)
(Formerly F-31024 & F-33220)

IMPORTANT FOR YOUR SAFETY

THIS MANUAL HAS BEEN PREPARED FOR PERSONNEL QUALIFIED TO INSTALL GAS EQUIPMENT, WHO SHOULD PERFORM THE INITIAL FIELD START-UP AND ADJUSTMENTS OF THE EQUIPMENT COVERED BY THIS MANUAL.

POST IN A PROMINENT LOCATION THE INSTRUCTIONS TO BE FOLLOWED IN THE EVENT THE SMELL OF GAS IS DETECTED. THIS INFORMATION CAN BE OBTAINED FROM THE LOCAL GAS SUPPLIER.

IMPORTANT

IN THE EVENT A GAS ODOR IS DETECTED, SHUT DOWN UNITS AT MAIN SHUTOFF VALVE AND CONTACT THE LOCAL GAS COMPANY OR GAS SUPPLIER FOR SERVICE.

FOR YOUR SAFETY

DO NOT STORE OR USE GASOLINE OR OTHER FLAMMABLE VAPORS OR LIQUIDS IN THE VICINITY OF THIS OR ANY OTHER APPLIANCE.

WARNING

IMPROPER INSTALLATION, ADJUSTMENT, ALTERATION, SERVICE OR MAINTENANCE CAN CAUSE PROPERTY DAMAGE, INJURY OR DEATH. READ THE INSTALLATION, OPERATING AND MAINTENANCE INSTRUCTIONS THOROUGHLY BEFORE INSTALLING OR SERVICING THIS EQUIPMENT.

IN THE EVENT OF A POWER FAILURE, DO NOT ATTEMPT TO OPERATE THIS DEVICE.

TABLE OF CONTENTS

GENERAL	4
INSTALLATION	5
Unpacking	5
Location	5
Installation Codes and Standards	5
Installing Basic Oven	6
Assembling Stacked Ovens	8
Leveling	9
Electrical Connections	9
Gas Connections	10
Testing the Gas Supply System	10
Adjustments	10
Vent System	11
OPERATION	12
Controls — Models SG4D and SG6D	12
Before First Use	13
Lighting the SG4D and SG6D Ovens	14
Using the SG4D and SG6D Ovens	14
Controls — Models SG4C and SG6C	15
Before First Use	21
Lighting the SG4C and SG6C Ovens	21
Using the SG4C and SG6C Ovens	21
Error Messages — SG4C and SG6C Ovens	22
Roast and Hold Operation	23
Rack Arrangements	24
Conserving Energy	25
Cooking Guidelines	25
High Limit Switch	29
Cleaning	30
MAINTENANCE	31
Lubrication	31
Vent	31
Replacing Lamps	31
Service and Parts Information	31
TROUBLESHOOTING GUIDE	32

Installation, Operation and Care of MODEL SG4D, SG4C, SG6D & SG6C GAS SNORKEL™ CONVECTION OVENS

PLEASE KEEP THIS MANUAL FOR FUTURE USE

GENERAL

Vulcan Gas Snorkel™ Convection Ovens are produced with quality workmanship and material. Proper installation, usage and maintenance of your oven will result in many years of satisfactory performance.

It is suggested that you thoroughly read this entire manual and carefully follow all of the instructions provided.

Models SG4D and SG6D feature a solid state temperature control, 1-hour dial timer with buzzer, two-speed 1/3 HP (0,25 kw) blower motor and porcelain interior as standard equipment. Each SG4D and SG4C oven is equipped with a 60,000 BTU/hr. burner.

Models SG4C and SG6C are equipped with electronic time and temperature controls, two-speed 1/3 HP (0,25 kw) blower motor, a roast-and-hold feature, and porcelain interior as standard equipment. Each SG6D and SG6C oven is equipped with a 60,000 BTU/hr. burner.

Models SG6D and SG6C have a deeper oven cavity.

Models SG44D, SG44C, SG66D, and SG66C consist of two single ovens and are supplied with a stacking kit for mounting one oven on top of the other.

All ovens are equipped with a power level control which permits variation of the heat input between 22% and 100% of full input.

All standard 120 volt ovens require single phase electrical service and are equipped with a 3 prong grounding plug.

Oven doors open independently and all ovens are furnished with 5 racks.

Available options are simultaneous oven door opening, a 5-hour timer, 208/240 volt electrical service with hard wire connection direct to the terminal block supplied with the oven, additional oven racks, and an open stand with lower storage rack.

FEATURES

Model	Thermostat (Each Oven)	Timer (Each Oven)	Stack Kit	Roast & Hold	Legs
SG4D/SG6D	Solid State	1-Hour Dial			25 ³ / ₄ " (654 mm)
SG44D/SG66D	Solid State	1-Hour Dial	X		8" (203 mm)
SG4C/SG6C	Electronic	Electronic		X	25 ³ / ₄ " (654 mm)
SG44C/SG66C	Electronic	Electronic	X	X	8" (203 mm)

INSTALLATION

Before installing, verify that the electrical service and type of gas supply (natural or propane) agree with the specifications on the rating plate located behind the top trim panel on the front of the oven. If the supply and equipment requirements do not agree, do not proceed with the installation. Contact your dealer or Vulcan-Hart immediately.

UNPACKING

This oven was inspected before leaving the factory. The transportation company assumes full responsibility for safe delivery upon acceptance of the shipment. Immediately after unpacking, check for possible shipping damage. If the oven is found to be damaged, save the packaging material and contact the carrier within 15 days of delivery.

Carefully unpack oven and place in a work-accessible area as near to its final installed position as possible.

Do not use the doors or their handles to lift the oven.

LOCATION

The equipment area must be kept free and clear of combustible substances.

When installed, minimum clearance from combustible construction must be 1" (25 mm) at the left side 4" (102 mm) at the right side, and 6" (152 mm) at the rear. Minimum clearance from noncombustible construction must be 0" at the left side, 4" at the right side and 6" (152 mm) at the rear. The oven may be installed on combustible floors.

The installation location must allow adequate clearances for servicing and proper operation.

The oven must be installed so that the flow of combustion and ventilation air will not be obstructed. Adequate clearance for air openings into the combustion chamber must be provided. Make sure there is an adequate supply of air in the room to allow for that required for combustion of gas at the oven burners.

Do not permit fans to blow directly at the oven. Wherever possible, avoid open windows next to the oven. Avoid wall-type fans which create air cross currents within the room.

INSTALLATION CODES AND STANDARDS

Vulcan ovens must be installed in accordance with:

In the United States of America:

1. State and local codes.
2. National Fuel Gas Code, ANSI-Z223.1 (latest edition). Copies may be obtained from The American Gas Association, Inc., 1515 Wilson Blvd., Arlington, VA 22209.
3. National Electrical Code, ANSI/NFPA-70 (latest edition). Copies may be obtained from The National Fire Protection Association, Batterymarch Park, Quincy, MA 02269.

In Canada:

1. Local codes.
2. CSA B149.1 Natural Gas and Propane Installation Code.
3. CSA C22.1 Canadian Electrical Code.

The above are available from the Canadian Standard Association, 5060 Spectrum Way, Suite 100, Mississauga, Ontario, Canada L4W 5N6.

INSTALLING BASIC OVEN

The basic oven must be installed on legs, casters or mounted on a modular stand. Installations on concrete bases or other supports restricting air circulation underneath the oven is not advisable and may void the warranty.

Ovens Mounted on Casters

Ovens mounted on casters must use a flexible connector (not supplied by Vulcan) that complies with the Standard for Connectors for Movable Gas Appliances, ANSI Z21.69 • CSA 6.16 and a quick-disconnect device that complies with the Standard for Quick-Disconnect Devices for Use With Gas Fuel, ANSI-Z21.41 • CSA 6.9. In addition, adequate means must be provided to limit movement of the appliance without depending on the connector and the quick-disconnect device or its associated piping to limit appliance movement. Attach the restraining device at the rear of the oven as shown in Fig. 1.

If disconnection of the restraint is necessary, turn off the gas supply before disconnection. Reconnect this restraint prior to turning the gas supply on and returning the oven to its installation position.

Separate instructions for installing casters to the oven are included with the casters.

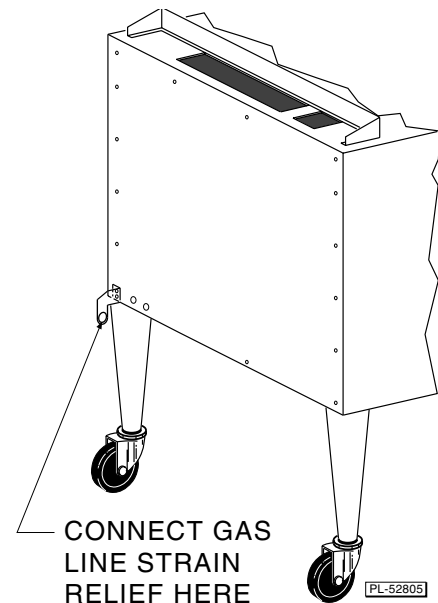


Fig. 1

Note: If the oven is installed on casters and is moved for any reason, it is recommended that the oven be leveled front to back and side to side for even baking.

Assembling the Legs to the Oven

The legs must be installed on the bottom of the oven. Position oven on its back, taking care not to scratch or damage it. The gas pipe connection protrudes beyond the back; provide for this when the oven is tipped back by resting it on suitable spacers (2 x 4's [51 x 102 mm], etc.).

Attach each of the four leg assemblies to the bottom of the oven with the 24 bolts and lockwashers (6 per leg). Carefully raise the oven to its normal position.

Assembling the Stand to the Oven

Attach each of the four leg assemblies to the bottom of the oven with the 24 bolts and lockwashers (6 per leg). Carefully raise the oven to its normal position.

Attach the undershelf to the legs with 8 bolts and lockwashers (2 per leg).

Install the rack guides into the shelf at desired locations (for pan or flat rack), then attach the rack supports to the top end of the rack guides. Attach rack supports to the leg assembly by removing one middle bolt and reattaching back through the end holes in the rack support. (Fig. 2)

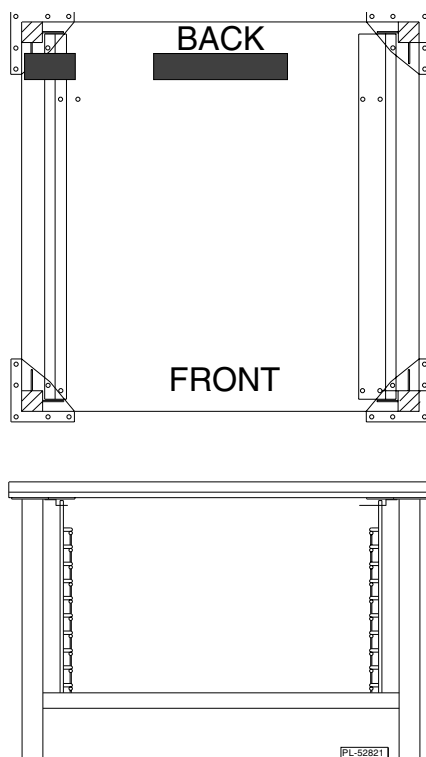


Fig. 2

ASSEMBLING STACKED OVENS

Unpack the ovens and stack kit. Position the oven to be used as the bottom oven on its back for access to the oven bottom, taking care not to scratch or damage it. The gas pipe protrudes beyond the back; provide for this when the oven is tipped back by resting it on suitable spacers (2 x 4's [51 x 102 mm], etc.). Attach the four leg assemblies with the 24 bolts and lockwashers (6 per leg).

Place the lower oven (with legs/casters) on the floor and remove two $\frac{7}{16}$ " (11 mm) diameter knockouts on each side of the top cover. Remove vent guard and discard it.

Move the oven (with legs/casters) to the installed position and place upper oven on top of lower oven using the locating studs.

Remove the rear panel from the TOP oven. Install the two-piece stacking common flue (Fig. 3) with the four screws provided. Replace the top oven rear panel.

Connect the piping between the top oven and bottom oven. Pipe compound must be suitable for the type of gas being used (natural or propane).

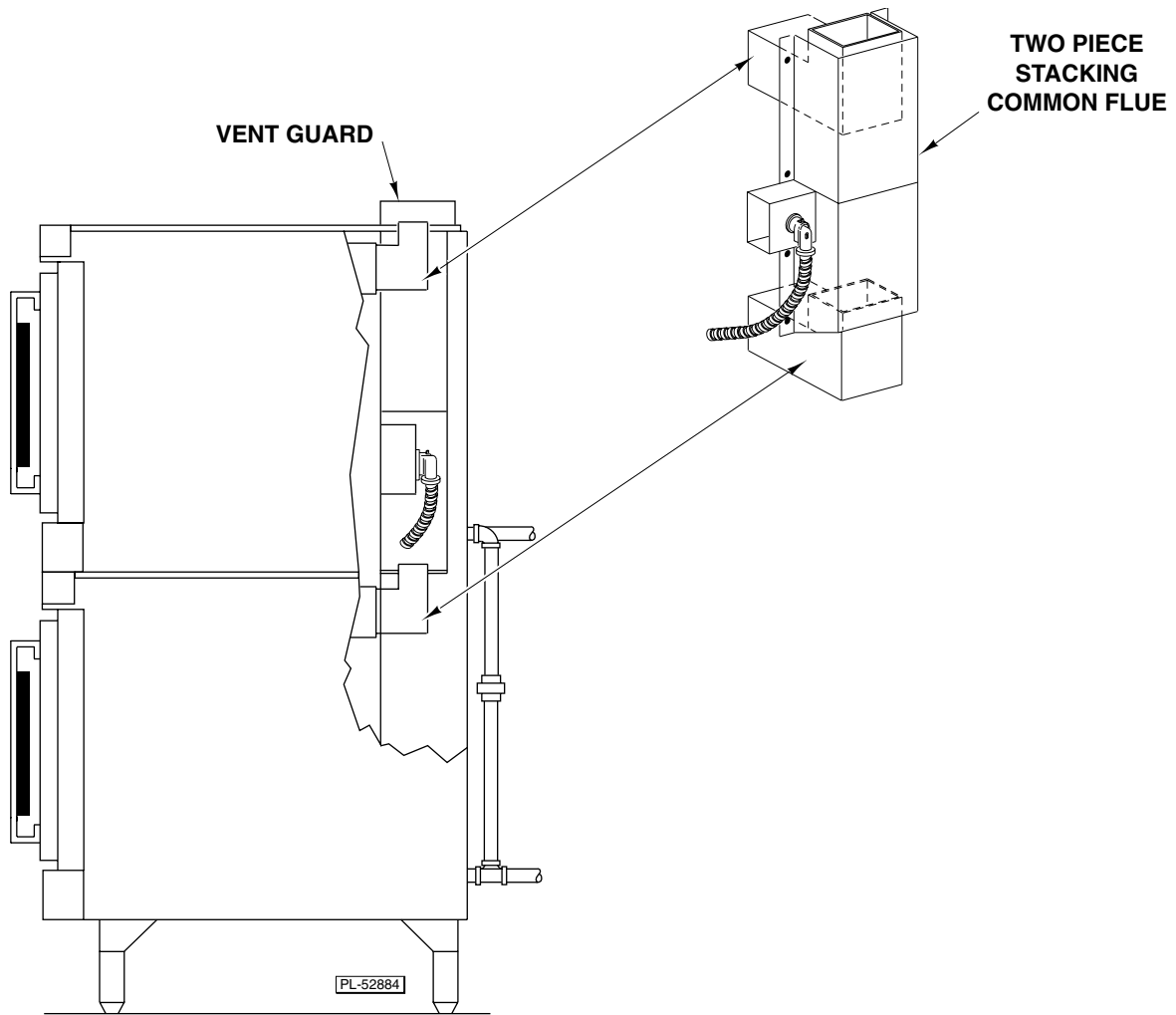


Fig. 3

The manual gas valve, located behind the small door in the lower front panel, should remain off until all electrical and gas connections are made and the ovens are ready to be used.

LEVELING

Ensure that the oven racks are level in the final installed position. If the oven is installed on legs, turn the adjustable feet in or out to level the oven front-to-back and side-to-side.

ELECTRICAL CONNECTIONS

WARNING: ELECTRICAL AND GROUNDING CONNECTIONS MUST COMPLY WITH THE APPLICABLE PORTIONS OF THE NATIONAL ELECTRICAL CODE AND/OR OTHER LOCAL ELECTRICAL CODES.

WARNING: APPLIANCES EQUIPPED WITH FLEXIBLE ELECTRICAL POWER SUPPLY CORD ARE PROVIDED WITH A THREE-PRONG GROUNDING PLUG. IT IS IMPERATIVE THAT THIS PLUG BE CONNECTED INTO A PROPERLY GROUNDING THREE-PRONG RECEPTACLE. IF THE RECEPTACLE IS NOT THE PROPER GROUNDING TYPE, CONTACT AN ELECTRICIAN. DO NOT REMOVE THE GROUNDING PRONG FROM THIS PLUG.

The SG series ovens are equipped with a 120 volt / 60 Hz. / 1 phase cord and plug.

Refer to the Installation Codes and Standards section of this manual.

A schematic decal is located on the inside of the right side panel.

GAS AND ELECTRICAL DATA

MODEL	GAS DATA				ELECTRICAL DATA
	INPUT BUT/HR		MANIFOLD PRESSURE		AMP LINE
	Natural	Propane	Natural	Propane	120 Volts
SG4D/C SG6D/C	60,000	60,000	3.5" (0.87 kPa)	10" (2.49 kPa)	9 Amps
SG44D/C SG66D/C	120,000	120,000	3.5" (0.87 kPa)	10" (2.49 kPa)	18 Amps

GAS CONNECTIONS

Gas supply connections and any pipe joint compound must be resistant to the action of propane gases.

Location of the gas inlet is at the rear of the oven. Codes require that a gas shutoff valve must be installed in the gas line ahead of the oven.

Connect gas supply after leveling the oven. The gas supply line must be at least the equivalent of $\frac{3}{4}$ " (19mm) iron pipe. Make sure the pipes are clean and free of obstructions, dirt, or pipe joint compound.

The ovens are equipped with fixed burner orifices which match with installation elevation.

The oven is provided with a regulator integral to the gas solenoid valve and requires no external regulator.

Natural gas pressure regulators are preset for 3.5" W.C. (Water Column) (0.87 kPa); propane gas pressure regulators are preset for 10" W.C. (2.49 kPa).

WARNING: PRIOR TO LIGHTING, CHECK ALL JOINTS IN THE GAS SUPPLY LINE FOR LEAKS. USE SOAP AND WATER SOLUTION. DO NOT USE AN OPEN FLAME.

After piping has been checked for leaks, all piping receiving gas should be fully purged to remove air.

TESTING THE GAS SUPPLY SYSTEM

When gas supply pressure exceeds $\frac{1}{2}$ psig (3.45 kPa), the oven and its individual shutoff valve must be disconnected from the gas supply piping system.

When gas supply pressure is $\frac{1}{2}$ psig (3.45 kPa) or less, the oven should be isolated from the gas supply system by closing its individual manual shutoff valve.

ADJUSTMENTS

Air Adjustment

Although main burner air is adjusted before shipment, it should be checked at the time of installation. Excessive air will cause flames to lift off a burner when cold or may cause flash-back during normal cycling of oven, particularly when propane gas is used.

Insufficient air will cause flames to burn with a yellow tip and result in carbon accumulation in the flame chamber and heat exchanger tubes.

Contact your local Vulcan-Hart servicer if required.

VENT SYSTEM

DO NOT obstruct the flow of flue gases from the flue located on the rear of the oven. It is recommended that the flue gases be ventilated to the outside of the building through a ventilation system installed by qualified personnel.

Ovens may use an optional down draft diverter flue method. This optional down draft diverter must be purchased from the oven manufacturer and vented to the outside; otherwise, the installation of any such device will void all oven certifications and warranties. When the diverter is supplied, it may be connected to a Type "B" vent.

From the termination of the flue to the filters of the hood venting system, a minimum clearance of 18" (457mm) must be maintained.

Information on the construction and installation of ventilating hoods may be obtained from the standard for "Vapor Removal from Cooking Equipment," NFPA No. 96 (latest edition), available from the National Fire Protection Association, Batterymarch Park, Quincy, MA 02269.

OPERATION

WARNING: THE OVEN AND ITS PARTS ARE HOT. BE VERY CAREFUL WHEN OPERATING OR CLEANING THE OVEN.

CONTROLS — MODELS SG4D AND SG6D (Fig. 4)

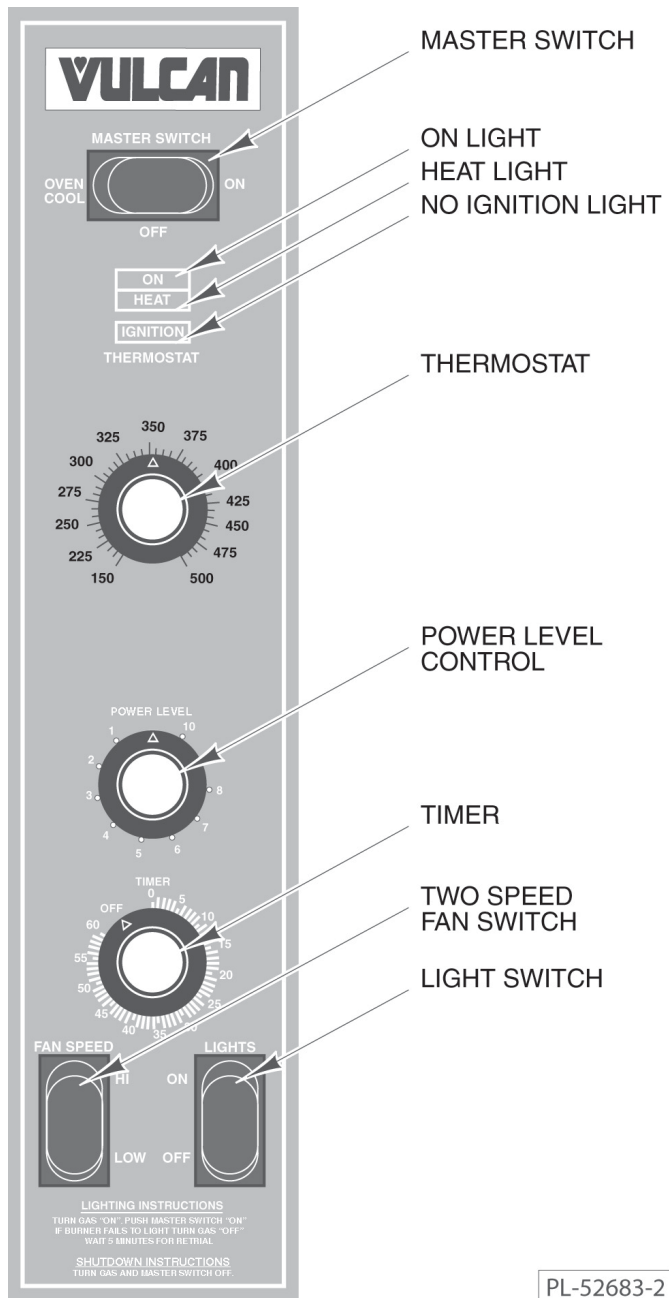


Fig. 4

- Master Switch** — ON — turns oven control circuits on.
OFF — turns oven control circuits off.
OVEN COOL — allows the fan motor to run with the doors ajar to speed oven cooling.
- On Light (Amber)** — Lit when Master Switch is positioned at ON.
- Heat Light (White)** — Comes on and goes off when the burner cycles on and off.
- No Ignition Light (Red)** — Comes on if burner fails to ignite. When lighting the oven, the No Ignition Light flashes.
- Thermostat** — Controls oven temperature during cooking operation.
- Power Level Control** — A potentiometer which permits variation of the heat input between 22% and 100% of full input.

Dial Setting	Percent of Full Input
10	100%
9	77%
8	73%
7	68%
6	60%
5	53%
4	45%
3	37%
2	28%
1	22%

- One-Hour Timer** — Use to set cooking cycle time. Alarm sounds continuously when elapsed time counts down to 0; oven does not turn off. Turn timer to OFF position to stop alarm. When oven is not in use, keep timer at OFF position.
- Two-Speed Fan Switch** — Adjusts air velocity in the oven.
- Light Switch** — Turns lights in the oven on or off.

BEFORE FIRST USE

Before using the oven for the first time, it must be "burned in" to release any odors that might result from heating the new surfaces in the chamber.

1. Using a clean damp cloth, wipe the inside of the oven, including the racks.
2. Close the oven doors, push the Master Switch to ON, turn the Thermostat to 300°F (149°C), and allow the oven to cycle for 6 to 8 hours before pushing the Master Switch OFF.

LIGHTING THE SG4D AND SG6D OVENS

1. Turn the main gas supply ON.
2. Turn the gas control valve (located behind the small door on the lower front panel) ON.
3. Push the Master Switch to ON and turn Thermostat to its maximum setting. Both the ON and HEAT lights should come on. If HEAT light is not on, make sure the oven door(s) are closed.
4. If the oven fails to light, the red No Ignition light will be lit and remain on. Push Master Switch to OFF. Turn gas off.
5. Wait 5 minutes before repeating Steps 1 through 4.

If the oven does not light after three trials, turn off the main gas valve and call a qualified servicer.

USING THE SG4D AND SG6D OVENS

Preheating

1. Select the proper rack arrangement for the product to be cooked. (See RACK ARRANGEMENTS in this manual.)
2. Make sure the doors are closed.
3. Push Master Switch to ON. The amber ON light will come on, indicating that power to the oven is on.
4. Set the Power Level Control to 10.
5. Set the two-speed Fan Switch to the desired setting.
6. Set Thermostat as desired. The Heat light will come on and remain on until the oven reaches set temperature (approximately 10 to 15 minutes for settings from 300°F (149°C) to 400°F (204°C). Refer to COOKING GUIDELINES in this manual for suggested temperatures and times for various products.
7. Prepare product and place in suitable pans. When the white Heat light goes off, the oven has reached the desired preheat temperature.

Cooking

1. Open doors and load the product into the oven. Place pans in the center of the racks. Close doors.
2. Set power level to desired baking setting.
3. Set the Timer. After the preset time lapses, turn timer to OFF position to stop alarm.
4. When product is done, open doors and carefully remove cooked product from the oven. Wipe up any spills.

End of Day

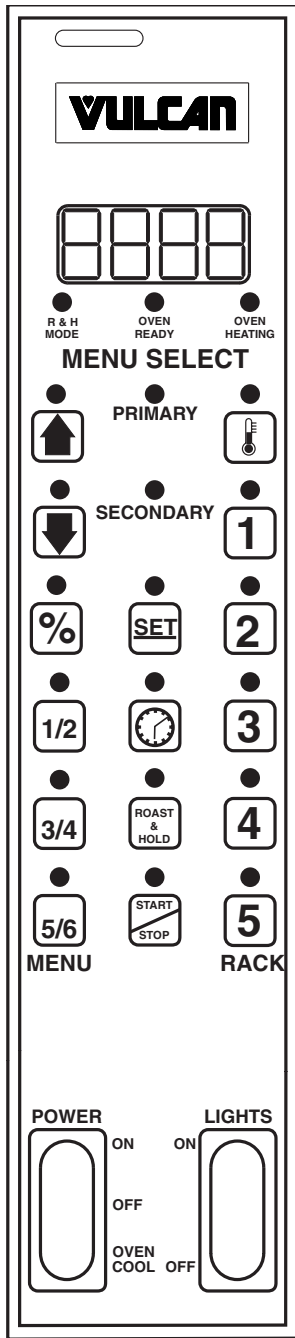
1. Push Master Switch to OVEN COOL. Leave door ajar while the fan is on to cool the oven.
2. When oven has cooled sufficiently, push Master Switch to OFF.
3. Turn gas valve (located behind panel) OFF and clean oven.
4. Leave door open overnight or when oven is not in use for an extended period of time.

Extended Shutdown

Repeat Steps 1 through 3 above. Unplug oven and shut off manual gas valve.

Fig. 5

CONTROLS — Models SG4C and SG6C Built after October 1999



PL-53504



Always displays [HR:Min] when setting the Time.
Displays [HR:Min] if the countdown time is more than 1 Hour.
Displays [Min:Sec] if the countdown time is less than 1 Hour.
Displays Temperature in °F.



R & H
MODE

Indicates the oven is in the Roast and Hold Mode.



OVEN
READY

Indicates the oven is preheated and ready for cooking.



OVEN
HEATING

Indicates the oven is preheating.



PRIMARY

Primary indicates Menu Items 1, 3, or 5.



SECONDARY

Secondary indicates Menu Items 2, 4, or 6.



Up arrow increases; Down arrow decreases — a displayed Time or Temperature value if arrow keys are lit.



Adjusts the oven heating rate or Power Level from 20 to 100 %.



TEMPERATURE: Use with SET to set the oven Temperature.



SET: Use with Time or Temperature.



TIME: Use with SET to manually set the cooking Time.



Selects Roast and Hold mode; also selects Low Fan Speed.



Press once to start; press a second time to stop.



Select Menu Cook Times. Press once for Primary (1, 3, or 5).
Press a second time for Secondary (2, 4, or 6). See next page.



Rack Buttons select individual Menu / Rack # Cook Times — once programmed.

MANUALLY SETTING THE COOK TIME, TEMPERATURE, AND POWER LEVEL

To Set the Cook Time

- Press the SET button. Press the TIME button. *Tine* displays to indicate TIME.
- Use the Up and Down Arrow keys to increase or decrease the displayed Cook Time (HR:min).
- Press the SET button again to save the Time setting in the computer.

To Set the Temperature

- Press the SET button. Press the TEMPERATURE button; *StPt* displays to indicate Setpoint.
- Use the Up and Down Arrow keys to increase or decrease the displayed Temperature value.
- Press the SET button again to save the Temperature setpoint in the computer.

To Set the Power Level

- Press the SET button. Press the % button.
- Use the Up and Down Arrow keys to increase or decrease the displayed Power Level value.
- Press the SET button again to save the desired Power Level value in the computer.

To Start Cooking

- Press the START / STOP button.
- The manual Cook Time counts down to 00:00. Displays [HR:Min] above 1 hour; [min: sec] below.
- The buzzer will sound. To silence the buzzer, press the START / STOP button again.
- * *The control retains the manual settings for Cook Time, Temperature, and Power Level.*

TO PROGRAM MENU ITEM and RACK # Cook Times

Factory Preset and Programmable Cook Times are shown in the table, below:

MENU SELECTION	MENU ITEM	FACTORY PRESET MENU ITEM COOK TIME	PROGRAMMABLE VALUES					
			MENU ITEM COOK TIME	RACK 1 COOK TIME	RACK 2 COOK TIME	RACK 3 COOK TIME	RACK 4 COOK TIME	RACK 5 COOK TIME
1 / 2 Primary	1	10 min.						
1 / 2 Secondary	2	15 min.						
3 / 4 Primary	3	20 min.						
3 / 4 Secondary	4	25 min.						
5 / 6 Primary	5	30 min.						
5 / 6 Secondary	6	35 min.						

The Primary indicator light with Menu 1 / 2 selects Menu Item 1 (Factory Preset Cook Time = 10 minutes). The Secondary indicator light with Menu 1 / 2 selects Menu Item 2 (Factory Preset Cook Time = 15 minutes). Similarly, for Menu Buttons 3 / 4 or 5 / 6. Any Menu Item Cook Time can be changed using the procedure below. Rack # Cook Times may be programmed if desired but are not required.

To Change the Time Setting for any Menu Item (1 – 6)

- To enter program mode, press and hold the Up and Down arrow buttons until ProG displays.
- ❖ Select the Menu Item to be programmed (1 – 6). *Tine* displays to indicate TIME. Use the Up and Down arrow buttons to increase or decrease the Menu Item's COOK TIME. Repeat this step for any other Menu Items.
- Press the START / STOP button; LOC displays. Press the START / STOP button a second time to save the Menu Item(s)' COOK TIME(s).
- Press the START / STOP button once to begin cooking (with the Menu Item's Cook Time). To exit, press the START / STOP button a second time.

To Program Individual Rack # Cook Times for a Menu Item

- To enter program mode, press and hold the Up and Down arrow buttons until ProG displays.
- Select the Menu Item to be programmed (1 – 6); *Tine* displays to indicate TIME.
- ❖ Then select the Rack # (1 – 5). [*t 1*] indicates Rack #1; [*t 2*] indicates Rack #2; ... [*t 5*] indicates Rack #5. Use the Up and Down arrows to increase or decrease the COOK TIME for any Rack #.
- Press the START / STOP button; LOC displays. Press the START / STOP button a second time to save the Menu / Rack #'s COOK TIME(s).
- To exit program mode, press START / STOP twice.

Always Set the Temperature Before Setting the Time

- Press the SET button. Press the TEMPERATURE button; *StPt* displays. Use the Up and Down Arrow keys to increase or decrease the Temperature. To save, press the SET button again.

At startup, the display will initially show a *GROWING BAR*. When the oven temperature reaches the Set Point, the set temperature displays. The READY light is lit, the HEAT light goes out, and the oven is ready for you to select the Cook Time, Menu Item Cook Time, or Menu / Rack # Cook Time.

Starting a Timed Cycle On All Racks

- Open the door, *door* will display.
- Place the desired product on any of the five racks.
- Close the door. The display should return to the set temperature or the *GROWING BAR*.
- Press the Menu Key once for Primary or twice for Secondary to select a Menu Item Cook Time.
- Press the START / STOP button *.
- The timer will count down the time remaining for the Menu Item Cook Time.
- When the time has counted down to 00:00, the buzzer will sound and all Rack Buttons will flash.
- To silence the buzzer, press the START / STOP button.

* *Pressing the START / STOP button after making a menu selection will time all racks for the selected menu time.*

Starting a Timed Cycle Using Programmed Individual Menu / Rack # Cook Time(s)

- After the set Temperature is reached, open the door; *door* displays. Place product(s) in oven.
- Close the door. The display returns to the set Temperature or the *GROWING BAR*.
- Select the Menu Item (once for Primary or twice for Secondary) and the Rack # to select the Menu / Rack # Cook Time. If using simultaneous cook times, select the other Menu / Rack #'s.
- The timer selects the Rack # with the shortest Cook Time and counts down to 00:00.
- The buzzer sounds and the Rack # flashes. To silence the buzzer, press the flashing Rack #.
- Open the door; *door* displays; remove the finished product; close the door.
- The next shortest Cook Time displays, its Rack # flashes and the time counts down to 00:00.
- The buzzer sounds. Press the flashing Rack #. Open the door, *door* displays. Remove the product, close the door. Repeat from ♣ until all Rack #'s are done.

To Display the Actual Oven Temperature

- Press and hold the Temperature button for 3 seconds to display Actual Oven Temp until released.

To End a Cooking Cycle

At the end of a cooking cycle, the alarm will sound. To silence the alarm and end a Menu Item cooking cycle, press START / STOP. To silence the alarm and end a Rack # cooking cycle, press the Rack #.

To cancel a cooking cycle which might have been started in error, press and hold the Rack button to be terminated and press START / STOP at the same time.

Door and Timing

Opening the door while loading additional product will interrupt all timing functions until the door is closed and the timer resumes. For example, if a product time had diminished to 1 minute and the door was opened for 30 seconds and then closed, the timer would still show 1 minute.

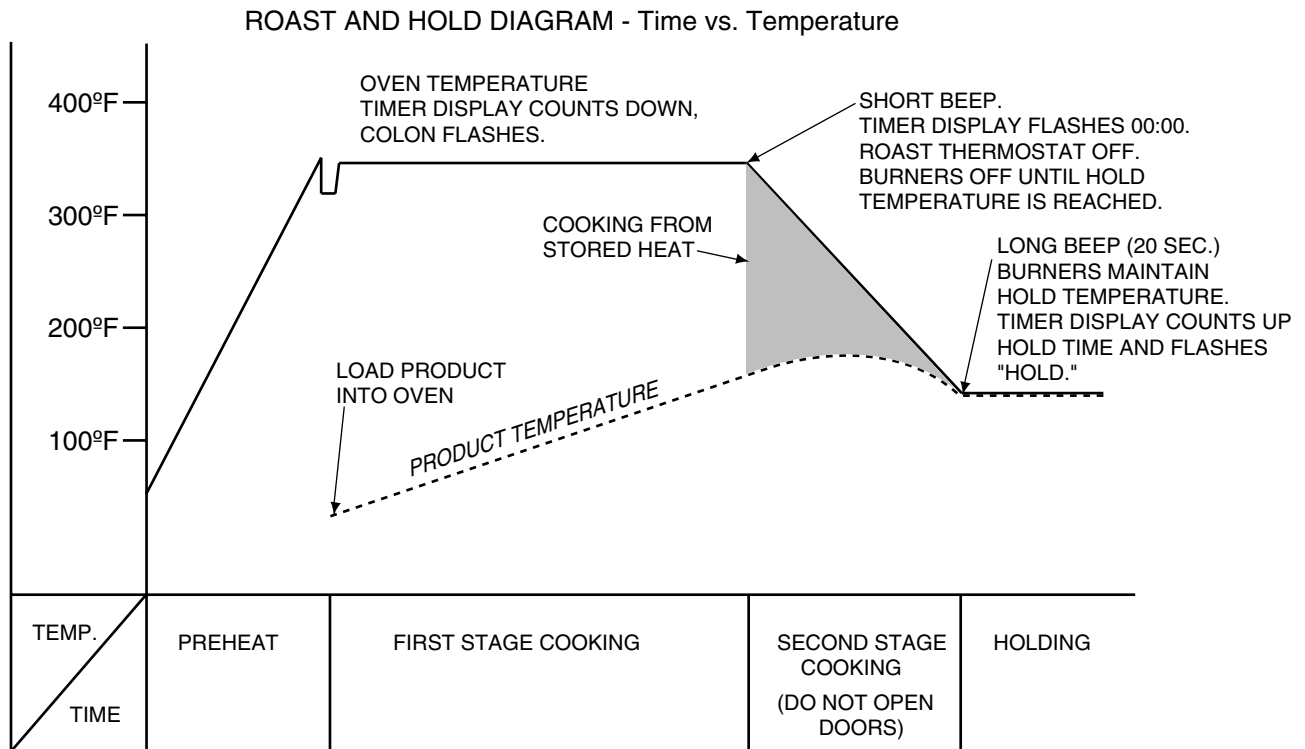
SETTING THE OVEN FOR ROAST & HOLD

- Press the Roast & Hold button to select Roast & Hold.
- Set the first stage Temperature and the Cook Time as described in: MANUALLY SETTING THE TEMPERATURE AND COOK TIME. Press START / STOP to begin cooking.
- * *The HOLD Temperature is preset by the computer control at 150°F (66°C).*
- * *The LOW FAN SPEED is present during Roast & Hold. Use R&H to select LOW FAN SPEED.*

ROAST AND HOLD OPERATION

Roast and Hold cooks the product in two stages. During First Stage Cooking, the oven temperature is regulated by the Roast thermostat for the amount of time set on the Timer. After the lapsed time counts down to 00:00, Second Stage Cooking begins. During Second Stage Cooking, the burners are off as the temperature in the oven declines to the Hold Temperature. The doors should remain closed during Second Stage Cooking.

When the Hold Temperature is reached, cooking is done. The Time Display counts up the Hold time and flashes "Hold." Temperature in the oven will be maintained at the Hold temperature until the oven is turned off.



PL-51607

RACK ARRANGEMENTS

CAPACITY—All models are supplied with five racks and have a maximum operating capacity of six racks per oven. The eleven-position rack supports provide for maximum flexibility and proper rack spacing.

The following arrangements are recommended. The position numbers are in numerical sequence starting at the bottom (Fig. 6).

Arrangement #1

Five racks in Positions #2, #4, #6, #8, and #10 for oven broiling, cookies or reconstitution of frozen lunches at maximum capacity. Also recommended position for general baking in sheet pans with products not over 2½" (64 mm) high.

Arrangement #2

Four racks in Positions #1, #4, #7, and #10 for general baking in sheet pans, muffin pans, pie or cake tins, and pudding pans 3½" (89 mm) high with products not over 4" (102 mm) high. Can also be used for casseroles or meat dishes in #200 series food service pans 12" x 20" x 2½" (305 x 508 x 64 mm).

Arrangement #3

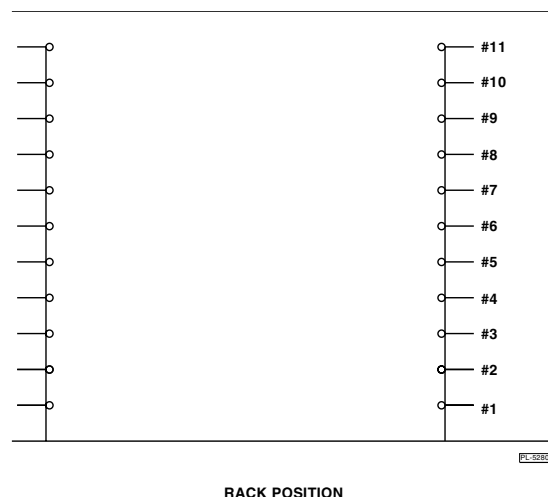
Three racks in Positions #1, #5, and #9 for baking breads or cakes in loaf or tube pans and high meringue pies. Can also be used for casseroles, meat dishes or roasting in pans up to 5½" (140 mm) deep with products up to 6" (152 mm) high.

Arrangement #4

Two racks in Positions #1 and #6 for roasting turkeys and other roasts up to 7" (178 mm) high.

With the rack in Position #1, there is limited space for a water pan (see cooking chart in this manual).

When mixed loads or partial loading is regular practice, some users have developed other rack arrangements to suit their particular needs.



RACK POSITION

Fig. 6

CONSERVING ENERGY

- Turn off unused equipment.
- Adjust menu patterns and cooking/baking schedules for optimum equipment use.
- Reduce thermostat settings in slack periods since gas equipment heats up and recovers quickly.
- Preheat only to required cooking temperature for specific food — not higher.
- Do not open the oven door unless absolutely necessary.
- Keep area around the oven door clean and free of food particles.
- Any obstruction that prevents the door from closing completely will adversely affect oven efficiency.

COOKING GUIDELINES

Recommended temperatures, times, number of racks, and power level control settings are intended as a guide only. Adjustments must be made to compensate for variations in recipes, ingredients, preparation, and personal preference in product appearance.

The oven does not require special recipes. Excellent results can be obtained from any good commercial recipe with reduced cooking times.

RECOMMENDED TEMPERATURES, TIMES, AND POWER LEVEL SETTINGS FOR ROASTING

Meat roasting is most satisfactory at temperatures of 225°F to 325°F (107°C to 162°C) for beef, lamb, poultry, and ham; 325°F (162°C) for fresh pork as recommended by USDA and American Meat Institute.

A pan, approximately 12" x 20" x 1" (305 x 508 x 25 mm), full of water may be placed in the oven bottom. This water supplies humidity to reduce shrinkage. Water should be added if necessary during roasting.

Roasting pans should be no deeper than necessary to hold drippings, usually 2" to 2½" (51 to 64 mm).

Cooking time and shrinkage may vary with roasting temperature, cut, grade of meat, and degree of doneness. Smaller cuts will generally show greater time savings than larger cuts at a given temperature.

To determine appropriate cooking time, use a reliable meat thermometer and refer to your state, city or local jurisdiction code requirements on internal cooking temperatures for meat products.

ROASTING TEMPERATURE CHART

PRODUCT	TEMP		POWER LEVEL SETTINGS	
	°F	°C	SG4/6D	SG4/6C
Standing Rib Roast — Oven Ready	250	121	10	100%
Rolled Rib Roasts — 20 to 22 lb. (9.1 to 10 kg)	275	135	10	100%
Veal Roast — 15 lb. (6.8 kg)	300	148	10	100%
Turkeys — 15 to 20 lb. (6.8 to 9.1 kg)	300	148	10	100%
Meat Loaf — 8 to 10 lb. (3.6 to 4.5 kg)	350	176	10	100%

RECOMMENDED TEMPERATURES, TIMES, AND POWER LEVEL SETTINGS FOR BAKING

PRODUCT	TEMP.		TIME IN MINUTES	NO. OF RACKS	POWER LEVEL SETTINGS	
	°F	°C			SG4/6D	SG4/6C
Cakes						
Sheet Cakes 18x26x1" (457x660x25 mm) Pan						
Scaled 4½ to 6 lb. (2.0-2.7 kg) per pan	325-360	162-182	20 to 23	5	7 to 4	68 to 45%
Scaled 6 to 7½ lb. (2.7-3.4 kg) per pan	335-350	168-177	22 to 25	4	6 to 4	60 to 45%
Sheet Cakes 18x26x2" (457x660x51 mm) Pan	300-325	149-162	25 to 35	4	6 to 4	60 to 45%
Equals (2) 12x18x2" (305x457x51 mm) pans						
Scaled 10 to 12 lb. (4.5-5.4 kg) per 18x26x2" (457x660x51 mm) pan, or 5 to 6 lb. (2.3-2.7 kg) per 12x18x2" (305x457x51 mm) pan	300-325	149-162	25 to 35	3	6 to 4	60 to 45%
Angel or Sponge Cakes						
Sheet Pans 18x26x1" (457x660x25 mm)						
Scaled 5 to 6 lb. (2.3-2.7 kg) per pan	300-325	149-162	15 to 20	4	3	37%
Loaf or Tube Pans	315-340	157-171	20 to 30	3-4	4 to 1	45 to 22%
Cupcakes	350-400	177-204	6 to 12	4	6 to 4	60 to 45%
Frozen Fruit Pies	350-375	177-190	30 to 45	4	6 to 4	60 to 45%
				3	4	45%
Pumpkin or Custard Pies	300-350	149-177	30 to 45	4	6 to 4	60 to 45%
				3	4 to 3	45 to 37%
Cobblers						
12x18x2" (305x457x51 mm) or	350-400	177-204	30 to 45	4	6	60%
12x20x2½" (305x508x64 mm) Pans				3	4	45%
Meringue Pies	350-425	177-218	6 to 10	4	6 to 4	60 to 45%
				3	6 to 4	60 to 45%
				2	6 to 4	60 to 45%
Fruit Turnovers						
18x26x1" (457x660x25 mm) Pans	350-375	177-190	15 to 25	5	6 to 4	60 to 45%
				4	6 to 4	60 to 45%
				3	4 to 3	45 to 37%
NOTE: Pies and cobblers; fruit, custard, and pumpkin pies in pie pans should be placed on 18x26x1" (457x660x25 mm) pans for baking.						
Cookies						
Rolled or Pressed	350-400	177-204	6 to 12	5	6 to 3	60 to 37%
				4	4 to 3	45 to 37%
				3	3	37%
Drop	350-400	177-204	6 to 15	5	6 to 4	60 to 45%
				4	4 to 3	45 to 37%
				3	3	37%
Brownies						
	350	177	12 to 20	5	6 to 4	60 to 45%
				4	4 to 3	45 to 37%

**RECOMMENDED TEMPERATURES, TIMES, AND POWER LEVEL SETTINGS FOR BAKING,
Cont'd.**

PRODUCT	TEMP.		TIME IN MINUTES	NO. OF RACKS	POWER LEVEL SETTINGS		
	°F	°C			SG4/6D	SG4/6C	
Yeast Breads NOTE: Yeast breads should be fully proofed for best results.							
Rolls — 1 oz. (28 g)	350-400	177-204	5 to 10	4	6 to 4	60 to 45%	
					3	4	45%
1 1/2 to 2 1/2 oz. (45-71 g)	350-400	177-204	8 to 15	4	6 to 4	60 to 45%	
				3	4 to 3	45 to 37%	
Loaf Bread — 1 lb. (0.45 kg)	325-375	162-190	20 to 40	3(30)Pans	4	45%	
				2(20)Pans	3	37%	
Sweet Rolls & Danish Pastry	325-375	162-190	5 to 15	4	6 to 4	60 to 45%	
				3	4 to 3	45 to 37%	
Biscuits — Rolled 1/2" (13 mm) Thick	350-400	177-204	5 to 15	4	6 to 4	60 to 45%	
				3	4 to 3	45 to 37%	
Muffins	325-375	162-190	6 to 18	4	4	45%	
				3	4 to 3	45 to 37%	
Corn Bread	335-400	168-204	10 to 20	4	6 to 4	60 to 45%	
							18x26x1" (457x660x25 mm) Pan, 5-7 lb. (2.3-3.2 kg) per pan
							18x26x2" (457x660x51 mm) Pan, 8-20 lb. (3.6-9 kg) per pan
Corn Muffins	335-385	168-196	10 to 20	4	6 to 4	60 to 45%	
				3	4 to 3	45 to 37%	

REHEATING PREPARED FOODS

Frozen French Fries	400-450	204-232	6 to 8	4	8 to 6	73 to 60%
				2 to 3	7 to 4	68 to 45%
Frozen TV Dinners	350-400	177-204	10 to 12	4 to 5	10 to 6	100 to 60%
				2 to 3	7 to 4	68 to 45%
Frozen Entrees — 3/4" to 1" (19 to 25 mm) Thick	300-350	149-177	10 to 20	2 to 5	10 to 6	100 to 60%
Frozen Meals — 8 oz. (227 g) Foil Pkg.	350-400	177-204	20 to 30	2 to 5	10	100%

OVEN BROILING OR FRYING

PRODUCT	TEMP.		TIME IN MINUTES	NO. OF RACKS	POWER LEVEL SETTINGS	
	°F	°C			SG4/6D	SG4/6C
Fish Sticks & Portions						
Frozen Breaded — 1 oz. (28 g)	350-400	177-204	6 to 10	4	8 to 6	73 to 60%
2 1/2 to 3 oz. (71-85 g)	350-375	177-190	8 to 15	2 to 3 4 2 to 3	7 to 4 7 to 6 6 to 4	68 to 45% 68 to 60% 60 to 45%
Chicken Pieces						
Broiled or Oven Fried						
2 to 2 1/2 lb. (0.91-1.13 kg) bird	375-425	190-218	8 to 15	4 to 5 2 to 3	8 to 6 7 to 4	73 to 60% 68 to 45%
2 1/2 to 3 lb. (1.13-1.36 kg) bird	350-400	177-204	15 to 25	4 2 to 3	7 to 6 6 to 4	68 to 60% 60 to 45%
Lobsters — 1 to 1 1/2 (0.45-0.68 kg) lb.	400-450	204-232	8 to 14	2 to 4	10 to 6	100 to 60%
Lobster Tails — Frozen						
1/2 to 3/4 lb. (0.23-0.34 kg)	350-400	177-204	10 to 15	2 to 4	8 to 6	73 to 60%
Hamburger Patties						
8 per lb. (0.45 kg), Med. to Well Done	400-450	204-232	5 to 6	4 to 6 2 to 3	8 to 7 7 to 6	73 to 68% 68 to 60%
6 per lb. (0.45 kg)	400-450	204-232	7 to 10	4 to 6 2 to 3	10 to 8 8 to 7	100 to 73% 73 to 68%
4 per lb. (0.45 kg)	375-450	190-232	8 to 12	4 to 6 2 to 3	10 8 to 7	100% 73 to 68%

CASSEROLES

Food Service Pans						
2" to 3" (51-76 mm) deep	325-375	162-190	15 to 25			
3" to 4" (76-102 mm) deep	325-375	162-190	20 to 35	2 to 4	7 to 4	68 to 45%
Ramekins or Foil Pans	350-400	177-204	5 to 6	4 to 5	10 to 7	100 to 68%
Up to 1 1/2" (38 mm) deep				2 to 4	7 to 6	68 to 60%
Frozen			10 to 15			

MISCELLANEOUS PRODUCTS

Baked Potatoes						
120 count per 50 lb. (23 kg)	400-450	204-232	20 to 25	2 to 5	8 to 6	73 to 60%
100 count per 50 lb. (23 kg)	400-450	204-232	25 to 40	2 to 5	7 to 6	68 to 60%
80 count per 50 lb. (23 kg)	400-425	204-218	30 to 45	2 to 5	7 to 4	68 to 45%
Pizzas — Frozen or With						
Prebaked Crust	425-475	218-246	5 to 10	4 2 to 3	8 to 6 6 to 4	73 to 60% 60 to 45%
"Grilled" Cheese Sandwiches	400-425	204-218	8 to 10	4 2 to 3	8 to 6 7 to 4	73 to 60% 68 to 45%

NOTES ON SPECIAL PROCEDURES FOR BAKING

Yeast Bread: Cooking starts immediately in the convection oven. Yeast breads do not usually rise as much in a convection oven as in a conventional oven. Therefore, it is usually necessary to allow fuller proof, 2¹/₂ to 3 times increase in volume for best results.

Pies: When baking pies in your convection oven, 3 or 4 pies should be put on an 18x26" (457 x 660 mm) sheet or bun pan. This procedure helps the bottom crust to bake, makes handling easier, and reduces the possibility of boilover spoiling the appearance of the pies on the lower racks.

HIGH LIMIT SWITCH

All ovens are equipped with a high limit switch which senses the temperature of the oven to prevent overheating. The high limit switch operates independently and will automatically shut the oven down should the primary control fail. If this situation occurs, **DO NOT** attempt to bypass the high limit. Shut the oven down and contact your local Vulcan authorized service agency.

CLEANING

WARNING: DISCONNECT THE ELECTRIC POWER TO THE MACHINE AND FOLLOW THE LOCKOUT/TAGOUT PROCEDURES.

Allow the oven to cool before cleaning.

Snorkel Tube

The Snorkel tube opening should never be blocked. If usage of aluminum foil is a common practice during the operation of this oven, be sure to periodically check the Snorkel tube for foil particles. The Snorkel tube should be kept clean at all times for proper operation of the oven. Clean this tube with standard oven cleaner at least once a week. Be sure to thoroughly clean all cleansing solution off the tube before using the oven again. It is also recommended that the oven be run at 400°F (204°C) for 20 minutes before using to burn off any cleaning solution that was not thoroughly rinsed from the tube.

Daily

Exterior stainless steel oven panels should be cleaned with a damp cloth. Stubborn soil may be removed with detergent. (DO NOT USE "DAWN".) Rinse thoroughly and wipe dry with a soft clean cloth.

Clean porcelain oven interior daily with soap or detergent and water. Rinse thoroughly and wipe dry with a soft clean cloth.

Nickel plated racks and rack supports may be removed for cleaning.

For burned-on foods and grease which resist simple soap and water cleaning, an abrasive cleanser (scouring powder) mixed into a paste may be used. Apply with stainless steel wool or sponge, always rubbing with the "grain." This treatment is equally effective for "heat tint" (slightly darkened areas caused by oxidation). Again, remember to rub in the direction of the polish lines. Rinse with clear water and dry with a soft cloth.

Do not use scouring powder on the glass window; it will scratch and fog the glass.

After processing some foods at low temperatures, odors may linger in the oven. These odors may be cleared by setting the thermostat at 500°F (260°C) and the power level control at 10 and allowing the oven to run unloaded for 30 to 45 minutes.

MAINTENANCE

WARNING: THE OVEN AND ITS PARTS ARE HOT. BE VERY CAREFUL WHEN OPERATING OR CLEANING THE OVEN.

WARNING: DISCONNECT THE ELECTRIC POWER TO THE MACHINE AND FOLLOW THE LOCKOUT/TAGOUT PROCEDURES.

LUBRICATION

The fan motor comes with sealed bearings and requires no lubrication.

VENT

Periodically check the flue, when the oven is cool, to be sure it is free of obstructions.

REPLACING LAMPS

- Allow oven to cool.
- Remove all racks by pulling forward, lifting up and out.
- Unscrew glass dome from light body.
- Replace the bulb.
- Reassemble glass dome and racks.

SERVICE AND PARTS INFORMATION

To obtain service and parts information concerning this model, contact the Vulcan-Hart Service Agency in your area (refer to our website, www.vulcanhart.com for a complete listing of Authorized Service and Parts depots).

When calling for service, the following information must be available: model number, serial number, manufacture date (MD) and voltage.

TROUBLESHOOTING GUIDE

PROBLEM	CAUSE	CORRECTION
Uneven browning or overcooking at edges of pans.	<ol style="list-style-type: none"> 1. Power level control setting too high. 2. Too many racks used. 	<ol style="list-style-type: none"> 1. Reduce power level control setting (see Cooking Guidelines in this manual). 2. Reduce number of racks used.
Product pulling to edge of pan or spilling.	<ol style="list-style-type: none"> 1. Oven out of level. 2. Sheet pans warped. 	<ol style="list-style-type: none"> 1. Level oven, on the racks, from side to side and front to back. The rack should check dead level side to side and from level to 1/8" (3 mm) low at the front from front to back. 2. Keep pans used for baking batter separate from general purpose pans. If any pan shows a tendency to warp, remove it from the baking group.
Product overbrowning before done or shrinking and overbrowning at edges.	Power level control setting too high.	Reduce power level control setting (see Cooking Guidelines in this manual).
Excessive shrinkage.	<ol style="list-style-type: none"> 1. Failure to maintain water in oven. 2. Roasting temperature too high. 	<ol style="list-style-type: none"> 1. Place pan of water (approx. 12"x20"x1" (305x508x25 mm) in bottom of oven. 2. Reduce temperature.
No Ignition Light remains lit for more than 20 seconds after 3 trials (Models SG4D and SG6D), (Models SG4C and SG6C).		<ol style="list-style-type: none"> 1. Turn oven off for 5 minutes before attempting to relight. 2. Check gas supply valves to be sure they are open. 3. Check electrical power source and connections.

DÉPANNAGE

PROBLÈME	CAUSE	CORRECTIF
<p>Brûlage inégal ou cuisson excessive au bord des plaques.</p>	<p>1. Réglage du commutateur de puissance trop élevé.</p> <p>2. Trop grand nombre de grilles.</p>	<p>1. Réduire le réglage du commutateur de puissance (se reporter au GUIDE DE CUISSON).</p> <p>2. Réduire le nombre de grilles.</p>
<p>Aliments d'un côté de la plaque ou qui renversent.</p>	<p>1. Four dénivélé.</p> <p>2. Tôles gauches.</p>	<p>1. Nivelier le four latéralement et d'avant vers l'arrière en déposant un niveau sur les grilles. Celles-ci doivent être parfaitement droites d'une côté à l'autre et 3 mm (1/8 po) plus basses à l'avant qu'à l'arrière.</p> <p>2. Séparer les plaques à pâtisseries des plaques tout usage. Si une plaque a tendance à gauchir, ne plus l'utiliser.</p>
<p>Brûlage excessif avant la fin de la cuisson ou brûlage excessif sur le bord.</p>	<p>Réglage du commutateur de puissance trop élevé.</p>	<p>Réduire le réglage du commutateur de puissance (se reporter au GUIDE DE CUISSON).</p>
<p>Fiétrissement excessif.</p>	<p>1. Manque d'eau dans le four.</p> <p>2. Température de rôtissage trop élevée.</p>	<p>1. Déposer un bac d'eau d'environ 305 x 508 x 25 mm (12 x 20 x 1 po) dans le fond du four.</p> <p>2. Réduire la température.</p>
<p>Le voyant DÉFAILLANCE ALLUMAGE demeure allumé pendant plus de 20 secondes après trois tentatives (modèles SG4D et SG6D), SG4C et SG6C.</p>		<p>1. Éteindre le four pendant 5 minutes avant de le rallumer.</p> <p>2. Vérifier que les robinets de gaz sont ouverts.</p> <p>3. Vérifier l'alimentation et les raccordements électriques.</p>

Des odeurs peuvent persister dans le four suite à la cuisson d'aliments à basse température. Pour les éliminer, régler le thermostat à 260 °C (500 °F) et le commutateur de puissance à 10, puis laisser fonctionner le four à vide de 30 à 45 minutes.

ENTRETIEN

AVERTISSEMENT : LE FOUR ET SE COMPOSANTS SONT CHAUDS. EXERCER UNE EXTRÊME PRUDENCE LORS DE SON UTILISATION OU ENTRETIEN.

AVERTISSEMENT : COUPER L'ALIMENTATION ÉLECTRIQUE DE L'APPAREIL ET SUIVRE LES PROCÉDURES DE VERROUILLAGE ET D'ÉTIQUETAGE.

LUBRIFICATION

Le moteur du ventilateur est pourvu de roulements scellés ne nécessitant aucune lubrification.

CONDUIT D'ÉVACUATION

Vérifier périodiquement le conduit d'évacuation lorsqu'il est froid pour s'assurer qu'il n'est pas obstrué.

REMPLACEMENT DES LAMPES

- Laisser le four refroidir.
- Enlever toutes les grilles en les tirant vers soi et en les soulevant.
- Dévisser le dôme de la lampe.
- Remplacer l'ampoule.
- Remettre le dôme et les grilles en place.

SERVICE DE L'ENTRETIEN ET PIÈCES DE RECHANGE

Pour tout entretien ou renseignement sur les pièces de ce modèle, communiquer avec le service de l'entretien Vulcan-Hart le plus près. (Pour une liste complète de nos succursales de service de l'entretien et de pièces autorisées, visiter notre site Web à l'adresse : www.vulcanhart.com).

Lors d'une demande de service, fournir les renseignements suivants : le numéro de modèle, le numéro de série, la date de fabrication et l'alimentation électrique.

MODES DE CUISSON SPÉCIAUX

Pain au levain : La cuisson commence immédiatement dans le four à air pulsé. Habituellement, le pain au levain ne lève pas autant dans un four à air pulsé que dans un four conventionnel. Il faut donc laisser la pâte atteindre 2 1/2 à 3 fois son volume pour de meilleurs résultats.

Tartes : Pour la cuisson de tartes dans un four à air pulsé, les mettre par groupe de trois ou quatre dans une tôle de 457 x 660 mm (18 x 26 po) ou dans un moule à brioches. Ainsi, les fonds de tarte cuisent mieux, les tartes sont plus faciles à manipuler, les risques de débordement sur les tartes de grilles inférieures s'en trouvent réduits et les produits conservent leur apparence savoureuse.

THERMOSTAT DE SÉCURITÉ

Tous les fours de la série SG sont pourvus d'un thermostat de sécurité qui contrôle la température du four pour empêcher qu'il surchauffe. Ce thermostat fonctionne de façon indépendante et interrompt automatiquement le fonctionnement du four en cas de détérioration du thermostat principal. Le cas échéant, NE PAS tenter d'y apporter quelque modification. Éteindre le four et communiquer avec le service de l'entretien Hobart le plus près.

NETTOYAGE

AVERTISSEMENT : COUPER L'ALIMENTATION ÉLECTRIQUE DE L'APPAREIL ET SUIVRE LES PROCÉDURES DE VERROUILLAGE ET D'ÉTIQUETAGE.

Laisser le four refroidir avant de le nettoyer.

Tube Snorkel

L'ouverture du tube Snorkel ne doit pas être obstruée. Si on utilise souvent du papier aluminium pour la cuisson, vérifier périodiquement qu'aucune particule d'aluminium ne se trouve dans le tube. Garder celui-ci propre en tout temps pour en assurer le bon fonctionnement. Au moins une fois par semaine, le nettoyer au récurrent à four standard. S'assurer qu'il ne reste aucun résidu de la solution de nettoyage dans le tube avant d'utiliser le four à nouveau. Aussi, il est recommandé de faire fonctionner le four à vide à 204 °C (400 °F) pendant 20 minutes avant de l'utiliser pour faire disparaître toute trace de nettoyage demeuré dans le tube.

Nettoyage quotidien

Nettoyer les panneaux extérieurs en acier inoxydable au moyen d'un chiffon humide. Employer un détergent pour enlever les tâches tenaces (NE PAS UTILISER LA MARQUE « DAWN »). Rincer à fond et essuyer au moyen d'un chiffon doux et propre.

Nettoyer les parois en porcelaine de l'enceinte de cuisson à l'eau chaude savonneuse. Rincer à fond et essuyer au moyen d'un chiffon propre et doux.

Les crémaillères et les grilles nickelées s'enlèvent aux fins de nettoyage.

Dans le cas de tâches rebelles de recuit ou de graisse qui résistent à l'eau et au savon, il peut s'avérer nécessaire d'utiliser une pâte de nettoyeur abrasif (poudre à récurrent). Appliquer cette pâte au moyen d'un tampon en acier inoxydable ou d'une éponge en prenant soin de toujours frotter dans le sens du « grain ». Ce traitement est tout aussi efficace pour les tâches de décoloration (zones légèrement noircies par l'oxygène). Toujours frotter dans le sens des lignes du revêtement. Rincer à l'eau claire et essuyer au moyen d'un chiffon doux.

Ne pas utiliser de poudre à récurrent sur le hublot de la porte de four, car elle risque d'érafler ou d'embuer la vitre.

					Pommes de terre au four - 120 par 23 kg (50 lb) - 100 par 23 kg (50 lb) - 80 par 23 kg (50 lb)
73 à 60 %	8 à 6	2 à 5	20 à 25	204 à 232 (400 à 450)	
68 à 60 %	7 à 6	2 à 5	25 à 40	204 à 232 (400 à 450)	
68 à 45 %	7 à 4	2 à 5	30 à 45	204 à 218 (400 à 425)	
73 à 60 %	8 à 6	4	5 à 10	218 à 246 (425 à 475)	Pizzas - surgelées ou pâte précuite
60 à 45 %	6 à 4	2 à 3	8 à 10	204 à 218 (400 à 425)	
73 à 60 %	8 à 6	4	8 à 10	204 à 218 (400 à 425)	Sandwichs au fromage fondant

ALIMENTS DIVERS

					Plats de service - 51 à 76 mm (2 à 3 po) de profondeur - 76 à 102 mm (3 à 4 po) de profondeur
68 à 45 %	7 à 4	2 à 4	15 à 25	163 à 191 (325 à 375)	
100 à 68 %	10 à 7	4 à 5	5 à 6	177 à 204 (350 à 400)	Ramequins ou plats en aluminium - Jusqu'à 38 mm (1 1/2 po) de profondeur
68 à 60 %	7 à 6	2 à 4	10 à 15		- Surgelés

CASSEROLES

RÉGLAGES D'INTENSITÉ	SG4/6D	SG4/6C	NOMBRE DE GRILLES	TEMPS DE CUISSON EN MINUTES	TEMPÉRATURE (°F) °C	PRODUIT
						- Surgelées panes de 28 g (1 oz) - 71 à 85 oz (2 1/2 à 3 oz)
73 à 60 %	8 à 6	2 à 3	4	6 à 10	177 à 204 (350 à 400)	
68 à 45 %	7 à 4	2 à 3	4	8 à 15	177 à 191 (350 à 375)	
68 à 60 %	7 à 6	2 à 3	4	15 à 25	191 à 218 (375 à 425)	Morceaux de poulet - cuits sur le gril ou au four - 0,91 à 1,13 kg (2 à 2 1/2 lb) - 1,13 à 1,36 kg (2 1/2 à 3 lb)
73 à 60 %	8 à 6	2 à 4	8 à 14	8 à 15	191 à 218 (375 à 425)	
100 à 60 %	10 à 6	2 à 4	8 à 14	15 à 25	177 à 204 (350 à 400)	
73 à 60 %	8 à 6	2 à 4	10 à 15	8 à 12	204 à 232 (400 à 450)	Homards (0,45 à 0,68 kg [1 à 1 1/2 lb]) 204 à 232 (400 à 450)
73 à 68 %	8 à 7	4 à 6	5 à 6	10 à 15	177 à 204 (350 à 400)	Queues de homard (surgelées, 0,23 à 0,34 kg [1/2 à 3/4 lb]) 177 à 204 (350 à 400)
68 à 60 %	7 à 6	2 à 3	5 à 6	7 à 10	204 à 232 (400 à 450)	Fricadelles de boeuf - 8 par 0,45 kg (1 lb), à point à bien cuit - 6 par 0,45 kg (1 lb) - 4 par 0,45 kg (1 lb)
73 à 68 %	8 à 7	4 à 6	5 à 6	7 à 10	204 à 232 (400 à 450)	
100 à 73 %	10 à 8	4 à 6	7 à 10	8 à 12	191 à 232 (375 à 450)	
73 à 68 %	8 à 7	4 à 6	8 à 12	8 à 12	191 à 232 (375 à 450)	
100 %	10	4 à 6	8 à 12	8 à 12	191 à 232 (375 à 450)	
73 à 68 %	8 à 7	2 à 3	8 à 12	8 à 12	191 à 232 (375 à 450)	

FRITURE ET GRILLAGE AU FOUR

TEMPÉRATURES, TEMPS DE CUISSON ET INTENSITÉS RECOMMANDÉS POUR LES PÂTISSERIES (suite)

PRODUIT	TEMPÉRATURE (°C)	TEMPS DE CUISSON EN MINUTES	NOMBRE DE GRILLES	SG4/6D	SG4/6C	Pains au levain (Bien fermenter la pâte pour de meilleurs résultats)	
						RÉGLAGES D'INTENSITÉ	
Petits pains - 28 g (1 oz)	177 à 204 (350 à 400)	5 à 10	4	6 à 4	4	60 à 45 %	
45 à 71 g (1 1/2 à 2 1/2 oz)	177 à 204 (350 à 400)	8 à 15	4	6 à 4	4 à 3	60 à 45 %	
Miches de pain - 0,45 kg (1 lb)	163 à 191 (325 à 375)	20 à 40	3 moules (30) 2 moules (20)	4 3	4 3	45 % 37 %	
Brioche et pâtisseries danoises	163 à 191 (325 à 375)	5 à 15	4	6 à 4	4 à 3	60 à 45 %	
Biscuits - roulés de 13 mm (1/2 po) d'épaisseur	177 à 204 (350 à 400)	5 à 15	4	6 à 4	4 à 3	60 à 45 %	
Muffins	163 à 191 (325 à 375)	6 à 18	4	4	4	45 %	
Pain de maïs Moule de 2,2 à 3,2 kg (5 à 7 lb) et 457 x 660 x 25 mm (18 x 26 x 1 po)	168 à 204 (335 à 400)	10 à 20	4	6 à 4	6 à 4	60 à 45 %	
Moule de 3,6 à 9,1 kg (8 à 20 lb) et 457 x 660 x 51 mm (18 x 26 x 2 po)	168 à 204 (335 à 400)	15 à 25	4	6 à 4	6 à 4	60 à 45 %	
Muffins à la farine de maïs	168 à 196 (335 à 385)	10 à 20	4	6 à 4	4 à 3	60 à 45 %	45 à 37 %

RÉCHAUFFAGE DE PLATS CUISINÉS

Frites surgelées	204 à 232 (400 à 450)	6 à 8	4	8 à 6	7 à 4	73 à 60 %
Repas rapides surgelés « TV Dinners »	177 à 204 (350 à 400)	10 à 12	4 à 5	10 à 6	7 à 4	100 à 60 %
Entrées surgelées (19 à 25 mm [3/4 à 1 po] d'épaisseur)	149 à 177 (300 à 350)	10 à 20	2 à 5	10 à 6	7 à 4	68 à 45 %
Repas surgelés (227 g [8 oz] enveloppés dans l'aluminium)	177 à 204 (350 à 400)	20 à 30	2 à 5	10	10	100 %

**TEMPÉRATURES, TEMPS DE CUISSON ET INTENSITÉS
RECOMMANDÉS POUR LES PÂTISSERIES**

RÉGLAGES D'INTENSITÉ	SG4/6D	SG4/6C	PRODUIT	TEMPÉRATURE (°F)	TEMPS DE CUISSON EN MINUTES	NOMBRE DE GRILLES	RECOMMANDÉS			
							TEMPÉRATURE (°C)	TEMPS DE CUISSON EN MINUTES		
			Gâteaux Plaque à gâteaux de 457 x 660 x 25 mm (18 x 26 x 1 po) - Poids : 2,0 à 2,7 kg (4 1/2 à 6 lb) par plaque - Poids : 2,7 à 3,4 kg (6 à 7 1/2 lb) par plaque Plaque à gâteaux de 457 x 660 x 51 mm (18 x 26 x 2 po) ou 2 plaques de 305 x 457 x 51 mm (12 x 18 x 2 po) - Poids : 4,5 à 5,4 kg (10 à 12 lb) par plaque de 457 x 660 x 51 mm (18 x 26 x 2 po) - Poids : 2,2 à 2,7 kg (5 à 6 lb) par plaque de 305 x 457 x 51 mm (12 x 18 x 2 po)	163 à 182 (325 à 360) 168 à 177 (335 à 350) 20 à 23 22 à 25	5 4 4 4	7 à 4 6 à 4 6 à 4 6 à 4	68 à 45 % 60 à 45 % 60 à 45 % 60 à 45 %			
			Gâteaux des anges ou de Savoie Plaques de 457 x 660 x 25 mm (18 x 26 x 1 po) - Poids : 2,2 à 2,7 kg (5 à 6 lb) par plaque de 305 x 457 x 51 mm (12 x 18 x 2 po)	149 à 163 (300 à 325)	15 à 20	4	3	37 %		
			Moules tubulaires ou à pain	157 à 171 (315 à 340)	20 à 30	3 à 4	4 à 1	45 à 22 %		
			Petits gâteaux	177 à 204 (350 à 400)	6 à 12	4	6 à 4	60 à 45 %		
			Tartes aux fruits congelés	177 à 191 (350 à 375)	30 à 45	4	6 à 4	60 à 45 %		
			Tartes à la crème ou à la citrouille	149 à 177 (300 à 350)	30 à 45	4	6 à 4	60 à 45 %		
			Tourtes aux fruits 305 x 457 x 51 mm (12 x 18 x 2 po) ou 305 x 508 x 64 mm (12 x 20 x 2 1/2 po)	177 à 204 (350 à 400)	30 à 45	4	6	60 %		
			Tartes meringuées	177 à 218 (350 à 425)	6 à 10	4	6 à 4	60 à 45 %		
			Chaussons aux fruits 457 x 660 x 25 mm (18 x 26 x 1 po)	177 à 191 (350 à 375)	15 à 25	5	6 à 4	60 à 45 %		
			Biscuits Roulés ou aplatis	177 à 204 (350 à 400)	6 à 12	5	6 à 3	60 à 37 %		
			À la cuillère	177 à 204 (350 à 400)	6 à 15	5	6 à 4	60 à 45 %		
			Carres au chocolat	177 (350)	12 à 20	5	6 à 4	60 à 45 %		

NOTA : Tartes et tourtes aux fruits : cuire les garnitures en conserve ou pour tartes à la crème et à la citrouille dans des plaques de 457 x 660 x 25 mm (18 x 26 x 1 po).

REGLAGES D'INTENSITE		TEMPERATURE °C (°F)		PRODUIT
SG4/6C	SG4/6D			
100 %	10	121 (250)	10	Côtes de boeuf - prêtes à aller au four
100 %	10	135 (275)	10	10 kg (22 à 22 lb)
100 %	10	149 (300)	10	Rôti de veau - 6,8 kg (15 lb)
100 %	10	149 (300)	10	Dindes - 6,8 à 9,1 kg (15 à 20 lb)
100 %	10	177 (350)	10	Pain de viande - 3,6 à 4,5 kg (8 à 10 lb)

TEMPERATURES DE RÔTISSAGE

Pour déterminer le temps de cuisson approprié, utiliser un thermomètre à viande fiable et se référer aux exigences des codes de votre état, ville ou juridiction locale sur les températures de cuisson des viandes.

Le temps de cuisson et le flétrissement varient selon la température de rôtissage, la coupe et la catégorie de viande ainsi que le degré de cuisson. À une même température, les petits morceaux de viande cuisent en général plus rapidement que les gros morceaux.

Les plats à rôtir ne doivent pas excéder la profondeur requise pour contenir la graisse, soit de 51 à 64 mm (2 à 2 1/2 po) en général.

Placer un plat rempli d'eau d'environ 305 x 508 x 25 mm (12 x 20 x 1 po) dans le four. L'eau dégage de l'humidité et réduit le flétrissement. En ajouter pendant le rôtissage, au besoin.

Selon le ministère de l'Agriculture des États-Unis et l'American Meat Institute, les températures de rôtissage doivent varier idéalement entre 107 et 163 °C (225 et 325 °F) pour le boeuf, l'agneau, la volaille et le jambon et entre 163 et 177 °C (325 et 350 °F) pour le porc.

TEMPERATURES, TEMPS DE CUISSON ET INTENSITÉS RECOMMANDÉES POUR LE RÔTISSAGE

Les fours de la série SG ne requièrent aucune recette spéciale. Utiliser n'importe quelle recette commerciale en prenant soin cependant de réduire la température de cuisson.

Les températures, le temps de cuisson, le nombre de grilles et le réglage de l'intensité sont suggérés à titre d'exemples seulement. Les adapter aux recettes, aux ingrédients, à l'installation et aux goûts personnels.

CONSEILS D'UTILISATION

- Éteindre le four lorsqu'il se sert pas.
- Modifier les menus et horaires de cuisson pour l'utilisation optimale de l'appareil.
- Réduire le réglage du thermostat pendant les périodes tranquilles puisque les appareils au gaz chauffent rapidement.
- Préchauffer l'appareil à la température de cuisson requise seulement et non à une température supérieure.
- Ne pas ouvrir la porte du four sauf si cela s'avère absolument nécessaire. Observer la cuisson par le hublot.
- Garder la porte et les surfaces environnantes propres et exemptes de toute particule de nourriture.
- Tout corps qui empêche la porte de fermer complètement entravera inévitablement l'efficacité du four.

CONSERVATION DE L'ÉNERGIE

ARRANGEMENT DES GRILLES

CAPACITÉ - Tous les modèles sont pourvus de cinq grilles, mais peuvent cuire un maximum de six grilles d'aliments par four. La crémalière à onze positions permet une plus grande variété d'utilisations du four.

On recommande les arrangements de grilles énumérés ci-dessous. Les positions des grilles dans le four sont numérotées en ordre, à partir du bas (Fig. 6).

Arrangement n° 1

Un maximum de cinq grilles aux positions 2, 4, 6, 8 et 10 pour les grillades, la cuisson de biscuits ou la remise en température de repas surgelés. Cet arrangement est également recommandé pour la cuisson sur des tôles de produits ne dépassant pas 64 mm (2 1/2 po) de hauteur.

Arrangement n° 2

Quatre grilles aux positions 1, 4, 7 et 10 pour la cuisson en général de plaques à pâtisseries, moules à muffins, moules à tarte ou à gâteau et bols à pudding de 89 mm (3 1/2 po) de profondeur et dont la hauteur du produit ne dépasse pas 102 mm (4 po). Cet arrangement est également possible lors de l'utilisation de cocottes, de plats à rôtir ou de plats de services alimentaires de 305 x 508 x 64 mm (12 x 20 x 2 1/2 po) de la série 200.

Arrangement n° 3

Trois grilles aux positions 1, 5 et 9 pour la cuisson de pains, de gâteaux dans des moules à pain ou à cheminée et de tartes meringuées élevées. Cet arrangement est également possible pour l'utilisation de cocottes, de plats à rôtir et de casseroles jusqu'à 140 cm (5 1/2 po) de profondeur dont les produits ne dépassent pas 152 mm (6 po) de hauteur.

Arrangement n° 4

Deux grilles aux positions 1 et 6 pour le rôtissage de dindes ou de rôtis ne dépassant pas 178 mm (7 po) de hauteur.

Lorsqu'une grille se trouve à la position n° 1, il y a de la place pour un bac d'eau (se reporter au guide de cuisson plus loin).

Dans certaines cuisines où l'on procède régulièrement à la cuisson de différents produits en même temps, on a recours à divers arrangements de grilles choisis en fonction des besoins.

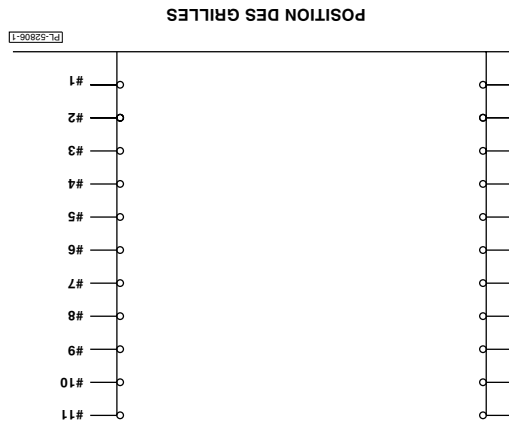


Fig. 6

PL-51607-1

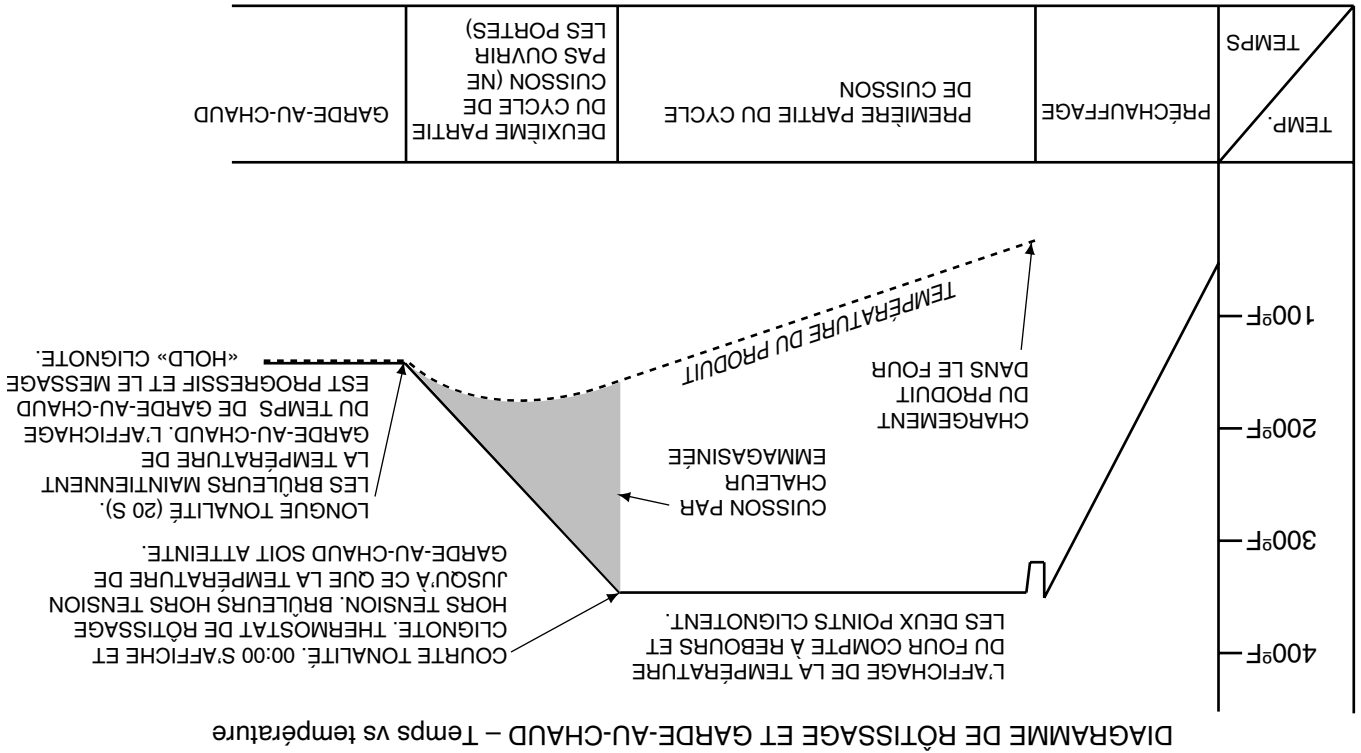


DIAGRAMME DE RÔTISSAGE ET GARDE-AU-CHAUD – Temps vs température

En mode RÔTISSAGE ET GARDE-AU-CHAUD, la cuisson s'effectue en deux parties. Au cours de la première, le thermostat de rôtissage régule la température du four le temps réglé au moyen de la minuterie. Lorsque ce temps est écoulé, c'est-à-dire que l'affichage indique 00:00, la deuxième partie du cycle de cuisson s'amorce. Au cours de cette portion, les brûleurs sont éteints et la température de l'enceinte diminue jusqu'à la température de garde-au-chaud. Laissez les portes fermées pendant cette deuxième partie du cycle.

Lorsque la température de garde-au-chaud est atteinte, la cuisson est terminée. L'affichage du temps de garde-au-chaud est progressif et le message « Hold » clignote. La température de garde-au-chaud est maintenue jusqu'à ce que ce que l'on éteigne le four.

MODE RÔTISSAGE ET GARDE-AU-CHAUD

- Appuyer sur la touche ROAST & HOLD pour sélectionner le mode RÔTISSAGE ET GARDE-AU-CHAUD.
- Régler la première étape de température et de temps de cuisson apparaissant sous le titre : RÉGLAGE MANUEL DE LA TEMPÉRATURE ET DU TEMPS DE CUISSON. Appuyer sur la touche START / STOP (marche-arrêt) pour commencer la cuisson.
- La température en mode GARDE-AU-CHAUD est pré-réglée par la commande de l'ordinateur à 66 °C (150 °F).
- La BASSE VITESSE DU VENTILATEUR est présente pendant le cycle RÔTISSAGE ET GARDE-AU-CHAUD.
- Utiliser la touche R & H (rôtissage et garde-au-chaud) pour sélectionner la BASSE VITESSE DU VENTILATEUR.

RÉGLAGE DU FOUR EN MODE RÔTISSAGE ET GARDE-AU-CHAUD

Ouvrir la porte pour ajouter un autre produit interrompt toutes les fonctions de minutage jusqu'à la fermeture de la porte et au redémarrage de la minuterie. Par exemple, si un temps de produit est réduit d'une minute et que la porte est ouverte pendant 30 secondes puis refermée, la minuterie indique encore 1 minute.

Porte et minuterie

Pour annuler un cycle de cuisson qui aurait démarré par erreur, appuyer et maintenir enfoncée la touche de grille à annuler, tout en appuyant en même temps sur la touche START / STOP (marche-arrêt).

À la fin d'un cycle de cuisson, l'avertisseur retentit. Pour l'éteindre et terminer un cycle de cuisson d'un article de menu, appuyer sur la touche START / STOP (marche-arrêt). Pour éteindre l'avertisseur et terminer un cycle de cuisson d'un numéro de grille, appuyer sur la touche de grille, appuyer sur la touche de numéro de grille.

Fin d'un cycle de cuisson

- Appuyer et maintenir enfoncée la touche de température pendant 3 secondes pour afficher la température réelle du four.

Affichage de la température réelle du four

- Pour entrer en mode programmation, appuyer et maintenir enfoncées les touches avec flèches jusqu'à ce que l'afficheur indique PROG.
- Sélectionner un article de menu à programmer (1 à 6); l'afficheur indique *Time* pour le TEMPS.
- ❖ Sélectionner ensuite le numéro de grille (1 à 5). [t 1] indique la grille #1; [t 2] la grille #2; t 5 la grille #5. Se servir des touches avec flèches pour augmenter ou diminuer le TEMPS DE CUISSON pour tout numéro de grille.
- Appuyer sur la touche START / STOP (marche-arrêt); l'afficheur indique LOC. Appuyer une seconde fois sur la touche START / STOP (marche-arrêt) pour sauvegarder le menu TEMPS DE CUISSON du numéro de grille.
- 5. Pour quitter le mode programmation, appuyer deux fois sur la touche START / STOP (marche-arrêt).

Enlever le produit, fermer la porte. Répéter les étapes de ❖ jusqu'à ce que tous les numéros de grilles aient été programmés.

Démarrage d'un cycle minuité en utilisant un menu individuel programmé et un temps de cuisson pour chaque numéro de grille

- Lorsque la température réglée est atteinte, ouvrir la porte; l'afficheur indique *door (porte)*. Placer le ou les produits dans le four.
- Fermer la porte. L'affichage retourne à la température réglée ou à la *BARRE CROISSANTE*.
- Sélectionner l'article de menu (une fois pour Primaire ou deux fois pour Secondaire) et le numéro de grille pour sélectionner le menu et le temps de cuisson du numéro de grille. Pour utiliser simultanément les temps de cuisson, sélectionner un autre menu et numéro de grille.
- La minuterie sélectionne le numéro de grille ainsi que le temps de cuisson le plus court et le compte à rebours indique 00:00.
- L'avertisseur retentit et le numéro de grille clignote. Pour éteindre l'avertisseur, appuyer sur le numéro de grille qui clignote.
- Ouvrir la porte; l'afficheur indique *door (porte)*; enlever le produit cuit; fermer la porte.
- ❖ Le prochain temps de cuisson le plus court s'affiche, le numéro de grille clignote et le compte à rebours indique 00:00. L'avertisseur retentit. Appuyer sur le numéro de grille qui clignote. Ouvrir la porte; l'afficheur indique *door (porte)*.
- Enlever le produit, fermer la porte. Répéter les étapes de ❖ jusqu'à ce que tous les numéros de grilles aient été programmés.

Démarrage d'un cycle minuité pour toutes les grilles

- Ouvrir la porte, l'afficheur indiquera *door (porte)*.
- Placer le produit désiré sur n'importe laquelle des cinq grilles.
- Fermer la porte. L'affichage devrait retourner à la température réglée ou à la *BARRE CROISSANTE*.
- Pour sélectionner un temps de cuisson d'un article de menu, appuyer une fois sur la touche Menu pour Primaire ou deux fois pour Secondaire.
- Appuyer sur la touche START / STOP (marche-arrêt). *
- La minuterie compte à rebours le temps restant pour le temps de cuisson d'un article de menu.
- Lorsque le compte à rebours du temps est à 00:00, l'avertisseur retentit et toutes les touches de grilles clignotent.
- Pour éteindre l'avertisseur, appuyer sur la touche START / STOP (marche-arrêt).
- * En appuyant sur la touche START / STOP (marche-arrêt) après avoir effectué une sélection de menu, toutes les grilles seront minutées pour le temps de menu sélectionné.

Toujours régler la température avant de régler le temps

- Appuyer sur la touche SET (réglage). Appuyer sur la touche TEMPÉRATURE; l'afficheur indique *StPt*. Se servir des touches avec flèches pour augmenter et diminuer la température. Pour sauvegarder, appuyer de nouveau sur la touche SET (réglage).
- Au démarrage, l'afficheur indiquera une *BARRE CROISSANTE*. Lorsque la température atteint la température de cuisson, la température réglée s'affiche. Le voyant READY (prêt) est allumé, le voyant HEAT (chauffage) s'éteint et il est temps de sélectionner le temps de cuisson, le temps de menu ou le temps de cuisson du numéro de grille.

Programmation du temps de cuisson pour un numéro de grille individuel d'un article de menu

- Pour entrer en mode programmation, appuyer et maintenir enfoncées les touches avec flèches jusqu'à ce que l'afficheur indique PROG.
- ❖ Sélectionner l'article de menu à programmer (1 à 6). L'afficheur indique *Time* pour le TEMPS. Se servir des touches avec flèches pour augmenter ou diminuer le TEMPS DE CUISSON d'un article de menu. Répéter cette étape pour tous les autres articles de menu.
- Appuyer sur la touche START / STOP (marche-arrêt); l'afficheur indique LOC. Appuyer une seconde fois sur la touche START / STOP (arrêt) pour sauvegarder le TEMPS DE CUISSON d'un article de menu.
- Appuyer une fois sur la touche START / STOP (marche-arrêt) pour commencer la cuisson (avec le temps de cuisson d'un article de menu).
- Appuyer sur la touche START / STOP (arrêt) pour quitter, appuyer une seconde fois sur la touche START / STOP (marche-arrêt).

Changement du réglage du temps de cuisson pour tout article de menu (1 à 6)

Le voyant Primaire pour le menu 1 / 2 sélectionne Articles de menu 1 (Temps de cuisson pré-réglé en usine = 10 minutes). Le voyant Secondaire pour le menu 1/2 sélectionne Articles de menu 2 (Temps de cuisson pré-réglé en usine = 15 minutes). Même chose pour les touches de menu 3 / 4 ou 5 / 6. Le temps de cuisson pour tout article de menu peut être changé en utilisant la procédure ci-dessous. Les temps de cuisson des grilles peuvent être programmés si on le désire, mais ne sont pas requis.

VALEURS PROGRAMMABLES				
SÉLECTION DE MENU	ARTICLES DE MENU	PRÉRÉGLAGE EN USINE	ARTICLES DE MENU	ARTICLES DE MENU
1/2 Primaire	1	10 min	ARTICLES DE MENU	ARTICLES DE MENU
1/2 Secondaire	2	15 min	ARTICLES DE MENU	ARTICLES DE MENU
3/4 Primaire	3	20 min	ARTICLES DE MENU	ARTICLES DE MENU
3/4 Secondaire	4	25 min	ARTICLES DE MENU	ARTICLES DE MENU
5/6 Primaire	5	30 min	ARTICLES DE MENU	ARTICLES DE MENU
5/6 Secondaire	6	35 min	ARTICLES DE MENU	ARTICLES DE MENU

Les pré-réglages en usine et les temps de cuisson programmables sont indiqués ci-dessous :

PROGRAMMATION DU TEMPS DE CUISSON POUR ARTICLES DE MENU ET NUMÉROS DE GRILLES

- * La commande retient les réglages manuels pour le temps de cuisson, la température et le niveau de puissance.
- L'avertisseur retient. Pour l'éteindre, appuyer de nouveau sur la touche START / STOP (marche-arrêt).
- Le compte à rebours du temps de cuisson manuel indique 00:00. L'afficheur indique [H:Min] si plus d'une heure; [min:sec] si moins d'une heure.
- Appuyer sur la touche START / STOP (marche-arrêt).

Pour commencer la cuisson

- Appuyer de nouveau sur la touche SET (réglage) pour sauvegarder la valeur du niveau de puissance dans l'ordinateur.
- Se servir des touches avec flèches pour augmenter ou diminuer la valeur du niveau de puissance.
- Appuyer sur la touche SET (réglage). Appuyer sur la touche %.

Pour régler le niveau de puissance

- Appuyer de nouveau sur la touche SET (réglage) pour sauvegarder la température de cuisson dans l'ordinateur.
- Se servir des touches avec flèches pour augmenter ou diminuer la valeur de la température affichée.

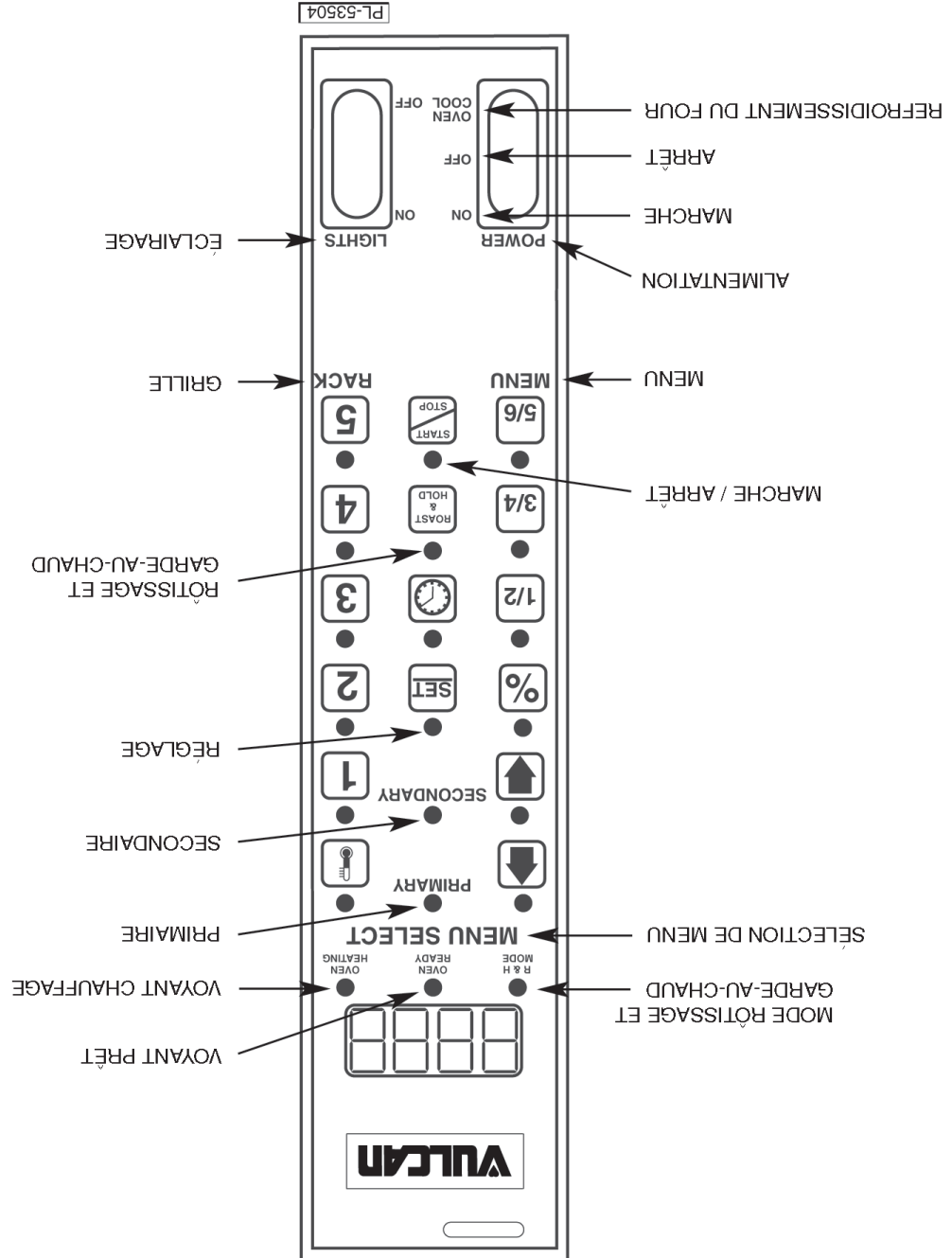
Pour régler la température

- Appuyer sur la touche SET (réglage). Appuyer sur la touche TEMPÉRATURE; l'afficheur indique *StP* pour la température de cuisson.
- Se servir des touches avec flèches pour augmenter ou diminuer le temps de cuisson affiché (H:min).
- Appuyer sur la touche SET (réglage). Appuyer sur la touche TIME (temps). L'afficheur indique *Time* pour le TEMPS.

Pour régler le temps de cuisson

RÉGLAGE MANUEL DE LA TEMPÉRATURE ET DU TEMPS DE CUISSON

Affiche toujours [H:Min] lorsqu'on règle le temps. Affiche [H:Min] si le compte à rebours du temps est plus d'une heure. Affiche [Min:Sec] si le compte à rebours du temps est moins d'une heure. Affiche la température en °C (°F).	
Indique que le four est en mode RÔTISSEGE ET GARDE-AU-CHAUD.	
Indique que le four est préchauffé et prêt pour la cuisson.	
Indique que le four préchauffe.	
Indique les articles de menu 1, 3 ou 5.	
Indique les articles de menu 2, 4 ou 6.	
Flèche en haut pour augmenter ou en bas pour diminuer un temps ou une valeur de température affichés (si les touches de flèches sont allumées).	
Règle le degré de chaleur du four ou le niveau de puissance de 20 à 100%.	
TEMPÉRATURE : Utiliser avec SET (réglage) pour régler la température du four.	
RÉGLAGE : Utiliser avec le temps ou la température.	
TEMPS : Utiliser avec RÉGLAGE pour régler l'heure manuellement.	
Choisit le mode RÔTISSEGE ET GARDE-AU-CHAUD; sélectionne aussi la basse vitesse du ventilateur.	
Appuyer une fois pour mettre en marche et une seconde fois pour arrêter.	
Choisir le temps de cuisson du menu. Appuyer une fois pour les articles de menu primaire (1, 3 ou 5). Appuyer une seconde fois pour les articles de menu secondaire (2, 4 ou 6). Voir page suivante.	
Les touches de grille sélectionnent un menu individuel et le temps de cuisson pour un numéro de grille - une fois qu'il est programmé.	



COMMANDES – MODELES SG4C et SG6C fabriqués après octobre 1999

Fig. 5

À la fin de la journée

1. Mettre l'interrupteur principal à OVEN COOL (refroidissement du four). Laisser les portes entrouvertes pendant que le ventilateur fonctionne pour accélérer le refroidissement.

2. Lorsque le four est suffisamment froid, mettre l'interrupteur principal à OFF (arrêt).

3. Fermer le robinet de gaz derrière le panneau et nettoyer le four.

4. Laisser la porte ouverte durant la nuit ou lorsque le four ne fonctionne pas pour une période de temps prolongé.

Arrêt prolongé

Reprendre les étapes 1 à 3. Débrancher le four et fermer le robinet de gaz manuel.

1. Ouvrir les portes et déposer le produit dans le four. Placer les bacs au centre des grilles. Fermer les portes.
2. Régler la commande de puissance à la cuisson désirée.
3. Régler la minuterie. Lorsque le temps est écoulé, régler la minuterie à OFF (arrêt) pour éteindre l'avertisseur.
4. Lorsque le produit est cuit, ouvrir les portes et le sortir du four avec précaution. Essuyer tout débordement.

Cuisson

7. Préparer les aliments et les déposer dans des bacs appropriés. Le voyant blanc CHAUFFAGE s'éteint lorsque le four a atteint la température de préchauffage désirée.
6. Régler le thermostat à la température désirée. Le voyant CHAUFFAGE s'allume et demeure allumé jusqu'à ce que le four atteigne la température désirée (de 10 à 15 minutes environ pour les réglages de 149 à 204 °C [300 à 400 °F]). Se reporter aux GUIDES DE CUISSON pour les temps et températures de cuisson de divers aliments ou plats.
5. Régler l'interrupteur de ventilateur à deux vitesses au réglage désiré.
4. Régler le commutateur de puissance à 10.
3. Mettre l'interrupteur principal à ON (marche). Le voyant ambre MARCHÉ s'allume, indiquant que le four est sous tension.
2. S'assurer que les portes sont fermées.
1. Choisir l'arrangement des grilles approprié au produit (se reporter à la section ARRANGEMENT DES GRILLES).

Préchauffage

UTILISATION DES FOURS SG4D ET SG6D

- Si le four ne s'allume pas après trois tentatives, fermer le robinet de gaz principal et communiquer avec un service de l'entretien autorisé.
5. Attendre cinq minutes avant de reprendre les étapes 1 à 4.
 4. Si le four refuse de s'allumer, le voyant rouge DÉFAILLANCE ALLUMAGE s'allume et demeure allumé. Mettre l'interrupteur principal à OFF (arrêt). Couper l'alimentation en gaz.
 3. Mettre l'interrupteur principal à ON (marche) et régler le thermostat à la température la plus élevée. Les voyants MARCHÉ et CHAUFFAGE devraient s'allumer. Si le voyant CHAUFFAGE ne s'allume pas, s'assurer que les portes sont bien fermées.
 2. Ouvrir le robinet de commande du gaz situé derrière la petite porte du panneau de commande inférieur.
 1. Ouvrir le robinet de gaz principal.

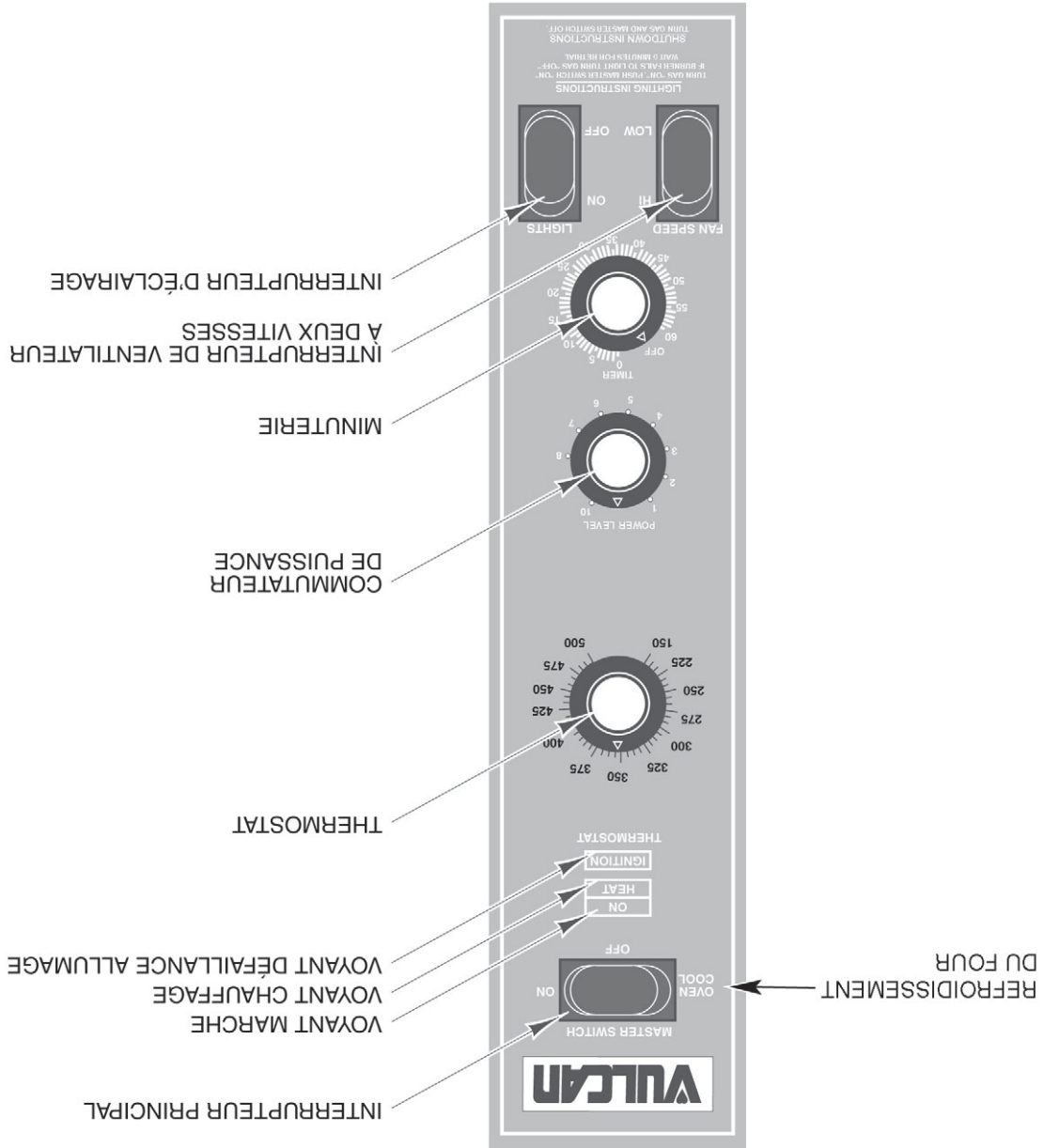
ALLUMAGE DES FOURS SG4D ET SG6D

1. Avant d'utiliser le four pour la première fois, le faire chauffer jusqu'à ce que toutes les odeurs de matériaux neufs se soient dissipées.
1. Au moyen d'un chiffon propre et humide, nettoyer les parois de l'enceinte de cuisson y compris les grilles.
2. Fermer les portes du four, mettre l'interrupteur principal à ON (marche), régler le thermostat à 149 °C (300 °F) et faire fonctionner le four de six à huit heures. Éteindre le four par l'interrupteur principal une fois le cycle terminé.

AVANT UNE PREMIÈRE UTILISATION

- **Interrupteur principal** — ON (marche) – pour la mise sous tension des circuits de commande du four.
 - **Interrupteur principal** — OFF (arrêt) – pour la mise hors tension des circuits de commande du four.
 - **OVEN COOL** – permet le fonctionnement du ventilateur lorsque les portes sont entrouvertes en vue d'accélérer le refroidissement du four.
 - **Voyant MARCHÉ (ambre)** — S'allume lorsque l'interrupteur principal est à la position ON (marche).
 - **Voyant CHAUFFAGE (blanc)** — S'allume et s'éteint selon que le brûleur s'allume ou s'éteint.
 - **Voyant DÉFAILLANCE ALLUMAGE (rouge)** — S'allume si le brûleur refuse de s'allumer. Clignote à l'allumage du four.
 - **Thermostat** — Commande la température du four pendant la cuisson.
 - **Commutateur de puissance** — Un potentiomètre permettant de régler le débit de chaleur de 22 à 100 %.
- | Réglage | Puissance (%) |
|---------|---------------|
| 1 | 22 |
| 2 | 28 |
| 3 | 37 |
| 4 | 45 |
| 5 | 53 |
| 6 | 60 |
| 7 | 68 |
| 8 | 73 |
| 9 | 77 |
| 10 | 100 |
- **Minuterie de 1 heure** — Permet le réglage du temps de cuisson. Un avertisseur émet un signal continu lorsque le temps est écoulé, mais le four ne s'éteint pas. Régler la minuterie à OFF (arrêt) pour éteindre l'avertisseur et lorsque le four ne sert pas.
 - **Interrupteur de ventilateur à deux vitesses** — Permet le réglage de la vitesse de l'air dans le four.
 - **Interrupteur d'éclairage** — Commande l'éclairage du four.

Fig. 4



COMMANDES DES MODELES SG4D ET SG6D (Fig. 4)

AVERTISSEMENT : LE FOUR ET SES COMPOSANTS SONT CHAUDS. EXERCER UNE EXTRÊME PRUDENCE LORS DE SON UTILISATION OU NETTOYAGE.

FONCTIONNEMENT

SYSTÈME D'ÉVACUATION

NE PAS obstruer le débit des gaz brûlés dans le conduit d'évacuation à l'arrière de l'appareil. On recommande l'évacuation des gaz brûlés à l'extérieur de l'immeuble au moyen d'une hotte de ventilation installée par un personnel qualifié.

Le four peut aussi être pourvu d'un coupe-tirage antirefoulement en option qu'on doit se procurer auprès du fabricant du four et qui doit aussi permettre l'évacuation des gaz brûlés à l'extérieur de l'immeuble, faute de quoi toutes les certifications et les garanties seront annulées. Raccorder le coupe-tirage (si le four en est pourvu d'un) à conduit d'évacuation de type B.

Maintenir un dégagement minimum de 457 mm (18 po) entre le conduit d'évacuation de l'appareil et les filtres de la hotte.

Les informations sur la construction et l'installation des hottes de ventilation sont comprises dans la norme NFPA n° 96 (dernière édition) sur l'installation d'équipement pour la dispersion des vapeurs chargées de graisse et de la fumée provenant des appareils de cuisson commerciaux dont on peut se procurer un exemplaire auprès de la National Fire Protection Association, Batterymarch Park, Quincy, MA 02269.

Les raccords d'alimentation de la conduite de gaz et la pâte à joints de tuyaux doivent résister à l'action du gaz propane.

L'entrée de gaz se trouve à l'arrière du four. Conformément aux exigences des codes, installer un robinet d'arrêt dans la conduite de gaz en amont du four.

Raccorder la conduite de gaz à l'appareil après son nivelage. La canalisation de gaz doit être composée d'un tuyau de fonte d'au moins 19 mm (3/4 po). S'assurer que les tuyaux sont propres et qu'ils ne comportent aucun corps étranger ni trace de saleté ou de pâte à joints.

Le four est muni d'orifices fixes pré-réglés selon l'altitude à laquelle il se trouve.

Il est aussi pourvu d'un régulateur intégré à la vanne électromagnétique de gaz et ne requiert l'ajout d'aucun régulateur externe.

Les régulateurs de pression sont pré-réglés à une pression de 0,87 kPa (3,5 po de colonne d'eau) pour le gaz naturel et de 2,49 kPa (10 po de colonne d'eau) pour le gaz propane.

AVERTISSEMENT : AVANT DE PROCÉDER À L'ALLUMAGE, FAIRE CIRCULER DE L'EAU SAVONNEUSE DANS TOUS LES JOINTS DE LA CONDUITE DE GAZ POUR S'ASSURER QU'ILS NE PRÉSENTENT AUCUNE FUITE. NE PAS SE SERVIR D'UNE FLAMME NUE.

Après avoir enrayé toute possibilité de fuite, purger toutes les conduites de gaz pour évacuer tout l'air qui pourrait s'y trouver.

ESSAIS DE LA CANALISATION DE GAZ

Si la pression de la canalisation de gaz est supérieure à 3,45 kPa (1/2 psig) lors d'essais de pression, débrancher le four et son robinet d'arrêt de la conduite de gaz.

Lorsque la pression d'essai est égale ou inférieure à 3,45 kPa (1/2 psig), isoler l'appareil de la canalisation de gaz en fermant son robinet manuel.

RÉGLAGES

Réglage des ouvertures d'approvisionnement d'air

Bien que les ouvertures d'approvisionnement d'air du brûleur principal soient réglées en usine, les vérifier au moment de l'installation. Un trop grand approvisionnement d'air fait décoller la flamme du brûleur s'il est froid ou risque de provoquer une rentrée de flamme pendant le fonctionnement normal du four, particulièrement avec l'utilisation de gaz propane.

Un approvisionnement d'air insuffisant donnera une flamme à bout jaune et provoquera une accumulation de carbone dans la chambre du brûleur et les tubes échangeurs de chaleur.

Communiquer avec le service de l'entrelien Vulcan-Hart le plus près au besoin.

DONNÉES ÉLECTRIQUES	DONNÉES DE GAZ		DÉBIT (BTU/h)	MODÈLE
	INTENSITÉ (A)	PRESSION D'ALIMENTATION		
120 V	Propane	Naturel	Propane	Naturel
9	2,49 kPa (10 po de colonne d'eau)	0,87 kPa (3,5 po de colonne d'eau)	60 000	SG4D/C SG6D/C
18	2,49 kPa (10 po de colonne d'eau)	0,87 kPa (3,5 po de colonne d'eau)	120 000	SG44D/C SG66D/C

CARACTÉRISTIQUES ÉLECTRIQUES ET DE GAZ

RACCORDEMENT ÉLECTRIQUE

AVERTISSEMENT : LE RACCORDEMENT ÉLECTRIQUE ET LA MISE À LA TERRE DOIVENT ÊTRE CONFORMES AUX NORMES CONCERNÉES DU CODE CANADIEN DE L'ÉLECTRICITÉ OU DE TOUT AUTRE CODE D'ÉLECTRICITÉ EN VIGUEUR.

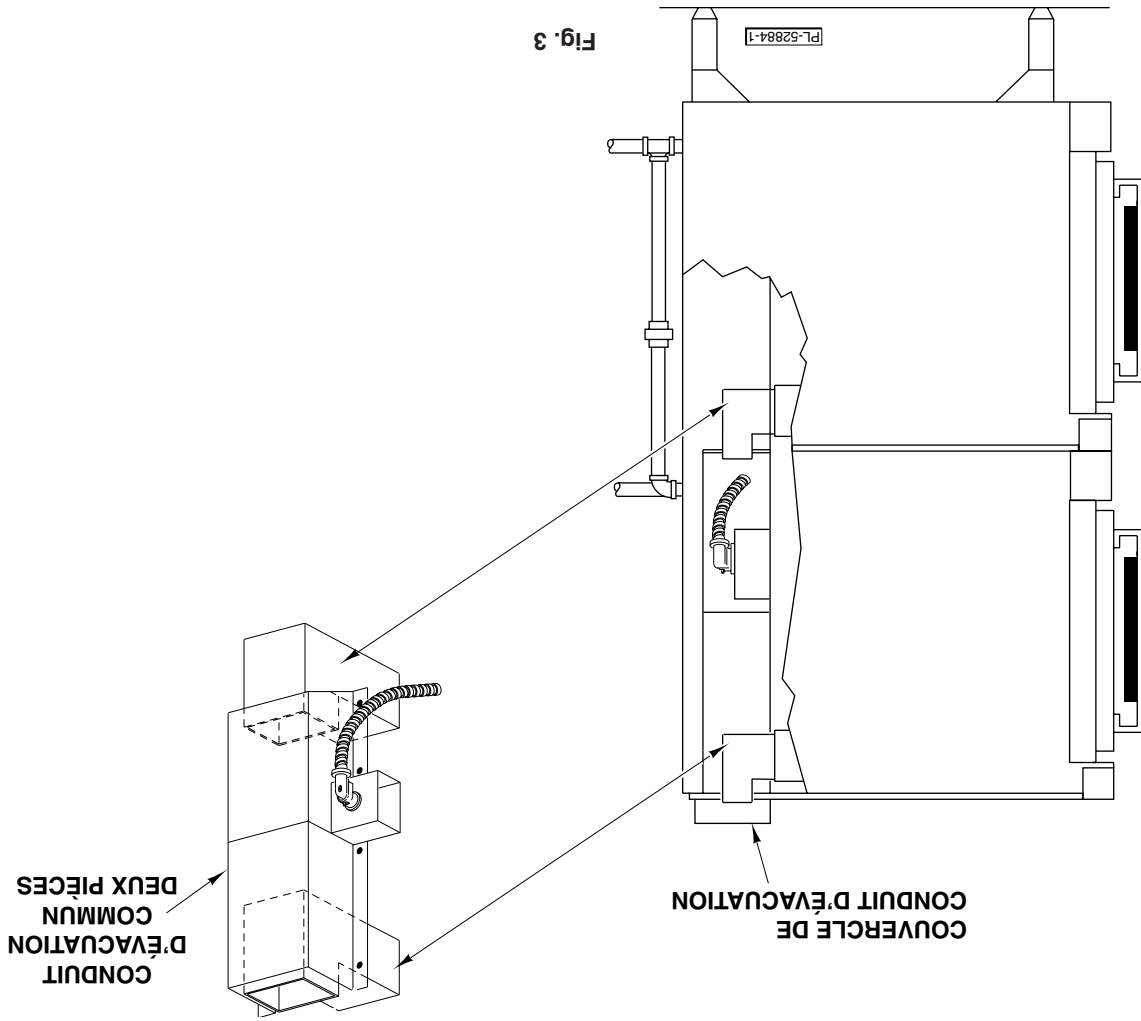
AVERTISSEMENT : LE CORDON D'ALIMENTATION EST POUR VU D'UNE FICHE À TROIS BROCHES DONT UNE MISE À LA TERRE. LA PRISE DANS LAQUELLE ELLE EST BRANCHÉE DOIT ÊTRE CORRECTEMENT MISE À LA TERRE. SI ELLE NE L'EST PAS, COMMUNIQUER AVEC UN ÉLECTRICIEN. NE PAS ENLEVER LA BROCHE DE MISE À LA TERRE.

Se référer à la section Codes d'installation et Normes de ce manuel.

Se reporter au schéma de câblage apposé à l'intérieur du panneau de droite.

NIVELAGE

S'assurer que les grilles du four sont de niveau une fois celui-ci installé. Dans le cas d'un four sur pattes, régler les pieds pour niveler l'appareil d'avant vers l'arrière et latéralement.



SUPERPOSITION DE FOURS

Déballer le four et le nécessaire de superposition. Coucher le four inférieur sur le dos en prenant soin de ne pas appuyer celui-ci sur des entretoises appropriées (51 x 102 mm [2 x 4 po] par exemple) pour ne pas endommager le raccord. Fixer les quatre pattes au four au moyen des 24 boulons et rondelles-freins fournis (6 par patte). Déposer le four inférieur (avec pattes et roulettes) sur le plancher et enlever les deux débouchures de 11 mm (7/16 po) de diamètre de chaque côté du couvercle supérieur. Enlever et jeter le couvercle du conduit d'évacuation.

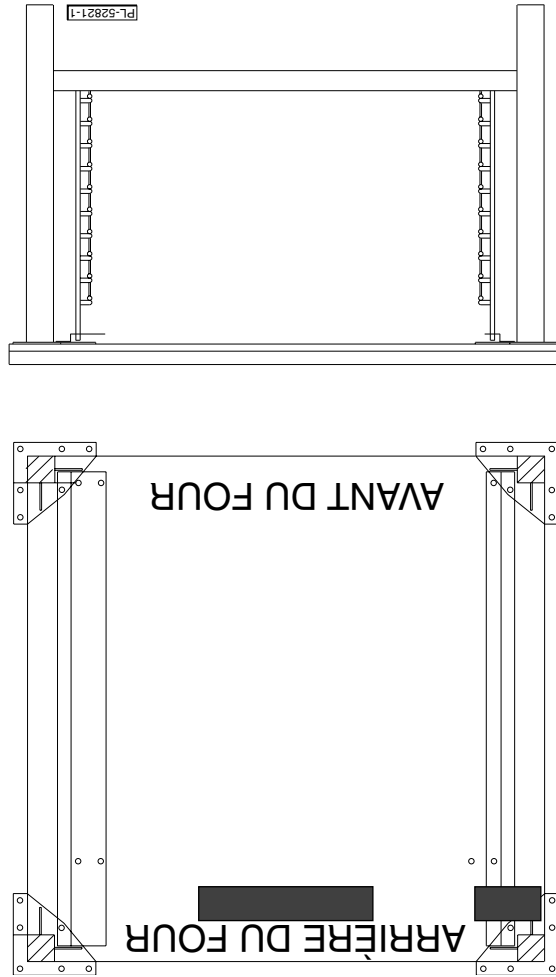
Mettre le four (avec pattes et roulettes) à l'emplacement prévu et y déposer le four supérieur en prenant soin de l'aligner avec les goujons de positionnement.

Enlever le panneau arrière du four SUPÉRIEUR. Installer le conduit d'évacuation commun deux pièces (Fig. 3) au moyen des quatre vis fournies. Remettre le panneau arrière du four en place.

Raccorder la tuyauterie entre les fours supérieur et inférieur. La pâte à joints de tuyaux doit convenir au type de gaz utilisé (naturel ou propane).

Le robinet de gaz manuel situé derrière la petite porte du panneau inférieur avant doit demeurer fermé tant que tous les raccordements électriques n'auront pas été faits et les fours vérifiés ou utilisés.

Fig. 2



Fixer la tablette aux pattes au moyen de 8 boulons et rondelles-freins (2 par patte).
Installer les guides-crémallières aux endroits désirés sur la tablette (pour bac ou plaque), puis les crémallières dans les guides. Fixer les crémallières aux pattes après avoir enlevé un des boulons du centre et remettre celui-ci en place par les trous d'extrémité de la crémallière (Fig. 2).

Fixer les quatre pattes en dessous du four au moyen des 24 boulons et rondelles-freins (6 par patte). Relever celui-ci avec soin.

Assemblage du four sur le support

Fixer les quatre pattes en dessous du four au moyen des 24 boulons et rondelles-freins (6 par patte). Relever celui-ci avec soin.

Poser les pattes en dessous du four. Coucher le dos en prenant soin de ne pas l'égratigner ou l'endommager. Puisque le raccord de la conduite d'alimentation en gaz fait saillie au dos du four, appuyer celui-ci sur des entretoises appropriées (51 x 102 mm [2 x 4 po] par exemple) pour ne pas endommager le raccord.

Assemblage des pattes

Fermer le robinet de gaz principal avant de détacher le dispositif de retenue. Le rattachier et remettre l'appareil à sa position normale avant d'ouvrir le robinet de gaz principal.

Le point de raccordement du dispositif de retenue est situé derrière l'appareil tel qu'illustré à la Fig. 1.

NOTA: Si cet appareil est installé sur des roulettes, utiliser les roulettes fournis ainsi qu'un connecteur conforme à la norme ANSI Z21.69 • CSA 6.16 et un raccord à débanchement rapide conforme à la norme ANSI Z21.41 • CSA 6.9. Il doit aussi être installé avec un dispositif de retenue de façon à éviter une transmission de tension vers le connecteur, selon les instructions du fabricant.

Les appareils sur roulettes doivent être munis d'un tuyau de raccordement flexible (non fourni par Vulcan) conforme à la norme ANSI Z21.69 • CSA 6.16 sur les tuyaux de raccordement des appareils au gaz mobiles et d'un raccord à débanchement rapide satisfaisant les exigences de la norme ANSI Z21.69 • CSA 6.16 sur les dispositifs à débanchement rapide d'appareils au gaz (normes ANSI-Z21.41 • CSA 6.9 pour les États-Unis). En plus, munir le four d'une chaîne de retenue pour la conduite d'alimentation en gaz de façon à limiter le mouvement de l'appareil sans devoir compter sur le tuyau de raccordement ou le raccord à débanchement rapide, ni même sur la tuyauterie pour le garder immobile. Fixer la chaîne de retenue à l'arrière du four (Fig. 1).

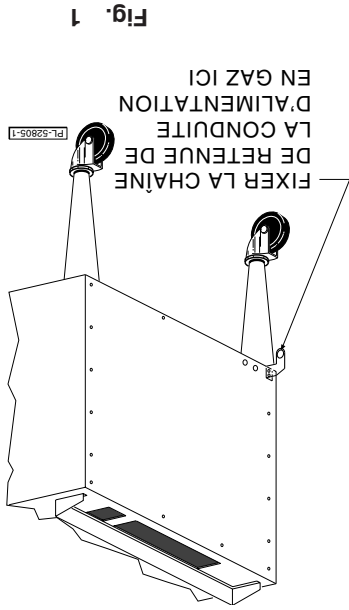


Fig. 1

Appareils sur roulettes

Installer le four de base sur des pattes, des roulettes ou un support modulaire. Il n'est pas recommandé de l'installer sur une base en béton ou un support qui restreint la circulation de l'air en dessous du four, faute de quoi la garantie sera annulée.

INSTALLATION DU FOUR DE BASE

1. Codes locaux.
2. Code d'installation des appareils fonctionnant au gaz naturel et propane CSA B149.1.
3. Code canadien de l'électricité CSA C22.1 dont on peut se procurer un exemplaire à l'Association canadienne de normalisation, 5060 Spectrum Way, bureau 100, Mississauga, Ontario, Canada L4W 5N6.

Au Canada :

1. Codes locaux.
2. Norme ANSI-Z223.1 (dernière édition) du National Fuel Gas Code dont on peut se procurer un exemplaire auprès de l'American Gas Association, 1515 Wilson Blvd., Arlington, VA 22209.
3. Norme ANSI/NFPA n° 70 (dernière édition) du National Electrical Code dont on peut se procurer un exemplaire auprès de la National Fire Protection Association, Batterymarch Park, Quincy, MA 02269.

Aux États-Unis :

L'installation des fours Vulcan doit se faire selon les codes suivants :

CODES D'INSTALLATION ET NORMES

INSTALLATION

Avant de procéder à l'installation, s'assurer que l'alimentation électrique de l'immeuble et le type de gaz (naturel ou propane) correspondent aux spécifications de la plaque signalétique apposée derrière le panneau de garnissage supérieur sur le devant du four. S'ils ne correspondent pas, ne pas installer l'appareil. Communiquer sans tarder avec votre détaillant Vulcan-Hart.

DÉBALLAGE

Avant de quitter l'usine, cet appareil a été inspecté soigneusement. Le transporteur est entièrement responsable de la marchandise jusqu'à la livraison. Immédiatement après avoir déballé l'appareil, vérifier s'il n'a pas été endommagé lors du transport. En cas de dommages, conserver le matériel d'emballage et aviser le transporteur dans les 15 jours suivant la date de réception.

Déballer le four avec soin et le placer à proximité de l'emplacement prévu et à un endroit suffisamment espace pour en faciliter l'entretien.

Ne pas soulever le four par les portes ou les poignées.

EMPLACEMENT

Aucune substance combustible ne doit se trouver à proximité de l'appareil.

Observer un dégagement minimal de toute construction combustible de 25 mm (1 po) du côté gauche du four, de 102 mm (4 po) du côté droit et de 152 mm (6 po) derrière. Dans le cas d'une construction incombustible, observer un dégagement minimal de 102 mm (4 po) du côté droit du four et de 152 mm (6 po) derrière. Aucun dégagement n'est requis du côté gauche du four.

Peut s'installer sur un plancher combustible.

Installer le four dans un endroit suffisamment espace pour en faciliter l'utilisation et l'entretien.

Installer le four de manière à ne pas obstruer l'air nécessaire à la combustion et à la ventilation. Observer un dégagement suffisant autour des ouvertures d'approvisionnement d'air de la chambre de combustion. S'assurer d'une ventilation suffisante dans le local pour permettre la combustion des gaz.

Veiller à ce que les ventilateurs ne soufflent pas directement sur l'appareil et, dans la mesure du possible, ne pas ouvrir les fenêtres à proximité de l'appareil ni utiliser des ventilateurs muraux qui produisent des courants d'air.

Modele	Thermostat (chaque four)	Minuterie (chaque four)	Nécessaire de superposition	Rôtissage et garde-au- chaud	Pattes mm (po)
SG44C/SG66C	électronique	électronique	X	X	203 (8)
SG4C/SG6C	électronique	électronique		X	654 (25 3/4)
SG44D/SG66D	à semi-conducteurs	cadran de 1 heure	X		203 (8)
SG4D/SG6D	à semi-conducteurs	cadran de 1 heure			654 (25 3/4)

CARACTÉRISTIQUES

Les fours à air pulsé au gaz Snorkel^{MD} de VULCAN sont fabriqués avec le plus grand soin et à partir des meilleurs matériaux. Leur installation, utilisation et entretien appropriés permettent d'en obtenir un rendement optimal pendant de nombreuses années.

Il est recommandé de lire le manuel au complet et de suivre attentivement toutes les instructions.

Les fours à air pulsé au gaz SG4D et SG6D sont pourvus d'un thermostat à semi-conducteurs, d'une minuterie à cadran de 1 heure et avertisseur, d'un moteur de 0,25 kW (1/3 CV) à deux vitesses et d'une enceinte comme équipement standard. Les fours SG4C et SG6C sont équipés d'un brûleur de 60 000 BTU/h.

Les modèles SG4C et SG6C sont pourvus de commandes électroniques, d'un moteur de 0,25 kW (1/3 CV) à deux vitesses, de la fonction RÔTISSAGE ET GARDE-AU-CHAUD et d'une enceinte en porcelaine comme équipement standard. Les fours SG6D et SG6C sont équipés d'un brûleur de 60 000 BTU/h.

L'enceinte des modèles SG6D et SG6C est plus profonde.

Les modèles SG44D, SG44C, SG66D et SG66C sont constitués de deux fours simples et comprennent un nécessaire de superposition permettant de superposer les fours.

Tous les modèles sont pourvus d'un commutateur de puissance qui permet de régler le débit de chaleur de 22% à 100 % et fonctionnent à un courant monophasé de 120 V.

Tous les fours standard équipés du courant 120 V requièrent un courant monophasé et sont munis d'une fiche à trois broches dont une de mise à la terre.

Ouverture simultanée des portes, minuterie de cinq heures, alimentation électrique de 208/240 V à raccorderment de câblage directement à la plaque à bornes fourni avec le four, grilles supplémentaires et support pourvu d'une tablette de rangement au bas sont offerts en option.

Installation, fonctionnement et entretien FOURS À AIR PULSÉ AU GAZ SNORKEL^{MD} SG4D, SG4C, SG6D ET SG6C DOCUMENT À CONSERVER EN CAS DE BESOIN.

4	GÉNÉRALITÉS
5	INSTALLATION
5	Déballage
5	Emplacement
5	Codes d'installation et normes
6	Installation du four de base
8	Superposition de fours
9	Nivelage
9	Raccordement électrique
10	Branchement du gaz
10	Essais de la canalisation de gaz
10	Réglages
11	Système d'évacuation
12	FONCTIONNEMENT
12	Commandes des modèles SG4D et SG6D
13	Avant une première utilisation
14	Allumage des fours SG4D et SG6D
14	Utilisation des fours SG4D et SG6D
15	Commandes des modèles SG4C et SG6C
21	Avant une première utilisation
21	Allumage des fours SG4C et SG6C
21	Utilisation des fours SG4C et SG6C
22	Messages d'erreur – modèles SG4C et SG6C
23	Mode RÔTISSEGE ET GARDE-AU-CHAUD
24	Arrangement des grilles
25	Conservation de l'énergie
25	Conseils d'utilisation
29	Thermostat de sécurité
30	Nettoyage
31	ENTRETIEN
31	Lubrification
31	Conduit d'évacuation
31	Remplacement des lampes
31	Service de l'entretien et pièces de rechange
32	DÉPANNAGE

TABLE DES MATIÈRES

MESURES DE SÉCURITÉ IMPORTANTES

CE MANUEL A ÉTÉ PRÉPARÉ À L'INTENTION D'UN PERSONNEL QUALIFIÉ ET AUTORISÉ À INSTALLER DES APPAREILS FONCTIONNANT AU GAZ ET À EFFECTUER LE DÉMARRAGE INITIAL CHEZ LE CLIENT DE MÊME QUE LE RÉGLAGE DES APPAREILS CONCERNÉS DANS CE MANUEL.

AFFICHER À UN ENDROIT VISIBLE LES PREMIERS SOINS À ADMINISTRER À TOUTE PERSONNE AYANT RESPIRÉ LES GAZ QUE CET APPAREIL DÉGAGE. ON PEUT SE PROCURER CES INFORMATIONS CHEZ LE FOURNISSEUR DE GAZ LE PLUS PRÈS.

IMPORTANT

EN CAS D'ODEURS DE GAZ, ÉTEINDRE L'APPAREIL PAR LE ROBINET D'ARRÊT PRINCIPAL ET COMMUNIQUER AVEC LA COMPAGNIE DE GAZ LA PLUS PRÈS OU AVEC LE FOURNISSEUR DE GAZ ATTIRÉ POUR L'ENTRETIEN.

AVERTISSEMENT

NE PAS ENTREPOSER NI UTILISER D'ESSENCE NI D'AUTRES VAPEURS OU LIQUIDES INFLAMMABLES DANS LE VOISINAGE DE CET APPAREIL OU DE TOUT AUTRE APPAREIL.

AVERTISSEMENT

UNE INSTALLATION, UN RÉGLAGE, UNE MODIFICATION, UNE RÉPARATION OU UN ENTRETIEN NON CONFORMES AUX NORMES PEUT ENTRAÎNER DES DOMMAGES MATÉRIELS, DES BLESSURES OU LA MORT. LIRE ATTENTIVEMENT LES NOTICES D'INSTALLATION, DE FONCTIONNEMENT ET D'ENTRETIEN AVANT DE FAIRE L'INSTALLATION OU L'ENTRETIEN DE CET APPAREIL.

EN CAS DE PANNE DE COURANT, NE PAS FAIRE FONCTIONNER CET APPAREIL.

Pour de plus amples détails sur Vulcan-Hart ou pour repérer le détaillant de pièces et de service autorisé le plus près, visitez notre site Internet à : www.vulcanhart.com



- | | |
|-----------|------|
| ML-114878 | SG6C |
| ML-114877 | SG6D |
| ML-114876 | SG4C |
| ML-114875 | SG4D |

MODELES

FOUR À AIR PULSÉ AU GAZ
SNORKEL^{MD} DE LA SÉRIE SG

MANUEL D'INSTALLATION
ET MODE D'EMPLOI



Free Manuals Download Website

<http://myh66.com>

<http://usermanuals.us>

<http://www.somanuals.com>

<http://www.4manuals.cc>

<http://www.manual-lib.com>

<http://www.404manual.com>

<http://www.luxmanual.com>

<http://aubethermostatmanual.com>

Golf course search by state

<http://golfingnear.com>

Email search by domain

<http://emailbydomain.com>

Auto manuals search

<http://auto.somanuals.com>

TV manuals search

<http://tv.somanuals.com>