

VULCAN

CATALOG OF REPLACEMENT PARTS

TILTING SKILLET

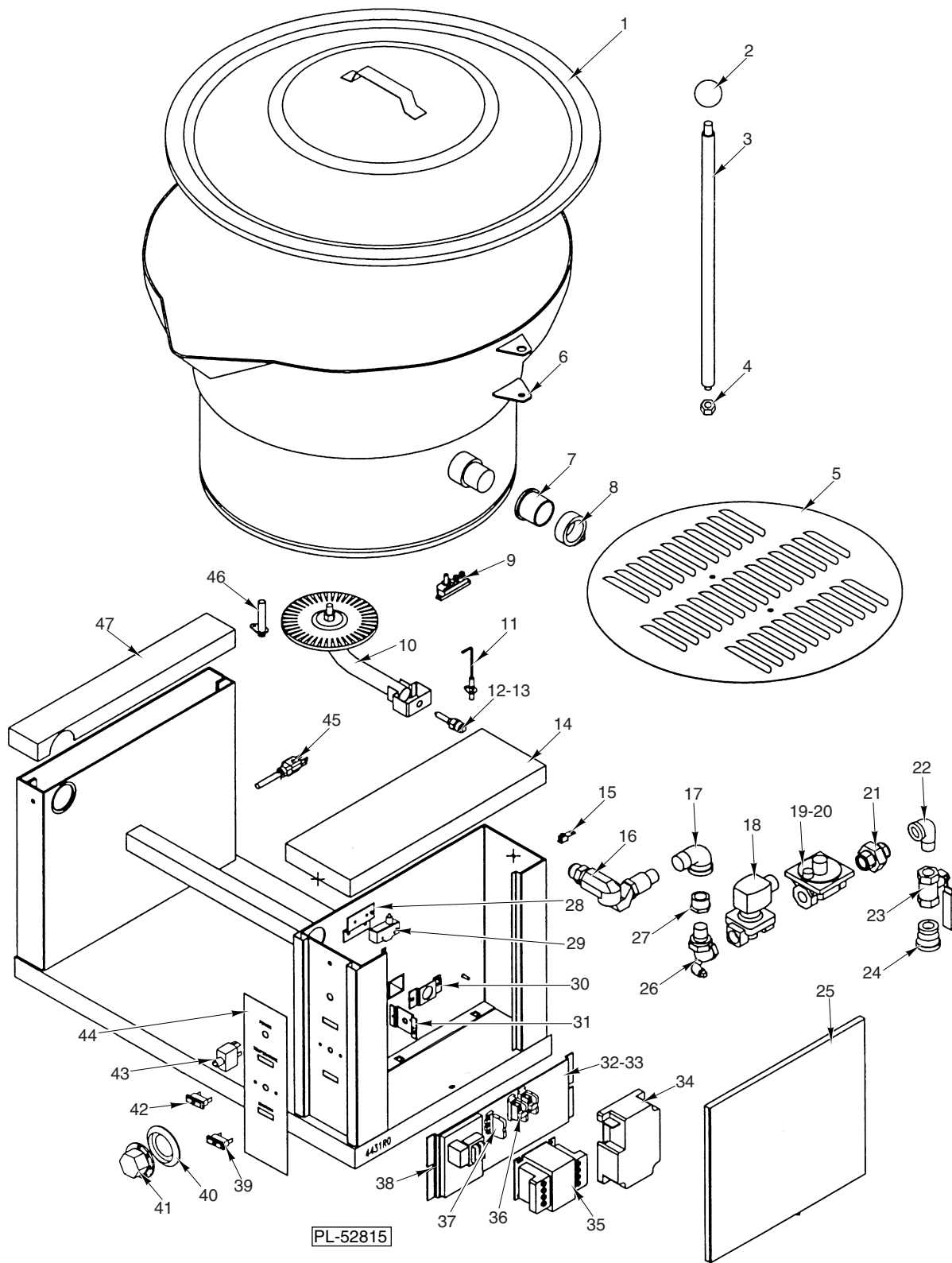
MODEL

VGCTS16 ML-114827



VULCAN-HART COMPANY, P.O. BOX 696, LOUISVILLE, KY 40201-0696, TEL. (502) 778-2791

FORM 31046 (11-97)



TILTING SKILLET ASSEMBLY

TILTING SKILLET ASSEMBLY

ILLUS. PL-52815	PART NO.	NAME OF PART	AMT.
1	00-851370	Cover Assy.	1
2	00-836964	Knob	1
3	00-851372	Handle	1
4	00-851373	Nut - Acorn	1
5	00-851393	Cover - Bottom	1
6	00-851371	Pan Assembly	1
7	00-851374	Bearing	2
8	00-851392	Collar - Actuator	1
9	00-844367-00064	Thermostat - Hi-Limit	1
10	00-851394	Burner	1
11	00-844367-00066	Sensor - Flame	1
12	00-851386	Orifice (NAT)(Select as Required)	1
13	00-851387	Orifice (LP)(Select as Required)	1
14	00-851391	Cover - Console (R.H.)	1
15	00-844367-00008	Lug - Ground	1
16	00-850151	Joint - Gas Swivel	1
17	00-851017	Elbow - Street 3/4	1
18	00-844367-00049	Solenoid - Gas	1
19	00-844367-00047	Regulator - Gas Pressure (Nat)	1
20	00-844367-00048	Regulator - Gas Pressure (LP)	1
21	FP-022-11	Union - Pipe	1
22	FP-013-17	Elbow - Street 1/2 x 90 Deg.	1
23	00-844367-00059	Valve - Gas Shut-Off	1
24	00-851531	Coupling - Red	1
25	00-851395	Panel - Access	1
26	00-851527	Union Elbow	1
27	FP-026-20	Bushing - Red 3/4 to 1/2	1
28	00-851399	Bracket - Switch Mounting	1
29	00-881971	Switch - Limit	1
30	00-851398	Bracket - Retaining	1
31	00-851397	Spacer - Pot	1
32	00-844367-00053	Controller - Potentiometer (120V)(Select as Required)	1
33	00-850545	Control - Pot Clockwise (240V)(Select as Required)	1
34	00-851419	Module - Ignition	1
35	00-844367-00056	Transformer	1
36	00-844367-00051	Block - Terminal (208V. Thru 480V.)	2
37	00-844367-00052	Section - End	1
38	00-851396	Plate - Component Mounting	1
39	00-850589	Light - Pilot (Green)(28V)	1
40	00-844367-00005	Bezel	1
41	00-851401	Dial Assembly	1
42	00-844485	Light - Pilot (Red)(120V)	1
43	00-881970	Switch - Power	1
44	00-851400	Label - Control	1
45	00-851389	Cord Set	1
46	00-851388	Coil - Glow	1
47	00-851390	Cover - Console (L.H.)	1
	00-851566	Pan - Sliding Drain	1
	00-850604	Foot - Adjustable	4
	00-851542	Strainer	1
	00-844367-00060	Ignition Wire Harness	1
	00-850153	Block - Terminal	2
	00-851322	Boot - Rubber	1
	00-850687	Thermocouple	1
	00-851402	Thermocouple	1
	00-851403	Label - Operation (English)	1
	00-851545	Open Stand W/Sliding Pan and Hose	1
	00-850480	Hose	1
	00-850700	Clamp - Hose	1

Free Manuals Download Website

<http://myh66.com>

<http://usermanuals.us>

<http://www.somanuals.com>

<http://www.4manuals.cc>

<http://www.manual-lib.com>

<http://www.404manual.com>

<http://www.luxmanual.com>

<http://aubethermostatmanual.com>

Golf course search by state

<http://golfingnear.com>

Email search by domain

<http://emailbydomain.com>

Auto manuals search

<http://auto.somanuals.com>

TV manuals search

<http://tv.somanuals.com>