

VULCAN

CATALOG OF REPLACEMENT PARTS

VDL & VDP DIRECT STEAM TRI-LEG AND PEDESTAL BASE FLOOR MOUNTED 2/3 JACKETED KETTLES

MODEL

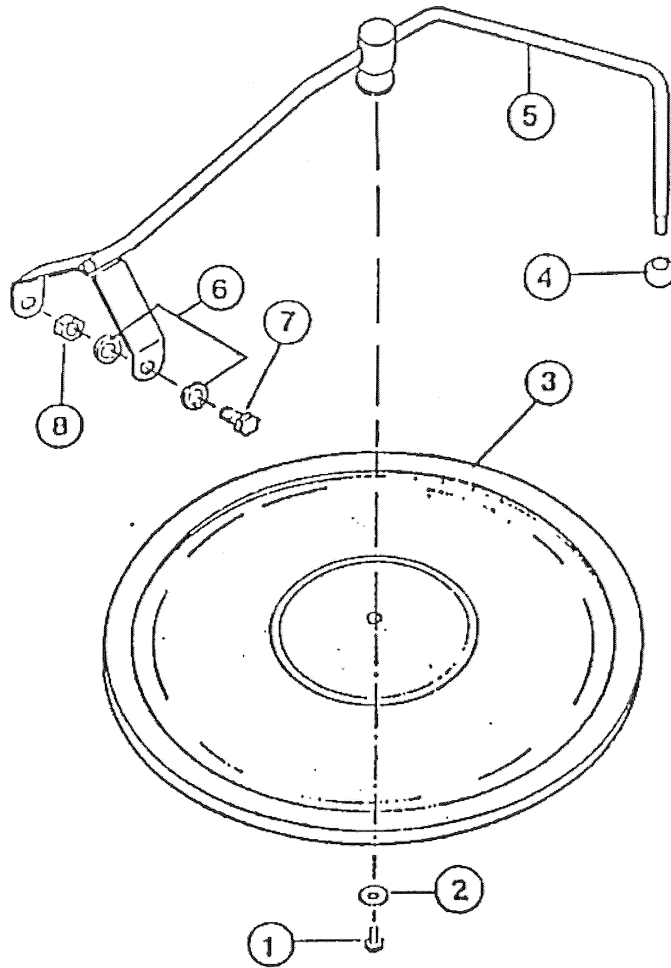
VDL20	ML-103402
VDL30	ML-103403
VDL40	ML-103404
VDL60	ML-103405
VDL80	ML-103406
VDL100	ML-103407
VDP20	ML-103408
VDP30	ML-103409
VDP40	ML-103410
VDP60	ML-103411
VDP80	ML-103412
VDP100	ML-103413



For additional information on Vulcan-Hart Company or to locate an authorized parts and service provider in your area, visit our website at www.vulcanhart.com

VULCAN-HART
DIVISION OF ITW FOOD EQUIPMENT GROUP, LLC
WWW.VULCANHART.COM

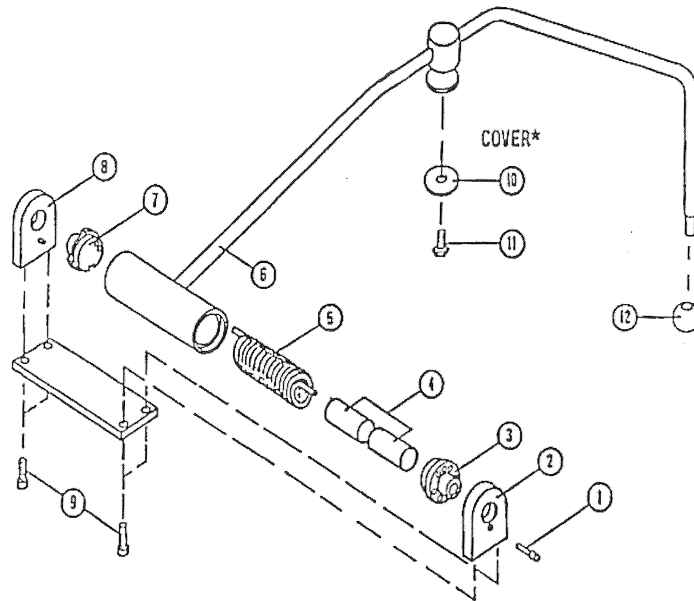
P.O. BOX 696, LOUISVILLE, KY 40201-0696
TEL. (800) 814-2028
FORM 37128 (June 2008)



COUNTER BALANCED HINGED COVER

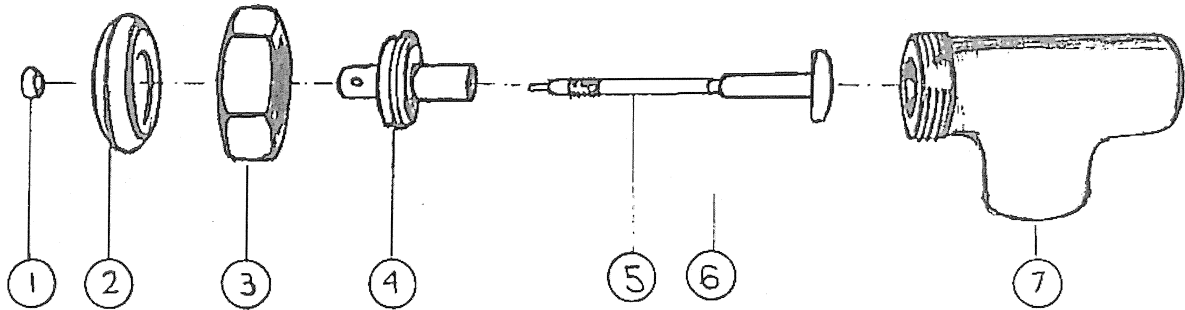
REPLACEMENT PARTS LIST

PART NO.	NAME OF PART	AMT.
1	00-842956 Bolt	1
2	00-850622 Washer	1
3	00-851961 Cover (20 Gallon)	1
	00-850430 Cover (30 Gallon)	1
	00-850217 Cover (40 Gallon)	1
	00-844424 Cover (60 Gallon)	1
	00-850548 Cover (80 Gallon)	1
	00-851009 Cover (100 Gallon)	1
4	00-836964 Knob	1
5	00-850499 Handle Assy. (20 Gallon)	1
	00-857093 Handle Assy. (30 Gallon)	1
	00-850698 Handle Assy. (40 Gallon)	1
6	00-851906 Fiber Washer	4
7	SC-041-42 Bolt	2
8	NS-015-16 Nut	2



**SPRING ASSIST HINGE ASSEMBLY
REPLACEMENT PARTS LIST**

PART NO.	NAME OF PART		AMT.
20 to 40 Gallon Kettles			
1	00-836977	Lock Pin	1
2	00-836978	End Lock Plate	1
3	00-836979	Stationary Disc.....	1
4	00-844367-00034	Cores	2
5	00-844367-00035	Spring	1
6	00-850518-00002	Handle Assy. (20 Gallon)	1
	00-850518-00003	Handle Assy. (30 Gallon)	1
	00-850518	Handle Assy. (40 Gallon)	1
7	00-836983	Rotary Disc	1
8	00-836932	End Stop Plate	1
9	00-844367-00036	Cap Screws	4
	00-850622	Washer	1
11	00-842956	Bolt	1
12	00-836964	Knob	1
	00-844459	Hinge Assy.	1
	00-851961	Cover (20 Gallon)	1
	00-850430	Cover (30 Gallon)	1
	00-850217	Cover (40 Gallon)	1
60 to 100 Gallon Kettles			
1	00-836986	Lock Pin	1
2	00-836987	End Lock Plate	1
3	00-836988	Stationary Disc.....	1
4	00-836989	Cores	2
5	00-836990	Spring	1
6	00-850061	Handle Assy. (60 Gallon)	1
	00-844462	Handle Assy. (80 Gallon)	1
	00-850477	Handle Assy. (100 Gallon)	1
7	00-836992	Rotary Disc	1
8	00-836993	End Stop Plate	1
9	SC-041-10	Cap Screws	4
	00-850622	Washer	1
11	00-842956	Bolt	1
12	00-836964	Knob	1
	00-844461	Hinge Assy.	1
	00-844424	Cover (60 Gallon)	1
	00-850548	Cover (80 Gallon)	1
	00-851009	Cover (100 Gallon)	1



DRAW OFF VALVES

REPLACEMENT PARTS LIST

PART NO.	NAME OF PART	AMT.		
		1½ " Valve	2" Valve	3" Valve
1	00-836939 Nut	1	1	
	00-836940 Nut			1
2	00-836967 Handle	1	1	
	00-836942 Handle			1
3	00-836943 Hex. Assembly Nut	1		
	00-836944 Hex. Assembly Nut		1	
	00-836945 Hex. Assembly Nut			1
4	00-836946 Bonnet	1		
	00-836947 Bonnet		1	
	00-836948 Bonnet			1
5	00-850218 Disc & Stem Assy.	1		
	00-836950 Disc & Stem Assy.		1	
	00-836951 Disc & Stem Assy.			1
6	00-836966 "O" Ring	1		
	00-836953 "O" Ring		1	
	00-836954 "O" Ring			1
7	00-836955 Valve Body	1		
	00-836956 Valve Body		1	
	00-836957 Valve Body			1
	00-851561 Strainer (Draw Off Valve)	1		
	00-850593 Strainer (Draw Off Valve)		1	
	00-840554 Strainer (Draw Off Valve)			1
	00-851291 Draw Off Valve Complete	1		
	00-851293 Draw Off Valve Complete		1	
	00-851294 Draw Off Valve Complete			1
	00-851927 Dairy Valve		1	
	00-850421 Dairy Valve			1

PARTS NOT SHOWN

PART NO.	NAME OF PART	AMT.
00-844034	Knob (Steam Control Valve).....	1
00-836937	Steam Control Valve (1/2").....	1
00-881984	Steam Control Valve (3/4").....	1
00-844527	Steam Trap.....	1
00-881980	35# psi Relief Valve.....	1
00-844492	50# psi Relief Valve.....	1
00-843837	Ball Valve (1/2") (Drains Condensate).....	1
00-836958	Flanged Foot.....	3

Free Manuals Download Website

<http://myh66.com>

<http://usermanuals.us>

<http://www.somanuals.com>

<http://www.4manuals.cc>

<http://www.manual-lib.com>

<http://www.404manual.com>

<http://www.luxmanual.com>

<http://aubethermostatmanual.com>

Golf course search by state

<http://golfingnear.com>

Email search by domain

<http://emailbydomain.com>

Auto manuals search

<http://auto.somanuals.com>

TV manuals search

<http://tv.somanuals.com>