

VULCAN

CATALOG OF REPLACEMENT PARTS

VELT ELECTRIC TRI-LEG FLOOR MOUNTED TILTING 2/3 JACKETED KETTLES

MODEL

<i>VELT20</i>	<i>ML-103442</i>
<i>VELT30</i>	<i>ML-103443</i>
<i>VELT40</i>	<i>ML-103444</i>
<i>VELT60</i>	<i>ML-103445</i>
<i>VELT80</i>	<i>ML-103446</i>
<i>VELT100</i>	<i>ML-052999</i>

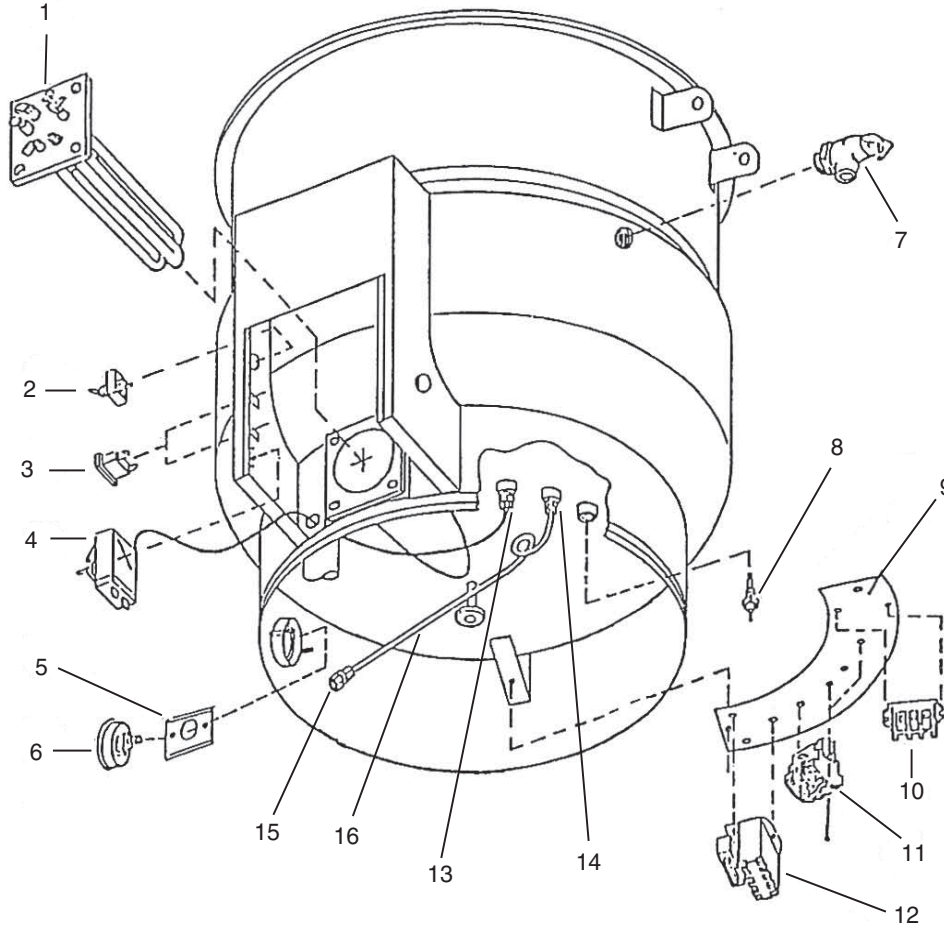


For additional information on Vulcan-Hart Company or to locate an authorized parts and service provider in your area, visit our website at www.vulcanhart.com

VULCAN-HART
DIVISION OF ITW FOOD EQUIPMENT GROUP, LLC
WWW.VULCANHART.COM

P.O. BOX 696, LOUISVILLE, KY 40201-0696
TEL. (800) 814-2028

FORM 37121 (January 2008)



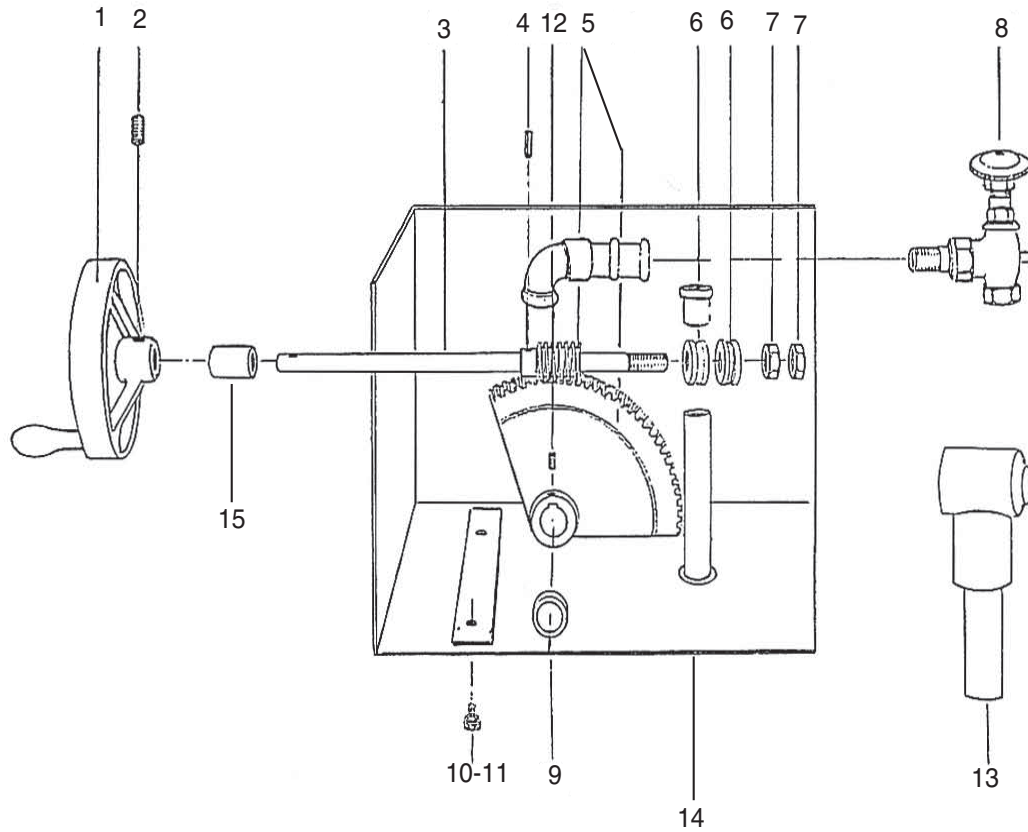
KETTLE - EXPLODED VIEW

REPLACEMENT PARTS LIST

PART NO.	NAME OF PART	AMT.				
		20	30	40	60, 80	100
1	00-881996 Element (208 V, 12 kW)	1				
	00-881997 Element (220/380 V, 12 kW)	1				
	00-881998 Element (240 V, 12 kW)	1				
	00-881999 Element (480 V, 12 kW)	1				
	00-836818 Element (208 V, 15 kW)	1				
	00-836819 Element (220/380 V, 15 kW)	1				
	00-836820 Element (240 V, 15 kW)	1				
	00-836821 Element (480 V, 15 kW)	1				
	00-836822 Element (208 V, 18 kW)	1		1		
	00-863823 Element (220/380 V, 18 kW)	1		1		
	00-836824 Element (240 V, 18 kW)	1		1		
	00-836825 Element (480 V, 18 kW)	1		1	1	1
	00-836826 Element (208 V, 24 kW)	1		1		1
	00-836827 Element (240 V, 24 kW)	1		1		1
	00-836828 Element (480 V, 24 kW)	1		1		1
	00-836829 Element (208 V, 33 kW)	1		1		1
	00-836830 Element (240 V, 33 kW)	1		1		1
	00-836831 Element (480 V, 33 kW)	1		1		1
*	00-881969 Element Gasket	1	1	1	1	1

REPLACEMENT PARTS LIST (Cont.)

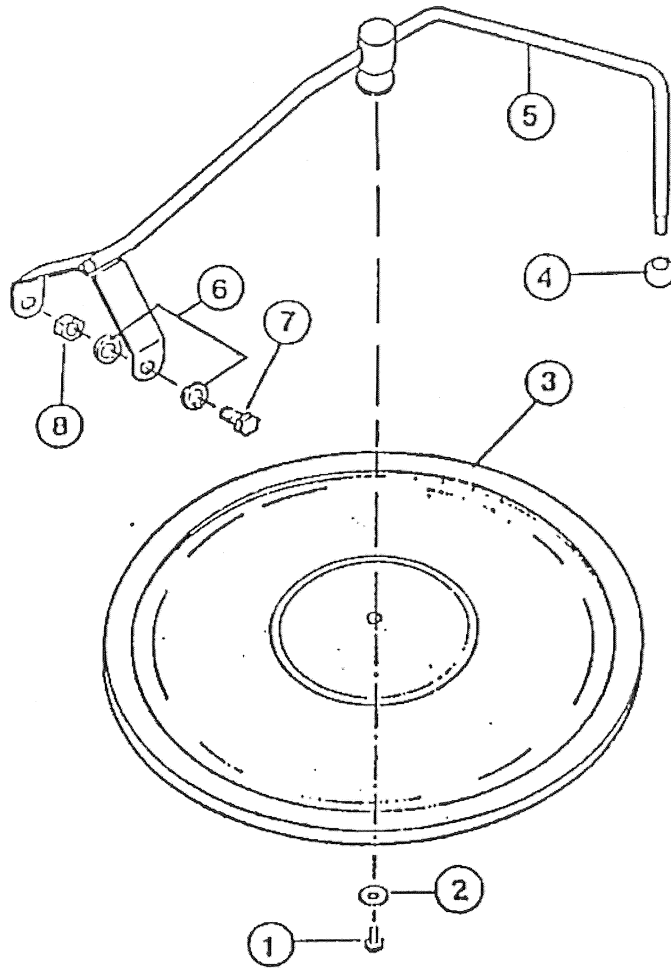
PART NO.	NAME OF PART	AMT.				
		20	30	40	60, 80	100
2	00-881970 Power Switch	1	1	1	1	1
3	00-881972 Low Water Pilot Light	1	1	1	1	1
	00-881972 Temperature Pilot Light	1	1	1	1	1
4	00-881973 Thermostat	1	1	1	1	1
*	00-836968 Thermostat Knob	1	1	1	1	1
*	00-844367-00005 Bezel, Thermostat	1	1	1	1	1
5	00-836938 Mounting Plate	1	1	1	1	1
6	00-881979 Pressure Gauge	1	1	1	1	1
7	00-881980 Valve, Pressure Relief, 35#	1	1	1	1	1
	00-844492 Valve, Pressure Relief, 50#	1	1	1	1	1
8	00-881981 Probe	1	1	1	1	1
9	00-836995-00001 Component Mounting Plate	1				
	00-836995-00002 Component Mounting Plate		1			
	00-836995-00003 Component Mounting Plate			1		
	00-836995-00004 Component Mounting Plate				1	
	00-853911 Component Mounting Plate				1	1
10	00-844367-00009 Terminal Block Section	3	3	3	3	3
	00-844367-00010 Terminal Block End Section	1	1	1	1	1
11	00-881975 Contactor (208, 220, 240 V) (12, 15, 18 kW)	2	2	2	2	
	00-881975 Contactor (380, 220/380, 416, 240/416, 480, 600 V) (12, 15, 18 kW)	1	1	1	1	
	00-836997 Contactor (208, 220, 240 V) (24 kW)			2	2	2
	00-836997 Contactor (480, 600 V) (24 kW)			1	1	1
	00-840444 Contactor (208, 220, 240 V) (33 kW)			2	2	2
	00-840444 Contactor (480, 600 V) (33 kW)			1	1	1
12	00-881960 Liquid Level Control	1	1	1	1	1
13	00-844401 Thermostat Fitting	1	1	1	1	1
14	00-844531 Fitting 1/4 cc X 3/8 MPT	1	1	1	1	1
15	00-844528 Fitting 1/4 cc X 1/4 FPT	1	1	1	1	1
16	00-522653-00002 Copper Tube 1/4 "	26"	28"	28"	29, 33"	35"
*	00-850489 Fuse Block (600 V)	1	1	1	1	1
*	00-853974 Fuse (1-amp)	AR	AR	AR	AR	AR
*	00-853974-00001 Fuse (2-amp)	AR	AR	AR	AR	AR
*	00-881991 Fuse (3-amp)	AR	AR	AR	AR	AR
*	00-851936 Transformer (380, 415 V)	1	1	1	1	1
*	00-881978 Transformer (480 V)	1	1	1	1	1
*	00-851938 Transformer (600 V)	1	1	1	1	1
*	00-856603 Transformer Fuse Block Mounting Bracket	1	1	1	1	1
*	00-881961 Air Vent Assy.	1	1	1	1	1
*	00-844367-00044 Hex Bolt (Element Assy.)	4	4	4	4	4
*	00-855144 Down Tube	1	1	1	1	1
*	00-851628 Control Box Cover	1				
*	00-850567 Control Box Cover			1		
*	00-851531 Control Box Cover (60 Gallon)				1	
*	00-850335 Control Box Cover (80 Gallon)				1	
*	00-850607 Decal (Control Panel)		1	1	1	1
*	00-852055 Decal (Control Panel)	1				
*	00-836958 Flanged Foot	3	3	3	3	3
*	00-843837 Drain Valve (Ball Valve)	1	1	1	1	1
*	Items Not Shown					



**TILTING MECHANISM
REPLACEMENT PARTS LIST**

PART NO.	NAME OF PART	AMT.
1	00-881962 Handwheel	1
2	SC-047-42 Set Screw	1
3	00-836936 Tilting Shaft	1
4	00-836952 Tension Pin	1
5	00-855086 Worm & Segment Gear Kit	1
6	00-881963 Thrust Bearing	2
7	NS-013-50 Jam Nut	2
8	00-881984 Steam Control Valve	1
9	00-836971 Spacer Collar	1
10	SC-090-12 Fastening Bolt	4
11	WL-004-06 Lock Washer	4
12	SC-047-42 Set Screw	1
	00-850166 Key (Not Visible)	1
	00-881967 "O" Ring (Not Visible)	4
13	00-850519 Outbore Bearing (Spring Assist Covers Only)	1
	00-841915 Outbore Bearing (Left Side)	1
	00-851348 Block Bearing (Right Side)	1
14	00-850434 Console Box	
15	00-836971 Spacer Collar	
	00-881971 Interlock Switch	

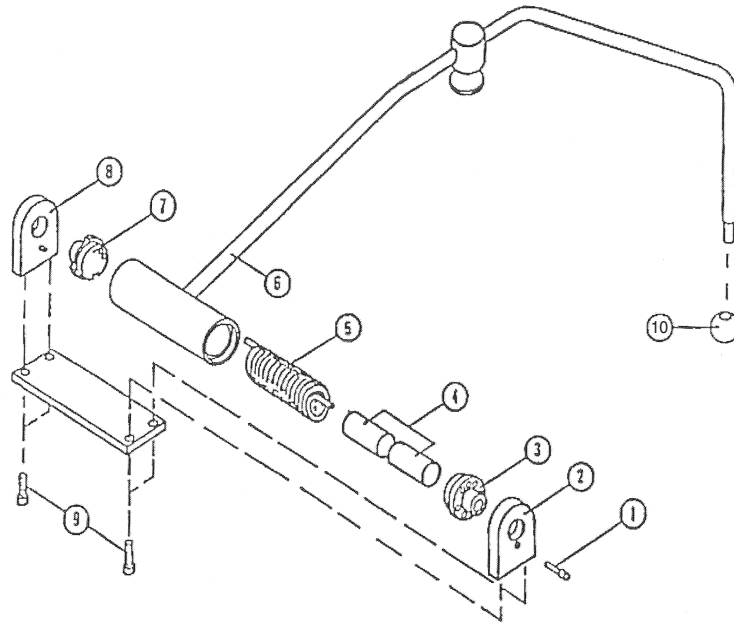
NOTE: Item No. 13, Outbore Bearing as shown, is standard for all kettles without Hinged Covers. If option of Hinged Cover has been exercised, specify part number as well as Model and Capacity of Kettle when ordering this part.



COUNTER BALANCED HINGED COVER

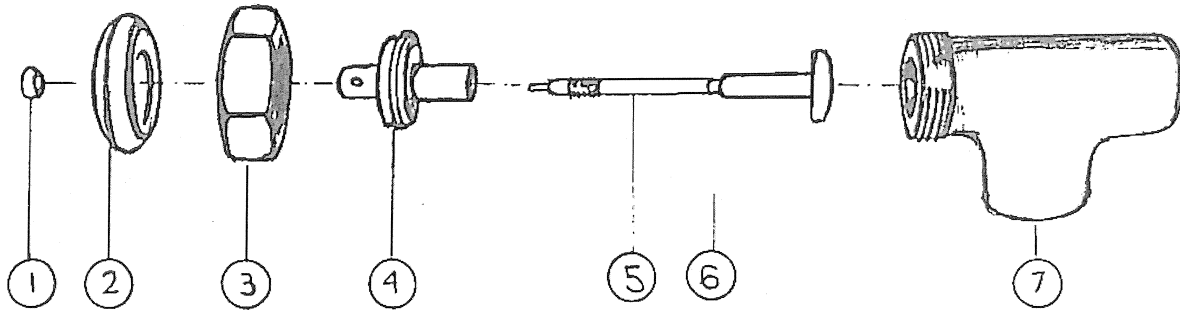
REPLACEMENT PARTS LIST

PART NO.	NAME OF PART	AMT.
1	00-842956 Bolt	1
2	00-850622 Washer	1
3	00-851961 Cover (20 Gallon)	1
	00-850430 Cover (30 Gallon)	1
	00-850217 Cover (40 Gallon)	1
	00-844424 Cover (60 Gallon)	1
	00-850548 Cover (80 Gallon)	1
	00-851009 Cover (100 Gallon)	1
4	00-836964 Knob	1
5	00-850499 Handle Assy. (20 Gallon)	1
	00-857093 Handle Assy. (30 Gallon)	1
	00-850698 Handle Assy. (40 Gallon)	1
6	00-851906 Fiber Washer	4
7	SC-041-42 Bolt	2
8	NS-015-16 Nut	2



**SPRING ASSIST HINGE ASSEMBLY
REPLACEMENT PARTS LIST**

PART NO.	NAME OF PART	AMT.
20 to 40 Gallon Kettles		
1	00-836977 Lock Pin	1
2	00-836978 End Lock Plate	1
3	00-854974 Stationary Disc	1
4	00-844367-00034 Cores	2
5	00-844367-00035 Spring	1
6	00-850518-00002 Handle Assy. (20 Gallon)	1
	00-850518-00003 Handle Assy. (30 Gallon)	1
	00-850518 Handle Assy. (40 Gallon)	1
7	00-854976 Rotary Disc	1
8	00-836993 End Stop Plate	1
9	00-844367-00036 Cap Screws	4
10	00-836964 Knob	1
	00-844459 Hinge Assy.	1
	00-851961 Cover (20 Gallon)	1
	00-850430 Cover (30 Gallon)	1
	00-850217 Cover (40 Gallon)	1
60 to 100 Gallon Kettles		
1	00-836986 Lock Pin	1
2	00-844367-00040 End Lock Plate	1
3	00-854974 Stationary Disc	1
4	00-854975 Cores	2
5	00-836990 Spring	1
6	00-850061 Handle Assy. (60 Gallon)	1
	00-844462 Handle Assy. (80 Gallon)	1
	00-850477 Handle Assy. (100 Gallon)	1
7	00-854976 Rotary Disc	1
8	00-836993 End Stop Plate	1
9	SC-041-10 Cap Screws	4
10	00-836964 Knob	1
	00-844461 Hinge Assy.	1
	00-844424 Cover (60 Gallon)	1
	00-850548 Cover (80 Gallon)	1
	00-851009 Cover (100 Gallon)	1



DRAW OFF VALVES

REPLACEMENT PARTS LIST

PART NO.	NAME OF PART	AMT.		
		1½ " Valve	2" Valve	3" Valve
1	00-836939 Nut	1	1	
	00-836940 Nut			1
2	00-836967 Handle	1	1	
	00-836942 Handle			1
3	00-836943 Hex. Assembly Nut	1		
	00-836944 Hex. Assembly Nut		1	
	00-836945 Hex. Assembly Nut			1
4	00-836946 Bonnet	1		
	00-836947 Bonnet		1	
	00-836948 Bonnet			1
5	00-850218 Disc & Stem Assy.	1		
	00-836950 Disc & Stem Assy.		1	
	00-836951 Disc & Stem Assy.			1
6	00-836966 "O" Ring	1		
	00-836953 "O" Ring		1	
	00-836954 "O" Ring			1
7	00-836955 Valve Body	1		
	00-836956 Valve Body		1	
	00-836957 Valve Body			1
	00-851561 Strainer (Draw Off Valve)	1		
	00-850593 Strainer (Draw Off Valve)		1	
	00-840554 Strainer (Draw Off Valve)			1
	00-851291 Draw Off Valve Complete	1		
	00-851293 Draw Off Valve Complete		1	
	00-851294 Draw Off Valve Complete			1
*	00-851927 Dairy Valve		1	
*	00-850421 Dairy Valve			1
*	Not Shown			

RECOMMENDED SPARE PARTS

PART NO.	NAME OF PART	AMT.
00-881961	Air Vent	1
00-881970	Power Switch	2
00-881972	ON Light & Low Water Light	2
00-881973	Thermostat	1
00-836968	Thermostat Knob	1
00-844492	Relief Valve (50#)	1
00-881960	Liquid Level Control	1
00-881981	Probe	1
00-881979	Pressure Gauge	1
00-881984	Steam Control Valve	1
00-836823	Element (208 V, 18 kW)	1
00-836824	Element (240 V, 18 kW)	1
00-836825	Element (480 V, 18 kW)	1
00-836826	Element (208 V, 24 kW)	1
00-836827	Element (240 V, 24 kW)	1
00-836828	Element (480 V, 24 kW)	1
00-836829	Element (208 V, 33 kW)	1
00-836830	Element (240 V, 33 kW)	1
00-836831	Element (480 V, 33 kW)	1
00-836926	Element Gasket	1
00-850489	Fuse Holder (480 V)	1
00-853974	Fuse (1-amp) (250 V)	3
00-881975	Contactora (15/18 kW) (208/240/480 V)	2
00-836997	Contactora (24 kW) (208/240/480 V)	2
00-840444	Contactora (33 kW) (208/240/480 V)	2
00-881978	Control Transformer (480 V)	1

Free Manuals Download Website

<http://myh66.com>

<http://usermanuals.us>

<http://www.somanuals.com>

<http://www.4manuals.cc>

<http://www.manual-lib.com>

<http://www.404manual.com>

<http://www.luxmanual.com>

<http://aubethermostatmanual.com>

Golf course search by state

<http://golfingnear.com>

Email search by domain

<http://emailbydomain.com>

Auto manuals search

<http://auto.somanuals.com>

TV manuals search

<http://tv.somanuals.com>