

INSTALLATION INSTRUCTIONS

MODEL WALLMNT-CHRBKR WALL MOUNT BRACKETS

VULCAN



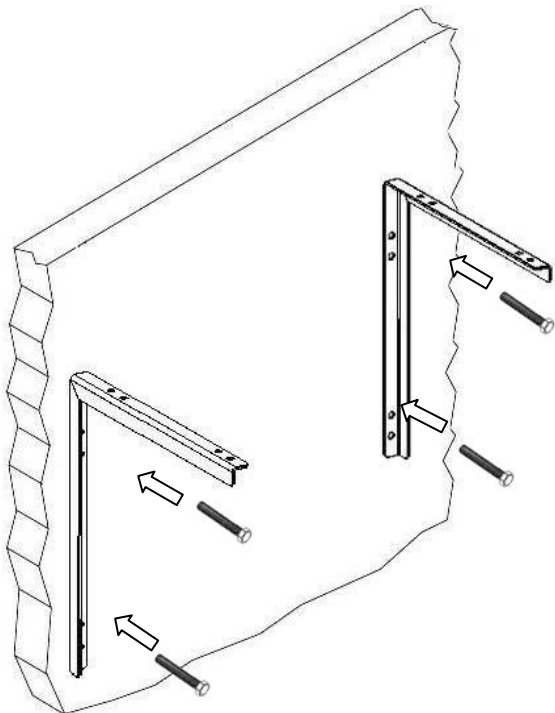
These brackets will work with all sizes of the following models:

Wolf

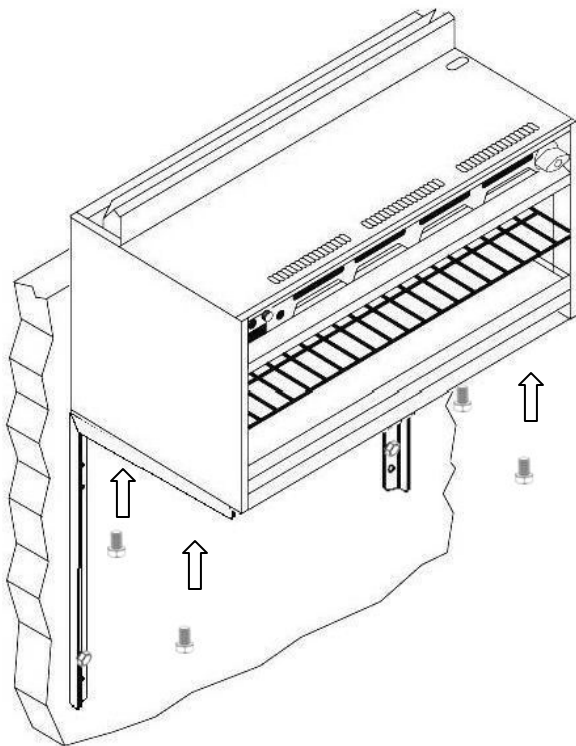
RB salamanders
IRB salamanders
CMJ cheesemelters

Vulcan

VSB salamanders
VCM cheesemelters



1. Follow the combustible/noncombustible clearance guidelines that are listed in the "Installation" section for the installation and operation manual of the unit you are installing.
2. Make sure brackets are level and properly spaced so that bracket holes will align with the threaded holes on the bottom of the unit to be mounted.
3. Secure brackets to wall by means of lag screws or bolts.
4. Mount the brackets only in the upside-down "L" position as shown.
5. Make sure the lag bolts or screws engage wall studs.



6. Place unit into position on the brackets, making sure that the unit's bottom threaded holes are aligned with the holes in the brackets.
7. Secure unit into position with 3/8" bolts at the bottom of the unit through the holes in the brackets.

Free Manuals Download Website

<http://myh66.com>

<http://usermanuals.us>

<http://www.somanuals.com>

<http://www.4manuals.cc>

<http://www.manual-lib.com>

<http://www.404manual.com>

<http://www.luxmanual.com>

<http://aubethermostatmanual.com>

Golf course search by state

<http://golfingnear.com>

Email search by domain

<http://emailbydomain.com>

Auto manuals search

<http://auto.somanuals.com>

TV manuals search

<http://tv.somanuals.com>