



VHFA18

18 PAN NON-INSULATED HOLDING & TRANSPORT CABINET



Model VHFA18

SPECIFICATIONS

Eighteen level holding and transport cabinet, Vulcan Hart Model No. VHFA18. Heavy duty 20 gauge polished stainless steel cabinet. Four 5" casters, 2 swivel with brakes, 2 rigid. Polycarbonate door with heavy duty hinges, door latch mechanism, and gaskets. Interior pan supports are designed to accommodate pan covers for transporting, and are removable for easy cleaning. Accepts eighteen 18" x 26" pans or thirty-six 12" x 20" x 2 3/4" pans. Top mounted, recessed control panel includes power "on" and heater "on" indicator lights, dial thermostat adjusts from ambient to 190°F, and temperature read-out dial. Two 1000 watt metal sheathed heating elements, 16.7 amps total draw. Lifetime warranty on the heating elements. Requires 120 volt, single phase power supply. Furnished with 6 feet power cord and NEMA 5-20 plug.

Exterior Dimensions: 25 1/4" W x 30 3/4" D x 71" H

UL listed, UL listed to Canadian safety standards, Energy Star approved



STANDARD FEATURES

- Eighteen level holding and transport cabinet accepts eighteen 18" x 26" pans or thirty-six 12" x 20" pans, pans may be up to 2 3/4" tall
- Heavy duty 20 gauge polished stainless steel cabinet
- Set of 5" casters, two swivel with brakes and two rigid
- Full size polycarbonate door with field reversible heavy duty hinges, door latch mechanism, and gaskets
- Fixed interior pan supports are designed to accommodate pan covers for transporting, and are removable for easy cleaning
- Top mounted, recessed control panel includes power "on" and heater "on" indicator lights, dial thermostat adjustable from ambient to 190°F, and temperature read-out dial
- Top mounted control panel is easy to use and out of the way of brooms, mops, and feet when transporting. Control panel on top eliminates removing control panel for cleaning
- Fan and air tunnel provide even heat distribution
- Two 1,000 watt metal sheathed heating elements, 16.7 amps total draw
- Requires 120 volt, single phase power supply
- Furnished with 6 feet power cord and NEMA 5-20 plug
- Lifetime warranty on the heating elements
- One year limited parts and labor warranty



Vulcan & Wolf Range

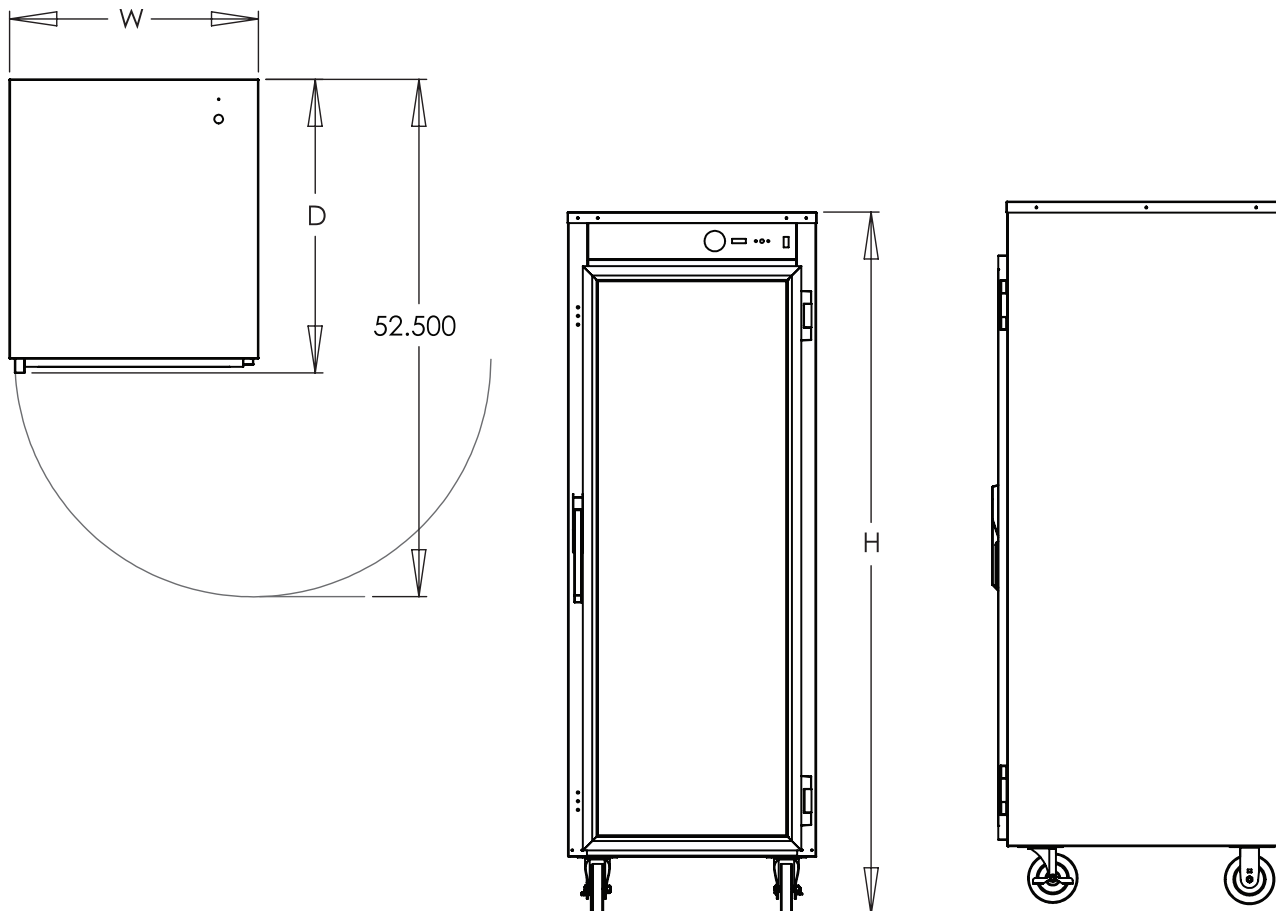
a division of ITW Food Equipment Group LLC

P.O. Box 696 ■ Louisville, KY 40201 ■ Toll-free: 1-800-814-2028 ■ Local: 502-778-2791 ■ Quote & Order Fax: 1-800-444-0602



VHFA18

18 PAN NON-INSULATED HOLDING & TRANSPORT CABINET



CAPACITY		DIMENSIONS	ELECTRICAL		
18" X 26" PANS	12" X 20" PANS		EXTERIOR DIMENSIONS	VOLTS	WATTS
18	36	25 1/4" W x 30 3/4" D x 71" H	120	2,000	16.7

Vulcan & Wolf Range reserves the right to change materials and specifications without notice.



Vulcan & Wolf Range
a division of ITW Food Equipment Group LLC

P.O. Box 696 ■ Louisville, KY 40201 ■ Toll-free: 1-800-814-2028 ■ Local: 502-778-2791 ■ Quote & Order Fax: 1-800-444-0602

Free Manuals Download Website

<http://myh66.com>

<http://usermanuals.us>

<http://www.somanuals.com>

<http://www.4manuals.cc>

<http://www.manual-lib.com>

<http://www.404manual.com>

<http://www.luxmanual.com>

<http://aubethermostatmanual.com>

Golf course search by state

<http://golfingnear.com>

Email search by domain

<http://emailbydomain.com>

Auto manuals search

<http://auto.somanuals.com>

TV manuals search

<http://tv.somanuals.com>