

VULCAN CATALOG OF REPLACEMENT PARTS

HALF SIZE GAS CONVECTION OVENS

ML-114569
ML-114571

GCO2D
GCO2C



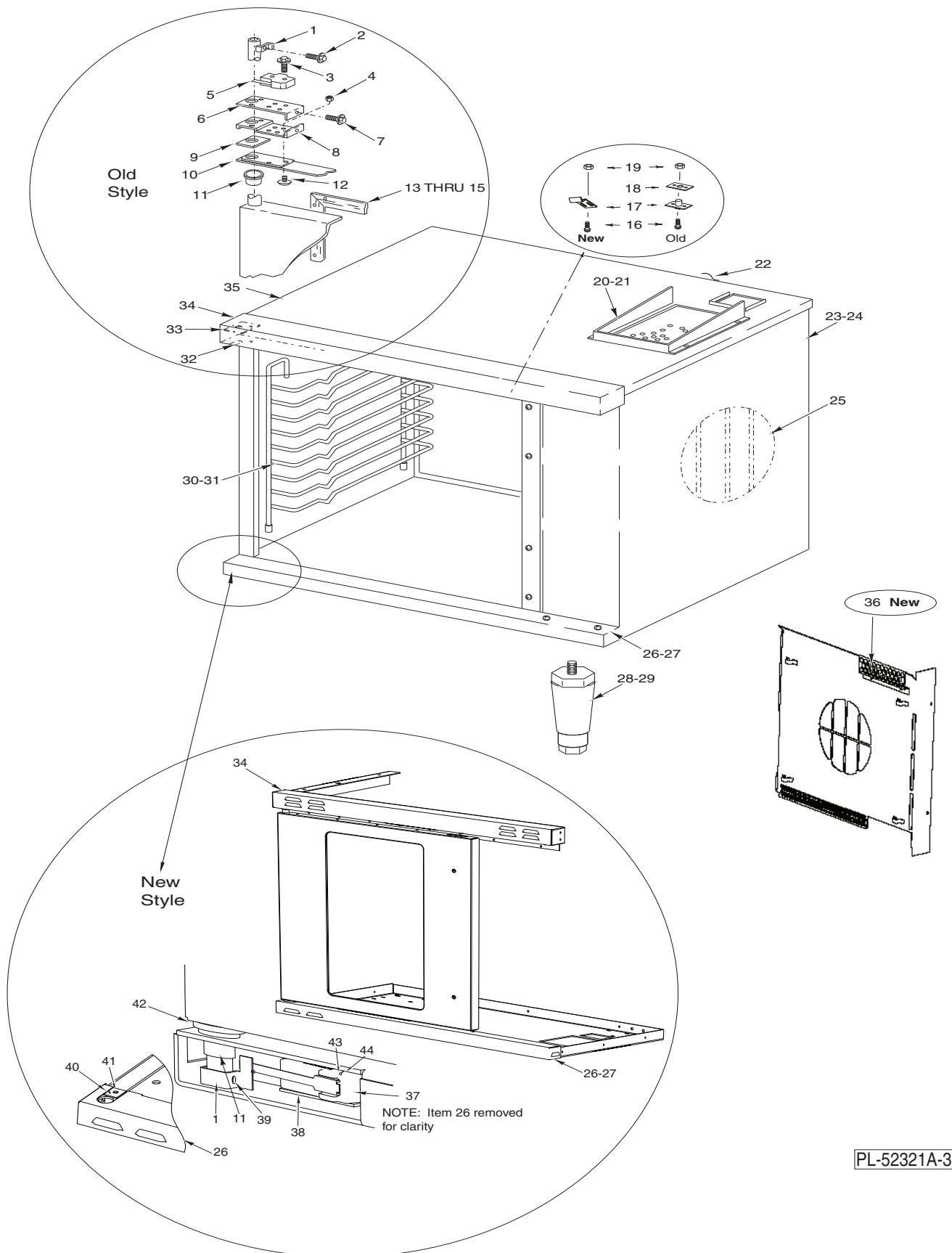
For additional information on Vulcan-Hart Company or to locate an authorized parts and service provider in your area, visit our website at www.vulcanhart.com

VULCAN-HART
DIVISION OF ITW FOOD EQUIPMENT GROUP, LLC
WWW.VULCANHART.COM

P.O. BOX 696, LOUISVILLE, KY 40201-0696
TEL. (800) 814-2028

FORM 30998 Rev. C (Dec. 2008)

HALF SIZE GAS CONVECTION OVENS REPLACEMENT PARTS

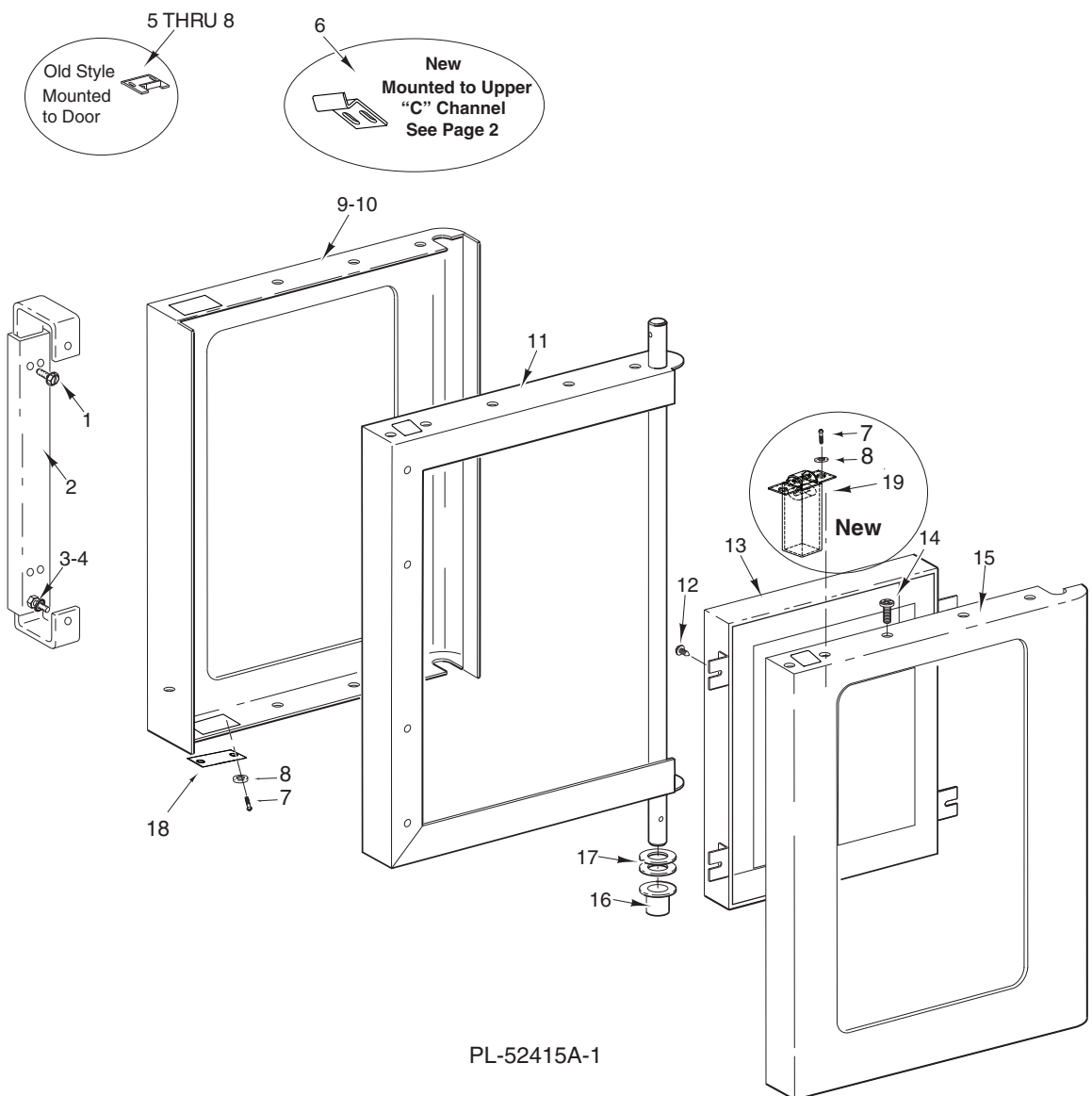


PL-52321A-3

CABINET

CABINET

ILLUS. PL-52321A-3 NO.	PART NO.	NAME OF PART	AMT.
1	00-427855-00001	Striker-Door Switch (Old Style) (Prior to December 2008)	1
	00-499340-00001	Bracket, Shaft, Micro Switch (New Style) (Beginning December 2008)	1
2	SD-036-30	Self-Tapping 8-32 x 1/4 Slotted Hex Washer Hd., Type T	1
3	SD-034-47	Self-Tapping Screw 6-32 x 1 Hex Washer Hd., Type T	2
4	NS-046-52	Nut - 1/4-20 Hex "Keps"	2
5	00-353782-00001	Switch-Door (Prior to August 2001)	1
6	00-353780-00001	Bracket-Switch (Prior to August 2001)	1
7	SD-036-30	Self-Tapping 8-32 x 1/4 Slotted Hex Washer Hd., Type T	1
8	00-353778-00001	Support-Switch	1
9	00-353482-00001	Spacer	1
10	00-353483-00002	Plate-Door (3 Holes)	1
11	00-347080-00002	Bearing - Door Shaft (Old Style)	1
	00-347080-00001	Bearing - Door Shaft (New Style)	1
12	SC-022-40	Mach. Screw 1/4-20 x 3/4 Phil. Flat Hd.	2
13	00-423281-00001	Seal-Door (LH or RH)	2
14	00-423280-00001	Seal-Door (Top & Bottom)	2
15	SD-034-05	Self-Tapping Screw 6-20 x 3/8 Phil. Pan Hd., Type AB	16
16	SC-115-51	Mach. Screw 10-32 x 1/2 Phil. Truss Hd.	2
17	00-499270-00001	Strike Plate (New Style) (Mounted on Upper "C" Channel)	1
	00-347545-00001	Roller Ball Door Latch (Old Style)	1
18	00-423014-000G1	Door Kit (Old Style) (Includes Items 16, 17 (Old Style) and 19)	AR
19	NS-038-03	Lock Nut - SP 10-32	2
20	00-354647-00001	Guard	1
21	SD-034-22	Self-Tapping Screw 10-16 x 5/8 Phil Truss Hd., Type AB	4
22	00-354476-00002	Back (SST)	1
23	00-422715-00002	Panel-Side (RH)(SST)	1
24	00-422724-00002	Panel-Side (LH)(SST)	1
25	00-360863-00001	Baffle-Blower Inner	1
26	00-422714-00001	Cover-Lower (Old Style) (Prior to December 2008)	1
	00-957632-00001	Cover-Lower (New Style) (Beginning December 2008)	1
27	00-422592-00001	Sill Door	1
28	00-342150-00006	Leg Assy.	1
29	00-342150-00007	Leg Assy.	1
30	00-342141-00005	Guide-Rack Assy.	1
31	00-342141-00006	Guide-Rack Assy.	1
32	00-499269-00001	Support, Upper Door (New Style)	1
	00-422590-00001	Support-Door Upper Reversible (Old Style)	1
33	00-422588-00001	Plate-Cover	1
34	00-347593-00001	Cover-Top	1
35	00-422595-00002	Top (SST)	1
36	00-499274-00001	Probe Guard (New)	1
37	00-411496-000F1	Door Switch (August 2001 to Present)	1
38	00-499338-00001	Bracket, Door Switch (New Style) (Beginning December 2008)	1
	00-426854-00001	Switch Mounting Bracket (Old Style) (Prior to December 2008)	1
39	SD-034-52	Screw	1
40	00-353790-00001	Door Stop	1
41	SD-008-27	Screw	1
42	00-343143-00002	Washer	1
43	SC-123-87	Screw	1
44	NS-046-89	6-32 KEPS Nut	1
	00-355344	Channel - Latch (Prior to December 1997)	1
	00-417810-00003	Spring - Compression (Prior to December 1997)	1
	00-411794-00001	Catch - Door (Prior to December 1997)	1

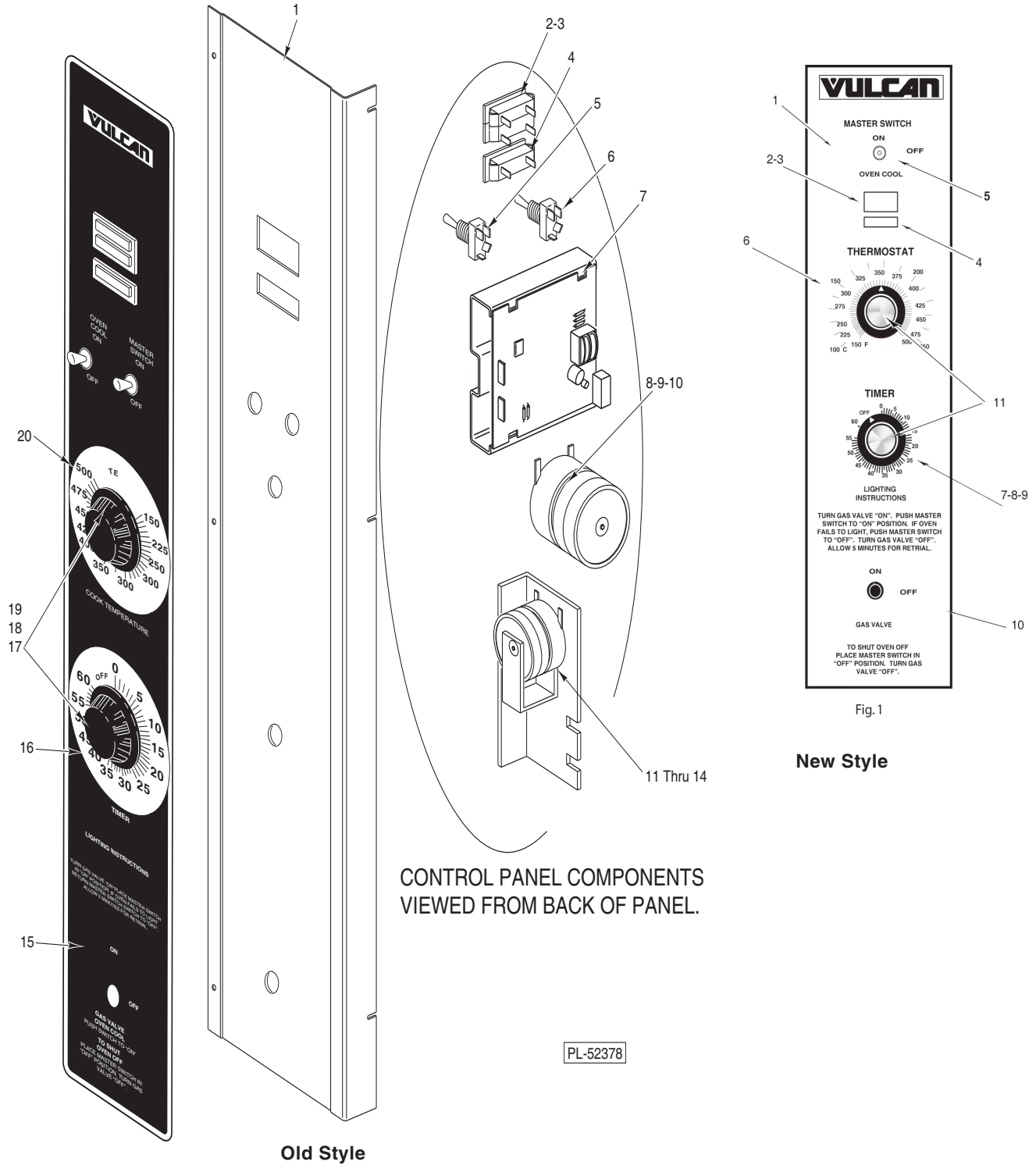


DOOR

DOOR

ILLUS. PL-52415A-1	PART NO.	NAME OF PART	AMT.
1	SC-113-98	Self-Tapping Screw 10-24 x 1/2 Hex Washer Hd., Type AB	4
2	00-357929-00002	Handle	1
3	SC-053-41	Mach. Screw 1/4-20 x 1/2 Truss Hd. SST	2
4	WL-013-14	Lockwasher 1/4 Internal Shakeproof	2
5	00-423014-000G1	Door Kit (Old Style) (Includes Items 6 (Old Style), 7, 8 and 18)	2
6	00-499270-00001	Strike Plate (New Style) (Attaches to Upper "C" Channel Assy.) (See Pg. 2)	1
	00-423847-00001	Strike - Door (Old Style) (Mounted to Door)	2
7	SC-117-73	Screw	4
8	WL-019-35	Lockwasher 10 Int	4
9	00-360887-00001	Panel-Outer Door (W/Window)	1
	00-360887-00002	Panel-Outer Door (W/O Window)	1
10	SD-034-22	Mach. Screw 10-32 x 1/2 Phil. Pan Hd.	20
11	00-359703-000G1	Door Frame Assy.	1
12	SD-034-62	Self-Tapping Screw 10-32 x 1/2 Hex Washer Hd., Type T	4
13	00-358534-00001	Window Assy.	1
14	SD-034-22	Mach. Screw 10-32 x 1/2 Phil. Pan Hd.	7
15	00-360889-000G1	Panel-Inner Door Weldment (W/Window)	1
	00-360888-00002	Panel-Inner Door Weldment (W/O Window)	1
16	00-347080-00002	Bearing - Door Shaft	1
17	00-343143-00001	Washer	4
18	00-499264-00001	Cover, Cutout (New Style)	1
19	00-497586-00001	Roller Latch (New Style) (Mounted to Top of Door)	1
	00-360886-000G1	Door Assy. (Old Style)	1
	00-499305-000G1	Door Assy. (New Style).....	1

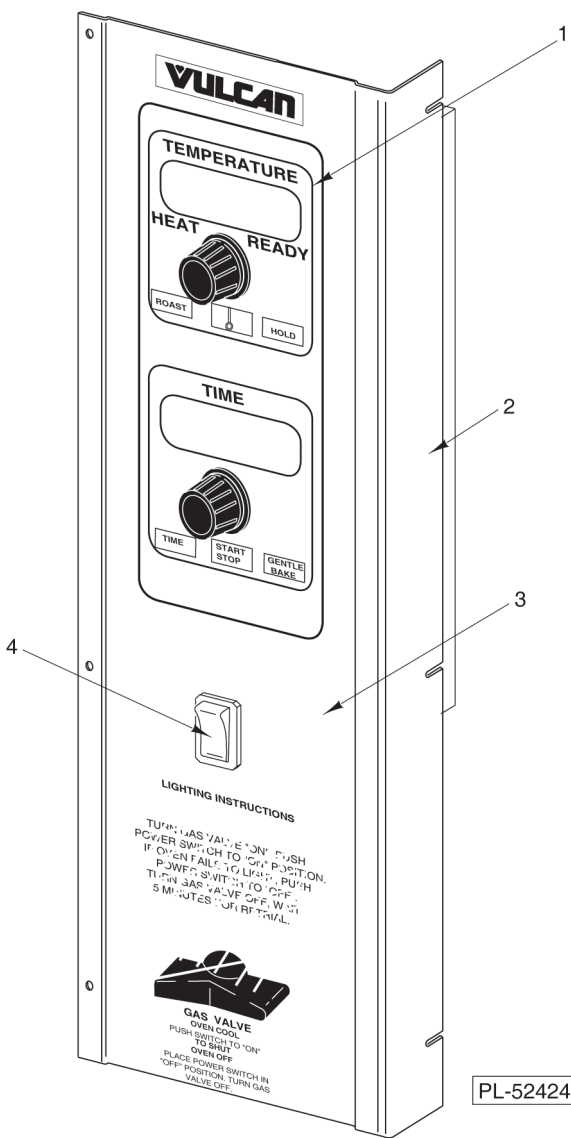
NOTE: When ordering item 9 for an old style oven, 1 of part 423014-G1 is also needed.



CONTROL PANEL (GCO2D)

ILLUS. PL-52378A	PART NO.	NAME OF PART	AMT.
1	00-422559-000G1	Panel-Control (Prior to February 2003)	1
2	00-354575-00001	Light Indicator (On/Heat) (200-240V)	1
3	00-354575-00002	Light - Indicator (On/Heat)(110-120V.)	1
4	00-354575-00004	Light - Indicator (No Ignition)	1
5	00-340324-00006	Switch (D.P.S.T.) (Prior to February 2003)	1
6	00-340324-00009	Switch (D.P.D.T.)	1
7	00-353613-00002	Controller - Temperature	1
8	00-411690-00001	Timer (110-120 V.)(1 Hr.)	1
9	00-411690-00002	Timer (200-240 V.)(1 Hr.)	1
10	00-411690-00005	Timer 120V (1 Hr)(50Hz)	1
11	00-411499-00003	Buzzer (230 V.)	1
12	00-411499-00004	Buzzer (115 V.)	1
13	SD-034-49	Self-Tapping Screw 8-32 x 1/2 Hex Washer Hd., Type T	1
14	WL-014-10	Lockwasher 1/4 Ext. "Shakeproof"	1
15	00-421911-00001	Overlay-Control Panel (Prior to February 2003)	1
16	00-358538-00001	Plate - Dial Timer (Prior to February 2003)	1
17	00-411242-00001	Knob	2
18	SC-114-83	Mach. Screw 6-32 x 1/4 Pan Hd.	2
19	WS-028-20	Washer	2
20	00-358539-00001	Plate - Temperature Dial (Fahrenheit) (Prior to February 2003)	1
	00-353589-00001	Probe	1

ILLUS. Fig. 1	PART NO.	NAME OF PART	AMT.
1	00-428126-00001	Overlay-Control Panel (February 2003 to Present)	1
2	00-354575-00001	Light Indicator (On/Heat) (200-240V)	1
3	00-354575-00002	Light - Indicator (On/Heat)(110-120V.)	1
4	00-354575-00004	Light - Indicator (No Ignition)	1
5	00-340324-00008	Hold Switch	1
6	00-353613-00002	Controller - Temperature	1
7	00-411690-00001	Timer (110-120 V.)(1 Hr.)	1
8	00-411690-00002	Timer (200-240 V.)(1 Hr.)	1
9	00-411690-00005	Timer 120V (1 Hr)(50Hz)	1
10	00-428129-00001	Panel-Control Weldment (February 2003 to Present)	1
11	00-411242-00001	Knob	2
	00-353589-00001	Probe	1



Old Style

PL-52424

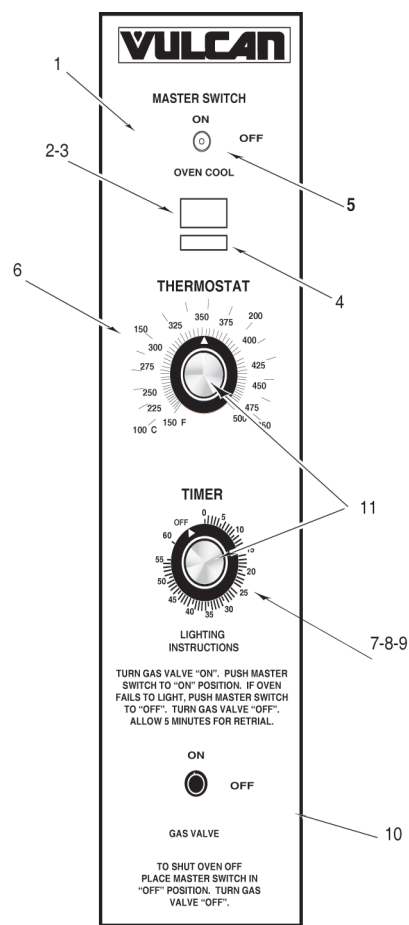
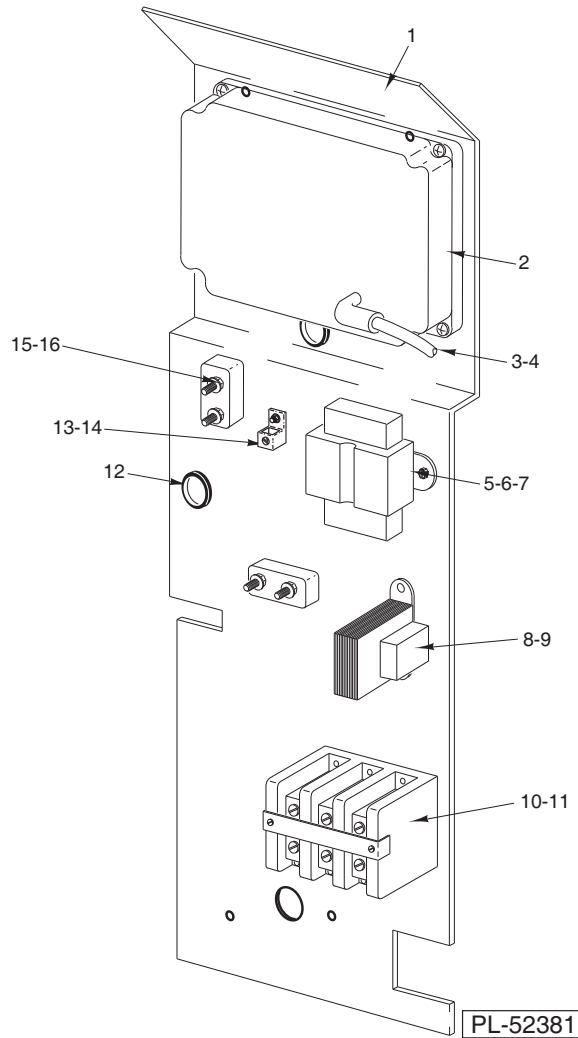


Fig. 1

New Style

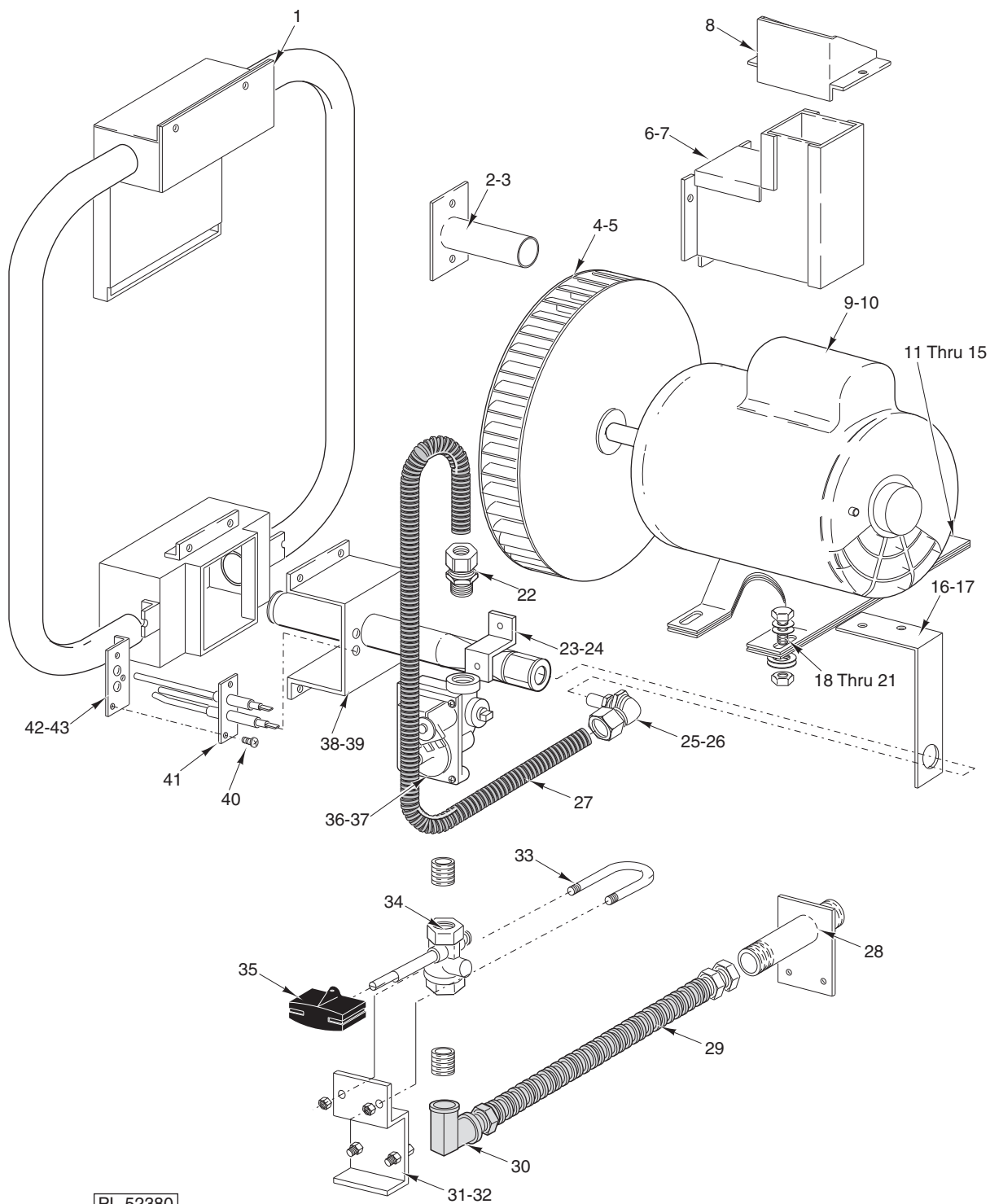
**CONTROL PANEL (GCO2C)
COMPUTERIZED CONTROLS**

ILLUS.	PART NO.	NAME OF PART	AMT.
PL-52424			
1	00-355903-00004	Controller W/Roast, Hold & Gentle Bake (Prior to October 1999)	1
2	00-422922-000G1	Panel-Control (Prior to October 1999)	1
3	00-422587-00001	Overlay (Prior to October 1999)	1
4	00-358628-00001	Switch - Rocker (3 Position)	1
	00-920883-00002	Probe - Thermocouple W/40" Leads (Prior to October 1999)	1
	00-342132-00001	Guard - Thermo	1
Fig. 2			
1	00-354575-00004	Indicator Light (October 1999 to Present)	1
2	00-424846-00001	Controller - Watlow (October 1999 to Present)	1
3	00-358628-00001	Switch - Rocker (3 Position)	1
4	00-426695-00001	Overlay - Watlow Controller (October 1999 to Present)	1
5	00-426687-000G1	Control Panel Weldment (October 1999 to Present)	1
	00-423918-00004	Buzzer - Electric (October 1999 to Present)	1
	00920883-00003	Probe- Watlow	1



COMPONENT PANEL

ILLUS. PL-52381	PART NO.	NAME OF PART	AMT.
1	00-422712-00001	Panel-Component	1
2	00-354447-00001	Controller-Spark Ignitor	1
3	00-355087-00001	Cable-Hi-Voltage	1
4	00-354472-00002	Harness Assy.	1
5	00-411500-00013	Transformer (200-240 V.A.C., 28 V., 20 VA)	1
6	00-411500-00012	Transformer (120 V., A.C., 28 V., 20 VA)	1
7	SD-034-49	Self-Tapping Screw 8-32 x 1/2 Hex Washer Hd., Type T	2
8	00-358629-00001	Transformer 6/12/120VAC(GCO2C) (Prior to November 1999)	1
9	SD-034-49	Self-Tapping Screw 8-32 x 1/2 Hex Washer Hd., Type T	2
10	00-821875-00002	Relay-Solid State 50AMP (GCO2C)	1
11	SD-034-49	Self-Tapping Screw 8-32 x 1/2 Hex Washer Hd., Type T	2
12	FE-016-32	Bushing-Snap (Electrical)	2
13	00-417856-00001	Lug - Grounding (With Set Screw)	1
14	SD-034-49	Self-Tapping Screw 8-32 x 1/2 Hex Washer Hd., Type T	1
15	00-417934-000G1	Porcelain - Block Assy.	2
16	SD-034-49	Self-Tapping Screw 8-32 x 1/2 Hex Washer Hd., Type T	2
	00-405016-00001	Cord - Electric Supply	1



GAS BURNER AND BLOWER

GAS BURNER AND BLOWER

ILLUS. PL-52380	PART NO.	NAME OF PART	AMT.
1	00-422783-000G1	Heat Exchanger Assy.	1
2	00-354431-00001	Flue Assy.	1
3	SD-034-21	Self-Tapping Screw 10-16 x 1/2 Sl. Hex Washer Hd., Type AB	2
4	00-354262-00001	Blower	1
5	SC-114-03	Mach. Screw 10-32 x 1/2 Hex Washer Hd.	2
6	00-354446-00001	Deflector Assy.	1
7	SD-034-21	Self-Tapping Screw 10-16 x 1/2 Sl. Hex Washer Hd., Type AB	2
8	00-354482-00001	Vent Extension	1
9	00-358516-00001	Motor 115V	1
10	00-358516-00002	Motor 208 - 230V	1
11	00-347786-00002	Motor Mount Assy.	1
12	SC-116-84	Cap Screw 5/16-18 x 1 1/8 Hex Hd.	4
13	WS-029-46	Washer	4
14	NS-046-86	Nut Assy. 5/16-18 "KEPS" Hex	4
15	00-358723-00001	Spacer - Steel	1
16	00-354485-00001	Support-Gas Inlet	1
17	SD-034-62	Self-Tapping Screw 10-32 x 1/2 Hex Washer Hd., Type T	2
18	SC-116-84	Cap Screw 5/16-18 x 1 1/8 Hex Hd.	4
19	WS-029-46	Washer	4
20	WS-029-46	Washer	4
21	NS-046-86	Nut Assy. 5/16-18 "KEPS" Hex	4
22	FP-085-68	Fitting-Tube 7/16	1
23	00-422982-00001	Support-Gas Valve	1
24	SD-034-52	Self-Tapping Screw 8-32 x 1 Hex Washer Hd., Type T	2
25	00-348031-00009	Orifice 90 Deg Compression (#42 Drill) (Prior to April 1998)	1
26	00-348031-00005	Orifice 90 Deg Compression (#54 Drill) (Prior to April 1998)	1
27	00-426508-00016	Tube-Flex	1
28	00-354513-00001	Pipe & Support Assy.	1
29	00-356737-00001	Tube - Flex (24"Lg.)	1
30	FP-087-19	Elbow - Reducing 1/2 x 3/8 x 90 Deg. Brass	1
31	00-356735-00001	Support - Valve	1
32	NS-046-52	Nut - 1/4-20 Hex "Keps"	2
33	00-521820	"U" Bolt 1/4-20	1
34	00-407789-00001	Valve - Service	1
35	00-402957-00003	Handle - Gas Cock (Black)	1
36	00-354344-00004	Valve - Gas Control (Natural)	1
37	00-354344-00005	Valve - Gas Control (Propane)	1
38	00-354519-00001	Burner Assy.	1
39	00-422918-00001	Gasket	1
40	SD-034-05	Self-Tapping Screw 6-20 x 3/8 Phil. Pan Hd., Type AB	2
41	00-354444-00001	Lighter Assy.	1
42	00-354496-00001	Support-Lighter	1
43	SD-034-05	Self-Tapping Screw 6-20 x 3/8 Phil. Pan Hd., Type AB	2
	00-348072-00010	Orifice-Hood (#43 Drill)	1
	00-348072-00011	Orifice-Hood (#44 Drill)	1
	00-348072-00016	Orifice-Hood (#55 Drill)	1
	00-348072-00027	Orifice-Hood (#56 Drill)	1
	00-348072-00009	Orifice-Hood (#42) (Nat. Gas) (April 1998 to Present)	1
	00-348072-00015	Orifice-Hood (#54) (L.P. Gas) (April 1998 to Present)	1
	FE-023-56	Bushing (Motor)	1

OPTIONS AND ACCESSORIES

PART NO.	NAME OF PART	AMT.
00-347498-00003	Guide-Rack (LH)	1
00-347498-00004	Guide-Rack (RH)	1
00-347497-00002	Rack	AR
00-348164-00001	Leg	4
00-341655-00006	Caster - 6" High (Swivel)(W/Brake)	2
00-341655-00007	Caster - 6" High (Rigid)	2

RECOMMENDED SPARE PARTS

PART NO.	NAME OF PART	AMT.
00-427855-00001	Door Switch Striker	1
00-411496-000F1	Door Switch	2
00-423281-00001	Seal – Door (LH/RH)	2
00-423280-00001	Seal – Door (Top/Bottom)	2
00-497586-00001	Roller Latch (New Style)	1
00-426854-00001	Switch Mounting Bracket	1
00-357929-00002	Handle	1
00-499270-00001	Door Strike (New Style)	2
00-423014-000G1	Door Kit (Old Style)	2
00-358534-00001	Door Window	1
00-360886-000G1	Door Assy. (Old Style)	1
00-499305-000G1	Door Assy. (New Style)	1
00-354575-00001	Indicator Light ON/Heat 208/240V	2
00-354575-00002	Indicator Light ON/Heat 110/120V	2
00-354575-00004	Indicator Light No Ignition	2
00-340324-00009	Switch (DPDT)	2
00-353613-00002	Temperature Controller	2
00-411690-00001	Timer 110/120V	2
00-411690-00002	Timer 208/240V	2
00-411499-00004	Buzzer 120V	2
00-411499-00003	Buzzer 208/240V	2
00-411242-00001	Knob	2
00-428129-00001	Control Panel Weldment	1
00-428126-00001	Overlay (Control Panel)	1
00-353589-00001	Probe	2
00-340324-00008	Hold Switch	2
00-424846-00001	Controls (Watlow) (C Models)	1
00-426695-00001	Overlay (Watlow Control)	1
00-920883-00003	Probe (C Models)	2
00-426687-000G1	Control Panel Weldment	1
00-423918-00001	Electronic Buzzer	2
00-358628-00001	Rocker Switch 3-Position	2
00-354447-00001	Spark Ignition Controller	2
00-355087-00001	Hi Voltage Cable	2
00-354472-00002	Harness Assy.	2
00-411500-00013	Transformer 208/240V	1
00-411500-00012	Transformer 120V	2
00-821875-00002	Relay (Solid State 50-amp) (C Model)	2
00-417934-000G1	Porcelain Block Assy.	1
00-427783-000G1	Heat Exchanger	1
00-354262-00001	Blower	1
00-358516-00001	Motor Assy. 120V	1
00-358516-00002	Motor Assy. 208/240V	1
00-426508-00016	Flex Tube	1
00-356737-00001	Flex Tube 24"	1
00-407789-00001	Valve (Service)	1
00-402957-00003	Gas Valve Handle (Black)	2
00-354344-00004	Valve (Nat. Gas)	2
00-354344-00005	Valve (L.P. Gas)	2
00-354519-00001	Burner Assy.	2
00-422918-00001	Gasket	2
00-354444-00001	Lighter Assy.	1
00-341655-00006	Caster With Brake	2
00-341656-00007	Caster W/O Brake	2
00-348072-00009	Orifice (Nat. Gas)	2
00-348072-00015	Orifice (L.P. Gas)	2
00-499274-00001	Probe Guard (New)	1

Free Manuals Download Website

<http://myh66.com>

<http://usermanuals.us>

<http://www.somanuals.com>

<http://www.4manuals.cc>

<http://www.manual-lib.com>

<http://www.404manual.com>

<http://www.luxmanual.com>

<http://aubethermostatmanual.com>

Golf course search by state

<http://golfingnear.com>

Email search by domain

<http://emailbydomain.com>

Auto manuals search

<http://auto.somanuals.com>

TV manuals search

<http://tv.somanuals.com>