

# WALKER MOWERS

## ILLUSTRATED PARTS MANUAL

**Model MBK23**



Beginning S/N: 116942  
Effective Date: 04-20-12  
P/N 4000-6

# KEY TO ABBREVIATIONS USED IN THIS MANUAL

<i>Abbreviation</i>	<i>What it Represents</i>
° (Dimension)	Degrees (Angle)
" (Dimension)	inches
(-)	Negative (Polarity)
(+)	Positive (Polarity)
AT	All-Terrain
CCW	Counter-clockwise
Conn	Connector
CW	Clockwise
D	Diameter
DGHS	Deck, Grass Handling System (number refers to size in inches)
DML	Deck, Mulching (number refers to size in inches)
DSD	Deck, Side Discharge (number refers to size in inches)
DU	Garlock (Bearing)
ESNA (Fastener)	Nylon Insert Locknut
FSC	Forward Speed Control
GA	Gauge
gal	gallon
GHS	Grass Handling System
GR (Fastener)	Grade
HP	Horse Power
HT	Heat-Treated
ID	Identification or Inside Diameter
L	Length
LH	Left Hand (orientated with operator on seat)
LP	Low Profile
mm (Dimension)	millimeters
MS (Fastener)	Machine Screw
NS (as part number)	Item is not sold by Walker Manufacturing
OD	Outside Diameter
oz	ounce
PFH (Fastener)	Phillips Flat Head
P/N	Part Number
PPH (Fastener)	Phillips Pan Head
PTH (Fastener)	Phillips Truss Head
PTO	Power Take-Off
QKS	Quick Slide
qt	quart
RH	Right Hand (orientated with operator on seat)
SAE (Fastener)	Society of Automotive Engineers
SBH (Fastener)	Socket Button Head (Bolt)
SD	Side Discharge
SFH (Fastener)	Slotted Flat Head
SHC (Fastener)	Socket Head Cap
SHL (Fastener)	Shoulder (Bolt)
SM (Fastener)	Sheet Metal (Screw)
S/N	Serial Number
Spg	Spring
SQH (Fastener)	Square Head
SS (Fastener)	Stainless Steel
ST (Fastener)	Self-Tapping (Screw)
Term	Terminal
V	Volts

**NOTE:** In some instances, combinations of abbreviations may be used (e.g. PPHMS - Phillips Pan Head Machine Screw).

Beginning S/N 116942

Effective Date 04-20-12

Use only genuine **Walker**<sup>®</sup> replacement parts.

# ILLUSTRATED PARTS LIST

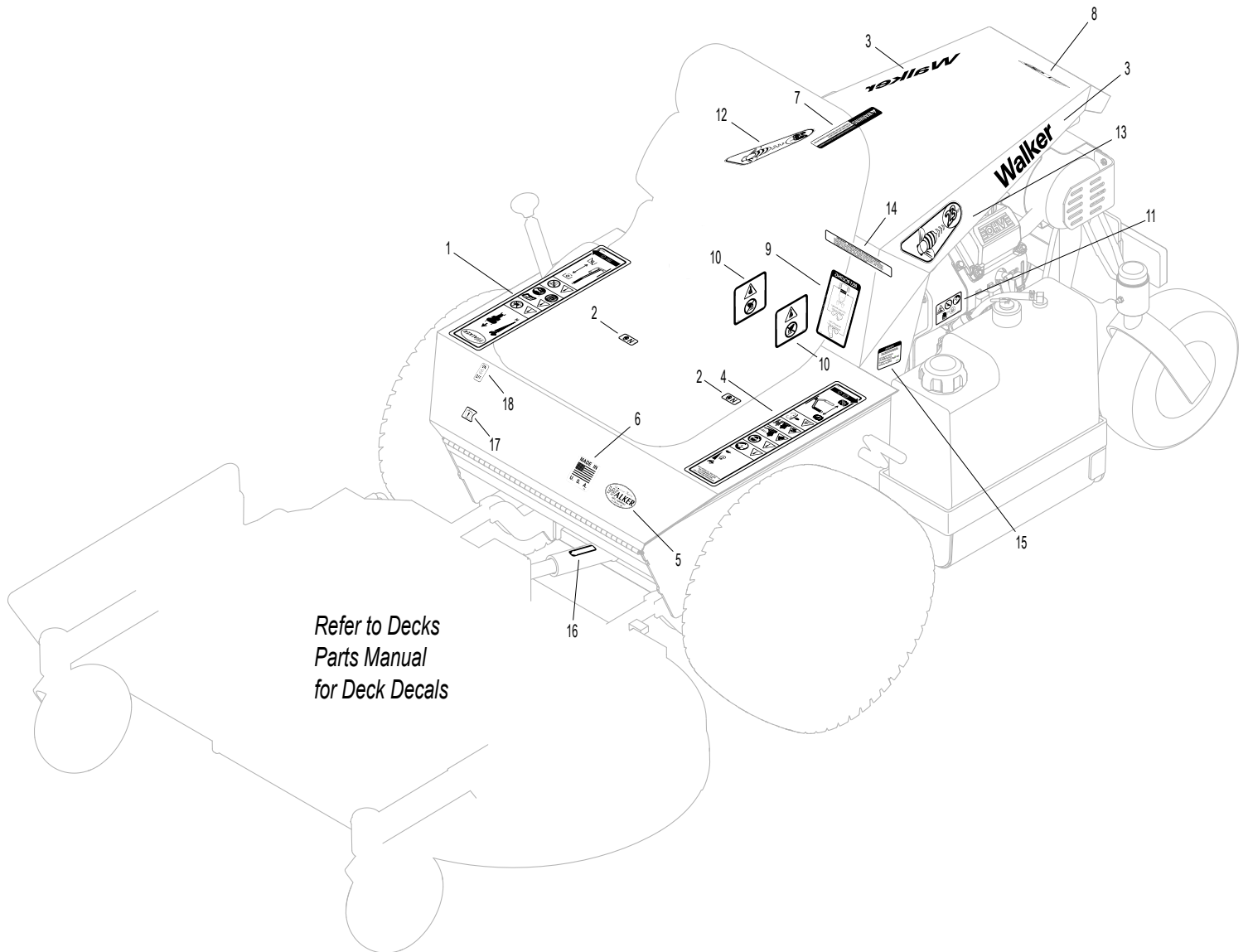
<i>Section of Mower Covered</i>	<i>Page</i>	<i>Section of Mower Covered</i>	<i>Page</i>
<b>Decals</b>		<b>Electrical Components</b>	
Tractor Decals .....	2	Electrical Assembly .....	14
<b>Body / Chassis Assemblies</b>		<b>Options and Kits</b>	
Body / Chassis Assembly .....	4	Light Kit / Hitch Kit / Tail Weight Kit .....	16
<b>Tractor Components</b>		<b>Maintenance</b>	
Main Component Power Transmission .....	6	Lubrication Points .....	18
Engine Group .....	8	Wiring Schematic .....	20
Hydrostatic Ground Drive Assemblies .....	10	<b>Warranty</b>	
Steering Control Assemblies .....	12	Limited Warranty .....	21

# TRACTOR DECALS

ITEM NO.	PART NO.	DESCRIPTION	LOCATION	NO. REQ'D SD
<b>Walker Product and Operation Decals</b>				
1	8600-26	RH Fender	Body, RH Side Near Seat	1
2	9804-1	Axle Lockout	Chassis	2
3	5800-6	Decal, Walker 6-3/4"	Rear Body (one on each side)	2
4	8600-25	LH Fender	Body, LH Side Near Seat	1
5	5803	Walker Manufacturing Logo	Body	1
6	5856	Made In USA	Body	1
<b>Danger Decals Warning Decals Caution Decals</b>				
7	5844-2	Warning, Electric Components	Battery Cover	1
8	8600-5	Caution, Engine Exhaust	Rear Body	1
9	4107-10	Decal, Belt Routing	Rear Body, Underside	1
10	8600-2	Decal, Danger	Flex Coupling Guard (one on each side)	2
11	8600-12	Danger, Engine Exhaust	Engine	1
<b>Maintenance Decals</b>				
12	4105-4	Decal / RH, 23HP	Rear Body, RH Side	1
13	4105-3	Decal / LH, 23HP	Rear Body, LH Side	1
14	5855	Important, Engine Cooling	Engine	1
15	5082-5	Fuel Recommendations	Rear Body, LH Side	1
16	6875	PTO Alignment Arrow	Universal Joint Tube Assembly	1
17	5802-3	Engine Service Light	Body	1
<b>Option Decals (applied only to units with corresponding Options installed)</b>				
18	5877	Lights, On-Off	Body	1

**NOTE:** All parts requiring decals are shipped with decals applied.

# TRACTOR DECALS



# BODY / CHASSIS ASSEMBLY

ITEM NO.	PART NO.	DESCRIPTION	NO. REQ'D	ITEM NO.	PART NO.	DESCRIPTION	NO. REQ'D
<b>Seat Assembly</b>				<b>Deck Support Arm &amp; Hitch Assemblies</b>			
1	5103	Seat	1	47	4300-13	Deck Arm Support Mount	1
2	7203	Seat Spring Plate	1	48	6840-1	Support Arm Bushing (2-1/16)	2
3	7223-1	Compression Spring	2	49	4431-1	Deck Support Arm, LH (Includes Item # 36)	1
4	7845	Rubber Bumper (1.375 x .63)	2	50	5775-2	Hitch Pin (#6)	2
5	5841	Retainer Washer (3/8 x 1-1/4)	2	51	4430-1	Deck Support Arm, RH (Includes Item # 36)	1
6	7434	Washer (3/8 x 1-1/4 x 1/4)	2	<b>Tilt-Up Latch Assembly**</b>			
7	5841-1	Retainer Washer	2	52	5847	Plastic Tip	1
8	7440-5	Shock Mount (1-1/4 x 3/4)	2	53	5744-20	Spring Arm, Tilt-Up Latch	1
<b>Body Assembly</b>				54	5744-10	Spring Pivot Bushing	1
9	4105-5	Rear Body (Includes Item # 10)	1	55	5744-15	Compression Spring (3/8 x 5/8)	1
10	4190-2	Insulation Foam Pad	1	56	5744-13	Mount Angle, LH	1
11	4100-3	Front Body	1	57	5744-12	Hook, Tilt-Up Latch	1
12	5989-4	Dome Plug (3/8)	2	58	5744-14	Mount Angle, RH	1
13	5989-3	Dome Plug (5/16)	2	<b>Fasteners</b>			
14	4102-1	Body Guide, Upper	1	F002	10-24 Keps Nut		8
15	5845	Rubber Bumper (1.50 x 1.25)	2	F004	1/4-20 Keps Nut		15
16	5180	Edge Molding / Lever Opening	2	F005	1/4-20 ESNA Nut		1
17	4504-3	Hinge (19")	1	F009	5/16-18 Whiz Locknut		17
18	5989-5	Dome Plug (7/16)	1	F013	3/8-16 Whiz Locknut		2
19	7834-3	Wire Saddle (3 Wires)	3	F020	5/16-18 ESNA Nut		1
<b>Chassis Assembly</b>				F025	10-24 x 3/8 PPHMS		6
20	4010-8	Precleaner / Battery Mount	1	F028	10-24 x 3/4 PPHMS		1
21	2046-1	Gas Tank Mount, LH	1	F029	1/4-20 x 1/2 Hex Bolt		4
22	4215-7	Steering Dampener Mount	1	F034	5/16-18 x 3/4 Hex Bolt		10
23	4301-5	Chassis Frame / MBK	1	F038	3/8-16 x 1 Hex Bolt		1
24	4102-2	Body Guide, Lower	1	F051	3/8 SAE Washer		1
25	7222	Extension Spring (1/4 x 3)	1	F093	5/16-18 x 1 Hex Bolt		2
26	7854	Plastic Tip, Red	1	F116	1/4-20 x 1-1/4 Hex Bolt		1
27	7383-1	Body Latch Hook	1	F120	AN960416 Washer		1
28	4145	Body Support Rod	1	F127	1/16 x 1/2 Cotter Pin		1
29	4145-1	Spring Clip	1	F200	7/16-20 x 3 Grade 8 Bolt		2
30	5223	Extension Spring (1/4 x 5-1/2)	1	F218	7/16 Split Lock Washer		4
<b>Spread Tail Wheel Assembly</b>				F219	7/16-14 x 1-1/4 Hex Bolt		4
31	4401-4	Washer (1-3/4 x 3/8 x 1/4 Thk)	1	F227	3/8 x 1-1/4 x 1/8 Washer		2
32	4301-2	Fiberglide Thrust Washer	2	F246	1/4-20 x 1/2 PTHMS		8
33	4301-3	Fiberglide Bearing	2	F257	3/8 x 1-11/16 Shoulder Bolt		2
34	5830-3	Grease Fitting (45 Deg.)	1	F278	3/8 Split Lock Washer		1
35	4301-1	Tail Wheel Pivot	1	F341	Coil Roll Pin (7/64 x 9/16)		1
		(Includes Items # 33, 34 & 36)		F342	5/16 Conical Washer		2
36	5830	Grease Fitting	4	F344	3/4-16 Slotted Hex Nut		2
37	8769-8	Dust Cap, Deck Caster	2	F347	3/4 SAE Washer		2
38	8769-6	Bearing Cone (1" ID)	4	F348	1/8 x 1-1/2 Cotter Pin		2
39	8769-5	Bearing Cup (2 x 1-5/8)	4	F381	1/4-20 Hex Nut		1
40	8769-7	Seal	2	F388	3/8-16 x 2-1/2 Hex Bolt		2
41	8765-11	Caster Wheel Fork	2	F430	7/16-20 ESNA Nut		2
42	8767	Axle, Caster Wheel (5-1/8)	2	F475	1/4-20 x 1 PFH Screw		1
43	8037-1	Seal, Outer (1-3/4 x 1-1/8)	4	F477	1/4-20 x 5/8 Carriage Bolt		2
44	8037	Bearing Cone (3/4 ID)	4	* Service Part Only			
45	8768	Caster Wheel, Pneumatic (11 x 4.00-5)	2	** Complete Tilt-Up Latch Assembly Kit available by ordering kit # 5747.			
	8768-3	Tire, Pneumatic (11 x 4.00-5)	*				
	8768-5	Caster Wheel (5 x 3)	*				
46	8766	Axle Nut (3/4-16)	2				

Beginning S/N 116942

Effective Date 04-20-12

Use only genuine Walker® replacement parts.



# MAIN COMPONENT POWER TRANSMISSION

ITEM NO.	PART NO.	DESCRIPTION	NO. REQ'D	ITEM NO.	PART NO.	DESCRIPTION	NO. REQ'D
<b>PTO Drive Assembly</b>				<b>Fasteners</b>			
1	4850	Handle Grip, Black	1	F004		1/4-20 Keps Nut	6
2	2358-12	Fiberglide Bushing	1	F005		1/4-20 ESNA Nut	2
3	7201-2	Fiberglide Bearing 1/2"	1	F008		5/16-24 Keps Nut	1
4	4358-2	Clutch Lever (Includes Items # 1 & 5)	1	F009		5/16-18 Whiz Locknut	17
5	5830	Grease Fitting	4	F010		5/16-24 ESNA Nut	1
6	5103-2	Pivot Bushing (5/16 ID)	2	F012		3/8-16 Keps Nut	3
7	2358-6	5/16-18 x 1-3/4 Stud	2	F013		3/8-16 Whiz Locknut	1
8	4358-11	Clutch Pivot Plate	1	F024		5/16-24 Jam Nut	1
9	7775-6	Wire Lock Pin (2-1/2")	3	F029		1/4-20 x 1/2 Hex Bolt	1
10	4302	Right Hand Shoe	1	F031		1/4-20 x 5/8 Hex Bolt	11
11	4302-5	Upper Shoe, LH	1	F034		5/16-18 x 3/4 Hex Bolt	5
12	4302-1	Left Hand Shoe	1	F035		5/16-18 x 1-1/4 Hex Bolt	5
13	2302-6	Shoe Mount, LH	1	F040		3/8-16 x 1-1/2 Hex Bolt	1
14	4302-2	Shoe Mount	2	F041		3/8-16 x 1-3/4 Hex Bolt	2
15	4325-11	Idler Mount	1	F051		3/8 SAE Washer	2
16	4236-3	PTO Drive Pulley (5/AA)	1	F058		1/4 Wave Spring Washer	6
17	4302-4	PTO Shoe	1	F060		AN960516 Washer	2
18	7775-7	Wire Lock Pin (3")	1	F061		1/4 Star Lock Washer	1
19	7275-9	Quick Coupler Installation Tool	1	F067		3/16 x 3/16 x 1 Key	1
20	7275-16	Universal Joint Tube Assembly / Spline	1	F069		3/32 x 1/2 Cotter Pin	1
21	4274-12	PTO Drive Shaft Assembly / Spline	1	F093		5/16-18 x 1 Hex Bolt	1
22	4358-7	Clutch / Pivot Stop	1	F104		1/4-20 x 3/4 PFH Bolt	1
23	7201-3	Fiberglide Bearing	2	F120		AN960416 Washer	8
24	7201-8	Inner Race (4")	1	F149		1/4 x 1/4 x 1-1/2 Key	1
25	4359	Clutch Engagement (Includes Item # 5)	1	F178		1/4 x 1 Fender Washer	1
26	4359-2	Brake Band Link / Rear	1	F183		.312 x .700 x .074 Washer	2
27	8304	Brake Band (14-1/2)	1	F211		1/4-20 x 7/8 Hex Bolt	2
28	4359-1	Brake Band Link / Front	1	F290		3/8-16 x 5 Hex Bolt	1
29	7523-2	Clevis Pin W/Hole (1/4 x 5/8)	1	F298		3/8-24 Jam Nut	1
30	4411-2	Drive Shaft	1	F325		1/4-20 x 3 Hex Bolt	2
31	4245-1	Idler Pulley (4/Flat)	2	F350		1/4-20 LP Nylock	7
32	4230-1	Engine/PTO Belt / Matched Set	1	F381		1/4-20 Hex Nut	1
33	4236-4	Idler Pulley (4/AA)	1	F435		1/4 x 1/4 x 1-1/4 Key	1
34	5214-2	Ball Joint (5/16-24) (Nylon Lined)	1	F449		Washer 1/2 x 1-5/8 x 1/4	1
35	5226-1	Spring (3/4 x 2-1/2)	1	F451		1/2-20 Nylon Locknut	1
36	7380	Knuckle Joint	1	F484		Washer .370 ID x 1.0 OD x .120	3
37	4303-7	Clutch Actuator Bolt (5/16)	1				
38	7377	Plastic Washer (1 x .438 x .025)	2				
39	7378	Pivot Bearing (7/16 x 9/16)	1				
40	4325-1	Clutch Arm	1				
41	5221	Extension Spring (3/4 x 4)	1				
42	5214-13	Ball Joint (3/8)	1				
43	2358-11	Clutch Actuator	1				

Beginning S/N 116942

Effective Date 04-20-12

Use only genuine **Walker®** replacement parts.





# ENGINE GROUP

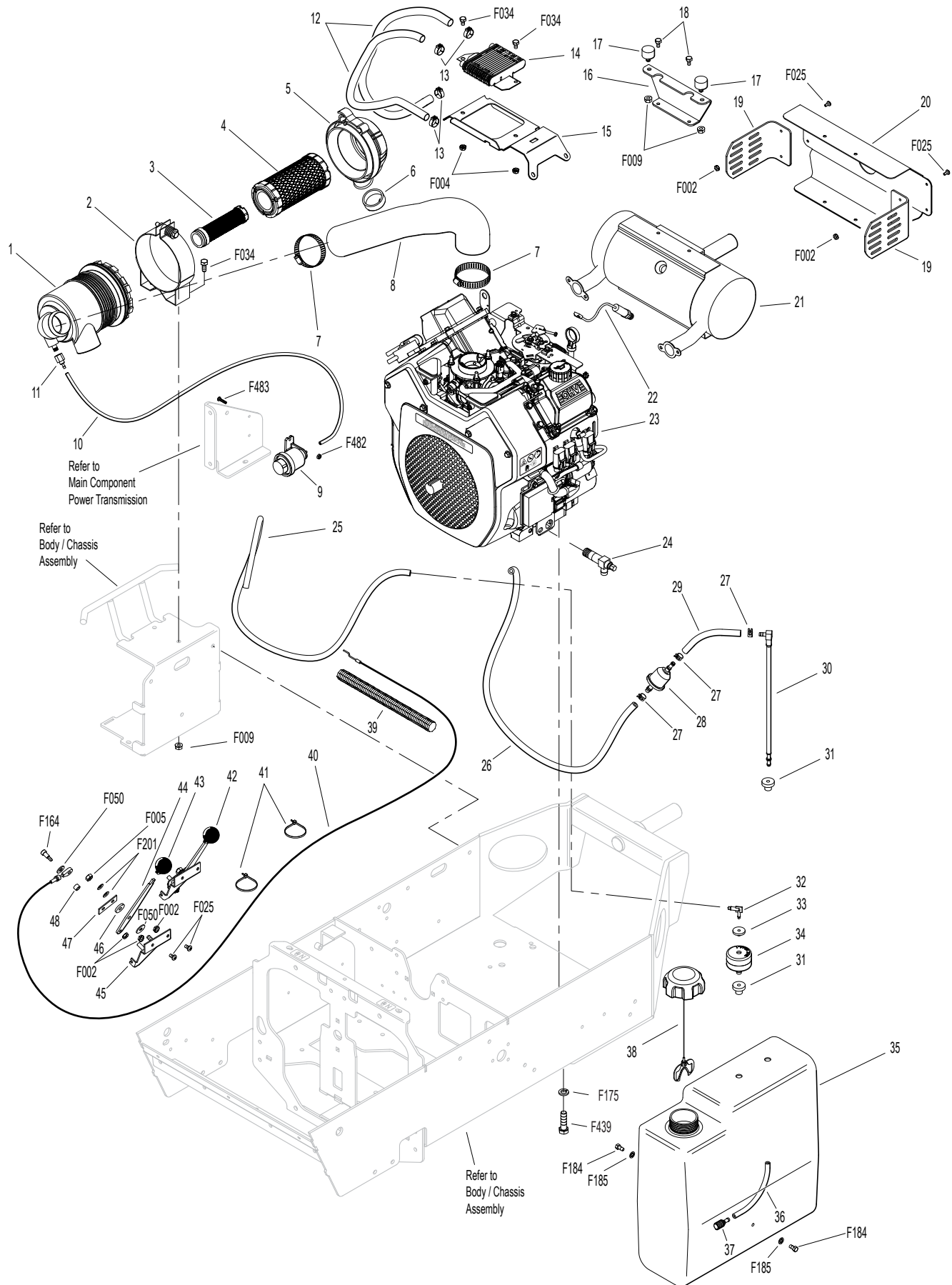
ITEM NO.	PART NO.	DESCRIPTION	NO. REQ'D	ITEM NO.	PART NO.	DESCRIPTION	NO. REQ'D
<b>Precleaner Assembly</b>				32	8043-7	Elbow	1
1	2090-21	Air Cleaner (Includes Items # 2-6 & 9)	1	33	8043-5	Grommet	1
2	2088-1	Air Cleaner Band	1	34	8046-1	Diffuser	1
3	2090-3	Safety Filter Insert	1	35	8046-3	Fuel Tank, 4.7 Gallon (Includes Item # 31)	1
4	2090-1	Air Cleaner Cartridge	1	36	5086-7	Hose (1/4 x 6)	1
5	2088-2	Air Cleaner Cap	1	37	5020-2	Fuel Filter, In Tank	1
6	2090-2	Vacuator Valve	1	38	5082-4	2-1/4 Ratchet Fuel Cap (EPA)	1
7	6029	Hose Clamp (2-1/2)	2	<b>Throttle Assembly</b>			
8	4012	Air Intake Hose	1	39	8123-3	Insultherm (3/8 x 10)	1
9	5091-6	Air Flow Indicator W/Bracket	1	40	4108-3	Control Cable (64")	1
10	M258	Vacuum Hose (13")	1**	41	5975-3	Cable Tie (50# x 7")	2
11	5091-5	1/8 Pipe Thread Female W/Barb	1	42	7108	Control Assembly	1
<b>Remote Oil Cooler Assembly</b>				42	4108-2	Throttle Control and Cable Assembly (Includes Item # 43)	*
12	NS	Oil Cooler Hose (Kohler 24326127)	2	43	5108-5	Throttle Control Knob, Red	1
13	NS	Clamp (Kohler 25 237 02-S)	4	44	5108-1	Control Lever, Throttle	1
14	NS	Oil Cooler (Kohler 24 594 12-S)	1	45	5108-8	Control Bracket	1
15	4016	Oil Cooler Mount	1	46	5108-10	Friction Washer (.125)	1
<b>Engine Assembly</b>				47	5108-7	Control Lock Tab	1
16	4104-3	Body Support	1	48	5172	Bearing, Delrin (.255 ID x .379 OD x .250)	1
17	4845	Rubber Bumper (1.0 x .625)	2	<b>Fasteners</b>			
18	NS	Bolt (Kohler)	2	F002	10-24 Keps Nut		7
19	2013-4	Shield Side	2	F004	1/4-20 Keps Nut		2
20	2013-3	Muffler Heat Shield	1	F005	1/4-20 ESNA Nut		1
21	NS	Muffler	1	F009	5/16-18 Whiz Locknut		4
22	NS	Oxygen Sensor (Kohler 25 418 07-S)	1	F025	10-24 x 3/8 PPHMS		6
23	NS	23 HP Engine (Kohler)	1	F034	5/16-18 x 3/4 Hex Bolt		4
24	4010-1	Drain Valve 3/8-18 NPTF	1	F050	1/4 SAE Washer		2
<b>Fuel Tank Assembly</b>				F164	10-24 x 1/4 x 3/8 SHL Bolt		1
25	M113	Fuel Line (3/16 x 38")	1**	F175	1/2 Split Lock Washer		4
26	M246	Fuel Line (1/4 x 38")	1**	F184	1/4-20 x 1/2 Hex Bolt, SS		2
27	5879-3	Hose Clamp (1/2)	3	F185	1/4 Internal Star Lock Washer		2
28	NS	Fuel Filter (Kohler)	1	F201	1/4 Belleville Spring Washer		2
29	M246	Fuel Line (1/4 x 5")	1**	F439	1/2-13 x 1-3/4 Hex Bolt		4
30	5083-8	Tank Tube (13")	1	F482	8-32 Nylock Nut		2
31	5083-1	Bushing, Rubber (Fits 5083)	2	F483	8-32 x 3/4 PPHMS		2
				* Service Part Only			
				** Required hose specifications: M113 - 3/16" ID fuel/oil/vapor hose (Gates 4219-0093 or equivalent) M246 - 1/4" ID low permeation (<15g/m^2/day) fuel hose (Parker 38904 or equivalent) M258 - 7/64" ID automotive vacuum hose			

Beginning S/N 116942

Effective Date 04-20-12

Use only genuine Walker® replacement parts.

# ENGINE GROUP



Beginning S/N 116942  
 Effective Date 04-20-12  
 Use only genuine **Walker**® replacement parts.

# HYDROSTATIC GROUND DRIVE ASSEMBLIES

ITEM NO.	PART NO.	DESCRIPTION	NO. REQ'D	ITEM NO.	PART NO.	DESCRIPTION	NO. REQ'D
<b>Ground Drive Assemblies</b>				40	4406-5	Parking Brake Mount	1
1	4025-6	Bottle Mount	1	41	4401-8	Parking Brake Pivot	1
2	2351-3	Flex Coupler Half (Includes Items # F171 & F435)	2	42	4406-13	Parking Brake Actuator	1
3	4351-3	Inner Flex Coupler Half / MB (1/4)	2	43	5665-1	Compression Spring (2-1/2)	2
4	2351-1	Rubber Iso Coupler	6	44	4407	Parking Brake Link	1
5	4010-10	Flex Coupling Guard	1	45	5222	Extension Spring (1/2 x 3-1/4)	1
6	4349-6	Flanged Bearing (1") (Prior to S/N 118371)	1	46	5463	Steering Lever Actuator	2
	4349-11	Flanged Bearing (1") (Reversed Bearing) (Beginning S/N 118371)	1	<b>Wheel Assembly</b>			
7	4025-10	Hose Channel	1	47	5075-1	LP Wheel & Tire Assembly (18 x 8.50-10)	2
8	5975-3	Cable Tie (50# x 7")	4		5075-2	LP Tire (18 x 8.50-10)	*
9	5270	Bearing W/Collar (1")	1		5075-5	LP Wheel (10 x 7)	*
10	4411-1	Idler Bearing Housing	1		5033-6	Wheel & Tire (18 x 7.00-8)	**
11	4245	Idler Pulley (3/A)	1		5030-6	Standard Tire (18 x 7.00-8)	*
12	4240-1	Drive Pulley (Includes Items # F067 & F171)	1		5031-2	Standard Wheel (8 x 5.00-5)	*
					5030-4	Tire Tube (18 x 8.50-8)	*
13	5221-5	Dampener Hose	1	<b>Fasteners</b>			
14	5221	Extension Spring (3/4 x 4)	1	F004	1/4-20 Keps Nut		13
15	4248	Ground Drive Belt	1	F009	5/16-18 Whiz Locknut		12
16	2028-3	Hydro Lockout Rod, LH	1	F012	3/8-16 Keps Nut		1
17	4407-4	Bow Tie Cotter Pin	5	F013	3/8-16 Whiz Locknut		6
18	4026-9	Pulley (52364)	2	F015	1/2-20 Wheel Lug Nut		8
19	4349-4	Flanged Bearing (3/4") (Prior to S/N 118371)	1	F020	5/16-18 ESNA Nut		5
	4349-10	Flanged Bearing (3/4") (Beginning S/N 118371)	1	F029	1/4-20 x 1/2 Hex Bolt		8
20	9430-1	Spacer Tube	4	F031	1/4-20 x 5/8 Hex Bolt		5
21	2025-20	Hydro-Gear W/Charge Pump, LH	1	F034	5/16-18 x 3/4 Hex Bolt		16
22	2026-20	Hydro-Gear W/Charge Pump, RH	1	F035	5/16-18 x 1-1/4 Hex Bolt		3
23	2025-17	Straight Thread Hose Fit	2	F038	3/8-16 x 1 Hex Bolt		4
24	5879-4	Hose Clamp (7/16)	2	F040	3/8-16 x 1-1/2 Hex Bolt		1
25	2028-4	Hydro Lockout Rod, RH	1	F042	3/8-16 x 2-1/4 Hex Bolt		2
26	8015	Hose (1/4 x 14-1/2)	2	F050	1/4 SAE Washer		2
27	5879-3	Hose Clamp (1/2)	2	F051	3/8 SAE Washer		1
28	4024-1	Oil Expansion Reservoir Elbow	2	F052	5/16 Ext. Star Lock Washer		12
29	2010-9	Hose Reducer 1/2-1/4	2	F171	5/16-18 x 3/8 Set Screw		4
30	5879-8	Hose Clamp (13/16)	4	F173	5/16-18 x 3/4 Carriage Bolt		4
31	5087-1	Hose (1/2 x 1-3/4)	2	F182	1/4 x 5/8 x 1/8 Washer		4
32	2025-1	Oil Expansion Reservoir (71327)	1	F183	.312 x .700 x .074 Washer		20
<b>Parking Brake Assembly</b>				F336	3/8-16 Jam Nut		1
33	4406	Parking Brake Lever (Includes Items # 34 & 35)	1	F350	1/4-20 LP Nylock		2
34	7406-1	Handle Grip, Red	1	F369	5/16-18 x 4-1/2 Hex Bolt		2
35	5830-3	Grease Fitting (45 Deg.)	1	F434	5/16-18 x 3-1/2 Hex Bolt		4
36	8655-4	Clevis Pin (5/16 x 3/4)	2	F435	1/4 x 1/4 x 1-1/4 Key		2
37	4406-12	Brake Actuator Pull	1	F467	2" Internal Snap Ring		1
38	2280	Clevis (3/8)	1	F481	Washer 5/16 x 7/8 x .125		3
39	2406-4	Clevis Pin (5/16 x 1-1/8)	1	* Service Part Only			
				** May be ordered as a factory-installed option or for dealer installation. Narrow Drive Tires are used when installing a 36" Deck. Contact your Walker dealer.			

Beginning S/N 116942

Effective Date 04-20-12

Use only genuine **Walker**® replacement parts.



# STEERING CONTROL ASSEMBLIES

ITEM NO.	PART NO.	DESCRIPTION	NO. REQ'D	ITEM NO.	PART NO.	DESCRIPTION	NO. REQ'D
<b>Steering Lever &amp; FSC Assemblies</b>				<b>Transmission Spring Assemblies</b>			
1	5862	FSC Knob	1	38	4199-1	Transmission Spring Assembly (Includes Items # 39-45, F320 & F352)	*
2	4170	FSC Lever Assembly (Includes Item # 4)	*	39	4552	Ball Joint (1/4-28) (Includes Item # F003)	2
3	2170-1	Step Washer	1	40	5194	Plunger Sleeve	2
4	5830	Grease Fitting	1	41	5192-2	Spring Plunger (Female)	2
5	5214-5	Ball Joint (5/16-24/LH) W/O Stud	1	42	5193	Washer (3/4 x 1 x .085)	2
6	4173	Control Rod (5-3/8)	1	43	6191	Spring Slide (4-3/4)	2
7	5214-4	Ball Joint (5/16-24) W/O Stud	1	44	5195-3	Compress Spring (1 x 5-1/16)	2
8	4219	Extension Spring (3/4 x 6-1/2)	1	45	6196	Spring Slide Cap	2
9	4451-4	FSC Friction Actuator	1	<b>Fasteners</b>			
10	2463	Actuator Washer	2		F003	1/4-28 Hex Nut	2
11	7201-2	Fiberglide Bearing (1/2")	2		F004	1/4-20 Keps Nut	4
12	2215-5	Steering Lever Dampener	2		F005	1/4-20 ESNA Nut	2
13	5146	10mm Ball Stud	4		F008	5/16-24 Keps Nut	2
14	5830-5	Grease Fitting (45 Degree) M6 x 1	1		F009	5/16-18 Whiz Locknut	6
15	5665-1	Compression Spring (2-1/2)	2		F010	5/16-24 ESNA Nut	2
16	4213-2	Control Rod (6-1/2)	2		F024	5/16-24 Jam Nut	3
17	5214-2	Ball Joint (5/16-24) (Nylon Lined)	2		F029	1/4-20 x 1/2 Hex Bolt	2
18	2212-3	Seal Retainer	2		F035	5/16-18 x 1-1/4 Hex Bolt	1
19	2212	Transmission Control Arm Stop	2		F044	5/16-24 x 3/4 Hex Bolt	2
20	2212-2	Transmission Control Arm, RH	1		F059	3/8 Wave Spring Washer	1
21	2212-1	Transmission Control Arm, LH	1		F093	5/16-18 x 1 Hex Bolt	2
22	5830-3	Grease Fitting (45 Degree)	1		F146	1/4-20 Jam Nut	2
23	4451-1	Steering Pivot Shaft W/Stop	1		F167	5/16-18 Hex Nut	1
24	9704-3	Pivot Rod Bushing / Plastic	2		F179	1/4-20 x 1 Hex Bolt	2
25	4142-2	FSC Friction Washer (1-1/2 x 1-1/32 x 1/16)	1		F182	1/4 x 5/8 x 1/8 Washer	2
26	5141	FSC Friction Washer (1-1/2 x 3/8 x 1/16)	1		F183	.312 x .700 x .074 Washer	6
27	4142-1	FSC Cam	1		F188	1/4-20 Self-Locking Nut	4
28	8201-3	Fiberglide Bearing	4		F192	3/8-24 Self-Locking Nut	1
29	4452-6	Steering Pivot (1/4-20 x 1-5/8)	2		F198	.250 x .625 x .040 Washer, SS	2
30	4451-7	Speed Control Actuator, LH (Includes Items # 22 & 28)	1		F211	1/4-20 x 7/8 Hex Bolt	1
31	5463-2	Steering Lever Actuator	2		F312	3/8 x 3/8 Shoulder Bolt	1
32	5222	Extension Spring (1/2 x 3-1/4)	2		F320	1/8 x 3/4 Split Spring Pin	2
33	5450	D-Clip	2		F345	1/4-20 x .770 Knurled Bolt	4
34	4452-4	Steering Lever Tube W/Tab	2		F352	5/32 x 1 Heavy Duty Roll Pin	2
35	5453-10	Steering Lever Handle / Adjustable (Includes Items # 36 & F345)	2		F373	5/16-24 Hex Nut, LH	1
36	5850-2	Handle Grip, Foam (5-1/2)	2		F385	1/4 x 1-1/4 Roll Pin	1
37	4451-8	Speed Control Actuator, RH (Includes Items # 14 & 28)	1		F386	5/16-18 x 1-1/2 x 3/8 Shoulder Bolt	1
					F391	1/4-20 x 1/2 Set Screw, SS	2
					F407	Belleville Washer 3/8 x 1.187 SS	1
					F427	5/16-18 Flange Nut	1

\* Service Part Only

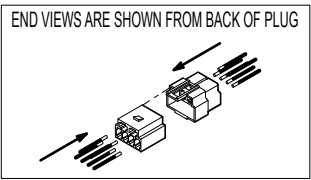
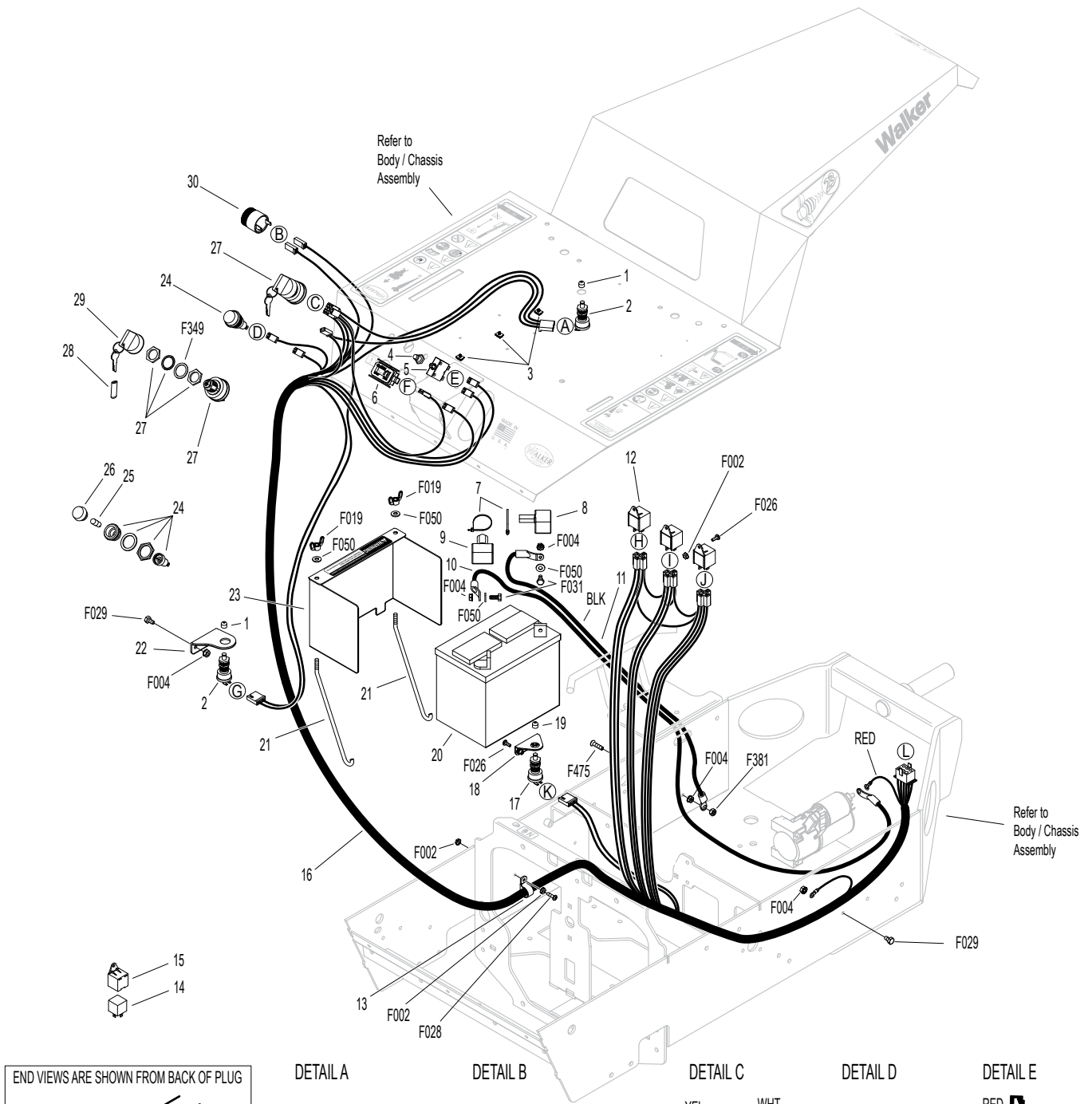


# ELECTRICAL ASSEMBLY

ITEM NO.	PART NO.	DESCRIPTION	NO. REQ'D	ITEM NO.	PART NO.	DESCRIPTION	NO. REQ'D
<b>Electrical Assembly</b>				<b>Fasteners</b>			
1	5942-1	Switch Boot (Fits P/N 5942)	2		F002	10-24 Keps Nut	5
2	5942	Safety Switch (NO)	2		F004	1/4-20 Keps Nut	6
3	7834-3	Wire Saddle (3 Wires)	3		F019	1/4-20 ESNA Wing Nut	2
4	7941-3	Boot, Circuit Breaker	1		F026	10-24 x 1/2 PPHMS	5
5	7941-6	Circuit Breaker (15AMP)	1		F028	10-24 x 3/4 PPHMS	1
6	8990-1	Hourmeter (Global)	1		F029	1/4-20 x 1/2 Hex Bolt	3
7	5975-1	Cable Tie (18# x 3-3/4")	2		F031	1/4-20 x 5/8 Hex Bolt	2
8	5932	Battery Terminal Insulation Black (-)	1		F050	1/4 SAE Washer	4
9	5933	Battery Terminal Insulation Red (+)	1		F349	Washer .835 ID 1.122 OD, SS	1
10	4940-6	Battery Cable 33"	1		F381	1/4-20 Hex Nut	1
11	6923	Battery Cable (-)	1		F475	1/4-20 x 1 PFH Screw	1
12	6942	Relay Switch 30/40AMP (NC) (Includes Items # 14 & 15)	3				
13	5835	Cable Clamp (3/4)	1				
14	6941-6	Relay Switch 30/40AMP	*				
15	6941-7	Relay Mount	*				
16	4940-9	Wire Harness	1				
17	5941	Safety Switch (NC)	1				
18	4359-3	Switch Mount / Clutch	1				
19	5941-1	Switch Boot (Fits P/N 5941)	1				
20	NS	Battery (12V/300 CA/Wet/SP35)	1				
21	5839	Hook Bolt	2				
22	4024-12	Switch Mount	1				
23	4910-4	Battery Cover	1				
24	8996-10	Amber Indicator Light Assembly (Includes Items # 25 & 26)	1				
25	8996-3	Indicator Bulb (Replacement for P/N 8996-2)	*				
26	8996-6	Amber Indicator Lens	1				
27	8960-15	Ignition Switch W/Keys (Includes Items # 28, 29 & F349)	1				
28	7854	Plastic Tip, Red	1				
29	8960-3	Key Set W/Umbrella	1				
30	8536	Warning Horn	1				
				*	Service Part Only		



# ELECTRICAL ASSEMBLY



<p><b>DETAIL A</b></p>		<p><b>DETAIL B</b></p>		<p><b>DETAIL C</b></p>		<p><b>DETAIL D</b></p>		<p><b>DETAIL E</b></p>					
<p><b>DETAIL F</b></p>		<p><b>DETAIL G</b></p>		<p><b>DETAIL H</b></p>		<p><b>DETAIL I</b></p>		<p><b>DETAIL J</b></p>		<p><b>DETAIL K</b></p>		<p><b>DETAIL L</b></p>	

Beginning S/N 116942  
 Effective Date 04-20-12  
 Use only genuine **Walker**® replacement parts.

# LIGHT KIT / HITCH KIT / TAIL WEIGHT KIT

ITEM NO.	PART NO.	DESCRIPTION	NO. REQ'D
----------	----------	-------------	-----------

**Kit 5989-11 Light Kit**

Includes Items # 1-14, fasteners listed and instructions. May be ordered as a dealer-installed option. Contact your Walker dealer.

1	7989-2	Light Assembly (Halogen)	2
2	7989-3	Wire Harness Ext./Halogen (Includes Item # 3)	2
3	5996-4	16-14 GA Bullet Cntr. (M)	2
4	5996-5	16-14 GA Bullet Cntr. (F)	2
5	7834-2	Wire Saddle (2 Wires)	9
6	5977-1	Grommet (1/8 x 3/8)	2
7	7995-4	Power Lead Wire Assembly (Includes Items # 6, 8 & 9)	1
8	5996	1/4 x 16-14 GA QDF Terminal (Fully Insulated)	1
9	5975-1	Cable Tie (18# x 3-3/4")	1
10	6940-10	Jumper Wire	1
11	5995-5	Piggyback Terminal	1
12	5995	Toggle Switch (Off-On)	1
13	5995-2	Switch Boot	1
14	7993-1	Mount Bracket, Lights	1

**Kit 4310-9 Hitch Kit**

Includes Items # 15-16, fasteners listed and instructions. May be ordered as a dealer-installed option. Contact your Walker dealer.

15	4310-1	Spacer	2
16	2310-20	Hitch	1

**Kit 2647-3 Tail Weight Kit**

Includes Items # 17-18, fasteners listed and instructions. May be ordered as a dealer-installed option. Contact your Walker dealer.

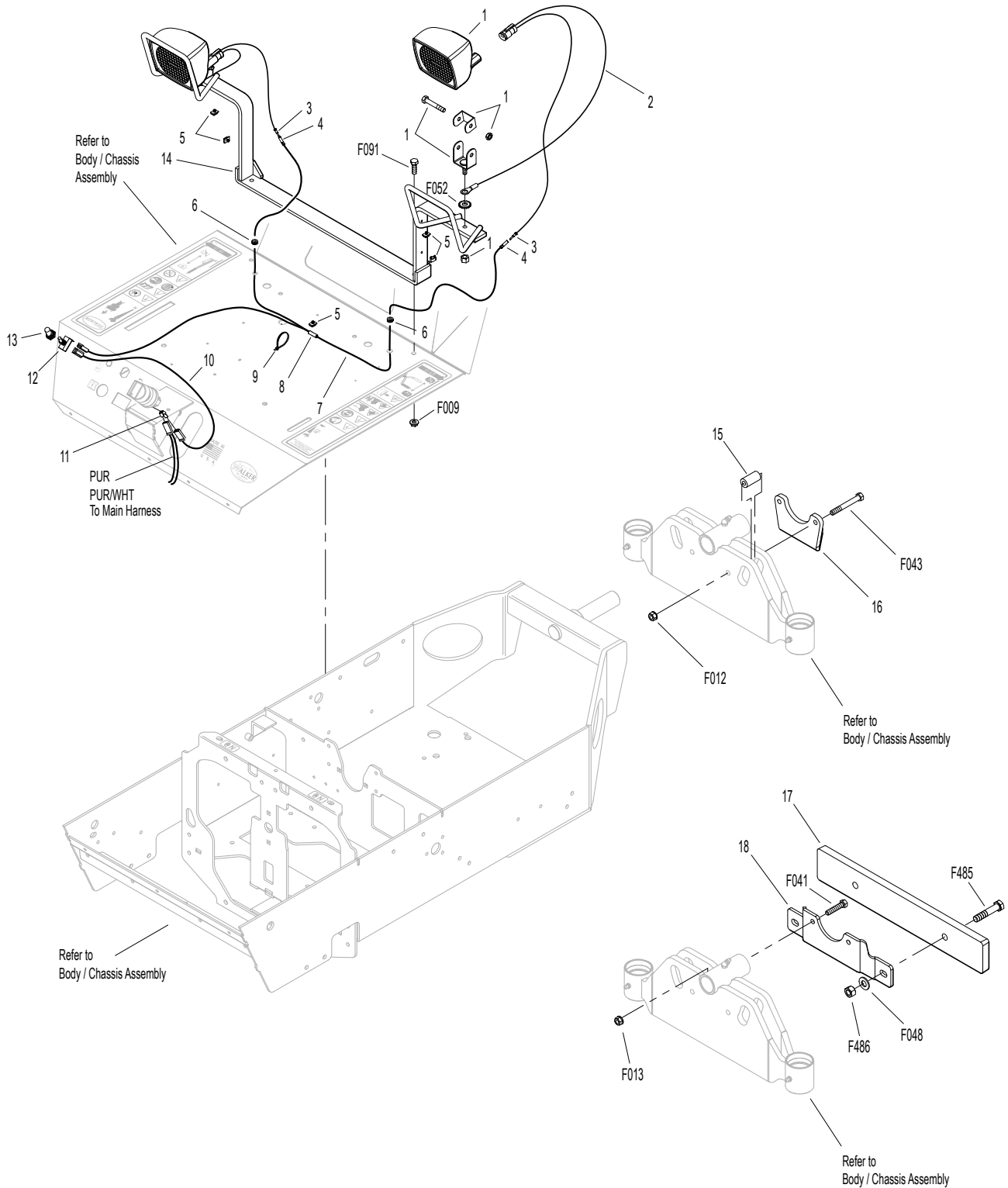
17	7647-5	Tail Weight Plate, 10-lb	1
18	2647-4	Tail Weight Mount	1

ITEM NO.	PART NO.	DESCRIPTION	NO. REQ'D
----------	----------	-------------	-----------

**Fasteners**

F009	5/16-18 Whiz Locknut	2
F012	3/8-16 Keps Nut	2
F013	3/8-16 Whiz Locknut	2
F041	3/8-16 x 1-3/4 Hex Bolt	2
F043	3/8-16 x 3 Hex Bolt	2
F048	1/2 SAE Washer	2
F052	5/16 External Star Lock Washer	2
F091	5/16-18 x 5/8 Hex Bolt	2
F485	1/2-13 x 2-1/2 Hex Bolt	2
F486	1/2-13 Hex Nut	2

# LIGHT KIT / HITCH KIT / TAIL WEIGHT KIT

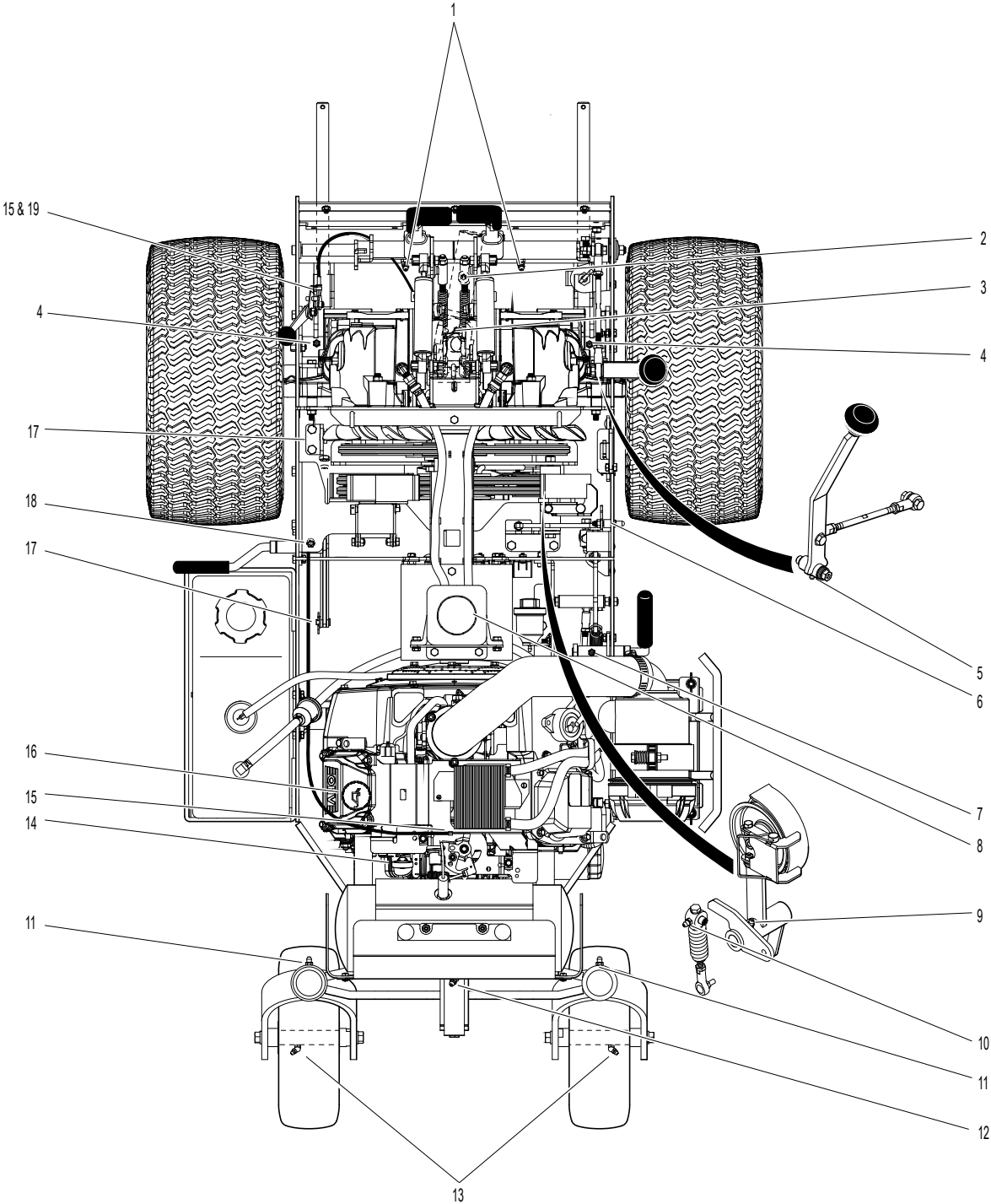


Beginning S/N 116942  
 Effective Date 04-20-12  
 Use only genuine **Walker**® replacement parts.

# LUBRICATION POINTS

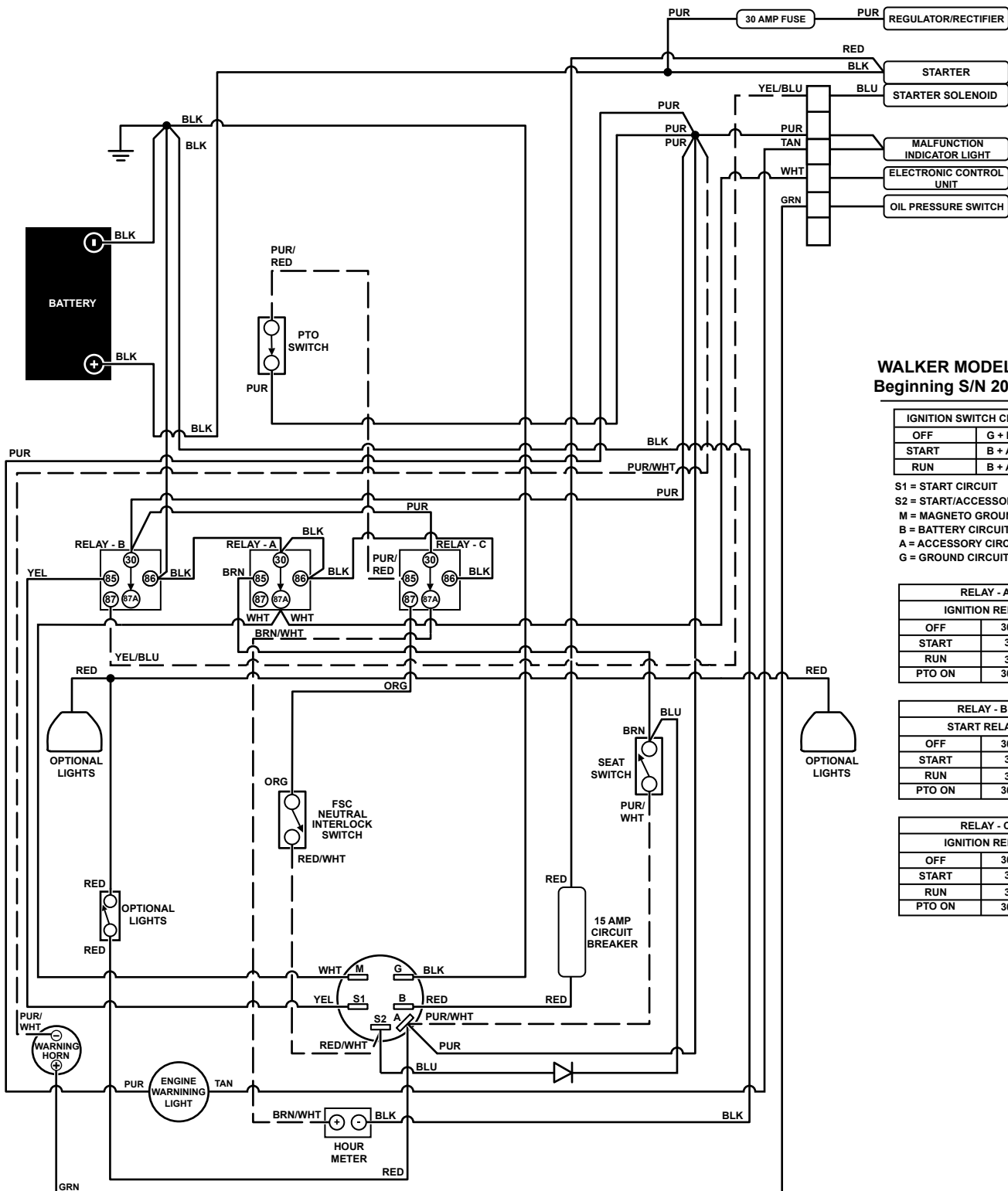
ITEM NO.	LOCATION	LUBRICATION TYPE	NO. PLACES	ITEM NO.	LOCATION	LUBRICATION TYPE	NO. PLACES
<b>Lubrication Points</b>							
1	Steering Lever Pivot	Grease	2	13	Rear Wheel Bearing	Grease	2
2	Deck-to-PTO Coupling (Grease Spline Slide Area)	Grease	1	14	Engine Dipstick	Oil**	1
3	Universal Joint Tube Assembly	Grease*	1	15	Throttle Control Cable Ends	Oil	2
4	Deck Support Arm Pivot	Grease	2	16	Engine Oil Filler	Oil**	1
5	FSC Lever Pivot	Grease	1	17	Parking Brake Clevis	Oil	2
6	Body Latch Pivot	Oil	1	18	Parking Brake Lever	Grease	1
7	PTO Clutch Lever Pivot	Grease	1	19	Throttle Control Pivot	Oil	1
8	Transaxle Oil Reservoir	Oil/20W-50	1	* Grease every eight (8) hours.			
9	PTO Belt Tightener Pivot	Grease	1	** Refer to MBK23 <b>Operator's Manual</b> for procedure for checking and changing oil in Engine Crankcase.			
10	Clutch Actuator Push Rod	Grease	1	<b>NOTE:</b> See Model MBK23 <b>Operator's Manual</b> (P/N 4000-5) for proper lubrication intervals.			
11	Tail Wheel Caster Fork Pivot	Grease	2				
12	Rear Axle Pivot	Grease	1				

# LUBRICATION POINTS



Beginning S/N 116942  
Effective Date 04-20-12  
Use only genuine **Walker**® replacement parts.

# WIRING SCHEMATIC



## WALKER MODEL MBK23 Beginning S/N 2012-116942

IGNITION SWITCH CIRCUITS	
OFF	G + M
START	B + A / S1 + S2
RUN	B + A

S1 = START CIRCUIT  
S2 = START/ACCESSORY CIRCUIT  
M = MAGNETO GROUND CIRCUIT  
B = BATTERY CIRCUIT  
A = ACCESSORY CIRCUIT  
G = GROUND CIRCUIT

RELAY - A	
IGNITION RELAY	
OFF	30 + 87A
START	30 + 87
RUN	30 + 87
PTO ON	30 + 87A

RELAY - B	
START RELAY	
OFF	30 + 87A
START	30 + 87
RUN	30 + 87
PTO ON	30 + 87A

RELAY - C	
IGNITION RELAY	
OFF	30 + 87A
START	30 + 87
RUN	30 + 87
PTO ON	30 + 87A

## **LIMITED WARRANTY FOR WALKER MODEL MBK23 RIDER MOWERS**

### **1. WHAT THIS WARRANTY COVERS, AND FOR HOW LONG:**

Walker Manufacturing company will, at its option, repair or replace, without charge, any part covered by this warranty which is found to be defective in material and/or workmanship within one (1) year after date of sale to the original retail purchaser unless the product is used for rental purposes, in which case this warranty is limited to ninety (90) days. At Walker's request, customer will make the defective part available for inspection by Walker and/or return the defective part to Walker, transportation charges prepaid. All parts and components of the Walker Mower are covered by this warranty **except** the following components which are warranted separately by their respective manufacturers:

Kohler Engine  
Hydro-Gear Transaxles  
Battery  
Tires

The available warranties covering these items are furnished with each mower. Walker does not assume any warranty obligation, liability or modification for these items, which are covered exclusively by the stated warranty of the respective manufacturers noted above.

### **2. WHAT THIS WARRANTY DOES NOT COVER:**

- A. This warranty does not cover defects caused by depreciation or damage caused by normal wear, accidents, improper maintenance, improper use or abuse of the product, alterations, or failure to follow the instructions contained in the Operator's Manual for operation and maintenance.
- B. The customer shall pay any charges for making service calls and/or for transporting the mower to and from the place where the inspection and/or warranty work is performed.

### **3. HOW TO OBTAIN SERVICE UNDER THIS WARRANTY:**

Warranty service can be arranged by contacting the dealer where you purchased the mower or by contacting Walker Manufacturing Company, 5925 East Harmony Road, Ft. Collins, CO 80528. Proof of the date of purchase may be required to verify warranty coverage.

### **4. WARRANTY LIMITATION:**

- A. **THERE IS NO OTHER EXPRESS WARRANTY. ANY WARRANTY THAT MAY BE IMPLIED FROM THIS PURCHASE INCLUDING MERCHANTABILITY AND FITNESS FOR A PARTICULAR PURPOSE IS HEREBY LIMITED TO THE DURATION OF THIS WARRANTY AND TO THE EXTENT PERMITTED BY LAW ANY AND ALL IMPLIED WARRANTIES ARE EXCLUDED.** Some states do not allow limitations on how long an implied warranty lasts, so the above limitations may not apply to you.
- B. **WALKER WILL NOT BE LIABLE FOR ANY INCIDENTAL, CONSEQUENTIAL, OR SPECIAL DAMAGES AND/OR EXPENSES IN CONNECTION WITH THE PURCHASE OR USE OF THE MOWER.** Some states do not allow the exclusion or limitation of incidental or consequential damages, so the above limitation(s) or exclusion(s) may not apply to you.
- C. Only the warranty expressed in this limited warranty shall apply and no dealer, distributor, or individual is authorized to amend, modify, or extend this warranty in any way. Accordingly, additional statements such as dealer advertising or presentations, whether oral or written, do not constitute warranties by Walker, and should not be relied upon.
- D. This warranty gives you specific legal rights, and you may also have other rights which vary from state to state.

# WALKER MOWERS

WALKER MFG. CO. • 5925 E. HARMONY ROAD, FORT COLLINS, CO 80528 • (970) 221-5614  
FORM NO. 042012      PRINTED IN USA      [www.walkermowers.com](http://www.walkermowers.com)      ©2012 WALKER MFG. CO



## Free Manuals Download Website

<http://myh66.com>

<http://usermanuals.us>

<http://www.somanuals.com>

<http://www.4manuals.cc>

<http://www.manual-lib.com>

<http://www.404manual.com>

<http://www.luxmanual.com>

<http://aubethermostatmanual.com>

Golf course search by state

<http://golfingnear.com>

Email search by domain

<http://emailbydomain.com>

Auto manuals search

<http://auto.somanuals.com>

TV manuals search

<http://tv.somanuals.com>