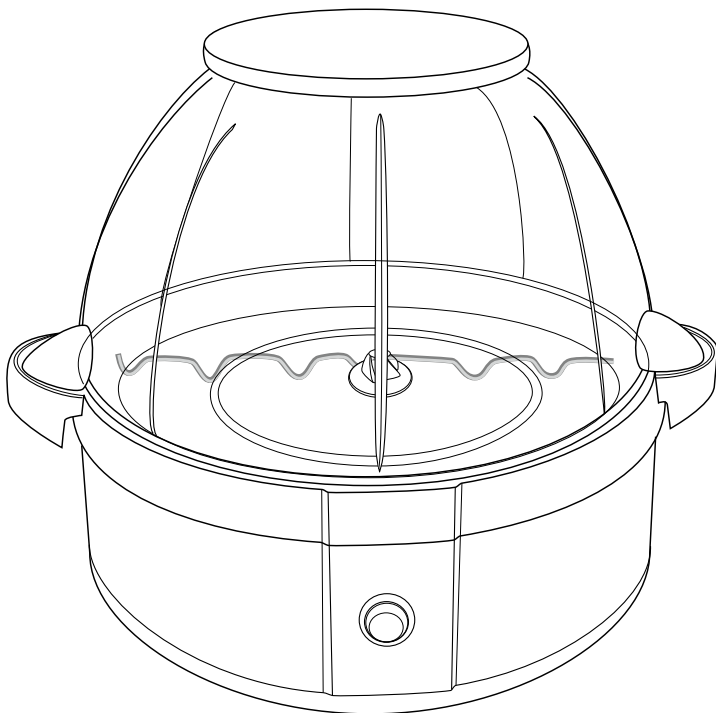


WARING PRO[®]

PROFESSIONAL POPCORN MAKER



WPM10 Series

For your safety and continued enjoyment of this product,
always read the instruction book carefully before using.

IMPORTANT SAFEGUARDS

When using any electrical appliance, basic safety precautions should always be followed, including the following:

1. **READ ALL INSTRUCTIONS.**
2. **Always unplug this appliance when not in use.**
3. **Do not use this appliance for other than intended use.**
4. **The use of accessory attachments not recommended by Waring may cause injuries.**
5. **KEEP OUT OF REACH OF CHILDREN.** Close supervision is necessary when this appliance is used by or near children.
6. Do not allow cord to hang over any edge where a child can reach it. Arrange cord to avoid pulling, tripping or entanglement.
7. Do not operate the appliance with a damaged cord or plug, or after the appliance malfunctions or has been damaged in any manner. Send the unit to the nearest authorized service center for examination, repair or adjustment. (ONLY technicians should open up the unit.)
8. **EXTREME CAUTION must be used when emptying popcorn maker. Always empty popcorn over a countertop so that residual hot oil or water will not drip out. Always turn the popping plate away from you when turning. POPPING PLATE SURFACE IS VERY HOT.**
9. Extreme caution must be used when moving an appliance containing hot oil or other hot liquids. Allow hot parts to cool down before handling or moving the appliance.
10. Do not attempt to repair this appliance yourself.
11. Do not attempt to pop corn kernels without using oil.
12. Do not touch hot surfaces. Always use handles or knobs to operate.
13. **This popcorn maker will not shut off automatically.** To avoid overheating, add oil and then corn kernels before plugging in and turning on the unit (as specified in the popping instructions on page 5).

14. Do not use this appliance or the cover on the stovetop, under the broiler, in the freezer, or in the oven.
15. Do not use this appliance outdoors.
16. To protect against electric shock, do not immerse cord, plug or other electric parts in water or other liquids.
17. Turn switch to OFF position before disconnecting power plug from the wall outlet.
18. After popping, unplug cord from wall outlet.
19. Never leave appliance unattended when it is plugged into an outlet.
20. Keep the cord away from hot parts of the appliance and hot surfaces during operation.
21. Do not clean using any abrasive material.
22. Never force any part or bracket into position.
23. Do not operate this popcorn maker without popcorn kernels, oil, popping pan and bowl.
24. No part is intended for the dishwasher.
25. Unit should be in the OFF position when the popping pan is removed.
26. Do not operate your appliance in an appliance garage or under a wall cabinet. **When storing in an appliance garage, always unplug the unit from the electrical outlet.** Not doing so could create a risk of fire, especially if the appliance touches the walls of the garage or the door touches the unit as it closes.
27. Unplug from outlet when not in use and before cleaning. Allow to cool before putting on or taking off parts, and before cleaning the appliance.
28. Do not place on or near a hot gas or electric burner, or in a heated oven.

**SAVE THESE INSTRUCTIONS
FOR HOUSEHOLD USE ONLY**

SPECIAL CORD SET INSTRUCTIONS

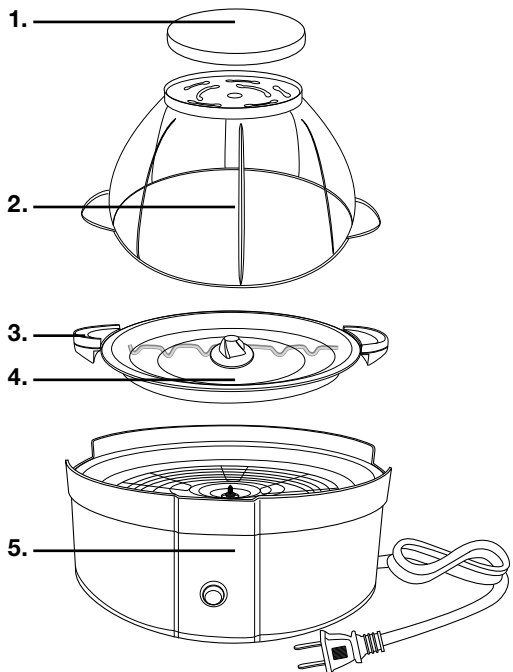
This appliance is for 120 volts only and should not be used with a converter.

This appliance has a polarized plug (one blade is wider than the other). To reduce the risk of electric shock, this plug will fit in a polarized outlet only one way. If the plug does not fit fully in the outlet, reverse the plug. If it still does not fit, contact a qualified electrician. Do not modify the plug in any way.

1. A short power supply cord is provided to reduce the risk of becoming entangled in or tripping over a long cord.
2. Extension cords may be used if care is exercised in their use.
3. If an extension cord is used:
 - A. The marked electrical rating of the extension cord should be at least as great as the electrical rating of the appliance.
 - B. The longer cord should be arranged so that it will not drape over the countertop or tabletop where it can be pulled on by children or tripped over unintentionally.

PARTS

1. Lid
2. Popping Bowl
3. Handles
4. Popping Plate
5. Base



POPPING INSTRUCTIONS

1. Place popcorn maker base on flat, dry surface.
2. Place popping plate on base.
3. It is not necessary to preheat the unit.
4. You may use either corn or vegetable oil for popping.

POPPING CHART

	Oil Vegetable, Peanut, Canola	Corn Kernels	Yield
Minimum Batch	1½ tablespoons	½ cup	Up to 13 cups
Maximum Batch	2 tablespoons	⅔ cup	Up to 20 cups

5. Pour the recommended amount of oil onto the popping plate (do not add more oil than recommended and do not substitute with butter, margarine, shortening or lard, as these will burn and cause excessive smoke).
6. Add the recommended amount of corn kernels spread out evenly across the popping plate.
7. Place popping bowl on the popping plate, making sure handles of the popping bowl line up and fit into the handles on the popping plate.
8. **Do not place black lid on the popping bowl during the popping process.**
9. Plug into an outlet and turn the unit on. The stirring rod will rotate as long as the popcorn maker is in the ON position. Do not shake the popcorn maker during the popping cycle. In up to 4 minutes (depending on quantity and type of kernels being popped), the popping cycle will be complete and you will no longer hear the corn popping. Turn unit to the OFF position and unplug from the outlet.
10. Immediately after the popping cycle is complete, firmly place the black lid on the top of the popping bowl, grasp handles and flip the popping bowl along with the popping plate upside down, turning the popping plate away from you (the popping bowl becomes a serving bowl).

WARNING: POPPING PLATE IS HOT. TOUCH ONLY DESIGNATED HANDLES.

NOTE: Do not leave popped corn on the popping plate after the popping cycle has been completed, as the popping plate surface is still hot and could cause the popped corn to overcook or burn.

11. Popcorn is now ready to serve. Add ingredients as desired.
Recommended toppings: salt, flavored salts, butter.
12. For consecutive batches, please wipe popping plate with clean cloth after each batch.

POPPING ADDITIONAL BATCHES OF POPCORN

If you plan to pop multiple batches, transfer popcorn from popping bowl to another serving bowl. Follow steps 1 through 10.

CAUTION: Popping plate is extremely hot after multiple batches.

CLEANING AND MAINTENANCE

Before performing any cleaning or maintenance operations, be sure that the popcorn maker is in the off position, unplugged and cooled.

Clean the popcorn maker after every use:

1. Wash popping bowl, popping plate and lid in warm, soapy water with a dishcloth or sponge. Rinse thoroughly and dry. Do not use scouring pads or abrasive powder on lid as these could cause scratching.
2. Clean surface of popping base with a damp, soapy dishcloth, sponge or nylon scouring pad such as Scotch Brite Cookware Scrub 'n Sponge®. Wipe surface with a damp cloth and dry. Do not use abrasive scouring pads or powders on nonstick finish, as scratching may occur. After consistent use, the nonstick finish may discolor. To remove discoloration, use a soft cloth saturated with lemon juice or vinegar and rub over finish. Then wipe the finish with a damp cloth and dry.
3. Do not place popping bowl, plastic lid, popping pan, popping base or cord in an automatic dishwasher.
4. Any other servicing should be performed by an Authorized Service Representative.

Trademarks or service marks of third parties used herein are the trademarks or service marks of their respective owners.

©2012 Waring Consumer Products
150 Milford Road
East Windsor, NJ 08520

www.waringpro.com

Printed in China
WPM Series IB

11WR128611

IB-10616A

Free Manuals Download Website

<http://myh66.com>

<http://usermanuals.us>

<http://www.somanuals.com>

<http://www.4manuals.cc>

<http://www.manual-lib.com>

<http://www.404manual.com>

<http://www.luxmanual.com>

<http://aubethermostatmanual.com>

Golf course search by state

<http://golfingnear.com>

Email search by domain

<http://emailbydomain.com>

Auto manuals search

<http://auto.somanuals.com>

TV manuals search

<http://tv.somanuals.com>