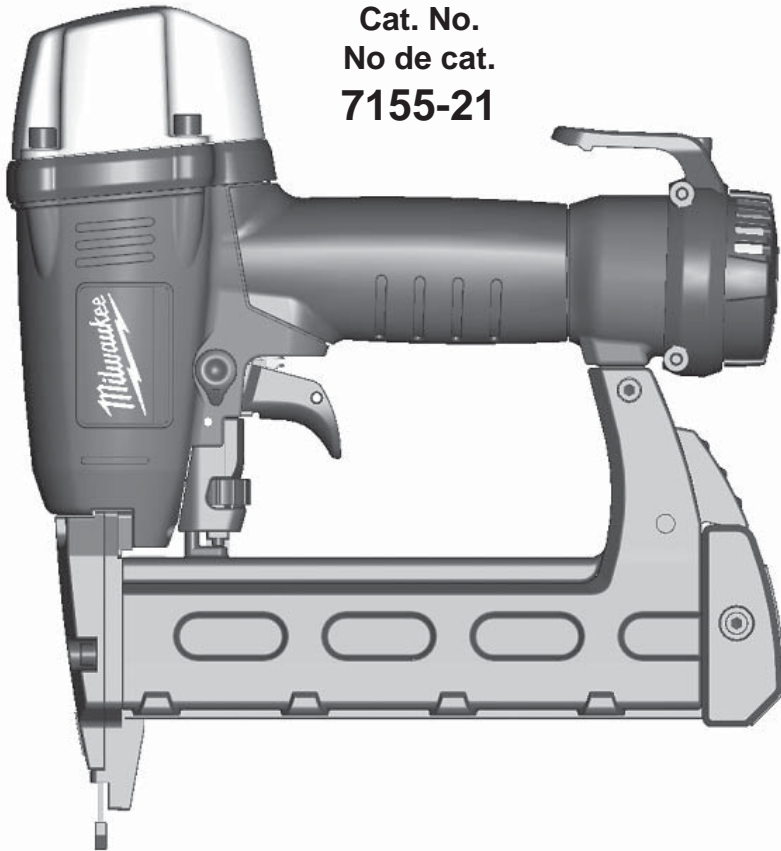




**OPERATOR'S MANUAL
MANUEL de L'UTILISATEUR
MANUAL del OPERADOR**

**Cat. No.
No de cat.
7155-21**



**FINISH STAPLER
AGRAFEUSE DE FINITION
ENGRAPADORA DE ACABADO**

**▲ TO REDUCE THE RISK OF INJURY, USER MUST READ OPERATOR'S MANUAL.
AFIN DE RÉDUIRE LES RISQUES DE BLESSURES, L'UTILISATEUR DOIT LIRE
LE MANUEL DE L'OPÉRATEUR.**

**PARA REDUCIR EL RIESGO DE LESIONES, EL USUARIO DEBE LEER EL MANUAL
DEL OPERADOR.**

GENERAL SAFETY INSTRUCTIONS



DANGER

IMPORTANT SAFETY INSTRUCTIONS. SAVE THESE INSTRUCTIONS PERTAINING TO A RISK OF INJURY OR DEATH



WARNING

WHEN USING TOOLS, BASIC PRECAUTIONS SHOULD ALWAYS BE FOLLOWED, INCLUDING THE FOLLOWING:

GENERAL

1. **To reduce the risk of injury, read all instructions before using the tool.**

WORK AREA

2. **Keep the work area clean and well lighted.** Cluttered benches and dark areas increase the risk of injury.
3. **Do not operate the tool in explosive atmospheres, such as in the presence of flammable liquids, gases, or dust.** The tool is able to create sparks resulting in the ignition of the dust or fumes.
4. **Keep bystanders, children, and visitors away while operating the tool.** Distractions are able to result in the loss of control of the tool.
5. **Know what is behind your workpiece.** A fastener could travel through the workpiece and out the other side, striking a bystander and causing serious injury.
6. **DANGER: Avoid performing operations where the fastener may contact hidden wiring.** Contact with a "live" wire will make exposed metal parts of the tool "live" and shock the operator, resulting in serious injury or death. Contact a qualified electrician to ensure a safe work environment exists.

PERSONAL SAFETY

7. **Stay alert.** Watch what you are doing and use common sense when operating the tool. Do not use the tool while tired or under the influence of drugs, alcohol, or medication. A moment of inattention while operating the tool increases the risk of injury to persons.
8. **Dress properly.** Do not wear loose clothing or jewelry. Contain long hair. Keep hair, clothing, and gloves away from moving parts. Loose clothes, jewelry, or long hair increases the risk of injury to persons as a result of being caught in moving parts.
9. **Avoid unintentional starting. Remove finger from the trigger when not driving fasteners.** Be sure the trigger is not pulled before connecting to the air supply. Do not carry the tool with your finger on the trigger or connect the tool to the air supply with the trigger pulled.
10. **Do not overreach.** Keep proper footing and balance at all times. Proper footing and balance enables better control of the tool in unexpected situations.
11. **Use safety equipment.** A dust mask, non-skid safety shoes and a hard hat used for appropriate conditions will reduce personal injuries.

12. **The operator and other people in the work area must wear eye protection** in accordance with ANSI Z87.1. Eye protection does not fit all operators in the same way. Make sure the eye protection chosen has side shields or provides protection from flying debris both from the front and sides. The employer is responsible for enforcing the use of eye protection by the operator and other people in the work area. When required, wear head protection in accordance with ANSI Z89.1.
13. **Always wear ear protectors when using the tool for extended periods.** Prolonged exposure to high intensity noise is able to cause hearing loss.
14. **Do not carry an air hose or a tool connected to an air hose when climbing ladders, rigging or scaffolding. Do not attach an air hose or tool connected to an air hose to your body when working at elevated heights.** Attach the hose to the structure to reduce the risk of loss of balance and injury if the hose shifts.
15. **Always assume that the tool contains fasteners.** Do not point the tool toward yourself or anyone whether it contains fasteners or not.
16. **Do not nail on top of another nail.** This can cause the nail to be deflected and hit someone, or cause the tool to react and result in a risk of injury to persons.

TOOL USE AND CARE

17. **Use clamps or another practical way to secure and support the workpiece to a stable platform.** Holding the work by hand or against the body is unstable and is able to lead to loss of control.
18. **Do not force the tool.** Use the correct tool for the application. The correct tool will do the job better and safer at the rate for which the tool is designed.
19. **Do not use the tool if the trigger does not turn the tool on or off.** Any tool that cannot be controlled with the trigger is dangerous and must be repaired.
20. **Disconnect the tool from the air source, then empty the magazine before making adjustments, doing tool maintenance, clearing jams, touching the workpiece**

contact or leaving work area. Verify the tool is empty and there is no residual pressure in the tool prior to performing these actions. Such precautionary measures reduce the risk of injury to persons.

21. **Store idle tools out of reach of children and other untrained persons.** A tool is dangerous in the hands of untrained users.
22. **Maintain the tool with care.** A properly maintained tool reduces the risk of injury. If the tool has been dropped, received a sharp blow, been run over, etc., perform the "Required Daily Testing" before further use.
23. **Check for misalignment or binding of moving parts, breakage of parts, and any other condition that affects the tool's operation.** If damaged, have the tool serviced before using. Many accidents are caused by poorly maintained tools. There is an increased risk of the tool bursting if the tool is damaged.
24. **Use only those fasteners specifically recommended.** Fasteners not identified for use with this tool by the tool manufacturer are able to result in a risk of injury to persons or tool damage when used in this tool. See the "Specifications" section for fastener requirements.
25. **Use only accessories that are identified by the manufacturer for the specific tool model.** Use of an accessory not intended for use with the specific tool model, increases the risk of injury to persons.

SERVICE

26. a) **Tool service must be performed only by qualified repair personnel.**
b) **The wrench provided is for tightening screws during "Required Daily Testing".**
c) **Use only identical replacement parts recommended by the manufacturer.**
27. **Use only the air tool lubricants supplied with the tool or specified by the manufacturer. Do not use other lubricants; they will damage the tool.** See "Accessories" for a list of recommended air tool lubricants.

AIR SOURCE

28. **DANGER: Do not use oxygen, combustible gases or bottled gases** as a power source for this tool. The tool will explode and cause death or serious injury.
29. **Never connect to an air source that is capable of exceeding 200 psi.** Over pressurizing the tool may result in bursting, abnormal operation, breakage of the

tool or serious injury to persons. Use only clean, dry, regulated compressed air at the rated pressure or within the rated pressure range as marked on the tool. Prior to using the tool, always verify that the air source has been adjusted to the rated air pressure or within the rated air-pressure range. Air compressors should comply with ANSI B19.3.

SPECIFIC SAFETY INSTRUCTIONS

1. **Use air supply hoses with a minimum working pressure rating of 200 psi.**
2. **Use pressure regulators to limit the air pressure supplied to the tool. Set the regulators to no more than 120 psi.**
3. **Install only hose couplings that will allow all pressure to be removed from tool when disconnected from the source.** If the wrong fitting is installed, pressure may remain in the tool after disconnection, allowing it to drive a fastener, possibly causing injury.
4. **Prior to each use, check workpiece contact and trigger for correct operation.** Do not disassemble or clamp parts of the workpiece contact, trigger, or driving mechanism. This will cause unexpected actuation, resulting in serious injury.
5. **Never point the discharge area of the tool at any body parts or at other people.** Always assume the tool is loaded and capable of driving a fastener.
6. **Do not actuate the tool into free space.** Do not engage in horseplay. The discharged fasteners are projectiles capable of causing serious injury.
7. **When using the tool, ensure the workpiece contact is securely placed on the workpiece.** Hold the tool firmly and be prepared for the recoil.
8. **Do not remove, tamper with, or otherwise cause the tool operating controls to become inoperable.** This will cause unexpected actuation, resulting in serious injury.
9. **Do not operate a tool if any portion of the tool operating controls is inoperable,** disconnected, altered, or not working properly. This will cause unexpected actuation, resulting in serious injury.
10. **Always keep hands and body away from discharge area of the tool.** Never attempt to clear a jammed workpiece contact by grasping the discharge area of the tool. Fasteners discharged from tool can cause serious injury if they contact hands or body.
11. **Do not drive fasteners close to the edge of the workpiece.** Fasteners can slip off corners and edges or penetrate through thin material, making them projectiles capable of causing serious injury.
12. **Use the tool only for the intended purpose. Do not abuse the tool.** Do not use as a hammer, stamp or engrave information onto parts, drop or impact the tool or otherwise apply excess force to the tool in use. Do not mount the tool to stands or modify it for stationary use.
13. **Do not carry tool by the air hose.** Only carry the tool by the handle with your finger off of the trigger.
14. **Do not use this tool without the safety warning label in place.** If the label is damaged or missing, contact **MILWAUKEE** for a free replacement.

TERMINOLOGY

Actuate

To cause movement of the tool component(s) intended to drive a fastener.

Actuation System

The use of a trigger, workpiece contact and/or other operating control, separately or in some combination or sequence, to actuate the tool.

- **Single sequential actuation**

An actuation system that requires the workpiece contact and then the trigger to be activated in a specific sequence to drive a fastener. Additional actuation can occur when the trigger is released and reactivated.

- **Contact actuation**

An actuation system that requires the workpiece contact and the trigger to be activated in any sequence to drive a fastener. Additional actuation can occur when either the workpiece contact or the trigger is released and reactivated.

- **Selective actuation**

An actuation system that allows selection of actuation systems: single sequential actuation or contact actuation.

Fastener

A staple, pin, brad, nail, or other fastening device which is designed and manufactured for use in the tools.




Jam

An obstruction in the feed or drive areas of the tool.

Workpiece Contact

An operating control element on the tool intended to be activated by the workpiece to be fastened.

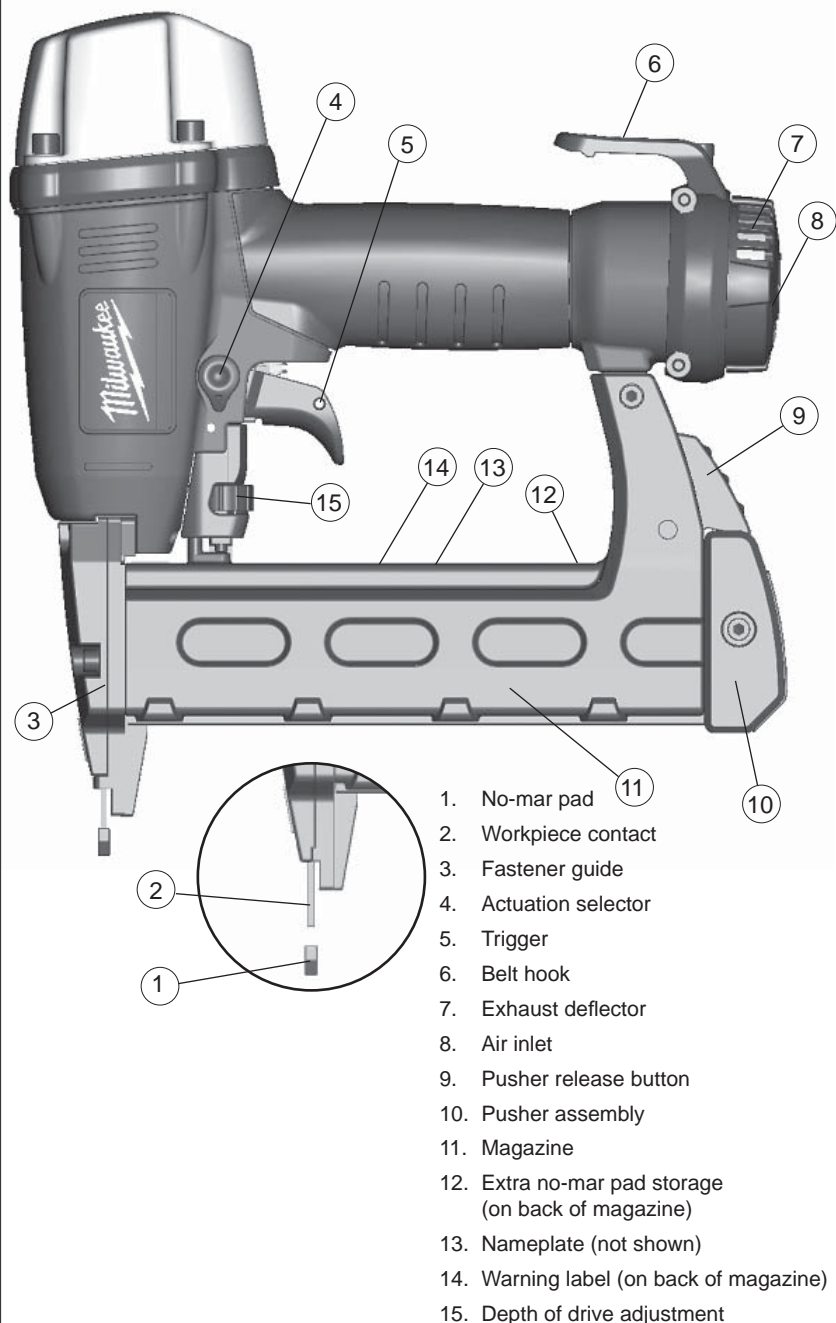
Symbology

	Read the Operator's Manual
	Wear Eye Protection
	Keep hands away

Specifications

Cat. No.	Operating Pressure	Fastener Length	Collation Angle	Staple Crown Width	Air Consumption	Air Inlet	Magazine Capacity
7155-21	min. 70 PSI max. 120 PSI	min. 0.375" max. 1.5"	0°	1/4"	.03 ft ³ /cycle at 100 psi	1/4 in. NPT	101 staples

FUNCTIONAL DESCRIPTION



ASSEMBLY

WARNING

Disconnect the air supply from the tool and remove fastener strips before changing or removing accessories. Only use accessories specifically recommended for this tool by the manufacturer. Others may be hazardous.

The operator and other people in the work area must wear eye protection in accordance with ANSI Z87.1. Eye protection does not fit all operators in the same way. Make sure the eye protection chosen has side shields or provides protection from flying debris both from the front and sides.

No-Mar Pad

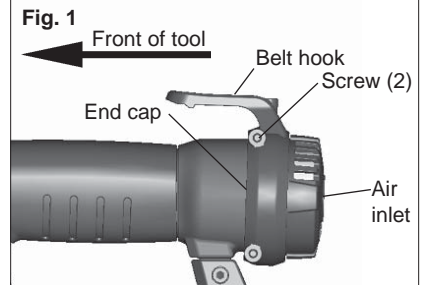
The No-Mar Pad on the nose of the tool protects the workpiece when the workpiece contact is compressed during actuation. The pad can be removed and replaced.

1. Before removing or replacing no-mar pads, disconnect the air supply from the tool and remove fastener strips.
2. To **remove** the pad, pull the pad off of the workpiece contact.
3. Storage for an additional pad is available on the magazine of the tool.
4. To **replace** the pad, fit it into place over the workpiece contact.

Exhaust

The exhaust cap can be adjusted to direct the exhaust as desired. Turn the exhaust cap to the desired locking position.

Removing and Installing the Belt Hook



To **remove** the hook:

1. Rotate the hook until it snaps into one of the preset positions.
2. Remove the two mounting screws using the wrench provided.
3. Pull the hook off the rear of the tool.

To **install** the hook:

1. Align the spring-loaded post on the hook with a slot on the rear of the tool.
2. Slide the hook onto the tool, making sure the hook points toward the front of the tool. Push the hook up against the end cap.
3. Install the two mounting screws using the wrench provided. Tighten securely.
4. Verify that the hook is installed correctly by firmly pulling the hook toward the air inlet. It must not move.

Connecting the Air Supply



DANGER

Do not use oxygen, combustible gases or bottled gases as a power source for this tool. The tool will explode and cause death or serious injury.



WARNING

Always use a coupling that discharges all the compressed air in the tool at the time the fitting or hose coupling is disconnected. Using a coupling that does not discharge the compressed air could cause unintended operation and serious injury.

Use only clean, dry compressed air with a maximum pressure of 200 psi. Before connecting the tool to the air supply, check the air compressor regulator gauge to be sure it is functioning properly, with a range between 70-120 psi. Air pressure higher than 120 psi could cause injury and property damage. The correct pressure is the lowest pressure that will do the job.

To connect the air supply:

1. Remove the plastic plug from the tool air inlet.
2. Insert a 1/4" NPT quick connector into the tool air inlet.

NOTE: To improve the seal between the connector and the tool, and to help protect against oxidation, apply a PTFE tape or paste to the connector threads before insertion.

3. Snap the air hose onto the quick connector.
4. Check for air leakage.

Installing Fastener Strips



WARNING

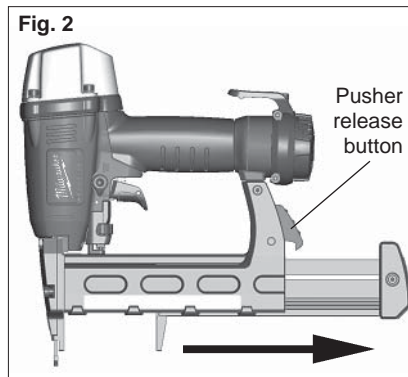
Always point the tool away from yourself and others when installing fasteners. Failure to do so could result in injury.

Always make sure the tool's magazine is **EMPTY** before connecting to the air supply. The tool may actuate when the tool is first connected to the air supply. Always connect the tool to the air supply before loading nails to prevent injury from unintended actuation.

Never install fasteners with the workpiece contact or trigger activated. Failure to do so could result in injury.

Use only recommended fasteners of the correct size, length, collation angle and head type, as indicated on the tool's nameplate. Refer to the "Accessories" section for information on recommended fasteners. Other fasteners could result in tool malfunction, leading to injury.

1. Lay the tool on its side and point the nose of the tool away from yourself and others.
2. Press the pusher release button and gently slide back the pusher assembly. Do not allow the pusher assembly to slide back fast.



3. Verify that the magazine is empty and then connect the air supply to the tool.

4. Place fastener strips into the magazine with the points of the staples pointing out.

NOTE: Use only recommended fasteners of the correct size and width as indicated on the tool's nameplate.



5. Slide the pusher assembly toward the nose of the tool until it latches. It may be necessary to tip up the nose of the tool slightly to seat the staples and close the pusher assembly.

NOTE: If the pusher assembly will not close, the fastener strip may be either upside down or not fully seated in the magazine.

Removing Fastener Strips



WARNING

To avoid serious injury, disconnect the tool from the air supply before removing fastener strips or clearing a jammed fastener.

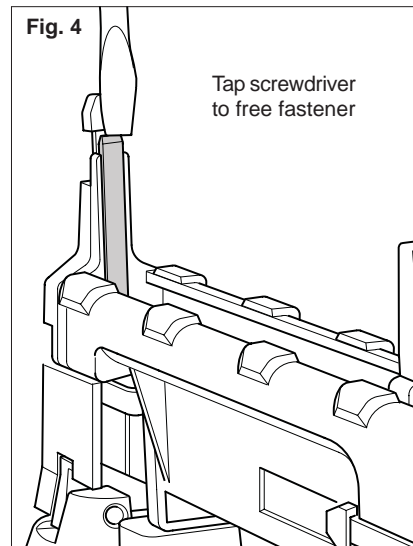
Keep fingers clear of fastener track of magazine. Pusher could pinch fingers, causing injury.

1. Lay the tool on its side and point the nose of the tool away from yourself and others.
2. Disconnect the air supply from the tool.
3. Place your hand on the end cap of the pusher assembly before pressing the pusher release button. Press the pusher release button and gently slide back the pusher assembly. Do not allow the pusher assembly to slide back fast.
4. Tip down the nose of the tool to remove fastener strip from the tool.
5. Reload according to "Installing Fastener Strips".

Clearing a Jammed Fastener

Most jams are caused by a fastener or part of a fastener wedging between the driver blade and the fastener guide. Fastener strips with an incorrect collation angle or the wrong fastener type may cause continuous jamming. To clear the jam:

1. Lay the tool on its side and point the nose of the tool away from yourself and others.
2. Disconnect the air supply from the tool and remove fastener strip. Leave the pusher assembly open.
3. Remove any debris.
4. Insert a screwdriver into the end of the fastener guide. The tip of the screwdriver should contact the tip of the driver blade.
5. Tap the screwdriver gently with a hammer. The screwdriver will push the driver blade back, freeing the jam.
6. Remove the fastener and other debris (use needle-nose pliers if necessary).
7. Follow the steps under "Required Daily Testing" before restarting the work.



OPERATION



WARNING

The operator and other people in the work area must wear eye protection in accordance with ANSI Z87.1. Eye protection does not fit all operators in the same way. Make sure the eye protection chosen has side shields or provides protection from flying debris both from the front and sides. The employer is responsible for enforcing the use of eye protection by the operator and other people in the work area. When required, wear head protection in accordance with ANSI Z89.1.

Selecting Actuation Mode

The selectable trigger can be set to either Single Sequential Actuation mode or Contact Actuation mode.

Fig. 5



Fig. 6



1. **Push in** and hold the Actuation Selector.
2. Rotate the Selector to Single Sequential Actuation (T) or Contact Actuation (TTT).
3. Release the Actuation Selector.

NOTE: Be sure the selector is snapped into position. Understand the actuation process before use.



WARNING

To reduce the risk of injury to yourself and others, test the tool before beginning work each day according to the "Required Daily Testing" section.

Do not use the tool unless you thoroughly understand the actuation operation selected.

Disconnect the air supply from the tool and remove fastener strips before leaving the work area, moving the tool to another location, or handing the tool to another person. Failure to do so could result in serious injury.

Do not carry an air hose or a tool connected to an air hose when climbing ladders, rigging or scaffolding. Do not attach an air hose or tool connected to an air hose to your body when working at elevated heights. Attach the hose to the structure to reduce the risk of loss of balance and injury if the hose shifts.

Single Sequential Actuation Operation

1. Grip the handle firmly.
2. Position the nose of the tool on the work surface.
3. Push the tool against the work surface, compressing the workpiece contact.
4. Pull the trigger to drive the fastener. The tool will recoil away from the workpiece as the fastener is driven.
5. Remove your finger from the trigger and remove the tool from the workpiece.

NOTE: If the tool is not removed from the workpiece, another fastener may be driven if the trigger is pulled again.

Contact Actuation Operation

1. Grip the handle firmly.
2. Pull and hold the trigger.
3. Push the tool against the work surface, compressing the workpiece contact to drive the fastener. The tool will recoil away from the workpiece as the fastener is driven.

NOTE: Contact Actuation will also work by first compressing the workpiece contact, then pulling the trigger.

Reload Indicator

To indicate that the magazine is almost empty of fasteners (0-1 left), the workpiece contact will not compress, preventing operation under usual pressure. Install more fasteners to continue working.

WARNING

NEVER wedge or hold back the workpiece contact mechanism during operation of the tool. Never attempt to clear a jammed workpiece contact by grasping the discharge area of the tool. Doing so could result in serious injury.

To avoid serious injury, do not attempt to prevent the recoil by holding the tool too firmly against the work. Keep face and body away from the tool. During normal use, the tool will recoil immediately after driving a fastener. This is a normal function of the tool. Restriction to the recoil can result in a second fastener being driven when the tool is in Contact Actuation mode. Grip the handle firmly, let the tool do the work, and do not place a second hand on top of the tool or near exhaust.

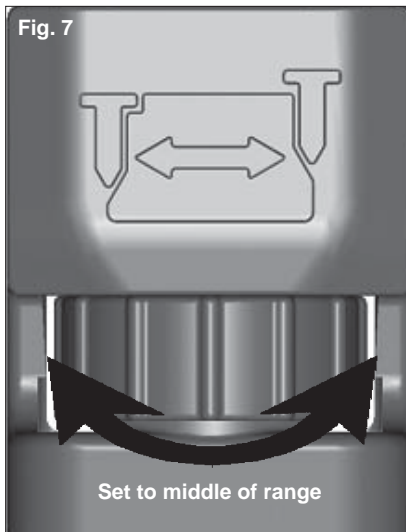
Setting the Air Pressure and Depth of Drive

The amount of air pressure required will depend on the size of the fastener and the workpiece material.

WARNING

Know what is behind your workpiece. A fastener could travel through the workpiece and out the other side, striking a bystander and causing serious injury. Lower the air pressure and/or depth of drive to prevent the fastener from being pushed all the way through the workpiece.

1. Lay the tool on its side and point the nose of the tool away from yourself and others.
2. Disconnect the air supply from the tool and remove fastener strip.
3. Set the depth of drive adjustment to the middle of its range.
4. Reload fastener strip according to "Installing Fastener Strips".



5. Begin testing the depth of drive by driving a test fastener into the same type of workpiece material used for the actual job using an air pressure of 90-95 psi.

6. Raise or lower the air pressure to find the lowest setting that will drive the fastener consistently. Do not exceed 120 psi.

NOTE: It may be possible to achieve the desired depth with air pressure adjustments alone. If finer adjustments are needed, use the depth of drive adjustment.

7. To fine-tune the depth of drive, disconnect the air supply and lay the tool on its side and point the nose of the tool away from yourself and others. Remove fastener strip. Turn the depth selector left or right to increase or decrease the driving depth.
8. Reload fastener strip according to "Installing Fastener Strips".
9. Drive a test fastener and repeat step 7 and 8 until desired depth is reached.

REQUIRED DAILY TESTING

WARNING

To reduce the risk of injury to yourself and others, test the tool before beginning work each day or if the tool is dropped, received a sharp blow, been run over, etc. Complete the following checklist IN ORDER. If the tool does not work as it should, contact a MILWAUKEE service facility immediately.

Always point tool away from yourself and others.

1. Disconnect the air supply from the tool and remove fastener strip.
2. Check all screws, bolts, nuts, and pins on the tool. Any loose fasteners must be tightened.
3. Press the pusher release button and slide back the pusher assembly (to override the Reload Indicator). Press the workpiece contact against a workpiece. It must move smoothly.
4. With the workpiece contact pressed against the workpiece, pull the trigger. It must move smoothly.
5. Connect the air supply (at 70 psi) to the tool. DO NOT load a fastener strip.

6. Select the Single Sequential Actuation Operation. Air must not leak from the tool.

Without pulling the trigger, press the workpiece contact against a workpiece. The tool must not operate.

Holding the workpiece contact away from the workpiece, pull and hold the trigger for 5 seconds. The tool must not operate.

Continue to pull and hold the trigger and push the workpiece contact against a workpiece. The tool must not operate.

Without pulling the trigger, press the workpiece contact against a workpiece. Pull the trigger. The tool must operate.

Release the trigger. The driver must move up.

7. Select the Contact Actuation Operation.

Holding the workpiece contact away from the workpiece, pull the trigger. The tool must not operate.

Continue to pull and hold the trigger and push the workpiece contact against a workpiece. The tool must operate.

8. If all previous tests work properly, set the tool for your work. Select the operation and load fastener strips.

9. Set the depth of drive according to the "Setting the Air Pressure and Depth of Drive" section.

10. If all tests operate properly, the tool is ready for use. Repeat these tests before use each day or if the tool is dropped, received a sharp blow, been run over, jammed, etc.

MAINTENANCE



WARNING

To reduce the risk of injury, use only identical replacement parts recommended by the manufacturer. Tool service must be performed only by qualified repair personnel. Always wear safety goggles or glasses with side shields when servicing tools. Disconnect tool from air supply before servicing.

Cleaning

Clean dust and debris from tool vents. Keep tool handles clean, dry and free of oil or grease. Use only mild soap and a damp cloth to clean the tool, since certain cleaning agents and solvents are harmful to plastics and other parts. Some of these include gasoline, turpentine, lacquer thinner, paint thinner, chlorinated cleaning solvents, ammonia and household detergents containing ammonia. Never use flammable or combustible solvents around tools.

Cold Weather Operation

For cold weather operation, near and below freezing, the moisture in the air line may freeze and prevent tool operation. Use an air tool lubricant or permanent antifreeze as a cold weather lubricant in the air line.

Do not store tools in a below-freezing environment. Ice or frost could form on the tools' operating valves and mechanisms, causing tool failure.

Air Supply-Pressure and Volume

Air volume is as important as air pressure. The air volume supplied to the tool may be inadequate because of undersized fittings and hoses, or from the effects of dirt and water in the system. Restricted air flow will prevent the tool from receiving an adequate volume of air, even though the pressure reading is high. The results will be slow operation or reduced driving power. Before evaluating tool problems for these symptoms, trace the air supply from the tool to the supply source for restrictive connectors, low points containing water and anything else that would prevent full volume flow of air to the tool.

FIVE YEAR TOOL LIMITED WARRANTY

Every *MILWAUKEE* tool is tested before leaving the factory and is warranted to be free from defects in material and workmanship. *MILWAUKEE* will repair or replace (at *MILWAUKEE*'s discretion), without charge, any tool (including battery chargers) which examination proves to be defective in material or workmanship for five (5) years after the date of purchase. Return the tool and a copy of the purchase receipt or other proof of purchase to a *MILWAUKEE* Factory Service/Sales Support Branch location or *MILWAUKEE* Authorized Service Station, freight prepaid and insured. This warranty does not cover damage from repairs made or attempted by other than *MILWAUKEE* authorized personnel, misuse, alterations, abuse, normal wear and tear, lack of maintenance, or accidents. Certain parts of certain tools, such as but not limited to o-rings, seals, bumpers, and driver blades for *MILWAUKEE* nailers and stapling tools, are considered normal wear and tear items not covered by this warranty.

The warranty period for Li-Ion Battery Packs is two (2) years from the date of purchase. The warranty period for Ni-Cd Battery Packs, Flashlights, Radios, and Professional Hoists (lever, chain, and electric) is one (1) year from the date of purchase.

THE REPAIR AND REPLACEMENT REMEDIES DESCRIBED HEREIN ARE EXCLUSIVE. IN NO EVENT SHALL *MILWAUKEE* BE LIABLE FOR ANY INCIDENTAL, SPECIAL, OR CONSEQUENTIAL DAMAGES OR FOR ANY EXPENSES, LOSSES OR DELAYS INCIDENTAL TO ANY DAMAGE TO, FAILURE OF, OR DEFECT IN ANY PRODUCT, INCLUDING BUT NOT LIMITED TO LOSS OF PROFITS.

THIS WARRANTY IS EXCLUSIVE AND IN LIEU OF ALL OTHER WARRANTIES, OR CONDITIONS, WRITTEN OR ORAL, EXPRESS OR IMPLIED. WITHOUT LIMITING THE GENERALITY OF THE FOREGOING, *MILWAUKEE* DISCLAIMS ANY IMPLIED WARRANTY OF MERCHANTABILITY OR FITNESS FOR A PARTICULAR USE OR PURPOSE AND ALL OTHER IMPLIED WARRANTIES.

This warranty gives you specific legal rights. You may also have other rights that vary from state to state and province to province. In those states that do not allow the exclusion of implied warranties or limitation of incidental or consequential damages, the above limitations or exclusions may not apply to you. This warranty applies to the United States, Canada, and Mexico only.

ACCESSORIES



WARNING

Always disconnect the air supply from the tool and remove fastener strips before changing or removing accessories. Only use accessories specifically recommended for this tool. Others may be hazardous.

For a complete listing of accessories refer to your *MILWAUKEE* Electric Tool catalog or go on-line to www.milwaukeetool.com. To obtain a catalog, contact your local distributor or a service center.

Use *MILWAUKEE* fasteners with the following specifications:

Length: 0.375" to 1.5"
Collation Angle: 0°
Staple Crown Width: 1/4"

Quick Connectors

INSTRUCTIONS D'ENTRETIEN GÉNÉRALES



DANGER

CONSIGNES DE SÉCURITÉ IMPORTANTES. CONSERVER CES INSTRUCTIONS RELATIVES À UN RISQUE DE BLESSURES GRAVES, VOIRE MORTELLES.



AVERTISSEMENT

LORS DE L'UTILISATION D'OUTILS, DES PRÉCAUTIONS DE BASE DOIVENT TOUJOURS ÊTRE SUIVIES, Y COMPRIS LES SUIVANTES:

GÉNÉRALITÉS

1. **Pour limiter les risques de blessures, lire toutes** les instructions figurant dans ce document avant d'utiliser l'outil.

AIRE DE TRAVAIL

2. **Maintenir l'aire de travail dans un bon état de propreté générale et bien éclairé.** Le risque de blessures est d'autant plus important sur les établis encombrés et dans les zones sombres.
3. **Ne pas utiliser l'outil dans des environnements explosifs, tels qu'en présence de liquides, de gaz et de poussières inflammables.** L'outil pourrait provoquer des étincelles qui risqueraient d'enflammer les poussières ou les fumées.
4. **Veiller à ce que personne, visiteur ou enfant, ne se tienne à proximité de l'aire de travail pendant l'utilisation de l'outil.** Des distractions pourraient entraîner une perte de contrôle de l'outil.
5. **Bien savoir ce qui se trouve derrière la pièce sur laquelle l'opération est réalisée.** Une attache pourrait traverser la pièce et ressortir de l'autre côté, risquant ainsi de blesser grièvement une personne qui se tiendrait à proximité.

6. **DANGER. Éviter toute opération au cours de laquelle l'attache pourrait entrer en contact avec un câblage caché.** Tout contact avec un fil sous tension aurait un effet conducteur avec les parties métalliques exposées de l'outil qui risquerait de provoquer un choc à l'opérateur et de causer ainsi des blessures graves, voire mortelles. S'assurer de la sécurité de l'environnement de travail; pour ce faire, contacter un électricien.

SÉCURITÉ INDIVIDUELLE

7. **Se tenir sur ses gardes.** Lors de l'utilisation de l'outil, ne pas le quitter des yeux et faire preuve de bon sens. Ne pas l'utiliser sous l'effet de la fatigue ou sous l'influence de drogues, d'alcool ou de médicaments. Tout moment d'inattention décuple les risques de blessures pour les personnes se tenant aux alentours.
8. **Porter une tenue appropriée.** Ne pas porter de vêtements amples ou de bijoux pendants. S'attacher les cheveux s'ils sont longs. Ne pas approcher les cheveux, les vêtements, les bijoux et les gants des pièces en mouvement. Pris dans les pièces en mouvement, ils décuplent le risque de blessures possible.

9. **Éviter tout démarrage accidentel. Sauf pour enfoncer une attache, ne jamais laisser le doigt sur la gâchette.** Avant de brancher l'outil à la prise d'air, s'assurer que la gâchette n'est pas activée. Ne pas transporter l'outil en laissant le doigt sur la gâchette et ne pas le connecter à la prise d'air si la gâchette est activée.
10. **Ne pas se pencher de manière excessive.** Garder un bon équilibre et une bonne posture à tout instant afin de bénéficier d'un meilleur contrôle de l'outil en cas de situation imprévue.
11. **Utiliser un équipement de sécurité.** Lorsque les conditions l'exigent, le port d'un masque de protection contre la poussière, de chaussures de sécurité antidérapantes et d'un casque de chantier réduit le risque de blessures.
12. **L'opérateur et toutes les personnes se tenant dans l'aire de travail doivent porter un masque de protection** conformément à la norme ANSI Z87.1. Le masque de protection ne s'adapte pas de la même façon sur tous les opérateurs. Veiller à ce que la protection choisie dispose de protections latérales et soit en mesure de parer les débris volants projetés à l'avant ou sur les côtés. Il incombe à l'opérateur de veiller à ce que l'opérateur et les autres personnes présentes dans l'aire de travail se munissent d'un masque. Lorsque la situation l'exige, porter un casque de protection conformément à la norme ANSI Z89.1.
13. **En cas d'utilisation prolongée de l'outil, toujours se munir d'un casque auditif.** De longues périodes d'exposition à des bruits haute intensité pourraient entraîner une perte auditive.
14. **Lors de l'ascension d'échelles ou d'échafaudages, ne pas transporter de conduite d'air ni d'outil relié à une conduite d'air. Lors d'opérations réalisées en altitude, ne pas attacher contre soi de conduite d'air ou d'outil relié à une conduite d'air.** La fixer à la structure métallique afin de réduire les risques de perte d'équilibre et les blessures causées par le mouvement éventuel de la conduite.

15. **Toujours présumer que l'outil contient des attaches.** Ne pas pointer l'outil vers soi ou vers quiconque, qu'il contienne des attaches ou non.
16. **Ne pas enfoncer de clou sur un autre clou.** Ceci pourrait provoquer la déviation du clou et blesser quelqu'un ou entraîner une réaction de l'outil qui risquerait de blesser l'opérateur ou les personnes se tenant à proximité.

UTILISATION CORRECTE DE L'OUTIL

17. **Utiliser des pinces ou d'autres moyens appropriés pour fixer et soutenir la pièce de travail sur une plate-forme stable.** Un maintien de la structure à la main ou contre soi, en plus d'être instable, risquerait de provoquer une perte de contrôle.
18. **Ne pas forcer l'outil.** Utiliser l'outil adapté à l'application. Il permettra de mieux réaliser le travail et ce, de façon plus sûre et à la vitesse prévue pour l'outil.
19. **Ne pas utiliser l'outil si la gâchette ne l'active ou ne le désactive pas.** Considérer comme dangereux tout outil dont la gâchette n'assure pas le contrôle et le faire réparer.
20. **Déconnecter l'outil de la prise d'air et vider le réservoir avant d'effectuer tout réglage, de réaliser l'entretien de l'outil, de dégager toute pièce bloquée, de toucher le point de contact sur la pièce de bois ou de quitter l'aire de travail.** Avant de réaliser ces opérations, vérifier que l'outil est vide et que toute pression a été dissipée afin de réduire les risques de blessures possibles.
21. **Ranger les outils hors de portée des enfants et d'autres personnes inexpérimentées.** Tout outil constitue un danger entre les mains d'utilisateurs non formés.
22. **Effectuer régulièrement et soigneusement l'entretien de l'outil.** Un entretien correct permet de minimiser le risque de blessures causées par l'outil. En cas de chute, de coup, d'écrasement, etc. de l'outil, réaliser la procédure de «Tests quotidiens requis» avant de le réutiliser.

23. Vérifier que les pièces en mouvement sont correctement alignées et qu'elles ne grippent pas, qu'aucune pièce n'est cassée et qu'il n'existe aucun élément susceptible d'affecter le fonctionnement de l'outil. S'il est endommagé, effectuer l'entretien de l'outil avant de le réutiliser. De nombreux accidents sont provoqués par des outils dont l'entretien n'a pas été effectué correctement. Les dommages subis par un outil augmentent le risque d'explosion de ce dernier.
24. **Utiliser uniquement les attaches recommandées.** L'utilisation d'attaches non recommandées pour cet outil par son fabricant risquerait de provoquer des blessures ou d'endommager l'outil. Voir la section «Spécifications» pour les exigences applicables aux attaches.
25. **Utiliser uniquement des accessoires spécifiés par le fabricant pour le modèle d'outil en question.** L'utilisation d'un accessoire non recommandé pour un modèle particulier pourrait décupler le risque de blessures éventuelles.

ENTRETIEN

26. a) L'entretien de l'outil doit être réalisé uniquement par un personnel de réparation qualifié.
- b) La clé fournie sert à serrer les vis pendant « l'essai quotidien obligatoire ».
- c) N'utiliser que des pièces de remplacement identiques recommandées par le fabricant.
27. **N'utiliser que les lubrifiants fournis avec l'outil ou spécifiés par le fabricant.** Ne pas utiliser d'autres lubrifiants pour ne pas endommager l'outil. Consulter la liste des lubrifiants pour outils pneumatiques dans la section « Accessoires ».

PRISE D'AIR

28. **DANGER: Ne pas utiliser d'oxygène, de gaz combustibles ou de gaz en bouteille** pour faire fonctionner cet outil. Ceci provoquera l'explosion de l'outil et provoquera des blessures graves, voire mortelles.
29. **Ne jamais connecter l'outil à une prise d'air pouvant dépasser 13,8 BAR.** Une pressurisation excessive de l'outil pourrait entraîner l'éclatement, un fonctionnement anormal ou une défaillance de l'outil, et pourrait blesser l'opérateur ainsi que les personnes se tenant à proximité. Utiliser uniquement de l'air comprimé propre, sec et régulé à la pression nominale ou dans la plage de pression nominale indiquée sur l'outil. Avant d'utiliser l'outil, toujours vérifier que la prise d'air a été ajustée à la pression d'air nominale ou qu'elle est comprise dans la plage de pression d'air nominale. Les compresseurs pneumatiques doivent être conformes à la norme ANSI B19.3.

INSTRUCTIONS D'ENTRETIEN SPÉCIFIQUES

1. **Utiliser des conduites de prise d'air d'une pression nominale minimale de 13,8 BAR.**
2. **Limiter la pression de l'air dirigée vers l'outil à l'aide de régulateurs de pression réglés à 8,3 BAR maximum.**
3. **Installer uniquement des raccords qui permettront de dissiper toute la pression de l'outil une fois celui-ci déconnecté de la prise d'air.** L'installation d'un mauvais raccord pourrait laisser une pression résiduelle dans l'outil une fois déconnecté, et permettre ainsi l'introduction d'une attache, risquant ainsi de causer des blessures.
4. **Avant chaque utilisation, vérifier que l'élément de contact avec la pièce de bois et la gâchette fonctionnent correctement.** Ne pas démonter ou fixer des éléments de contact, de la gâchette ou du mécanisme d'insertion. Ceci causerait un fonctionnement inattendu, causant de graves blessures.
5. **Ne jamais diriger la zone de décharge de l'outil vers une partie du corps ou vers quelqu'un.** Toujours présumer que l'outil est chargé et capable de libérer une attache.
6. **Ne pas actionner l'outil à l'air libre.** Ne pas se chamailler ni jouer avec l'outil. Les attaches qu'il décharge consistent des projectiles capables de causer de graves blessures.
7. **Avant d'actionner l'outil, s'assurer que l'élément de contact avec la pièce de bois est bien appuyé contre cette dernière.** Maintenir fermement l'outil et s'apprêter à contrer la force de retour.
8. **Ne pas retirer les commandes de fonctionnement, interférer avec celles-ci ou les empêcher de toute autre façon de fonctionner correctement.** Ceci causerait un fonctionnement inattendu, causant de graves blessures.
9. **Ne pas utiliser l'outil si la moindre de ses commandes de fonctionnement ne fonctionne pas correctement,** est déconnectée, modifiée ou défectueuse. Ceci causerait un fonctionnement inattendu, causant de graves blessures.
10. **Ne jamais approcher les mains et le corps de la zone de décharge de l'outil.** Ne jamais déblocage d'un élément de commande de fonctionnement en tenant la zone de décharge de l'outil. Les attaches déchargées par l'outil peuvent causer de graves blessures si elles touchent les mains ou le corps.
11. **Ne pas enfoncer d'attache près du bord de la pièce de bois.** Les attaches peuvent glisser et ressortir des coins et des rebords ou pénétrer à travers des matériaux très fins, en faisant des projectiles capables de causer de graves blessures.
12. **Utiliser l'outil uniquement à ses fins prévues. S'en servir correctement.** Ne pas s'en servir comme d'un marteau, graver ou estampiller d'informations sur les pièces, le faire tomber ou le soumettre à des chocs, ou appliquer une force excessive de toute autre nature sur l'outil utilisé. Ne pas monter l'outil sur des cales ou le modifier afin de le rendre stationnaire.
13. **Ne pas transporter l'outil en le tenant par la conduite d'air.** Le transporter uniquement par la poignée, avec le doigt HORS de la gâchette.
14. **Ne pas utiliser cet outil si l'étiquette de sécurité n'est pas en place.** Si l'étiquette est endommagée ou manquante, contacter **MILWAUKEE** pour obtenir gratuitement un exemplaire de rechange.

TERMINOLOGIE

Actionner

Provoquer le mouvement du ou des composant(s) de l'outil permettant d'insérer une attache.

Dispositif d'actionnement

Utilisation d'une gâchette, d'un élément de contact avec la pièce de bois et/ou d'une commande de fonctionnement, de façon séparée, combinée ou successive, en vue d'actionner l'outil.

• Actionnement en séquence

Un fonctionnement du système qui nécessite l'activation de l'élément de contact puis de la gâchette dans une séquence particulière pour insérer une attache. L'outil peut être actionné à nouveau lorsque la gâchette est relâchée puis réactivée.

• Activation par contact

Un fonctionnement du système qui nécessite l'activation de l'élément de contact et de la gâchette dans n'importe quelle séquence pour insérer une attache. L'outil peut être actionné à nouveau lorsque l'élément de contact ou la gâchette est relâché(e) et réactivé(e).

• Actionnement par sélection

Dispositif d'actionnement permettant la sélection des dispositifs d'actionnement en séquence ou par contact.

Attache

Une agrafe, une broche, un clou, une pointe ou un autre type d'attache conçu et fabriqué pour une utilisation avec ces outils.




Blocage

Obstruction dans les zones d'alimentation ou d'insertion de l'outil.

Élément de contact avec la pièce de bois

Un élément de commande de fonctionnement de l'outil activé par la pièce de bois à solidariser.

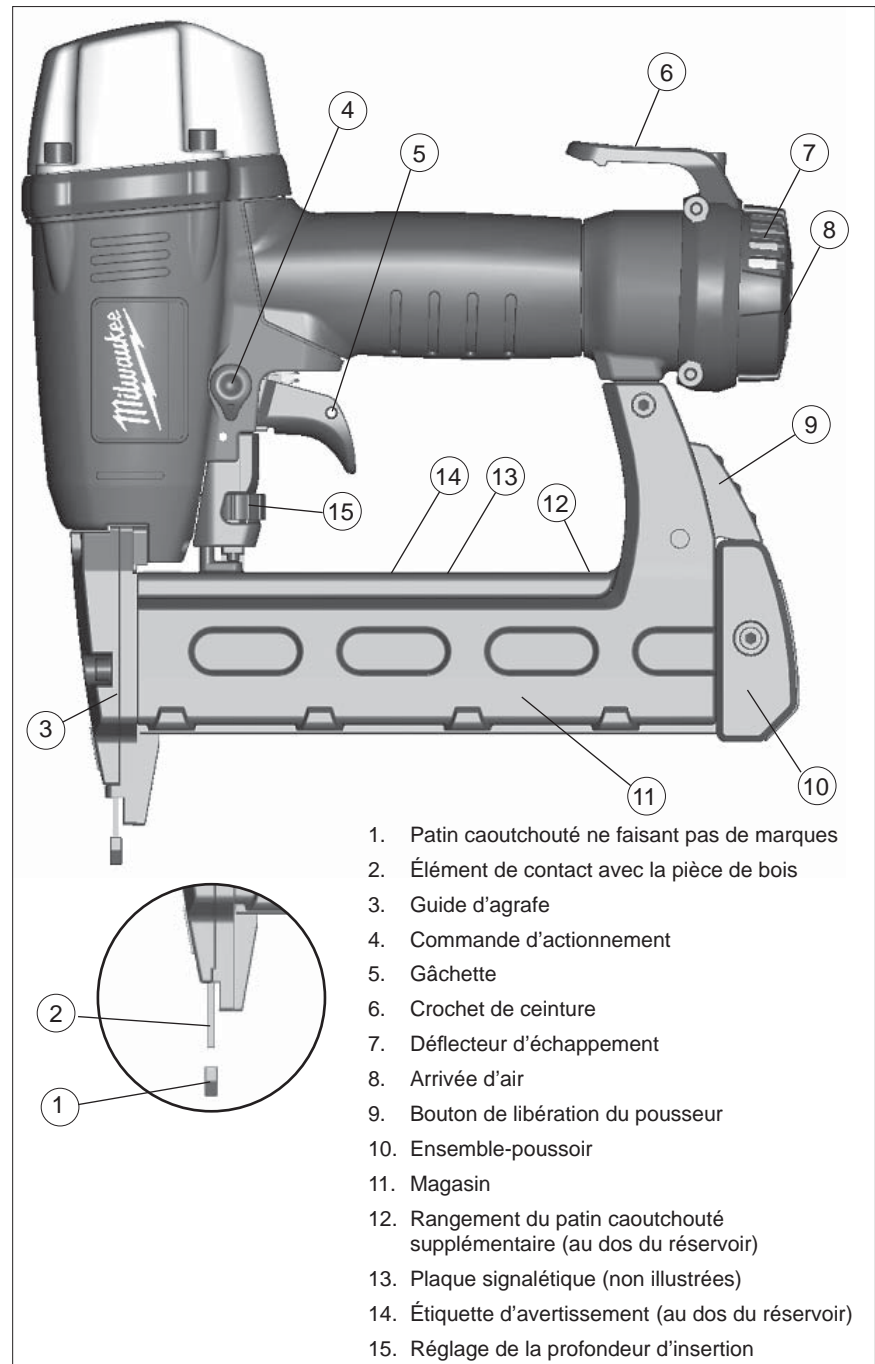
Pictographie

	Lire le manuel de l'opérateur
	Porter un masque de protection
	Ne pas approcher les mains

Spécifications

No de cat.	Pression de fonctionnement	Longueur de l'attache	Angle d'assemblage	Pour agrafes étroites	Consommation d'air	Prise d'air	Contenance du réservoir
7155-21	4,8 BAR min. 8,3 BAR max.	9,5 mm min. 38,1 mm max.	0 °	6,4 mm	0,85 L/cycle à 6,9 BAR	1/4 pouce NPT	101 agrafes

DESCRIPTION FONCTIONNELLE



MONTAGE

AVERTISSEMENT

Déconnecter la prise d'air de l'outil et enlever les bandes d'attaches avant de remplacer ou d'enlever les accessoires. N'utiliser que les accessoires spécifiquement recommandés pour cet outil par son fabricant. Les autres accessoires peuvent présenter des dangers.

L'opérateur et toutes les personnes se tenant dans l'aire de travail doivent porter un masque de protection conformément à la norme ANSI Z87.1. Le masque de protection ne s'adapte pas de la même façon sur tous les opérateurs. Veiller à ce que la protection choisie dispose de protections latérales et soit en mesure de parer les débris volants projetés à l'avant ou sur les côtés.

Patin caoutchouté

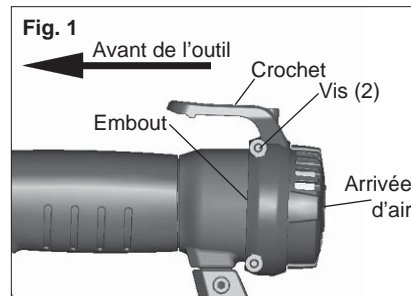
Le patin anti-marques présent sur l'embout de l'outil protège la pièce de bois lorsque le contact avec la pièce de bois est compressé lors du fonctionnement. Ce patin peut être retiré et remplacé.

1. Avant d'enlever ou de remplacer les coussinets antimarques, déconnecter la prise d'air de l'outil et enlever les bandes d'attaches.
2. Pour **retirer** le patin, ouvrez-le en l'éloignant du contact de pièce.
3. Le réservoir de l'outil dispose d'un espace de rangement pour un patin supplémentaire.
4. To **remplacer** le patin, remettez-le en place au-dessus du contact de pièce.

Échappement

Le bouchon d'échappement peut être réglé pour diriger l'échappement comme souhaité. Tourner le bouchon d'échappement jusqu'à la position de verrouillage voulue.

Retrait et installation du crochet à ceinture



Retrait du crochet:

1. Faire tourner le crochet jusqu'à ce qu'il s'enclenche dans une des positions pré-réglées.
2. Retirer les deux vis de montage en utilisant la clé fournie.
3. Extraire le crochet de l'arrière de l'outil.

Installation du crochet:

1. Aligner le montant sous pression de ressort sur le crochet avec une fente sur l'arrière de l'outil.
2. Faire glisser le crochet sur l'outil, en s'assurant que le crochet est orienté vers l'avant de l'outil. Pousser le crochet vers le haut contre l'embout.
3. Installer les deux vis de montage en utilisant la clé fournie. Serrer fermement.
4. Vérifier que le crochet est correctement installé en tirant fermement le crochet vers l'arrivée d'air. Il ne doit pas bouger.

Connexion de la prise d'air

DANGER

Ne pas utiliser d'oxygène, de gaz combustibles ou de gaz en bouteille pour faire fonctionner cet outil. Ceci provoquera l'explosion de l'outil, qui entraînera des blessures graves, voire mortelles.

AVERTISSEMENT

Toujours utiliser un raccord dissipant tout l'air comprimé présent dans l'outil lors de la déconnexion du raccord ou de l'accouplement de la conduite. L'utilisation d'un raccord ne répondant pas à de telles spécifications pourrait provoquer un fonctionnement accidentel et causer de graves blessures.

Utiliser uniquement de l'air comprimé sec et propre sous une pression maximale de 13,8 BAR. Avant de raccorder l'outil à la prise d'air, vérifier que la jauge du régulateur du compresseur pneumatique fonctionne correctement, dans une plage comprise entre 4,8 et 8,3 BAR. Une pression pneumatique supérieure à 8,3 BAR peut causer des blessures et des dommages matériels. La pression correcte est la pression la plus basse qui permettra de réaliser l'opération.

Pour connecter la prise d'air:

1. Retirer le bouchon en plastique de la prise d'air de l'outil.
2. Insérer un raccord rapide de 1/4 pouce NPT dans la prise d'air de l'outil.

REMARQUE: Pour améliorer la qualité du joint entre le raccord et l'outil et empêcher la formation de rouille, appliquer du ruban ou une pâte PTFE sur le filetage du raccord avant de l'insérer.

3. Rattacher la conduite d'air au raccord rapide.
4. Vérifier l'absence de fuites d'air.

Installation des bandes d'attaches

AVERTISSEMENT

Toujours veiller à ce que le réservoir de l'outil soit VIDE avant de le raccorder à la prise d'air. L'outil pourrait être actionné lors de la connexion de l'outil à la prise d'air. Toujours connecter l'outil à la prise d'air avant de charger des clous afin d'éviter toute blessure causée par un enclenchement accidentel.

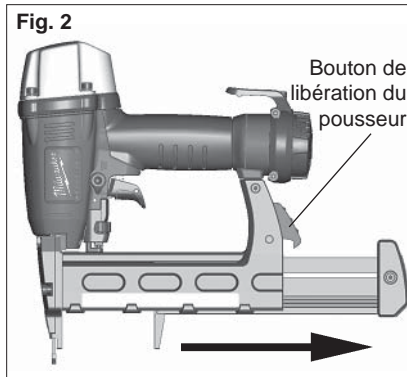
Lors de l'installation des attaches, toujours diriger l'outil en direction opposée à soi et aux personnes se tenant à proximité. Le non-respect de cette précaution pourrait provoquer des blessures.

Ne jamais installer d'attaches lorsque l'élément de contact avec la pièce de bois ou la gâchette est activé(e). Le non-respect de cette précaution pourrait provoquer des blessures.

N'utiliser que des attaches de taille, de longueur et d'angle d'assemblage corrects, comme indiqué sur la plaque signalétique de l'outil. Pour de plus amples informations concernant les attaches recommandées, consulter la section « Accessoires ». L'utilisation d'autres attaches pourrait provoquer le mauvais fonctionnement de l'outil et causer des blessures.

1. Coucher l'outil sur le côté et diriger l'embout de l'outil dans la direction opposée à soi et aux autres personnes se tenant à proximité.
2. Appuyez sur le bouton de dégagement du poussoir et faites glisser doucement l'ensemble-poussoir vers l'arrière. Ne laissez pas l'ensemble-poussoir glisser trop vite vers l'arrière.

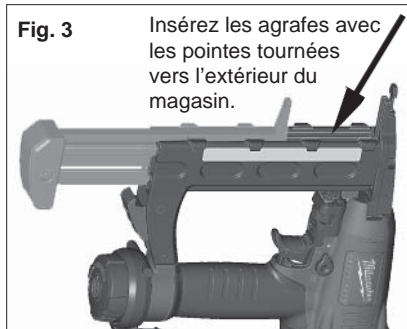
Fig. 2



3. S'assurer que le réservoir est vide puis brancher la prise d'air à l'outil.
4. Insérez des bandes d'agrafes dans le magasin avec les pointes des agrafes tournées vers l'extérieur.

REMARQUE : Utilisez uniquement des agrafes recommandées d'une taille et largeur correctes telles qu'indiquées sur la plaque signalétique de l'outil.

Fig. 3



5. Faites glisser l'ensemble-poussoir vers le nez de l'outil jusqu'à ce qu'il s'engage. Il peut être nécessaire de soulever légèrement le nez de l'outil pour bien installer les agrafes et refermer l'ensemble-poussoir.

REMARQUE : Si l'ensemble-poussoir ne se referme pas, la bande d'agrafes peut être à l'envers ou incorrectement installée dans le magasin.

Retrait des bandes d'attaches

AVERTISSEMENT

Pour éviter toute blessure grave, déconnecter l'outil de la prise d'air avant de retirer les bandes d'attaches ou de dégager une attache bloquée.

Ne pas approcher les doigts de la sortie du réservoir. Le poussoir pourrait provoquer des blessures par pincement au niveau des doigts.

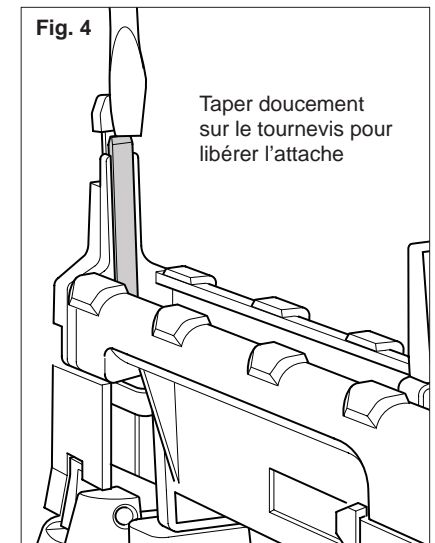
1. Coucher l'outil sur le côté et diriger l'embout de l'outil dans la direction opposée à soi et aux autres personnes se tenant à proximité.
2. Débrancher la prise d'air de l'outil.
3. Placez votre main sur l'embout de l'ensemble-poussoir avant d'appuyer sur le bouton de dégagement du poussoir. Appuyez sur le bouton de dégagement du poussoir et faites glisser doucement l'ensemble-poussoir vers l'arrière. Ne laissez pas l'ensemble-poussoir glisser trop vite vers l'arrière.
4. Abaissez le nez de l'outil pour retirer la bande d'agrafes de l'outil.
5. Recharger selon la procédure indiquée à la section « Installation des bandes d'attaches ».

Déblochage d'une attache

La plupart des blocages sont causés par une attache se coinçant en totalité ou en partie entre la lame du pilote et le guide de clous (embout). Des bandes d'attaches à angle d'assemblage incorrect ou un type incorrect d'attaches (telles des attaches à tête ronde) peuvent causer un enrayage continu. Pour débloquer l'outil:

1. Coucher l'outil sur le côté et diriger l'embout de l'outil dans la direction opposée à soi et aux autres personnes se tenant à proximité.
2. Débrancher la prise d'air de l'outil et retirer la bande d'attaches. Laissez l'ensemble-poussoir ouvert.
3. Enlevez les débris.
4. Introduire un tournevis dans l'extrémité du guide de clous. L'embout du tournevis doit être en contact avec l'embout de la lame du pilote.
5. Taper doucement sur le tournevis à l'aide d'un marteau. Le tournevis poussera la lame du pilote vers l'arrière et libérera l'obstruction.
6. Retirer l'attache (en utilisant une pince à becs fins si nécessaire) et les autres débris.
7. Avant de recommencer à travailler, suivre la procédure de « Tests quotidiens requis ».

Fig. 4



FONCTIONNEMENT

AVERTISSEMENT

L'opérateur et toutes les personnes se tenant dans l'aire de travail doivent porter un masque de protection conformément à la norme ANSI Z87.1. Le masque de protection ne s'adapte pas de la même façon sur tous les opérateurs. Veiller à ce que la protection choisie dispose de protections latérales et soit en mesure de parer les débris volants projetés à l'avant ou sur les côtés. Il incombe au responsable de veiller à ce que l'opérateur et les autres personnes présentes dans l'aire de travail se munissent d'un masque. Lorsque la situation l'exige, porter un casque de protection conformément à la norme ANSI Z89.1.

Sélection du mode d'actionnement

La gâchette peut être réglée en mode d'actionnement en séquence ou en mode d'actionnement par contact.

Fig. 5



Fig. 6



1. Enfoncez la commande d'actionnement et la maintenir enfoncée.
2. Placer la commande en position d'actionnement en séquence (T) ou en position d'actionnement par contact (TTT).
3. Relâcher la commande d'actionnement.

REMARQUE: S'assurer que la commande est bien enclenchée en position. Avant d'utiliser les différents modes, bien comprendre le processus d'actionnement.

AVERTISSEMENT

Pour réduire le risque de blessures pour soi-même comme pour les autres, vérifier l'outil tous les jours avant de commencer à travailler, selon les instructions figurant à la section «Tests quotidiens requis».

Ne pas utiliser l'outil sans avoir auparavant compris en détail le mode d'actionnement sélectionné.

Avant de quitter l'aire de travail, de déplacer l'outil ou de passer l'outil à quelqu'un d'autre, déconnecter l'outil de la prise d'air. Le non-respect de cette précaution pourrait provoquer des blessures graves.

Lors de l'ascension d'échelles ou d'échafaudages, ne pas transporter de conduite d'air ni d'outil relié à une conduite d'air. Lors d'opérations réalisées en altitude, ne pas attacher contre soi de conduite d'air ou d'outil relié à une conduite d'air. La fixer à la structure métallique afin de réduire les risques de perte d'équilibre et les blessures causées par le mouvement éventuel de la conduite.

Mode d'actionnement en séquence

1. Tenir fermement le manche.
2. Positionner l'embout de l'outil sur la surface de travail.
3. Presser l'outil contre la surface de travail. L'élément de contact de la pièce de bois est ainsi comprimé.
4. Appuyer sur la gâchette pour insérer l'attache. Lors de l'insertion de l'attache, l'outil dégagera une force de résistance émise par la pièce de bois.
5. Retirer le doigt de la gâchette et éloigner l'outil de la pièce de bois.

REMARQUE : Si l'outil n'est pas enlevé de la pièce à travailler, une autre bande peut être entraînée si la gâchette est déclenchée à nouveau.

Mode de fonctionnement par contact

1. Tenir fermement le manche.
2. Appuyer sur la gâchette et la maintenir enfoncée.
3. Presser l'outil contre la surface de travail. L'élément de contact de la pièce de bois est ainsi comprimé et l'attache est introduite. Lors de l'insertion de l'attache, l'outil dégagera une force de résistance émise par la pièce de bois.

REMARQUE: L'actionnement par contact pourra également être réalisé en comprimant d'abord l'élément de contact contre la pièce de bois, puis en appuyant sur la gâchette.

Indicateur de recharge

Pour indiquer que le magasin ne contient presque plus de bandes d'attaches (0 ou 1 seulement), le contact de la pièce de bois ne se comprime pas, empêchant le fonctionnement sous la pression normale. Installer plus d'attaches pour continuer à travailler.

AVERTISSEMENT

NE JAMAIS bloquer ou retourner le mécanisme d'élément de contact de la pièce de bois pendant le fonctionnement de l'outil. Ne jamais déblocage d'une élément de commande de fonctionnement en tenant la zone de décharge de l'outil. Ceci pourrait causer de graves blessures.

Pour éviter toute blessure grave, ne pas chercher à contenir la force de retour en maintenant l'outil trop fermement contre la pièce de bois. Maintenez le visage et le corps partis de l'outil. En fonctionnement normal, l'outil exercera une force de retour immédiatement après l'insertion de l'attache. Il s'agit d'une réaction normale de l'outil. La prévention de la force de retour peut entraîner l'insertion d'une deuxième attache lorsque l'outil est en mode d'actionnement par contact. Tenir fermement le manche et laisser l'outil agir. Ne pas poser une deuxième main sur l'appareil ou à proximité de l'échappement.

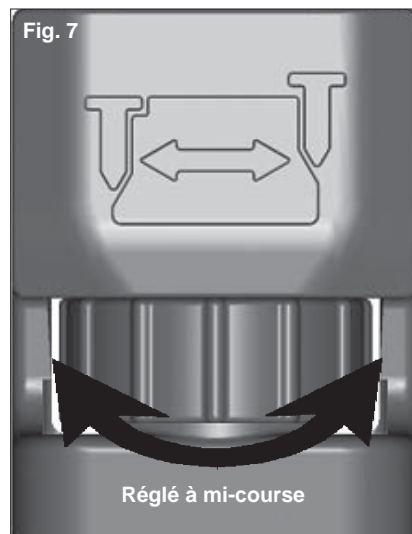
Réglage de la pression d'air et de la profondeur d'insertion

La pression d'air requise dépend de la taille de l'attache et du matériau de la pièce de bois.

AVERTISSEMENT

Bien savoir ce qui se trouve derrière la pièce sur laquelle l'opération est réalisée. Une attache pourrait traverser la pièce et ressortir de l'autre côté, risquant ainsi de blesser grièvement une personne qui se tiendrait à proximité. Pour empêcher que l'attache ne soit insérée complètement au travers de la pièce de bois, réduire la pression d'air et/ou la profondeur d'insertion.

1. Coucher l'outil sur le côté et diriger l'embout de l'outil dans la direction opposée à soi et aux autres personnes se tenant à proximité.
2. Débrancher la prise d'air de l'outil et retirer la bande d'attaches.
3. Régler ensuite la profondeur d'insertion à mi-course.
4. Recharger la bande d'attaches selon la procédure indiquée à la section « Installation des bandes d'attaches ».



5. Vérifier la profondeur d'insertion en introduisant une attache de test dans une pièce de bois fabriquée dans le même matériau que celle qui sera utilisée pour l'opération réelle, sous une pression de 6,2-6,6 BAR.
 6. Régler la pression d'air afin de déterminer le réglage minimum permettant d'introduire correctement l'attache. Ne pas dépasser 8,3 BAR.
- REMARQUE:** La profondeur désirée peut être obtenue en réalisant uniquement des réglages de pression d'air. Pour réaliser des réglages plus précis, ajuster la profondeur d'insertion.
7. Pour ajuster la profondeur d'insertion, déconnecter la prise d'air, coucher l'outil sur le côté et diriger l'embout en direction opposée à soi et aux autres personnes se tenant à proximité. Enlever la bande d'attaches. Tourner la commande de profondeur vers la gauche ou la droite pour augmenter ou réduire la profondeur d'insertion.
 8. Recharger la bande d'attaches selon la procédure indiquée à la section « Installation des bandes d'attaches ».
 9. Insérer une attache d'essai et répéter les étapes 7 et 8 jusqu'à obtenir la profondeur désirée.

TESTS QUOTIDIENS REQUIS

AVERTISSEMENT

Pour réduire le risque de blessures pour soi comme pour les personnes se tenant à proximité, tester l'outil tous les jours avant de commencer à travailler ou en cas de chute, de coup, d'écrasement, etc. de l'outil. Réaliser les vérifications suivantes DANS L'ORDRE INDIQUÉ. Si l'outil ne fonctionne pas correctement, contacter immédiatement un agent de réparation MILWAUKEE.

Toujours diriger l'outil en direction opposée à soi et aux autres.

1. Débrancher la prise d'air de l'outil et retirer la bande d'attaches.
2. Vérifier toutes les vis et tiges de même que tous les boulons et écrous sur l'outil. Visser toutes les attaches lâches.
3. Appuyez sur le bouton de dégagement du poussoir et faites glisser l'ensemble-poussoir vers l'arrière (pour ignorer l'indicateur de recharge). Appuyez le contact de pièce contre une pièce à travailler. Il doit se déplacer en toute fluidité. Le mouvement doit se faire naturellement.
4. Le contact étant appuyé contre la pièce à travailler, appuyez sur la gâchette. Le mouvement doit se faire naturellement.
5. Connecter la prise d'air (à 4,8 BAR) à l'outil. NE PAS charger de bande d'attaches.
6. Sélectionner le mode d'actionnement en séquence. Aucune quantité d'air ne doit s'échapper de l'outil.
Sans presser sur la détente, appuyez le contact de pièce contre une pièce à travailler. L'outil ne doit pas fonctionner.
En tenant le contact de pièce loin de la pièce à travailler, pressez et maintenez la détente enfoncée pendant 5 secondes. L'outil ne doit pas être en marche. L'outil ne doit pas fonctionner.
Continuer à tirer sur la gâchette et pousser l'élément de contact contre la pièce de bois. L'outil ne doit pas fonctionner.
Sans presser sur la détente, appuyez le contact de pièce contre une pièce à travailler. Tirer sur la gâchette. L'outil doit fonctionner.
Relâcher la gâchette. Le pilote doit se relever.
7. Sélectionner le mode d'actionnement par contact.
En tenant le contact de pièce loin de la pièce à travailler, pressez la détente. L'outil ne doit pas être en marche.
Continuer à tirer sur la gâchette et pousser l'élément de contact contre la pièce de bois. L'outil doit fonctionner.
8. Si tous les tests ci-dessus indiquent un fonctionnement correct, régler l'outil pour l'opération à réaliser. Sélectionner le mode et charger les bandes d'attache.
9. Régler la profondeur d'insertion conformément aux instructions de la section « Réglage de la pression de l'air et de la profondeur d'insertion ».
10. Si tous les tests indiquent un fonctionnement correct, l'outil est prêt à être utilisé. Répéter ces tests tous les jours avant d'utiliser l'outil ou en cas de chute, de coup, d'écrasement, d'enrayage, etc. de l'outil.

ENTRETIEN



AVERTISSEMENT

Pour réduire le risque de blessures, utiliser uniquement des pièces de rechanges identiques recommandées par le fabricant. L'entretien de l'outil doit être réalisé uniquement par un personnel de réparation qualifié. Lors de l'entretien des outils, toujours porter des lunettes de sécurité ou un masque de protection doté de protections latérales. Avant d'effectuer l'entretien, déconnecter l'outil de la prise d'air.

Nettoyage

Nettoyer la poussière et les débris des événements de l'outil. Maintenir les poignées de l'outil propres, sèches et exemptes de graisse ou d'huile. Nettoyer l'outil uniquement à l'aide d'un savon doux et d'un chiffon humide car certains agents et solvants de nettoyage sont nocifs pour le plastique et les autres pièces, notamment: essence, essence de térébenthine, diluant pour vernis, diluant pour peintures, solvant chloré, ammoniaque et détergents ménagers contenant de l'ammoniaque. Ne jamais utiliser de solvants inflammables ou combustibles à proximité d'outils.

Fonctionnement par temps froid

Par temps froid, en cas de gel ou de températures avoisinantes, l'humidité contenue dans la conduite d'air pourrait geler et empêcher le fonctionnement de l'outil. Pour graisser l'outil par temps froid, verser du lubrifiant pour outil pneumatique ou un antifigel toutes saisons dans la conduite d'air.

Ne pas remiser d'outils dans un endroit dont la température est inférieure au point de gel. Du givre ou de la glace pourrait se former sur les soupapes et les mécanismes de fonctionnement des outils et provoquer la défaillance des outils.

Prise d'air - Pression et volume

Le volume d'air est aussi important que la pression. Des raccords et des conduites inadaptés, l'effet de la saleté ou la présence d'eau dans le système peuvent entraîner une arrivée d'air en volume inadéquat. Une restriction du débit d'air empêchera l'outil de recevoir le volume d'air adéquat, même si la jauge de pression indique une pression élevée. Ceci ralentira le fonctionnement et affectera la puissance d'insertion. Avant d'évaluer les problèmes éventuels pouvant causer de tels symptômes au niveau de l'outil, vérifier que la conduite reliant la prise d'air à l'outil ne présente aucun des éléments suivants: connecteurs bouchés, présence d'eau à certains endroits et tout autre élément pouvant restreindre le débit d'air en direction de l'outil.

GARANTIE LIMITÉE DE L'OUTIL DE CINQ ANS

Tout outil MILWAUKEE est testé avant de quitter l'usine et est garanti exempt de vice de matériau ou de fabrication. MILWAUKEE réparera ou remplacera (à la discrétion de MILWAUKEE), sans frais, tout outil (y compris les chargeurs de batterie) dont l'examen démontre le caractère défectueux du matériau ou de la fabrication dans les cinq (5) ans suivant la date d'achat. Retourner l'outil et une copie de la facture ou de toute autre preuve d'achat à une branche Entretien usine/Assistance des ventes de l'établissement MILWAUKEE ou à un centre d'entretien agréé par MILWAUKEE, en port payé et assuré. Cette garantie ne couvre pas les dommages causés par les réparations ou les tentatives de réparation par quiconque autre que le personnel agréé par MILWAUKEE, les utilisations incorrectes, les altérations, les utilisations abusives, l'usure normale, les carences d'entretien ou les accidents. Certaines pièces de certains outils, telles que notamment les joints toriques, les joints, les amortisseurs ou les lames du pilote pour les cloueuses et les agrafeurs sont considérées comme des pièces d'usure, non couvertes par cette garantie.

La période de garantie pour les batteries Li-Ion est de deux (2) ans à compter de la date d'achat. La période de garantie pour les batteries Ni-Cd, les lampes torches, les radios et les palans professionnels (levier, chaîne et composants électriques) est d'un (1) an à compter de la date d'achat.

LES SOLUTIONS DE RÉPARATION ET DE REMPLACEMENT DÉCRITES PAR LES PRÉSENTES SONT EXCLUSIVES. EN AUCUN CAS MILWAUKEE NE SAURAIT ÊTRE RESPONSABLE DE TOUT DOMMAGE ACCESSOIRE, SPÉCIAL OU INDIRECT OU DE TOUTE DÉPENSE, PERTE OU DÉLAIS ACCESSOIRES À TOUT DOMMAGE, DÉFAILLANCE OU DÉFAUT DE TOUT PRODUIT, Y COMPRIS NOTAMMENT LES PERTES DE PROFIT.

CETTE GARANTIE EST EXCLUSIVE ET REMPLACE TOUTE AUTRE GARANTIE OU CONDITION, ÉCRITE OU VERBALE, EXPRESSE OU IMPLICITE. SANS LIMITER LA GÉNÉRALITÉ DES DISPOSITIONS PRÉCÉDENTES, MILWAUKEE DÉCLINE TOUTE GARANTIE IMPLICITE DE QUALITÉ MARCHANDE OU D'ADAPTATION À UNE UTILISATION OU À UNE FIN PARTICULIÈRE ET TOUTE AUTRE GARANTIE IMPLICITE.

Cette garantie vous donne des droits particuliers. Vous pouvez aussi bénéficier d'autres droits variant d'un état à un autre et d'une province à une autre. Dans les états qui n'autorisent pas les exclusions de garantie tacite ou la limitation des dommages accessoires ou indirects, les limitations ou exclusions ci-dessus peuvent ne pas s'appliquer. Cette garantie s'applique aux États-Unis, au Canada et au Mexique uniquement.

ACCESSOIRES



AVERTISSEMENT

Déconnecter toujours la prise d'air de l'outil et enlever les bandes d'attache avant de remplacer ou d'enlever les accessoires. N'utiliser que les accessoires spécialement conçus pour cet outil. Les accessoires non recommandés peuvent présenter des dangers.

Pour une liste complète des accessoires, consulter le *catalogue des outils MILWAUKEE Electric Tool* ou consulter le site Web à l'adresse www.milwaukeetool.com. Pour obtenir un catalogue, contacter le distributeur

Utiliser les attaches MILWAUKEE aux spécifications suivantes:

Longueur: 9,5 mm à 38,1 mm

Angle d'assemblage: 0°

Pour agrafes étroites: 6,4 mm

Connecteurs rapides

INSTRUCCIONES GENERALES DE SEGURIDAD



PELIGRO

**IMPORTANTES INSTRUCCIONES DE SEGURIDAD.
GUARDE ESTAS INSTRUCCIONES RELACIONADAS
CON EL RIESGO DE LESIONES O MUERTE**



ADVERTENCIA

CUANDO SE UTILIZAN HERRAMIENTAS, SIEMPRE SE DEBEN TOMAR PRECAUCIONES BÁSICAS QUE INCLUYAN LO SIGUIENTE:

ASPECTOS GENERALES

1. **Para reducir el riesgo de lesiones, lea todas** las instrucciones antes de utilizar la herramienta.

ÁREA DE TRABAJO

2. **Mantenga limpia y bien iluminada el área de trabajo.** Los bancos atestados de cosas y las áreas oscuras aumentan el riesgo de lesiones.
3. **No utilice la herramienta en atmósferas explosivas, como cuando hay líquidos, gases o partículas inflamables.** La herramienta puede generar chispas que enciendan las partículas o humos.
4. **Mantenga a los espectadores, niños y visitantes alejados mientras utiliza la herramienta.** Las distracciones pueden ocasionar la pérdida de control de la herramienta.
5. **Sepa qué hay detrás de la pieza en la que va a trabajar.** Un sujetador podría atravesar la pieza en la que trabaja y salir al otro lado, golpeando a un espectador y causando lesiones graves.
6. **PELIGRO. Evite realizar operaciones en las que el sujetador pueda entrar en contacto con cables ocultos.** El contacto con un cable "con corriente" "cargará" las partes de metal de la herramienta expuestas y electrocutará al operador, lo que provocará lesiones graves o la muerte. Comuníquese con

un electricista calificado para asegurarse de que existe un ambiente de trabajo seguro.

SEGURIDAD PERSONAL

7. **Manténgase alerta.** Preste atención a lo que hace y use el sentido común cuando utiliza la herramienta. No utilice la herramienta cuando esté cansado o bajo la influencia de drogas, alcohol o medicamentos. Un momento de distracción mientras utiliza la herramienta aumenta el riesgo de lesiones a las personas.
8. **Vístase correctamente.** No use ropa suelta ni joyas. Átese el cabello largo. Mantenga el cabello, la ropa y los guantes lejos de las piezas en movimiento. La ropa suelta, las joyas o el cabello largo aumentan el riesgo de lesiones a las personas al quedar atrapados en las piezas en movimiento.
9. **Evite el encendido no intencional. Quite el dedo del gatillo cuando no esté disparando sujetadores.** Asegúrese de no apretar el gatillo antes de conectar el suministro de aire. No transporte la herramienta con su dedo en el gatillo ni conecte la herramienta al suministro de aire con el gatillo apretado.
10. **No se extralimite.** Mantenga los pies bien asentados y el equilibrio en todo momento. Los pies bien asentados y el equilibrio permiten un mejor control de la herramienta en situaciones inesperadas.

11. **Utilice equipo de seguridad.** El uso de una mascarilla antipolvo, calzado de seguridad antideslizante y un casco en las condiciones que correspondan reducen las lesiones personales.
12. **El operador y otras personas en el área de trabajo deben utilizar protección ocular** de acuerdo con ANSI Z87.1. La protección ocular no se ajusta a todos los operarios de la misma manera. Asegúrese de que la protección ocular elegida tenga protección lateral o que proporcione protección contra fragmentos suspendidos en el aire tanto en la parte delantera como en los laterales. El empleador es responsable de imponer al operador y a otras personas en el área de trabajo el uso de la protección ocular. Cuando sea necesario, use protección para la cabeza de acuerdo con ANSI Z89.1.
13. **Siempre use protectores auditivos cuando utiliza la herramienta por períodos prolongados.** La exposición prolongada a ruidos de alta intensidad puede producir pérdida auditiva.
14. **No transporte una manguera de aire ni una herramienta conectada a una manguera de aire cuando sube escaleras, mecanismos de maniobra o andamios. No ate a su cuerpo una manguera de aire ni una herramienta conectada a una manguera de aire cuando trabaje en alturas elevadas.** Ate la manguera a la estructura para reducir el riesgo de pérdida del equilibrio y lesiones si la manguera se mueve.
15. **Siempre presuponga que la herramienta contiene sujetadores.** No apunte la herramienta hacia usted mismo ni hacia otra persona cuando contenga o no sujetadores.
16. **No clave sobre otro clavo.** Esto puede hacer que el clavo se desvíe y golpee a alguien o que la herramienta se active y provoque un riesgo de lesiones a las personas.
17. **Utilice abrazaderas u otra manera práctica de asegurar y apoyar la pieza en la que se va a trabajar en una plataforma estable.** Es inestable

USO Y CUIDADO DE LA HERRAMIENTA

- sostener el trabajo con la mano o contra el cuerpo y puede causar la pérdida de control.
18. **No fuerce la herramienta.** Utilice la herramienta correcta para la aplicación. La herramienta correcta realizará mejor y de manera más segura el trabajo para el cual fue diseñada.
19. **No utilice la herramienta si el gatillo no enciende o apaga la misma.** Cualquiera herramienta que no se pueda controlar con el gatillo es peligrosa y debe ser reparada.
20. **Desconecte la herramienta de la fuente de aire, luego, vacíe el cartucho antes de realizar ajustes, llevar a cabo el mantenimiento de la herramienta, desatascar atoramientos, tocar el contacto de la pieza de trabajo o dejar el área de trabajo.** Verifique que la herramienta esté vacía y que no haya presión residual en la misma antes de realizar estas acciones. Dichas medidas de precaución reducen el riesgo de lesiones a las personas.
21. **Almacene las herramientas sin uso fuera del alcance de los niños y de otras personas no capacitadas.** Una herramienta es peligrosa en manos de usuarios no capacitados.
22. **Mantenga la herramienta en buenas condiciones.** Una herramienta con el mantenimiento adecuado reduce el riesgo de lesiones. Si la herramienta se cayó, recibió un golpe brusco, se la llevaron por delante, etc., realice la "Evaluación diaria necesaria" antes de continuar utilizándola.
23. **Controle que no haya defectos de alineación ni de unión en las piezas móviles, que no haya piezas rotas ni cualquier otra condición que afecte el funcionamiento de la herramienta.** Si la herramienta está dañada, hágala reparar antes de utilizarla. Muchos accidentes son causa de herramientas mal mantenidas. Existe un mayor riesgo de que la herramienta se rompa si es dañada.
24. **Utilice sólo los sujetadores específicamente recomendados.** Los sujetadores no identificados por el fabricante de la herramienta para utilizar con esta herramienta pueden provocar lesiones

a las personas o daño a la herramienta. Consulte los requerimientos para sujetadores en la sección "Especificaciones".

25. **Utilice sólo accesorios identificados por el fabricante para el modelo específico de la herramienta.** El uso de un accesorio que no es para el modelo específico de la herramienta aumenta el riesgo de lesiones a las personas.

REPARACIÓN

26. a) **La reparación de la herramienta debe realizar solamente el personal calificado.**
- b) **Se acompaña una llave inglesa para apretar los tornillos durante la "Comprobación diaria requerida".**
- c) **Utilice solamente los repuestos idénticos recomendados por el fabricante.**
27. **Utilice solamente los lubricantes para herramientas neumáticas incluidos con la herramienta o especificados por el fabricante. No utilice otros lubricantes ya que dañarán la herramienta.** Consulte en "Accesorios" la lista de lubricantes recomendados para herramientas neumáticas.

FUENTE DE AIRE

28. **PELIGRO: No utilice oxígeno, gases combustibles ni gases envasados** como fuente de energía para esta herramienta. La herramienta explotará y provocará la muerte o lesiones graves.
29. **Nunca la conecte a una fuente de aire capaz de superar las 13,8 BAR.** Presurizar de más la herramienta puede ocasionar explosión, funcionamiento anormal, roturas en la herramienta o lesiones graves a las personas. Utilice solamente aire comprimido limpio, seco y regulado a la presión nominal o dentro del rango de la presión nominal según se indica en la herramienta. Antes de utilizar la herramienta, siempre verifique que la fuente de aire haya sido ajustada a la presión nominal de aire o dentro del rango de la presión nominal de aire. Los compresores de aire deben estar en cumplimiento con ANSI B19.3.

INSTRUCCIONES ESPECÍFICAS DE SEGURIDAD

1. **Utilice mangueras de suministro de aire con una presión de régimen de trabajo mínima de 13,8 BAR.**
2. **Utilice reguladores de presión para limitar la cantidad de aire suministrado a la herramienta. Ajuste los reguladores a no más de 8,3 BAR.**
3. **Instale solamente acoplamientos de mangueras que permitirán remover toda la presión de la herramienta cuando se la desconecte de la fuente.** Si se instala un conector incorrecto, la presión puede permanecer en la herramienta después de ser desconectada, permitiéndole disparar un sujetador, lo que podría provocar lesiones.
4. **Antes de cada uso, controle que el contacto de la pieza de trabajo y el gatillo funcionen correctamente.** No desarme ni sujete piezas del contacto de la pieza de trabajo, del gatillo ni del mecanismo impulsor. Esto causará un accionamiento imprevisto que puede provocar lesiones graves.
5. **Nunca apunte el área de descarga de la herramienta a ninguna parte del cuerpo ni a otras personas.** Siempre presuponga que la herramienta está cargada y puede disparar un sujetador.
6. **No accione la herramienta en espacios libres.** No juegue con la herramienta. Los sujetadores despedidos son proyectiles capaces de producir lesiones graves.
7. **Cuando accione la herramienta, asegúrese de que el contacto de la pieza de trabajo esté bien colocado en la misma.** Sostenga la herramienta firmemente y esté preparado para el impacto.
8. **No quite, altere ni haga, de cualquier otra forma, que los controles de funcionamiento dejen de funcionar.** Esto causará un funcionamiento imprevisto que puede provocar lesiones graves.
9. **No utilice una herramienta si alguna parte de los controles de funcionamiento de la herramienta no funciona,** si está desconectada, modificada o no funciona correctamente. Esto causará un funcionamiento imprevisto que puede provocar lesiones graves.
10. **Siempre mantenga las manos y el cuerpo lejos del área de descarga de la herramienta.** Nunca procure al claro un contacto de la pieza de trabajo agarrando del área de descarga de la herramienta. La descarga de sujetadores con una herramienta puede causar lesiones graves si éstos hacen contacto con las manos o el cuerpo.
11. **No dispare sujetadores cerca del borde de la pieza de trabajo.** Los sujetadores se pueden resbalar de las esquinas y los bordes o atravesar materiales delgados, convirtiéndose en proyectiles capaces de provocar lesiones graves.
12. **Utilice la herramienta solamente para lo que fue creada. No maltrate la herramienta.** No la utilice como martillo, no estampe ni grave información sobre las piezas, no tire ni golpee la herramienta ni aplique, de otra forma, fuerza en exceso sobre la herramienta en uso. No instale la herramienta en soportes ni la modifique para uso fijo.
13. **No transporte la herramienta por la manguera de aire.** Solamente transporte la herramienta por el mango con su dedo fuera del gatillo.
14. **No utilice esta herramienta sin la etiqueta de advertencia de seguridad colocada en su lugar.** Si falta la etiqueta o está dañada, comuníquese con *MILWAUKEE* para obtener un reemplazo gratuito.

TERMINOLOGÍA

Accionar

Provocar el movimiento de los componentes de la herramienta destinados a disparar un sujetador.

Sistema de accionamiento

El uso de un gatillo, contacto de la pieza de trabajo y/u otro control de funcionamiento, por separado o en alguna combinación o secuencia, para accionar la herramienta.

- **Accionamiento secuencial único**

Un sistema de accionamiento que requiere el contacto de la pieza de trabajo y luego el accionar del gatillo en una secuencia específica para disparar un sujetador. Se puede producir un accionamiento adicional cuando se libera y reactiva el gatillo.

- **Accionamiento por contacto**

Es un sistema de accionamiento que requiere el contacto de la pieza de trabajo y luego el accionar del gatillo en cualquier secuencia para disparar un sujetador. Se puede producir un accionamiento adicional cuando se libera y reactiva el contacto de la pieza de trabajo o el gatillo.

- **Accionamiento selectivo**

Un sistema de accionamiento que permite seleccionar los sistemas de accionamiento: accionamiento secuencial único o accionamiento por contacto.

Sujetador

Una grapa, clavija, punta, clavo u otro dispositivo de fijación que está diseñado y fabricado para ser utilizado con las herramientas.




Atoramiento

Una obstrucción en las áreas de alimentación o de disparo de la herramienta.

Contacto de la pieza de trabajo

Un elemento del control de funcionamiento en la herramienta destinado a ser activado por la pieza de trabajo a ser asegurada.

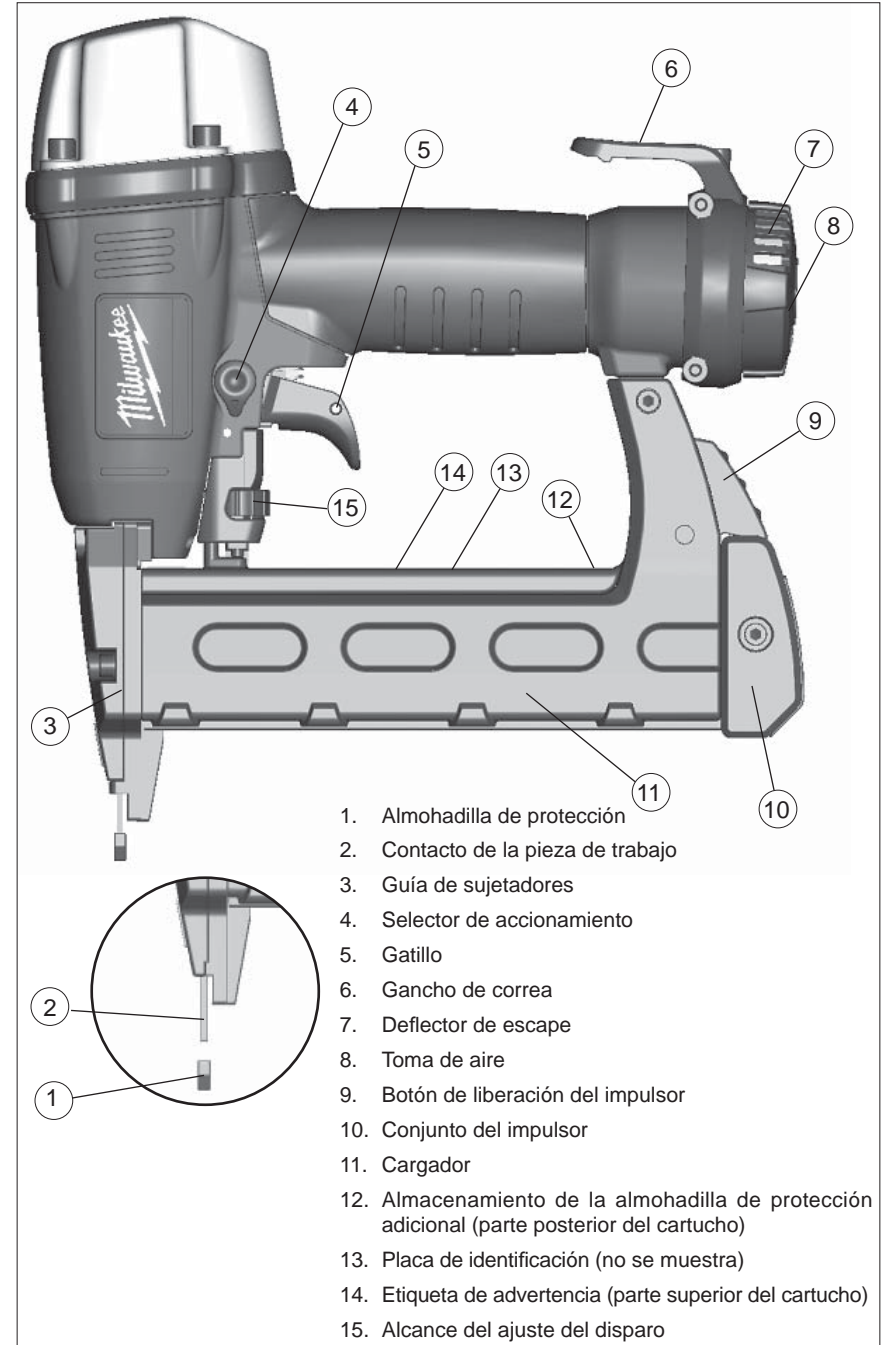
Simbología

	Lea el Manual del operador
	Utilice protección ocular
	Mantenga las manos alejadas

Especificaciones

Cat. No.	Presión de funcionamiento	Longitud del sujetador	Ángulo de unión	Anchura de la corona de grapas	Consumo de aire	Entrada de aire	Capacidad del cartucho
7155-21	4,8 BAR min. 8,3 BAR max.	9,5 mm min. 38,1 mm max.	0°	6,4 mm	0,85 L/ciclos a 6,9 BAR	1/4 pulg. NPT	101 grapas

DESCRIPCIÓN FUNCIONAL



ARMADO



ADVERTENCIA

Desconecte el suministro de aire de la herramienta y quite las tiras de sujetadores, antes de cambiar o retirar accesorios. Utilice solamente accesorios específicamente recomendados por el fabricante para esta herramienta. El uso de otros puede resultar peligroso.

El operador y otras personas en el área de trabajo deben utilizar protección ocular de acuerdo con ANSI Z87.1. La protección ocular no se ajusta a todos los operarios de la misma manera. Asegúrese de que la protección ocular elegida tenga protección lateral o que proporcione protección contra fragmentos suspendidos en el aire tanto en la parte delantera como en los laterales.

Almohadilla de protección

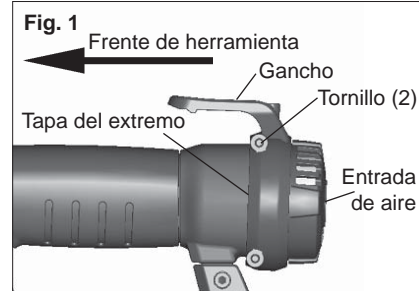
La almohadilla de protección en la punta de la herramienta protege la pieza de trabajo cuando se comprime el contacto de la pieza de trabajo durante el accionamiento. La almohadilla se puede quitar y reemplazar.

1. Antes de retirar o sustituir las almohadillas que no rayan, desconecte el suministro de aire de la herramienta y quite las tiras de sujetadores.
2. Para **retirar** la almohadilla, tire de ella hasta que se abra y aléjela del contacto de la pieza trabajada.
3. Hay disponible un almacenamiento para una almohadilla adicional en el cartucho de la herramienta.
4. Para **reponer** la almohadilla, encájela en su lugar pasándola sobre el contacto de la pieza trabajada.

Escape

La válvula de escape se puede ajustar para dirigir el escape según lo desee. Gire la válvula de escape en la posición de cierre deseada.

Cómo quitar y colocar el gancho de correa



Para **quitar** el gancho:

1. Gire el gancho hasta se descalce en una de las posiciones predefinidas.
2. Retire los dos tornillos de montaje con la llave suministrada.
3. Jale el gancho de la parte posterior de la herramienta.

Para **colocar** el gancho:

1. Alinee el puntal accionado por resorte de la herramienta con la ranura de la parte posterior de la herramienta.
2. Deslice el gancho en la herramienta asegurándose de que apunte hacia el frente de la herramienta. Empuje el gancho hacia arriba y contra la tapa del extremo.
3. Coloque los dos tornillos de montaje con la llave suministrada. Apriete firmemente.
4. Jale el gancho hacia la entrada de aire para verificar que esté colocado correctamente. No debe moverse.

Cómo conectar el suministro de aire



PELIGRO

No utilice oxígeno, gases combustibles ni gases envasados como fuente de energía para esta herramienta. La herramienta explotará y provocará la muerte o lesiones graves.



ADVERTENCIA

Siempre utilice un acoplamiento que descargue todo el aire comprimido de la herramienta en el momento en que se desconecta el conector o el acoplamiento de la manguera. Utilizar un acoplamiento que no descarga el aire comprimido puede provocar un funcionamiento involuntario y lesiones graves.

Utilice solamente aire comprimido limpio y seco con una presión máxima de 13,8 BAR. Antes de conectar la herramienta al suministro de aire, controle el calibrador regulador del compresor de aire para asegurarse de que funciona correctamente, en un rango de entre 4,8 y 8,3 BAR. La presión de aire superior a 8,3 BAR puede causar lesiones y daños a la propiedad. La presión correcta es la presión más baja necesaria para realizar el trabajo.

Para conectar el suministro de aire:

1. Quite el tapón de plástico de la entrada de aire de la herramienta.
2. Inserte un conector rápido de 1/4 pulg. NPT en la entrada de aire de la herramienta.
3. Conecte la manguera de aire en el conector rápido.
4. Controle que no haya una fuga de aire.

NOTA: para mejorar la junta entre el conector y la herramienta y para ayudar a protegerla de la oxidación, coloque cinta o pasta PTFE a los hilos del conector antes de la inserción.

Cómo instalar las tiras de sujetadores

ADVERTENCIA

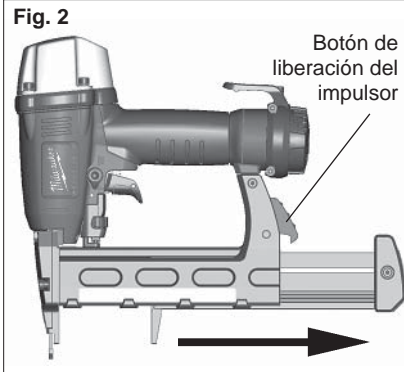
Siempre asegúrese de que el cartucho de la herramienta esté **VACÍO** antes de conectarla al suministro de aire. La herramienta se puede accionar cuando se la conecta por primera vez al suministro de aire. Siempre conecte la herramienta al suministro de aire antes de cargar clavos para evitar lesiones por accionamiento involuntario.

Siempre apunte la herramienta lejos de usted y de otros cuando instala sujetadores. De lo contrario, se podrían provocar lesiones.

Nunca instale sujetadores con el contacto de la pieza de trabajo o el gatillo activado. De lo contrario, se podrían provocar lesiones.

Use solamente los sujetadores recomendados del tamaño, longitud, ángulo de unión y tipo de cabeza correctos, según se indica en la placa de identificación de la herramienta. Consulte la sección de "Accesorios" para obtener información sobre los sujetadores recomendados. Otros sujetadores podrían originar el mal funcionamiento de la herramienta, lo que provocaría lesiones.

1. Asiente la herramienta sobre su costado y apunte la punta de la herramienta lejos de usted y otros.
2. Pulse el botón de liberación del impulsor y deslice suavemente hacia atrás el conjunto del impulsor. No permita un retroceso rápido del conjunto del impulsor.



3. Verifique que el cartucho esté vacío y luego conecte el suministro de aire de la herramienta.
4. Introduzca las tiras de sujetadores en el cargador, con las puntas de las grapas hacia fuera.

NOTA: Utilice únicamente sujetadores recomendados, de los tamaños y anchuras que indique la placa de características de la herramienta.



5. Deslice el conjunto del impulsor hacia el morro de la herramienta, hasta que enganche. Es posible que necesite inclinar ligeramente hacia arriba el morro de la herramienta, para asentar las grapas y cerrar el conjunto del impulsor.

NOTA: Si el conjunto del impulsor no se cierra, puede ser que la tira de sujetadores esté boca abajo o sólo parcialmente asentada en el cargador.

Cómo quitar las tiras de sujetadores

ADVERTENCIA

Para evitar lesiones graves, desconecte la herramienta del suministro de aire antes de quitar las tiras de sujetadores o de desatascar un sujetador atorado.

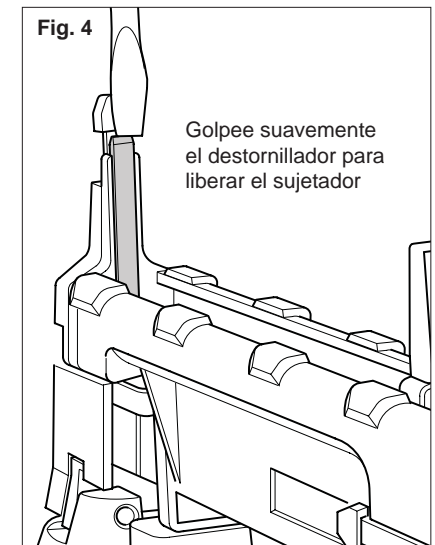
Mantenga los dedos lejos del carril de sujetadores del cartucho. El impulsor podría apretar los dedos, lo que provocaría lesiones.

1. Asiente la herramienta sobre su costado y apunte la punta de la herramienta lejos de usted y otros.
2. Desconecte el suministro de aire de la herramienta.
3. Sujete con una mano la tapa del extremo del conjunto del impulsor, antes de pulsar el botón de liberación del impulsor y deslice suavemente hacia atrás el conjunto del impulsor. No permita un retroceso rápido del conjunto del impulsor.
4. Incline hacia abajo el morro de la herramienta, para extraer la tira de sujetadores.
5. Vuelva a cargar siguiendo las instrucciones "Cómo instalar las tiras de sujetadores".

Cómo desatascar un sujetador atorado

La mayoría de los atoramientos los producen un sujetador o parte de un sujetador calzado entre la paleta impulsora y la guía de clavos (lengüeta). Las tiras de sujetadores con un ángulo de unión incorrecto o el tipo de sujetador incorrecto (como sujetadores de cabeza redonda) pueden causar atoramiento constante. Para destrabar un atoramiento:

1. Asiente la herramienta sobre su costado y apunte la punta de la herramienta lejos de usted y otros.
2. Desconecte el suministro de aire de la herramienta y quite la tira de sujetadores. Deje abierto el conjunto del impulsor.
3. Limpie los residuos, si los hay.
4. Inserte un destornillador en el extremo de la guía de clavos. La punta del destornillador debería entrar en contacto con la paleta impulsora.
5. Golpee suavemente el destornillador con un martillo. El destornillador empujará la paleta impulsora hacia atrás, desatascando el atoramiento.
6. Quite el sujetador y otros residuos (use pinzas de punta de aguja si fuera necesario).
7. Siga los pasos en la "Evaluación diaria necesaria" antes de reiniciar el trabajo.



FUNCIONAMIENTO



ADVERTENCIA

El operador y otras personas en el área de trabajo deben utilizar protección ocular de acuerdo con ANSI Z87.1. La protección ocular no se ajusta a todos los operarios de la misma manera. Asegúrese de que la protección ocular elegida tenga protección lateral o que proporcione protección contra fragmentos suspendidos en el aire tanto en la parte delantera como en los laterales. El empleador es responsable de imponer al operador y a otras personas en el área de trabajo el uso de la protección ocular. Cuando sea necesario, use protección para la cabeza de acuerdo con ANSI Z89.1.

Cómo seleccionar el modo de accionamiento

Se puede fijar el gatillo seleccionable en el modo de accionamiento secuencial único o en el modo de accionamiento por contacto.

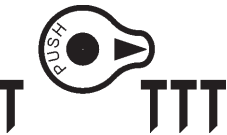
Fig. 5

Accionamiento
secuencial
único



Fig. 6

Accionamiento
por contacto



1. Presione y sostenga el selector de accionamiento.
2. Gire el selector hacia accionamiento secuencial único (T) o accionamiento por contacto (TTT).
3. Suelte el selector de accionamiento.

NOTA: asegúrese de que el selector se trabaje en la posición. Comprenda el proceso de accionamiento antes de utilizarlo.



ADVERTENCIA

Para reducir el riesgo de lesiones a usted y a otros, pruebe la herramienta antes de comenzar a trabajar cada día de acuerdo con la sección "Evaluación diaria necesaria".

No utilice la herramienta a menos que comprenda perfectamente el funcionamiento del accionamiento seleccionado.

Desconecte la herramienta del suministro de aire antes de abandonar el área de trabajo, mover la herramienta a otro lugar o entregar la herramienta a otra persona. De lo contrario, se podrían provocar lesiones graves.

No transporte una manguera de aire ni una herramienta conectada a una manguera de aire cuando sube escaleras, mecanismos de maniobra o andamios. No ate a su cuerpo una manguera de aire ni una herramienta conectada a una manguera de aire cuando trabaje en alturas elevadas. Ate la manguera a la estructura para reducir el riesgo de pérdida del equilibrio y lesiones si la manguera se mueve.

Funcionamiento de accionamiento secuencial único

1. Sujete muy bien el mango.
2. Ubique la punta de la herramienta en la superficie de trabajo.
3. Empuje la herramienta contra la superficie de trabajo, comprimiendo el contacto de la pieza de trabajo.
4. Apriete el gatillo para disparar el sujetador. La herramienta retrocederá alejándose de la pieza de trabajo mientras se dispara el sujetador.
5. Saque su dedo del gatillo y quite la herramienta de la pieza de trabajo.

NOTA: Separe la herramienta de la pieza trabajada, para que no se impulse otro sujetador cuando vuelva a tirarse del gatillo.

Funcionamiento de accionamiento por contacto

1. Sujete muy bien el mango.
2. Presione y sostenga el gatillo.
3. Empuje la herramienta contra la superficie de trabajo, comprimiendo el contacto de la pieza de trabajo para disparar el sujetador. La herramienta retrocederá alejándose de la pieza de trabajo mientras se dispara el sujetador.

NOTA: El accionamiento por contacto también trabaja comprimiendo primero el contacto de la pieza de trabajo y apretando luego el gatillo.

Indicador de recarga

Para indicar que el cargador está casi sin sujetadores (quedan unos 0-1), el contacto de la pieza de trabajo no hará compresión e impedirá el funcionamiento bajo la presión usual. Coloque más sujetadores para continuar trabajando.



ADVERTENCIA

NUNCA calce o retenga el mecanismo de contacto de la pieza de trabajo durante el funcionamiento de la herramienta. Nunca procure al claro un elemento del control de funcionamiento agarrando del área de descarga de la herramienta. Hacerlo podría provocar lesiones graves.

Para evitar lesiones graves, no intente evitar el retroceso al sostener la herramienta muy firmemente contra el trabajo. Mantenga la cara y el cuerpo ausentes de la herramienta. Durante el uso normal, la herramienta retrocederá inmediatamente después de disparar el sujetador. Ésta es una función normal de la herramienta. Restringir el retroceso puede ocasionar que se dispare un segundo sujetador cuando la herramienta está en modo de accionamiento por contacto. Sostenga muy bien el mango, deje que la herramienta haga el trabajo y no coloque una segunda mano sobre la herramienta o cerca del escape.

Cómo establecer la presión de aire y el alcance de disparo

La cantidad de presión de aire necesaria dependerá del tamaño del sujetador y el material de la pieza de trabajo.



ADVERTENCIA

Sepa qué hay detrás de la pieza en la que va a trabajar. Un sujetador podría atravesar la pieza en la que trabaja y salir al otro lado, golpeando a un espectador y causando lesiones graves. Disminuya la presión de aire y/o el alcance del disparo para evitar que el sujetador sea empujado a través de la pieza de trabajo.

1. Asiente la herramienta sobre su costado y apunte la punta de la herramienta lejos de usted y otros.
2. Desconecte el suministro de aire de la herramienta y quite la tira de sujetadores.
3. Luego, fije el alcance del ajuste del disparo en la mitad de su radio de acción.
4. Vuelva a cargar la tira de sujetadores siguiendo las instrucciones de "Cómo instalar las tiras de sujetadores".

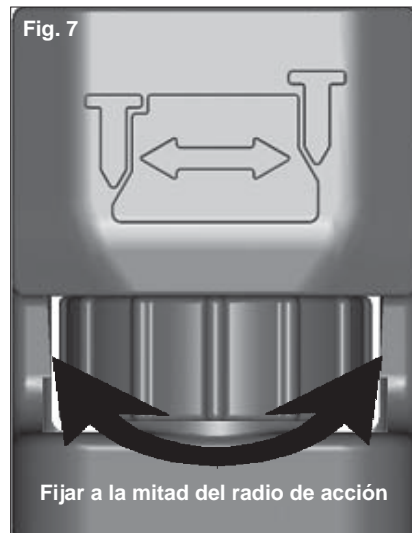


Fig. 7

Fijar a la mitad del radio de acción

5. Comience a probar el alcance del disparo disparando un sujetador de prueba en el mismo tipo de material de la pieza de trabajo utilizada para el trabajo real usando unas 6,2-6,6 BAR.
6. Eleve o disminuya la presión de aire para encontrar el ajuste más bajo que disparará el sujetador constantemente. No se exceda de las 8,3 BAR.
NOTA: es posible que logre el alcance deseado realizando solamente ajustes en la presión del aire. Si se necesitan ajustes más finos, utilice el alcance del ajuste del disparo.
7. Para ajustar con precisión el alcance de disparo, desconecte el suministro de aire, deposite la herramienta sobre un costado y dirija el morro de la misma en dirección opuesta a usted y otras personas. Quite la tira de sujetadores. Gire el selector de alcance hacia la izquierda o derecha para aumentar o disminuir el alcance de disparo.
8. Vuelva a cargar la tira de sujetadores siguiendo las instrucciones de "Cómo instalar las tiras de sujetadores".
9. Dispare un sujetador de prueba y repita los pasos 7 y 8 hasta que llegue al alcance deseado.

EVALUACIÓN DIARIA NECESARIA



ADVERTENCIA

Para reducir el riesgo de lesiones a usted y a otros, pruebe la herramienta antes de comenzar a trabajar cada día o si se cayó, recibió un golpe seco o se la llevaron por delante, etc. Complete la siguiente lista de control EN ORDEN. Si la herramienta no funciona como debería, comuníquese con el centro de servicios de MILWAUKEE inmediatamente.

Siempre apunte la herramienta lejos de usted y de otros.

1. Desconecte el suministro de aire de la herramienta y quite la tira de sujetadores.
2. Compruebe todos los tornillos, pernos, tuercas y pasadores de la herramienta. Apriete todos los sujetadores que estén flojos.
3. Pulse el botón de liberación del impulsor y deslice hacia atrás el conjunto del impulsor (para anular el indicador de Recarga). Presione el contacto de la pieza trabajada contra una pieza trabajada. Se debe mover con facilidad.
4. Con el contacto de la pieza trabajada presionado contra la pieza, tire del gatillo. Se debe mover con facilidad.
5. Conecte el suministro de aire (a 4,8 BAR) en la herramienta. NO cargue la tira de sujetadores.
6. Seleccione el funcionamiento de accionamiento secuencial único. No se debe fugar aire de la herramienta.
Sin accionar el gatillo, presione el contacto de la pieza trabajada contra una pieza trabajada. La herramienta no debe funcionar.

Manteniendo el contacto de la pieza trabajada alejado de la pieza trabajada, accione y retenga el gatillo durante 5 segundos. La herramienta no debe funcionar.

Siga apretando y sosteniendo el gatillo y empuje el contacto de la pieza de trabajo contra la misma. La herramienta no debe funcionar.

Sin accionar el gatillo, presione el contacto de la pieza trabajada contra una pieza trabajada. Pulse el gatillo. La herramienta debe funcionar.

Suelte el gatillo. El disparador se debe mover hacia arriba.

7. Seleccione el funcionamiento de accionamiento por contacto.
Manteniendo el contacto de la pieza trabajada alejado de la pieza trabajada, accione el gatillo. La herramienta no debe funcionar.
Siga apretando y sosteniendo el gatillo y empuje el contacto de la pieza de trabajo contra la misma. La herramienta debe funcionar.
8. Si todas las pruebas anteriores funcionan correctamente, fije la herramienta para trabajar. Seleccione el funcionamiento y cargue las tiras de sujetadores.
9. Establezca el alcance de disparo según la sección "Cómo establecer la presión de aire y el alcance de disparo".
10. Si todas las pruebas funcionan correctamente, la herramienta está lista para ser utilizada. Repita estas pruebas antes de usarla cada día o si la herramienta se cayó, recibió un golpe seco, se la llevaron por delante, se atoró, etc.

MANTENIMIENTO



ADVERTENCIA

Para reducir el riesgo de lesiones, utilice solamente los repuestos idénticos recomendados por el fabricante. La reparación de la herramienta la debe realizar solamente el personal calificado. Siempre use gafas o anteojos protectores con protección lateral cuando realiza el mantenimiento de herramientas. Desconecte la herramienta del suministro de aire antes de realizar el mantenimiento.

Limpieza

Limpie el polvo y los fragmentos de los orificios de ventilación de las herramientas. Mantenga los asideros de la herramienta limpios, secos y sin aceite o grasa. Use solamente jabón suave o un trapo húmedo para limpiar la herramienta ya que algunos agentes de limpieza son dañinos para plásticos y otras partes. Algunos de éstos son la gasolina, turpentina, decapante para laca, decapante para pintura, soluciones limpiadoras con cloro, amoníaco y detergentes para la casa que contengan amoníaco. Nunca use disolventes inflamables o combustibles cerca de las herramientas.

Funcionamiento en clima frío

Para el funcionamiento en clima frío, en temperaturas cerca de o bajo cero, la humedad en la línea aérea puede congelarse evitando el funcionamiento de la herramienta. Use un lubricante para herramientas neumáticas o anticongelante permanente como un lubricante para clima frío en la línea aérea.

No almacene herramientas en un ambiente bajo cero. Se podría formar hielo o escarcha en las válvulas y mecanismos de funcionamiento de las herramientas, lo que provocaría fallas en las herramientas.

Presión y volumen del suministro de aire

El volumen del aire es tan importante como la presión del aire. El volumen de aire suministrado a la herramienta puede ser inadecuado a causa de conectores y mangueras más chicos o por los efectos de la suciedad y el agua en el sistema. El flujo de aire restringido evitará que la herramienta reciba un volumen adecuado de aire, aunque la presión que se lee sea alta. Las consecuencias serán funcionamiento lento o menor potencia de disparo. Antes de evaluar los problemas de la herramienta debido a estos síntomas, busque señales desde el suministro de aire de la herramienta a la fuente de suministro de conectores restringidos, puntos bajos que contienen agua y cualquier otra cosa que evitaría el flujo del volumen completo de aire a la herramienta.

GARANTÍA LIMITADA DE CINCO AÑOS

Todas las herramientas MILWAUKEE se prueban antes de abandonar la fábrica y se garantiza que no presentan defectos ni en el material ni de mano de obra. En el plazo de cinco (5) años a partir de la fecha de compra MILWAUKEE reparará o reemplazará (a la discreción de MILWAUKEE), sin cargo alguno, cualquier herramienta (cargadores de baterías inclusive) cuyo examen determine que presenta defectos de material o de mano de obra. Devuelva la herramienta, con gastos de envío prepagados y asegurada, y una copia de la factura de compra, u otro tipo de comprobante de compra, a una sucursal de reparaciones/ventas de la fábrica MILWAUKEE o a un centro de reparaciones autorizado por MILWAUKEE. Esta garantía no cubre los daños ocasionados por reparaciones o intentos de reparación por parte de personal no autorizado por MILWAUKEE, uso indebido, alteraciones, abuso, desgaste y deterioro normal, falta de mantenimiento o accidentes. Ciertas piezas de determinadas herramientas, como precintos, juntas tóricas, topes y paletas impulsoras para clavadoras y grapadoras MILWAUKEE, entre otras, se considerarán piezas sujetas a desgaste y deterioro normal y no están cubiertas por esta garantía.

El período de garantía para las baterías de ión-litio es de dos (2) años a partir de la fecha de compra. El período de garantía para las baterías de níquel y cadmio, linternas, radios y montacargas profesionales (de palanca, cadena y eléctricos) es de un (1) año a partir de la fecha de compra.

LOS DERECHOS A REPARACIÓN Y REEMPLAZO DESCRITOS EN EL PRESENTE DOCUMENTO SON EXCLUSIVOS. MILWAUKEE NO SERÁ RESPONSABLE EN NINGÚN CASO POR DAÑOS INCIDENTALES, ESPECIALES O CONSECUENTES NI POR GASTOS, PÉRDIDAS O RETRASOS RELACIONADOS CON DAÑOS, FALLAS O DEFECTOS DE PRODUCTO ALGUNO, INCLUYENDO ENTRE OTROS LA PÉRDIDA DE GANANCIAS.

ESTA GARANTÍA ES EXCLUSIVA Y REEMPLAZA TODAS LAS DEMÁS GARANTÍAS O CONDICIONES, ORALES O ESCRITAS, EXPRESAS O IMPLÍCITAS. SIN LIMITAR LA GENERALIDAD DE LO ANTERIOR, MILWAUKEE RENUNCIA A TODA GARANTÍA IMPLÍCITA DE COMERCIABILIDAD O APTITUD PARA UN FIN O USO ESPECÍFICO Y DEMÁS GARANTÍAS IMPLÍCITAS.

Esta garantía le proporciona derechos legales específicos. Es posible que usted tenga otros derechos que varían de estado a estado y de provincia a provincia. En aquellos estados que no permiten la exclusión de garantías implícitas o la limitación de daños incidentales o consecuentes, la limitaciones anteriores pueden que no le apliquen. Esta garantía es válida solamente en los Estados Unidos, México y Canadá.

ACCESORIOS



ADVERTENCIA

Desconecte siempre el suministro de aire de la herramienta y quite las tiras de sujetadores, antes de cambiar o retirar accesorios. Use solamente accesorios específicamente recomendados para esta herramienta. El uso de otros puede resultar peligroso.

Para recibir una lista completa de accesorios consulte su catálogo de herramientas eléctricas MILWAUKEE o vaya a www.milwaukeetool.com en Internet. Para obtener un catálogo, póngase en contacto

Utilice los sujetadores MILWAUKEE con las siguientes especificaciones:

Longitud: 9,5 mm a 38,1 mm

Ángulo de unión: 0°

Anchura de la corona de grapas: 6,4 mm

Conectores rápidos

UNITED STATES - MILWAUKEE Service

MILWAUKEE prides itself in producing a premium quality product that is NOTHING BUT HEAVY DUTY®. Your satisfaction with our products is very important to us!

If you encounter any problems with the operation of this tool, or you would like to locate the *factory Service/Sales Support Branch* or *authorized service station*

nearest you, please call...

1-800-SAWDUST

(1.800.729.3878)

NATIONWIDE TOLL FREE

Monday-Friday • 8:00 AM - 4:30 PM • Central Time

or visit our website at

www.milwaukeetool.com

For service information, use the 'Service Center Search' icon found in the 'Parts & Service' section.

Additionally, we have a nationwide network of *authorized* Distributors ready to assist you with your tool and accessory needs. Check your "Yellow Pages" phone directory under "Tools-Electric" for the names & addresses of those nearest you or see the 'Where To Buy' section of our website.

Corporate After Sales Service - Technical Support
Brookfield, Wisconsin USA

•Technical Questions •Service/Repair Questions •Warranty

1-800-SAWDUST

(1.800.729.3878) fax: 1.800.638.9582

email: metproductsupport@milwaukeetool.com

Monday-Friday • 8:00 AM - 4:30 PM • Central Time

Canada - Service MILWAUKEE

MILWAUKEE est fier de proposer un produit de première qualité NOTHING BUT HEAVY DUTY®. Votre satisfaction est ce qui compte le plus!

En cas de problèmes d'utilisation de l'outil ou pour localiser le centre de service/ventes ou le *centre d'entretien* le plus proche, appelez le...

416.439.4181

fax: 416.439.6210

Milwaukee Electric Tool (Canada) Ltd

755 Progress Avenue
Scarborough, Ontario M1H 2W7

Notre réseau national de distributeurs *agréés* se tient à votre disposition pour fournir l'aide technique, l'outillage et les accessoires nécessaires. Composez le 416.439.4181 pour obtenir les noms et adresses des revendeurs les plus proches ou bien consultez la section «Où acheter» sur notre site web à l'adresse

www.milwaukeetool.com

MEXICO - Soporte de Servicio MILWAUKEE

Milwaukee Electric Tool, S.A. de C.V.

Blvd. Abraham Lincoln no. 13

Colonia Los Reyes Zona Industrial

Tlalnepanitla, Edo. México C.P. 54073

Tel. (55) 5565-1414 Fax: (55) 5565-6874

Adicionalmente, tenemos una red nacional de distribuidores *autorizados* listos para ayudarle con su herramienta y sus accesorios. Por favor, llame al (55) 5565-1414 para obtener los nombres y direcciones de los más cercanos a usted, o consulte la sección 'Where to buy' (Dónde comprar) de nuestro sitio web en

www.milwaukeetool.com

MILWAUKEE ELECTRIC TOOL CORPORATION

13135 West Lisbon Road • Brookfield, Wisconsin, U.S.A. 53005

58-14-7155d3

01/06

Printed in Taiwan

Free Manuals Download Website

<http://myh66.com>

<http://usermanuals.us>

<http://www.somanuals.com>

<http://www.4manuals.cc>

<http://www.manual-lib.com>

<http://www.404manual.com>

<http://www.luxmanual.com>

<http://aubethermostatmanual.com>

Golf course search by state

<http://golfingnear.com>

Email search by domain

<http://emailbydomain.com>

Auto manuals search

<http://auto.somanuals.com>

TV manuals search

<http://tv.somanuals.com>