



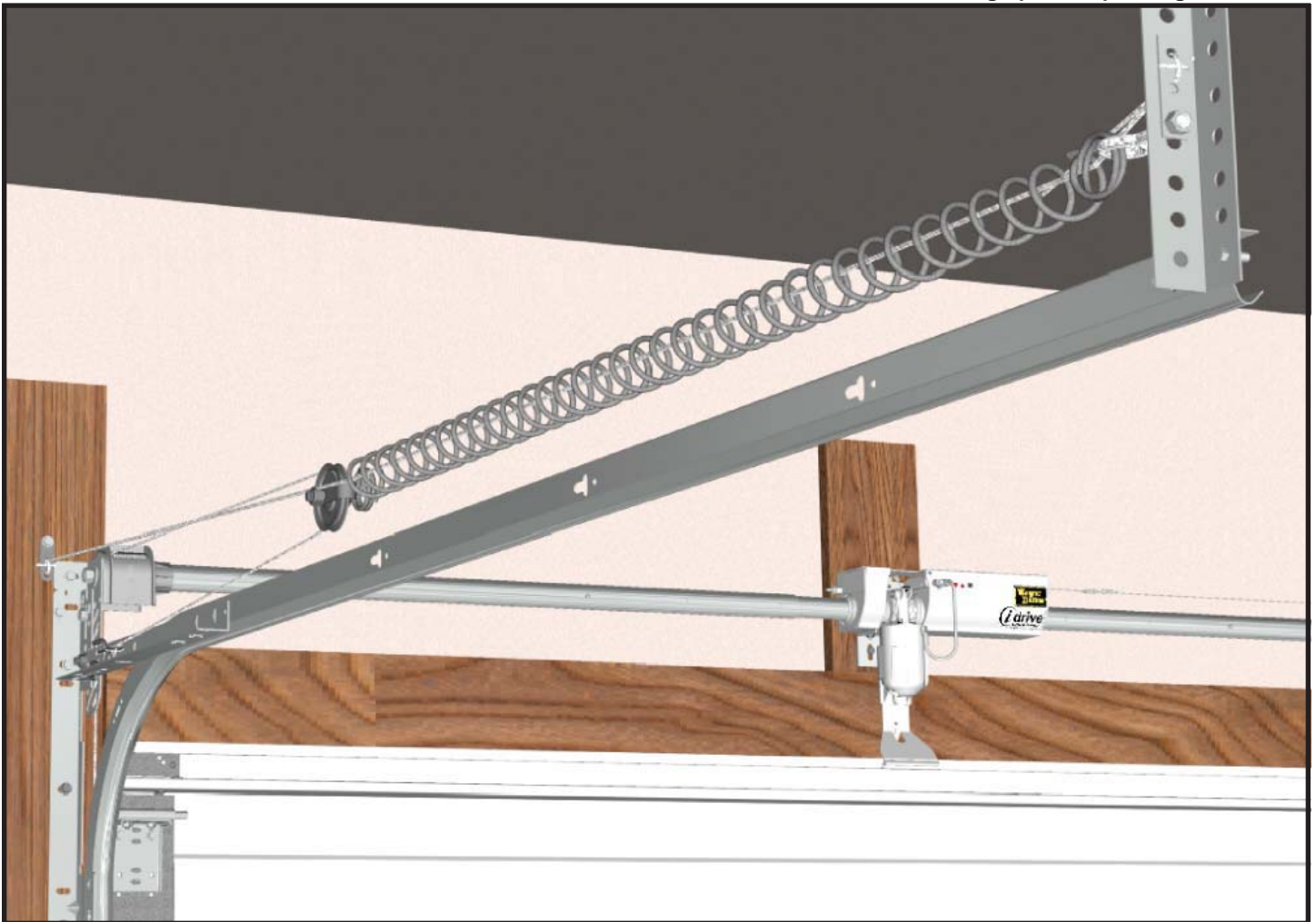
Wayne-Dalton Corp.
P.O. Box 67 Mt. Hope, OH 44660
(888) 827-3667
www.wayne-dalton.com



Installation Instructions and Owner's Manual

Model 3982 *i drive*™ Extension Spring Kit.

Use these instructions to install the extension spring kit with *i drive*™ Models: 3660-372/ 3661-372/ 3662-372/ 3760-372
Covered under one or more of the following U.S. patents: D413,579; D466,141; D472,568; D472,910; D473,573; D473,574;
D474,215; D505,393; D517,580; 5,929,580; 6,078,249; 6,145,570; 6,164,014; 6,253,824; 6,263,947; 6,325,134; 6,326,751;
6,326,754; 6,401,792; 6,561,255; 6,561,256; 6,568,454; 6,588,156; 6,605,910; 6,667,591; 6,739,372; 6,845,804; 6,851,465;
6,873,127; 6,880,609; 6,903,650; 7,053,571; 7,061,197; 7,075,256; 7,109,677; 7,123,128; 7,143,804; 7,173,389; 7,173,514;
7,173,516; 7,183,732; 7,190,266; 7,193,502; 7,207,142; 7,211,975. other U.S. and foreign patents pending



Important Notice!

Use these instructions instead of the manual included with your *i drive*™. Read the enclosed instructions carefully before installing/operating this garage door opener. Pay close attention to all warning labels and notes. This manual should be attached to the wall in close proximity to the garage door opener.

Table of Contents

System Requirements	2.
Important Safety Instructions	3.
Package Contents	4. - 5.
Tools Needed	6.
Available Accessories	6.
<i>idrive</i> TM Retro-fit Installation	7.
Extension <i>idrive</i> TM Installation	7. - 14.
Pre-Operation Installation	15. - 29.
Operation	30. - 32.
Maintenance	33.
Troubleshooting	34. - 35.
Warranty	36.
Customer Service Number	36.

System Requirements

⚠WARNING To reduce the risk of severe injury or death, use this kit only with the following openers:

- *idrive*TM Models 3660-372, 3661-372, 3662-372, 3760-372 or 3760N-372 can be installed on a garage door with an extension spring counterbalance system and standard lift track, **ONLY** when installed with the Infrared Safety Sensors Accessory; Model 3965.
- *idrive*TM Model 3660-372, 3661-372, 3662-372, 3760-372 & 3760N-372 can be installed on a garage door with an extension spring counterbalance system and standard 6" low headroom track, **ONLY** with the Low Headroom Kit, Model 3980 (not included).

After installation is complete, fasten this manual near garage door. Perform monthly maintenance (see Maintenance section page 33 of your *idrive*TM **Installation Instructions and Owners Manual**) and periodic checks, as recommended.

NOTE: Extension spring kit, model 3982 is designed for garage doors 7'-0" wide to 10'-0" wide and up to 8'-0" high.

FCC and IC Statement

FCC Regulatory Information:

This device complies with Part 15 of the FCC Rules. Operation is subject to the following two conditions: (1) this device may not cause harmful interference, and (2) this device must accept any interference received, including interference that may cause undesired operation.

IC Regulatory Information:

Operation is subject to the following two conditions: (1) this device may not cause interference, and (2) this device must accept any interference, including interference that may cause undesired operation of the device.

NOTE: This equipment has been tested and found to comply with limits for a Class B digital device, pursuant to Part 15 of FCC Rules. These limits are designed to provide reasonable protection against harmful interference in a residential installation. This equipment generates, uses and can radiate radio frequency energy and, if not installed and used in accordance with these instruction, may cause harmful interference to radio communication; however, there is no guarantee that interference will not occur in a particular installation. If this equipment does cause harmful interference to radio or television reception, which can be determined by turning equipment off and on, user is encouraged to try to correct interference by one or more of the following measures: Reorient or relocate receiving antenna. Increase separation between equipment and receiver. Connect equipment into an outlet on a circuit different from that which receiver is connected. Consult your dealer or/and experienced radio/television technician for help. **WARNING:** Changes or modifications to this unit not expressly approved by party responsible for compliance could void user's authority to operate this equipment.

IMPORTANT SAFETY INSTRUCTIONS FOR INSTALLATION AND USE

WARNING: INCORRECT INSTALLATION CAN LEAD TO SEVERE OR FATAL INJURY. FOLLOW INSTRUCTIONS.

WARNING: IT IS VITAL FOR THE SAFETY OF PERSONS TO FOLLOW ALL INSTRUCTIONS. SAVE THESE INSTRUCTIONS.



READ AND FOLLOW ALL INSTALLATION INSTRUCTIONS.



Install only on a properly balanced garage door. An improperly balanced door could cause severe injury. Have a qualified service person make repairs to cables, spring assemblies, and other hardware before installing the opener.



Do not connect the opener to a power source until instructed to do so.



Install the entrapment warning label next to the wall station in a prominent location. Install the emergency release marking on or next to the emergency disconnect.



Where possible, install the opener seven feet or more above the floor. Mount emergency release six feet above the floor.



Remove all ropes and remove or make inoperative all locks connected to the garage door before installing the opener.



Locate the wall station: (a) within sight of door, (b) at a minimum height of five feet, so small children cannot reach it, and (c) away from all moving parts of the door.



Do not wear rings, watches or loose clothing when installing or servicing a garage door system.



After installing the opener, the door must reverse when it contacts a 1-1/2" high object (or 2 x 4 board laid flat) on the floor.

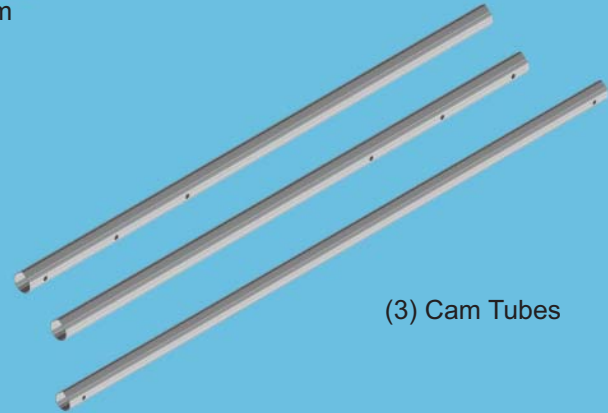
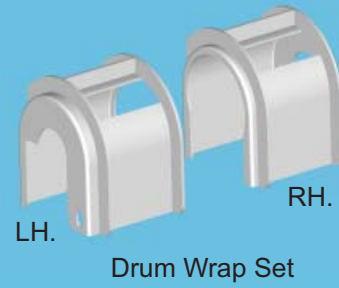
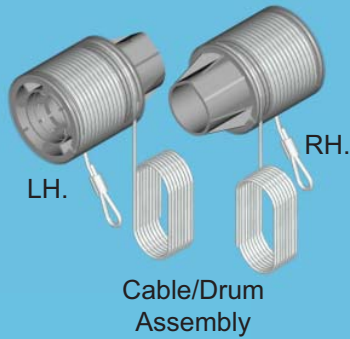
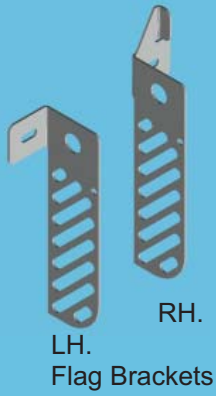


Wear safety glasses for eye protection when installing or servicing the opener or door.

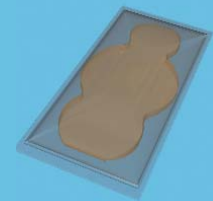
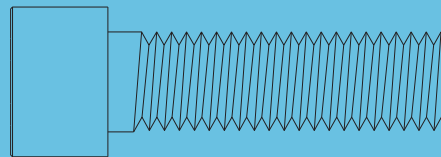
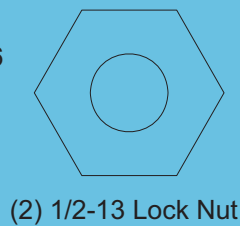
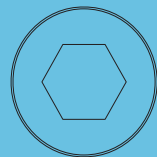
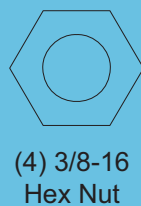
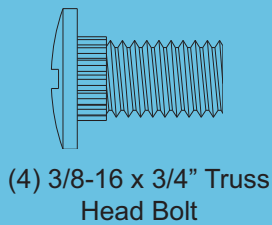
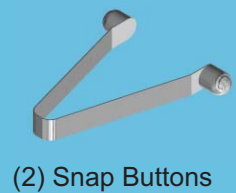
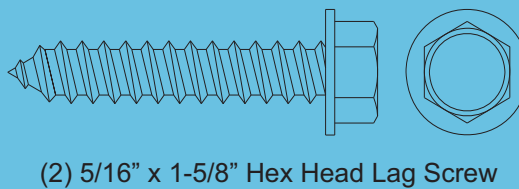
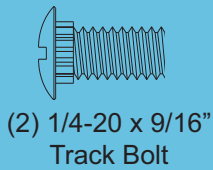


Installation and wiring must comply with local building and electrical codes. Connect power cord to a properly grounded outlet. Do not remove the ground pin from power cord.

Package Contents: 3982 *idrive*™ Extension Spring Kit



Hardware Kit: 3982 *idrive*™ Extension Spring Kit



idrive™ Package Contents:



Three-button Transmitter (2)

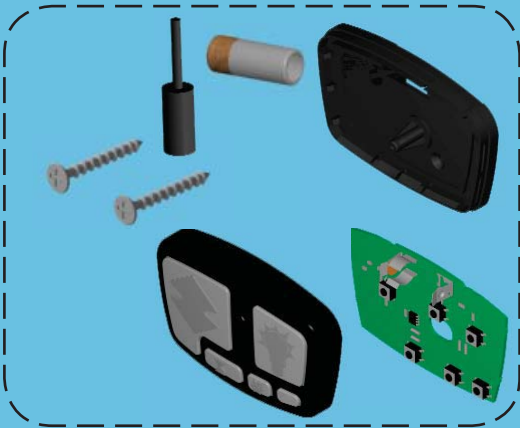


Opener



6' Power Cord (1)

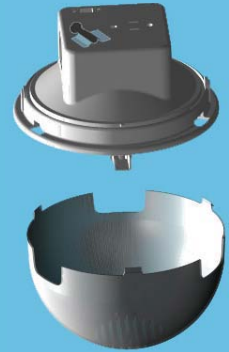
Wall Station Assembly



Wall Station Reference Label



Support Bracket



Light Fixture Assembly w/ Screw & Diffuser



Lock Arm Assembly



Entrapment Label



Owners Manual



idrive™ Hardware Kit:



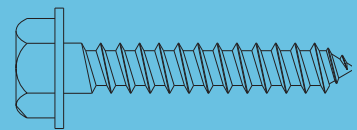
Disconnect Handle (1)



"S" Hook (1)



Disconnect Cable (1)



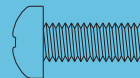
1/4 x 1-1/2" Hex Head Lag Screws (4)



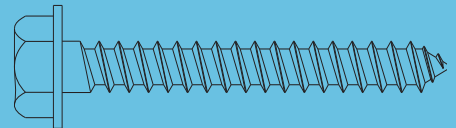
Jumpers (3)



Handle Bracket (1)



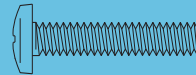
M5 x .8 x 12 Phillips Pan Head Screw (1)
(For Lock Arm)



1/4 x 2" Hex Head Lag Screws (2)



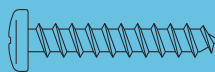
Emergency Disconnect Label (1)



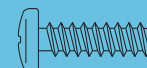
#6-32 x 3/4" Phillips Pan Head Screw (1)
(For Light Fixture)



Cable Clips (4)

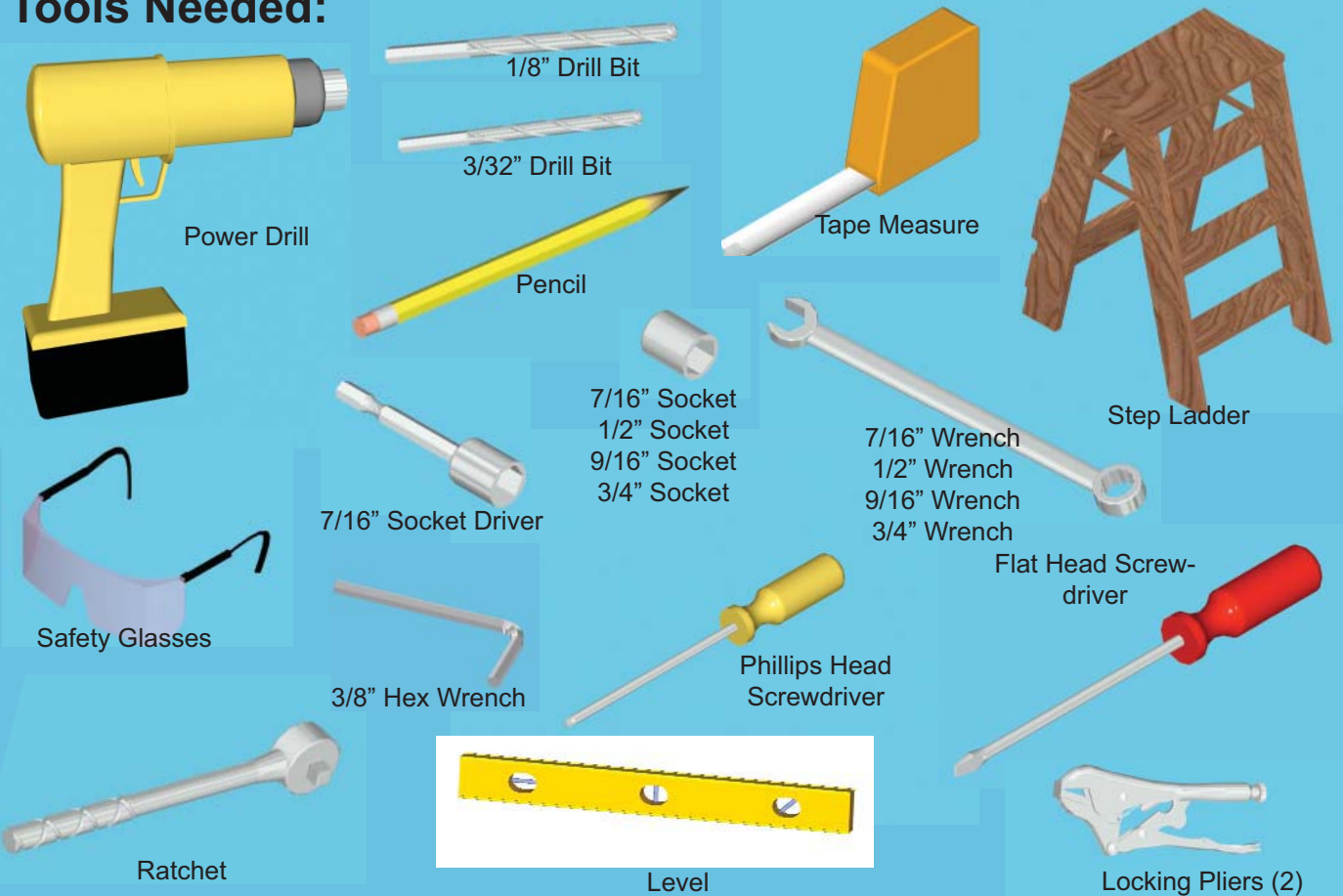


#6 x 7/8" Phillips Pan Head Screws (4)



#6-20 x 1/2" Phillips Pan Head PL Screw (1)
(for disconnect handle)

Tools Needed:



Available Accessories: For *idrive*™



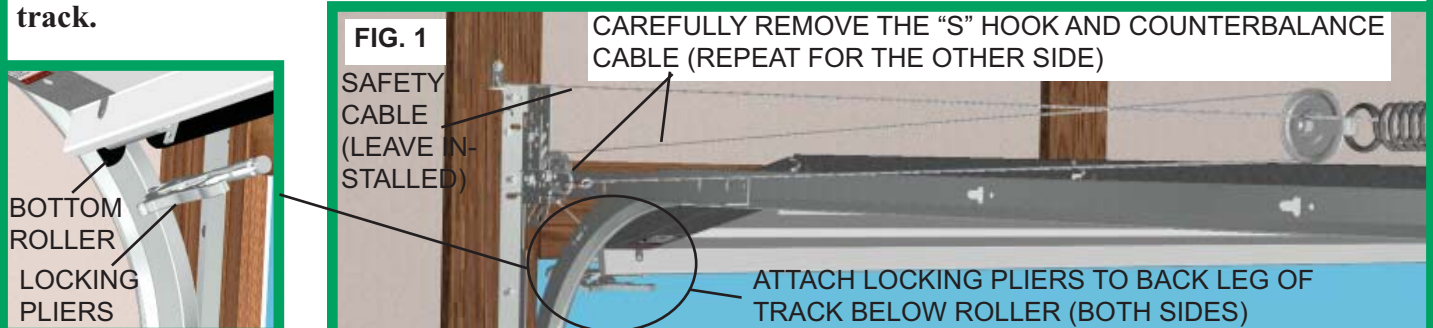
idrive™ Retro-fit Installation

Step 1: Extension Spring Relief

Raise the door to the fully open position and clamp locking pliers to the back legs of both vertical tracks, below the bottom rollers to prevent the door from falling (see Fig. 1). By opening the door, you release most of the spring tension. Carefully unfasten the S-hook from the horizontal angle. Remove the counterbalance cable. Leave extension spring with its sheave installed. Repeat for the other side.

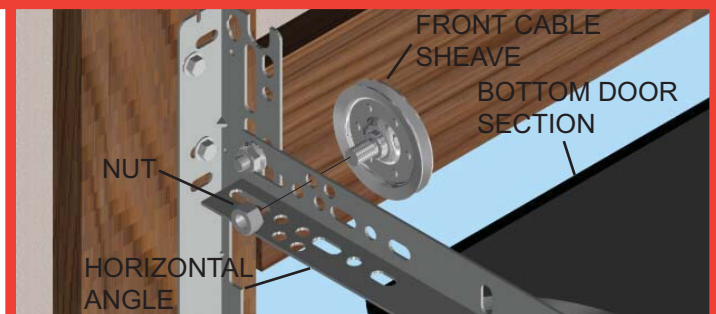
⚠ WARNING COUNTERBALANCE SPRING TENSION MUST BE RELIEVED BEFORE REMOVING ANY HARDWARE. A POWERFUL SPRING RELEASING ITS ENERGY SUDDENLY CAN CAUSE SEVERE, EVEN FATAL INJURY.

NOTE: Only remove springs when door is in the up position and visegrip pliers are attached to the track.



Step 2: Remove Front Sheave

Disassemble the existing front cable sheaves. Typically the front sheave is secured with a bolt and nut to the horizontal angle. Repeat for other side. **(NOTE: It may be helpful to refer to the original garage door's owner's manual for removing parts from the original door.)**



Extension idrive™ Installation

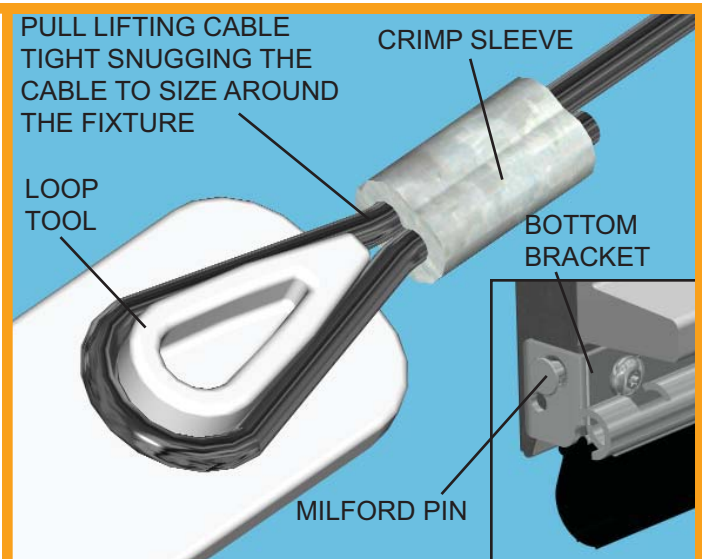
Step 3: Lifting Cable Loop

Locate the bottom bracket at the lower edge of the bottom section. The lift cable will be attached to the brackets milford pin. Measure the diameter of the head of the pin and record the measurement. Locate the drum assemblies provided with the kit. They will have a cable attached with a loop formed on the end of the cable.

Locate the cable loop tool and install the loop over the shape that corresponds to the milford pin head size you measured. Use the larger size if the milford pin head size is greater than or equal to 1/2", and the smaller size if the diameter is less than 1/2". With the cable installed onto the tool, pull the cable tight, forming it around the loop tool. Remove the cable from the tool while holding the cable so it does not slip in the crimp sleeve. Place the crimp sleeve on a hard surface and using a hammer, hit the crimp sleeve until it is squeezed tightly around the cable. Verify the loop has been set securely by pulling on the loop. Repeat for the other cable. Set the drum/cable assemblies aside until needed.

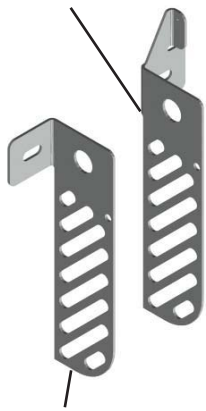
Repeat for the other cable. Set the drum/cable assemblies aside until needed.

⚠ WARNING FAILURE TO CRIMP SLEEVE SECURELY TO CABLE, CAN CAUSE CABLE TO SLIP OUT, ALLOWING DOOR TO FALL DURING OPERATION, RESULTING IN SEVERE OR FATAL INJURY.



Step 4: Flag Bracket Installation

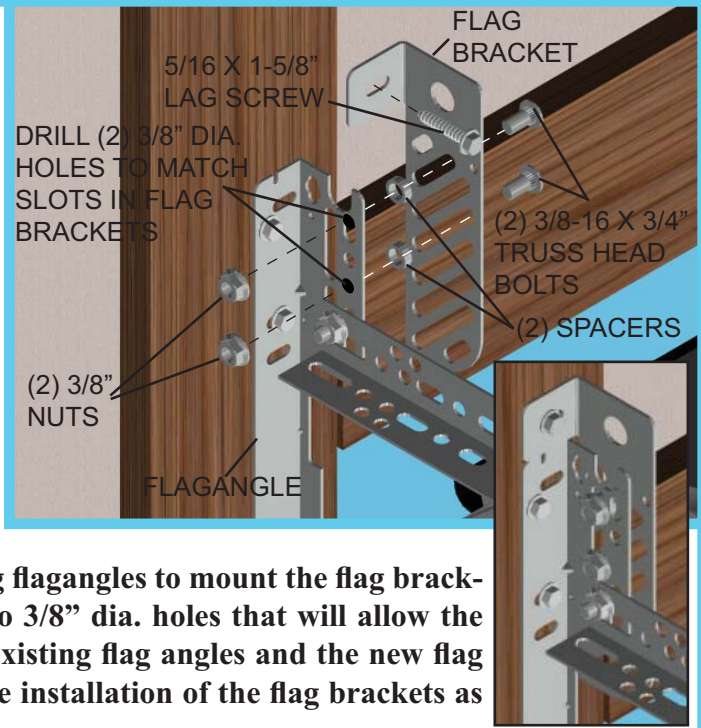
RIGHT HAND FLAG BRACKET



LEFT HAND FLAG BRACKET

There are two flag brackets (left and right) provided. The right side bracket has an extended flange at the top. Align the left hand flag bracket to the existing left flag angle, so the top flange will be located to the top edge of the existing flag angle. Identify two locations that will allow the 3/8" bolts to go through both the flag bracket and the existing flag angle.

NOTE: In some instances there may not be any holes in the existing flagangles to mount the flag brackets. It will be necessary to drill two 3/8" dia. holes that will allow the 3/8" bolts to go through both the existing flag angles and the new flag brackets. Once the holes are drilled proceed with the installation of the flag brackets as shown in step 4.



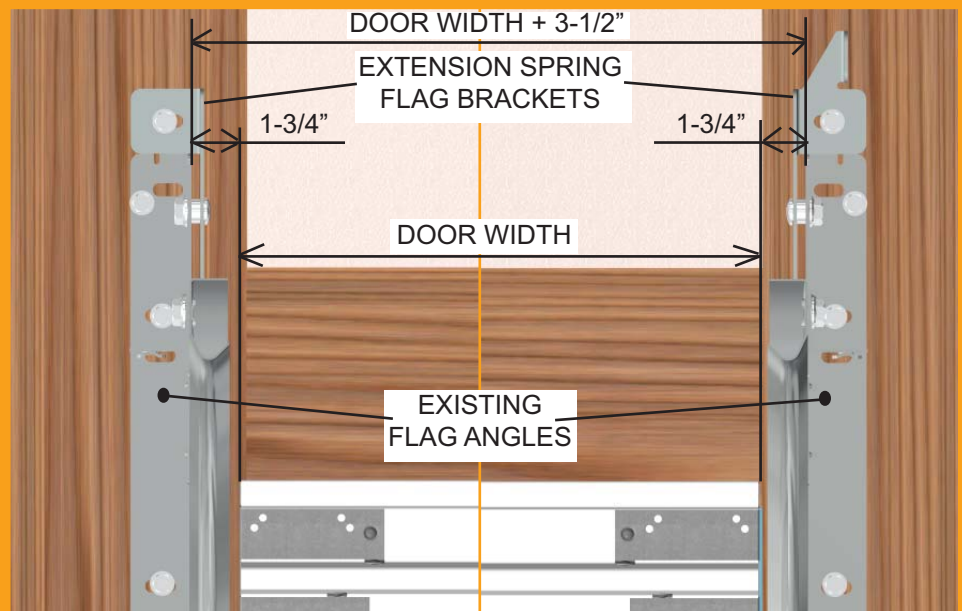
Insert the 3/8" bolts into the previously identified slot in the flag bracket, insert a spacer onto the bolt and position the flag bracket to the existing flag angle. Attach the 3/8" nut and tighten. Secure the second bolt, spacer and nut in the same manner. Make sure that the flag bracket is parallel with the existing flag angle.

IMPORTANT! Flag brackets must be level and plumb. Secure the top of the flag bracket with a 5/16" lag screw in the slot provided. Repeat the procedure for the right hand bracket.

NOTE: Right and Left hand is determined from inside the garage, looking out.

Step 4A: Track Width Conformation

For the extension spring torsion tube to install correctly it is necessary that the distance between the flag angles be correct. Measure the distance between the existing flag angles. The dimension needs to be the width of the door + 3-1/2". If this is not what the track is set to, then you must adjust the track so that the mounting brackets meet the requirement. To move the track it may be necessary to loosen the bolts in the flag angles and the brackets mounting it to the jamb. Set the track so it is 1-3/4" from the edge of the door on both sides. Reinstall bolts in the jamb brackets and flag angles. Recheck dimensions before going to the next step.



Step 5: Cable Drum Installation

NOTE: Do not remove shrink wrap from cable drums until instructed to do so.

Cable drums are right and left. Be sure to check the identification on each drum to make sure the correct drum is installed on its corresponding side.

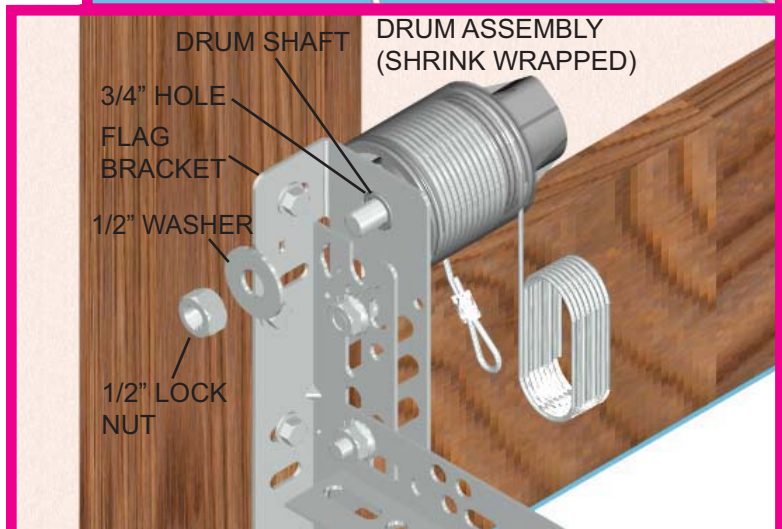
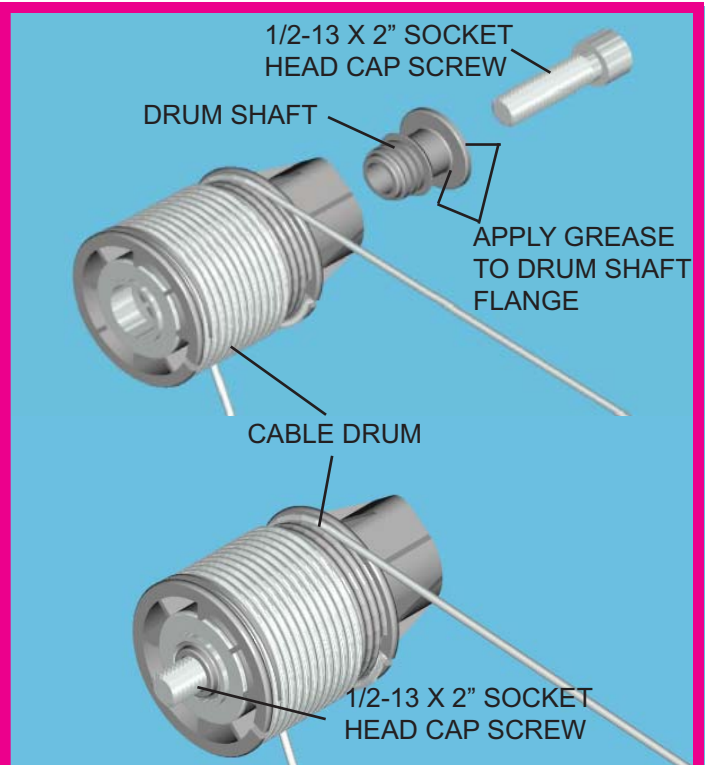
Apply grease to both sides and outer diameter of the flange of the drum shaft.

Insert the 1/2-13 x 2" socket head cap screw into the drum shaft. Then insert the screw and shaft into the drum so that the screw threads and drum shaft are showing out past the drum bearing.

Install the drum/shaft/screw assembly into the 3/4" hole in the flag bracket. **Be sure the end of the shaft is inserted into the hole in the flag angle.**

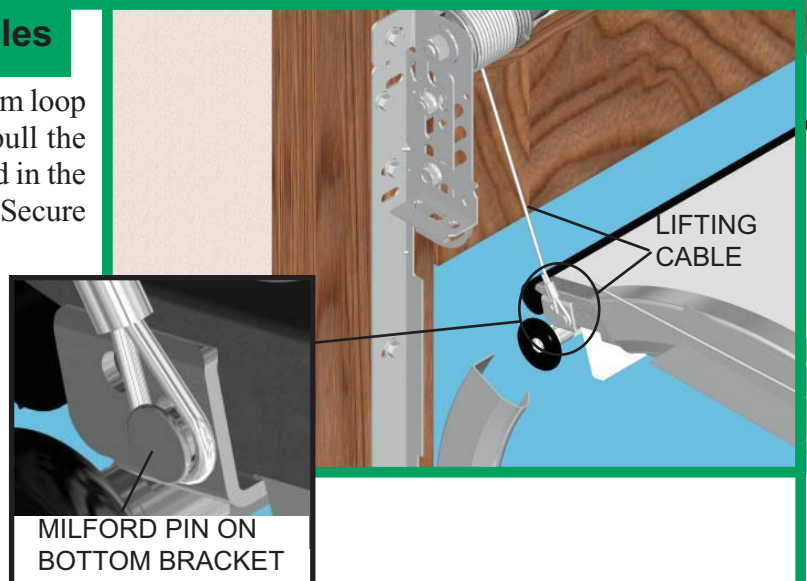
Secure assembly with a 1/2" washer and 1/2" lock nut.

Check to make sure the drum will rotate freely on the shaft. If not, loosen 1/2" lock nut until the drum is free to rotate. Repeat for opposite side.



Step 6: Bottom Bracket Lifting Cables

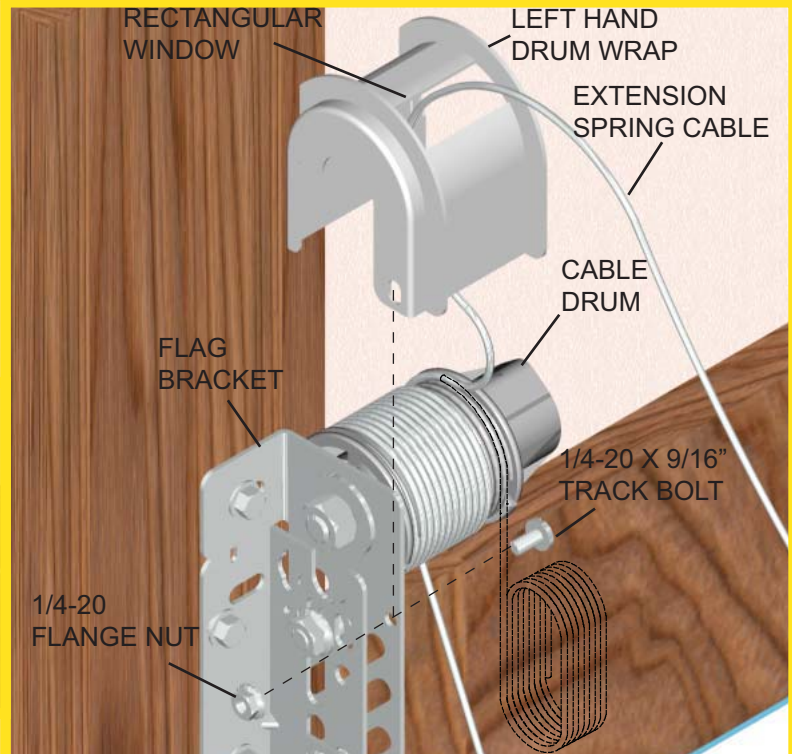
Locate the end of the lifting cable where the custom loop was made earlier in the instructions. Carefully pull the cable, bringing the loop to the milford pin located in the bottom bracket on the edge of the bottom section. Secure the cable loop around the milford pin, making sure the loop is over the head of the milford pin and around the smaller diameter. Repeat for the other side.



Step 7: Drum Wrap Installation

NOTE: Right and Left hand is determined from inside the garage, looking out.

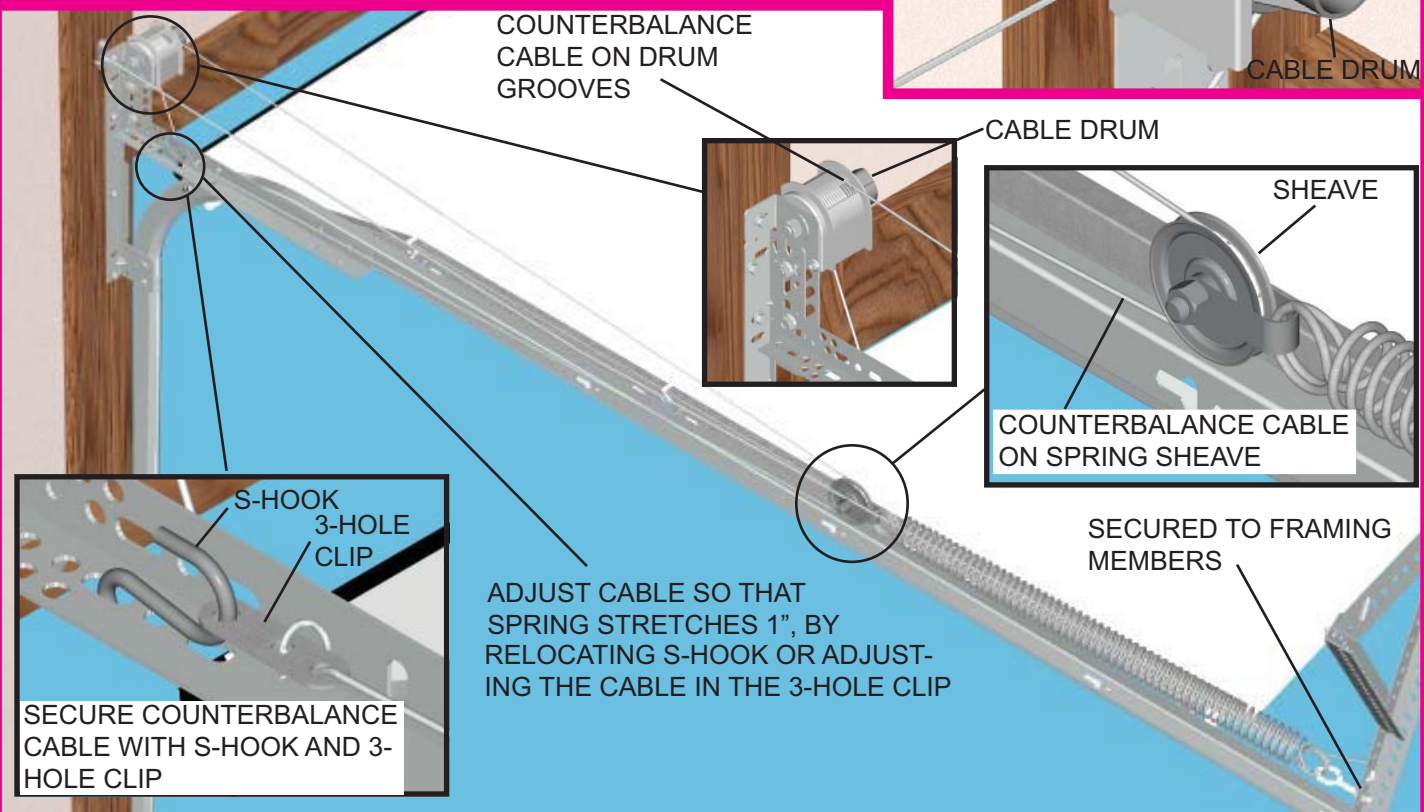
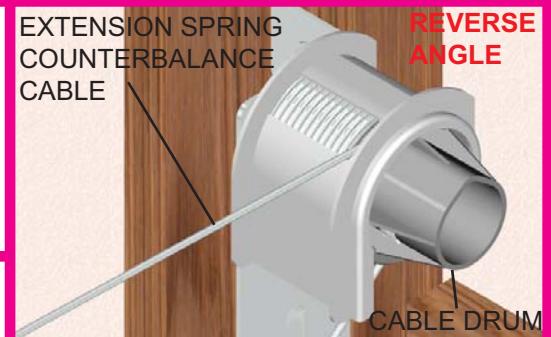
Drum wraps are right and left. Take the extension spring cable and unroll it, thread the free end of the cable through the rectangular window of the drum wrap. Position the drum wrap as shown

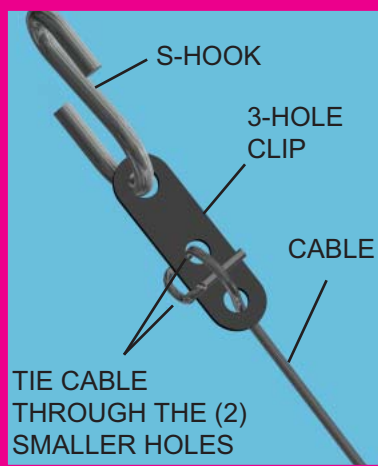


Step 8: Extension Spring Counterbalance

NOTE: The door lifting cable and the extension spring cable are wrapped oppositely on the drum.

Take the end of the extension spring cable, thread it through and around the sheave located on the extension spring, then bring the cable to the front of the track.



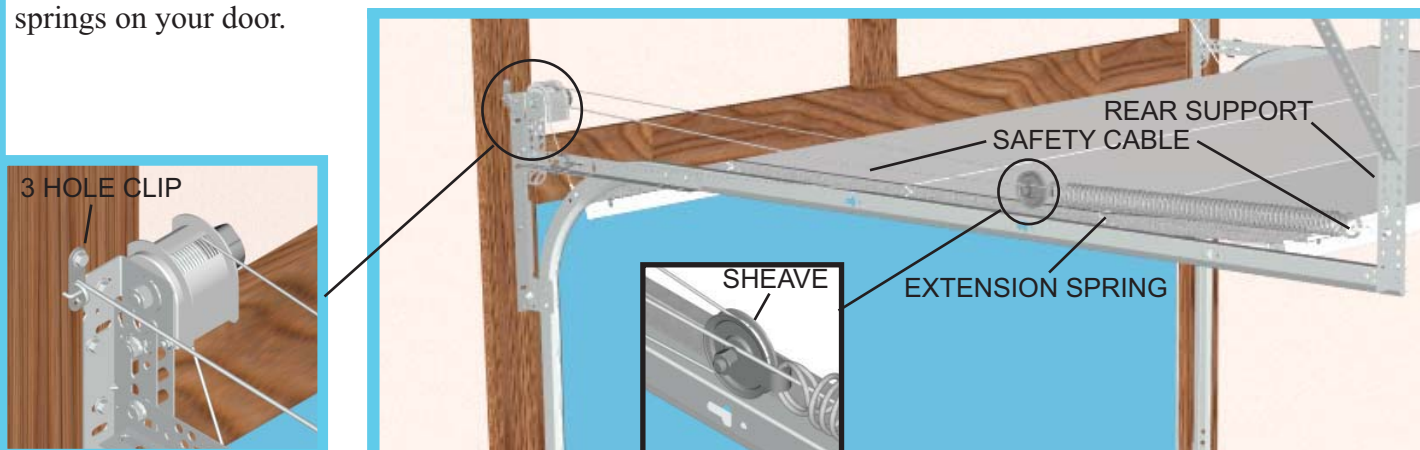


Attach the 3-hole clip as shown. Insert the S-hook into the 3-hole clip. Pull the cables taut ensuring the cable is on the sheave. Connect the cable to the horizontal angle. Repeat **Step 8** for the opposite side of the door. After the counterbalance cables are installed on both sides of the track, lift the drum wrap to remove the shrink wrap from the cable drums. Re-insert the drum wrap and match the hole in the drum wrap with the hole in the flag bracket. Secure the drum wrap to the flag bracket using (1) 1/4-20 x 9/16" track bolt and 1/4-20 flange nut (see Fig.7). Repeat for the other side.

SPRING ADJUSTMENTS: Adjust the counterbalance cables so that there is no more than 1" of spring stretch. This is done by adjusting the cable in the 3-hole clip and/or moving the S-hook to another location on the horizontal angle. Be sure that the left and right side counterbalance cables are adjusted to provide the same amount of spring pre-tension on each side.

Step 9: Safety Cable Installation

Ensure that the safety cables installed on your door are not tangled with the extension spring cables. Contact a professional garage door service technician if safety cables are not installed through each of the extension springs on your door.

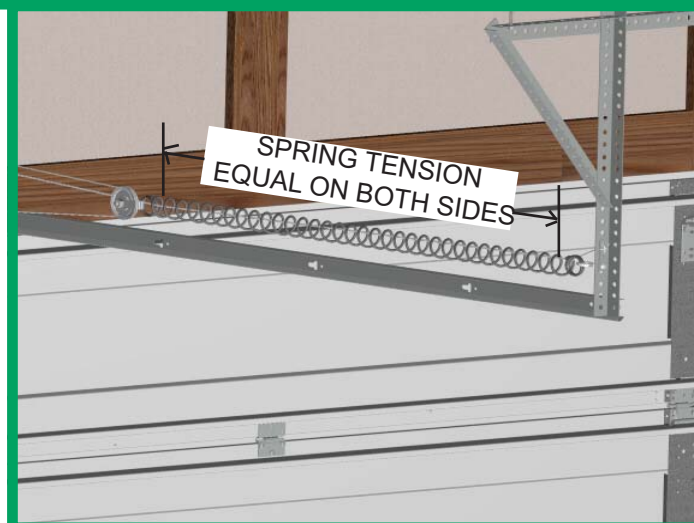


Step 10: Lower the Door

Now that the counterbalance system is installed to the garage door, remove the locking pliers and carefully lower the door to the fully closed position. Be sure the door descends uniformly by pulling the door down from the center of the door and using correct gripping points, such as a lift handle or lock handle.

⚠️ WARNING TO AVOID SEVERE INJURY DO NOT PLACE FINGERS OR HAND BETWEEN SECTION JOINTS.

Once the door is closed, measure the spring length on both springs and verify the spring tension length is the same for both springs. If they are not, raise the door, re-attach locking pliers and repeat the **CABLE ADJUSTMENT** process in **Step8**.



IMPORTANT! Do not try to adjust springs while the door is in the closed (Down) position.

Step 11: *idrive*™ Opener/Torque Tube Assembly

Locate the (3) pieces of cam shaped tube (Torque Tube).

Notice that one piece is smaller and will fit inside the other two pieces.

NOTE: Right and left hand are always determined from inside the garage looking out.

Locate the *idrive*™ opener in the operator box. Look into the opener's left side to ensure the left hand bearing and the internal (black) sleeve are aligned with the torque tube profile. Once aligned, slide the opener onto the smaller piece of tubing.

IMPORTANT! To avoid damage, tube must be assembled entering left side of opener and exiting right side.

NOTE: Hold the opener by the main body. Do not hold by the motor.

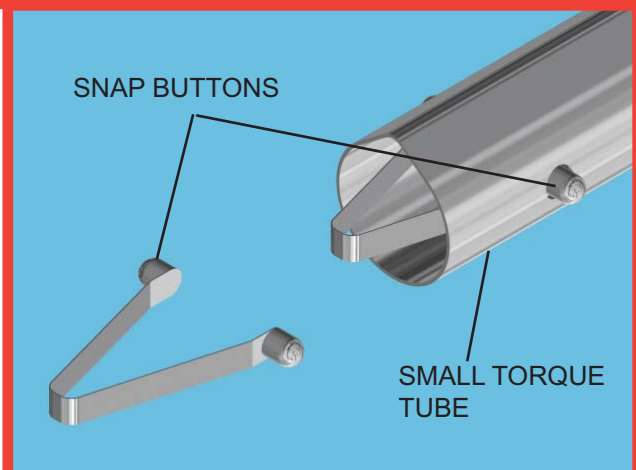
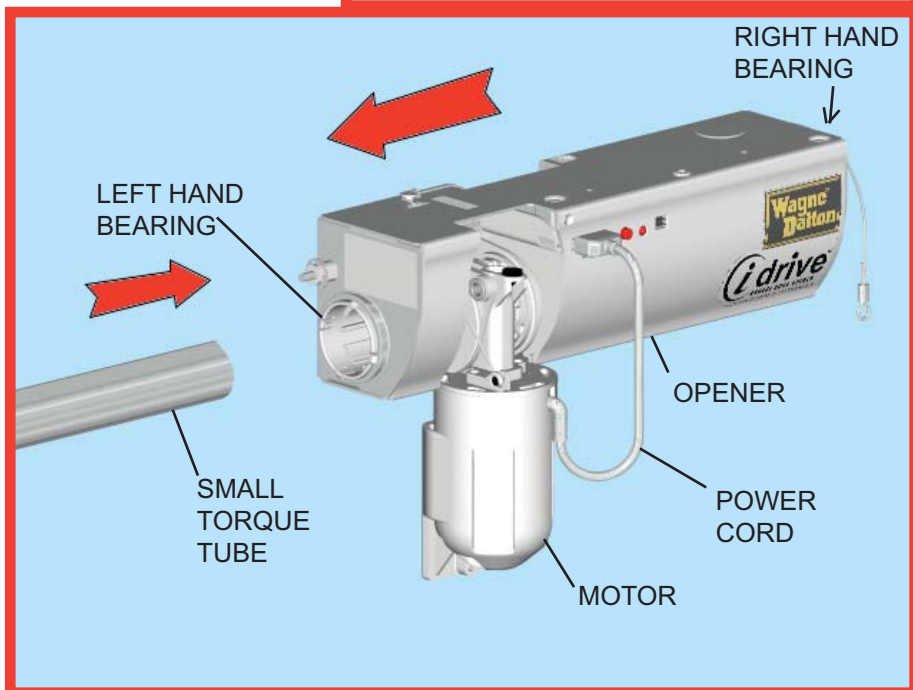
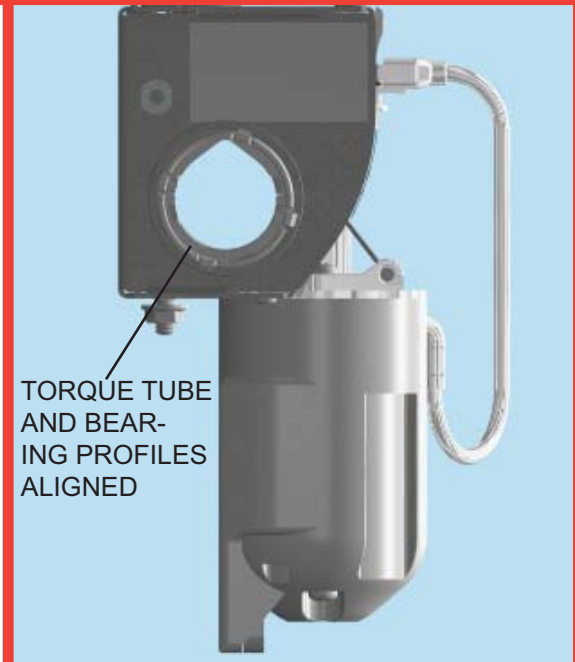
As the right end of the torque tube enters the internal (black) sleeve, rotate the opener back and forth slightly to help aid alignment.

NOTE: Do not force the opener onto the tube if misalignment occurs.

Continue sliding the opener onto the torque tube. Align the right hand bearing with the torque tube and slide the opener completely onto the torque tube until the torque tube exits the opener right hand bearing. Continue sliding the opener to the center of the torque tube.

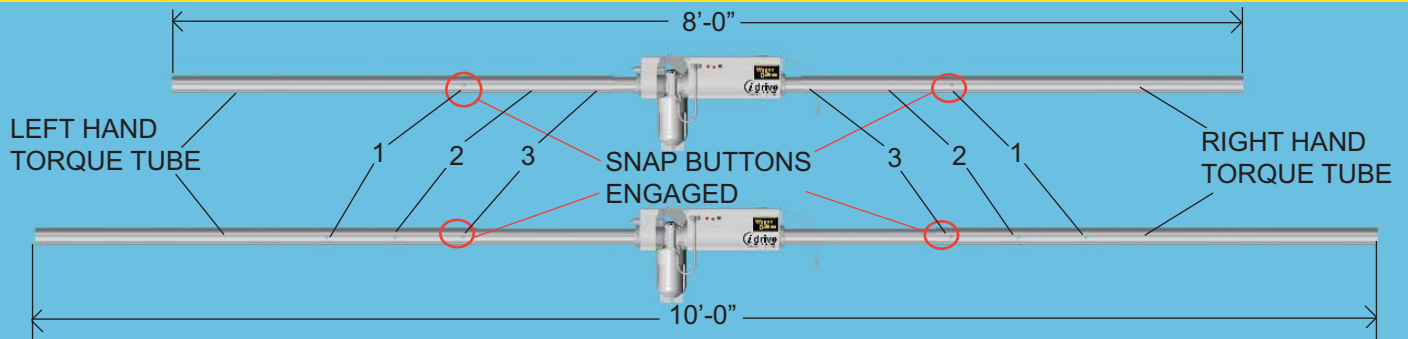
Install the snap buttons into each end of the tube.

Take the two larger torque tubes and slide one over each end of the smaller torque tube. Be sure that the end with the 3 sets of holes is toward the opener.



Step 12: iDrive™ Opener/Torque Tube Assembly Installation

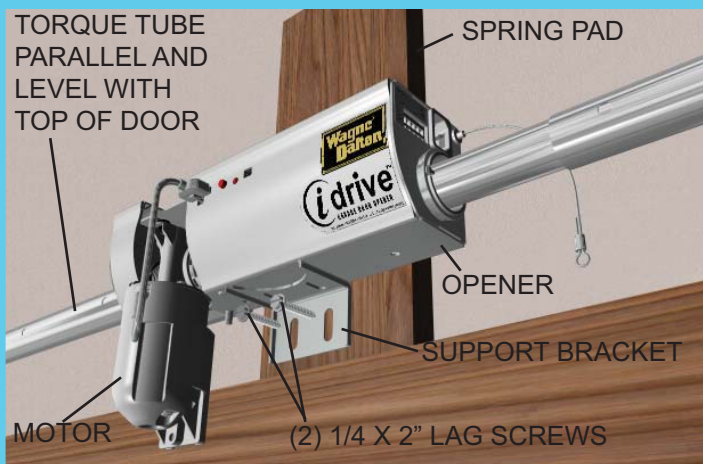
Push the outer torque tubes in until they are touching the opener. Be sure that the snap buttons are not engaged in any of the outer tube holes. This will make the torque tube the shortest in length and allow enough room to get the tubes into the drums. The torque tube can be adjusted to fit a door width of 8' to 10' in 6" increments. See figure above.



Door Width	Left Hand Torque Tube	Right Hand Torque Tube
8'-0"	hole 1	hole 1
8'-6"	hole 2	hole 1
9'-0"	hole 2	hole 2
9'-6"	hole 3	hole 2
10'-0"	hole 3	hole 3

Lift the iDrive™ opener/ torque tube assembly up to the drums. It may be necessary to disconnect the motor from the torque tube to get the tube into the drum. To disconnect, pull the cable coming out of the top right hand side of the opener. This will disconnect the motor and allow the torque tube to rotate inside the opener. Align one end of the tube to the “cam” shaped hole in the drum. Once aligned, slide the tube into the cable drum. Make sure it is all the way into the drum. Now take the opposite end of the tube and slide it into the other drum. Extending the tube so that the tube is all the way in both drums. When correct, the snap buttons will engage the set of holes for your door width.

Step 13: Secure iDrive™ Opener



Locate the spring pad. The spring pad is a vertical running board above the center of the door. Remove (2) 1/4-20 flange nuts from bottom of opener. **NOTE: Do not discard flange nuts.** Place the support bracket (in iDrive™ hardware bag) underneath the opener, to the right side of motor, centered on spring pad. Level the torque tube to the top of the door section with the iDrive™ resting on the support bracket. Once torque tube is level, secure support bracket to the spring pad with (2) 1/4 x 2" lag screws (operator hardware). Lift and slide the opener over the support bracket, aligning the mounting studs with the bracket slots. Loosely fasten to mounting studs with the (2) 1/4-20 flange nuts. **NOTE: Do not tighten 1/4-20 flange nuts to opener studs at this time.**

Step 14: Disconnect Installation

Attach the loose disconnect cable (located in opener hardware bag) to the opener with the S-hook. Close both ends of the S-hook to lock assembly together.

Thread the disconnect cable through the hole in right hand flag bracket and remove all slack between opener and right hand flag bracket.

Mark a location on the right jamb, 6 feet above the floor to mount the handle bracket. Align top of the bracket with the mark. Fasten bracket to the jamb with (2) 1/4 x 1-1/2" lag screws. Start the #6-20 x 1/2" screw into the handle. Thread the disconnect cable through the top of the handle bracket and then the handle. Locate the handle in full upper position of handle bracket. Then remove all cable slack between the opener and the top of the handle bracket. Tighten #6-20 x 1/2" screw into the handle until snug, and then tighten screw an additional 1 to 1-1/2 turns to secure cable to handle. Trim off excess cable from bottom of the handle.

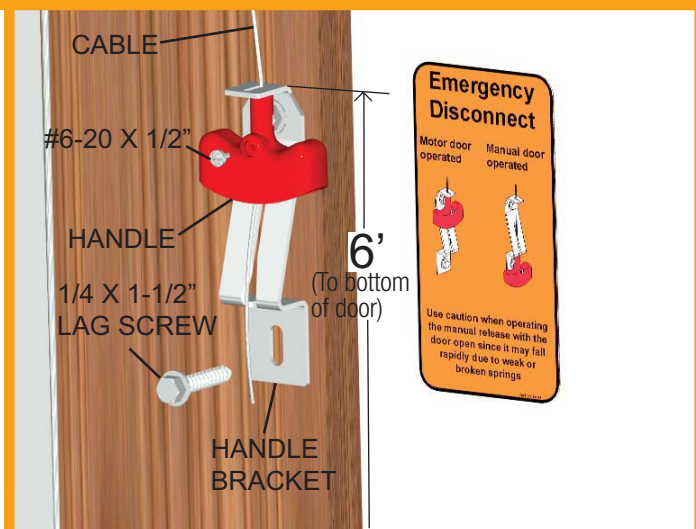
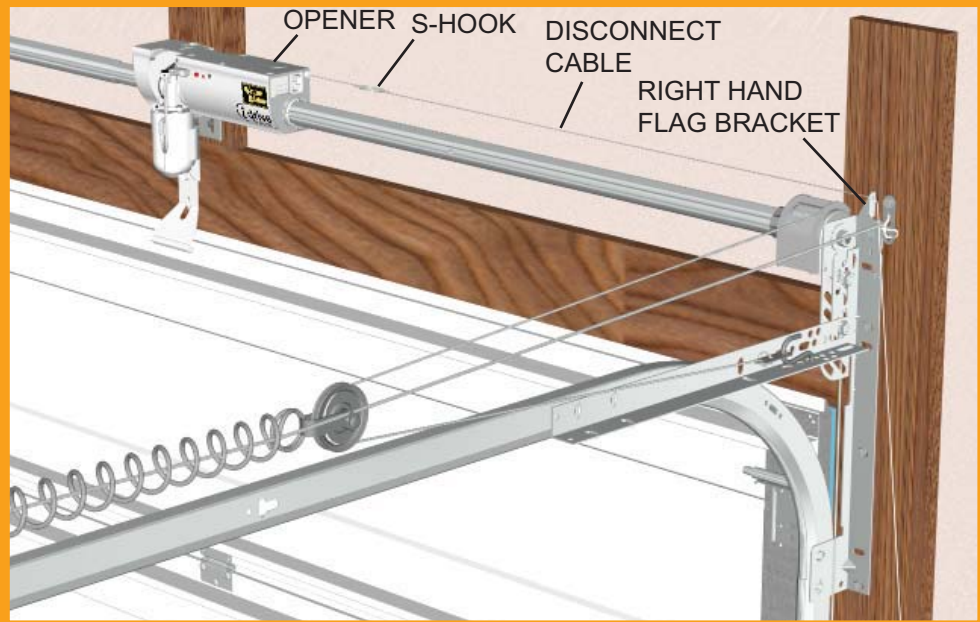
NOTE: It is recommended that 1/4" lag screw location be pilot drilled using 1/8" drill bit.

CAUTION: Pull cable only enough to remove the cable slack. Pulling the cable more could cause opener to disconnect from the torque tube.

Apply emergency disconnect label next to the mounted bracket. Use mechanical fasteners if adhesive will not adhere.

Using the emergency disconnect, pull disconnect handle downwards and place it in the manual door operated position. Use disconnect label for reference. Motor will be rotated 90° from its packaged position.

NOTE: If motor does not pivot 90°, Refer to troubleshooting pages 34 and 35 of the **iDrive™ Instructions and Owner's Manual**.



MANUAL DOOR OPERATED POSITION

Pre-Operation Installation

Step 15: Wall Station Installation

Locate a convenient place to mount wall station within sight of the garage door. To keep wall station out of the reach of children, measure at least five feet up from the floor and secure wall station base into wood wall framing using (2) phillips head screws. Use 2 of 3 holes that best align with wood framing. Use anchors (not included) when fastening to drywall or concrete.

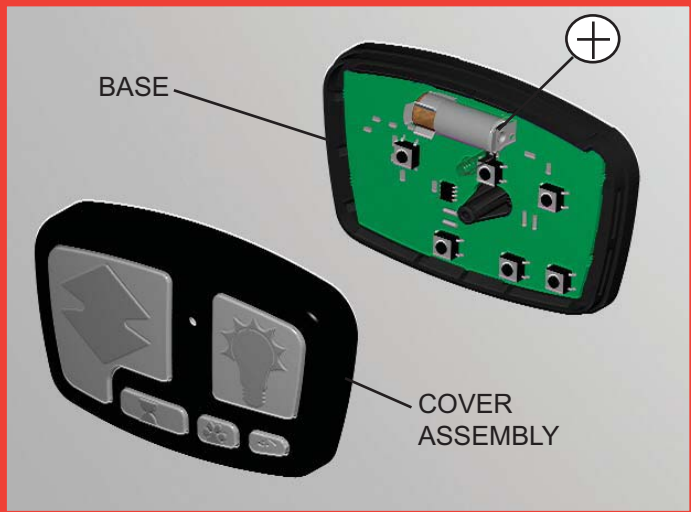
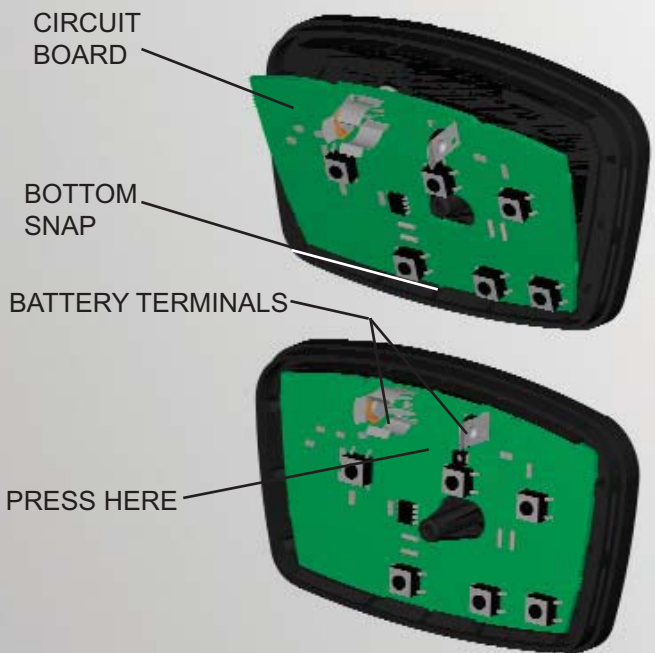
CAUTION: Over tightening screws into wood could deform plastic base and interfere with circuit board snaps.

NOTE: Pilot drill mounting holes using a 3/32" (3mm) bit.

Insert bottom of circuit board behind bottom snap of wall station base. Pivot circuit board up and snap into place. For best results, press on circuit board between battery terminals.

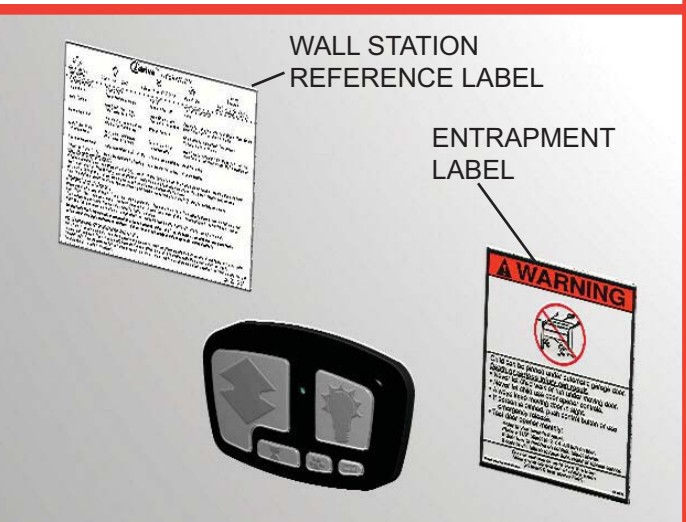
Insert battery onto circuit board being careful to match (+) positive battery marking with (+) circuit board marking. Align wall station cover/button assembly with base. Press cover assembly over base until cover

(2) PHILLIPS HEAD
SCREWS



snaps into place. A uniform seam between the cover and base indicates a proper installation.

Apply wall station reference label and entrapment label in a convenient location next to the wall station.

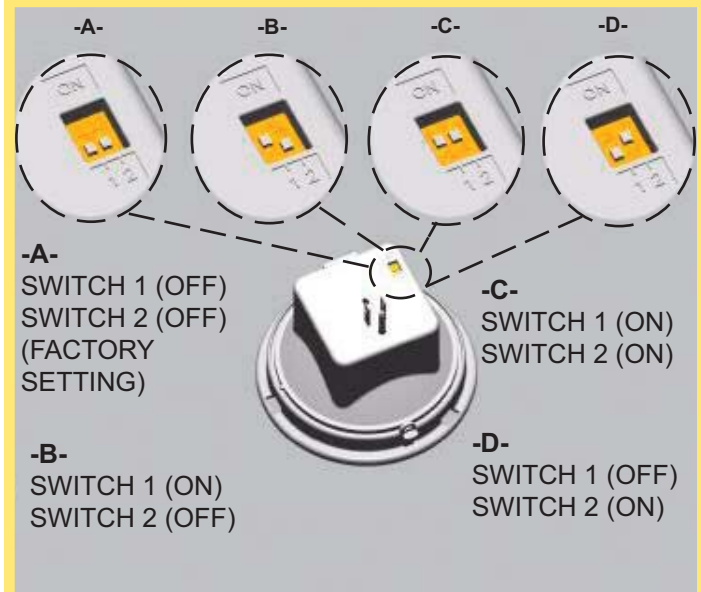
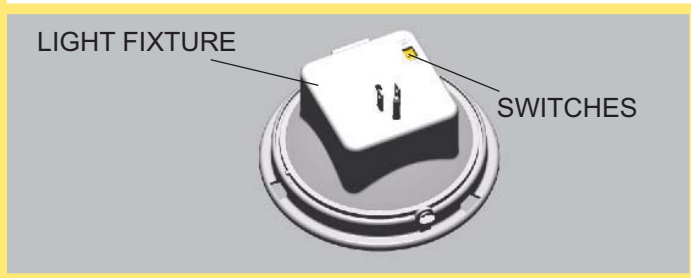


Step 16: Multi-Opener/Light Fixture Programming

NOTE: Skip this step if installing only one *idrive*™ opener.

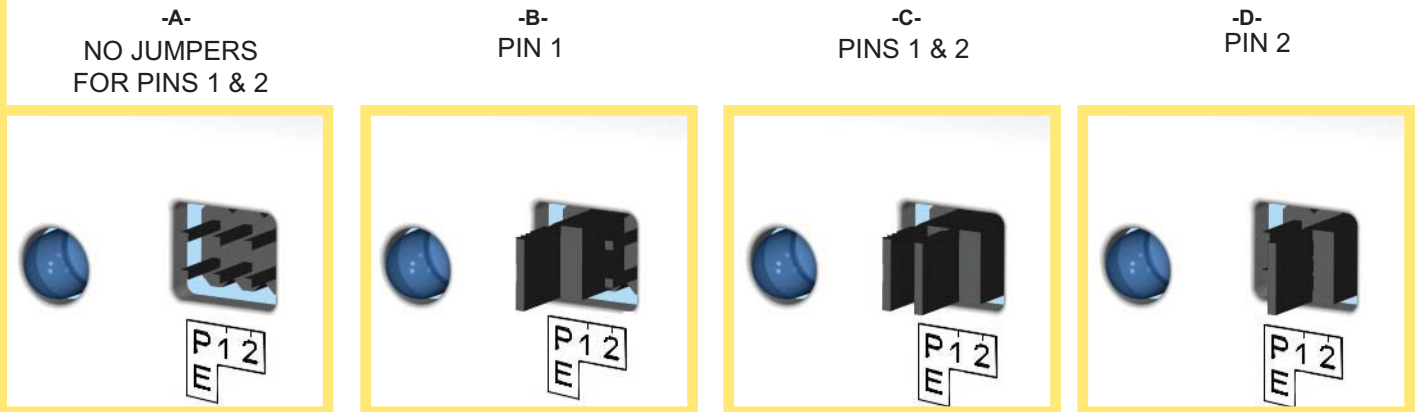
Switch Settings: Light Fixture

If installing more than one opener in the same garage, the light fixtures can be set to function only with a selected opener. Leaving the light fixture as is from the factory may cause all light fixtures to light when any one of the openers are activated. The opener jumpers and light fixture switches need to be matched to allow for the opener to activate a specific light fixture. To adjust switch location on light fixture, slide switches on top of light fixture housing.



Jumper Settings: Opener

On the right side of the opener, insert jumper(s) provided in the hardware pack, to match the switch setting of the light fixture.



Jumper Settings	
Light Fixture	Opener
Detail	Detail
-A-	= -A-
-B-	= -B-
-C-	= -C-
-D-	= -D-



When the light fixture switches and the opener jumpers are matched, the light fixture will respond to its matched opener.

Step 17: Light Fixture Installation

IMPORTANT! The light is turned on and off by an infrared (IR) signal sent from the opener to the light. Therefore, the light must be mounted in a location where it can always “see” the front face of the opener.

Locate a duplex receptacle within line of sight of opener, when the door is in the open position. Disconnect power to the receptacle at the fuse/breaker box before proceeding.

⚠WARNING TO REDUCE THE RISK OF ELECTRICAL SHOCK, THIS EQUIPMENT HAS A GROUNDING TYPE PLUG, THAT HAS A THIRD (GROUNDING) PIN. THIS PLUG WILL ONLY FIT INTO A GROUNDING TYPE OUTLET. IF THE PLUG DOES NOT FIT INTO THE OUTLET, CONTACT A QUALIFIED ELECTRICIAN TO INSTALL THE PROPER OUTLET. DO NOT CHANGE THE PLUG IN ANY WAY.

⚠WARNING TO AVOID ELECTRICAL SHOCK, DISCONNECT POWER TO THE RECEPTACLE AT THE FUSE/BREAKER BOX BEFORE PROCEEDING.

⚠WARNING DO NOT INSTALL THE LIGHT FIXTURE INTO A RECEPTACLE WITH A METAL FACEPLATE.

NOTE: Door must clear light fixture when the door is in the open position. There must be no obstruction between the light fixture and the opener for light fixture to work properly.

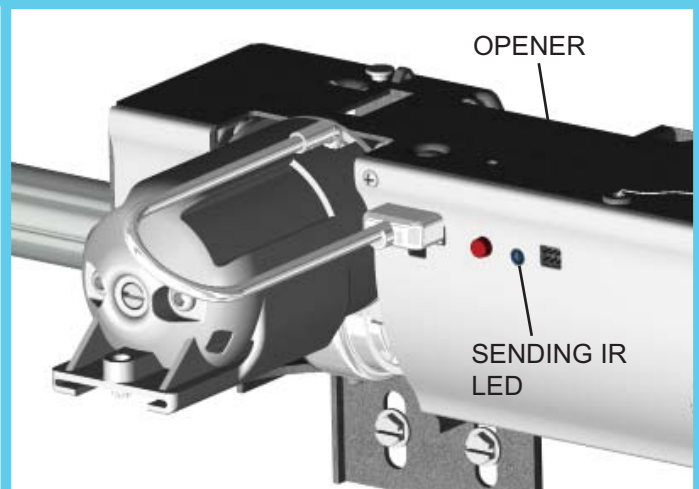
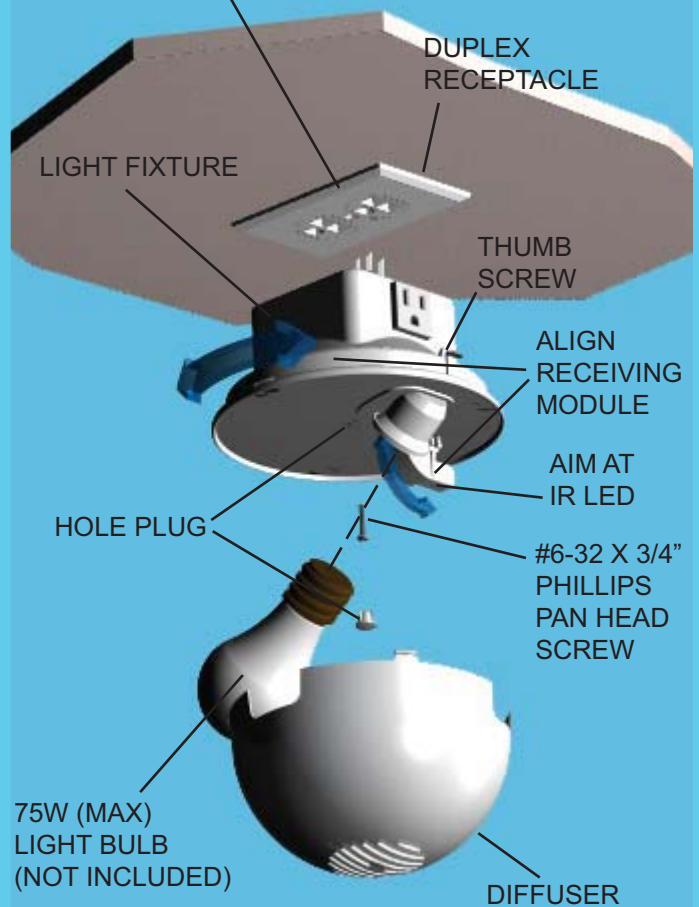
CEILING MOUNTING

Remove the center screw in the receptacle cover. Holding receptacle cover in place, insert light fixture into the receptacle that has the ground hole farthest from center screw hole. Remove center hole plug from light fixture to expose the screw hole. Secure light fixture to receptacle with a #6-32 x 3/4" phillips pan head screw. Replace hole plug into the screw hole in the light fixture. **NOTE: For temperature protection, the hole plug must be in place prior to using the light fixture.** Loosen thumb screw and rotate light fixture's bottom section to align the receiving module, side to side, with the sending LED on the opener. Re-tighten thumb screw, don't over tighten. Rotate receiving module to align, up and down, with the sending LED.

Screw a maximum 75W light bulb into light socket and snap diffuser into light fixture. **Turn receptacle power back on at fuse/breaker box.** The light should blink one time when the power is re-established.

NOTE: An accessory power outlet receptacle (600 Watt Maximum) is provided on the light fixture.

NOTE: RECEPTACLE COVER MUST BE INSTALLED IN-BETWEEN THE LIGHT FIXTURE AND THE CEILING



Light Fixture Installation (Continued)

WALL MOUNTING

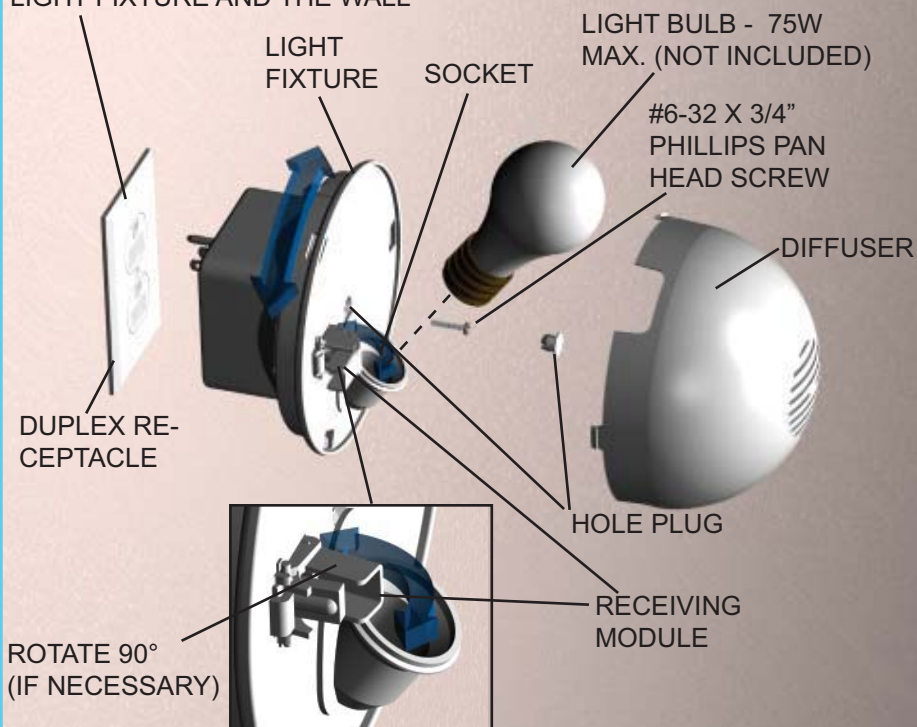
Depending on location, the light fixture may need to be adjusted from its packaged position.

When mounting on a wall parallel to the opener, rotate the receiver module inward to a maximum of 90° until the receiver module is best aligned with the sending LED. Mount light to a receptacle and align the receiving module per previous instructions.

To mount the light fixture on a wall perpendicular to the opener, leave receiving module in the factory position.

Mount the fixture to a receptacle and align receiving module per previous instructions. Insert hole plug into the screw hole.

NOTE: RECEPTACLE COVER MUST BE INSTALLED IN BETWEEN THE LIGHT FIXTURE AND THE WALL



NOTE: For temperature protection, the hole plug must be in place prior to using the light fixture.

Screw in a maximum 75W light bulb into light socket and snap diffuser into light fixture. **Turn receptacle power back on at fuse box.**

Final alignment of the light fixture to the opener may be needed once the opener is electrically connected.

Step 18: Photoelectric Safety Sensor Installation

Select a mounting position 5 inches above the floor to center line of wall mounting bracket. The sending and receiving units should be mounted inside the door opening to minimize any interference by the sun. However, the sensors should be mounted as close to the door track or inside edge of the door as possible to offer maximum entrapment protection. It is very important that both wall brackets be mounted at the same height for proper alignment.

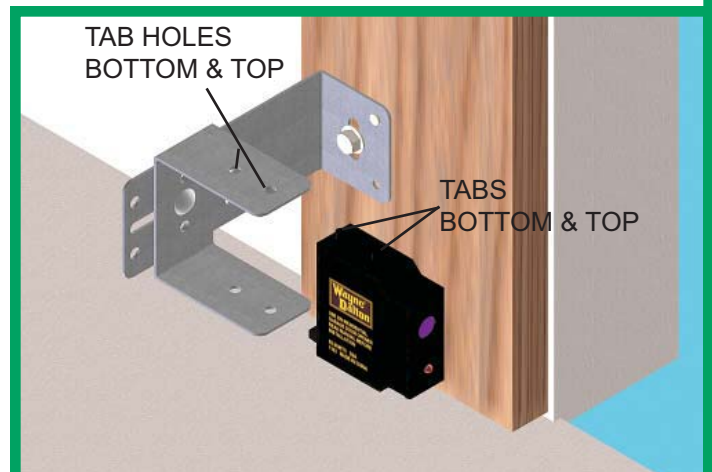
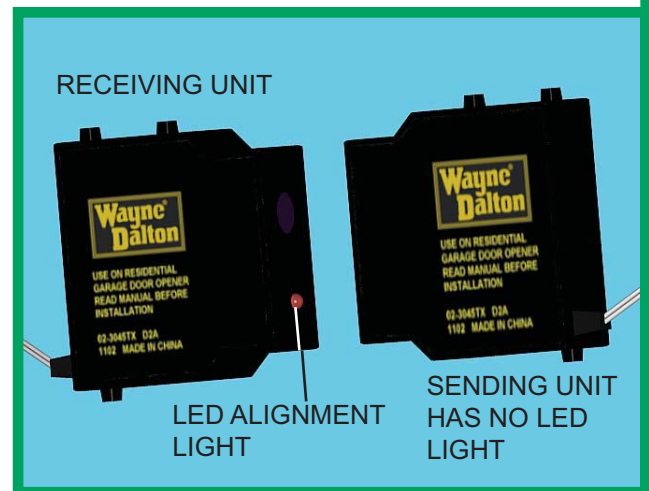
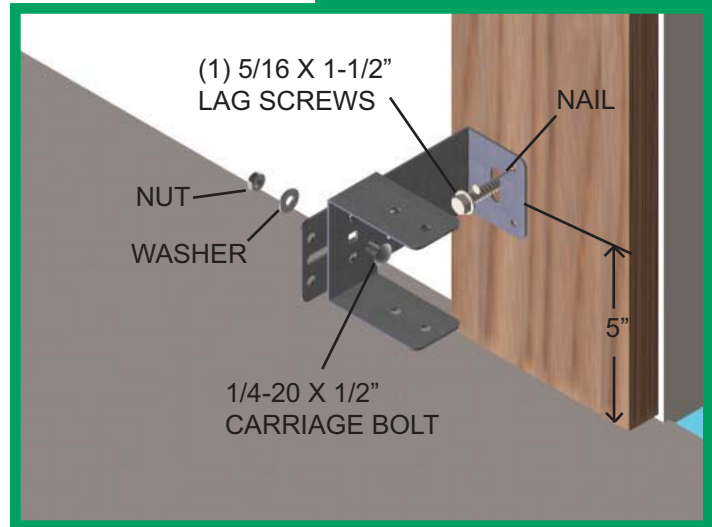
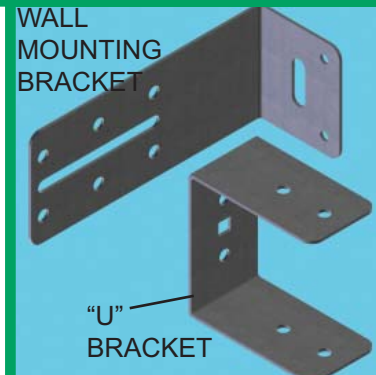
The brackets may be temporarily mounted to the jamb with a 1" flat head nail (provided) using the small hole above the slot. Using two 5/16 x 1-1/2" lag screw (provided), permanently mount the wall mounting brackets to both door jambs. In some installations it may be necessary to attach a wooden spacer to the wall to achieve the required clearance.

Attach the "U" brackets to the wall brackets with a 1/4-20 carriage bolt, washer and nut (provided). Insert the bolt from the inside of the "U" bracket and hand tighten only at this time.

Identify which side of the garage door opening (if any) is "likely" to be exposed to the sun. Since sunlight may affect photoelectric sensors, you should mount the sending unit (not the receiving unit) on the side of the door opening most exposed to the sun.

NOTE: If wires must be lengthened or spliced into prewired installation, use wire nuts or suitable connectors.

Attach the sending and receiving units to the "U" brackets by inserting their tabs into the respective holes.



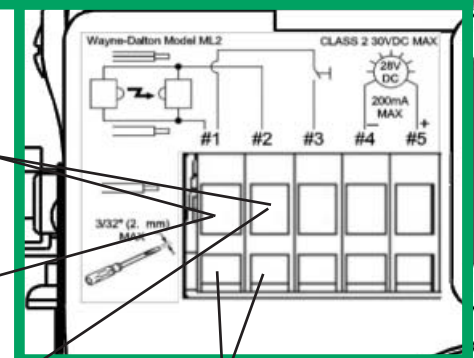
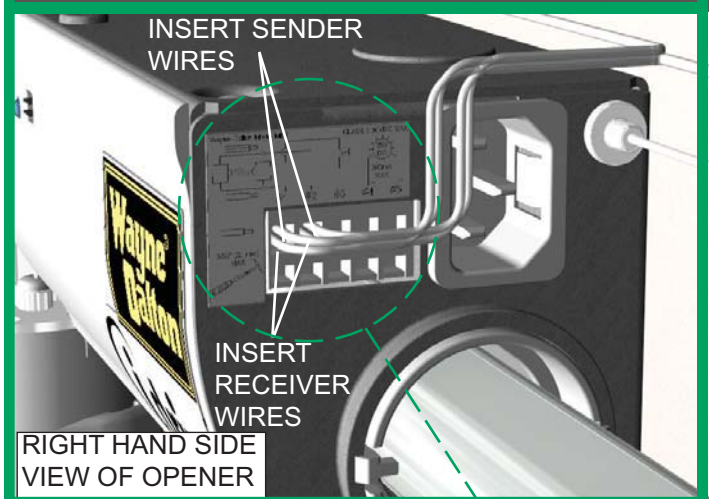
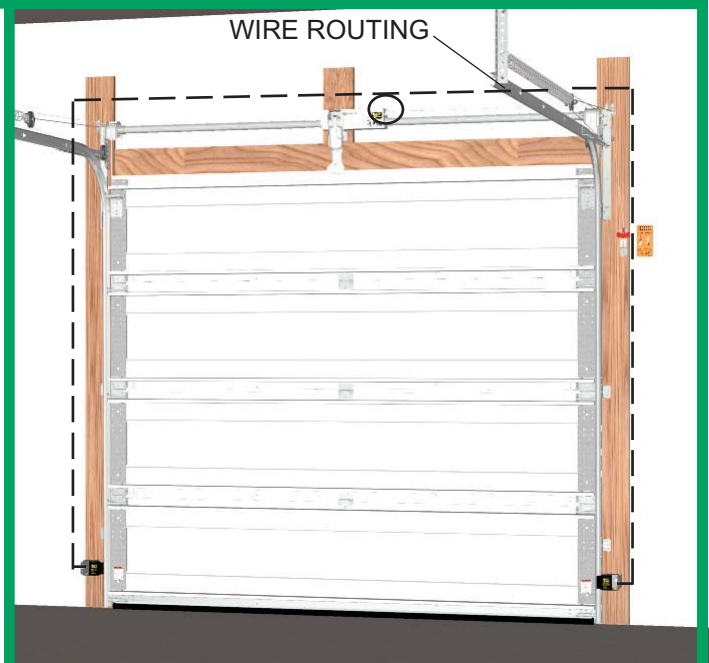
Photoelectric Safety Sensor Installation Continued

Uncoil wires from photoelectric sensors and route wires up garage wall and along door header towards the right side of the opener. Route wires above torque tube and tack wires in place with insulated staples (not supplied). Take care to run wires in a location where they will not interfere with the operation of the door and do not staple through wire.

Connect photoelectric sensors to the opener terminal block in right side of the opener. Separate wire ends and strip about 1/2" of insulation off each of the wire ends. Insert a 3/32" (2,5 mm) max. width flathead screwdriver into the lower hole #1 of the terminal block. Twist screwdriver to open wire clamp in upper hole #1 of terminal block. Insert both sender and receiver solid white wires into upper hole #1 until the wires bottom out and release screwdriver tension. Insert both sender and receiver wires (white with black strip) into upper hole #2 by the same process on lower hole #2 of terminal block. Once wires are connected install jumper on to the left most set of pins labeled "PE", located on the front of the opener.

IMPORTANT! Keep sender/receiver wires away from moving members.

Be sure to observe polarity. Pull on external wires to test for secure connection. Check that the wires are stapled in place and staples have not cut wire insulation.

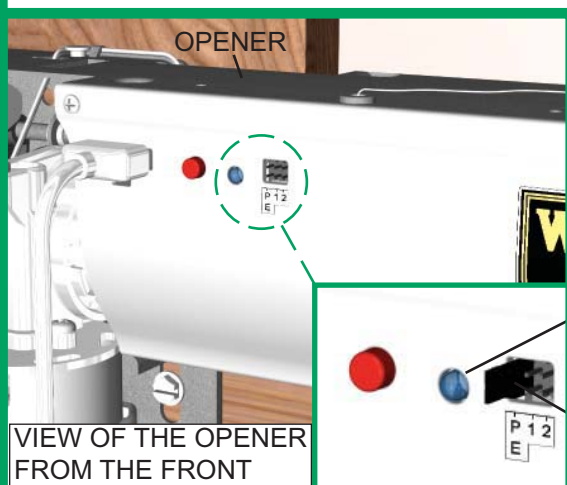


INSERT WIRES INTO UPPER HOLES

SOLID WHITE WIRES

WHITE WIRES WITH BLACK STRIPES

INSERT SCREWDRIVER INTO LOWER HOLES



VIEW OF THE OPENER FROM THE FRONT

SENDING IR LED

JUMPER INSTALLED ON PINS "PE"

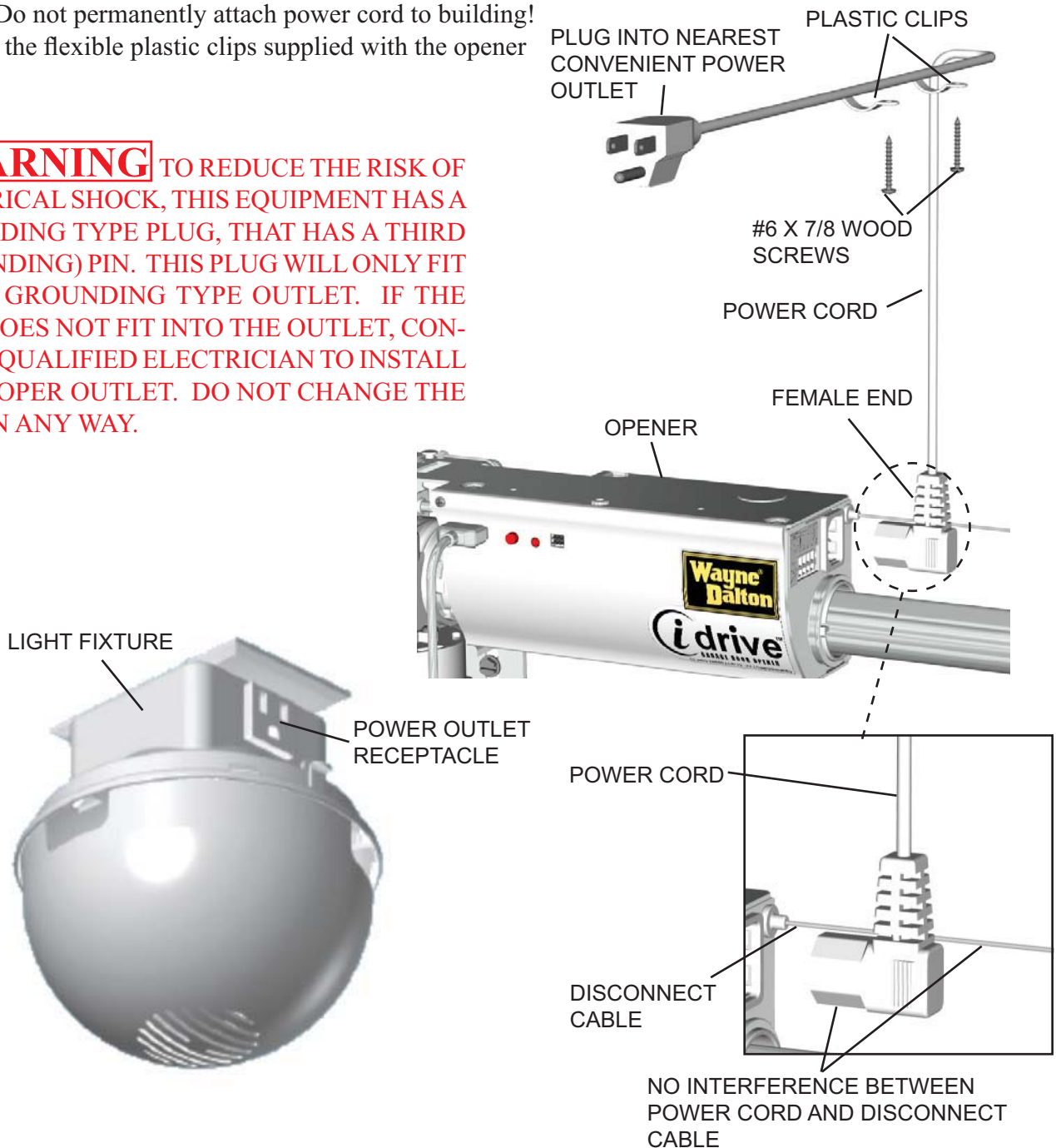
Step 19: Power Connection (Standard Wiring)

Plug the female end of power cord into the inlet connector on the right side of opener. Plug the other end of the opener power cord into the nearest convenient power receptacle. (If the power cord is not long enough to reach the closest receptacle, the *idrive*™ Powercord Extender kit is available, otherwise contact a service person for further options.) As soon as power is applied to the opener, the light fixture will light up. If the light fixture does not light, adjust the receiver module alignment. Unplug, then plug back in the power cord. Repeat this process until the light comes on. Ensure there is no obstruction between the opener and the light fixture. Refer to **Step 17: Light Fixture Installation** for the alignment procedure.

Excess power cord length must be routed and contained safely away from any moving members.

NOTE: Do not permanently attach power cord to building!
Use only the flexible plastic clips supplied with the opener

⚠ WARNING TO REDUCE THE RISK OF ELECTRICAL SHOCK, THIS EQUIPMENT HAS A GROUNDING TYPE PLUG, THAT HAS A THIRD (GROUNDING) PIN. THIS PLUG WILL ONLY FIT INTO A GROUNDING TYPE OUTLET. IF THE PLUG DOES NOT FIT INTO THE OUTLET, CONTACT A QUALIFIED ELECTRICIAN TO INSTALL THE PROPER OUTLET. DO NOT CHANGE THE PLUG IN ANY WAY.



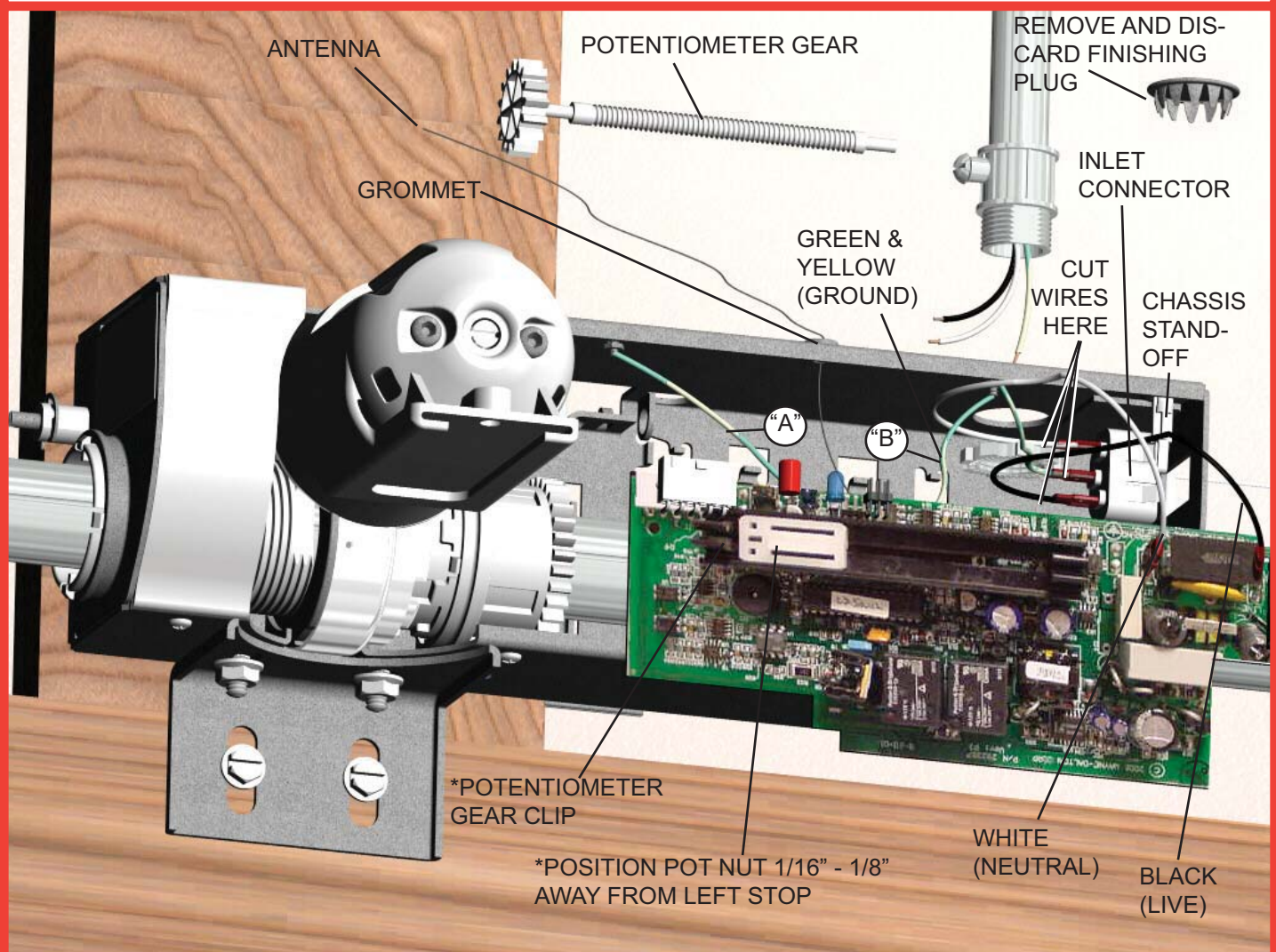
Step 20: Power Connection (Permanent Wiring Option)

Where required by local codes, the opener can be permanently wired. Services of a licensed electrician can be obtained to perform the following permanent wiring procedure.

⚠WARNING DISCONNECT POWER AT FUSE/BREAKER BOX BEFORE PROCEEDING.

Using a phillips head screwdriver, remove the two screws from the right hand cover and unplug motor power cable. Remove right hand cover from the opener to expose electronics and wiring.

Remove potentiometer gear and finishing plug. Unsnap the circuit board from the chassis stand-offs and remove the circuit board as shown. NOTE: Do not disconnect the two ground wires (A & B) from the circuit board or the chassis. Cut three wires, leading to the inlet connector, at the base of the connector. Route wires inside of the conduit through the top hole in the opener. Using wire nuts, splice each conduit wire with the corresponding wire inside the opener as follows: opener black (line), opener white (neutral), and opener yellow and green (ground). Reinstall the circuit board back into the opener chassis and snap the board back into the chassis stand-offs. NOTE: Make sure antenna wire is routed through the chassis grommet when board is installed. Confirm pot position* shown below. Reinstall the potentiometer gear, right hand cover, and screws. Plug in the motor power cable.

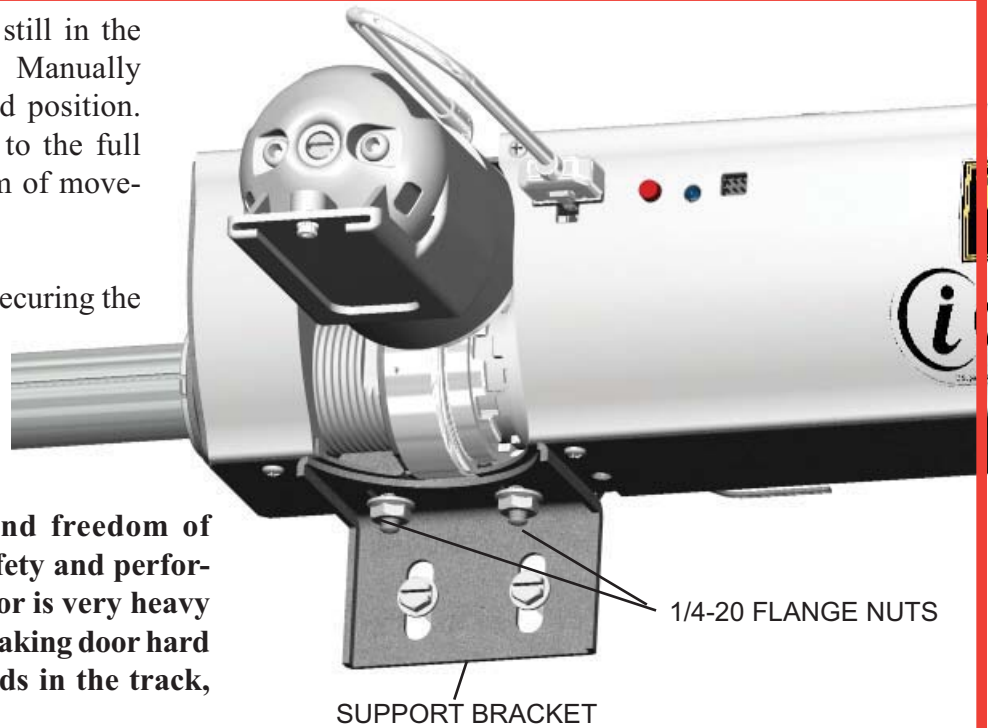


Step 21: Securing the Opener

With the emergency disconnect still in the manual door operated position: Manually raise the door to the full upward position. Then, manually lower the door to the full closed position verifying freedom of movement and good door balance.

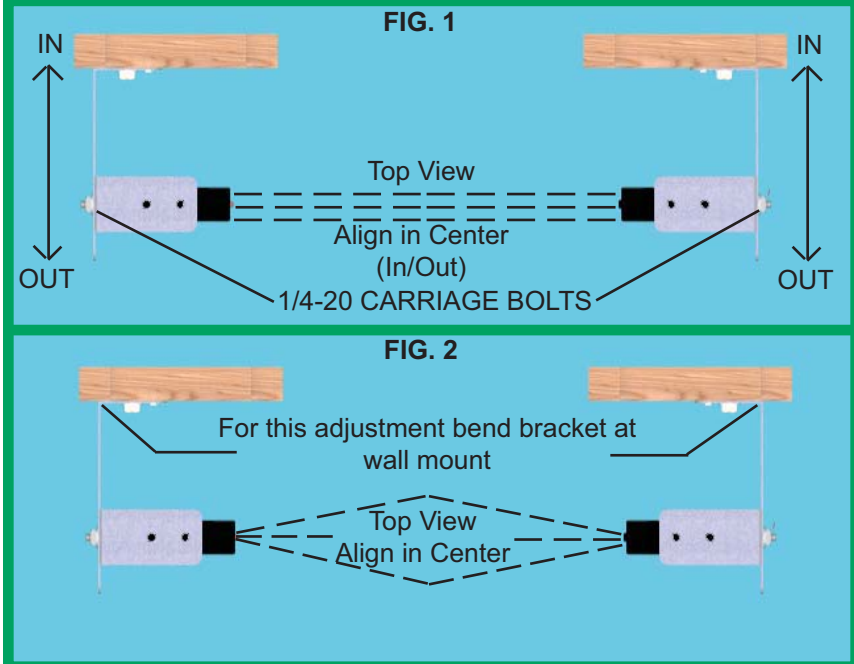
Tighten both 1/4-20 flange nuts, securing the opener to the support bracket.

NOTE: Good door balance and freedom of movement are critical to the safety and performance of the door opener. If door is very heavy to lift or if springs are too tight making door hard to close or if door sticks or binds in the track, now is the time to correct it.



Step 22: Photoelectric Safety Sensor Alignment

IMPORTANT! - This infrared safety sensor sends an invisible beam of light from the sending unit to the receiving unit across the pathway of the door. The door opener will not operate until the safety sensor is connected to the power unit and properly aligned. If the invisible beam of light is obstructed, an open door cannot be closed by the transmitter or a momentary activation of the wall mounted push button. However, the door may be closed by holding your finger on the wall push button (constant pressure) until the door travels to a fully closed position. The safety sensors must be aligned by moving the sending and receiving units in or out (see **Fig. 1**) until the alignment light on the receiving unit comes on. The 1/4-20" carriage bolt can be loosened to move the unit in or out, as required. If you have difficulty aligning beams, check that both brackets are mounted at the same height and remount if necessary. Additional minor adjustments can be made by lightly bending the mounting brackets (see **Fig. 2**).



⚠ WARNING FAILURE TO MAKE ADJUSTMENTS COULD RESULT IN SEVERE OR FATAL INJURY.

Once the alignment light comes on, tighten all bolts and mounting screws. Finish securing all wire making sure not to break or open any of the conductors. Loop and secure any extra wire.

Step 23: Wall Station Security Code Change and Programming

NOTE: The user must change the wall station's security code before using the wall station.

This code setting sequence is only required the first time the wall station is used.

Overview: When changing the wall station's security code, the user will have to hold the light button down for approximately 10 seconds, then release the button momentarily, and finally hold the button down again for approximately 5 seconds.

Changing the wall station's security code:

1. Press and hold the wall station's light button for approximately 10 seconds until the wall station's LED begins to blink rapidly. Once the LED starts blinking release the wall station's light button; the LED will turn off.
2. Press and hold the wall station's light button again (LED will light) for approximately 5 seconds. After approximately 5 seconds the LED will begin to blink on and off. Release the light button. The wall station's LED will blink on and off three times indicating a successful security code change.

The wall station is now ready to be programmed to the opener.

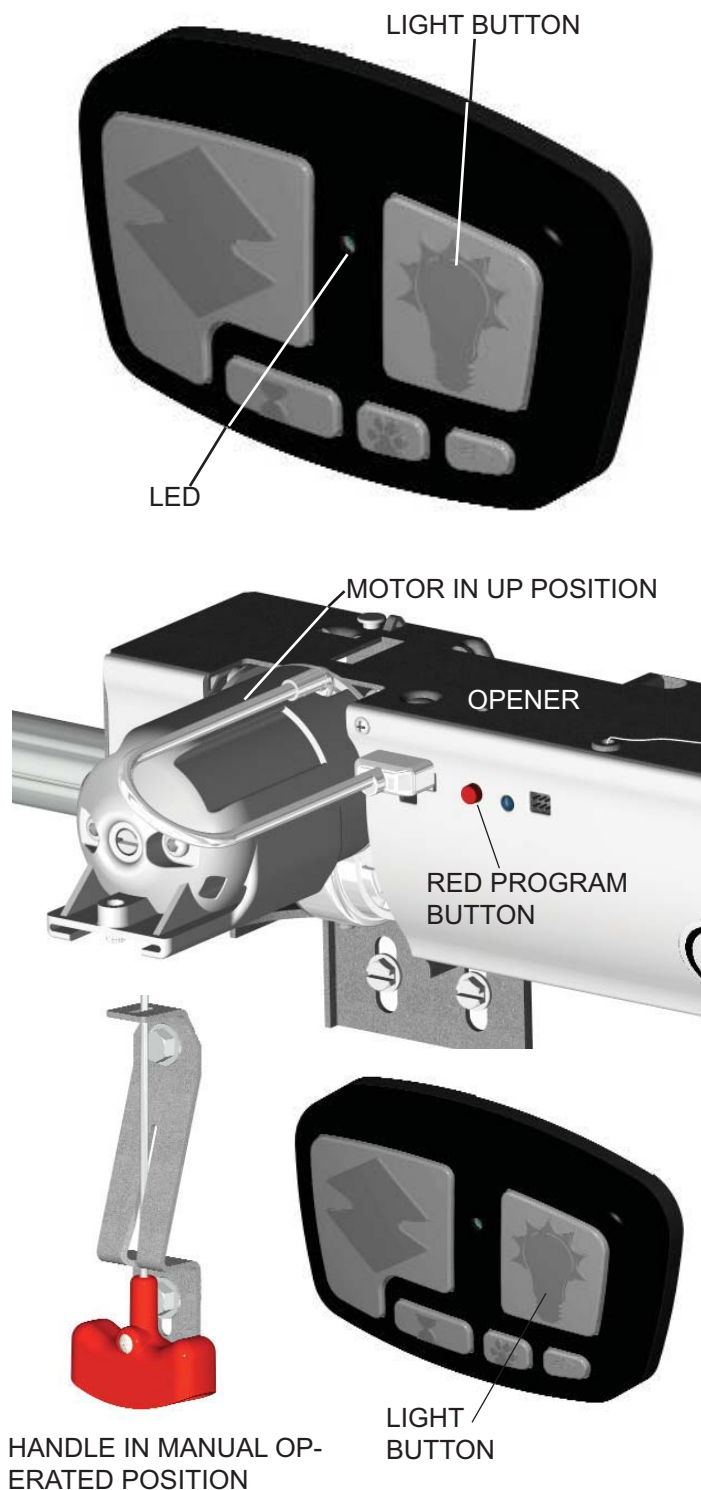
Wall Station Programming

To program wall station:

1. Verify the emergency disconnect handle is in the manual door operated position (lower position). This is for safety reasons.
2. On the front cover of the opener, press and release the red program button; the opener will beep once, indicating activation of the program mode. The opener will remain in program mode for 30 seconds.
3. Press and hold the wall station light button until the opener beeps one time. The wall station is now programmed.
4. Return the emergency disconnect handle to the motor operated position (upper position).

No beeping response of the opener during the wall station programming indicates a programming failure. Repeat programming **Steps 1-4**.

NOTE: Programming failure can occur during the wall station programming if the remote control is too close to the opener during the programming sequence. Perform the programming with a minimum of six feet between the remote control and the opener.



NOTE: The first wall station command, after programming, will only move the door through a six-inch up/down cycle. Normal door operation will occur on the second usage of the wall station.

NOTE: The opener can be activated by up to six remote control devices (including wall station, transmitter, and keyless entry devices.) If a seventh control is programmed, the first of the programmed controls will be overridden and will no longer activate the opener.

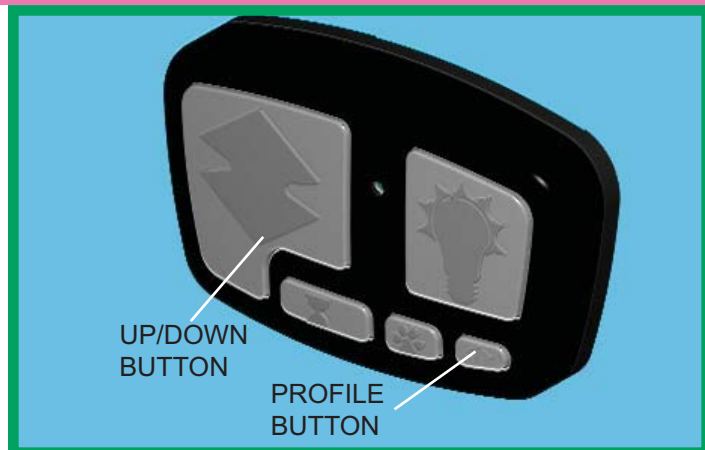
CAUTION: For safety reasons, manually disconnect the opener from the door using the emergency disconnect handle prior to erasing remote controls. To clear programming of all remote control devices, press and hold the opener's program button for approximately ten seconds. When the opener beeps three times, all remote controls are erased.



Step 24: Install Routine

The install routine automatically sets the door open and close limits and calibrates obstruction sensing. During install routine, the door will move up and down twice. Always keep a moving door in sight and away from people and objects until it is completely closed.

⚠ WARNING TO AVOID INJURY, NO ONE SHOULD CROSS THE PATH OF A MOVING DOOR!



NOTE: If no obstructions interfere with the door when manually opened and closed, proceed to **Step 24 a**. However, if an object such as a ceiling beam obstructed the door from opening completely, set a custom upper limit during the install routine, **Step 24 b**.

NOTE: The door must be in its fully closed position and the disconnect handle must be in the motor operated position (upper position) to initiate the install routine.

Step 24 a: Install routine with standard upper limit

Press and hold the profile button for five (5) seconds. The opener will beep twice, indicating the activation of the install routine, release the profile button. The door will now move to the full open position and stop. Then, the door will close completely. Next, the door will go through one more up/down cycle. Once this is complete, the door limits are set and the installation is complete.

Step 24 b: Install routine with custom upper limit

Press and hold the profile button for five (5) seconds. The opener will beep twice, indicating the activation of the install routine. When the door moves to the desired height, at least four feet off the ground, press the up/down button on the wall station. The door will stop and then close completely. Next, the door will go through one more up/down cycle. Once this is complete, the door limits are set and the installation is complete. Alternately: After an install routine has been completed, the door can be disconnected and manually moved to the desired upper limit. Reconnect door and initiate a new install routine from the new upper position.

Step 25: Detent Adjustment (if required)

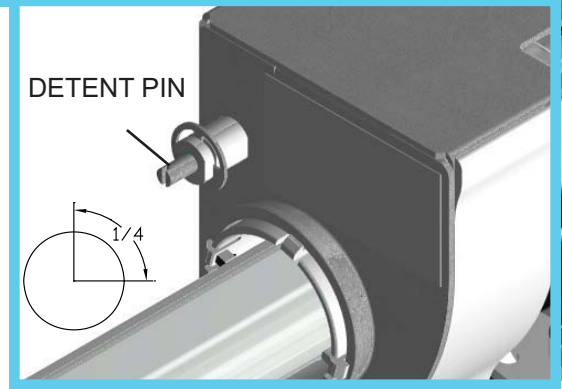
IMPORTANT! - FOR SYSTEM SECURITY: The motor is designed to pivot down after the door closes completely. If the motor does not pivot or pivots too soon, the detent may need to be adjusted in order for the door lock feature to work properly.

IMPORTANT! Before making any detent pin adjustments, check and adjust door balance. Door should not raise off of floor with spring tension alone, nor should it free fall from any open position.

The normal amount of pressure the opener uses to pivot the motor downward is preset at the factory via the detent pin adjustment screw. Due to variations in door installations, a detent pin adjustment may be needed in order to properly pivot the motor.

A.) If the motor does not pivot down, or pivots down only partially, the detent pin is set too hard. Using a flat head screwdriver, turn the detent pin COUNTER CLOCKWISE in 1/4 turn increments. Operate the door to confirm each adjustment. If the motor does not pivot on door closing adjust detent pin again. Repeat procedure until motor pivots to full down position when the door is completely closed.

B.) If the motor pivots down prematurely (before the door is completely closed) or if the motor is “slapping” too aggressively against the top of the door, the detent pin is set too soft. Using a flat head screwdriver, turn the detent pin CLOCKWISE in 1/4 turn increments. Operate the door to confirm each adjustment. If the motor pivots too soon, adjust detent pin again. Repeat procedure until motor pivots to full down position when the door is completely closed.



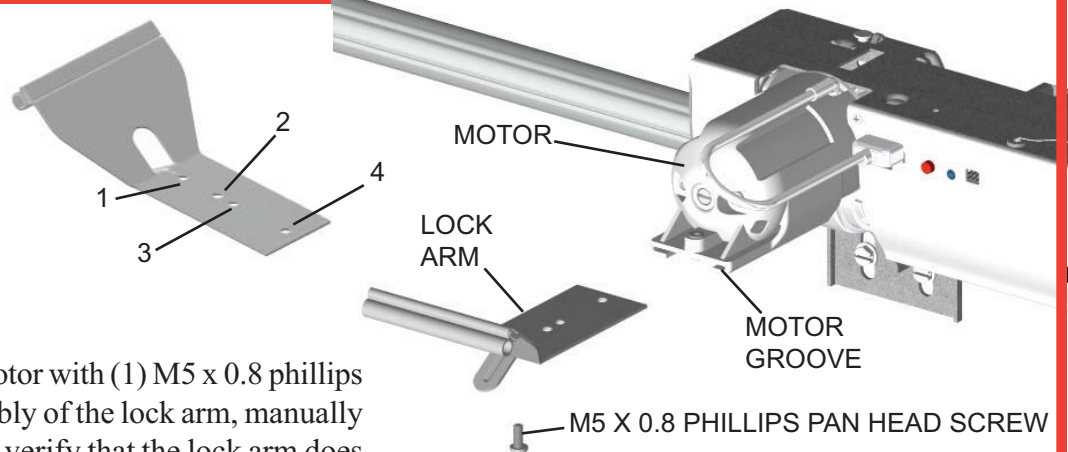
Step 26: Lock Arm Installation

Place the emergency disconnect in the manual operated position, motor will pivot to the up position. Insert the lock arm into the motor groove and align the lock arm to the #4 hole.

Secure the lock arm to the motor with (1) M5 x 0.8 phillips pan head screw. After assembly of the lock arm, manually raise and lower the door and verify that the lock arm does not interfere with the door. If there is interference between

the door and the lock arm, remove the pan head screw and align to the #3 hole. Secure with the phillips pan head screw. Try manually raising and lowering the door until there is clearance between the door and the lock arm.

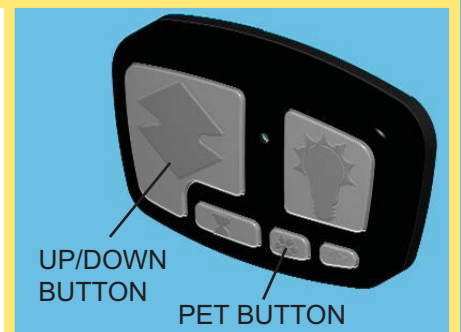
NOTE: Do not operate the door if there is interference between the lock arm and the door. Reconnect the



Step 27: Custom Settings

Custom pet position: Normal install routine sets the pet position to approximately eight inches above the ground. The pet opening height may be changed to open anywhere between 8” and 30” above the ground. To change the automatic pet opening height refer to the following procedure:

1. After completion of the normal install routine, with the door in the closed position, place the disconnect handle in the manual operated position.



Manually position the door to the desired pet opening height (between 8" and 30" above ground) and return disconnect handle to the motor operated position.

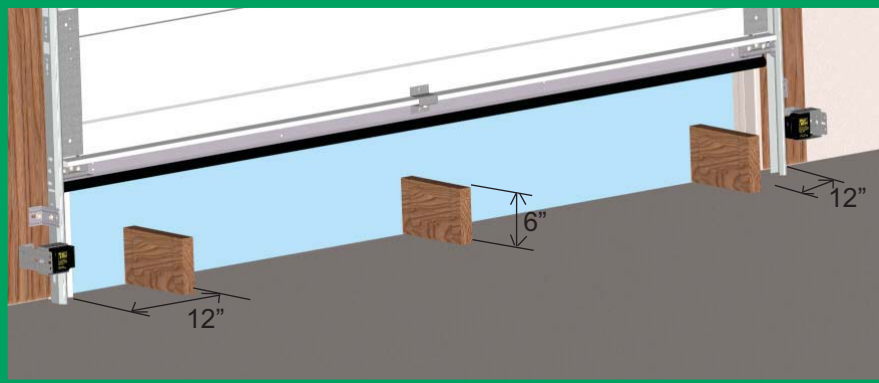
2. Simultaneously depress the pet and up/down buttons on the wall station. The opener will beep once. The pet button is now programmed to automatically open the door to this custom height.

NOTE: The opener will NOT accept programmed pet lock position if door is below 8" or higher than 30".

NOTE: Activation of the normal install routine will reset the pet position to the default eight inch target height. For use of the pet button see Operation section.

Step 28: Photoelectric Obstruction Sensor Test

Starting with the door in the fully open position, place a 6" high object on the floor progressively one foot from the left side of the door, center of door and one foot from the right side of the door. In each position, activation of the opener with the wallstation up/down button should cause the door to move no more than one foot, stop and then reverse to fully open position. The same 6" high object when placed on the floor, while door is closing, should also cause the door to reverse.



⚠ WARNING WHEN PERFORMING THIS PART OF THE TEST, DO NOT PLACE YOURSELF UNDER DESCENDING DOOR, OR SEVERE OR FATAL INJURY MAY RESULT.

⚠ WARNING IF THE OPENER DOES NOT RESPOND PROPERLY, OR FAILS THESE TEST, HAVE A QUALIFIED SERVICE PERSON MAKE NECESSARY ADJUSTMENTS/REPAIRS. FAILURE TO MAKE ADJUSTMENTS COULD RESULT IN SEVERE OR FATAL INJURY.

Step 29: Contact Obstruction Test

After installing the opener, the door must reverse when it: contacts a 1-1/2" (38mm) high object (or a 2 x 4 board laid flat) on the floor. To verify proper operation:

1. Using the wall station, activate the door to the fully open position .

2. Place a 2 x 4 board laid flat on the garage floor under the door path.

3. Activate the door to the closed position with the wallstation; upon contacting a solid object, the door will stop, then reverse direction within two seconds and travel to the full open position.

If the door does not respond to the required tests, remove 2 x 4 and repeat install routine making sure the door is in the fully closed position prior to activation. If problem persists contact Wayne Dalton Customer Service (888) 827-3667



⚠ WARNING IF OPENER DOES NOT RESPOND PROPERLY AND FAILS EITHER OF THE TWO TESTS (28 AND 29), DOOR MAY CAUSE A SEVERE OR FATAL INJURY. HAVE A QUALIFIED

Step 30: Transmitter Security Code Change and Programming

NOTE: The user must change the transmitter's security code before using the transmitter.

This code sequence is only necessary the first time the transmitter is used.

Overview: When changing the transmitter's security code, the user will have to hold the large button down for approximately 10 seconds, then release the button momentarily, and finally hold the button down again for approximately 5 seconds.

CHANGING THE TRANSMITTER'S SECURITY CODE:

1. Press and hold the large transmitter button for approximately 10 seconds until the transmitter's LED begins to blink rapidly. Once the LED starts blinking, release the large transmitter button; the LED will turn off.
2. Press and hold the large transmitter button again (LED will light) for approximately 5 seconds. After approximately 5 seconds the LED will begin to blink on and off. Release the large button. The transmitter's LED will blink on and off three times indicating a successful security code change. The transmitter is now ready to be programmed to the opener.

TRANSMITTER PROGRAMMING:

To program transmitter:

1. Place the emergency disconnect handle in the manual door operated position. This is for safety reasons.
2. On the front cover of the opener, press and release the red program button; the opener will beep once, indicating activation of the program mode. The opener will remain in program mode for 30 seconds.
3. Press and hold the desired transmitter button until; the opener beeps once. The transmitter is now programmed.
4. Return the emergency disconnect handle to motor operated position.

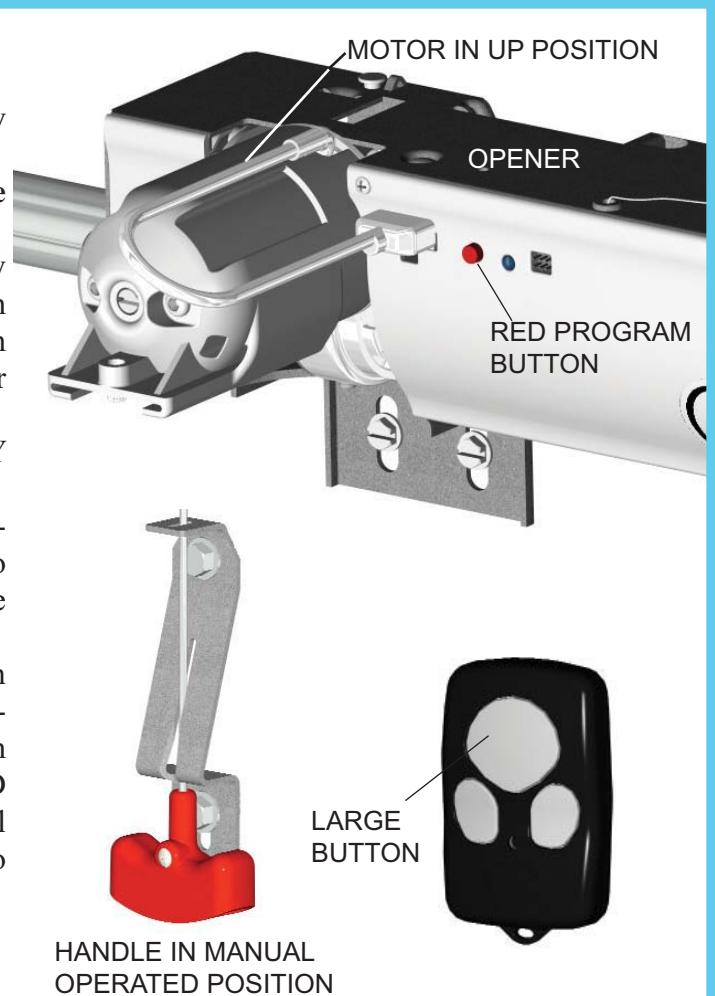
NOTE: No beeping response of the opener during the transmitter programming indicates a programming failure. Repeat programming 1-4.

NOTE: Programming failure can occur during the transmitter programming if the remote control is too close to the opener during the programming sequence. Perform the programming with a minimum distance of six feet between the remote control and the opener.

NOTE: The first transmitter command, after programming, will only move the door through a six-inch up/down cycle. Normal door operation will occur on the second usage of the transmitter.

NOTE: The opener can be activated by up to six remote control devices (including wall station, transmitter, and keyless entry devices.) If a seventh control is programmed, the first of the programmed controls will be overridden and will no longer activate the opener.

CAUTION: For safety reasons, manually disconnect the door from opener using the emergency disconnect handle prior to erasing remote controls. To clear programming of all remote control devices, press and hold the opener's program button for approximately ten seconds. When the opener beeps three times, all remote controls are erased.



Step 31: Programming HomeLink™ to *idrive*™

NOTE: This step can only be done on automobiles equipped with the HomeLink™ System.

CAUTION:

During programming, the garage door may operate. Pull the emergency disconnect handle to put the operator in the manually operated position. Make sure people and objects are out of the way of the moving door to prevent potential harm or damage.

NOTICE: Programming HomeLink™ requires Wayne-Dalton transmitter that is programmed to the *idrive*™ per **Step 30**.

ATTENTION:

Use the programming instructions provided with your vehicle first. Follow these instructions if the HomeLink™ unit does not learn the transmitter.

PROGRAMMING

Training HomeLink™ Unit

1. Pull the emergency disconnect handle to the manually operated position.
2. Press and hold the two outside buttons on the HomeLink™ unit for approximately 20 seconds until the HomeLink™ light begins to flash (approx. 1 flash per second), then release both buttons. (Do not perform this step to train additional hand-held transmitters.) Note that this operation erases all previously learned transmitters and that you need to re-teach any other transmitters to your HomeLink™ unit by repeating steps 3 - 6 below.
3. Hold the end of the Wayne-Dalton® hand-held transmitter approximately 1 to 3 inches away from the HomeLink™ surface – keeping the HomeLink™ indicator light in view.
4. Press and hold the Wayne-Dalton hand-held transmitter's large center button. The transmitter's red LED indicator will turn on. After 10 seconds the red indicator will blink rapidly for 5 seconds and then turn off, continue to hold the transmitter's button, the LED will remain off for approximately 5 seconds and then come on steady. Do not release the button.
5. While still holding the Wayne-Dalton transmitter button (red indicator on steady), immediately press the desired HomeLink™ button. Keep pressing the buttons until step 6 has been completed.
6. The HomeLink™ indicator light will be blinking during the training operation. When the HomeLink™ indicator light flashes rapidly or turns off (approx. 5 to 60 seconds), both buttons may be released. The HomeLink™ light flashing rapidly or turning off indicates successful programming of the new frequency signal.

Teaching Power Unit

7. Now press the PROGRAM SWITCH button located on the *idrive*™ opener. The *idrive*™ unit will beep, indicating that it is ready to learn.
8. Now press the HomeLink™ button used in Step 5 above for 1 to 3 seconds. *idrive*™ will beep once indicating a successful learn.
9. Return the emergency disconnect handle to the motor operated position.
10. Press the HomeLink™ button once more to operate the door. The first door operation after programming

Operation:

Important Safety Instructions

⚠️WARNING TO REDUCE THE RISK OF SEVERE OR FATAL INJURY:

1. READ AND FOLLOW ALL INSTRUCTIONS.
2. Never let children operate or play with the door controls. Keep remote controls away from children.
3. Always keep a moving door in sight and away from people and objects until it is completely closed. **NO ONE SHOULD CROSS THE PATH OF A MOVING DOOR.**
4. NEVER GO UNDER A STOPPED, PARTIALLY OPEN DOOR.
5. Test the door opener monthly. The garage door **MUST** reverse on contact with a 1-1/2 inch high object (or a 2 x 4 board laid flat) on the floor. After adjusting the limit of travel or profiling (install routine) retest the door. Failure to adjust the opener properly may cause severe or fatal injury.
6. When possible, use the emergency disconnect only when the door is in the closed position. Use caution when using the emergency disconnect when the door is open. Weak or broken spring(s) may allow the door to fall rapidly, causing a severe or fatal injury.
7. **KEEP THE GARAGE DOOR PROPERLY BALANCED.** See the owner's manual included with the door. An improperly balanced door could cause a severe or fatal injury. Have a qualified service person make repairs to the cables, spring assemblies, and other hardware.
8. **SAVE THESE INSTRUCTIONS.**

Door activation: Upon activation by either the wall station up/down button or transmitter, the door will move in the following manner:

1. If closed, the door will open. If open, the door will close.
2. If closing, the door will stop, reverse, and return to the open position. Next activation will close the door.
3. If opening, the door will stop. Next activation will close the door.
4. If an obstruction is encountered or an out-of-balance condition is detected while the door is closing, the door will reverse, return to the open position, and the opener will beep (3) or (4) times. The next activation will close the door.
5. If an obstruction is encountered or an out-of-balance condition is detected while opening the door, the door will stop. The next activation will close the door.
6. When door is in motion any button on the wall station functions the same as the up/down button.

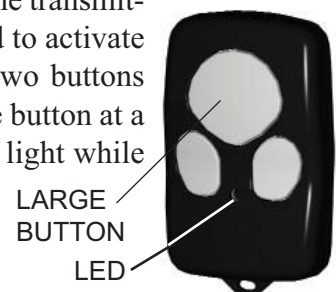
⚠️WARNING NEVER LET CHILDREN OPERATE OR PLAY WITH THE DOOR CONTROLS. KEEP REMOTE CONTROLS AWAY FROM CHILDREN. FATAL INJURY COULD RESULT SHOULD A CHILD BECOME TRAPPED BETWEEN THE DOOR AND THE FLOOR.

⚠️WARNING ALWAYS KEEP A MOVING DOOR IN SIGHT AND KEEP PEOPLE AND OBJECTS AWAY UNTIL IT IS COMPLETELY CLOSED. TO PREVENT A SEVERE OR FATAL INJURY, AVOID STANDING IN A OPEN DOOR WAY OR WALKING THROUGH THE DOORWAY WHILE THE DOOR IS MOVING.

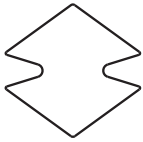
Transmitter Operation:

Momentarily pressing the large transmitter button, or the button programmed in the transmitter programming step, activates the door. Other buttons can also be programmed to activate different doors, for multi-door installations. Each button or a combination of two buttons pressed simultaneously can be programmed to activate a different door. Only one button at a time can be programmed to activate a specific opener. The transmitter LED will light while any transmitter button remains pressed.

NOTE: Refer to **Step 30** for transmitter programming instructions.



Wall Station Operation:



Momentarily pressing the **up/down** button activates the door. If an out-of-balance condition causes the door to stop while opening or reverses the door while closing, applying constant pressure to the up/down button until the door is fully open or closed will allow the opener to move the door in this condition until the problem is corrected. See Troubleshooting.

If a severe out-of-balance condition causes the door to stop while closing, the door can **ONLY** be lowered by the following procedure:

Multiple activations of the up/down button will lower the door incrementally. Continue this process until the door is completely closed.

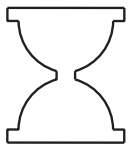
⚠️WARNING FAILURE TO MAKE ADJUSTMENTS/REPAIRS, COULD RESULT IN SEVERE OR FATAL INJURY.

⚠️WARNING DO NOT USE THE EMERGENCY DISCONNECT TO LOWER THE DOOR. THE DOOR COULD FALL RAPIDLY CAUSING A SEVERE OR FATAL INJURY.

The severe out-of-balance condition must be corrected before the door can be reactivated: **Contact a qualified service person immediately.**



Momentarily pressing the **light** button turns on the light fixture. The light fixture will remain on until either the light button is pressed again or the door is activated. The light fixture automatically turns on with a door activation and remains on for five minutes thereafter. Pressing the light fixture button before the five minutes has elapsed will turn off the light fixture. While the door is in motion, the light button functions identically as the up/down button, stopping or reversing the door immediately.



Momentarily pressing the **timer** button causes a delayed activation of a stationary fully open door. The opener will signal seven beeps (approx. 8 seconds) then beep constantly for two seconds prior to closing the door. Allow enough time to exit the garage when the opener is in the timer mode. Pressing any button, except for the profile button while the opener is beeping cancels the timer mode. **NOTE: The timer feature will only function with the door in the full open position. Pressing the timer button with a stationary door in any other position will cause the opener to beep four times and the door will not be activated.** While the door is in motion, the timer button functions identically as the up/down button, stopping or reversing the door immediately.



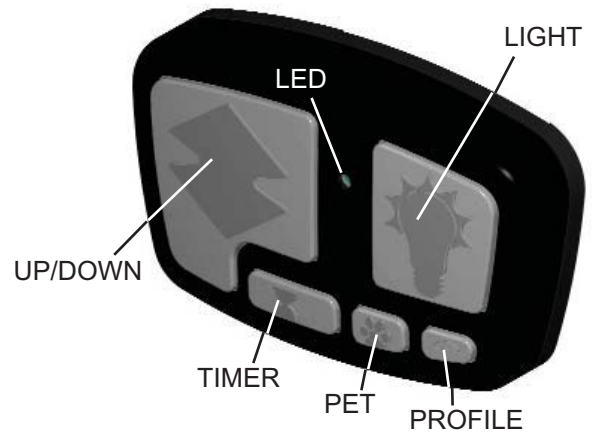
Pressing the **pet** button opens a closed door to a preset position between eight and thirty inches above the floor, allowing pets to enter and exit the garage without the door being fully open. The door must be fully closed to activate the pet open feature. Pressing the pet button with a stationary door in the pet open position will cause the door to close. Pressing the up/down button while the door is in the pet position will cause the door to open. While the door is in motion, the pet button functions identically to the up/down button, stopping or reversing the door immediately. The pet feature allows for custom setting of the pet position door height. See **Step 27: Custom Settings**.

NOTICE: A door in the “pet position” (open 8-30 inches) is not locked and should not be used as a secured door position.



Pressing and holding the **profile** button for five (5) seconds will initiate the “Install Routine”. Refer back to **Step 24** for complete Install Routine instructions and functions. The wall station LED will light while any wall station button remains pressed. See Maintenance section for battery replacement.

NOTE: Refer to **Step 23** for wall station programming instructions.



Manual Door Operation Emergency Disconnect:

⚠️ WARNING KEEP THE GARAGE DOOR PROPERLY BALANCED. AN IMPROPERLY BALANCED DOOR COULD CAUSE A SEVERE INJURY. HAVE A QUALIFIED SERVICE PERSON MAKE REPAIRS TO CABLES, SPRING ASSEMBLIES, AND OTHER HARDWARE.

⚠️ WARNING THE EMERGENCY DISCONNECT SHOULD ONLY BE USED WHEN THE DOOR IS CLOSED. USE EXTREME CAUTION IF OPERATING THE EMERGENCY DISCONNECT ON AN OPEN DOOR. WEAK OR BROKEN SPRING(S) MAY ALLOW THE DOOR TO FALL RAPIDLY, CAUSING A SEVERE OR FATAL INJURY.

The opener is equipped with an emergency disconnect that allows the door to be moved manually and independent from the opener.

With the door closed, pull down on the disconnect handle and place the handle under the lower section of the handle bracket. This motion causes the motor on the opener to pivot upwards and the opener to disconnect from the torque tube.

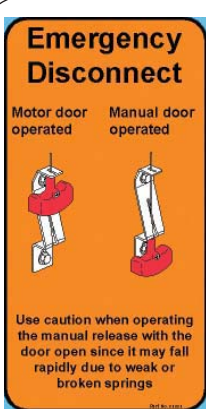
Releasing the disconnect handle from the lower section on the handle bracket and returning the handle to its original position will reconnect the opener to the torque tube.

NOTE: The motor will not pivot down completely when the handle is released. After one motorized up/down door cycle, the motor will once again pivot down, and all cable slack will be taken up. The garage door is not locked, secure from forced entry, until the motor is back in the down position.

MOTOR DOWN POSITION (DOOR LOCKED)



DISCONNECTED, MOTOR UP POSITION



Disconnect Label: The label is located next to the disconnect handle. The adjacent view shows the handle in both the motor operated and manual operated positions. View on the left side of the label shows the handle position when the opener is engaged to the torque tube. The view on the right side of the label shows the handle when the opener is disconnected from the torque tube.

NOTE: Use extreme caution if disconnecting. The emergency disconnect should not be used when the door is in the open position. Weak or broken spring(s) may allow the door to fall rapidly causing a severe or fatal injury.

Maintenance:

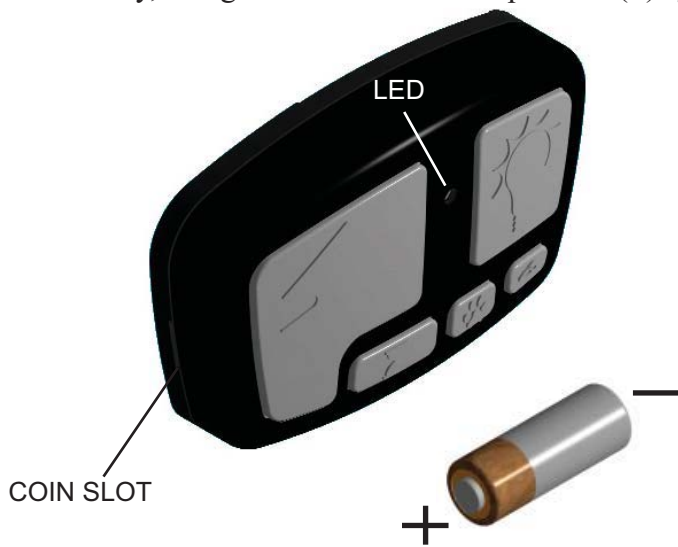
Monthly Maintenance:

1. With door fully closed, manually operate the door with the emergency disconnect in the manual door operated position. If the door feels unbalanced or binds, have a qualified service person repair or make adjustments to the door.
2. Perform the contact/obstruction tests. See **Step 29** for the contact/obstruction test instructions. Inability to activate a door using the transmitter or wall station may be caused by a weak or dead battery. Press and hold the activation button on either the transmitter or the wall station. If the LED does not light, this is an indication that the battery is weak or dead. Replace the battery.

NOTE: Dispose of dead batteries properly.

Battery replacement:

Insert a coin in the coin slot of the transmitter or wall station and twist coin to access the dead battery. Replace the battery, being careful to match the positive (+) symbols on the circuit boards with the battery.



NOTE: Use only MN21 or equivalent 12-volt batteries.



NOTE: Some transmitters use two CR2016 or equivalent batteries while others use a single MN21 or equivalent battery.

Troubleshooting

SYMPTOM	PROBABLE CAUSE	CORRECTIVE ACTION
Opener does not respond to the wall station or transmitter?	No power to the opener. Controls are not programmed.	Check the opener power cord to outlet connection. See code change and programming section.
Opener works from the wall station but not the transmitter?	Transmitter is not programmed. Weak or dead wallstation battery.	See code change and programming section. See maintenance section for battery replacement.
Opener works from the transmitter but not from the wall station?	Wall station is not programmed. Weak or dead wallstation battery.	See code change and programming section. See maintenance section for battery replacement.
Door does not move and the opener beeps two times?	The install routine has not been performed.	Perform the install routine.
Door does not move with the remote control command and no beeps come from the opener? Door does not move with a remote control command and opener beeps one time?	Blown fuse or tripped circuit breaker. No power to the opener. Possible damaged motor wiring.	Reset the circuit breaker or contact a qualified service person for fuse information. Check power cord connection. Call a qualified service person.
Door stops or reverses, and the opener beeps three or four times?	Obstruction encountered. Out-of-balance condition detected.	Clear the door path. Contact a qualified service person.
Door does not close properly?	Counterbalance cables are not on the drums properly.	Apply constant pressure to the wall station's up/down button to close the door.
Door will not close?	Thermal delay: The door has cycled eight times in a five minute period. Contact obstruction test failure.	Door will operate after a oneminute waiting period. Repeat the install routine or contact a qualified service person.
Door does not travel to a full open or full close position?	Door is out of balance. Door limits are set improperly.	Call a qualified service person. Repeat the install routine.
Door is not sealing to the floor?	Bottom door limit is set too high.	Disconnect the opener and force the door to the floor by rotating the torque tube. Reconnect the opener and activate the install routine.
Door is reversing at or near the floor? Motor does not pivot up fully when door is opening?	Counterbalance springs have too much tension.	Call a qualified service person. Install routine may have to be repeated.

Troubleshooting (continued...)

SYMPTOM	PROBABLE CAUSE	CORRECTIVE ACTION
Door is reversing at or near the floor?	<p>Outside door seal is too tight against the face of the door.</p> <p>Vertical track is spaced too close to the bottom door section, causing the door to bind.</p>	<p>Reinstall the door seal so as to be not so tight against the face of the door.</p> <p>Contact a qualified service person.</p>
Light fixture will not light during the door operation or by pressing the wall station light button?	<p>Misalignment of the light fixture to the opener.</p> <p>Obstruction between light & opener.</p> <p>Sending LED blocked by opener cover.</p>	<p>Adjust light fixture alignment of the receiver module with the sending LED on the opener.</p> <p>Remove obstruction.</p> <p>Reposition LED to protrude through cover hole.</p>
Motor does not pull fully up when using the emergency disconnect?	Disconnect cable has slipped inside of handle.	Re-install handle per instruction in Step 14.
Motor starts but the door will not move?	Opener is disconnected from the torque tube.	<p>Ensure disconnect handle is in the "motors operated" position.</p> <p>Re-install handle per instructions in Step 14.</p>
<p>Motor does not pivot down?</p> <p>Motor pivots partially after the door closes?</p>	Detent pin is set too hard.	<p>Using a screwdriver, rotate the detent pin counterclockwise in 1/4 turn increments until the motor fully pivots down after the door closes.</p> <p>Refer to step 25.</p>
Motor pivots down prematurely (before the door closes completely)?	Detent pin is set too soft.	Using a screwdriver, rotate detent pin clockwise in 1/4 turn increments; until motor fully pivots down after door closes, and opener immediately shuts off. See step 25.

Lock Arm Troubleshooting

SYMPTOM	PROBABLE CAUSE	CORRECTIVE ACTION
---------	----------------	-------------------



LIFETIME LIMITED WARRANTY

The Manufacturer warrants that the *i drive*™ garage door opener will be free from defects in materials and workmanship including electronic components for a period of **FIVE YEARS** from the date of installation, provided it is properly installed, maintained and cared for under specified use and service. The motor has an extended **LIFETIME** warranty against defects in materials and workmanship.

This Warranty extends to the original homeowner, providing the garage door opener is installed in his/her place of primary residence. It is not transferable. The warranty applies to residential property only and is not valid on commercial or rental property.

NO EMPLOYEE, DISTRIBUTOR, OR REPRESENTATIVE IS AUTHORIZED TO CHANGE THE FOREGOING WARRANTIES IN ANY WAY OR GRANT ANY OTHER WARRANTY ON BEHALF OF MANUFACTURER.

The Manufacturer shall not be responsible for any damage resulting to or caused by its products by reason of installation, improper storage, unauthorized service, alteration of products, neglect or abuse, any acts of nature beyond Manufacturer's control (such as, but not limited to, lightning, surges, water damage, etc.), or attempt to use the products for other than the customary usage or for their intended purposes. The above warranty does not cover normal wear or any damage beyond Manufacturer's control or replacement labor.

THIS WARRANTY COVERS A CONSUMER PRODUCT AS DEFINED BY THE MAGNUSON-MOSS WARRANTY ACT. NO WARRANTIES, EXPRESSED OR IMPLIED, (INCLUDING, BUT NOT LIMITED TO, THE WARRANTY OF MERCHANTABILITY OR FITNESS FOR A PARTICULAR PURPOSE), SHALL EXTEND BEYOND THE APPLICABLE TIME PERIOD STATED IN BOLD FACE TYPE ABOVE.

Claims for defects in material and workmanship covered by this warranty shall be made in writing to the dealer from whom the product was purchased within the warranty period. Manufacturer may either send a service representative or have the product returned to the Manufacturer at Buyer's expense for inspection. If judged by Manufacturer to be defective in material or workmanship, the product will be replaced or repaired at the option of the Manufacturer, free from all charges except authorized transportation and replacement labor.

THE REMEDIES OF BUYER SET FORTH HEREIN ARE EXCLUSIVE AND ARE IN LIEU OF ALL OTHER REMEDIES, THE LIABILITY OF MANUFACTURER, WHETHER IN CONTACT, TORT, UNDER ANY WARRANTY OR OTHERWISE, SHALL NOT EXTEND BEYOND ITS OBLIGATION TO REPAIR OR REPLACE, AT ITS OPTION, ANY PRODUCT OR PART FOUND BY MANUFACTURER TO BE DEFECTIVE IN MATERIAL OR WORK SHALL NOT BE RESPONSIBLE FOR ANY DIRECT, INDIRECT, SPECIAL OR CONSEQUENTIAL DAMAGES OF ANY NATURE.

This Warranty gives you specific legal rights and you may have other rights, which may vary from state to state. However, some states do not allow limitation on how long an implied warranty lasts or the exclusion or limitation of incidental or consequential damages so the above limitations or exclusions may not apply to you.

Questions??
For quick answers and helpful advise, call
Wayne-Dalton Customer Service
(888) 827-3667

Free Manuals Download Website

<http://myh66.com>

<http://usermanuals.us>

<http://www.somanuals.com>

<http://www.4manuals.cc>

<http://www.manual-lib.com>

<http://www.404manual.com>

<http://www.luxmanual.com>

<http://aubethermostatmanual.com>

Golf course search by state

<http://golfingnear.com>

Email search by domain

<http://emailbydomain.com>

Auto manuals search

<http://auto.somanuals.com>

TV manuals search

<http://tv.somanuals.com>