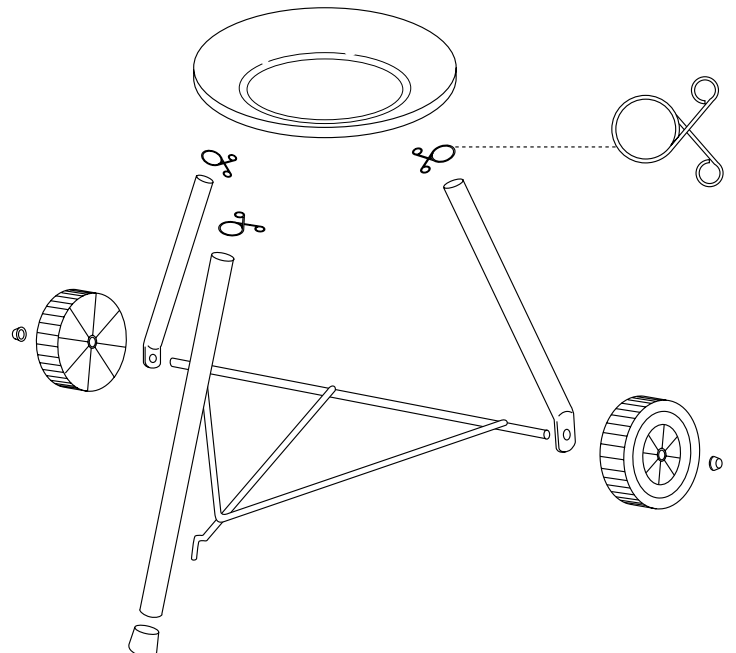
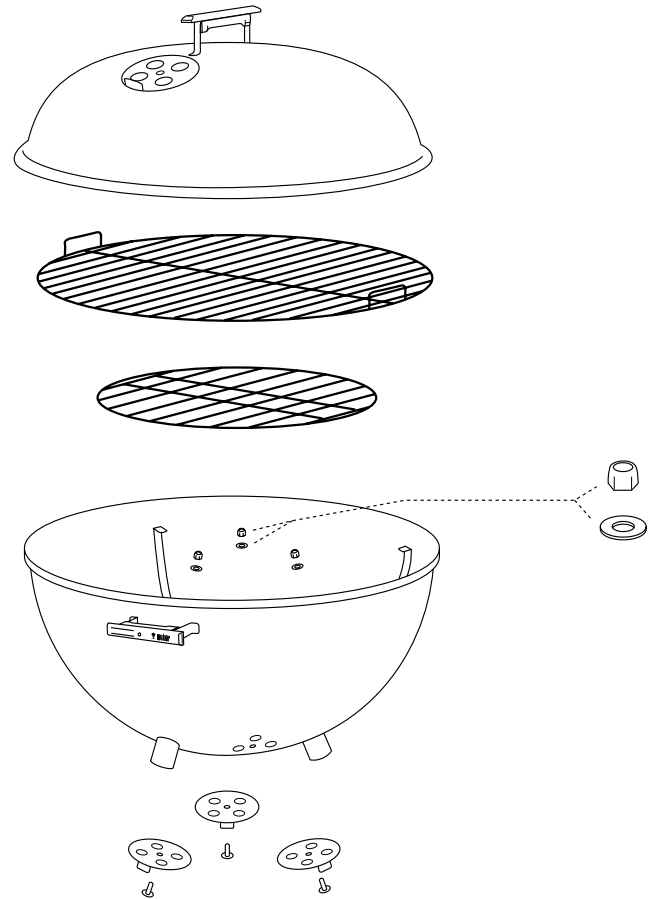
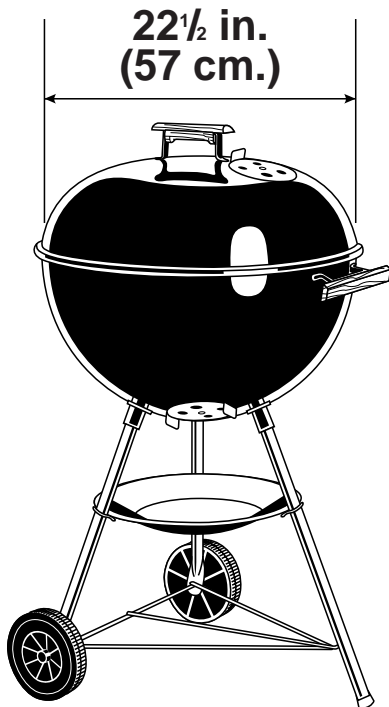
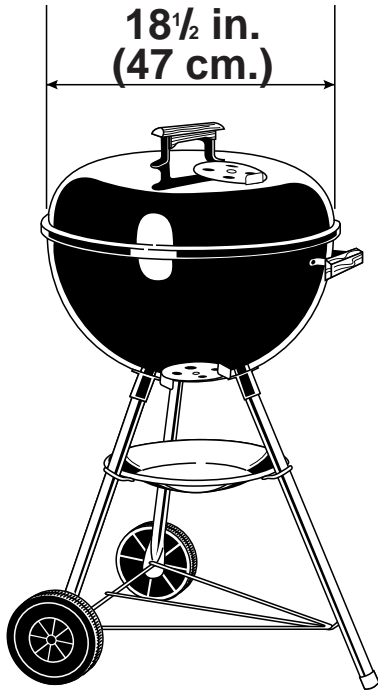


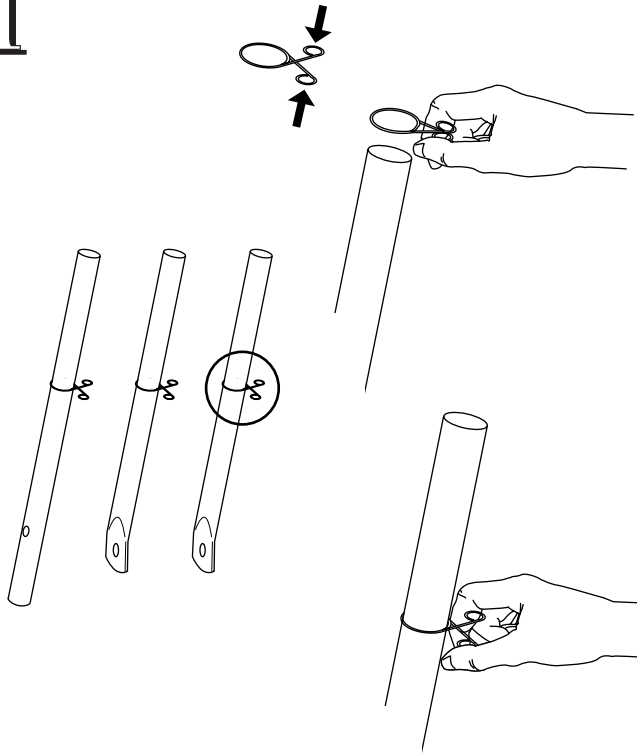


BAR-B-KETTLE™

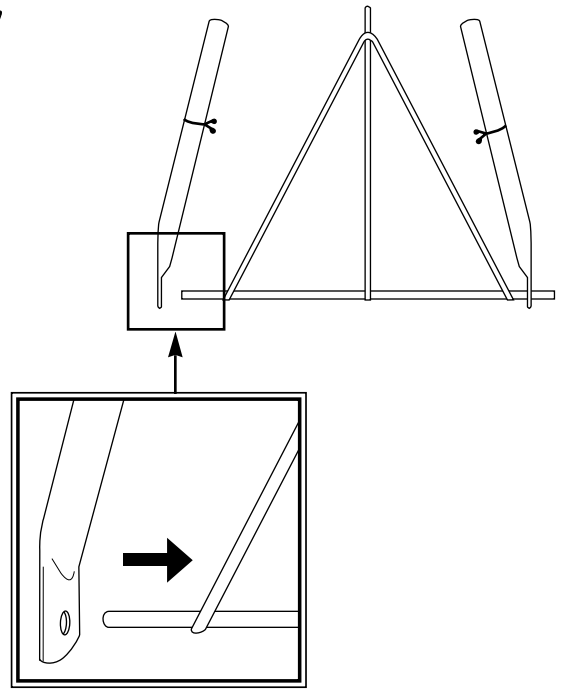


Read important DANGERS, WARNINGS and CAUTIONS in Owner's Guide before operating this barbecue.

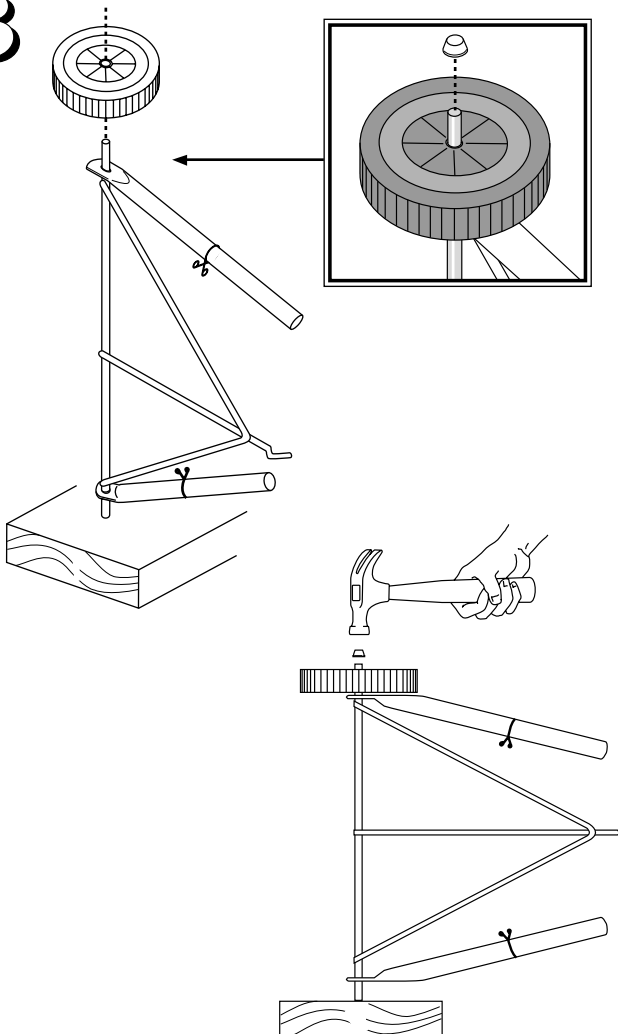
1



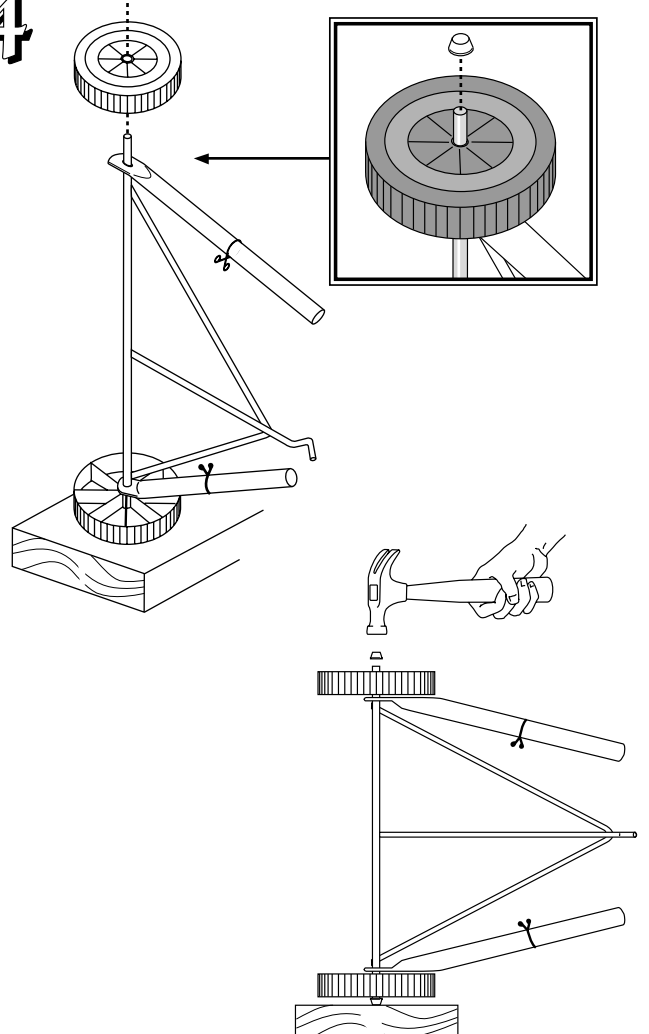
2



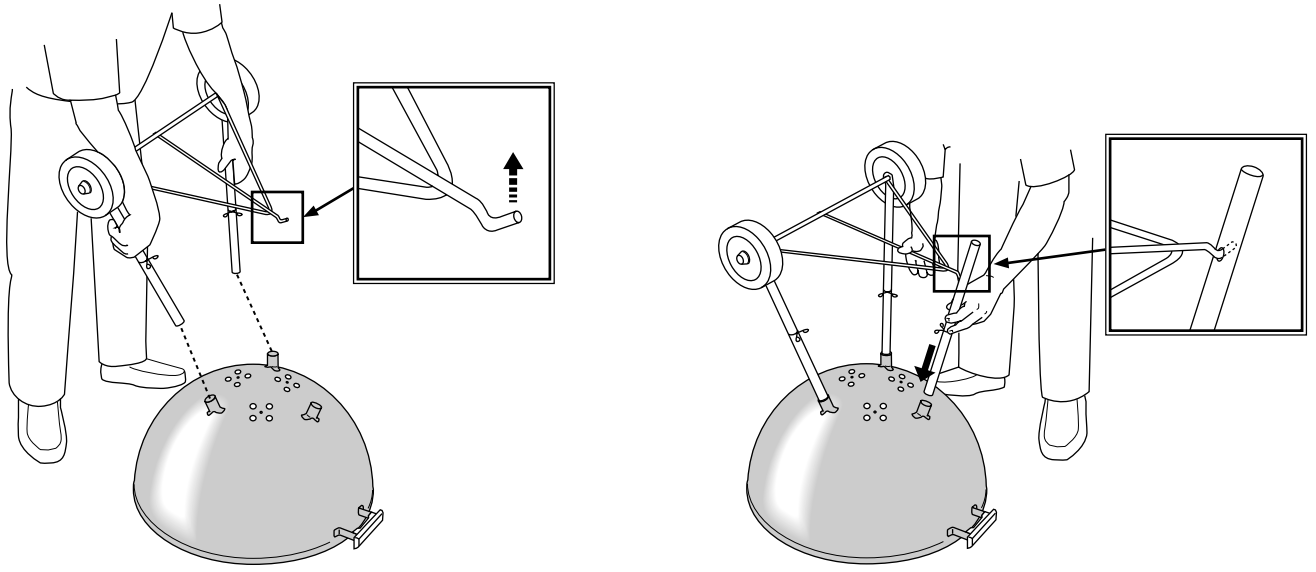
3



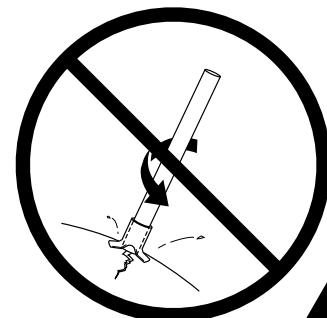
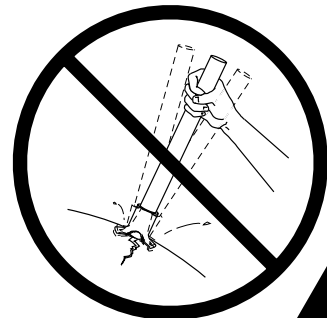
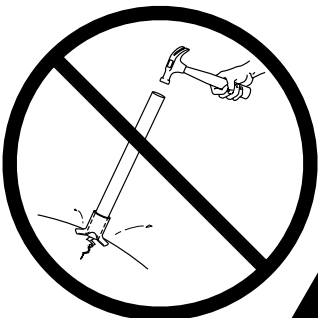
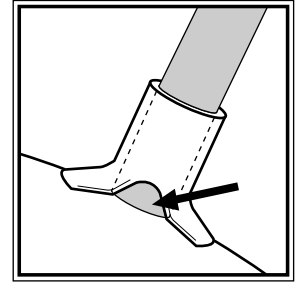
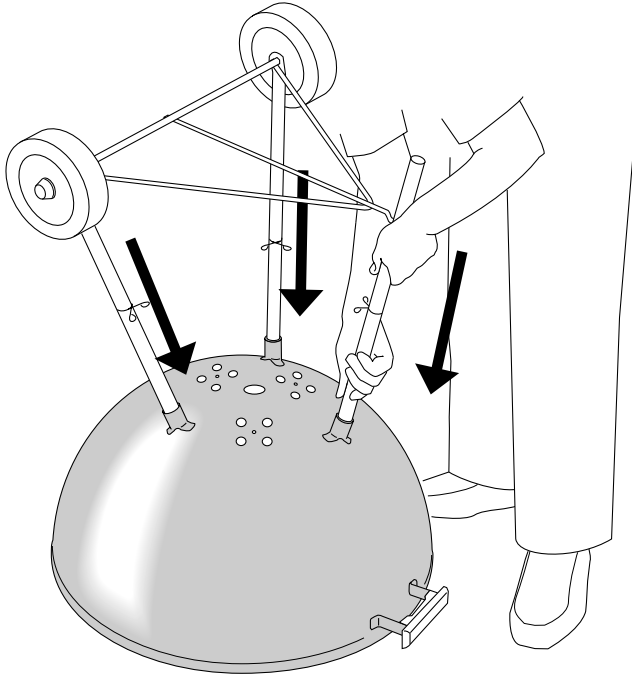
4



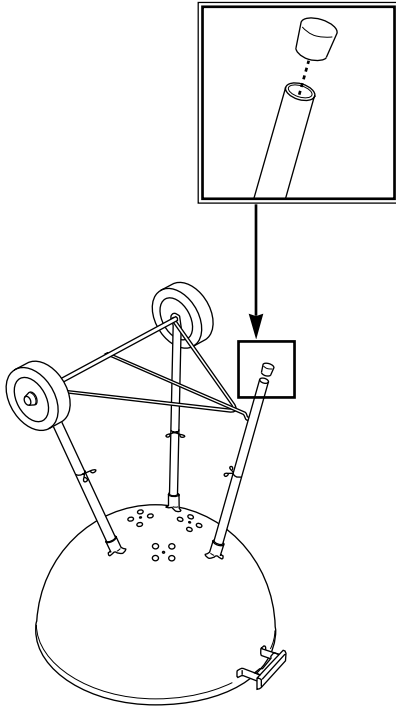
5



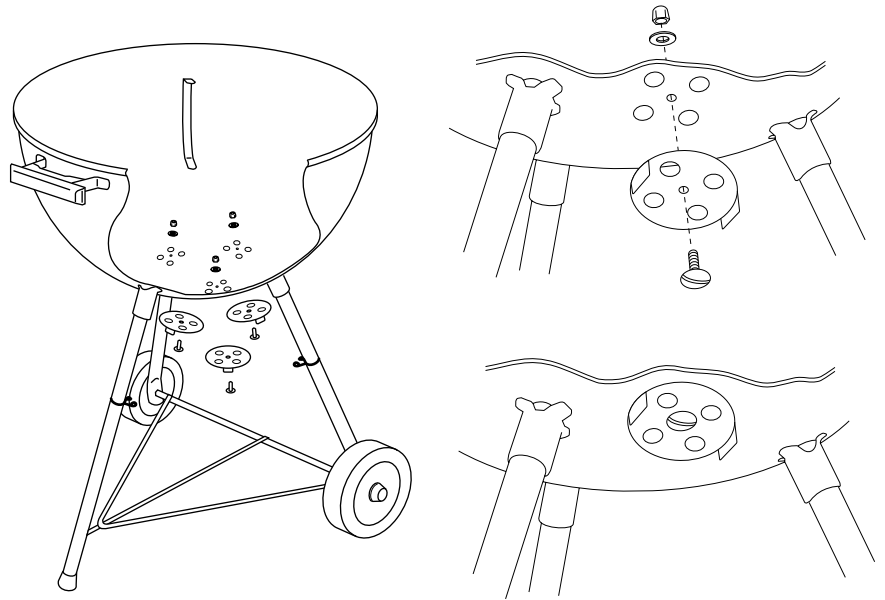
6



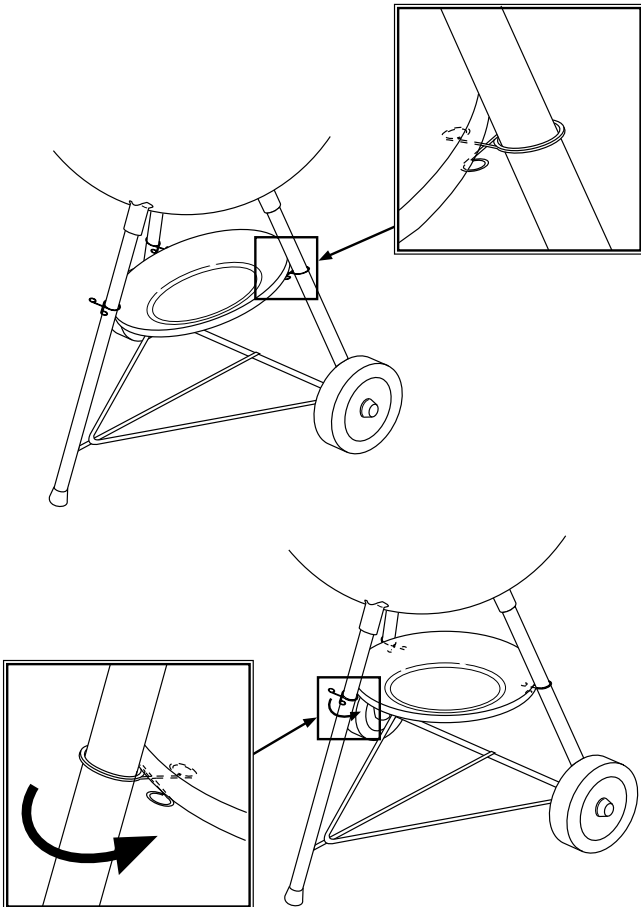
7



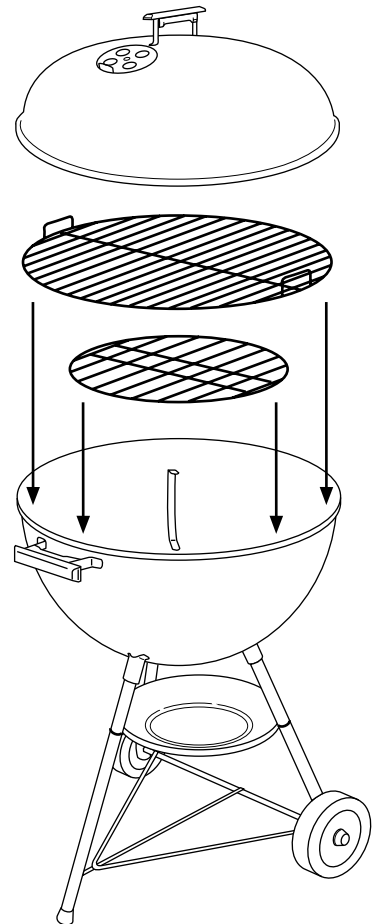
8



9



10



Free Manuals Download Website

<http://myh66.com>

<http://usermanuals.us>

<http://www.somanuals.com>

<http://www.4manuals.cc>

<http://www.manual-lib.com>

<http://www.404manual.com>

<http://www.luxmanual.com>

<http://aubethermostatmanual.com>

Golf course search by state

<http://golfingnear.com>

Email search by domain

<http://emailbydomain.com>

Auto manuals search

<http://auto.somanuals.com>

TV manuals search

<http://tv.somanuals.com>