



ONE-TOUCH[®] SILVER CHARCOAL GRILL

Read owner's guide before using the barbecue.

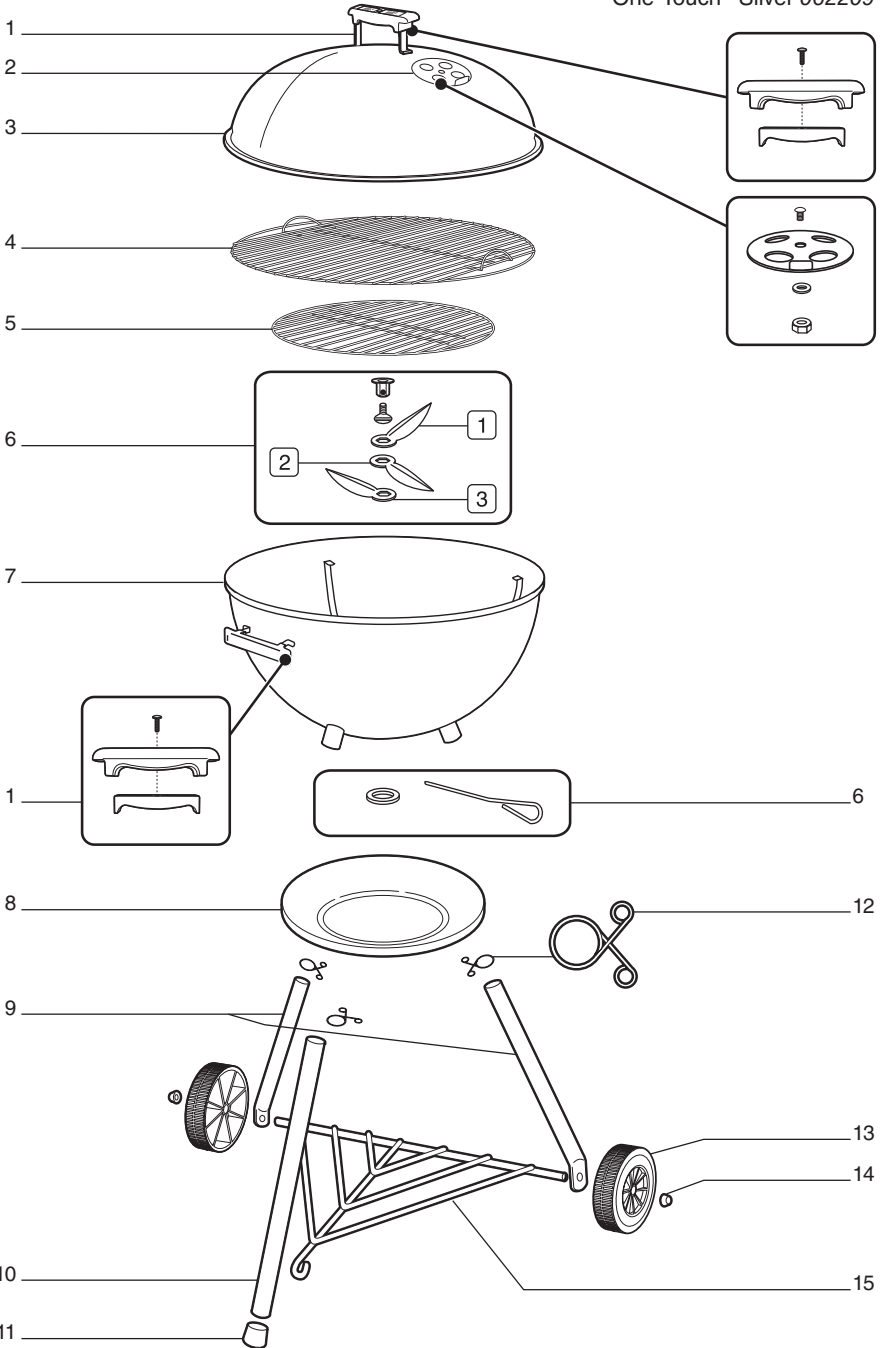
18½ inch
(47 cm)

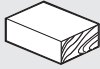
22½ inch
(57 cm)



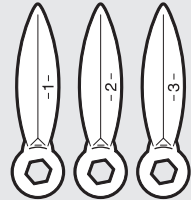
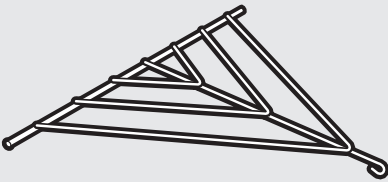
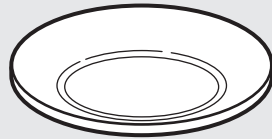
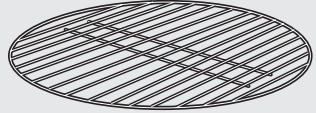
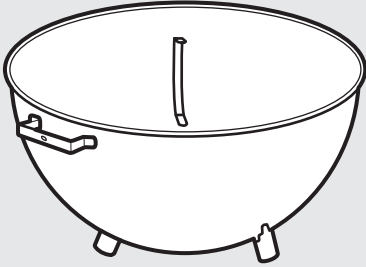
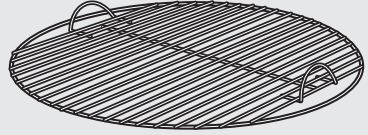
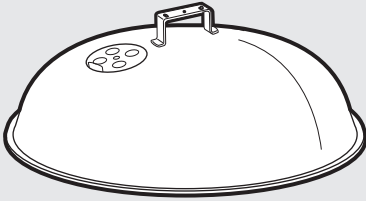
EXPLODED VIEW

One-Touch® Silver 062209

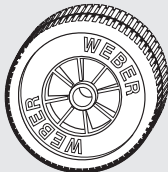
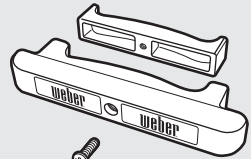




1-



2-

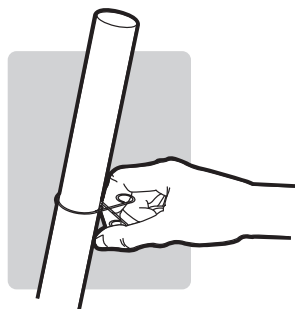
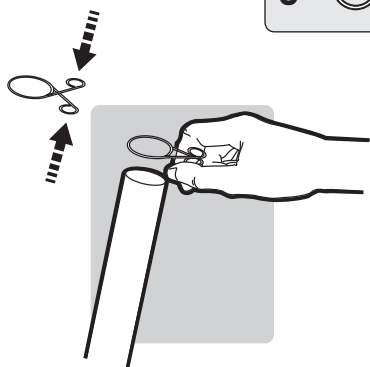
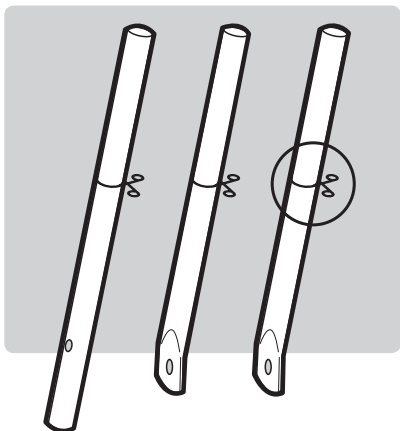


3-

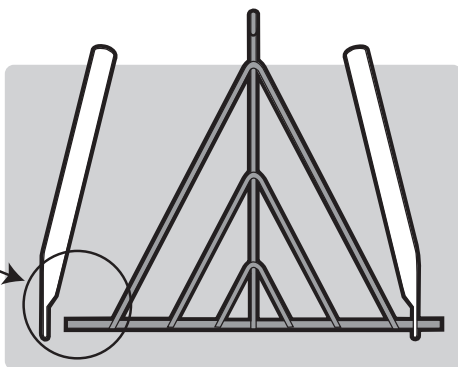
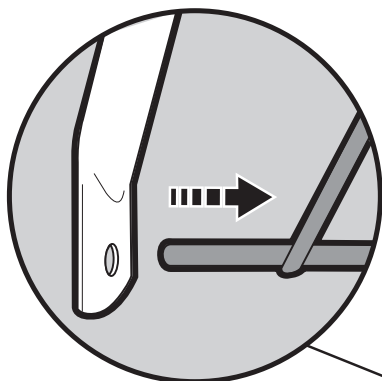


1

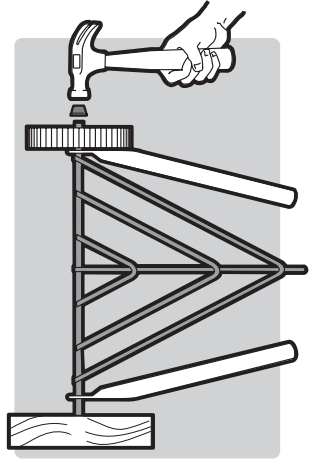
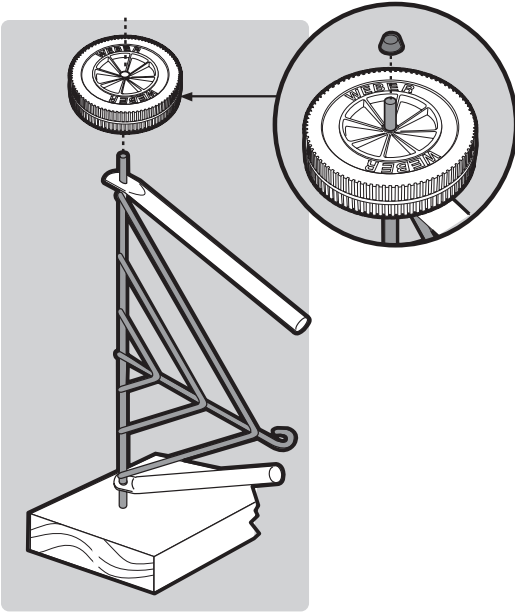
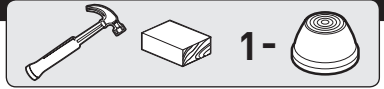
3-



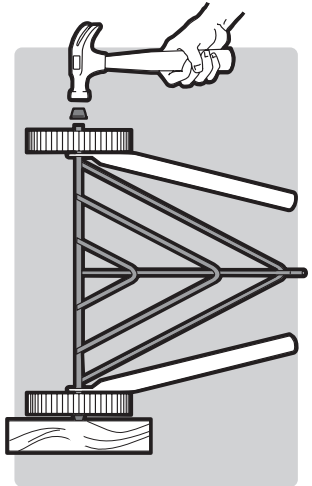
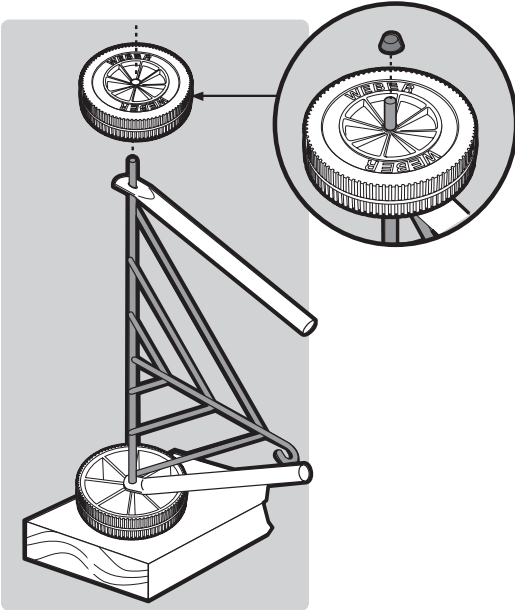
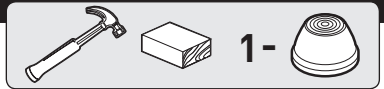
2

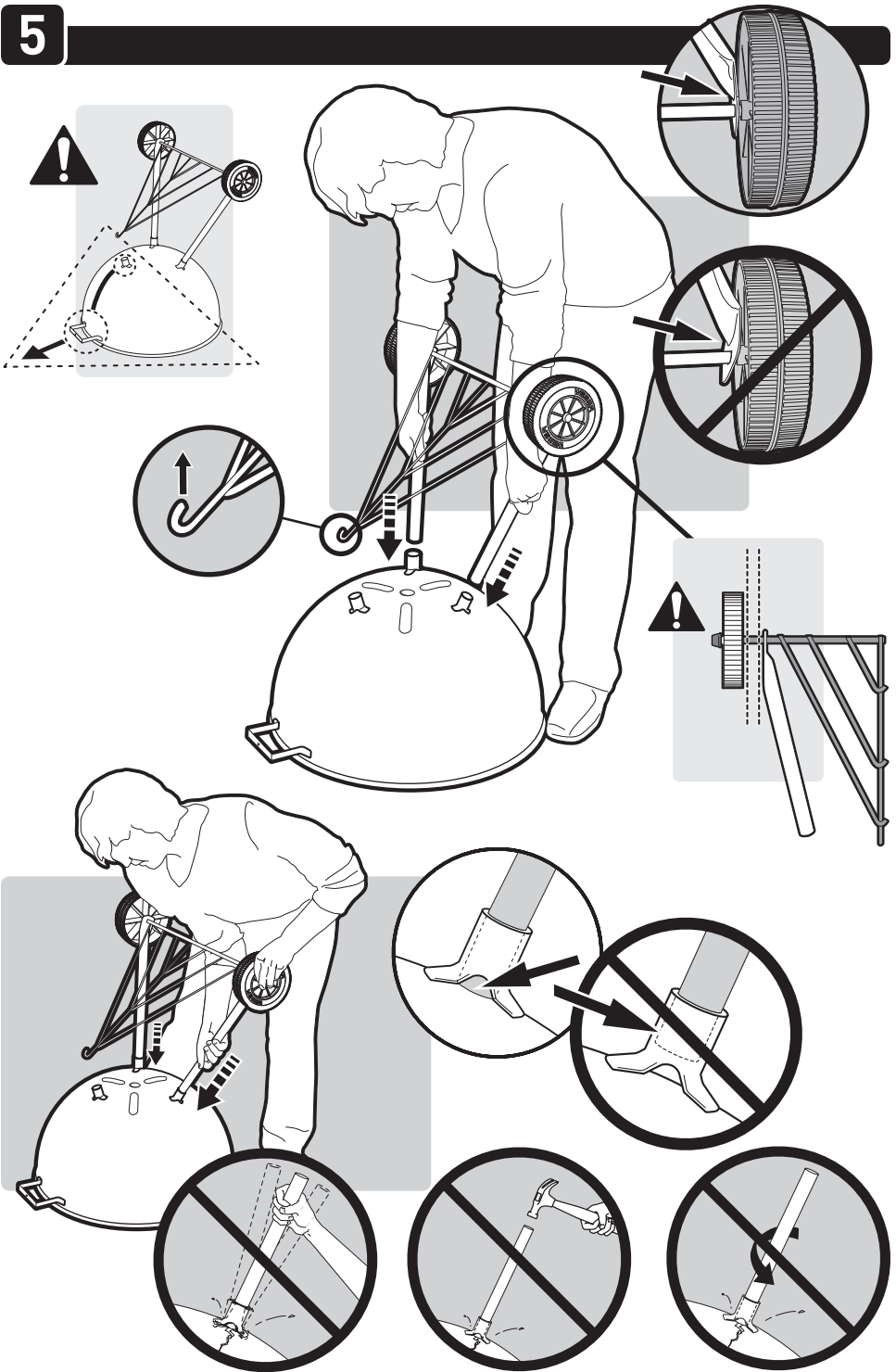


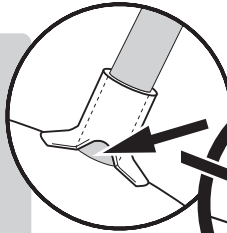
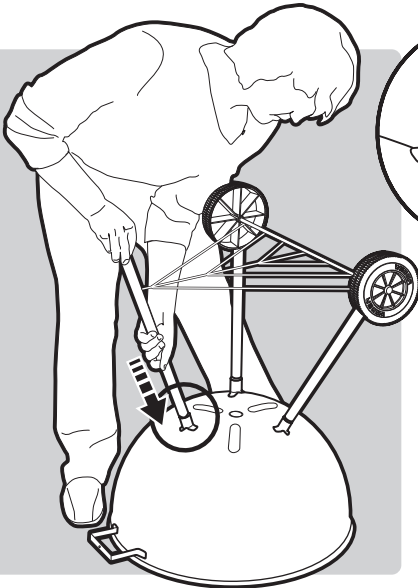
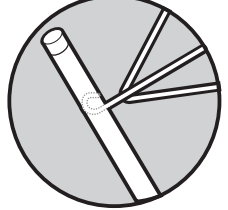
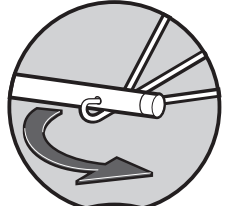
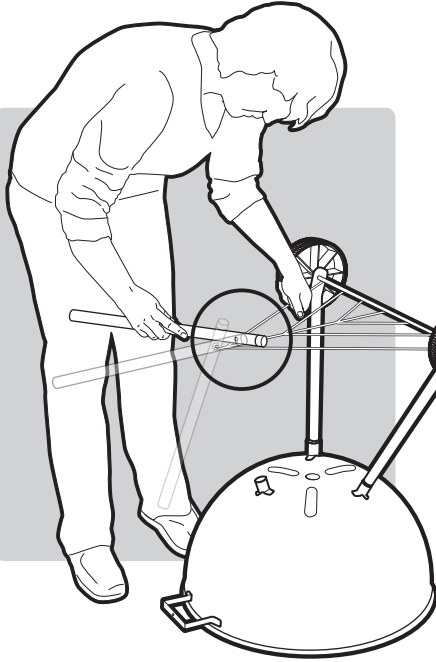
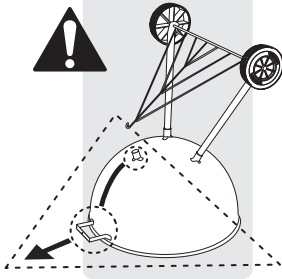
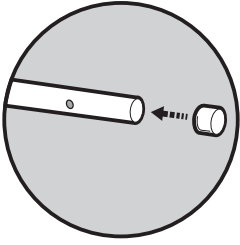
3

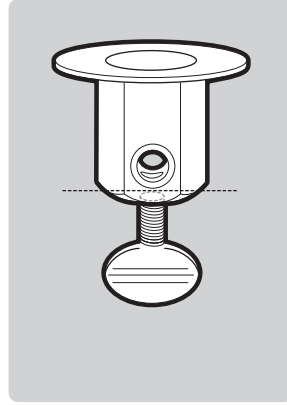
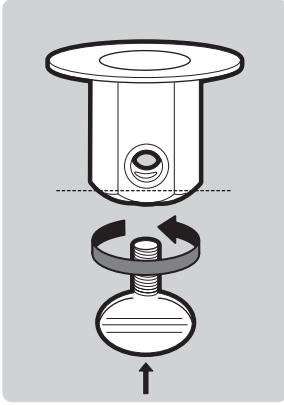
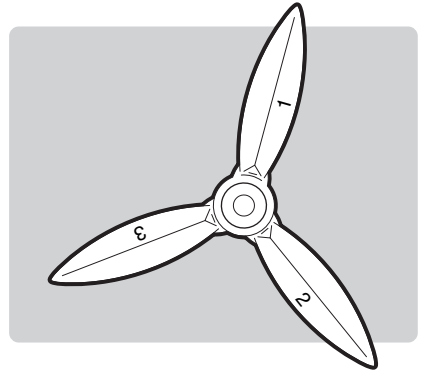
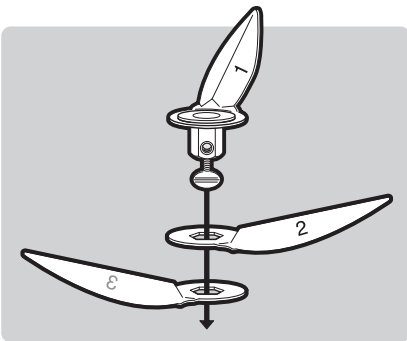
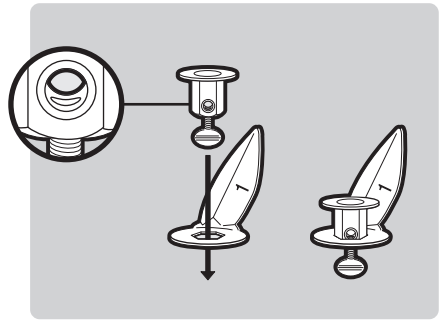
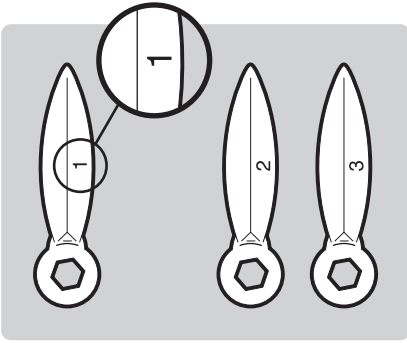


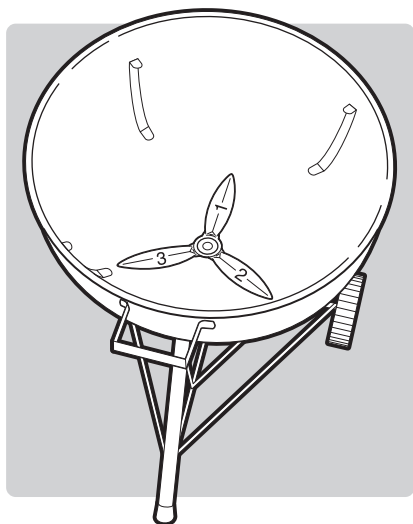
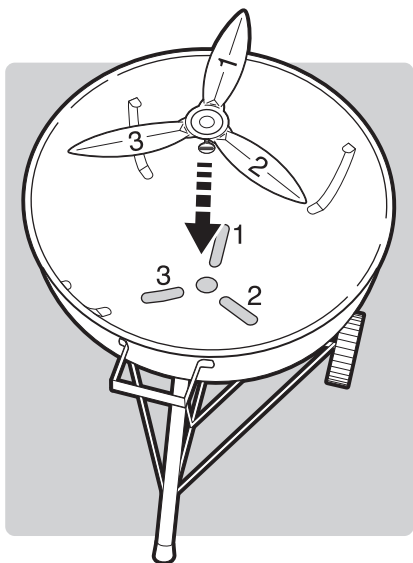
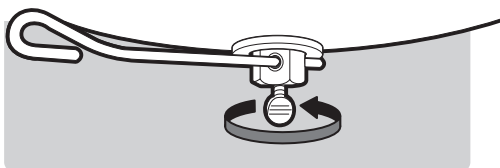
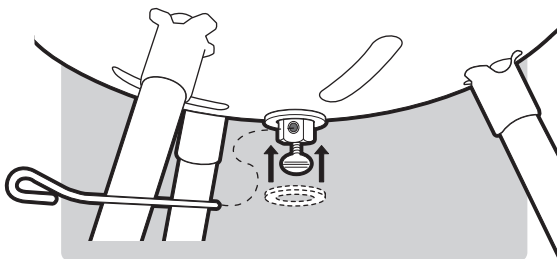
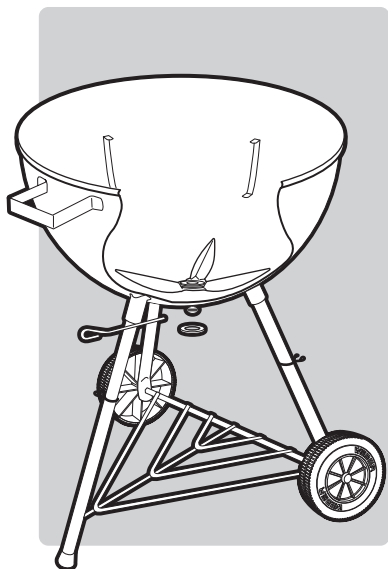
4

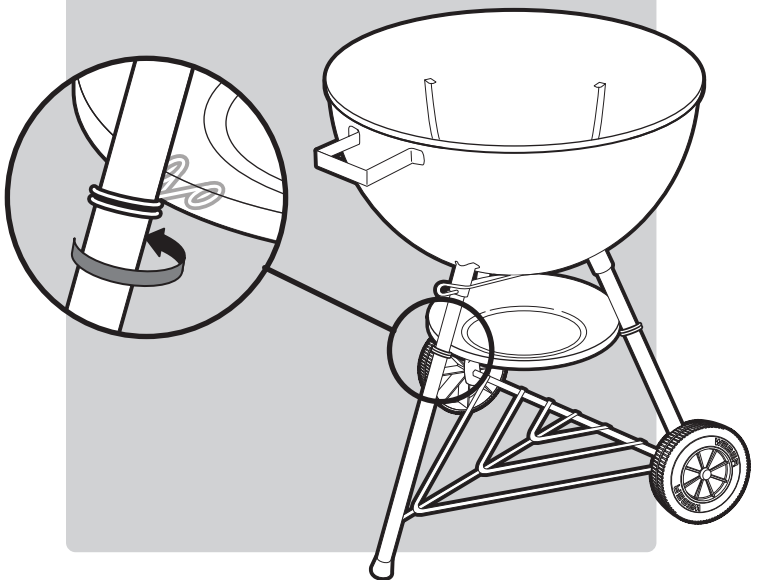
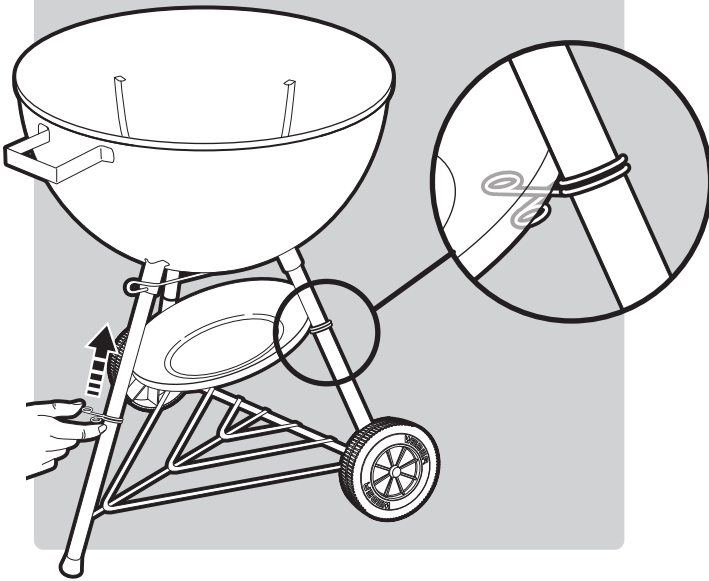


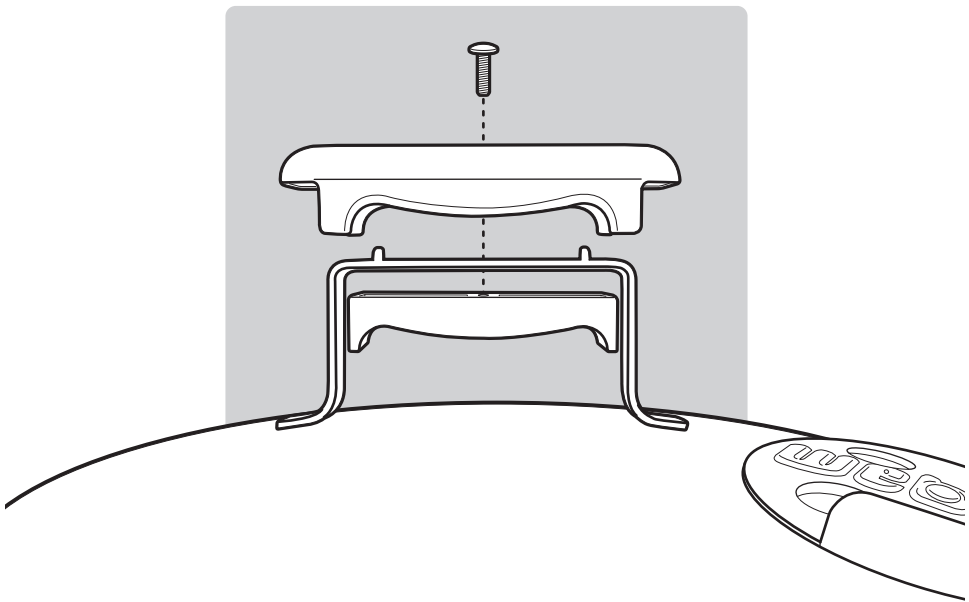


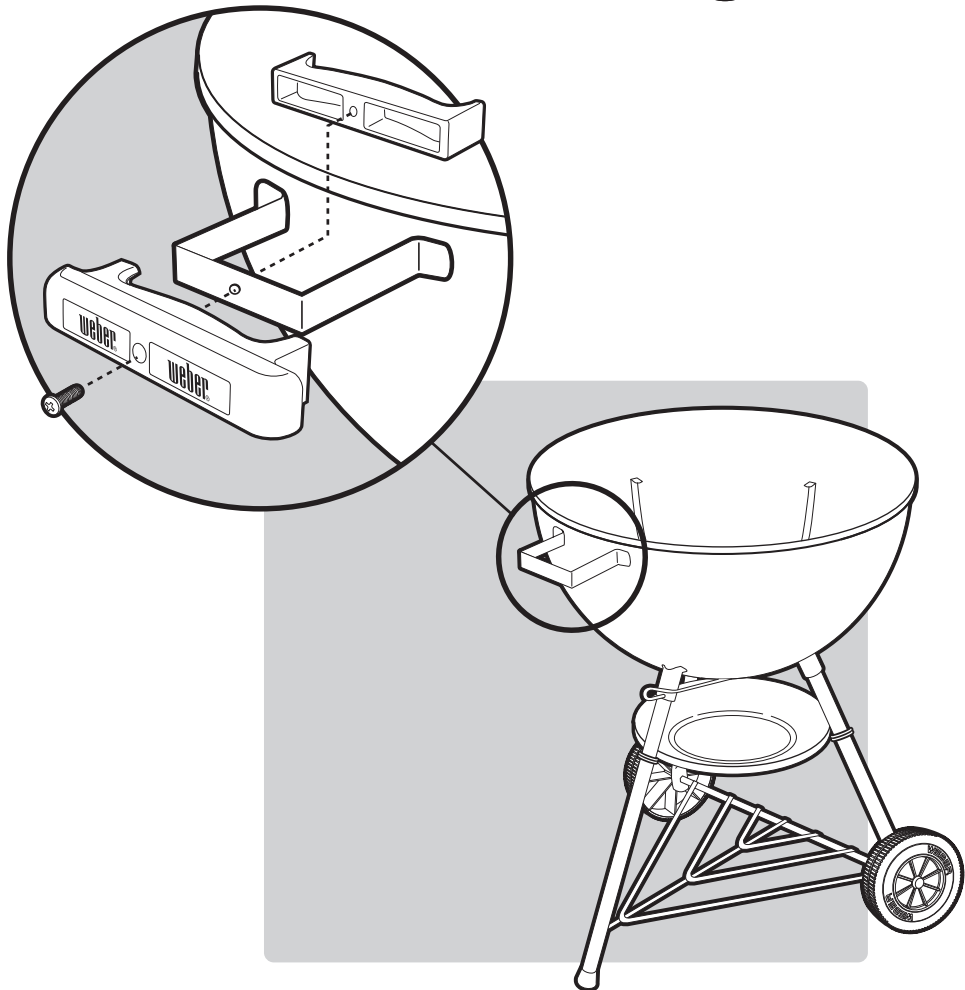


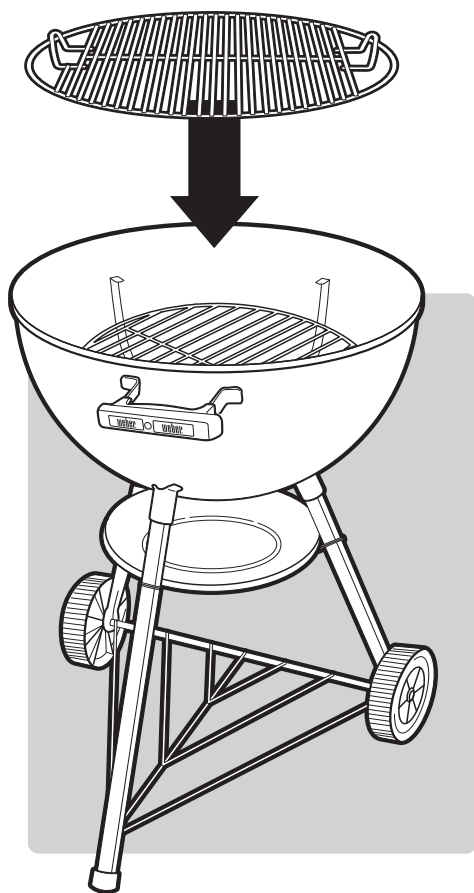
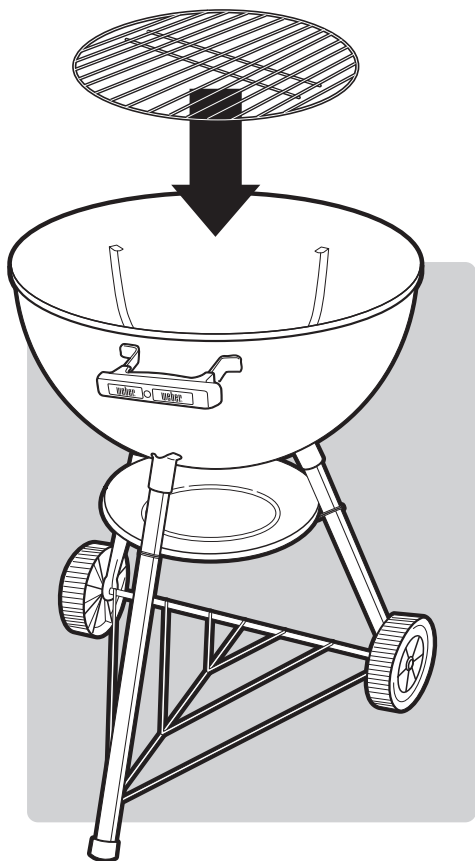
7**8**

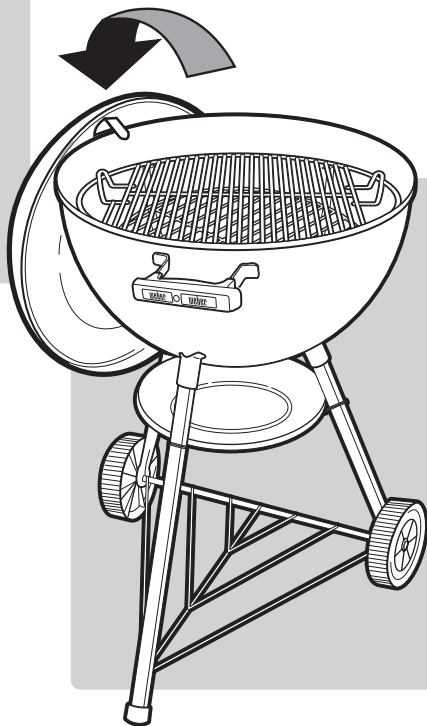
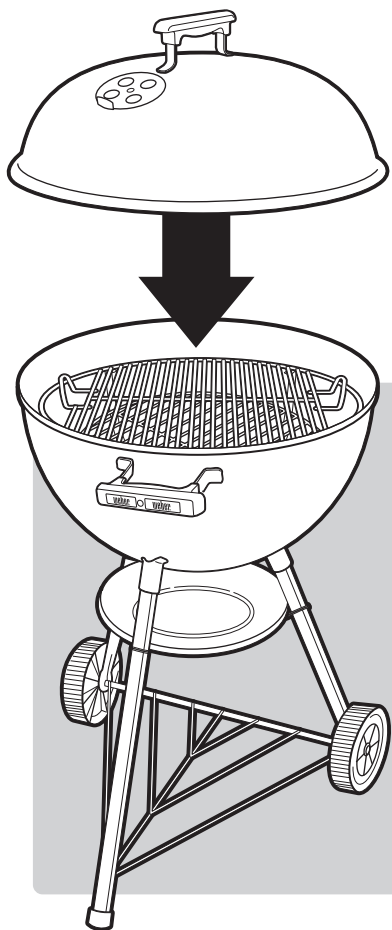
1- 













WEBER-STEPHEN PRODUCTS LLC
www.weber.com[®]

© 2011 Designed and engineered by Weber-Stephen Products LLC,
a Delaware limited liability company, located at 200 East Daniels Road, Palatine, Illinois 60067 U.S.A.
Printed in U.S.A.
Download from Www.Somanuals.com. All Manuals Search And Download.

Free Manuals Download Website

<http://myh66.com>

<http://usermanuals.us>

<http://www.somanuals.com>

<http://www.4manuals.cc>

<http://www.manual-lib.com>

<http://www.404manual.com>

<http://www.luxmanual.com>

<http://aubethermostatmanual.com>

Golf course search by state

<http://golfingnear.com>

Email search by domain

<http://emailbydomain.com>

Auto manuals search

<http://auto.somanuals.com>

TV manuals search

<http://tv.somanuals.com>