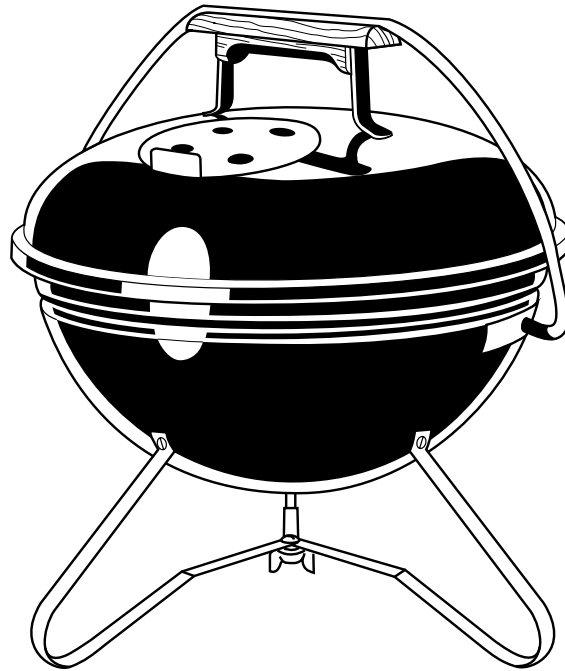





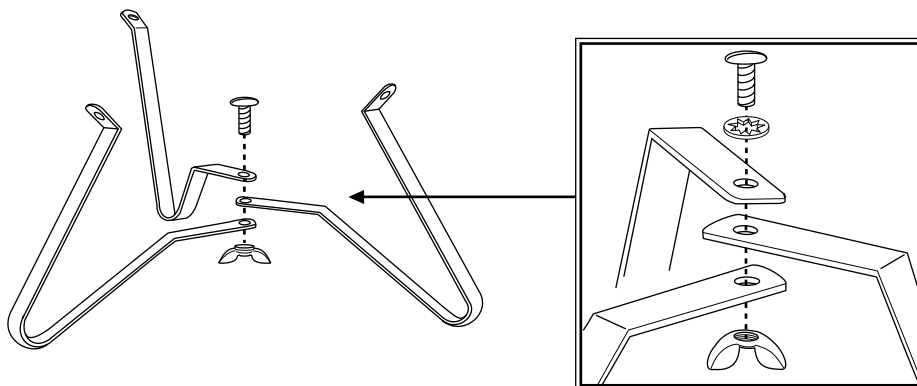
Smokey Joe[®] Tuck-N-Carry[™] Grill



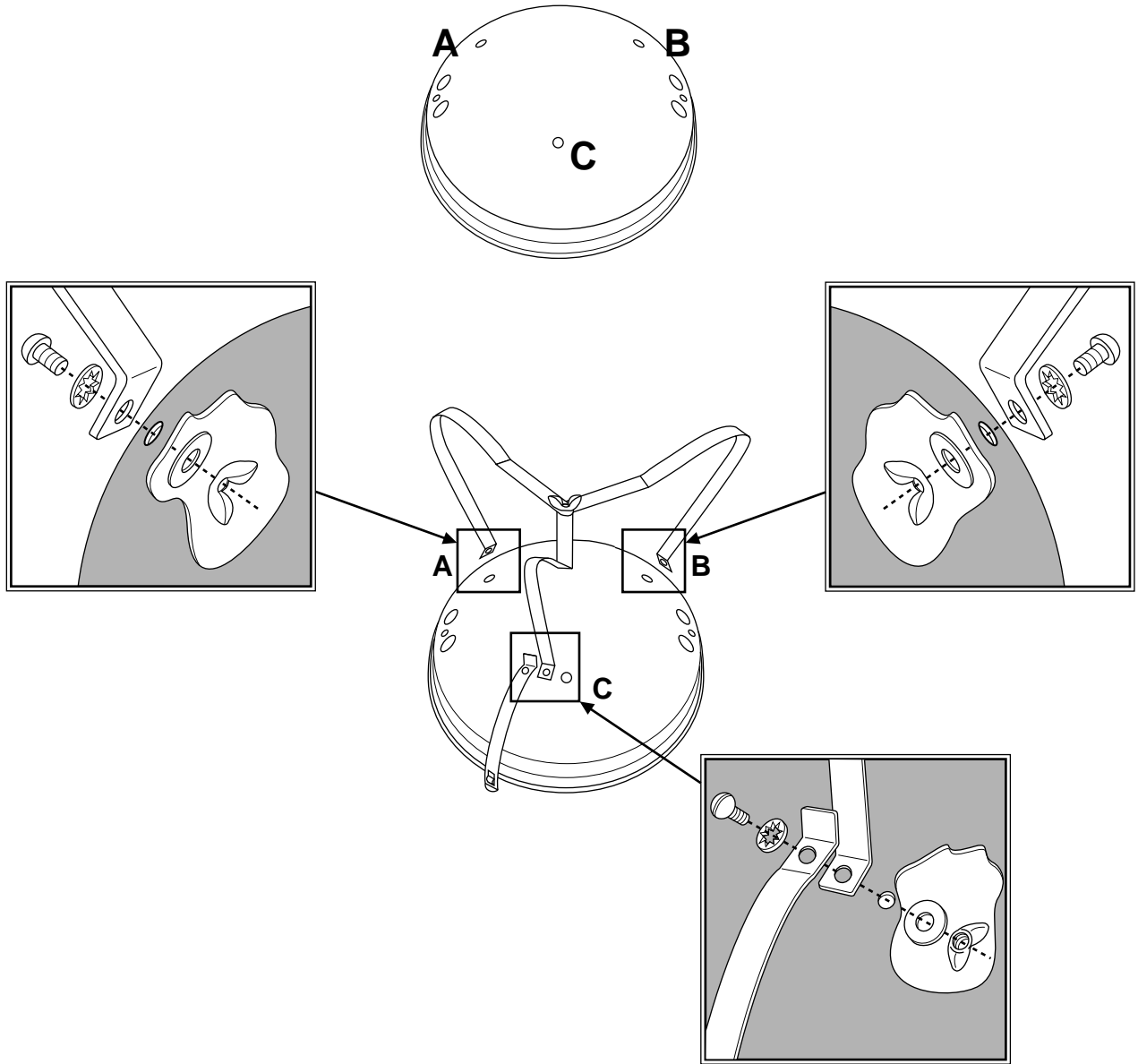
© 1996 Weber. Weber, , and Smokey Joe are registered U.S. trademarks; Tuck-N-Carry is a U.S. trademark of Weber-Stephen Products Co., 200 East Daniels Road, Palatine, IL 60067-6266, U.S.A. This product may be covered under various patents and trademarks in countries throughout the world. Printed in the U.S.A.

96195 8/96

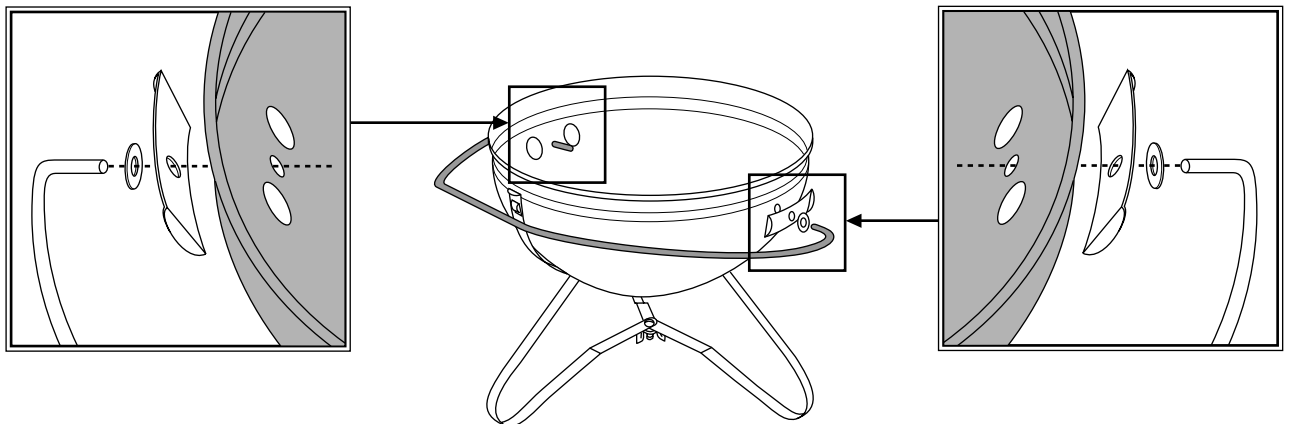
1



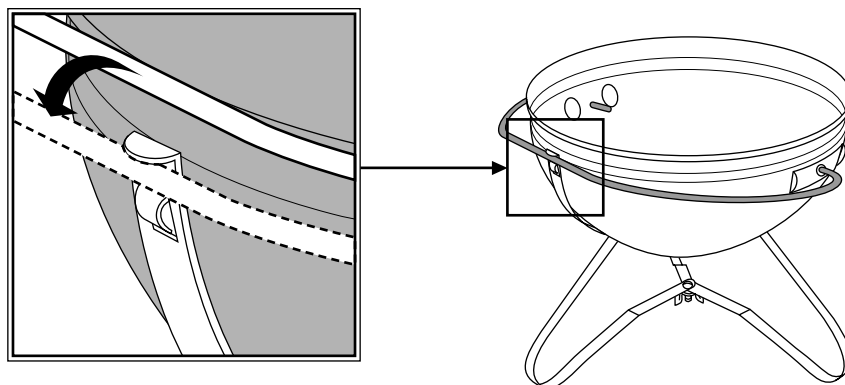
2



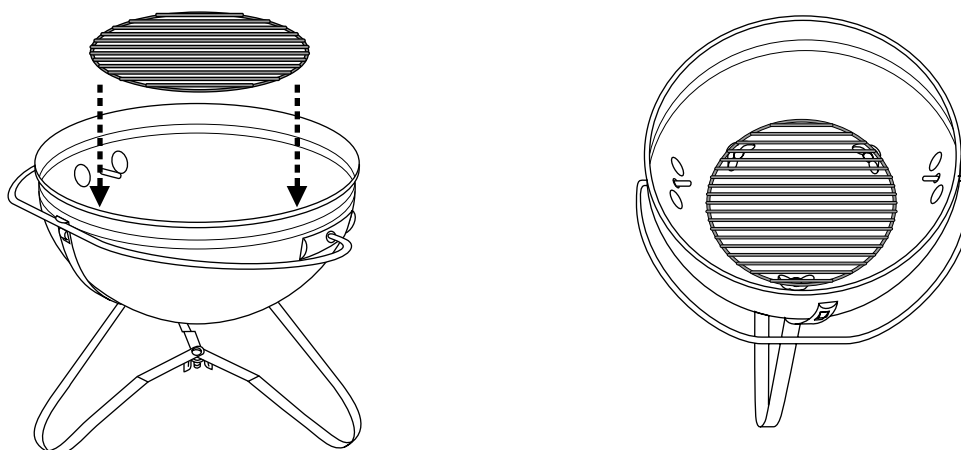
3



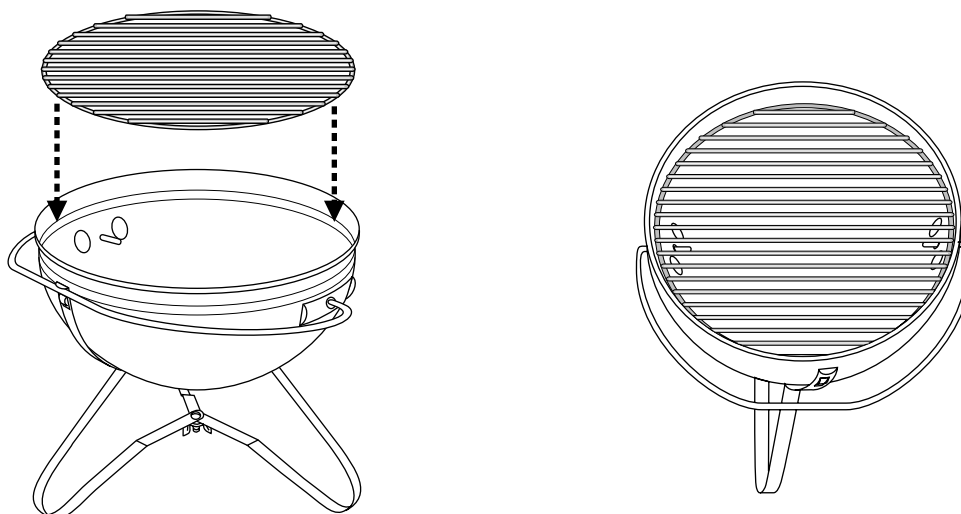
4



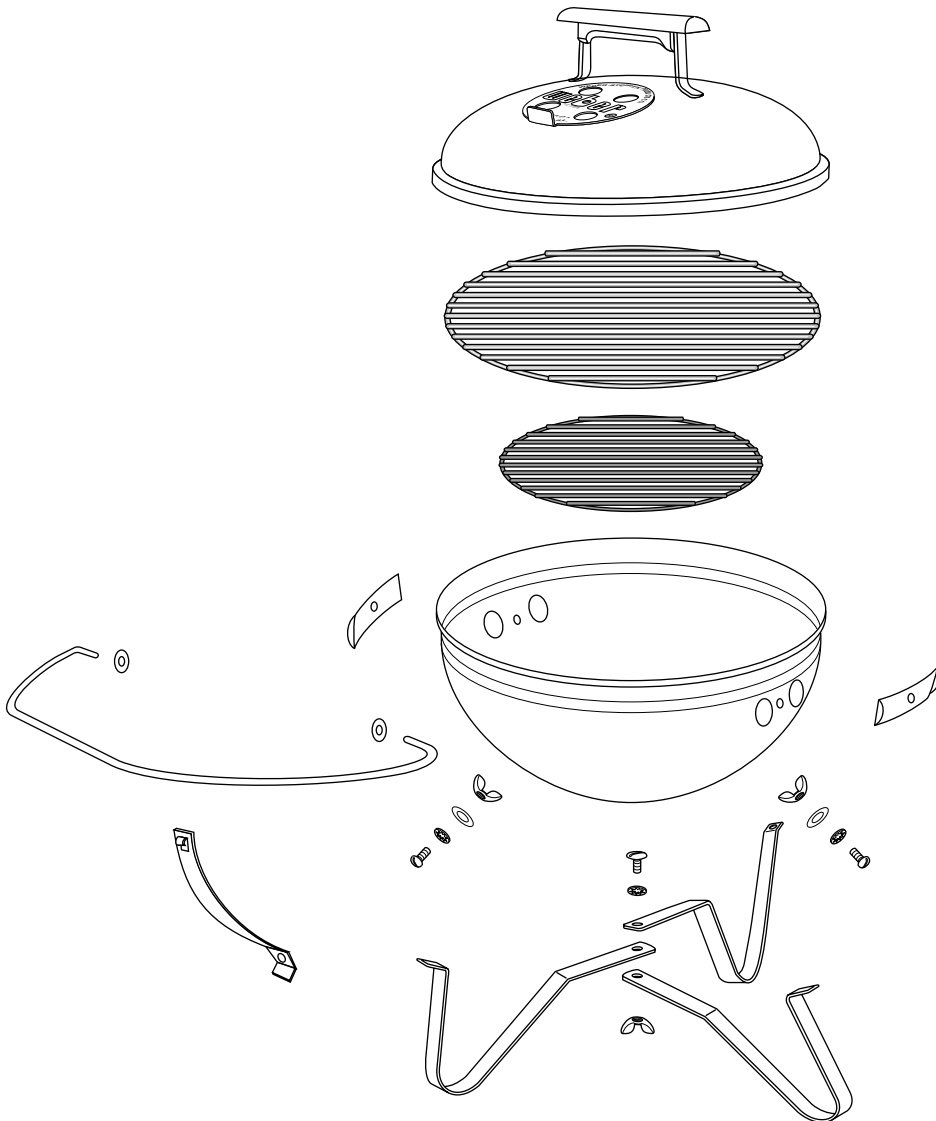
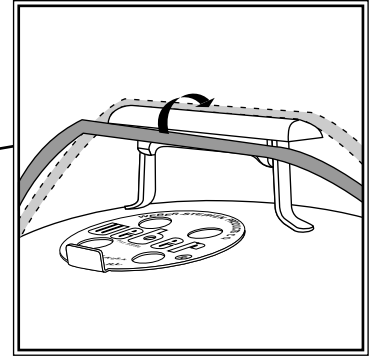
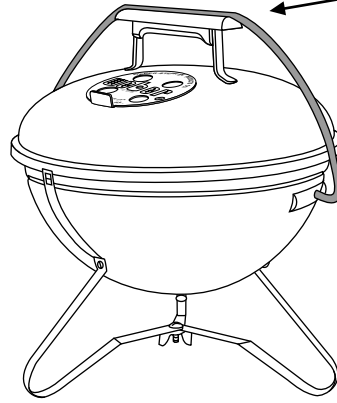
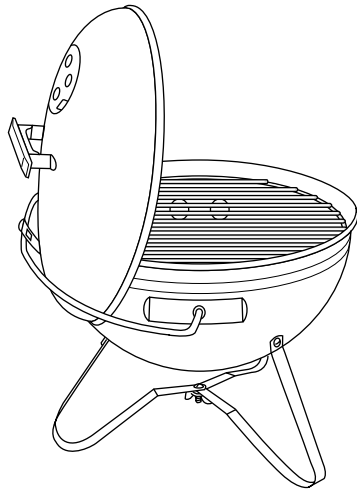
5



6



7



Free Manuals Download Website

<http://myh66.com>

<http://usermanuals.us>

<http://www.somanuals.com>

<http://www.4manuals.cc>

<http://www.manual-lib.com>

<http://www.404manual.com>

<http://www.luxmanual.com>

<http://aubethermostatmanual.com>

Golf course search by state

<http://golfingnear.com>

Email search by domain

<http://emailbydomain.com>

Auto manuals search

<http://auto.somanuals.com>

TV manuals search

<http://tv.somanuals.com>