



LP Gas Grill Owner's Guide

You must read this Owners Guide before operating your gas grill

⚠ DANGER

If you smell gas:

1. Shut off gas to the appliance.
2. Extinguish any open flames.
3. Open lid
4. If odor continues, keep away from the appliance and immediately call your gas supplier or your fire department. Leaking gas may cause a fire or explosion which can cause serious bodily injury or death, or damage to property.

⚠ **WARNING:** Do not try to light this appliance without reading the "Lighting" Instructions section of this manual.

⚠ WARNING

1. Do not store spare liquid propane cylinder within 10 feet (3m) of this appliance.
2. Do not store or use gasoline or other flammable liquids or vapors within 25 feet (8m) of this appliance.

⚠ **WARNING:** Follow all leak-check procedures carefully in this manual prior to grill operation. Do this even if the grill was dealer-assembled.

NOTICE TO INSTALLER: These instructions must be left with the owner and the owner should keep them for future use.

THIS GAS APPLIANCE IS DESIGNED FOR OUTDOOR USE ONLY.

⚠ DANGERS

Failure to follow the Dangers, Warnings and Cautions contained in this Owner's Manual may result in serious bodily injury or death, or in a fire or an explosion causing damage to property.

⚠ WARNINGS

- ⚠ Do not store a spare or disconnected propane cylinder under or near this grill.
- ⚠ Improper assembly may be dangerous. Please carefully follow the assembly instructions in this manual.
- ⚠ After a period of storage, and/or nonuse, the Weber® gas grill should be checked for gas leaks and burner obstructions before use. See instructions in this manual for correct procedures.
- ⚠ Do not operate the Weber® gas grill if there is a gas leak present.
- ⚠ Do not use a flame to check for gas leaks.
- ⚠ Combustible materials should never be within 24 inches of the top, bottom, back or sides of your Weber® gas grill.
- ⚠ Your Weber® gas grill should never be used by children. Accessible parts of the grill may be very hot. Keep young children away while it is in use.
- ⚠ You should exercise reasonable care when operating your Weber® gas grill. It will be hot during cooking or cleaning and should never be left unattended, or moved while in operation.

- ⚠ Should the burner go out while in operation, turn the gas valve off. Open the lid and wait five minutes before attempting to relight, using the lighting instructions.
- ⚠ Do not use charcoal or lava rock in your Weber® gas grill.
- ⚠ Never lean over an open grill or place hands or fingers on the front edge of the cooking box.
- ⚠ Should a grease fire occur, turn off the burner and leave lid closed until fire is out.
- ⚠ Do not enlarge valve orifice or burner ports when cleaning the valve or burner.
- ⚠ The Weber® gas grill should be thoroughly cleaned on a regular basis.
- ⚠ Propane gas is not natural gas. The conversion or attempted use of natural gas in a propane unit or propane gas in a natural gas unit is dangerous and will void your warranty.
- ⚠ Do not attempt to disconnect any gas fitting while your grill is in operation.
- ⚠ Use heat-resistant grill mitts or gloves when operating the grill.
- ⚠ Keep any electrical supply cord away from any heated surfaces.
- ⚠ Combustion byproducts produced when using this

product contain chemicals known to the state of California to cause cancer, birth defects, or other reproductive harm.

- ⚠ Do not use this grill unless all parts are in place. The unit must be properly assembled according to the instructions outlined in the "Assembly Instruction" section of the Owner's Guide.
- ⚠ Do not use the Weber® Q™ grill in a vehicle trunk, station wagon, minivan, sport utility vehicle(SUV), or recreational vehicle(RV).
- ⚠ Use the regulator that is supplied with your Weber® gas grill.
- ⚠ Do not attempt to disconnect the gas regulator or any gas fitting while your grill is in operation.
- ⚠ If you see, smell or hear the hiss of escaping gas from the propane cylinder:
 1. Move away from propane cylinder.
 2. Do not attempt to correct the problem yourself.
 3. Call your fire department.



#

WARRANTY

GARANTÍA

GARANTIE

Weber-Stephen Products Co. (Weber) hereby warrants to the ORIGINAL PURCHASER of this Weber® gas grill that it will be free of defects in material and workmanship from the date of purchase as follows:

Aluminum Castings,	5 years, 1 year paint excluding fading or discoloration
Burner,	5 years
Igniter,	5 years
Cooking Grates,	5 years no rust through
Thermoplastic/Thermoset Parts,	5 years excluding fading
All Remaining Parts, assembled and operated in accordance with the printed instructions accompanying it.	5 years, when

Weber® may require reasonable proof of your date of purchase. THEREFORE, YOU SHOULD RETAIN YOUR SALES SLIP OR INVOICE.

This Limited Warranty shall be limited to the repair or replacement of parts that prove defective under normal use and service and which on examination shall indicate, to Weber's satisfaction, they are defective. Before returning any parts, please contact the Customer Service Representative in your region using the contact information on our web site. Log onto www.weber.com®. If Weber® confirms the defect and approves the claim, Weber® will elect to replace such parts without charge. If you are required to return defective parts, transportation charges must be prepaid. Weber® will return parts to the purchaser, freight or postage prepaid.

This Limited Warranty does not cover any failures or operating difficulties due to accident, abuse, misuse, alteration, misapplication, vandalism, improper installation or improper maintenance or service, or failure to perform normal and routine maintenance, including but not limited to damage caused by insects within the burner tubes, as set out in this owner's manual.

Deterioration or damage due to severe weather conditions such as hail, hurricanes, earthquakes or tornadoes, discoloration due to exposure to chemicals either directly or in the atmosphere, is not covered by this Limited Warranty.

There are no other express warranties except as set forth herein and any applicable implied warranties of merchantability and fitness are limited in duration to the period of coverage of this express written Limited Warranty. Some regions do not allow limitation on how long an implied warranty lasts, so this limitation may not apply to you.

Weber® is not liable for any special, indirect or consequential damages. Some regions do not allow the exclusion or limitation of incidental or consequential damages, so this limitation or exclusion may not apply to you.

Weber® does not authorize any person or company to assume for it any other obligation or liability in connection with the sale, installation, use, removal, return, or replacement of its equipment; and no such representations are binding on Weber®.

This Warranty applies only to products sold at retail.

WEBER-STEPHEN PRODUCTS CO.
Customer Service Center
1890 Roselle Road, Suite 308
Schaumburg, IL, USA 60195

1-800-446-1071

www.weber.com®

Weber-Stephen Products Co., (Weber) por este medio garantiza al COMPRADOR ORIGINAL de esta parrilla a gas Weber® que la misma estará libre de defectos en el material y en la mano de obra desde la fecha de la compra, así:

Fundición de aluminio,	5 años, 1 año en pintura, excluyendo desvanecimiento o decoloración
Quegador, Encendedor,	5 años
Parrillas de cocción,	5 años sin óxido
Partes termoplásticas/termoestable,	5 años excluyendo desvanecimiento

Todas las demás partes, ensamblado y opere de acuerdo con las instrucciones impresas que se adjuntan.

Weber® puede solicitar una prueba razonable de la fecha de su compra. POR LO TANTO, USTED DEBE CONSERVAR SU RECIBO DE LA VENTA O FACTURA.

Esta Garantía limitada se limitará a la reparación o reemplazo de partes que se pruebe que estén defectuosas en circunstancias normales de uso y servicio, y que de acuerdo con el examen indiquen, a satisfacción de Weber®, que tienen defecto. Antes de devolver cualquier parte, por favor contacte al Representante de Atención al Cliente en su área usando la información de contacto en nuestro sitio web. Conéctese a www.weber.com®. Si Weber® confirma el defecto y aprueba el reclamo, Weber® elegirá reemplazar dichas partes sin costo alguno. Si se le solicita devolver partes defectuosas, los costos por transporte se pagarán por anticipado. Weber® devolverá las partes al comprador por medio de flete o franco de porte pagado previamente.

Esta Garantía limitada no cubre ningún desperfecto o dificultades de operación debido a accidentes, abuso, mal uso, alteración, aplicación inadecuada, vandalismo, instalación inadecuada o mantenimiento o servicio inadecuados, o errores al realizar el mantenimiento normal y de rutina, incluyendo, sin limitación alguna, daños ocasionados por insectos dentro de los tubos del quemador, como se explica en este Manual del propietario.

El deterioro o daño debido a condiciones extremas de clima tales como granizo, huracanes, terremotos o tornados, decoloración debido a la exposición a químicos ya sea directamente o en la atmósfera, no los cubre esta Garantía limitada.

No existen otras garantías expresas además de las establecidas aquí, y cualquier garantía aplicable implícita de comerciabilidad y conveniencia se limita a la duración del periodo de cobertura de esta Garantía limitada expresada por escrito. Algunas regiones no permiten la limitación sobre la duración de una garantía implícita, de manera que esta limitación no es aplicable para usted.

Weber® no se responsabiliza por cualquier daño especial, indirecto o consecuente. Algunas regiones no permiten la exclusión o limitación de daños incidentales o consecuentes, de manera que esta limitación o exclusión no es aplicable para usted.

Weber® no autoriza a ninguna persona o empresa a asumir en su nombre cualquier otra obligación o responsabilidad relacionada con la venta, instalación, uso, retiro, devolución o reemplazo de este equipo, y las mismas no representan ninguna obligación para Weber®.

Esta garantía aplica únicamente a productos vendidos al detalle.

www.weber.com®

Weber-Stephen Products Co. (ci-après Weber) garantit par le présent document à l'ACQUÉREUR ORIGINAL de ce barbecue à gaz Weber® que ce dernier ne comporte aucun vice de matériau et de fabrication à compter de la date d'achat dans les conditions ci-dessous:

Moules en aluminium,	5 ans, 1 an pour les moules peints excluant toute altération de couleur
Brûleur, Allumeur,	5 ans
Grilles de cuisson, Pièces thermoplastiques/thermodurcies,	5 ans sans rouille
Toutes les autres pièces, imprimées qui l'accompagnent.	5 ans excluant toute décoloration
	5 ans, lorsqu'il est monté et utilisé conformément aux instructions imprimées qui l'accompagnent.

Weber® peut exiger une juste preuve de la date d'achat. VOUS DEVEZ DONC CONSERVER VOTRE REÇU DE CAISSE OU FACTURE.

Cette garantie limitée se limite à la réparation ou au remplacement de pièces qui s'avèrent défectueuses dans les conditions normales de fonctionnement et d'entretien et qui, après examen, doivent indiquer, à la discrétion de Weber®, qu'elles sont effectivement défectueuses. Avant de renvoyer des pièces, veuillez contacter le Représentant du service clientèle de votre région à l'aide des coordonnées disponibles sur notre site Internet. Connectez-vous sur www.weber.com®. Si Weber® confirme le défaut et approuve la réclamation, Weber® choisira de remplacer ces pièces sans frais. Si vous devez renvoyer des pièces défectueuses, les frais de transport doivent être payés d'avance. Weber® renverra les pièces à l'acquéreur, fret et port prépayés.

Cette garantie limitée ne couvre pas les défauts ou problèmes de fonctionnement consécutifs à un(e) accident, abus, mauvaise utilisation, altération, mauvaise application, vandalisme, installation incorrecte ou entretien ou service incorrect, ou au non-respect de la procédure d'entretien normale et périodique, y compris mais sans s'y limiter les dégâts entraînés par la présence d'insectes dans les tubes des brûleurs, comme défini dans ce guide de l'utilisateur.

Toute détérioration ou tout endommagement résultant de mauvaises conditions atmosphériques telles que la grêle, les ouragans, tremblements de terre ou tornades, et toute décoloration consécutive à une exposition directe ou atmosphérique à des produits chimiques, ne sont pas couverts par cette garantie limitée.

Il n'existe aucune autre garantie expresse à l'exception de la présente et toute garantie implicite applicable de qualité marchande et d'aptitude se limite à la période de validité de la présente garantie limitée expresse écrite. Certaines régions n'autorisent aucune limitation de la durée de validité d'une garantie implicite, il est donc possible que cette limitation ne s'applique pas à votre cas.

Weber® ne peut en aucun cas être tenu pour responsable des dommages particuliers, indirects ou accessoires. Certaines régions n'autorisent pas l'exclusion ou la limitation des dommages accessoires ou indirects, il est donc possible que cette limitation ou exclusion ne s'applique pas à votre cas.

Weber® n'autorise aucune personne ou société à assumer en son nom d'autres obligations ou responsabilités relatives à la vente, l'installation, l'utilisation, le retrait, le renvoi ou le remplacement de son équipement, et aucune représentation de ce type n'a de caractère exécutoire envers Weber®.

Cette garantie s'applique uniquement aux produits vendus au détail.

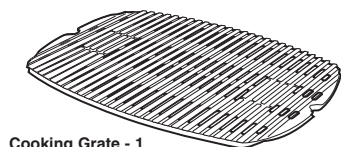
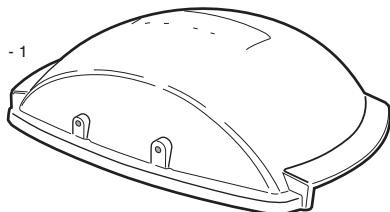
www.weber.com®

PARTS LIST

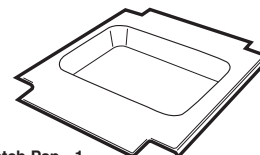
LISTE DE VUES ÉCLATÉE

LISTA DE PIEZAS

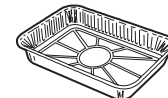
Lid - 1
Tapa - 1
Couvercle - 1



Cooking Grate - 1
Parrilla de cocción - 1
Grille de cuisson - 1



Catch Pan - 1
Recipiente recibidor - 1
Lèchefrite - 1



Disposable Drip Pan - 2
Recipientes para escurrimientos desechables - 2
Contenant jetable - 2



Handle - 1
Pasador - 1
Poignée - 1



Hinge Pin - 2
Tubo del quemador - 2
Axe de charnière - 2



Handle Spacer - 2
Espaciador del asa - 2
Entretoise de poignée - 2



Control Knob - 1
Perilla de control - 1
Manette de réglage - 1

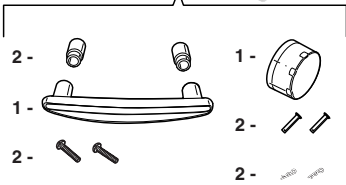
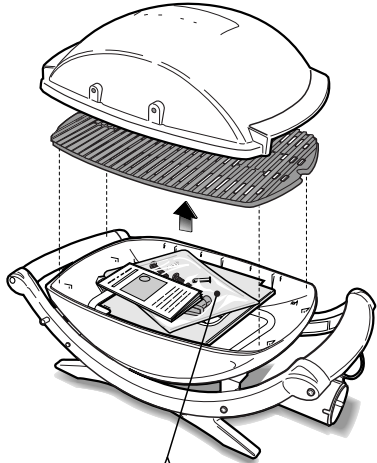


Cotter Pin - 2
Asa - 2
Goupille fendue - 2

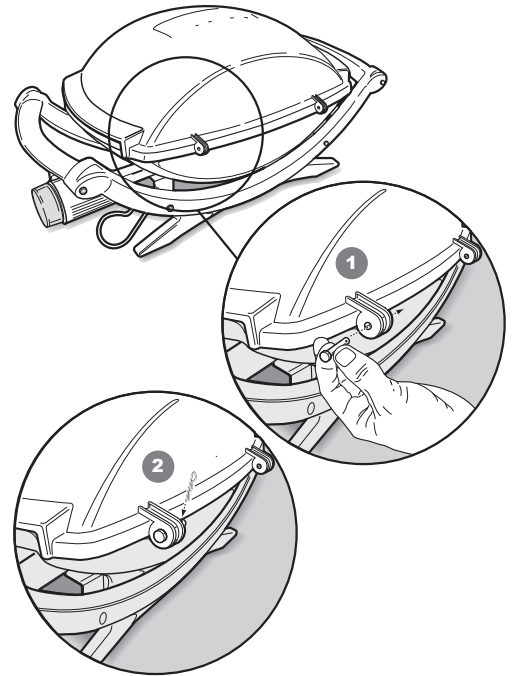


Stainless Steel Pan Head Phillips Screw (1/4" - 20 x 1 1/2" Screw) - 2
Tornillo Phillips de cabeza armada de acero inoxidable 1/4" - 20 x 1 1/2 pulgadas - 2
Vis Phillips à tête cylindrique large en acier inoxydable de 0,6 à 50 x 2,5 cm (1/4" - 20 x 1 po) - 2

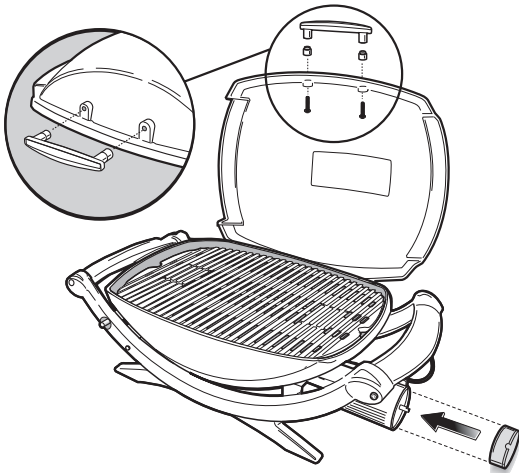
A



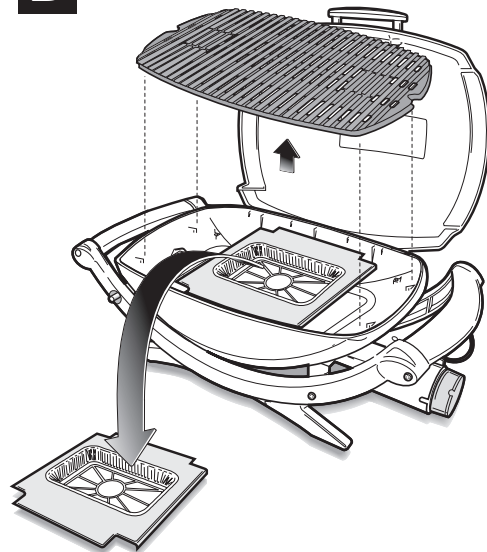
B



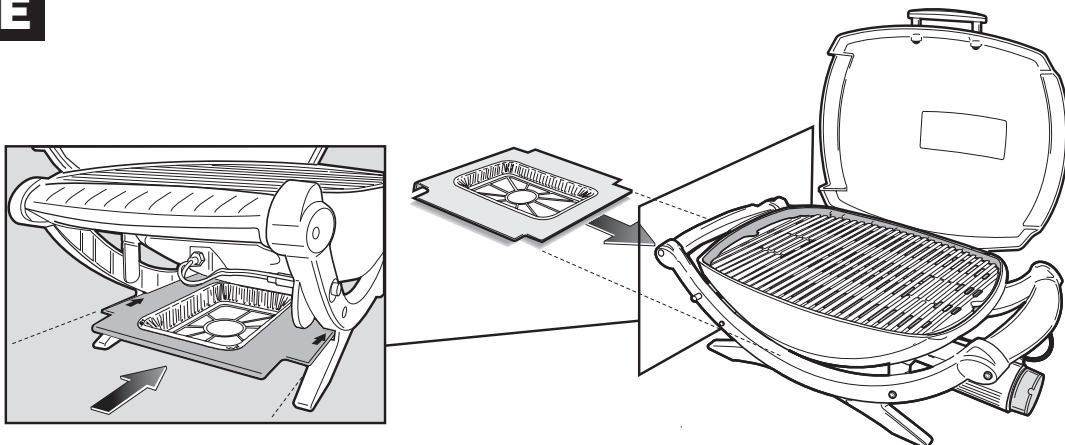
C



D



E



If you have questions or need advice regarding your grill or its safe operation, please call our toll-free hotline **1-800-446-1071** and a Weber® baby Q Expert will help you out.

Your Weber® gas grill is a portable outdoor cooking appliance. With the Weber® gas grill you can grill, barbecue, roast and bake with results that are difficult to duplicate with indoor kitchen appliances. The closed lid produces that “outdoor” flavor in the food.

The Weber® gas grill is portable so you can easily change its location in your yard or on your patio. Portability means you can take your Weber® gas grill with, if you move. Propane gas supply is easy to use and gives you more cooking control than charcoal fuel.

• These instructions will give you the minimum requirements for assembling your Weber® gas grill. Please read the instructions carefully before using your Weber® gas grill.

Storage and/or Nonuse

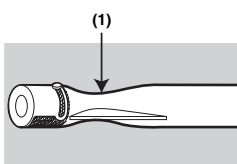
- When the Weber® gas grill is not in use, the propane cylinder must be DISCONNECTED and the propane cylinder stored outdoors in a well-ventilated space. Place dust caps on cylinder valve outlets when cylinder is not in use.
- The Weber® gas grill should be checked for gas leaks and any obstructions in the burner tubes before using. (See Sections: “General Maintenance and Annual Maintenance.”)
- The Spider/Insect Screen should also be checked for any obstructions. (See Section: “Annual Maintenance.”)

Operating

- ⚠ **WARNING: Only use this grill outdoors in a well-ventilated area. Do not use in a garage, building, breezeway or any other enclosed area.**
- ⚠ **WARNING: Your Weber® gas grill shall not be used under an unprotected combustible roof or overhang.**
- ⚠ **WARNING: Your Weber® gas grill is not intended to be installed in or on recreational vehicles and/or boats.**
- ⚠ **WARNING: Do not use the grill within 24 inches of combustible materials, top, bottom, back or sides of the grill.**
- ⚠ **WARNING: The entire cooking box gets hot when in use. Do not leave unattended.**
- ⚠ **WARNING: Keep any electrical supply cord away from any heated surface.**
- ⚠ **WARNING: Keep the cooking area clear of flammable vapors and liquids such as gasoline, alcohol, etc., and combustible materials.**

Weber® Spider/Insect screens

Your Weber® gas grill, as well as any outdoor gas appliance, is a target for spiders and other insects. They can nest in the venturi section(1) of the burner tube. This blocks the normal gas flow, and can cause the gas to flow back out of the air shutter. This could result in a fire in and around the air shutter, causing serious damage to your grill. The burner tube air shutter is fitted with a stainless steel screen(1) to prevent spiders and other insects access to



Improper assembly can be dangerous.

- Not for use by children.
- If there are local codes that apply to portable gas grills, you will have to conform to them. If there are no local codes, you must conform to the latest edition of the National Fuel Gas Code: ANSI Z 223.1/NFPA54.
- The pressure regulator supplied with the Weber® gas grill must be used. This regulator is set for 11 inches of water column (pressure).
- This Weber® gas grill is designed for use with propane gas only. Do not use with natural (piped in city) gas. The valve and regulator is for Propane gas only.
- Do not use with charcoal fuel.
- This Weber® gas grill is not intended for commercial use.
- The use of alcohol, prescription or non-prescription drugs may impair the consumers

⚠ **WARNING: Never store an extra (spare) Propane cylinder under or near the Weber® gas grill.**

⚠ **WARNING: When cooking, the appliance must be on a level, stable surface in an area clear of combustible material. An asphalt surface (blacktop) may not be acceptable for this purpose.**

⚠ **Use heat-resistant grill mitts or gloves when operating the grill.**

Cooking

To light the grill: Refer to the lighting instructions in this owners manual.

To preheat the grill: Light the Weber® baby Q according the lighting instructions in this owners manual. Close the lid and turn the Burner Control Knob to Start/Hi. Preheat the grill for 5-10 minutes (depending on conditions such as air temperature and wind).

Note: Wind and weather may require adjustment of the burner control knob to obtain the correct cooking temperature.

If the burner goes out during cooking, open the lid, turn off the burner, and wait five minutes before relighting.

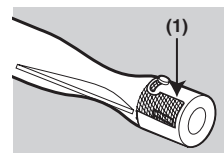
Drippings and grease: Excess drippings and grease will collect in the catch pan in the slide-out bottom tray (located on the underside of the grill). Disposable Weber® drip pans are available that fit the catch pan.

⚠ **WARNING: Check the catch pan and the bottom of the grill for grease build-up before each use. Remove excess grease to avoid a fire in the bottom of the grill.**

⚠ **WARNING: Do not move the Weber® gas grill when operating or while the grill is hot.**

the burner tube through the air shutter openings. We recommend that you inspect the Spider/Insect screen at least once a year. Also inspect and clean the the Spider/Insect screen if any of the following symptoms should ever occur:

- 1) The smell of gas in conjunction with the burner flames appearing yellow and lazy.
- 2) Grill does not reach temperature.
- 3) Grill heats unevenly.
- 4) The burner does not ignite.



ability to properly assemble or safely operate the appliance.

- This Weber® gas grill is not intended for and should never be used as a heater.
- Do not leave the Weber® gas grill unattended. Keep children and pets away from the Weber® gas grill at all times.
- Check that the area under the control panel and the bottom tray are free from debris that might obstruct the flow of combustion or ventilation air.

For Installation in Canada: These instructions, while generally acceptable, do not necessarily comply with the Canadian Installation codes, particularly with piping above and below ground. In Canada the installation of this appliance must comply with local codes and/or Standard CAN/CGA-B149.2 (Installation Code for Propane Burning Appliances and Equipment).

Cleaning

⚠ **WARNING: Turn your Weber® gas grill OFF and wait for it to cool before cleaning.**

For availability of replacement cooking grate contact the Customer Service Representative in your region using the contact information on our web site. Log onto www.weber.com.

Outside surfaces - Use a warm soapy water solution to clean, then rinse with water.

⚠ **CAUTION: Do not use oven cleaner, abrasive cleansers (kitchen cleansers) cleaners that contain citrus products, or abrasive cleaning pads on grill or cart surfaces.**

Slide out Bottom tray - Remove excess grease, then wash with warm soapy water, then rinse
Cooking grate - Clean with a suitable brass bristle brush. As needed, remove from grill and wash with warm soapy water, then rinse with water.

Catch pan - Disposable foil trays are available, or you can line the catch pan with aluminum foil. To clean the catch pan, wash with warm soapy water, then rinse.

Inside cooking Box - Brush any debris off of burner tubes. DO NOT ENLARGE BURNER PORTS (OPENINGS). Wash inside of cooking box with warm soapy water and a water rinse.

Inside Lid - While lid is warm, wipe inside with paper towel to prevent grease build-up. Flaking built-up grease resembles paint flakes.

⚠ DANGER
Failure to correct the above mentioned symptoms may result in a fire, which can cause serious bodily injury or death, and cause damage to property.

ANNUAL MAINTENANCE

Inspection and cleaning of the Spider/Insect screen

To inspect the spider/insect screen, remove the control panel. If there is dust or dirt on the screen, remove the burner for cleaning the screen. Brush the spider/insect screen, lightly, with a soft bristle brush (i.e. an old toothbrush).

CAUTION: Do not clean the spider/insect screen with hard or sharp tools. Do not dislodge the spider/insect screen or enlarge the screen openings.

Main Burner Cleaning Procedure

Turn off the gas supply. Remove the burner. (See Replacing Burner Tube.) Look inside the burner with a flashlight. Clean the inside of the burner with a wire (a straightened-out coat hanger will work).

Check for gas leaks

After a period of nonuse, we recommend that you perform the following maintenance procedures for your safety.

- Inspect the burner for correct flame pattern. Clean if necessary, following the procedures outlined in the "General Maintenance" section of this manual.
- Check all gas fittings for leaks.

WARNING: You should check for gas leaks every time you disconnect and reconnect a gas fitting. Note: All factory-made connections have been thoroughly checked for gas leaks. The burners have been flame tested. As a safety precaution however, you should recheck all fittings for leaks before using your Weber® gas grill. Shipping and handling may have loosened or damaged a gas fitting.

WARNING: Perform these leak checks even if your grill was dealer- or store-assembled.

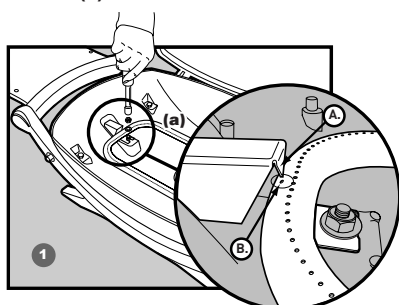
You will need a soap and water solution and a rag or brush to apply it. To perform leak checks make sure the Burner is in the off position and turn on gas supply.

WARNING: Do not ignite burner while leak checking.

Replacing Burner Tube

- Your Weber® gas grill must be OFF and cool.
- Unscrew and remove propane cylinder from the valve/regulator assembly.
- Open the lid.
- Remove cooking grate.
- Unscrew and remove the 1/4 x 20 inch stainless steel hex nut and stainless steel washer that holds the burner tube inside the cook box(a).
- Carefully slide the burner tube out from the cook box.

Caution: The burner openings(1) must be positioned properly over the valve orifices(2).



Lightly tap the burner to get debris and dirt out of the burner tube. Once the spider/insect screen and burner is clean replace the burner. If the spider/insect screen becomes damaged or cannot be cleaned, call Weber-Stephen Products Customer Service for replacement parts.

Main Burner Flame Pattern

The Weber® gas grill burner has been factory set for the correct air and gas mixture. The correct flame pattern is shown.

- Burner tube
 - Tips occasionally flicker yellow
 - Light blue
 - Dark blue
-

If the flames do not appear to be uniform throughout the burner tube, follow the burner cleaning procedures.

Check and clean the air shutter opening at the ends of the burner. Check and clean the valve orifice at the base of the valve. Use a Steel bristle brush to clean outside of burner. This is to make sure all the burner ports are fully open.



CAUTION: Do not enlarge the burner ports when cleaning.

Check for leaks by wetting the connections with the soap and water solution and watching for bubbles. If bubbles form, or if a bubble grows, there is a leak. Note: Since some leak test solutions, including soap and water, may be slightly corrosive, all connections should be rinsed with water after checking for leaks.

Check:

- Regulator to propane cylinder connection.

WARNING: If there is a leak at connection (1), remove propane cylinder. Do not operate grill. Use a different propane cylinder and recheck for leaks with soap and water solution. If a leak persists after retightening the propane cylinder, turn OFF the gas. DO NOT OPERATE THE GRILL. Contact the Customer Service Representative in your area using the contact information on our web site. Log onto www.weber.com.

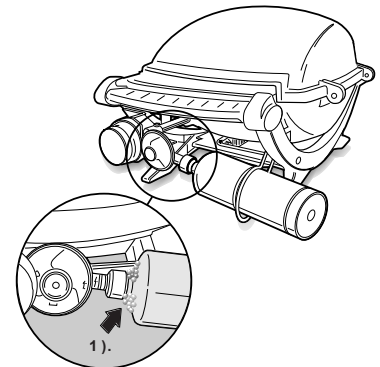
Check:

- Valve to-regulator connections.

WARNING: If there is a leak at connection (2) turn OFF the gas. DO NOT OPERATE THE GRILL. Contact the Customer Service Representative in your area using the contact information on our web site. Log onto www.weber.com.

⚠ DANGER

Do not use an open flame to check for gas leaks. Be sure there are no sparks or open flames in the area while you check for leaks. Sparks or flames will result in a fire or explosion, which can cause serious bodily injury or death, and damage to property.



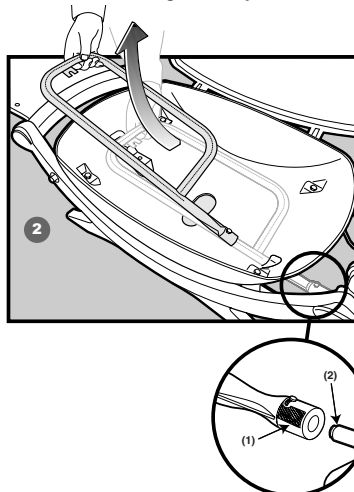
When leak checks are complete, turn gas supply OFF at the source and rinse connections with water.

- To reinstall the burner, reverse 5) through 7).

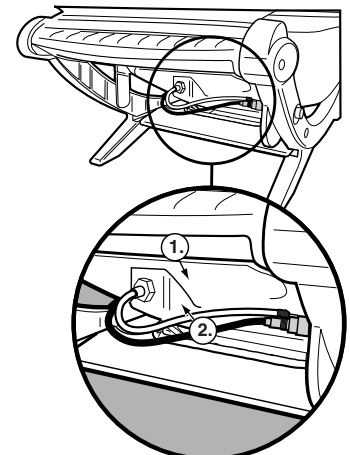
Make sure the igniter port hole(A) lines up with the arrow tab(B) on the igniter box.

Ignition System Operations

If the ignition system fails to ignite the burner, light the burner with a match. If the burner lights with a match, then check the ignition system.



- Check that both the white(1) and black(2) ignition wires are attached properly.
- Check that the ignition button pushes the igniter (button) down, and returns to the up position. If the ignition system still fails to light, Contact the Customer Service Representative in your area using the contact information on our web site. Log onto www.weber.com.



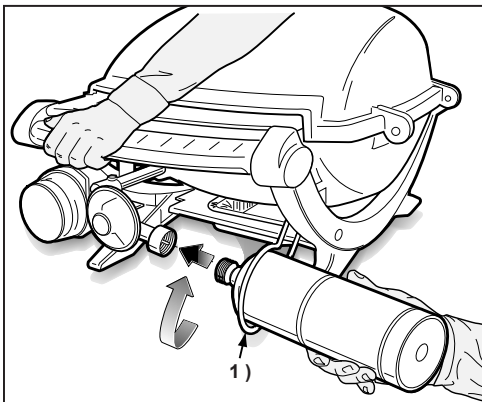
Attach Propane Cylinder

Use propane cylinders with a capacity of 14.1 oz or less. Use propane cylinders that are approximately 3" inches in diameter and 11" inches in length. The propane cylinder must fit through the cylinder support ring (1).

CAUTION: Use cylinders that are marked "Propane fuel" only.

Note: Your Weber® gas grill is equipped with a cylinder supply system designed for vapor withdrawal.

Slide propane cylinder through support ring (1). While holding carrying handle closest to propane cylinder with one hand, push propane cylinder into regulator and turn clockwise until tight.

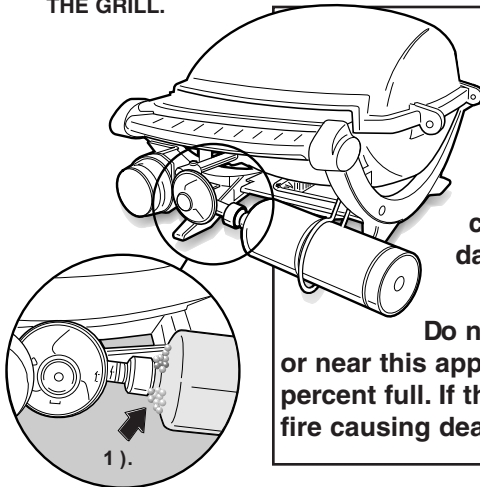


WARNING: Do not use a wrench to tighten the connection. Using a wrench could damage the regulator coupling and could cause a leak.

Check for gas leaks:

1) Regulator to propane cylinder connection.

WARNING: If there is a leak at connection (1), remove propane cylinder. Do not operate grill. Use a different propane cylinder and recheck for leaks with soap and water solution. If a leak persists after retightening the propane cylinder, turn OFF the gas. **DO NOT OPERATE THE GRILL.**



Contact the Customer Service Representative in your area using the contact information on our web site. Log onto www.weber.com®.

2) Valve to-regulator connections.

WARNING: If there is a leak at connection (2) turn OFF the gas. **DO NOT OPERATE THE GRILL.** Contact the Customer Service Representative in your area using the contact information on our web site. Log onto www.weber.com®.

When leak checks are complete, turn gas supply OFF at the source and rinse connections with water.

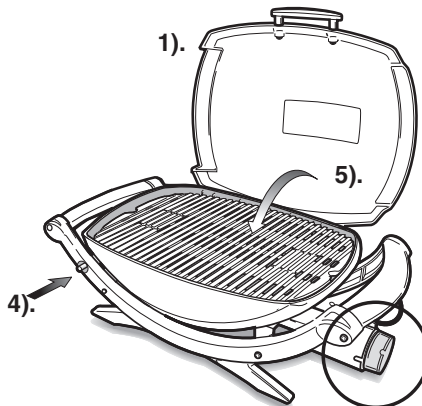
⚠ DANGER

Do not use an open flame to check for gas leaks. Be sure there are no sparks or open flames in the area while you check for leaks. Sparks or flames will result in a fire or explosion which can cause serious bodily injury or death, and damage to property.

⚠ DANGER

Do not store a spare LP-gas cylinder under or near this appliance. Never fill the cylinder beyond 80 percent full. If the instructions are not followed exactly, a fire causing death or serious injury may occur.

1).



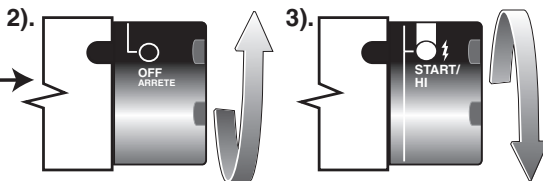
Lighting

- 1) Open the lid.
- 2) Make sure the control knob is turned OFF. (Push control knob in and turn clockwise to ensure that it is in the OFF position.

WARNING: Do not lean over the open grill. Keep your face and body at least one foot away from the matchlight hole when lighting the grill.

- 3) Push burner control knob down and turn to START/HI.
- 4) Push the red ignition button several times, so it clicks each time.

- 5) Check that the burner is lit by looking down through the cooking grate. You should see a flame. **WARNING:** If the burner does not light, turn the burner control knob to OFF and wait 5 minutes to let the gas clear before you try again or try to light with a match.



To Extinguish

Push in and turn burner control knob clockwise to the OFF position.

⚠ DANGER

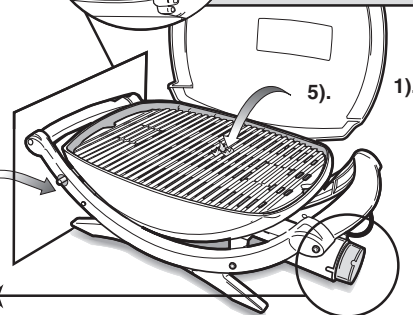
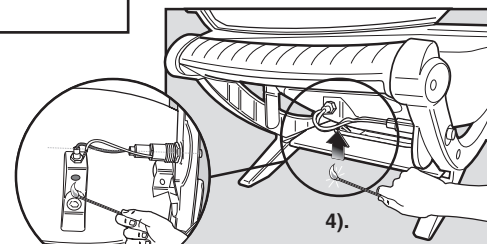
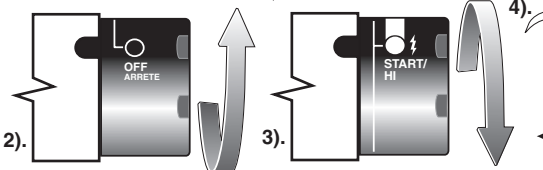
Failure to open the lid while igniting the grill's burner, or not waiting 5 minutes to allow the gas to clear if the grill does not light, may result in an explosive flame-up which can cause serious bodily injury or death.

Manual Lighting

- 1) Open the lid.
 - 2) Make sure the burner control knob is turned OFF.
- WARNING:** Do not lean over the open grill. Keep your face and body at least one foot away from the matchlight hole when lighting the grill.

- 3) Push burner control knob down and turn to START/HI.
- 4) Strike a match and put the flame into the matchlight hole under the igniter.

- 5) Check that the burner is lit by looking down through the cooking grate. You should see a flame.
- WARNING:** If the burner does not light, turn the burner control knob to OFF and wait 5 minutes to let the gas clear before you try again or try to light with a match.





weber baby

**Guide de l'utilisateur –
barbecue au propane**
Vous devez lire ce Guide de
l'Utilisateur avant de vous
servir de votre barbecue à gaz

⚠ DANGER

En cas de fuite de gaz:

1. Fermez le gaz de l'appareil.
2. Éteignez toute flamme nue.
3. Ouvrez le couvercle
4. Si l'odeur de gaz persiste, éloignez-vous de l'appareil et communiquez immédiatement avec votre fournisseur de gaz ou alertez les pompiers. Toute fuite de gaz risque de provoquer un incendie ou une explosion susceptible d'entraîner des blessures graves, voire mortelles, ou des dégâts matériels.

⚠ AVERTISSEMENT

1. N'entreposez pas de bouteille de propane liquide de rechange à moins de 3 m de l'appareil.
2. N'entreposez pas ou n'utilisez pas d'essence ou d'autres liquides ou gaz inflammables à moins de 8 m de cet appareil.

⚠ AVERTISSEMENT:

N'essayez pas d'allumer cet appareil sans avoir lu la section "Instructions pour l'allumage" de ce guide pour toute utilisation ultérieure.

⚠ **AVERTISSEMENT:** Suivez rigoureusement toutes les procédures d'étanchéité figurant dans de ce guide avant toute utilisation du bar-becue. Faites-le également si le barbecue a été assemblé par le concessionnaire.

AVIS À L'INSTALLATEUR: Ces instructions doivent rester entre les mains du propriétaire et celui-ci doit les conserver pour toute utilisation ultérieure.

**CE BARBECUE EST
UNIQUEMENT CONÇU
POUR USAGE EXTÉRIEUR.**

⚠ AVERTISSEMENTS

- ⚠ N'entreposez pas de bouteille de propane de rechange ou débranchée sous ou à proximité de ce barbecue.
- ⚠ Tout montage incorrect peut s'avérer dangereux. Veuillez suivre rigoureusement les instructions d'assemblage contenues dans ce guide.
- ⚠ Après une période d'entreposage ou de non-utilisation du barbecue à gaz Weber®, vérifiez qu'il n'y a ni fuites de gaz ni obstructions dans les brûleurs avant toute utilisation. Voir les instructions de ce guide pour connaître les bonnes procédures.
- ⚠ Ne faites pas fonctionner le barbecue à gaz Weber® en cas de fuite de gaz.
- ⚠ Ne vous servez pas d'une flamme pour rechercher des fuites de gaz.
- ⚠ Aucun corps combustible ne doit se trouver à moins de 60 cm du haut, du dessous, de l'arrière ou des côtés de votre barbecue à gaz Weber®.
- ⚠ Votre barbecue à gaz Weber® ne doit en aucun cas être utilisé par un enfant. Les parties accessibles du barbecue peuvent être très chaudes. Lors de son utilisation, tenez le barbecue hors de portée des enfants.
- ⚠ Vous devez prendre un minimum de mesures de sécurité lorsque vous faites fonctionner votre barbecue à gaz Weber®. Il est brûlant pendant la cuisson ou le nettoyage et ne doit jamais rester sans surveillance ou être déplacé lors de son utilisation.
- ⚠ Si un brûleur s'éteint en cours de fonctionnement, fermez le robinet de gaz. Ouvrez le couvercle et patientez cinq minutes avant d'essayer de le rallumer, en suivant les instructions pour l'allumage.
- ⚠ N'utilisez pas de charbon de bois ou de pierre volcanique dans votre barbecue à gaz Weber®.
- ⚠ Ne vous penchez jamais au-dessus du barbecue ouvert et ne placez jamais vos mains ou vos doigts sur le bord avant de la cuve.

⚠ DANGER

Le non-respect des dangers, avertissements et mises en garde figurant dans ce guide de l'utilisateur risque de provoquer des blessures graves, voire mortelles, ou un incendie ou une explosion susceptible d'entraîner des dégâts matériels.

- ⚠ Si de la graisse s'enflamme, fermez le brûleur et laissez le couvercle fermé jusqu'à extinction du feu.
- ⚠ N'élargissez pas l'ouverture du robinet ou les têtes de brûleur lors du nettoyage du robinet ou du brûleur.
- ⚠ Le barbecue à gaz Weber® doit être régulièrement nettoyé à fond.
- ⚠ Le propane n'est pas un gaz naturel. Toute conversion ou toute tentative d'utilisation de gaz naturel dans un appareil au gaz propane ou de gaz propane dans un appareil au gaz naturel peut s'avérer dangereuse et annule votre garantie.
- ⚠ Ne débranchez aucun raccord de gaz en cours de fonctionnement de votre barbecue.
- ⚠ Utilisez des mitaines ou des poignées résistantes à la chaleur lorsque vous faites fonctionner le barbecue.
- ⚠ Éloignez tout cordon d'alimentation électrique des surfaces chauffantes.
- ⚠ N'utilisez pas ce barbecue à moins que toutes les pièces ne soient correctement assemblées. L'appareil doit être correctement assemblé selon les instructions décrites dans la section "Instruction de montage" du guide de l'utilisateur.
- ⚠ N'utilisez pas le barbecue à gaz Weber® Q™ dans un coffre de voiture, de voiture familiale, de mini-fourgonnette, de véhicule utilitaire sport (VUS), de véhicule de plaisance.
- ⚠ Utilisez le détendeur fourni avec votre barbecue à gaz Weber®.
- ⚠ N'essayez pas de débrancher le détendeur de gaz ou tout raccord de gaz lors du fonctionnement du barbecue.
- ⚠ Si vous voyez, sentez ou entendez le bruit caractéristique d'une fuite de gaz de la bouteille de propane:
 1. Éloignez-vous de la bouteille de propane.
 2. N'essayez pas de résoudre le problème.
 3. Alertez les pompiers.



Pour toute question ou tout conseil concernant votre barbecue, ou son fonctionnement sécuritaire, veuillez communiquer avec notre service d'assistance téléphonique gratuit au **1-800-446-1071** et un expert Weber® baby Q s'occupera de vous. Nous sommes ouverts 24 heures sur 24, tous les jours de l'année sauf à Noël. Ou vous pouvez visiter notre site www.weber.com.

Vous allez y trouver énormément de conseils utiles et de nombreuses recettes savoureuses.

Votre barbecue à gaz Weber® est un appareil de cuisson portable à usage extérieur. Le barbecue à gaz Weber® permet de griller, de rôtir à la broche, de rôtir et de cuire et donne des résultats qu'il est presque impossible d'égaliser avec d'autres appareils ménagers à usage intérieur. Le couvercle fermé donne un fumet à la nourriture.

Le barbecue à gaz Weber® est transportable, vous pouvez donc aisément le déplacer dans votre jardin ou sur votre patio. Portabilité signifie que vous pouvez le transporter avec vous lorsque vous vous déplacez.

L'alimentation en gaz propane est d'utilisation plus facile que celle au charbon de bois et vous permet de mieux contrôler la cuisson.

Entreposage et non-utilisation

- Lorsque le barbecue à gaz Weber® n'est pas utilisé, la bouteille de propane doit être DÉBRANCHÉE et entreposée à l'extérieur dans un endroit bien ventilé. Placez les caches anti-poussière sur les sorties de la valve de la bouteille lorsque celle-ci est inutilisée.
- Vérifiez qu'il n'y a ni fuites de gaz ni obstructions dans les tubes des brûleurs avant d'utiliser le barbecue à gaz Weber®. (Voir les sections: "Entretien général et Entretien annuel.")
- Vérifiez également que les moustiquaires contre les araignées et les insectes ne sont pas obstruées. (Voir la section: "Entretien annuel.")

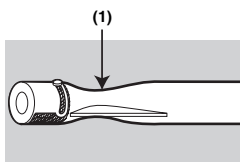
Utilisation

- ⚠ **AVERTISSEMENT: Utilisez uniquement ce barbecue à l'extérieur dans un endroit bien ventilé. Ne l'utilisez pas dans un garage, un bâtiment, un passage recouvert ou dans n'importe quel endroit fermé.**
- ⚠ **AVERTISSEMENT: Votre barbecue à gaz Weber® ne doit en aucun cas être utilisé sous un toit ou un auvent non protégé constitué de matériaux combustibles.**
- ⚠ **AVERTISSEMENT: Votre barbecue à gaz Weber® n'est pas conçu pour être installé dans ou sur des véhicules ou bateaux de plaisance.**
- ⚠ **AVERTISSEMENT: Aucun corps combustible ne doit se trouver à moins de 60 cm (24 po) du haut, du dessous, de l'arrière ou des côtés du barbecue.**
- ⚠ **AVERTISSEMENT: La cuve devient entièrement brûlante en cours d'utilisation. Ne la laissez pas sans surveillance.**
- ⚠ **AVERTISSEMENT: Éloignez tout cordon d'alimentation électrique des surfaces chauffantes.**
- ⚠ **AVERTISSEMENT: Éloignez la zone de cuisson de tout liquide ou gaz inflammable tel que l'essence, l'alcool, etc., et de tout corps combustible.**
- ⚠ **AVERTISSEMENT: N'entrez jamais une bouteille de propane supplémentaire (de rechange) sous ou à proximité du barbecue à gaz Weber®.**

Moustiquaires contre les araignées et les moustiques Weber®

Votre barbecue à gaz Weber®, comme tous les appareils utilisés en extérieur, représente une cible de choix pour les araignées et autres insectes. Ceux-ci peuvent se nicher dans la section à venturi (1) de tube de brûleur. Cela bloque la circulation normale du gaz qui risque alors d'être refoulé par l'obturateur d'air. Cela risque de générer un incendie à l'intérieur et autour de l'obturateur d'air, endommageant gravement votre barbecue.

L'obturateur d'air des tubes de brûleurs est muni d'un tamis en acier inoxydable (1) pour empêcher les araignées et autres insectes d'accéder aux tubes des brûleurs par les ouvertures de l'obturateur d'air.



- Ces instructions vous fournissent les renseignements primordiaux nécessaires au montage de votre barbecue à gaz Weber®. Veuillez lire les instructions soigneusement avant l'utilisation du barbecue à gaz Weber®. Tout montage incorrect peut s'avérer dangereux.
- Utilisation interdite aux enfants.
- Le cas échéant, conformez-vous aux règles locales s'appliquant aux barbecues à gaz portables. En cas d'absence de règles locales, conformez-vous au dernier code national relatif au gaz combustible: ANSI Z 223.1/NFPA54.
- Le détendeur de pression fourni avec le barbecue à gaz Weber® doit être utilisé. Ce détendeur est défini pour une colonne d'eau (pression) de 26 cm (10.5 po).
- Ce barbecue à gaz Weber® est conçu pour une utilisation exclusive au propane. Ne l'utilisez pas avec un gaz naturel (gaz de ville). Le robinet et le détendeur sont conçus pour un usage exclusif au propane.
- N'utilisez pas de charbon de bois.
- Ce barbecue à gaz Weber® n'est pas conçu pour une utilisation commerciale.

⚠ **AVERTISSEMENT: Durant la cuisson, l'appareil doit reposer sur une surface stable et de niveau dans un endroit libre de tout matériau combustible. Une surface en asphalte (dessus noir) peut ne pas convenir à cette application.**

⚠ **Utilisez des mitaines ou des poignées résistantes à la chaleur lorsque vous faites fonctionner le barbecue.**

Cuisson

Pour allumer le barbecue: consultez les instructions pour l'allumage.

Pour préchauffer le barbecue: allumez le Weber® baby Q conformément aux instructions pour l'allumage contenues dans ce guide de l'utilisateur. Fermez le couvercle et tournez la manette de réglage du brûleur sur la position Start/Hi (Allumage/Maximum). Préchauffez le barbecue pendant 5 à 10 minutes (selon les conditions météorologiques).

Remarque: les conditions météorologiques telles que le vent et la température peuvent exiger le réglage de manette pour obtenir les températures de cuisson adéquates.

Si le brûleur s'éteint en cours de cuisson, ouvrez le couvercle, fermez le brûleur et attendez 5 minutes avant de le rallumer.

Dégoulinades et graisse: L'excédent de dégoulinades et de graisse est recueilli par une lèchefrite se trouvant sous le plateau inférieur (situé sous le barbecue). Des contenants jetables pour lèchefrite sont disponibles.

- ⚠ **AVERTISSEMENT: vérifiez la lèchefrite et le dessous du barbecue avant chaque utilisation pour voir si de la graisse s'y est accumulée. Enlevez l'excédent de graisse pour éviter que celle-ci ne s'enflamme dans la partie inférieure du barbecue.**
- ⚠ **AVERTISSEMENT: ne déplacez pas le barbecue à gaz Weber® lorsqu'il est allumé ou encore chaud.**

- L'ingestion d'alcool ou de médicaments de prescription ou non peut diminuer l'habileté de l'utilisateur à assembler l'appareil de façon correcte et sûre.
- Ce barbecue à gaz Weber® n'est pas conçu pour servir comme appareil de chauffage et ne devrait donc jamais être utilisé à cette fin.
- Ne laissez pas le barbecue à gaz Weber® sans surveillance. Ne laissez jamais les enfants et les animaux approcher du barbecue à gaz Weber®.
- Assurez-vous que la section située sous le panneau de commande et le plateau inférieur est libre de tout débris qui pourrait gêner l'écoulement de l'air de combustion ou de ventilation.

Pour les installations au Canada:

Ces instructions, généralement acceptées, ne sont pas nécessairement conformes aux codes d'installation canadiens, plus particulièrement en ce qui concerne la tuyauterie au-dessus et en dessous du sol. Au Canada, l'installation de cet appareil doit se conformer aux règles locales et au code d'installation standard de propane CAN/CGA-B149.2.

Nettoyage

⚠ **AVERTISSEMENT: Éteignez votre barbecue à gaz Weber® et attendez qu'il refroidisse avant de le nettoyer.**

Pour toute disponibilité de grille de cuisson de remplacement, communiquez avec le représentant du service à la clientèle local dont les coordonnées figurent sur la fiche de renseignements fournie avec votre guide. Contactez à www.weber.com.

Surfaces extérieures - Utilisez de l'eau savonneuse chaude pour le nettoyage, puis rincez avec de l'eau.

⚠ **MISE EN GARDE: N'utilisez pas de nettoyant à four, de détergents abrasifs (détergents pour cuisine), nettoyants contenant des produits d'agrumes, ou des tampons nettoyeurs abrasifs sur le barbecue ou les surfaces du chariot.**

Faites glisser vers l'extérieur le plateau inférieur. Retirez l'excédent de graisse, puis nettoyez avec de l'eau savonneuse chaude, puis rincez.

Grille de cuisson - Nettoyez avec une brosse à poils de laiton adéquate. Au besoin, retirez-la du barbecue et nettoyez-la avec de l'eau savonneuse, puis rincez-la avec de l'eau.

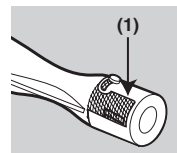
Lèchefrite - Des contenants jetables sont disponibles, ou vous pouvez garnir la lèchefrite avec du papier d'aluminium. Pour nettoyer la lèchefrite, utilisez de l'eau savonneuse chaude, puis rincez.

Intérieur de la cuve - Éliminez tous les débris se trouvant dans les tubes des brûleurs. N'ÉLARGISSEZ PAS LES TÊTES DE BRÛLEUR (OUVERTURES). Nettoyez l'intérieur de la cuve avec de l'eau savonneuse chaude puis rincez à l'eau.

Intérieur du couvercle - Tant que le couvercle est chaud, essuyez l'intérieur avec un essuie-tout pour éviter toute accumulation de graisse. L'accumulation de graisse floconneuse ressemble à des flocons peints.

Nous vous recommandons d'inspecter la moustiquaire contre les araignées et les insectes au moins une fois par an. (Voir la section "Entretien annuel".) Vérifiez et nettoyez également la moustiquaire contre les araignées et les insectes si l'un des symptômes suivants se manifeste:

- 1) Une odeur de gaz se répand alors que la flamme des brûleurs est jaune et s'affaiblit.
- 2) Le barbecue n'atteint pas la température de cuisson.
- 3) Le barbecue chauffe de façon inégale.
- 4) Un ou plusieurs des brûleurs ne s'allument pas.



⚠ DANGER
Si les problèmes mentionnés ci-dessus ne sont pas résolus, un incendie susceptible d'occasionner des blessures graves, voire mortelles, ou de provoquer des dégâts matériels risque de se produire.

ENTRETIEN ANNUEL

Inspection et nettoyage de la moustiquaire contre les araignées et les insectes

Pour inspecter la moustiquaire contre les araignées et les insectes, retirez le panneau de commande. Si la moustiquaire contre les araignées et les insectes est recouverte de poussière ou de saleté, nettoyez-la après avoir retiré le brûleur.

Nettoyez doucement la moustiquaire contre les araignées et les insectes avec une brosse à poils doux (par ex. une brosse à dents usagée).

⚠ **MISE EN GARDE: Ne nettoyez pas la moustiquaire contre les araignées et les insectes avec des**

outils durs ou tranchants. Ne délogez pas la moustiquaire contre les araignées et les insectes et n'élargissez pas ses ouvertures.

Tapotez doucement sur le brûleur pour extraire les débris et la saleté de son tube. Une fois que la moustiquaire contre les araignées et les insectes et le brûleur sont propres, remettez le brûleur en place.

Si la moustiquaire contre les araignées et les insectes est endommagée et ne peut pas être nettoyée, contactez le service à la clientèle de Weber-Stephen Products pour commander les pièces de rechange.

Configuration de flamme des brûleurs principaux

Le mélange air-gaz correct du brûleur du barbecue à gaz

Weber® a été réglé en usine.

La configuration de flamme correcte est montrée.

- 1) Tube de brûleur
- 2) Pointes occasionnellement de couleur jaune scintillant
- 3) Bleu clair
- 4) Bleu foncé

Si les flammes ne semblent pas uniformes partout dans le tube de brûleur, suivez les procédures de nettoyage du brûleur.



Procédure de nettoyage des brûleurs principaux

Fermez l'alimentation en gaz. Retirez le brûleur. (Voir Remplacement de tube de brûleur.)

Regardez à l'intérieur du brûleur avec une lampe de poche. Nettoyez l'intérieur du brûleur avec un fil (un cintre redressé fera l'affaire). Vérifiez et nettoyez l'ouverture de l'obturateur

d'air aux extrémités du brûleur. Vérifiez et nettoyez l'orifice du robinet à la base du robinet. Utilisez une brosse à poils d'acier pour nettoyer l'extérieur du brûleur. Ceci afin de s'assurer que toutes les têtes de brûleur sont complètement ouvertes.



⚠ **MISE EN GARDE: N'élargissez pas les têtes de brûleur lors du nettoyage.**

Détection des fuites de gaz

Après une période de non-utilisation, nous vous recommandons d'effectuer les procédures d'entretien suivantes pour votre sécurité.

• Vérifiez que la configuration de flamme du brûleur est normale. Nettoyez, si nécessaire, en suivant les procédures décrites dans la section "Entretien général" de ce guide.

• Vérifiez l'étanchéité de tous les raccords de gaz.

⚠ **AVERTISSEMENT: il convient de rechercher les fuites de gaz lors de chaque débranchement et rebranchement d'un raccord de gaz.**

Remarque - L'étanchéité de tous les raccords usinés a été soigneusement vérifiée. Les brûleurs ont tous été soumis à un essai à la flamme. Toutefois, par mesure de sécurité, il est préférable de vérifier à nouveau l'étanchéité de tous les raccords avant l'utilisation de votre barbecue à gaz Weber®. Il se peut qu'un raccord de gaz ait été desserré ou endommagé lors de son expédition et de sa manipulation.

⚠ **AVERTISSEMENT: Recherchez toute fuite de gaz même si votre barbecue a été assemblé par le revendeur ou en magasin.**

Il vous faut: de l'eau savonneuse et un chiffon ou une brosse pour l'appliquer.

Pour détecter toute fuite de gaz : assurez-vous que le brûleur est sur la position fermée. Ouvrez le robinet d'alimentation en gaz.

⚠ **AVERTISSEMENT: n'allumez pas le brûleur quand vous recherchez toute fuite de gaz.**

Recherchez les fuites en mouillant les raccords avec de

l'eau savonneuse et en surveillant l'apparition de bulles. Si des bulles se forment ou si une bulle présente sur un raccord grossit, cela signifie qu'il y a une fuite.

Remarque: Dans la mesure où certaines solutions utilisées pour le contrôle de l'étanchéité, y compris l'eau savonneuse, peuvent être légèrement corrosives, il convient de rincer tous les raccords à l'eau après un tel contrôle.

Vérifiez:

1) Le raccordement du détendeur à la bouteille de propane.

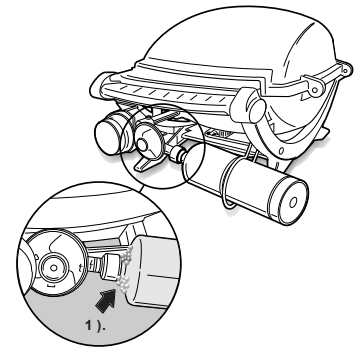
⚠ **AVERTISSEMENT: En cas de fuite au niveau du raccordement (1), retirez la bouteille de propane. Ne vous servez pas du barbecue. Utilisez une autre bouteille de propane et vérifiez à nouveau s'il y a une fuite avec de l'eau savonneuse. Si la fuite persiste après resserrage du raccord de la bouteille de propane, COUPEZ l'alimentation en gaz. NE VOUS SERVEZ PAS DU BARBECUE. Contacter le représentant du Service à la clientèle de votre région figurant dans la page de contacts sur notre site web. Aller sur www.weber.com.**

Vérifiez:

2) Les raccordements du robinet au détendeur.

⚠ **AVERTISSEMENT: en cas de fuite au niveau du raccordement (2), COUPEZ l'alimentation en gaz. Ne vous servez pas du barbecue. Contacter le représentant du Service à la clientèle de votre région figurant dans la page de contacts sur notre site web. Aller sur www.weber.com.**

⚠ DANGER
Ne vous servez pas d'une flamme nue pour rechercher des fuites de gaz. Assurez-vous qu'aucune source d'étincelles ni de flammes nues ne se trouve à l'endroit où vous procédez à cette opération pour éviter tout risque d'incendie ou d'explosion susceptible d'entraîner des blessures graves voire, mortelles, ou des dégâts matériels.



Une fois la détection des fuites terminée, COUPEZ l'alimentation en gaz à la source et rincez les raccords à l'eau.

Remplacement de tube de brûleur

1) Votre barbecue Weber® Q™ doit être ÉTEINT et froid.

2) Dévissez et retirez la bouteille de propane de l'ensemble robinet/détendeur.

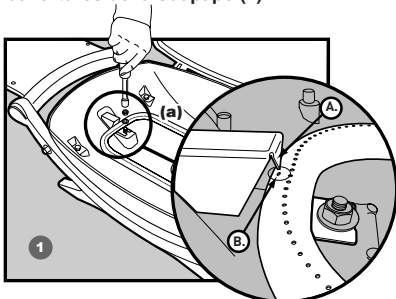
3) Ouvrez le couvercle.

4) Retirez la grille de cuisson.

5) Dévissez et retirez l'écrou hexagonal en acier inoxydable de 0,6 x 50 cm (20 po) et la rondelle en acier inoxydable fixant le tube de brûleur à l'intérieur de la cuve (a).

6) Faites glisser délicatement vers l'arrière le tube de brûleur de la cuve

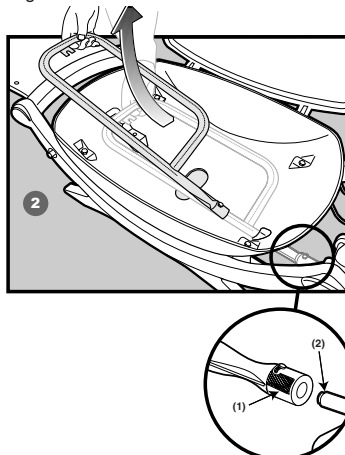
⚠ **ATTENTION: les ouvertures du brûleur (1) doivent être positionnées correctement au-dessus des ouvertures de la soupape (2).**



7) Pour remettre les brûleurs en place, suivre les étapes 5 à 7 dans l'ordre inverse.

Assurez-vous que l'orifice du port de l'allumeur (A) se trouve en face de la languette fléchée (B) du boîtier de l'allumeur.

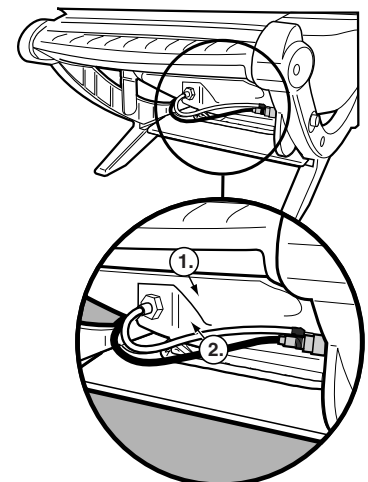
Fonctionnement du système d'allumage En cas d'échec d'allumage du brûleur par le système d'allumage, allumez-le avec une allumette. Si le brûleur s'allume au moyen d'une allumette, vérifiez alors le système d'allumage.



• Vérifiez que les deux fils blanc (1) et noir (2) sont correctement attachés.

• Vérifiez que le bouton d'allumage enfonce le bouton d'allumeur, puis qu'il retourne sur la position sortie.

Si le système d'allumage ne fonctionne toujours pas, Contacter le représentant du Service à la clientèle de votre région figurant dans la page de contacts sur notre site web. Aller sur www.weber.com.

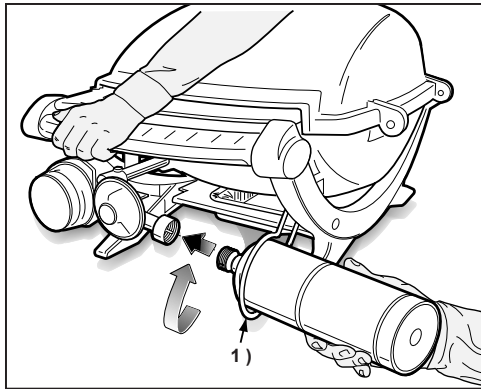


Fixation de la bouteille de propane

Utilisez des bouteilles de propane d'une capacité maximale de 400 grammes (14.1 oz.). Utilisez des bouteilles de propane d'environ 8 cm (3 po) de diamètre et 28 cm (11 po) de long. La bouteille de propane doit s'emboîter dans la bague du support de bouteille.

⚠ MISE EN GARDE: N'utilisez que des bouteilles portant la mention "Gaz propane"

Note: Votre barbecue à gaz Weber® est muni d'un système d'alimentation conçu pour l'aspiration de vapeurs à partir d'une bouteille. Introduisez la bouteille de propane dans la bague du support. Tout en maintenant d'une main la poignée de transport le plus près possible de la bouteille de propane, poussez cette dernière dans le détendeur et tournez vers la droite tant qu'elle n'est pas serrée.

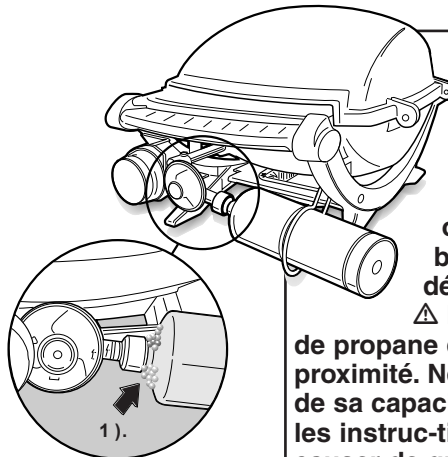


⚠ AVERTISSEMENT: N'utilisez pas de clé pour serrer le raccordement. L'utilisation d'une clé risque d'endommager le raccord du détendeur et d'entraîner une fuite.

Détection des fuites de gaz :

1) Raccordement du détendeur à la bouteille de propane.

⚠ AVERTISSEMENT: En cas de fuite au niveau du raccordement (1), retirez la bouteille de propane. Ne vous servez pas du barbecue. Utilisez une autre bouteille de propane et vérifiez à nouveau s'il y a une fuite avec de l'eau savonneuse. Si la fuite persiste après resserrage du raccord de la bouteille de propane, COUPEZ l'alimentation en gaz.



NE VOUS SERVEZ PAS DU BARBECUE. Contacter le représentant du Service à la clientèle de votre région figurant dans la page de contacts sur notre site web. Aller sur www.weber.com®.

Vérifiez:

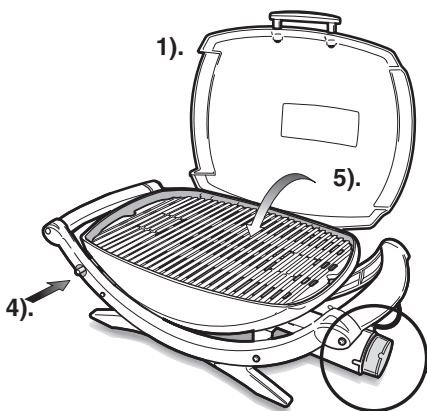
2) Les raccordements du robinet au détendeur.

⚠ AVERTISSEMENT: En cas de fuite au niveau du raccordement (2), COUPEZ l'alimentation en gaz. Ne vous servez pas du barbecue. Contactez le représentant du Service à la clientèle de votre région figurant dans la page de contacts sur notre site web. Aller sur www.weber.com®.

Une fois la détection des fuites terminée, COUPEZ l'alimentation en gaz à la source et rincez les raccords à l'eau.

⚠ DANGER Ne vous servez pas d'une flamme nue pour rechercher des fuites de gaz. Assurez-vous qu'aucune source d'étincelles ni de flammes nues ne se trouve à l'endroit où vous procédez à cette opération pour éviter tout risque d'incendie ou d'explosion susceptible d'entraîner des blessures graves, voire mortelles, ou des dégâts matériels.

⚠ DANGER Ne pas entreposer une bouteille de propane de remplacement sous cet appareil ou à proximité. Ne jamais remplir la bouteille à plus de 80% de sa capacité. Si vous ne suivez pas de façon précise les instructions, il peut en résulter un feu qui pourrait causer de graves blessures et même la mort.



Allumage

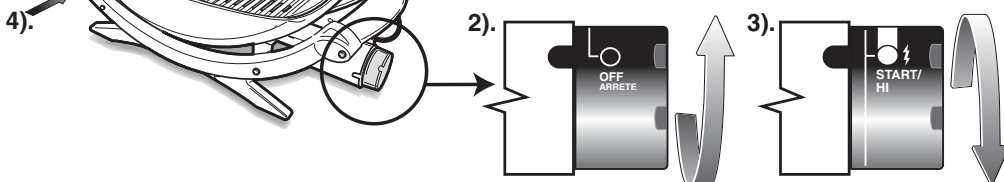
- 1) Ouvrez le couvercle.
- 2) Assurez-vous que la manette de réglage est en position OFF (fermée). (Enfonchez et tournez la manette de réglage vers la droite pour vous assurer qu'elle est bien en position OFF (fermée).

⚠ AVERTISSEMENT: ne vous penchez pas au-dessus du barbecue ouvert. N'approchez pas votre visage ni le reste de votre corps à moins de 30 centimètres (12 po) du trou d'allumage par allumette quand vous mettez le barbecue en marche.

- 3) Enfoncez la manette de réglage du brûleur et tournez-la sur START/HI (Allumage/Maximum).

- 4) Appuyez plusieurs fois sur le bouton d'allumage jusqu'à ce qu'il émette un déclic à chaque fois.

- 5) Vérifiez que le brûleur est allumé en regardant à travers la grille de cuisson. Vous devez apercevoir une flamme. **⚠ AVERTISSEMENT: Si le brûleur ne s'allume pas, tournez la manette de réglage en position OFF (fermée) et attendez 5 minutes pour permettre au gaz de se dissiper avant de réessayer avec une allumette.**



Extinction: Enfoncez et tournez la manette de réglage du brûleur vers la droite sur la position OFF (fermée).

⚠ DANGER

Le fait de ne pas ouvrir le couvercle lors de l'allumage des brûleurs du barbecue ou de ne pas attendre 5 minutes pour laisser le gaz se dissiper si le barbecue ne s'allume pas risque de provoquer une flambée soudaine explosive pouvant entraîner des blessures graves, voire mortelles.

Allumage manuel

- 1) Ouvrez le couvercle.
- 2) Assurez-vous que la manette de réglage du brûleur est en position OFF (fermée).

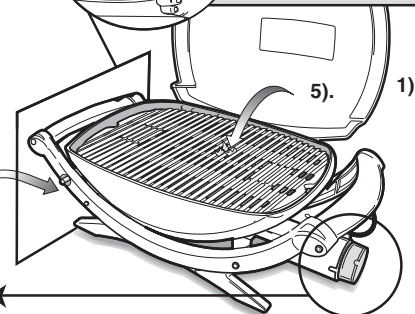
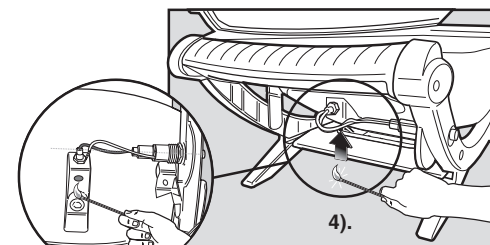
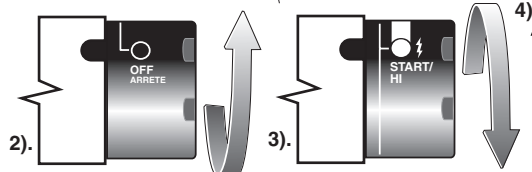
⚠ AVERTISSEMENT: ne vous penchez pas au-dessus du barbecue ouvert. N'approchez pas votre visage ni le reste de votre corps à moins de 30 centimètres (12 po) du trou d'allumage par allumette quand vous mettez le barbecue en marche.

- 3) Enfoncez la manette de réglage du brûleur et tournez-la sur START/HI (Allumage/Maximum).

- 4) Craquez une allumette et introduisez la flamme dans le trou d'allumage sous l'allumeur.

- 5) Vérifiez que le brûleur est allumé en regardant à travers la grille de cuisson. Vous devez apercevoir une flamme.

⚠ AVERTISSEMENT: Si le brûleur ne s'allume pas, tournez la manette de réglage en position OFF (fermée) et attendez 5 minutes pour permettre au gaz de se dissiper avant de réessayer ou d'allumer le brûleur avec une allumette.





Guía del propietario de las barbacoas de gas LP

Tiene que leer la guía del propietario antes de operar la barbacoa de gas

⚠ PELIGRO

Si no se siguen los Peligros, Advertencias y Precauciones incluidas en este Manual del propietario se pueden provocar lesiones personales graves o la muerte, o en caso de un incendio o explosión daños a la propiedad.

⚠ PELIGRO

Si siente olor a gas:

1. Desconecte el gas del aparato.
2. Apague las llamas abiertas.
3. Abra la tapa
4. Si el olor persiste, aléjese del aparato y llame inmediatamente a su proveedor de gas o al Departamento de bomberos. Las fugas de gas pueden ocasionar un incendio o explosión, lo cual puede ocasionar serias lesiones corporales o la muerte, o daños a la propiedad.

ESTE APARATO DE GAS ESTÁ DISEÑADO PARA UTILIZARSE ÚNICAMENTE EN EXTERIORES.

⚠ ADVERTENCIAS

- ⚠ No guarde un cilindro de propano de repuesto o desconectado debajo o cerca de este asador.
- ⚠ Si se ensambla inadecuadamente podría ser peligroso. Por favor, siga con cuidado las instrucciones de ensamble que se incluyen en este manual.
- ⚠ Después de un período de almacenamiento o desuso, se debe revisar si el asador a gas Weber® tiene fugas y obstrucciones en el quemador antes de usarlo. Consulte las instrucciones que se incluyen en este manual para obtener los procedimientos correctos.
- ⚠ No opere el asador a gas Weber® si existe una fuga de gas.
- ⚠ No utilice una llama para revisar fugas de gas.
- ⚠ No se deben dejar materiales combustibles a 24 pulgadas de la parte superior, inferior, posterior o laterales de su asador a gas Weber®.
- ⚠ Los niños nunca deben utilizar su asador a gas Weber®. Las partes expuestas del asador pueden estar muy calientes. Mientras esté en uso, mantenga alejados a los niños.
- ⚠ Debe ser prudente cuando opere su asador a gas Weber®. El asador estará caliente mientras cocina o lo limpia, y nunca se debe descuidar o mover durante la operación.
- ⚠ Si necesita retirar el quemador mientras está en operación, apague la válvula de gas. Abra la cubierta y espere cinco minutos antes de intentar volverlo a encender, mediante las instrucciones de encendido.
- ⚠ No utilice carbón o rocas volcánicas en su asador a gas Weber®.
- ⚠ Nunca se apoye sobre la parrilla abierta o coloque las manos o los dedos sobre el borde delantero de la caja de cocción.
- ⚠ Si se quema la grasa, apague el quemador y deje cerrada la cubierta hasta que se apague el fuego.
- ⚠ No agrande el orificio de la válvula o los puertos del quemador cuando limpie la válvula o el quemador.

⚠ ADVERTENCIA:

1. No almacene el cilindro de gas propano líquido de reserva dentro de una distancia de 10 pies (3m) de este aparato.
2. No almacene o utilice gasolina u otros líquidos inflamables o vapores dentro de 25 pies (8m) de este aparato.

⚠ **ADVERTENCIA:** No intente encender este aparato sin haber leído la sección con las Instrucciones de "Encendido" de este manual.

⚠ **ADVERTENCIA:** Siga con atención todos los procedimientos de verificación de fugas que se encuentran en este manual antes de poner en funcionamiento el asador. Haga esto, aunque el asador sea ensamblado por el distribuidor.

AVISO PARA EL INSTALADOR: Estas instrucciones se deben dejar con el propietario y éste debe conservarlas para su uso posterior.

- ⚠ El asador a gas Weber® se debe limpiar con cuidado y regularmente.
- ⚠ El gas propano no es gas natural. La conversión o intentar usar gas natural en una unidad de propano o si usa gas propano en una unidad de gas natural es peligroso y anulará su garantía.
- ⚠ No intente desconectar cualquier conector de gas cuando su asador esté en uso.
- ⚠ Utilice mitones o guantes para asador resistentes al calor cuando opere el asador.
- ⚠ Mantenga alejado de superficies calientes cualquier cordón de suministro eléctrico.
- ⚠ Los subproductos de la combustión que se producen cuando usa este producto contienen químicos que de conformidad con el estado de California provocan cáncer, defectos congénitos u otros daños reproductivos.
- ⚠ No utilice este asador a menos que todas las partes estén en su lugar. La unidad se debe ensamblar correctamente de acuerdo con las instrucciones que se describen en la sección "Instrucciones de ensamble" de la Guía del propietario.
- ⚠ No utilice la parrilla Q™ de Weber® en una cajuela de vehículo, en una camioneta, en una minivan, en un vehículo utilitario deportivo (SUV), en un vehículo recreacional (RV).
- ⚠ Utilice el regulador que se incluye con su asador a gas Weber®.
- ⚠ No intente desconectar el regulador de gas o cualquier conector de gas cuando su asador esté en operación.
- ⚠ Si observa, huele o escucha que hay un escape de gas del cilindro de propano:
 1. Apártese del cilindro de propano.
 2. No intente corregir usted mismo el problema.
 3. Llame al departamento de bomberos.



Si tiene preguntas o necesita asesoría relacionada con su parrilla o su funcionamiento seguro, llame sin costo a nuestra línea permanente **1-800-446-1071** y un Experto de Weber® baby Q le ayudará. Atendemos las 24 horas del día, todos los días de año, con excepción de Navidad. O también puede visitar www.weber.com®. Encontrará un sinfín de consejos útiles y muchas recetas deliciosas en nuestro sitio web.

Su asador a gas Weber® es un aparato de cocina portátil para exteriores. Con el asador a gas Weber® puede asar, cocinar, dorar y hornear con resultados que son difíciles de imitar con aparatos de cocina para interiores. La cubierta cerrada produce ese sabor "de exteriores" en la comida.

El asador a gas Weber® es portátil de manera que puede cambiarlo fácilmente de lugar en su patio trasero o delantero. Portabilidad significa que puede llevar el asador a gas Weber®, si se mueve.

El suministro de gas propano es fácil de utilizar y le ofrece más control de cocinado que el combustible de carbón.

• Estas instrucciones le proporcionarán los requisitos mínimos para ensamblar su asador a gas Weber®.

Almacenamiento o desuso

- Cuando el asador a gas Weber® no esté en uso, el cilindro de propano se debe DESCONECTAR, y el cilindro de propano se debe almacenar en el exterior en un área bien ventilada. Coloque las tapas antipolvo sobre las bocas de salida de la válvula del cilindro cuando éste no se esté usando.
- Se debe revisar si el asador a gas Weber® tiene fugas de gas y cualquier obstrucción en los tubos del quemador antes de utilizarlo. (Consulte las secciones: "Mantenimiento general y mantenimiento anual").
- También se debe revisar si el protector contra arañas e insectos tiene obstrucciones. (Consulte la sección: "Mantenimiento anual").

Operación

- ⚠ **ADVERTENCIA:** Utilice este asador únicamente en exteriores en un área bien ventilada. No lo utilice en una garaje, edificio, pasaje techado entre edificios o en cualquier otra área cerrada.
- ⚠ **ADVERTENCIA:** Su asador a gas Weber® no se debe utilizar debajo de un techo o un toldo combustible que esté desprotegido.
- ⚠ **ADVERTENCIA:** Su asador a gas Weber® no está diseñado para instalarlo en o sobre vehículos recreacionales o botes.
- ⚠ **ADVERTENCIA:** No se debe utilizar este asador cuando haya materiales combustibles a 24 pulgadas de la parte superior, inferior, posterior o laterales de la parrilla.
- ⚠ **ADVERTENCIA:** La caja de cocción completa se calienta cuando está en uso. No la descuide.
- ⚠ **ADVERTENCIA:** Mantenga alejado de cualquier superficie caliente cualquier cordón de suministro eléctrico.
- ⚠ **ADVERTENCIA:** Mantenga el área de cocina libre de vapores y líquidos inflamables como la gasolina, el alcohol, etc. y de materiales combustibles.
- ⚠ **ADVERTENCIA:** Nunca almacene un cilindro de propano adicional (repuesto) debajo o cerca del asador a gas Weber®.

Lea las instrucciones cuidadosamente antes de utilizar su asador a gas Weber®. Si se ensambla inadecuadamente podría ser peligroso.

- No debe ser utilizado por niños.
- Si hay códigos locales que aplican a parrillas de gas portátil, se deberá regir con éstos. Si no hay códigos locales, se deberá regir con la última edición del Código Nacional de Gas Combustible: ANSI Z 223.1/NFPA54.
- Se debe utilizar el regulador de presión que se incluye con el asador a gas Weber®. Este regulador está configurado para 10.5 pulgadas de columna de agua (presión).
- Este asador a gas Weber® está diseñado para utilizarlo con gas propano únicamente. No lo utilice con gas natural (suministrado por tubería en la ciudad). La válvula y el regulador son para uso exclusivo con gas propano.
- No los utilice con combustible de carbón.

- Esta barbacoa de gas Weber® no está diseñada para uso comercial.
- El uso de alcohol o de drogas, recetadas o no, puede afectar la capacidad del comprador para ensamblar apropiadamente este aparato o operarlo de manera segura.
- Esta barbacoa de gas Weber® no está diseñada para usarse ni jamás deberá usarse como un calentador.
- No deje a la barbacoa de gas Weber® sola en ningún momento. Mantenga a niños y mascotas alejados de la barbacoa de gas Weber® en todo momento.
- Asegúrese de que el área debajo del panel de control y la bandeja inferior no tenga desechos que pudiesen obstruir el flujo de aire de combustión o de ventilación.

Para la instalación en Canadá: Estas instrucciones, a pesar de que son generalmente aceptadas, no necesariamente cumplen con los Códigos de instalación canadienses, particularmente con tuberías sobre y debajo de la tierra. En Canadá la instalación de este aparato debe cumplir con los códigos locales o con el Código de instalación de gas propano CAN/CGA-B149.2 estándar.

⚠ **ADVERTENCIA:** Cuando se esté cocinando, el aparato deberá estar sobre una superficie nivelada y estable en un área libre de material combustible. Una superficie de asfalto puede que no sea aceptable para este propósito.

Cocción

Para comenzar: Consulte su guía de parrillada de las Tarjetas Q™.

Para encender la parrilla: Consulte las instrucciones de encendido que se incluyen en este manual.

Para precalentar la parrilla: Encienda baby Q de Weber® de acuerdo con las instrucciones de encendido que se incluyen en este manual del propietario. Cierre la cubierta y gire la perilla de control del quemador a Start/Hi (Inicio/Alto). Precaliente la parrilla durante 5 a 10 minutos (dependiendo de condiciones tales como la temperatura del aire y el viento).

Nota: En condiciones de viento y según el clima se puede requerir el ajuste de la perilla de control del quemador para obtener la temperatura de cocción correcta.

Si el quemador se apaga cuando cocina, abra la cubierta, apague el quemador y espere cinco minutos antes de volverlo a encender.

Escurrimientos y grasa: Los escurrimientos y grasas abundantes se recogerán en el recipiente receptor que se encuentra en la bandeja inferior deslizable (que se encuentra debajo de la parrilla). Se ofrecen recipientes para escurrimientos desechables de Weber®, los cuales se ajustan al recipiente receptor.

- ⚠ **ADVERTENCIA:** Antes de usar el asador revise si en el recipiente receptor y en la parte inferior de la parrilla hay acumulaciones de grasa. Retire el exceso de grasa para evitar un incendio en la parte inferior de la parrilla.
- ⚠ **ADVERTENCIA:** No mueva baby Q de Weber® cuando esté en operación o cuando la parrilla esté caliente.

Limpieza

⚠ **ADVERTENCIA:** Apague su asador a gas Weber® y deje que se enfríe antes de limpiarlo.

Si desea confirmar la disponibilidad de parrillas de cocción de reemplazo, comuníquese con el Representante de servicio al cliente de su región, por medio de la hoja de información de contacto que se incluye en su manual. Aller sur www.weber.com®. Superficies externas – Utilice una solución de agua con jabón para limpiar, luego enjuague con agua.

⚠ **PRECAUCIÓN:** No utilice limpiador de horno, limpiadores abrasivos (limpiadores de cocina) que contengan productos cítricos o esponjas abrasivas para limpieza en las superficies del asador o de la carretilla.

Saque la bandeja inferior – Retire el exceso de grasa, luego lave con agua jabonosa caliente y enjuague Parrilla de cocción – Limpie con un cepillo de cerdas de bronce adecuado. Como sea necesario, retire la parrilla y lávela con agua jabonosa caliente, y enjuague.

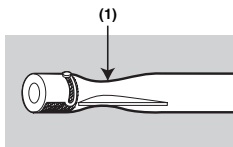
Recipiente receptor – Puede conseguir bandejas desechables de aluminio, o puede recubrir el recipiente receptor con papel aluminio. Para limpiar el recipiente receptor, lave con agua jabonosa caliente, luego enjuague.

Caja de cocción interior – Retire con un cepillo cualquier desecho de los tubos del quemador. **NO AGRANDE LOS PUERTOS DEL QUEMADOR (ABERTURAS).** Lave el interior de la caja de cocción con agua jabonosa caliente y enjuague con agua.

Cubierta interior - Mientras la cubierta esté tibia, limpie su interior con toallas de papel para evitar la acumulación de grasa. Las escamas de grasa acumuladas se parecen a las escamas de pintura.

Protector contra arañas e insectos de Weber®

Su asador a gas Weber®, así como cualquier otro aparato de gas para exteriores, es un objetivo para las arañas y otros insectos. Éstos pueden anidar en la sección venturi (1) del tubo del quemador. Esto bloquea el flujo normal de gas, y puede ocasionar que el gas fluya de regreso fuera del cierre de aire. También podría ocasionar un incendio dentro y fuera del cierre del aire, ocasionando serios daños a su asador.

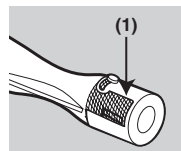


El cierre de aire del tubo del quemador está ajustado con un filtro de acero inoxidable (1) para evitar que las arañas y otros insectos puedan obtener acceso a los tubos del quemador a través de las aberturas del cierre de aire.

Le recomendamos que inspeccione el filtro contra arañas e insectos por lo menos una vez al año. (Consulte la Sección "Mantenimiento anual".) También inspeccione y limpie el filtro contra arañas e insectos, si se presentaran algunos de los siguientes síntomas:

- 1) El olor a gas en conjunto con las llamas del quemador parece amarillo y está lento.
- 2) El asador no alcanza la temperatura.

- 3) El asador no se calienta de manera uniforme.
- 4) Uno o más de los quemadores no enciende.



⚠ **PELIGRO**
Si no se reconocen los síntomas mencionados, se puede producir un incendio, lo que ocasionaría serias lesiones corporales o la muerte, y daños a la propiedad.

MANTENIMIENTO ANUAL

Inspección y limpieza del filtro contra arañas e insectos

Retire el panel de control, para inspeccionar el filtro contra arañas e insectos. Si existe polvo o suciedad en el filtro, retire el quemador para poder limpiar el filtro. Cepille ligeramente el filtro contra arañas e insectos con un cepillo de cerdas suaves (p. Ej., un cepillo de dientes viejo).

⚠ PRECAUCIÓN: No limpie el filtro contra arañas e insectos con herramientas fuertes o afiladas.

No desaloje el filtro contra arañas e insectos o aumente las aberturas del filtro.

Procedimiento de limpieza del quemador principal

Desconecte el suministro de gas. Retire el quemador. (Consulte Reemplazo del tubo del quemador.)

Mire dentro del quemador con una linterna.

Limpie el interior del quemador con un cable (una sercha abierta funcionará). Verifique y limpie la abertura del cierre del aire en los extremos del quemador. Verifique y

Golpatee el quemador para eliminar desperdicios o suciedad del tubo del quemador. Después de haber limpiado el filtro contra arañas e insectos y el quemador, coloque de nuevo el quemador.

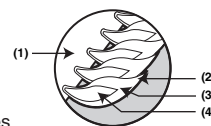
Si el filtro contra arañas e insectos llegara a dañarse o no se pudiera limpiar, llame a Servicio al cliente de Productos Weber-Stephen para obtener partes de reemplazo.

Molde principal del quemador de llama

El quemador del asador a gas Weber® ha sido configurado en fábrica para la correcta mezcla de aire y

gas. Se muestra el molde de llama correcto.

- 1) Tubo del quemador
- 2) Las puntas ocasional-mente titilan en amarillo
- 3) Azul claro
- 4) Azul oscuro



Si las llamas no se ven uniformes en todo el tubo del quemador, siga los procedimientos para limpieza del quemador.

Verificación de fugas de gas

Después de un periodo sin uso, se recomienda que usted efectúe los siguientes procedimientos de mantenimiento para su seguridad.

• Inspeccione el quemador para ver el molde de llama correcto. Efectúe una limpieza, si fuera necesaria, siguiendo los procedimientos descritos en la sección "Mantenimiento general" de este manual.

• Revise todos los empalmes de gas en busca de fugas.

⚠ ADVERTENCIA: Debe revisar si hay fugas de gas cada vez que desconecte y vuelva a conectar el empalme de gas.

Nota: Todas las conexiones de fábrica, han sido completamente revisadas en busca de fugas de gas. A los quemadores se les ha realizado prueba de llamas. Como una precaución por seguridad, sin embargo, debe revisar de nuevo todos los empalmes para ver si hay fugas, antes de utilizar su asador a gas Weber®. El envío y el manejo pueden haber alojado o dañado un empalme de gas.

⚠ ADVERTENCIA: Realice estas verificaciones de fugas aún si su asador fue ensamblado por el distribuidor o la tienda.

Necesitará: una solución de jabón y agua y un trapo o cepillo para aplicarla.

Para realizar las verificaciones de fugas: Asegúrese de que el Quemador esté en la posición apagado (off). Conecte el suministro de gas.

⚠ ADVERTENCIA: No encienda el quemador mientras realiza la verificación de fugas.

limpie el orificio de la válvula en la base de ésta. Utilice un cepillo de cerdas de acero para limpiar el exterior del quemador. Esto se hace para asegurarse que todos los puertos del quemador están completamente abiertos.

⚠ PRECAUCIÓN: No agrande los puertos del quemador cuando efectúe la limpieza.

Verifique las fugas, mojando las conexiones con la solución de jabón y agua y observando si hay burbujas. Si se forman burbujas o si una burbuja crece, existe una fuga.

Nota: Debido a que algunas soluciones para prueba de fugas, incluyendo la de jabón y agua, pueden ser ligeramente corrosivas, todas las conexiones deben enjuagarse con agua después de haber revisado fugas.

Revise:

1) Conexión del regulador hacia el cilindro de propano.

⚠ ADVERTENCIA: Si existe una fuga en la conexión (1), retire el cilindro de propano. No ponga en funcionamiento la parrilla. Utilice un cilindro de propano diferente y vuelva a revisar si hay fugas con una solución de jabón y agua. Si una fuga persiste después de apretar de nuevo el cilindro de propano, DESCONECTE el gas. NO PONGA EN FUNCIONAMIENTO LA PARRILLA. Contacte al Representante de Servicio a los Clientes en su región usando la información de contacto en nuestro sitio en la Internet. Conéctese a www.weber.com.

Revise:

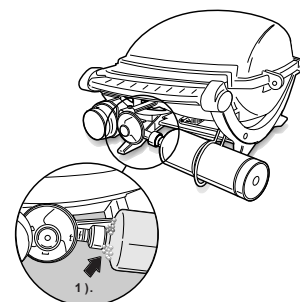
2) Las conexiones de la válvula hacia el regulador.

⚠ ADVERTENCIA: Si existe una fuga en la conexión (2), DESCONECTE el gas. NO PONGA EN FUNCIONAMIENTO LA PARRILLA. Contacte al Representante de Servicio a los Clientes en su región usando la información de contacto en nuestro sitio en la Internet. Conéctese a www.weber.com.



⚠ PELIGRO

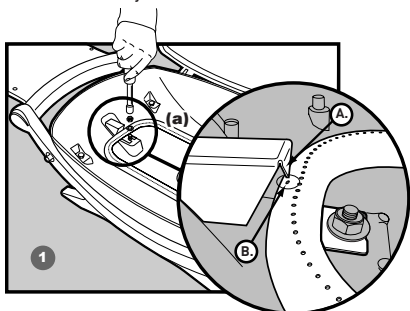
No utilice llamas al aire libre para revisar las fugas de gas. Asegúrese de que no existan chispas o llamas al aire libre en el área en donde revisa si hay fugas. Las chispas o llamas provocarán un incendio o una explosión, que puede ocasionar serias lesiones corporales o la muerte, y daños a la propiedad.



Cuando haya finalizado la revisión de fugas, DESCONECTE el suministro de gas en la fuente y enjuague las conexiones con agua.

Reemplazo del tubo del quemador

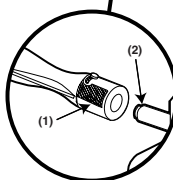
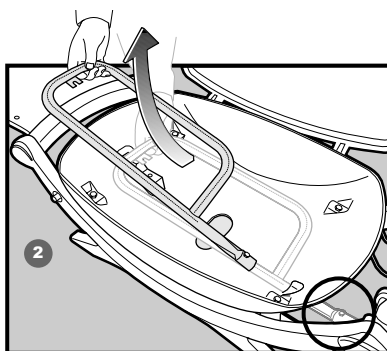
- 1) Su asador Q® de Weber® debe estar APAGADOR y frío.
- 2) Desconecte y retire el cilindro de propano del ensamble de la válvula/regulador.
- 3) Abra la tapa.
- 4) Retire la parrilla de cocción.
- 5) Desatornille y retire la tuerca hexagonal de acero inoxidable de 1/4 x 20 pulgadas y la arandela de acero inoxidable que sostiene el tubo del quemador dentro de la caja de cocción (a).
- 6) Deslice con cuidado el tubo del quemador para retirarlo de la caja de cocción.



⚠ PRECAUCIÓN: las aperturas del quemador(1) deberán posicionarse correctamente sobre los orificios de la válvula(2).

7) Para instalar de nuevo los quemadores, repita los pasos del 5) al 7).

Asegúrese de que el orificio del encendedor(A) esté alineado con el rótulo de la flecha(B) sobre el cajetín del encendedor.



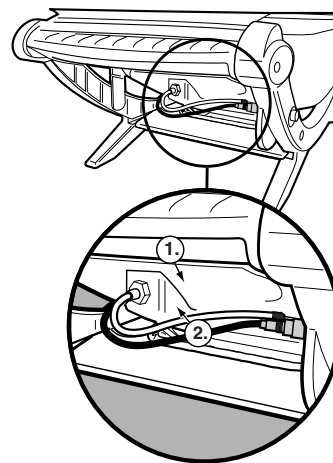
Operaciones del sistema de encendido

Si el sistema de encendido no enciende el quemador, enciéndalo con un fósforo. Si el quemador enciende con un fósforo, entonces revise el sistema de encendido.

• Verifique que los cables de ignición, tanto el blanco (1) como el negro (2) estén adecuadamente conectados.

• Verifique que el botón de ignición empuje hacia abajo el encendedor (botón) y regrese a la posición superior.

Si el sistema de ignición aún no funciona, Contacte al Representante de Servicio a los Clientes en su región usando la información de contacto en nuestro sitio en la Internet. Conéctese a www.weber.com.

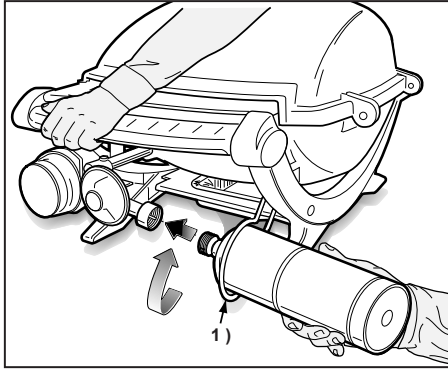


Conexión del cilindro de gas propano

Utilice cilindros de propano con una capacidad de 14.1 oz o menos. Utilice cilindros de propano que midan aproximadamente 3" de diámetro y 11" de longitud. El cilindro de propano debe ajustarse a través del aro de soporte del cilindro(1).

⚠ Precaución: Utilice solamente cilindros que estén marcados "Combustible propano"

Nota: Su parrilla de gas Weber® está equipada con un sistema de suministro desde cilindros diseñado para el retiro del vapor. Deslice el cilindro de propano a través del aro de soporte. Mientras toma el sostenedor lo más cercano al cilindro de propano con una mano, empuje el cilindro de propano en el regulador y gírelo hacia la derecha hasta que quede ajustado.

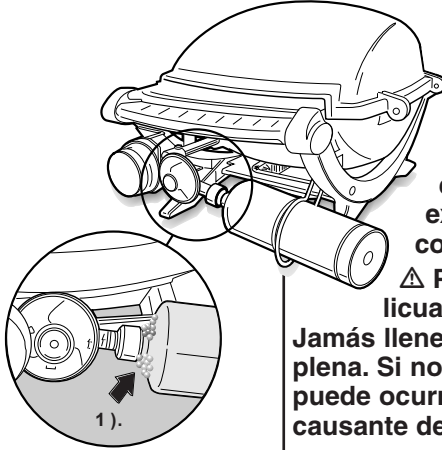


⚠ ADVERTENCIA: No utilice una llave para apretar la conexión. El uso de una llave podría dañar el acoplamiento del regulador y ocasionar una fuga.

Verificación de fugas de gas:

1) Conexión del regulador hacia el cilindro de propano.

⚠ ADVERTENCIA: Si existe una fuga en la conexión (1), retire el cilindro de propano. No ponga en funcionamiento el asador. Utilice un cilindro de propano diferente y vuelva a revisar si hay fugas con una solución de jabón y agua. Si una fuga persiste después de apretar de nuevo el cilindro de propano, DESCONECTE el gas. NO PONGA EN FUNCIONAMIENTO EL ASADOR.



⚠ PELIGRO No utilice llamas al aire libre para revisar las fugas de gas. Asegúrese de que no existan chispas o llamas al aire libre en el área en donde revisa si hay fugas. Las chispas o llamas provocarán un incendio o una explosión que puede ocasionar serias lesiones corporales o la muerte, y daños a la propiedad.

⚠ PELIGRO No almacene un cilindro de propano licuado de repuesto debajo o cerca de este aparato. Jamás llene el cilindro más allá de un 80% de su capacidad plena. Si no se siguen las instrucciones de manera precisa, puede ocurrir un fuego con consecuencias letales o causante de lesiones serias.

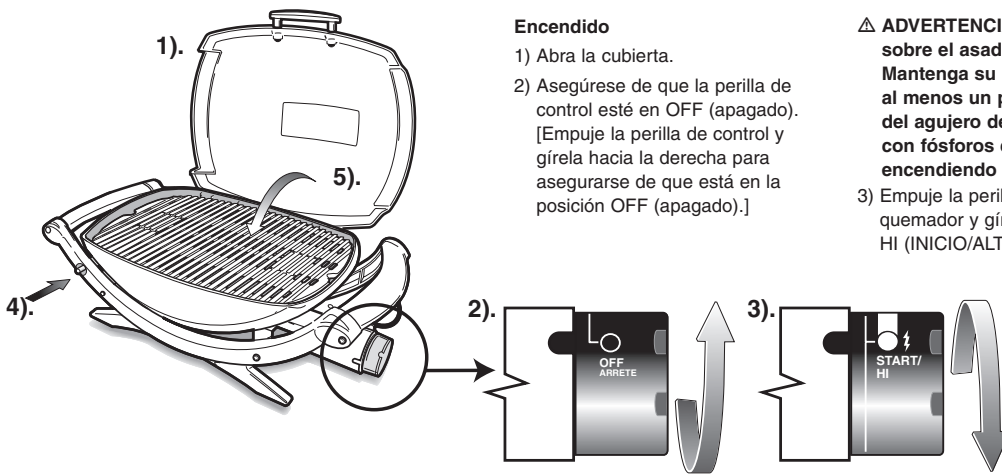
Contacte al Representante de Servicio a los Clientes en su región usando la información de contacto en nuestro sitio en la Internet. Conéctese a www.weber.com.

Revise:

2) Las conexiones de la válvula hacia el regulador.

⚠ ADVERTENCIA: Si existe una fuga en la conexión (2), DESCONECTE el gas. NO PONGA EN FUNCIONAMIENTO EL ASADOR. Contacte al Representante de Servicio a los Clientes en su región usando la información de contacto en nuestro sitio en la Internet. Conéctese a www.weber.com.

Cuando haya finalizado la revisión de fugas, DESCONECTE el suministro de gas en la fuente y enjuague las conexiones con agua.



Encendido

1) Abra la cubierta.

2) Asegúrese de que la perilla de control esté en OFF (apagado). [Empuje la perilla de control y gírela hacia la derecha para asegurarse de que está en la posición OFF (apagado).]

⚠ ADVERTENCIA: No se apoye sobre el asador abierto. Mantenga su rostro y cuerpo al menos un pie alejado del agujero de encendido con fósforos cuando esté encendiendo el asador.

3) Empuje la perilla de control del quemador y gírela hacia START/ HI (INICIO/ALTO).

4) Presione el botón de encendido rojo varias veces, de manera que haga clic cada vez.

5) Revise que el quemador esté encendido al ver a través de la perilla de cocción la parte debajo de ésta. Debe ver una llama.

⚠ ADVERTENCIA: Si el quemador no enciende, gire la perilla de control del quemador a OFF (apagado) y espere 5 minutos para dejar que se despeje el gas antes de intentar de nuevo o intente encender con un fósforo.

Para extinguir

Empuje y gire la perilla de control del quemador hacia la derecha a la posición OFF (apagado).

⚠ PELIGRO

Si no abre la cubierta mientras enciende los quemadores del asador o si no espera por 5 minutos a que se despeje el gas en caso de que no encienda el asador, se puede provocar una llamarada explosiva que podría ocasionar lesiones personales graves o la muerte.

Encendido manual

1) Abra la cubierta.

2) Asegúrese de que la perilla de control del quemador esté en OFF (apagado).

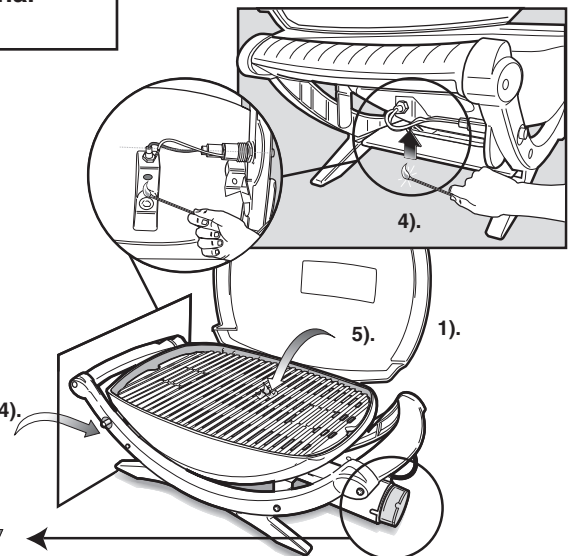
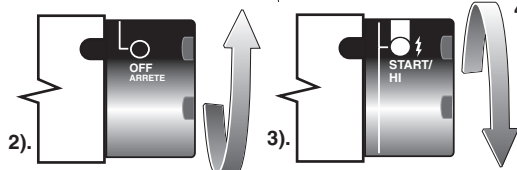
⚠ ADVERTENCIA: No se apoye sobre el asador abierto. Mantenga su rostro y cuerpo al menos un pie alejado del agujero de encendido con fósforos cuando esté encendiendo el asador.

3) Empuje la perilla de control del quemador y gírela hacia START/ HI (INICIO/ALTO).

4) Encienda un fósforo y coloque la llama en el agujero para encender con fósforos que se encuentra debajo del encendedor.

5) Revise que el quemador esté encendido al ver a través de la perilla de cocción la parte debajo de ésta. Debe ver una llama.

⚠ ADVERTENCIA: Si el quemador no enciende, gire la perilla de control del quemador a OFF (apagado) y espere 5 minutos para dejar que se despeje el gas antes de intentar de nuevo o intente encender con un fósforo.



Problem	Check	Cure
Burners burn with a yellow or orange flame, in conjunction with the smell of gas.	Inspect Weber® Insect/Spider screen for possible instructions. (Blockage of holes.)	Clean Weber® Insect / Spider screen. (See Section "Annual Maintenance")
Burner does not light, or flame is low in HIGH position.	Is butane cartridge fuel low or empty? Does the burner light with a match?	Replace propane cylinder. If you can light the burner with a match, then check the ignition system.
Experiencing flare-ups: △ CAUTION: Do not line the bottom tray with aluminum foil.	Are you preheating grill in the prescribed manner? Is the cooking grate heavily coated with burned-on grease?	Burner on high for 10 minutes for preheating. Clean thoroughly. (See Section "Cleaning") Clean bottom tray.
Burner flame pattern is erratic. Flame is low when burner is on HIGH. Flames do not run the whole length of the burner tube.	Is the bottom tray "dirty" and not allowing grease to flow into catch pan? Is the burner clean?	Clean burner. (See Section "Annual Maintenance".)
Inside of lid appears to be "peeling." (Resembles paint peeling.)	The lid is cast aluminum, not paint. It cannot "peel". What you are seeing is baked on grease that has turned to carbon and is flaking off. THIS IS NOT A DEFECT.	Clean thoroughly. (See Section "Cleaning".)
Burner does not light when igniter button is pushed.	Is burner tube positioned too far away from the igniter box?	Check that the burner tube is positioned correctly over the ignition box. (See Maintenance - "Replacing the Burner Tube")
Burner flame does not ignite completely around the burner tube.	Are the burner ports clean and fully open?	Clean burner. (See Section "Annual Maintenance".) Use a small paper clip to unclog any dirty ports.

If problems cannot be corrected by using these methods, please contact the Customer Service Representative in your region using the contact information on our web site. Log onto www.weber.com®.

Problema	Comprobar	Solución
Los quemadores tienen una llama amarilla o naranja, conjuntamente con un olor a gas.	Inspeccione el filtro contra insectos y arañas de Weber® en busca de posibles instrucciones. (Bloqueo de orificios.)	Limpie el filtro contra insectos y arañas de Weber®. (Consulte la Sección "Mantenimiento anual")
El quemador no se enciende, o la llama es baja en la posición HIGH.	¿El cilindro de combustible propano está bajo o vacío? ¿Se enciende el quemador de lanterno con un fósforo?	Reemplace el cilindro de propano Si puede encender el quemador con un fósforo, entonces revise el sistema de encendido.
Se producen llamaradas. △ PRECAUCIÓN: No recubra la bandeja del fondo con papel de aluminio.	¿Está precalentando la barbacoa tal como se prescribe? ¿Se reviste pesadamente la parrilla que cocina con quemó en la grasa?	Ponga todos los quemadores en HIGH de 10 minutos para precalentar la barbacoa. Limpielas a fondo. (Consulte la sección de Limpieza).
El aspecto de la llama del quemador es errático. La llama es baja cuando el quemador está en HIGH. Las llamas no se extienden por toda la longitud del tubo del quemador.	¿La bandeja inferior está "sucía" y no permite que la grasa fluya en el recipiente receptor? ¿Está limpio el quemador?	Limpie la bandeja del fondo. Limpie el quemador. (Consulte la Sección "Mantenimiento anual")
Parece que el interior de la tapa se está "pelando". (Parece como si fuera pintura pelándose).	La tapa es de aluminio fundido, no pintura. No se puede "pelar". Lo que usted ve está horneado en grasa que se ha vuelto carbón y ahora se descascara. ESTO NO ES UN DEFECTO.	Límpiela a fondo. (Consulte la sección de Limpieza).
El quemador no se enciende cuando se pulsa el botón de encendido	¿Está el tubo quemador demasiado lejos del cajetín del encendedor?	Verifique que el tubo quemador está correctamente posicionado sobre el cajetín del encendedor. (Vea bajo Mantenimiento "Cómo reemplazar el tubo quemador")
La llama del quemador no se enciende del todo alrededor del tubo quemador.	¿Están limpios y totalmente abiertos los orificios del quemador?	Limpie el quemador (Vea la sección: "Mantenimiento anual") Use un pequeño clip para destapar cualquier orificio sucio.

Si los problemas no pueden corregirse usando cualquiera de estos métodos, por favor contacte al Representante de Atención al Cliente en su área usando la información de contacto en nuestro sitio web. Conéctese a www.weber.com®.

Problème	Vérification	Cure
Les brûleurs produisent une flamme jaune ou orange et il se dégage une odeur de gaz.	Inspectez la moustiquaire contre les araignées et les insectes Weber® pour d'éventuelles instructions. (Obstructions des trous.)	Nettoyez la moustiquaire contre les araignées et les insectes Weber®. (Voir la section "Entretien annuel")
Le brûleur ne s'allume pas, ou la flamme est basse en position HIGH (maximum).	Est-ce que la bouteille de propane est presque vide ou vide? Le brûleur avant s'allume-t-il avec une allumette?	Remplacez la bouteille de propane. En cas d'allumage du brûleur avec une allumette, vérifiez le système d'allumage.
Des flambées soudaines se produisent: △ ATTENTION: Ne garnissez pas le plateau inférieur d'une feuille d'aluminium.	Préchauffez-vous le barbecue à gaz de la manière prescrite? La grille cuisinant est lourdement revêtue avec la graisse de brûlé sur?	Pour le réchauffage, les trois brûleurs doivent être sur HIGH (maximum) pendant 10 minutes. Nettoyez-les à fond. (Voir la section «Nettoyage».)
Les flammes des brûleurs sont irrégulières. Les flammes sont basses alors que le brûleur est réglé sur HIGH (maximum). Les flammes n'apparaissent pas sur toute la longueur du tube de brûleur.	Est-ce que le plateau inférieur est sale ne permettant plus à la graisse de s'écouler dans la lèchefrite? Est-ce que le brûleur est propre?	Nettoyez le plateau inférieur. Nettoyez le brûleur. (Voir la section "Entretien annuel".)
L'intérieur du couvercle paraît «s'écailler». (Cela ressemble à un écaillage de peinture.)	Le couvercle est en aluminium moulé, non peint. Il ne peut pas "filtrer". Ce que vous voyez est cuit sur la graisse carbonisée et se fragmente. CE N'EST PAS UN DÉFAUT.	(Voir la section «Nettoyage».)
Le brûleur ne s'allume pas quand vous enfoncez le bouton d'allumage.	Le brûleur est-il placé trop loin du boîtier de l'allumeur ?	Vérifiez que le tube du brûleur est bien placé sur le boîtier d'allumage. (Voir Maintenance - "Remplacement du tube du brûleur")
La flamme du brûleur ne s'allume pas totalement autour du tube du brûleur.	Les ports du brûleur sont-ils dégagés et totalement ouverts ?	Nettoyez le brûleur. (voir la Section "Maintenance annuelle".) Débouchez les ports obstrués avec un petit trombone.

Si les problèmes ne peuvent pas être corrigés en utilisant ces méthodes, veuillez contacter le Représentant du service clientèle de votre région à l'aide des coordonnées disponibles sur notre site Internet. Connectez-vous sur www.weber.com®.

You must preheat the grill before you cook on it. First, open the lid and turn the burner control knob to START/HI. Press the red igniter button to light the grill. Close the lid and let the grill heat for about 10 minutes. Then you will be ready to grill

A light coating of oil will help brown your food evenly and keep it from sticking to the cooking grate. Always brush or spray oil on your food, not directly on the cooking grate.

We suggest that you grill with the lid down. Why? Because it reduces the chance of flare-ups, and cooks your food faster and more evenly.

When using a marinade, sauce or glaze with a high sugar content or other ingredients that burn easily, brush it on the food only during the last 10 to 15 minutes of grilling.

Don't forget to regularly brush off your cooking grate and clean out the drip pan under the grill.

The following cuts, thicknesses, weights, and grilling times for food are meant to be guidelines rather than hard and fast rules. Cooking times are affected by such factors as altitude, wind, outside temperature and desired degree of doneness. Grill using the Direct Method for the time given on the chart or to the desired degree of doneness, turning once halfway through the grilling time. Cooking times for beef and lamb are for medium doneness, unless otherwise noted. Let thick chops and steaks rest for 5 to 10 minutes before carving. The internal temperature of the meat will rise by 5 to 10 degrees during this time.

For more grilling tips and recipes, visit www.weber.com.

	<i>Cut</i>	<i>Thickness and/or Weight</i>	<i>Approximate Grilling Time</i>
Beef	Steak: New York, rib-eye, or tenderloin	3/4 inch thick 1 inch thick 1 to 1-1/2 inches thick	6 to 8 minutes High 8 to 10 minutes High 14 to 16 minutes; sear 10 minutes High, Grill 4 to 6 minutes Low
	Kebab	1 to 1-1/2 inch cubes	10 to 12 minutes Medium
	Ground beef patty	3/4 inch thick	8 to 10 minutes Medium
Pork	Chop: rib, loin, or shoulder	3/4 to 1 inch thick 1-1/4 to 1-1/2 inches thick	10 to 15 minutes; sear 6 minutes High, grill 4 to 8 minutes Low 14 to 18 minutes; sear 8 minutes High, grill 6 to 10 minutes Low
	Loin chop, boneless	3/4 to 1 inch thick	10 to 12 minutes; sear 6 minutes High, grill 4 to 6 minutes Low
	Sausage		25 to 30 minutes Low
Chicken	Chicken breast, boneless, skinless	6 ounces	8 to 12 minutes Medium
	Chicken, half	1-1/4 to 1-1/2 pounds	1 to 1-1/4 hours Low
	Chicken pieces, bone-in breast/wing		30 to 40 minutes Low
	Chicken pieces, bone-in leg/thigh		40 to 50 minutes Low
Fish	Fish, fillet or steak	1/4 to 1/2 inch thick 1/2 to 1 inch thick 1 to 1-1/4 inches thick	3 to 5 minutes High 5 to 10 minutes High 10 to 12 minutes High
	Shrimp		2 to 5 minutes High
	Fish, whole	1 pound 2 to 2 1/2 pounds	15 to 20 minutes medium 20 to 30 minutes medium
vegetables	Asparagus		6 to 8 minutes Medium
	Corn, husked		10 to 12 minutes Medium
	Corn, in husk		25 to 30 minutes Medium
	Garlic, whole		45 to 60 minutes Low
	Mushroom: shiitake or button		8 to 10 minutes Medium
	Mushroom: portabello		12 to 15 minutes Medium
	Onion, 1/2 inch slices		8 to 12 minutes Medium
	Potato, 1/2 inch slices		14 to 16 minutes Medium
Zucchini, 1/2 inch slices		8 to 10 minutes Medium	

Debe precalentar la parrilla antes de cocinar en ella. Primero, abra la tapa y gire la perilla de control del quemador a la posición START/HI (encendido/alto). Presione el botón rojo de ignición para encender la parrilla. Cierre la tapa, déjela encendida durante alrededor de 10 minutos, y usted estará listo para empezar a asar.

Una leve capa de aceite ayudará a dorar la comida de manera pareja y prevendrá que se ésta se pegue a la rejilla de cocinar. Siempre aplique el aceite, a cepillo o como spray, sobre la comida, no sobre la rejilla de cocinar.

Le sugerimos que ase con la tapa cerrada. ¿Por qué? Ello reduce las posibilidades de llamaradas, y cocina su comida de manera más rápida y más pareja.

Cuando se use un adobo, salsa, o glaseado con un alto contenido de azúcar u otros ingredientes que se quemen con facilidad, aplíquelos con cepillo a la comida solamente durante los últimos 10 a 15 minutos del asado.

No se olvide de regularmente limpiar con un cepillo la rejilla de cocinar y de vaciar la bandeja de goteo debajo de la parrilla.

Los siguientes cortes, espesores, pesos, y tiempos de asado son dados como guías generales y no como reglas absolutas. Los tiempos de cocción son afectados por tales factores como la altitud, el viento, la temperatura al aire libre, y cuán cocido se desea. Ase usando el Método Directo durante el tiempo indicado en la tabla o hasta obtener el grado de cocido deseado, dándole vuelta a la mitad del tiempo de asado. Los tiempos de cocción para las carnes de res y de cordero son para un cocido medio, a menos que se indique lo contrario. Deje que las chuletas y bistés gruesos reposen 5 a 10 minutos antes de cortar. La temperatura interna de la carne subirá de 3 a 6 grados durante este lapso.

Para más sugerencias y recetas de asados, visite www.weber.com.

	<i>Corte</i>	<i>Espesor y/o peso</i>	<i>Tiempo aproximado de asado</i>
Carne de res	Bistec New York, corte de lomo alto, o filete	3/4 de pulgada de grosor 1 pulgada de grosor 1 a 1-1/2 pulgadas de grosor	6 a 8 minutos en "High" (Alto) 8 a 10 minutos en "High" (Alto) 14 a 16 minutos; dorar 10 minutos en "High" (Alto). Asar 4 a 6 minutos en "Low" (Bajo)
	Brocheta Hamburguesa de carne molida	cubos de 1 a 1-1/2 pulgadas 3/4 pulgadas de grosor	10 a 12 minutos en "Medium" (Medio) 8 a 10 minutos en "Medium" (Medio)
Carne de cerdo	Chuleta: costilla, lomo, o palet	3/4 a 1 pulgada de grosor 1-1/4 a 1-1/2 pulgadas de grosor	10 a 15 minutos; dorar 6 minutos en "High". asar 4 a 8 minutos en "Low" (Bajo) 14 a 18 minutos; dorar 8 minutos en "High". asar 6 a 10 minutos en "Low" (Bajo)
	Chuleta de lomo, sin hueso	3/4 pulgadas de grosor	10 a 12 minutos; dorar 6 minutos en "High". asar 4 a 6 minutos en "Low" (Bajo)
	Salchicha		25 a 30 minutos en "Low" (Baja)
Carne de ave	Pechuga de pollo, sin hueso, sin piel	6 onzas	8 a 12 minutos en "Medium" (Medio)
	Pollo, mitad	1-1/4 a 1-1/2 libras	1 a 1-1/4 horas em "Low" (Baja)
	Piezas de pollo, pechuga/ala con hueso Piezas de pollo, pierna/muslo con hueso		30 a 40 minutos en "Low" (Baja) 40 a 50 minutos en "Low" (Baja)
Pescado y mariscos	Pescado, filete o rodaja	1/4 a 1/2 pulgada de grosor 1/2 a 1 pulgada de grosor 1 a 1-1/4 pulgadas de grosor	3 a 5 minutos en "High" (Alta) 5 a 10 minutos en "High" (Alto) 10 a 12 minutos en "High" (Alta)
	Camarón		2 a 5 minutos en "High" (Alta)
	Pescado, completo	1 libra 2 a 2 1/2 libras	15 a 20 minutos en "Medium" (Medio) 20 a 30 minutos en "Medium" (Medio)
Vegetales	Espárragos		6 a 8 minutos en "Medium" (Medio)
	Maíz, mazorcas sin hoja		10 a 12 minutos "Medium" (Medio)
	Maíz, mazorcas con hoja		25 a 30 minutos "Medium" (Medio)
	Ajo, completo		45 a 60 minutos en "Low" (Baja)
	Hongos: "shiitake" o champiñones		8 a 10 minutos en "Medium" (Medio)
	Hongos: setas portabello		12 a 15 minutos en "Medium" (Medio)
	Cebolla, rodajas de 1/2 pulgada		8 a 12 minutos en "Medium" (Medio)
	Papa, rodajas de 1/2 pulgada		14 a 16 minutos en "Medium" (Medio)
Calabacita, rodajas de 1/2 pulgada		8 a 10 minutos en "Medium" (Medio)	

GUIDE DE CUISSON

Vous devez préchauffer le barbecue avant de l'utiliser pour la cuisson. Ouvrir tout d'abord le couvercle et mettre le bouton de contrôle à START/HI. Appuyer sur le bouton d'allumage rouge pour allumer le barbecue. Fermer le couvercle; laisser le barbecue chauffer pendant 10 minutes puis il est prêt à utiliser.

Une légère couche d'huile aidera à griller vos aliments également et les empêchera de coller à la grille de cuisson. Toujours badigeonner ou vaporiser l'huile sur les aliments et non sur la grille de cuisson.

Nous vous suggérons de cuire les aliments avec le couvercle rabaisé. Pourquoi ? Parce que cela diminue les chances d'avoir des montées de flammes et cuit les aliments plus rapidement et de façon plus égale.

Si vous utilisez une marinade, une sauce ou un glaçage à haute teneur en sucre ou tout autre ingrédient qui brûle facilement, badigeonnez-la dans les derniers 10 à 15 minutes de la période de cuisson.

Ne pas oublier de gratter régulièrement votre grille de cuisson et de nettoyer le bac d'égouttement sous la grille.

Les coupes, épaisseurs, poids et temps de cuisson suivants servent de guides et ne constituent pas des directives strictes. Des facteurs tels que l'altitude, les vents, la température extérieure et la cuisson désirée peuvent faire varier les temps de cuisson. Cuire à l'aide de la méthode directe pour le temps suggéré sur le diagramme ou selon la cuisson désirée, en tournant une fois pendant la période de cuisson. Les temps de cuisson pour le boeuf et l'agneau sont pour une cuisson moyenne à moins d'indication contraire. Laisser les côtelettes et les steaks épais cuire 5 à 10 minutes avant d'entailer. La température interne de la viande augmentera de 5 à 10 degrés pendant cette période.

Pour obtenir d'autres trucs de cuisson et des recettes, visiter www.weber.com.

	<i>Coupe</i>	<i>Épaisseur et/ou poids</i>	<i>Temps de cuisson approximatif</i>
Boeuf	Steak : New York, Oeuf de ronde ou filet	3/4 pouce (1,91 cm) 1 pouce (2,5 cm) 1 pouce à 1 1/2 pouce	6 à 8 minutes à haute température 8 à 10 minutes à haute température 14 à 16 minutes; saisir 10 minutes à haute température, Griller de 4 à 6 minutes à basse température.
	Kebab	Cubes de 1 pouce de 1 1/2 pouces	10 à 12 minutes à cuisson moyenne
	Fricadelle de boeuf haché	3/4 pouces (19,1 mm)	8 à 10 minutes à cuisson moyenne
Porc	Côtelettes : côte, longe, ou épaule	3/4 à 1 pouce (1,91 cm · 2,5 cm) d'épais 1 1/4 à 1 1/2 pouces (3,18 à 3,81 cm) d'épais	10 à 15 minutes; saisir 6 minutes à haute température, Griller de 4 à 8 minutes à basse température 14 à 18 minutes; saisir 8 minutes à haute température, Griller de 6 à 10 minutes · basse température
	Côte de longe, sans os	3/4 à 1 pouce (1,91 cm · 2,5 cm) d'épais	10 à 12 minutes; saisir 6 minutes à haute température, Griller de 4 à 6 minutes à basse température
	Saucisses		Griller de 25 à 30 minutes à basse température
Volaille	Poitrine de poulet, sans os et sans peau	6 onces (177,44 ml)	8 à 12 minutes à cuisson moyenne
	Poulet, demi	1 1/4 à 1 1/2 pouces (3,18 à 3,81 cm) d'épais	1h à 1h15 à basse température
	Morceaux de poulet, poitrine et ailes avec os		Griller de 30 à 40 minutes à basse température
	Morceaux de poulet, cuisse et haut de cuisse avec os		Griller de 40 à 50 minutes à basse température
Poisson et fruits de mer	Poisson, filet ou steak	1/4 à 1 pouce (1,91 à 2,5 cm) d'épais 1/2 à 1 pouce (1,91 à 2,5 cm) d'épais 1 à 1 1/2 pouce d'épais	3 à 5 minutes à haute température 5 à 10 minutes à haute température 10 à 12 minutes à haute température
	Crevettes		2 à 5 minutes à haute température
	Poisson, entier	1 livre (500 g) 2 à 2 1/2 livres (1 kg à 1,13 kg)	15 à 20 minutes à température moyenne 20 à 30 minutes à température moyenne
Légumes	Asperges		6 à 8 minutes à température moyenne
	Maïs, décortiqué		10 à 12 minutes à température moyenne
	Maïs, en épis		25 à 30 minutes à température moyenne
	Ail, entier		45 to 60 minutes Low
	Champignons : shiitake ou en bouton		8 à 10 minutes à température moyenne
	Champignons : portabello		12 à 15 minutes à température moyenne
	Oignons, tranches de 1/2 pouce (12,7 mm)		8 à 12 minutes à température moyenne
	Patates, tranches de 1/2 pouces (12,7 mm)		14 à 16 minutes à température moyenne
Zucchini, tranches de 1/2 pouces (12,7 mm)		8 à 10 minutes à température moyenne	



WEBER-STEPHEN PRODUCTS CO.

www.weber.com[®]

©2004 The following trademarks are registered in the name of Weber-Stephen Products Co., an Illinois corporation, located at 200 East Daniels Road, Palatine, Illinois 60067 U.S.A. Australia; Smokey Joe, Weber, Kettle Silhouette[™], Genesis, Austria; Kettle Silhouette[™], Smokey Joe, Weber, Benelux; Kettle Silhouette[™], Smokey Joe, Weber, Compact Grill Configuration, Botswana; Weber, Canada; Smokey Joe, Genesis, China; Kettle Silhouette[™], Denmark; Kettle Silhouette[™], Smokey Joe, Weber, Finland; Smokey Joe, France; Kettle Silhouette[™], Smokey Joe, Weber, One-Touch, Germany; Smokey Joe, Weber, One-Touch, Greece; Smokey Joe, Ireland; Kettle Silhouette[™], Smokey Joe, Italy; Smokey Joe, Weber, Japan; Smokey Joe, Weber, Korea; Smokey Joe, Weber, New Zealand; Weber, Smokey Joe, Nigeria; Weber, Norway; Smokey Joe, Weber, Portugal; Weber, South Africa: Smokey Joe, Weber, Kettle Configuration, Spain; Smokey Joe, Weber, Sweden; Kettle Silhouette[™], Smokey Joe, Switzerland; Kettle Silhouette[™], Smokey Joe, Weber, United Kingdom; Smokey Joe, Weber, Weber One-Touch, U.S.A.; Kettle Configuration, Kettle Silhouette[™], Smokey Joe, Weber, One-Touch, Firespice, Go-Anywhere, U.S.A.; Kettle Configuration, Kettle Silhouette[™], Genesis, Flavorizer, Crossover, Flamgo, Performer, Rapidfire, Tuck 'N Carry, Jumbo Joe, Bar-B-Kettle, Master-Touch, Spirit, Grill Out, Summit, Platinum, 1-800-Grill-Out, Ranch, Matchless Flame, Zimbabwe; Weber, Kettle Configuration, Kettle Silhouette[™].

Free Manuals Download Website

<http://myh66.com>

<http://usermanuals.us>

<http://www.somanuals.com>

<http://www.4manuals.cc>

<http://www.manual-lib.com>

<http://www.404manual.com>

<http://www.luxmanual.com>

<http://aubethermostatmanual.com>

Golf course search by state

<http://golfingnear.com>

Email search by domain

<http://emailbydomain.com>

Auto manuals search

<http://auto.somanuals.com>

TV manuals search

<http://tv.somanuals.com>