



GENERAL INFORMATION SUMMIT 475 & 675 Natural Gas Barbecues



Summit 475 NG

THIS GAS APPLIANCE IS DESIGNED FOR OUTDOOR USE ONLY.



Summit 675 NG

THIS GAS APPLIANCE IS DESIGNED FOR OUTDOOR USE ONLY.

BUILT-IN CONSTRUCTION GENERAL INFORMATION

WARNING

A Weber-Stephen Products Co. insulated sleeve must be used for any built-in installation.

LOCATING YOUR BARBECUE

When determining a suitable location for your barbecue installation, give attention to concerns such as exposure to wind, proximity to traffic paths, and keeping any gas supply lines as short as possible. Never locate the Weber Gas Barbecue in a garage, breezeway, shed, under an unprotected overhang, or other enclosed area. Locate the barbecue and structure so there is enough room to safely evacuate the area in case of a fire.

CLEARANCE FROM NON-COMBUSTIBLE SURFACES OR STRUCTURES

Warning: Clearance from the outside walls of the sides and back of the insulated sleeve must be a minimum of 6 inches from a non-combustible surface. Measure from the outside wall of the insulated surface to the non-combustible surface. Figure 1. Refer to "Install Gas Supply" on page 2 before starting installation.

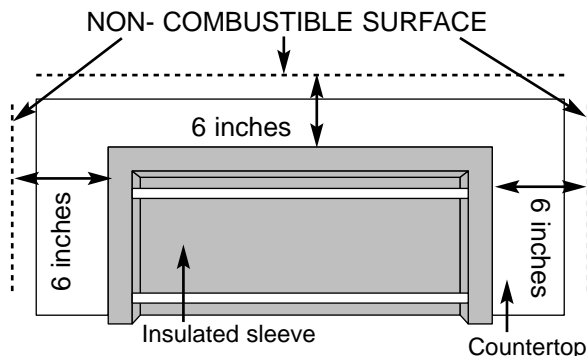


Figure 1

WARNING: All countertop finished surfaces must be constructed of a noncombustible material.

CLEARANCE FROM COMBUSTIBLE SURFACES OR STRUCTURES

Warning: Clearance from the outside walls of the sides and back of the insulated sleeve must be a minimum of 24 inches from a combustible surface. Measure from the outside wall of the insulated surface to the combustible surface. Figure 2. Refer to "Install Gas Supply" on page 2 before starting installation.

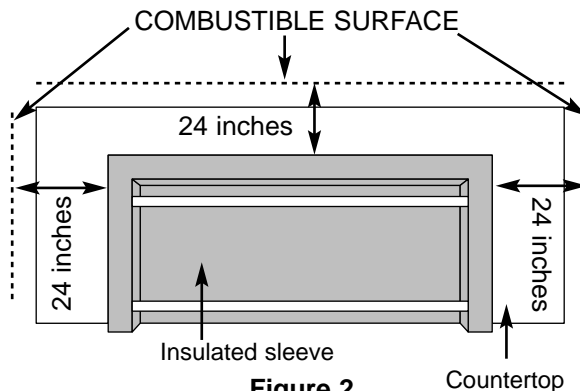


Figure 2

WARNING: All countertop finished surfaces must be constructed of a noncombustible material.

BUILT-IN STRUCTURE CUTOUT DIMENSIONS

All dimensions are to finished surfaces.

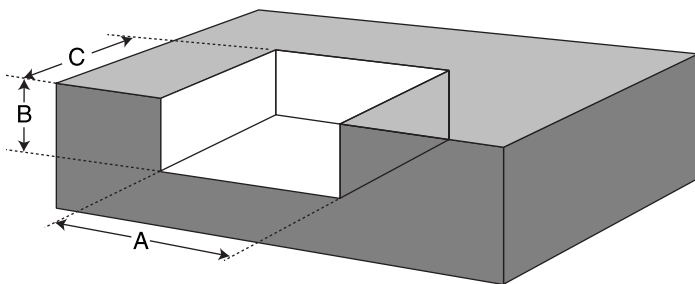


Figure 3

BUILT-IN CUTOUT DIMENSIONS

DIMENSIONS	Side Burner			Tolerances
	475	675		
A	31 $\frac{5}{8}$ "	43 $\frac{5}{8}$ "	10 $\frac{3}{4}$ "	+ $\frac{3}{16}$ " - 0
B	21 $\frac{1}{8}$ "	21 $\frac{1}{8}$ "	4 $\frac{1}{2}$ "	+ $\frac{3}{32}$ " - 0
C	25"	25"	24"	+ $\frac{3}{16}$ " - 0
WT	240	285	40	

Weight (expressed in pounds) represents the total weight of the insulated sleeve and the cooking unit and does not include the permanent structure housing the sleeve.

The sleeve must be supported from the bottom.

Recommended cutout dimensions "A through C" include a nominal clearance dimension to facilitate installation. Any additional clearance must be within tolerances shown or fit-up of sleeve and built-in structure may be adversely affected.

All dimensions are to finished surfaces.

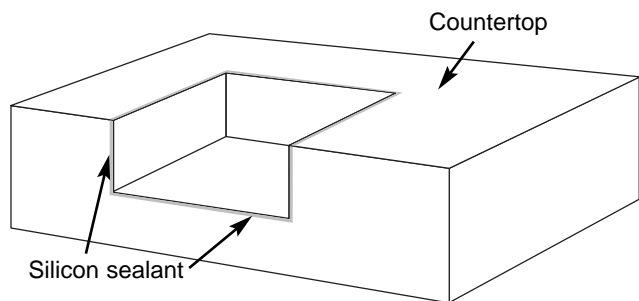


Figure 4

Before installing the sleeve, lay a bead of silicon sealant around the top perimeter and front sides of the structure in the areas that the flanges of the sleeve will rest. This will prevent moisture seepage. The sealant you use must have a temperature rating above 120°F. If necessary, caulk between the flange of the sleeve and finished countertop surface.

WARNING: All countertop finished surfaces must be constructed of a noncombustible material.

BUILT-IN STRUCTURE SLEEVE DIMENSIONS

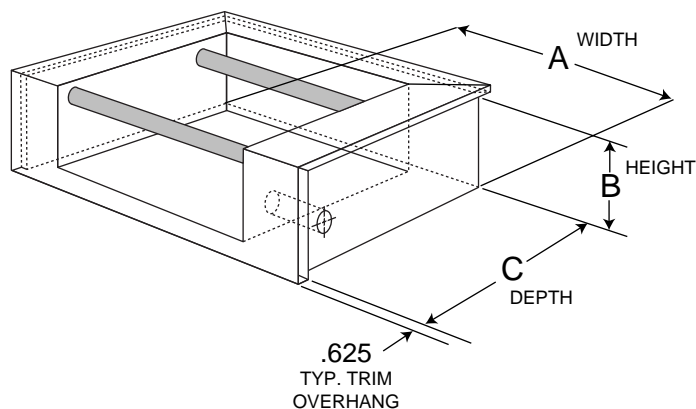


Figure 5

BUILT-IN INSULATED SLEEVE DIMENSIONS

DIMENSIONS	Tolerances		
	475	675	
A	31 $\frac{1}{2}$ "	43 $\frac{1}{2}$ "	+ $\frac{1}{4}$ " - 0
B	21 $\frac{1}{16}$ "	21 $\frac{1}{16}$ "	+ $\frac{3}{16}$ " - 0
C	24 $\frac{15}{16}$ "	24 $\frac{15}{16}$ "	+ $\frac{3}{16}$ " - 0
WT	240	285	

Weight (expressed in pounds) represents the total weight of the insulated sleeve and the cooking unit and does not include the permanent structure housing the sleeve.

Specified insulated sleeve dimensions "A through C" reflect the dimension to the mounting surface of the trim excluding the .625 trim overhang.

If the supporting structure is going to have an electrical outlet for a rotisserie, it should be on the left side of the structure.

WARNING: Air holes must be provided in the structure at the top and bottom to provide ventilation in the event of a gas leak.

Air holes can be located in a low visibility area and should be protected by screening material to prevent rodents and insects from entering the structure. Air holes will also help dry moisture.

BUILT-IN SLEEVE GAS LINE LOCATIONS

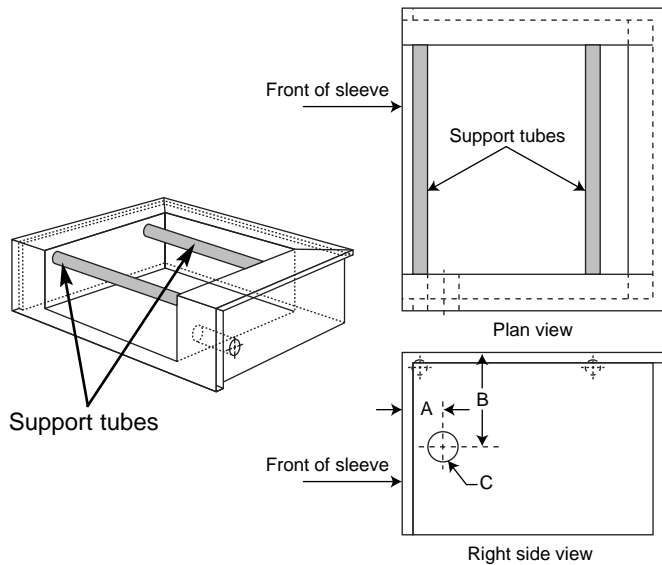


Figure 6

BUILT-IN SLEEVE GAS LINE LOCATIONS

	475	675	Tolerances	
DIMENSIONS	A	5.0"	5.0"	+ $\frac{1}{16}$ - $\frac{1}{16}$
	B	10.1"	10.1"	+ $\frac{1}{16}$ - $\frac{1}{16}$
	C	2.5"	2.5"	+ $\frac{1}{32}$ - $\frac{1}{32}$

The dimensions shown indicate the location of the gas line inlet flange in the insulated sleeve. The support members of the built-in structure must not impede passage of the gas lines.

Area should be kept clear of sharp, jagged, or extremely abrasive surfaces to avoid possible damage to gas supply lines. Exercise caution when pulling gas lines through built-in structure.

Note: Leave an access in the structure for gas supply and regulator service.

VENTILATION

Note: These drawings are only a reference.

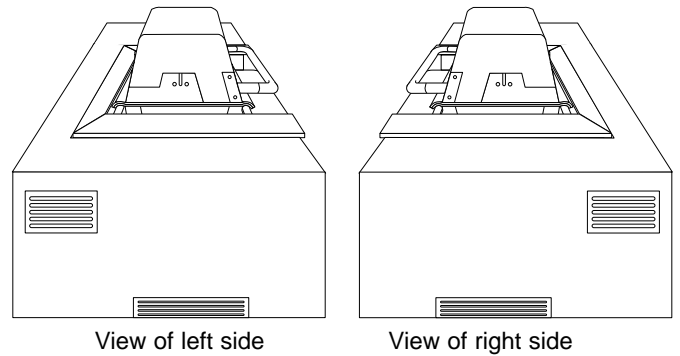


Figure 7

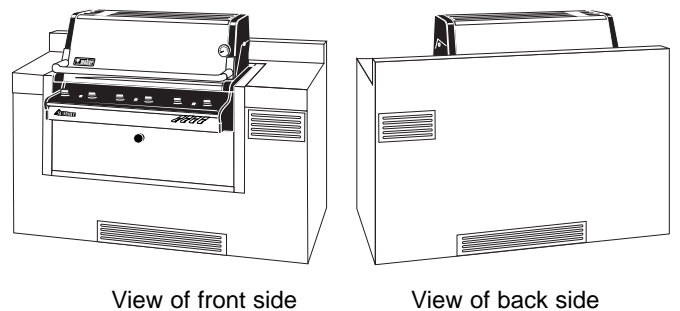


Figure 8

- Cross ventilation must be incorporated in the supporting structure. We recommend a minimum of 100 square inches of venting per side.
- Vents should be on two sides of the structure. Figures 5 and 6 are references only.
- Location of the vents should be from the center, outward.
- Locate the vents at both the bottom of the structure and at the top of the structure.
- The bottom vents should be as close to ground level as possible. Make sure the vent area is not blocked by interior supports of the structure.
- We recommend vents with screens.
- Access doors to the structure are not considered vents.
- Clean the vents periodically.

⚠DANGER: Failure to follow recommended minimum venting instructions can cause gas to collect in the structure in the event of a gas leak. This may result in a fire or an explosion which can cause serious bodily injury or death, and damage to property.

TYPICAL GAS SUPPLY INSTALLATION

WE RECOMMEND THAT THIS INSTALLATION BE DONE BY A LICENSED PROFESSIONAL.

General Specifications for Piping

Note - Contact your local municipality for building codes regulating outdoor gas barbecue installations. In absence of Local Codes, you must conform to the latest edition of ANSI Z223.1.

- This barbecue is designed to operate at 4.5 inches of water column pressure. Use only the regulator supplied with the cooking module.
- A manual shut-off valve must be installed outdoors, and be accessible, not in the "built-in" structure. An additional manual shut-off valve indoors should be installed in the branch fuel line in an accessible location near the supply line.

CAUTION: If young children are in the area, a locking valve should be considered.

- Pipe compound should be used which is resistant to the action of natural gas when gas connections are made.
- The gas connections must be firmly attached to rigid, permanent construction.

The information provided in this manual is general for typical installations. We cannot cover all possible installation ideas. We recommend prior to installation that you contact your municipality for local building codes and your local fire department for installation verification. You can also call Weber-Stephen Products Co. at 1-888-33SUMMIT (1-888-337-8664) and we will try and answer any questions you may have.

Gas line piping

- If the length of line required does not exceed 50 feet, use a 5/8" O.D. tube. One size larger should be used for lengths greater than 50 feet.
- Gas piping may be copper tubing, type K or L; polyethylene plastic tube, with a minimum wall thickness of .062 inch; or standard weight (schedule 40) steel or wrought iron pipe.
- Copper tubing must be tin-lined if the gas contains more than 0.3 grams of hydrogen sulfide per 100 cubic feet of gas.
- Plastic tubing is suitable only for outdoor, underground use.
- Gas piping in contact with earth, or any other material which may corrode the piping, must be protected against corrosion in an approved manner.
- Underground piping must have a minimum of 18" cover.

Test connections

All connections and joints must be thoroughly tested for leaks in accordance with local codes and all listed procedures in the latest edition of ANSI Z223.1.

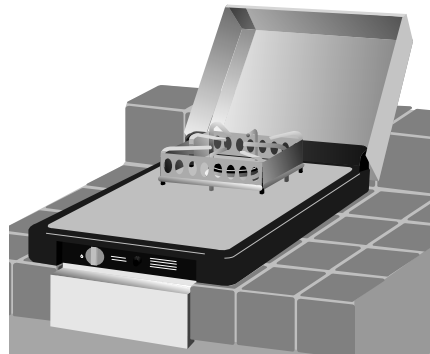
DANGER

Do not use an open flame to check for gas leaks. Be sure there are no sparks or open flames in the area while you check for gas leaks. This will result in a fire or explosion which can cause serious bodily injury or death, and damage to property.

If you have any questions, contact the Weber-Stephen Customer Service Center at 1-888-33-SUMMIT (1-888-337-8664).



GENERAL INFORMATION BUILT-IN SIDE BURNER For Summit Natural Gas Cooking Modules



THIS ACCESSORY MAY BE PURCHASED SEPERATELY.

THIS GAS APPLIANCE IS DESIGNED FOR OUTDOOR USE ONLY.

BUILT-IN CONSTRUCTION GENERAL INFORMATION

WARNING
A Weber-Stephen Products Co. insulated sleeve must be used for any built-in installation.

LOCATING YOUR SIDE BURNER

When determining a suitable location for your side burner installation, give attention to concerns such as exposure to wind, proximity to traffic paths, and keeping any gas supply lines as short as possible. Never locate the Weber Gas Side Burner in a garage, breezeway, shed, under an unprotected overhang, or other enclosed area. Locate the side burner and structure so there is enough room to safely evacuate the area in case of a fire.

CLEARANCE FROM NON-COMBUSTIBLE SURFACES OR STRUCTURES

Warning: Clearance from the outside walls of the sides and back of the sleeve must be a minimum of 6 inches from a non-combustible surface. Measure from the outside wall of the sleeve to the non-combustible surface. Figure 1. Refer to "Install Gas Supply" on page 2 before starting installation.

CLEARANCE FROM COMBUSTIBLE SURFACES OR STRUCTURES

Warning: Clearance from the outside walls of the sides and back of the sleeve must be a minimum of 24 inches from a combustible surface. Measure from the outside wall of the sleeve to the combustible surface. Figure 2. Refer to "Install Gas Supply" on page 2 before starting installation.

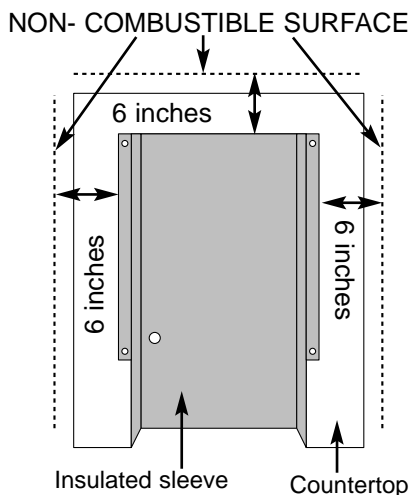


Figure 1

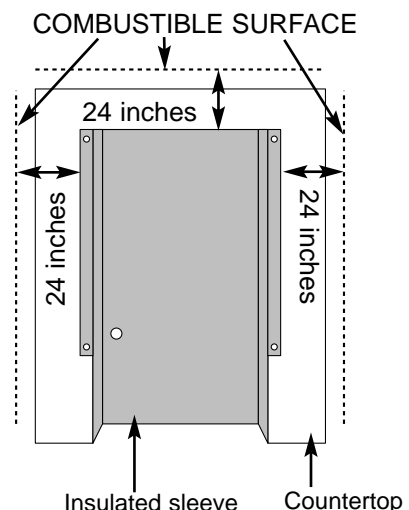


Figure 2

WARNING: All countertop finished surfaces must be constructed of a noncombustible material.

5 WARNING: All countertop finished surfaces must be constructed of a noncombustible material.

BUILT-IN STRUCTURE CUTOUT DIMENSIONS

All dimensions are to finished surfaces.

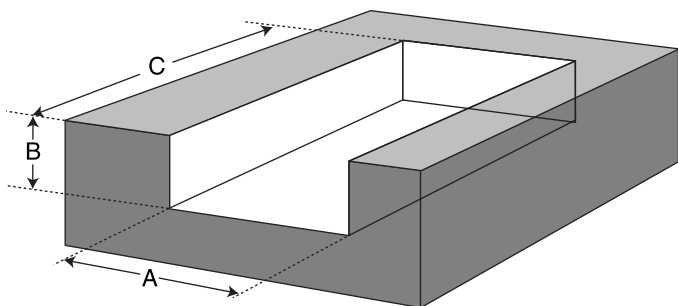


Figure 3

BUILT-IN CUTOUT DIMENSIONS

Side Burner Tolerances			
DIMENSIONS	A	10 $\frac{3}{4}$ "	+ $\frac{3}{16}$ " - 0
	B	4 $\frac{1}{2}$ "	+ $\frac{3}{32}$ " - 0
	C	24"	+ $\frac{3}{16}$ " - 0
	WT	40	

Weight (expressed in pounds) represents the total weight of the sleeve and the cooking unit and does not include the permanent structure housing the sleeve.

The sleeve must be supported from the bottom.

Recommended cutout dimensions "A through C" include a nominal clearance dimension to facilitate installation. Any additional clearance must be within tolerances shown or fit-up of sleeve and built-in structure may be adversely affected.

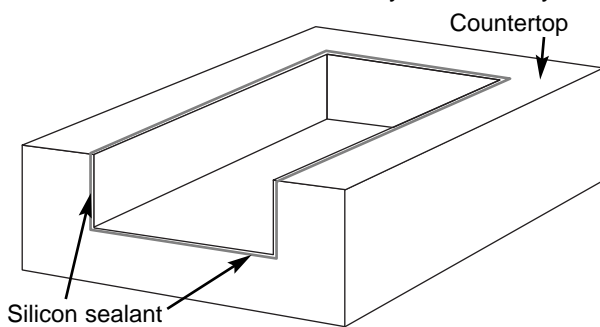


Figure 4

Before installing the sleeve, lay a bead of silicon sealant around the top perimeter and front sides of the structure in the areas that the flanges of the sleeve will rest. This will prevent moisture seepage. The sealant you use must have a temperature rating above 120°F. If necessary, caulk between the flange of the sleeve and finished countertop surface.

WARNING: All countertop finished surfaces must be constructed of a noncombustible material.

BUILT-IN STRUCTURE SLEEVE DIMENSIONS

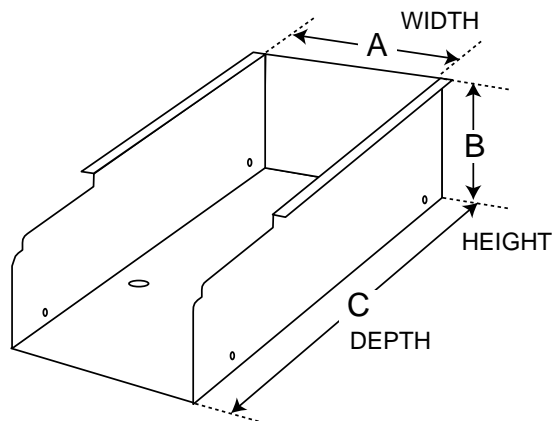


Figure 5

BUILT-IN INSULATED SLEEVE DIMENSIONS

Side burner Tolerances			
DIMENSIONS	A	10 $\frac{19}{32}$ "	+ $\frac{1}{4}$ " - 0
	B	4 $\frac{9}{64}$ "	+ $\frac{1}{8}$ " - 0
	C	23 $\frac{25}{32}$ "	+ $\frac{1}{4}$ " - 0
	WT	40	

Weight (expressed in pounds) represents the total weight of the sleeve and the cooking unit and does not include the permanent structure housing the sleeve.

Specified sleeve dimensions "A through C" reflect the dimension to the mounting surface of the trim excluding the overhang.

WARNING: Air holes must be provided in the structure at the top and bottom to provide ventilation in the event of a gas leak.

Air holes can be located in a low visibility area and should be protected by screening material to prevent rodents and insects from entering the structure. Air holes will also help dry moisture.

If you are going to use a rotisserie with the cooking module, make sure you space the side burner far enough away to facilitate its use.

BUILT-IN CONSTRUCTION GENERAL INFORMATION

WARNING

A Weber-Stephen Products Co. factory installed sleeve must be used for any built-in installation.

LOCATING YOUR SIDE BURNER

When determining a suitable location for your side burner installation, give attention to concerns such as exposure to wind, proximity to traffic paths, and keeping any gas supply lines as short as possible. Never locate the Weber Gas Side Burner in a garage, breezeway, shed, under an unprotected overhang, or other enclosed area. Locate the side burner and structure so there is enough room to safely evacuate the area in case of a fire.

CLEARANCE FROM NON-COMBUSTIBLE SURFACES OR STRUCTURES

Warning: Clearance from the outside walls of the sides and back of the sleeve must be a minimum of 6 inches from a non-combustible surface. Measure from the outside wall of the sleeve to the non-combustible surface. Figure 1. Refer to "Install Gas Supply" on page 2 before starting installation.

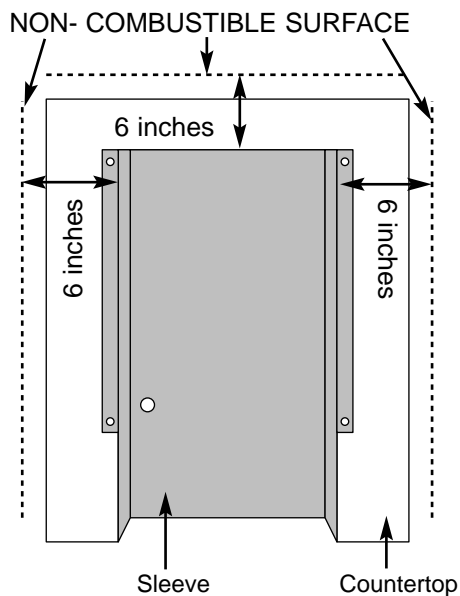


Figure 1

WARNING: All countertop finished surfaces must be constructed of a noncombustible material.

CLEARANCE FROM COMBUSTIBLE SURFACES OR STRUCTURES

Warning: Clearance from the outside walls of the sides and back of the sleeve must be a minimum of 24 inches from a combustible surface. Measure from the outside wall of the sleeve to the combustible surface. Figure 2. Refer to "Install Gas Supply" on page 2 before starting installation.

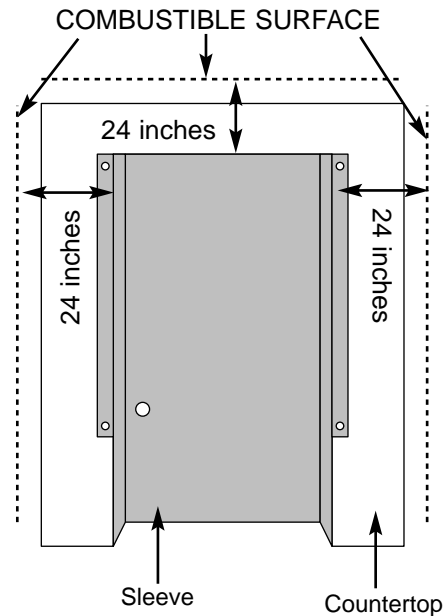


Figure 2

WARNING: All countertop finished surfaces must be constructed of a noncombustible material.

BUILT-IN SLEEVE GAS LINE LOCATIONS

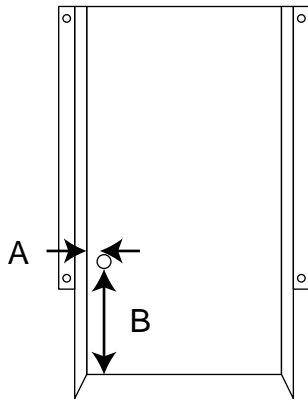


Figure 6

BUILT-IN SLEEVE GAS LINE LOCATIONS

Side Burner Tolerances		
DIMENSIONS	A	$1\frac{19}{32}''$ $+ \frac{1}{16}$ $- \frac{1}{16}$
	B	8" $+ \frac{1}{16}$ $- \frac{1}{16}$

The dimensions shown indicate the location of the gas line inlet flange in the sleeve. The support members of the built-in structure must not impede passage of the gas lines.

Area should be kept clear of sharp, jagged, or extremely abrasive surfaces to avoid possible damage to gas supply lines. Exercise caution when pulling gas lines through built-in structure.

Note: Leave an access in the structure for gas supply and regulator service.

TYPICAL GAS SUPPLY INSTALLATION

WE RECOMMEND THAT THIS INSTALLATION BE DONE BY A LICENSED PROFESSIONAL.

General Specifications for Piping

Note - Contact your local municipality for building codes regulating outdoor gas barbecue installations. In absence of Local Codes, you must conform to the latest edition of ANSI Z223.1.

- This barbecue is designed to operate at 4.5 inches of water column pressure. Use only the regulator supplied with the cooking module.

- A manual shut-off valve must be installed outdoors, and be accessible, not in the "built-in" structure. An additional manual shut-off valve indoors should be installed in the branch fuel line in an accessible location near the supply line.

CAUTION: If young children are in the area, a locking valve should be considered.

- Pipe compound should be used which is resistant to the action of natural gas when gas connections are made.
- The gas connections must be firmly attached to rigid, permanent construction.

The information provided in this manual is general for typical installations. We cannot cover all possible installation ideas. We recommend prior to installation that you contact your municipality for local building codes and your local fire department for installation verification. You can also call Weber-Stephen Products Co. at 1-888-33SUMMIT (1-888-337-8664) and we will try and answer any questions you may have.

Gas line piping

- If the length of line required does not exceed 50 feet, use a 5/8" O.D. tube. One size larger should be used for lengths greater than 50 feet.
- Gas piping may be copper tubing, type K or L; polyethylene plastic tube, with a minimum wall thickness of .062 inch; or standard weight (schedule 40) steel or wrought iron pipe.
- Copper tubing must be tin-lined if the gas contains more than 0.3 grams of hydrogen sulfide per 100 cubic feet of gas.
- Plastic tubing is suitable only for outdoor, underground use.
- Gas piping in contact with earth, or any other material which may corrode the piping, must be protected against corrosion in an approved manner.
- Underground piping must have a minimum of 18" cover.

Test connections

All connections and joints must be thoroughly tested for leaks in accordance with local codes and all listed procedures in the latest edition of ANSI Z223.1.

DANGER

Do not use an open flame to check for gas leaks. Be sure there are no sparks or open flames in the area while you check for gas leaks. This will result in a fire or explosion which can cause serious bodily injury or death, and damage to property.

If you have any questions, contact the Weber-Stephen Customer Service Center at 1-888-33-SUMMIT (1-888-337-8664).

Free Manuals Download Website

<http://myh66.com>

<http://usermanuals.us>

<http://www.somanuals.com>

<http://www.4manuals.cc>

<http://www.manual-lib.com>

<http://www.404manual.com>

<http://www.luxmanual.com>

<http://aubethermostatmanual.com>

Golf course search by state

<http://golfingnear.com>

Email search by domain

<http://emailbydomain.com>

Auto manuals search

<http://auto.somanuals.com>

TV manuals search

<http://tv.somanuals.com>