



LP Gas Grill Owner's Guide

Guía del propietario del asador de gas licuado de propano - Pg 25

Guide de l'utilisateur du grill à gaz PL - Pg 40

Assembly, Ensamblaje, Assemblage - Pg 7

PLACE STICKER HERE

#77576

Register your grill online at www.weber.com

YOU MUST READ THIS OWNER'S GUIDE BEFORE OPERATING YOUR GAS GRILL

⚠ DANGER

If you smell gas:

1. Shut off gas to the appliance.
2. Extinguish any open flames.
3. Open lid.
4. If odor continues, keep away from the appliance and immediately call your gas supplier or your fire department.

Leaking gas may cause a fire or explosion which can cause serious bodily injury or death, or damage to property.

⚠ WARNING:

1. Do not store or use gasoline or other flammable liquids or vapors in the vicinity of this or any other appliance.
2. An LP cylinder not connected for use shall not be stored in the vicinity of this or any other appliance.

⚠ **WARNING:** Follow all leak-check procedures carefully in this manual prior to barbecue operation. Do this even if the barbecue was dealer-assembled.

NOTICE TO INSTALLER: These instructions must be left with the owner and the owner should keep them for future use.

THIS GAS APPLIANCE IS DESIGNED FOR OUTDOOR USE ONLY.

⚠ **WARNING:** Do not try to light this appliance without reading the "Lighting Instructions" section of this manual.



77576 US 05/03/07 LP
US ENGLISH

2

Dangers and Warnings

⚠ DANGER

Failure to follow the Dangers, Warnings and Cautions contained in this Owner's Manual may result in serious bodily injury or death, or in a fire or an explosion causing damage to property.

⚠ WARNINGS

- ⚠ Do not store a spare or disconnected liquid propane cylinder under or near this barbecue.
- ⚠ Improper assembly may be dangerous. Please follow the assembly instructions carefully.
- ⚠ After a period of storage, and/or nonuse, the Weber® gas barbecue should be checked for gas leaks and burner obstructions before use. See instructions in this manual for correct procedures.
- ⚠ Do not operate the Weber® gas barbecue if there is a gas leak present.
- ⚠ Do not use a flame to check for gas leaks.
- ⚠ Combustible materials should never be within 24 inches (61 cm) of the back or sides of your Weber® gas barbecue.
- ⚠ Do not put a barbecue cover or anything flammable on, or in the storage area under the barbecue.
- ⚠ Your Weber® gas barbecue should never be used by children. Accessible parts of the barbecue may be very hot. Keep young children away while it is in use.
- ⚠ You should exercise reasonable care when operating your Weber® gas barbecue. It will be hot during cooking or cleaning and should never be left unattended, or moved while in operation.
- ⚠ Should the burners go out while in operation, turn all gas valves off. Open the lid and wait five minutes before attempting to relight, using the lighting instructions.
- ⚠ Do not use charcoal or lava rock in your Weber® gas barbecue.
- ⚠ Never lean over open grill or place hands or fingers on the front edge of the cooking box.
- ⚠ Should a grease fire occur, turn off all burners and leave lid closed until fire is out.
- ⚠ Do not enlarge valve orifices or burner ports when cleaning the valves or burners.
- ⚠ The Weber® gas barbecue should be thoroughly cleaned on a regular basis.
- ⚠ Liquid propane gas is not natural gas. The conversion or attempted use of natural gas in a liquid propane unit or liquid propane gas in a natural gas unit is dangerous and will void your warranty.
- ⚠ Do not attempt to disconnect any gas fitting while your barbecue is in operation.
- ⚠ Use heat-resistant barbecue mitts or gloves when operating barbecue.
- ⚠ Keep any electrical supply cord and the fuel supply hose away from any heated surfaces.
- ⚠ Combustion byproducts produced when using this product contain chemicals known to the state of California to cause cancer, birth defects, or other reproductive harm.
- ⚠ Do not use this barbecue unless all parts are in place. The unit must be properly assembled according to the assembly instructions.

LIQUID PROPANE GAS UNITS ONLY:

- ⚠ Use the pressure regulator and hose assembly that is supplied with your Weber® gas barbecue.
- ⚠ Do not attempt to disconnect the gas regulator and hose assembly or any gas fitting while your barbecue is in operation.
- ⚠ A dented or rusty liquid propane cylinder may be hazardous and should be checked by your liquid propane supplier. Do not use a liquid propane cylinder with a damaged valve.
- ⚠ Although your liquid propane cylinder may appear to be empty, gas may still be present, and the cylinder should be transported and stored accordingly.
- ⚠ If you see, smell or hear the hiss of escaping gas from the liquid propane cylinder:
 1. Move away from liquid propane cylinder.
 2. Do not attempt to correct the problem yourself.
 3. Call your fire department.

In order to validate your warranty please register your grill online at www.weber.com

Weber-Stephen Products Co. (Weber®) hereby warrants to the ORIGINAL PURCHASER of this Weber® gas grill that it will be free of defects in material and workmanship from the date of purchase as follows:
when assembled and operated in accordance with the printed instructions accompanying it.

Weber may require reasonable proof of your date of purchase. THEREFORE, YOU SHOULD RETAIN YOUR SALES SLIP OR INVOICE.

Aluminium Castings,	5 years
Thermoplastic/Thermoset Parts,	5 years Excluding fading
All Remaining Parts,	2 years when assembled and operated in accordance with the printed instructions that accompany it.

This Limited Warranty shall be limited to the repair or replacement of parts that prove defective under normal use and service and which on examination shall indicate, to Weber®'s satisfaction, they are defective. Before returning any parts, contact the Customer service representative in your region using the contact information sheet provided with your manual. If Weber® confirms the defect and approves the claim, Weber® will elect to replace such parts without charge. If you are required to return defective parts, transportation charges must be prepaid. Weber® will return parts to the purchaser, freight or postage prepaid.

This Limited Warranty does not cover any failures or operating difficulties due to accident, abuse, misuse, alteration, misapplication, vandalism, improper installation or improper maintenance or service, or failure to perform normal and routine maintenance, including but not limited to damage caused by insects within the burner tubes, as set out in this owner's manual.

Deterioration or damage due to severe weather conditions such as hail, hurricanes, earthquakes or tornadoes, discoloration due to exposure to chemicals either directly or in the atmosphere, is not covered by this Limited Warranty.

There are no other express warrants except as set forth herein and any applicable implied warranties of merchantability and fitness are limited in duration to the period of coverage of this express written Limited Warranty. Some regions do not allow limitation on how long an implied warranty lasts, so this limitation may not apply to you.

Weber® is not liable for any special, indirect or consequential damages. Some regions do not allow the exclusion or limitation of incidental or consequential damages, so this limitation or exclusion may not apply to you.

Weber® does not authorize any person or company to assume for it any other obligation or liability in connection with the sale, installation, use, removal, return, or replacement of its equipment; and no such representations are binding on Weber®.

This Warranty applies only to products sold at retail.

WEBER-STEPHEN PRODUCTS CO.
Customer Service Center
1890 Roselle Road, Suite 308
Schaumburg, IL 60195
USA

For replacement parts call:

1-800-446-1071

www.weber.com

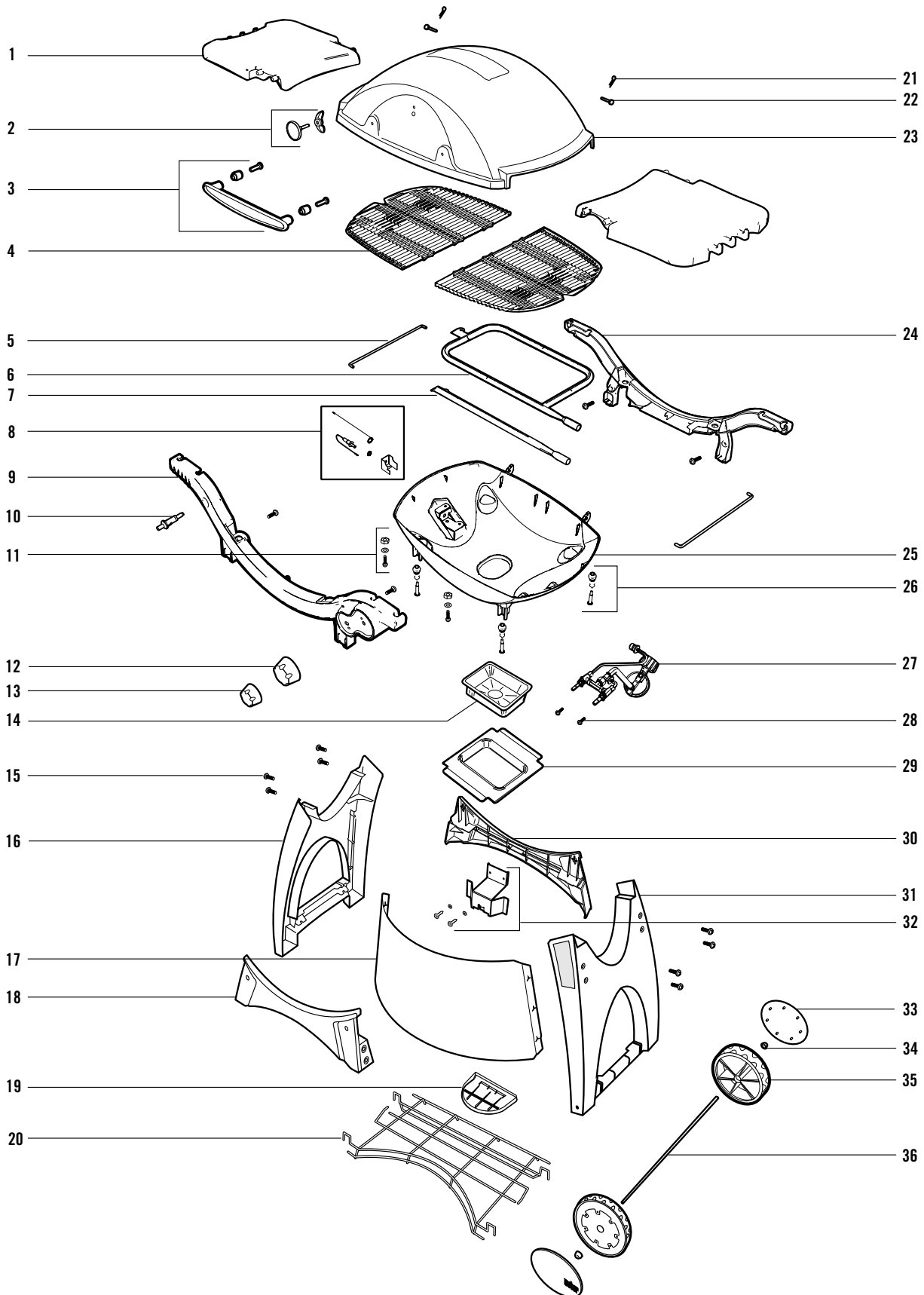
⚠ ATTENTION: This product has been safety tested and is only certified for use in a specific country. Refer to country designation located on outer carton.

These parts may be gas carrying or gas burning components. Please contact Weber-Stephen Products Co., Customer Service Department for genuine Weber-Stephen Products Co. replacement part(s) information.

⚠ WARNING: Do not attempt to make any repair to gas carrying or gas burning components without contacting Weber-Stephen Products Co., Customer Service Department. Your actions, if you fail to follow this product Warning, may cause a fire or an explosion resulting in serious personal injury or death and damage to property.

FOR PURCHASES MADE IN THE US: Customer Service: 1-800-446-1071
PARA COMPRAS HECHAS EN E.U.: Atención al cliente: 1-800-446-1071

Exploded View Diagrama de despiece Vision éclatée



Exploded View List

Lista del diagrama de despiece

Liste de la vision éclatée

5

- 1. Swing-Up Work Surface**
Superficie de trabajo basculante
Surface de travail rabattable
- 2. Thermometer Assembly**
Ensamble del termómetro
Ensemble du thermomètre
- 3. Handle Assembly**
Ensamble del asa
Ensemble de la poignée
- 4. Cooking Grate**
Rejilla de cocción
Grille de cuisson
- 5. Wire Brace**
Atadura para el alambre
Renfort en fil de fer
- 6. Outside Burner Tube**
Tubo quemador externo
Tube du brûleur externe
- 7. Inside Burner Tube**
Tubo quemador interno
Tube du brûleur interne
- 8. Electrode Assembly**
Ensamble del electrodo
Ensemble de l'électrode
- 9. Front Cradle**
Jaula delantera
Berceau avant
- 10. Igniter**
Encendedor
Allumeur
- 11. Burner Tube Hardware**
Accesorios del tubo quemador
Matériel du tube du brûleur
- 12. Large Control Knob**
Perilla de control grande
Grand bouton de commande
- 13. Small Control Knob**
Perilla de control pequeña
Petit bouton de commande
- 14. Disposable Drip Pan**
Bandeja de goteo desechable
Egouttoir jetable
- 15. ¼ x 20 x 1" Truss Head Screw**
¼ x 20 x 1" Tornillo de cabeza segmentada
Vis à tête bombée large de ¼ x 20 x 1"
- 16. Left Leg**
Pata izquierda
Pied gauche
- 17. Tank Skirt**
Falda del tanque
Jupe du réservoir
- 18. Front Bridge Piece**
Pieza del puente delantero
Pièce du pont avant
- 19. Tank Base**
Base del tanque
Base du réservoir
- 20. Bottom Rack**
Gradilla inferior
Grille inférieure
- 21. Hair Pin Cotter**
Clavija hendida
Anneau de retenue
- 22. Hinge Pin**
Pasador de bisagra
Axe de charnière
- 23. Lid**
Tapa
Couvercle
- 24. Rear Cradle**
Jaula trasera
Berceau arrière
- 25. Fire box**
Caja de fuego
Boîtier de feu
- 26. Fire Box Mounting Hardware**
Accesorios de montaje para la caja de fuego
Matériel de montage du boîtier de feu
- 27. Valve & Manifold - Regulator Assembly**
Válvula y múltiple - Ensamble del regulador
Ensemble valve & collecteur - régulateur
- 28. Manifold-Hardware**
Accesorios del múltiple
Collecteur - matériel
- 29. Catch Pan**
Plato recolector
Egouttoir
- 30. Rear Bridge Piece**
Pieza del puente trasero
Pièce du pont arrière
- 31. Right Leg**
Pata derecha
Pied droit
- 32. Tank Bracket Assembly**
Ensamblaje del soporte del tanque
Ensemble du support du réservoir
- 33. Wheel Cover**
Cubierta de la rueda
Enjoliveur
- 34. Hubcap**
Tapa del cubo
Cache-moyeu
- 35. Wheel**
Rueda
Roue
- 36. Axle**
Eje
Axe

6

Parts List Lista de Piezas Liste des pièces

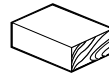
TOOLS NEEDED:



HERRAMIENTAS REQUERIDAS:



OUTILS NECESSAIRES:



WOOD BLOCK
WOOD BLOCK
BLOC DE BOIS

2

K50 X 19MM
PHILLIPS SCREW (BLACK)
50 X 19MM
TORNILLO PHILLIPS (NEGRO)
50 X 19MM
VIS PHILLIPS (NOIRE)



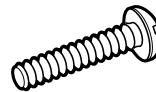
12

1/4 - 20 X 1"
TRUSS HEAD SCREW
1/4 - 20 X 3/4"
TORNILLO DE CABEZA
SEGMENTADA (NEGRO)
1/4 - 20 X 3/4"
VIS DE TETE DE SUP-
PORT (NOIRE)

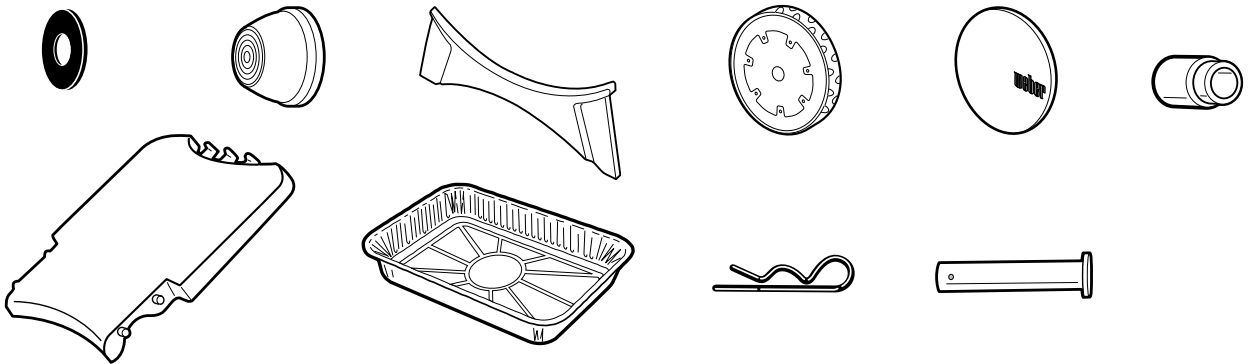


2

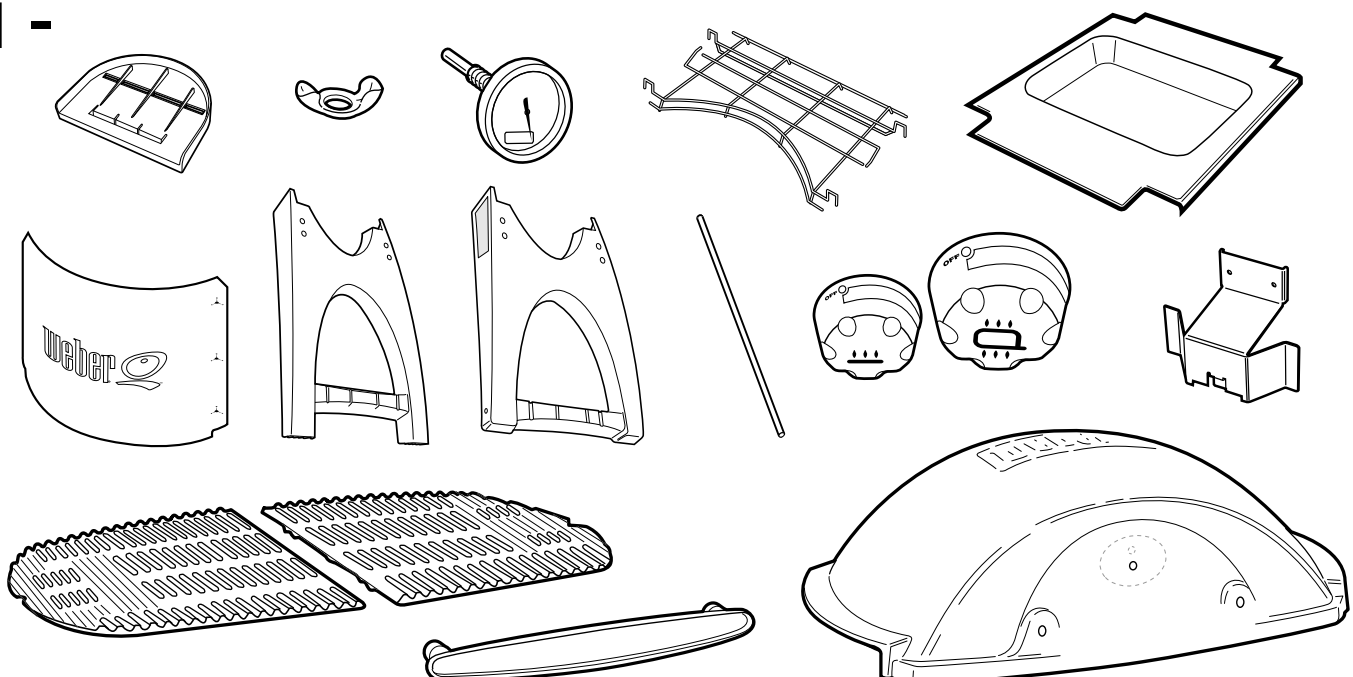
1/4 - 20 X 1 1/2"
STAINLESS STEEL PAN HEAD
PHILLIPS SCREW
TORNILLO PHILLIPS DE CABEZA
ARMADA DE ACERO INOXIDABLE
1/4 - 20 X 1 1/2 PULGADAS
VIS PHILLIPS À TÊTE CYLINDRIQUE
LARGE EN ACIER INOXYDABLE DE 0,6
À 50 X 2,5 CM (1/4 - 20 X 1 PO)



2 -



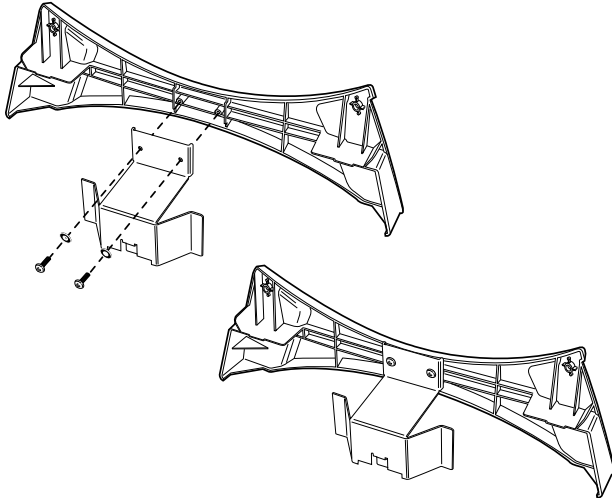
1 -



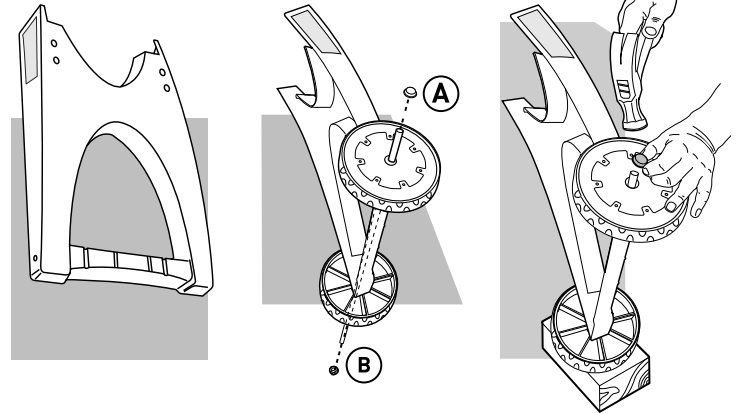
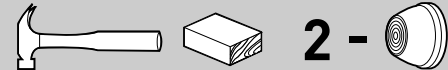
Assembly Ensamblaje Assemblage

7

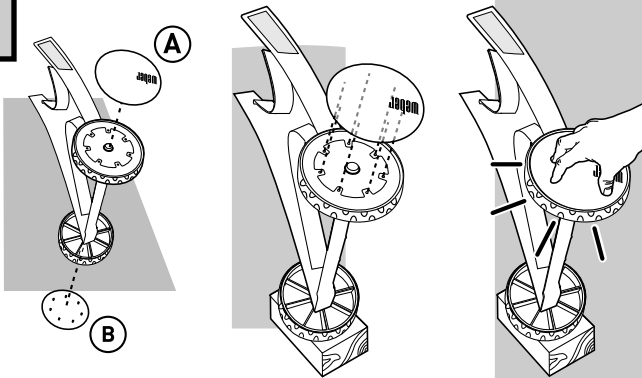
1



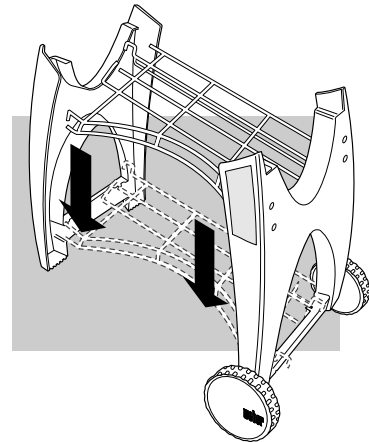
2



3



4

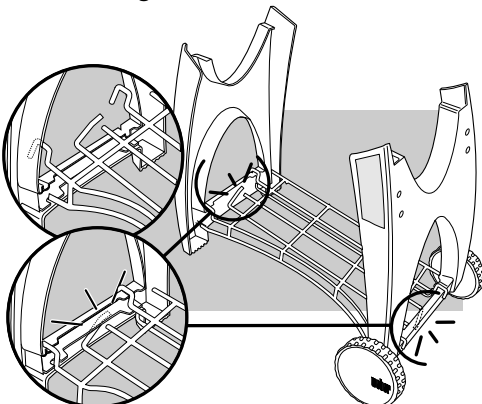


5

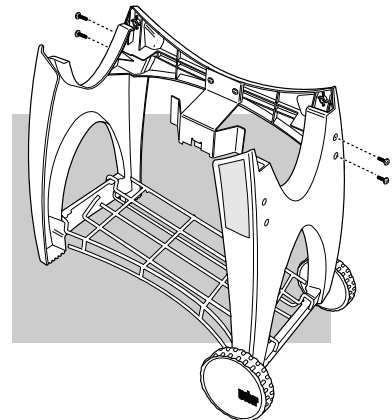
⚠ Wheel frame goes on the right. Lighting instruction sticker faces forward.

⚠ El bastidor de la rueda va a la derecha. La etiqueta de instrucciones de encendido ve hacia adelante.

⚠ Le cadre des roues se place à droite. L'autocollant pour les instructions d'allumage est orienté vers l'avant.



6



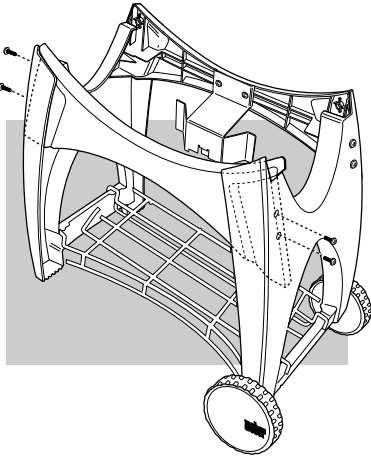
8

Assembly Ensamblaje Assemblage

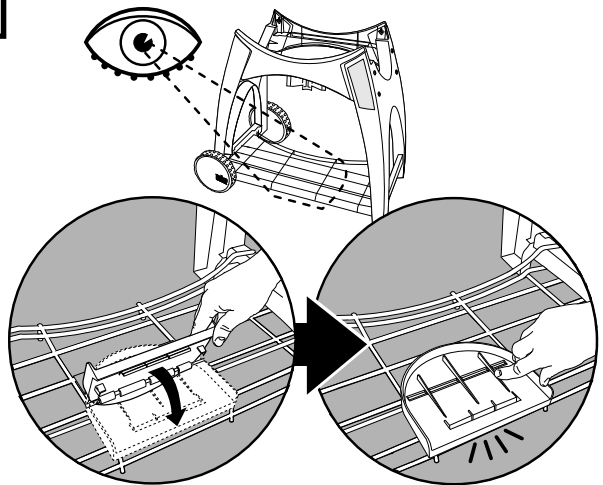
7



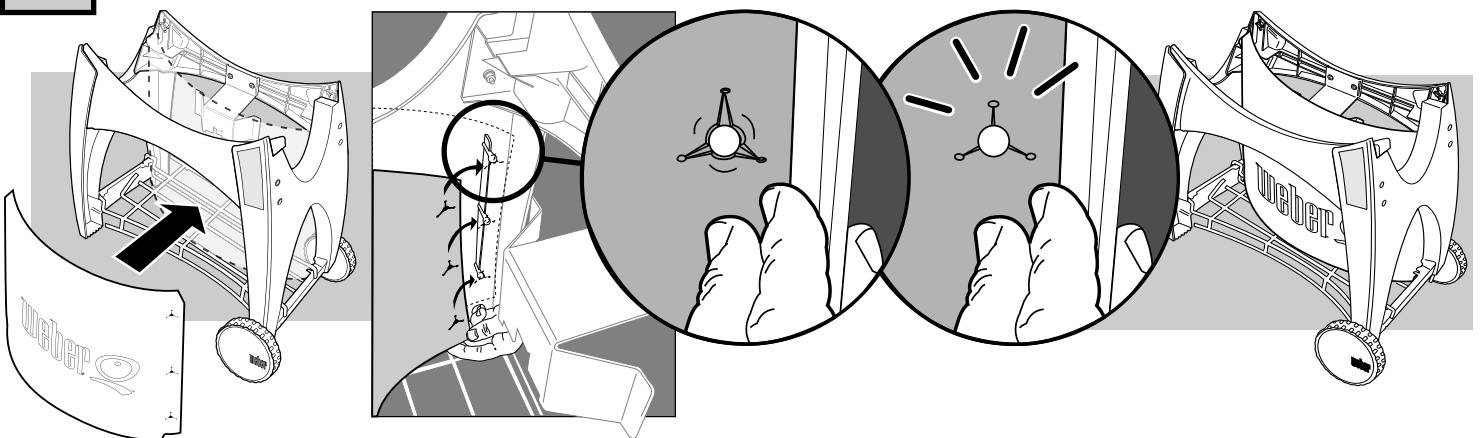
4 -



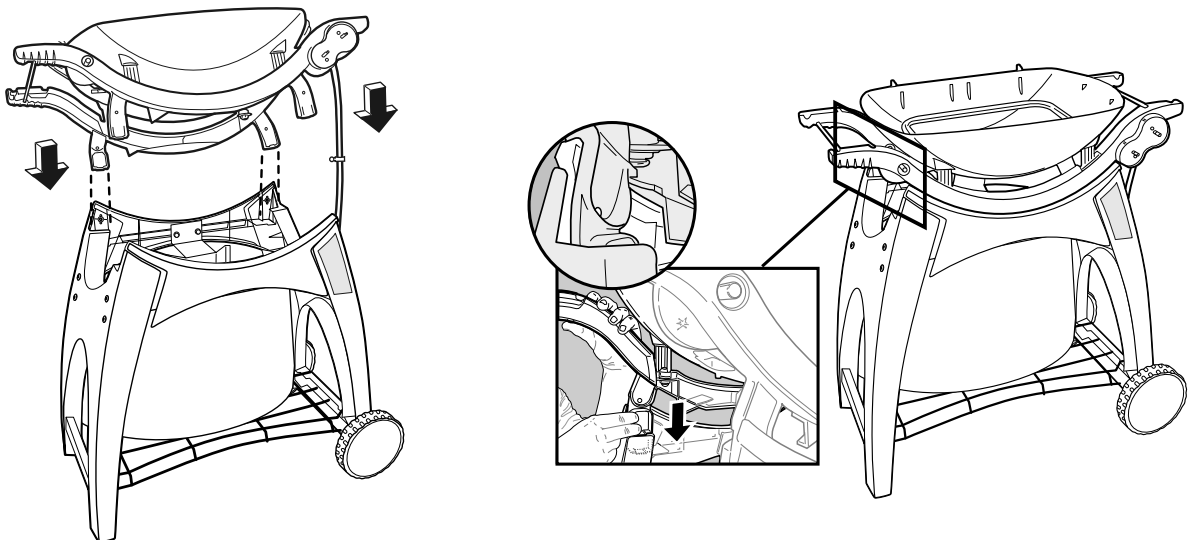
8



9



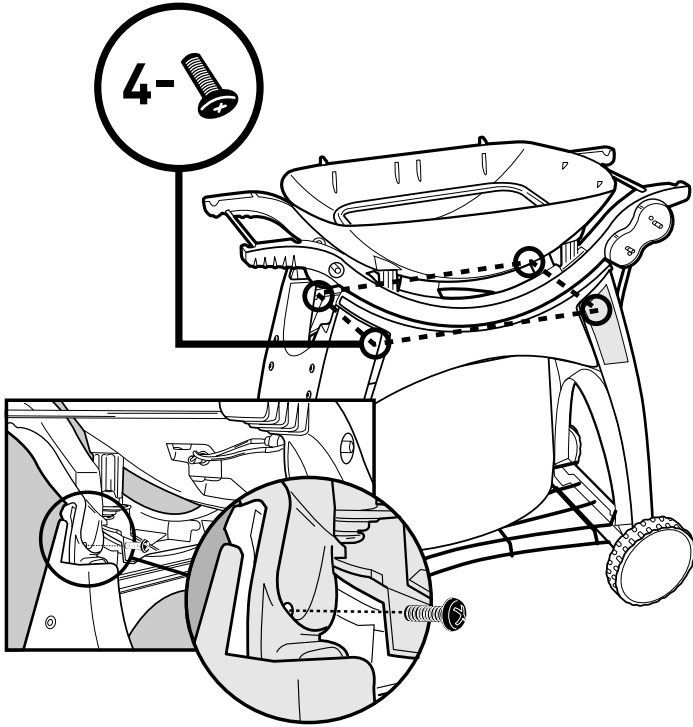
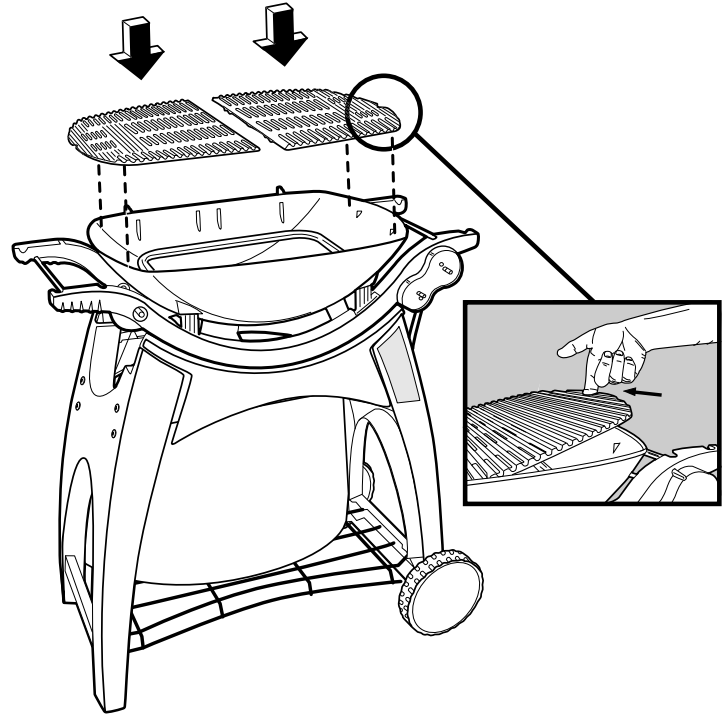
10



11



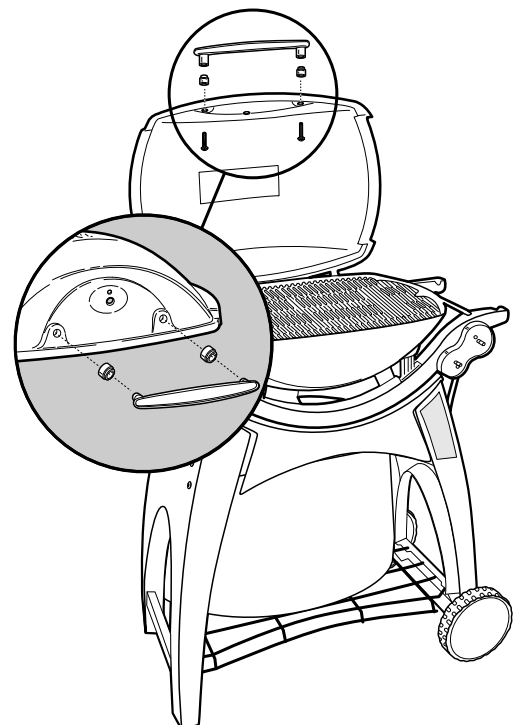
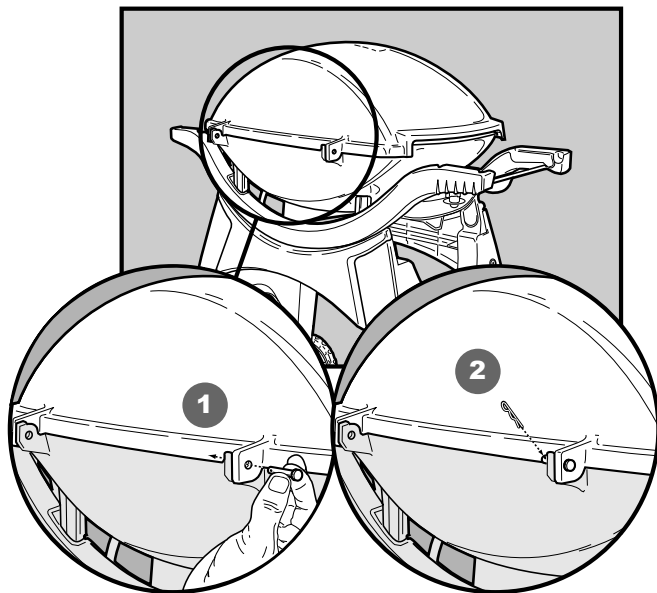
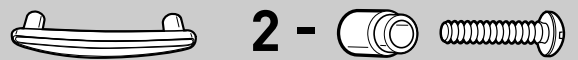
12



13



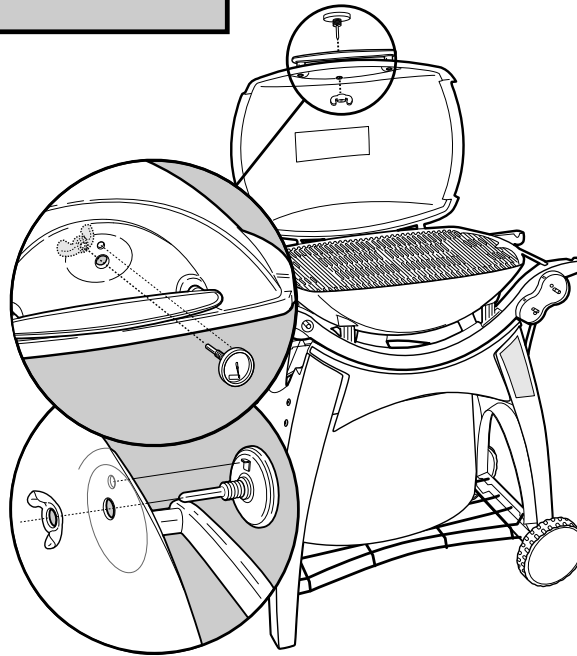
14



10

Assembly Ensamblaje Assemblage

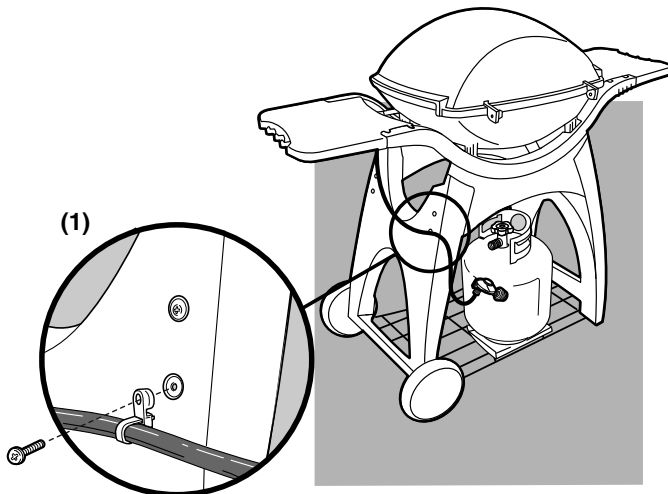
15



16

- 1) Uncoil the hose and regulator of the Weber® Q™ 300.
- 2) Remove leg screw and secure hose and retention clip(1) to cart leg.

⚠ WARNING: The hose must be secured to the cart leg by the hose retention clip. Failure to do so could cause damage to hose resulting in a fire or explosion, which can cause serious bodily injury or death and damage to property.



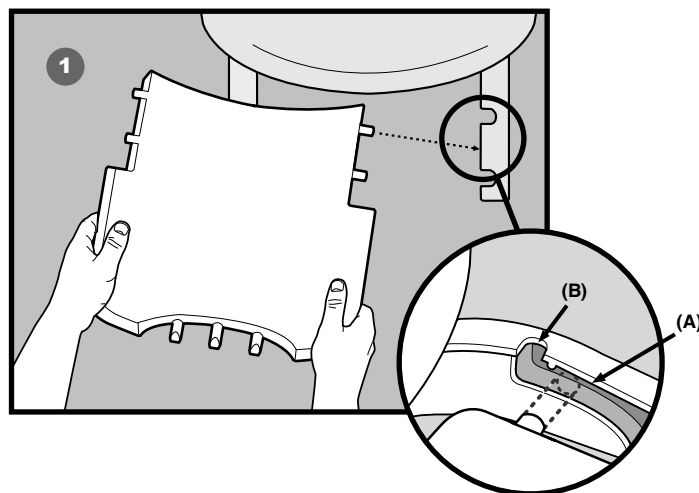
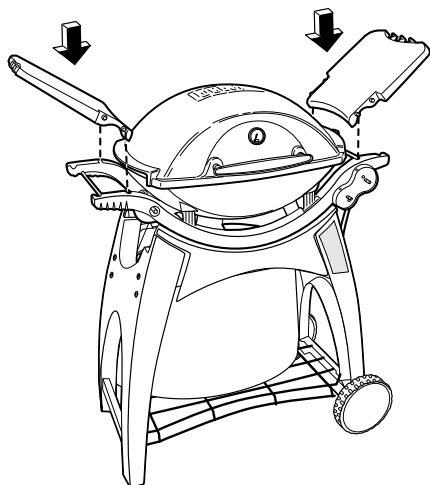
- 1) Desenrolle la manguera y el regulador del asador Weber® Q™ 300.
- 2) Retire el tornillo de la pata y asegure la manguera y el clip de retención(1) a la pata del carro.

⚠ NOTA IMPORTANTE: La manguera debe sujetarse a la pata del carro usando el clip de retención. El no hacerlo pudiera causar un fuego o explosión, resultando en lesiones corporales o la muerte y en daños a la propiedad.

- 1) Déroulez le tuyau et le régulateur du Weber® Q™ 300.
- 2) Retirez la vis du pied et fixez le tuyau et la pince(1) de rétention au pied du chariot.

⚠ MISE EN GARDE : Le tuyau doit être fixé solidement au pied du chariot par la pince de rétention du tuyau. Le non respect de cette consigne risque de provoquer une détérioration du tuyau entraînant un incendie ou une explosion, susceptible de provoquer une blessure physique grave voire un décès ainsi que des dégâts matériels.

17

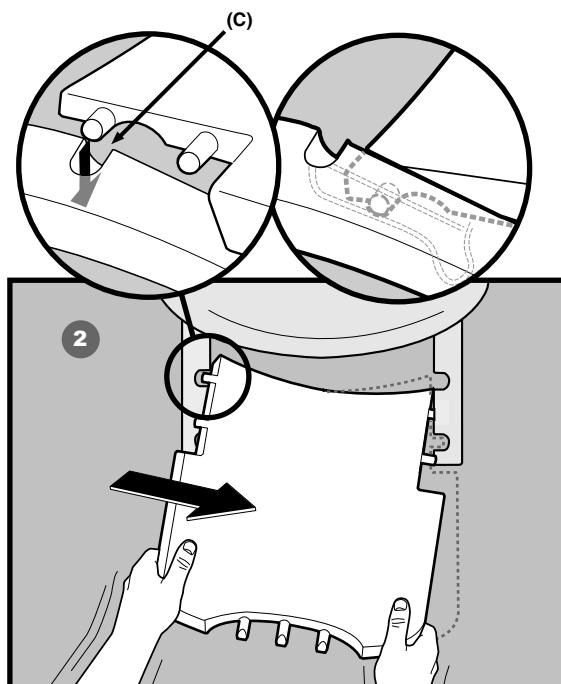


⚠ CAUTION: READ THIS STEP CAREFULLY BEFORE INSTALLING TABLES.

- 1) Place top right post of side table into right side cradle slot(A) **approximately one inch behind** cradle slot opening(B).
- 2) Place opposite (top left) post into the opposite cradle slot(C). Using both hands, apply pressure towards the right until the top left post pivots into cradle slot.
- 3) Line up both lower table posts and snap into lower cradle slots.

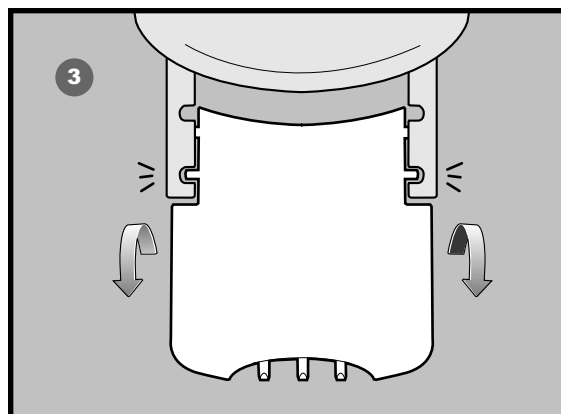
⚠ NOTA IMPORTANTE: LEA ESTE PASO CUIDADOSAMENTE ANTES DE INSTALAR LAS MESAS.

- 1) Inserte el poste superior derecho de la mesa lateral dentro de la ranura en el lado derecho del soporte(A) **en un punto aproximadamente una pulgada detrás** de la abertura de la ranura del soporte(B).
- 2) Coloque el poste opuesto (superior izquierdo) en la ranura del soporte opuesto(C). Usando ambas manos, aplique presión hacia la derecha hasta que el poste superior izquierdo gire hacia dentro de la ranura del soporte.
- 3) Alinee ambos postes inferiores de la mesa y encájelos a presión dentro de las aberturas inferiores del soporte.

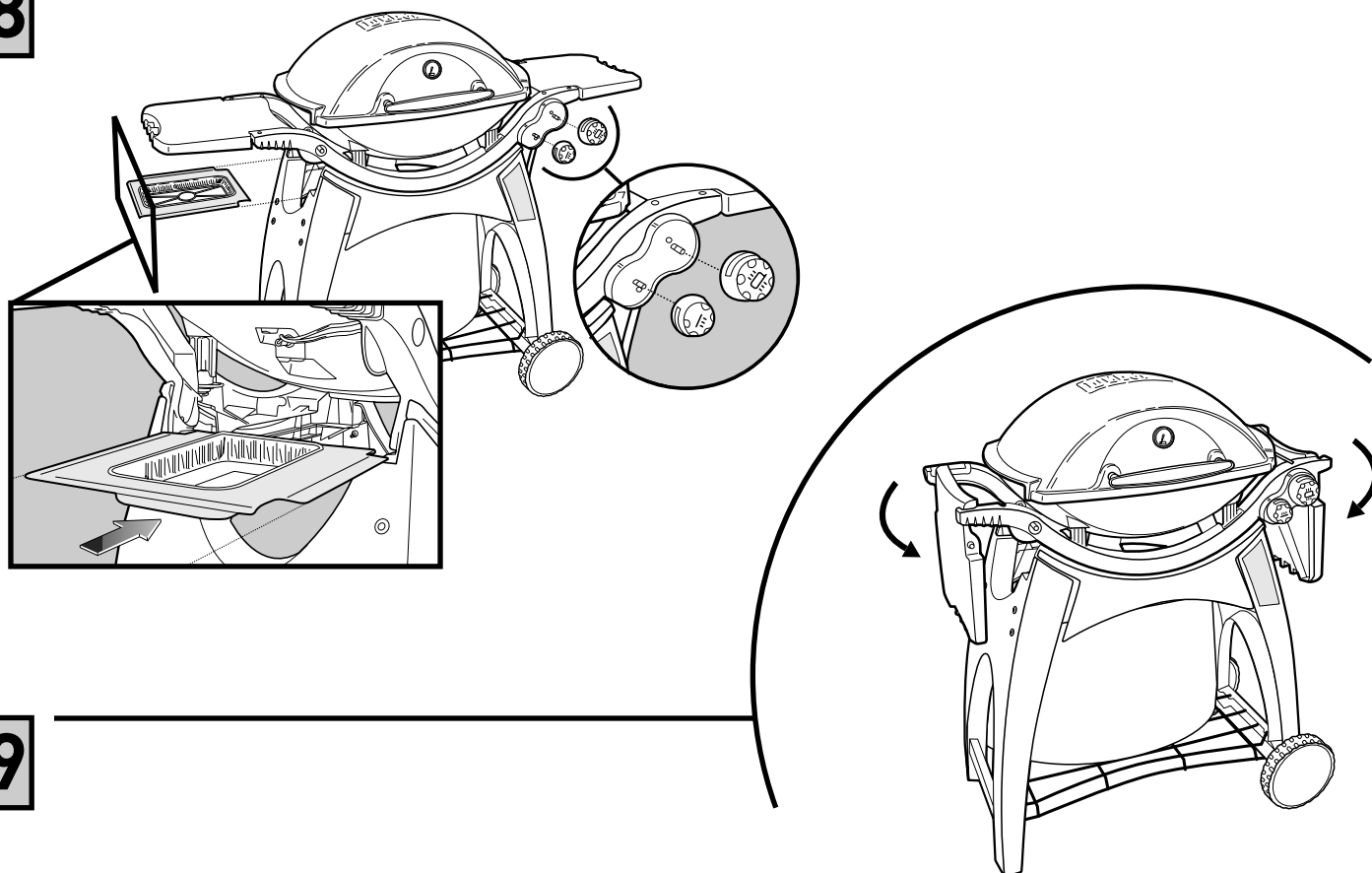


⚠ ATTENTION : VEUILLEZ LIRE CETTE ÉTAPE AVEC ATTENTION AVANT L'INSTALLATION DES TABLES.

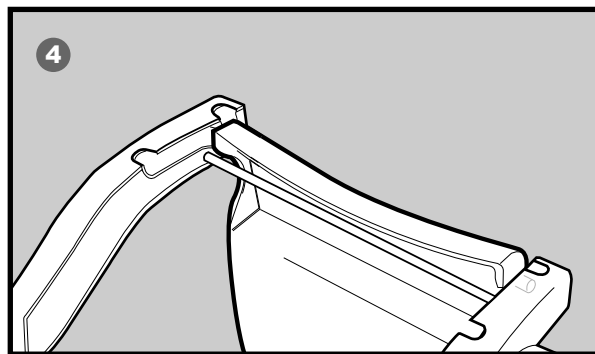
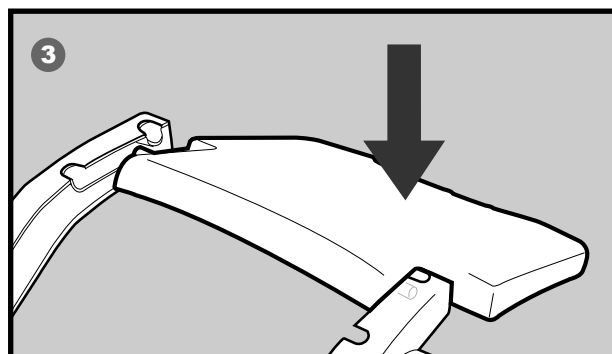
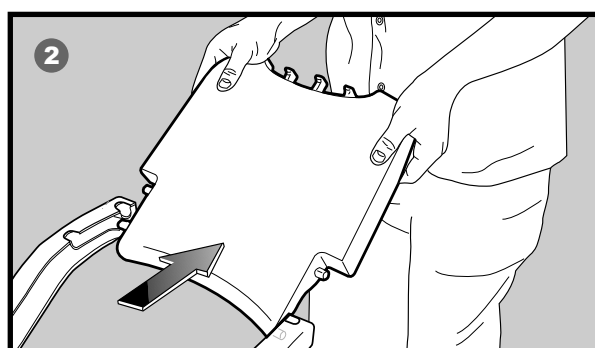
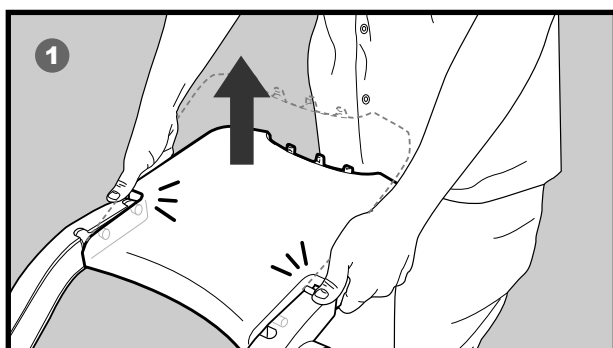
- 1) Placez le piquet supérieur droit de la table latérale dans la fente du côté droit de la cuve(A) **à environ un pouce derrière** l'ouverture de la fente de la cuve(B).
- 2) Placez le piquet opposé (supérieur gauche) dans la fente de la cuve opposée(C). A l'aide des deux mains, appliquez une pression vers la droite jusqu'à ce que le piquet supérieur gauche pivote vers la fente de la cuve.
- 3) Alignez les deux piquets inférieurs de la table puis enfoncez-les dans les fentes inférieures de la cuve.



18



19



Your Weber® gas barbecue is a portable outdoor cooking appliance. With the Weber® gas barbecue you can grill, barbecue, roast and bake with results that are difficult to duplicate with indoor kitchen appliances. The closed lid and Flavorizer® Bars produce that “outdoor” flavor in the food.

The Weber® gas barbecue is portable so you can easily change its location in your yard or on your patio. Portability means you can take your Weber® gas barbecue with, if you move.

Liquid Propane (LP) gas supply is easy to use and gives you more cooking control than charcoal fuel.

- These instructions will give you the minimum requirements for assembling your Weber® gas barbecue. Please read the instructions carefully before using your Weber® gas barbecue. Improper assembly can be dangerous.
- Not for use by children.
- If there are local codes that apply to portable gas grills, you will have to conform to them. Installation must conform with local codes or, in the absence of local codes, with either the National Fuel Gas Code, ANSI Z223.1/NFPA 54, Natural Gas and Propane Installation Code, CSA B149.1, or Propane Storage and Handling Code, B149.2, or the Standard for Recreational Vehicles, ANSI A 119.2/NFPA 1192, and CSA Z240 RV Series, Recreational Vehicle Code, as applicable.
- The pressure regulator supplied with the Weber® gas barbecue must be used. This regulator is set for 11 inches of water column (pressure).
- This Weber® gas barbecue is designed for use with liquid propane (LP) gas only. Do not use with natural (piped in city) gas. The valves, orifices, hose and regulator are for LP gas only.
- Do not use with charcoal fuel.
- Check that the area under the control panel and the bottom tray are free from debris that might obstruct the flow of combustion or ventilation air.
- The areas around the LP cylinder must be free and clear from debris.
- Replacement pressure regulators and hose assemblies must be those specified by Weber-Stephen Products Co.

FOR INSTALLATION IN CANADA

These instructions, while generally acceptable, do not necessarily comply with the Canadian Installation codes, particularly with piping above and below ground. In Canada the installation of this appliance must comply with local codes and/or Standard CSA-B149.2 (Propane Storage and Handling Code).

OPERATING

- ⚠ **WARNING: Only use this barbecue outdoors in a well-ventilated area. Do not use in a garage, building, breezeway or any other enclosed area.**
- ⚠ **WARNING: Keep ventilation openings for cylinder enclosure free and clear from debris.**

- ⚠ **WARNING: Your Weber® gas barbecue shall not be used under overhead combustible construction.**
- ⚠ **WARNING: Your Weber® gas barbecue is not intended to be installed in or on recreational vehicles and/or boats.**
- ⚠ **WARNING: Do not use the barbecue within 24 inches of combustible materials to the back or sides of the grill.**
- ⚠ **WARNING: The entire cooking box gets hot when in use. Do not leave unattended.**
- ⚠ **WARNING: Keep any electrical supply cord and the fuel supply hose away from any heated surface.**
- ⚠ **WARNING: Keep the cooking area clear of flammable vapors and liquids such as gasoline, alcohol, etc., and combustible materials.**
- ⚠ **WARNING: Never store an extra (spare) LP cylinder under or near the Weber® gas barbecue.**
- ⚠ **WARNING: The LP cylinder used with your barbecue must be with a listed OPD (Overfilling Prevention Device) and a QCC1 or Type 1 (CGA810) cylinder connection. The cylinder connection must be compatible with the barbecue connection.**

STORAGE AND/OR NONUSE

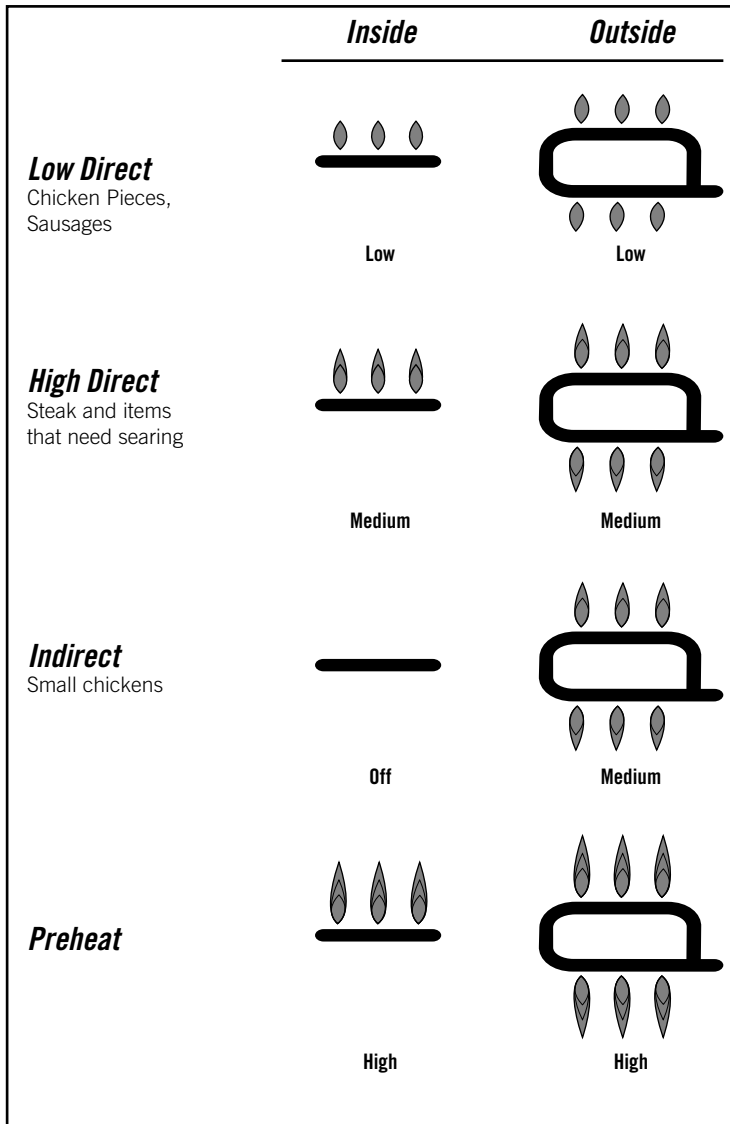
- The gas must be turned off at the liquid propane cylinder when the Weber® gas barbecue is not in use.
- When the Weber® gas barbecue is stored indoors, the gas supply must be DISCONNECTED and the LP cylinder stored outdoors in a well-ventilated space.
- LP cylinder must be stored outdoors in a well-ventilated area out of reach of children. Disconnected LP cylinder must not be stored in a building, garage or any other enclosed area.
- When the LP cylinder is not disconnected from the Weber® gas barbecue, the appliance and LP tank must be kept outdoors in a well-ventilated space.
- The Weber® gas barbecue should be checked for gas leaks and any obstructions in the burner tubes before using. (See Section: “Maintenance/Annual Maintenance”).
- Check that the areas under the control panel and the slide out bottom tray are free from debris that might obstruct the flow of combustion or ventilation air.
- The Spider /Insect Screens should also be checked for any obstructions. (See Section: “Maintenance/Annual Maintenance”).

COOKING

⚠ WARNING: Do not move the Weber® gas barbecue when operating or while barbecue is hot.

You can adjust the burners as desired. The control settings: High (H), Medium (M), Low (L), or Off (O) are described in the chart below. For example, to sear steaks, you would set both burners at H (high). Then to complete cooking, you would set OUTSIDE burner at M (medium). For more grilling tips and recipes, visit our website at www.weber.com®.

Note: The temperature inside your cooking box for the first few uses, while surfaces are still very reflective, may be hotter than those shown in your cookbook. Cooking conditions, such as wind and weather, may require the adjustment of the burner controls to obtain the correct cooking temperatures.



Preheating - Your Weber® gas barbecue is an energy-efficient appliance. It operates at an economical/low BTU rate. To preheat: after lighting, close lid and turn both burners to high (H). Preheating to between 500° and 550° F (260° and 290° C) will take 10 to 15 minutes depending on conditions such as air temperature and wind. After preheating, adjust control knobs to Medium or Low, or to between 350 and 450° F (177 and 232° C).

Drippings and grease - Excess drippings and grease will accumulate in the catch pan under the cookbox. Disposable foil drip pans are available that fit the catch pan.

⚠ WARNING: Check the drip pan for grease build-up before each use. Remove excess grease to avoid a grease fire in the catch pan.

CLEANING

⚠ WARNING: Turn your Weber® gas barbecue OFF and wait for it to cool before cleaning.

For availability of replacement cooking grate contact the Customer Service Representative in your region using the contact information on our web site. Log onto www.weber.com®.

Outside surfaces - Use a warm soapy water solution to clean, then rinse with water.

⚠ CAUTION: Do not use oven cleaner, abrasive cleansers (kitchen cleansers), cleaners that contain citrus products, or abrasive cleaning pads on barbecue or cart surfaces.

Slide out Bottom tray - Remove excess grease, then wash with warm soapy water, then rinse.

Cooking grate - Clean with a suitable brass bristle brush. As needed, remove from grill and wash with warm soapy water, then rinse with water.

Catch pan - Disposable foil trays are available, or you can line the catch pan with aluminum foil. To clean the catch pan, wash with warm soapy water, then rinse.

Inside cooking Box - Brush any debris off of burner tubes. **DO NOT ENLARGE BURNER PORTS (OPENINGS)**. Wash inside of cooking box with warm soapy water and a water rinse.

Inside Lid - While lid is warm, wipe inside with paper towel to prevent grease build-up. Flaking built-up grease resembles paint flakes.

Swing-up work tables - Wash with a soft cloth and a soap and water solution.

Do not use cleaners that contain acid, mineral spirits or xylene. Rinse well after cleaning.

Swing-up work tables are not to be used as cutting boards.

IMPORTANT LP CYLINDER INFORMATION

Failure to follow these **DANGER** statements exactly may result in a fire causing death or serious injury.

Weber recommends the use of cylinder manufacturer's Manchester and Worthington, with a 47.6 lb water capacity. Other cylinders may be acceptable for use with the appliance provided they are compatible with the appliance retention means (see illustrations).

⚠DANGER

⚠NEVER store a spare LP Cylinder under or near this barbecue.

⚠NEVER fill the tank beyond 80% full.

If this is not followed exactly, a fire causing death or serious injury may occur.

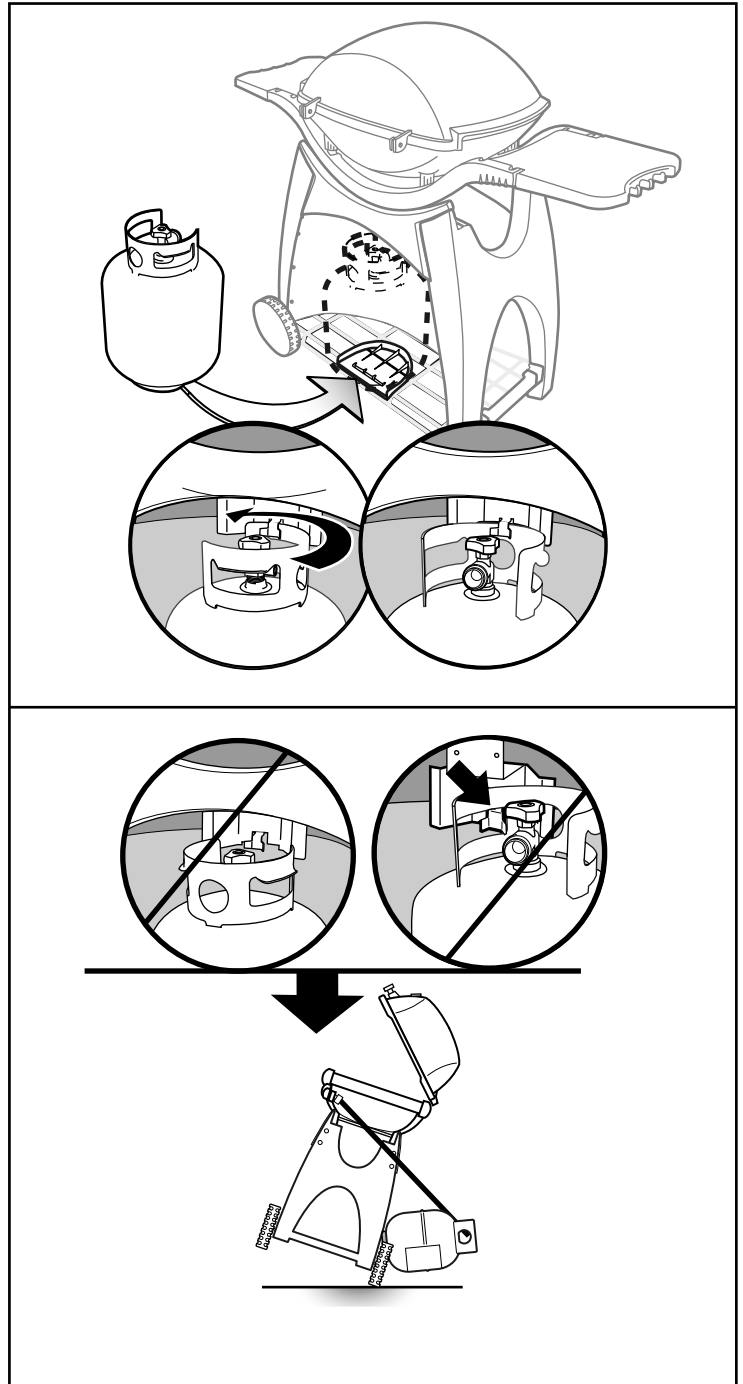
Your Weber® gas grill is equipped for a cylinder supply system designed for vapor withdrawal.

⚠WARNING: Only use this grill outdoors in a well-ventilated area. Do not use in a garage, building, breezeway or any other enclosed area.

The proper filling methods for the filling of your cylinder are by weight or volume, as described in NFPA 58. Please make sure your filling station fills your LP cylinder by weight or volume. Ask your filling station to read purging and filling instructions on the LP cylinder before attempting to fill.

MOUNT THE CYLINDER

See illustration:



CONNECTING THE LIQUID PROPANE CYLINDER

⚠ **WARNING:** Make sure that the LP cylinder valve is closed. Close by turning valve clockwise.

⚠ DANGER

Do not use an open flame to check for gas leaks. Be sure there are no sparks or open flames in the area while you check for leaks. Sparks or flames will result in a fire or explosion which can cause serious bodily injury or death, and damage to property.

To Connect the hose to the cylinder:

⚠ **WARNING:** The hose must be secured to the cart leg by the hose retention clip. Failure to do so could cause damage to hose resulting in a fire or explosion, which can cause serious bodily injury or death and damage to property.

- 1) Remove the plastic dust cover from the tank valve.
- 2) Screw the hose coupling onto the tank valve, clockwise, or to the right. Hand-tighten only.

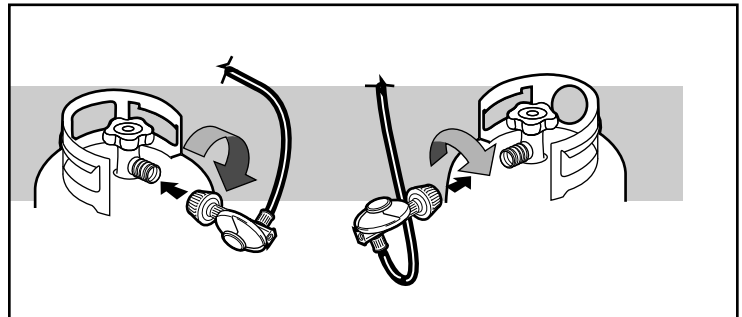
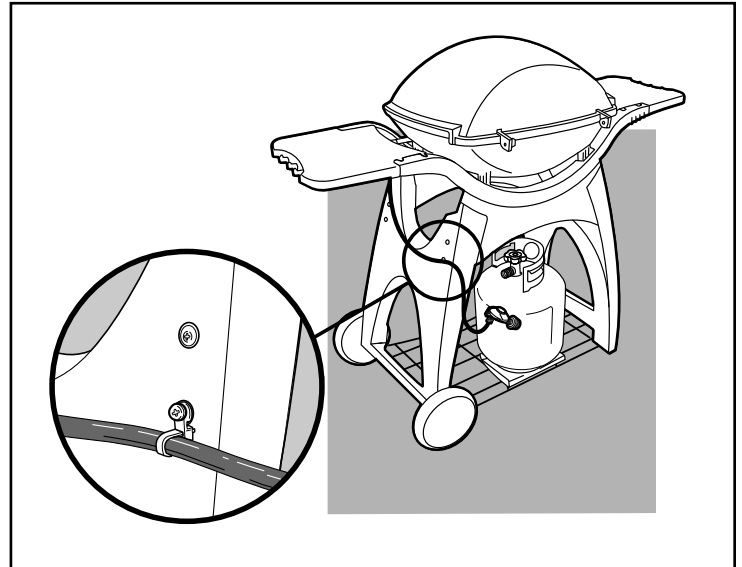
Note: This is a new type of connection. It tightens clockwise and will not allow gas to flow unless the connection is tight. The connection requires tightening by hand only.

⚠ **WARNING:** Do not use a wrench to tighten the connection. Using a wrench could damage the regulator coupling and could cause a leak.

CHECK FOR GAS LEAKS**CHECK THAT THE BURNER VALVES ARE OFF**

Check by pushing the control knob in and turning clockwise. Confirm that the knob is set in the "OFF" indicator position. Proceed to the next step. If the control knob does turn, continue turning clockwise until it stops. It is now in the OFF position. Proceed to the next step

- ⚠ **WARNING:** You should check for gas leaks every time you disconnect and reconnect a gas fitting.
- ⚠ **WARNING:** Perform these leak checks even if your barbecue was dealer or store assembled.
- ⚠ **WARNING:** Do not ignite burners when leak checking.



⚠DANGER

Do not use an open flame to check for gas leaks. Be sure there are no sparks or open flames in the area while you check for leaks. Sparks or open flames will result in a fire or explosion, which can cause serious bodily injury or death and damage to property.

- 1) Mix soap and water.
- 2) Turn on the cylinder valve by turning cylinder valve handwheel counter-clockwise.
- 3) Check for leaks by wetting the fitting with the soap and water solution and watching for bubbles. If bubbles form, or if a bubble grows, there is a leak.

If there is a leak, turn off the gas and tighten the fitting. Turn the gas back on and recheck with the soap and water solution.

If leak does not stop, Contact the Customer Service Representative in your area using the contact information on our web site. Log onto www.weber.com. Do not use the barbecue.

- 4) When leak checking is complete, turn gas supply OFF at the source and rinse connections with water.

⚠ WARNING: Do not ignite burners when leak checking.

Check:

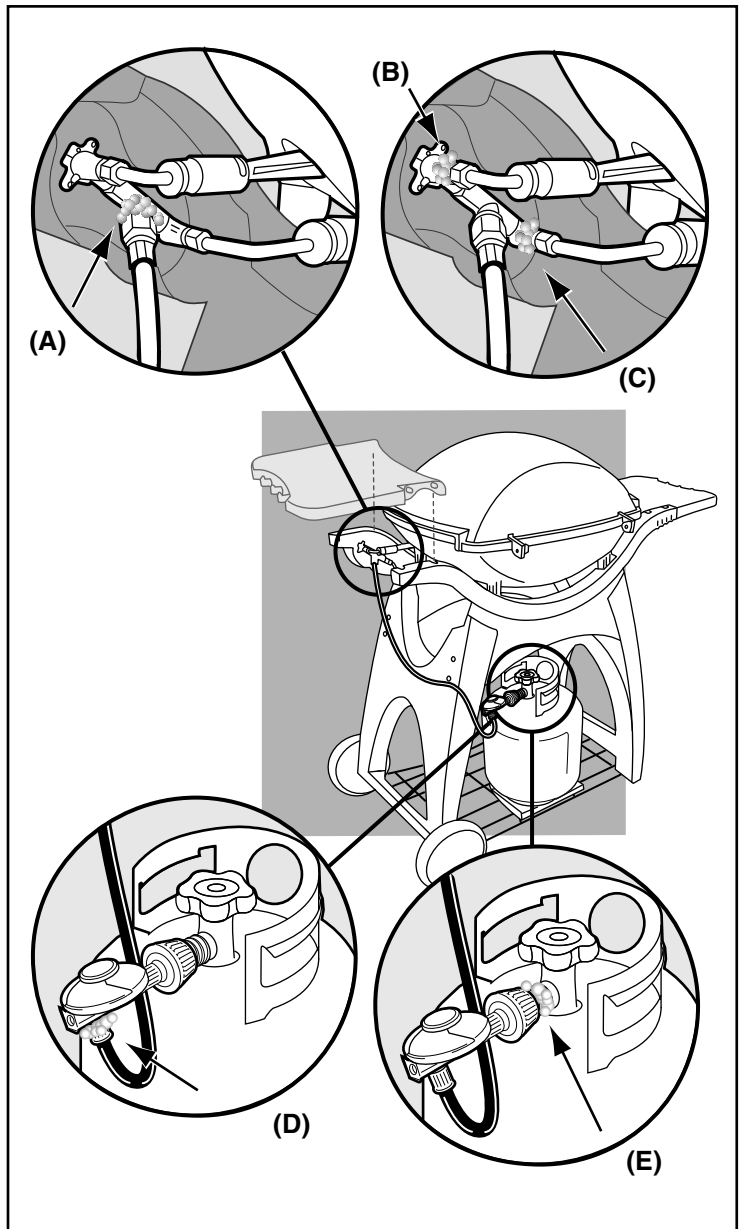
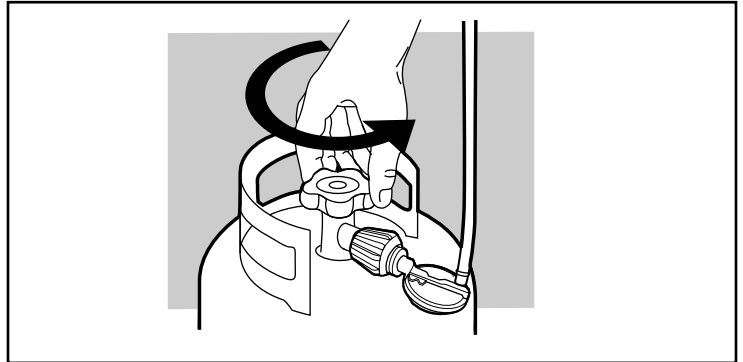
- A.) Valve to-regulator hose connection.
- B.) Valve to Outside burner gas line connection.
- C.) Valve to Inside burner gas line connection.

⚠ WARNING: If there is a leak at connection (A, B, or C) turn OFF the gas. DO NOT OPERATE THE GRILL. Contact the Customer Service Representative in your area using the contact information on our web site. Log onto www.weber.com.

Check:

- D.) Hose to regulator connection.
- E.) Regulator to propane cylinder connection.

⚠ WARNING: If there is a leak at connection (E), remove propane cylinder. Do not operate grill. Use a different propane cylinder and recheck for leaks with soap and water solution. If a leak persists after retightening the propane cylinder, turn OFF the gas. DO NOT OPERATE THE GRILL. Contact the Customer Service Representative in your area using the contact information on our web site. Log onto www.weber.com.



REFILLING THE LIQUID PROPANE CYLINDER

We recommend that you refill the LP cylinder before it is completely empty.

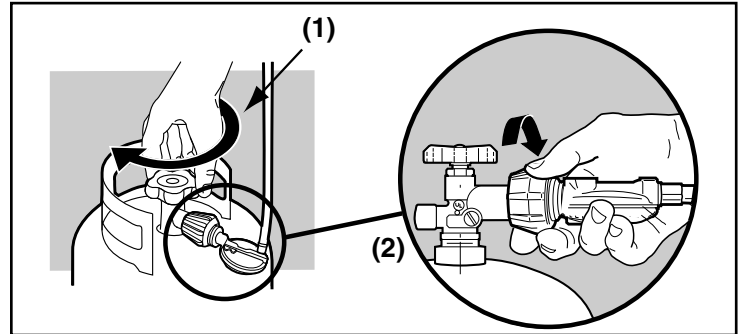
Removal of the LP cylinder

- 1) Close cylinder valve (turn clockwise).
- 2) Unscrew Regulator by turning counterclockwise, by hand only.
- 3) Remove LP Cylinder from tank bracket by rotating cylinder.
- 4) Lift cylinder off.

To refill, take LP cylinder to a "Gas Propane" dealer.

⚠ WARNING: We recommend that your LP cylinder be filled at an authorized LP gas dealer, by a qualified attendant, who fills the cylinder by weight. IMPROPER FILLING IS DANGEROUS.

⚠ CAUTION: Place dust cap on cylinder valve outlet whenever the cylinder is not in use. Only install the type of dust cap on the cylinder valve outlet that is provided with the cylinder valve. Other types of caps or plugs may result in leakage of propane.

**SAFE HANDLING TIPS FOR LIQUID PROPANE GAS CYLINDERS**

- Liquid Propane (LP) gas is a petroleum product as are gasoline and natural gas. LP gas is a gas at regular temperatures and pressures. Under moderate pressure, inside a cylinder, LP gas is a liquid. As the pressure is released, the liquid readily vaporizes and becomes gas.
- LP gas has an odor similar to natural gas. You should be aware of this odor.
- LP gas is heavier than air. Leaking LP gas may collect in low areas and prevent dispersion.
- To fill, take the LP cylinder to a gas propane dealer, or look up "gas-propane" in the phone book for other sources of LP gas.

⚠ WARNING: We recommend that your LP cylinder be filled at an authorized LP gas dealer, by a qualified attendant, who fills the tank by weight. IMPROPER FILLING IS DANGEROUS.

- Air must be removed from a new LP cylinder before the initial filling. Your LP dealer is equipped to do this.
- The LP cylinder must be installed, transported and stored in an upright position. LP cylinders should not be dropped or handled roughly.
- Never store or transport the LP cylinder where temperatures can reach 125° F (too hot to hold by hand - for example: do not leave the LP cylinder in a car on a hot day).

Note: A refill will last about 18-20 hours of cooking time at normal use. The fuel scale will indicate the propane supply so you can refill before running out. You do not have to run out before you refill.

- Treat "empty" LP cylinders with the same care as when full. Even when the LP tank is empty of liquid there still may be gas pressure in the cylinder. **Always close the cylinder valve before disconnecting.**

⚠ CAUTION: Place dust cap on cylinder valve outlet whenever the cylinder is not in use. Only install the type of dust cap on the cylinder valve outlet that is provided with the cylinder valve. Other types of caps or plugs may result in leakage of propane.

- Do not use a damaged LP cylinder. Dented or rusty LP cylinders or LP cylinders with a damaged valve may be hazardous and should be replaced with a new one immediately.

Liquid Propane (LP) Cylinder(s)

- The joint where the hose connects to the LP cylinder must be leak tested each time the LP cylinder is reconnected. For example, test each time the LP cylinder is refilled.
- Be sure the regulator is mounted with the small vent hole pointed downward so that it will not collect water. This vent should be free of dirt, grease, bugs etc.
- The gas connections supplied with your Weber® gas barbecue have been designed and tested to meet 100% CSA and ANSI requirements.

⚠ WARNING: Replacement LP tanks must match the regulator connection supplied with this barbecue.

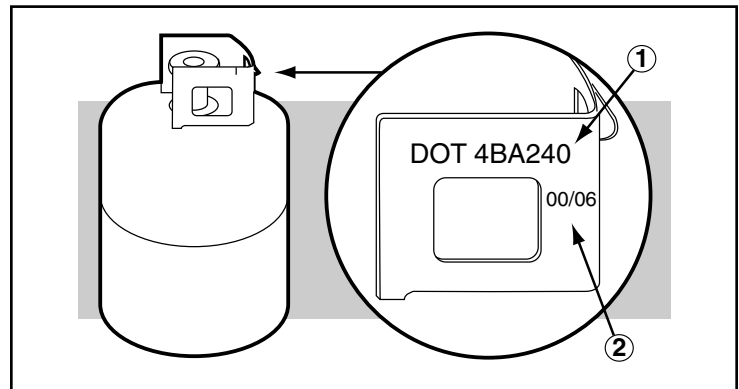
Liquid Propane Cylinder requirements

- Check to be sure cylinders have a D.O.T. certification (1), and date tested (2) is within five years. Your LP gas supplier can do this for you.
- All LP tank supply systems must include a collar to protect the cylinder valve.
- The LP cylinder must be a 20-lb. size approximately (18¼ inches high, 12¼ inches in diameter).
- The cylinder should be constructed and marked in accordance with the Specifications for LP - Gas Cylinders of the U.S. Department of Transportation (D.O.T.) or the National Standard of Canada, CAN/CSA-B339, Cylinders, Spheres and Tubes or Transportation of Dangerous Goods; and Commission, as applicable.

In Canada**Liquid Propane Cylinder requirements**

Note: Your retailer can help you match a replacement tank to your barbecue.

- The LP cylinder must be constructed and marked in accordance with the specifications for LP gas cylinders, T.C.



Operating Instructions

19

LIGHTING

Summary lighting instructions are posted on the cart leg under the control knobs (L).

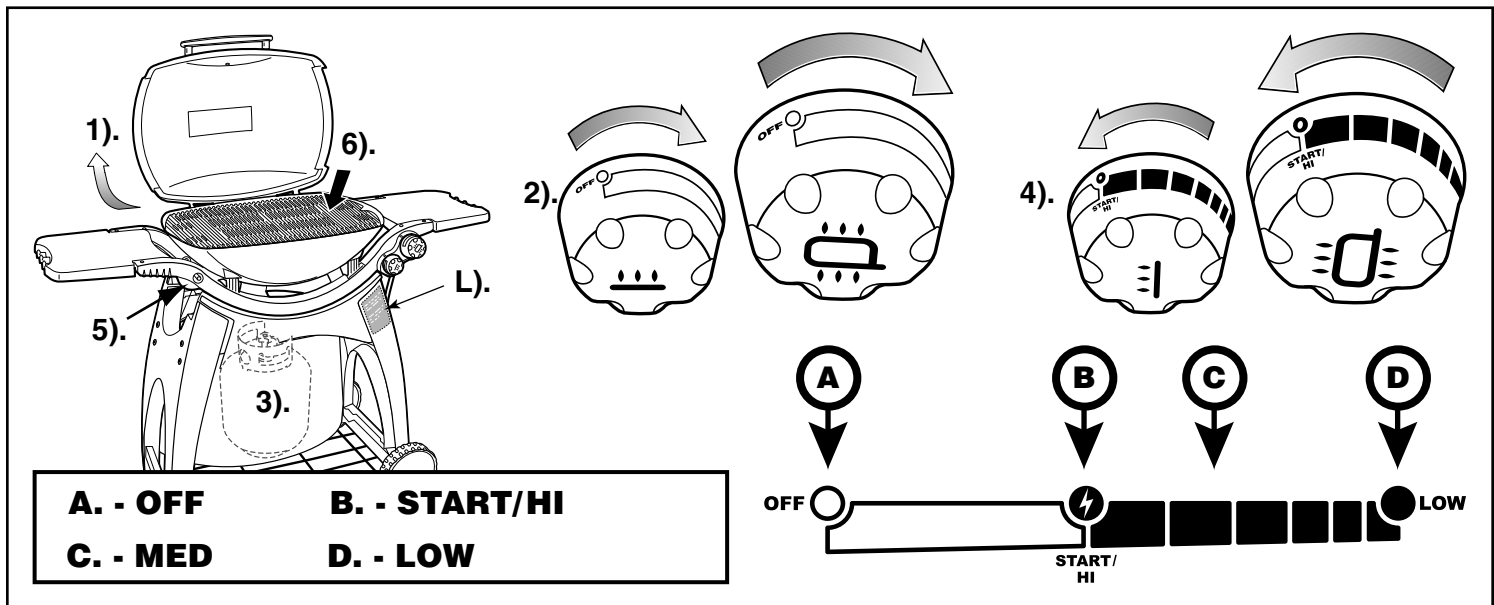
⚠ DANGER

Failure to open the lid while igniting the barbecue's burners, or not waiting 5 minutes to allow the gas to clear if the barbecue does not light, may result in an explosive flame-up which can cause serious bodily injury or death.

⚠ **WARNING:** Check hose before each use of barbecue for nicks, cracking, abrasions or cuts. If the hose is found to be damaged in any way, do not use the barbecue. Replace using only Weber® authorized replacement hose. Contact the Customer Service Representative in your area using the contact information on our web site. Log onto www.weber.com.

Ignition System

Note - The ignition system ignites the burners with a spark from the igniter electrode inside the ignition chamber. You generate the energy for the spark by pushing the ignition button until it clicks.



- 1) Open the lid.
- 2) Make sure all burner control knobs are turned OFF. (Push control knob in and turn clockwise to ensure that it is in the OFF position.)

⚠ **WARNING:** The burner control knobs must be in the OFF position before turning on the liquid propane cylinder tank valve. If they are not in the OFF position, when you turn on the LP cylinder valve, the "excess gas flow control" feature will activate, limiting the flow of gas from the LP cylinder. If this should occur, turn OFF the LP cylinder valve and burner control knobs. Then start over.

⚠ DANGER:

When the "excess gas flow control" feature is activated, a small amount of gas is still flowing to the burners. After turning OFF the cylinder valve, wait at least 5 minutes for the gas to clear before attempting to light the barbecue. Failure to do so may result in an explosive flame-up, which can cause serious bodily injury or death.

- 3) Turn the gas on by slowly turning the cylinder valve counterclockwise. Wait 60 seconds.

⚠ **WARNING:** Do not lean over the open barbecue when lighting the barbecue.

- 4) Select the Outside burner, push control knob in and turn to START/HI.
 - 5) Push the ignition button, so that it clicks. Repeat if necessary
 - 6) Check that the burner is lit by looking down through the cooking grate. You should see a flame.
- ⚠ **WARNING:** If the burner does not light, turn the burner control knob to OFF and wait 5 minutes to let the gas clear before you try again or try to light with a match.
- 7) After the Outside burner is lit you can turn on the Inside burner. The Inside burner is ignited from the Outside burner.

TO EXTINGUISH

Push in and turn each burner control knob clockwise to the OFF position. Turn gas supply OFF at the source.

MANUAL LIGHTING

⚠ DANGER

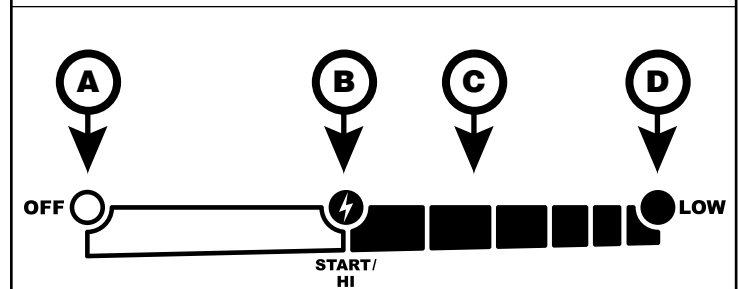
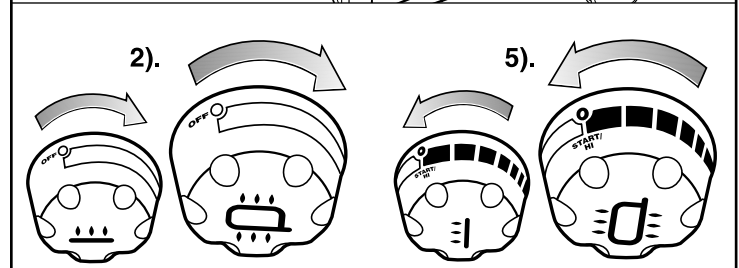
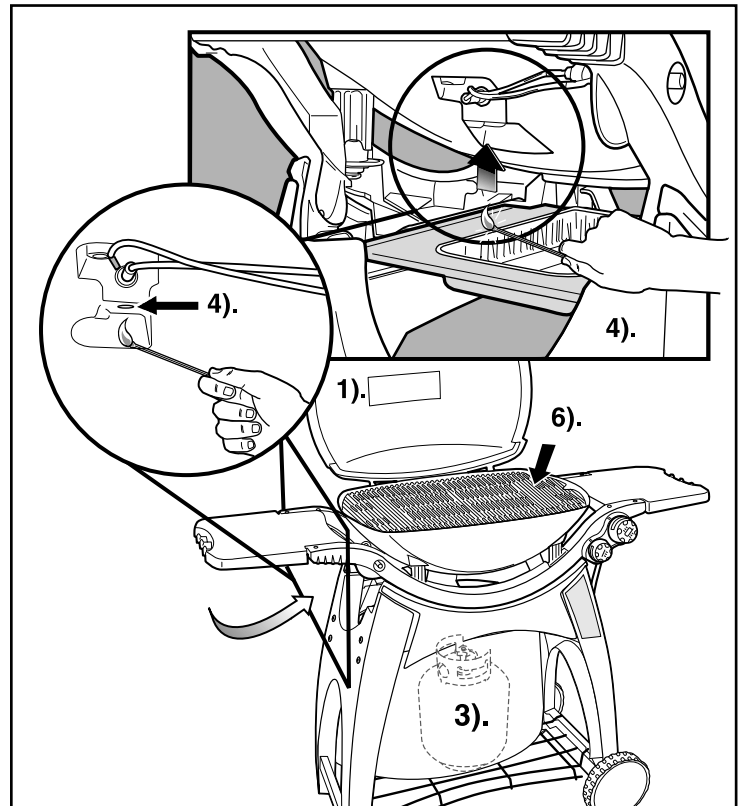
Failure to open the lid while igniting the barbecue's burners, or not waiting 5 minutes to allow the gas to clear if the barbecue does not light, may result in an explosive flame-up which can cause serious bodily injury or death.

- 1) Open the lid.
 - 2) Make sure all burner control knobs are turned OFF. (Push each knob in and turn clockwise to ensure they are in the off position.)
- ⚠ **WARNING:** The burner control knobs must be in the OFF position before turning on the liquid propane cylinder valve. If they are not in the OFF position, when you turn on the LP cylinder valve, the "excess gas flow control" feature will activate, limiting the flow of gas from the LP cylinder. If this should occur, turn OFF the LP tank valve and burner control knobs. Then start over.

⚠ DANGER

When the "excess gas flow control" feature is activated, a small amount of gas is still flowing to the burners. After turning OFF the cylinder and burner control knobs, wait at least 5 minutes for the gas to clear before attempting to light the barbecue. Failure to do so may result in an explosive flame-up, which can cause serious bodily injury or death.

- 3) Turn the cylinder on by turning the cylinder valve counterclockwise.
 - 4) Strike a match and put the flame into the matchlight hole under the igniter.
- ⚠ **WARNING:** Do not lean over open barbecue when lighting the barbecue.
- 5) Select Outside burner, push control knob in and turn to START/Hi.
 - 6) Check that the burner is lit by looking down through the cooking grate. You should see a flame.
- ⚠ **WARNING:** If the burner does not light, turn the burner control knob to OFF and wait 5 minutes to let the gas clear before you try again.
- 7) After the Outside burner is lit you can turn on the Inside burner. The Inside burner is ignited from the Outside burner.



A. - OFF

B. - START/Hi

C. - MED

D. - LOW

TO EXTINGUISH

Push down and turn each burner control knob clockwise to the OFF position. Turn gas supply OFF at the source.

PROBLEM	CHECK	CURE
Burners burn with a yellow or orange flame, in conjunction with the smell of gas.	Inspect Spider / Insect Screens for possible obstructions. (Blockage of holes.)	Clean Spider / Insect Screens. (See Section "Annual Maintenance")
Symptoms: Burners do not light. -or- Burners have a small flickering flame in the HIGH position. -or- Barbecue temperature only reaches 250°F (121°C) to 300° F (148°C) in the HIGH position.	The excess flow safety device, which is part of the barbecue to cylinder connection, may have activated.	To reset the excess flow safety device turn all burner control knobs and the cylinder valve OFF. Disconnect the regulator from the cylinder. Turn burner control knobs to HIGH. Wait at least 1 minute. Turn burner control knobs OFF. Reconnect the regulator to the cylinder. Turn cylinder valve on slowly. Refer to "Lighting Instructions".
Burner does not light, or flame is low in HIGH position.	Is LP fuel low or empty?	Refill LP cylinder.
	Is fuel hose bent or kinked?	Straighten fuel hose.
	Does the outside burner light with a match?	If you can light the outside burner with a match, then check the ignition system.
Experiencing flare-ups:	Are you preheating barbecue in the prescribed manner?	All burners on high for 10 to 15 minutes for preheating.
	Are the cooking grates heavily coated with burned-on grease?	Clean thoroughly. (See Section "Cleaning")
	Is the bottom tray "dirty" and not allowing grease to flow into catch pan?	Clean bottom tray
Burner flame pattern is erratic. Flame is low when burner is on HIGH. Flames do not run the whole length of the burner tube.	Are burners clean?	Clean burners. (See Section "Maintenance".)
Inside of lid appears to be "peeling." (Resembles paint peeling.)	The lid is Cast Aluminum, not paint. It cannot "peel". What you are seeing is baked on grease that has turned to carbon and is flaking off. THIS IS NOT A DEFECT.	Clean thoroughly. (See Section "Cleaning".)
If problems cannot be corrected by using these methods, please contact the Customer Service Representative in your area using the contact information on our web site. Log onto www.weber.com .		

WEBER® SPIDER /INSECT SCREENS

Your Weber® gas barbecue, as well as any outdoor gas appliance, is a target for spiders and other insects. They can nest in the venturi section (1) of the burner tubes. This blocks the normal gas flow, and can cause the gas to flow back out of the combustion air opening. This could result in a fire in and around the combustion air openings, under the control panel, causing serious damage to your barbecue.

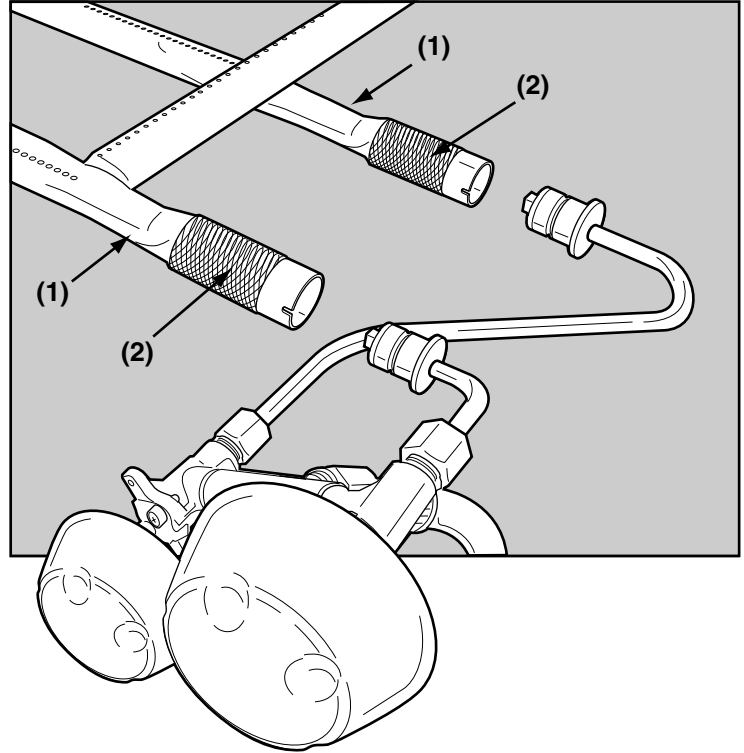
The burner tube combustion air opening is fitted with a stainless steel screen (2) to prevent spiders and other insects access to the burner tubes through the combustion air openings.

We recommend that you inspect the Spider/Insect screens at least once a year. (See Section “Annual Maintenance”.) Also inspect and clean the the Spider/Insect screens if any of the following symptoms should ever occur:

- 1) The smell of gas in conjunction with the burner flames appearing yellow and lazy.
- 2) Barbecue does not reach temperature.
- 3) Barbecue heats unevenly.
- 4) One or more of the burners do not ignite.

⚠ DANGER

Failure to correct the above mentioned symptoms may result in a fire, which can cause serious bodily injury or death, and cause damage to property.

**ANNUAL MAINTENANCE****Inspection and cleaning of the Spider/Insect screens**

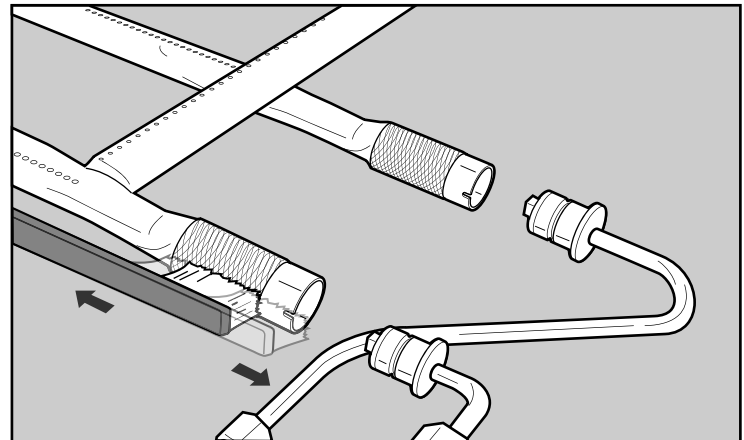
To inspect the spider/insect screens, look under right swing-up table behind the control knobs. If there is dust or dirt on the screens, remove the burners for cleaning the screens (See section “Replacing Main Burners”).

Brush the spider/insect screens, lightly, with a soft bristle brush (i.e. an old toothbrush).

⚠ CAUTION: Do not clean the spider/insect screens with hard or sharp tools. Do not dislodge the spider/insect screens or enlarge the screen openings.

Lightly tap the burner to get debris and dirt out of the burner tube. Once the spider/insect screens and burners are clean replace the burners.

If the spider/insect screen becomes damaged or cannot be cleaned, please contact the Customer Service Representative in your area using the contact information on our web site. Log onto www.weber.com.

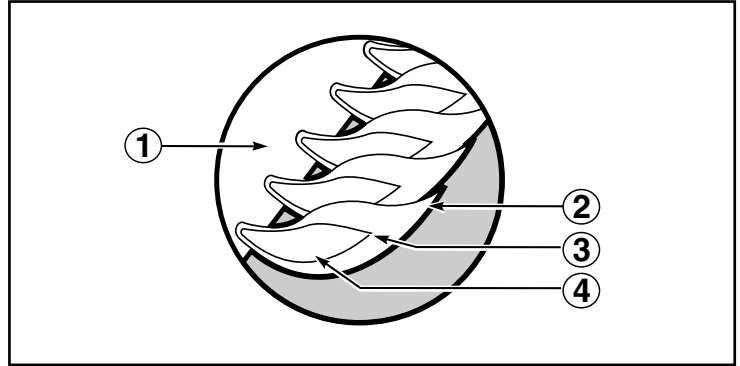


MAIN BURNER FLAME PATTERN

The Weber® gas barbecue burners have been factory set for the correct air and gas mixture. The correct flame pattern is shown.

- 1) Burner tube
- 2) Tips occasionally flicker yellow
- 3) Light blue
- 4) Dark blue

If the flames do not appear to be uniform throughout the burner tube, follow the burner cleaning procedures.

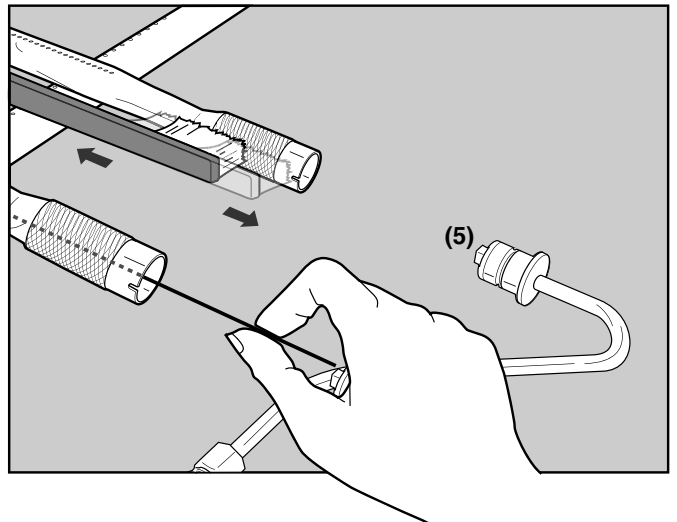
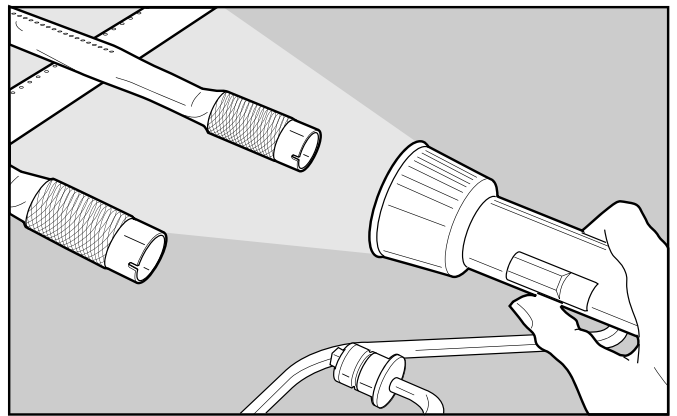


MAIN BURNER CLEANING PROCEDURE

Turn off the gas supply. Remove burners first (See section - Replacing Main Burners). Look inside each burner with a flashlight.

Clean the inside of the burners with a wire (a straightened-out coat hanger will work). Check and clean the air shutter opening at the ends of the burners. Check and clean the valve orifices at the base of the burner orifice (5). Use a Steel bristle brush to clean outside of burners. This is to make sure all the burner ports are fully open.

⚠CAUTION: Do not enlarge the burner ports when cleaning.



REPLACING MAIN BURNERS

- 1) Your Weber® gas barbecue must be OFF and cool.
- 2) Turn gas OFF at source.
- 3) Open lid and remove the cooking grates.
- 4) Remove nut and washer on Outside burner and Inside burner.
- 5) Rotate the outside burner 90°. Slide and lift burner away from burner orifice and remove from cook box.
- 6) Repeat this procedure for the Inside burner.

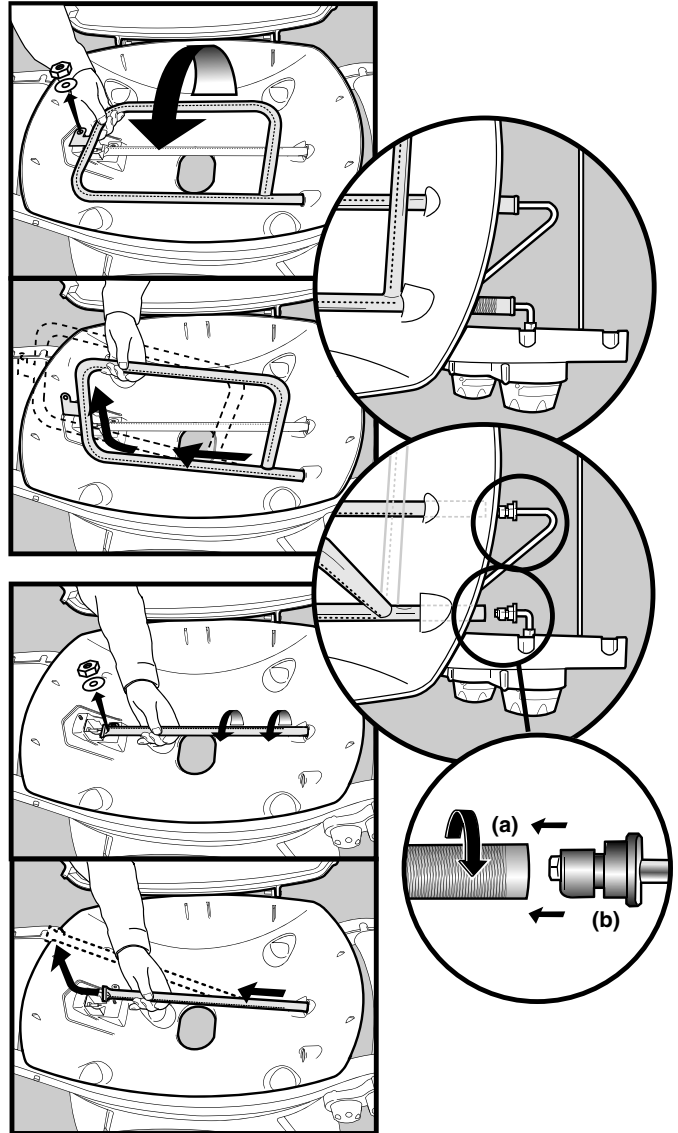
⚠ **CAUTION: Care must be taken when removing or reinstalling burner tubes. Do not force or bend the gas lines that connect the burner tubes to the control valve.**

- 7) To reinstall the burners, reverse 4) through 7).

⚠ **CAUTION: The burner openings(a) must be positioned properly over the burner orifices(b).**

Check for proper assembly before fastening Burner tubes in place.

⚠ **WARNING: After reinstalling the burners, the gas connections should be leak checked with a soap and water solution before using the barbecue. (See Step: "Check for gas leaks.")**

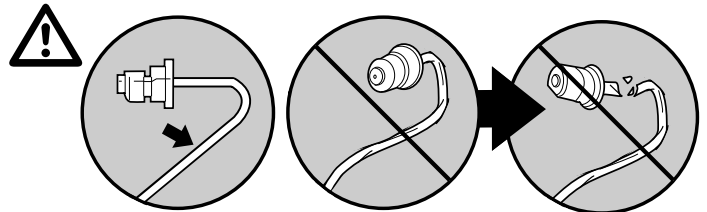
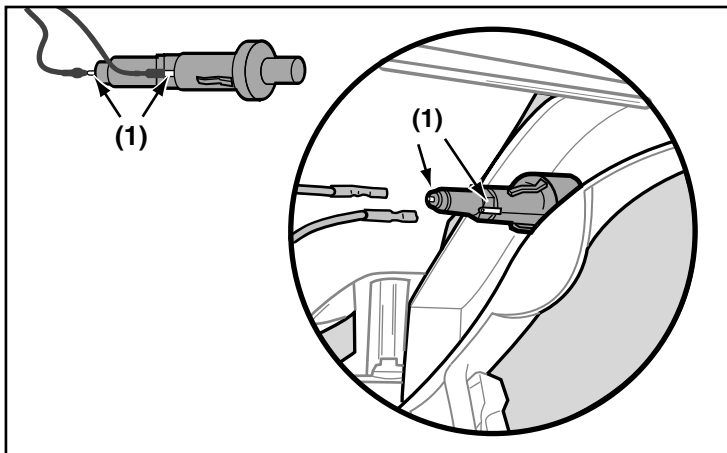


IGNITION SYSTEM OPERATIONS

If the ignition system fails to ignite the burners, then check the igniter.

- Check that both ignition wires are attached properly to igniter electrodes(1).
- Check that the ignition button pushes in, and returns to the out position.

If the ignition system still fails to light, contact the Customer Service Representative in your area using the contact information on our web site. Log onto www.weber.com.



Registre su asador en línea visitando www.weber.com

DEBE LEER ESTA GUÍA DEL PROPIETARIO ANTES DE PONER A FUNCIONAR LA BARBACOA DE GAS

⚠ PELIGRO

Si usted huele gas:

1. Cierre el suministro de gas al artefacto.
2. Apague cualquier llama encendida.
3. Abra la tapa.
4. Si el olor continuase, aléjese del artefacto e inmediatamente llame a su suplidor de gas o al cuerpo de bomberos.

Una fuga de gas puede provocar un incendio o explosión que puede resultar en lesiones corporales serias o la muerte, o daños a la propiedad.

⚠ ADVERTENCIA:

1. No almacene gasolina u otros líquidos o vapores inflamables cerca de éste o cualquier otro artefacto doméstico.
2. Ningún cilindro de propano licuado que no esté conectado para su uso deberá almacenarse cerca de éste o cualquier otro artefacto doméstico.

⚠ **ADVERTENCIA:** Antes de poner a funcionar la barbacoa, siga cuidadosamente todos los procedimientos en este manual para verificar que no existan fugas. Haga esto aun y cuando la barbacoa haya sido ensamblada por el distribuidor.

⚠ **ADVERTENCIA:** No trate de encender este artefacto sin antes leer la sección “Instrucciones para encender la barbacoa” de este manual.

AVISO AL INSTALADOR: Estas instrucciones deben permanecer con el propietario, quien las deberá guardar para un futuro uso.

ESTE ARTEFACTO A GAS ESTÁ DISEÑADO PARA USARSE SOLAMENTE AL AIRE LIBRE.

⚠ PELIGRO

El hacer caso omiso de los avisos de peligros, advertencias y precauciones contenidos en este Manual del Propietario pudiera resultar en lesiones corporales serias o la muerte, o en un fuego o explosión que cause daños a la propiedad.

⚠ ADVERTENCIAS

- ⚠ No almacene un tanque de propano licuado desconectado o de repuesto debajo o cerca de este asador.
- ⚠ El ensamblaje incorrecto puede ser peligroso. Por favor siga cuidadosamente las instrucciones de ensamblaje.
- ⚠ Tras haber estado guardada o sin uso por algún tiempo, antes de usar la barbacoa de gas Weber® verifique que no existan fugas de gas o obstrucciones en el quemador. Vea en este manual las instrucciones para los procedimientos correctos.
- ⚠ No opere la barbacoa de gas Weber® si existe una fuga de gas.
- ⚠ No utilice una llama abierta para comprobar la existencia de fugas de gas.
- ⚠ Nunca debe haber materiales combustibles a una distancia menor de 24 pulgadas (60 cm) de la parte superior, inferior, trasera o lateral de su asador de gas Weber®.
- ⚠ No coloque una funda para barbacoas ni cualquier otro artículo inflamable sobre o dentro del área de almacenaje ubicada debajo del asador.
- ⚠ Nunca permita que los niños usen la barbacoa de gas Weber®. Algunas partes accesibles de la barbacoa pudieran estar muy calientes. Mantenga alejados a los niños pequeños mientras ésta se esté usando.

- ⚠ **Usted debe proceder con razonable cuidado al usar su barbacoa de gas Weber®. Ésta estará caliente al cocinarse en ella o al limpiarla, y nunca deberá dejarse desatendida o moverse mientras esté funcionando.**
- ⚠ **Si llegasen a apagarse los quemadores, cierre todas las válvulas de gas. Abra la tapa y espere cinco minutos antes de tratar de volver a encender la barbacoa, usando las instrucciones de encendido en este manual.**
- ⚠ **No use carbón o piedra pómez en su barbacoa de gas Weber®.**
- ⚠ **No se incline sobre la barbacoa abierta o coloque las manos o dedos en el borde delantero de la caja de cocción.**
- ⚠ **Si la grasa llegase a agarrar fuego, apague todos los quemadores y mantenga la tapa cerrada hasta que se haya apagado el fuego.**
- ⚠ **Al limpiar las válvulas o los quemadores, no ensanche los orificios de las válvulas o las aberturas de los quemadores.**
- ⚠ **La barbacoa de gas Weber® deberá limpiarse a fondo regularmente.**
- ⚠ **El propano licuado no es gas natural. El uso de gas natural en una unidad de propano licuado o viceversa, propano licuado en una de gas natural, es peligroso y anulará su garantía.**
- ⚠ **Mientras opere la barbacoa, utilice guantes resistentes al calor.**
- ⚠ **Mantenga alejados de todas las superficie calientes a todo cordón eléctrico y a la manguera de suministro de combustible.**
- ⚠ **Los subproductos de la combustión producidos al usar este producto contienen sustancias químicas que son conocidas por el Estado de la California como causantes de cáncer, defectos de nacimiento, u otros daños reproductivos.**
- ⚠ **No use esta barbacoa a menos que todas sus partes estén colocadas en su sitio. La unidad debe ensamblarse correctamente de acuerdo con las instrucciones de ensamblaje.**

ÚNICAMENTE UNIDADES DE GAS PROPANO LICUADO

- ⚠ **Use el regulador que se suministra con la barbacoa de gas Weber®.**
- ⚠ **No trate de desconectar el regulador de gas o ninguna conexión de gas mientras esté funcionando la barbacoa.**
- ⚠ **Un cilindro de propano licuado abollado u oxidado pudiera ser peligroso y deberá ser revisado por su suplidor de propano licuado. No utilice ningún cilindro de propano licuado con una válvula dañada.**
- ⚠ **Aunque el cilindro de propano licuado pudiera aparentar estar vacío, algo de gas pudiera aún estar presente, por lo que el cilindro deberá transportarse y almacenarse tomando esta posibilidad en consideración.**
- ⚠ **Si usted ve, huele o escucha el silbido de un escape de gas del cilindro de propano licuado:**
 1. **Apártese del cilindro de propano licuado.**
 2. **No trate de corregir el problema usted mismo.**
 3. **Llame al cuerpo de bomberos local.**

Para poder validar su garantía por favor registre su asador en línea visitando www.weber.com

Weber-Stephen Products Co. (Weber) le garantiza por este medio al COMPRADOR ORIGINAL de este asador de gas Weber® que el mismo estará libre defectos en cuanto a materiales y a mano de obra a partir de la fecha de compra según lo siguiente:

Piezas coladas de aluminio,	5 años, la pintura 1 año excluyendo el desvanecimiento o decoloración
Partes termoplásticas/termocuradas,	5 años excepto por decoloración
Todas las demás partes	2 años cuando se ensamblan y operan de acuerdo con las instrucciones impresas que lo acompañan.

cuando se ensambla y opera de acuerdo a las instrucciones impresas que lo acompañan.

Weber pudiese requerir prueba razonable de la fecha de compra. POR LO TANTO, DEBERÁ GUARDAR SU RECIBO O FACTURA DE VENTA.

Esta garantía limitada está limitada a la reparación o reemplazo de piezas que se resultasen defectuosas bajo uso y servicio normal y las cuales al examinarse indiquen, a la plena satisfacción de Weber, de que efectivamente son defectuosas. Antes de devolver cualquier parte, contacte al Representante de Atención al Cliente en su área, cuya información de contacto la encontrará en nuestro sitio web. Si Weber confirma el defecto y aprueba el reclamo, ésta elegirá entre reparar o reemplazar tal pieza sin cargo alguno. Si usted tiene que retornarnos las partes defectuosas, los gastos de transporte deben ser prepagados. Weber retornará las partes al comprador con transporte o franqueo prepagado.

Esta Garantía Limitada no cubre ninguna falla o problema de operación a causa de accidentes, abuso, mal uso, alteración, uso en aplicaciones indebidas, vandalismo, instalación inapropiada o mantenimiento o servicio inapropiados, o por no llevar a cabo el mantenimiento normal y rutinario, entre los que se incluyen, pero sin limitación, los daños causados por insectos dentro de los tubos quemadores, según se detalla en este manual del propietario.

Esta Garantía Limitada no cubre el deterioro o daños a causa de condiciones de tiempo inclementes tales como granizo, huracanes, terremotos o tornados ni tampoco la decoloración por exposición a sustancias químicas bien sea por contacto directo o por las mismas contenidas en la atmósfera.

No existen ningunas otras garantías expresas que no sean las acá indicadas y cualesquiera garantías implícitas de comerciabilidad y aptitud de uso están limitadas en duración al tiempo de cobertura de esta expresa Garantía Limitada por escrito. Algunas regiones no permiten limitación alguna en el tiempo que una garantía implícita pueda durar, por lo que esta limitación pudiera no aplicarle a usted.

Weber no se hace responsable de cualesquier daños especiales, indirectos o emergentes. Algunas regiones no permiten la exclusión o limitación de daños incidentales o emergentes, por lo que esta limitación o exclusión pudieran no aplicarle a usted.

Weber no autoriza a persona o empresa alguna a asumir a nombre de ella ninguna obligación o responsabilidad en relación con la venta, instalación, uso, retiro, devolución o reemplazo de sus equipos, y ninguna tal representación será vinculante para Weber.

Esta Garantía aplica solo a aquellos productos vendidos al por menor.

WEBER-STEPHEN PRODUCTS CO.

Customer Service Center
1890 Roselle Road, Suite 308
Schaumburg, IL 60195
USA

Para partes de repuesto llame a:

1-800-446-1071
www.weber.com®

PARA COMPRAS HECHAS EN MÉXICO: FOR PURCHASES MADE IN MÉXICO:

Weber-Stephen Products S.A. de C.V.
Av. López Mateos Sur No. 2077, Local 29
Col. Chapalita 44510
Guadalajara, Jalisco
Teléfono –a (33) 31 22 12 23
R.F.C. WPR 030919 ND4

La barbacoa de gas Weber® es un aparato transportable para cocinar al aire libre. Con la barbacoa de gas Weber® usted puede asar a la parrilla, a la barbacoa, al horno y hornear con unos resultados que son difíciles de duplicar con los aparatos de cocina de casa. La tapa cerrada y las barras Flavorizer® le dan a los alimentos ese sabor a "aire libre".

La barbacoa de gas Weber® es portátil por lo que usted puede reubicarla fácilmente de sitio en su jardín o patio. La portabilidad significa que, si usted se muda, se puede llevar su barbacoa de gas Weber® consigo.

El suministro de gas propano licuado es fácil de usar y le da más control al cocinar que el carbón.

- Estas instrucciones le indicarán los requisitos mínimos para ensamblar la barbacoa de gas Weber®. Por favor lea cuidadosamente las instrucciones antes de utilizar la barbacoa de gas Weber®. Un ensamblaje incorrecto puede ser peligroso.
- No debe ser usada por niños.
- Si hubiese códigos locales que aplicasen para las barbacoas de gas portátil, usted deberá acatarlas. La instalación debe cumplir con los códigos locales o, en ausencia de estos, bien sea con el "Código nacional de gas combustible", ANSI Z223.1/NFPA 54, el "Código de instalaciones de gas natural y propano", CSA B149.1, o el "Código de manipulación y almacenaje de propano", B149.2, o la "Norma para vehículos recreativos", ANSI A 119.2/NFPA 1192, y CSA Z240 RV Series, "Código para vehículos recreativos", según corresponda.
- Debe usarse el regulador de presión suministrado con la barbacoa de gas Weber®. Este regulador está ajustado para una presión de 10.5 pulgadas de columna de agua.
- Esta barbacoa de gas Weber® está diseñada para ser usada solamente con gas propano licuado (LP). No la use con gas natural (suministrado a través de tuberías en las ciudades). Las válvulas, los orificios, la manguera y regulador son solamente aptos para gas propano licuado.
- No la use con carbón.
- Asegúrese de que el área debajo del panel de control y la bandeja inferior no tenga desechos que pudiesen obstruir el flujo de aire de combustión o de ventilación.
- Las áreas alrededor del cilindro de gas de propano licuado deben estar libres y sin acumulación de desperdicios.
- Los reguladores de presión y ensambles de manguera de reemplazo deben ser los especificados por Weber-Stephen Products Co.

PARA SU INSTALACIÓN EN CANADÁ

Estas instrucciones, aunque de manera general son aceptables, no necesariamente cumplen con los códigos de instalación canadienses, en particular en lo que respecta a tuberías bajo y sobre tierra. En Canadá, la instalación de este artefacto debe cumplir con los códigos locales y/o la Norma CSA-B149.2 ("Código de manipulación y almacenaje de propano").

OPERACIÓN DE LA BARBACOA

- ⚠ **ADVERTENCIA:** Sólo use esta barbacoa al aire libre en un área bien ventilada. No la use en un garaje, edificio, pasadizo techado o en cualquier otra área cerrada.
- ⚠ **ADVERTENCIA:** Mantenga las aberturas de ventilación de la caja del cilindro libres de obstrucciones y limpias.

- ⚠ **ADVERTENCIA:** La barbacoa de gas Weber® no deberá usarse debajo de un techo combustible.
- ⚠ **ADVERTENCIA:** La barbacoa de gas Weber® no ha sido diseñada para instalarse en o sobre vehículos y/o botes recreativos.
- ⚠ **ADVERTENCIA:** No utilice la barbacoa con la parte superior, inferior, posterior, o lateral de la parrilla a menos de 24 pulgadas (60 cm) de distancia de materiales combustibles.
- ⚠ **ADVERTENCIA:** La caja de cocción entera se calienta al usarse. No la deje desatendida.
- ⚠ **ADVERTENCIA:** Mantenga a cualquier cordón eléctrico y a la manguera de suministro de gas alejados de toda superficie caliente.
- ⚠ **ADVERTENCIA:** Mantenga el área de cocinar libre de vapores y líquidos inflamables tales como gasolina, alcohol, etc. y de materiales combustibles.
- ⚠ **ADVERTENCIA:** Nunca almacene cilindros de propano licuado extra (de repuesto) debajo o cerca de la barbacoa de gas Weber®.
- ⚠ **ADVERTENCIA:** El cilindro de propano licuado usado con la barbacoa debe contar con un "Dispositivo de prevención de sobrellenado" (OPD, por sus siglas en inglés) y una conexión QCC1 o tipo 1 (CGA810). La conexión del cilindro debe ser compatible con la de la barbacoa.

ALMACENAJE Y/O SIN USO

- La válvula de gas en el cilindro de propano licuado debe mantenerse cerrada mientras la barbacoa de gas Weber® esté sin usarse.
- Cuando la barbacoa de gas Weber® esté almacenada bajo techo, el suministro de gas debe DESCONECTARSE y el tanque de propano licuado debe guardarse al aire libre en un espacio bien ventilado.
- El cilindro de propano licuado debe guardarse al aire libre en un área bien ventilada fuera del alcance de los niños. El cilindro desconectado de propano licuado no debe almacenarse dentro de ninguna edificación, garaje o área cerrada.
- Cuando el cilindro de propano licuado no esté desconectado de la barbacoa de gas Weber®, el artefacto junto con el tanque de propano licuado deberán mantenerse al aire libre en un espacio bien ventilado.
- La barbacoa de gas Weber® debe revisarse antes de usarse para verificar de que no tenga fugas de gas ni obstrucciones en los tubos de los quemadores. (Vea la sección: "Mantenimiento/Mantenimiento anual").
- Asegúrese de que el área debajo del panel de control y la bandeja inferior no tengan desechos que pudiesen obstruir el flujo de aire de combustión o de ventilación.
- También deberá revisarse que la malla contra arañas e insectos no esté obstruida. (Vea la sección: "Mantenimiento/Mantenimiento anual").

⚠ **ATENCIÓN:** Este producto ha pasado pruebas de seguridad y está certificado para su uso en un país específico. Consulte el nombre del país que se encuentra en la caja exterior.

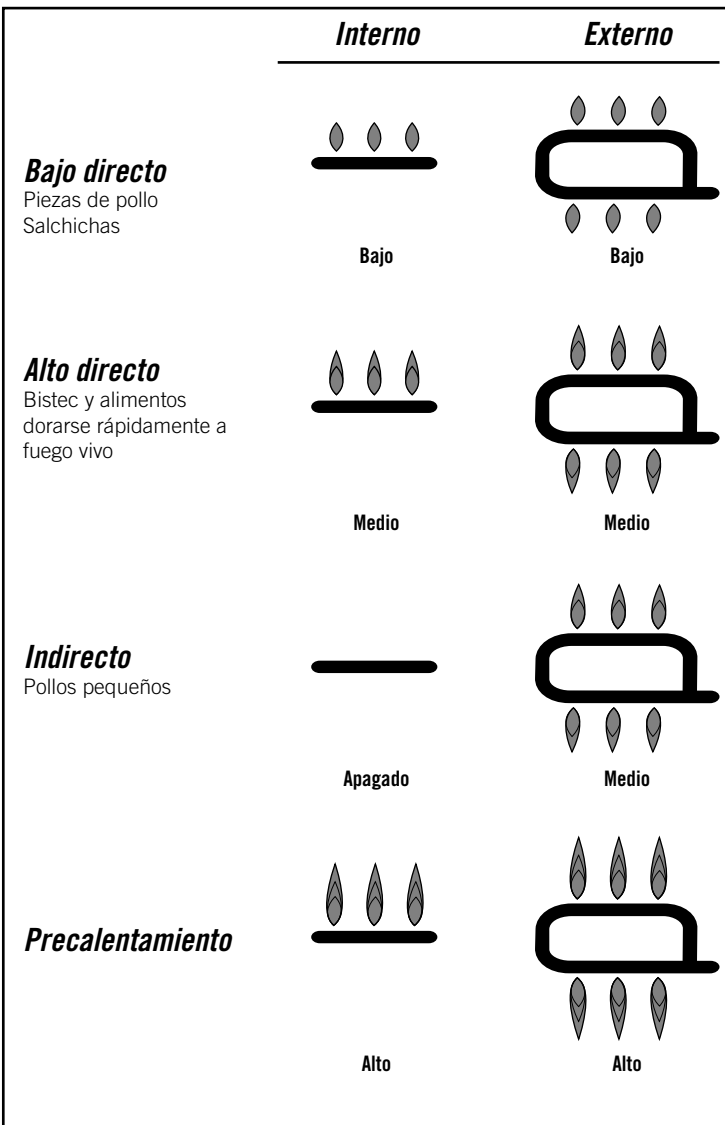
Estas piezas pueden ser componentes que transportan o queman gas. Póngase en contacto con Weber-Stephen Products Co., Departamento de servicio al cliente, para obtener información sobre piezas de repuesto originales de Weber-Stephen Products Co.

⚠ **ADVERTENCIA:** No intente reparar componentes que transportan o queman gas sin ponerse en contacto con Weber-Stephen Products Co., Departamento de servicio al cliente. Sus acciones, si no sigue las advertencias de este producto, pueden provocar incendios o explosiones que pueden producir daños personales graves o la muerte, así como daños materiales.

PARA COCINAR

⚠ NOTA IMPORTANTE: No mueva el asador de gas Weber® mientras esté en operación o esté caliente.

Puede ajustar los quemadores a su gusto. Los ajustes de control: Alto (H), Medio (M), Bajo (L) o Apagado (O) están descritos en su recetario Weber®. El recetario usa estas siglas para describir los ajustes a los quemadores INTERNOS y EXTERNOS. Por ejemplo, para dorar bistés, deberá ajustar ambos hornos en la posición H (alto). Una vez dorados, para terminar de cocinarlos, ajustará el quemador EXTERNO a la posición M (medio). Refiérase a su libro de recetas Weber® para las instrucciones detalladas sobre cómo cocinar con el asador o vaya a nuestro sitio web www.weber.com.



Nota: La temperatura dentro de la caja de cocción durante las primeras ocasiones en que se use, cuando las superficies sean todavía demasiado reflectoras, podrá estar más caliente de lo que se indica en su libro de recetas. Las condiciones ambientales bajo las que se esté cocinando, tales como el viento y el tiempo, pueden hacer que se requieran ajustes a los controles de los quemadores para obtener las temperaturas de cocción correctas.

Pre calentamiento - Su asador de gas Weber® es un artefacto que usa la energía eficientemente. Éste opera a una baja tasa de consumo calorífico. Para precalentar: después de encender, cierre la tapa y gire los quemadores a alto (H). El precalentar a una temperatura entre 500° y 550° F (260° y 290° C) tardará de 10 a 15 minutos dependiendo de tales condiciones como la temperatura del aire y el viento.

El pringue y la grasa - Un exceso de pringue y grasa se acumulará en el plato recolector debajo de la caja de cocción. Hay disponibles bandejas de goteo desechables que caben en el plato recolector.

⚠ NOTA IMPORTANTE: Antes de cada uso, verifique que no haya grasa acumulada en la bandeja de goteo. Retire el exceso de grasa para evitar que se incendie el plato recolector.

LIMPIEZA

⚠ NOTA IMPORTANTE Apague su asador de gas Weber® y espere a que enfríe antes de limpiar.

Para obtener rejillas de cocinar de reemplazo contacte al Representante de Servicio a los Clientes en su región usando la información de contacto en nuestro sitio en la Internet. Conéctese a www.weber.com.

Superficies externas - Utilice una solución de agua jabonosa tibia para limpiarlas y luego enjuáguelas con agua.

⚠ NOTA IMPORTANTE: No utilice sobre la superficie del asador o del carro limpiadores de horno, limpiadores abrasivos (limpiadores de cocinas), limpiadores que contengan productos cítricos, o almohadillas de limpieza abrasivas.

Deslice la bandeja del fondo hacia afuera - Retire el exceso de grasa, luego lávela con agua jabonosa tibia y finalmente enjuáguela.

Rejilla de cocción - Límpiela con un cepillo de cerda de latón adecuado. Según se requiera, retírela del asador y lávela con agua jabonosa tibia y luego enjuáguela con agua.

Plato recolector - Hay disponibles bandejas desechables de lámina de metal, o usted mismo puede forrar el plato recolector con papel aluminio. Para limpiar el plato recolector, lave con agua jabonosa tibia y luego enjuague.

Caja de cocción interna - Quite cualquier resto de los tubos del quemador **NO AGRANDE LAS ABERTURAS DE LOS QUEMADORES** Lave la parte interior de la caja de cocción con agua jabonosa y luego enjuáguela con agua.

Tapa interna - Mientras la tapa este tibia, limpie la parte interna con una toalla de papel para prevenir la acumulación de grasa. La grasa acumulada escamada se asemeja a las escamas de pintura.

Mesas de trabajo basculantes - Lávelas con un trapo suave y una solución de agua y jabón.

No utilice limpiadores que contengan ácido, destilado de petróleo o xileno. Enjuáguelas bien después de lavarlas.

Las mesas de trabajo desplegadas no deberán usarse como planchas de corte.

INFORMACIÓN IMPORTANTE SOBRE EL CILINDRO DE PROPANO LICUADO

El no acatar estrictamente estos avisos de **PELIGRO** pudiera resultar en un fuego letal o causar lesiones serias.

Weber® recomienda el uso de cilindros fabricados por las empresas Manchester y Worthington, con una capacidad de 47.6 libras de agua. Otros cilindros pudieran ser aceptables para su uso con este artefacto siempre y cuando sean compatibles con el mecanismo de retención del artefacto (vea la Ilustración para detallar el punto de contacto del mecanismo de retención).

⚠PELIGRO

⚠ NUNCA almacene un cilindro de gas propano licuado de reserva debajo o cerca de este asador.

⚠ NUNCA llene el tanque más allá de un 80% lleno.
Si no se siguen estas instrucciones de manera precisa, puede ocurrir un fuego con consecuencias letales o causante de lesiones serias.

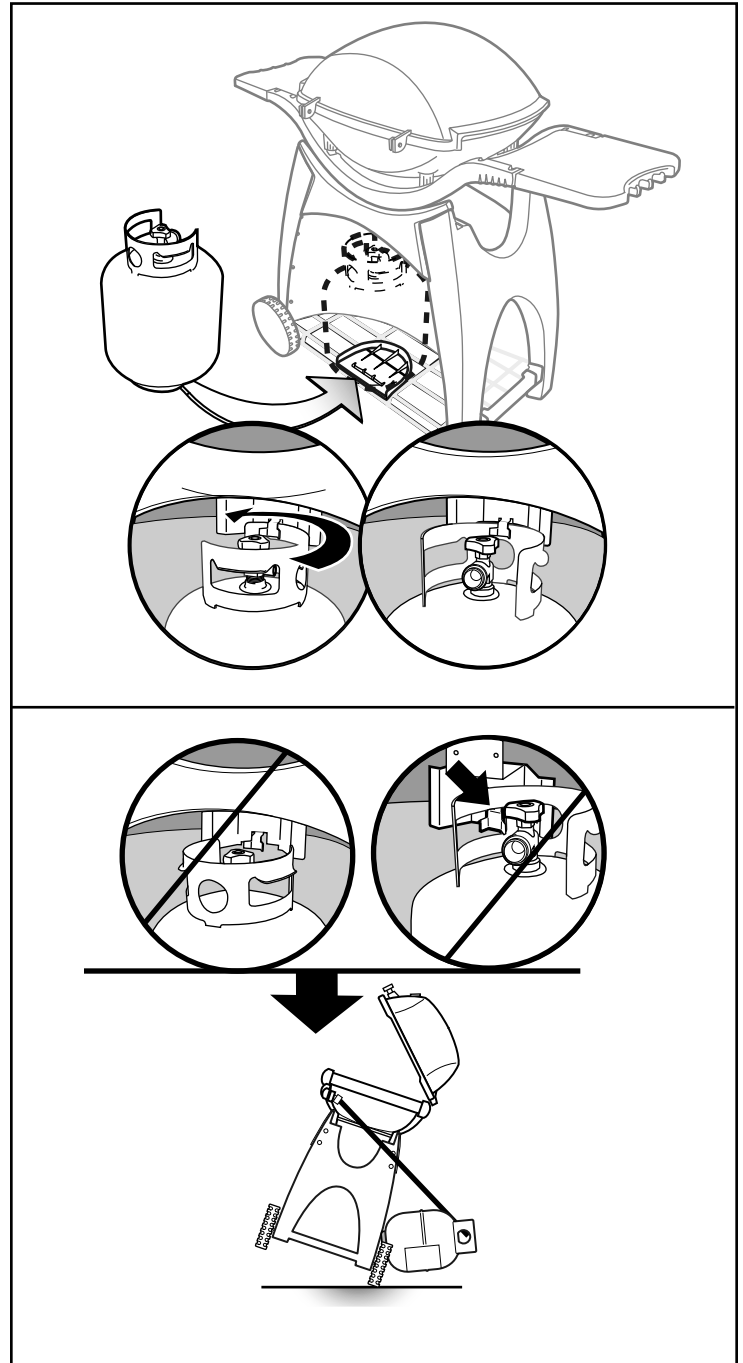
Su asador de gas Weber® está equipado para usarse con un sistema de suministro desde cilindros diseñado para el retiro del vapor.

⚠ NOTA IMPORTANTE: Solamente use este asador en un área bien ventilada al aire libre. No lo use en un garaje, edificio, pasadizo techado o en cualquier otra área cerrada.

Las maneras correctas para llenar su cilindro son por peso o por volumen, según se describe en la norma NFPA-58. Por favor asegúrese de que su estación de llenado llene su cilindro de gas propano licuado midiendo el peso o el volumen. Pídale al personal de la estación de llenado que lean las instrucciones sobre cómo purgar y llenar el cilindro de gas propano licuado antes de tratar de llenarlo.

MONTE EL CILINDRO

Vea la ilustración:



CÓMO CONECTAR EL CILINDRO DE PROPANO LICUADO

⚠ **ADVERTENCIA:** Asegúrese de que la válvula del cilindro de propano licuado esté cerrada. Círrrela girándola hacia la derecha.

⚠ PELIGRO

No utilice una llama abierta para comprobar si existen fugas de gas. Asegúrese de que no haya chispas o llamas abiertas en el área mientras comprueba si existen fugas. Chispas o llamas causarían un fuego o explosión, las cuales pueden causar serias lesiones corporales o la muerte, y daños a la propiedad.

Para conectar la manguera al cilindro:

⚠ **ADVERTENCIA:** La manguera debe sujetarse a la pata del carro usando el clip de retención. El no hacerlo pudiera causar un fuego o explosión, resultando en lesiones corporales o la muerte y en daños a la propiedad.

- 1) Retire la cubierta antipolvo de plástico de la válvula del tanque.
- 2) Enrosque el cople de la manguera a la válvula del tanque, en el sentido de las agujas del reloj o hacia la derecha. Sólo apriete a mano.

Nota: Este es un nuevo tipo de conexión. Se aprieta hacia la derecha y no permitirá que el gas fluya a menos que la conexión esté apretada. La conexión sólo requiere apretarse a mano.

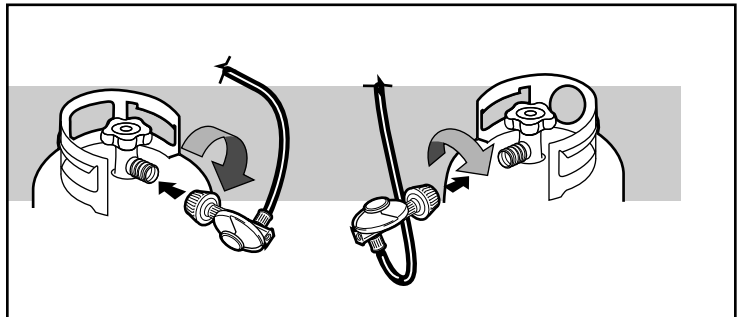
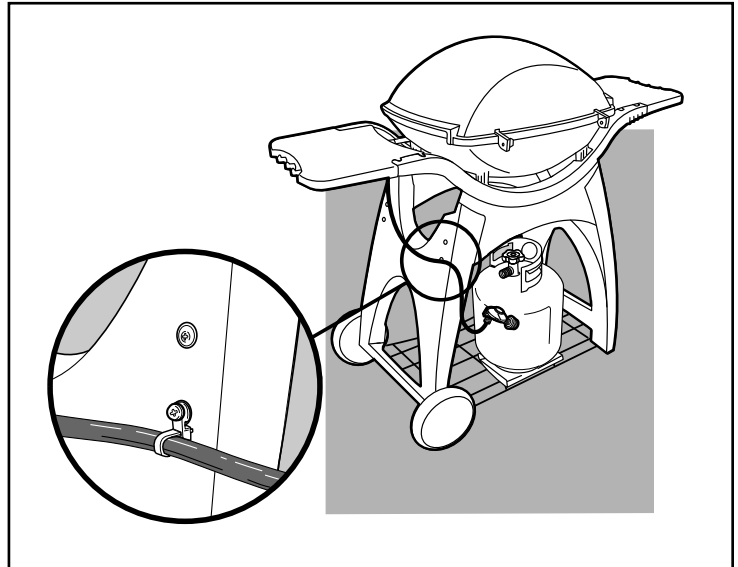
⚠ **ADVERTENCIA:** No use una llave para apretar la conexión. Si usa una llave, podría dañar el cople del regulador y causar una fuga.

COMPRUEBE QUE NO HAYA FUGAS DE GAS

VERIFIQUE QUE TODAS LAS VÁLVULAS DE LOS QUEMADORES ESTÉN CERRADAS

Verifíquelo empujando la perilla de control hacia abajo y girando hacia la derecha. Confirme que la perilla está colocada en la posición indicadora "OFF". Proceda al paso siguiente. Si la perilla de control girase, continúe girándola hacia la derecha hasta que se pare. Ahora sí está en la posición cerrada. Proceda al paso siguiente.

- ⚠ **ADVERTENCIA:** Cada vez que conecte o desconecte una conexión de gas, deberá verificar que no hayan fugas de gas.
- ⚠ **ADVERTENCIA:** Lleve a cabo estos chequeos de fugas aun y cuando su asador haya sido ensamblado por el distribuidor o en la tienda donde la compró.
- ⚠ **ADVERTENCIA:** No encienda los quemadores mientras esté verificando la existencia de fugas.



⚠ PELIGRO

No utilice una llama abierta para comprobar si existen fugas de gas. Asegúrese de que no haya chispas o llamas abiertas en el área mientras comprueba si existen fugas. Chispas o llamas causarían un fuego o explosión, las cuales pueden causar serias lesiones corporales o la muerte, y daños a la propiedad.

- 1) Mezcle agua y jabón.
- 2) Abra la válvula del cilindro girando su manubrio hacia la izquierda.
- 3) Verifique que no existan fugas mojando las conexiones con la solución de agua y jabón y viendo si se generan burbujas. Si se forman burbujas, o si una burbuja crece, es que hay una fuga.

Si hay una fuga, cierre el gas y apriete la conexión. Abra el gas de nuevo y con la solución de jabón y agua vuelva a verificar que no existan fugas.

Si la fuga no se detiene, contacte a su Representante de Servicios al Cliente en su área usando la información de contacto en nuestro sitio web. Conéctese a www.weber.com.

No utilice el asador.

- 4) Cuando se haya completado la comprobación de las fugas de gas, CIERRE el suministro de gas en la fuente y enjuague las conexiones con agua.

⚠ ADVERTENCIA: No encienda los quemadores mientras esté verificando la existencia de fugas.

Comprobación:

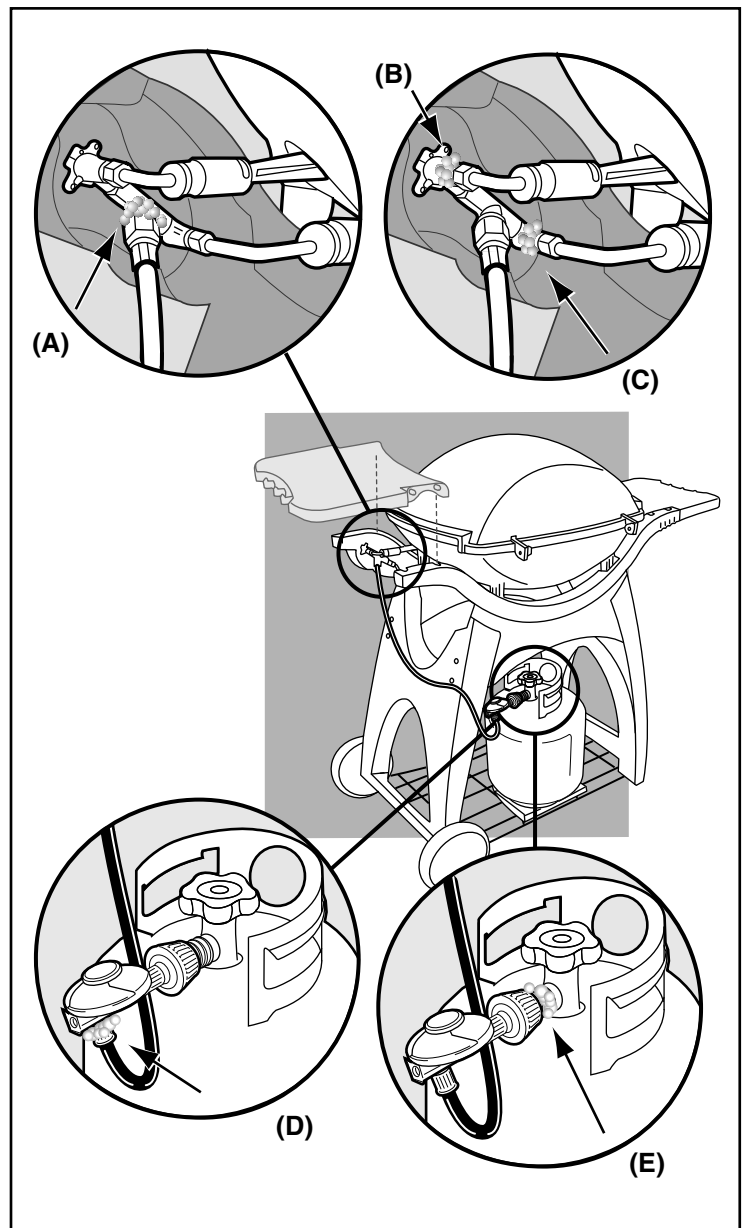
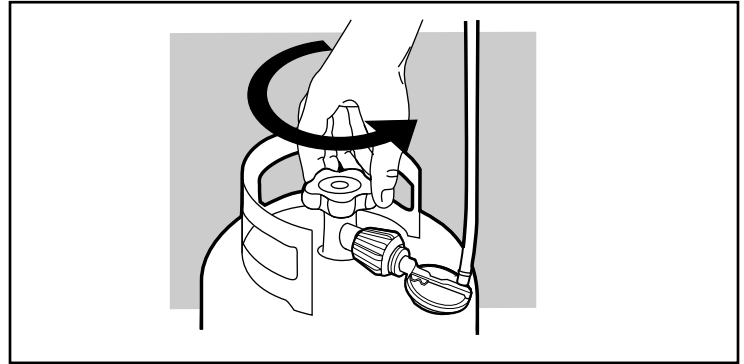
- A) Conexión de la manguera desde la válvula al regulador.
- B.) Conexión de la línea de gas desde la válvula al quemador externo.
- C.) Conexión de la línea de gas desde la válvula al quemador interno.

⚠ ADVERTENCIA: Si hubiese una fuga en las conexiones (A, B, o C), CIERRE el suministro de gas. NO OPERE EL ASADOR. Contacte al Representante de Atención al Cliente usando la información de contacto en nuestro sitio web. Conéctese a www.weber.com.

Comprobación:

- D.) Conexión de la manguera al regulador
- E.) Conexión del regulador al cilindro de propano

⚠ ADVERTENCIA: Si hay una fuga en la conexión (C), retire el cilindro de propano. No opere el asador. Utilice un cilindro de propano diferente y vuelva a verificar que no haya fugas usando una solución de agua y jabón. Si una fuga persiste aun después de volver a apretar la conexión al cilindro de propano, CIERRE el gas. NO OPERE EL ASADOR. Contacte al Representante de Atención al Cliente usando la información de contacto en nuestro sitio web. Conéctese a www.weber.com.



CÓMO RECARGAR EL CILINDRO DE PROPANO LICUADO

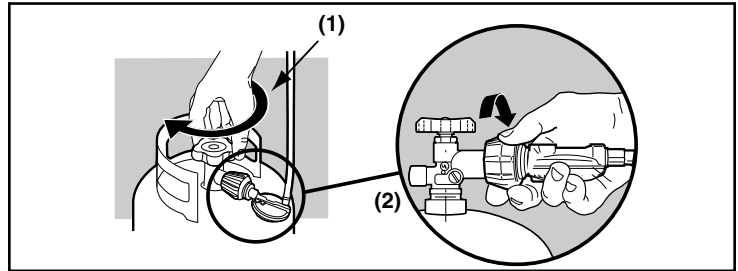
Le recomendamos que llene su cilindro de gas propano licuado antes de que éste se vacíe por completo.

Cómo retirar el cilindro de gas propano licuado

- 1) Cierre la válvula del tanque (gire hacia la derecha).
- 2) Desenrosque el adaptador girándolo hacia la izquierda, y solamente a mano.
- 3) Retire el cilindro de gas propano licuado del soporte del tanque haciendo girar al cilindro.
- 4) Levante el cilindro del soporte.

Para recargarlo, lleve el cilindro de gas propano licuado a un distribuidor de "Gas Propano".

⚠ ADVERTENCIA: Recomendamos llenar su cilindro de gas propano licuado con un distribuidor de gas propano autorizado que tenga un encargado debidamente calificado y que llene el tanque en base a peso. EL LLENADO INCORRECTO ES PELIGROSO.



⚠ PRECAUCIÓN: Coloque la tapa guardapolvo sobre la salida de la válvula del cilindro siempre que este último no esté en uso. Solamente instale el tipo de tapa guardapolvo proporcionado con la válvula del cilindro. Otros tipos de tapas o taponos pueden resultar en fugas de propano.

SUGERENCIAS PARA EL MANEJO SEGURO DE LOS CILINDROS DE GAS PROPANO LICUADO

- El gas propano licuado es un producto petrolero al igual que lo son la gasolina y el gas natural. El propano es un gas a temperaturas y presiones normales. Bajo presión moderada, dentro de un cilindro, el gas propano es un líquido. En la medida en que se libera la presión, el líquido se evapora fácilmente y se convierte en gas.
- El gas propano tiene un olor similar al gas natural. Usted deberá estar al tanto de este olor.
- El gas propano es más pesado que el aire. El gas propano proveniente de una fuga puede acumularse en áreas bajas y prevenir su dispersión.
- Para llenar un cilindro de gas propano, llévalo a un expendedor de gas propano, o busque a otros suplidores bajo "gas propano" en el directorio telefónico.

⚠ ADVERTENCIA: Recomendamos llenar su cilindro de gas propano licuado con un distribuidor de gas propano autorizado que tenga un encargado debidamente calificado y que llene el tanque en base a peso. EL LLENADO INCORRECTO ES PELIGROSO.

- Antes de su llenado inicial, el aire debe ser retirado de todo cilindro nuevo de propano licuado. Los distribuidores de propano licuado están equipados para hacerlo.
- El cilindro de propano licuado debe instalarse, transportarse y almacenarse en una posición parada. Los cilindros de propano licuado no deben dejarse caer o manipularse de manera brusca.
- Nunca almacene o transporte los cilindros de propano licuado en sitios donde la temperatura alcance los 125 ° F (52 ° C) (demasiado caliente para sostenerlo con la mano - por ejemplo: no deje un cilindro de gas propano dentro de un carro en un día caluroso).

Nota: Una llenada durará alrededor de 18 -20 horas de tiempo de cocción bajo uso normal. La escala de combustible indica el suministro de propano disponible de manera que pueda volver a llenar el tanque antes de éste vaciarse. No necesita vaciar el tanque completamente antes de volver a llenarlo.

- Trate a los cilindros de propano licuado "vacíos" con el mismo cuidado que cuando están llenos. Aun cuando el tanque de gas propano no contenga líquido todavía puede haber presión del gas en el cilindro. **Siempre cierre la válvula del cilindro antes de desconectarlo.**

⚠ PRECAUCIÓN: Siempre que el cilindro esté sin usarse, coloque la capucha antipolvo sobre la salida de la válvula del mismo. Sólo instale sobre la salida de la válvula el tipo de capucha antipolvo con la que vino provista la misma. Otros tipos de capuchas o taponos pudieran causar fugas de propano.

- No use ningún cilindro de propano licuado dañado. Cilindros de propano licuado abollados u oxidados o con la válvula dañada son peligrosos y deberán reemplazarse por uno nuevo inmediatamente.

Cilindro(s) de propano licuado

- Cada vez que se reconecte un cilindro de propano licuado, se debe revisar que la unión por donde se conecta la manguera al cilindro no presente fugas. Por ejemplo, haga la prueba cada vez que se llena el cilindro de propano licuado.

- Asegúrese de que el regulador esté montado con el pequeño agujero respiradero viendo hacia abajo de manera que no se acumule agua en él. Este respiradero debe mantenerse libre de sucio, grasa, insectos, etc.
- Las conexiones de gas suministradas con la barbacoa de gas Weber® han sido diseñadas para cumplir en un 100% con los requisitos de las normas CSA y ANSI.

⚠ ADVERTENCIA: Lo tanques de propano licuado de reemplazo deben tener conexiones compatibles con la del regulador suministrado con esta barbacoa.

Requisitos de los cilindros de propano licuado

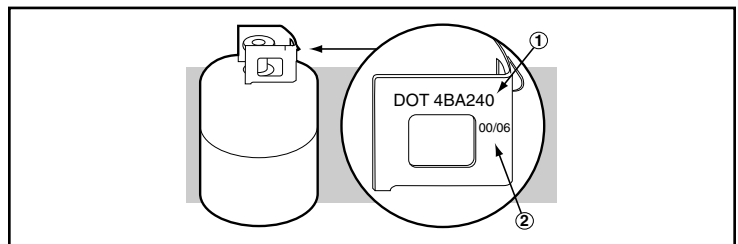
- Asegúrese de que los cilindros tengan una certificación del D.O.T. (Departamento de Transporte) (1), y que la fecha en que fueron probados (2) no sea de más de cinco años atrás. Su proveedor de propano licuado puede hacerlo por usted.
- Todos los sistemas de tanques de suministro de propano licuado deben incluir un collar que proteja la válvula del cilindro.
- El cilindro de gas debe tener un tamaño aproximado de 20 lb.. (18¼ pulgadas de alto, 12¼ pulgadas de diámetro).
- Los cilindros deben construirse y marcarse de acuerdo con las "Especificaciones para cilindros de gas propano licuado" del Departamento de Transporte (D.O.T.) de los EE.UU. o la Norma Nacional Canadiense "CAN/CSA-B339, Cilindros, esferas y tubos" o "Transporte de bienes peligrosos"; y Comisión, según aplique.

En Canadá

Requisitos de los cilindros de propano licuado

Nota: Su proveedor de venta al por menor puede ayudarle a buscar un tanque de reemplazo para su barbacoa.

- El cilindro de propano licuado debe estar construido y marcado de acuerdo con las especificaciones para cilindros de gas propano licuado, T.C.



ENCENDIDO

Las instrucciones resumidas de encendido están fijadas a la pata del carro ubicada debajo de las perillas de control (L).

⚠ PELIGRO

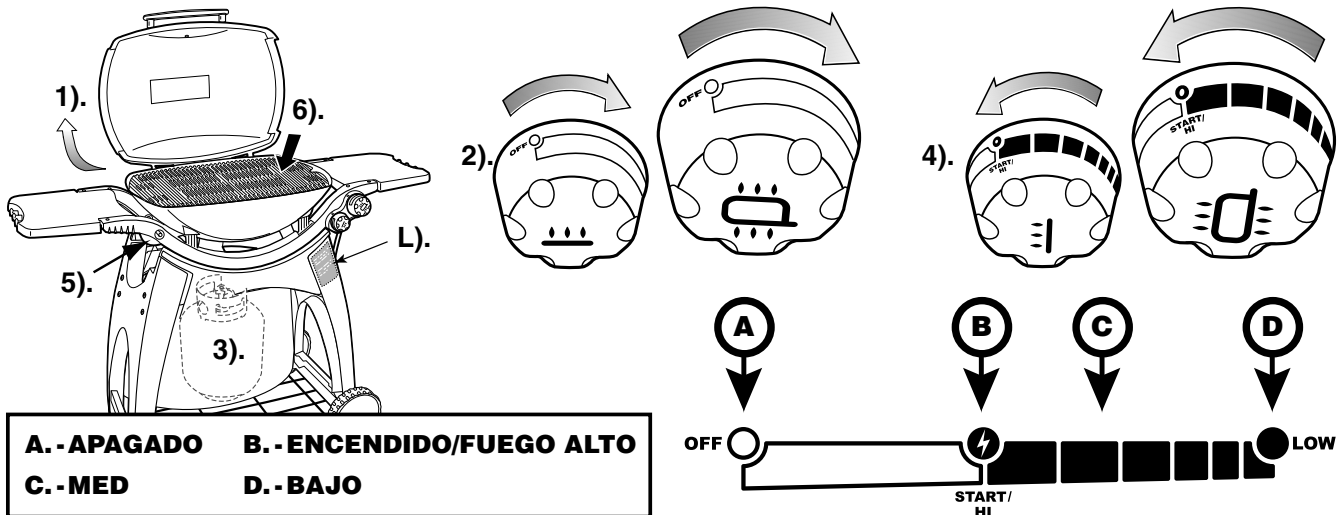
El no abrir la tapa mientras se esté encendiendo el quemador del asador, o no esperar 5 minutos para que el gas se disipe si el asador no se enciende, puede resultar en una llamarada explosiva, la cual puede causar lesiones corporales serias o la muerte.

⚠ NOTA IMPORTANTE: Inspeccione la manguera previo a cada uso del asador y asegúrese de que no tenga muescas,

grietas, abrasiones o cortes. Si se encontrase que la manguera estuviese dañada de cualquier forma, no utilice el asador. Reemplácela solamente con una manguera de repuesto autorizada por Weber®. Contacte al Representante de Atención al Cliente usando la información de contacto en nuestro sitio web. Conéctese a www.weber.com®

Sistema de encendido

Nota - El sistema de encendido enciende a los quemadores mediante una chispa del electrodo de ignición ubicado dentro de la cámara de encendido. Usted genera la energía para la chispa pulsando el botón de encendido hasta que haga clic.



- 1) Abra la tapa
- 2) Asegúrese de que todas las perillas de control del quemador estén en la posición OFF (apagada) (Empuje la perilla de control hacia adentro y gire en dirección de las manecillas del reloj para asegurarse que esté en la posición OFF (apagada).

⚠ ADVERTENCIA: Las perillas de control del quemador deberán estar en la posición OFF (APAGADA) antes de abrir la válvula del tanque de propano licuado. Si no están en la posición OFF (APAGADA) cuando abra la válvula del tanque de propano licuado, el control de exceso de flujo se activará y limitará el flujo de gas desde el tanque de propano licuado. Si esto llegase a ocurrir, cierre la válvula del tanque de propano y las perillas de control del quemador y empiece de nuevo.

⚠ PELIGRO:

Cuando se activa el control de exceso de flujo una pequeña cantidad de gas sigue fluyendo a los quemadores. Después de cerrar la válvula del tanque y las perillas de control del quemador, espere por lo menos 5 minutos para que el gas se disipe antes de tratar de encender el asador. El no hacer esto podría resultar en una llamarada explosiva que pudiera causar lesiones corporales serias o la muerte.

- 3) Abra el suministro de gas girando lentamente la válvula del cilindro en dirección contraria a las manecillas del reloj. Espere 60 segundos.
- ⚠ ADVERTENCIA:** No se recueste sobre el asador abierto mientras lo esté encendiendo.
- 4) Empuje la perilla de control del quemador hacia adentro y gire hacia START/HI (encendido/alto).
- 5) Pulse el botón rojo de encendido, de manera que haga "clic" cada vez. Repita si fuese necesario.
- 6) Viendo a través de la rejilla de cocinar, verifique que el quemador esté encendido. Deberá ver una llama.
- ⚠ ADVERTENCIA:** Si el quemador no se enciende, gire la perilla del control del quemador a la posición OFF (apagado) y espere 5 minutos para permitir que el gas se disipe antes de tratar de nuevo o de tratar de encenderlo con una cerilla.
- 7) Una vez se haya encendido el quemador Externo ya podrá encender el quemador Interno. El quemador Interno se enciende a partir del quemador Externo

PARA APAGAR

Presione hacia abajo y gire la perilla de control del quemador en dirección de las manecillas del reloj a la posición OFF (apagado). Cierre el suministro de gas en la fuente del mismo.

ENCENDIDO MANUAL

⚠ PELIGRO

El no abrir la tapa mientras se esté encendiendo el quemador del asador, o no esperar 5 minutos para que el gas se disipe si el asador no se enciende, puede resultar en una llamarada explosiva, la cual puede causar lesiones corporales serias o la muerte.

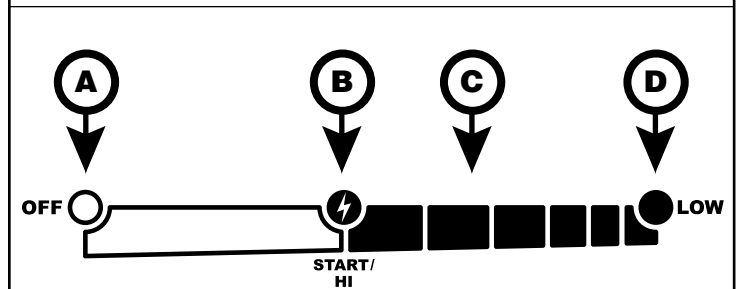
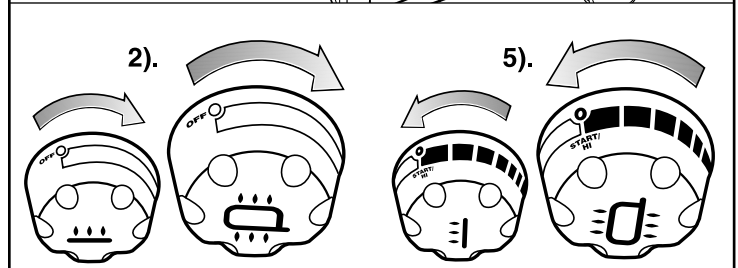
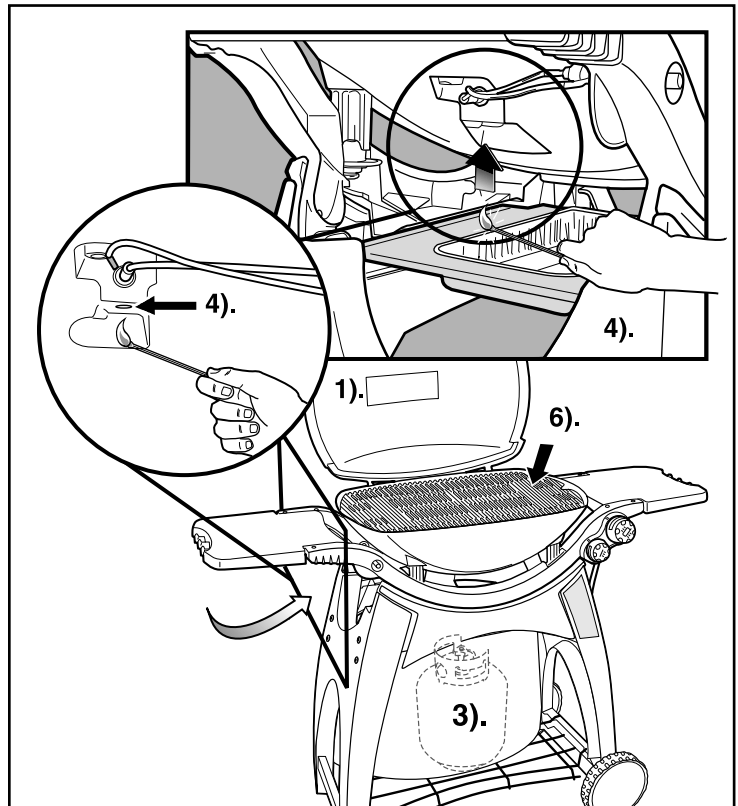
- 1) Abra la tapa.
- 2) Asegúrese de que todas las perillas de control del quemador estén en la posición OFF (apagadas) (Presione cada perilla hacia abajo y gire hacia la derecha para asegurarse de que estén apagadas).

⚠ **ADVERTENCIA:** Las perillas de control del quemador deberán estar en la posición OFF (APAGADA) antes de abrir la válvula del tanque de propano licuado. Si no están en la posición OFF (APAGADA) cuando abra la válvula del tanque de propano licuado, el control de exceso de flujo se activará y limitará el flujo de gas desde el tanque de propano licuado. Si esto llegase a ocurrir, cierre la válvula del tanque de propano líquido y las perillas del control del quemador. Luego comience de nuevo.

⚠ PELIGRO

Cuando se activa el control de exceso de flujo, una pequeña cantidad de gas sigue fluyendo a los quemadores. Después de cerrar la válvula del tanque y las perillas de control del quemador, espere por lo menos 5 minutos para que el gas se disipe antes de tratar de encender el asador. El no hacer esto podría resultar en una llamarada explosiva que pudiera causar lesiones corporales serias o la muerte.

- 3) Abra el suministro de gas del cilindro girando la válvula del cilindro en dirección contraria a las manecillas del reloj. Espere 60 segundos.
- 4) Encienda una cerilla y coloque la llama en el orificio de encendido con cerilla debajo del encendedor.
- ⚠ **ADVERTENCIA:** No se recueste sobre el asador abierto mientras lo esté encendiendo.
- 5) Empuje la perilla de control del quemador hacia adentro y gire hacia START/HI (encendido/alto).
- 6) Viendo a través de la rejilla de cocinar, verifique que el quemador esté encendido. Deberá ver una llama.
- ⚠ **ADVERTENCIA:** Si el quemador no se enciende, gire la perilla del control del quemador Delantero a la posición OFF (apagado) y espere 5 minutos para permitir que el gas se disipe antes de tratar de nuevo.
- 7) Una vez se haya encendido el quemador Externo ya podrá encender el quemador Interno. El quemador Interno se enciende a partir del Externo.



A. - APAGADO B. - ENCENDIDO/FUEGO ALTO
C. - MED D. - BAJO

PARA APAGAR

Presione hacia abajo y gire la perilla de control del quemador en dirección de las manecillas del reloj a la posición OFF (apagado). Cierre el suministro de gas en la fuente del mismo.

PROBLEMA	REVISAR	REMEDIOS
Los quemadores queman con una llama amarilla o anaranjada, conjuntamente con un olor a gas.	Revise que no haya obstrucciones en la malla contra arañas y demás insectos. (Taponamiento de orificios.)	Limpie las mallas contra arañas y demás insectos. (Vea la sección: "Mantenimiento anual")
Síntomas: Los quemadores no se encienden. -o- Los quemadores presentan una llama pequeña y parpadeante en la posición HIGH (fuego alto). -o- La temperatura del asador no pasa más allá de 250° F (121°C) a 300° F (148°C) en la posición HIGH (fuego alto).	Puede haberse activado el dispositivo de seguridad de caudal excesivo, el cual es parte de la conexión del asador al cilindro.	Para restablecer el dispositivo de seguridad de caudal excesivo gire todos las perillas de control del quemador a la posición OFF (apagado) y cierra la válvula del cilindro. Desconecte el regulador del cilindro. Gire las perillas de control del quemador a la posición HIGH (fuego alto). Espere por lo menos 1 minuto. Gire las perillas de control a la posición OFF (Apagado). Vuelva a conectar el regulador del cilindro. Abra la válvula del cilindro lentamente. Refiérase a las "Instrucciones de encendido".
El quemador no enciende, o la llama se mantiene baja en la posición HIGH (fuego alto).	¿Está el tanque de propano licuado vacío o bajo de combustible?	Rellene el tanque de propano licuado.
	¿Está doblada la manguera de combustible?	Enderece la manguera de combustible.
	¿Se enciende el quemador externo con una cerilla?	Si usted puede encender el quemador externo con un cerillo, entonces revise el sistema de encendido.
Se producen llamaradas:	¿Está precalentando el asador de la manera prescrita?	Coloque a todos los quemadores en HIGH (fuego alto) durante 10 a 15 minutos para precalentar el asador.
	¿Están las rejillas de cocinar recubiertas con una capa gruesa de grasa quemada?	Límpielas a fondo. (Vea la sección "Limpieza".)
	¿Está "sucio" la bandeja del fondo y no deja que la grasa fluya al plato recolector?	Limpie la bandeja del fondo
El quemador produce llamas con un patrón errático. La llama se mantiene baja cuando el quemador está en HIGH (fuego alto). Las llamas no corren a lo largo de todo el tubo del quemador.	¿Están limpios los quemadores?	Limpie los quemadores. (Vea la sección de "Mantenimiento".)
La parte interna de la tapa pareciera estar "pelándose". (Se parece al desprendimiento de pintura.)	La tapa es de aluminio fundido y no está pintada. No puede "pelarse". Lo que está viendo es grasa asada que se ha convertido en carbón y se está descascarando. ESTO NO ES UN DEFECTO.	Límpielas a fondo. (Vea la sección "Limpieza".)
Si los problemas no pueden corregirse usando cualquiera de estos métodos, por favor contacte al Representante de Atención al Cliente en su área usando la información de contacto en nuestro sitio web. Conéctese a www.weber.com ®.		

MALLAS WEBER® CONTRA ARAÑAS Y DEMÁS INSECTOS

Su asador de gas Weber®, al igual que cualquier otro aparato de gas al aire libre, es un blanco para las arañas y demás insectos. Pueden crear sus nidos en la sección(1) del venturi del tubo quemador. Esto bloquea el flujo normal de gas, y puede causar que el gas fluya hacia atrás a través de la abertura del aire de combustión. Esto pudiera resultar en un fuego en y alrededor de las aberturas de aire de combustión, causando un daño serio al asador.

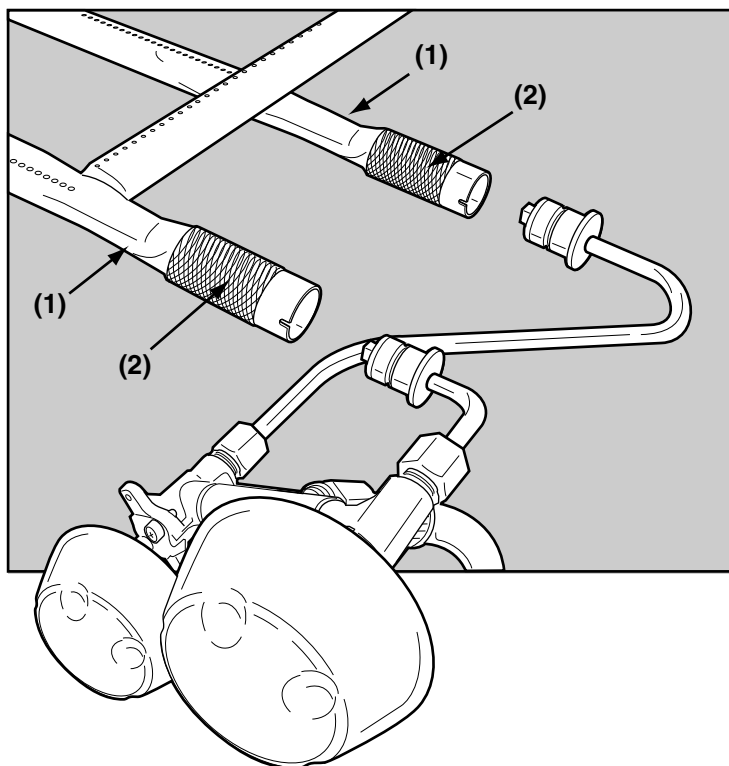
La abertura de aire de combustión del tubo quemador está provista de una malla de acero inoxidable(2) para prevenir que arañas y otros insectos entren a los tubos quemadores a través del orificio para el aire de combustión.

Le recomendamos que inspeccione las mallas contra arañas y demás insectos por lo menos una vez al año. (Vea la sección: "Mantenimiento anual") También deberá inspeccionar y limpiar estas mallas si alguno de los siguientes síntomas alguna vez llegasen a presentarse:

- 1) Olor a gas en conjunción con llamas del quemador con un apariencia muy amarilla y floja.
- 2) El asador no alcanza las temperaturas normales.
- 3) El asador no se calienta de manera uniforme.
- 4) Uno o más de los quemadores no se encienden.

⚠ PELIGRO

El no corregir estos síntomas pudiera resultar en un fuego que podría causar lesiones corporales serias o la muerte y daños a la propiedad.



MANTENIMIENTO ANUAL

Inspección y limpieza de las mallas contra arañas y demás insectos

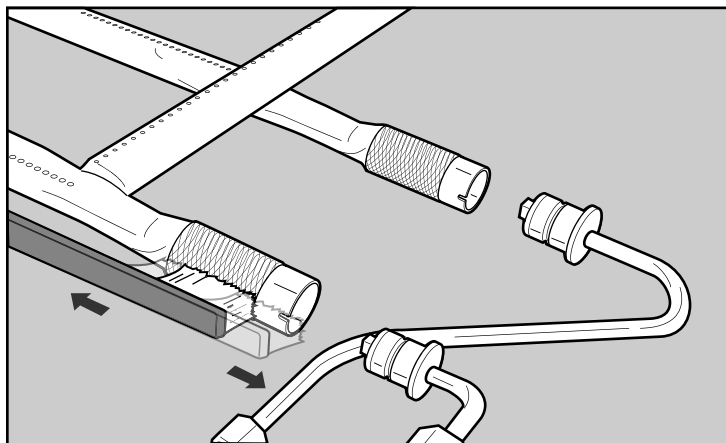
Para inspeccionar las mallas contra arañas y demás insectos, vea detrás de las perillas de control por debajo la mesa basculante. Si hubiese polvo o sucio sobre la malla, retire los quemadores para limpiar las mallas (Vea la sección "Reemplazo de los quemadores principales").

Cepille ligeramente las mallas contra arañas y demás insectos usando una cepillo con cerdas suaves (p. ej.: una cepillo de dientes viejo).

⚠ NOTA IMPORTANTE: No limpie la malla contra arañas y demás insectos con herramientas duras o cortantes. No desmonte las mallas contra arañas y demás insectos ni agrande las aberturas de la malla.

Dé unos golpecitos suaves al quemador para sacar cualquier suciedad que haya dentro del tubo quemador. Una vez las mallas y los quemadores estén limpios vuelva a colocar a los quemadores en su sitio.

Si la malla contra arañas y demás insectos se dañase o no pudiese limpiarse, por favor póngase en contacto con el Representante de Atención al Cliente en su área por medio de la información de contacto suministrada en nuestro sitio web. Conéctese a www.weber.com.

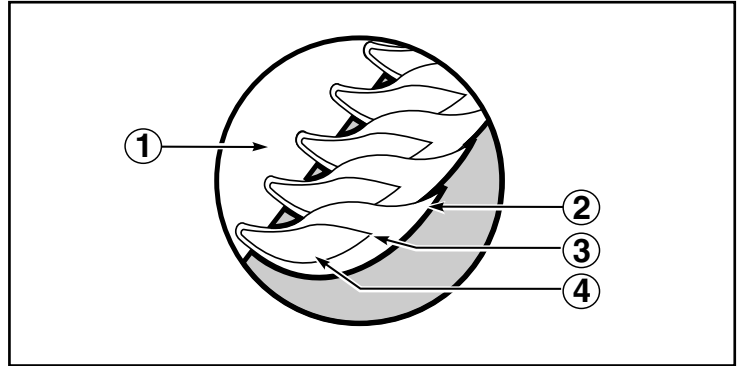


PATRÓN DE LA LLAMA DEL QUEMADOR

Los quemadores del asador de gas Weber® han sido ajustados en la fabrica para proporcionar la mezcla correcta de aire y gas. El patrón correcto de la llama es el mostrado.

- 1) Tubo quemador
- 2) Las puntas ocasionalmente centellean un color amarillo.
- 3) Azul claro
- 4) Azul oscuro

Si las llamas no tienen una apariencia pareja a lo largo del tubo quemador, siga las instrucciones para limpiar el quemador.

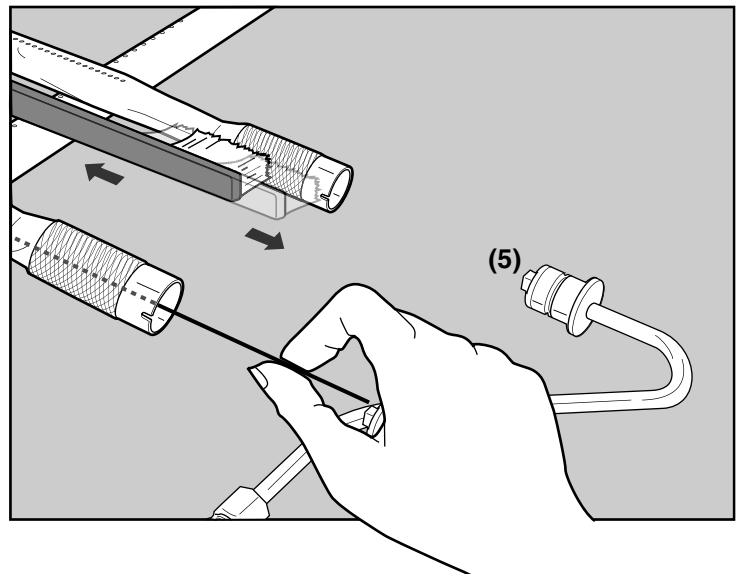
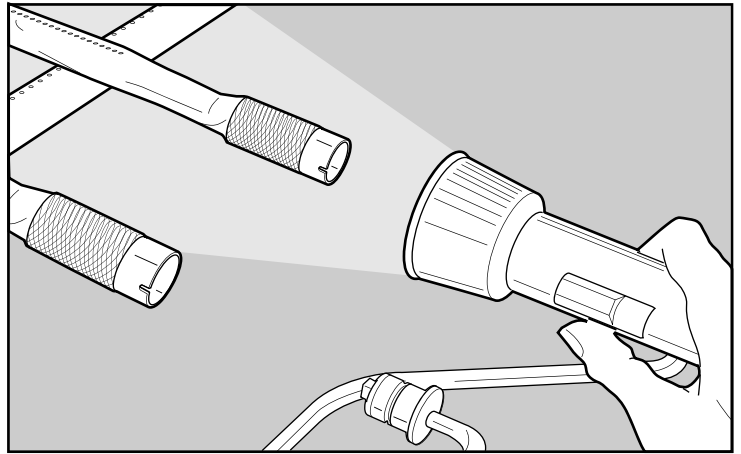
**PROCEDIMIENTO PARA LIMPIAR EL QUEMADOR PRINCIPAL**

Cierre el suministro de gas. Retire los quemadores primero (Vea la sección "Reemplazo de los quemadores principales").

Revise la parte interna del quemador con una linterna.

Limpie la parte interna de los quemadores con un alambre (un perchero de alambre estirado funcionará bien). Revise y limpie la abertura de la compuerta de aire en los extremos de los quemadores. Revise y limpie los orificios de las válvulas en las base del orificio del quemador (5). Use un cepillo con cerdas de acero para limpiar la parte externa de los quemadores. Esto es para asegurarse de que todos los puertos de los quemadores estén completamente abiertos.

⚠ PRECAUCIÓN: Al limpiar, no agrande las ranuras del quemador.



REEMPLAZO DE LOS QUEMADORES PRINCIPALES

- 1) Su asador de gas Weber® debe estar APAGADO y enfriado.
- 2) CIERRE el gas en la fuente.
- 3) Abra la tapa y retire las rejillas de cocción
- 4) Retire la tuerca y la arandela tanto del quemador externo como el interno.
- 5) Levante el quemador externo y gírelo 90° en dirección de las agujas del reloj. Deslice el quemador fuera del orificio del mismo y retírelo de la caja de cocción.
- 6) Repita el mismo procedimiento para el quemador interno.

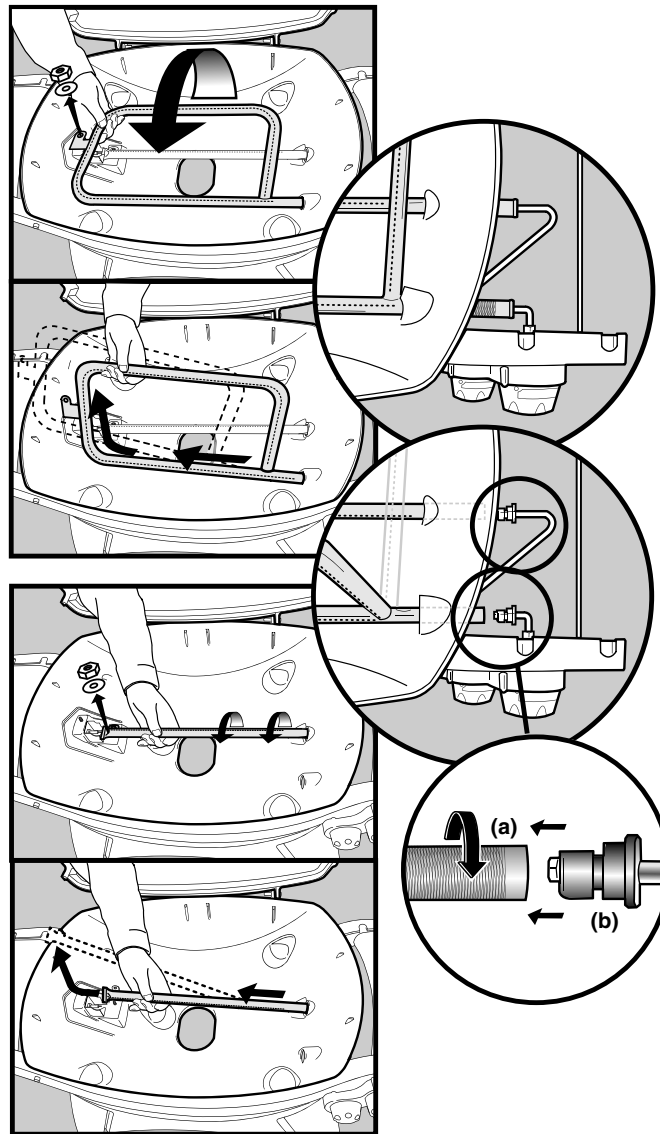
⚠ **NOTA IMPORTANTE: El retiro o reinstalación de los quemadores debe hacerse con cuidado. No fuerce ni doble las líneas de gas que conectan los tubos quemadores a la válvula de control.**

- 7) Para reinstalar el quemador, siga en reverso los pasos 4) al 7).

⚠ **NOTA IMPORTANTE: Las aberturas del quemador(a) deberán posicionarse correctamente sobre los orificios de la válvula(b).**

Verifique que los tubos quemadores se hayan ensamblado correctamente antes de atornillarlos en su sitio.

⚠ **NOTA IMPORTANTE: Después de reinstalar los quemadores, y antes de usar el asador, deberá verificarse que la conexión de gas no tenga fugas usando una solución de agua y jabón. (Vea el paso: "Verificación de que no existen fugas de gas").**

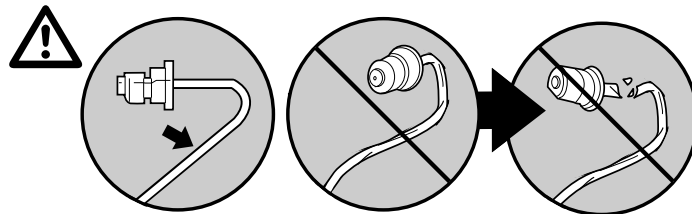
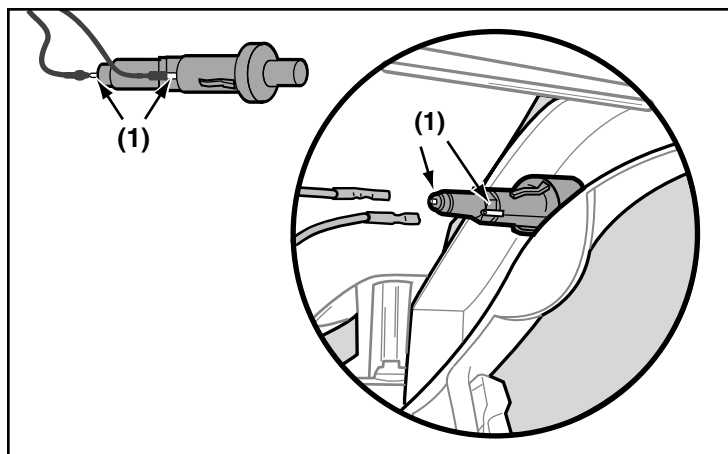


OPERACIONES CON EL SISTEMA DE ENCENDIDO

Si el sistema de encendido fallase en encender los quemadores, revise el encendedor.

- Verifique que ambos cables de encendido estén correctamente conectados a los electrodos de encendido(1).
- Verifique que el botón de encendido puede presionarse hacia abajo y que luego retorna a la posición de arriba.

Si el sistema de encendido aún no logra encender, contacte al Representante de Servicio a los Clientes en su región usando la información de contacto en nuestro sitio en la Internet. Conéctese a www.weber.com.



Enregistrez votre grill en ligne sur www.weber.com

VOUS DEVEZ LIRE CE MODE D'EMPLOI AVANT D'UTILISER VOTRE GRILL A GAZ

⚠ DANGER

Si vous sentez une odeur de gaz:

1. Fermez le gaz en direction de l'appareil.
2. Eteignez toute flamme nue.
3. Ouvrez le couvercle.
4. Si l'odeur persiste, restez à l'écart de l'appareil et appelez immédiatement votre fournisseur de gaz ou le service d'incendie.

Une fuite de gaz pourrait provoquer un incendie ou une explosion susceptible de provoquer une blessure grave ou la mort, ou des dommages à la propriété.

⚠ MISE EN GARDE: Suivez toutes les procédures de détection des fuites de ce manuel avec soin avant d'utiliser le barbecue. Faites-le même si le barbecue a été assemblé par le revendeur.

NOTE A L'INTENTION DE L'INSTALLATEUR: Les présentes instructions doivent être remises au propriétaire et le propriétaire devrait les conserver pour les utiliser plus tard.

CET APPAREIL A GAZ EST CONCU POUR UNE UTILISATION EN EXTERIEUR UNIQUEMENT.

⚠ MISE EN GARDE:

1. Ne pas entreposer ni utiliser de l'essence ni d'autres vapeurs ou liquides inflammables dans le voisinage de l'appareil, ni de tout autre appareil.
2. Une bouteille de propane qui n'est pas raccordée en vue de son utilisation, ne doit pas être entreposée dans le voisinage de cet appareil ou de tout autre appareil.

⚠ MISE EN GARDE: N'essayez pas d'allumer cet appareil sans lire la section des "Instructions pour l'allumage" de ce manuel.

⚠ DANGER

Le non respect des consignes intitulées Danger, Mise en garde et Attention contenues dans le présent Mode d'emploi peut entraîner une blessure grave ou la mort, ou un incendie ou une explosion provoquant des dommages à la propriété.

⚠ MISES EN GARDE

- ⚠ Ne stockez pas de bouteille de gaz propane liquide de rechange ou de bouteille de gaz propane liquide débranchée au-dessous ou à proximité de ce barbecue.
- ⚠ Un mauvais montage peut se révéler dangereux. Veuillez suivre les instructions de montage avec soin.
- ⚠ Après une période de stockage et/ou d'inutilisation, le barbecue à gaz Weber® devrait faire l'objet d'une vérification visant à détecter toute fuite et toute obstruction des brûleurs avant toute utilisation. Voir les instructions de ce manuel pour les procédures correctes.
- ⚠ N'utilisez pas le barbecue à gaz Weber® en cas de fuite.
- ⚠ N'utilisez pas de flamme pour détecter les fuites de gaz.
- ⚠ Aucune matière inflammable ne devrait jamais se trouver dans un rayon de 24 pouces par rapport à l'arrière ou aux côtés de votre barbecue à gaz Weber®.

- ⚠ Ne placez pas de bâche de protection de barbecue ni aucune matière inflammable sur la barbecue ou dans la zone de stockage au-dessous du barbecue.
- ⚠ Votre barbecue à gaz Weber® ne devrait jamais être utilisé par des enfants. Les pièces accessibles du barbecue peuvent atteindre une température très élevée. Maintenez les jeunes enfants à l'écart pendant son utilisation.
- ⚠ Vous devriez faire preuve d'une prudence raisonnable lorsque vous utilisez votre barbecue à gaz Weber®. Celui-ci sera très chaud pendant la cuisson ou le nettoyage et ne devrait jamais être laissé sans surveillance ni déplacé pendant son utilisation.
- ⚠ Si les brûleurs s'éteignent pendant l'utilisation, fermez toutes les valves de gaz. Ouvrez le couvercle puis patientez cinq minutes avant d'essayer de rallumer les brûleurs, en utilisant les instructions pour l'allumage.
- ⚠ N'utilisez pas de charbon de bois ni de pierres de lave dans votre barbecue à gaz Weber®.
- ⚠ Ne vous penchez jamais au-dessus du grill ouvert ou ne placez jamais les mains ou les doigts sur l'extrémité avant du boîtier de cuisson.
- ⚠ Si un feu de graisse se produisait, fermez tous les brûleurs et laissez le couvercle fermé jusqu'à ce que le feu s'éteigne.
- ⚠ N'élargissez pas les orifices des valves ou les ports des brûleurs lorsque vous nettoyez les valves ou les brûleurs.
- ⚠ Le barbecue à gaz Weber® devrait être nettoyé méticuleusement de façon régulière.
- ⚠ Le gaz propane liquide n'est pas du gaz naturel. La conversion ou la tentative d'utilisation de gaz naturel dans un appareil à propane liquide ou de gaz propane liquide dans un appareil à gaz naturel est dangereuse et annulera votre garantie.
- ⚠ Utilisez des gants pour barbecue résistants à la chaleur lorsque vous utilisez le barbecue.
- ⚠ Maintenez tout cordon électrique d'alimentation ainsi que le tuyau d'alimentation en combustible à l'écart de toute surface chauffée.
- ⚠ Les dérivés de combustion générés lors de l'utilisation de ce produit contiennent des agents chimiques reconnus par l'Etat de Californie comme provoquant des cancers, des anomalies congénitales ou d'autres troubles de la reproduction.
- ⚠ N'utilisez ce barbecue que si toutes les pièces sont en place. Cet appareil doit être correctement assemblé conformément aux instructions de montage.

APPAREILS A GAZ PROPANE UNIQUEMENT :

- ⚠ Utilisez l'ensemble régulateur de pression et tuyau fourni avec votre barbecue à gaz Weber®.
- ⚠ Ne tentez pas de déconnecter l'ensemble régulateur et tuyau de gaz ni tout autre raccord de gaz pendant que vous utilisez votre barbecue.
- ⚠ L'utilisation d'une bouteille de gaz propane liquide comportant une bosse ou d'une bouteille rouillée peut être dangereuse et une telle bouteille devrait être vérifiée par votre fournisseur de propane. N'utilisez pas une bouteille de propane liquide dont la valve est détériorée.
- ⚠ Bien que votre bouteille de propane liquide puisse sembler vide, il est possible qu'elle contienne encore du gaz, et la bouteille devrait être transportée et stockée en conséquence.
- ⚠ Si vous voyez, sentez ou entendez du gaz s'échapper de la bouteille de propane liquide :
 1. Eloignez-vous de la bouteille de propane liquide.
 2. Ne tentez pas de corriger le problème vous-même.
 3. Appelez votre service incendie.

Afin de valider votre garantie, veuillez enregistrer votre grill en ligne sur www.weber.com

Weber-Stephen Products Co. (Weber®) garantit par la présente déclaration à l'ACHETEUR ORIGINAL de ce barbecue l'absence de tout vice de matière et de fabrication à compter de la date d'achat à compter de la date d'achat pendant les périodes suivantes:

Moulages en aluminium,	5 ans
Pièces thermoplastiques/formées à haute température,	5 ans sauf le palissage
Toutes les autres pièces,	2 ans si elles sont assemblées et utilisées en conformité avec les consignes imprimées qui l'accompagnent.

Sous réserve du montage et de l'utilisation de l'appareil conformément aux instructions imprimées qui l'accompagnent.

Weber peut exiger que vous apportiez une preuve raisonnable de la date d'achat. C'EST POURQUOI VOUS DEVEZ CONSERVER VOTRE REÇU DE CAISSE OU FACTURE.

La présente garantie est limitée à la réparation ou au remplacement de pièces qui se révèlent défectueuses dans des conditions normales d'utilisation et d'entretien et dont l'examen permet à Weber® de conclure qu'elles sont effectivement défectueuses. Avant de renvoyer toute pièce, contactez le Représentant régional du Service après-vente en vous reportant à la fiche de renseignements sur les contacts sur notre site Internet. Si Weber® confirme le défaut et le bien-fondé de la réclamation, la pièce concernée sera remplacée gratuitement. Si vous devez renvoyer des pièces défectueuses, vous devez prendre les frais de transport à votre charge. Weber® renverra les pièces à l'acheteur en port payé.

La présente garantie limitée ne couvre aucune panne ou difficulté de fonctionnement due à un accident, à un usage brutal ou incorrect, à des modifications, à un emploi abusif, au vandalisme, ainsi qu'à une installation ou à un entretien incorrects, ou à une absence d'entretien normal et périodique, y compris, entre autres, aux dégâts causés par la présence d'insectes à l'intérieur des tubes de brûleurs, ainsi que le précise le présent guide.

La détérioration ou les dégâts dus à des conditions atmosphériques rigoureuses telles que grêle, ouragans, tremblements de terre ou tornades, à la pluie acide, à la décoloration due à une exposition à des substances chimiques appliquées directement ou présentes dans l'atmosphère, ne sont pas couverts par la présente garantie limitée.

Il n'existe aucune garantie explicite autre que celles énumérées dans la présente déclaration et toute garantie implicite d'aptitude à la commercialisation et d'adaptation à l'utilisation prévue est limitée, en termes de durée, à la période de couverture de la présente garantie limitée explicite. Il se peut que certains pays interdisent toute limitation de la durée d'une garantie limitée et que cette limitation ne vous soit donc pas opposable.

Weber® n'est responsable d'aucun dommage particulier, indirect ni incident. Il se peut que certains pays interdisent l'exclusion des dommages imprévus ou incidents, ou les limitations les affectant, et que ces limitations ou cette exclusion ne vous soient donc pas opposables.

Weber® n'autorise aucune personne ni société à assumer en son nom une autre obligation ou responsabilité quelconque liée à la vente, à l'installation, à l'utilisation, au démontage, au renvoi ou au remplacement de son matériel; aucune représentation de cette sorte n'est opposable à Weber®.

La présente garantie ne s'applique qu'aux produits vendus au détail.

Onward Manufacturing Service Clientèle

Pour des pièces de rechange, veuillez appelez au :

1-800-265-2150
www.weber.com

**FOR PURCHASES MADE IN CANADA:
POUR LES ACHATS EFFECTUÉS AU CANADA:**

Customer Service: 1-800-265-2150*

Service clientèle: 1-800-265-2150*

*Onward Manufacturing

Votre barbecue à gaz Weber® est un appareil de cuisson d'extérieur portatif. Avec ce barbecue à gaz Weber® vous pouvez griller, cuire au barbecue, rôtir et cuire avec des résultats difficilement reproductibles en utilisant des appareils de cuisine d'intérieur. Le couvercle fermé et les Barres Flavorizer® donnent aux aliments une "saveur d'extérieur" particulière.

Ce barbecue à gaz Weber® est portatif de sorte que vous puissiez facilement changer son emplacement dans votre cour ou dans votre patio. La transportabilité signifie que vous pouvez emmener votre barbecue à gaz Weber® avec vous lors de vos déplacements.

L'arrivée de gaz Propane liquide (PL) est facile à utiliser et vous donne davantage de contrôle sur la cuisson que si vous utilisiez du charbon de bois.

- Les présentes instructions vous fourniront les exigences minimales pour le montage de votre barbecue à gaz Weber®. Veuillez lire les consignes avec attention avant d'utiliser votre barbecue à gaz Weber®. Un montage incorrect peut se révéler dangereux.
- Ne convient pas à une utilisation par des enfants.
- S'il existe des codes régionaux s'appliquant aux grills à gaz portatifs, vous devrez les respecter. L'installation doit être conforme aux codes régionaux ou, en l'absence de tels codes, avec le Code national relatif aux gaz combustibles, ANSI Z223.1/NFPA 54, le Code relatif aux installations de gaz naturel et de gaz propane, CSA B149.1, ou le Code relatif au stockage et à la manipulation du propane, B149.2, ou à la Norme relative aux véhicules de loisirs, ANSI A 119.2/NFPA 1192, et les Séries CSA Z240 RV, Code relatif aux véhicules de loisirs, le cas échéant.
- Vous devez utiliser le régulateur de pression fourni avec le barbecue à gaz Weber®. Ce régulateur est paramétré pour une colonne d'eau de 11 pouces (pression).
- Ce barbecue à gaz Weber® est conçu pour une utilisation avec du gaz propane liquide (PL) uniquement. Ne l'utilisez pas avec du gaz naturel (gaz de ville). Les valves, les orifices, le tuyau et le régulateur sont adaptés au gaz PL uniquement.
- N'utilisez pas ce barbecue avec du charbon de bois.
- Vérifiez que la zone située au-dessous du panneau de commande et le plateau inférieur ne comportent aucun résidu susceptible de faire obstacle à la circulation de l'air nécessaire à la combustion ou à la ventilation.
- Les zones à proximité de la bouteille de PL doivent être dégagées et ne doivent comporter aucun débris.
- Les régulateurs de pression et les ensembles de tuyaux de rechange doivent être ceux spécifiés par Weber-Stephen Products Co.

POUR UNE INSTALLATION AU CANADA

Les présentes instructions, bien que généralement acceptables, ne sont pas nécessairement conformes aux Codes d'installation du Canada, en particulier en ce qui concerne les canalisations au-dessus du sol et les canalisations souterraines. Au Canada, l'installation de cet appareil doit être conforme aux codes régionaux et/ou à la Norme CSA-B149.2 (Code relatif au stockage et à la manipulation de propane).

⚠ ATTENTION : Ce produit a fait l'objet de tests de sécurité et est certifié pour une utilisation dans un pays particulier uniquement. Vérifiez la désignation de pays située sur le carton d'emballage.

Ces pièces peuvent contenir du gaz ou être des éléments dont la combustion produit du gaz. Veuillez consulter le Service clientèle de Weber-Stephen Products Co. pour des renseignements sur les pièces de rechange originales de Weber-Stephen Products Co.

⚠ MISE EN GARDE : Ne tentez pas d'effectuer des réparations sur des éléments contenant du gaz ou sur des éléments dont la combustion produit du gaz sans contacter le service clientèle de Weber-Stephen Products Co.. Si vous ne suivez pas la présente Mise en garde relative au produit, vos actions risquent de provoquer un incendie ou une explosion entraînant des blessures physiques graves voire un décès ainsi que des dégâts matériels.

STOCKAGE ET/OU INUTILISATION

- Le gaz doit être fermé au niveau de la bouteille de propane liquide lorsque vous n'utilisez pas le barbecue à gaz Weber®.
- Lorsque le barbecue à gaz Weber® est stocké en extérieur, l'arrivée de gaz doit être DECONNECTEE et la bouteille de gaz PL stockée en extérieur dans une zone bien ventilée.
- La bouteille de PL doit être stockée en extérieur dans une zone bien ventilée hors de portée des enfants. La bouteille de PL débranchée ne doit pas être stockée dans un bâtiment, dans un garage ni dans toute autre zone confinée.
- Lorsque la bouteille de PL n'est pas débranchée du barbecue à gaz Weber®, l'appareil et la bouteille de PL doivent être stockés en extérieur dans un espace bien ventilé.
- Le barbecue à gaz Weber® devrait faire l'objet d'une inspection visant à détecter toute fuite ainsi que tout obstacle présent dans les tubes du brûleur avant toute utilisation. (Voir la Section: "Maintenance/Maintenance annuelle").
- Vérifiez que les zones situées sous le panneau de commande et le plateau inférieur amovible ne comportent pas de résidus susceptibles de faire obstacle à la circulation de l'air de combustion ou de ventilation.
- Les Grilles anti araignées/insectes devraient aussi faire l'objet d'un contrôle afin de détecter toute obstruction. (Voir la Section: "Maintenance/Maintenance annuelle").

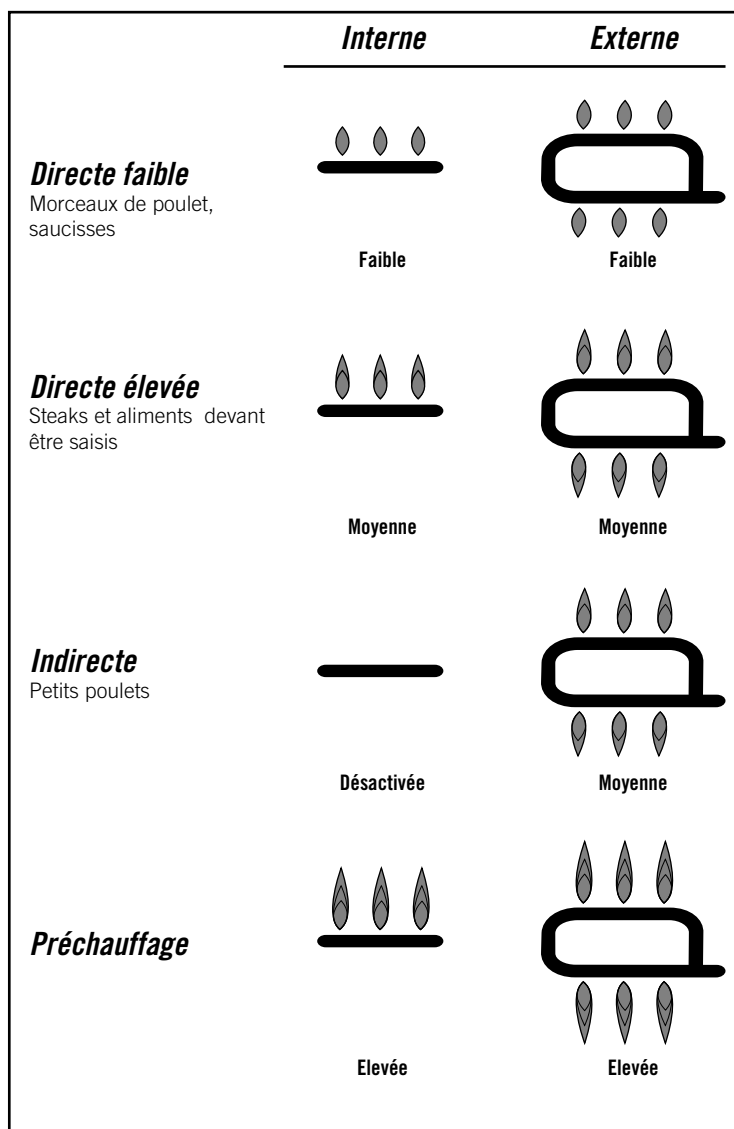
UTILISATION

- ⚠ **MISE EN GARDE : Utilisez ce barbecue uniquement en extérieur dans une zone bien ventilée. Ne l'utilisez pas dans un garage, un bâtiment, un passage couvert ou toute autre zone confinée.**
- ⚠ **MISE EN GARDE : Maintenez les ouvertures de ventilation de l'enclos de la bouteille de gaz dégagées et libre de tout débris.**
- ⚠ **MISE EN GARDE : Vous ne devez pas utiliser votre barbecue à gaz Weber® au-dessous d'une structure inflammable.**
- ⚠ **MISE EN GARDE : Votre barbecue à gaz Weber® n'est pas conçu pour être installé à l'intérieur ou au-dessus de véhicules de loisirs et/ou de bateaux.**
- ⚠ **MISE EN GARDE : N'utilisez pas le barbecue dans un rayon de 24 pouces de toute matière inflammable par rapport à l'arrière ou aux côtés du grill.**
- ⚠ **MISE EN GARDE : La totalité du boîtier de cuisson atteint une température élevée pendant la cuisson. Ne laissez pas le grill sans surveillance.**
- ⚠ **MISE EN GARDE : Maintenez tout cordon d'alimentation électrique ainsi que le tuyau d'alimentation en combustible à l'écart de toute surface chauffée.**
- ⚠ **MISE EN GARDE : Maintenez la zone de cuisson dégagée de toute vapeur ou de tout liquide inflammable comme de l'essence, de l'alcool, etc., et de toute matière inflammable.**
- ⚠ **MISE EN GARDE : Ne stockez jamais une bouteille de PL supplémentaire (de rechange) au-dessous ou à proximité du barbecue à gaz Weber®.**
- ⚠ **MISE EN GARDE : La bouteille de PL utilisée avec votre barbecue doit être équipée d'un dispositif de prévention du surremplissage homologué OPD (Overfilling Prevention Device) et d'un raccord QCC1 ou de Type 1 (CGA810). Le raccord de la bouteille de gaz doit être compatible avec le raccord du barbecue.**

CUISSON

⚠ MISE EN GARDE : Ne déplacez pas le barbecue à gaz Weber® pendant son fonctionnement ni pendant que le barbecue est à haute température.

Vous pouvez régler les brûleurs selon votre convenance. Les réglages des commandes : Elevée (High -H), Moyenne (Medium - M), Faible (Low - L) ou désactivée (Off - O) sont décrits dans votre livre de cuisine Weber®. Le livre de cuisine utilise ces notations pour décrire les réglages des brûleurs INTERNE et EXTERNE. Par exemple, pour saisir des steaks, vous régleriez les deux brûleurs sur H (élevée). Ensuite, pour terminer la cuisson, vous régleriez le brûleur EXTERNE sur M (moyenne). Veuillez consulter votre livre de recettes Weber® pour des instructions de cuisson détaillées ou connectez-vous sur notre site Internet : www.weber.com®.



Remarque : La température à l'intérieur de votre boîtier de cuisson pendant les quelques premières utilisations, alors que les surfaces sont encore très réfléchissantes, peut être plus élevée que celle indiquée dans votre livre de cuisine. Conditions de cuisson. Le vent et la météorologie peuvent nécessiter le réglage des commandes du brûleur afin d'obtenir les températures de cuisson correctes.

Préchauffage - Votre barbecue à gaz Weber® est un appareil économique en matière d'énergie utilisée. Il fonctionne selon un taux BTU faible et économique. Pour préchauffer : après l'allumage, fermez le couvercle et positionnez les deux brûleurs sur élevée (H). Le préchauffage entre 500° et 550° F (260° et 290° C) durera de 10 à 15 minutes en fonction de conditions comme la température de l'air et le vent.

Écoulements et graisse - Les écoulements en excès et la graisse s'accumuleront dans l'égouttoir au-dessous du boîtier de cuisson. Des égouttoirs en aluminium jetables adaptables à l'égouttoir sont disponibles.

⚠ MISE EN GARDE : Vérifiez que l'égouttoir ne contient pas d'accumulation de graisse avant chaque utilisation. Retirez l'excès de graisse pour éviter que celle-ci ne prenne feu à l'intérieur de l'égouttoir.

NETTOYAGE

⚠ MISE EN GARDE : Veuillez positionner votre barbecue à gaz Weber® sur OFF puis attendez qu'il refroidisse avant de procéder au nettoyage.

Pour connaître la disponibilité des grilles de cuisson de rechange, veuillez entrer en contact avec le Représentant du service clientèle de votre région au moyen des coordonnées figurant sur notre site Internet. Connectez-vous sur www.weber.com®.

Surfaces externes - Utilisez une solution d'eau savonneuse chaude pour nettoyer les surfaces puis rincez-les à l'eau.

⚠ ATTENTION : N'utilisez aucun nettoyant pour four, détergent abrasif (détergent de cuisine) contenant des produits citronnés ni aucun tampon à récurer abrasif sur le barbecue ou sur les surfaces du chariot.

Bac inférieur extractible - Retirez la graisse en excès, ensuite lavez le bac à l'eau savonneuse chaude puis rincez.

Grille de cuisson - Nettoyez la grille au moyen d'une brosse de cuivre adaptée. Si nécessaire, retirez la grille du grill puis lavez-la à l'eau savonneuse chaude, ensuite rincez-la à l'eau.

Egouttoir - Des bacs en aluminium jetables sont disponibles. Sinon, vous pouvez recouvrir l'égouttoir à l'aide d'une feuille de papier aluminium. Pour nettoyer l'égouttoir, lavez-le à l'eau savonneuse chaude puis rincez.

Intérieur du boîtier de cuisson - Brossez tout débris afin de le retirer des tubes du brûleur. **N'ELARGISSEZ PAS LES TUBES DU BRULEUR (OUVERTURES)**. Lavez l'intérieur du boîtier de cuisson à l'eau savonneuse chaude puis rincez à l'eau.

Intérieur du couvercle - Alors que le couvercle est chaud, essuyez l'intérieur à l'aide d'une serviette en papier afin d'empêcher la formation d'une accumulation de graisse. Les éclats de graisse accumulés ressemblent à des éclats de peinture.

Plans de travail rabattables - Lavez-les au moyen d'un chiffon doux et d'une solution d'eau savonneuse.

N'utilisez aucun détergent contenant de l'acide, des alcools minéraux ou du xylène. Rincez bien après le nettoyage.

Les plans de travail rabattables ne doivent pas être utilisés comme des planches à découper.

INFORMATIONS IMPORTANTES RELATIVES A LA BOUTEILLE DE PL

Le fait de ne pas respecter exactement ces déclarations de **DANGER** peut provoquer un incendie entraînant en un décès ou une blessure grave.

Weber® recommande l'utilisation des bouteilles des fabricants Manchester et Worthington, d'une capacité de 47,6 lb de liquide. D'autres bouteilles peuvent être acceptables pour une utilisation avec l'appareil à condition qu'elles soient compatibles avec le moyen de rétention de l'appareil (voir l'illustration pour le point de contact du moyen de rétention).

⚠DANGER

⚠Ne rangez **JAMAIS** une Bouteille de PL de recharge au-dessous ou à proximité de ce barbecue.

⚠Ne remplissez **JAMAIS** le réservoir à plus de 80%.

Si ces consignes ne sont pas appliquées exactement, un incendie entraînant un décès ou une blessure grave risque de se produire.

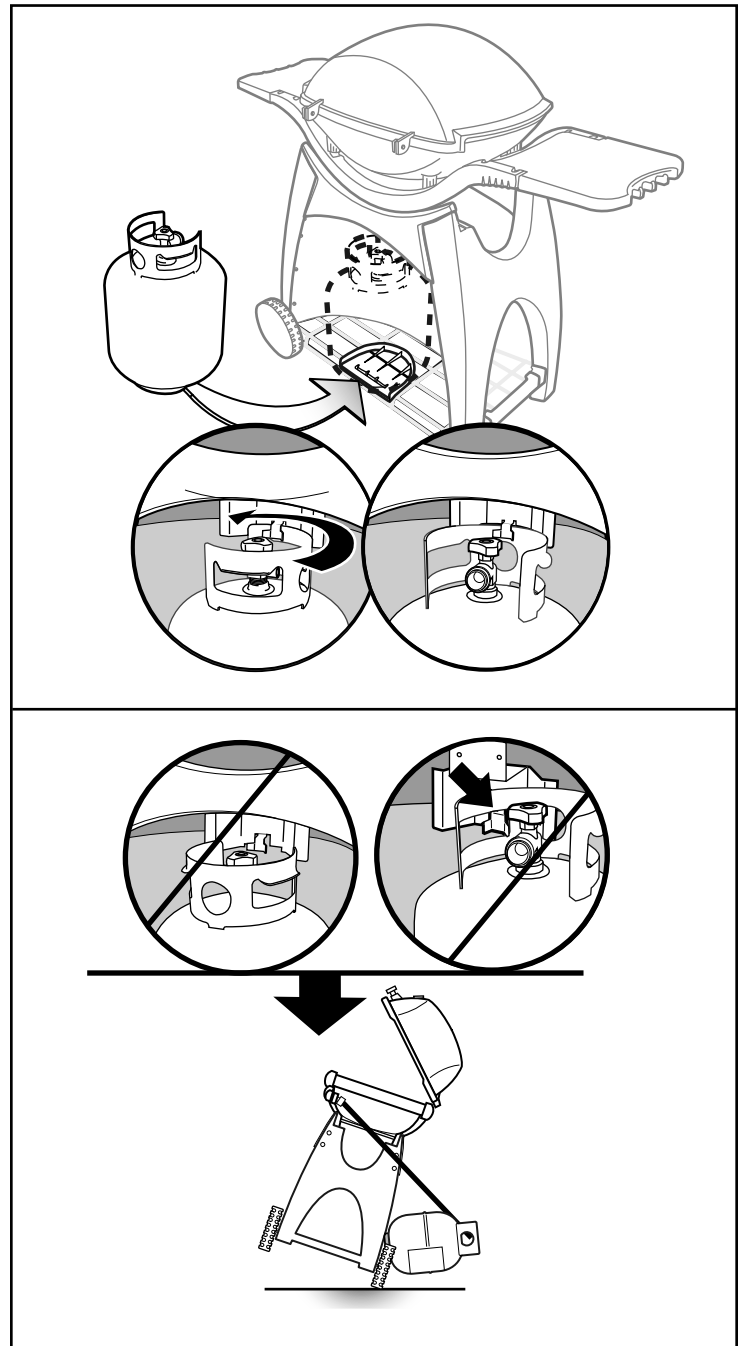
Votre grill à gaz Weber® est équipé pour un dispositif d'alimentation par bouteille conçu pour un retrait par la vapeur.

⚠MISE EN GARDE : N'utilisez ce grill qu'en extérieur dans une zone bien ventilée. Ne l'utilisez pas dans un garage, dans un bâtiment, un passage couvert ou toute autre zone confinée.

Les méthodes de remplissage correctes pour le remplissage de votre bouteille sont le remplissage au poids ou au volume, selon le document NFPA 58. Veuillez vous assurer que votre station de remplissage remplit votre bouteille de PL au poids ou au volume. Demandez à votre station de remplissage de lire les consignes relatives à la purge et au remplissage inscrites sur la bouteille de PL avant d'essayer de la remplir.

MONTEZ LA BOUTEILLE

Voir l'illustration:



CONNECTER LA BOUTEILLE DE PROPANE LIQUIDE

- ⚠ **MISE EN GARDE** : Assurez-vous que la valve de la bouteille de PL est fermée. Fermez la bouteille en faisant tourner la valve dans le sens des aiguilles d'une montre.

⚠ DANGER

N'utilisez pas une flamme nue pour détecter les fuites de gaz. Assurez-vous de l'absence de toute étincelle ou flamme nue dans la zone tandis que vous détectez les fuites. Des étincelles ou des flammes provoqueraient un incendie ou une explosion susceptible de provoquer une blessure physique grave voire un décès ainsi que des dégâts matériels.

Pour raccorder le tuyau à la bouteille :

- ⚠ **MISE EN GARDE** : Le tuyau doit être fixé solidement au pied du chariot par la pince de rétention du tuyau. Le non respect de cette consigne risque de provoquer une détérioration du tuyau entraînant un incendie ou une explosion, susceptible de provoquer une blessure physique grave voire un décès ainsi que des dégâts matériels.

- 1) Retirez le cache anti-poussière en plastique de la valve du réservoir.
- 2) Vissez le couplage du tuyau sur la valve du réservoir, dans le sens des aiguilles d'une montre, ou vers la droite. Serrez à la main uniquement.

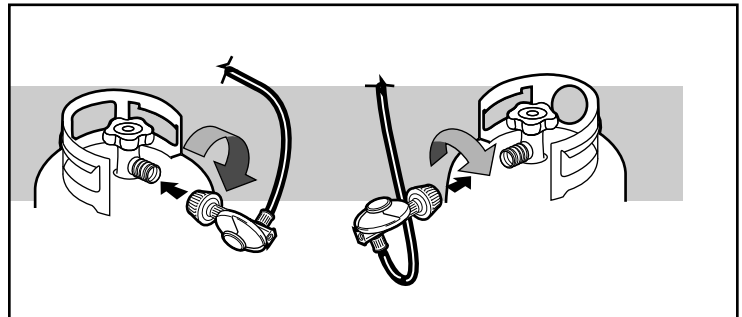
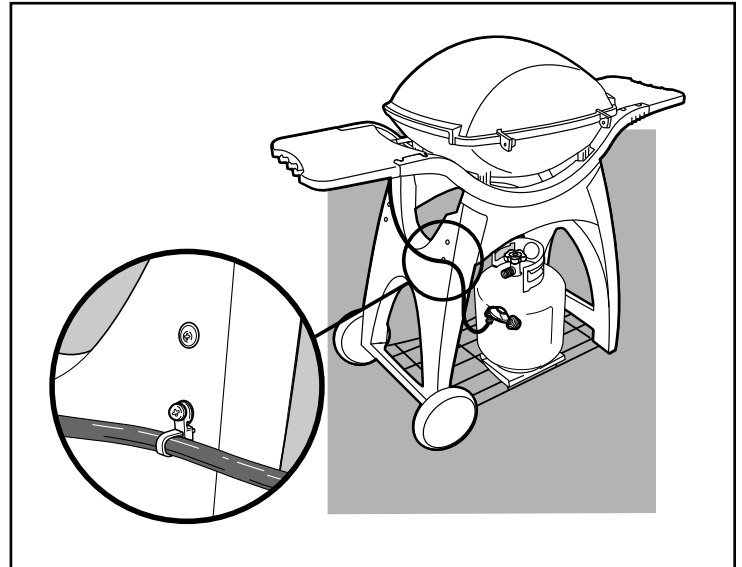
Remarque : Il s'agit d'un nouveau type de raccord. Il se serre dans le sens des aiguilles d'une montre et ne permet pas au gaz de circuler sauf si le raccord est serré hermétiquement. Le raccord nécessite un serrage manuel uniquement.

- ⚠ **MISE EN GARDE** : N'utilisez pas de clé pour serrer le raccord. L'utilisation d'une clé risquerait de détériorer le couplage du régulateur et pourrait provoquer une fuite.

DETECTER LES FUITES DE GAZ**VERIFIEZ QUE LES VALVES DU BRULEUR SONT POSITIONNEES SUR OFF**

Vérifiez en enfonçant le bouton de commande et en le tournant dans le sens des aiguilles d'une montre. Confirmez que le bouton est réglé sur la position "OFF" de l'indicateur. Si le bouton ne tourne pas, la valve est fermée. Passez à l'étape suivante. Si le bouton de commande pivote, continuez à le faire pivoter dans le sens des aiguilles d'une montre jusqu'à ce qu'il s'arrête. Il est maintenant positionné sur OFF. Passez à l'étape suivante.

- ⚠ **MISE EN GARDE** : Vous devriez détecter les fuites de gaz à chaque fois que vous débranchez et rebranchez un raccord de gaz.
- ⚠ **MISE EN GARDE** : effectuez ces détections de fuites même si votre barbecue a été monté par un revendeur ou dans une boutique.
- ⚠ **MISE EN GARDE** : N'allumez pas les brûleurs lorsque vous détectez les fuites.



⚠DANGER

N'utilisez pas de flamme nue pour détecter les fuites de gaz. Vérifiez l'absence de toute étincelle ou flamme ouverte dans la zone pendant que vous détectez les fuites de gaz. Des étincelles ou une flamme nue risqueraient de provoquer un incendie ou une explosion, susceptible de provoquer une blessure physique grave voire un décès ainsi que des dégâts matériels.

- 1) Mélangez du savon et de l'eau.
- 2) Ouvrez la valve de la bouteille en tournant la manivelle de la valve de la bouteille dans le sens inverse des aiguilles d'une montre.
- 3) Détectez les fuites en humidifiant le raccord avec une solution d'eau savonneuse et en observant si des bulles se forment. Si des bulles se forment, ou si une bulle grossit, cela indique la présence d'une fuite.

Si vous détectez une fuite, fermez le gaz et serrez le raccord. Ouvrez à nouveau le gaz et vérifiez à nouveau à l'aide de la solution d'eau savonneuse.

si la fuite persiste, veuillez contacter le Représentant du service clientèle de votre région à l'aide des coordonnées disponibles sur notre site Internet. Connectez-vous sur www.weber.com. N'utilisez pas le barbecue.

- 4) Lorsque la détection des fuites est terminée, positionnez l'arrivée de gaz sur OFF à la source et rincez les raccords à l'eau.

⚠ MISE EN GARDE : N'allumez pas les brûleurs lorsque vous détectez les fuites.

Vérifiez :

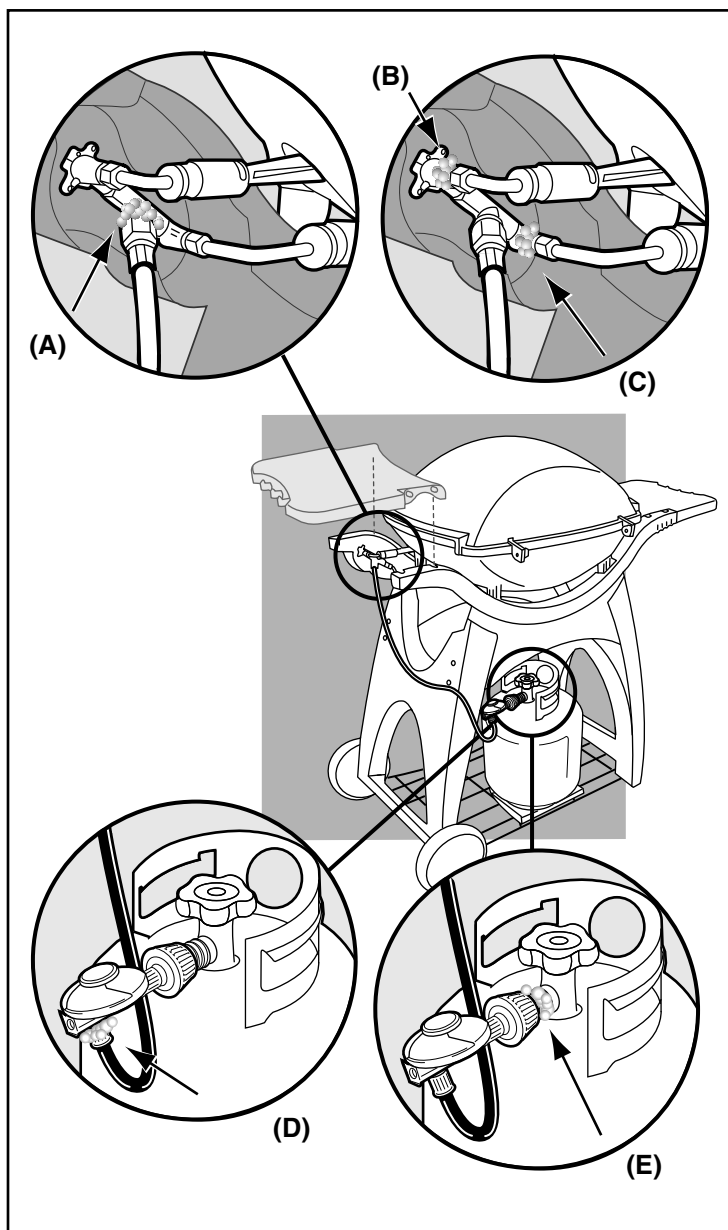
- A.) Le raccord entre la valve et le tuyau du régulateur.
- B.) Le raccord entre la valve et la conduite de gaz du brûleur Externe.
- C.) Le raccord entre la valve et la conduite de gaz du brûleur Interne.

⚠ MISE EN GARDE : En cas de fuite au niveau d'un raccord (A, B ou C), positionnez le gaz sur OFF. N'UTILISEZ PAS LE GRILL. Contactez le Représentant du service client dans votre région à l'aide des coordonnées fournies sur notre site Internet. Connectez-vous sur www.weber.com.

Vérifiez :

- D.) Le raccord entre le tuyau et le régulateur.
- E.) Le raccord entre le régulateur et la bouteille de propane.

⚠ MISE EN GARDE : En cas de fuite au niveau du raccord (E), retirez la bouteille de propane. N'utilisez pas le grill. Utilisez une autre bouteille de propane et détectez à nouveau les fuites à l'aide d'une solution d'eau savonneuse. En cas de persistance de la fuite après avoir resserré la bouteille de propane, positionnez le gaz sur OFF. N'UTILISEZ PAS LE GRILL. Contactez le Représentant du service clientèle de votre région à l'aide des coordonnées à votre disposition sur notre site Internet. Connectez-vous sur www.weber.com.



REPLISSAGE DE LA BOUTEILLE DE PROPANE LIQUÉFIÉ

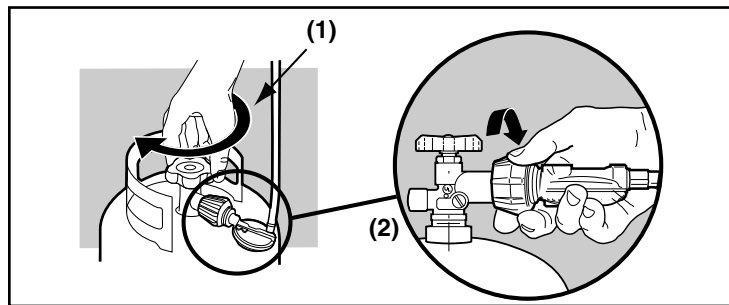
Nous recommandons de faire remplir la bouteille de propane liquéfié avant qu'elle soit complètement vidée.

Retrait de la bouteille de propane liquéfié

- 1) Fermez le robinet de la bouteille (en le tournant vers la droite).
- 2) Dévissez le raccord de détendeur en le tournant (à la main uniquement) vers la gauche.
- 3) Desserrez l'écrou à oreilles de verrouillage de la bouteille et relevez le dispositif de verrouillage pour qu'il ne vous gêne pas.
- 4) Soulevez la bouteille pour l'enlever.

Pour faire remplir la bouteille, amenez-la chez un revendeur de propane liquéfié.

⚠ AVERTISSEMENT : nous vous recommandons de faire remplir votre bouteille chez un fournisseur agréé de propane liquéfié par un employé qualifié qui procède au remplissage en se basant sur le poids. UN REPLISSAGE INCORRECT EST DANGEREUX.



⚠ ATTENTION : Mettre un bouchon antipoussière sur la sortie du robinet d'une bouteille qui n'est pas utilisée. Utiliser uniquement le type de bouchon antipoussière fourni avec le robinet de la bouteille. D'autres types de bouchons pourraient ne pas être étanches et permettre des fuites de propane.

ASTUCES POUR UNE MANIPULATION SANS DANGER DES BOUTEILLES DE GAZ PROPANE LIQUIDE

- Le gaz Propane liquide (PL) est un produit dérivé du pétrole comme le sont l'essence et le gaz naturel. Le gaz PL est gazeux à des températures et à des pressions ordinaires. Soumis à une pression modérée, à l'intérieur d'une bouteille de gaz, le gaz PL est liquide. Au fur et à mesure que la pression diminue, le liquide vaporise rapidement et devient gazeux.
- L'odeur du gaz PL ressemble à celle du gaz naturel. Vous devriez avoir conscience de cette odeur.
- Le gaz PL est plus lourd que l'air. Du gaz PL s'échappant d'une fuite peut s'accumuler dans des espaces proches du sol, ce qui empêcherait sa dispersion.
- Pour remplir la bouteille de PL, emmenez-la chez un revendeur de gaz propane, ou cherchez à "gaz propane" dans l'annuaire pour d'autres sources de gaz PL.

⚠ MISE EN GARDE : Nous vous recommandons de faire remplir votre bouteille de PL auprès d'un revendeur de gaz PL agréé, par du personnel qualifié, qui remplit la bouteille au poids. UN REPLISSAGE INCORRECT EST DANGEREUX.

- L'air doit être extrait d'une bouteille de PL neuve avant que celle-ci soit remplie pour la première fois. Votre revendeur de PL est équipé pour effectuer cette opération.
- La bouteille de PL doit être installée, transportée et stockée en position verticale. Les bouteilles de PL ne devraient pas être lâchées ou manipulées brutalement.
- Ne stockez ou ne transportez jamais la bouteille de PL dans des endroits où la température peut atteindre 125° F (trop chaud pour tenir à la main - par exemple : ne laissez pas la bouteille de PL à l'intérieur d'une voiture par une journée chaude).

Remarque : Une recharge dure environ 18 à 20 heures de cuisson dans des conditions d'utilisation normales. Le niveau de combustible indique le niveau de propane de façon à ce que vous puissiez vous réapprovisionner avant d'être à court de combustible.

Vous n'avez pas besoin de vider la bouteille avant de la faire recharger.

- Manipulez les bouteilles de PL "vides" avec le même soin que lorsqu'elles sont pleines. Même lorsque la bouteille de PL ne contient plus de liquide il peut toujours y avoir du gaz sous pression à l'intérieur. Fermez toujours la valve de la bouteille avant de la déconnecter.

⚠ ATTENTION : Placez le cache anti-poussière sur la sortie de la valve de la bouteille de gaz chaque fois que celle-ci est inutilisée. N'installez que le type de cache anti-poussière fourni avec la valve de la bouteille de gaz. L'utilisation d'autres types de caches ou de bouchons pourrait entraîner une fuite de propane.

- N'utilisez pas de bouteille de PL détériorée. Les bouteilles de PL comportant un renforcement ou rouillée ou les bouteilles de PL dont la valve est détériorée peuvent être dangereuses et devraient immédiatement être remplacées par des bouteilles neuves.

Bouteille(s) de gaz propane liquide (PL)

- Le raccord où le tuyau est relié à la bouteille de gaz PL doit faire l'objet d'un contrôle de détection des fuites à chaque fois que la bouteille de PL est rechargée.
- Assurez-vous que le régulateur est monté avec le petit trou d'aération orienté vers le bas de sorte qu'il ne reçoive pas d'eau. Cette aération devrait être dégagée des impuretés, de la graisse, des insectes, etc.
- Les raccords de gaz fournis avec votre barbecue à gaz Weber® ont été conçus et testés pour être conformes à 100% des exigences du CSA et de l'ANSI.

⚠ MISE EN GARDE : Les bouteilles de PL de recharge doivent s'adapter au raccord du régulateur fourni avec ce barbecue.

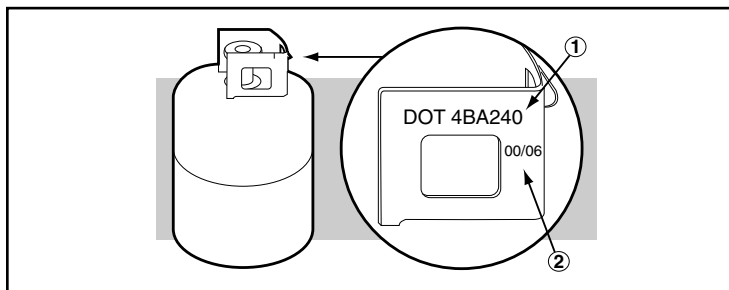
Exigences relatives à la bouteille de propane liquide

- Assurez-vous que les bouteilles de gaz sont certifiées D.O.T. (1), et que leur date vérifiée (2) est dans les cinq ans. Votre fournisseur de gaz PL peut faire cela pour vous.
- Tous les dispositifs de rechargement de bouteilles de PL doivent inclure une collerette pour protéger la valve de la bouteille de gaz.
- La bouteille de PL doit avoir une taille de 20 lb. environ (18¼ pouces de haut, 12¼ pouces de diamètre).
- La bouteille de gaz devrait être fabriquée et marquée conformément aux Spécifications relatives aux bouteilles de gaz PL du ministère des transports des États-Unis (Department of Transportation - D.O.T.) ou à la Norme nationale du Canada, CAN/CSA-B339, relative aux bouteilles de gaz, sphères et tubes ou au Transport de matières dangereuses ; et à la Commission, le cas échéant.

Au Canada**Exigences relatives aux bouteilles de gaz propane liquide**

Remarque : Votre détaillant peu vous aider à trouver une bouteille de gaz de recharge adaptée à votre barbecue.

- La bouteille de PL doit être fabriquée et marquée conformément aux spécifications relatives aux bouteilles de gaz PL, T.C.



ALLUMAGE

Des instructions brèves pour l'allumage sont affichées sur le pied du chariot au-dessous des boutons de commande (L).

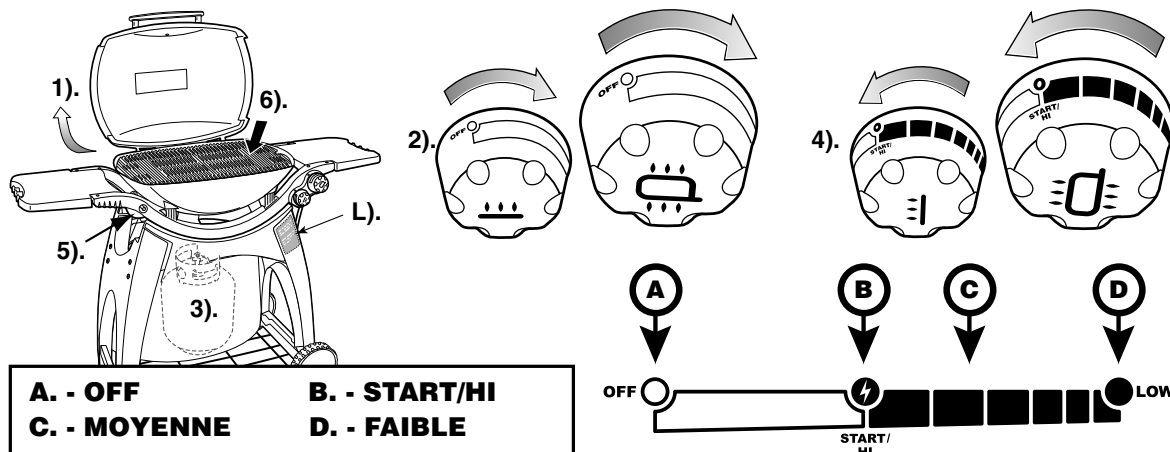
⚠ DANGER

Si vous n'ouvrez pas le couvercle pour allumer le barbecue ou n'attendez pas 5 minutes pour laisser le gaz se dissiper si le barbecue ne s'allume pas, vous risquez de provoquer une flambée soudaine explosive pouvant occasionner des blessures graves, voire mortelles.

⚠ AVERTISSEMENT : avant chaque utilisation du barbecue, vérifiez que le tuyau n'est pas entaillé, fendillé, usé par frottement ni coupé. S'il se révèle endommagé en quoi que ce soit, ne vous servez pas du barbecue. Ne le remplacez que par un tuyau de rechange agréé par Weber. Veuillez contacter le Représentant du service client de votre région à l'aide des coordonnées disponibles sur notre site Internet. Connectez-vous sur www.weber.com®.

Système d'allumage

Remarque : le système d'allumage Crossover allume le brûleur avant au moyen d'une étincelle jaillissant de l'électrode qui se trouve dans la chambre d'allumage. Vous produisez l'énergie nécessaire pour produire l'étincelle en appuyant sur le bouton d'allumage Crossover jusqu'à ce qu'il émette un déclic.



- 1) Ouvrez le couvercle.
- 2) Assurez-vous que tous les boutons de commande du brûleur sont réglés sur OFF. (Enfoncez le bouton de commande puis tournez-le dans le sens des aiguilles d'une montre pour vous assurer qu'il est positionné sur OFF.)

⚠ MISE EN GARDE : Les boutons de commande du brûleur doivent être positionnés sur OFF avant d'ouvrir la valve du réservoir de la bouteille de propane liquide. S'ils ne sont pas positionnés sur OFF, la fonction de "contrôle du débit de gaz en excès" s'active, restreignant le débit du gaz en provenance de la bouteille de PL lorsque vous ouvrez la valve de la bouteille de PL. Si cela se produisait, positionnez la valve de la bouteille de PL et les boutons de commande du brûleur sur OFF. Ensuite, recommencez.

⚠ DANGER :

Lorsque la fonction de "contrôle du débit de gaz en excès" est activée, une petite quantité de gaz circule toujours vers les brûleurs. Après avoir positionné la valve de la bouteille sur OFF, attendez au moins 5 minutes pour que le gaz se dissipe avant d'essayer d'allumer le barbecue. Le non respect de cette consigne risque de provoquer un embrasement explosif susceptible de provoquer une blessure physique grave ou un décès.

- 3) Ouvrez le gaz en faisant tourner lentement la valve du cylindre dans le sens inverse des aiguilles d'une montre. Attendez 60 secondes.

⚠ MISE EN GARDE : Ne vous penchez pas au-dessus du barbecue ouvert lorsque vous l'allumez.

- 4) Sélectionnez le brûleur Externe, enfoncez le bouton de commande puis positionnez-le sur START/Hi.
- 5) Enfoncez le bouton d'allumage jusqu'au déclic. Répétez si nécessaire.
- 6) Vérifiez que le brûleur est allumé en le regardant à travers la grille de cuisson. Vous devriez voir une flamme.

⚠ MISE EN GARDE : Si le brûleur ne s'allume pas, positionnez le bouton de commande du brûleur sur OFF puis patientez 5 minutes pour laisser le gaz se dissiper avant de faire une nouvelle tentative ou essayez de l'allumer au moyen d'une allumette.

- 7) Une fois que le brûleur Externe est allumé, vous pouvez allumer le brûleur Interne. Le brûleur Interne s'allume à partir du brûleur Externe.

POUR ETEINDRE

Enfoncez puis tournez chaque bouton de commande du brûleur dans le sens des aiguilles d'une montre vers la position OFF. Positionnez l'arrivée de gaz sur OFF à la source.

ALLUMAGE MANUEL

⚠ DANGER

Le fait de ne pas ouvrir le couvercle lorsque vous allumez les brûleurs du barbecue, ou de ne pas attendre 5 minutes pour laisser le gaz se dissiper si le barbecue ne s'allume pas, risque de provoquer un embrasement explosif susceptible de provoquer une blessure physique grave voire un décès.

- 1) Ouvrez le couvercle.
- 2) Assurez-vous que tous les boutons de contrôle du brûleur sont positionnés sur OFF. (Enfoncez chaque bouton puis faites-le tourner dans le sens des aiguilles d'une montre pour vous assurer qu'il est positionné sur OFF.)

⚠ MISE EN GARDE : Les boutons de commande du brûleur doivent être positionnés sur OFF avant d'ouvrir la vanne de la bouteille de propane liquide. Si ceux-ci ne sont pas positionnés sur OFF, lorsque vous ouvrez la valve de la bouteille de PL, la fonction de "contrôle du débit de gaz en excès" s'active, restreignant le débit du gaz en provenance de la bouteille de PL. Si cela se produisait, positionnez la valve du réservoir de PL et les boutons de commande du brûleur sur OFF. Ensuite, recommencez.

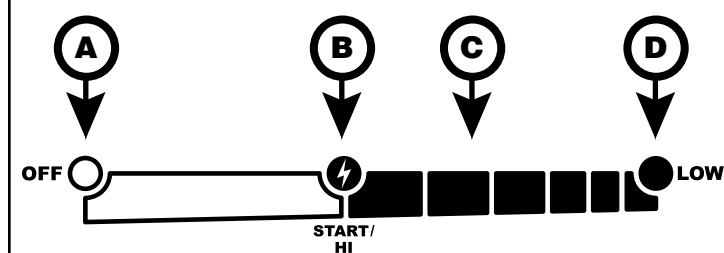
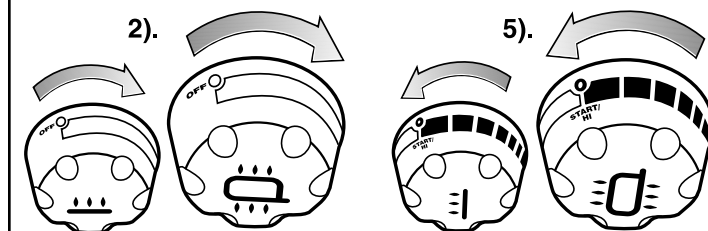
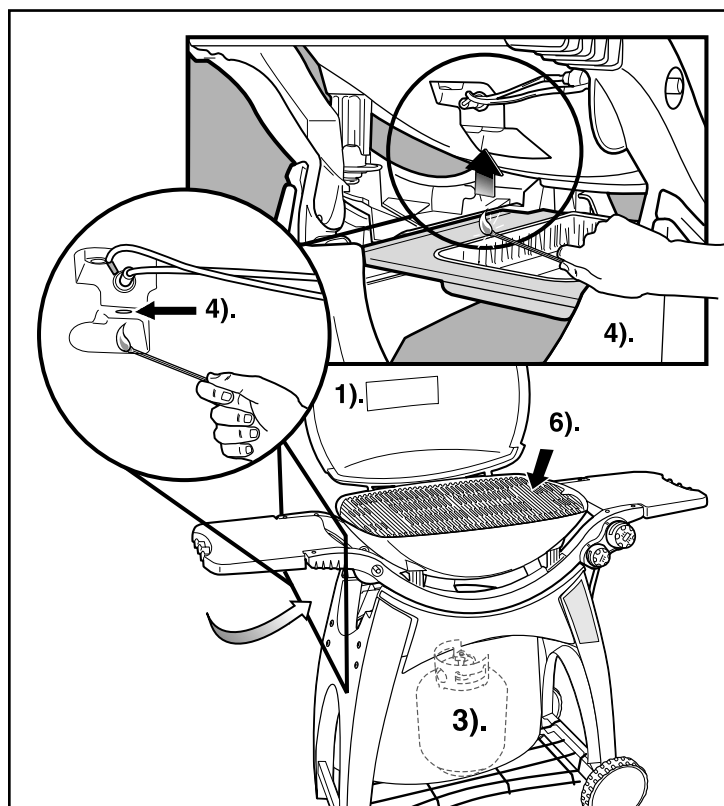
⚠ DANGER

Lorsque la fonction de "contrôle du débit de gaz en excès" est activée, une petite quantité de gaz circule toujours vers les brûleurs. Une fois que la bouteille et les boutons de contrôle du brûleur sont positionnés sur OFF, patientez au moins 5 minutes pour que le gaz se dissipe avant d'essayer d'allumer le barbecue. Le fait de ne pas respecter cette consigne peut provoquer un embrasement explosif, susceptible de provoquer une blessure physique grave ou un décès.

- 3) Ouvrez la bouteille en faisant pivoter la valve dans le sens inverse des aiguilles d'une montre. Attendez 60 secondes.
- 4) Grattez une allumette et placez la flamme à l'intérieur de l'orifice de l'allumette, au-dessous de l'allumeur.
- ⚠ MISE EN GARDE :** Ne vous penchez pas au-dessus du barbecue ouvert lorsque vous l'allumez.
- 5) Sélectionnez le brûleur Externe, enfoncez le bouton de commande et faites-le pivoter vers START/Hi.
- 6) Vérifiez que le brûleur est allumé en regardant à travers la grille de cuisson. Vous devriez voir une flamme.
- ⚠ MISE EN GARDE :** Si le brûleur ne s'allume pas, positionnez le bouton de commande du brûleur sur OFF puis patientez 5 minutes pour laisser le gaz se dissiper avant de faire une nouvelle tentative ou essayez de l'allumer au moyen d'une allumette.
- 7) Une fois que le brûleur Externe est allumé, vous pouvez allumer le brûleur Interne. Le brûleur Interne s'allume à partir du brûleur Externe.

POUR ETEINDRE

Enfoncez puis tournez chaque bouton de commande du brûleur dans le sens des aiguilles d'une montre vers la position OFF. Positionnez l'arrivée de gaz sur OFF à la source.



A. - OFF
C. - MOYENNE

B. - START/Hi
D. - FAIBLE

PROBLÈME	VÉRIFICATION	SOLUTION
Les brûleurs produisent une flamme jaune ou orange et il se dégage une odeur de gaz.	Inspecter les écrans pare-araignées/ insectes Weber® pour déceler les obstructions possibles. (Blocage des orifices.)	Nettoyer les écrans pare-araignées/insectes Weber®. (Voir la section Entretien annuel.)
Les brûleurs ne s'allument pas ou ils ont une petite flamme vacillante en position HIGH (Maximum) ou la température du barbecue n'atteint que 250°F (127°C) à 300° F (148°C) en position HIGH.	Il se peut que le dispositif de contrôle de débit excessif, qui fait partie du système de raccordement du barbecue à la bouteille, se soit déclenché.	Pour réarmer le dispositif de contrôle de débit excessif, tournez toutes les manettes de réglage et le robinet de la bouteille en position OFF (Arrêt). Débranchez le détendeur de la bouteille. Tournez les manettes de réglage en position HIGH (Maximum). Attendez pendant au moins 1 minute, puis remettez les manettes de réglage en position OFF. Raccordez le détendeur à la bouteille. Ouvrez doucement le robinet de cette dernière. Reportez-vous à la rubrique « Instructions d'allumage ».
Le brûleur ne s'allume pas, ou la flamme est basse en position HIGH (maximum).	Le niveau de propane liquéfié est-il trop bas ou la bouteille est-elle vide ?	Faites remplir la bouteille de propane liquéfié.
	Le tuyau de combustible est-il plié ou vrillé ?	Redressez le tuyau de combustible.
	Le brûleur externe s'allume-t-il au moyen d'une allumette ?	Si vous pouvez allumer le brûleur externe au moyen d'une allumette, alors vérifiez le système d'allumage.
Des flambées soudaines se produisent:	Préchauffez-vous le barbecue à gaz de la manière prescrite ?	Pour le réchauffage, les trois brûleurs doivent être sur HIGH (maximum) pendant 10 à 15 minutes.
	Les grilles de cuisson sont-elles fortement couvertes d'une accumulation de graisse carbonisée ?	Nettoyez-les à fond. (Voir la section «Nettoyage».)
	Le plateau inférieur est-il sale, empêchant ainsi la graisse de s'écouler dans la lèchefrite ?	Nettoyez le plateau inférieur.
Les flammes des brûleurs sont irrégulières. Les flammes sont basses alors que le brûleur est réglé sur HIGH (maximum). Les flammes n'apparaissent pas sur toute la longueur du tube de brûleur.	Les brûleurs sont-ils propres ?	Nettoyez les brûleurs. (Voir la section "Maintenance générale")
L'intérieur du couvercle paraît «s'écailler». (Cela ressemble à un écaillage de peinture.)	Le couvercle est en fonte d'aluminium, et ne contient pas de peinture. Il ne peut pas "s'écailler". Ce que vous voyez, c'est de la graisse carbonisée, qui s'est transformée en charbon et qui se détache par petits morceaux. CECI N'EST PAS UN DEFAULT.	(Voir la section «Nettoyage».)
Si vous ne parvenez pas à résoudre les problèmes grâce à ces méthodes, veuillez contacter le Représentant du service client de votre région à l'aide des coordonnées disponibles sur notre site Internet. Connectez-vous sur www.weber.com .		

ÉCRANS PARE-ARAIGNÉES/INSECTES

Votre barbecue au gaz Weber®, comme tout autre appareil au gaz utilisé à l'extérieur, attire les araignées et autres insectes. Ils peuvent se réfugier dans la section des venturis (Venturi (1), obturateur d'air (2), nervure des venturis (3)) des tubes des brûleurs. Cela entrave l'acheminement normal du gaz et peut amener celui-ci à refouler hors de l'obturateur d'air. Une telle situation pourrait provoquer un incendie dans les obturateurs d'air et autour de ceux-ci, sous le panneau de commande, causant des dommages sérieux à votre barbecue.

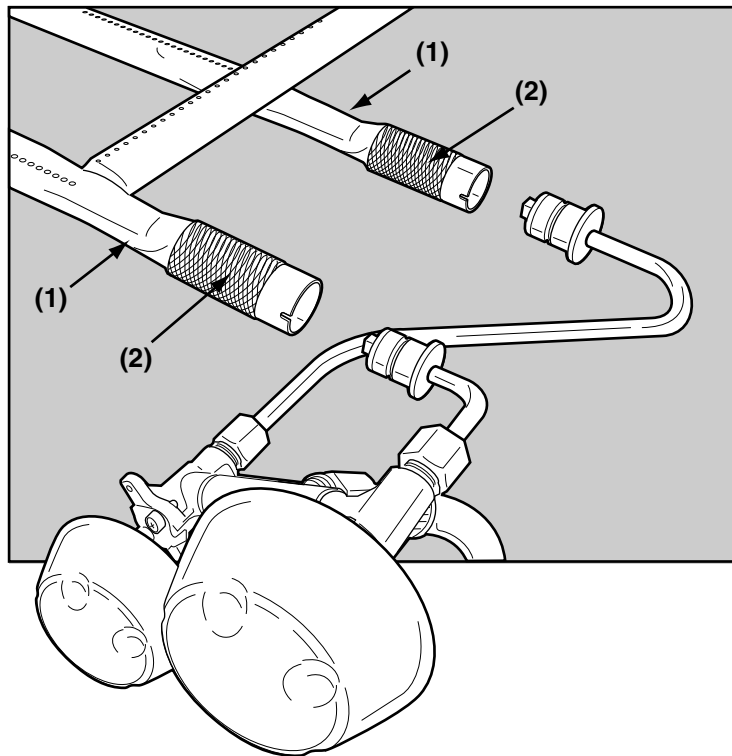
L'obturateur d'air du tube du brûleur est muni d'un écran en acier inoxydable (1), dont le but est d'empêcher les araignées et autres insectes d'accéder aux tubes des brûleurs par les ouvertures des obturateurs d'air.

Nous vous recommandons d'inspecter les écrans pare-araignées/insectes au moins une fois par an. (Voir la section Entretien annuel.) Inspecter également et nettoyer les écrans pare-araignées/insectes si les symptômes suivants venaient jamais à se manifester:

- 1) Odeur de gaz associée à des flammes de brûleurs jaunâtres et faibles.
- 2) Le barbecue n'atteint pas la température voulue.
- 3) Le barbecue chauffe inégalement.
- 4) Un ou plusieurs des brûleurs ne s'allument pas.

⚠ DANGER

Le fait d'ignorer les symptômes mentionnés ci-dessus peut entraîner un incendie qui pourrait provoquer de graves blessures ou la mort, ainsi que des dommages matériels.



INSPECTION ET NETTOYAGE DES ÉCRANS

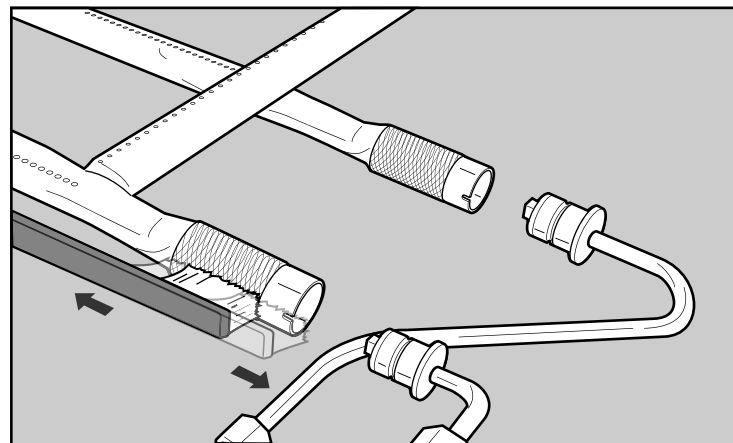
Pare-araignées/insectes

Pour inspecter les grilles anti-araignées/insectes, regardez au-dessous le plateau rabattable de droite derrière les boutons de commande. Si de la poussière ou des impuretés se trouvent sur les grilles, retirez les brûleurs pour nettoyer les grilles. Brossez légèrement les écrans pare-araignées/insectes à l'aide d'une brosse en soies douce (Voir la section Remplacement des Brûleurs principaux).

⚠ ATTENTION: Ne pas utiliser d'outils durs ou acérés. Ne pas déloger les écrans pare-araignées/insectes ou élargir le treillis des écrans.

Tapoter légèrement le brûleur pour déloger les débris et la saleté du tube. Une fois les écrans pare-araignées/insectes et les brûleurs nettoyés, replacer les brûleurs.

Si les écrans pare-araignées/insectes sont endommagés ou ne peuvent être nettoyés, veuillez contacter le Représentant du service client de votre région à l'aide des coordonnées disponibles sur notre site Internet. Connectez-vous sur www.weber.com®.

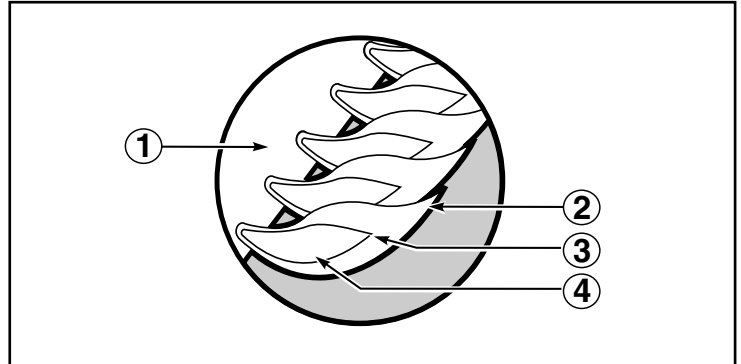


FLAMME DES BRÛLEURS PRINCIPAUX

Le mélange d'air et de gaz des brûleurs du barbecue à gaz Weber a été réglé à l'usine. La flamme correcte est illustrée.

- 1) Tube de brûleur
- 2) Pointes parfois jaunâtres
- 3) Bleu clair
- 4) Bleu foncé

Si les flammes ne paraissent pas uniformes sur toute la longueur du tube de brûleur, procédez comme suit pour nettoyer ce dernier.

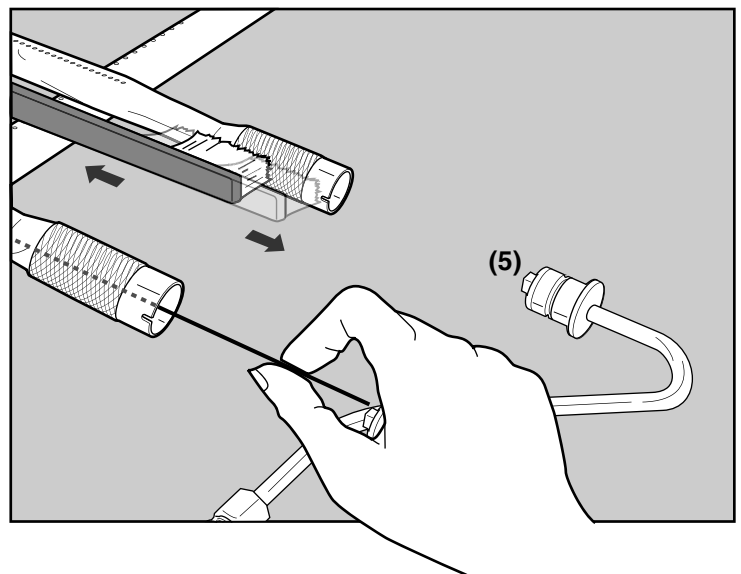
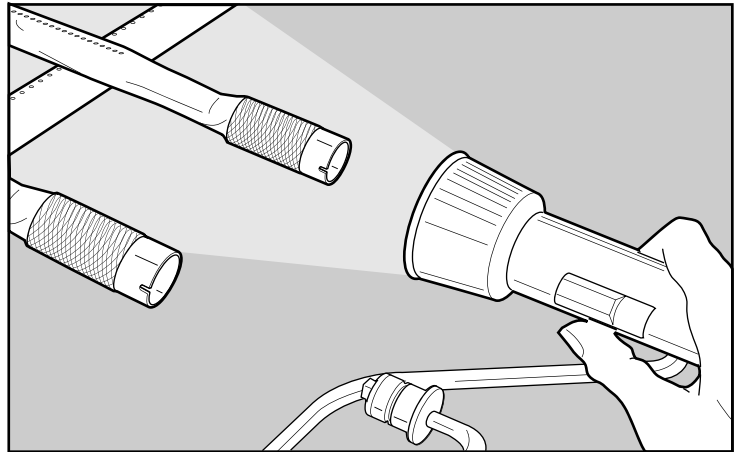


NETTOYAGE DES BRÛLEURS PRINCIPAUX

Coupez l'arrivée de gaz. Déposez le collecteur. Retirez les brûleurs en premier (Voir la section - Remplacement des brûleurs principaux).

Regardez à l'intérieur de chaque brûleur en vous éclairant d'une lampe de poche. Nettoyez l'intérieur des brûleurs avec un morceau de fil de fer (un cintre redressé fera l'affaire). Vérifiez et nettoyez l'ouverture du registre de ventilation aux extrémités des brûleurs. Vérifiez et nettoyez les orifices de la valve à la base de l'orifice du brûleur (5). Servez-vous d'une brosse en laiton pour nettoyer l'extérieur des brûleurs afin de garantir l'ouverture totale des orifices des brûleurs.

⚠ ATTENTION : n'agrandissez pas les orifices des brûleurs lors du nettoyage ces derniers.



REPLACEMENT DES BRULEURS PRINCIPAUX

- 1) Votre barbecue à gaz Weber® doit être à l'arrêt (OFF) et refroidi.
- 2) Fermez le gaz (OFF) à la source.
- 3) Ouvrez le couvercle puis retirez les grilles de cuisson.
- 4) Retirez l'écrou et la rondelle du Brûleur extérieur et du Brûleur intérieur.
- 5) Faites pivoter le brûleur externe selon un angle de 90° dans le sens des aiguilles d'une montre. Faites glisser et soulevez le brûleur pour l'éloigner de l'orifice du brûleur et retirez-le du boîtier de cuisson.
- 6) Répétez cette procédure pour le Brûleur intérieur.

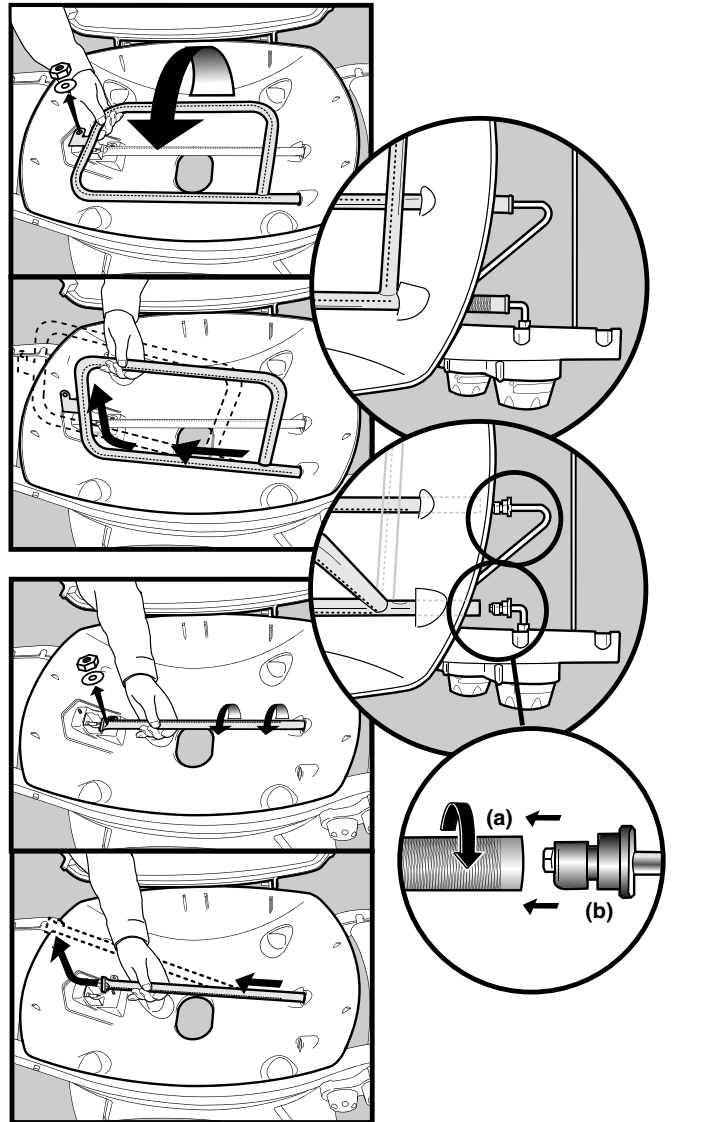
⚠ **ATTENTION : Un soin particulier doit être apporté lors du retrait ou de la re-mise en place des tubes du brûleur. Ne forcez pas ou ne pliez pas les conduites de gaz raccordant les tubes du brûleur à la valve de contrôle.**

- 7) Pour remettre les brûleurs en place, inversez les étapes 4) à 7).

⚠ **ATTENTION : Les orifices du brûleur(a) doivent être positionnés correctement au-dessus des orifices du brûleur(b).**

Vérifiez que le montage est correct avant de fixer les Tubes du brûleur en place.

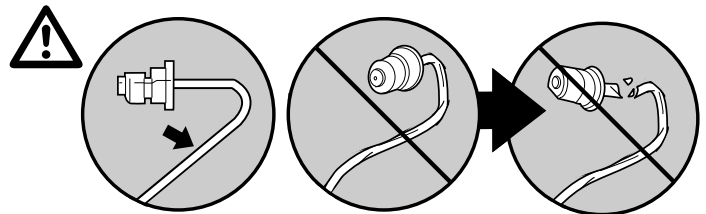
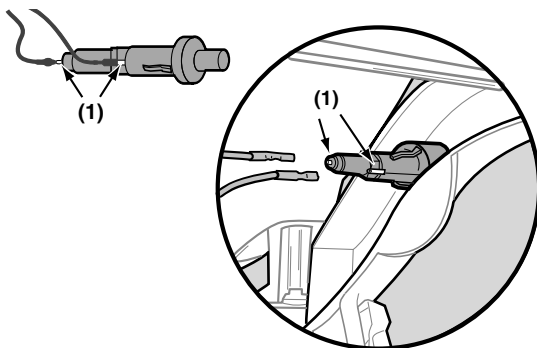
⚠ **MISE EN GARDE : Après la réinstallation des brûleurs, les raccords de gaz devraient faire l'objet d'une détection de fuites au moyen d'une solution d'eau savonneuse avant toute utilisation du barbecue. (Voir l'étape : "Vérifier les fuites de gaz.")**

**OPERATIONS DU DISPOSITIF D'ALLUMAGE**

Si le dispositif d'allumage ne parvient pas à allumer les brûleurs, veuillez vérifier l'allumeur.

- Vérifiez que les deux câbles d'allumage sont correctement fixés aux électrodes de l'allumeur(1).
- Vérifiez que le bouton d'allumage s'enfonce puis revient en position haute.

Si le dispositif d'allumage ne parvient toujours pas à allumer les brûleurs, veuillez contacter le Représentant du service clientèle de votre région à l'aide des coordonnées figurant sur notre site Internet. Connectez-vous sur www.weber.com.



WEBER-STEPHEN PRODUCTS CO.

www.weber.com®

©2007 The following trademarks are registered in the name of Weber-Stephen Products Co., an Illinois corporation, located at 200 East Daniels Road, Palatine, Illinois 60067 U.S.A. Australia; Smokey Joe, Weber, Kettle Silhouette®, Genesis, Austria; Kettle Silhouette®, Smokey Joe, Weber, Benelux; Kettle Silhouette®, Smokey Joe, Weber, Compact Grill Configuration, Botswana; Weber, Canada; Smokey Joe, Genesis, China; Kettle Silhouette®, Denmark; Kettle Silhouette®, Smokey Joe, Weber, Finland; Smokey Joe, France; Kettle Silhouette®, Smokey Joe, Weber, One-Touch, Germany; Smokey Joe, Weber, One-Touch, Greece; Smokey Joe, Ireland; Kettle Silhouette®, Smokey Joe, Italy; Smokey Joe, Weber, Japan; Smokey Joe, Weber, Korea; Smokey Joe, Weber, New Zealand; Weber, Smokey Joe, Nigeria; Weber, Norway; Smokey Joe, Weber, Portugal; Weber, South Africa; Smokey Joe, Weber, Kettle Configuration, Spain; Smokey Joe, Weber, Sweden; Kettle Silhouette®, Smokey Joe, Switzerland; Kettle Silhouette®, Smokey Joe, Weber, United Kingdom; Smokey Joe, Weber, Weber One-Touch, U.S.A.; Kettle Configuration, Kettle Silhouette®, Smokey Joe, Weber, One-Touch, Firespice, Go-Anywhere, U.S.A.; Kettle Configuration, Kettle Silhouette®, Genesis, Flavorizer, Crossover, Flamgo, Performer, Rapidfire, Tuck 'N Carry, Jumbo Joe, Bar-B-Kettle, Master-Touch, Spirit, Grill Out, Summit, Platinum, 1-800-Grill-Out, Ranch, Matchless Flame, Zimbabwe; Weber, Kettle Configuration, Kettle Silhouette®. Printed in USA.

Download from www.Somanuals.com. All Manuals Search And Download.



FOUR GOOD REASONS TO REGISTER YOUR WEBER® GRILL RIGHT NOW
CUATRO BUENAS RAZONES PARA REGISTRAR SU ASADOR WEBER® AHORA MISMO
QUATRE BONNES RAISONS D'ENREGISTRER VOTRE GRILL WEBER® DES MAINTENANT

Register your grill online at www.weber.com® (If you register online, you do not need to send in this registration card.)

Registre su asador en línea en www.weber.com® (Si usted se registra en línea, no necesita enviar esta tarjeta de registro.)

Enregistrez votre grill en ligne sur www.weber.com® (Si vous vous inscrivez en ligne, vous n'avez pas besoin de retourner la présente carte d'enregistrement.)

Spring, Summer, Fall, Winter. Four FREE issues of *Weber Nation*™, our hot e-mail newsletter all about grilling, will be coming your way. Each issue is packed with grilling tips and advice, triple-tested recipes, and everything you need to know to become a bona fide Weber Grilling Guru. All you have to do to activate your subscription is log on to www.weber.com and register your grill. We'll ask you a few short questions about the kind of food you like to grill and the topics that interest you so we can serve up your newsletter just the way you like it. Whether you are just starting out or a practiced hand at the grill, you'll get just what you need to perfect your skills. So don't put it off. Register now. Your hunger (and your pride) will thank you for it.

Primavera, Verano, Otoño, Invierno. Le estarán llegando cuatro ediciones GRATUITAS de *Weber Nation*™, nuestro candente boletín por correo electrónico acerca de todo lo concerniente a cocinar con asadores. Cada edición viene repleta con sugerencias y consejos prácticos respecto al cocinar con asadores, recetas probadas por triplicado, además de todo lo que usted necesita saber para convertirse en un genuino Guru Weber en Asar. Lo único que necesita hacer para activar su suscripción es conectarse a www.weber.com y registrar su asador. Le preguntaremos algunas breves preguntas sobre el tipo de comidas que le gusta asar y sobre los tópicos de su interés de manera que podamos servirle un boletín justo a su gusto. Bien sea que usted esté empezando a cocinar con asador o sea un veterano en el tema, usted recibirá justo lo que necesita para perfeccionar sus destrezas. Así que no lo deje para más tarde. Inscríbese ya Su apetito (y su orgullo) se lo agradecerán.

Printemps, Été, Automne, Hiver. Vous recevrez quatre exemplaires GRATUITS de *Weber Nation*™, notre lettre d'information électronique contenant toutes les actualités sur les grillades. Chaque numéro regorge d'astuces et de conseils pour les grillades, de recettes éprouvées, plus tout ce que vous devez savoir pour devenir un véritable Gourou des grillades Weber. Pour activer votre inscription, il vous suffit de vous connecter sur www.weber.com et d'enregistrer votre grill. Nous vous poserons quelques questions brèves sur le type d'aliments que vous aimez griller et sur les thèmes qui vous intéressent afin que nous puissions vous envoyer une lettre d'information adaptée à vos goûts. Que vous débutez ou que vous soyez expérimenté dans le domaine des grillades, vous recevrez juste ce dont vous avez besoin pour perfectionner vos compétences. Alors n'attendez pas. Inscrivez-vous dès maintenant. Votre appétit (et votre fierté) vous en remercieront.

1. How Can We Reach You? / ¿Cómo Podemos Ponernos En Contacto Con Usted? / Comment Pouvons-nous Vous Joindre?

First Name / Nombre / Prénom M.I. / Inicial / Seconde Initiale Last Name / Apellido / Nom

Address / Dirección / Adresse Apt. # / Apt. # / Apt. # City / Ciudad / Ville

State / Estado / État Zip Code / Código Postal / Code Postal Telephone / Teléfono / Téléphone () -

E-mail Address / Dirección De Correo Electrónico / Adresse E-mail

2. How would you prefer for us to contact you? / ¿Cómo preferiría que nos pongamos en contacto con usted? / Comment préféreriez-vous que nous vous contactions?

1. By US mail / Por correo / Par courrier postal américain
2. By e-mail / Por correo electrónico / Par e-mail
3. By phone / Por teléfono / Par téléphone
4. No preference / Ninguna preferencia / Aucune préférence
5. Please don't contact me unless it is in regards to a technical matter related to my grill / Por favor no se pongan en contacto conmigo a menos que sea sobre un tema técnico relacionado con el asador / Merci de ne me contacter que si votre appel concerne un problème technique concernant mon grill
6. I prefer to receive information in Spanish / Prefiero recibir información en español / Je préfère recevoir des informations en espagnol

3. When did you buy your grill? / ¿Cuándo compró usted el asador? / Quand avez-vous acheté votre grill?

Month / Mes / Mois Day / Día / Jour Year / Año / Année

4. Without tax, how much did you pay for your grill? / ¿Sin impuesto, cuánto pagó por el asador? / Hors taxes, combien avez-vous payé votre grill?

\$.00

5. Where did you buy your grill? / ¿Dónde compró el asador? / Où avez-vous acheté votre grill?

6. Which model did you purchase? / ¿Qué modelo compró? / Quel modèle avez-vous acheté?

1. Weber® Q®100
2. Weber® Q®120
3. Weber® Q®200
4. Weber® Q®220
5. Weber® Q®300

7. Have you ever owned a Weber grill before? / ¿Ha tenido alguna vez antes un asador Weber? / Avez-vous déjà possédé un grill Weber auparavant?

1. Yes Number of Weber® gas grills owned:
 Sí Número de asadores de gas Weber® que ha tenido:
 Oui Nombre de grills à gaz Weber® possédés:
 Number of Weber® charcoal grills owned:
 Número de asadores de carbón Weber® que ha tenido:
 Nombre de grills à charbon Weber® possédés:

2. No, this is my first Weber® grill / No, éste es mi primer asador Weber® / Non, il s'agit de mon premier grill Weber®

8. How do you primarily plan to use your Weber Q® grill? / ¿Cuál es el principal uso que le piensa dar a su asador Weber Q®? / Comment prévoyez-vous principalement d'utiliser votre grill Weber Q®?

1. At home as my main grill / En casa como mi asador principal / A la maison, comme grill principal
2. As a portable to take tailgating, on picnics, etc. / Como un asador portátil para usarlo en parrilladas improvisadas detrás de la camioneta, en picnics, etc. / En tant que grill portatif, à emmener à des fêtes d'avant-match, à des pique-niques, etc.

Thanks for sharing your contact information with us. Again, it all stays strictly between us — Weber does not share customers' names with anyone else. If you need replacement parts or have questions about the assembly, use or maintenance of your grill, please call Weber Customer Service.

Gracias por compartir su información de contacto con nosotros. De nuevo, todo quedará estrictamente entre nosotros — Weber no comparte los nombres de sus clientes con nadie. Si necesita partes de repuesto o tiene preguntas acerca del ensamblaje, uso o mantenimiento del su asador, por favor llame al Departamento de Soporte y Servicio al Cliente de Weber.

Merci de nous avoir communiqué vos coordonnées. Nous vous rappelons que ces informations resteront strictement entre nous : Weber ne communique les noms de ses clients à personne. Si vous avez besoin de pièces de rechange ou si vous avez des questions sur le montage, l'utilisation ou l'entretien de votre grill, veuillez consulter le Service Client de Weber.

For purchases made in the U.S.:

Para compras hechas en los Estados Unidos:

Pour les achats effectués aux États-Unis:

Product Registration
P.O. Box 1999
Palatine, IL 60078-1999
1-800-446-1071

For purchases made in Mexico:

Para compras hechas en México:

Pour les achats effectués au Mexique:

Weber-Stephen Products S.A. de C.V.
Av. López Mateos Sur No. 2077, Local 29
Col. Chapalita 44510 • Guadalajara, Jalisco
Teléfono – (33) 31 22 12 23
R.F.C. WPR 030919 ND4

For purchases made in Canada:

Para compras hechas en Canadá:

Pour les achats effectués au Canada:

Product Registration
P.O. Box 40530
Burlington, ON L7P 4W1
1-800-265-2150

Knowing more about who buys our grills helps the crew back in R&D come up with new cutting edge Weber products. Please fill in the answers you feel comfortable sharing with us, and pass by any question you prefer to leave blank. Thank you for being so generous.

Saber más sobre quién compra nuestros asadores ayuda al equipo de Investigación y Desarrollo a concebir nuevos productos Weber de avanzada. Por favor rellene las respuestas con las que se sienta más cómodo en compartir con nosotros, y pase por alto cualquier pregunta que prefiera dejar en blanco. Gracias por su generosidad.

Le fait de mieux connaître les personnes qui achètent nos grills aide le personnel du service R&D à développer de nouveaux produits Weber innovants. Veuillez répondre aux questions en fournissant les réponses pour lesquelles vous vous sentez à l'aise, et passez toute question que vous préférez laisser sans réponse. Nous vous remercions pour votre générosité.

9. Are you: / Es usted: / Vous êtes:

1. Male / Hombre / Un homme 2. Female / Mujer / Une femme

10. Are you married? / ¿Está casado? / Êtes-vous marié?

1. Yes / Sí / Oui 2. No / No / Non

11. What's your date of birth? / ¿Cuál es su fecha de nacimiento? / Quelle est votre date de naissance ?

Month / Mes / Mois

Day / Día / Jour

Year / Año / Année

12. Including yourself, how many people live in your household? / Incluyéndolo a usted, ¿cuántos viven en su casa? / Vous compris, combien de personnes composent votre foyer ?

1. Children under 18 (example 01, 02, etc.)
Niños menores de 18 (ejemplo 01, 02, etc.)
Enfants de moins de 18 ans (par exemple, 1 an, 2 ans, etc.)

2. Adults / Adultos / Adultes

13. Do you own or rent the place you call home? / ¿Posee o alquila el lugar que usted llama casa? / Possédez-vous ou louez-vous le lieu que vous appelez votre domicile ?

1. Own / Propio / Propriétaire 2. Rent / Alquiler / Locataire

14. What's your annual household income? / ¿Cuánto es su ingreso familiar anual? / Quel est le revenu annuel de votre foyer ?

1. <\$15,000 9. \$60,000-\$74,999
2. \$15,000-\$24,999 10. \$75,000-\$99,999
3. \$25,000-\$29,999 11. \$100,000-\$149,999
4. \$30,000-\$34,999 12. \$150,000-\$174,999
5. \$35,000-\$39,999 13. \$175,000-\$199,999
6. \$40,000-\$44,999 14. \$200,000-\$249,999
7. \$45,000-\$49,999 15. \$250,000-\$299,999
8. \$50,000-\$59,999 16. >\$300,000

15. Which activities or interests do you have that keep you (or your partner) busy? / ¿Qué actividades o intereses tiene que lo mantienen a usted (o a su compañero/a) ocupado? / Quelles sont les activités ou centres d'intérêt (pour vous ou votre conjoint) qui vous occupent ?

1. Arts or antiques / Artes o antigüedades / Arts ou antiquités
2. Bicycling / Ciclismo / Bicyclette
3. Boating or sailing / Náutica o velerismo / Bateau ou navigation
4. Buying videos / Comprar videos / Achat de vidéos
5. Subscribing to cable TV / Suscripción a televisión por cable / Inscriptions à la TV câblée
6. Camping or hiking / Acampar o excursionismo a pie / Camping ou marche
7. Attending cultural arts or events / Asistir a artes culturales o eventos / Assister à des représentations artistiques ou à des événements culturels
8. Dieting / Hacer dieta / Régime alimentaire
9. Donating to charity / Donar a obras caritativas / Dons à des organismes caritatifs
10. Fishing / Pesca / Pêche
11. Foreign travel / Viajes al extranjero / Voyages à l'étranger
12. Gardening or plants / Jardinería o plantas / Jardinage ou plantes
13. Golf / Golf / Golf
14. Grandchildren / Nietos / Petits-enfants
15. Houseplants / Plantas de interior / Plantes d'intérieur
16. Hunting / Caza / Chasse
17. Motorcycles / Motocicletas / Motocyclettes
18. Needlework / Costura / Couture
19. My cat / Mi gato / Mon chat
20. My dog / Mi perro / Mon chien
21. Listening to music on my CD player / Escuchar música en mi tocadiscos CD / Écouter de la musique sur mon lecteur CD
22. Listening to music on any device / Escuchar música en algún dispositivo / Écouter de la musique quel que soit l'appareil utilisé
23. Personal computers / Computadores personales / Ordinateurs personnels
24. Photography / Fotografía / Photographie
25. Physical fitness or exercise / Mantenerme en buena forma física o ejercicio / Fitness ou exercices physiques
26. Politics / Política / Politique
27. Running / Correr / Course
28. Shopping by mail order or catalog / Comprar por ventas por correo o catálogos / Achats par correspondance ou sur catalogue
29. Snow skiing / Esquiar sobre nieve / Ski
30. Stocks & bonds / Acciones y bonos / Actions & obligations
31. Tennis / Tenis / Tennis
32. Veterans' affairs / Asuntos de los veteranos de guerra / Affaires liées aux anciens combattants
33. Walking / Caminar / Marche
34. Watching sports on TV / Ver deportes por TV / Regarder le sport à la TV
35. Other / Otros / Autre

PLACE STICKER HERE / COLOQUE LA ETIQUETA
ADHESIVA AQUÍ / PLACEZ L'AUTOCOLLANT ICI

16. Serial number / número de serie / numéro de série

Free Manuals Download Website

<http://myh66.com>

<http://usermanuals.us>

<http://www.somanuals.com>

<http://www.4manuals.cc>

<http://www.manual-lib.com>

<http://www.404manual.com>

<http://www.luxmanual.com>

<http://aubethermostatmanual.com>

Golf course search by state

<http://golfingnear.com>

Email search by domain

<http://emailbydomain.com>

Auto manuals search

<http://auto.somanuals.com>

TV manuals search

<http://tv.somanuals.com>