

SPIRIT®



GAS GRILL

Natural Gas Grill Owner's Guide

E -210/310
SP-210/310

#89527



**YOU MUST READ THIS OWNER'S GUIDE
BEFORE OPERATING YOUR GAS GRILL**

⚠ DANGER

If you smell gas:

1. Shut off gas to the appliance.
2. Extinguish any open flames.
3. Open lid.
4. If odor continues, keep away from the appliance and immediately call your gas supplier or your fire department.

Leaking gas may cause a fire or explosion which can cause serious bodily injury or death, or damage to property.

⚠ WARNING

1. Do not store or use gasoline or other flammable liquids or vapors in the vicinity of this or any other appliance .
2. An LP cylinder not connected for use shall not be stored in the vicinity of this or any other appliance.

⚠ WARNING: Follow all leak-check procedures carefully in this manual prior to barbecue operation. Do this even if the barbecue was dealer-assembled.

NOTICE TO INSTALLER: These instructions must be left with the owner and the owner should keep them for future use.

THIS GAS APPLIANCE IS DESIGNED FOR OUTDOOR USE ONLY.

⚠ WARNING: Do not try to light this appliance without reading the "Lighting Instructions" section of this manual.



**89527 7/14/06 NG
US ENGLISH**

⚠ DANGER

Failure to follow the Dangers, Warnings and Cautions contained in this Owner's Manual may result in serious bodily injury or death, or in a fire or an explosion causing damage to property.

⚠ WARNINGS

- ⚠ Do not store a spare or disconnected liquid propane cylinder under or near this barbecue.
- ⚠ Improper assembly may be dangerous. Please carefully follow the assembly instructions in this manual.
- ⚠ After a period of storage, and/or nonuse, the Weber® gas barbecue should be checked for gas leaks and burner obstructions before use. See instructions in this manual for correct procedures.
- ⚠ Do not operate the Weber® gas barbecue if there is a gas leak present.
- ⚠ Do not use a flame to check for gas leaks.
- ⚠ Combustible materials should never be within 24 inches of the back or sides of your Weber® gas barbecue.
- ⚠ Do not put a barbecue cover or anything flammable on, or in the storage area under the barbecue.
- ⚠ Your Weber® gas barbecue should never be used by children. Accessible parts of the barbecue may be very hot. Keep young children away while it is in use.
- ⚠ You should exercise reasonable care when operating your Weber® gas barbecue. It will be hot during cooking or cleaning and should never be left unattended, or moved while in operation.
- ⚠ Should the burners go out while in operation, turn all gas valves off. Open the lid and wait five minutes before attempting to relight, using the lighting instructions.
- ⚠ Do not use charcoal or lava rock in your Weber® gas barbecue.
- ⚠ Never lean over open grill or place hands or fingers on the front edge of the cooking box.
- ⚠ Should a grease fire occur, turn off all burners and leave lid closed until fire is out.
- ⚠ Do not enlarge valve orifices or burner ports when cleaning the valves or burners.
- ⚠ The Weber® gas barbecue should be thoroughly cleaned on a regular basis.
- ⚠ Liquid propane gas is not natural gas. The conversion or attempted use of natural gas in a liquid propane unit or liquid propane gas in a natural gas unit is dangerous and will void your warranty.
- ⚠ Do not attempt to disconnect any gas fitting while your barbecue is in operation.
- ⚠ Use heat-resistant barbecue mitts or gloves when operating barbecue.
- ⚠ Keep any electrical supply cord and the fuel supply hose away from any heated surfaces.
- ⚠ Combustion byproducts produced when using this product contain chemicals known to the state of California to cause cancer, birth defects, or other reproductive harm.
- ⚠ Do not use this barbecue unless all parts are in place. The unit must be properly assembled according to the instructions outlined in the "Assembly Instructions".

LIQUID PROPANE GAS UNITS ONLY:

- ⚠ Use the regulator that is supplied with your Weber® gas barbecue.
- ⚠ Do not attempt to disconnect the gas regulator or any gas fitting while your barbecue is in operation.
- ⚠ A dented or rusty liquid propane cylinder may be hazardous and should be checked by your liquid propane supplier. Do not use a liquid propane cylinder with a damaged valve.
- ⚠ Although your liquid propane cylinder may appear to be empty, gas may still be present, and the cylinder should be transported and stored accordingly.
- ⚠ If you see, smell or hear the hiss of escaping gas from the liquid propane cylinder:
 1. Move away from liquid propane cylinder.
 2. Do not attempt to correct the problem yourself.
 3. Call your fire department.

Weber-Stephen Products Co. (Weber) hereby warrants to the ORIGINAL PURCHASER of this Weber® gas grill that it will be free of defects in material and workmanship from the date of purchase as follows:

Aluminum Castings,	25 years
Casting Paint,	2 years no burn-off
Porcelain Lid Section,	10 years
Stainless Steel Lid Section,	25 years no rust through or burn through
Stainless Steel Burners Tubes,	10 years no rust through
Porcelain Enameled Cast Iron	
Cooking Grates,	5 years no rust through or burn through
Porcelain Enameled	
Flavorizer® Bars,	3 years no rust through or burn through
Stainless Steel Cooking Grates,	7 years no rust through or burn through
Stainless Steel Flavorizer® Bars,	7 years no rust through or burn through
All Remaining Parts,	2 years

when assembled and operated in accordance with the printed instructions accompanying it. Weber may require reasonable proof of your date of purchase. THEREFORE, YOU SHOULD RETAIN YOUR SALES SLIP OR INVOICE.

This Limited Warranty shall be limited to the repair or replacement of parts that prove defective under normal use and service and which on examination shall indicate, to Weber's satisfaction, they are defective. Before returning any parts, contact the Customer Service Representative in your area using the contact information on our website. If Weber confirms the defect and approves the claim, Weber will elect to replace such parts without charge. If you are required to return defective parts, transportation charges must be prepaid. Weber will return parts to the purchaser, freight or postage prepaid.

This Limited Warranty does not cover any failures or operating difficulties due to accident, abuse, misuse, alteration, misapplication, vandalism, improper installation or improper maintenance or service, or failure to perform normal and routine maintenance, including but not limited to damage caused by insects within the burner tubes, as set out in this owner's manual.

Deterioration or damage due to severe weather conditions such as hail, hurricanes, earthquakes or tornadoes, discoloration due to exposure to chemicals either directly or in the atmosphere, is not

covered by this Limited Warranty.

There are no other express warrants except as set forth herein and any applicable implied warranties of merchantability and fitness are limited in duration to the period of coverage of this express written Limited Warranty. Some regions do not allow limitation on how long an implied warranty lasts, so this limitation may not apply to you.

Weber is not liable for any special, indirect or consequential damages. Some regions do not allow the exclusion or limitation of incidental or consequential damages, so this limitation or exclusion may not apply to you.

Weber does not authorize any person or company to assume for it any other obligation or liability in connection with the sale, installation, use, removal, return, or replacement of its equipment; and no such representations are binding on Weber.

This Warranty applies only to products sold at retail.

WEBER-STEPHEN PRODUCTS CO.
Customer Service Center
1890 Roselle Road, Suite 308
Schaumburg, IL 60195
USA

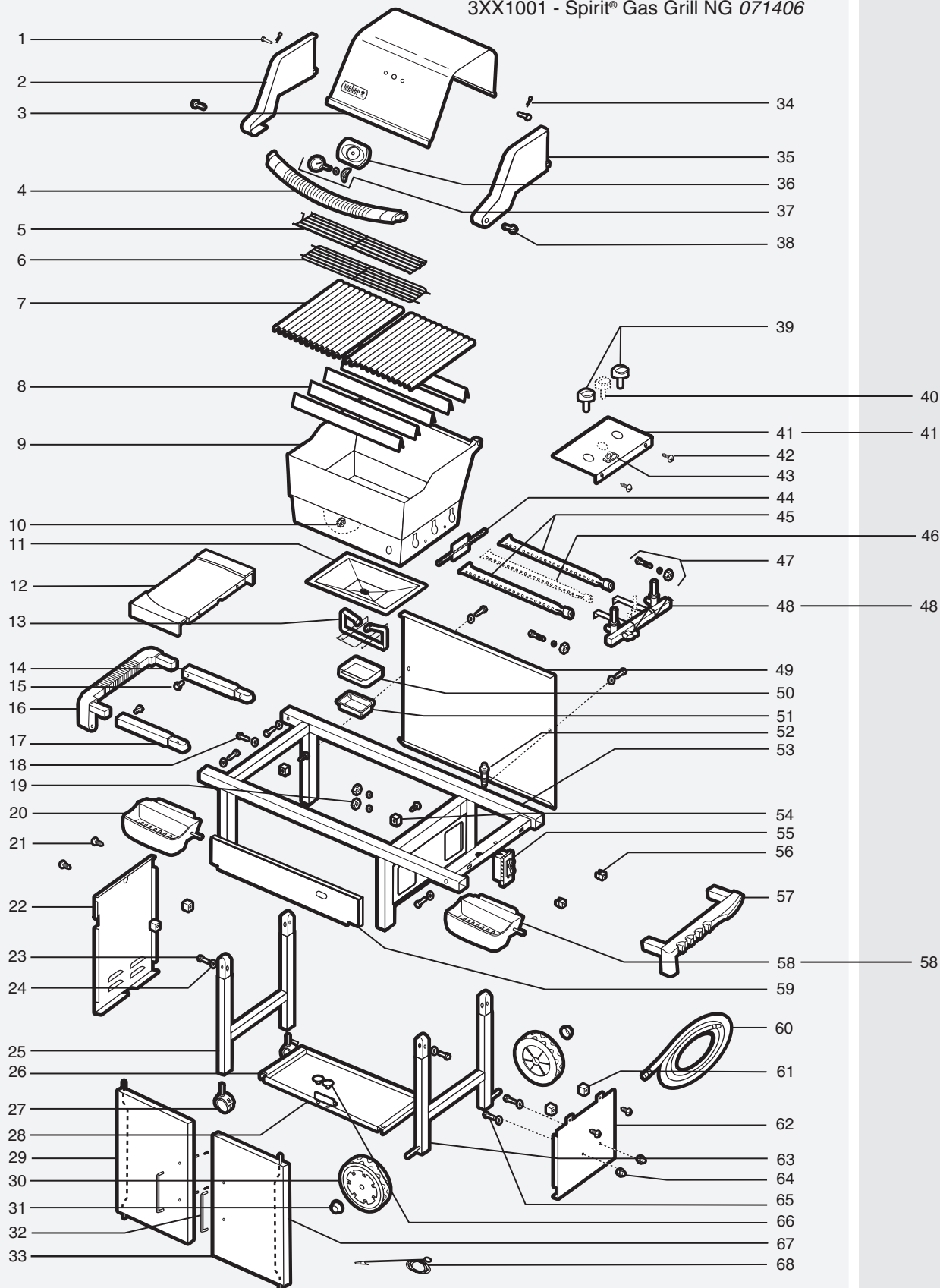
For replacement parts call:

1-800-446-1071
www.weber.com®

SPIRIT® E/SP-210, E/SP-310

SPIRIT®
E/SP-310

3XX1001 - Spirit® Gas Grill NG 071406



- | | | | |
|---|--|---|---|
| 1. Hinge Pin
Pasador de bisagra
Axe d'articulation | 20. Condiment Basket
Canastilla de condimentos
Panier à condiments | 40. Control Panel Knob
Perilla de control
Manette de réglage | 58. Condiment Basket
Canastilla de condimentos
Panier à condiments |
| 2. Left Endcap
Capacete izquierdo
Capuchon d'extrémité gauche | 21. Panel Hardware
Elementos de Panel
Boulonnerie de Panneau | 41. Control Panel
Panel de control
Panneau de commande | 59. Front Panel
Quegador delantero
Panneau avant |
| 3. Shroud
Cubierta
Protection | 22. Left Frame Panel
Tablero del bastidor izquierdo
Panneau du cadre gauche | 42. Control Panel Hardware
Tornillería del panel de control
(Destornillador Phillips y arandelas Visserie du panneau de commande (vis à empreinte cruciforme et rondelles) | 60. Hose
Manga
Tuyau |
| 4. Handle
Asa
Poignée | 23. 1/4 - 20 x 1 inch Bolt
Pernos de 1/4"
(Pernos de 1/4" x 20 x 1/4")
Boulons de 1/4 po
(1/4 x 20 x 1/4 po) | 43. Crossover® Ignition Button
Botón del encendedor®
Bouton d'allumeur® | 61. Right Frame Panel Hardware
Elementos de Tablero del bastidor derecho
Boulonnerie de Panneau du cadre droit |
| 5. Warm-Up™ Basket
Canasta Warm-Up™
Panier Warm-Up™ | 24. Nylon Washer
Arandela de nilón
Rondelle en nylon | 44. Crossover® Tube
Tubo Crossover®
Tube Crossover® | 62. Right Frame Panel
Tablero del bastidor derecho
Panneau du cadre droit |
| 6. Warming Rack
Parrilla para calentar
Grille de réchauffage | 25. Caster Frame
Bastidor para los rodillos
Châssis des roulettes | 45. Front/Rear Burner
Quegador frontal/trasero
Brûleur avant / arrière | 63. Wheel Frame
Bastidor para las ruedas
Châssis des roues |
| 7. Cooking Grates
Parrilla para asar
Grilles de cuisson | 26. Door Bushing
Buje de puerta
Bague de porte | 46. Center Burner
Quegador Central
Brûleur central | 64. Cylinder Glides
Soportes de la bombona
Glissières de bouteille |
| 8. Flavorizer® Bars
Barras Flavorizer®
Barres Flavorizer® | 27. Caster
Rodillo
Roulette | 47. Manifold Hardware
Tornillería del distribuidor
Boulonnerie de collecteur | 65. 1/4 - 20 x 1 3/4 inch Bolt
Pernos de 1 3/4"
(Pernos de 1/4" x 20 x 1 3/4")
Boulons de 1 3/4 po
(1/4 x 20 x 1 3/4 po) |
| 9. Cooking Box
Cámara para asar
Cuve | 28. Bottom Shelf
Estante inferior
Plateau inférieur | 48. Manifold, Hose and Regulator
Distribuidor, manguera y regulador
Collecteur, tuyau et détendeur | 66. Door Glides
Deslizadores de la puerta
Glissières de la porte |
| 10. 1/4-20 Keps Nut
Tuerca de enclavamiento (Tuerca de enclavamiento de 1/4" x 20)
Écrou Keps (1/4 x 20) | 29. Left Door
Puerta izquierda
Porte gauche | 49. Rear Panel
Panel trasero
Panneau arrière | 67. Hinge Rods
Varilla articulada
Tige d'articulation |
| 11. Slide-Out Bottom Tray
Bandeja del fondo
Plateau inférieur amovible | 30. Wheel
Ruedas
Roues | 50. Catch Pan
Bandeja para recoger el exceso de grasa
Lèchefrite | 68. Matchlight Holder
Sujetador de Fósforo
Support d'allumage par allumette |
| 12. Work Surface
Superficie de trabajo
Plan de travail | 31. Hubcap
Tapacubos
Couvre-moyeux | 51. Disposable Drip Pan
Bandejas recoge gotas
Barquette jetable | |
| 13. Catch Pan Holder
Soporte de la bandeja para recoger el exceso de grasa
Support de lèchefrite | 32. Handle
Asa
Poignée | 52. Igniter
Encendedor
Allumeur | |
| 14. Left Rear Trim Assembly Arm
Brazo de la estructura de ajuste trasera izquierda
Bras de la garniture arrière gauche | 33. Right Door
Puerta derecha
Porte droite | 53. Top Frame Assembly
Estructura de bastidor superior
Longeron de cadre de châssis sommet | |
| 15. 1/4 - 14 x 5/8 inch Bolt
Pernos de 5/8"
(Pernos de 1/4" x 14 x 5/8")
Boulons de 5/8 po
(1/4 x 14 x 5/8 po) | 34. Hair Pin Cotter
Pasador de horquilla
Goupille bêta | 54. Front Panel Hardware
Herrajes del tablero frontal
Matériel du panneau avant | |
| 16. Left Trim Piece
Pieza de ajuste izquierda
Garniture gauche | 35. Right Endcap
Capacete derecho
Capuchon d'extrémité droite | 55. Fuel Gauge
Medidor del gas
Jauge de combustible | |
| 17. Left Front Trim Assembly Arm
Left Front Trim Assembly Arm
Bras de la garniture avant gauche | 36. Thermometer Bezel Assembly
Ensamblaje biselado para el termómetro
Montage de la collerette de fixation du thermomètre | 56. Control Panel Hardware
Tornillería del panel de control
(Destornillador Phillips y arandelas Visserie du panneau de commande (vis à empreinte cruciforme et rondelles) | |
| 18. 1/4 - 20 x 2 1/4 inch Bolt
Pernos de 2 1/4"
(Pernos de 1/4" x 20 x 2 1/4")
Boulons de 2 1/4 po
(1/4 x 20 x 2 1/4 po) | 37. Thermometer Assembly
Termómetro
Thermomètre | 57. Right Trim Piece
Pieza de ajuste derecha
Garniture droite | |
| 19. Fuel Gauge Hardware
Elementos de Medidor del gas
Boulonnerie de Jauge de combustible | 38. Handle Hardware
Elementos de Asa
Boulonnerie de Poignée | | |
| | 39. Control Panel Knobs
Perilla de control
Manette de réglage | | |

Your Weber® gas barbecue is a portable outdoor cooking appliance. With the Weber® gas barbecue you can grill, barbecue, roast and bake with results that are difficult to duplicate with indoor kitchen appliances. The closed lid and Flavorizer® bars produce that "outdoor" flavor in the food.

The Weber® gas barbecue is portable so you can easily change its location in your yard or on your patio. Portability means you can take your Weber® gas barbecue with you if you move.

The natural gas supply is easy to use and gives you more cooking control than charcoal fuel.

- These instructions will give you the minimum requirements for assembling your Weber® gas barbecue. Please read the instructions carefully before using your Weber® gas barbecue. Improper assembly can be dangerous.
- Not for use by children.
- If there are local codes that apply to portable gas grills, you will have to conform to them. If there are no local codes, you must conform to the latest edition of the National Fuel Gas Code: ANSI Z 223.1/NFPA 54, or CAN/CGA-B149.1, Natural Gas and Propane Installation Code.
- This Weber® gas barbecue is designed for natural (piped in city) gas only. Do not use liquid propane (LP) bottled gas. The valves, orifices and hose are for natural gas only.
- Do not use with charcoal fuel.
- Check that the area under the control panel and the bottom tray are free from debris that might obstruct the flow of combustion or ventilation air.

FOR INSTALLATION IN CANADA

These instructions, while generally acceptable, do not necessarily comply with the Canadian Installation codes, particularly with piping above and below ground. In Canada the installation of this appliance must comply with local codes and/or Standards CAN/CGA-B149.1 (Installation Code for Natural Gas Burning Appliances and Equipment).

STORAGE

- The gas must be turned off at the natural gas supply when the Weber® gas barbecue is not in use.
- When the Weber® gas barbecue is stored indoors, the gas supply must be disconnected.
- The Weber® gas barbecue should be checked for gas leaks and any obstructions in the burner tubes before using. (See Sections: "General Maintenance and Annual Maintenance.")
- Check that the areas under the control panel and the slide out bottom tray are free from debris that might obstruct the flow of combustion or ventilation air.
- The Spider /Insect Screens should also be checked for any obstructions. (See Section: "Annual Maintenance.")

COOKING

⚠ WARNING: Do not move the Weber® gas barbecue when operating or while barbecue is hot.

You can adjust the FRONT and BACK burners as desired. The control settings: High (H), Medium (M), Low (L), or OFF (O) are described in your Weber® cookbook. The cookbook uses these notations to describe the settings of the FRONT and BACK burners. For example, to sear steaks, you would set all burners at H (High). Then to complete cooking, you would set FRONT and BACK at M (Medium). Refer to your Weber® cookbook for detailed cooking instructions.

Note: The temperature inside your cooking box for the first few uses, while surfaces are still very reflective, may be hotter than those shown in your cookbook. Cooking conditions. Such as wind and weather, may require the adjustment of the burner controls to obtain the correct cooking temperatures.

Preheating - Your Weber® gas barbecue is an energy-efficient appliance. It operates at an economical low BTU rate. To preheat: after lighting, close lid and turn all burners to high (HH). Preheating to between 500° and 550° F (260° and 290° C) will take 10 to 15 minutes depending on conditions such as air temperature and wind.

Drippings and grease - The Flavorizer® bars are designed to "smoke" the correct amount of drippings for flavorful cooking. Excess drippings and grease will accumulate in the catch pan under the slide out bottom tray. Disposable foil drip pans are available that fit the catch pan.

OPERATING

- ⚠ **WARNING: Only use this barbecue outdoors in a well-ventilated area. Do not use in a garage, building, breezeway or any other enclosed area.**
- ⚠ **WARNING: Your Weber® gas barbecue shall not be used under overhead combustible construction.**
- ⚠ **WARNING: Your Weber® gas barbecue is not intended to be installed in or on recreational vehicles and/or boats.**
- ⚠ **WARNING: Do not use the barbecue within 24 inches of combustible materials, top, bottom, back or sides of the grill.**
- ⚠ **WARNING: The entire cooking box gets hot when in use. Do not leave unattended.**
- ⚠ **WARNING: Keep any electrical supply cord and the fuel supply hose away from any heated surface.**
- ⚠ **WARNING: Keep the cooking area clear of flammable vapors and liquids, such as gasoline, alcohol, etc., and combustible materials.**

GAS SUPPLY TESTING

- Disconnect your Weber® gas barbecue when the gas supply is being tested at high pressures. This appliance and its individual shutoff valve must be disconnected from the gas supply piping system during any pressure testing of that system at test pressures in excess of 1/2 psig (3.5 kPa).
- Turn OFF your Weber® gas barbecue when the gas supply is being tested at low pressures. This appliance must be isolated from the gas supply piping system by closing its individual manual shutoff valve during any pressure testing of the gas supply piping system at the pressure equal to or less than 1/2 psig (3.5 kPa).

⚠ **WARNING: Check the bottom tray for grease build-up before each use. Remove excess grease to avoid a grease fire in the slide out bottom tray.**

CLEANING

⚠ **WARNING: Turn your Weber® gas barbecue OFF and wait for it to cool before cleaning.**

Outside surfaces - Use a warm soapy water solution to clean, then rinse with water.

⚠ **CAUTION: Do not use oven cleaner, abrasive cleansers (kitchen cleansers) cleaners that contain citrus products, or abrasive cleaning pads on barbecue or cart surfaces.**

Flavorizer® bars and Cooking grates - Clean with a suitable brass bristle brush. As needed, remove from grill and wash with warm soapy water, then rinse with water.

⚠ CAUTION: Do not clean your Flavorizer® bars or cooking grates in a self-cleaning oven.

For availability of replacement cooking grates and Flavorizer® bars Contact the Customer Service Representative in your area using the contact information on our web site. Log onto www.weber.com.

Slide out Bottom tray - Remove excess grease, then wash with warm soapy water, then rinse.

Catch pan - Disposable foil trays are available, or you can line the catch pan with aluminum foil. To clean the catch pan, wash with warm soapy water, then rinse.

Thermometer - Wipe with warm soapy water; clean with plastic scrub ball.

Inside cooking module - Brush any debris off of burner tubes. **DO NOT ENLARGE BURNER PORTS (OPENINGS)**. Wash inside of cooking box with warm soapy water and a water rinse.

Inside Lid - While lid is warm, wipe inside with paper towel to prevent grease build-up. Flaking built-up grease resembles paint flakes.

Stainless steel surfaces - Preserve Your Stainless Steel - Your grill or its cabinet, lid, control panel and shelves may be made from stainless steel. In order to keep the stainless steel looking its best is easy. Simply clean it with soap and water, rinse with clean water and wipe dry. A non-metallic brush can be used for stubborn stains.

⚠ IMPORTANT: Do not use wire brushes or abrasive cleaners on the stainless steel surfaces of your grill, as this will leave scratches.

⚠ IMPORTANT: Do not use cleaners that contain chlorine bleach on the stainless steel surface of your grill.

⚠ IMPORTANT: When cleaning surfaces, be sure to rub/wipe in the direction of the grain to preserve the look of your stainless steel.

Thermoset surfaces - Wash with a soft cloth and a soap and water solution.

Do not use cleaners that contain acid, mineral spirits or xylene. Rinse well after cleaning.

Thermoset work surfaces are not to be used as cutting boards.

GAS INSTRUCTIONS

INSTALL GAS SUPPLY

General Specifications for Piping

Note: Contact your local municipality for building codes regulating outdoor gas barbecue installations. In absence of Local Codes, you must confirm to the latest edition of the National Fuel Gas Code: ANSI Z 223.1/NFPA 54, or CAN/CGA-B149.1, Natural Gas and Propane Installation Code. **WE RECOMMEND THAT THIS INSTALLATION BE DONE BY A PROFESSIONAL.**

Some of the following are general requirements taken from the latest edition of the National Fuel Gas Code: ANSI Z 223.1/NFPA 54, or CAN/CGA-B149.1, Natural Gas and Propane Installation Code for complete specifications.

- This barbecue is designed to operate at 7 inches of water column pressure (.2526 psi).
A manual shut-off valve must be installed outdoors, immediately ahead of the quick disconnect.
- An additional manual shut-off valve indoors should be installed in the branch fuel line in an accessible location near the supply line
- The quick disconnect connects to a 3/8 inch NPT thread from the gas source. The quick disconnect fitting is a hand-operated device that automatically shuts off the flow of gas from the source when the barbecue is disconnected
- The quick disconnect fitting can be installed horizontally, or pointing downward. Installing the fitting with the open end pointing upward can result in collecting water and debris.
- The dust covers (supplied plastic plugs) help keep the open ends of the quick disconnect fitting clean while disconnected.
- Pipe compound should be used which is resistant to the action of natural gas when connections are made.
- The outdoor connector must be firmly attached to rigid, permanent construction.

⚠ WARNING: Do not route the 10 foot hose under a deck. The hose must be visible.

GAS LINE PIPING

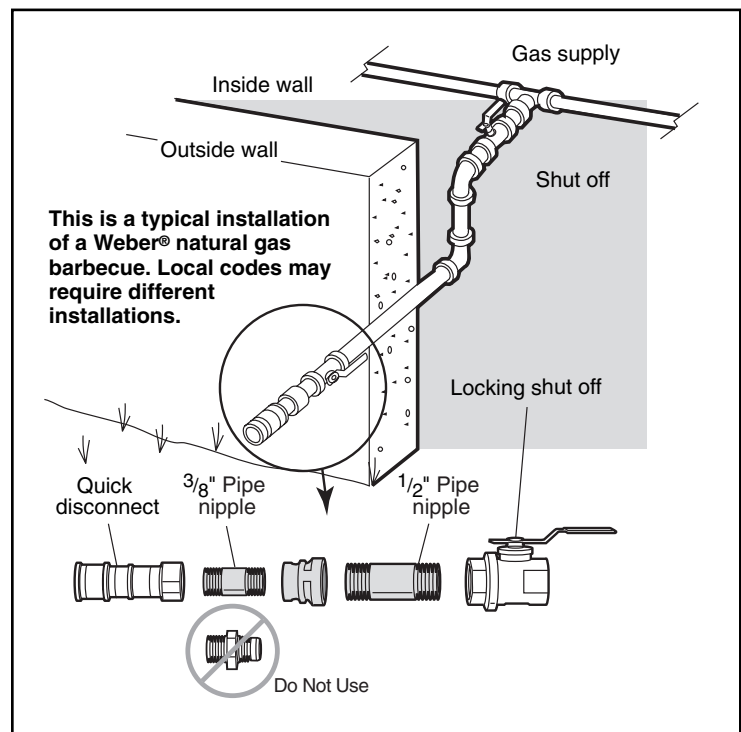
- If the length of the line required does not exceed 50 feet, use a 5/8" O.D. tube. One size larger should be used for lengths greater than 50 feet.
- Gas piping may be copper tubing, type K or L; polyethylene plastic tube, with a minimum wall thickness of .062 inch; or standard weight (schedule 40) steel or wrought iron pipe.
- Copper tubing must be tin-lined if the gas contains more than 0.3 grams of hydrogen sulfide per 100 cubic feet of gas.
- Plastic tubing is suitable only for outdoor, underground use.
- Gas piping in contact with earth, or any other material which may corrode the piping, must be protected against corrosion in an approved manner.
- Underground piping must have a minimum of 18" cover

TEST CONNECTIONS

All connections and joints must be thoroughly tested for leaks in accordance with local codes and all listed procedures in the latest edition of the National Fuel Gas Code: ANSI Z 223.1/NFPA 54, or CAN/CGA-B149.1

⚠ DANGER

Do not use an open flame to check for gas leaks. Be sure there are no sparks or open flames in the area while you check for gas leaks. This will result in a fire or explosion which can cause serious bodily injury or death and damage to property.



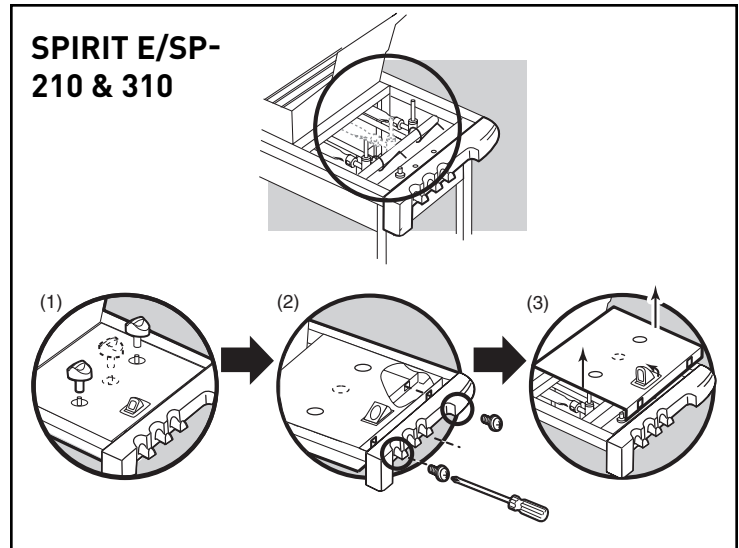
LEAK CHECK PREPARATION**CHECK THAT ALL BURNER VALVES ARE OFF**

Valves are shipped in the OFF position, but you should check to be sure that they are turned off. Check by pushing down and turning clockwise. If they do not turn, they are off. Proceed to the next step. If they do turn continue turning them clockwise until they stop, then they are off. Proceed to the next step.

REMOVE CONTROL PANEL AND BURNER CONTROL KNOBS

You will need: Phillips screwdriver.

- 1) Remove control knobs.
- 2) Remove screws with a Phillips screwdriver
- 3) Pull up igniter button until it sticks in the up position and remove control panel from grill.
- 4) Replace control panel when Leak Check is completed.

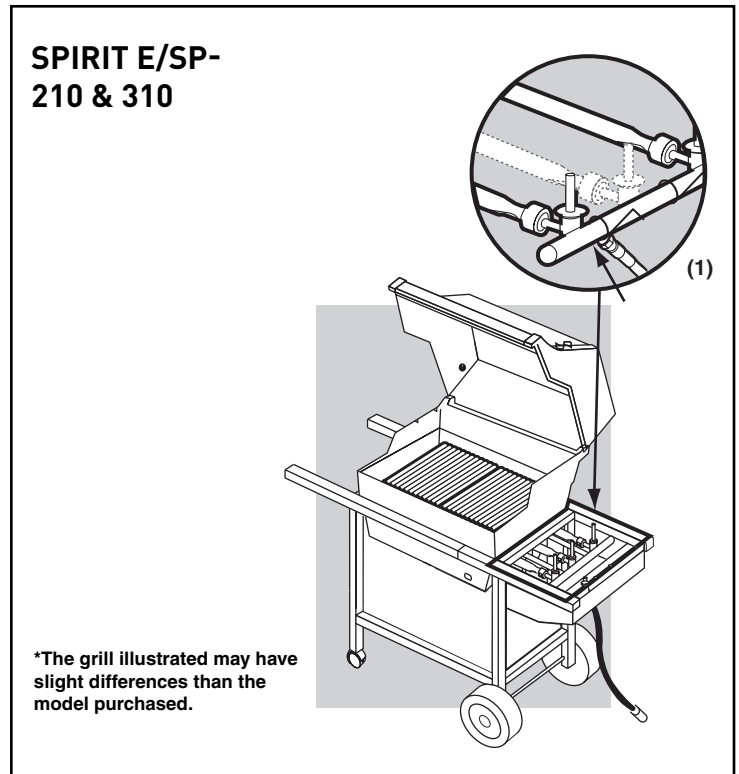
**CHECK THE FLEXIBLE HOSE TO MANIFOLD CONNECTION**

The Natural gas hose has been attached during the manufacturing process. We do recommend that the hose to gas manifold connection be leak tested, following guidelines in this Owners Guide, prior to barbecue operation.

Check:

- 1) Hose to manifold connection.

⚠ WARNING: If there is a leak at connection (1), retighten the fitting with a wrench and recheck for leaks with soap and water solution. If a leak persists after retightening the fitting, turn OFF the gas. DO NOT OPERATE THE GRILL. Contact the Customer Service Representative in your area using the contact information on our web site. Log onto www.weber.com.



CHECK FOR GAS LEAKS

⚠ DANGER

Do not use an open flame to check for gas leaks. Be sure there are no sparks or open flames in the area while you check for leaks. Sparks or open flames will result in a fire or explosion which can cause serious bodily injury or death and damage to property.

⚠ WARNING: You should check for gas leaks every time you disconnect and reconnect a gas fitting.

Note: All factory-made connections have been thoroughly checked for gas leaks. The burners have been flame-tested. As a safety precaution however, you should recheck all fittings for leaks before using your Weber® gas barbecue. Shipping and handling may loosen or damage a gas fitting.

⚠ WARNING: Perform these leak checks even if your barbecue was dealer or store assembled.

You will need: a soap and water solution, and a rag or brush to apply it. Make sure side burner is OFF (See **LEAK CHECK PREPARATION**). Remove valve control knob and screws. Remove porcelain top.

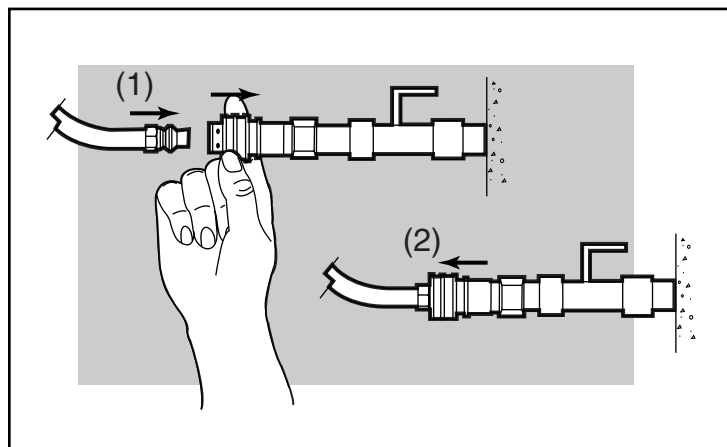
To perform leak checks: Slide back the collar of the quick disconnect. Push male fitting of the hose into the quick disconnect, and maintain pressure. Slide the collar closed. If it does not engage or lock, repeat procedure. Gas will not flow unless the quick disconnect is properly engaged.

Turn on gas supply.

Check for leaks by wetting the connections with the soap and water solution and watching for bubbles. If bubbles form or if a bubble grows, there is a leak.

Note: Since some leak test solutions, including soap and water, may be slightly corrosive, all connections should be rinsed with water after checking for leaks.

⚠ WARNING: Do not ignite burners when leak checking.



Check:

1) Hose to manifold connection.

⚠ WARNING: If there is a leak at connection (1), retighten the fitting with a wrench and recheck for leaks with soap and water solution. If a leak persists after retightening the fitting, turn OFF the gas. DO NOT OPERATE THE GRILL. Contact the Customer Service Representative in your area using the contact information on our web site. Log onto www.weber.com.

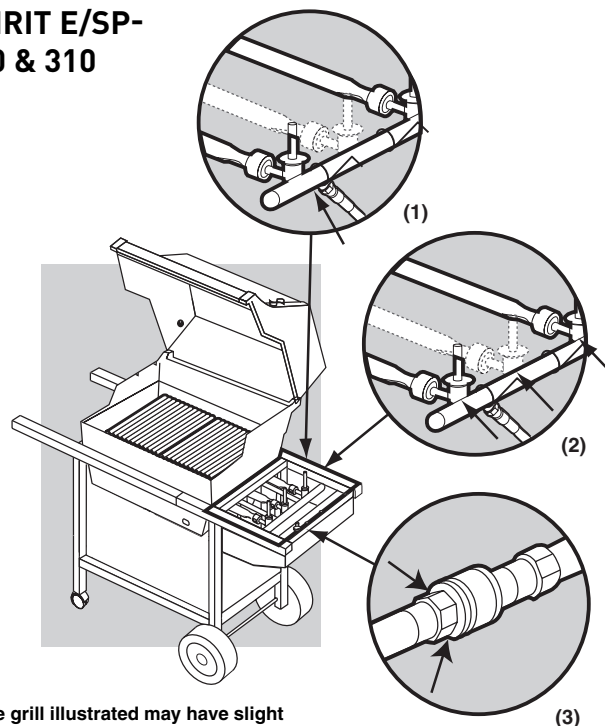
2) Valves to manifold connection

3) Hose to quick disconnect connection

⚠ WARNING: If there is a leak at connections (2) or (3) turn OFF the gas. DO NOT OPERATE THE GRILL. Contact the Customer Service Representative in your area using the contact information on our web site. Log onto www.weber.com.

When leak checks are complete, turn gas supply OFF at the source and rinse connections with water.

SPIRIT E/SP-210 & 310



*The grill illustrated may have slight differences than the model purchased.

LIGHTING

Summary lighting instructions are on the control panel.

⚠ DANGER

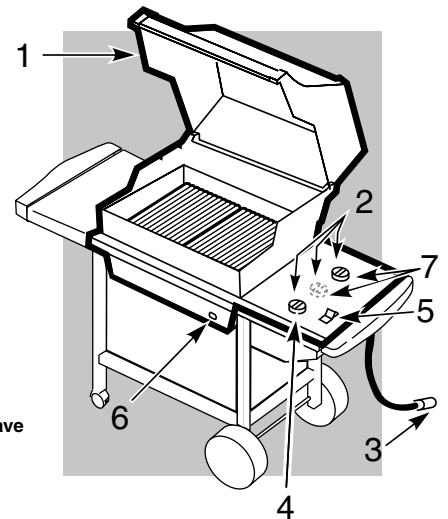
Failure to open the lid while igniting the barbecue's burners, or not waiting 5 minutes to allow the gas to clear if the barbecue does not light, may result in an explosive flame-up which can cause serious bodily injury or death.

Crossover® Ignition System

Note: The Crossover® ignition system ignites the Front burner with a spark from the igniter electrode inside the Gas Catcher™ ignition chamber. You generate the energy for the spark by pushing the Crossover® ignition button until it clicks.

⚠ WARNING: Check hose before each use of barbecue for nicks, cracking, abrasions or cuts. If the hose is found to be damaged in any way, do not use the barbecue. Replace using only Weber® authorized replacement hose. Contact the Customer Service Representative in your area using the contact information on our web site. Log onto www.weber.com®.

- 1) Open the lid.
 - 2) Make sure all burner control knobs are turned OFF. (Push each burner control knob down and turn clockwise to ensure that they are in the off position.)
 - 3) Turn the gas supply valve on.
- ⚠ WARNING: Do not lean over the open barbecue. Keep your face and body at least one foot away from the matchlight hole when lighting the barbecue.**
- 4) Push Front burner control knob down and turn to START/HI.
 - 5) Push the Crossover® Ignition Button several times, so it clicks each time.
 - 6) Check that the burner is lit by looking through the matchlight hole on the front of the cooking box. You should see flame.
- ⚠ WARNING: If the burner does not light, turn the Front burner control knob to OFF and wait 5 minutes to let the gas clear before you try again, or try to light with a match.**
- 7) After the FRONT burner is lit you can turn on the other burner or burners.
- Note: Always light the FRONT burner first. The other burner or burners ignite from the FRONT burner.

MAIN BURNER LIGHTING**SPIRIT E/SP-210 & 310**

*The grill illustrated may have slight differences than the model purchased.

MANUAL LIGHTING

⚠ DANGER

Failure to open lid while igniting the barbecue's burners, or not waiting 5 minutes to allow the gas to clear if the barbecue does not light, may result in an explosive flame-up which can cause serious bodily injury or death.

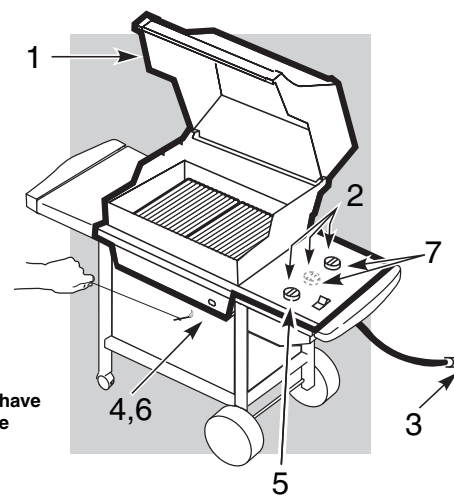
- 1) Open the lid.
 - 2) Make sure all burner control knobs are turned OFF. (Push each burner control knob down and turn clockwise to ensure they are in the off position.)
 - 3) Turn the gas supply valve on.
 - 4) Insert match holder with lit match into the matchlight hole in the front of the cooking box.
- ⚠ WARNING: Do not lean over the open barbecue. Keep your face and body away from the matchlight hole when lighting the barbecue.**
- 5) Push Front burner control knob down and turn to START/HI.
 - 6) Check that the burner is lit by looking through the matchlight hole on the front of the cooking box. You should see a flame.

⚠ WARNING: If the burner does not light, turn the Front burner control knob to OFF and wait 5 minutes to let the gas clear before you try again.

- 7) After the FRONT burner is lit you can turn on the other burner or burners.
Note: Always light the FRONT burner first. The other burner or burners ignite from the FRONT burner.

MAIN BURNER LIGHTING

SPIRIT E/SP-210 & 310



TO EXTINGUISH
 Push down and turn burner control knob clockwise to the OFF position. Turn gas supply off at the source.

TROUBLESHOOTING

PROBLEM	CHECK	CURE
Burners burn with a yellow or orange flame, in conjunction with the smell of gas.	Inspect Spider / Insect Screens for possible obstructions. (Blockage of holes.)	Clean Spider / Insect Screens. (See Section "Annual Maintenance")
Burner does not light, or flame is low in HI position.	Is fuel hose bent or kinked?	Straighten fuel hose.
	Does the Left burner light with a match?	If you can light the Left burner with a match, then check the Crossover® ignition system.
Experiencing flare-ups: ⚠ CAUTION: Do not line the bottom tray with aluminum foil.	Are you preheating barbecue in the prescribed manner?	All burners on high for 10 to 15 minutes for preheating.
	Are the cooking grates and Flavorizer® bars heavily coated with burned-on grease?	Clean thoroughly. (See Section "Cleaning")
	Is the bottom tray "dirty" and not allowing grease to flow into catch pan?	Clean bottom tray
Burner flame pattern is erratic. Flame is low when burner is on HI. Flames do not run the whole length of the burner tube.	Are burners clean?	Clean burners. (See Section "Maintenance".)
Inside of lid appears to be "peeling." (Resembles paint peeling.)	The lid is stainless steel, not paint. It cannot "peel". What you are seeing is baked on grease that has turned to carbon and is flaking off. THIS IS NOT A DEFECT.	Clean thoroughly. (See Section "Cleaning".)

If problems cannot be corrected by using these methods, please contact the Customer Service Representative in your area using the contact information on our web site. Log onto www.weber.com®.

WEBER® SPIDER /INSECT SCREENS

Your Weber® gas barbecue, as well as any outdoor gas appliance, is a target for spiders and other insects. They can nest in the venturi section (1) of the burner tubes. This blocks the normal gas flow, and can cause the gas to flow back out of the combustion air opening. This could result in a fire in and around the combustion air openings, under the control panel, causing serious damage to your barbecue.

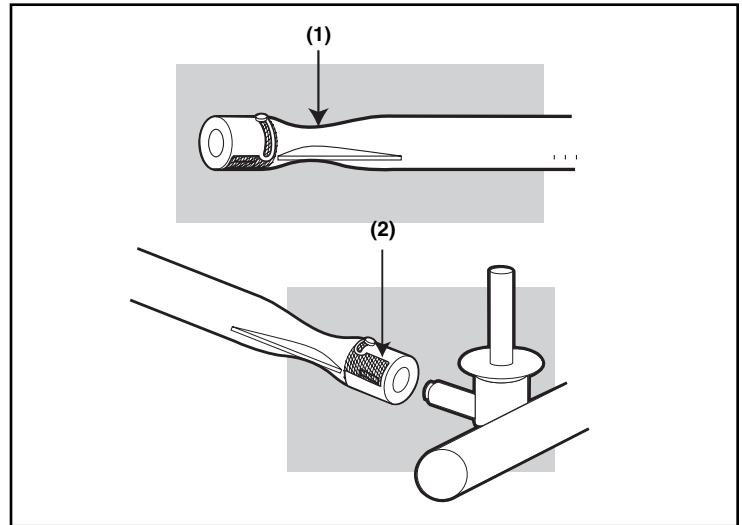
The burner tube combustion air opening is fitted with a stainless steel screen (2) to prevent spiders and other insects access to the burner tubes through the combustion air openings.

We recommend that you inspect the Spider/Insect screens at least once a year. (See Section “Annual Maintenance”.) Also inspect and clean the the Spider/Insect screens if any of the following symptoms should ever occur:

- 1) The smell of gas in conjunction with the burner flames appearing yellow and lazy.
- 2) Barbecue does not reach temperature.
- 3) Barbecue heats unevenly.
- 4) One or more of the burners do not ignite.

⚠ DANGER

Failure to correct the above mentioned symptoms may result in a fire, which can cause serious bodily injury or death, and cause damage to property.

**ANNUAL MAINTENANCE****Inspection and cleaning of the Spider/Insect screens**

To inspect the Spider/Insect screens, remove the control panel. If there is dust or dirt on the screens, remove the burners for cleaning the screens.

Brush the Spider/Inspect screens, lightly, with a soft bristle brush (i.e. an old toothbrush).

⚠ CAUTION: Do not clean the Spider/Insect screens with hard or sharp tools. Do not dislodge the Spider/Insect screens or enlarge the screen openings.

Lightly tap the burner to get debris and dirt out of the burner tube. Once the Spider/Insect screens and burners are clean replace the burners.

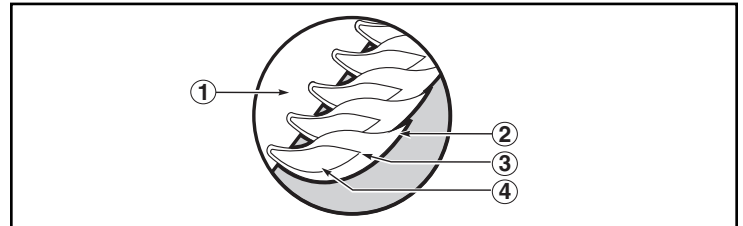
If the Spider/Insect screen becomes damaged or cannot be cleaned, please contact the Customer Service Representative in your area using the contact information on our web site. Log onto www.weber.com.

MAIN BURNER FLAME PATTERN

The Weber® gas barbecue burners have been factory set for the correct air and gas mixture. The correct flame pattern is shown.

- 1) Burner tube
- 2) Tips occasionally flicker yellow
- 3) Light blue
- 4) Dark blue

If the flames do not appear to be uniform throughout the burner tube, follow the burner cleaning procedures.

**MAIN BURNER CLEANING PROCEDURE**

Turn off the gas supply.

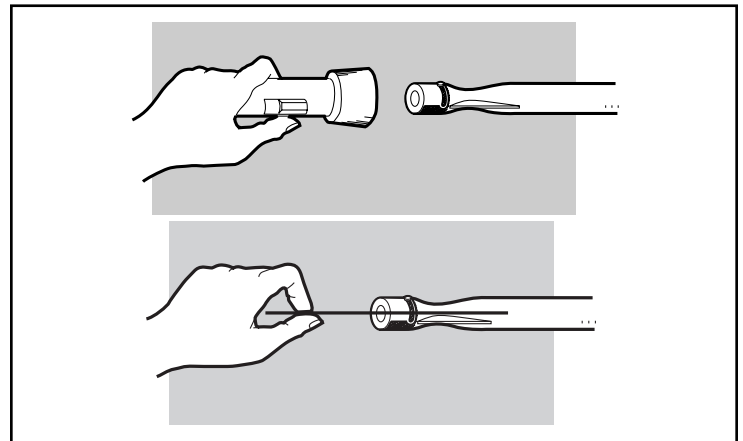
Remove the manifold (See “Replace Main Burners”).

Look inside each burner with a flashlight.

Clean the inside of the burners with a wire (a straightened-out coat hanger will work).

Check and clean the air shutter opening at the ends of the burners. Check and clean the valve orifices at the base of the valves. Use a Steel bristle brush to clean outside of burners. This is to make sure all the burner ports are fully open.

⚠ CAUTION: Do not enlarge the burner ports when cleaning.



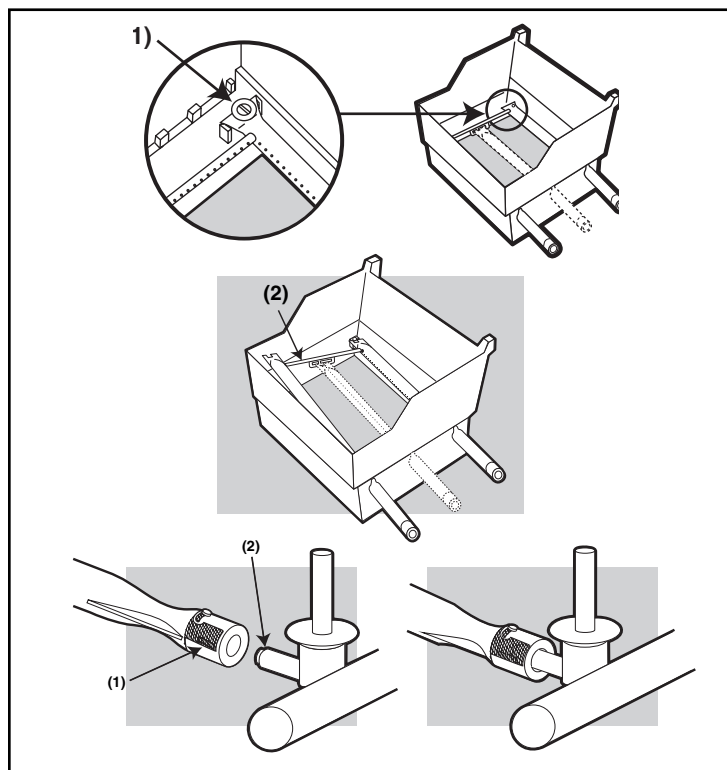
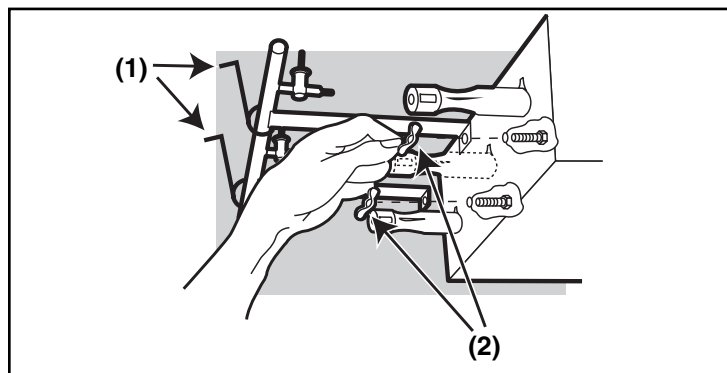
REPLACING MAIN BURNERS

- 1) Your Weber® gas barbecue must be off and cool.
- 2) Turn gas off at source.
- 3) To remove control panel: take off the burner control knobs. Remove the screws holding the control panel in place. Lift off the control panel.
- 4) Unhook the manifold bracket (1) and unscrew the two wing nuts (2) that hold the manifold to the cooking box. Pull the manifold and valve assembly out of the burners and carefully set it down.
- 5) Slide the burner assembly out from under the guide screw and washer (1) in the corners of the cooking box.
- 6) Lift and twist the burner assembly slightly, to separate the crossover tube (1) from the burners. Remove the burners from the cooking box.
- 7) To reinstall the burners, reverse 3) through 7).

⚠ CAUTION: The burner openings (1) must be positioned properly over the valve orifices (2).

Check proper assembly before fastening manifold in place.

⚠ WARNING: After reinstalling the gas lines, they should be leak checked with a soap and water solution before using the barbecue. (See Step: "Check for gas leaks.")



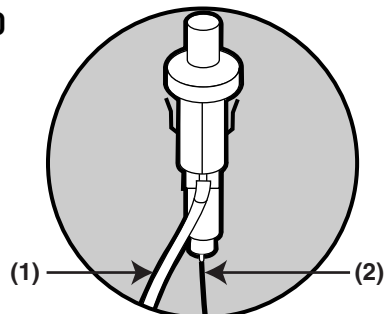
CROSSOVER® IGNITION SYSTEM OPERATIONS

If the Crossover® ignition system fails to ignite the Front burner, light the Front burner with a match. If the Front burner lights with a match, then check the Crossover® ignition system.

- Check that both the white (1) and black (2) ignition wires are attached properly.
- Check that the Crossover® ignition button pushes the igniter (button) down, and returns to the up position.

If the Crossover® ignition system still fails to light, contact the Customer Service Representative in your area using the contact information on our web site. Log onto www.weber.com®.

SPIRIT E/SP-210 & 310



SPIRIT®



GAS GRILL

Guía del Propietario de la Barbacoa de Gas Natural

E -210/310
SP-210/310

#89527



TIENE QUE LEER LA GUÍA DEL PROPIETARIO ANTES DE OPERAR LA BARBACOA O ASADOR DE GAS

⚠ PELIGRO

Si huele a gas:

1. Cierre la llave del gas.
2. Apague todas las llamas.
3. Abra la tapa.
4. Si continúa el olor, no se acerque a la barbacoa o asador y llame inmediatamente a su proveedor de gas o al cuerpo de bomberos.

Un escape de gas puede causar un incendio o una explosión que pueden producir lesiones graves o la muerte, o daños materiales.

⚠ ADVERTENCIA:

1. No guarde ni use gasolina u otros gases o líquidos inflamables cerca de este aparato o de cualquier otro.
2. Una bombona o cilindro de gas desconectada no debe guardarse nunca cerca de este aparato o de cualquier otro.

⚠ ADVERTENCIA: Antes de encender la barbacoa o asador siga cuidadosamente todos los procedimientos de comprobación de escapes de gas de este manual, aun cuando el concesionario haya hecho el montaje de la barbacoa o asador.

⚠ ADVERTENCIA: No trate de encender la barbacoa o asador de gas Weber antes de leer las instrucciones de la sección de "Encendido" de este manual.

INFORMACIÓN PARA EL MONTADOR: Este manual debe entregarse al propietario de la barbacoa o asador para que pueda usarlo siempre que lo necesite.

SÓLO PARA USARSE AL AIRE LIBRE.



⚠ PELIGRO

El hacer caso omiso de los avisos de Peligros, Advertencias y Precauciones contenidos en este Manual del Propietario pudiera resultar en lesiones corporales serias o la muerte, o en un fuego o explosión que cause daños a la propiedad.

⚠ ADVERTENCIAS

- ⚠ No almacene un tanque de propano licuado desconectado o de repuesto debajo o cerca de esta barbacoa o asador.
- ⚠ El ensamblaje incorrecto puede ser peligroso. Por favor siga cuidadosamente las instrucciones de ensamblaje en este manual.
- ⚠ Tras haber estado guardada o sin uso por algún tiempo, antes de usar la barbacoa o asador de gas Weber® verifique que no existan fugas de gas o obstrucciones en el quemador. Vea en este manual las instrucciones para los procedimientos correctos.
- ⚠ No opere la barbacoa o asador de gas Weber® si existe una fuga de gas.
- ⚠ No utilice una llama abierta para comprobar la existencia de fugas de gas.
- ⚠ Nunca debe haber materiales combustibles a una distancia menor de 60 centímetros de la parte superior, inferior, trasera o lateral de su barbacoa o asador de gas Weber®.
- ⚠ No coloque una funda para barbacoa o asador ni cualquier otra cosa inflamable sobre o dentro del área de almacenaje ubicada debajo de la barbacoa o asador.
- ⚠ Nunca deje que los niños usen la barbacoa o asador de gas Weber®. Algunas partes accesibles de la barbacoa o asador pudieran estar muy calientes. Mantenga alejados a los niños pequeños mientras éste se esté usando.
- ⚠ Usted debe proceder con razonable cuidado al usar su barbacoa o asador de gas Weber®. Estará caliente al cocinar o limpiar la misma, y nunca deberá dejarse desatendida o moverse mientras esté funcionando.
- ⚠ Si llegasen a apagarse los quemadores, cierre todas las válvulas de gas. Abra la tapa y espere cinco minutos antes de tratar de volver a encender la barbacoa o asador, usando las instrucciones de encendido en este manual.
- ⚠ No use carbón o piedra pómez en su barbacoa o asador de gas Weber®.
- ⚠ No se incline sobre la barbacoa o asador abierta o coloque las manos o dedos en el borde delantero de la caja de cocción.
- ⚠ Si la grasa llegase a agarrar fuego, apague todos los quemadores y mantenga la tapa cerrada hasta que se haya apagado el fuego.
- ⚠ Al limpiar las válvulas o los quemadores, no ensanche los orificios de las válvulas o las aberturas de los quemadores.
- ⚠ La barbacoa o asador de gas Weber® deberá limpiarse a fondo regularmente.
- ⚠ El propano licuado no es gas natural. El uso de gas natural en una unidad de propano licuado o viceversa, propano licuado en una de gas natural, es peligroso y anulará su garantía.
- ⚠ Mientras esté funcionando la barbacoa o asador, no trate de desconectar ninguna conexión de gas.
- ⚠ Mientras opere la barbacoa o asador, utilice guantes resistentes al calor.
- ⚠ Mantenga alejados de todas las superficies calientes a todo cordón eléctrico y a la manguera de suministro de combustible.
- ⚠ Los subproductos de la combustión producidos al usar este producto contienen sustancias químicas que son conocidas por el Estado de la California como causantes de cáncer, defectos de nacimiento, u otros daños reproductivos.
- ⚠ No use esta barbacoa o asador a menos que todas sus partes estén colocadas en su sitio. La unidad debe estar correctamente ensamblada según las instrucciones indicadas en las "Instrucciones de ensamblaje".

ÚNICAMENTE UNIDADES DE GAS PROPANO LICUADO

- ⚠ Use el regulador que se suministra con su barbacoa o asador de gas Weber®.
- ⚠ No trate de desconectar el regulador de gas o ninguna conexión de gas mientras la barbacoa o asador esté funcionando.
- ⚠ Un cilindro de propano licuado abollado u oxidado pudiera ser peligroso y deberá ser revisado por su suplidor de propano licuado. No utilice ningún cilindro de propano licuado con una válvula dañada.
- ⚠ Aunque su cilindro de propano licuado pudiera aparentar estar vacío, algo de gas pudiera aún estar presente, por lo que el cilindro deberá transportarse y almacenarse tomando esta posibilidad en consideración.
- ⚠ Si usted ve, huele o escucha el silbido de un escape de gas del cilindro de propano licuado:

1. Apártese del cilindro de propano licuado.
2. No trate de corregir el problema usted mismo.
3. Llame al cuerpo de bomberos local.

Weber-Stephen Products Co., (Weber) mediante el presente documento le garantiza al COMPRADOR ORIGINAL de esta barbacoa o asador de gas Weber® que la misma estará libre defectos en cuanto a materiales y a mano de obra a partir de la fecha de compra según lo siguiente:

Fundiciones de aluminio,	2 años para la pintura exceptuando la decoloración
Sección de acero inoxidable de la campana o tapa,	10 años
Sección de porcelana de la campana o tapa,	10 años
Quemadores de acero inoxidable ,	10 años
Encendedor,	3 años
Parrillas de cocción con revestimiento de porcelana,	3 años sin oxidarse
Rejillas de cocción de hierro colado con revestimiento de porcelana,	5 años sin oxidarse
Plancha de hierro colado con revestimiento de porcelana,	5 años sin oxidarse
Parrillas de cocción de acero inoxidable,	5 años
Barras Flavorizer® revestidas de porcelana,	1 año sin oxidarse
Barras Flavorizer® de acero inoxidable,	5 años
Partes termoplásticas y termofijas,	10 años excluyendo la decoloración
Asador y todos los componentes relacionados,	1 año
Todas las demás partes	2 años

cuando se ensambla y opera de acuerdo a las instrucciones impresas que lo acompañan. Weber pudiere requerir prueba razonable de la fecha de compra. POR LO TANTO, DEBERÁ GUARDAR SU RECIBO O FACTURA DE VENTA.

Esta garantía limitada está limitada a la reparación o reemplazo de piezas que se resultasen defectuosas bajo uso y servicio normal y las cuales al examinarse indiquen, a la plena satisfacción de Weber, de que efectivamente son defectuosas. Antes de devolver cualquier parte, contacte al Representante de Atención al Cliente en su área, cuya información de contacto la encontrará en nuestro sitio web. Si Weber confirma el defecto y aprueba el reclamo, ésta elegirá reparar o reemplazar tal pieza sin cargo alguno. Si usted tiene que retornarnos las partes defectuosas, los gastos de transporte deben ser prepagados. Weber retornará las partes al comprador con transporte

o franqueo prepagado.

Esta Garantía Limitada no cubre ninguna falla o problema de operación a causa de accidentes, abuso, mal uso, alteración, uso en aplicaciones indebidas, vandalismo, instalación inapropiada o mantenimiento o servicio inapropiados, o por no llevar a cabo el mantenimiento normal y rutinario, entre los que se incluyen, pero sin limitación, los daños causados por insectos dentro de los tubos quemadores, según se detalla en este manual del propietario.

Esta Garantía Limitada no cubre el deterioro o daños a causa de condiciones de tiempo inclementes tales como granizo, huracanes, terremotos o tornados ni tampoco la decoloración por exposición a sustancias químicas bien sea por contacto directo o por las mismas contenidas en la atmósfera.

No existe ninguna otra garantía expresa que no sean las las acá indicadas y cualesquier garantías implícitas de comerciabilidad y aptitud de uso están limitadas en duración al tiempo de cobertura de esta expresa Garantía Limitada por escrito. Algunas regiones no permiten limitación alguna en el tiempo que una garantía implícita pueda durar, por lo que esta limitación pudiera no aplicarle a usted. Weber no se hace responsable de cualesquier daños especiales, indirectos o emergentes. Algunas regiones no permiten la exclusión o limitación de daños incidentales o emergentes, por lo que esta limitación o exclusión pudieran no aplicarle a usted.

Weber no autoriza a persona o empresa alguna a asumir en su nombre ninguna obligación o responsabilidad en relación con la venta, instalación, uso, retiro, devolución o reemplazo de sus equipos, y ninguna tal representación será vinculante para Weber.

Esta Garantía aplica solo a aquellos productos vendidos al por menor.

WEBER-STEPHEN PRODUCTS CO.
Customer Service Center
1890 Roselle Road, Suite 308
Schaumburg, IL 60195
USA

Para partes de repuesto llame a:

1-800-446-1071
www.weber.com®

Su barbacoa o asador de gas Weber® es un aparato portátil para cocinar al aire libre. Con la barbacoa o asador de gas Weber® usted puede asar de manera convencional, a la barbacoa o asador, y al horno con unos resultados que son difíciles de duplicar con los artefactos de cocina de la casa. La tapa cerrada y las barras Flavorizer® le dan a la comida ese sabor a “aire libre”.

La barbacoa o asador de gas Weber® es portátil por lo que usted puede reubicarla fácilmente de sitio en su jardín o patio. La portabilidad significa que, si usted se muda, se puede llevar su barbacoa o asador de gas Weber® consigo.

El suministro de gas natural es fácil de usar y le da a usted más control al cocinar que el carbón.

- Estas instrucciones le indicarán los requisitos mínimos para ensamblar su barbacoa o asador de gas Weber®. Por favor lea cuidadosamente las instrucciones antes de utilizar su barbacoa o asador de gas Weber®. Un ensamblaje incorrecto puede ser peligroso.
- No debe ser usada por niños.
- Si hubiesen códigos locales que aplicasen a las barbacoas o asadores de gas portátil, usted deberá acatarlos. Si no existiesen códigos locales, usted deberá cumplir con la más reciente edición del código nacional aplicable relativo al uso de gas combustible: National Fuel Gas Code, ANSI Z 223.1/NFPA 54, o el CAN/CGA-B149.1, Natural Gas and Propane Installation Code.
- Esta barbacoa o asador de gas Weber® está diseñada para ser usada solamente con gas natural (en las ciudades, suministrado a través de tuberías). No utilice gas propano licuado embotellado. Las válvulas, los orificios, la manguera y regulador son aptos solamente para el gas natural.
- No la use con carbón.
- Asegúrese de que el área debajo del panel de control y la bandeja inferior no tenga desechos que pudiesen obstruir el flujo de aire de combustión o de ventilación.

PARA LA INSTALACIÓN EN CANADÁ

Esta instrucciones, aunque de manera general son aceptables, no necesariamente cumplen con los códigos de instalación canadienses, en particular en lo que respecta a tuberías bajo y sobre tierra. En Canadá la instalación de este artefacto debe cumplir con los códigos locales y/o la Norma CSA-B149,1 (Código de instalación de artefactos y equipos que queman gas natural).

ALMACENAJE

- Cuando la barbacoa o asador de gas Weber® no esté usándose, el suministro de gas debe cerrarse.
- Cuando la barbacoa o asador de gas Weber® sea almacenada bajo techo, el suministro de gas debe desconectarse.
- Antes de usarla, se deberá verificar que la barbacoa o asador de gas Weber® no tenga fugas de gas ni obstrucciones en los tubos de los quemadores. (Vea las secciones: “Mantenimiento General y Mantenimiento Anual.”)
- Asegúrese de que el área debajo del panel de control y de la bandeja inferior corredera no tengan desechos que pudiesen obstruir el flujo de aire de combustión o de ventilación.
- También deberá revisarse que la malla contra arañas e insectos no esté obstruida. (Vea la sección: “Mantenimiento Anual”)

COCCIÓN

⚠ **ADVERTENCIA: No mueva la barbacoa o asador de gas Weber® mientras esté en operación o esté caliente.**

Puede ajustar los quemadores DELANTERO y TRASERO a su gusto. Los ajustes de control: Alto (H), Medio (M), Bajo (L) o Apagado (O) están descritos en su recetario Weber®. El recetario usa estas siglas para describir los ajustes a los quemadores DELANTERO y TRASERO. Por ejemplo, para dorar bistecs, deberá ajustar ambos hornos a la posición H (alto). Una vez dorados, para terminar de cocinarlos ajustará los quemadores DELANTERO y TRASERO a la posición M (medio). Refiérase a su libro de recetas Weber® para las instrucciones detalladas sobre cómo cocinar con la barbacoa o asador.

Nota: La temperatura dentro de la caja de cocción durante las primeras ocasiones en que se use, cuando las superficies sean todavía demasiado reflectoras, podrá estar más caliente de lo que se indica en su libro de recetas. Las condiciones ambientales bajo las que se esté cocinando, tales como el viento y el tiempo, pueden hacer que se requieran ajustes a los controles de los quemadores para obtener las temperaturas de cocción correctas.

Pre calentamiento - Su barbacoa o asador de gas Weber® es un artefacto que usa la energía eficientemente. Ésta opera a una baja tasa de consumo calorífico. Para precalentar: después de encenderla, cierre la tapa y gire los quemadores a alto (HH). El precalentar a una temperatura entre 500° y 550° F (260° y 290° C) tardará de 10 a 15 minutos dependiendo de tales condiciones como la temperatura del aire y el viento. **Grasa escurrida** - Las barras del Flavorizer® han sido diseñadas para “ahumar” la cantidad correcta de grasa escurrida para así obtener una cocción con sazón. El exceso de grasa escurrida se acumulará en el plato recolector debajo de la bandeja corredera inferior. Hay disponibles bandejas de goteo desechables que caben en el plato recolector.

OPERACIÓN DE LA BARBACOA O ASADOR

⚠ **ADVERTENCIA: Sólo use esta barbacoa o asador al aire**

LIMPIEZA

⚠ **ADVERTENCIA: Apague su barbacoa o asador de gas Weber® y espere a que se enfríe antes de limpiar.**

Superficies externas - Utilice una solución de agua jabonosa tibia para limpiarlas y luego enjuáguelas con agua.

⚠ **PRECAUCIÓN: Sobre la superficie de la barbacoa o asador o del carro no utilice limpiadores de hornos, limpiadores abrasivos (limpiadores de cocinas), limpiadores que contengan productos cítricos, o almohadillas de limpieza abrasivas.**

Flavorizer® y parrillas de cocción - Límpielas con un cepillo de cerda de latón adecuado. Según se requiera, retírelas del barbacoa o asador y lávelas con agua jabonosa tibia y luego enjuáguelas con agua.

⚠ PRECAUCIÓN: No limpie las barras Flavorizer® o las parrillas de cocción en un horno autolimpiante.

Para averiguar la disponibilidad de parrillas de cocción y barras Flavorizer® contacte al Representante de Atención al Cliente usando la información de contacto en nuestro sitio web. Conéctese a www.weber.com.

Deslice hacia afuera la bandeja del fondo - Retire el exceso de grasa, luego lávela con agua jabonosa tibia y finalmente enjuáguela.

Plato recolector - Hay disponibles bandejas desechables de lámina de metal, o usted mismo puede forrar el plato recolector con papel aluminio. Para limpiar el plato recolector, lávelo con agua jabonosa tibia y luego enjuague.

Termómetro - Pásele un trapo con agua tibia jabonosa, y límpielo con una pelota o esponja plástica de fregar.

Dentro del módulo de cocción - Cepille cualesquier restos de los tubos quemadores. **NO AGRANDE LAS ABERTURAS DE LOS QUEMADORES.** Lave la parte interior de la caja de cocción con agua jabonosa y luego enjuáguela con agua.

Parte interior de la tapa - Mientras la tapa este tibia, limpie la parte interna con una toalla de papel para prevenir la acumulación de grasa. La grasa acumulada escamada se asemeja a las escamas de pintura.

Superficies de acero inoxidable - Preserve su acero inoxidable - La barbacoa o asador o el gabinete, tapa, panel de control y estantes de ésta pudieran estar hechos de acero inoxidable. Es muy fácil mantener impecable al acero inoxidable. Simplemente lávelo con agua y jabón, enjuáguelo con agua limpia y séquelo con un trapo. Se puede utilizar una brocha no metálica para las manchas más difíciles.

⚠ IMPORTANTE: No utilice cepillos de alambre o limpiadores abrasivos sobre las superficies de acero inoxidable ya que las rayarán.

⚠ IMPORTANTE: No utilice limpiadores que contengan lejía a base de cloro sobre la superficie de acero inoxidable de su barbacoa o asador.

⚠ IMPORTANTE: Al limpiar las superficies asegúrese de frotar/restregar en la dirección del grano para preservar la vistosidad del acero inoxidable.

Superficies de plástico termocurado - Lávelas con un trapo suave y una solución de agua y jabón.

No utilice limpiadores que contengan ácido, destilado de petróleo o xileno. Enjuáguelas bien después de lavarlas.

Las mesas de trabajo de plástico no deberán usarse como tablas de corte.

INSTRUCCIONES SOBRE EL GAS

INSTALE EL SUMINISTRO DE GAS

Especificaciones generales de la tubería

Nota: Póngase en contacto con su municipalidad para obtener los códigos de construcción que regulan las instalaciones de barbacoa o asadores de gas al aire libre. Si no existiesen códigos locales, usted deberá cumplir con la más reciente edición del Código Nacional de Gas Combustible: ANSI Z 223.1/NFPA 54, o CAN/CGA-B149.1, Natural Gas and Propane Installation Code. **LE RECOMENDAMOS QUE ESTA INSTALACIÓN SEA REALIZADA POR UN PROFESIONAL.**

Algunos de los datos indicados a continuación son requisitos generales tomados de la más reciente edición del Código Nacional de Gas Combustible. consulte ANSI Z 223.1/NFPA 54, o CAN/CGA-B149.1, Natural Gas and Propane Installation Code, para las especificaciones completas..

- Esta barbacoa o asador está diseñada para operar a una presión de 7 pulgadas de columna de agua (0,2526 psi). Debe instalarse una válvula de cierre manual al aire libre, inmediatamente delante del desconectador rápido.
- Una válvula de cierre manual adicional bajo techo deberá instalarse en la línea de derivación en un sitio accesible cerca de la línea de suministro.
- El desconectador rápido se conecta a una conexión de 3/8 de pulgada con rosca NPT procedente de la fuente de gas. El desconectador rápido es un dispositivo operado manualmente que al desconectar la barbacoa o asador automáticamente cierra el flujo de gas de la fuente.
- El desconectador rápido puede conectarse horizontalmente o viendo hacia abajo. El instalar este accesorio con el extremo abierto hacia arriba puede resultar en la acumulación de agua y suciedad.
- Las tapas guardapolvo (los tapones de plástico suministrados) ayudan a mantener limpios a los extremos abiertos de los desconectador rápidos mientras estos estén desconectados.
- Al realizar las conexiones, se deberá usar un compuesto para tubería que sea resistente a la acción del gas natural.
- El conector al aire libre debe estar fijado firmemente a una construcción rígida y permanente.

⚠ ADVERTENCIA: No pase la manguera de 10 pies por debajo de un piso. La manguera debe estar visible.

INSTALACIÓN DE LA TUBERÍA DE GAS

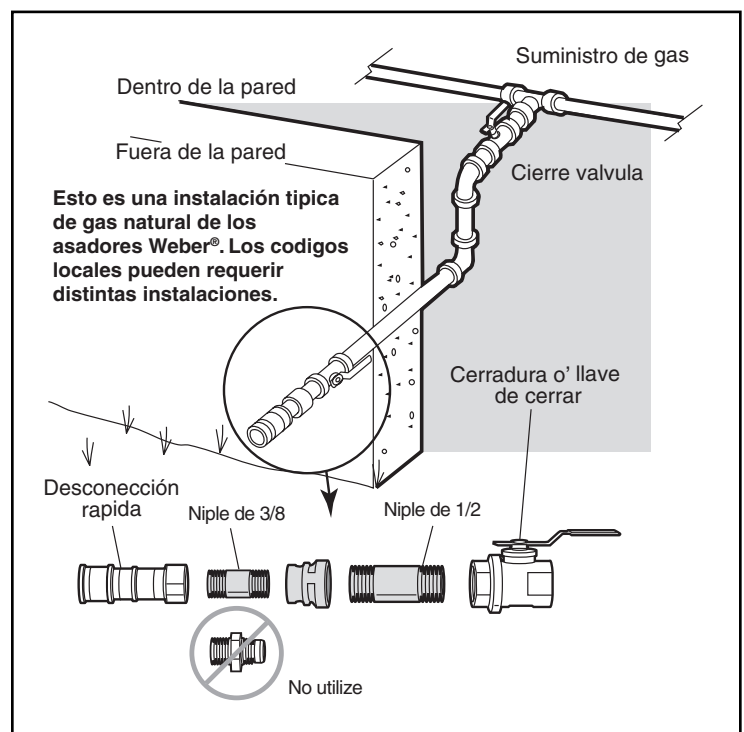
- Si la longitud de tubería requerida no excede los 50 pies, use una tubería de 5/8" de diámetro externo. La siguiente medida mayor deberá utilizarse para longitudes mayores de 50 pies.
- La tubería de gas puede ser de tubos de cobre, tipo K o L; tubos de plástico de polietileno, con un espesor de pared mínimo de 0,062 pulgadas; o tubos de acero o hierro dulce de peso estándar (cédula 40).
- Los tubos de cobre deben estar revestidos de estaño si el gas contiene más de 0,3 gramos de sulfuro de hidrógeno por 100 pies cúbicos de gas.
- Los tubos de plástico son aptos sólo para uso subterráneo al aire libre.
- La tubería de gas en contacto con el suelo, o cualquier otro material que pudiera corroerla, debe protegerse contra la corrosión de una manera aprobada.
- La tubería subterránea debe tener una cubierta de tierra de por lo menos 18 pulgadas.

PRUEBA DE LAS CONEXIONES

Toda conexión y junta debe probarse a fondo para detectar la posible presencia de fugas de acuerdo con los códigos locales y todos los procedimientos enumerados en la edición más reciente del Código Nacional de Gas Combustible. ANSI Z 223.1/NFPA 54, o CAN/CGA-B149.1

⚠ PELIGRO

No utilice una llama abierta para comprobar si existen fugas de gas. Asegúrese de que no haya chispas o llamas abiertas en el área mientras comprueba si existen fugas de gas. Ellas causarán un fuego o explosión, las cuales pueden causar serias lesiones corporales o la muerte, y daños a la propiedad.



PREPARACIONES PARA VERIFICAR LA EXISTENCIA DE FUGAS VERIFIQUE QUE TODAS LAS VÁLVULAS DE LOS QUEMADORES ESTÉN CERRADAS

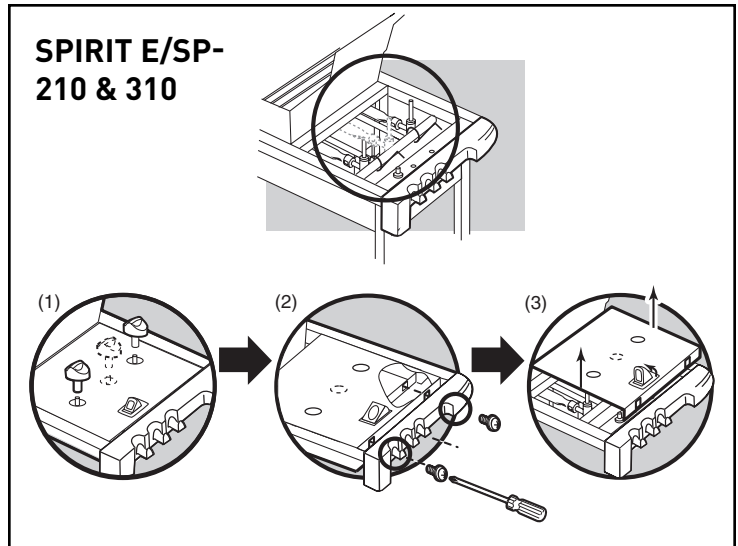
Las válvulas son despachadas de fábrica en la posición OFF (cerradas), pero usted debe verificarlo para asegurarse de que efectivamente estén en dicha posición. Verifíquelo empujándolas hacia abajo y girándolas hacia la derecha. Si no giran, están cerradas. Proceda al paso siguiente. Si sí girasen, continúe girándolas hacia la derecha hasta que paren; allí estarán cerradas. Proceda al paso siguiente.

EXTRAIGA EL PANEL DE CONTROL Y LAS PERILLAS DE CONTROL DE LOS QUEMADORES

Necesitará un destornillador Phillips.

- 1) Extraiga las perillas de control.
- 2) Extraiga los tornillos con un destornillador Phillips.
- 3) Tire hacia arriba el botón de encendido hasta que se fije en esa posición y extraiga el panel del asador.
- 4) Vuelva a colocar el panel de control cuando finalice la comprobación de fugas.

SPIRIT E/SP-210 & 310



REVISE LA MANGUERA FLEXIBLE A LA CONEXIÓN DEL MÚLTIPLE

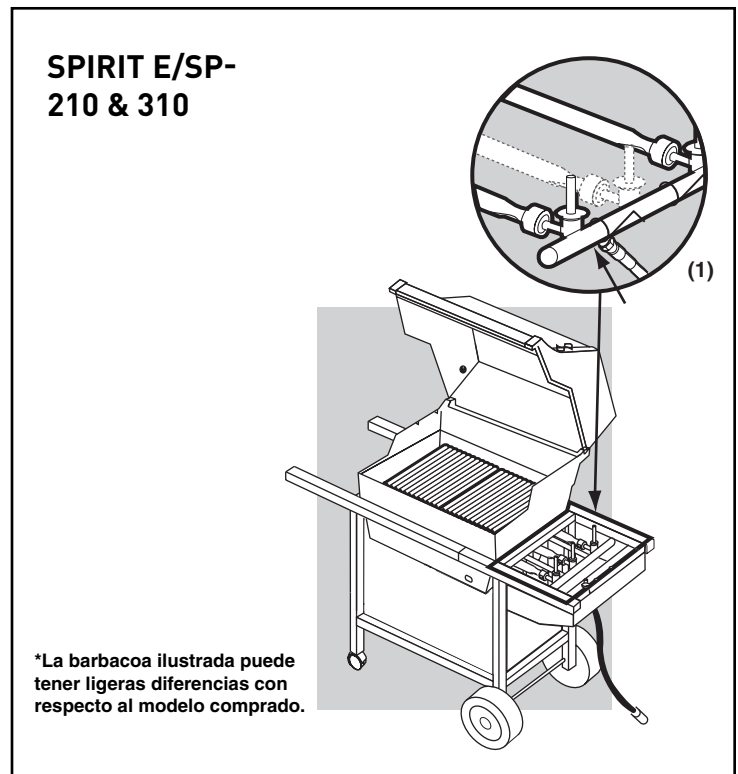
La manguera de gas natural ha sido fijada durante el proceso de manufactura. Previo a operar la barbacoa o asador, recomendamos que se revise la conexión de la manguera al múltiple de gas para verificar que no exista fugas siguiendo las pautas dadas en esta Guía del Propietario.

Revisión:

- 1) Conexión de la manguera al múltiple.

⚠ ADVERTENCIA: Si hay una fuga en una conexión (1), vuelva a apretar la conexión con una llave y vuelva a verificar con la solución de agua y jabón. Si una fuga persiste aun después de volver a apretar la conexión, **CIERRE el gas. NO OPERE LA Barbacoa o asador.** Contacte al Representante de Atención al Cliente usando la información de contacto en nuestro sitio web. Conéctese a www.weber.com®.

SPIRIT E/SP-210 & 310



COMPRUEBE QUE NO HAYA FUGAS DE GAS

⚠ PELIGRO

No utilice una llama abierta para comprobar si existen fugas de gas. Asegúrese de que no haya chispas o llamas abiertas en el área mientras comprueba si existen fugas. Chispas o llamas causarían un fuego o explosión, las cuales pueden causar serias lesiones corporales o la muerte, y daños a la propiedad.

⚠ **ADVERTENCIA:** Cada vez que conecte o desconecte una conexión de gas, deberá verificar que no hayan fugas de gas.

Nota: Todas las conexiones hechas en la fábrica han sido revisadas a fondo en busca de fugas. Los quemadores han sido probados con las llamas encendidas. Como medida de precaución, sin embargo, usted deberá volver a revisar todas las conexiones en busca de fugas antes de utilizar su barbacoa de gas Weber®. Durante el manejo y despacho puede haberse aflojado o dañado alguna conexión de gas.

⚠ **ADVERTENCIA:** Lleve a cabo estas búsquedas de fugas aun y cuando su barbacoa haya sido ensamblada por el distribuidor o en la tienda donde la compró.

Usted necesitará: una solución de agua y jabón y un trapo o una brocha para aplicarla. Asegúrese de que el quemador lateral esté APAGADO (Vea PREPARATIVOS PARA LA BÚSQUEDA DE FUGAS). Retire la perilla y los tornillos de la válvula de control. Quite la cubierta superior de porcelana

Para realizar la búsqueda de fugas: Deslice hacia atrás el collarín del desconectador rápido. Empuje la conexión macho de la manguera dentro del desconectador rápido y mantenga la presión. Deslice el collarín para cerrarlo. Si no se acopla o cerrase, repita el procedimiento. El gas no fluirá a menos que el desconectador rápido este debidamente acoplado.

Abra el suministro de gas.

Compruebe la existencia de fugas mojando las conexiones con la solución de agua y jabón y viendo si se generan burbujas. Si se forman burbujas o si una burbuja crece existe una fuga.

Nota: Dado que algunas soluciones para la detección de fugas, incluyendo el agua y jabón, pueden ser ligeramente corrosivas, todas las conexiones deberán enjuagarse con agua después de realizar la comprobación de las fugas.

⚠ **ADVERTENCIA:** No encienda los quemadores mientras esté verificando la existencia de fugas.

Revisión

1) Conexión de la manguera al múltiple.

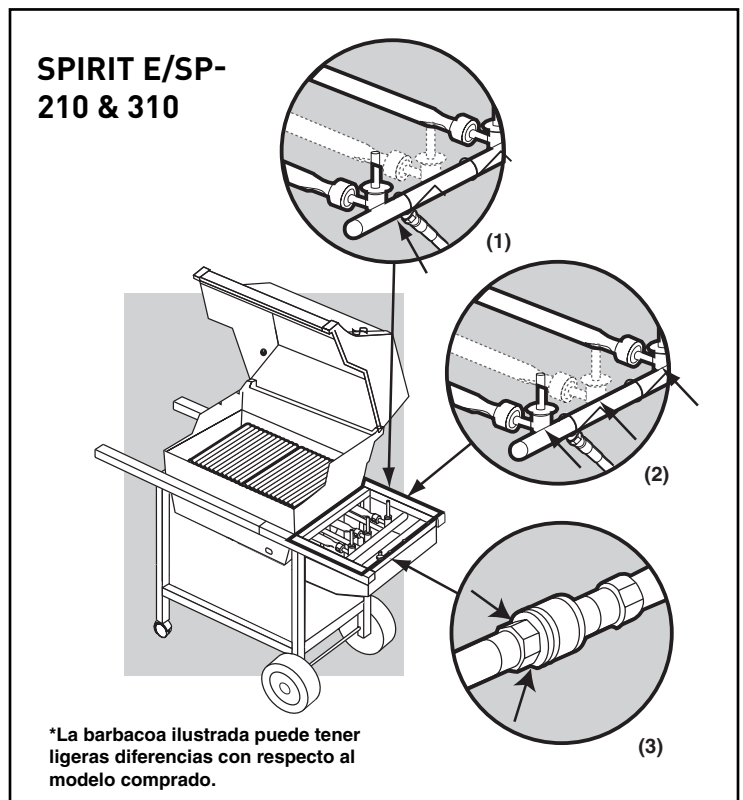
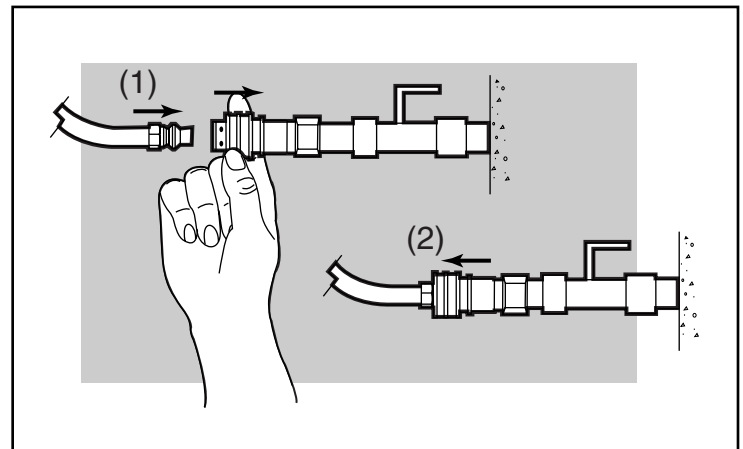
⚠ **ADVERTENCIA:** Si hay una fuga en una conexión (1), vuelva a apretar la conexión con una llave y vuelva a verificar con la solución de agua y jabón. Si una fuga persiste aun después de volver a apretar la conexión, CIERRE el gas. NO OPERE LA Barbacoa o asador. Contacte al Representante de Servicios al Cliente en su área utilizando la información de contacto en nuestro sitio web. Conéctese a www.weber.com®.

2) Válvulas a la conexión del múltiple.

3) Conexión de la manguera al desconectador rápido

⚠ **ADVERTENCIA:** Si hubiese una fuga en las conexiones (2) o (3), CIERRE el suministro de gas. NO OPERE LA Barbacoa o asador. Contacte al Representante de Atención al Cliente usando la información de contacto en nuestro sitio web. Conéctese a www.weber.com®.

Cuando se haya completado la comprobación de las fugas de gas, CIERRE el suministro de gas en la fuente y enjuague las conexiones con agua.



ENCENDIDO

En el panel de control se encuentra un resumen de las instrucciones de encendido.

⚠ PELIGRO

El no abrir la tapa mientras se esté encendiendo el quemador de la barbacoa o asador, o no esperar 5 minutos para que el gas se disipe si la barbacoa o asador no se enciende, puede resultar en una llamarada explosiva, la cual puede causar lesiones corporales serias o la muerte.

Sistema de encendido Crossover®

Nota: El sistema de encendido Crossover® enciende a los quemadores mediante una chispa del electrodo de ignición ubicado dentro de la cámara de encendido Gas Catcher™. Usted genera la energía para la chispa pulsando el botón de encendido Crossover® hasta que haga clic.

⚠ **ADVERTENCIA:** Inspeccione la manguera previo a cada uso de la barbacoa o asador y asegúrese de que no tenga muescas, grietas, abrasiones o cortes. Si se encontrase que la manguera estuviese dañada de cualquier manera, no utilice la barbacoa o asador. Reemplácela solamente con una manguera de repuesto autorizada por Weber®. Contacte al Representante de Atención al Cliente usando la información de contacto en nuestro sitio en la Internet. Conéctese a www.weber.com®.

- 1) Abra la tapa
- 2) Asegúrese de que todas las perillas de control del quemador estén en la posición OFF (apagadas) (Presione cada perilla de control hacia adentro y gírela en dirección de las agujas del reloj para asegurarse de que estén en la posición OFF (apagada).)
- 3) Abra la válvula de suministro de gas.

⚠ **ADVERTENCIA:** No se incline sobre la barbacoa o asador abierta. Al encender la barbacoa o asador, mantenga su cara y cuerpo alejados a por lo menos una distancia de 30 centímetros del orificio de encendido con cerillo.

- 4) Presione la perilla de control del quemador hacia adentro y gire hacia START/HI (encendido/alto).
- 5) Pulse el botón de encendido Crossover® varias veces, de manera que haga "clic" cada vez.
- 6) Viendo a través del agujero de encendido con cerillo en la parte delantera de la caja de cocción, verifique si efectivamente se ha encendido el quemador. Deberá ver una llama.

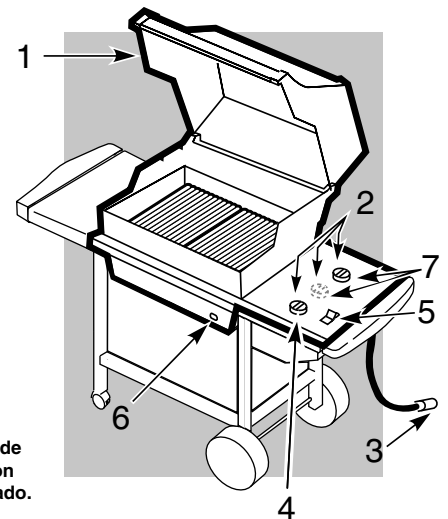
⚠ **ADVERTENCIA:** Si el quemador no se enciende, gire la perilla del control del quemador Delantero a la posición OFF (apagado) y espere 5 minutos para permitir que el gas se disipe antes de tratar de nuevo o tratar de encenderlo con un cerillo.

- 7) Una vez se haya encendido el quemador DELANTERO ya podrá encender el otro quemador u otros quemadores.

Nota: Siempre encienda primero el quemador DELANTERO. El quemador o quemadores restantes se encienden con las llamas del quemador DELANTERO.

ENCENDIDO DEL QUEMADOR PRINCIPAL

SPIRIT E/SP-210 & 310



*La barbacoa ilustrada puede tener ligeras diferencias con respecto al modelo comprado.

ENCENDIDO MANUAL

⚠ PELIGRO

El no abrir la tapa mientras se esté encendiendo el quemador de la barbacoa o asador o no esperar 5 minutos para que el gas se disipe si ésta no se enciende, puede resultar en una llamarada explosiva, la cual puede causar lesiones corporales serias o la muerte.

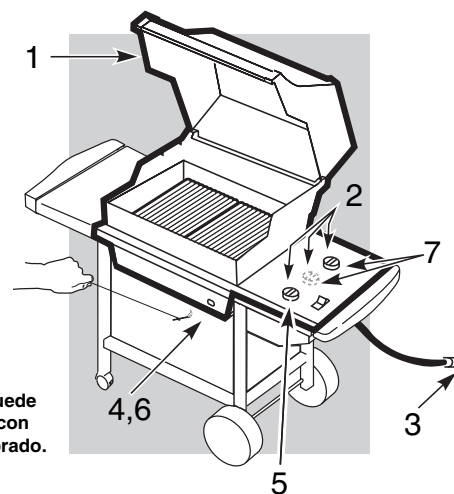
- 1) Abra la tapa.
 - 2) Asegúrese de que todas las perillas de control del quemador estén en la posición OFF (apagado) (Presione cada perilla de control hacia adentro y gírela en dirección de las agujas del reloj para asegurarse de que estén en la posición OFF (apagada).)
 - 3) Abra la válvula de suministro de gas.
 - 4) Inserte el portacerillo con el cerillo encendido en el agujero de encendido con cerillo en la parte delantera de la caja de cocción.
- ⚠ **ADVERTENCIA:** No se incline sobre la barbacoa o asador abierta. Al encender la barbacoa o asador, mantenga su cara y cuerpo alejados del orificio de encendido con cerillo.
- 5) Presione la perilla de control del quemador hacia adentro y gire hacia START/HI (encendido/alto).
 - 6) Viendo a través del agujero de encendido con cerillo, verifique si efectivamente se ha encendido el quemador. Deberá ver una llama.

⚠ **ADVERTENCIA:** Si el quemador no se enciende, gire la perilla del control del quemador Delantero a la posición OFF (apagado) y espere 5 minutos para permitir que el gas se disipe antes de tratar de nuevo.

- 7) Una vez se haya encendido el quemador DELANTERO ya podrá encender el otro quemador o quemadores.

Nota: Siempre encienda primero el quemador DELANTERO. El quemador o quemadores restantes se encienden con las llamas del quemador DELANTERO.

ENCENDIDO DEL QUEMADOR PRINCIPAL

SPIRIT E/SP-
210 & 310

*La barbacoa ilustrada puede tener ligeras diferencias con respecto al modelo comprado.

PARA APAGAR

Empuje y gire a la derecha cada uno de los mandos de control de los quemadores hasta la posición OFF (apagados) y luego apague la llave de alimentación del gas en la fuente.

RESOLUCIÓN DE PROBLEMAS

PROBLEMA	REVISAR	REMEDIOS
Los quemadores queman con una llama amarilla o anaranjada, conjuntamente con un olor a gas.	Revise que no haya obstrucciones en la malla contra arañas e insectos. (Taponamiento de orificios.)	Limpie las mallas contra arañas e insectos. (Vea la sección: "Mantenimiento anual")
El quemador no enciende, o la llama se mantiene baja en la posición HI (fuego alto).	¿Está doblada la manguera de combustible?	Enderece la manguera de combustible.
	¿Se enciende el quemador izquierdo con una cerilla?	Si usted puede encender el quemador izquierdo con un cerillo, entonces revise el sistema de encendido Crossover®.
Se producen llamaradas:	¿Está precalentando la barbacoa o asador de la manera prescrita?	Coloque a todos los quemadores en HI (fuego alto) durante 10 a 15 minutos para precalentar la barbacoa o asador.
	¿Están las rejillas de cocción y las barras Flavorizer® sumamente recubiertas con grasa quemada?	Límpielas a fondo. (Vea la sección "Limpieza".)
⚠ PRECAUCIÓN: No forre la bandeja inferior con hoja de aluminio.	¿Está la bandeja del fondo "sucio" y no deja que la grasa fluya al plato recolector?	Limpie la bandeja del fondo
El quemador produce llamas con un patrón errático. La llama se mantiene baja cuando el quemador está en HI (fuego alto). Las llamas no corren a lo largo de todo el tubo del quemador.	¿Están limpios los quemadores?	Limpie los quemadores. (Vea la sección de "Mantenimiento".)
La parte interna de la tapa pareciera estar "pelándose". (Se parece al desprendimiento de pintura.)	La tapa es de acero inoxidable y no está pintada. No puede "pelarse". Lo que está viendo es grasa asada que se ha convertido en carbón y se está descascarando. ESTO NO ES UN DEFECTO.	Límpielas a fondo. (Vea la sección "Limpieza".)

Si los problemas no pueden corregirse usando cualquiera de estos métodos, por favor contacte al Representante de Atención al Cliente en su área usando la información de contacto en nuestro sitio web. Conéctese a www.weber.com®.

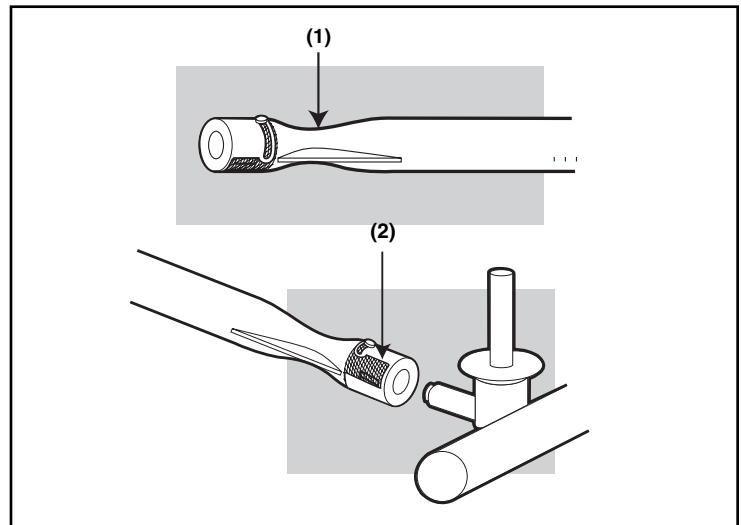
WEBER® MALLAS CONTRA ARAÑAS/INSECTOS

Su barbacoa o asador de gas Weber®, al igual que cualquier otro aparato de gas al aire libre, es un blanco para las arañas y demás insectos. Pueden crear sus nidos en la sección (1) del venturi del tubo quemador. Esto bloquea el flujo normal de gas, y puede causar que el gas fluya hacia atrás por la abertura del aire de combustión. Esto puede resultar en un fuego en y alrededor de las aberturas para el aire de combustión, causando un daño serio a la barbacoa o asador.

La abertura para el aire de combustión en el tubo quemador está provista con una malla de acero inoxidable (2) para prevenir la entrada de arañas e insectos a los tubos quemadores a través de dichas aberturas.

Le recomendamos que revise estas mallas contra arañas e insectos por lo menos una vez al año. (Vea la sección: "Mantenimiento anual") También inspeccione y limpie las mallas contra arañas e insectos si cualquiera de los siguientes síntomas llegase a presentarse.

1. Olor a gas en conjunción con llamas del quemador con una apariencia muy amarilla y floja.
- 3) La barbacoa o asador no alcanza la temperatura requerida.
- 3) La barbacoa o asador se calienta de manera dispareja.
- 4) Uno o más quemadores no se encienden.



⚠ PELIGRO

El no corregir estos síntomas pudiera resultar en un fuego que puede causar lesiones corporales serias o la muerte y daños a la propiedad.

MANTENIMIENTO ANUAL

Inspección y limpieza de la malla contra arañas y demás insectos

Para inspeccionar las mallas contra arañas e insectos, retire el panel de control. Si hubiese polvo o sucio sobre las mallas, saque los quemadores para limpiarlas.

Con un cepillo de cerdas suaves (p.ej.: un cepillo de dientes viejo), cepille suavemente las mallas contra arañas y demás insectos.

⚠ PRECAUCIÓN: No limpie las mallas contra arañas y demás insectos con herramientas duras o afiladas. No las desmonte ni agrande los orificios de las mismas.

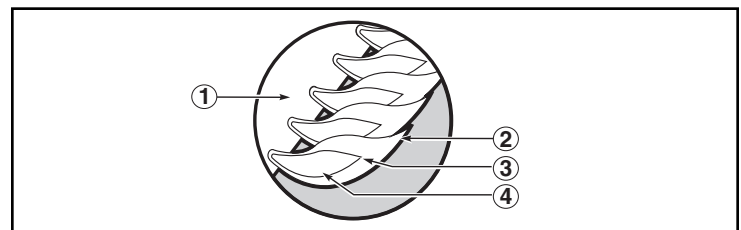
Golpee ligeramente el quemador para sacar la basura y suciedad fuera del tubo quemador. Una vez limpios, vuelva a colocar a las mallas y quemadores en su sitio. Si la malla contra arañas y demás insectos se dañase o no pudiese limpiarse, por favor póngase en contacto con el Representante de Servicios al Cliente de su zona, cuya datos de contacto encontrará en nuestro sitio en la Internet. Conéctese a www.weber.com.

PATRÓN DE LA LLAMA DEL QUEMADOR PRINCIPAL

Los quemadores de las barbacoas o asadores Weber® han sido ajustados en la fábrica para la mezcla correcta de aire y gas. Acá se muestra el patrón correcto de la llama.

- 1) Tubo quemador
- 2) Las puntas ocasionalmente titilarán con un color amarillo
- 3) Azul claro
- 4) Azul oscuro

Si las llamas no se presentan de manera uniforme a lo largo del tubo quemador, siga las instrucciones de limpieza del quemador.



PROCEDIMIENTO PARA LA LIMPIEZA DEL QUEMADOR PRINCIPAL

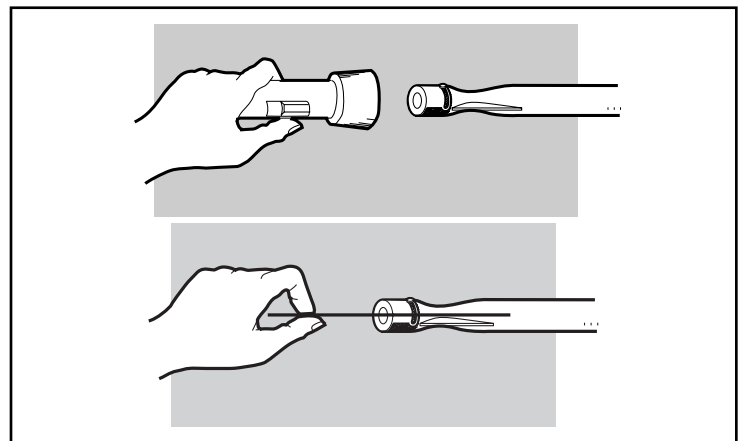
Cierre el suministro de gas.

Retire el múltiple (Vea "Reemplazo de los quemadores principales")

Revise la parte interna del quemador con una linterna.

Limpie la parte interna de los quemadores con un alambre (un colgador de ropa enderezado funcionará bien). Revise y limpie la abertura de las compuertas de cierre del aire en los extremos de los quemadores. Revise y limpie los orificios de las válvulas en la base del orificio del quemador. Utilice un cepillo de cerdas de acero para limpiar la parte externa de los quemadores. Esto es para asegurarse de que las aberturas de los quemadores estén completamente abiertas.

⚠ PRECAUCIÓN: Al limpiar, no agrande las aberturas del quemador.



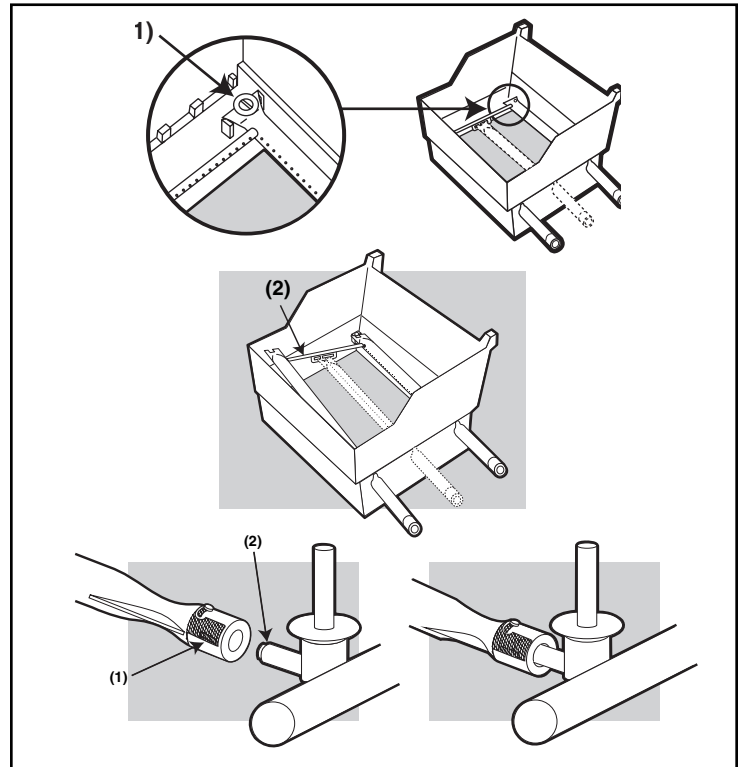
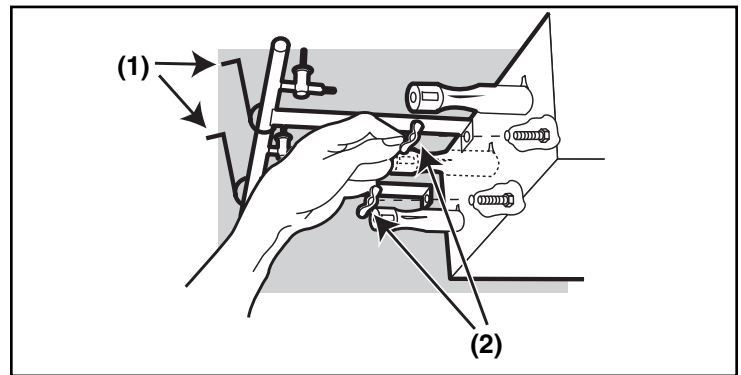
REEMPLAZO DE LOS QUEMADORES PRINCIPALES

- 1) Su asador de gas Weber® debe estar APAGADO y enfriado.
- 2) CIERRE el gas en la fuente.
- 3) Para retirar el panel de control: saque las perillas de control de los quemadores. Saque los tornillos que mantienen al panel de control en su sitio. Levante y saque el panel de control.
- 4) Desenganche el soporte del múltiple (1) y destornille las dos tuercas de aleta (2) que unen el múltiple a la caja de cocción. Hale el conjunto de múltiple y válvula fuera de los quemadores y póngalo cuidadosamente sobre el suelo.
- 5) Deslice el conjunto de quemadores por debajo del tornillo guía y arandela (1) en las esquinas de la caja de cocción.
- 6) Levante y gire levemente el conjunto de quemadores, para separar al tubo Crossover (1) de los quemadores. Saque los quemadores de la caja de cocción.
- 7) Para reinstalar los quemadores, proceda con los pasos 3) al 7) en reverso.

⚠ PRECAUCIÓN: Las aberturas del quemador (1) deberán posicionarse correctamente sobre los orificios de la válvula (2).

Antes de atornillar el múltiple en su sitio, verifique que esté correctamente ensamblado.

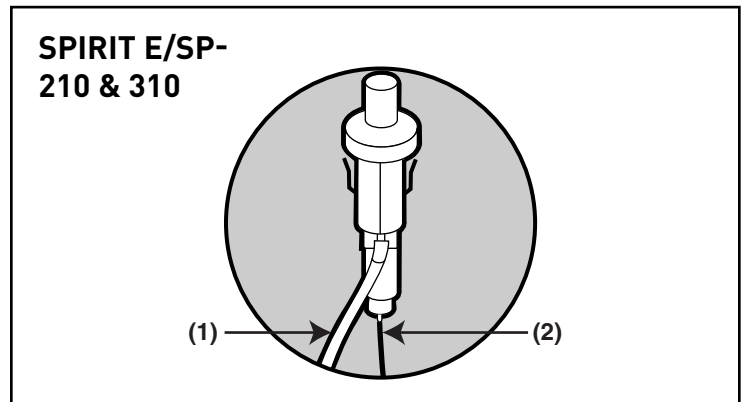
⚠ ADVERTENCIA: Después de reinstalar las líneas de gas y antes de usar la barbacoa o asador, deberá verificarse que no haya fugas usando una solución de agua y jabón. (Vea el paso: “Verificación de que no existen fugas de gas”)

**OPERACIÓN DEL SISTEMA DE ENCENDIDO CROSSOVER®**

Si el sistema de encendido Crossover® no logra encender el quemador delantero, enciéndalo con una cerilla. Si el quemador delantero se enciende con una cerilla, entonces revise el sistema de ignición Crossover®.

- Verifique que tanto el cable de encendido blanco (1) como el negro (2) estén conectados correctamente.
- Verifique que el botón de encendido Crossover® empuja al (botón del) encendedor hacia abajo y retorna a la posición de arriba.

Si el sistema de encendido Crossover® aún no logra el encendido, contacte a su Representante de Servicios al Cliente en su área usando la información de contacto en nuestro sitio web. Conéctese a www.weber.com.

SPIRIT E/SP-210 & 310

SPIRIT®



GAS GRILL

Gril à gaz : guide du propriétaire

E -210/310
SP-210/310

#89527



VOUS DEVEZ LIRE CE GUIDE DE L'UTILISATEUR AVANT DE VOUS SERVIR DE VOTRE BARBECUE À GAZ

⚠ DANGER

S'il y a une odeur de gaz :

1. Coupez l'admission de gaz de l'appareil.
2. Éteindre toute flamme nue.
3. Ouvrir le couvercle.
4. Si l'odeur persiste, éloignez-vous de l'appareil et appelez immédiatement le fournisseur de gaz ou le service d'incendie.

Une fuite de gaz risque de provoquer un incendie ou une explosion susceptible d'occasionner des blessures graves, voire mortelles, ou des dégâts matériels.

⚠ AVERTISSEMENT

1. Ne pas entreposer ni utiliser de l'essence ni d'autres vapeurs ou liquides inflammables dans le voisinage de l'appareil, ni de tout autre appareil.
2. Une bouteille de propane qui n'est pas raccordée en vue de son utilisation, ne doit pas être entreposée dans le voisinage de cet appareil ou de tout autre appareil.

⚠ AVERTISSEMENT: suivez à la lettre les instructions de détection des fuites données dans ce guide avant de faire fonctionner le barbecue, même s'il a été monté par le revendeur.

À L'INTENTION DE L'INSTALLATEUR : Ce guide doit être remis au propriétaire, qui doit le conserver pour pouvoir s'y reporter ultérieurement.

CET APPAREIL À GAZ EST CONÇU POUR ÊTRE UTILISÉ EN PLEIN AIR UNIQUEMENT.

⚠ AVERTISSEMENT: n'essayez pas d'allumer cet appareil sans avoir lu la section « Allumage » de ce guide.



⚠ DANGER

L'inobservation des avis Danger, Avertissement et Attention figurant dans ce guide peut entraîner des blessures graves, voire mortelles, ainsi qu'un incendie ou une explosion susceptibles de provoquer des dégâts matériels.

⚠ AVERTISSEMENTS

- ⚠ N'entrez pas une bouteille de gaz de rechange ou débranchée sous ce barbecue ni à proximité de celui-ci.
- ⚠ Un montage incorrect peut s'avérer dangereux. Veuillez suivre à la lettre les instructions de montage données dans ce guide.
- ⚠ A l'issue d'une période d'entreposage et/ou de non utilisation, il convient de contrôler le barbecue à gaz Weber® avant de s'en servir pour s'assurer de l'absence de fuites de gaz ou d'obstruction des brûleurs. Voir les instructions données dans ce guide pour la façon correcte d'y procéder.
- ⚠ Ne faites pas fonctionner le barbecue à gaz Weber® en cas de fuite de gaz.
- ⚠ Ne vous servez pas d'une flamme pour rechercher des fuites de gaz.
- ⚠ Aucune matière combustible ne devrait jamais se trouver à moins de 24 pouces (60 cm) de l'arrière ou des côtés de votre barbecue à gaz Weber®.
- ⚠ Ne placez pas une housse à barbecue ni des produits inflammables sur ou dans l'espace de rangement qui se trouve sous le barbecue.
- ⚠ Votre barbecue à gaz Weber ne doit jamais être utilisé par des enfants. Ses parties accessibles risquent d'être brûlantes. Ne laissez pas de jeunes enfants s'approcher du barbecue quand il est allumé.
- ⚠ Prenez des précautions raisonnables quand vous vous servez de votre barbecue à gaz Weber®. Il devient brûlant quand vous cuisinez ou le nettoyez et il convient de ne jamais le laisser sans surveillance ni de le déplacer alors qu'il est allumé.
- ⚠ Si les brûleurs s'éteignent en cours de fonctionnement, fermez tous les robinets de gaz. Ouvrez le couvercle et attendez cinq minutes avant d'essayer de rallumer l'appareil conformément aux instructions d'allumage.
- ⚠ N'utilisez pas de charbon de bois, de briquettes ni de pierres de lave dans votre barbecue à gaz Weber®.
- ⚠ Ne vous penchez jamais au-dessus du barbecue ouvert et ne placez jamais vos mains ni vos doigts sur le rebord avant de la cuve.
- ⚠ En cas d'inflammation de graisse, éteignez tous les brûleurs et laissez le couvercle fermé jusqu'à extinction du feu.
- ⚠ Lorsque vous nettoyez les robinets ou les brûleurs, n'agrandissez pas leurs orifices.
- ⚠ Il convient de nettoyer régulièrement à fond le barbecue à gaz Weber®.
- ⚠ Le propane liquéfié n'est pas un gaz naturel. La conversion d'un appareil à gaz naturel au propane liquéfié ou vice versa, de même qu'une tentative d'utilisation de l'un de ces gaz dans un appareil conçu pour l'autre, sont dangereuses et annuleront la garantie.
- ⚠ N'essayez pas de débrancher tout raccord de gaz alors que le barbecue est allumé.
- ⚠ Portez des gants à barbecue ou de cuisine résistant à la chaleur pour vous servir du barbecue.
- ⚠ Gardez tout cordon d'alimentation électrique et tuyau d'alimentation en combustible à l'écart des surfaces chauffées.
- ⚠ N'utilisez ce barbecue que si toutes les pièces sont en place. L'appareil doit être correctement monté conformément aux instructions présentées dans les « Instructions de montage ».

APPAREILS À PROPANE LIQUÉFIÉ UNIQUEMENT :

- ⚠ Utilisez l'ensemble régulateur de pression et tuyau fourni avec votre barbecue à gaz Weber®.
- ⚠ Ne tentez pas de débrancher l'ensemble régulateur de gaz et tuyau ni tout autre raccord de gaz pendant l'utilisation de votre barbecue.
- ⚠ Une bouteille de propane liquéfié cabossée ou rouillée risque d'être dangereuse et doit être contrôlée par votre fournisseur de gaz. Ne vous servez pas d'une bouteille dont le robinet est endommagé.
- ⚠ Même si votre bouteille de gaz semble être vide, il se peut qu'il y reste du gaz. Il convient d'en tenir compte pour la transporter et l'entreposer.
- ⚠ Si vous percevez l'odeur ou le sifflement de gaz s'échappant de la bouteille de propane liquéfié :

1. Éloignez-vous de la bouteille de propane liquéfié.
2. N'essayez pas de résoudre le problème vous-même.
3. Appelez les pompiers.

Weber-Stephen Products Co. (Weber) garantit par la présente à L'ACHETEUR D'ORIGINE que ce grill à gaz Weber® sera sans défaut de matériau ou de fabrication à partir de la date d'achat selon les modalités suivantes :

Aluminum Castings,	25 years
Casting Paint,	2 years no burn-off
Porcelain Lid Section,	10 years
Stainless Steel Lid Section,	25 years no rust through or burn through
Stainless Steel Burners Tubes,	10 years no rust through
Porcelain Enameled Cast Iron	
Cooking Grates,	5 years no rust through or burn through
Porcelain Enameled	
Flavorizer® Bars,	3 years no rust through or burn through
Stainless Steel Cooking Grates,	7 years no rust through or burn through
Stainless Steel Flavorizer® Bars,	7 years no rust through or burn through
All Remaining Parts,	2 years

quand l'appareil est assemblé et utilisé en suivant les instructions imprimées qui l'accompagnent.

Weber peut demander une preuve raisonnable de la date d'achat. PAR CONSÉQUENT, IL FAUT GARDER LE REÇU OU LA FACTURE.

Cette garantie limitée ne couvre que la réparation ou le remplacement des pièces qui s'avèrent défectueuses en condition normales d'utilisation et de service et qui présentent un défaut selon Weber. Avant de renvoyer des pièces, veuillez contacter le Représentant du service à la clientèle de votre région à l'aide des coordonnées disponibles sur notre site Internet. Si Weber confirme le défaut et approuve la réclamation, Weber choisira de remplacer ces pièces gratuitement. S'il vous faut renvoyer des pièces défectueuses, les frais d'expédition doivent être payés d'avance. Weber renverra les pièces à l'acheteur en port payé.

Cette garantie limitée ne couvre pas les défauts ou difficultés de fonctionnement causés par un accident, par un usage abusif, par un mauvais usage, une modification, une utilisation, installation

ou maintenance ou un entretien non conforme, par vandalisme ou par le manque de maintenance normale et routinière, y compris mais non limitée aux dégâts provoqués par des insectes dans les tubes des brûleurs, comme indiqué dans le manuel du propriétaire.

Les détériorations ou dommages causés par des intempéries telles que grêle, ouragan, tremblement de terre, tornades et les décolorations causées par des produits chimiques soit en contact direct soit dans l'atmosphère ne sont pas couverts par cette garantie.

Il n'existe aucune garantie expresse hormis celles indiquées ici et toute garantie implicite de qualité marchande et d'adaptation à l'usage est limitée dans le temps à la durée de la couverture de cette garantie expresse limitée. Certaines provinces ne permettant pas de restriction sur la durée d'une garantie implicite, il est possible que cette restriction ne s'applique pas dans votre cas. Weber n'est pas responsable pour les dommages particuliers, indirects ou consécutifs. Certaines provinces interdisent l'exclusion ou la limitation des dommages fortuits ou consécutifs, par conséquent cette limitation ou cette exclusion peuvent ne pas s'appliquer à votre situation.

Weber n'autorise aucune personne ou compagnie à prendre en charge pour Weber toute autre obligation ou responsabilité en rapport avec la vente, l'installation, l'utilisation, l'enlèvement, le renvoi ou le remplacement de son matériel et la responsabilité de Weber ne sera en aucune façon engagée par une représentation de ce genre.

Cette garantie ne s'applique qu'aux produits vendus au détail.

WEBER-STEPHEN PRODUCTS CO.

Service à la clientèle
1890 Roselle Road, Suite 308
Schaumburg, IL 60195
États-Unis

Pour les pièces de rechange, appelez :
1-800-446-1071
www.weber.com®

Votre barbecue à gaz Weber est un appareil mobile permettant de pratiquer la cuisine en plein air. Vous pouvez grâce à lui griller, rôtir et cuire en obtenant des résultats difficiles à reproduire avec les appareils de votre cuisine. La cuisson avec le couvercle fermé et les barres Flavorizer® donne aux aliments leur saveur « de plein air ».

Le barbecue à gaz Weber est mobile, ce qui vous permet de le déplacer facilement dans votre jardin ou sur votre patio. Sa mobilité signifie que vous pouvez l'emporter avec vous si vous déménagez. Le gaz naturel est d'un emploi facile et vous permet de mieux contrôler la cuisson que le charbon de bois.

- Les instructions qui suivent vous indiquent les spécifications minima de montage de votre barbecue à gaz Weber. Veuillez les lire attentivement avant de vous servir de celui-ci. Les erreurs de montage risquent d'avoir des conséquences dangereuses.
- Le barbecue ne doit pas être utilisé par des enfants.
- Si des codes locaux s'appliquent aux grills à gaz portatifs, vous devrez les respecter. En l'absence de codes locaux, vous devrez être en conformité avec la dernière édition du Code national sur le gaz combustible : ANSI Z 223.1/NFPA 54, ou CAN/CGA-B149.1. Code des installations au gaz naturel et au propane.
- Ce barbecue à gaz Weber est conçu pour fonctionner au gaz naturel (de ville) uniquement. Ne le faites pas fonctionner au propane liquéfié (en bouteille). Les robinets, les orifices et le tuyau sont conçus pour le gaz naturel uniquement.
- Ne vous en servez pas avec du charbon de bois.
- Vérifiez que la zone qui se trouve sous le panneau de commande et le plateau inférieur sont libres de débris risquant de gêner la circulation de l'air de combustion ou de ventilation.

INSTALLATION AU CANADA

Les instructions qui précèdent, bien que généralement acceptables, ne respectent pas nécessairement les règlements d'installation canadiens, en particulier dans le domaine des canalisations en surface et souterraines. Au Canada, l'installation de cet appareil doit respecter les règlements locaux et/ou la norme CAN/CGA-B149.1 (Règlement d'installation des appareils et du matériel fonctionnant au gaz naturel).

ENTREPOSAGE

- Vous devez COUPER l'arrivée du gaz naturel quand vous ne vous servez pas du barbecue à gaz Weber.
- Lorsque le barbecue à gaz Weber est entreposé à l'intérieur, le tuyau d'alimentation en gaz doit être débranché.

CUISSON

⚠ **AVERTISSEMENT: ne déplacez pas le barbecue à gaz Weber® lorsqu'il est allumé ou encore chaud.**

Vous pouvez régler comme vous le souhaitez les brûleurs AVANT et ARRIÈRE. Les réglages possibles H (High = maximum), M (Medium = moyen), L (Low = minimum) et O (Off = fermé) sont décrits dans votre livre de cuisine Weber®. Ces abréviations sont utilisées dans celui-ci pour décrire le réglage des brûleurs AVANT et ARRIÈRE. Par exemple, pour saisir des steaks, vous devez régler tous les brûleurs sur H (maximum). Puis, pour achever la cuisson, réglez les brûleurs AVANT et ARRIÈRE sur M (moyen). Voir le livre de cuisine Weber® pour des instructions détaillées concernant la cuisson.

Remarque: les premières fois que vous vous servez du barbecue, il se peut que les températures à l'intérieur de la cuve, dont les surfaces renvoient encore une grande quantité de chaleur, soient plus élevées que celles qui sont indiquées dans le livre de cuisine. Les conditions de cuisson, telles que le vent et le temps qu'il fait, peuvent exiger un réglage des manettes pour obtenir les températures de cuisson correctes.

Préchauffage - votre barbecue à gaz Weber® est un appareil économique qui consomme peu d'énergie. Pour le préchauffer après l'avoir allumé, fermez le couvercle et tournez tous les brûleurs en position maximum (HH). Un préchauffage à 260-290 °C demande de 10 à 15 minutes suivant les conditions atmosphériques telles que la température et le vent.

Jus et graisse - les barres Flavorizer® sont conçues pour « faire partir en fumée » la quantité correcte de jus requise pour donner aux aliments leur délicieuse saveur.

UTILISATION

- ⚠ **AVERTISSEMENT: n'utilisez ce barbecue qu'en plein air, dans un endroit bien aéré. Ne vous en servez pas dans un garage, un bâtiment, un passage couvert ni dans tout autre local fermé.**
- ⚠ **MISE EN GARDE: votre barbecue à gaz Weber® ne doit pas être utilisé sous une construction suspendue inflammable.**
- ⚠ **N'utilisez ce barbecue que si toutes les pièces sont en place. L'appareil doit être correctement monté conformément aux instructions présentées dans les « Instructions de montage ».**
- ⚠ **AVERTISSEMENT: votre barbecue à gaz Weber n'est pas conçu pour être installé dans un véhicule de loisirs ni sur un bateau.**
- ⚠ **AVERTISSEMENT: ne vous servez pas de matières combustibles à moins de 60 cm du haut, du bas, de l'arrière ou des côtés du barbecue.**
- ⚠ **AVERTISSEMENT: toute la cuve devient brûlante quand le barbecue est allumé. Ne laissez jamais ce dernier sans surveillance.**
- ⚠ **AVERTISSEMENT: n'approchez aucun cordon d'alimentation électrique ni le tuyau d'alimentation en gaz d'une surface chauffée quelconque**
- ⚠ **AVERTISSEMENT: veillez à ce que l'aire d'utilisation reste libre de tout liquide ou vapeur inflammable tel qu'essence, alcool, etc. et de matières combustibles.**

CONTRÔLE DE L'ALIMENTATION EN GAZ

- Débranchez votre barbecue à gaz Weber pour effectuer un contrôle à haute pression de son alimentation en gaz. Vous devez débrancher cet appareil et son robinet d'arrêt individuel de la tuyauterie d'arrivée de gaz pendant tout contrôle de celle-ci à des pressions dépassant 3,5 kPa.
- FERMEZ votre barbecue à gaz Weber pour effectuer un contrôle à basse pression de son alimentation en gaz. Vous devez isoler l'appareil de la tuyauterie d'alimentation en gaz en fermant son robinet d'arrêt manuel individuel pendant tout contrôle de celle-ci à une pression égale ou inférieure à 3,5 kPa.

L'excédent de jus et de graisse est recueilli par la lèchefrite qui se trouve sous le plateau inférieur. Des barquettes jetables en feuille d'aluminium s'adaptant à la lèchefrite sont disponibles.

- ⚠ **AVERTISSEMENT: vérifiez le plateau inférieur avant chaque utilisation pour voir si de la graisse s'y est accumulée. Enlevez l'excédent de graisse pour éviter que celle-ci ne s'enflamme dans le plateau.**

NETTOYAGE

- ⚠ **AVERTISSEMENT: ÉTEIGNEZ le barbecue à gaz Weber® et attendez qu'il ait refroidi avant de le nettoyer.**
- ⚠ **ATTENTION: ne nettoyez pas les barres Flavorizer® ni les grilles de cuisson dans un four auto-nettoyant. Pour connaître la disponibilité des grilles de cuisson de rechange et des barres Flavorizer®, veuillez contacter le Représentant du service client de votre région à l'aide des coordonnées disponibles sur notre site Internet. Connectez-vous sur www.weber.com®.**

Surfaces extérieures - utilisez de l'eau savonneuse chaude.

⚠ ATTENTION: N'utilisez pas de produit nettoyant pour fours, de détergents abrasifs (poudre à récurer), de produits d'entretien contenant du citron ni de tampons nettoyants abrasifs sur les surfaces du barbecue et du chariot.

Plateau inférieur - enlevez l'excédent de graisse, puis lavez le plateau à l'eau savonneuse chaude, puis rincez-le.

Barres Flavorizer® et grilles de cuisson - nettoyez-les avec une brosse en laiton appropriée. Le cas échéant, retirez-les du barbecue et lavez-les à l'eau savonneuse chaude, puis rincez-les à l'eau.

Lèchefrite - des barquettes jetables en aluminium sont disponibles. Vous pouvez également couvrir la lèchefrite d'une feuille d'aluminium. Pour nettoyer la lèchefrite, lavez-la à l'eau savonneuse chaude, et rincez-la.

Intérieur de la cuve - brossez les tubes de brûleurs pour en enlever tout débris. **N'AGRANDISSEZ PAS LES ORIFICES (OUVERTURES) DES BRÛLEURS.** Lavez l'intérieur de la cuve à l'eau savonneuse chaude, puis rincez-la.

Intérieur du couvercle - tant que le couvercle est encore chaud, essuyez-en l'intérieur avec du papier essuie-tout pour empêcher un écaillage dû à une accumulation de graisse.

Surfaces en acier inoxydable - Préservez votre acier inoxydable - Votre grill ou son meuble, son couvercle, son panneau de commande et ses étagères sont peut-être en acier inoxydable. Il est facile de maintenir l'acier inoxydable dans son meilleur aspect. Nettoyez-le à l'eau savonneuse, rincez à l'eau claire et essuyez-le pour le sécher. Pour les particules tenaces, l'utilisation d'une brosse non métallique est possible.

⚠ IMPORTANT: N'utilisez pas de brosse métallique ni de détergents abrasifs sur les surfaces en acier inoxydable de votre grill car cela produirait des rayures.

⚠ IMPORTANT: Lorsque vous nettoyez les surfaces, veillez à frotter/essuyer dans le sens du grain afin de préserver l'aspect de votre acier inoxydable.

Surfaces en plastique thermodurci - lavez-les avec un chiffon doux imbibé d'eau savonneuse. N'utilisez pas de produits d'entretien contenant de l'acide, du white spirit ou du xylène. Rincez bien après le nettoyage. Les plans de travail en plastique thermodurci ne doivent pas être utilisés comme planches à découper.

INSTRUCTIONS POUR LE GAZ

INSTALLATION DE L'ALIMENTATION EN GAZ

Spécifications générales en matière de canalisations

Remarque: renseignez-vous auprès de votre municipalité sur les codes de la construction réglementant l'installation des barbecues à gaz de plein air. En l'absence de réglementations locales, vous devez vous conformer à la dernière édition de la norme ANSI Z223.1 NOUS RECOMMANDONS DE FAIRE EFFECTUER CETTE INSTALLATION PAR UN PROFESSIONNEL.

Certaines des spécifications générales qui suivent sont extraites de la dernière édition de la norme ANSI Z223.1 qu'il est possible de consulter pour connaître les spécifications complètes.

- Ce barbecue est conçu pour fonctionner à une pression de 17,78 cm à la colonne d'eau (1,74 kPa).
- Un robinet d'arrêt manuel doit être posé à l'extérieur, juste en avant du raccord rapide.
- Il convient de poser un autre robinet d'arrêt manuel à l'intérieur sur la conduite de raccordement, dans un endroit aisément accessible proche de la canalisation d'alimentation.
- Le raccord rapide se branche à un raccord fileté de 1/2 NPT posé sur la source de gaz. Il s'agit d'un dispositif manuel qui COUPE automatiquement l'arrivée du gaz venant de la source lors du débranchement du barbecue.
- Le raccord rapide peut être posé à l'horizontale ou incliné vers le bas. S'il est posé avec son embout ouvert tourné vers le haut, de l'eau et des débris risquent d'y pénétrer.
- Les cache-poussière (les bouchons en plastique fournis) contribuent à maintenir la propreté des embouts ouverts du raccord rapide lorsque celui-ci est débranché.
- Il convient d'utiliser un mastic à tuyaux qui résiste à l'action du gaz naturel lorsque les raccordements sont effectués.
- Le raccord extérieur doit être fixé solidement à une structure rigide fixe.

⚠ AVERTISSEMENT: ne faites pas passer le tuyau de 3.06 m sous une terrasse. Il doit être visible.

TUYAUTERIE DE CANALISATION DE GAZ

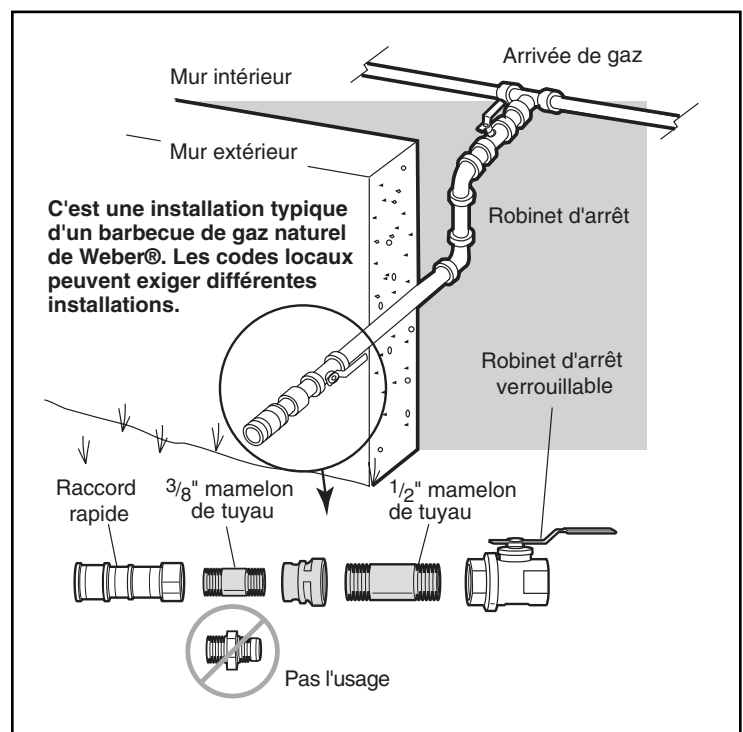
- Si la longueur de la canalisation nécessaire ne dépasse pas 15,80 m, utilisez un tube de 15,9 mm de diamètre extérieur. Il convient d'utiliser un tube du calibre supérieur si la longueur dépasse 15,80 m.
- La canalisation de gaz peut être constituée d'un tube en cuivre de type K ou L, d'un tube en polyéthylène d'au moins 1,57 mm d'épaisseur ou d'un tuyau en acier ordinaire (norme 40) ou en fer forgé.
- Les tubes en cuivre doivent être étamés si la teneur en hydrogène sulfuré du gaz dépasse 0,1 gramme par mètre cube.
- Les tubes en plastique ne peuvent être utilisés que pour des canalisations souterraines extérieures.
- Les canalisations de gaz qui sont au contact de la terre ou de tout autre matériau susceptible de les corroder doivent être protégés de la corrosion d'une façon réglementaire.
- Les canalisations souterraines doivent être enterrées d'au moins 46 cm.

CONTRÔLE DES RACCORDS

L'étanchéité de tous les raccords doit être soigneusement contrôlée conformément aux réglementations locales et en respectant toutes les marches à suivre décrites dans la dernière édition de la norme ANSI Z223.1.

⚠ DANGER

Ne vous servez jamais d'une flamme nue pour rechercher des fuites de gaz. Assurez-vous qu'aucune source d'étincelles ou de flammes nues ne se trouve à l'endroit où vous procédez à cette opération pour éviter tout risque d'incendie ou d'explosion susceptible d'entraîner des blessures graves, voire mortelles, ou des dégâts matériels.



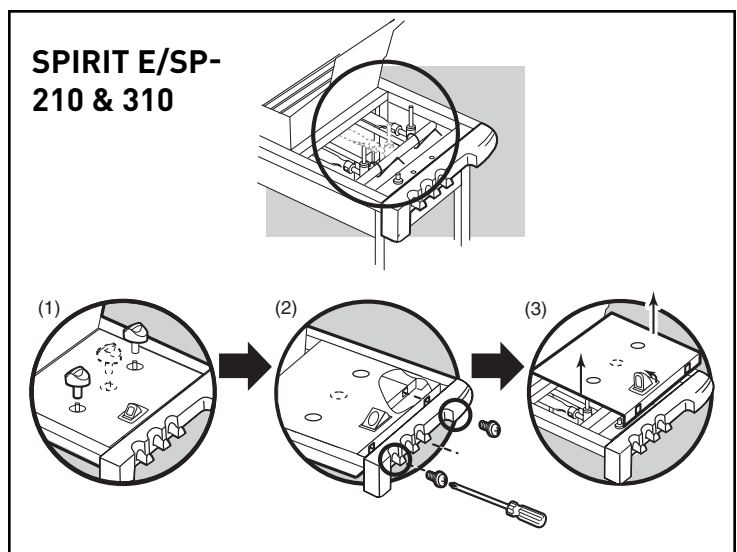
VÉRIFICATION DE LA FERMETURE DE TOUS LES ROBINETS DE BRÛLEURS

Les robinets sont expédiés en position FERMÉE, mais il convient de vous assurer qu'il en est bien ainsi. Placez une manette sur chaque robinet. Vérifiez la fermeture en appuyant sur les manettes et en les tournant vers la droite. Si elles ne tournent pas, les robinets sont fermés. Passez alors à l'opération suivante. Si elles tournent, continuez à les tourner vers la droite jusqu'à ce qu'elles s'arrêtent ; les robinets sont alors fermés. Passez ensuite à l'opération suivante.

RETIRER LE PANNEAU DE COMMANDE ET LES MANETTES DE RÉGLAGE.

Outil nécessaire : tournevis Phillips.

- 1) Retirer les manettes de réglage.
- 2) Au moyen du tournevis Phillips, retirer les vis à travers les fentes des garnitures.
- 3) Tirer le bouton d'allumeur jusqu'à ce qu'il se bloque en position haute et retirer le panneau de commande du barbecue.
- 4) Replacer le panneau de commande une fois la vérification des fuites terminée.

**VÉRIFIEZ LE TUYAU FLEXIBLE DE CONNEXION DE LA RAMPE.**

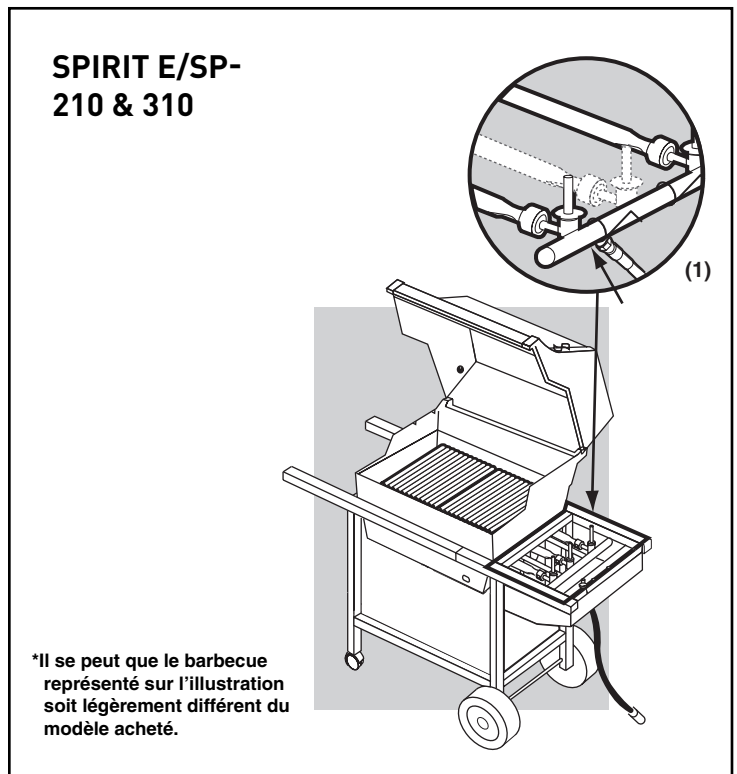
Le tuyau de gaz naturel a été fixé à l'étape de fabrication. Nous vous recommandons de tester le tuyau de connexion de la rampe afin de vous assurer de l'absence de fuite. Il convient pour cela de suivre les instructions fournies dans ce guide de l'utilisateur avant de faire fonctionner le barbecue.

Vérifiez :

- 1) Le raccordement du tuyau au collecteur.

⚠ AVERTISSEMENT: en cas de fuite au niveau du raccordement (1), resserrez le raccord à l'aide d'une clé et revérifiez-le avec de l'eau savonneuse pour voir s'il fuit toujours.

Si la fuite persiste après resserrement du raccord, COUPEZ l'arrivée du gaz. NE VOUS SERVEZ PAS DU BARBECUE. Veuillez contacter le Représentant du service client de votre région à l'aide des coordonnées disponibles sur notre site Internet. Connectez-vous sur www.weber.com®.



ALLUMAGE

Des instructions d'allumage succinctes sont données sur le panneau de commande.

⚠ DANGER

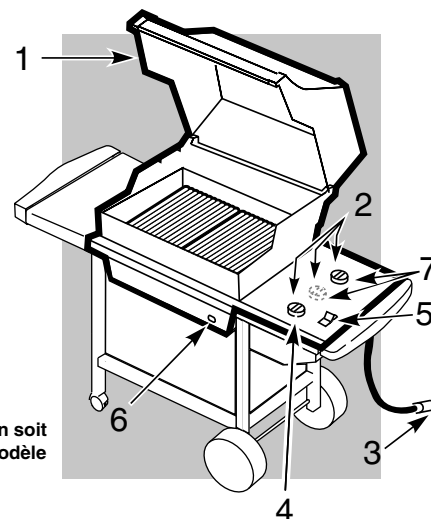
Si vous n'ouvrez pas le couvercle pour allumer le barbecue ou n'attendez pas 5 minutes pour laisser le gaz se dissiper si le barbecue ne s'allume pas, vous risquez de provoquer une flambée soudaine explosive pouvant occasionner des blessures graves, voire mortelles.

Système d'allumage Crossover®

Remarque : le système d'allumage Crossover allume le brûleur avant au moyen d'une étincelle jaillissant de l'électrode qui se trouve dans la chambre d'allumage Gas Catcher™. Vous produisez l'énergie nécessaire pour produire l'étincelle en appuyant sur le bouton d'allumage Crossover jusqu'à ce qu'il émette un déclic.

⚠ AVERTISSEMENT: avant chaque utilisation du barbecue, vérifiez que le tuyau n'est pas entaillé, fendillé, usé par frottement ni coupé. S'il se révèle endommagé en quoi que ce soit, ne vous servez pas du barbecue. Ne le remplacez que par un tuyau de rechange agréé par Weber. Veuillez contacter le Représentant du service client de votre région à l'aide des coordonnées disponibles sur notre site Internet. Connectez-vous sur www.weber.com®.

- 1) Ouvrez le couvercle.
- 2) Assurez-vous que toutes les manettes de réglage sont en position OFF (fermée). (Enfoncez chaque manette de réglage et tournez-la vers la droite pour vérifier qu'elles sont en position fermée.)
- 3) Ouvrez le robinet d'arrivée du gaz.
- ⚠ AVERTISSEMENT: ne vous penchez pas au-dessus du barbecue ouvert. N'approchez pas votre visage ni le reste de votre corps à moins de 30 centimètres du trou d'allumage par allumette quand vous mettez le barbecue en marche.**
- 4) Appuyez sur la manette de réglage du brûleur avant et tournez-la sur START/HI (Allumage/Maximum).
- 5) Appuyez plusieurs fois sur le bouton d'allumage Crossover jusqu'à ce qu'il émette un déclic à chaque fois.
- 6) Vérifiez que le brûleur est allumé en regardant par le trou d'allumage par allumette qui se trouve sur le devant de la cuve. Vous devez apercevoir des flammes.
- ⚠ AVERTISSEMENT: si le brûleur ne s'allume pas, tournez la manette de réglage du brûleur avant en position OFF (fermée) et attendez 5 minutes pour permettre au gaz de se dissiper avant de réessayer ou d'allumer le brûleur avec une allumette.**
- 7) Une fois que le brûleur AVANT est allumé, vous pouvez allumer le ou les autres.
Remarque: allumez toujours le brûleur AVANT en premier. Le ou les autres sont allumés à partir de lui.

ALLUMAGE DU BRULEUR PRINCIPAL**SPIRIT E/SP-
210 & 310**

*Il se peut que le barbecue représenté sur l'illustration soit légèrement différent du modèle acheté.

ALLUMAGE MANUEL

⚠ DANGER

Le fait de ne pas ouvrir le couvercle lors de l'allumage du barbecue ou de ne pas attendre 5 minutes pour laisser le gaz se dissiper si le barbecue ne s'allume pas risque de provoquer une flambée soudaine explosive pouvant entraîner des blessures graves, voire mortelles.

- 1) Ouvrez le couvercle.
- 2) Assurez-vous que toutes les manettes de réglage sont en position OFF (fermée). (Enfoncez chaque manette de réglage et tournez-la vers la droite pour vérifier qu'elles sont en position fermée.)
- 3) Ouvrez le robinet d'arrivée du gaz.
- 4) Craquez une allumette et introduisez sa flamme dans le trou prévu à cet effet sur le devant de la cuve.

⚠ AVERTISSEMENT: ne vous penchez pas au-dessus du barbecue ouvert. N'approchez pas votre visage ni le reste de votre corps à moins de 30 centimètres du trou d'allumage par allumette quand vous mettez le barbecue en marche.

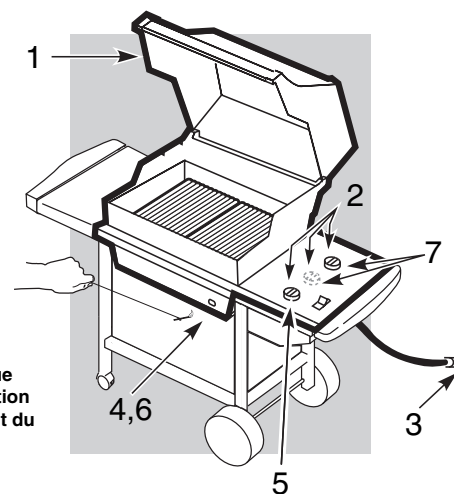
- 5) Appuyez sur la manette de réglage du brûleur avant et tournez-la sur START/HI (Allumage/Maximum).
- 6) Vérifiez que le brûleur est allumé en regardant par le trou d'allumage par allumette qui se trouve sur le devant de la cuve. Vous devez apercevoir des flammes.

⚠ AVERTISSEMENT: si le brûleur ne s'allume pas, tournez la manette de réglage du brûleur avant en position OFF (fermée) et attendez 5 minutes pour permettre au gaz de se dissiper avant de réessayer ou d'allumer le brûleur avec une allumette.

- 7) Une fois que le brûleur AVANT est allumé, vous pouvez allumer le ou les autres.
Remarque: allumez toujours le brûleur AVANT en premier. Le ou les autres sont allumés à partir de lui.

ALLUMAGE DU BRULEUR PRINCIPAL

SPIRIT E/SP-210 & 310



*Il se peut que le barbecue représenté sur l'illustration soit légèrement différent du modèle acheté.

EXTINCTION

Appuyez sur chaque manette de réglage et tournez-la vers la droite en position OFF (Fermé), puis COUPEZ l'alimentation en gaz à la source.

DÉPANNAGE

PROBLÈME	VÉRIFICATION	SOLUTION
Les brûleurs produisent une flamme jaune ou orange et il se dégage une odeur de gaz.	Inspecter les écrans pare-araignées/ insectes Weber® pour déceler les obstructions possibles. (Blocage des orifices.)	Nettoyer les écrans pare-araignées/insectes Weber®. (Voir la section Entretien annuel.)
Le brûleur ne s'allume pas, ou la flamme est basse en position HI (Maximum).	Le tuyau de combustible est-il plié ou vrillé ?	Redressez le tuyau de combustible.
	Faut-il allumer le brûleur de gauche avec une allumette ?	En cas d'allumage du brûleur de gauche avec une allumette, vérifiez le système d'allumage Crossover®.
Des flambées soudaines se produisent: ⚠ ATTENTION : Ne garnissez pas le plateau inférieur d'une feuille d'aluminium.	Préchauffez-vous le barbecue à gaz de la manière prescrite ?	Pour le réchauffage, les trois brûleurs doivent être sur HI (Maximum) pendant 10 à 15 minutes.
	Les grils de cuisson et les barres Flavorizer® sont-ils couverts d'une épaisse couche de graisse brûlée ?	Nettoyez-les à fond. (Voir la section «Nettoyage».)
	Le plateau inférieur est-il sale, empêchant ainsi la graisse de s'écouler dans la lèchefrite ?	Nettoyez le plateau inférieur.
Les flammes des brûleurs sont irrégulières. Les flammes sont basses alors que le brûleur est réglé sur HI (Maximum). Les flammes n'apparaissent pas sur toute la longueur du tube de brûleur.	Les brûleurs sont-ils propres ?	Nettoyez les brûleurs. (Voir la section "Maintenance générale")
L'intérieur du couvercle paraît «s'écailler». (Cela ressemble à un écaillage de peinture.)	Le couvercle est en acier émaillé. Il n'est pas peint. Il ne peut donc pas s'écailler. Les écailles que vous voyez sont de la graisse brûlée, qui s'est transformée en carbone et s'écaille. CECI N'EST PAS UN DÉFAUT.	(Voir la section «Nettoyage».)

Si vous ne parvenez pas à résoudre les problèmes grâce à ces méthodes, veuillez contacter le Représentant du service client de votre région à l'aide des coordonnées disponibles sur notre site Internet. Connectez-vous sur www.weber.com.

ÉCRANS PARE-ARAIGNÉES/INSECTES

Votre barbecue au gaz Weber®, comme tout autre appareil au gaz utilisé à l'extérieur, attire les araignées et autres insectes. Ils peuvent se réfugier dans la section des venturis (Venturi (1), obturateur d'air (2), nervure des venturis (3)) des tubes des brûleurs. Cela entrave l'acheminement normal du gaz et peut amener celui-ci à refouler hors de l'obturateur d'air. Une telle situation pourrait provoquer un incendie dans les obturateurs d'air et autour de ceux-ci, sous le panneau de commande, causant des dommages sérieux à votre barbecue.

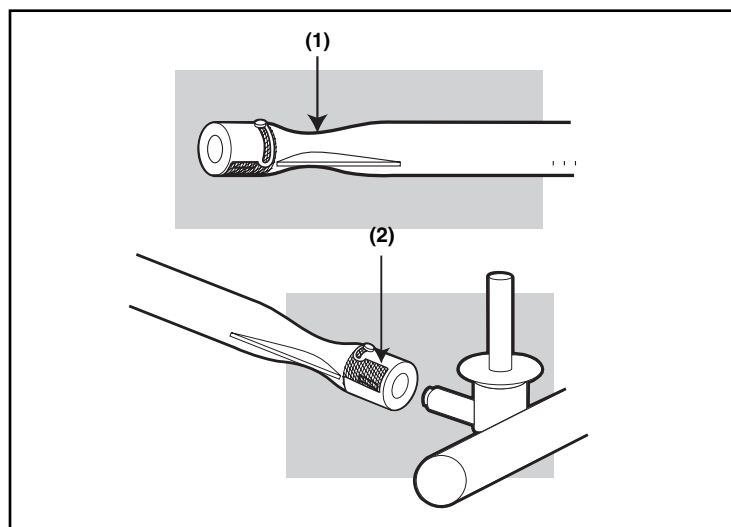
L'obturateur d'air du tube du brûleur est muni d'un écran en acier inoxydable (1), dont le but est d'empêcher les araignées et autres insectes d'accéder aux tubes des brûleurs par les ouvertures des obturateurs d'air.

Nous vous recommandons d'inspecter les écrans pare-araignées/insectes au moins une fois par an. (Voir la section Entretien annuel.) Inspecter également et nettoyer les écrans pare-araignées/insectes si les symptômes suivants venaient jamais à se manifester:

- 1) Odeur de gaz associée à des flammes de brûleurs jaunâtres et faibles.
- 2) Le barbecue n'atteint pas la température voulue.
- 3) Le barbecue chauffe inégalement.
- 4) Un ou plusieurs des brûleurs ne s'allument pas.

⚠ DANGER

Le fait d'ignorer les symptômes mentionnés ci-dessus peut entraîner un incendie qui pourrait provoquer de graves blessures ou la mort, ainsi que des dommages matériels.

**INSPECTION ET NETTOYAGE DES ÉCRANS PARE-ARAIGNÉES/INSECTES**

Pour inspecter les écrans pare-araignées/insectes, retirer le panneau de commande. S'il y a de la poussière ou de la saleté sur les écrans, retirer les brûleurs pour nettoyer les écrans. Voir Entretien, remplacement des brûleurs principaux. Brossez légèrement les écrans pare-araignées/insectes à l'aide d'une brosse en soies douces (p. ex., une vieille brosse à dents).

⚠ ATTENTION: Ne pas utiliser d'outils durs ou acérés. Ne pas déloger les écrans pare-araignées/insectes ou élargir le treillis des écrans.

Tapoter légèrement le brûleur pour déloger les débris et la saleté du tube. Une fois les écrans pare-araignées/insectes et les brûleurs nettoyés, replacer les brûleurs.

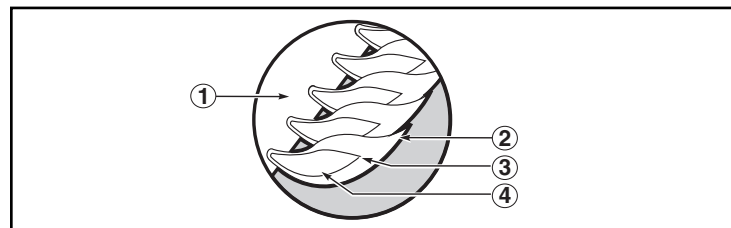
Si les écrans pare-araignées/insectes sont endommagés ou ne peuvent être nettoyés, veuillez contacter le Représentant du service client de votre région à l'aide des coordonnées disponibles sur notre site Internet. Connectez-vous sur www.weber.com®.

FLAMME DES BRÛLEURS PRINCIPAUX

Le mélange d'air et de gaz des brûleurs du barbecue à gaz Weber a été réglé à l'usine. La flamme correcte est illustrée.

- 1) Tube de brûleur
- 2) Pointes parfois jaunâtres
- 3) Bleu clair
- 4) Bleu foncé

Si les flammes ne paraissent pas uniformes sur toute la longueur du tube de brûleur, procédez comme suit pour nettoyer ce dernier.

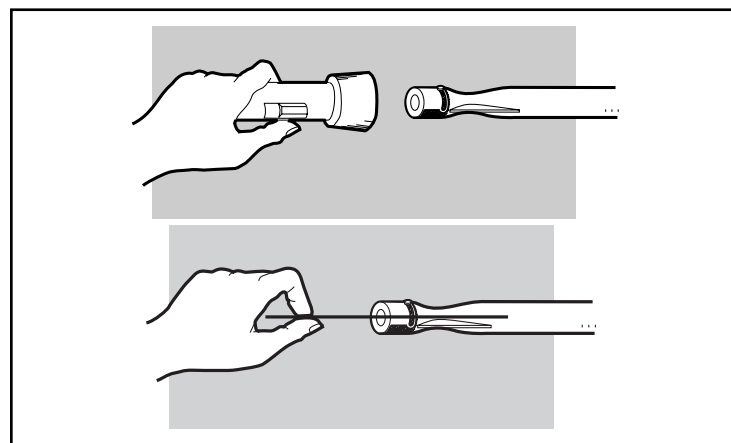
**NETTOYAGE DES BRÛLEURS PRINCIPAUX**

Coupez l'arrivée de gaz. Déposez le collecteur.

Regardez à l'intérieur de chaque brûleur en vous éclairant d'une lampe de poche.

Nettoyez l'intérieur des brûleurs avec un morceau de fil de fer (un cintre redressé fera l'affaire). Vérifiez et nettoyez l'ouverture du registre de ventilation aux extrémités des brûleurs. Vérifiez et nettoyez les orifices au bas des robinets. Servez-vous d'une brosse en laiton pour nettoyer l'extérieur des brûleurs afin de garantir l'ouverture totale des orifices des brûleurs.

⚠ ATTENTION: n'agrandissez pas les orifices des brûleurs lors du nettoyage de ces derniers.



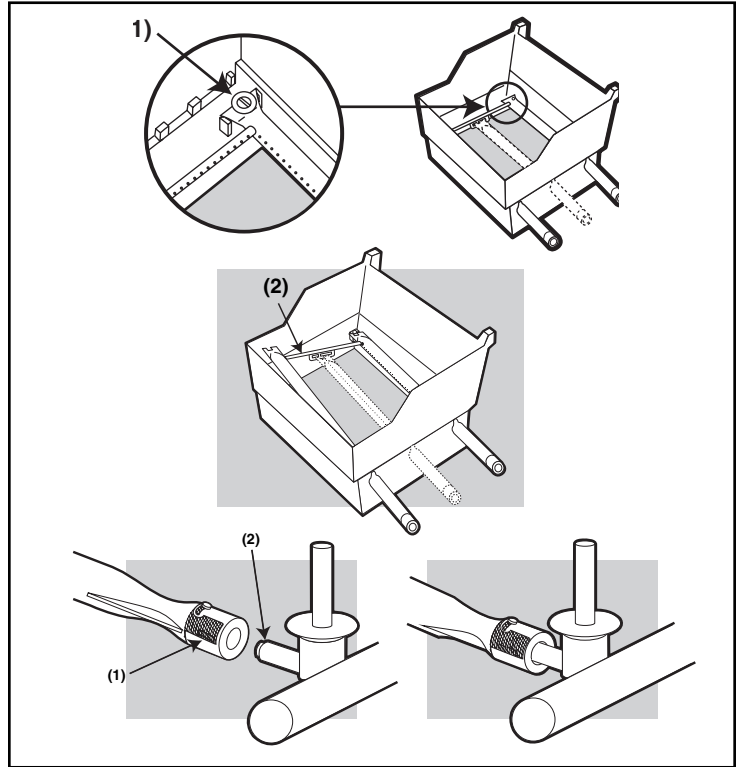
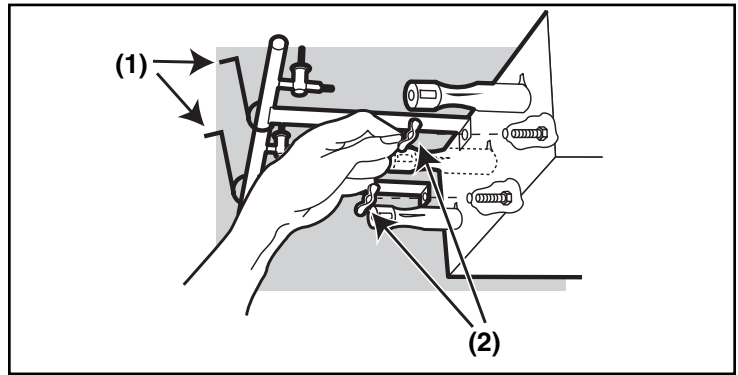
REPLACEMENT DES BRÛLEURS PRINCIPAUX

- 1) Votre barbecue au gaz Weber doit être en position fermée et refroidi.
- 2) Fermer le gaz à la source.
- 3) Pour retirer le panneau de commande: enlever les manettes de réglage des brûleurs. Retirer les vis qui maintiennent le panneau de commande en place. Soulever le panneau de commande.
- 4) Décrocher le support du collecteur (1) et dévisser les deux écrous à oreilles (2) qui fixent le collecteur à la cuve. Retirer l'ensemble collecteur et robinets des brûleurs et le déposer soigneusement à terre.
- 5) Faire coulisser le boîtier des brûleurs au-dessous de la vis guide et de la rondelle (1) dans les coins de la cuve.
- 6) Soulever et faire tourner légèrement le boîtier des brûleurs, afin de séparer le tuyau de raccordement (1) des brûleurs. Retirer les brûleurs de la cuve.
- 7) Pour réinstaller les brûleurs, appliquer la procédure inverse de 3) à 7).

⚠ ATTENTION: Les orifices des brûleurs (1) doivent être disposés correctement au-dessus des orifices des robinets (2).

Vérifier l'assemblage avant de fixer le collecteur à sa place.

⚠ ATTENTION: Après avoir réinstallé les tuyauteries de gaz, elles doivent être vérifiées à l'aide d'une solution savonneuse pour déceler toute fuite avant que le barbecue ne soit utilisé. (Voir la section Vérification des fuites de gaz.)



FONCTIONNEMENT DU SYSTÈME D'ALLUMAGE CROSSOVER®

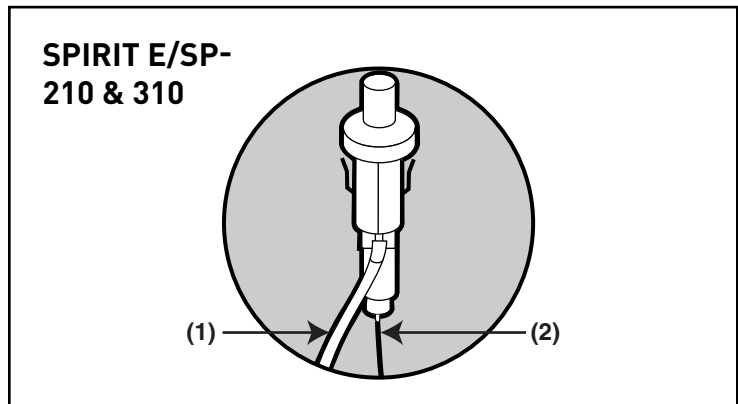
Si le système d'allumage Crossover n'allume pas le brûleur gauche, allumez ce dernier avec une allumette. S'il s'allume alors, vérifiez le système d'allumage Crossover.

- Vérifiez que les fils blanc (1) et noir (2) sont tous deux raccordés correctement.
- Vérifiez que le bouton d'allumage Crossover pousse l'allumeur (bouton) vers le bas et revient en position haute.
- Vérifiez l'allumeur pour voir s'il a du jeu dans le châssis. Resserrez-le si nécessaire; voir l'étape

« Mise en place de l'allumeur » pour la façon correcte de procéder.

Si le système d'allumage Crossover® ne s'allume toujours pas, veuillez contacter le Représentant du service client de votre région à l'aide des coordonnées disponibles sur notre site Internet. Connectez-vous sur www.weber.com.

SPIRIT E/SP-210 & 310



⚠ ATTENTION: This product has been safety tested and is only certified for use in a specific country. Refer to country designation located on outer carton.

These parts may be gas carrying or gas burning components. Please contact Weber-Stephen Products Co., Customer Service Department for genuine Weber-Stephen Products Co. replacement part(s) information.

⚠ WARNING: Do not attempt to make any repair to gas carrying or gas burning components without contacting Weber-Stephen Products Co., Customer Service Department. Your actions, if you fail to follow this product Warning, may cause a fire or an explosion resulting in serious personal injury or death and damage to property.

⚠ ATENCIÓN: A este producto se le han realizado pruebas de seguridad y ha sido certificado para usarse en un país específico. Refiérase al país indicado en la parte externa del cartón de empaque.

Estas partes pueden ser componentes que transporten gas o lo quemen. Por favor póngase en contacto con el Departamento de Atención al Cliente de Weber-Stephen Products Co. para obtener información sobre las partes de repuesto Weber-Stephen Products Co. genuinas.

⚠ ADVERTENCIA: No trate de realizar reparación alguna a los componentes que transporten o quemen gas sin antes ponerse en contacto con el Departamento de Atención al Cliente de Weber-Stephen Products Co. Si no llegase a acatar esta advertencia, sus acciones podrían causar un fuego o una explosión que resulte en lesiones personales serias o la muerte o daños a la propiedad.

⚠ ATTENTION: Ce produit a fait l'objet de tests de sécurité et est certifié pour une utilisation dans un pays particulier uniquement. Vérifiez la désignation de pays située sur le carton d'emballage.

Ces pièces peuvent contenir du gaz ou être des éléments dont la combustion produit du gaz. Veuillez consulter le Service clientèle de Weber-Stephen Products Co. pour des renseignements sur les pièces de rechange originales de Weber-Stephen Products Co..

⚠ MISE EN GARDE: Ne tentez pas d'effectuer des réparations sur des éléments contenant du gaz ou sur des éléments dont la combustion produit du gaz sans contacter le service clientèle de Weber-Stephen Products Co.. Si vous ne suivez pas la présente Mise en garde relative au produit, vos actions risquent de provoquer un incendie ou une explosion entraînant des blessures physiques graves voire un décès ainsi que des dégâts matériels.



WEBER-STEPHEN PRODUCTS CO.

www.weber.com[®]

©2007 The following trademarks are registered in the name of Weber-Stephen Products Co., an Illinois corporation, located at 200 East Daniels Road, Palatine, Illinois 60067 U.S.A. Australia; Smokey Joe, Weber, Kettle Silhouette[®], Genesis, Austria; Kettle Silhouette[®], Smokey Joe, Weber, Benelux; Kettle Silhouette[®], Smokey Joe, Weber, Compact Grill Configuration, Botswana; Weber, Canada; Smokey Joe, Genesis, China; Kettle Silhouette[®], Denmark; Kettle Silhouette[®], Smokey Joe, Weber, Finland; Smokey Joe, France; Kettle Silhouette[®], Smokey Joe, Weber, One-Touch, Germany; Smokey Joe, Weber, One-Touch, Greece; Smokey Joe, Ireland; Kettle Silhouette[®], Smokey Joe, Italy; Smokey Joe, Weber, Japan; Smokey Joe, Weber, Korea; Smokey Joe, Weber, New Zealand; Weber, Smokey Joe, Nigeria; Weber, Norway; Smokey Joe, Weber, Portugal; Weber, South Africa: Smokey Joe, Weber, Kettle Configuration, Spain; Smokey Joe, Weber, Sweden; Kettle Silhouette[®], Smokey Joe, Switzerland; Kettle Silhouette[®], Smokey Joe, Weber, United Kingdom; Smokey Joe, Weber, Weber One-Touch, U.S.A.; Kettle Configuration, Kettle Silhouette[®], Smokey Joe, Weber, One-Touch, Firespice, Go-Anywhere, U.S.A.; Kettle Configuration, Kettle Silhouette, Genesis, Flavorizer, Crossover, Flango, Performer, Rapidfire, Tuck 'N Carry, Jumbo Joe, Bar-B-Kettle, Master-Touch, Spirit, Grill Out, Summit, Platinum, 1-800-Grill-Out, Ranch, Matchless Flame, Zimbabwe; Weber, Kettle Configuration, Kettle Silhouette[®].

Download from Www.Somanuals.com. All Manuals Search And Download.

Thanks for sharing your contact information with us. Again, it all stays strictly between us — Weber does not share customers' names with anyone else. If you need replacement parts or have questions about the assembly, use or maintenance of your grill, please call Weber Customer Service.

Gracias por compartir su información de contacto con nosotros. De nuevo, todo quedará estrictamente entre nosotros — Weber no comparte los nombres de sus clientes con nadie. Si necesita partes de repuesto o tiene preguntas acerca del ensamblaje, uso o mantenimiento del su asador, por favor llame al Departamento de Soporte y Servicio al Cliente de Weber.

Merci de nous avoir communiqué vos coordonnées. Nous vous rappelons que ces informations resteront strictement entre nous : Weber ne communique les noms de ses clients à personne. Si vous avez besoin de pièces de rechange ou si vous avez des questions sur le montage, l'utilisation ou l'entretien de votre grill, veuillez consulter le Service Client de Weber.

For purchases made in the U.S.:
Para compras hechas en los Estados Unidos:
Pour les achats effectués aux États-Unis:

Product Registration
P.O. Box 1999
Palatine, IL 60078-1999
1-800-446-1071

For purchases made in Mexico:
Para compras hechas en México:
Pour les achats effectués au Mexique:

Weber-Stephen Products S.A. de C.V.
Av. López Mateos Sur No. 2077, Local 29
Col. Chapalita 44510 • Guadalajara, Jalisco
Teléfono – (33) 31 22 12 23
R.F.C. WPR 030919 ND4

For purchases made in Canada:
Para compras hechas en Canadá:
Pour les achats effectués au Canada:

Product Registration
P.O. Box 40530
Burlington, ON L7P 4W1
1-800-265-2150

Knowing more about who buys our grills helps the crew back in R&D come up with new cutting edge Weber products. Please fill in the answers you feel comfortable sharing with us, and pass by any question you prefer to leave blank. Thank you for being so generous.

Saber más sobre quién compra nuestros asadores ayuda al equipo de Investigación y Desarrollo a concebir nuevos productos Weber de avanzada. Por favor rellene las respuestas con las que se sienta más cómodo en compartir con nosotros, y pase por alto cualquier pregunta que prefiera dejar en blanco. Gracias por su generosidad.

Le fait de mieux connaître les personnes qui achètent nos grills aide le personnel du service R&D à développer de nouveaux produits Weber innovants. Veuillez répondre aux questions en fournissant les réponses pour lesquelles vous vous sentez à l'aise, et passez toute question que vous préférez laisser sans réponse. Nous vous remercions pour votre générosité.

8. Are you: / Es usted: / Vous êtes:

1. Male / Hombre / Un homme 2. Female / Mujer / Une femme

9. Are you married? / ¿Está casado? / Êtes-vous marié?

1. Yes / Sí / Oui 2. No / No / Non

10. What's your date of birth? / ¿Cuál es su fecha de nacimiento? / Quelle est votre date de naissance ?

Month / Mes / Mois

Day / Día / Jour

Year / Año / Année

11. Including yourself, how many people live in your household? / Incluyéndolo a usted, ¿cuántos viven en su casa? / Vous compris, combien de personnes composent votre foyer ?

1. Children under 18 (example 01, 02, etc.)
Niños menores de 18 (ejemplo 01, 02, etc.)

2. Adults / Adultos / Adultes

12. Do you own or rent the place you call home? / ¿Posee o alquila el lugar que usted llama casa? / Possédez-vous ou louez-vous le lieu que vous appelez votre domicile ?

1. Own / Propio / Propriétaire 2. Rent / Alquiler / Locataire

13. What's your annual household income? / ¿Cuánto es su ingreso familiar anual? / Quel est le revenu annuel de votre foyer ?

1. <\$15,000 9. \$60,000-\$74,999
2. \$15,000-\$24,999 10. \$75,000-\$99,999
3. \$25,000-\$29,999 11. \$100,000-\$149,999
4. \$30,000-\$34,999 12. \$150,000-\$174,999
5. \$35,000-\$39,999 13. \$175,000-\$199,999
6. \$40,000-\$44,999 14. \$200,000-\$249,999
7. \$45,000-\$49,999 15. \$250,000-\$299,999
8. \$50,000-\$59,999 16. >\$300,000

14. Which activities or interests do you have that keep you (or your partner) busy? / ¿Qué actividades o intereses tiene que lo mantienen a usted (o a su compañero/a) ocupado? / Quelles sont les activités ou centres d'intérêt (pour vous ou votre conjoint) qui vous occupent ?

1. Arts or antiques / Artes o antigüedades / Arts ou antiquités
2. Bicycling / Ciclismo / Bicyclette
3. Boating or sailing / Náutica o velerismo / Bateau ou navigation
4. Buying videos / Comprar videos / Achat de vidéos
5. Subscribing to cable TV / Suscripción a televisión por cable / Inscriptions à la TV câblée
6. Camping or hiking / Acampar o excursionismo a pie / Camping ou marche
7. Attending cultural arts or events / Asistir a artes culturales o eventos / Assister à des représentations artistiques ou à des événements culturels
8. Dieting / Hacer dieta / Régime alimentaire
9. Donating to charity / Donar a obras caritativas / Dons à des organismes caritatifs
10. Fishing / Pesca / Pêche
11. Foreign travel / Viajes al extranjero / Voyages à l'étranger
12. Gardening or plants / Jardinería o plantas / Jardinage ou plantes
13. Golf / Golf / Golf
14. Grandchildren / Nietos / Petits-enfants
15. Houseplants / Plantas de interior / Plantes d'intérieur
16. Hunting / Caza / Chasse
17. Motorcycles / Motocicletas / Motocyclettes
18. Needlework / Costura / Couture
19. My cat / Mi gato / Mon chat
20. My dog / Mi perro / Mon chien
21. Listening to music on my CD player / Escuchar música en mi tocadiscos CD / Écouter de la musique sur mon lecteur CD
22. Listening to music on any device / Escuchar música en algún dispositivo / Écouter de la musique quel que soit l'appareil utilisé
23. Personal computers / Computadores personales / Ordinateurs personnels
24. Photography / Fotografía / Photographie
25. Physical fitness or exercise / Mantenerme en buena forma física o ejercicio / Fitness ou exercices physiques
26. Politics / Política / Politique
27. Running / Correr / Course
28. Shopping by mail order or catalog / Comprar por ventas por correo o catálogos / Achats par correspondance ou sur catalogue
29. Snow skiing / Esquiar sobre nieve / Ski
30. Stocks & bonds / Acciones y bonos / Actions & obligations
31. Tennis / Tenis / Tennis
32. Veterans' affairs / Asuntos de los veteranos de guerra / Affaires liées aux anciens combattants
33. Walking / Caminar / Marche
34. Watching sports on TV / Ver deportes por TV / Regarder le sport à la TV
35. Other / Otros / Autre (_____)

PLACE STICKER HERE / COLOQUE LA ETIQUETA
ADHESIVA AQUÍ / PLACEZ L'AUTOCOLLANT ICI

15. Serial number / número de serie / numéro de série

Free Manuals Download Website

<http://myh66.com>

<http://usermanuals.us>

<http://www.somanuals.com>

<http://www.4manuals.cc>

<http://www.manual-lib.com>

<http://www.404manual.com>

<http://www.luxmanual.com>

<http://aubethermostatmanual.com>

Golf course search by state

<http://golfingnear.com>

Email search by domain

<http://emailbydomain.com>

Auto manuals search

<http://auto.somanuals.com>

TV manuals search

<http://tv.somanuals.com>