

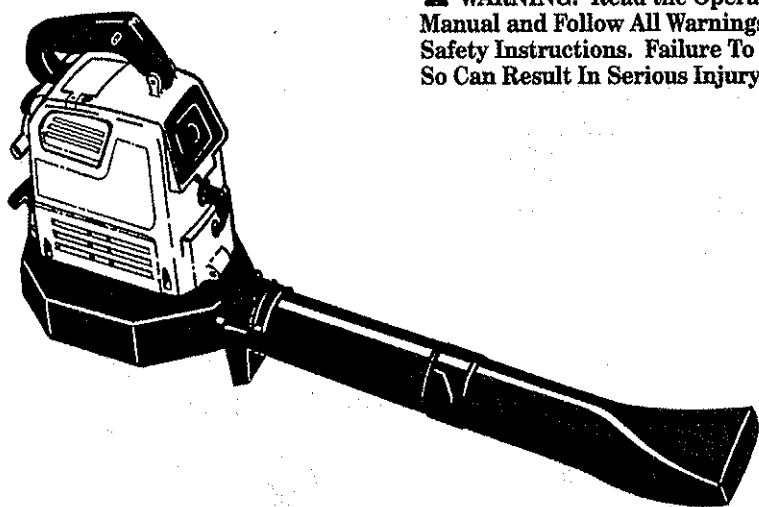
IMPORTANT MANUAL Do Not Throw Away

WEED EATER

® Trademark

ENGLISH

▲ WARNING: Read the Operator's Manual and Follow All Warnings And Safety Instructions. Failure To Do So Can Result In Serious Injury.



ESPAÑOL

OPERATOR'S MANUAL

MODEL: GBI 22V
(22cc BLOWER/VAC)

MODEL: GBI 30V
(30cc BLOWER/VAC)

Always Wear Eye Protection

**CUSTOMER
ASSISTANCE**

1-800-554-6723

SEE BACK COVER FOR DETAILS!

FRANÇAIS

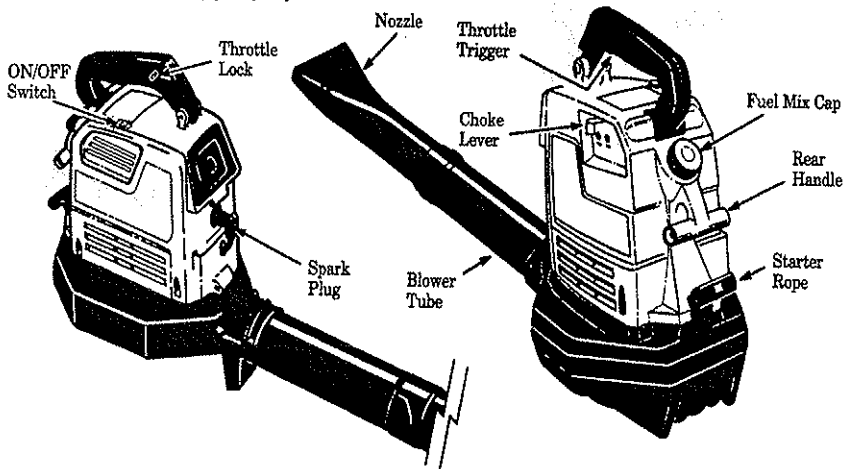
TABLE OF CONTENTS

WARNINGS AND SAFETY INSTRUCTIONS ..	3	STARTING INSTRUCTIONS	9
KNOW YOUR UNIT	4	GENERAL MAINTENANCE	10
ASSEMBLY	4	SPARK PLUG	12
USING YOUR UNIT	6	ACCESSORIES	13
OPERATION - Fueling Your Engine	8	CUSTOMER ASSISTANCE	Back Cover

SPECIFICATIONS

ENGINE TYPE:	2 Cycle Air Cooled	FUEL TANK:	16.5 fl. oz. (470 cc)
DISPLACEMENT:	22cc -- Model GBI 22V	MUFFLER:	Lo Tone
	30cc -- Model GBI 30V	VELOCITY: (as a blower)	155 mph -- Model GBI 22V 170 mph -- Model GBI 30V
ENGINE RPM:	Idle -- 3800-4600 -- Both Models	AIR VOLUME: (as a blower)	350 cu.ft./min. -- Model GBI 22V
	Operating -- 6400-7000 (GBI 22V) Operating -- 7400-8000 (GBI 30V)		360 cu.ft./min. -- Model GBI 30V
IGNITION:	Solid State	SPARK PLUG:	Champion RCJ-8Y
IGNITION TIMING:	Fixed; nonadjustable	SPARK PLUG GAP:	.025" (.63 mm)
CARBURETOR:	All Position Diaphragm	MODULE AIR GAP:	.010"-.014" (.25-35 mm)
ON/OFF SWITCH:	Positive Rocker Switch	LUBRICATION:	Gasoline/Oil Mixture -- See "Fueling Your Engine"
STARTER:	Auto Rewind		

Manufactured under one or more of the following U.S. Patents: 5,269,666; 5,211,144; 5,174,255; 5,033,535; 4,940,022; 4,846,128; 4,674,145; 4,474,327; 4,413,871; 4,404,706; 4,402,106; 4,387,859; 4,305,183; 4,298,576; Re. 33,950; D349,883; D322,971; D304,510; D299,074; D266,355; D253,547. Other U.S. and foreign patents pending.



SPECIAL NOTICE

For users on U.S. Forest Land and in some states, including California (Public Resources Codes 4442 and 4443), Idaho, Maine, Minnesota, New Jersey, Oregon, and Washington: Certain internal combustion engines operated on forest, brush, and/or grass-covered land in the above areas are required to be equipped with a spark arrester, maintained in effective working order, or the engine must be constructed, equipped, and maintained for the prevention of fire. Check with your state or local authorities for regulations pertaining to these requirements. Failure to follow these requirements is a violation of the law. This unit is not factory-equipped with a spark arrester; however, a spark arrester is available as an optional part. If a spark arrester is required in your area, contact your Authorized Service Dealer for the correct kit. The spark arrester, blower tubes, and nozzles must be assembled to the unit to be in full compliance with the regulations.

▲ WARNINGS AND SAFETY INSTRUCTIONS

Failure to follow all Safety Rules and Precautions can result in serious injury.

A. KNOW YOUR UNIT

1. Read your Operator's Manual carefully until you completely understand and can follow all warnings and safety instructions before operating unit.
2. Restrict your unit to users who understand and will follow all warnings and safety instructions in this manual.

B. PLAN AHEAD

1. Always wear eye protection when operating, servicing, or performing maintenance on your unit. Wearing eye protection will help to prevent rocks or debris from being blown or ricocheting into eyes and face which can result in blindness and/or serious injury.
2. Always wear a respirator or facemask when working with the unit in dusty environments.
3. Dress safely in long pants. Do not go barefoot or wear sandals or short pants. Loose clothing, jewelry, or clothing with loosely hanging straps, ties, tassels, etc., can be caught in moving parts.
4. Do not operate the unit when you are tired, ill, upset, or if you are under the influence of alcohol, drugs, or medication.
5. Keep children, bystanders, and animals away from the work area a minimum of 30 feet (10 meters) when starting or operating the unit.
6. Inspect the area before starting the unit. Remove all debris and hard objects such as rocks, glass, wire, etc. that can ricochet, be thrown, or otherwise cause injury or damage during operation.

C. HANDLE FUEL WITH CAUTION

1. Eliminate all sources of sparks or flame (including smoking, open flames, or work that can cause sparks) in the areas where fuel is mixed, poured, or stored.
2. Mix and pour fuel in an outdoor area; store fuel in a cool, dry, well-ventilated place; and use an approved, marked container for all fuel purposes.
3. Do not smoke while handling fuel or while operating the unit.
4. Do not fill the fuel tank while the engine is running.
5. Wipe up all fuel spills before starting engine.
6. Move at least 10 feet (3 meters) away from fuel and fueling site before starting the engine.

D. OPERATE YOUR UNIT SAFELY

1. Stop the engine before opening the vacuum inlet door. The engine must be stopped and the impeller blades no longer turning to avoid serious injury from the rotating blades.
2. Inspect the entire unit before each use for worn, loose, missing, or damaged parts. Do not use until the unit is in proper working order.
3. Keep the outside surfaces free of oil and fuel.
4. Never start or run engine inside a closed room or building. Breathing exhaust fumes can kill.
5. To avoid static electricity shock, do not wear rubber gloves or any other insulated gloves while operating the unit.
6. Do not set the unit on any surface except a clean, hard area while the engine is running. Debris such as gravel, sand, dust, grass, etc. could be picked up by the air intake and thrown out through

the discharge opening, damaging the unit, property, or causing serious injury to bystanders or operator.

7. Avoid dangerous environments. Do not use in unventilated areas or where explosive vapors or carbon monoxide build up could be present.
8. Do not overreach or use from unstable surfaces such as ladders, trees, steep slopes, rooftops, etc. Keep firm footing and balance at all times.
9. Never place objects inside the blower tubes; always direct the blowing debris away from people, animals, glass, and solid objects such as trees, automobiles, walls, etc. The force of air can cause rocks, dirt, or sticks to be thrown or to ricochet which can hurt people or animals, break glass, or cause other damage.
10. Never run the unit without the proper equipment attached. When using your unit as a blower, always install blower tubes. When using your unit as a vacuum, always install vacuum tubes and collection bag assembly. Make sure collection bag assembly is completely zipped as shown in Figure 4.
11. Check air intake opening, blower tubes, vacuum tubes, and elbow tube frequently, always with the engine stopped and the spark plug disconnected. Keep vents and discharge tubes free of debris which can accumulate and restrict proper air flow.
12. Never place any object in the air intake opening as this could restrict proper air flow and cause damage to the unit.
13. Never use for spreading chemicals, fertilizers, or other substances which may contain toxic materials.
14. To avoid spreading fire, do not use near leaf or brush fires, fireplaces, barbecue pits, ashtrays, etc.
15. Use only for jobs explained in this manual.

E. MAINTAIN YOUR UNIT PROPERLY

1. Have all maintenance other than the recommended procedures described in the Operator's Manual performed by your Service Dealer.
2. Disconnect spark plug before performing maintenance except for carburetor adjustment.
3. Use only recommended WEED EATER replacement parts; use of any other parts may void your warranty and cause damage to your unit.
4. Check air intake openings and blower tubes frequently, always with the engine stopped. Keep vents and tubes free of debris which can accumulate and restrict proper air flow.
5. Empty the fuel tank before storing the unit. Use up fuel left in carburetor by starting the engine and letting it run until it stops.
6. Do not use any accessory or attachment other than those recommended by the manufacturer for use with your unit.
7. Do not store the unit or fuel in a closed area where fuel vapors can reach sparks or an open flame from hot water heaters, electric motors or switches, furnaces, etc.
8. Store in a dry area out of reach of children.

If situations occur which are not covered in this manual, use care and good judgement. If you need assistance, contact your Authorized Service Dealer or the CUSTOMER ASSISTANCE HELPLINE at 1-800-554-6723.

SAFETY NOTICE

Exposure to vibrations through prolonged use of gasoline powered hand tools could cause blood vessel or nerve damage in the fingers, hands, and joints of people prone to circulation disorders or abnormal swellings. Prolonged use in cold weather has been linked to blood vessel damage in otherwise healthy people. If symptoms occur such as numbness, pain, loss of strength, change in skin color or texture, or loss of feeling in the fingers, hands, or joints, discontinue the use of this tool and seek medical attention. An anti-vibration system does not guarantee the avoidance of these problems. Users who operate power tools on a continual and regular basis must monitor closely their physical condition and the condition of this tool.

KNOW YOUR UNIT

A. INTRODUCTION

Your blower is a high performance product designed for tough jobs.

Special Features include:

- Top handle for one-handed operation.
- Anti-Vibration Handle.
- Weight - 12 lbs. (5.5 kg)
- Convenient upright storage.
- Rear Assist Handle for versatile operation.
- Available Gutter Attachment Kit
- Vacuum capability is included.

B. UNPACKING INSTRUCTIONS

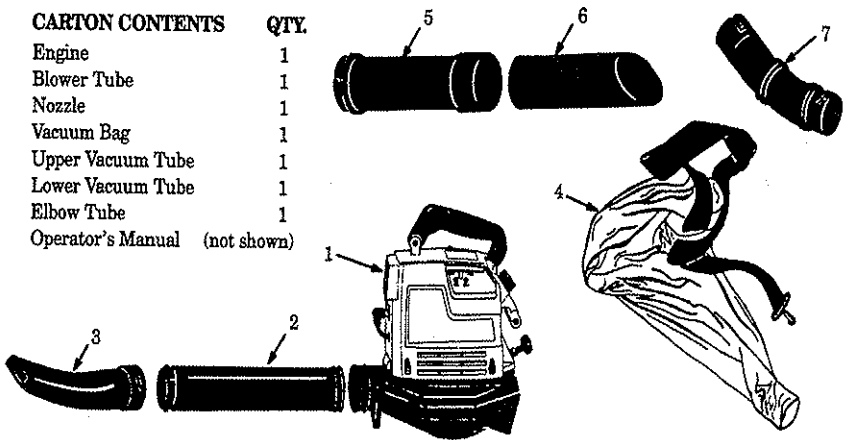
1. Remove contents from the carton if you have not done so.
2. Check parts against the Carton Contents List.
3. Examine parts for damage. Do not use damaged parts.
4. Notify your Service Dealer immediately if a part is missing or damaged.

NOTE: It is normal to hear the fuel filter rattle in an empty fuel tank.

NOTE: Your unit has been factory tested and the carburetor precisely adjusted. Therefore, it is possible to smell gasoline or to find a drop of oil/fuel residue on the muffler.

KEY

NO.	CARTON CONTENTS	QTY.
1.	Engine	1
2.	Blower Tube	1
3.	Nozzle	1
4.	Vacuum Bag	1
5.	Upper Vacuum Tube	1
6.	Lower Vacuum Tube	1
7.	Elbow Tube	1
8.	Operator's Manual (not shown)	



ASSEMBLY

A. PREPARATION

Your Operator's Manual has been developed to help you assemble the unit and to understand its safe operation. It is important that you read your manual completely to become familiar with the unit before you begin assembly. If you have any questions or need further assistance, call our CUSTOMER ASSISTANCE HELPLINE at 1-800-554-6723.

1. READ YOUR OPERATOR'S MANUAL(S).

2. No tools are required for assembly.

NOTE: To ease assembly, lubricate locking tabs before assembling tubes.

B. BLOWER TUBE ASSEMBLY

1. Locate the two locking tabs on the side of the blower tube. Figure 1.
2. Align the retention grooves on the nozzle with the locking tabs on the blower tube and push the nozzle onto the blower tube.
3. Turn nozzle clockwise until parts snap into place.

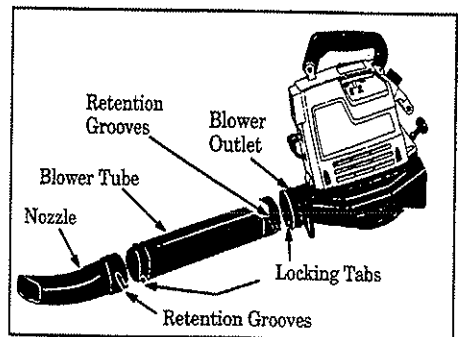


Figure 1

4. Align retention grooves on the blower tube with the locking tabs in the blower outlet and push the blower tube into the blower outlet. Figure 1.
5. Turn tube clockwise until parts snap into place.

C. VACUUM BAG ASSEMBLY

1. Open the zipper on the large end of the vacuum bag.

NOTE: The end of the Elbow Tube with the recessed Grooves should be inserted through the bag tube opening. See Figure 2.

2. Insert the Elbow Tube through the zipper opening in the vacuum bag (Figure 3). Then, push the end of the Elbow Tube with the recessed grooves through the bag tube opening in the other end of the bag. Figure 3. Make sure the bag tube opening is flush against the tube flange. Figure 2.

3. Close the zipper on the bag. Make sure the zipper is closed completely and the zipper seam is tucked toward the inside of the bag. Figure 4 (inset).

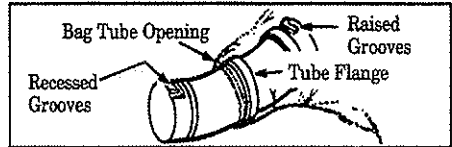


Figure 2



Figure 3

D. VACUUM TUBE ASSEMBLY

⚠ WARNING

Stop the engine before opening the vacuum inlet door or attempting to insert or remove the vacuum tubes. The engine must be stopped and the impeller blades no longer turning to avoid serious injury from the rotating blades.

1. Remove the blower tube from the engine. Figure 4.
2. Set the unit, blower outlet up, on a flat surface (Figure 5). Open the vacuum inlet cover as follows:
 - a. Insert a screwdriver into latch area. Figure 5.
 - b. Gently twist the tip of the screwdriver and open the vacuum inlet cover with your other hand.

NOTE: To ease assembly, lubricate locking tabs before assembling tubes to unit.

3. Hold open vacuum inlet cover and align the grooves on the upper vacuum tube with the locking tabs inside the vacuum inlet. Figure 6. Insert the upper vacuum into the vacuum inlet; twist the upper vacuum tube clockwise until parts snap together.
4. Assemble the vacuum tubes by aligning the slanted end of the lower vacuum tube with the blower outlet. Figure 6. Push the two tubes together until the lower vacuum tube bottoms out inside the upper vacuum tube [about 3" (7.5 cm)]. Figure 6.

NOTE: Observe that the bottom end of the lower vacuum tube is cut at an angle. Make sure that the slanted end of the vacuum tube is aligned with the blower outlet as shown in Figure 6.

5. Align grooves on the elbow tube with the locking tabs inside the blower outlet. Figure 7 (inset). For proper alignment, be sure elbow tube is curved to the right as shown in Figure 7. Insert the elbow tube into the blower outlet; twist the elbow tube counterclockwise until the parts snap together.
6. Adjust the vacuum collection bag until the shoulder strap is aligned with the upper handle. Figure 8.

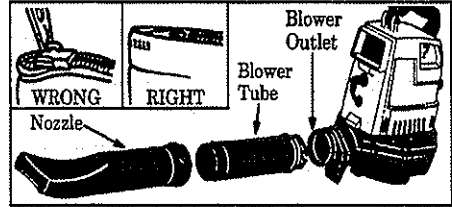


Figure 4

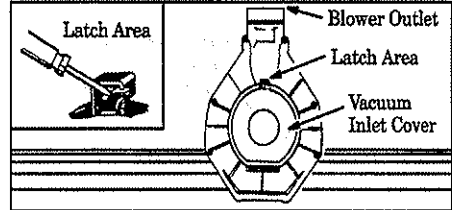


Figure 5

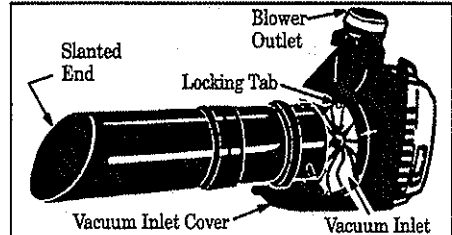


Figure 6

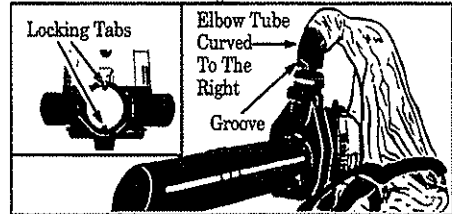


Figure 7

E. SHOULDER STRAP ADJUSTMENT

1. With your left hand hold the unit in an upright position, supporting the lower vacuum tube on the ground. Figure 8. Make sure the blower outlet and collection bag are positioned on your right-hand side. Figure 8.
2. Place the collection bag strap over your left shoulder and snap the collection bag hook onto the strap retainer in the top handle. Figure 8 (inset).
3. Extend your right arm toward the rear of the collection bag. Figure 8.
4. Adjust the shoulder strap until the collection bag/shoulder strap seam lies between your thumb and index finger. Figure 8.
5. Make sure the Shoulder Strap is adjusted to allow a free flow of air from the elbow tube. Figure 8. If bag is kinked, the unit will not operate properly.

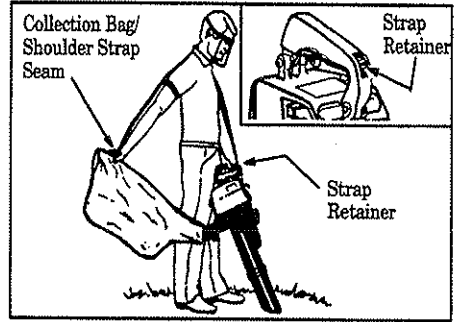


Figure 8

F. BLOWER CONVERSION

1. Stop engine.
2. Remove the vacuum tubes and collection bag assembly.

3. Secure the vacuum inlet cover. Make sure that the latch on the vacuum inlet cover is securely fastened.
4. Reinstall the blower tubes as shown in the "Blower Tube Assembly" section.

USING YOUR UNIT

A. OPERATOR SAFETY

▲ WARNING

Do not assemble or disassemble the vacuum tube while the engine is running. Inserting or removing the vacuum tube while the engine is running can result in serious injury. Always stop the engine and disconnect the spark plug before unclogging the unit or performing any maintenance on the collection bag.

As a blower, the unit is designed to sweep debris, grass, straw, leaves, small twigs, or light snow. It can also be used for fast drying wet outdoor areas such as a patio, sidewalk, carport, etc. Never use for spreading or misting chemicals, fertilizers, or any other materials which may contain toxic substances. As a vacuum, the unit is designed to pick up dry material such as leaves, grass, small twigs, and bits of paper. Do not attempt to vacuum stones, gravel, metal, broken glass, or any other debris which may cause damage to the impeller. Do not attempt to vacuum water or any other liquids. Vacuuming water or other liquids will cause damage to the engine. Avoid situations that could catch the collection bag on fire. Do not operate near an open flame. Do not vacuum discarded cigars or cigarettes or ash from fireplaces, barbecue pits, brush piles, etc.

1. Read your Operator's Manual. Make sure you completely understand and can follow all warnings and safety instructions in the manual before operating the unit.
2. Always wear eye protection to prevent rocks or debris from being blown or ricocheting into eyes and face which can result in blindness or other serious injury.
3. Always wear a respirator or facemask when working in dusty environments.
4. Check the unit before each operation. Look for worn, loose, missing, or damaged parts. Do not use the unit until it is in proper working order.
5. Dress safely in long pants. Do not go barefoot or wear sandals or short pants. Loose clothing, jewelry, or clothing with loosely hanging straps, ties, tassels, etc., can be caught in moving parts.

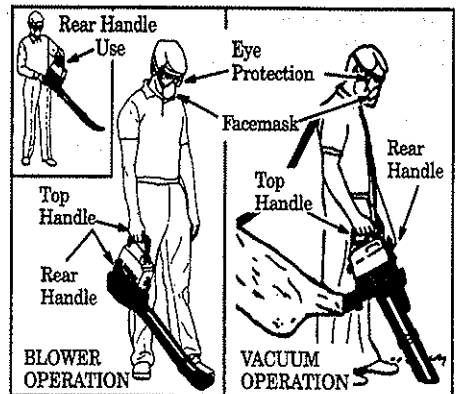


Figure 9

6. Inspect the entire area before starting the engine. Remove all debris and objects such as rocks, glass, wire, large sticks, etc., that can cause damage during operation.
7. Keep children, bystanders, and animals safely away. Before starting the engine and during operation, make certain people and animals are a minimum of 30 feet (10 m) away from the work area.
8. To avoid shock from static electricity, do not wear rubber or any other insulated gloves while operating the unit.
9. Never run the unit without the proper equipment attached. When using your unit as a blower, always install blower tubes. When using your unit as a vacuum, always install vacuum tubes and collection bag assembly. Make sure collection bag assembly is completely zipped as shown in Figure 4.
10. Check air intake opening, blower tubes, vacuum tubes, and elbow tube frequently, always with the engine stopped and the spark plug disconnected. Keep vents and discharge tubes free of debris which can accumulate and restrict proper air flow.

11. Never place objects inside the blower tubes; always direct blowing debris away from people, animals, glass, and solid objects such as trees, automobiles, walls, etc. The force of air can cause rocks, dirt, or sticks to be thrown or to ricochet which may hurt people or animals, break glass, or cause other damage.

12. Use the correct operating position. Figure 9. Do not overreach or use from unstable surfaces such as ladders, trees, steep slopes, roof tops, etc. Keep firm footing and balance at all times.

13. When using your unit as a vacuum, always use collection bag shoulder strap to avoid loss of control.

B. OPERATING TIPS -- BLOWER

▲ WARNING

Do not use the unit as a blower without the blower tubes properly attached to avoid impeller contact which can cause serious injury.

1. Always work going away from solid objects such as walls, large stones, automobiles, and fences.
2. Clean corners by starting in corners and moving outward to straight areas to prevent an accumulation of debris which could fly into face.
3. Be careful when working near plants. The force of the air could damage tender plants.
4. Direct air flow by directing the nozzle down or to one side.
5. Vary the air flow by adjusting your grip on the throttle trigger.

▲ WARNING

Always wear eye protection to prevent rocks or debris from being blown or ricocheting into eyes and face which can result in blindness or serious injury.

6. Use the rear handle located on the back of the unit when working above the waist or when a two-handed grip is desired.
7. Uses For Your Blower:
 - a. Sweeping debris or grass clippings from driveways, sidewalks, patios, parks, parking lots, barns, stadiums, etc.
 - b. Blowing grass clippings, straw, or leaves into piles.
 - c. Fast drying wet outdoor areas such as a patio.
 - d. Removing debris from corners, around joints, and between bricks.
 - e. Blowing light snow from driveways, sidewalks, or patios.

C. OPERATING TIPS -- VACUUM

▲ WARNING

Do not use the unit as a vacuum without the vacuum tube and collection bag properly attached to avoid flying debris and/or impeller contact which can cause serious injury. Always make sure the collection bag is completely zipped before the engine is started.

1. When using your unit as a vacuum, best results are achieved when the unit is operated at full throttle. Easier operation may be obtained by engaging the throttle lock before beginning vacuuming procedures.
2. Move the unit slowly back and forth over debris to be vacuumed. Avoid forcing the vacuum tube into a pile of debris as this can clog the unit.
3. The vacuum can pick up objects that are too big to pass through the impeller. This type of object will fall out of the vacuum tubes when the engine is stopped.

4. If the unit becomes clogged:
 - a. Stop the engine and disconnect the spark plug wire. Do not attempt to remove obstructions with the engine running.
 - b. Wait until the impeller has completely stopped turning, then remove the vacuum tube.
 - c. Carefully reach into the vacuum opening and clear out debris.
5. The collection bag must be properly emptied and maintained to avoid deterioration and obstruction of air flow which will reduce the performance of the vacuum.
 - a. Remove the bag from the unit and empty after each use. Do not store bag containing leaves, grass, etc.
 - b. Wash the bag once a year as follows:
 - 1) Turn the bag inside out.
 - 2) Hang it up.
 - 3) Thoroughly hose down the bag.
 - 4) Let it hang until dry.



OPERATION -- Fueling Your Engine

BEFORE FUELING ENGINE:



WARNING

BE SURE TO READ THE FUEL INFORMATION IN THE WARNINGS AND SAFETY INSTRUCTIONS SECTION BEFORE YOU BEGIN.

IF YOU DO NOT UNDERSTAND THE SAFETY RULES, DO NOT ATTEMPT TO FUEL YOUR UNIT; CALL THE CUSTOMER ASSISTANCE HELPLINE AT 1-800-554-6723.

GASOLINE

The 2-cycle engine on this product requires a fuel mixture of regular unleaded gasoline and a high quality engine oil for lubrication of the bearings and other moving parts. The correct fuel/oil mixture is 40:1 (see Fuel Mixture Chart). Too little oil or the incorrect oil type will cause poor performance and may cause the engine to overheat and seize.

Gasoline and oil must be premixed in a clean container approved for gasoline. Always use fresh regular unleaded gasoline.

This engine is certified to operate on unleaded gasoline.

2-CYCLE AIR-COOLED OIL:

WEED EATER 40:1, 2-cycle engine oil is strongly recommended. *WEED EATER* oil is especially blended with fuel stabilizers and reduced smoke additives.

- Fuel stabilizers protect the fuel from oxidation and the formation of gum and varnish.
- Under average conditions, regular unleaded gasoline stays fresh for 30 to 60 days out of the refinery.
- WEED EATER 40:1, 2-cycle engine oil with fuel stabilizers will extend the fuel life by up to 5 times.

If WEED EATER 40:1, 2-cycle engine oil is not available, use a good quality 2-cycle engine oil, formulated for AIR-COOLED engines, that has a recommended fuel mixture of 40:1.

IMPORTANT! Do not use:

- AUTOMOTIVE OIL
- BOAT OILS (NMMA, BIA, etc.)

These oils do not have proper additives for 2-cycle, AIR-COOLED engines and can cause engine damage.

GASOLINE AND OIL MIXTURE

Mix gasoline and oil as follows:

- Consult Fuel Mixture Chart for correct mixture.
- Do not mix gasoline and oil directly in the fuel tank of the engine.

FOR ONE GALLON OF FUEL:

- Pour 3.2 ounces of high quality, 2-cycle engine oil into an empty, container approved for gasoline.
- Add one gallon of regular unleaded gasoline to the container, then securely replace the cap. Shake the container momentarily to assure oil is thoroughly mixed. The fuel is ready for use.

FUEL MIXTURE CHART

40:1 Fuel:Oil Mix Ratio

Gasoline	Oil (fl. oz.)
1 U.S. gal. (3.8 l)	3.2 fl. oz. (95 ml)
1.25 U.S. gal. (4.7 l)	4.0 fl. oz. (118 ml)
2.5 U.S. gal. (9.5 l)	8.0 fl. oz. (237 ml)

NOTE: One gallon fuel containers can hold more than one gallon. If too much gasoline is in the container, the resulting gas-to-oil mixture will not be correct for proper engine operation.

STARTING INSTRUCTIONS

- **To Stop the Engine:**
 - To stop engine, move the switch to the "OFF" position. Figure 10.
- **Before Starting the Engine:**
 - Fuel the engine. Move at least 10 feet (3 meters) away from the fueling site.
 - Hold the unit in the starting position as shown in Figure 11. Make sure the blower end is directed away from people, animals, glass, and solid objects.

▲ WARNING

When starting engine, hold the unit as shown in Figure 11. Do not set unit on any surface except a clean, hard area when starting engine or while engine is running. Debris such as gravel, sand, dust, grass, etc. could be picked up by the air intake and thrown out through the discharge opening, damaging the unit or property or causing serious injury to bystanders or the operator.

- **For a Cold Engine or a Warm Engine After Running Out of Fuel.**
 - Move switch to the "ON" position. Figure 10.
 - Move choke to "FULL" position. Figure 10.
 - Grasp handle and squeeze throttle trigger fully. Hold throttle trigger until engine is warm.
 - Pull starter rope sharply until engine attempts to run, but no more than 8 pulls on full choke. The engine "attempts to run" may be hard to hear. The operator must listen carefully. After 8 pulls, proceed to the following step even if the engine has not attempted to run.
 - Move choke to "HALF" position. Figure 10.
 - Pull starter rope sharply until engine runs, but no more than 5 pulls.

NOTE: If engine has not started after 5 pulls, repeat all of the above steps.

- Allow engine to run for 10 to 15 seconds, then move choke to "OFF" position. Figure 10.

• Release the throttle trigger.

NOTE: If engine dies with choke at "OFF" position, move the choke to the "Half" position and pull the starter rope 5 more times. If engine does not start and operate properly, refer to "Carburetor Adjustments."

- To stop engine, move the switch to the "OFF" position. Figure 10.

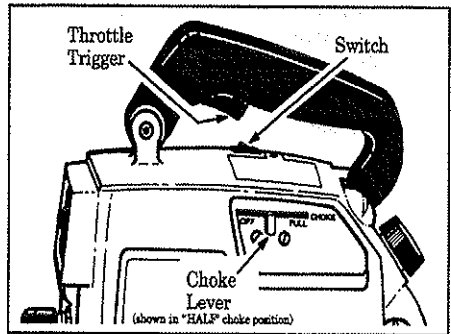


Figure 10

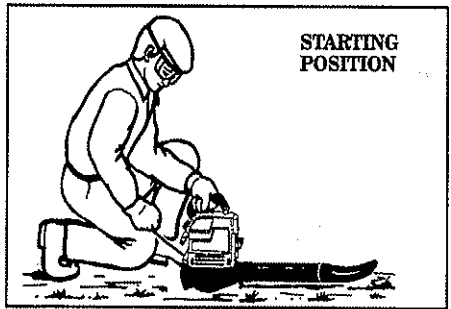


Figure 11

- **For a Warm Engine:**
 - Move switch to the "ON" position. Figure 10.
 - Move choke to "HALF" position. Figure 10.
 - Grasp handle; squeeze throttle trigger fully and hold until engine starts.
 - Pull starter rope sharply until engine runs, but no more than 5 pulls.
 - Move choke to "OFF" position. Figure 10. Then, release the throttle trigger.

NOTE: If engine does not run after 5 pulls, it is probably flooded. Wait a few minutes and repeat procedure with choke at "OFF" position.

- To stop engine, move the switch to the "OFF" position. Figure 10.



GENERAL MAINTENANCE

A. Air Filter

A dirty air filter decreases engine performance and increases fuel consumption and harmful emissions.

Clean the air filter:

- Frequently,
- Always clean after 5 tanks of fuel or 5 hours of operation, whichever is less.

Follow these steps:

1. Move the choke lever to "Full." Figure 10.
2. Remove the air filter cover screw on top of the unit (under the handle).
3. Remove the air filter cover and air filter.
4. Wash the air filter with soap and water.

CAUTION: Do not clean filter in gasoline or other flammable solvent to avoid creating a fire hazard or producing harmful evaporative emissions.

5. Squeeze the air filter dry.
6. Add 4 or 5 drops of oil to the air filter.

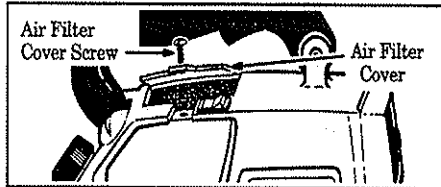


Figure 12

NOTE: Avoid soaking the air filter with oil.

7. Squeeze the air filter to distribute oil.
8. Replace the air filter/cover. Return the choke lever to the "Off" position. Figure 10.

CAUTION: The holes in the air filter must be fitted over the posts on the air filter cover. When installing the filter/cover, be sure that the filter does not hang on the choke lever screw.

NOTE: If replacing the air filter, refer to the Accessory List for the proper part number.

B. FUEL TANK

Never use gasoline that is more than 2 months old. Gasoline begins to break down after a short period of time and will form compounds that cause hard starting and damage in 2-cycle engines. Using a fuel mix or gasoline over 2 months old will cause the engine to be difficult or impossible to start.

1. Inspect the unit for fuel leaks each time it is used. Repair or replace parts as necessary.
2. Drain all fuel from the unit or allow unit to run out of fuel before storing.

C. STARTER ROPE

Replace a worn or broken starter rope.

NOTE: If the rope is not broken, cut the rope and allow the rope to rewind onto the pulley.

▲ WARNING

Do not remove the Pulley when replacing the starter rope. Always wear eye protection when servicing the starter rope. The recoil spring, located beneath the pulley, is under tension. If the spring pops out, serious injury can result.

To repair or replace:

1. Disconnect spark plug wire from the spark plug.
2. Open the air inlet cover. Remove the impeller nut and washers while holding impeller. Figure 13.
3. Remove the 4 impeller shroud screws and the 2 engine shroud screws. Figure 14. Remove the impeller shroud from the engine shroud.
4. Remove the 5 screws from pulley housing. Figure 15. Then, gently pull open engine shroud and remove pulley housing and pulley from engine.
5. Remove rope retainer screw on the pulley (Figure 16) and remove the broken piece of rope, if any.
6. Grasp the pulley ratchet and wind the pulley clockwise until the pulley stops. Then, slowly unwind the pulley counterclockwise until the pulley notch is aligned with the pulley housing notch. Figure 16. Insert the hex wrench into the hole formed by the aligned notches. Figure 16.

NOTE: If installing a new rope, proceed to step 7. If reinstalling an old rope, proceed to step 10.

7. Move away from fuel tank and melt ends of rope.

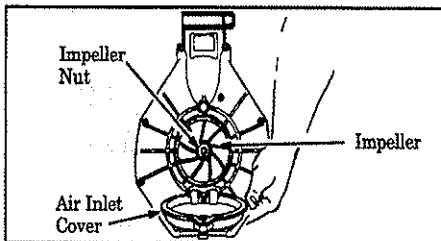


Figure 13

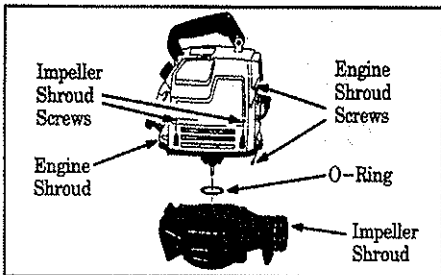


Figure 14

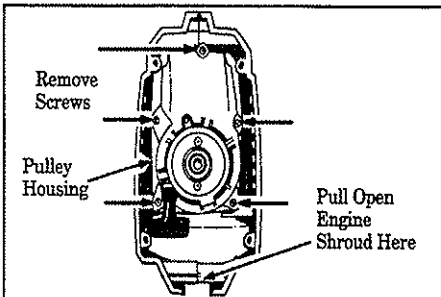


Figure 15

8. Allow each melted end to drip once; then while the rope is still hot, pull each melted end through a clean rag to obtain a smooth, pointed end.
9. Insert one end of the rope through the handle and secure with a knot. Leave $3/16"$ (5 mm) pigtail behind the knot. Figure 17 (Inset).
10. Insert the other end of the rope through the metal grommet, then under the rope guide. Figure 17.
11. Guide rope inside the pulley, then through pulley hole. Figure 16.
12. Wrap rope counterclockwise around the pulley ratchet and tuck the loose end back under the rope, leaving about a 1 inch (25 mm) tail next to the retainer rib. Figure 18.

NOTE: In step 13., do not overtighten the retainer screw. Over tightening the screw can cause the screw post to strip out. Tighten the screw until the bottom of the washer *either* (1) is snug against the rope or (2) contacts the top of the screw post.

13. Install and tighten the retainer screw and washer. Figure 18.
14. Pull the rope tightly around the pulley ratchet.
15. Slightly pull the rope to relieve the pressure on the hex wrench. Remove the hex wrench and allow the rope to rewind slowly.
16. Reassemble the pulley housing to the engine. Tighten screws securely.

NOTE: Be sure the rubber O-ring is installed onto the pulley housing. See Figure 14.

17. Align the hole in the impeller with impeller shaft, making sure flat sides are aligned. Figure 19.
18. Assemble parts. Reverse steps 1. through 3. to reassemble.

D. STORAGE

1. Clean the unit before storing. Pay particular attention to the air intake area, keeping it free of debris. Use a mild detergent and sponge to clean the plastic surfaces.
2. Do not store the unit or fuel in a closed area where fuel vapors can reach sparks or an open flame from hot water heaters, electric motors or switches, furnaces, etc.
3. Store in a dry area out of the reach of children.

CAUTION: It is important to prevent gum deposits from forming in essential fuel system parts such as the carburetor, fuel filter, fuel hose or fuel tank during storage. Experience indicates that alcohol blended fuels (called Gasohol or using ethanol or methanol) can attract moisture which leads to separation and formation of acids during storage. Acidic gas can damage the fuel system of an engine while in storage.

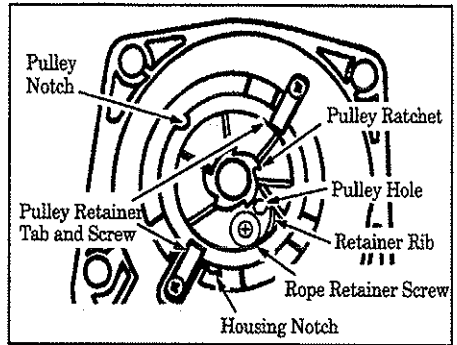


Figure 16

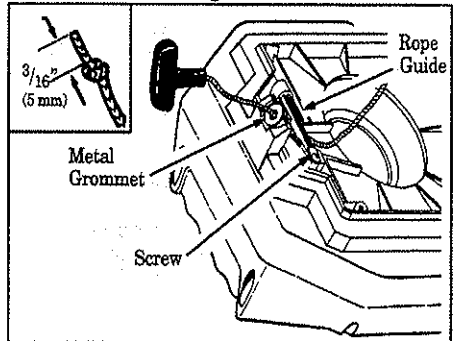


Figure 17

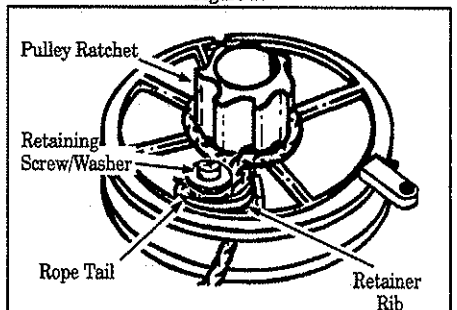


Figure 18

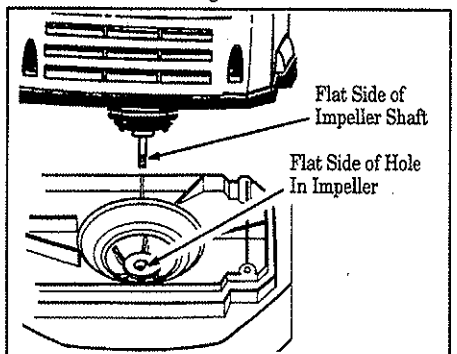


Figure 19

E. CARBURETOR ADJUSTMENTS

NOTE: Properly adjusting the carburetor is a complicated task. Read all warnings and instructions thoroughly before starting adjustments. If you do not think that you completely understand all warnings and instructions, let your Authorized Service Dealer perform these adjustments.

- Poor engine performance can be a result of things such as a dirty air filter, carbon build-up on muffler outlets, etc. See "Trouble Shooting Chart" before proceeding with carburetor adjustments.
- For best results, it is recommended that you have an Authorized Service Dealer make all carburetor adjustments. Your dealer has the training, experience, and tools necessary to properly adjust your unit to meet our factory performance specifications. *This service is not covered by warranty.* If it becomes necessary for you to make carburetor adjustments yourself, follow the described procedures very carefully.
- Very small adjustments can affect engine performance. It is important to turn the screw a very small amount per adjustment and test performance before making further adjustments. Each adjustment should be no more than the width of the slot in the adjusting screw.
- This is a complicated task; it is important to follow instructions in sequence as indicated.

1. TROUBLE SHOOTING SUGGESTIONS

- Engine will not continue to run at idle position. See "Idle Speed Adjustment" and "Mixture Adjustment."
- Loss of power which cannot be corrected by cleaning air filter. See "Mixture Adjustment."
- Engine will not run. See "Trouble Shooting Chart." Then, if carburetor requires adjustment, begin with "Basic Carburetor Settings."

▲ WARNING

The impeller will be spinning during this procedure. Wear your protective equipment and observe all safety instructions.

2. BASIC CARBURETOR SETTINGS

NOTE: In most cases, your engine can be made to run properly with minor carburetor adjustments. Refer to "Trouble Shooting Suggestions" in the left column for the condition you are experiencing and follow the instructions. The basic carburetor settings are provided below.

- Turn the mixture screw counterclockwise until it stops. *Do not attempt to adjust the screw beyond the stops as damage can occur.*

3. ADJUSTING PROCEDURE

a. PREPARATION

1. Use a fresh fuel mix. See Fueling section.
2. Make sure the blower tube and nozzle are installed to provide correct load on engine.

NOTE: If your unit is equipped with the vacuum attachment, you must remove the vacuum tube and bag assembly and install the blower tube and nozzle before performing these adjustments.

3. Start the engine and let it run at full throttle for 3 minutes to warm up. *The engine must be at operating temperature before carburetor adjustments can be performed correctly.*

b. IDLE SPEED ADJUSTMENT

1. Allow engine to idle.
2. Adjust idle speed screw (Figure 20) until engine continues to run without stalling.
 - Turn screw clockwise to increase engine speed if the engine stalls or dies.
 - Turn screw counterclockwise to slow engine down.
3. No further adjustments are necessary if performance is satisfactory.

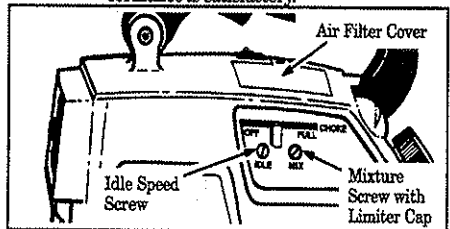


Figure 20

c. MIXTURE ADJUSTMENT

CAUTION: Do not operate engine at full throttle for prolonged periods while making mixture adjustments as damage to the engine can occur.

1. Start the engine.

NOTE: Perform steps "2." through "3." at full throttle.

2. Turn the mixture screw (Figure 20) counterclockwise until it stops. *Do not attempt to adjust the screw beyond the stops as damage can occur.*
3. Turn the screw slowly the minimum amount clockwise until the engine runs smoothly. *Do not attempt to adjust the screw beyond the stops as damage can occur.*
4. If the engine accelerates and runs smoothly, no further adjustments are necessary.

CAUTION: If the engine does not operate according to these instructions after repeating the adjusting steps, do not use the unit. Take it to your Authorized Service Dealer.

F. SPARK PLUG -- Replace the spark plug yearly.

G. TROUBLE SHOOTING CHART

TROUBLE	CAUSE	REMEDY
Engine will not start.	<ol style="list-style-type: none"> 1. Ignition switch off. 2. Engine flooded. 3. Fuel tank empty. 4. Spark plug not firing. 5. Fuel not reaching carburetor. 6. Compression low. 	<ol style="list-style-type: none"> 1. Move Ignition switch to "ON." 2. See "Starting Instructions." 3. Fill tank with correct fuel mixture. 4. Install new spark plug. 5. Check for dirty fuel filter; clean. Check for kinked or split fuel line; repair or replace. 6. Contact your Service Dealer.
Engine will not idle properly.	<ol style="list-style-type: none"> 1. Idle speed set too low. 2. Idle speed set too high. 3. Mixture screw requires adjustment. 4. Crankshaft seals worn. 5. Compression low. 	<ol style="list-style-type: none"> 1. Adjust idle speed screw clockwise to increase speed. 2. Adjust idle speed screw counterclockwise to reduce speed. 3. See "Carburetor Adjustments." 4. Contact your Service Dealer. 5. Contact your Service Dealer.
Engine will not accelerate, lacks power, or dies under a load.	<ol style="list-style-type: none"> 1. Air filter dirty. 2. Spark plug fouled. 3. Carburetor requires adjustment. 4. Carbon build-up. 5. Compression low. 	<ol style="list-style-type: none"> 1. Clean or replace air filter. 2. Clean or replace spark plug and regap. 3. See "Carburetor Adjustments." 4. Contact your Service Dealer. 5. Contact your Service Dealer.
Engine smokes excessively.	<ol style="list-style-type: none"> 1. Choke partially on. 2. Fuel mixture incorrect. 3. Air filter dirty. 4. Mixture screw requires adjustment. 	<ol style="list-style-type: none"> 1. Adjust choke. 2. Empty fuel tank and refill with correct fuel mixture. 3. Clean or replace air filter. 4. See "Carburetor Adjustments."
Engine runs hot.	<ol style="list-style-type: none"> 1. Fuel mixture incorrect. 2. Spark plug incorrect. 3. Mixture screw set too low. 4. Carbon build-up. 	<ol style="list-style-type: none"> 1. See "Fueling Your Unit." 2. Replace with correct spark plug. 3. See "Carburetor Adjustments." 4. Contact your Service Dealer.

ACCESSORIES

ITEM	STOCK NO.
Safety Glasses	952-701645
Safety Goggles	952-701586
WEED EATER 40:1, 2-Cycle Engine Oil	
3.2 oz. (95 ml) Container	952-030127
8 oz. (237 ml) Container	952-030128
Fuel Cap	952-701583
Air Filter	952-701623
Spark Plug	952-030077
Vacuum Attachment Kit (Model VA 1905)	952-701613
Gutter Attachment Kit (Model GA 1900)	952-701586
Spark Arrestor	530-069285



MANUAL IMPORTANTE

No Lo Descarte

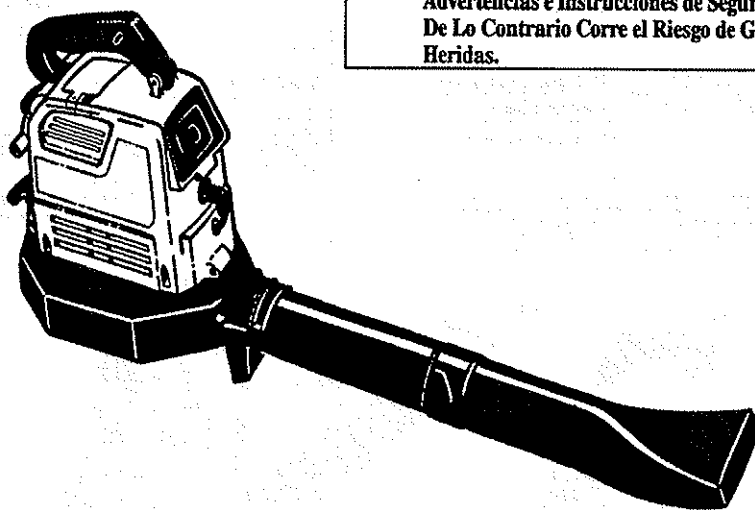
WEED EATER

® Trademark



ADVERTENCIA

Lea el Manual del Usuario y Siga Todas las Advertencias e Instrucciones de Seguridad. De Lo Contrario Corre el Riesgo de Graves Heridas.



MANUAL USUARIO

MODELO:

GBI 22V

(Propulsor/Aspirador de 22 cc)

GBI 30V

(Propulsor/Aspirador de 30 cc)



Use Siempre Protección de Ojos

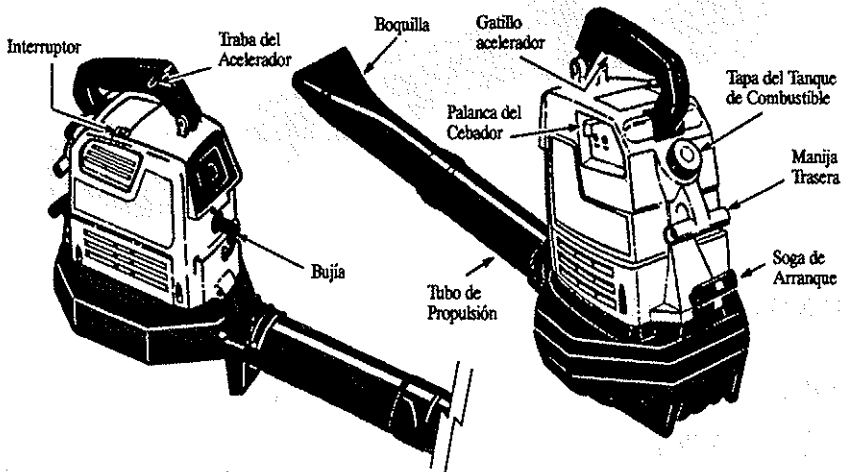
TABLA DE CONTENIDO

ADVERTENCIAS E INSTRUCCIONES DE SEGURIDAD	3	INSTRUCCIONES DE ARRANQUE	9
CONOZCA SU APARATO	4	MANTENIMIENTO GENERAL	10
MONTAJE	4	BUJIA	12
USO DEL APARATO	6	ACCESORIOS	13
USO-Abastecimiento del Motor	8	AYUDA AL CONSUMIDOR	Contratapa

ESPECIFICACIONES

TIPO DE MOTOR:	2 Tiempos Enfriado a Aire	TANQUE DE COMBUSTIBLE:	470 cc (16.5 fl. oz.)
CILINDRADA:	22cc— Modelo GBI 22V	SILENCIADOR:	Lo Tone
	30cc— Modelo GBI 30V	VELOCIDAD: (como propulsor)	248 kph (155 mph) Modelo GBI 22V 272 kph (170 mph) Modelo GBI 30V
REVOLUCIONES:	Marcha lenta—3800-4600— Ambos Modelos	VOLUMEN DE AIRE: (como propulsor)	10 m ³ /min. (350 cu. ft./min.) Modelo GBI 22V
	Ritmo de Trabajo—6400-7000 (GBI 22V) Ritmo de Trabajo—7400-8000 (GBI 30V)		10,29 m ³ /min. (360 cu. ft./min.) Modelo GBI 30V
ENCENDIDO:	Transistorizado	BUJIA:	Champion RCJ-8Y
REGULACION DE ENCENDIDO:	Fijo, no ajustable	SEPARACION DE LOS ELECTRODOS DE LA BUJIA:	0,63 mm (.025")
CARBURADOR:	Diafragma Omniposicional	SEPARACION DE AIRE DEL MODULO	0,25 mm-0,35 mm (.010"- .014")
INTERRUPTOR:	Interruptor Positivo	LUBRICACION:	Mezcla de Gasolina y Aceite—Vea "Abastecimiento del Motor"
ARRANQUE:	Rebobinaje Automático		

Fabricado bajo una o más de las siguientes patentes de los EE.UU.: 5,269,665; 5,211,144; 5,174,255; 5,035,586; 4,940,028; 4,846,123; 4,674,146; 4,474,327; 4,413,371; 4,404,706; 4,402,106; 4,387,852; 4,325,163; 4,286,675; Re. 33,050; D3349,983; D332,971; D304,510; D299,074; D266,355; D263,547.
Quedan pendientes otras patentes de los EE.UU. y otros países.



AVISO ESPECIAL

Para los usuarios en Tierras Forestadas Fiscales (U.S. Forest Land) y en algunos estados, entre ellos California (Códigos de Recursos Públicos—Public Resources Codes—4442 y 4443), Idaho, Maine, Minnesota, New Jersey, Oregon y Washington: Es obligatorio equipar ciertos motores de combustión interna operados en tierras con bosques, matorrales y/o pasto en las áreas mencionadas con rejilla antichispas mantenida en perfecto estado de funcionamiento. De no tener rejilla antichispas, el motor deberá estar elaborado, equipado y mantenido para la prevención de incendios. Infórmese con las autoridades locales o estatales sobre los reglamentos que existen al respecto. El no cumplir con estos requisitos anti-incendio es una violación de la ley. Este aparato no está equipado de fábrica con rejilla antichispas. Sin embargo, se puede conseguir la rejilla antichispas como pieza optativa. Si en su zona la rejilla antichispas es obligatoria, entre en contacto con un Proveedor de Servicio Autorizado (Authorized Service Dealer) para obtener el juego correspondiente. Es obligatorio instalar la rejilla antichispas, los tubos de propulsión y las boquillas en el aparato para estar en completo cumplimiento con el reglamento.

▲ ADVERTENCIAS E INSTRUCCIONES DE SEGURIDAD

Si no sigue todas las Reglas y Precauciones de Seguridad, corre el riesgo de graves heridas

CONOZCA SU APARATO

- Lea con atención el Manual del Usuario hasta que haya comprendido completamente todas las advertencias e instrucciones de seguridad y que la pueda poner en práctica, antes de poner en marcha el aparato.
- Limite el uso del aparato a aquellas personas que hayan comprendido todas las advertencias e instrucciones de seguridad en este manual y que las pongan en práctica.

PIENSE ANTES DE PROCEDER

- Use siempre protección de ojos al hacer uso, servicio o mantenimiento del aparato. El uso de protección de ojos ayudará en la prevención de ceguera y/o graves heridas provocadas por piedras o escombros arrojados que den o reboten en los ojos y la cara.
- Use siempre máscara de filtración o de protección al trabajar con el aparato en ambientes polvorientos.
- Vístase seguro con pantalones largos. No use el aparato descalzo ni con sandalias ni pantalones cortos. La ropa suelta, las joyas y la ropa con tiras, corbatas, borlas, etc. que cuelguen sueltas pueden enredarse en las piezas en movimiento.
- No use el aparato cuando está cansado, enfermo, ansioso o bajo la influencia del alcohol, drogas o remedios.
- Mantenga a los niños, espectadores y animales alejados a una distancia mínima de 10 metros (30 pies) del área de trabajo al poner en marcha y al usar el aparato.
- Inspeccione el área antes de poner el aparato en marcha. Retire todos los escombros y objetos duros como piedras, vidrio, alambre, etc. que puedan rebotar, ser arrojados o de cualquier otro modo provocar heridas o daños durante el uso.

TENGA SUMO CUIDADO CON EL COMBUSTIBLE

- Elimine todas las fuentes de chispas y llamas (entre ellas los cigarrillos, cigarras, etc.), las llamas descubiertas y cualquier actividad que genere chispas) en el lugar donde se mezcla, vierte y guarda el combustible.
- Mezcle y vierta el combustible afuera; guárdelo en un lugar fresco, seco y bien ventilado; use un recipiente aprobado y rotulado en todo trabajo que involucre combustible.
- No fume al trabajar con combustible ni al usar el aparato.
- No abastezca el tanque de combustible con el motor en marcha.
- Limpie todo el combustible volcado antes de poner el motor en marcha.
- Alejese a una distancia mínima de 3 metros (10 pies) del combustible y del lugar de abastecimiento antes de poner el motor en marcha.

USE EL APARATO DE FORMA SEGURA

- Pare el motor antes de abrir la compuerta de la entrada de aspiración. El motor debe estar parado y las cuchillas de la hélice completamente detenidas para evitar graves heridas provocadas por las cuchillas girantes.
- Inspeccione el aparato íntegramente antes de cada uso para detectar piezas gastadas, sueltas o dañadas y piezas que falten. No use el aparato sin tenerlo en perfectas condiciones de funcionamiento.
- Mantenga las superficies externas libres de aceite y combustible.
- Nunca ponga el motor en marcha dentro de un cuarto o un edificio cerrado. Respirar vapores de escape puede matarlo.
- Para evitar choque por electricidad estática, no use guantes de goma ni ningún otro guante aislado al usar el aparato.
- Si el motor está en marcha, apoye el aparato únicamente en superficies limpias y firmes. El aparato podría succionar escombros tales como pedregullo, arena, tierra, césped, etc. por la abertura de entrada y arrojarlos violentamente por la abertura de propulsión, dañando el aparato y otros bienes o causando graves heridas a los espectadores o al usuario.

- Evite los ambientes peligrosos. No use el aparato en lugares no ventilados o donde pueda haber monóxido de carbono o vapores explosivos acumulados.
- No se incline excesivamente ni use el aparato con los pies en una superficie inestable como escaleras portátiles, árboles, declives acentuados, techos, etc. Mantenga el equilibrio y los pies en una superficie firme y estable en todo momento.
- Nunca coloque objetos dentro de los tubos de propulsión; propulsione los escombros siempre en dirección contraria a donde se encuentren personas, animales, vidrio y objetos sólidos tales como los árboles, los automóviles, las paredes, etc. La fuerza del aire puede arrojar o hacer rebotar piedras, tierra o palos que pueden herir a las personas o los animales, romper vidrio o causar otros daños.
- Nunca ponga el motor en marcha sin haber instalado el equipo apropiado. Al usar el aparato como propulsor, instale siempre los tubos de propulsión. Al usarlo como aspirador, instale siempre los tubos de aspiración y el juego de bolsa de aspiración. Asegúrese de que el cierre de la bolsa esté completamente cerrado como se ve en la Figura 4.
- Inspeccione la abertura de entrada de aire, los tubos de propulsión, los tubos de aspiración y el tubo en "T" frecuentemente, siempre con el motor parado y la bujía desconectada. Mantenga las aberturas de ventilación y los tubos de descarga libres de escombros que se puedan acumular e impedir el flujo correcto de aire.
- Nunca coloque ningún objeto en la abertura de entrada de aire ya que hacerlo podría impedir el flujo correcto de aire y dañar el aparato.
- Nunca use el aparato para esparcir sustancias químicas, fertilizantes ni ninguna otra sustancia que pueda contener materiales tóxicos.
- Para evitar la propagación de fuego, no use el aparato cerca de las hogueras de hojas o matorrales, las parrillas, los ceniceros, etc.
- Use el aparato exclusivamente para los fines explicados en este manual.

MANTENGA DEBIDAMENTE EL APARATO

- Todo mantenimiento, con excepción de los procedimientos recomendados en el Manual del Usuario deberá ser efectuado por el Proveedor de Servicio.
- Desconecte la bujía antes de hacer cualquier mantenimiento menos el ajuste del carburador.
- Use exclusivamente los repuestos recomendados; el uso de cualquier otro repuesto podría invalidar la garantía y dañar el aparato.
- Inspeccione frecuentemente las aberturas de entrada de aire y los tubos de propulsión, siempre con el motor parado. Mantenga las aberturas de ventilación y los tubos libres de escombros que se puedan acumular e impedir el flujo correcto de aire.
- Vacíe el tanque de combustible antes de guardar el aparato. Consuma todo el combustible que queda en el carburador poniendo el motor en marcha y dejándolo en marcha hasta que pare solo.
- No use ningún accesorio ni juego de piezas optativo fuera de los recomendados por el fabricante para uso con su aparato.
- No guarde ni el aparato ni el combustible en un lugar cerrado donde los vapores del combustible puedan alcanzar chispas o flammes descubiertas de los termostatos, los motores e interruptores eléctricos, los calefactores centrales, etc.
- Guarde el aparato en un lugar seco fuera del alcance de los niños.

Si acontecen situaciones no previstas en este manual, tenga cuidado y use de buen criterio. Si necesita ayuda, llame al Proveedor de Servicio Autorizado (Authorized Service Dealer) o a nuestro TELEFONO DE EMERGENCIA DE AYUDA AL CONSUMIDOR al 1-800-554-6723.

AVISO DE SEGURIDAD

La exposición a las vibraciones mediante el uso prolongado de herramientas de fuerza de mano a gasolina puede causar daños a los vasos sanguíneos o a los nervios en los dedos, las manos y las coyunturas de las personas propensas a los trastornos de la circulación o a las hinchazones anormales. El uso prolongado en tiempo frío ha sido relacionado con daños en los vasos sanguíneos de personas que por lo demás gozan de perfecta salud. Si se presentan síntomas como entumecimiento, dolor, debilidad, cambio de color o textura de la piel o falta de sentido en los dedos, las manos o las coyunturas, deje de usar esta herramienta y procure atención médica. Los sistemas anti-vibratorios no garantizan que se eviten estos problemas. Los usuarios que usan herramientas de fuerza de modo habitual y continuo deben fiscalizar atentamente su condición física y las condiciones del aparato.

CONOZCA SU APARATO

INTRODUCCION

Este propulsor es un producto de alto rendimiento diseñado para trabajos duros.

Entre las Características Especiales se encuentran:

- Manija superior para uso con una mano.
- Manija Anti-Vibraciones.
- Peso-5 kg 500 (12 lbs.)
- Cómodo almacenamiento vertical.
- Manija Auxiliar Trasera para mayor versatilidad.
- Juego para Limpieza de Canaletas optativo.
- Función de aspirador incluida.

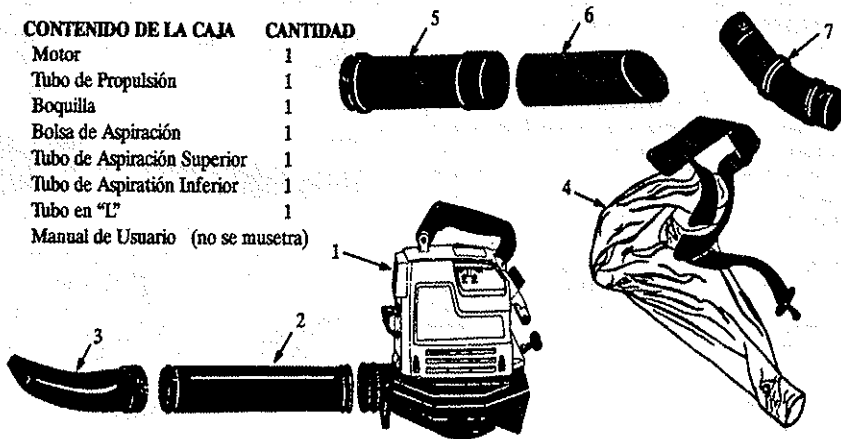
INSTRUCCIONES PARA EL DESEMBALAJE

- Retire el contenido de la caja si no lo ha hecho.
- Verifique que todas las piezas de la lista "Contenido de la Caja" hayan sido incluidas.
- Examine las piezas para verificar que no estén dañadas. No use piezas dañadas.
- Notifique de inmediato al Proveedor de Service si falta alguna pieza o si hay alguna pieza dañada.

AVISO: Es normal que se escuche golpetear el filtro de combustible en el tanque de combustible vacío.

AVISO: El funcionamiento del aparato ha sido comprobado en la fábrica y el carburador ha sido ajustado con precisión. Por lo tanto es posible detectar un olor a gasolina o encontrar una gota de residuo de mezcla en el silenciador.

Nº DE PIEZA	CONTENIDO DE LA CAJA	CANTIDAD
1.	Motor	1
2.	Tubo de Propulsión	1
3.	Boquilla	1
4.	Bolsa de Aspiración	1
5.	Tubo de Aspiración Superior	1
6.	Tubo de Aspiración Inferior	1
7.	Tubo en "L"	1
8.	Manual de Usuario (no se muestra)	



MONTAJE

PREPARACION

● El Manual del Usuario fue desarrollado para ayudarle a armar el aparato y comprender su uso seguro. Es importante que lea el manual en su totalidad para familiarizarse con el aparato *antes* 1-800-554-6723.

- LEA EL (LOS) MANUAL(ES) DEL USUARIO.
- No se necesitan herramientas para armar el aparato.

AVISO: Para facilitar el montaje, lubrique las lengüetas de retención antes de instalar los tubos.

INSTALACION DE LOS TUBOS DE PROPULSION

- Ubique las dos lengüetas de retención al costado del tubo de propulsión. Figura 1.
- Alinee las ranuras de retención en la boquilla con las lengüetas de retención en el tubo de propulsión y junte a presión la boquilla al tubo de propulsión.
- Gire la boquilla hacia la derecha (en el sentido del reloj) hasta que las piezas se fijen en posición.

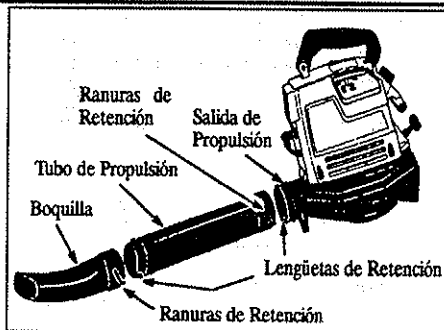


Figura 1

- Alinee las ranuras de retención en el tubo de propulsión con las lengüetas de retención en la salida de propulsión y junte las dos piezas a presión. Figura 1.
- Gire el tubo hacia la derecha (en el sentido del reloj) hasta que las piezas se fijen en posición.

INSTALACION DE LA BOLSA DE ASPIRACION

- Abra el cierre de la punta grande de la bolsa de aspiración.

AVISO: Debe introducirse la punta del Tubo en "L" con las ranuras embutidas por la abertura para el tubo de la bolsa. Vea la Figura 2.

- Pase el Tubo en "L" por la abertura del cierre en la bolsa de aspiración (Figura 3). Luego empuje la punta del Tubo en "L" con las ranuras embutidas por la abertura para el tubo, en la otra punta de la bolsa. Figura 3. Asegúrese de que la abertura para el tubo en la bolsa quede al ras del reborde del tubo. Figura 2.

- Cierre el cierre de la bolsa. Asegúrese de que el cierre esté completamente cerrado y que la costura del cierre esté metida hacia adentro de la bolsa. Figura 4 (inserción).

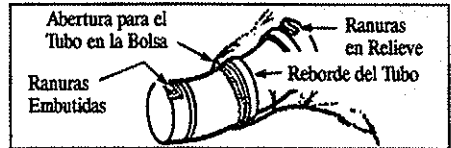


Figura 2

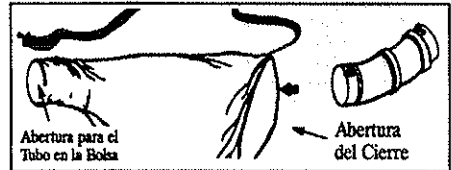


Figura 3

INSTALACION DE LOS TUBOS DE ASPIRACION

⚠ ADVERTENCIA

Pare el motor antes de abrir la compuerta de entrada de aspiración o de intentar instalar o sacar los tubos de aspiración. El motor debe estar parado y las cuchillas de la hélice completamente detenidas para evitar graves heridas provocadas por las cuchillas girantes.

- Retire el tubo de propulsión del motor. Figura 4.
- Coloque el aparato, con la abertura de propulsión hacia arriba, en una superficie plana (Figura 5). Abra la compuerta de la entrada de aspiración de la forma siguiente:
 - Introduzca un destornillador en el área del cerrojo. Figura 5.
 - Gire suavemente la punta del destornillador y abra la compuerta de la entrada de aspiración con la otra mano.

AVISO: Para facilitar la instalación, lubrique las lengüetas de retención antes de juntar los tubos al aparato.

- Mantenga abierta la compuerta de la entrada de aspiración y alinee las ranuras en el tubo de aspiración superior con las lengüetas de retención dentro de la abertura de aspiración. Figura 6. Introduzca el tubo de aspiración superior hacia la derecha (en el sentido del reloj) hasta que las piezas se fijen en posición.
- Junte los tubos de aspiración alineando la punta cortada en ángulo del tubo de aspiración inferior no entre más en el tubo de aspiración superior, es decir, unos 7,5 cm (3"). Figura 6.

AVISO: Observe que la punta inferior del tubo de aspiración inferior está cortada en ángulo. Asegúrese de que la punta en ángulo esté alineada con la salida de propulsión como se ve en la Figura 6.

- Alinee las ranuras en el tubo en "L" con las lengüetas de retención dentro de la salida de propulsión. Figura 7 (inserción). Para conseguir el alineamiento correcto, asegúrese de que el tubo en "L" esté curvado hacia la derecha como se muestra en la Figura 7. Introduzca el tubo en "L" en la salida de propulsión. Gire el tubo en "L" hacia la izquierda (en contra del sentido del reloj) hasta que las piezas se fijen en posición.

- Ajuste la bolsa de aspiración hasta que la correa de hombro quede alineada con la manija superior. Figura 8.

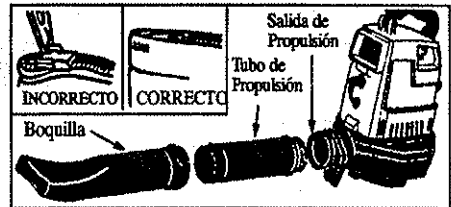


Figura 4

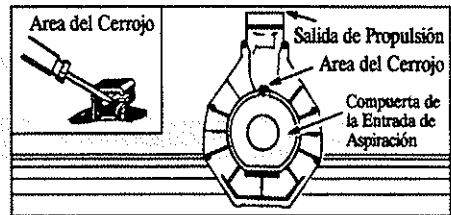


Figura 5

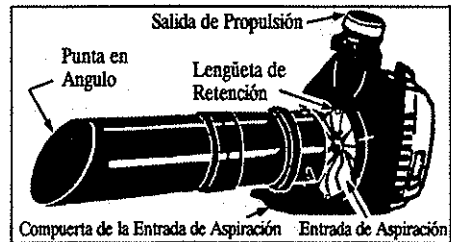


Figura 6

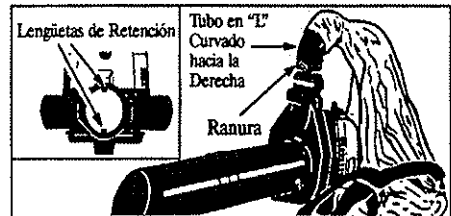


Figura 7

AJUSTE DE LA CORREA DE HOMBRO

- Con la mano izquierda sostenga el aparato en posición vertical, apoyando el tubo de aspiración inferior en el suelo. Figura 8. Asegúrese de que la salida de propulsión y la bolsa de aspiración estén de su lado derecho. Figura 8.
- Coloque la correa de la bolsa sobre el hombro izquierdo y acople el gancho de la correa al aro en la manija superior. Figura 8 (inserción).
- Extienda el brazo derecho hacia la parte posterior de la bolsa de aspiración. Figura 8.
- Ajuste la correa de hombro hasta que la costura entre la bolsa de aspiración y la correa quede entre el pulgar y el índice. Figura 8.
- Asegúrese de que la Correa de Hombro quede ajustada de modo que haya flujo libre de aire proveniente del tubo en "L". Vea la Figura 8. Si la bolsa queda plegada, el aparato no funcionará debidamente.

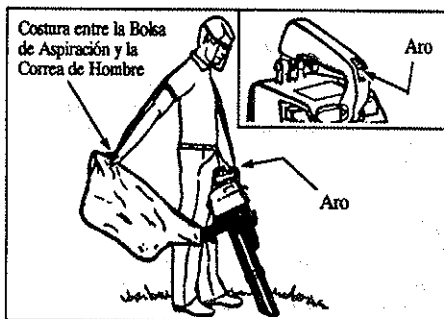


Figura 8

RECONFIGURACION COMO PROPULSOR

- Pare el motor
- Retire los tubos de aspiración, la bolsa de aspiración y piezas afines.
- Cierre y fije la compuerta de la entrada de aspiración.

Asegúrese de que el cerrojo de la compuerta esté bien fijo.

- Vuelva a instalar los tubos de propulsión como se ve en la sección "Instalación de los Tubos de Propulsión".

USO DEL APARATO

SEGURIDAD DEL USUARIO

⚠ ADVERTENCIA

No instale ni remueva el tubo de aspiración con el motor en marcha. De lo contrario corre riesgo de graves heridas. Siempre pare el motor y desconecte la bujía antes de sacar obstrucciones del aparato o de hacer cualquier mantenimiento a la bolsa de aspiración.

Como propulsor, el aparato ha sido diseñado para barrer escombros, césped, paja, hojas, tallos secos o pequeñas acumulaciones de nieve. Se lo puede usar también para secar rápidamente áreas exteriores mojadas como por ejemplo patios, aceras, entradas de automóvil, etc. Nunca use el aparato para esparcir ni atomizar sustancias químicas ni fertilizantes ni ningún otro material que pueda contener sustancias tóxicas. Como aspirador, el aparato ha sido diseñado para levantar material seco como por ejemplo hojas, césped, tallos secos, y pedazos pequeños de papel. *Ni intente aspirar piedras, pedregullo, objetos de metal, vidrio roto ni ningún otro escombros que podría dañar la hélice. Ni intente aspirar agua ni ningún otro líquido.* Cuando se aspira agua u otros líquidos el motor queda dañado. Evite las situaciones en que la bolsa de aspiración se podría incendiar. No use el aparato cerca de las llamas descubiertas. No aspire cigarras ni cigarrillos descartados ni ceniza de los hogares a leña, las parrillas, las pilas de matorrales, etc.

- Lea el Manual del Usuario. Asegúrese de que comprenda perfectamente y que pueda poner en práctica todas las advertencias e instrucciones de seguridad en el manual antes de poner en marcha el aparato.
- Use siempre protección de ojos para evitar la ceguera u otras heridas graves que puedan resultar de las piedras o los escombros que el aparato arroje o haga rebotar en los ojos y la cara.
- Use siempre máscara de filtración o de protección al trabajar en ambientes polvorientos.
- Inspeccione el aparato antes de cada uso. Verifique que no haya piezas gastadas, sueltas o dañadas y que no falten piezas. No use el aparato hasta que haya quedando en perfectas condiciones de funcionamiento.
- Vístase de forma segura con pantalones largos. No use el aparato descalzo ni con sandalias o pantalones cortos. La ropa

suelta, las joyas y la ropa con tiras, corbatas, borlas, etc. que cuelguen sueltas se pueden enredar en la piezas en movimiento.

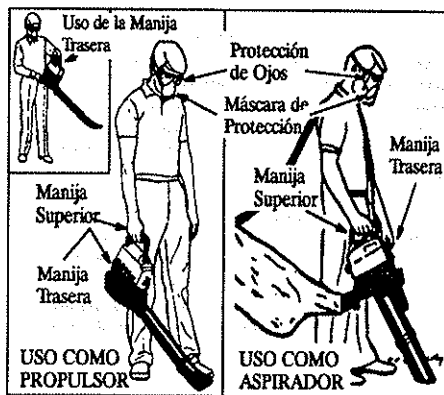


Figura 9

- Inspeccione toda el área antes de poner el motor en marcha. Retire todos los escombros y objetos como piedras, vidrio, alambre, palos grandes, etc. que puedan causar daños durante el uso.
- Mantenga a los niños, los espectadores y los animales a una distancia segura. Antes de poner el motor en marcha y durante el uso del aparato, asegúrese de que las personas y los animales estén a una distancia mínima de 10 metros (30 pies) del área de trabajo.
- Para evitar el choque de electricidad estática, no use guantes de goma ni ningún otro tipo de guante aislado mientras trabaje con esta máquina.
- Nunca haga funcionar el aparato sin haber instalado el equipo apropiado. Al usar el aparato como propulsor, instale siempre los tubos de propulsión. Al usar el aparato como aspirador, instale siempre los tubos y la bolsa de aspiración. Asegúrese de que el cierre de la bolsa de aspiración esté completamente cerrado como se ve en la Figura 4.

- Inspeccione la abertura de entrada de aire, los tubos de propulsión, los tubos de aspiración y el tubo en "U" frecuentemente, siempre con el motor parado y la bujía desconectada. Mantenga las aberturas de ventilación y los tubos de descarga libres de escombros que se puedan acumular e impedir el flujo de aire correcto.
- Nunca coloque objetos dentro de los tubos de propulsión; propulse los escombros siempre en dirección contraria a donde se encuentren personas, animales, vidrio y objetos sólidos tales como los árboles, los automóviles, las paredes,

etc. La fuerza del aire puede arrojar o hacer rebotar piedras, tierra o palos y herir a personas o animales, romper vidrio o causar otros daños.

- Use la posición correcta de uso. Figura 9. No se extienda ni se incline excesivamente, ni use el aparato con los pies en una superficie inestable como escaleras portátiles, árboles, declives acentuados, techos, etc. Mantenga el equilibrio, con los pies en una superficie firme y estable, en todo momento.
- Al usar el aparato como aspirador, use siempre la correa de la bolsa para no perder el control del aparato.

SUGERENCIAS DE USO—PROPULSOR

▲ ADVERTENCIA

No use el aparato como propulsor sin haber instalado correctamente los tubos de propulsión, para evitar el contacto con las cachillas de la hélice, que pueden causar graves heridas.

- Trabaje siempre de espaldas a los objetos sólidos como las paredes, las piedras grandes, los automóviles y las cercas.
- Limpie los rincones empezando por el rincón y procediendo hacia afuera, hacia las áreas rectas para evitar la acumulación de escombros que el aparato le podría arrojar en la cara.
- Tenga cuidado al trabajar cerca de las plantas. La fuerza del aire podría dañar las plantas delicadas.
- Controle la dirección del aire apuntando la boquilla hacia abajo o hacia el costado.
- Varie el flujo de aire ajustando la presión de la mano en el gatillo acelerador.

▲ ADVERTENCIA

Use siempre protección de ojos para evitar la ceguera u otras heridas graves provocadas por las piedras o escombros que el aparato arroje o haga rebotar en la cara y los ojos.

- Use manija trasera ubicada en la parte posterior del aparato siempre que trabaje por encima del nivel de la cintura o cuando se desee sostener el aparato con las dos manos.
- Uses para el Propulsor:
 - Para barrer escombros o césped cortado de las entradas de automóvil, aceras, patios, parques, playas de estacionamiento, graneros, estadios, etc.
 - Para juntar césped cortado, paja u hojas en pilas.
 - Para secar rápidamente espacios exteriores mojados como por ejemplo un patio.
 - Para sacar escombros de los rincones, alrededor de coyunturas y entre ladrillos.
 - Para sacar pequeñas acumulaciones de nieve de las entradas de automóvil, aceras o patios.

SUGERENCIAS PARA EL USO—ASPIRADOR

▲ ADVERTENCIA

No use el aparato como aspirador sin haber instalado debidamente los tubos y la bolsa de aspiración, para evitar que el aparato arroje escombros y para evitar todo contacto con la hélice, que puede causar graves heridas. Asegúrese siempre de que el cierre de la bolsa de aspiración esté completamente cerrado antes de poner el motor en marcha.

- Al usar el aparato como aspirador, se obtienen los mejores resultados con el acelerador a fondo. Se puede facilitar el trabajo accionando la traba del acelerador antes de empezar a aspirar.
- Pase lentamente el aparato de un lado para el otro sobre el material que se está aspirando. No meta el tubo dentro de las pilas de escombros ya que este procedimiento puede obstruir el aparato.

- El aspirador es capaz de levantar objetos demasiado grandes para pasar por la hélice. Tales objetos caerán de los tubos en cuanto se pare el motor.
- Si el aparato queda obstruido:
 - Pare el motor y desconecte el cable de la bujía. *No intente retirar las obstrucciones con el motor en marcha.*
 - Espere a que la hélice se haya detenido por completo, luego saque el tubo de aspiración.
 - Meta la mano cuidadosamente en la abertura de aspiración y saque los escombros.
- Es imprescindible vaciar y mantener la bolsa de aspiración debidamente para evitar la deterioración y la obstrucción del flujo de aire, que reducen el rendimiento del aspirador.
 - Retire la bolsa del aparato y vacíela después de cada uso. No la guarde con hojas, césped, etc., adentro.
 - Lave la bolsa una vez por año de la siguiente forma:
 - Invierta la bolsa de adentro para afuera.
 - Cuélguela.
 - Mójela íntegramente con una manguera.
 - Deje la bolsa colgada hasta que se seque.



USO DEL APARATO -- Abastecimiento del Motor

ANTES DE ABASTECER EL MOTOR:



ADVERTENCIA

LEA CON MUCHISIMA ATENCION LA INFORMACION SOBRE EL COMBUSTIBLE EN LAS ADVERTENCIAS E INSTRUCCIONES DE SEGURIDAD ANTES DE EMPEZAR.

SI NO COMPRENDE LAS REGLAS DE SEGURIDAD, NO INTENTE ABASTECER EL APARATO; LLAME AL TELEFONO DE EMERGENCIA DE AYUDA AL CONSUMIDOR AL 1-800-554-6723.

GASOLINA

El motor de dos tiempos en este aparato requiere una mezcla de gasolina común sin plomo con aceite para motores de alta calidad con el fin de lubricar los cojinetes y otras piezas móviles. La proporción correcta de combustible a aceite es de 40:1 (vea el Cuadro de Mezcla de Combustible). Una insuficiencia de aceite o el tipo incorrecto de aceite provocarán bajo rendimiento y podrían hacer que el motor se caliente excesivamente y se fuede.

La mezcla de gasolina y aceite debe efectuarse previamente en un recipiente limpio y aprobado para la gasolina. Use siempre gasolina común sin plomo, fresca.

Este motor está certificado para funcionar con gasolina sin plomo.

ACEITE PARA MOTORES DE 2 TIEMPOS ENFRIADOS A AIRE:

Se recomienda el uso de aceite WEED EATER 40:1 para motores de 2 tiempos. *El aceite WEED EATER está especialmente elaborado con estabilizadores de combustible y con aditivos de humo reducido.*

- Los estabilizadores de combustible protegen el combustible de la oxidación y de la formación de goma y de barniz.
- Bajo condiciones normales, la gasolina común sin plomo se mantiene fresca por 30 a 60 días después de salir de la refinería.
- El aceite WEED EATER 40:1 para motores de 2 tiempos con estabilizadores de combustible, extiende la vida del combustible hasta 5 veces.

Si falta aceite WEED EATER 40:1 para motores de 2 tiempos, use un aceite de alta calidad para motores de 2 tiempos, formulado para motores ENFRIADOS A AIRE y recomendado para mezclas de combustible de 40:1.

¡IMPORTANTE! No use:

- ACEITE PARA AUTOMOVILES
- ACEITE PARA BARCOS (NMMA, BIA, etc.)

Estos aceites no tienen los aditivos necesarios para motores de 2 tiempos ENFRIADOS A AIRE y por consiguiente pueden dañar el motor.

MEZCLA DE GASOLINA Y ACEITE

Mezcla la gasolina con el aceite de la siguiente forma:

- Refiérase al Cuadro de Mezcla de Combustible para determinar la mezcla correcta.
- No mezcle la gasolina con el aceite directamente en el tanque del motor.

PARA UN GALON DE MEZCLA:

- Vierta 3,2 onzas de aceite de alta calidad para motores de 2 tiempos en un recipiente vacío, aprobado para la gasolina.
- Añada un galón de gasolina común sin plomo al recipiente y fije muy bien la tapa. Sacuda el recipiente por unos instantes para asegurar que el aceite esté completamente mezclado. El combustible está listo para ser usado.

CUADRO DE MEZCLA DE COMBUSTIBLE

Proporción de Mezcla de Gasolina a Aceite de 40:1

Gasolina	Aceite (ml.)
3,8 l (1 gal. US)	95 ml (3,2 fl. oz.)
4,7 l (1,25 gal. US)	118 ml (4,0 fl. oz.)
9,5 l (2,5 gal. US)	237 ml (8,0 fl. oz.)

AVISO: Los recipientes para gasolina de un galón tienen capacidad para más de un galón. Si se pone más de un galón al recipiente, la mezcla de gasolina con aceite resultará incorrecta para el buen funcionamiento del motor.

INSTRUCCIONES DE ARRANQUE

- **Para Parar el Motor:**
 - Para parar el motor, coloque el interruptor en la posición "OFF". Figura 10.
- **Antes de Poner el Motor en Marcha:**
 - Abastezca el motor. Apártese a por lo menos 3 metros (10 pies) del lugar de abastecimiento.
 - Sostenga el aparato en la posición de arranque ilustrada en la Figura 11. Asegúrese de que la boquilla de propulsión no esté direccionada hacia personas, animales, vidrio y objetos sólidos.

▲ ADVERTENCIA

Al arrancar el motor, sostenga el aparato como se ilustra en la Figura 11. Apoye el aparato exclusivamente en una superficie limpia y dura siempre que vaya a efectuar el arranque y siempre que tenga que apoyar el aparato con el motor en marcha. Los escombros tales como el pedregullo, la arena, la tierra, el césped, etc., pueden ser succionados por la entrada de aire y arrojados por la abertura de propulsión, dañando el aparato u otros bienes o causando graves heridas a los espectadores o al usuario.

- **Para arrancar con motor frío o motor caliente** después de quedar sin combustible.
 - Coloque el interruptor en la posición "ON". Figura 10.
 - Coloque el cebador en posición "FULL". Figura 10.
 - Agarre la manija y aprete el gatillo acelerador a fondo. Mantenga el gatillo acelerador apretado hasta que el motor se caliente.
 - Dé tirones bruscos a la soga de arranque hasta que el motor trate de arrancar, pero no más de 8 tirones con el cebador en "FULL". Suele ser difícil oír las tentativas de arranque del motor. El usuario deberá escuchar atentamente. Después de 8 tirones, prosiga al paso siguiente aun si no hubo tentativas de arranque por parte del motor.
- Cambie el cebador a la posición "HALF". Figura 10.
- Dé tirones bruscos a la soga hasta que el motor arranque, pero no más de 5 veces.

AVISO: Si el motor no arranca después de 5 tirones, repita todos los pasos anteriores.

- Deje que el motor marche de 10 a 15 segundos, luego coloque el cebador en "OFF". Figura 10.
- Suelte el gatillo interruptor.

AVISO: Si el motor se detiene con el cebador en la posición "OFF", colóquelo en la posición "HALF" y tire la soga otras 5 veces. Si el motor no arranca ni funciona debidamente, consulte los "Ajustes al Carburador".

- Para parar el motor, coloque el interruptor en la posición "Off". Figura 10.

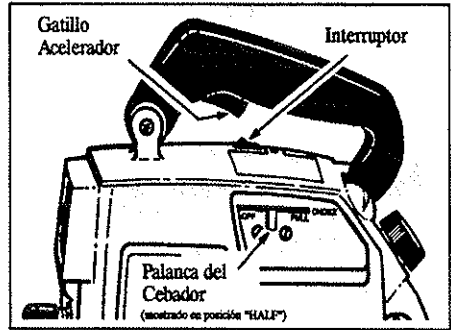


Figura 10



Figura 11

- **Arranque con el motor caliente:**
 - Coloque el interruptor en la posición "ON". Figura 10.
 - Coloque el cebador en la posición "HALF". Figura 10.
 - Agarre la manija; aprete el gatillo acelerador a fondo y manténgalo apretado hasta que arranque el motor.
 - Tire bruscamente la soga de arranque hasta que el motor arranque, pero no más de 5 tirones.
 - Coloque el cebador a la posición "OFF". Figura 10. Luego, suelte el gatillo acelerador.
- **AVISO:** Si el motor no arranca después de 5 tirones, es probable que esté ahogado. Espere varios minutos y repita el procedimiento con el cebador en la posición "OFF".
- Para parar el motor, coloque el interruptor en la posición "OFF". Figura 10.



MANTENIMIENTO GENERAL

FILTRO DE AIRE

Los filtros de aire sucios disminuyen el rendimiento del motor e incrementan el consumo de combustible y las emisiones nocivas.

Limpie el filtro de aire:

- Frecuentemente,
- Siempre después de 5 tanques de combustible o 5 horas de uso, lo que ocurra primero.

Siga estos pasos:

- Coloque la palanca del cebador en "FULL". Figura 10.
- Saque el tornillo de la tapa del filtro de aire, en la parte superior del aparato (debajo de la manija).
- Saque la tapa del filtro de aire y el filtro.
- Lave el filtro de aire con agua y jabón.

CUIDADO: No limpie el filtro con gasolina ni ningún otro solvente inflamable, para evitar el peligro de incendio y la producción de emisiones evaporativas dañinas.

- Escurre el filtro apretándolo, hasta que quede seco.
- Ponga 4 o 5 gotas de aceite al filtro.

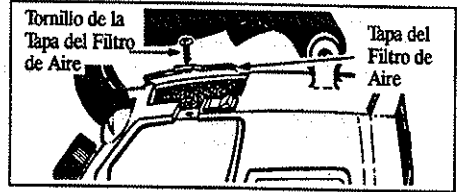


Figura 12

AVISO: Evite empapar del filtro con aceite.

- Apriete el filtro para distribuir el aceite.
- Instale nuevamente la tapa y el filtro de aire. Coloque nuevamente la palanca del cebador en "OFF". Figura 10.

CUIDADO: Los postes en la tapa del filtro de aire deben pasar por los orificios correspondientes en el filtro de aire. Al instalar la tapa con el filtro, asegúrese de no enganchar el filtro en el tornillo de la palanca del cebador.

AVISO: Si está reemplazando el filtro de aire, consulte la lista de Accesorios para obtener el número de repuesto correspondiente.

TANQUE DE COMBUSTIBLE

Nunca use gasolina que se ha comprado con más de 2 meses de antelación al uso. La gasolina empieza a descomponerse después de un período muy reducido de tiempo, formando compuestos que dificultan el arranque y causan daños en los motores de 2 tiempos. Si usa mezcla de combustible o gasolina con más de 2 meses, el arranque del motor se tornará difícil o imposible.

- Inspeccione el aparato para verificar que no haya pérdida de combustible antes de cada uso. Repare o cambie piezas según la necesidad.
- Vuélque todo el combustible del aparato o deje el aparato en marcha hasta que quede sin combustible antes de guardarlo.

SOGA DE ARRANQUE

Cambie la sogá de arranque si está gastada o quebrada.

AVISO: Si la sogá no está quebrada, corte la sogá y deje que la sogá se rebobine en la polea.

ADVERTENCIA

No saque la Polea al cambiar la sogá de arranque. Use siempre protección de ojos al trabajar con la sogá. El resorte de retorno, ubicado debajo de la polea, está bajo tensión. Si llega a saltar, puede causar graves heridas.

Para reparar o reemplazar:

- Desconecte el cable de la bujía.
- Abra la tapa de la entrada de aire. Saque la tuerca de la hélice y las juntas mientras sujeta la hélice. Figura 13.
- Saque los 4 tornillos de la caja de la hélice y los 2 tornillos de la caja del motor. Figura 14. Retire la caja de la hélice de la caja del motor.
- Retire los 5 tornillos de la caja de la polea. Figura 15. Luego separe suavemente la caja del motor y retire la caja de la polea, con la polea, del motor.
- Retire el tornillo retentor en la polea (Figura 16) y saque los pedazos quebrados de sogá, si hay.
- Agarre la catraca de la polea y enrosque la polea hacia la derecha (en el sentido del reloj) hasta que la polea se detenga. Luego, desenrosque lentamente la polea hacia la izquierda (en contra del sentido del reloj) hasta que la mella en la polea está alineada con la mella en la caja de la polea. Figura 16. Introduzca la llave hexagonal en el orificio formado por ambas mellas. Figura 16.

AVISO: Si está instalando una sogá nueva, prosiga con el paso 7. Si está reinstalando una sogá usada, adelántese al paso 10.

Aléjese del tanque de combustible y derrita las puntas de la sogá.

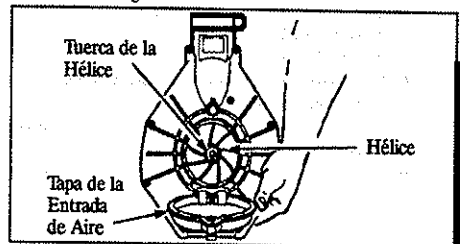


Figura 13

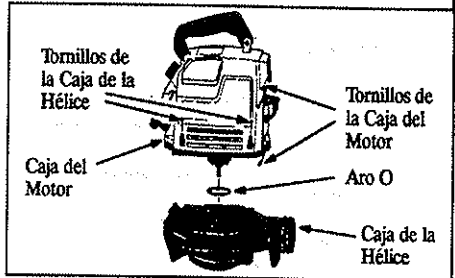


Figura 14

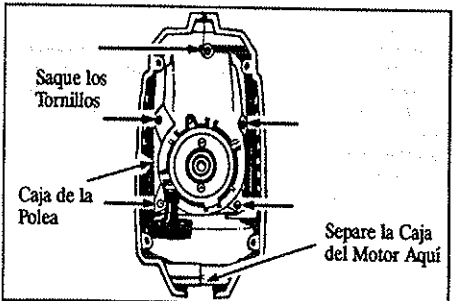


Figura 15

- Deje que cada punta derretida gotee una vez; entonces, mientras la soga aún está caliente, pase cada punta derretida por un trapo limpio para obtener una punta lisa y puntiaguda.
- Introduzca una punta de la soga por la manija y fijela con un nudo. Deje un rabo de 5 mm ($3/16$ ") detrás del nudo. Figura 17 (inserción)
- Pase la otra punta de la soga por la arandela de metal y luego por abajo de la Guía. Figura 17.
- Pase la soga dentro de la polea, luego por el Orificio de la Polea. Figura 16.
- Enrosque la soga hacia la izquierda (en contra del sentido del reloj) alrededor de la catraca de la polea y meta la punta suelta debajo de la soga, dejando un rabo de 25 mm (1") al lado de la Arista de Retención. Figura 18.

AVISO: En el paso 13, no ajuste el Tornillo de Retención excesivamente. El ajuste excesivo puede hacer que se estropee la rosca del poste del tornillo. Ajuste el tornillo hasta que la superficie inferior de la junta o (1) esté bien al ras contra la soga (2) toque la parte superior del poste del tornillo.

- Instale y ajuste el Tornillo de Retención y la Junta. Vea la Figura 18.
- Enrosque la soga de forma bien tirante alrededor de la catraca de la polea.
- Tire la soga levemente para sacar la presión en la llave hexagonal. Retire la llave hexagonal y permita que la soga se rebobine lentamente.
- Instale nuevamente la Caja de la Polea en el motor. Ajuste los tornillos bien fuerte.

AVISO: Asegúrese de que el Aro-O de goma esté instalado en la caja de la polea. Vea la Figura 14.

- Alinee el orificio en la hélice con el eje de la hélice con el eje de la hélice, asegurándose de que coincidan las superficies rectas de cada uno. Figura 19.
- Arme las piezas. Haga los pasos del 1 al 3 a la inversa para rearmar.

ALMACENAMIENTO

- Limpie el aparato antes de guardarlo. Preste mucha atención al área de la entrada de aire, manteniéndola libre de escombros. Use un detergente suave y una esponja para limpiar las superficies de plástico.
- No almacene ni el aparato ni el combustible en lugares cerrados donde los vapores del combustible puedan entrar en contacto con chispas o llamas descubiertas de los termotanques, los motores o interruptores eléctricos, los calefactores centrales, etc.
- Guarde el aparato en un lugar seco y fuera del alcance de los niños.

CUIDADO: Es importante evitar la formación de depósitos de goma en los componentes esenciales del sistema de combustible como el carburador, el filtro de combustible, la manguera de combustible o el tanque de combustible. La experiencia indica que los combustibles elaborados con mezcla de alcohol (llamados Gasohol o usando metanol o etanol) pueden atraer humedad, que lleva a la separación y a la formación de ácidos durante la inactividad del aparato. La gasolina ácida puede dañar el sistema de combustible de un motor almacenado.

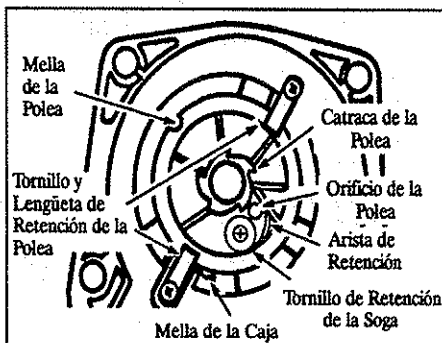


Figura 16

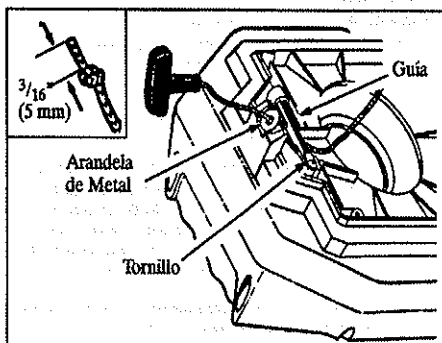


Figura 17

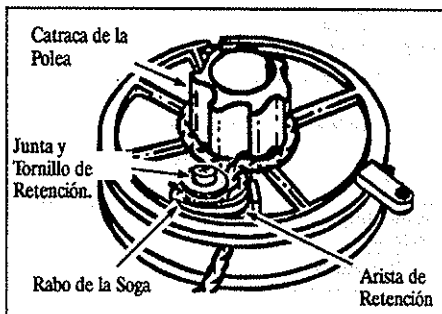


Figura 18

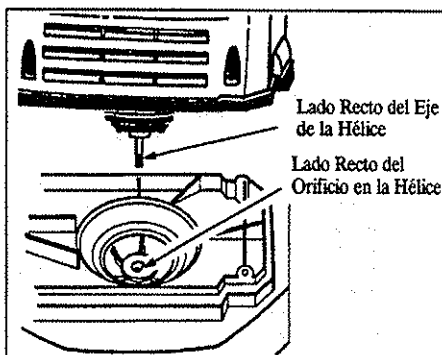


Figura 19

AJUSTES AL CARBURADOR

AVISO: El ajuste correcto del carburador es una tarea muy complicada. Lea todas las advertencias e instrucciones completamente antes de empezar los ajustes. Si no le parece que haya comprendido completamente todas las advertencias e instrucciones, deje que el Proveedor de Servicio Autorizado (Authorized Service Dealer) haga estos ajustes.

- El bajo rendimiento del motor puede ser debido a factores tales como el filtro de aire sucio, carbonización de los caños de escape, etc. Vea la "Planilla Diagnóstica" antes de proceder con ajustes al carburador.
- Para obtener los mejores resultados, se recomienda que todos los ajustes al carburador sean efectuados por el Proveedor de Servicio Autorizado. Su proveedor tiene el entrenamiento, la experiencia y las herramientas, necesarios para ajustar su aparato a nuestras normas de rendimiento de fábrica. *Este servicio no se provee bajo garantía.* Si se torna necesario que Ud. mismo haga los ajustes, siga los procedimientos descritos muy cuidadosamente.
- Los más ínfimos ajustes pueden afectar el rendimiento del motor. Es importante girar el tornillo sólo una distancia extremadamente pequeña en cada ajuste y después verificar el rendimiento antes de seguir ajustando. Cada ajuste deberá mover el tornillo una distancia no mayor que la del ancho de la ranura del tornillo de ajuste.
- Esta es una tarea complicada; es importante seguir las instrucciones en la secuencia que se indica.

SUGERENCIAS DIAGNOSTICAS

- El motor se detiene en posición de marcha lenta. Vea "Ajuste de la Marcha Lenta" y "Ajuste de la Mezcla".
- Baja de potencia que no se corrige con la limpieza del filtro de aire. Vea "Ajuste de la Mezcla".
- El motor no marcha. Vea la "Planilla Diagnóstica". Luego, si el carburador requiere ajuste, empiece por las "Posiciones Básicas de Carburación".

▲ ADVERTENCIA

La hélice estará girando durante este procedimiento. Use su equipo protector y practique todas las instrucciones de seguridad.

POSICIONES BASICAS DE CARBURACION

AVISO: En la mayoría de los casos el motor de su aparato funcionará como debe con sólo pequeños ajustes al carburador. Consulte las "Sugerencias Diagnósticas" en la columna de izquierda; identifique el problema que está teniendo y siga las instrucciones. Las posiciones básicas de carburación son las que siguen.

- Gire el tornillo de mezcla hacia la izquierda (en contra del sentido del reloj) hasta que se detenga. *No intente ajustar el tornillo más allá de los paradores ya que puede causar daños.*

PROCEDIMIENTO DE AJUSTE

• PREPARACION

- Use mezcla de combustión fresca. Vea la sección "Abastecimiento".
- No deje de instalar el tubo de propulsión y la boquilla para que la carga al motor sea la correcta.

AVISO: Si un aparato vino equipado con el juego de aspiración, deberá retirarse el tubo de

aspiración, la bolsa y las piezas afines e instalarse el tubo y la boquilla de propulsión antes de hacer estos ajustes.

- Ponga el motor en marcha y hágalo correr a fondo durante 3 minutos para que se caliente. *El motor tiene que estar a temperatura normal de funcionamiento antes de que se le puedan hacer los ajustes de carburación correctamente.*

AJUSTE DE LA MARCHA LENTA

- Deje el motor en marcha lenta.
- Ajuste el tornillo de marcha lenta (Figura 20) hasta que el motor continúe marchando sin ahogarse ni parar.
 - Gire el tornillo a la derecha (en el sentido del reloj) para aumentar las revoluciones si el motor se ahoga o se para.
 - Gire el tornillo a la izquierda (en contra del sentido del reloj) para bajar las revoluciones.
- No hace falta ajustar más si el rendimiento es satisfactorio.

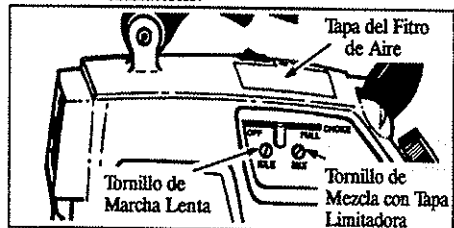


Figura 20

AJUSTE DE LA MEZCLA

CUIDADO: No haga correr el motor con aceleración a fondo por períodos prolongados de tiempo al hacer los ajustes de la mezcla, ya que esto puede ocasionar daños al motor.

- Ponga el motor en marcha.

AVISO: Haga los pasos "2" a "3" con el acelerador a fondo.

- Gire el tornillo de mezcla (Figura 20) a la izquierda en contra del sentido del reloj hasta que se detenga. *No intente ajustar el tornillo más allá de los paradores ya que esto puede ocasionar daños.*
- Gire el tornillo lentamente la distancia mínima a la derecha (en el sentido del reloj) hasta que el motor marcha correctamente. *No intente ajustar el tornillo más allá de los paradores ya que esto puede ocasionar daños.*
- Si el motor acelera y marcha correctamente, no hace falta hacer más ajustes.

CUIDADO: Si el motor no funciona de acuerdo a estas instrucciones después de haber repetido los pasos de ajuste, no use el aparato. Llévelo al Proveedor de Servicio Autorizado.

BUJIA -- Cambie la bujía una vez cada año.

PLANILLA DIAGNOSTICA

PROBLEMA	CAUSA	SOLUCION
El motor no arranca.	<ol style="list-style-type: none"> 1. El interruptor está en la posición "OFF". 2. El motor está ahogado. 3. El tanque de combustible está vacío. 4. La bujía no está haciendo chispa. 5. El combustible no está llegando al carburador. 6. La compresión está baja. 	<ol style="list-style-type: none"> 1. Coloque el Interruptor en "ON". 2. Vea las "Instrucciones de Arranque". 3. Abastezca con la mezcla de combustión correcta. 4. Instale bujía nueva. 5. Si el filtro de combustible está sucio, límpielo. Si la línea de combustible está plegada o partida, repárela o cámbiela. 6. Entre en contacto con el Proveedor de Servicio.
El motor no anda en marcha lenta.	<ol style="list-style-type: none"> 1. La marcha lenta tiene el ajuste muy bajo. 2. La marcha lenta tiene el ajuste muy alto. 3. Hay que ajustar el tornillo de mezcla. 4. Las juntas del cigüeñal están gastadas. 5. La compresión está baja. 	<ol style="list-style-type: none"> 1. Ajuste el tornillo de marcha lenta a la derecha para aumentar revoluciones. 2. Ajuste el tornillo de marcha lenta a la izquierda para bajar las revoluciones. 3. Vea "Ajustes al Carburador". 4. Entre en contacto con el Proveedor de Servicio. 5. Entre en contacto con el Proveedor de Servicio.
El motor no acelera o le falta potencia o se para bajo carga.	<ol style="list-style-type: none"> 1. El filtro de aire está sucio. 2. La bujía está carbonizada. 3. Hay que ajustar el carburador. 4. Carbonización. 5. La compresión está baja. 	<ol style="list-style-type: none"> 1. Limpie o cambie el filtro de aire. 2. Limpie o cambie la bujía y ajuste la separación. 3. Vea los "Ajustes al Carburador". 4. Entre en contacto con el Proveedor de Servicio. 5. Entre en contacto con el Proveedor de Servicio.
El motor larga humo excesivo.	<ol style="list-style-type: none"> 1. El cebador está parcialmente accionado. 2. Se ha mezclado incorrectamente el combustible. 3. El filtro de aire está sucio. 4. Hay que ajustar el tornillo de mezcla. 	<ol style="list-style-type: none"> 1. Ajuste el cebador. 2. Vacíe el tanque de combustible y reabastezca con la mezcla correcta de combustión. 3. Limpie o cambie el filtro de aire. 4. Vea los "Ajustes al Carburador".
El motor se calienta excesivamente.	<ol style="list-style-type: none"> 1. Se ha mezclado incorrectamente el combustible. 2. Se está usando la bujía incorrecta. 3. El tornillo de mezcla está ajustado muy bajo. 4. Carbonización. 	<ol style="list-style-type: none"> 1. Vea "Abastecimiento del Motor". 2. Cámbiela por la bujía correcta. 3. Vea los "Ajustes al Carburador". 4. Entre en contacto con el Proveedor de Servicio.

ACCESORIOS

ARTICULO

Nº DE INVENTARIO

Anteojos de Seguridad	952-701645
Gafas de Seguridad	952-701506
Acete 40:1 WEED EATER para Motores de 2 Tiempos	
Envase de 95 ml (3.2 oz.)	952-030127
Envase de 237 ml (8 oz.)	952-030128
Tapa del Tanque de Combustible	952-701583
Filtro de Aire	952-701623
Bujía	952-030077
Juego de Piezas de Aspiración (Modelo VA 1905)	952-701613
Juego de Piezas para Limpieza de Canaletas (Modelo GA 1900)	952-701586
Rejilla Antichispas	530-069285

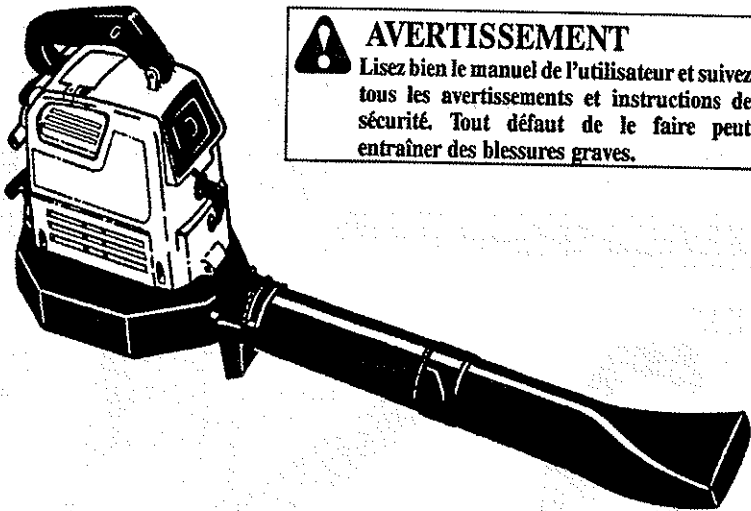
Download from www.Somanuals.com. All Manuals Search And Download.

MANUEL IMPORTANT

À Conserver

WEED EATER

® Trademark



AVERTISSEMENT

Lisez bien le manuel de l'utilisateur et suivez tous les avertissements et instructions de sécurité. Tout défaut de le faire peut entraîner des blessures graves.

MANUEL DE L'UTILISATEUR

MODEÈLE:

GBI 22V

(SOUFFLEUSE/ASPIRATEUR-22cm³)

GBI 30V

(SOUFFLEUSE/ASPIRATEUR-30cm³)



Toujours bien se protéger les yeux.

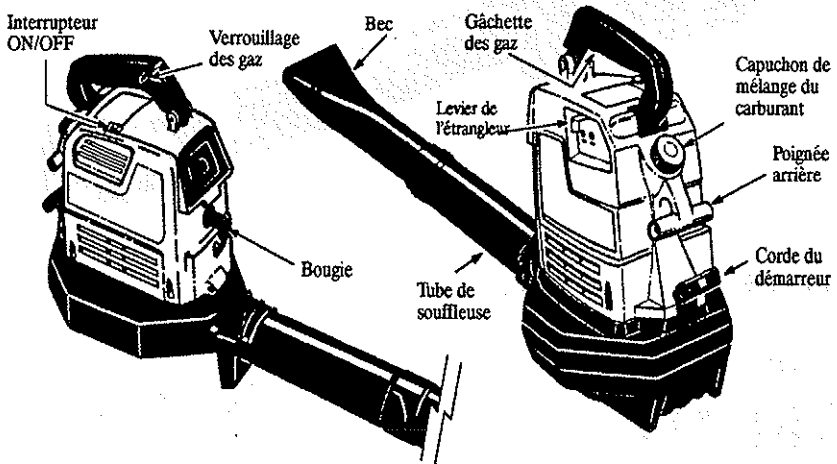
TABLAE DES MATIÈRES

AVERTISSEMENTS ET INSTRUCTIONS DE SÉCURITÉ	3	INSTRUCTIONS DE DÉMARRAGE	9
FAMILIARISEZ-VOUS AVEC VOTRE OUTIL	4	ENTRETIEN GÉNÉRAL	10
ASSEMBLAGE	4	BOUGIE	12
UTILISATION DE VOTRE OUTIL	6	ACCESSOIRES	13
FONCTIONNEMENT—Remplissage du réservoir de carburant	8	AIDE AUX CONSOMMATEURS	Couverture arrière

CARACTÉRISTIQUES

TYPE DE MOTEUR	2-temps refroidi à l'air	RÉSERVOIR	16.5 oz liq. (470 cm ³)
CYLINDRÉE	22 cm ³ — Modèle GBI 22V	SILENCIEUX	Lo Tone
	30 cm ³ — Modèle GBI 30V	VÉLOCITÉ D'AIR	155 mi/ph (249 km/h) Modèle GBI 22V 170 mi/h (273 km/h) Modèle GBI 30V
TOURS-MINUTE DU MOTEUR	Ralenti—3800-4600 (Les 2 modèles) En fonctionnement—6400-7000 (GBI 22V) —7400-8000 (GBI 30V)	VOLUME D'AIR (Comme souffleuse)	350 pi ³ /min (9,9 m ³) Modèle GBI 22V 360 pi ³ /min (10,2 m ³) Modèle GBI 30V
ALLUMAGE	Transistorisé	BOUGIE	Champion RCJ-8Y
RÉGLAGE DU L'ALLUMAGE	Fixe—Non réglable	ÉCARTEMENT DES ELECTRODES	.025 po. (0,63 mm)
CARBURATEUR	Diaphragme toute position	ESPACE D'AIR DU MODULE	.010-.014 po. (0,25-0,35 mm)
INTERRUPTEUR	Type culbuteur positif	LUBRIFICATION	Mélange d'huile/d'essence Voir "Remplissage du réservoir"
DÉMARREUR	Retour automatique		

Fabriqués sous un ou plus des brevets américains suivants: 5,269,665; 5,211,144; 5,174,255; 5,035,534; 4,940,028; 4,846,123; 4,674,146; 4,474,327; 4,413,371; 4,404,706; 4,402,105; 4,387,852; 4,325,163; 4,286,675; Re. 33,650; D349,983; D332,971; D304,510; D299,074; D266,355; D263,547. Autres brevets américains et étrangers en attente.



AVIS SPÉCIAL

Pour l'utilisation dans les Forêts nationales des É.-U. et de certains états, tels que: Californie (Code des ressources publiques 4442 et 4443), Idaho, Maine, Minnesota, New Jersey, Oregon et Washington: Certains moteurs à combustion interne utilisés dans des forêts, pour les broussailles et/ou l'herbe dans les régions ci-dessus doivent être équipés d'un pare-étincelles conservé en bon état ou le moteur doit être fabriqué, équipé et entretenu de façon à éviter les incendies. Demandez à votre état ou à vos autorités locales quels sont les règlements applicables. Tout défaut de respecter ces règlements est une contravention à la loi. Lors de sa fabrication, cet outil n'a pas été muni d'un pare-étincelles, mais cette pièce est disponible séparément. Si un pare-étincelles est requis dans votre région, adressez-vous à votre Centre de service autorisé pour en obtenir un. Le pare-étincelles, les tubes de souffleuse et les bacs doivent être fixés à l'outil pour qu'il se conforme aux règlements.

▲ AVERTISSEMENTS ET INSTRUCTIONS DE SÉCURITÉ

Tout défaut de suivre les règles et précautions de sécurité peut entraîner des blessures graves.

FAMILIARISEZ-VOUS AVEC VOTRE OUTIL

- Avant d'utiliser l'outil, lisez soigneusement votre manuel de l'utilisateur jusqu'à ce que vous compreniez parfaitement et puissiez bien suivre les instructions de sécurité.
- Réservez l'usage de votre outil à ceux qui comprennent et respecteront tous les avertissements et instructions de sécurité du manuel.

PLANIFIEZ VOTRE TRAVAIL

- Lors de l'utilisation et de l'entretien de votre outil, protégez-vous toujours bien les yeux pour éviter d'être blessé par des roches ou débris qui sont soufflés ou projetés ou font ricochet dans les yeux et peuvent causer des blessures graves ou la cécité.
- Portez toujours un respirateur ou un masque quand vous utilisez l'outil dans un endroit poussiéreux.
- Portez des pantalons longs. Ne portez ni pantalons courts ni vêtements amples ni sandales et ne travaillez pas pieds nus. Les vêtements amples, les bijoux et les vêtements qui ont des attaches, des bretelles ou des pompoms qui pendent etc... peuvent se prendre dans les pièces mobiles.
- N'utilisez pas l'outil quand vous êtes fatigué, malade, ni sous l'influence de l'alcool, de drogues, ni de médicaments.
- Tenez les enfants, les curieux et les animaux éloignés d'un minimum de 30 pieds (10 mètres) de l'aire de travail quand vous faites démarrer l'outil ou l'utilisez.
- Inspectez l'aire de travail avant de faire démarrer l'outil. Enlevez-en tous les débris et objets durs tels que roches, verre, broche, etc... qui peuvent faire ricochet, être projetés ou autrement causer des blessures ou des dommages durant le fonctionnement.

TRAITEZ LE CARBURANT AVEC PRUDENCE

- Éliminez toutes les sources d'étincelles et de flammes (cigarettes, flammes nues ou travail qui peut causer des étincelles) dans l'aire où le carburant est mélangé, versé ou entreposé.
- Mélangez et versez le carburant à l'extérieur. Rangez le carburant dans un endroit frais, sec et bien aéré. Utilisez un contenant bien identifié et approuvé pour le carburant.
- Ne fumez pas pendant que vous touchez au carburant ni pendant que vous utilisez l'outil.
- Ne remplissez pas le réservoir pendant que le moteur fonctionne.
- Essayez tout le carburant renversé avant de faire démarrer le moteur.
- Éloignez-vous d'au-moins 10 pieds (3 mètres) du carburant et de l'endroit du remplissage avant de faire démarrer le moteur.

UTILISATION SÛRE DE VOTRE OUTIL

- Arrêtez le moteur avant d'ouvrir la porte d'arrivée d'aspirateur. Le moteur doit être arrêté et les lames de l'impulseur ne doivent plus tourner pour éviter les blessures graves que pourraient causer les lames tournantes.
- Inspectez l'outil entier avant chaque usage pour voir s'il a des pièces desserrées, manquantes ou endommagées. N'utilisez pas un outil qui n'est pas en parfait état.
- Conservez les surfaces extérieures libres d'huile et de carburant.
- Ne faites jamais démarrer, ni fonctionner le moteur dans une pièce ou un édifice fermé(e). L'inhalation des vapeurs peut être mortelle.
- Pour éviter les secousses d'électricité statique, ne portez pas de gants de caoutchouc ou autres gants isolants durant l'utilisation de l'outil.
- Pendant qu'il fonctionne, ne déposez l'outil que sur une surface dure et propre. Des débris tels que gravier, sable, poussière, herbe, etc... pourraient entrer dans l'arrivée d'air et être projetés par l'orifice de décharge, ce qui peut

endommager l'outil, les biens ou causer des blessures graves à l'utilisateur ou à d'autres.

- Évitez les environnements dangereux. N'utilisez pas l'outil dans des endroits qui ne sont pas bien aérés ou dans lesquels il peut y avoir une accumulation de vapeurs explosives ou d'oxyde de carbone.
- N'essayez pas d'atteindre du bout des bras et n'utilisez pas l'outil depuis une surface instable telle qu'échelle, arbre, pente raide, haut de toit, etc... Conservez toujours un bon équilibre.
- Ne mettez jamais d'objets dans les tubes de soufflense. Dirigez toujours les débris soufflés loin des gens, des animaux, du verre et des objets solides tels que des arbres, autos, murs, etc... La force de l'air peut projeter des roches, de la saleté ou des morceaux de bois ou leur faire faire ricochet ce qui peut blesser des gens ou des animaux, briser du verre ou causer d'autres dommages.
- Ne faites jamais fonctionner le moteur sans avoir installé le bon équipement. Quand l'outil est utilisé comme souffleuse, installez toujours le tube de souffleuse. Quand il est utilisé comme aspirateur, installez toujours le tube d'aspirateur et le sac de ramassage.
- Vérifiez fréquemment l'arrivée d'air, les tubes de souffleuse, les tubes d'aspirateur et le tube coude, toujours avec le moteur arrêté et la bougie débranchée. Conservez toujours les événements et les tubes de décharge libres de débris qui peuvent s'accumuler et nuire à la circulation de l'air.
- Ne mettez jamais d'objets dans l'orifice d'arrivée d'air. Ils pourraient nuire à la circulation d'air et endommager l'outil.
- N'utilisez jamais l'outil pour étaler des produits chimiques, de l'engrais, ni tout autre produit qui peut contenir des produits toxiques.
- Pour éviter d'étendre les flammes, n'utilisez pas l'outil près de feux de feuilles ou de broussailles, de foyers, de barbecues, de cendriers, etc...
- N'utilisez l'outil que pour les travaux expliqués dans ce manuel.

BON ENTRETIEN DE L'OUTIL

- Faites faire tout l'entretien autre que celui recommandé dans ce manuel par votre Centre de service autorisé.
- Avant de faire tout entretien (sauf les réglages du carburateur), débranchez la bougie.
- N'utilisez que des pièces de rechange d'origine recommandées. L'utilisation de toutes autres pièces pourrait entraîner des dommages pour l'outil et/ou l'annulation de votre garantie.
- Inspectez souvent l'orifice d'arrivée d'air et les tubes d'aspirateur toujours avec le moteur arrêté. Conservez les événements et les tubes libres de débris qui peuvent s'accumuler et nuire au débit d'air.
- Avant d'entreposer l'outil, videz le réservoir d'essence. Épuisez le carburant qui reste dans le carburateur en faisant démarrer le moteur et en le laissant tourner jusqu'à ce qu'il s'arrête.
- N'utilisez aucun accessoire autre que ceux recommandés par le fabricant.
- N'entreposez pas l'outil, ni le carburant dans un endroit fermé où les vapeurs de carburant peuvent atteindre des étincelles ou la flamme nue de chauffe-eau, de moteur ou interrupteurs électriques, de fournaies, etc...
- Rangez l'outil dans un endroit sec, hors de portée des enfants.

Si acontecen situaciones no previstas en este manual, tenga cuidado y use de buen criterio. Si necesita ayuda, llame al Proveedor de Servicio Autorizado (Authorized Service Dealer) o a nuestro TELEFONO DE EMERGENCIA DE AYUDA AL CONSUMIDOR al 1-800-554-6723.

AVERTISSEMENT DE SÉCURITÉ

Une exposition aux vibrations lors d'une utilisation prolongée d'outils à main peut endommager les vaisseaux sanguins ou les nerfs des doigts, mains et jointures de gens qui sont sujets à des troubles de la circulation ou des entorses anormales. Une utilisation prolongée par temps froid a été reliée à des dommages aux vaisseaux sanguins subis par des gens habituellement en bonne santé. Si des symptômes tels que perte de sensation, douleur, perte de force, changement de la couleur ou texture de la peau ou perte de sensation dans les doigts, les mains ou les jointures se présentent, cessez d'utiliser l'outil et consultez un médecin. Un système anti-vibrations ne garantit pas que ces problèmes seront évités. Les personnes qui utilisent des outils motorisés d'une façon continue et régulière doivent suivre de près leur condition physique et la condition de l'outil.

FAMILIARISEZ-VOUS AVEC VOTRE OUTIL

INTRODUCTION

Votre souffeuse est un outil haute-performance pour les gros travaux.

Parmi ses caractéristiques spéciales:

- Poignée supérieure pour utilisation d'une main
- Poignée anti-vibrations
- Poids-12 lbs (5,44 kg)
- Rangement pratique à la verticale
- Poignée auxiliaire arrière pour facilité d'utilisation
- Accessoire pour nettoyage des gouttières disponible
- Peut se convertir en aspirateur
- Nécessaire d'aspirateur disponible pour les modèles GBI 22 & 30

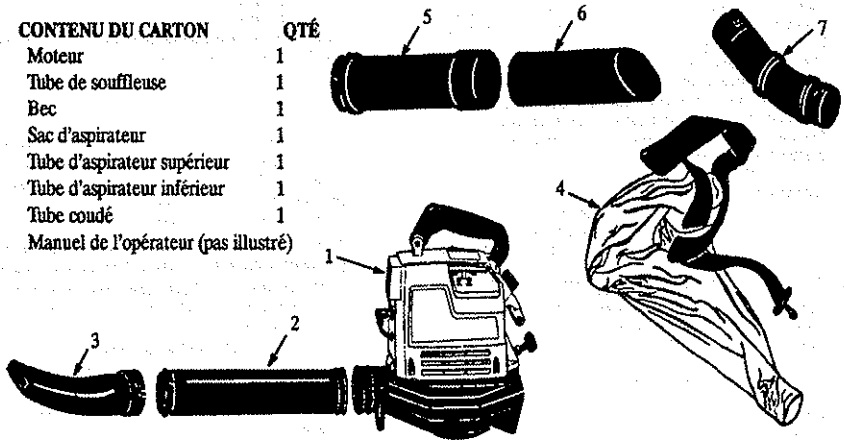
INSTRUCTIONS DE DÉBALLAGE

- Si vous ne l'avez pas fait, enlevez l'outil du carton.
- Vérifiez les pièces par rapport à la liste.
- Vérifiez si des pièces sont endommagées. N'utilisez pas celles qui le sont.
- Si toute pièce est endommagée, avisez immédiatement votre concessionnaire WEED EATER.

REMARQUE- Il est normal d'entendre le filtre à air cogner dans un réservoir d'essence vide.

REMARQUE- Votre outil a été essayé à l'usine et le carburateur a été réglé avec précision. Il est donc possible de sentir l'essence ou de trouver une goutte d'huile/d'essence sur le silencieux.

CONTENU DU CARTON	QTE
1. Moteur	1
2. Tube de souffeuse	1
3. Bec	1
4. Sac d'aspirateur	1
5. Tube d'aspirateur supérieur	1
6. Tube d'aspirateur inférieur	1
7. Tube coudé	1
8. Manuel de l'opérateur (pas illustré)	



ASSEMBLAGE

PRÉPARATION

- Ce manuel de l'utilisateur est conçu pour vous aider à assembler l'outil et à bien en comprendre le fonctionnement. Il est important que vous lisiez le manuel entier, pour vous familiariser avec l'outil, avant de commencer l'assemblage. Si vous avez des questions à poser ou avez besoin d'aide, veuillez appeler notre LIGNE SANS FRAIS D'AIDE AUX CONSOMMATEURS au 1-800-554-6723.

LISEZ BIEN LE MANUEL DE L'UTILISATEUR

- Aucun outil n'est requis pour l'assemblage.

REMARQUE- Pour faciliter l'assemblage, lubrifiez les pattes de blocage avant d'assembler les tubes.

ASSEMBLAGE DU TUBE DE SOUFFLEUSE

- Trouvez les deux pattes de blocage sur le côté du tube de souffeuse. Illustration 1.
- Alignez les rainures de retenue de bec et les pattes de blocage du tube de souffeuse et poussez le bec sur le tube de souffeuse.
- Faites tourner le bec dans le sens de l'horloge jusqu'à ce que les pièces s'enclenchent.

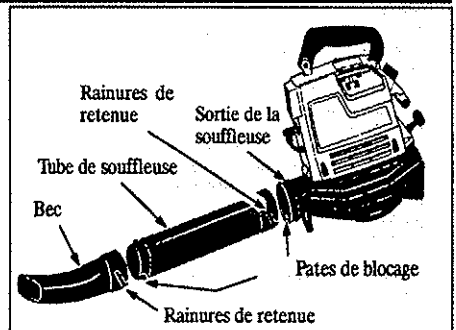


Illustration 1

- Alignez les rainures de retenue du tube de souffeuse et les pattes de blocage de la sortie de souffeuse et poussez le tube de souffeuse dans cette sortie. Illustration 1.
- Faites tourner le tube de souffeuse dans le sens de l'horloge jusqu'à ce que les pièces s'enclenchent.

SAC D'ASPIRATEUR

- Ouvrez la fermeture-éclair de la partie plus large du sac.

REMARQUE- Le bout du tube cousu qui a des rainures encastrées devrait être introduit dans l'ouverture du tube du sac. Illustration 2.

- Introduisez le tube cousu dans l'ouverture de la fermeture-éclair du sac de l'aspirateur. (Ill. 3). Poussez ensuite l'extrémité du tube cousu qui a les rainures encastrées dans l'ouverture du tube de l'autre bout du sac. Illustration 3. Assurez-vous que l'ouverture du sac est tout contre le collet du tube. Illustration 2.

- Fermez la fermeture-éclair du sac. Assurez-vous qu'elle est complètement fermée et que sa couture est vers l'intérieur du sac. Illustration 4 (encadré).



Illustration 2

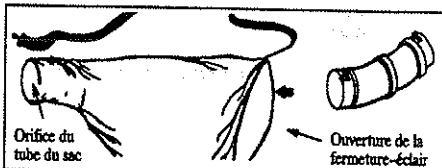


Illustration 3

ASSEMBLAGE DU TUBE D'ASPIRATEUR

⚠ AVERTISSEMENT

Arrêtez le moteur avant d'ouvrir la porte d'arrivée de l'aspirateur ou d'essayer d'introduire ou d'enlever les tubes d'aspirateur. Le moteur doit être arrêté et les lames de l'impulseur ne doivent plus tourner pour éviter les blessures graves que causeraient les lames tournantes.

- Enlevez le tube de souffeuse du moteur. Illustration 4.
- Posez l'outil sur une surface plane (ill.5). Ouvrez le couvercle de l'arrivée de l'aspirateur comme suit:
 - Introduisez une tournevis dans l'emplacement du verrouillage. (Ill.5).
 - Tournez doucement le bout du tournevis et ouvrez le couvercle de la sortie de l'aspirateur de l'autre main.

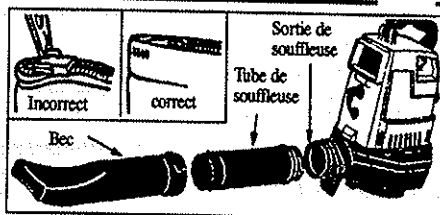


Illustration 4

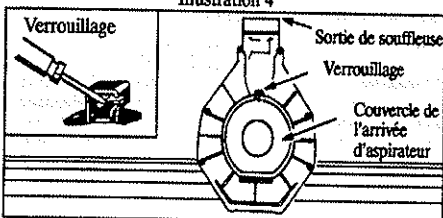


Illustration 5

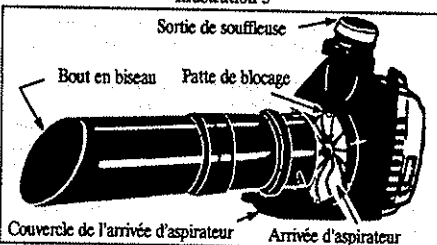


Illustration 6

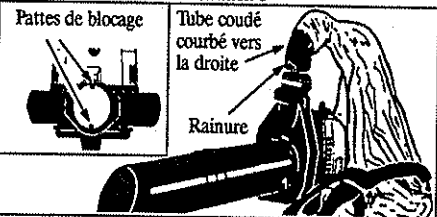


Illustration 7

REMARQUE- Le bout du tube d'aspirateur inférieur est en biseau. Assurez-vous que ce bout en biseau est aligné avec la sortie de souffeuse tel qu'indiqué à l'illustration 6.

- Alignez les rainures du tube cousu et les pattes de blocage de l'intérieur de la sortie de souffeuse. Illustration 7 (encadré). Pour un bon alignement, assurez-vous que le tube cousu se recourbe vers la droite (Ill. 7). Introduisez le tube cousu dans la sortie de souffeuse. Tournez-le dans le sens contraire de l'horloge jusqu'à ce qu'il s'enclenche.
- Ajustez le sac de ramassage de l'aspirateur jusqu'à ce que la bandoulière soit alignée avec la poignée supérieure. Illustration 8.

AJUSTEMENT DE LA BANDOULIÈRE

- De la main gauche, tenez l'outil à la verticale, en appuyant le tube d'aspirateur inférieur sur le sol. Ill. 8. Assurez-vous que la souffleuse et le sac de ramassage sont à votre droite. Illustration 8.
- Mettez la bandoulière du sac de ramassage sur votre épaule gauche et mettez le crochet du sac sur la la bride de retenue de la poignée supérieure. Illustration 8 (encadré).
- Étendez le bras droit vers l'arrière du sac de ramassage. Illustration 8.
- Ajustez la bandoulière jusqu'à ce que la couture du sac de ramassage/ de la bandoulière soit entre votre pouce et votre index. Illustration 8.
- Assurez-vous que la bandoulière est ajustée de façon à ne pas empêcher l'air de sortir de l'orifice de l'aspirateur. Illustration 8. Si le sac est entortillé, l'outil ne fonctionnera pas bien.

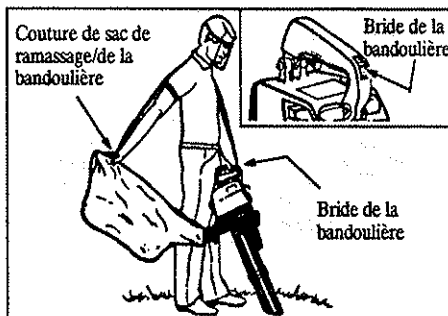


Illustration 8

COVERSION EN SOUFFLEUSE

- Arrêtez le moteur.
- Enlevez les tubes d'aspirateur et le sac de ramassage.
- Fermez bien le couvercle de l'arrivée de l'aspirateur en

vous assurant que la patte de verrouillage est bien fixée.

- Ré-installez les tubes de souffluse tel qu'indiqué dans la section "B-Assemblage des tubes de souffluse".

UTILISATION DE VOTRE OUTIL

SÉCURITÉ DE L'UTILISATEUR

▲ AVERTISSEMENT

N'assemblez pas et ne démontez pas le tube de l'aspirateur pendant que le moteur est en marche. L'insertion ou l'enlèvement du tube de l'aspirateur pendant que le moteur est en marche peut entraîner des blessures graves. Toujours arrêter le moteur avant de déboucher les saletés ou d'effectuer tout entretien du sac de ramassage.

Comme souffleuse, l'outil est destiné à balayer les débris, l'herbe, la paille, les feuilles ou les petites brindilles. Ne l'utilisez jamais pour étaler ou vaporiser des produits chimiques, de l'engrais ou autres matériaux qui pourraient contenir des substances toxiques. Comme aspirateur, il n'est pas conçu pour ramasser les matériaux secs tels que l'herbe, les feuilles, les brindilles et petits morceaux de papier. N'essayez pas d'aspirer des roches, du gravier, du métal, du verre brisé, ni tous autres débris qui peuvent endommager l'impulseur. N'essayez jamais d'aspirer de l'eau ou tout autre liquide. L'aspiration d'eau ou de tout autre liquide endommagera le moteur. Évitez les situations où le sac pourrait prendre feu. N'utilisez pas l'outil près de flammes nues. N'aspirez ni cigarettes ni cigares jetés, ni de cendres de foyers, de barbecue, de feux de broussailles, etc...

- Lisez bien votre manuel de l'utilisateur. Assurez-vous que vous comprenez parfaitement et pouvez respecter tous les avertissements et instructions de sécurité du manuel avant d'utiliser l'outil.
- Protégez-vous toujours bien les yeux pour éviter la cécité ou les blessures graves qui pourraient causer des roches ou débris qui sont projetés ou font ricochet dans les yeux ou le visage.
- Portez toujours un respirateur ou un masque quand vous travaillez dans des endroits poussiéreux.
- Vérifiez l'outil avant chaque utilisation. Vérifiez qu'il n'y a aucune pièce usagée, desserrée, manquante ou endommagée. N'utilisez l'outil que s'il est en parfait état.
- Portez toujours des pantalons longs. Ne travaillez pas pieds nus et ne portez pas de sandales, ni de pantalons courts. Les vêtements amples, les bijoux, les vêtements qui ont des bretelles, des attaches ou des pompons qui pendent, etc... peuvent se prendre dans les pièces mobiles.

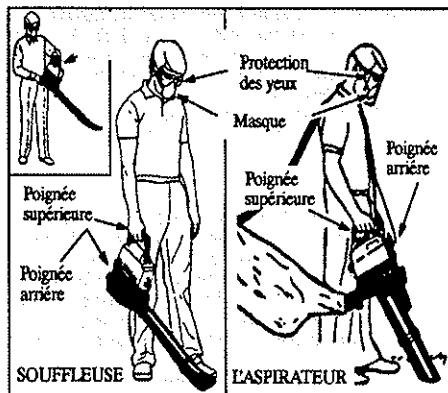


Illustration 9

- Inspectez l'aire de travail entière avant de faire démarrer le moteur. Enlevez-en tous les débris et objets tels que roches, verre, broche, grosses branches/gros morceaux de bois, clous, etc... qui peuvent causer des dommages durant l'utilisation.
- Tenez les enfants, les curieux et les animaux à une distance sûre. Avant de faire démarrer l'appareil et durant l'utilisation, assurez-vous que les enfants, les gens et les animaux sont éloignés d'au moins 30 pieds (10 mètres) du lieu de travail.
- Pour éviter les secousses d'électricité statique, ne portez pas de gants de caoutchouc, ni de gants isolants durant l'utilisation de l'outil.
- N'utilisez jamais l'outil sans y avoir installé l'équipement qui convient. Quand vous l'utilisez comme souffleuse, fixez-y toujours les tubes de souffluses. Quand vous l'utilisez comme aspirateur, fixez-y toujours les tubes d'aspirateur et le sac de ramassage. Assurez-vous que le sac de ramassage est entièrement fermé (Illustration 4).
- Vérifiez fréquemment l'orifice d'arrivée d'air, les tubes de souffluse, les tubes d'aspiration et le tube coulé- toujours avec le moteur arrêté et la bougie débranchée. Assurez-vous

que les événements et les tubes de décharge sont libres de débris qui peuvent s'accumuler et nuire à la circulation de l'air.

- Ne mettez jamais d'objets à l'intérieur des tubes de souffleur; dirigez toujours les débris que vous soufflez loin des gens, des animaux, du verre et des objets solides tels que les arbres, les autos, les murs, etc... La force de l'air peut projeter ou faire ricocher des roches, de la saleté ou des morceaux de bois, ce qui pourrait blesser les gens ou les animaux, briser du verre ou causer d'autres dommages.

SUGGESTIONS D'UTILISATION-SOUFFLEUSE

▲ AVERTISSEMENT

N'utilisez l'outil comme souffleur que si les tubes de soufflerie y sont bien fixés, pour éviter le contact avec l'impulseur qui pourrait causer des blessures graves.

- Travaillez toujours en vous éloignant des objets solides tels que les murs, les grosses pierres, les autos et les clôtures.
- Nettoyez les coins en commençant dans le coin et en vous dirigeant vers les aires droites pour éviter une accumulation de débris qui pourraient être projetés dans le visage.
- Faites attention quand vous travaillez près de plantes. La force de l'air pourrait endommager les plantes fragiles.
- Dirigez l'air en pointant le bec vers le bas ou d'un côté.
- Changez le débit d'air en changeant la pression de la main sur la gâchette.

▲ AVERTISSEMENT

Protégez-vous toujours bien les yeux pour éviter la cécité et les blessures que pourraient causer les roches ou débris qui sont projetés ou font ricochet dans les yeux et le visage.

SUGGESTIONS D'UTILISATION-ASPIRATEUR

▲ AVERTISSEMENT

N'utilisez pas l'outil comme aspirateur sans le tube d'aspirateur et le sac de ramassage pour éviter les débris projetés et/ou le contact avec l'impulseur qui peuvent causer des blessures graves. Avant de faire démarrer le moteur, assurez-vous toujours que le sac de ramassage est bien fermé.

- Quand vous utilisez votre outil comme aspirateur, les meilleurs résultats sont obtenus quand l'outil est utilisé à pleine vitesse.
- Déplacez lentement l'outil de l'arrière vers l'avant au dessus des débris à aspirer. Évitez de forcer le tube dans une pile de débris, car cela peut boucher l'outil.
- L'aspirateur peut aspirer des objets qui sont trop gros pour traverser l'impulseur. Ce type d'objet tombera de l'adaptateur/des tubes quand l'outil est arrêté.

- Adoptez la bonne position d'utilisation. Illustration 9. Ne cherchez pas à atteindre du bout des bras et n'utilisez pas l'outil en vous tenant sur des surfaces instables telles qu'échelles, arbres, pentes très inclinées, haut de toit, etc... Gardez toujours un parfait équilibre.
- Quand vous utilisez l'outil comme aspirateur, utilisez toujours la bandoulière du sac de ramassage pour bien contrôler celui-ci.

- Utilisez la poignée arrière quand vous travaillez à une hauteur plus élevée que la taille ou quand une prise des deux mains est désirée.
- Usages de la souffleuse:
 - Balayage des débris ou de l'herbe coupée d'entrées d'autos, de trottoirs, de patios, de stationnements, de granges, de stades...
 - Soufflage d'herbe coupée, de paille ou de feuilles pour les mettre en piles.
 - Séchage rapide de surfaces extérieures tels que les patios.
 - Nettoyage des débris dans les coins, autour de joints et entre les briques.
 - Enlèvement de neige légère des entrées d'autos, des trottoirs ou des patios.

- Si l'outil se bouche:
 - Arrêtez-le moteur et débranchez le fil de la bougie. N'essayez jamais d'enlever les obstructions pendant que l'outil est en marche.
 - Attendez que l'impulseur ait complètement arrêté de tourner et enlevez alors le tube d'extension.
 - Enlevez alors soigneusement les débris de l'ouverture de l'aspirateur.
- Le sac de ramassage doit être bien vidé et nettoyé pour éviter sa détérioration et l'obstruction de l'air qui nuira à la performance du moteur.
 - Enlevez le sac de l'outil et videz-le après chaque usage. Ne rangez pas un sac qui contient des feuilles, de l'herbe, etc...
 - Lavez le sac une fois par an, comme suit:
 - Retournez-le à l'envers.
 - Suspendez-le.
 - Lavez-le à fond avec un tuyau d'arrosage.
 - Laissez-le suspendu jusqu'à ce qu'il soit bien sec.



UTILISATION -- REMPLISSAGE DU RÉSERVOIR DE CARBURANT

AVANT DE REMPLIR LE RÉSERVOIR



AVERTISSEMENT

AVANT DE COMMENCER, NE MANQUEZ PAS DE LIRE LA SECTION DES RÈGLES DE SÉCURITÉ.

SI VOUS NE COMPRENEZ PAS LES RÈGLES DE SÉCURITÉ, N'ESSAYEZ PAS DE REMPLIR LE RÉSERVOIR DE VOTRE OUTIL. APPELEZ NOTRE LIGNE D'AIDE AUX CONSOMMATEURS AU 1-800-554-6723.

CARBURANT

Le moteur deux-temps de cet outil exige un mélange de carburant composé d'essence ordinaire sans plomb et d'une huile à moteur de haute qualité pour la lubrification des roulements et autres pièces mobiles. La bonne proportion d'essence/d'huile est de 40 à 1 (Voir le tableau). Trop peu d'huile ou le mauvais type d'huile peut nuire à la performance et causer un surchauffement ou une panne du moteur.

L'essence et l'huile doivent être mélangées d'avance dans un contenant propre et approuvé pour l'essence. Utilisez toujours de l'essence ordinaire sans plomb fraîche.

Le fonctionnement de ce moteur est garanti avec de l'essence sans plomb.

HUILE POUR MOTEURS 2-TEMPS REFROIDIS À L'AIR:

L'huile WEED EATER 40 à 1 pour moteurs 2-temps est fortement recommandée. Cette huile est spécialement mélangée à des stabilisateurs de carburant et contient des additifs qui réduisent la fumée.

- Les stabilisateurs de carburant protègent le carburant contre l'oxydation et contre la formation de gomme et vernis.
- Dans des conditions normales, l'essence ordinaire sans plomb reste fraîche pendant 30 à 60 jours après son expédition par la raffinerie.
- L'huile WEED EATER 40 à 1 pour moteurs 2-temps qui contient des stabilisateurs de carburant prolongera la durée du carburant de plus de 5 fois.

Si de l'huile WEED EAER 40 à 1 pour moteurs 2-temps n'est pas disponible, utilisez une huile pour moteurs 2-temps de bonne qualité, conçue pour les moteurs REFROIDIS À L'AIR et dont la proportion de mélange recommandée est de 40 à 1.

IMPORTANT - N'utilisez pas:

- D'HUILE AUTOMOBILE
- D'HUILE NMMA pour les moteurs de bateaux

Elles ne contiennent pas les bons additifs pour les moteurs 2-temps REFROIDIS À L'AIR et peuvent les endommager.

MÉLANGE D'ESSENCE ET D'HUILE

Mélangez l'essence et l'huile comme suit:

- Reportez-vous au tableau de mélange.
- Ne mélangez pas l'essence et l'huile dans le réservoir de carburant de l'outil.

POUR UN GALLON DE CARBURANT:

- Versez 3.2 onces d'huile de haute qualité pour moteur 2-temps dans un contenant vide approuvé pour le carburant.
- Ajoutez un gallon d'essence ordinaire sans plomb dans le contenant et rebouchez-le ensuite à fond. Secouez le contenant pendant quelques instantes pour vous assurer que l'huile est bien mélangée à l'essence. Le carburant est alors prêt à utiliser.

TABLEAU DE MÉLANGE DU CARBURANT

Proportion de mélange d'essence/d'huile de 40 à 1

Essence	Huile (on. liq.)
1 gal. am. (3,81)	3.2 oz.liq. (95 ml)
1.25 gal. am. (4,71)	4 oz liq. (118 ml)
2.5 gal. am. (9,51)	8 oz liq. (237 ml)

REMARQUE—Les contenants pour l'essence d'un gallon ont une capacité de plus d'un gallon. Si l'on met trop d'essence dans le contenant, le mélange d'essence/d'huile obtenu ne permettra pas un bon fonctionnement du moteur.

INSTRUCCIONES DE DÉMARRAGE

- Pour arrêter le moteur:
 - Mettre l'interrupteur en position d'arrêt (Off). III. 10.
- Avant de faire démarrer le moteur:
 - Remplissez le réservoir. Eloignez-vous d'au moins 10 pieds (3 mètres) de l'endroit du remplissage.
 - Tenez l'outil dans la position de démarrage (Illustration 11). Assurez-vous que le bout du tube de soufflage n'est pas dirigé vers des gens, des animaux, du verre et des objets solides.

▲ AVERTISSEMENT

Lors du démarrage du moteur, tenez l'outil comme à l'illustration 11. Lors du démarrage ou durant le fonctionnement, ne déposez pas l'outil sur une surface qui n'est pas propre et solide. Des débris (gravier, sable, poussière, herbe ecl...) pourraient entrer dans l'arrivée d'air et être projetés par l'orifice de décharge et endommager l'outil ou les biens ou causer des blessures graves aux passants ou à l'utilisateur.

- Démarrage d'un moteur froid ou chaud après épuisement du carburant
 - Mettez l'interrupteur d'allumage en position "On". Illustration 10.
 - Mettez l'étrangleur en position "Full". Illustration 10.
 - Prenez la poignée et pressez à fond la gâchette. Tenez-la pressée jusqu'à ce que le moteur soit réchauffé.
 - Tirez brusquement sur la corde du démarreur jusqu'à ce que le moteur essaie de démarrer, mais pas plus de 8 fois sur "Full Choke". L'essai de démarrage du moteur peut être difficile à entendre et vous devez bien écouter. Après 8 tirages, passez à l'étape suivante, même si le même si le moteur n'a pas essayé de démarrer.
 - Mettez l'étrangleur sur "Half". Illustration 10.
 - Tirez brusquement la corde du démarreur jusqu'à ce que le moteur tourne. (Pas plus de 5 fois).

REMARQUE- Si le moteur ne démarre pas après 5 tirages, répétez toutes les étapes ci-dessus.

● Quand le moteur a démarré, laissez-le tourner pendant 10 à 15 secondes et mettez ensuite de levier de l'étrangleur sur "Off". Illustration 10.

● Relâchez la gâchette des gaz.

REMARQUE- Si le moteur meurt alors que le levier d'étrangleur est sur "Off", mettez l'étrangleur en position "Half" et tirez la corde du démarreur 5 fois de plus. Si le moteur n'a pas démarré ou ne fonctionne pas bien, voir "Réglages du carburateur".

● Pour arrêter le moteur, mettez l'interrupteur sur "Off".

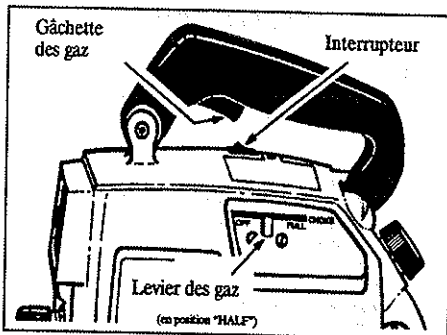


Illustration 10

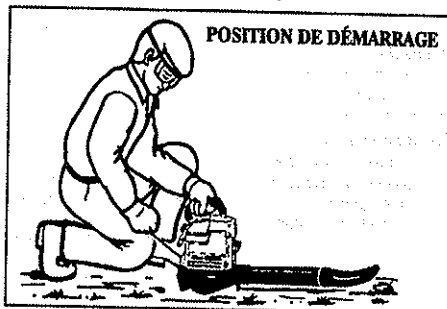


Illustration 11

- Démarrage d'un moteur chaud:
 - Mettez l'interrupteur en position "On". III. 10.
 - Mettez le levier de l'étrangleur en position "Half". III. 10.
 - Prenez la poignée et pressez à fond la gâchette des gaz. Continuez à la perresser jusqu'au démarrage du moteur.
 - Tirez brusquement sur la corde du démarreur jusqu'à ce que le moteur essaie de tourner, mais pas plus de 5 fois.
 - Mettez le levier de l'étrangleur sur "Off". Illustration 10.
 - Relâchez la gâchette des gaz.
- REMARQUE-** Si le moteur n'a pas démarré après 5 tirages de la corde, il est probablement noyé. Attendez quelques minutes et répétez le processus avec l'étrangleur en position "Off".
- Pour arrêter le moteur, mettez l'interrupteur en position "Off". Illustration 10.



ENTRETIEN GÉNÉRAL

FILTRE À AIR:

Un filtre à air sale nuit à la performance du moteur, fait augmenter la consommation de carburant et les échappements nocifs.

Nettoyage du filtre à air:

- Nettoyage fréquent
- Toujours nettoyer le filtre après 5 remplissages du réservoir ou 5 heures de fonctionnement.

Étapes à suivre:

- Mettez le levier de l'étrangleur sur "Full". Illustration 10.
- Enlevez la vis du couvercle du filtre à air (sur le dessus de l'outil, sous la poignée).
- Enlevez le filtre à air du couvercle.
- Lavez le filtre à air dans de l'eau et du savon.

ATTENTION: Ne nettoyez pas le filtre à air dans de l'essence, ni tout autre solvant inflammable. Cela pourrait créer un danger d'incendie.

- Pressez le filtre pour enlever l'eau et remettez-le dans le couvercle.

- Ajoutez 4 ou 5 gouttes d'huile au filtre.

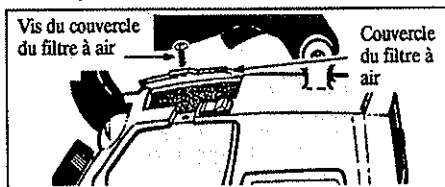


Illustration 12

REMARQUE- Évitez de mettre trop d'huile sur le filtre à air.

- Pressez le filtre à air pour bien répartir l'huile.
- Ré-installez le couvercle du filtre à air. Remettez le levier de l'étrangleur en position "Off". Illustration 10.

ATTENTION: Les trous du filtre à air doivent être encastrés sur les pitons du couvercle du filtre air. Quand vous installez le filtre/couvercle, assurez-vous que le filtre ne pend pas sur la vis du levier de l'étrangleur.

RÉSERVOIR DE CARBURANT

N'utilisez jamais d'essence âgée de plus de 2 mois. Après une période assez courte, l'essence commence à se désintégrer et à former des composés qui nuisent au démarrage des moteurs 2-temps et les endommagent. Si de l'essence âgée de plus de 2 mois est utilisée, il sera difficile ou impossible de faire démarrer le moteur.

- À chaque fois que vous utilisez l'outil, vérifiez s'il a des fuites de carburant. Faites réparer ou remplacer les pièces, tel que requis.
- Avant de fermer l'outil, videz le carburant ou épaisez-le.

CORDE DU DÉMARREUR

Remplacez la corde du démarreur si elle se brise ou est très usée.

REMARQUE- Si la corde n'est pas brisée, coupez-la et laissez la se ré-enrouler sur la poulie.

▲ AVERTISSEMENT

Quand vous remplacez la corde du démarreur, n'enlevez pas la poulie. Protégez-vous toujours les yeux quand vous remplacez la corde. Le ressort qui se trouve en dessous est sous tension et pourrait se détacher brusquement et causer des blessures graves.

Remplacement ou réparation de la corde:

- Débranchez le fil de la bougie de la bougie.
- Ouvrez le couvercle de l'arrivée d'air. Enlevez l'écrou et les rondelles de l'impulseur, tout en tenant ce dernier. Illustration 13.
- Enlevez les 4 vis de l'enveloppe de l'impulseur et les 2 vis de l'enveloppe du moteur. Ill. 14. Enlevez l'enveloppe de l'impulseur de l'enveloppe du moteur.
- Enlevez les 5 vis du bâti de la poulie. Ill. 15. Ouvrez ensuite doucement l'enveloppe du moteur et enlevez le bâti de la poulie et la poulie du moteur.
- Enlevez la vis de retenue de la corde de la poulie. Illustration 16. Enlevez toute corde qui reste.
- De la main, faites tourner la poulie dans le sens de l'horloge aussi loin que possible. Faites ensuite tourner la poulie dans le sens contraire de l'horloge, jusqu'à ce que l'encoche de la poulie et l'encoche du bâti soient alignées. Illustration 16. Introduisez une petite clé hexagonale dans le trou formé par les encoches. Ill. 16.

REMARQUE- Si vous installez une corde neuve, passez à l'étape 7. Si vous ré-installez une ancienne corde, passez à l'étape 10.

- Éloignez-vous du réservoir d'essence et faites fondre les bouts de la corde.

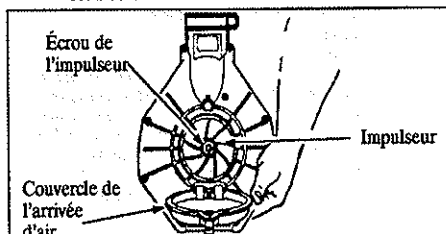


Illustration 13

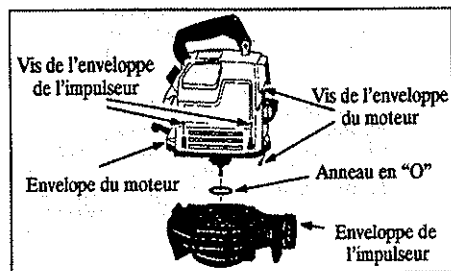


Illustration 14

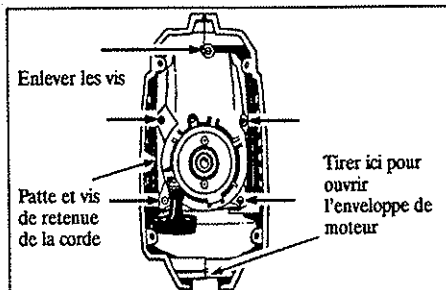


Illustration 15

- Laissez chaque bout s'égoutter une fois. Pendant que la corde est encore chaude, faites passer les bouts fondus dans un linge épais propre, pour obtenir des bouts pointus et unis.
- Introduisez un bout de la corde dans la poignée et faites un noeud. Laissez sortir du noeud un bout de corde de 5 mm (3/16"). Illustration 17 (encadré).
- Introduisez l'autre bout de la corde dans la bague en métal, puis sous le guide de la corde. Illustration 17.
- Introduisez la corde dans la poulie, puis dans le trou de la poulie. Illustration 16.
- Enroulez la corde sur le rochet de la poulie, dans le sens contraire de l'horloge et coincez le bout sous la corde, en laissant une queue d'environ 1 po. (2,5 cm) près du rebord de retenue. Ill. 18.

REMARQUE- À l'étape 13, ne serrez pas trop la vis de retenue, sinon vous l'endommagerez. Serrez la vis jusqu'à ce que le bas de la rondelle 1) soit tout contre la corde ou 2) touche le haut du piton de la vis.

- Installez et serrez la vis de retenue et sa rondelle. Ill. 18.
- Tirez la corde pour la serrer tout contre le rochet de la poulie.
- Tirez légèrement sur la corde pour relâcher la pression sur la clé hexagonale. Enlevez la clé hexagonale et laissez la corde se ré-enrouler doucement.
- Re-fixez le bâti de la poulie au moteur. Serrez les vis à fond.

REMARQUE- Assurez-vous que l'anneau de caoutchouc en O est installé sur le bâti de la poulie. Illustration 14.

- Alignez le trou de l'impulseur et l'arbre de l'impulseur, en vous assurant que les côtés plats sont alignés l'un avec l'autre. Ill. 19.
- Assemblez. Pour ré-assembler répétez les étapes de 1 à 3 à rebours.

RANGEMENT

- Nettoyez l'outil avant de le ranger. Portez une attention particulière à l'aire de l'arrivée d'air qui doit être libre de débris. Utilisez un détergent doux et une éponge pour nettoyer les surfaces en plastique.
- Ne rangez ni l'outil, ni le carburant dans un endroit fermé où des vapeurs de carburant peuvent atteindre des étincelles ou la flamme nue de chauffe-eau, de moteurs ou interrupteurs électriques, de fournaies, etc...
- Entrez l'outil dans un endroit sec, hors de portée des enfants.

ATTENTION: Il est important d'empêcher la formation de dépôts collants sur les pièces essentielles du dispositif du carburant telles que le carburateur, le filtre à essence, le tuyau d'essence ou le réservoir durant l'entreposage. Il a été prouvé que les carburants à l'alcool (appelés gasohol ou qui utilisent de l'éthanol ou du méthanol) peuvent attirer l'humidité qui cause la séparation et la formation d'acides durant l'entreposage. Durant l'entreposage, les gaz acides peuvent endommager le dispositif de carburant du moteur.

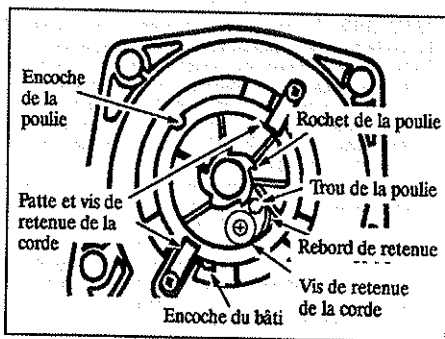


Illustration 16

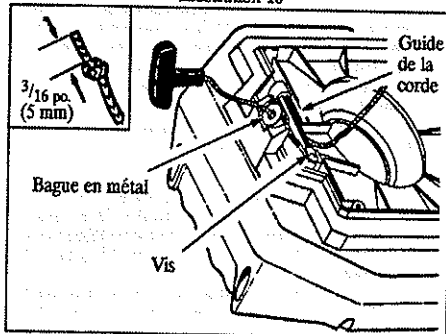


Illustration 17

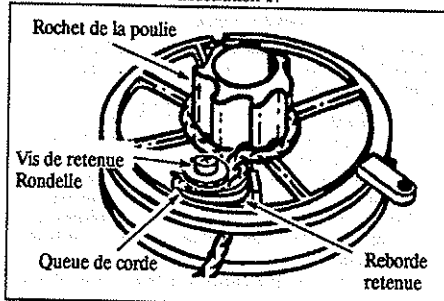


Illustration 18

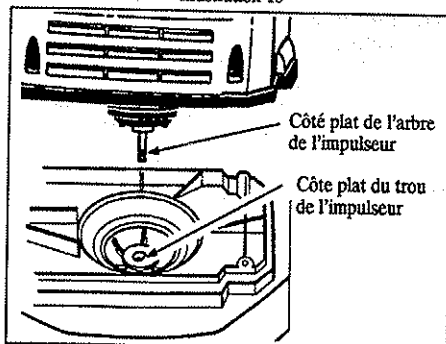


Illustration 19

RÉGLAGES DU CARBURATEUR

REMARQUE— Le bon réglage du carburateur est une tâche complexe. Lisez bien tous les avertissements et toutes les instructions avant de commencer à faire des réglages. Si vous ne pensez pas bien comprendre tous les avertissements et toutes les instructions, laissez votre centre de service faire tous les réglages requis.

- Une mauvaise performance du moteur peut être le résultat d'autres causes, tel qu'un filtre à air encrassé, une accumulation de carbone sur les sorties du silencieux, etc... Voir le "Tableau de dépannage" avant de faire des réglages du carburateur.
- Pour obtenir les meilleurs résultats possibles, il vous est recommandé de faire faire tous les réglages du carburateur par un centre de service autorisé. Votre concessionnaire a la formation, l'expérience et les outils requis pour bien régler votre outil afin qu'il se conforme à nos spécifications de performance. Ce travail n'est pas couvert par la garantie. Si vous devez faire des réglages du carburateur vous-même, suivez très soigneusement la méthode indiquée.
- De très légers réglages peuvent affecter la performance du moteur. Il est important de ne tourner la vis qu'un tout petit peu à chaque réglage et de vérifier la performance avant de faire d'autres réglages. Chaque réglage ne devrait pas être de plus de la largeur de la fente de la vis de réglage.
- Il s'agit là d'une tâche compliquée et il est donc important de suivre les étapes dans l'ordre indiqué.

SUGGESTIONS DE DÉPANNAGE

- Le moteur ne continue pas à tourner au ralenti. Voir "Réglage du ralenti" et "Réglage du mélange".
- Perte de puissance qui ne peut être rectifiée par un nettoyage du filtre à air. Voir "Réglage du mélange".
- Le moteur ne fonctionne pas. Voir le "Tableau de dépannage". Si le carburateur a besoin d'un réglage, commencez par "Réglages de base du carburateur".

▲ AVERTISSEMENT

L'impulseur tournera durant tout ce processus. Portez tout votre équipement de protection et observez toutes les instructions de sécurité.

RÉGLAGES DE BASE DU CARBURATEUR

REMARQUE— Dans la plupart des cas, de légers réglages du carburateur peuvent assurer un bon fonctionnement du moteur. Reportez-vous à la condition qui existe, dans la colonne de gauche du "Tableau de dépannage" et suivez les instructions. Les réglages de base du carburateur sont indiqués ci-dessous.

- Tournez la vis du mélange dans le sens contraire de l'horloge jusqu'à ce qu'elle s'arrête. Ne la tournez pas trop car cela pourrait l'endommager.

MÉTHODE DE RÉGLAGE

• PRÉPARATION

- Utilisez un mélange d'essence frais. Voir "Remplissage du réservoir".
- Assurez-vous que le tube de souffluse et le bec sont bien installés pour donner la bonne charge au moteur.

REMARQUE— Si votre outil est équipé de l'accessoire d'aspirateur, vous devez enlever le tube d'aspirateur et le sac de ramassage et installer le tube de souffluse et le bec avant de faire ces réglages.

- Faites démarrer le moteur. Laissez-le tourner à pleins gaz pendant 3 minutes pour le réchauffer. Le moteur doit être à sa température de fonctionnement avant qu'un bon réglage de carburateur puisse être fait.

RÉGLAGE DU RALENTI

- Laissez le moteur fonctionner au ralenti.
- Tournez la vis du ralenti (Illustration 20) jusqu'à ce que le moteur continue à tourner, sans s'arrêter.
 - Pour augmenter la vitesse du moteur, tournez la vis dans le sens de l'horloge, si le moteur s'arrête ou meurt.
 - Pour ralentir le moteur, tournez la vis dans le sens contraire de l'horloge.
- Si la performance est satisfaisante, aucun autre réglage n'est nécessaire.

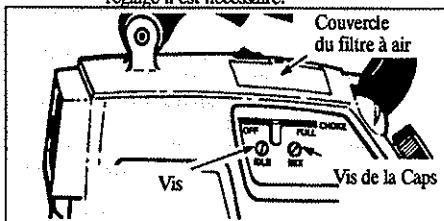


Illustration 20

RÉGLAGE DU MÉLANGE

ATTENTION: Pendant que vous faites un réglage du mélange, ne laissez pas fonctionner le moteur à pleins gaz pendant des périodes prolongées car cela pourrait l'endommager.

- Faites démarrer le moteur

REMARQUE— Couvrez les deux étapes suivantes à pleins gaz.

- Tournez la vis de mélange (III. 20) dans le sens contraire de l'horloge, jusqu'à ce qu'elle s'arrête. Pour éviter de l'endommager, n'essayez pas de la tourner plus loin que ses butées.
- Tournez la vis lentement au minimum dans le sens de l'horloge, jusqu'à ce que le moteur tourne en douceur. N'essayez pas de la tourner plus loin que sa butée, cela pourrait l'endommager.

ATTENTION: Si le moteur ne fonctionne pas selon ces instructions, après que ces étapes aient été répétées, n'utilisez pas l'outil et emportez-le à votre centre de service autorisé.

BOUGIE — Remplacez la bougie chaque année.

TABLEAU DE DÉPANNAGE

PROBLÈME	CAUSE	REMEDE
Le moteur ne démarre pas	<ol style="list-style-type: none"> 1. Interrupteur d'allumage sur OFF. 2. Moteur noyé. 3. Réservoir d'essence vide. 4. La bougie ne fait pas feu. 5. L'essence ne se rend pas au carburateur. 6. Compression basse. 	<ol style="list-style-type: none"> 1. Mettre le bouton sur "On". 2. Voir "Instructions de démarrage". 3. Remplir du bon mélange de carburant. 4. Poser une bougie neuve. 5. Nettoyer le filtre à essence. Voir si le tuyau d'essence est entortillé ou fendu-Réparer ou remplacer. 6. Communiquez avec votre Centre de service
Le moteur refuse de fonctionner correctement au ralenti	<ol style="list-style-type: none"> 1. Ralenti réglé trop lent. 2. Ralenti réglé trop vite. 3. Réglage de la vis de mélange requis. 4. Joints du vibrequin usés. 5. Compression basse. 	<ol style="list-style-type: none"> 1. Tourner la vis du ralenti dans le sens de l'horloge pour augmenter la vitesse. 2. Tourner la vis du ralenti dans le sens contraire de l'horloge pour réduire la vitesse. 3. Voir "Réglages du carburateur". 4. Communiquez avec votre Centre de service. 5. Communiquez avec votre Centre de service.
Le moteur refuse d'accélérer, manque de force ou meurt sous la charge.	<ol style="list-style-type: none"> 1. Filtre à air sale. 2. Bougie encrassée. 3. Le carburateur exige un réglage. 4. Accumulation de carbone. 5. Compression basse. 	<ol style="list-style-type: none"> 1. Nettoyer ou remplacer le filtre à air. 2. Nettoyer ou remplacer la bougie et réajuster l'écartement. 3. Voir "Réglages du carburateur". 4. Communiquez avec votre Centre de service. 5. Communiquez avec votre Centre de service.
Le moteur fuse excessivement	<ol style="list-style-type: none"> 1. Étrangleur partiellement enclenché. 2. Mélange d'essence incorrect. 3. Filtre à air sale. 4. La vis de mélange exige un réglage. 	<ol style="list-style-type: none"> 1. Mettre l'étrangleur dans la bonne position. 2. Vider le réservoir et remplir ensuite du bon mélange de carburant. 3. Nettoyer ou remplacer le filtre à air. 4. Voir "Réglages du carburateur".
Le moteur surchauffe	<ol style="list-style-type: none"> 1. Mélange d'essence incorrect. 2. Mauvaise bougie 3. Mauvais réglage de la vis de mélange. 4. Accumulation de carbone. 	<ol style="list-style-type: none"> 1. Voir "Remplissage du réservoir de carburant" 2. Remplacer par la bougie recommandée. 3. Voir "Réglages du carburateur". 4. Communiquez avec votre Centre de service.

ACCESSOIRES

ARTICLE	N° DE STOCK
Lunettes de sécurité	952-701645
Lunettes protectrices	952-701506
Huile POULAN/WEED EATER pour moteur 2-temps, 40 à 1	
Contenant de 3,2 oz. (95 ml)	952-030127
Contenant de 8 oz (237 ml)	952-030128
Bouchon du réservoir	952-701583
Filtre à air	952-701623
Bougie	952-030077
Nécessaire d'aspirateur (Modèle VA 1905)	952-701613
Nécessaire de nettoyage des gouttières (Modèle GA 1900)	952-701586
Pare-étincelles	530-069285





? CUSTOMER ASSISTANCE 1-800-554-6723

One of the most important priorities at POULAN/WEED EATER is customer satisfaction, especially *after* the sale. Your product has been expertly engineered and carefully manufactured to rigid quality standards to provide you with optimum performance and maximum operational lifetime. As with all mechanical products, however, making adjustments or replacing parts may be necessary during the life of your unit.

Because customer satisfaction is a major priority, POULAN/WEED EATER has established a special, toll free Customer Assistance Service to assist you with any *after-the-sale* needs. Whether you need a replacement part, an accessory, the name of your nearest sales or service dealer, or just need help in assembling your unit, our customer service representatives will be available to answer your questions.

When calling our Customer Assistance Service, please be prepared to give the description of the unit, the model number, serial number, and, if ordering parts, the part number or description of each part. Call 1-800-554-6723. Our representatives will be glad to help.

FOR SERVICE OR REPLACEMENT PARTS:

1. Consult your dealer/place of purchase.
2. Consult the yellow pages of your phone directory for the name of the nearest POULAN/WEED EATER Master Service Dealer (under "saws" for Chain Saws or under "lawnmowers" for Trimmers, Brushcutters, and Blowers).

NOTE: POULAN/WEED EATER Division provides parts and service through its authorized distributors and dealers; therefore, all requests for parts and service should be directed to your local dealer(s). The philosophy of POULAN/WEED EATER Division is to continually improve all of its products. If the operating characteristics or the appearance of your product differs from those described in this Operator's Manual, please contact your local POULAN/WEED EATER Dealer for updated information and assistance.

? NECESITA ASISTENCIA AL CLIENTE 1-800-554-6723

Una de las prioridades más importantes en POULAN/WEED EATER es la satisfacción al cliente, especialmente *después* de la venta. El producto ha sido diseñado y fabricado con esmero bajo estrictas normas de calidad para ofrecerle resultados óptimos y máxima vida operacional. No obstante, el igual que con todos los productos mecánicos, es posible que sea necesario efectuar ajustes o reemplazar piezas durante la vida de la unidad.

Debido a que la satisfacción de los clientes es una de nuestras prioridades principales, POULAN/WEED EATER tiene un número telefónico especial, sin costo, para Asistencia al Cliente con objeto de ayudarle a Ud. con cualquier necesidad después de haber comprado el equipo. Tanto si necesita una pieza de repuesto, un accesorio, el nombre de su concesionario de ventas o de servicio más cercano, o si simplemente necesita asistencia para ensamblar la unidad, nuestros representantes de asistencia al cliente están disponibles para contestar sus preguntas.

Cuando llame a nuestro servicio de asistencia al cliente, tenga a mano la descripción de la unidad, el número de modelo, el número de serie y, si desea ordenar piezas, el número de pieza o su descripción. Llame al 1-800-554-6723. Nuestros representantes lo atenderán con mucho gusto.

PARA SERVICIO O PIEZAS DE REPUESTO:

1. Consulte a su concesionario o lugar de compra del equipo.
2. Consulte las páginas amarillas de su directorio telefónico para encontrar el Concesionario Principal de Servicio POULAN/WEED EATER más cercano (bajo "sierras" para sierras de cadena o bajo "cortadoras de césped" para cortadoras de bordes, cortadoras de malezas y abanicos).

NOTA: La División POULAN/WEED EATER suministra piezas de repuesto a través de sus distribuidores y concesionarios autorizados; por lo tanto, todas las solicitudes de piezas o servicio deben dirigirse a su concesionario local. La filosofía de la División POULAN/WEED EATER es mejorar continuamente todos sus productos. Si las características de operación o la apariencia de su producto difiere de los descritos en este Manual del Operador, por favor consulte a su concesionario POULAN/WEED EATER local para obtener la información más reciente disponible y asistencia.

? AIDE AUX CONSOMMATEURS 1-800-554-6723

L'une des principales priorités de POULAN/WEED EATER est la satisfaction de ses clients, tout spécialement *après* la vente. Votre appareil a fait l'objet d'une conception d'experts et d'une soignée fabrication selon des normes de qualité très strictes pour vous assurer d'une performance optimum et de la durée d'utilisation maximum. Comme pour tous les appareils mécaniques, certains réglages ou remplacements de pièces peuvent toutefois être requis durant la vie de votre appareil.

Puisque la satisfaction de ses clients est l'un des objectifs les plus importants de POULAN/WEED EATER, cette dernière a une ligne spéciale sans frais d'aide aux consommateurs pour satisfaire tous vos besoins d'après-vente. Que vous ayez besoin d'une pièce de rechange, d'un accessoire, du nom du concessionnaire ou du centre de service le plus proche ou que vous ayez besoin d'aide dans l'assemblage de votre appareil, nos représentants du service à la clientèle se feront un plaisir de répondre à vos questions.

Quand vous appelez notre service d'aide aux consommateurs, soyez prêt à donner la description de l'appareil, le numéro de modèle, le numéro de série et, si vous commandez des pièces, le numéro de chaque pièce ou sa description. Appelez au 1-800-554-6723 et nos représentants se feront un plaisir de vous aider.

POUR RÉPARATIONS OU PIÈCES DE RECHANGE:

1. Adressez-vous à votre concessionnaire/l'endroit où vous avez acheté l'appareil.
2. Consultez les pages jaunes de votre annuaire pour y trouver le nom du Centre de service principal POULAN/WEED EATER le plus proche (sous la rubrique "Scies" pour les scies à chaîne ou "Tondeuses" pour les coupe-bordures, les coupe-broussailles et les souffleuses).

REMARQUE: La Division POULAN/WEED EATER fournit des pièces et des réparations par l'intermédiaire de ses distributeurs et concessionnaires autorisés et toutes demandes de pièces et de réparations devraient donc être adressées à votre concessionnaire local. La philosophie de POULAN/WEED EATER est de toujours améliorer tous ses articles. Si les caractéristiques de fonctionnement ou l'apparence de votre appareil diffèrent de celles décrites dans ce manuel de l'utilisateur, veuillez vous adresser à votre concessionnaire POULAN/WEED EATER local pour obtenir des renseignements à jour et de l'aide. Les pièces et réparations ne sont pas fournies directement par la Division POULAN/WEED EATER de WCI Outdoor Products Inc.

POULAN/WEED EATER
DIVISION OF WCI OUTDOOR PRODUCTS, INC.
Shreveport, Louisiana 71129 U.S.A.

530-083772-1-03/28/95

Free Manuals Download Website

<http://myh66.com>

<http://usermanuals.us>

<http://www.somanuals.com>

<http://www.4manuals.cc>

<http://www.manual-lib.com>

<http://www.404manual.com>

<http://www.luxmanual.com>

<http://aubethermostatmanual.com>

Golf course search by state

<http://golfingnear.com>

Email search by domain

<http://emailbydomain.com>

Auto manuals search

<http://auto.somanuals.com>

TV manuals search

<http://tv.somanuals.com>