

### LIMITED WARRANTY

The Manufacturer warrants to the original consumer purchaser that this product as manufactured is free from defects in materials and workmanship. For a period of two (2) years from date of purchase by the original consumer purchaser, we will repair or replace, at our option, without charge for parts or labor incurred in replacing parts, any part which we find to be defective due to materials or workmanship. This Warranty is subject to the following limitations and exclusions.

1. This warranty does not apply to the engine, transaxle/transmission components, battery (except as noted below) or components parts thereof. Please refer to the applicable manufacturer's warranty on these items.
2. Transportation charges for the movement of any power equipment unit or attachment are the responsibility of the purchaser. Transportation charges for any parts submitted for replacement under this warranty must be paid by the purchaser unless such return is requested by the manufacturer.
3. Battery Warranty: On products equipped with a Battery, we will replace, without charge to you, any battery which we find to be defective in manufacture, during the first ninety (90) days of ownership. After ninety (90) days, we will exchange the Battery, charging you 1/12 of the price of a new Battery for each full month from the date of the original sale. Battery must be maintained in accordance with the instructions furnished.
4. The Warranty period for any products used for rental or commercial purposes is limited to 45 days from the date of original purchase.
5. This Warranty applies only to products which have been properly assembled, adjusted, operated, and maintained in accordance with the instructions furnished. This Warranty does not apply to any product which has been subjected to alteration, misuse, abuse, improper assembly or installation, delivery damage, or to normal wear of the product.
6. Exclusions: Excluded from this Warranty are belts, blades, blade adapters, normal wear, normal adjustments, standard hardware and normal maintenance.
7. In the event you have a claim under this Warranty, you must return the product to an authorized service dealer.

Should you have any unanswered questions concerning this Warranty, contact:

Weed Eater  
Customer Service Department  
1030 Stevens Creek Road  
Augusta, GA 30907 USA

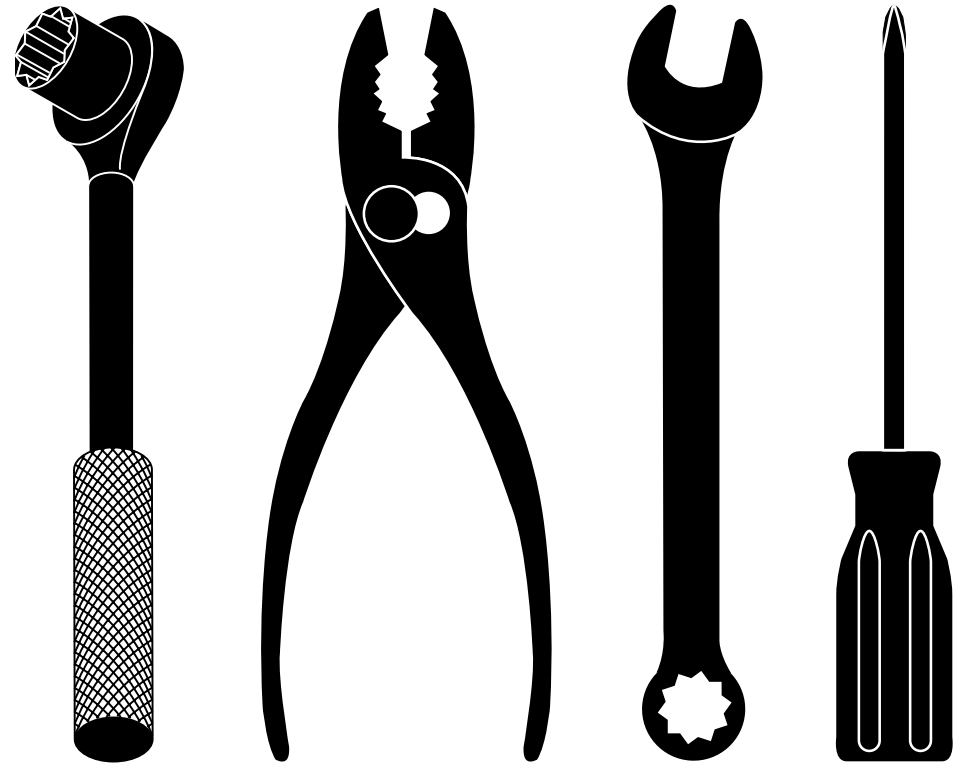
In Canada contact:  
Weed Eater  
Customer Service Department  
5855 Terry Fox Way  
Mississauga, Ontario L5V 3E4

giving the model number, serial number and date of purchase of your product and the name and address of the authorized dealer from whom it was purchased.

**THIS WARRANTY DOES NOT APPLY TO INCIDENTAL OR CONSEQUENTIAL DAMAGES AND ANY IMPLIED WARRANTIES ARE LIMITED TO THE SAME TIME PERIODS STATED HEREIN FOR OUR EXPRESSED WARRANTIES.**

Some areas do not allow the limitation of consequential damages or limitations of how long an implied Warranty may last, so the above limitations or exclusions may not apply to you. This Warranty gives you specific legal rights, and you may have other rights which vary from locale to locale.

This is a limited Warranty within the meaning of that term as defined in the Magnuson-Moss Act of 1975.



# REPAIR PARTS MANUAL MODEL NUMBER 961140007 MFG. ID. NO. 96114000717 Rotary Lawn Mower

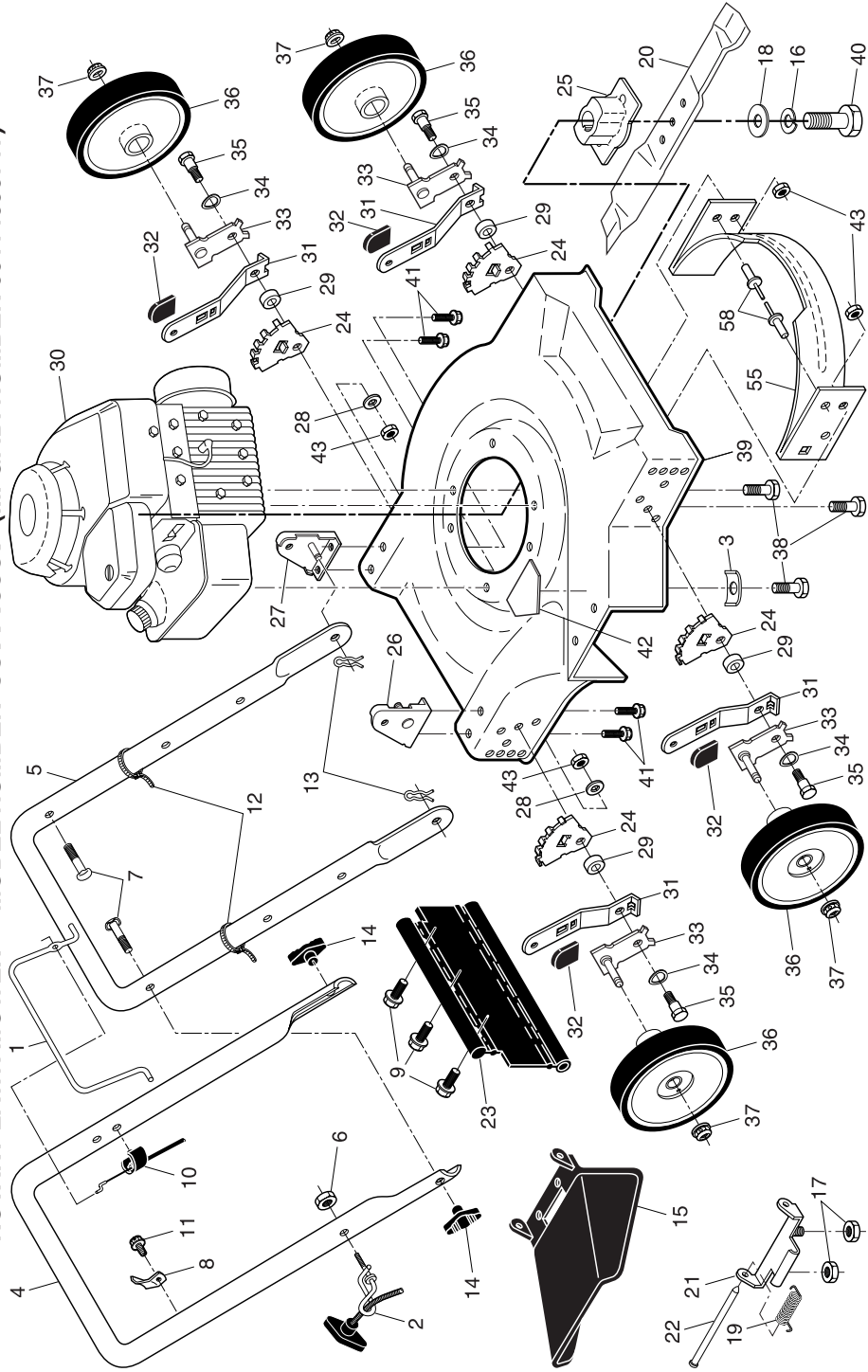
# WEED EATER®

# WEED EATER®

418057 11.15.07 BY

Printed in U.S.A.

ROTARY LAWN MOWER -- MODEL NUMBER 961140007 (MFG. ID. NUMBER 96114000717)



2

ROTARY LAWN MOWER -- MODEL NUMBER 961140007 (MFG. ID. NUMBER 96114000717)

KEY PART NO. NO.	DESCRIPTION	KEY PART NO. NO.	DESCRIPTION
1	194176X428 Control Bar	26	170345X479 Handle Bracket Assembly, RH
2	194788 Rope Guide	27	170346X479 Handle Bracket Assembly, LH
3	851201X004 Engine Washer	28	61537 Washer, Flat
4	194180X479 Upper Handle	29	401629 Spacer
5	151590X479 Lower Handle	30	---
6	132004 Nut, Hex	31	Engine, Briggs & Stratton, Model Number 9S502 (For engine service and replacement parts, call Briggs & Stratton at 1-800-233-3723)
7	191574 Handle Bolt 5/16-18 x 1-3/4	32	Selector Spring
8	86899X004 Up-Stop Bracket	33	Selector Knob
9	189241 Hex Washer Head Screw #10-24 x 1/2	34	Axle Arm Assembly
10	162778 Engine Zone Control Cable	35	Washer, Curved, Cylindrical
11	750634 Screw	36	Shoulder Bolt
12	66426 Wire Tie	37	Wheel and Tire Assembly
13	51793 Hairpin Cotter	38	Nut, Hex
14	189713X428 Knob, Handle	39	Hex Head Thread Rolling Screw 3/8-16 x 1-1/8
15	412277X428 Discharge Guard	40	Lawn Mower Housing
16	850263 Helical Lock Washer 3/8	41	Hex Head Screw 3/8-24 x 1-3/8 Grade 8
17	73800400 Locknut, Hex 1/4-20	42	Thread Cutting Screw 5/16-18 x 3/4
18	851074 Hardened Washer	43	Danger Decal
19	411832 Torsion Spring	44	Locknut, Hex 3/8-16
20	145106 Blade, 20"	45	Baffle, Front
21	88602 Hinge Deflector	58	Pop Rivet
22	150215 Hinge Rod	--	Warning Decal (not shown)
23	189240 Rear Deflector	--	Operator's Manual, English
24	407494X005 Wheel Adjusting Bracket	--	Operator's Manual, Spanish
25	850977 Blade Adapter	--	Repair Parts Manual, English

3

**IMPORTANT:** Use only Original Equipment Manufacturer (O.E.M.) replacement parts. Failure to do so could be hazardous, damage your lawn mower and void your warranty.

**NOTE:** All component dimensions given in U.S. inches. 1 inch = 25.4 mm.

## Free Manuals Download Website

<http://myh66.com>

<http://usermanuals.us>

<http://www.somanuals.com>

<http://www.4manuals.cc>

<http://www.manual-lib.com>

<http://www.404manual.com>

<http://www.luxmanual.com>

<http://aubethermostatmanual.com>

Golf course search by state

<http://golfingnear.com>

Email search by domain

<http://emailbydomain.com>

Auto manuals search

<http://auto.somanuals.com>

TV manuals search

<http://tv.somanuals.com>