

TFS14 & TFS15 “Pro” Outdoor Rock Speakers



TIC TFS14 & TFS15 Outdoor Rock Speakers Feature

- Weatherproof Design
- Teflon® sealed cabinetry
- Aluminum Grill
- Full range 200W speaker system
- 10" woofer driver
- 5" mid range driver
- 1" aluminum tweeters
- Surge protected *Revchem*®
- 8 Ohm Impedance
- Aerospace grade multi-layer composite cabinetry
- Surface mount waterproof cable connector
- Finishes: Canyon (CN) Slate (SL) or White Granite (WG)

For your records...

Manufacturers Name:	TIC Corporation	Manufacture Contact:	www.ticcorp.com (800) SPX-OMNI
TIC Model Number:	_____	Serial Number:	_____
Dealers Name:	_____	Dealers Contact:	_____
Purchase Date:	_____	Invoice/ Receipt Number:	_____

We recommend you keep your sales receipt and warranty card together with this owners guide for safe keeping and future reference.

This TIC Exterior Audio Product Conforms to all applicable:



One World, TIC Recycles



Index...

Introduction	3
Component List	4
Pre-Installation	4
Connection Cable	5
Exterior Installation	5/6
Maintenance	7
Customer Service	7
Warranty	7
Trouble Shooting	9
Technical Specifications	10

Thank You for purchasing another high quality audio product from TIC Corporation. Please read the enclosed installation guidelines carefully and thoroughly to ensure years of trouble free service from your new TIC exterior audio products.

Carefully unpack your new TIC exterior product and save all packaging materials for possible future use. Check that your new TIC product contains all system parts detailed in the Components list. Do not attempt to operate, install or use your new TIC product if any components appear missing or damaged. If so, please notify TIC Corporation or your TIC Dealer as soon as possible.

!WARNING! to avoid possible suffocation or injury please keep all plastic bags away from children and pets.

Component List...

1x	Outdoor rock speakers
1x	Weatherproof speaker cable connectors (base of units)
1x	New product offer (enclosed with literature)
1x	Instruction Manual
1x	Warranty Card



Pre-Installation...

Need Professional Help?

Please read this owners guide carefully before installation. Failure to follow these instructions fully or incorrect installation may damage your new TIC products and any third party equipment used in your new system installation. This may also Void any warranty for your new TIC products. If you are unsure of your ability to fully understand and fully complete the installation of this TIC product, please consult a professional installer.

Note: TIC Corporation always recommends that you test your product and its components prior to exterior installation. Test your components near a mains power and, if required, receiver amplifier sources somewhere convenient, perhaps inside. Ensure all components are working smoothly and correctly before exterior placement, installation and operation.

Exterior Installation...

Before you begin the installation of your new TIC outdoor product, please carefully select the locations of your new TIC products.



1

Select location.

In general;

1. Select a reasonably level surface for the installation of your new TIC outdoor speakers. For surface speakers this will prevent movement or excessive vibration during use. This will also ensure more uniform sound dispersion.
2. Ensure your new TIC outdoor speaker cables or power source if required, can easily reach your new speakers. Some people even pre-lay string as a guide ensuring that there are no obstructions or difficulties such as concrete paths or architectural feature impediments. While most if not all TIC outdoor speakers use and recommend burying the cable lightly 4-6 inches, if the cable is surface mounted you must make sure the cable is placed where it cannot be tripped over, pulled, abraded or crushed.
3. Do not place your TIC outdoor speakers in a depression or area where water pools or in the direct path of sprinklers.
4. Wherever possible avoid long term exposure of your new TIC outdoor speakers to chlorinated solvents, acids such as those often contained in fertilizers and other solvents which have the potential to eventually wear the components prematurely.
5. When installing either burial cable or TIC's in-ground outdoor speakers please be very aware of any submerged plumbing, piping such as sprinklers or irrigation and wiring already in existence.

A note on Speaker Cable;

TIC recommends the use of our SPC double insulated high quality speaker cable, however just about any reasonable speaker cable may be used including existing runs that may be in place. For standard 8Ω installations of 10 – 25ft., just about any 16/18 gauge 2 core cables can usually be used although we would prefer a double insulated or burial spec cable be used. For longer runs of 25 – 100ft. 10/14 gauge cable can be used however resistance down the line will become a contributing factor.

Please visit TIC Corporations website at www.ticcorp.com and review the Audio Installation Basics articles under Technical Resources for more in depth exterior audio and cable guidelines.



2

Run the cable.

Before actually sinking the cable, run the cable from your unit to the power source or amplifier. Ensure your cable run avoids any obstacles such as sunken sprinkler pipes or piping and electrical cable to your house. Once the cable runs are where you like them, connect your speakers and power source to ensure correct operation before sinking the cable. Disconnect the cable wire at both ends and continue.

An Important note on Polarity!

Pleasure proper polarity when connecting your new TIC outdoor speakers. This is very important and will result in poor sound reproduction and possibly equipment damage if not connected correctly. This is normally avoided by ensuring + to + and – to – or as sometimes color coded Red to Red and Black to Black from your amplified source to your speakers respectively.



3

Allow 4" of cover

Once you have tested your cable run in step 3, it is time to sink the cable. 4-6" of cover is normally recommended to offset accidental disturbance, movement of the earth etc. but your specific onsite conditions will apply. Should you wish to secure the installation of your unit then simply clamp, by way of a "U" spike etc. the cable directly beneath the unit or you may use TIC's SPPSS Security Stake available as an optional extra.



4

Connect to power source.

Reconnect the speakers and your receiver amplifier being careful to ensure correct "Polarity" matching.

Once connected properly, fill in all trenches, sit back and enjoy!



Enjoy quality, outdoor product!

Disclaimer;

TIC Corporation will in no way be held responsible for the improper or unsecured installation of this product. Any and all damage arising from the installation or use of this product is the purchaser and final installer's sole responsibility.

Maintenance...

Occasional maintenance of your TIC products cannot hurt and may help greatly. Inspect the installation area regularly removing twigs, dirt or particulate matter from impeding or building up around the output grill area. The units may be cleaned using very mild detergents like dishwashing liquid if desired. A hose with clean water may also be used but please avoid using high pressure or forcing water into the grill or acoustic ports.

In very cold climates with moderate to heavy snowfall an old trick from the major theme parks we supply world wide is to place a plastic bag over the unit for the winter or periods it may be not in use or under such snowfall.

Customer Service...

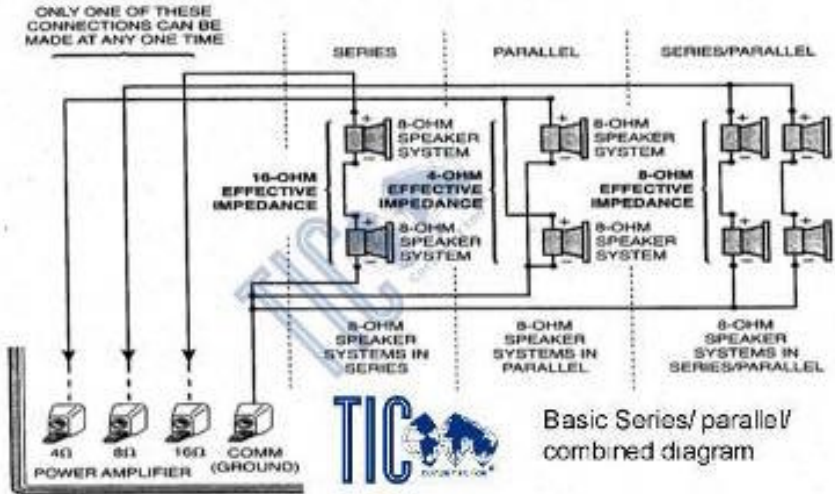
For any additional help please contact TIC Corporation at (800) SPX-OMNI, on line at www.ticcorp.com , or by email at info@ticcorp.com where we would be happy to assist you at any time. Also please visit our website for FAQ (frequently asked questions) and full contact information.

Warranty Period...

TIC Corporation offers a full, UCC approved, one year full parts and labor warranty on all its products as standard however there are other 3 and 5 year warranties in use with various TIC authorized Dealers world wide. Please check your enclosed Warranty card or your Dealer receipt to find out which one applies to you. Also please note TIC Corporation General Terms & Conditions posted on our website at www.ticcorp.com for further information.

Installation Notes...

Please note series vs. parallel installation wiring choices below;



Trouble Shooting...

Problem	Please Check
No Sound	<ul style="list-style-type: none">• Check the speakers are connected to the cable correctly.• Check the speaker cable is connected to the receiver amplifier correctly.• Check the receiver amplifier is powered “on” at the mains, is not on “mute”, has no headphones attached and that the Channels used for the exterior speakers (usually A or B) is in operation.• Refer to the owners guide that came with your receiver amplifier.• Most initial problems are connectivity, please try a different connection cable to your outdoor speakers or equipment.
No Sound from one speaker	<ul style="list-style-type: none">• Check the “balance” control on your receiver amplifier.• Check <u>all</u> connections and cable to the inoperable speaker.• 1. Disconnect the “working” speaker from the receiver amplifier connection/ channel. Switch the cord from the non-operating speaker from its current connection to the “working” speaker connection. If the speaker now works the problem is your receiver amplifier.• 2. Reconnect as original. Remove the speaker cable at the “working” speaker directly and connect it directly to the non-working speaker. If the speaker now works the problem is somewhere in the original speaker cable.• 3. If the speaker still does not work the problem is the speaker.
One speaker sounds distorted, lower volume or “different”	<ul style="list-style-type: none">• Follow same procedure as above for “No Sound”.
Treble or Bass	<ul style="list-style-type: none">• Check the “tone” setting on your receiver amplifier.• Adjust the Treble and Bass settings on your receiver amplifier.• Check the connections carefully from the amplifier to your speakers and ensure correct Phase (+ to + and – to – accordingly). Poor sound replication is expected from a speakers or speakers out of polarity or phase.

Technical Specifications...

General Specifications TIC TFS14 & TFS15 Outdoor Rock Speakers	
Woofers(s)	8" injection molded PP cone Butyl rubber surround
Mid Range	5" injection molded PP cone Butyl rubber surround
Tweeter	1" aluminum
Cabinetry	Multi-layer Composite
Grill	Multi-layer Composite
Frequency Response	27Hz – 19kHz
Sensitivity @1W/1m	89db ± 3db
Continuous/ Peak	200 / 300W
*Optional 70v system	Use TIC SP70vTA
Unit(s) Dimensions	TFS14: 18.5x21.5x18 in TFS15: 18.5x24x24 in
Unit(s) Weight	TFS14: 45 lbs TFS15: 51 lbs
Pack Dimensions	TFS14: 23x26x22 in TFS15: 22x28x26.5in
Pack Weight	TFS14: 48 lbs TFS15: 54 lbs

TIC Corporation engages in continual product research and development, new materials, production methods and design improvements. TIC Corporation therefore, reserves all rights to change or improve products specifications without notice.

TIC Corporation

15224 East Stafford Street

City of Industry, CA. 91744-4418 U.S.A.

Tel: (800) 779-6664 (5 lines) Fax: (800) 968-1363

Email: info@ticcorp.com WWW: www.ticcorp.com

Free Manuals Download Website

<http://myh66.com>

<http://usermanuals.us>

<http://www.somanuals.com>

<http://www.4manuals.cc>

<http://www.manual-lib.com>

<http://www.404manual.com>

<http://www.luxmanual.com>

<http://aubethermostatmanual.com>

Golf course search by state

<http://golfingnear.com>

Email search by domain

<http://emailbydomain.com>

Auto manuals search

<http://auto.somanuals.com>

TV manuals search

<http://tv.somanuals.com>