
QUICKSTART GUIDE

MODEL 3000TA-XL-EU

Trace Oxygen Analyzer

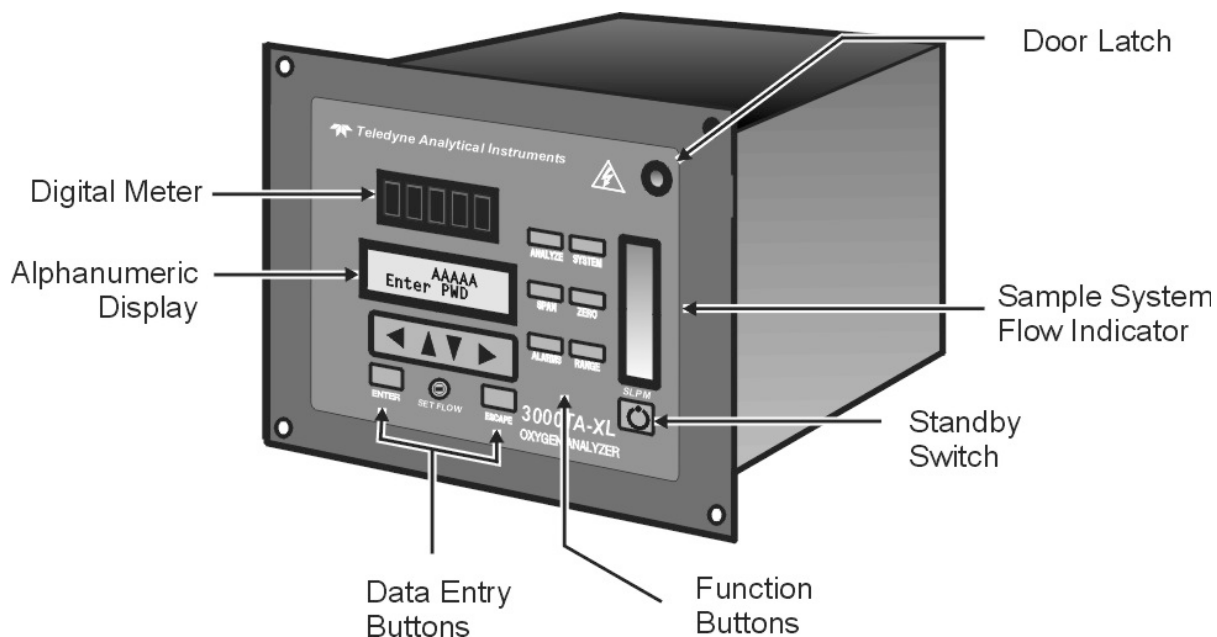


GETTING STARTED

This Quickstart Guide is designed to get you set up and operating your Teledyne Analytical Instruments Analyzer quickly. It shortcuts the details so you can install and use your new analyzer with a minimum of fuss. This Quickstart Guide should be used in conjunction with the Instruction Manual that shipped with your instrument. Only necessary features to get you operational are discussed in this guide. Many of the advanced features of this analyzer are not described here so you should refer to the Instruction Manual to get the most from your analyzer.

Front Panel (Operator Interface)

Take a minute to familiarize yourself with the analyzer's interface. The standard 3000TA-EU is housed in a rugged metal case with all controls and displays accessible from the front panel. The operator interface consists of thirteen buttons for operating the analyzer, a digital meter, an alphanumeric display, and a window for viewing the sample flowmeter.



Function Keys:

Six touch-sensitive membrane switches are used to change the specific function performed by the analyzer:

- **Analyze** Perform analysis for oxygen content of a sample gas.
- **System** Perform system-related tasks (described in detail in chapter 4, *Operation*).
- **Span** Span calibrate the analyzer.
- **Zero** Zero calibrate the analyzer.
- **Alarms** Set the alarm setpoints and attributes.
- **Range** Set up the 3 user definable ranges for the instrument.

Data Entry Keys:

Six touch-sensitive membrane switches are used to input data to the instrument via the alphanumeric VFD display:

- **Left & Right Arrows** Select between functions currently displayed on the VFD screen.
- **Up & Down Arrows** Increment or decrement values of functions currently displayed.
- **Enter** Advances VFD display to the next screen in a series or returns to the *Analyze* screen if none remain.
- **Escape** Backs VFD display to the previous screen in a series or returns to the *Analyze* screen if none remain.

Digital Meter Display:

The meter display is a Light Emitting Diode (LED) device that produces large, bright, 7-segment numbers that are legible in any lighting. It produces a continuous readout from 0-10,000 ppm and then switches to a continuous percent readout from 1-25%.

Alphanumeric Interface Screen

The VFD screen displays values, options, and messages for immediate feedback.

Set Flow:

Needle valve used to adjust flow of gas sample

Flowmeter:

Monitors the flow of gas past the sensor. Readout is 0.2 to 2.4 SLPM of nitrogen.

Standby Button:

The Standby turns off the display and outputs, but circuitry is still operating.

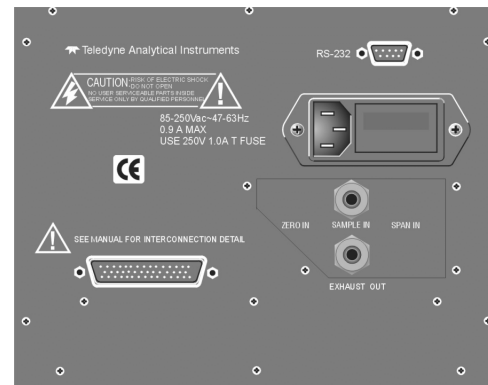
Access Door:

For access to the Micro-fuel Cell, the front panel swings open when the latch in the upper right corner of the panel is pressed all the way in.

Rear Panel (Equipment Interface)

At the rear panel you make the gas and electrical connections to the instrument.

- **Power Connection:** Universal AC power source.
- **Gas Inlet and Outlet:** One inlet and one exhaust out.
- **RS-232 Port :** Serial digital concentration signal output and control input.
- **Equipment Interface Connector:** Interconnections for analyzer functions including:
 - **Analog Outputs:** 0–1 VDC oxygen concentration plus 0-1 VDC range ID, and isolated 4–20 mA DC oxygen concentration plus 4-20 mA DC range ID.
 - **Alarm Connections:** 2 concentration alarms and 1 system alarm.
 - **Remote Probe:** Used in the 3000TA -EU for controlling external solenoid valves only.
 - **Remote Span/Zero:** Digital inputs allow external control of analyzer calibration.
 - **Calibration Contact :** To notify external equipment that instrument is being calibrated and readings are not monitoring sample.
 - **Range ID Contacts:** Four separate, dedicated, range relay contacts. Low, Medium, High, Cal.
 - **Network I/O:** Serial digital communications for local network access. For future expansion. Not implemented at this printing.



SETUP AND INSTALL

Mount the Analyzer

The Model 3000TA -EU is for indoor use in a general purpose area. It is NOT for hazardous environments of any type. It is designed for flush panel mounting. Use the four mounting holes—one in each corner of the rigid frame to panel mount the instrument.

Make Gas Connections

Note: Do not remove plastic caps on VCR fittings, unless you are ready to make connections.

The analyzer is equipped with 1/4 inch tube fittings, and 6 mm adapters are supplied for metric system installations.

1. Connect your sample gas to the SAMPLE IN port.
2. Connect a vent line to EXHAUST OUT port.
3. Calibration gases should be tee'd into the sample inlet with appropriate valves.
4. Regulate the sample gas pressure between 2 and 50 psig sufficient to keep the front panel flowmeter reading in an acceptable range (0.5 to 2.0 SLPM). For non-pressurized sample or very low pressure, (less than 2 psig) vacuum service plumbing is recommended.
5. If greater sample flow is required for improved response time, install a bypass in the sampling system upstream of the analyzer input.
6. For optional vacuum application where the sample pressure is at atmospheric or very low pressure, the instrument should be fitted with the vacuum service option. This option locates the flow control valve on the exhaust side of the Micro-fuel Cell.

Note: Exhaust connections must be consistent with the hazard level of the constituent gases. Check Local, State, and Federal laws, and ensure that the exhaust stream vents to an appropriately controlled area, if required.

Electrical Connections

CAUTION: READ ALL SAFETY INFORMATION REGARDING ELECTRICAL HAZARDS ASSOCIATED WITH THIS INSTRUMENT BEFORE MAKING ELECTRICAL CONNECTIONS.

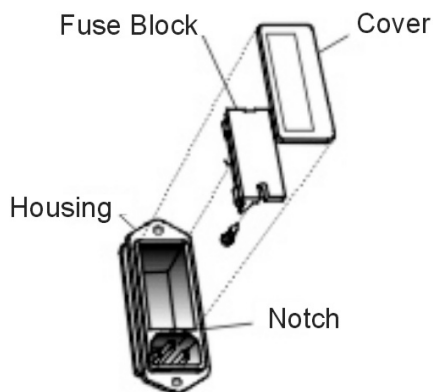


CAUTION: POWER IS APPLIED TO THE INSTRUMENT'S CIRCUITRY AS LONG AS THE INSTRUMENT IS CONNECTED TO THE POWER SOURCE. THE RED SWITCH ON THE FRONT PANEL IS FOR SWITCHING POWER ON OR OFF TO THE DISPLAYS AND OUTPUTS ONLY.



- **Connect primary input power:**
Insert the power cord into the power cord receptacle.
- **Install the fuse:**
Fuses are not installed at the factory. Be sure to install the proper fuse as part of installation.

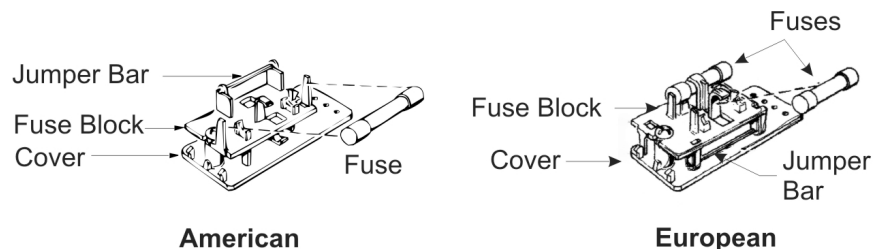
Place small screwdriver in notch, and pry cover off, as shown in the figure.



To change between American and European fuses, remove the single retaining screw, flip fuse block over 180 degrees, and replace screw.

Replace fuse as shown below.

Reassemble Housing



- **Install 50-Pin Equipment Interface Connector**
Connect the 50 pin connector to the mating connector on the rear panel.
- **Connect the 9-pin D connector to the RS-232 serial port.**
See Section 3.3.2.3 in the Instruction Manual for information on setting up serial communication for this instrument.

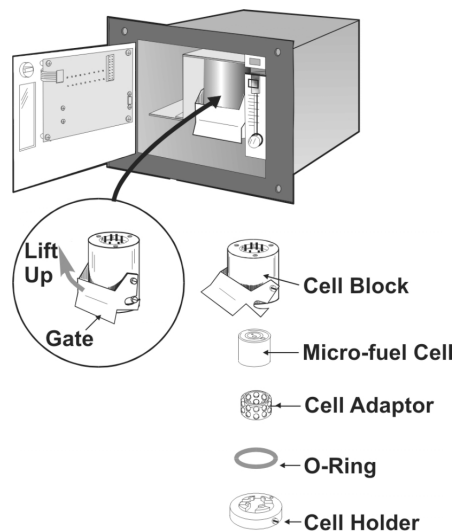
Install the Micro-fuel Cell

The Model 3000TA-XL-EU can be equipped with either the standard B-2CXL Micro-fuel Cell or as an option, Teledyne's Insta Trace cell.

B-2CXL Micro-fuel Cell

To install this cell:

1. Remove power to the instrument.
2. Open the front panel door.
3. With one hand placed underneath the cell block ready to catch the Micro-Fuel cell, lift up on the stainless steel gate in front of the cell block. This releases the cell and cell holder from the block. The cell and holder will fall out in your hand.



CAUTION: THE CELL IS SHIPPED SEPARATELY INSIDE TWO BAGS FILLED WITH OXYGEN-FREE INERT GAS. USE CARE TO AVOID EXPOSING THE CELL TO AIR FOR ANY LONGER THEN NECESSARY TO INSTALL THE ITEM.



Insta-Trace Micro-fuel Cell

Note: The Insta Trace Micro-fuel Cell has a short recovery time after ambient air exposure, however minimizing this exposure still reduces the recovery time necessary.

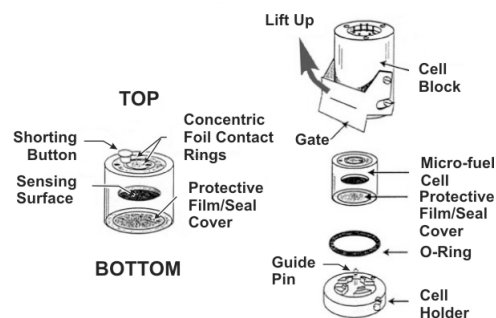
CAUTION: DO NOT TOUCH THE SENSING SURFACE OF THE CELL. IT IS COVERED WITH A DELICATE TEFLON MEMBRANE THAT CAN LEAK WHEN PUNCTURED.



1. Place the cell on the holder with the screen side facing down.

Note: There is a small location hole drilled in the holder. This hole mates with a guide pin on the bottom rear of the cell block. The hole in the cell block holder must align with the guide pin on the cell block.

2. Remove power from the instrument.
3. Remove the old sensor (if installed). Discard in accordance with all Federal, State, Local or other regulations which may apply.
4. Purge the analyzer at approximately 1 SCFH flow rate with nitrogen (or applicable sample gas with the sensor holder removed).
5. Remove the new sensor from its double bag storage.
6. Remove the sensor shorting button.
7. Place the sensor inside the cell block.
8. Hold the sensor up into the block while positioning the cap under the sensor. Vigorously push the cell holder with the sensor into the cell block, thus puncturing the protective film/seal cover.
9. Push the gate on the cell block down so that the slots on the side of the gate engage the locating screws on the side of the block. This forces the holder into position and forms a gas-tight seal.
10. Purge the system using sample or zero gas.
11. Power the system back up.



The Insta Trace sensor will typically reach a stable low value within 30 minutes or less after installation.

BASIC OPERATION

Once the analyzer has been installed, it can be configured for your application. Prior to using the instrument you must:

- Calibrate the instrument
- Define the analysis ranges and choose whether to use autoranging or a fixed range.
- Set alarm setpoints and modes of alarm operation.

Additional configuration parameters are available to tailor the instrument to your particular application. Refer to the Instruction Manual for specific information on setting of additional system parameters.

Default Configuration

The default analyzer configuration is as follows:

Ranges: LO = 1 ppm, MED = 10 ppm, HI = 100 ppm.

Auto Ranging: ON

Alarm Relays: Defeated, 10.00 ppm, HI, Not failsafe, Not latching.

Zero: Auto, every 0 days at 0 hours.

Span: Auto, at 000,008.00 ppm, every 0 days at 0 hours.

If you choose not to use password protection, the default password is automatically displayed on the password screen when you start up, and you simply press *Enter* for access to all functions of the analyzer.

Using the Data Entry and Function Buttons

The ◀▶ arrow buttons select options from the menu currently being displayed on the display. When selected, the option blinks.

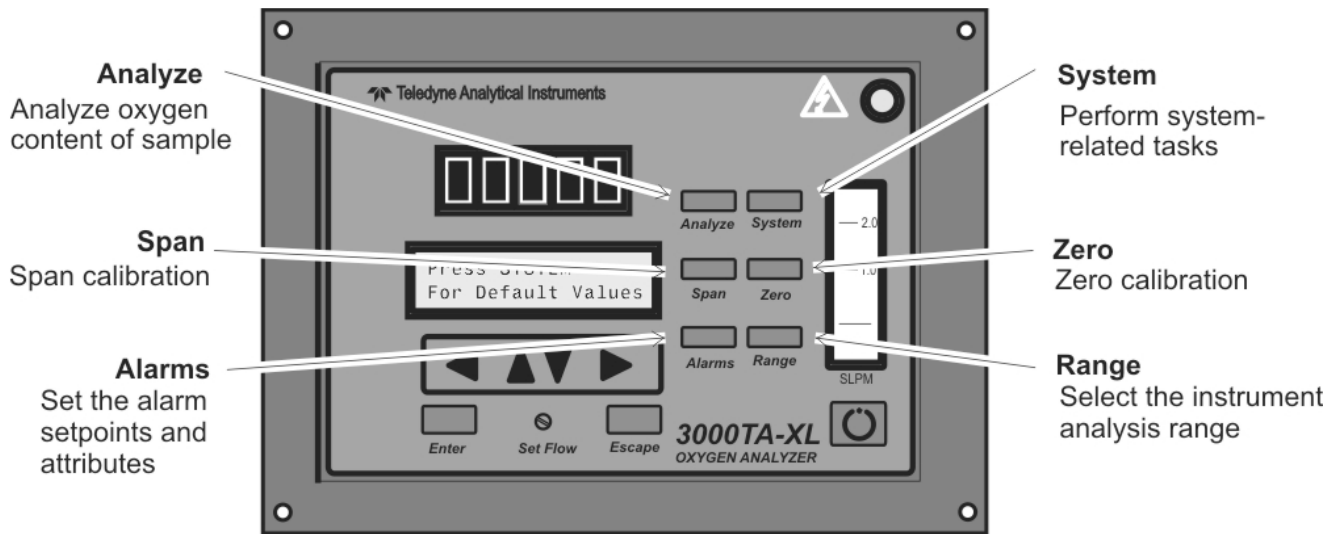
When the selected option includes a modifiable item, the ▲▼ arrow buttons can be used to increment or decrement that modifiable item.

The *Enter* button is used to accept any new entries on the VFD screen.

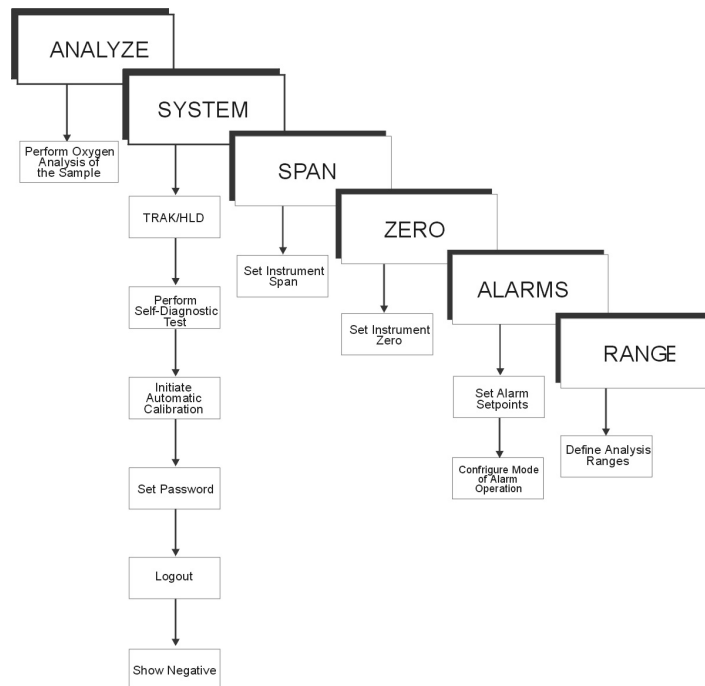
The *Escape* button is used to abort any new entries on the VFD screen that are not yet accepted by use of the *Enter* button.

Available Functions

The six function buttons are used to control the analyzer.



Some functions have submenus that allow additional choices as shown below.



Any function can be selected at any time by pressing the appropriate button (unless password restrictions apply).

Password Protection

If a password is assigned, then setting the following system parameters can be done only after the password is entered: span and zero settings, alarm setpoints, analysis range definitions, switching between autoranging and manual override, setting up an auto-cal, and assigning a new password. However, the instrument can still be used for analysis or for initiating a self-test without entering the password.

If you have decided not to employ password security, use the default password TETAI. This password will be displayed automatically by the microprocessor. The operator just presses the *Enter* key to be allowed total access to the instrument's features.

Note: If you use password security, it is advisable to keep a copy of the password in a separate, safe location.

Entering the Password

To install a new password or change a previously installed password, you must key in and *Enter* the old password first. If the default password is in effect, pressing the *Enter* button will enter the default TETAI password for you.

- Press *System*

TRAK/HLD Auto—Cal
PSWD Logout More

- Use the ◀▶ arrow keys to scroll the blinking over to **PSWD**,
- Press *Enter* to select the password function.
Either the default TETAI password or AAAAA place holders for an existing password will appear on screen depending on whether or not a password has been previously installed.

T E T A I
Enter PWD

—or—

A A A A A
Enter PWD

- If you are not using password protection, press *Enter* to accept TETAI as the default password. If a password has been previously installed, enter the password using the

◀▶ arrow keys to scroll back and forth between letters, and the ▲▼ arrow keys to change the letters to the proper password.

- Press *Enter* to enter the password.

```
Change Password?
<ENT>=Yes <ESC>=No
```

- Press *Escape*.

Calibration of the Analyzer

For trace analysis, the analyzer must be purged before calibration. Refer to the Instruction manual for purging procedure.

Zero Calibration

Make sure an appropriate zero gas is connected to the sample port for this procedure.

Auto Mode Zero Calibration

- Press *Zero* to enter the zero function mode.
- Use the ▲▼ arrow keys to toggle between **AUTO** and **MAN** zero settling. Stop when **AUTO** appears blinking.

```
Zero: Settling: AUTO
<ENT> To Begin
```

- Press *Enter* to begin zeroing.

```
#### PPM Zero
Slope=#### ppm/s
```

•

•

•

```
#### PPM Zero
4 Left=### ppm/s
```

The zeroing process will automatically conclude when the output is within the acceptable range for a good zero. Then the analyzer automatically returns to the Analyze mode.

Manual Mode Zeroing

- Press **Zero** to enter the Zero function.
- Use the **▲▼** keys to toggle between **AUTO** and **MAN** zero settling. Stop when **MAN** appears, blinking, on the display.

```
Zero: Settling: Man
<ENT> To Begin
```

- Press **Enter** to begin the zero calibration.

```
#### ppm Zero
Slope=#### ppm/s
```

Once zero settling is completed, the instrument automatically returns to the Analyze mode.

Span Calibration

Make sure an appropriate span gas is connected to the sample port.

Auto Mode Spanning:

- Press **Span** to enter the span function.
- Use the arrow keys to toggle between **AUTO** and **MAN** span settling. Stop when **AUTO** appears, blinking on the display.

```
Span: Settling: AUTO
<ENT> For Next
```

- Press **Enter**.

```
Calib. Holding time
Cal hold: 5 min
```

- Press **Enter** to move to the next screen.

```
Span Val: 00008.00
<ENT>Span <UP>Mod #
```

- Use the **▲▼** arrow keys to enter the oxygen-concentration mode. The **◀▶** arrows choose the digit, and the **▲▼** arrows choose the value of the digit. When you have finished typing in the concentration of the span gas you are using, press **Enter** to begin the span calibration.

```
#### ppm Span
Slope=#### ppm/s
```

The instrument automatically returns to the Analyze mode at the conclusion of the auto span cycle..

Manual Mode Spanning:

- Press *Span* to start the Span function.

```
Span: Settling:MAN
<ENT> For Next
```

- Use the ▲ ▼ keys to toggle between **AUTO** and **MAN** span settling. Stop when **MAN** appears, blinking, on the display. Press *Enter* to move to the next screen.

```
Calib. Holding time
Cal hold: 5 min
```

- Press *Enter* key to continue.

```
Span Val: 000008.00
<ENT>Span <UP>Mod #
```

- Press ▲ (<UP>) to permit modification (**Mod #**) of span value.
- Use the arrow keys to enter the oxygen concentration of the span gas you are using (209000.00 if you are using air). The ◀ ▶ arrows choose the digit, and the ▲ ▼ arrows choose the value of the digit.
- Press *Enter* to enter the span value into the system and begin the span calibration.

```
#### % Span
Slope=#### ppm/s
```

- When the Span value displayed on the screen is sufficiently stable, press *Enter* and the span reading changes to the correct value.

The instrument automatically returns to the Analyze mode.

Setting Alarm Parameters

If you are using password protection, you will need to enter your password to access the alarm functions. Follow the instructions above for *Entering the Password* to enter your password. Once you have clearance to proceed, you can set the alarms.

- Press the *Alarm* button on the front panel to enter the Alarm function. Make sure that **AL-1** is blinking.

AL-1 AL-2
Choose Alarm

- Using the ◀▶ arrow keys to move the blinking over to AL-1. Then press *Enter*.

AL-1 1000 ppm HI
Dft-N Fs-N Ltch-N

Five parameters can be changed on this screen:

- Value of the alarm setpoint, **AL-1 #####** ppm (oxygen); value can be set from 0.00 to 10,000.00 ppm
- Out-of-range direction, **HI** or **LO**
- Defeated? **Dft-Y/N** (Yes/No)
- Failsafe? **Fs-Y/N** (Yes/No)
- Latching? **Ltch-Y/N** (Yes/No).
- To change any of the alarm parameters, use the ◀▶ arrow keys to move the blinking over to the specific parameter.
- Use the ▲▼ arrow keys to change the value of the parameter. Holding down the key speeds up the incrementing or decrementing.
- Once the parameters for alarm 1 have been set, press *Alarms* again, and repeat this procedure for alarm 2 (**AL-2**).
- To reset a latched alarm, go to **Dft-** and then press either ▲ two times or ▼ two times. (Toggle it to Y and then back to N.)

—or—

Go to **Ltch-** and then press either ▲ two times or ▼ two times. (Toggle it to N and back to Y.)

Set The Range Function

To set the 3 programmable ranges:

- Enter the range function mode by pressing the *Range* button on the front panel.

L-1 M-10
H-100 Mode-AUTO

- Use the ◀▶ arrow keys to blink the range to be set: low (L), medium (M), or high (H).
- Use the ▲▼ arrow keys to enter the upper value of the range (all ranges begin at 0 ppm). Repeat for each range you want to set.
- Press *Enter* to accept the values and return to analyze mode.

Note: The ranges must be increasing from low to high, for example, if range 1 is set as 0–100 ppm and range 2 is set as 0–1,000 ppm, range 3 cannot be set as 0– 500 ppm since it is lower than range 2.

Fixed Range or Autoranging Analysis

To switch from autoranging to fixed range analysis:

- Enter the range function by pressing the *Range* button.
- Use the ◀▶ arrow keys to move the blinking over **AUTO**.
- Use the ▲▼ arrow keys to switch from **AUTO** to **FX/LO**, **FX/MED**, or **FX/HI** to set the instrument on the desired fixed range (low, medium, or high).

L—1 M—10
H—100 Mode—FX/LO

—or—

L—1 M—10
H—100 Mode—FX/MED

—or—

L—1 M—10
H—100 Mode—FX/HI

Press *Escape* to re-enter the analyze mode using the fixed range.

The Analyze Function

Normally, all of the functions automatically switch back to the Analyze function when they have completed their assigned operations. Pressing the *Escape* button in many cases also switches the analyzer back to the Analyze function. Alternatively, you can press the *Analyze* button at any time to return to analyzing your sample.

Free Manuals Download Website

<http://myh66.com>

<http://usermanuals.us>

<http://www.somanuals.com>

<http://www.4manuals.cc>

<http://www.manual-lib.com>

<http://www.404manual.com>

<http://www.luxmanual.com>

<http://aubethermostatmanual.com>

Golf course search by state

<http://golfingnear.com>

Email search by domain

<http://emailbydomain.com>

Auto manuals search

<http://auto.somanuals.com>

TV manuals search

<http://tv.somanuals.com>