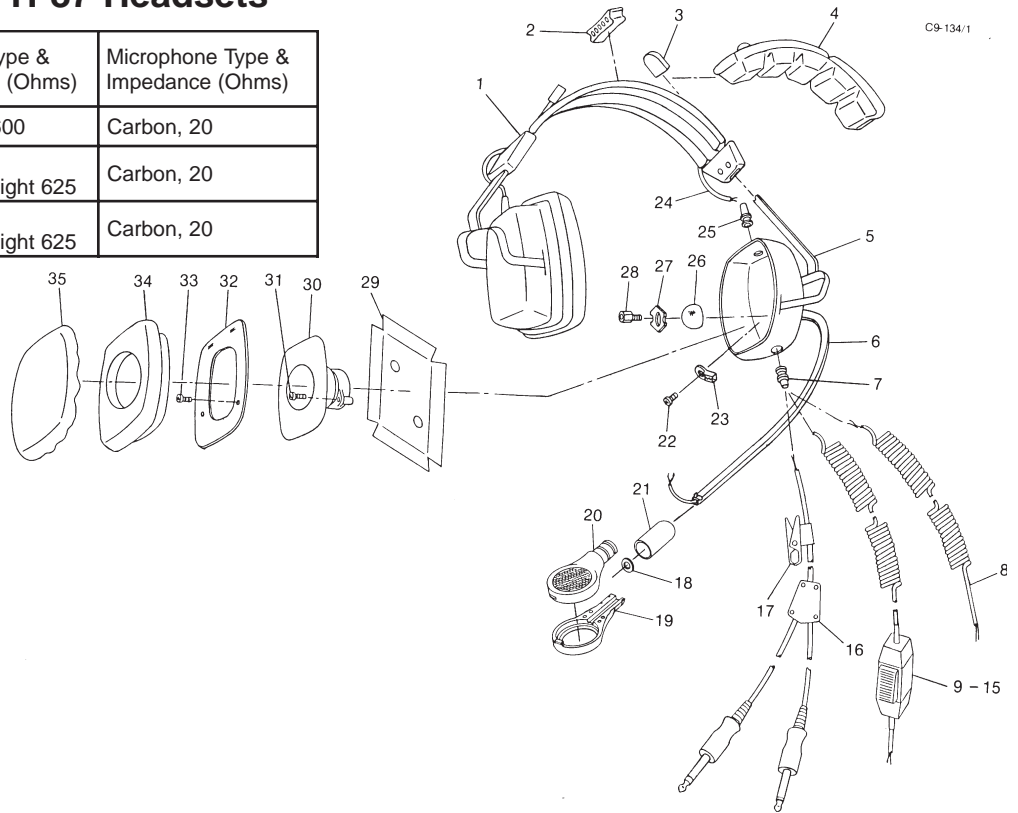


## Parts List and Wiring Diagrams



### Models PH-45/PH-85/PH-87 Headsets

Model No.	Catalog No.	Receiver Type & Impedance (Ohms)	Microphone Type & Impedance (Ohms)
PH-45	64437-001	Dynamic, 600	Carbon, 20
PH-85	64437-005	Magnetic Left 275, Right 625	Carbon, 20
PH-87	64437-004	Magnetic Left 275, Right 625	Carbon, 20

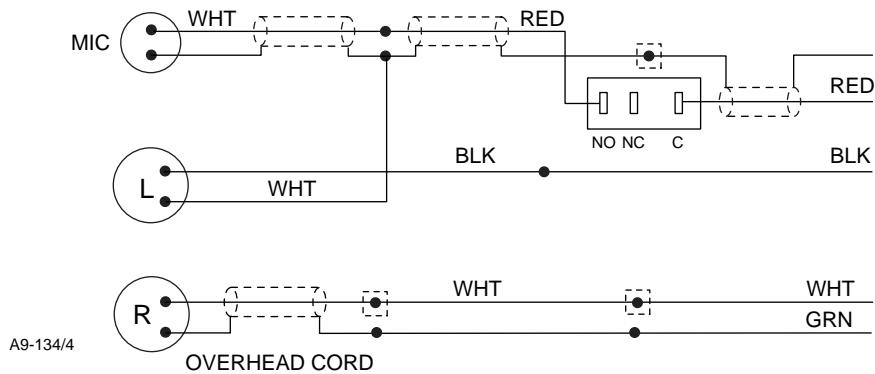
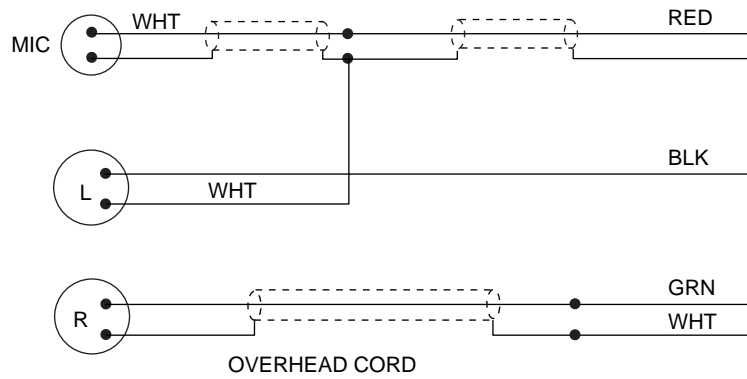
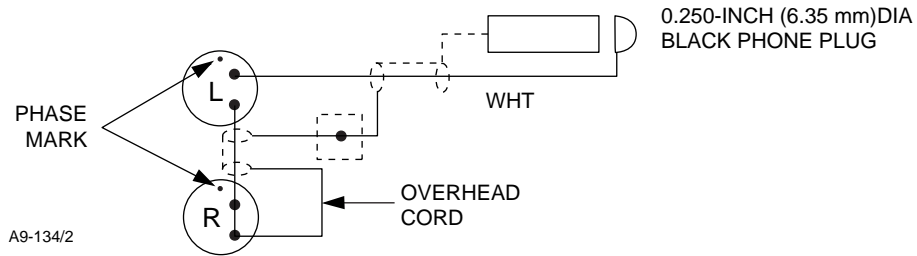
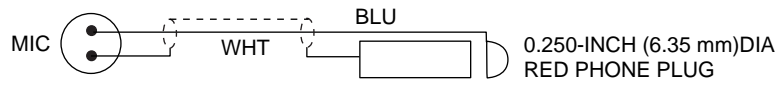


ITEM NO.	DESCRIPTION	MODEL/QTY			PART NO.	ITEM NO.	DESCRIPTION	MODEL/QTY			PART NO.
		PH-45	PH-85	PH-87				PH-45	PH-85	PH-87	
1	Headband Assy	1	1	1	61162-044	19	Housing, Mic Bottom	1	1	1	61614-011
2	Headband Spacer	1	1	1	63709-000	20	Mic Element-Housing Assy	1	1	1	70398-005
3	Slider Tip	2	2	2	61166-005	21	Adapter Cap	1	1	1	61564-012
4	Headpad	1	1	1	63801-000	22	Screw, No. 6-20 x 1/4	1	1	1	51856-008
5	Earcup-Yoke-Slider Assy, Boom Side <sup>1</sup>	1	1	1	70398-028	23	Terminal	1	NA	1	54462-000
	Earcup-Yoke-Slider Assy, Boomless Side <sup>1</sup>	1	1	1	70398-027		Terminal	NA	1	NA	54462-001
6	Boom Arm-Ball Half-Cord Kit <sup>2</sup>	1	1	1	70398-004	24	Cord Assy, Overhead	1	1	1	60051-189
7	Strain Relief	1	NA	1	63456-007	25	Strain Relief	2	2	2	63488-001
	Strain Relief	NA	1	NA	63465-005	26	Ball Half <sup>3</sup>	1	1	1	63451-002
8	Coil Cord Assy, Unterminated	NA	1	NA	19652-032	27	Ball Joint Spring	1	1	1	63453-000
9	Coil Cord Assy w/PTT Switch, Complete	NA	NA	1	19693-003	28	Hex Spacer	2	2	2	57907-000
10	Switch Housing, Front	NA	NA	1	62981-000	29	Foam Liner	2	2	2	63763-000
11	Switch Housing	NA	NA	1	63176-000	30	Foam-Rcvr Element-Boot Assy	2	NA	NA	70398-017
12	Screw, No. 2-56 x 1/2	NA	NA	4	51856-003		Foam-Rcvr Element-Boot Assy, Boom Side	NA	1	1	70398-020
13	Button	NA	NA	1	62979-000		Foam-Rcvr Element-Boot Assy, Boomless Side	NA	1	1	70398-019
14	Spring Pin	NA	NA	2	50087-181	31	Screw, No. 4-40 x 1/4	4	4	4	51856-024
15	Switch, SPST	NA	NA	1	54578-000	32	Earplate	2	2	2	63751-000
16	Y-Cord Assy w/Plugs	1	NA	NA	60074-111	33	Screw, No. 4-40 x 1/4	4	4	4	51845-038
17	Clothing Clip	1	NA	NA	63097-002	34	Ear Cushion	2	2	2	63444-000
18	Retainer	1	1	1	02852-000	35	Ear Cushion Cover	2	2	2	35772-000

- 1 One (1) slider tip (item no. 3) is supplied with this part. Slider tip should be glued to slider using an epoxy adhesive.
- 2 Kit contains one (1) boom arm, one (1) boom cord, and one (1) ball half preassembled with installation instructions.
- 3 Quantity two (2) required per Headset, but one (1) is supplied as part of boom arm-ball half-cord kit (Item No. 6).

19693, B  
63502, A6  
61171, A21  
64437, Y  
35772-000

# WIRING DIAGRAMS



# TELEX®

TELEX COMMUNICATIONS, INC. • 12000 Portland Ave. S., Burnsville, MN 55337 U.S.A.

## Free Manuals Download Website

<http://myh66.com>

<http://usermanuals.us>

<http://www.somanuals.com>

<http://www.4manuals.cc>

<http://www.manual-lib.com>

<http://www.404manual.com>

<http://www.luxmanual.com>

<http://aubethermostatmanual.com>

Golf course search by state

<http://golfingnear.com>

Email search by domain

<http://emailbydomain.com>

Auto manuals search

<http://auto.somanuals.com>

TV manuals search

<http://tv.somanuals.com>