

AUDIOCOM™ INTERCOM SYSTEMS

MODEL PS-1 FLUSH-MOUNT POWER SUPPLY

INSTALLATION AND OPERATION INSTRUCTIONS

GENERAL DESCRIPTION

The Telex Audiocom™ Model PS-1F Power Supply mounts in a standard two-gang electrical outlet box. It may be used to power a single intercom channel containing up to 25 belt-pack headset stations. It may also be used as a local power source for speaker stations such as the Telex Model IC-2SF.

SPECIFICATIONS

Power Requirements: 105-125 Vac, 50-60 Hz, 30 watts

Output Voltage: 24 Vdc regulated (less than 50 millivolts ripple)

Output Current:

- 500 milliamps maximum continuous
- 700 milliamps maximum intermittent
- 240 milliamps short circuit current limiting

Channel Terminating Impedance (provided by PS-1F): 300 ohms \pm 15%

Connectors:

- Intercom Channel: Three screw terminals with wire clamps for No. 14-22 AWG stranded or solid wire
- Power: Three wire pigtails

WARNING

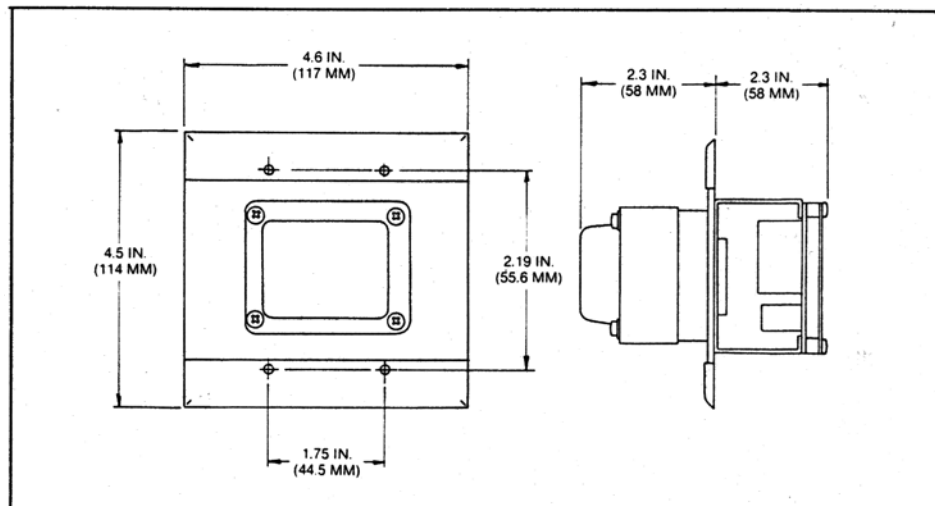
THE PS-1F REQUIRES CONNECTION OF LINE VOLTAGE AND LOW VOLTAGE WIRING IN THE SAME OUTLET BOX. ANY INSTALLATION OF THIS UNIT MUST MEET ALL RELEVANT NATIONAL AND LOCAL ELECTRICAL CODES.

INSTALLATION

1. Ac power should be supplied from a circuit protected by a service fuse or circuit breaker with a maximum rating of 15 amps. Connect ac power to the black and white leadwires; connect ground to the green wire.
2. **To power an intercom channel:** Connect the intercom channel to the CHANNEL terminals, and connect intercom dc return to the SHLD terminal.

To locally power a speaker station: Connect the speaker station positive terminal to either one of the PS-1F CHANNEL terminals, and connect speaker station ground to the PS-1F SHLD terminal. The remaining CHANNEL terminal on the PS-1F is not used. On the speaker station, be sure to remove the jumper installed between the +24 and PH terminals. (This jumper is used only when the speaker station is phantom powered from the intercom channel.)

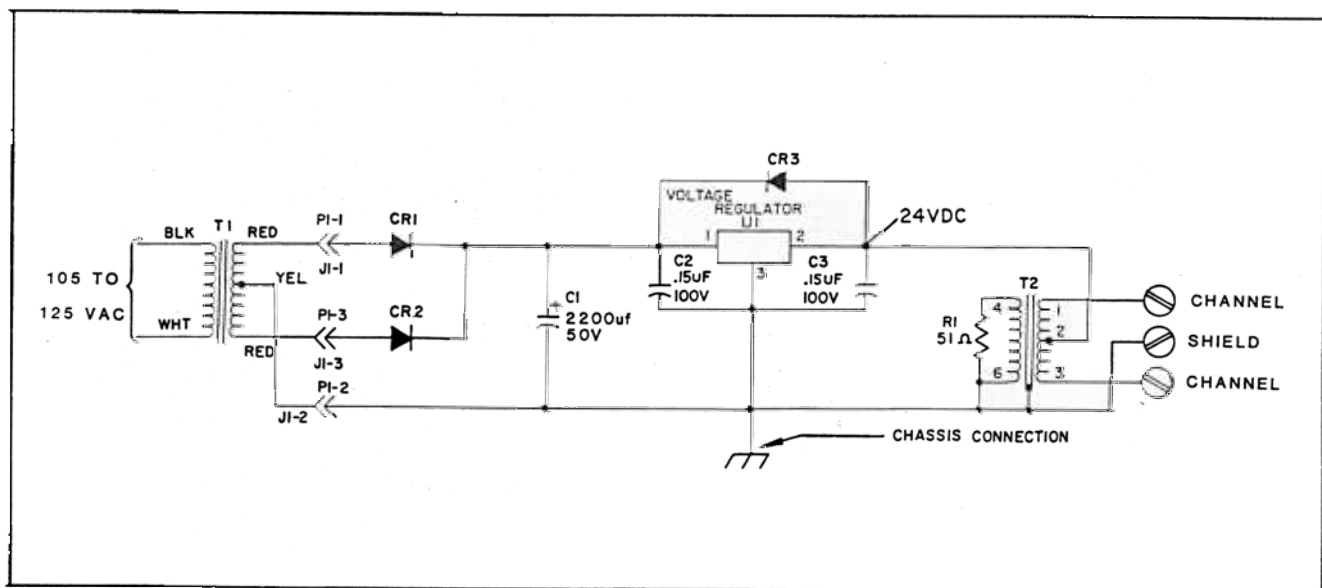
3. Mount the PS-1F in an electrical box using the screws provided with the unit.



Model PS-1F Dimensional Drawing

TELEX®

TELEX COMMUNICATIONS, INC. • 9600 Aldrich Ave. So., Minneapolis, MN 55420 U.S.A.



Model PS-1F Schematic Diagram

SERVICE INFORMATION

FACTORY SERVICE

All Audiocom equipment returns must be sent prepaid. Telex will not accept collect shipments

The following information must accompany all equipment returned for repair:

IN-WARRANTY RETURNS:

- 1 Your name, address and telephone number.
- 2 Purchaser's name and address (if different from above).
- 3 Copy of proof of purchase (keep your original)
- 4 Model and serial numbers (or date codes)
- 5 A complete description of the problem

NON-WARRANTY RETURNS:

Your name, address and telephone number.

- 2 Model and serial numbers (or date codes)
- 3 A complete description of the problem.

All equipment repaired in-warranty by Telex will be returned prepaid by Telex.

If requested, an estimate will be sent before repairing non-warranty equipment. This is a guaranteed estimate — final charges will not exceed what is quoted. If payment is sent along with your estimate approval, COD charges will be avoided; otherwise, equipment will be returned to you COD.

FACTORY SERVICE ADDRESS:

Service Department
 Telex Communications, Inc.
 1720 East 14th Street
 Glencoe, Minnesota 55336 U.S.A

CUSTOMER ASSISTANCE

Customer Service Department
 Telex Communications, Inc.
 9600 Aldrich Avenue South
 Minneapolis, Minnesota 55420 U.S.A.
 Telephone: (612) 884-4051
 (Collect calls not accepted)

Free Manuals Download Website

<http://myh66.com>

<http://usermanuals.us>

<http://www.somanuals.com>

<http://www.4manuals.cc>

<http://www.manual-lib.com>

<http://www.404manual.com>

<http://www.luxmanual.com>

<http://aubethermostatmanual.com>

Golf course search by state

<http://golfingnear.com>

Email search by domain

<http://emailbydomain.com>

Auto manuals search

<http://auto.somanuals.com>

TV manuals search

<http://tv.somanuals.com>