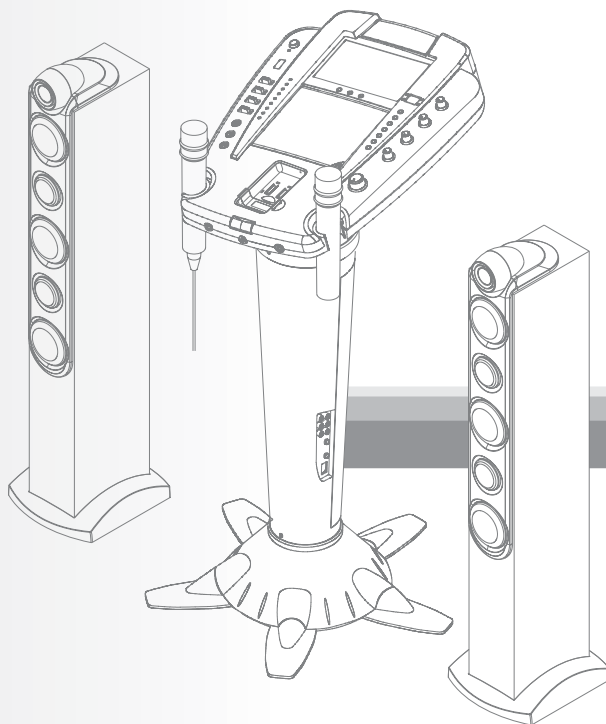


iSM-1010


- Pedestal CDG karaoke system with built-in video camera, 7" TFT LCD color monitor, iPod docking and AM/FM radio. Wireless & wired microphone included.
- Sistema Karaoke CDG de Pedestal con cámara de video integrada, monitor en colores TFT LCD de 7", acoplamiento a dock de iPod, y radio AM/FM. Incluye micrófono inalámbrico y con alambre.
- Appareil de Karaoke sur pied avec caméra de vidéo intégrée, moniteur LCD TFT de 17,8cm, port pour iPod et radio Am / Fm. Micro sans fil & avec fil compris.

**Please read before using this unit.
Lea antes de usar esta unidad.
Veuillez lire avant d'utiliser cet appareil.**




WARNINGS

- TO PREVENT FIRE OR SHOCK HAZARD. DO NOT EXPOSE THIS APPLIANCE TO RAIN OR MOISTURE.
- THIS APPLIANCE SHALL NOT BE EXPOSED TO DRIPPING OR SPLASHING WATER AND THAT NO OBJECT FILLED WITH LIQUIDS SUCH AS VASES SHALL BE PLACED ON APPARATUS.

 <p>The lightning flash with arrowhead symbol, within an equilateral triangle, is intended to alert the user to the presence of uninsulated "dangerous voltage" within the product's enclosure that may be of sufficient magnitude to constitute a risk of electric shock to people.</p>	<p style="text-align: center;">CAUTION</p> <p style="text-align: center;">RISK OF ELECTRIC SHOCK DO NOT OPEN</p> <p>WARNING: TO REDUCE THE RISK OF ELECTRIC SHOCK, DO NOT REMOVE COVER (OR BACK). NO USER-SERVIC-ABLE PARTS INSIDE. REFER SERVICING TO QUALIFIED SERVICE PERSONNEL.</p>	 <p>The exclamation point within an equilateral triangle is intended to alert the user to the presence of important operating and maintenance (servicing) instructions in the literature accompanying the appliance.</p>
---	---	---

IMPORTANT SAFETY INSTRUCTIONS

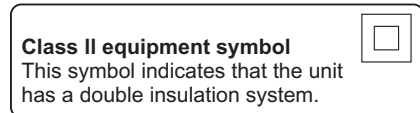
1. Read these instructions.
 2. Keep these instructions.
 3. Heed all warnings.
 4. Follow all instructions.
 5. Do not use this apparatus near water.
 6. Clean only with dry cloth.
 7. Do not block any ventilation openings. Install in accordance with the manufacturer's instructions.
 8. Do not install near any heat sources such as radiators, heat registers, stoves, or other apparatus (including amplifiers) that produce heat.
 9. Do not defeat the safety purpose of the polarized or grounding-type plug. A polarized plug has two blades with one wider than the other. A grounding type plug has two blades and a third grounding prong. The wide blade or the third prong are provided for your safety. If the provided plug does not fit into your outlet, consult an electrician for replacement of the obsolete outlet.
 10. Protect the power cord from being walked on or pinched particularly at plugs, convenience receptacles, and the point where they exit from the apparatus.
 11. Only use attachments/accessories specified by the manufacturer.
 12. Use only with the cart, stand, tripod, bracket, or table specified by the manufacturer, or sold with the apparatus. When a cart is used, use caution when moving the cart/apparatus combination to avoid injury from tip-over.
- 
13. Unplug this apparatus during lightning storms or when unused for long periods of time.
 14. Refer all servicing to qualified service personnel. Servicing is required when the apparatus has been damaged in any way, such as power-supply cord or plug is damaged, liquid has been spilled or objects have fallen into the apparatus, the apparatus has been exposed to rain or moisture, does not operate normally, or has been dropped.

IMPORTANT SAFETY INSTRUCTIONS

15. Grounding or Polarization - This product may be equipped with a polarized alternating-current line plug (a plug having one blade wider than the other). This plug will fit into the power outlet only one way. This is a safety feature. If you are unable to insert the plug fully into the outlet, try reversing the plug. If the plug should still fail to fit, contact your electrician to replace your obsolete outlet. Do not defeat the safety purpose of the polarized plug.
Alternate Warnings - This product is equipped with a three-wire grounding-type plug, a plug having a third (grounding) pin. This plug will only fit into a grounding-type power outlet. This is a safety feature. If you are unable to insert the plug into the outlet, contact your electrician to replace your obsolete outlet. Do not defeat the safety purpose of the grounding-type plug.
16. Ventilation - Slots and openings in the cabinet are provided for ventilation and to ensure reliable operation of the product and to protect it from overheating, and these openings must not be blocked or covered. The openings should never be blocked by placing the product on a bed, sofa, rug, or other similar surface. This product should not be placed in a built-in installation such as a bookcase or rack unless proper ventilation is provided or the manufacturer's instructions have been adhered to.
17. The MAINS plug or an appliance coupler is used as the disconnect device, the disconnect device shall remain readily operable.

CAUTION: USE OF ANY CONTROLS, ADJUSTMENTS, OR PROCEDURES OTHER THAN THOSE SPECIFIED HEREIN MAY RESULT IN HAZARDOUS RADIATION EXPOSURE

CAUTION: Invisible laser radiation when open and inter locks defeated. Avoid exposure to beam.



Warning: Changes or modifications to this unit not expressly approved by the party responsible for compliance could void the user's authority to operate the equipment.

NOTE: This equipment has been tested and found to comply with the limits for a Class B digital device, pursuant to Part 15 of the FCC Rules. These limits are designed to provide reasonable protection against harmful interference in a residential installation. This equipment generates, uses, and can radiate radio frequency energy and, if not installed and used in accordance with the instructions, may cause harmful interference to radio communications. However, there is no guarantee that interference will not occur in a particular installation. If this equipment does cause harmful interference to radio or television reception, which can be determined by turning the equipment off and on, the user is encouraged to try to correct the interference by one or more of the following measures:

- Reorient or relocate the receiving antenna.
- Increase the separation between the equipment and receiver.
- Connect the equipment into an outlet on a circuit different from that to which the receiver is connected.
- Consult the dealer or an experienced radio TV technician for help.

INTRODUCTION

Your Singing Machine Pedestal CD/CDG Karaoke System will provide you with fun and entertainment. You will be the “star” while singing with your favorite recordings as well as listening to your voice with the music through the system’s speakers.

This karaoke center is compact and designed to include many features, yet it is easy to use. After just a few simple instructions, you will become an expert. Before you attempt to use your unit, please read this manual thoroughly to familiarize yourself with all the features available and the sections of the manual that describe their operation. Next, go to the section for the specific operation you wish to perform.

For your easy reference, listed here are some of the main features of this karaoke center:

Lyrics on TV screen - displays the lyrics with the tempo of the music when playing CD+G discs.

Auto Voice Control (A.V.C.) - allows you to replace the original singer's voice with your own voice when any prerecorded, multiplex disc is played. To activate, just rotate mic volume to a comfortable listening level, and Auto Voice Control for the best balance between playback and microphone levels.

Balance Control - allows you to adjust the balance between the prerecorded original singer's voice and the music when using a multiplex karaoke disc.

Echo Control - allows you to add an echo to enrich your voice for a concert hall effect.

Master Volume Control - allows you to turn the volume control clockwise or counter - clockwise until desired volume level is obtained.

KaraokeVision™ - built-in camera lens will display your image on the Singing Machine's monitor or TV.

Built - In Speaker - allows you to share the music with your family or friends.

Auxiliary Output Jacks - allows you to connect another audio output component, such as an equalizer/booster or a PA system.

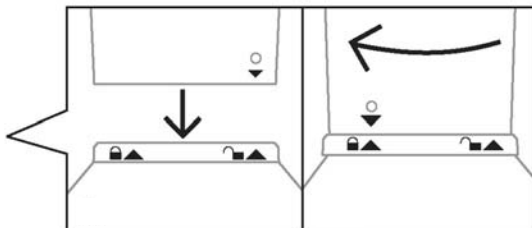
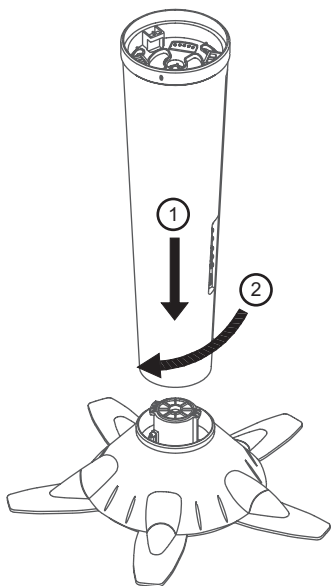
Headphone Jacks - allows you to connect headphones as an alternative for listening through the system's built-in speaker.

iPod Docking Station - the iPod docking station is compatible with iPod with video models, the cradle audio system for the iPod allows you to simply plug in and press play to stream the entire library of stored music from your iPod music player. Your Singing Machine's speaker system will provide a pleasurable sound.

INSTALLATION

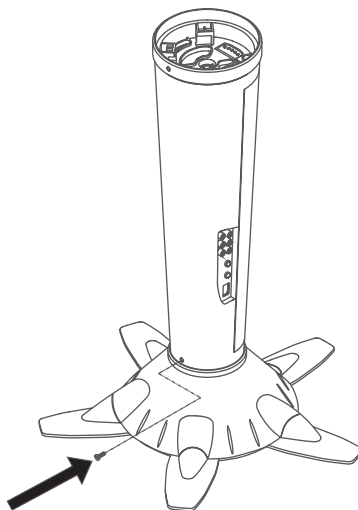
STEP 1

1. Join the speaker (middle) into the stand (bottom) according to the installation illustration.

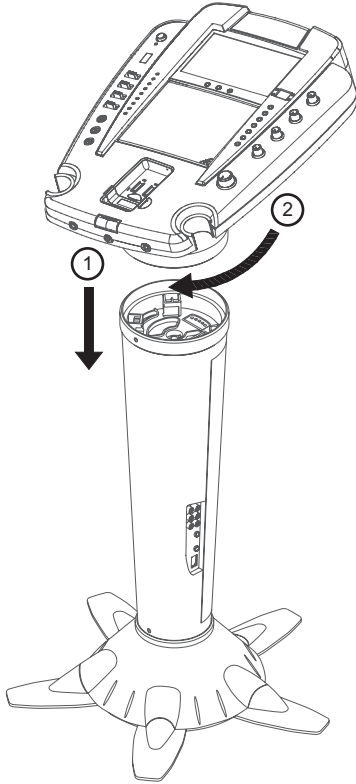


STEP 2

2. Tighten a self tapping screw at the bottom of the speaker (middle).

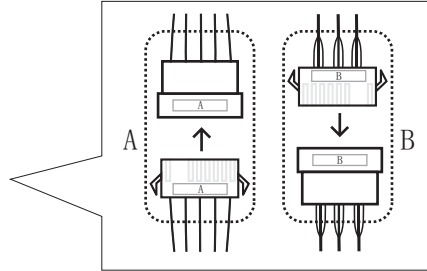


INSTALLATION

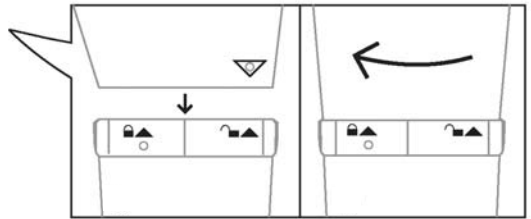


STEP 3

3. Join the control panel (top) into the speaker (middle) according to the installation illustration.

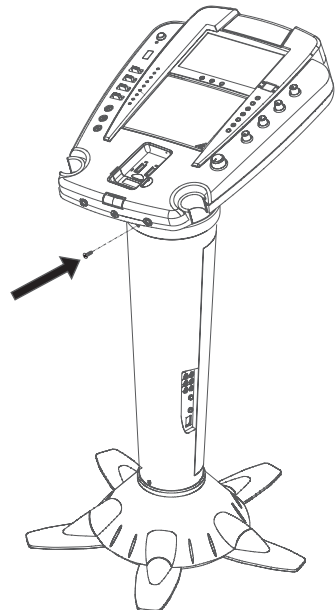


- Following the labels (A to A & B to B) to plug the connectors.

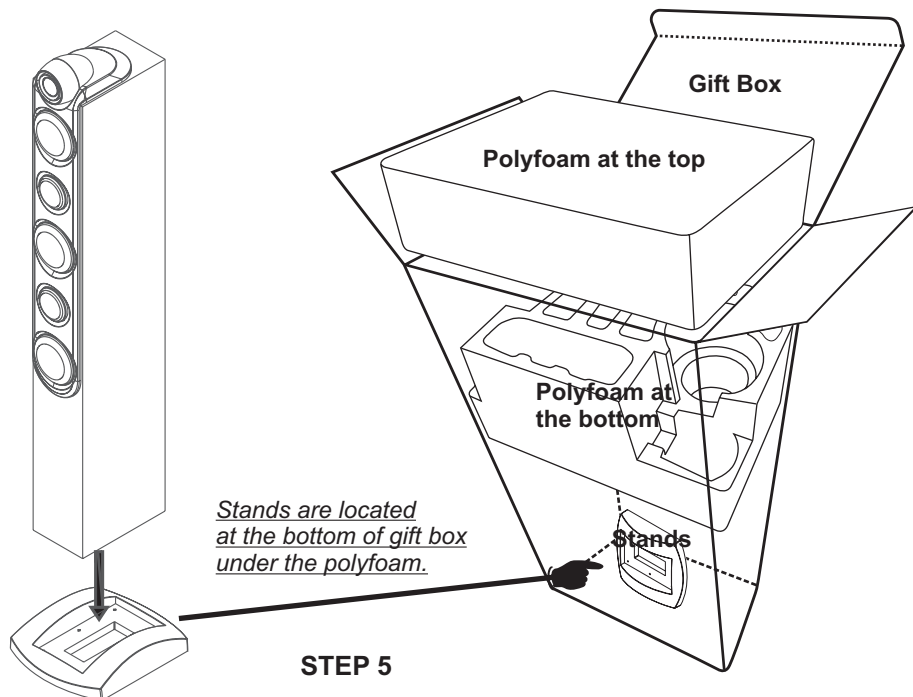


STEP 4

4. Tighten a self tapping screw at the control panel (top).

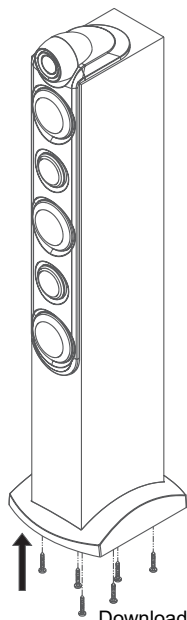


INSTALLATION INSTRUCTIONS FOR TOWER SPEAKERS



STEP 5

5. Join the speaker into the stand according to the installation illustration.

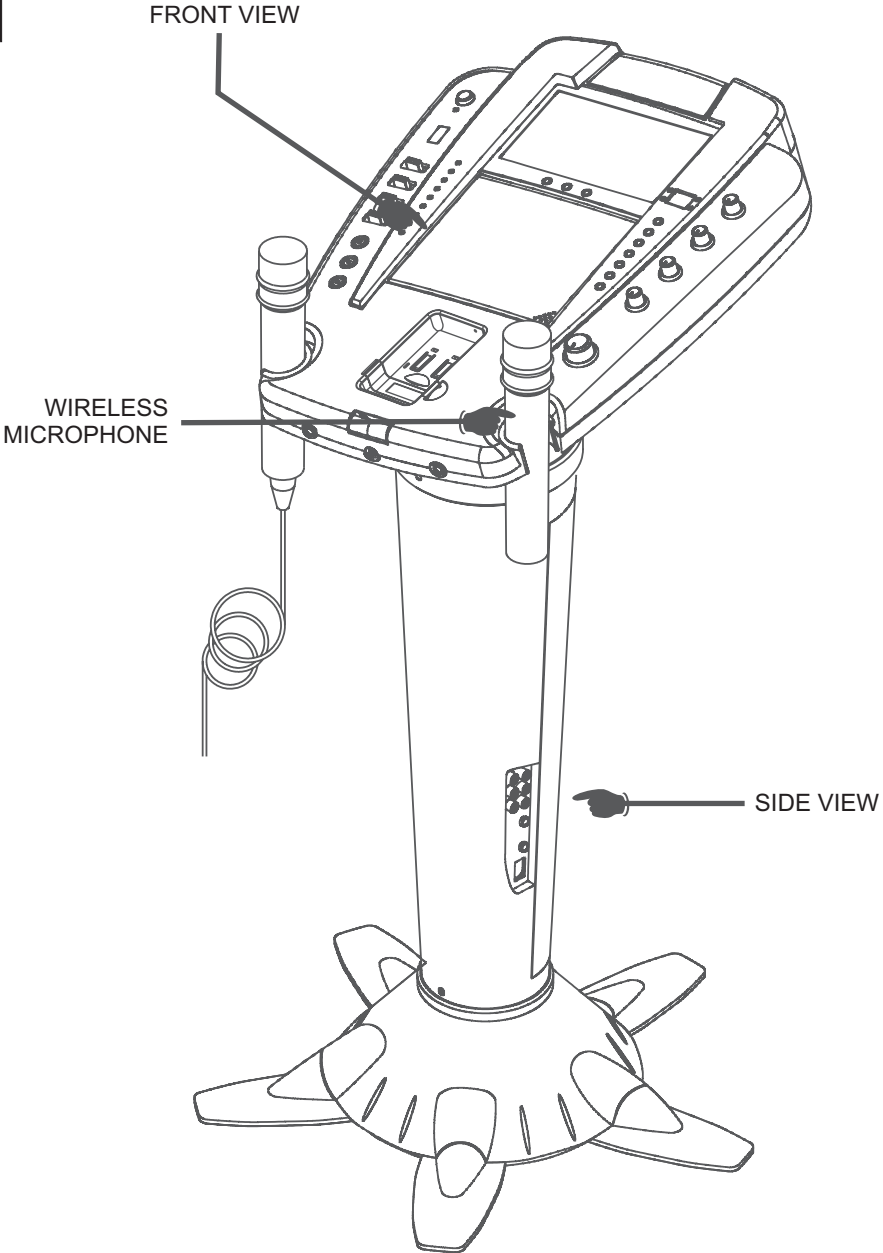


STEP 6

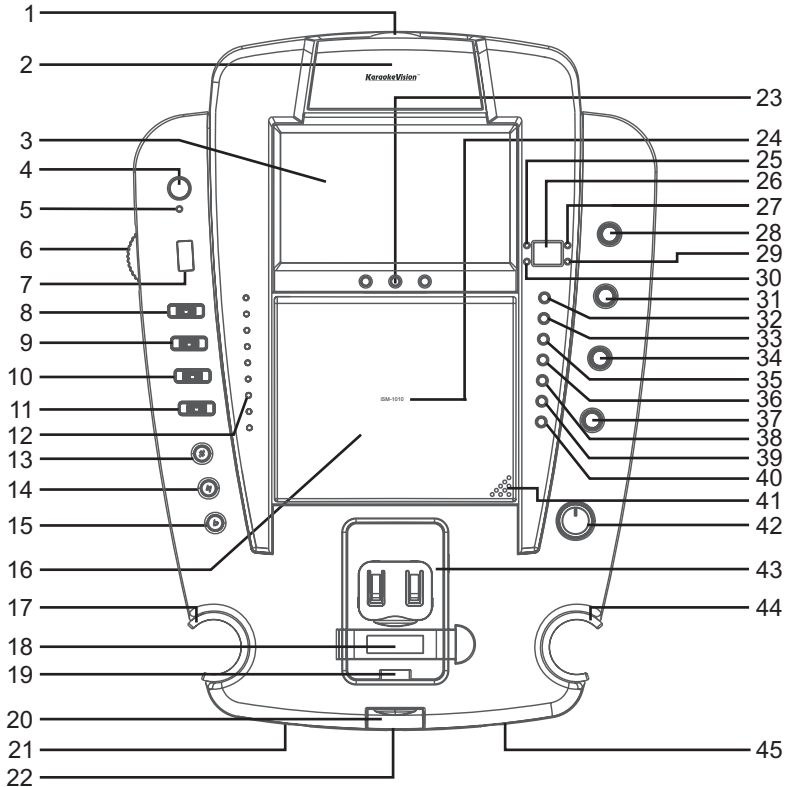
6. Tighten six screws at the bottom of the speaker.

CONTROL LOCATIONS

See control locations as indicated on the next few pages.



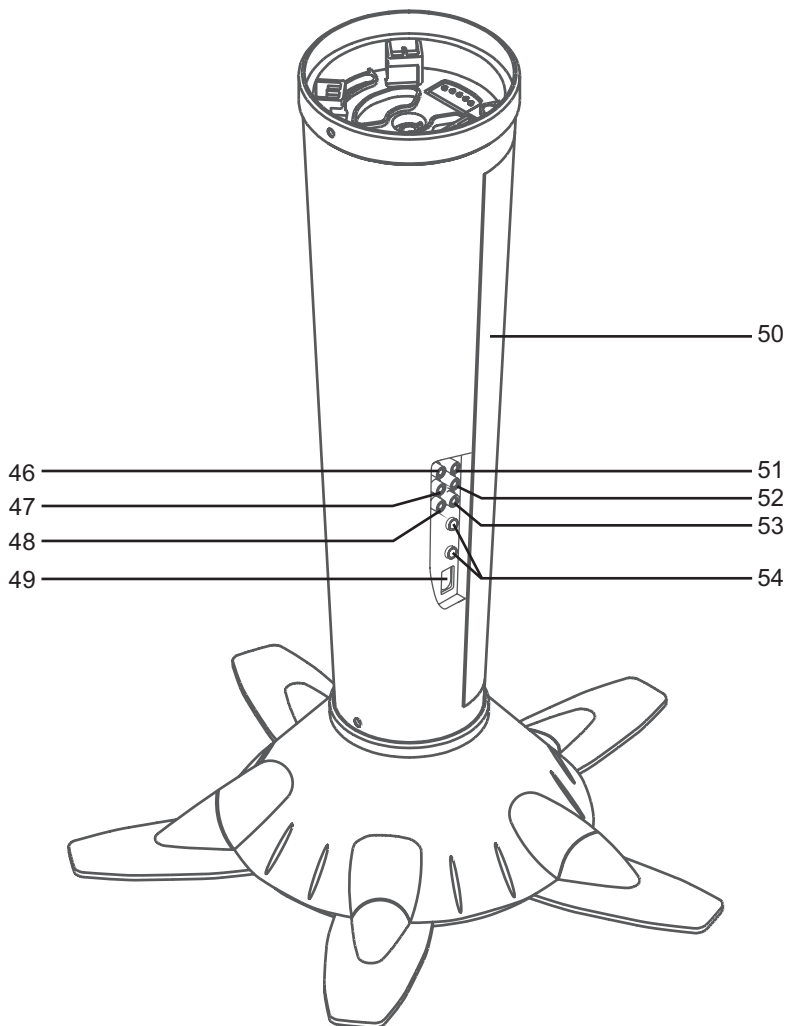
CONTROL LOCATIONS



FRONT VIEW

- | | | |
|----------------------------|--------------------------|---------------------------|
| 1. Camera Lens Open Button | 16. CD Door | 32. REPEAT Button |
| 2. Adjustable Camera Lens | 17. MIC Holder | 33. PROGRAM Button |
| 3. 7" TFT LCD Color Screen | 18. Release iPod Buckle | 34. AUTO VOICE CONTROL |
| 4. ON/OFF Button | 19. iPod Docking Station | 35. RANDOM Button |
| 5. ON/OFF LED | 20. iPod dock Releaser | 36. SKIP Button ►► |
| 6. TUNING Knob | 21. MIC 1 Jack | 37. BALANCE Control |
| 7. Dial Pointer | 22. HEADPHONE Jack | 38. SKIP Button ◀◀ |
| 8. BAND Selector | 23. LCD ADJ. Buttons | 39. STOP Button |
| 9. Monitor Selector | 24. Model Number | 40. PLAY/PAUSE Button |
| 10. Video Out Selector | 25. PROGRAM LED | 41. OPEN/CLOSE Point |
| 11. Function Selector | 26. LED Display | 42. MASTER VOLUME Control |
| 12. Key Control LEDs | 27. PLAY/PAUSE LED | 43. iPod Compartment |
| 13. Key High | 28. MIC VOLUME Control | 44. MIC Holder |
| 14. Key Flat | 29. CDG LED | 45. MIC 2 Jack |
| 15. Key Low | 30. REPEAT LED | |
| | 31. ECHO Control | |

CONTROL LOCATIONS

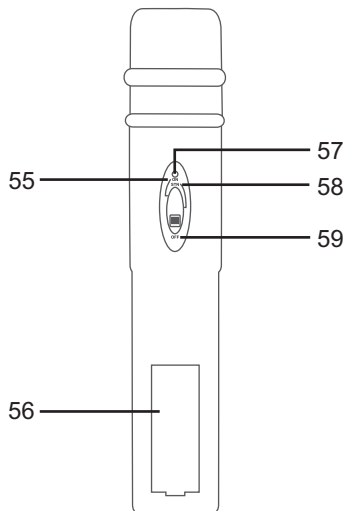


SIDE VIEW

- 46. AUX INPUT Jack (R)
- 47. AUX INPUT Jack (L)
- 48. VIDEO IN Jack
- 49. AC Power Cord Jack
- 50. Speaker

- 51. AUX OUTPUT Jack (R)
- 52. AUX OUTPUT Jack (L)
- 53. VIDEO OUT Jack
- 54. Speaker Jack (R/L)

WIRELESS MICROPHONE CONTROL LOCATIONS



WIRELESS MICROPHONE

55. ON Position

56. Battery Compartment

57. LED Indicator

58. STANDBY Position

59. OFF Position

MAKING THE CONNECTIONS

CONNECTING POWER

You can power the system from a standard AC outlet by using the supplied power cord.

CAUTION: The supplied AC power cord has a polarized plug that fits into the wall outlet only one way. If the plug does not fit properly, turn it over and try again. Do not force it.

CONNECTING TO YOUR HEADPHONE

A headphone jack is provided for using headphones instead of the built-in speaker. (Headphones are sold separately.)

WARNING: Excessive sound pressure from headphones can cause hearing loss.

CONNECTING TO YOUR TV

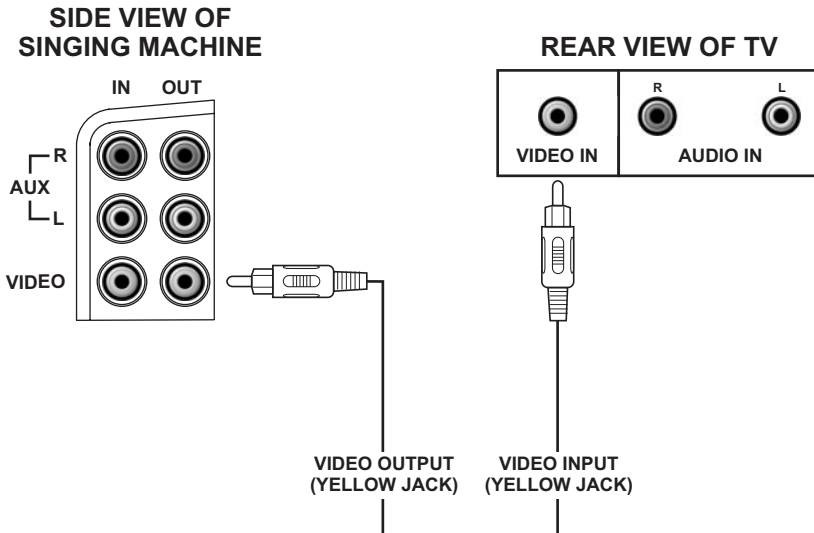
The Singing Machine includes RCA cords to provide you the option of either connecting an external audio/sound system and/or video device. The cords have three RCA plugs at each end; the White and Red are for left and right audio connections, the Yellow is to connect the video.

It is recommended that a CDG disc is playing while connecting your TV or VCR. The display of the Singing Machine logo or lyrics on your TV screen will insure you have connected your TV or VCR properly.

VIDEO CONNECTION

Please follow the steps below to display CDG lyrics on the TV screen:

- (1) Locate the multicolored patch cords.
- (2) Connect video cable (yellow) to the Video Out jack on the side of the Singing Machine.
- (3) Connect the other end of the Video Cable (yellow) to the Video Input on your TV or VCR.



MAKING THE CONNECTIONS

If your television or VCR does not have the required Video Input, you will need an RF Modulator (Radio Frequency Modulator), which connects through your TV Antenna or cable line and serves as Video Input.

An RF Modulator can be purchased at almost any consumer electronics retailer. If you are connecting the video from the Singing Machine to either a television or a VCR video input jack, you must specify the source the TV or VCR is to display. Your TV or VCR user guide can tell you how to display the video signal from the 'Video In' jack.

If you don't have the manual for your TV or VCR, we suggest calling the TV or VCR, manufacturer's customer service department. Only the manufacturer will be able to tell you very quickly how to configure your TV or VCR to display the video signal coming from the 'Video Input' jack.

* Note: Some projection TV sets do not properly display the standard blue background when using most CDGs. If the background color is inconsistent or flashing, please try connecting your Singing Machine to a standard tube television.

COMMON WAYS TO CONFIGURE YOUR TV OR VCR

Your Singing Machine is designed to connect to your TV the same way you would connect a video camera, VCR or video game. The Singing Machine is constantly sending the video and audio signals to the 'Video Out' and 'AUX OUT' jacks whenever you play a CDG. We recommend playing a CDG on your Singing Machine prior to making these connections. You will have the ability to view lyrics on your TV screen as soon as you complete the set up correctly.

We refer to TV/VCR because manufacturers use very similar ways to connect TVs and VCRs and you can connect your Singing Machine to a TV, VCR or satellite system (contact your satellite company for instructions). The setup of your TV/VCR is the most difficult part of making the connection for displaying your Singing Machine lyrics. In most homes, the TV has either a cable connected or antennae in use. Once you connect your Singing Machine to the TV/VCR, choose the correct input on your TV/VCR to display lyrics from The Singing Machine instead of the usual input from the cable or antennae.

Check your TV/VCR user manual for the easiest way to setup your particular entertainment system. If you don't have your manual please contact your TV/VCR manufacturer for information either by phone or by viewing their website for online assistance. We've listed below the most common ways of setting up a TV/VCR:

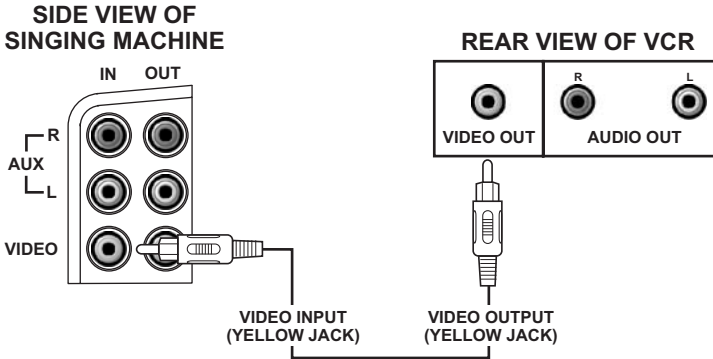
- (1) In the setup menu for configuring the TV/VCR there may be an option on 'Input Selection' where you may choose between 'Cable/Ant', 'Video 1', or 'Video 2' etc. as the input source.
- (2) Try looking for a 'Video' channel between the highest channel and the lowest channel on your TV or VCR. (i.e. between 99 and 2 also could be one of the following: 'VIDEO', 'INPUT' or 'GAME')
- (3) Look for a button on the remote control for the TV/VCR you are connecting to which notes 'VIDEO', 'VIDEO 1', 'Game', 'AUX', 'EXT', 'LINE1', 'LINE-IN' or occasionally the 'VCR' button will display the Video input source.

MAKING THE CONNECTIONS

CONNECTING A VIDEO COMPONENT FOR INPUT

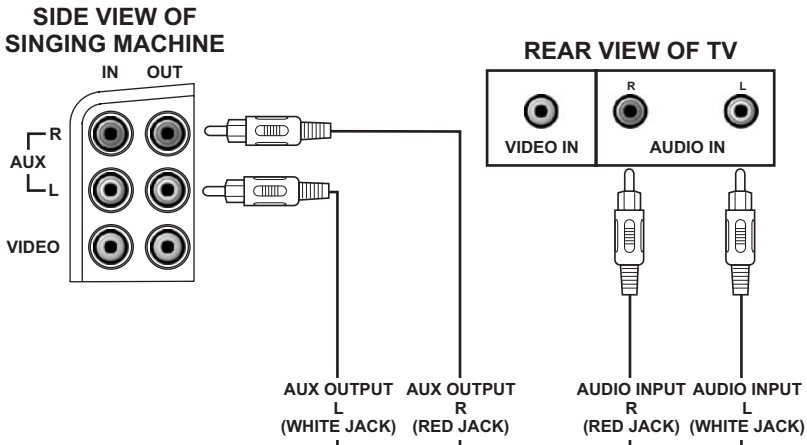
Please follow the steps below to display CDG lyrics on the Singing Machine's monitor from another video source:

- (1) Locate the multicolored patch cords.
- (2) Connect video cable (yellow) to the video in jack on the side of the Singing Machine.
- (3) Connect the other end of the video cable (yellow) to the Video Output on another video source such as a VCR.
- (4) Set the Function Selector to AUX mode and the Monitor Selector to AUX.



AUDIO CONNECTION

Connect the unit to your TV or home stereo system using the White and Red connections on the supplied RCA cords. Plug the white end of the patch cord into the white AUX OUT jack on the unit. Plug the red end of the RCA cord into the red AUX OUT jack on unit. Now connect the other end of the cable's white (left channel) and red (right channel) plugs to your TV or home stereo system's 'AUDIO IN' or 'AUX IN' jacks.

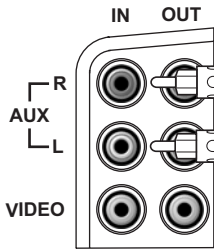


MAKING THE CONNECTIONS

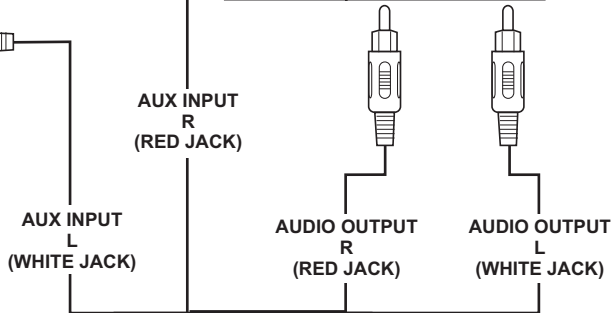
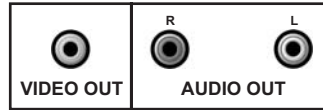
CONNECTING AN AUDIO COMPONENT FOR INPUT

To connect another audio source (such as a Tuner, an AV Receiver or a VCR) so you can sing along with its music, simply connect the Audio Output jacks (Red & White RCA jacks) to the Singing Machine's AUX IN L & R jacks.

SIDE VIEW OF SINGING MACHINE



ANOTHER AUDIO COMPONENT



MONITOR SELECTOR

- To play a CDG disc, set the Monitor Selector to either CAMERA, iPod/CDG, AUX or OFF mode.
- To display CDG lyrics on the Singing Machine's monitor, set the Monitor Selector to iPod/CDG mode.
- To display your image on the Singing Machine's monitor, set the Monitor Selector to CAMERA mode.
- To display a video signal from another A/V component, set the Function Selector to AUX mode and Monitor Selector to AUX mode.
- To turn off the TFT on the Singing Machine, set the Monitor Selector to OFF mode.
- Adjust the LCD ADJ. buttons located under the LCD monitor of the Singing Machine for the best picture quality. (#23 noted on the control locations on page E8)

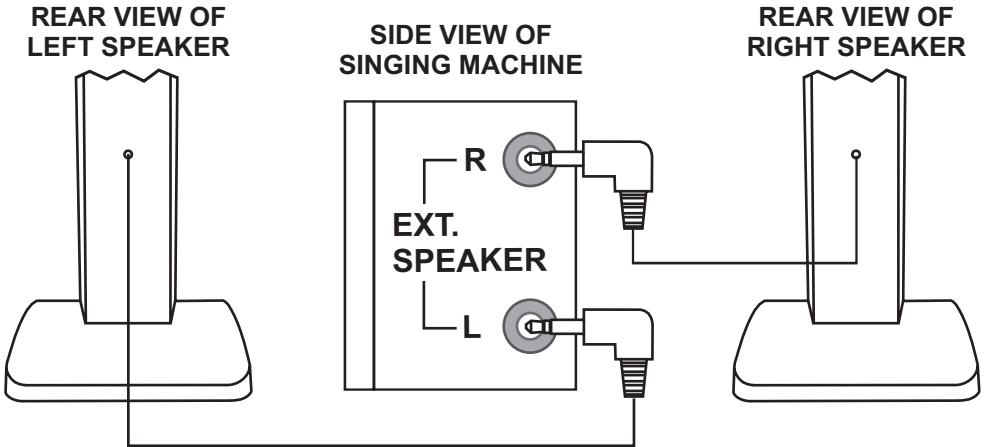
VIDEO OUT SELECTOR

- To display image on the TV, set Function Selector to iPod, CDG or AUX position and set the Video Out Selector to CAMERA mode.
- To display CDG lyrics on the TV, set Function Selector to CDG position and set the Video Out Selector to iPod/CDG mode.

MAKING THE CONNECTIONS

CONNECTING TO THE SINGING MACHINE



1. Before connecting the speakers, turn off the Singing Machine and adjust both the Master Volume and Mic Volume to minimum.
2. Connect the speakers to the Singing Machine according to the illustration below.
3. Power on the Singing Machine. Adjust both the Master Volume and Mic Volume on your Singing Machine to a comfortable level.



CD OR CD+G OPERATION

- **Warning - Tapping or dropping the microphone while it is on can permanently damage your microphone. Resist the urge to swing the microphone around by the cord!**

PREPARATION

- This unit is designed to play CD's/CD+G's bearing the identification logo "  /  ". If CD's/CD+Gs do not conform to particular standards, they may not play properly.
- Fingerprints and dust should be carefully wiped off with a soft cloth. Wipe in a straight motion from the center of the disc to the outside edge.
- Never use chemicals, such as record cleaning sprays, antistatic sprays or fluids, benzene or thinner to clean compact discs. These chemicals will permanently damage the plastic surface of the disc.
- Always place the compact disc on the disc tray with the label facing upward. Compact discs can be played on only one side.
- To remove a disc from its storage case, press down on the center of the case and lift the disc out, holding it carefully by the edges.
- Discs should be returned to their cases after use to protect them from dust and scratches.
- To prevent warping the disc, do not expose it to direct sunlight, high humidity or high temperatures for extended periods of time.
- Do not apply paper or write anything on either side of the disc. The inks used in some felt-tip pens may damage the surface of the disc.

PLAYING CD OR CD+G DISC

- Adjust MASTER VOLUME control on your unit, TV or audio system to a comfortable level.
- Adjust MIC/ECHO/BALANCE controls as needed to achieve the desired mix of music and vocals through your TV or sound system.
- Do not press the disc cover of the CD compartment while it's playing.
- Never place anything on top of the Singing Machine. Foreign objects can damage the unit.
- Do not apply excessive force to the disc cover.
- Only place one disc in the CD compartment at a time.

TURNING POWER ON/OFF

- To power on the karaoke center, press the ON/OFF button, the ON/OFF LED will illuminate.
- To turn off the system, press the ON/OFF button again, the ON/OFF LED will turn off.

FUNCTION SELECT

Set the Function Selector to CDG.

LOADING A DISC

- Lift the CD door at the OPEN/CLOSE point. Place a disc in the compartment with the printed side facing upward and the shiny side facing down.
- Close the CD compartment. The LED window will display the total number of tracks. (If no disc is loaded, it will display "--").

(Refer to the Trouble Shooting Guide on page E22 if a disc is loaded but the total tracks do not appear.)

CD OR CD+G OPERATION

PLAY/PAUSE MODE

- To start playing, press the PLAY/PAUSE button. The first track [1] and the PLAY/PAUSE LED will illuminate.
- To temporarily stop playing, press the PLAY/PAUSE button. The PLAY/PAUSE LED Indicator will flash.
- To resume play, press this button again.

PLEASE NOTE: Pressing pause when a CDG is playing may cause distorted lyrics on the monitor. Any distortion will remain until the whole screen is refreshed during an instrumental break or you stop the song and start it from the beginning.

STOP MODE

If the STOP button is pressed in the course of playing, the disc will cease to play. (The total number of tracks will be shown on the LED display).

SKIP PLAY (For both CD and CDG discs.)

- During STOP mode, you can skip up or down to your desired track number by pressing a SKIP button (◀◀-SKIP-▶▶).
- To resume playing the selected song, press PLAY/PAUSE button.

SEARCH (For audio CD disc only.)

When playing any audio CD, press and hold the SKIP button (◀◀ -SKIP- ▶▶). The CD will search at high speed in the forward or backward direction. Normal play will continue when you release the button.

REPEAT

- To repeat the track currently playing, press the REPEAT button once. The REPEAT LED will start to flash.
- To repeat all tracks, press the REPEAT button twice. The REPEAT LED will remain illuminated.
- To clear the repeat function. Press the REPEAT button again. The REPEAT LED will no longer illuminate.

PROGRAM

- Use this button to program and play back songs in a preselected order.
 - Step 1: Programming should be done in the stop mode only. Press the PROGRAM key until the PROGRAM LED flashes, the track will read [0].
 - Step 2: Press the double arrow keys (◀◀ -SKIP- ▶▶) to select a desired track.
 - Step 3: Press PROGRAM key to confirm entry. You can repeat the same steps up to a maximum of 20 tracks.
 - Step 4: Press PLAY to activate PROGRAM.
- Press the STOP button to clear all the programmed entries.

RANDOM

- Press the RANDOM button to enable all tracks on a disc to be played in random sequence.
- Press the STOP button to cancel the random play mode.

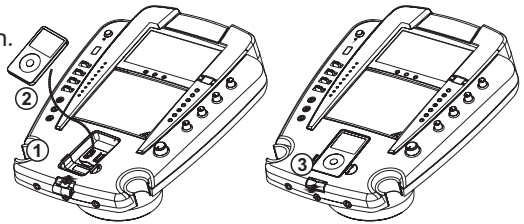
KEY CONTROL

- Pressing the KEY HIGH/ KEY LOW button will allow different ranges to be adjusted as shown on LED.
- KEY FLAT button is used to adjust the key level back to default level.
- KEY HIGH is used to raise the key level.
- KEY LOW is used to lower the key level.

iPod OPERATION (for iPod with video)

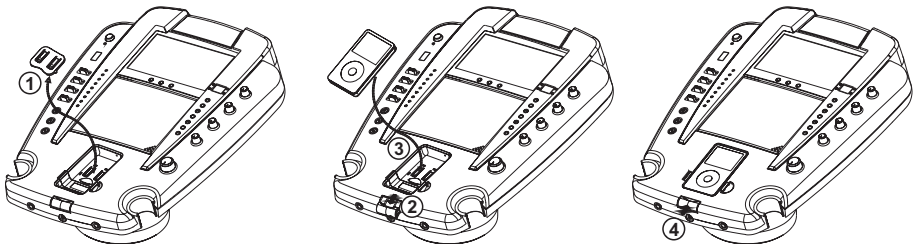
INSTALL iPod with video - for 30G (iPod not included)

1. Pull the iPod dock releaser down.
2. Put an iPod into the iPod docking station.
3. Push the iPod dock releaser up.



INSTALL iPod with video - for 60G or 80G (iPod not included)

1. Remove the adaptor.
2. Pull the iPod dock releaser down.
3. Put an iPod into the iPod docking station.
4. Push the iPod dock releaser up.



FEATURES FOR YOUR iPod

- Play video content of your iPod on the 7" widescreen TFT LCD
- Capable of displaying your favorite videos on your iPod to your TV
- Charge your iPod
- Integrated dock for your iPod with video (30G, 60G and 80G)

CHARGING YOUR iPod

1. Place your iPod into the docking station carefully.
2. Press the ON/OFF button on the unit, it will automatically charge your iPod.

WATCHING YOUR iPod VIDEOS ON THE 7" COLOR LCD TFT SCREEN

To power the unit on, slide the MONITOR Selector switch to the iPod/CDG position. To see your favorite iPod videos on the 7" color LCD screen, follow the instructions below:

1. On the menu screen of your iPod, select the "Videos" option.
2. On the next menu screen, select the "Video Settings" option.
3. On the next menu screen, select the "TV Out" option and set it on.
4. Install your iPod into the iPod docking station.
5. Navigate the menu screen of your iPod to your favorite video.
6. Play the video file and watch it on the 7" color LCD screen. Use the iPod to open and control your desired songs, photos, and video files. The system will then respond to the given command.

RADIO AND OTHER OPERATIONS

AM/FM RADIO

1. Press the ON/OFF button.
2. Switch Function Selector to RADIO position.
3. Switch Band Selector to either AM or FM radio position.
4. Turn tuning knob to select desired station as indicated on dial.
5. Adjust Master Volume to the desired level.
6. To turn the radio off, set Function Selector to iPod, CDG or AUX position.

SING ALONG - RADIO

1. Follow operating instructions for AM/FM radio.
2. Connect the supplied Microphone to either one of the Mic input jacks.
3. Adjust Master Volume and Mic Volume. Your voice will be combined with the radio station output and will be heard through the speakers.

PUBLIC ADDRESS - USING A MICROPHONE

The unit can be used as a PA (Public Address System).

Public Address (PA) Operation Procedures

1. Connect the supplied Microphone to either one of the MIC input jacks.
2. Press the ON/OFF button to turn the unit on.
3. Set the Function Selector to AUX. Move the MIC VOLUME control to central position.
4. Move the ON/OFF switch located on the Microphone to the ON position and speak or sing into the Microphone. The Microphone sensitivity and loudness could be adjusted as required by turning the MIC VOLUME control and/or MASTER VOLUME control.
5. To add depth or ambiance to your voice, adjust the ECHO control until the desired effect is obtained.

Note: To prevent feedback or whistling from occurring, please be sure that the microphone is not too close to the unit.

SMM-107A WIRELESS MICROPHONE OPERATION

- 1) Open the battery compartment.
- 2) Place a 9V battery in the compartment as indicated by the polarity symbols (+ and -) marked inside the compartment of the wireless microphone.

NOTE: 9V battery is not included.

- 3) Close the battery compartment.
- 4) The wireless microphone has three settings:
 1. ON - The switch is in the top position. The microphone will function. The red indicator illuminates.
 2. STANDBY - The switch is in the middle position. The microphone will not function. The red indicator illuminates.

NOTE: The purpose of this setting is to maintain a connection between the microphone and the Singing Machine when moving around the area in which it is being used. (This function could also be considered a mute function)
 3. OFF - The switch is in the bottom position. The microphone will not function. The red indicator light is off.

NOTE: To ensure long battery life, please make sure that the wireless microphone is set to the OFF position when not in use. When not in use for a long period of time, we recommend that you remove the DC 9-V battery.

WIRELESS MICROPHONE INFORMATION

Warning: Changes or modifications not expressly approved by the party responsible for compliance could void the user's authority to operate the equipment.

FCC NOTICE

This wireless microphone system complies with Part 90 of FCC Rules. There is one frequency available for the system. You must get a licence for the frequency you plan to use before you use the system.

Please look for this website <http://wireless.fcc.gov/uls/> to apply the licence or phone to the nearest FCC offices and contact them to get the necessary application. Licensibility depends on how you will use the system.

For RF exposure

“IMPORTANT NOTE: To comply with the FCC RF exposure compliance requirements, no change to the antenna or the device is permitted. Any change to the antenna or the device could result in the system exceeding the RF exposure requirements.”

SAFETY INFORMATION

Your wireless microphone contains a low power transmitter. When the EUT is powered on and it sends out radio frequency (RF) signals. In August 1996, the Federal Communications Commissions (FCC) adopted RF exposure guidelines with safety levels for wireless devices.

IMPORTANT

To maintain compliance with the FCC's RF exposure guidelines hold the transmitter and antenna at least 1 inch (2.5 centimetres) from your face and speak in a normal voice, with the antenna pointed up and away from the face. Insure that the antenna is at least 1 inch (2.5 centimetres) from your body when you using your wireless microphone.

Use only the supplied antenna. Unauthorised antennas, modifications, or attachments could damage the transmitter and may violate FCC regulations.

NOTE: THE MANUFACTURER IS NOT RESPONSIBLE FOR ANY RADIO OR TV INTERFERENCE CAUSED BY UNAUTHORIZED MODIFICATIONS TO THIS EQUIPMENT. SUCH MODIFICATIONS COULD VOID THE USER'S AUTHORITY TO OPERATE THE EQUIPMENT.

Operation of this device is subject to the following two conditions: (1) this device may not cause interference, and (2) this device must accept any interference, including interference that may cause undesired operation of the device.

CARE AND MAINTENANCE

POWER SWITCH

After using the unit, turn off the power by pressing the ON/OFF button.

CLEANING THE UNIT

To clean the exterior of the unit, simply wipe with a soft clean cloth moistened with plain lukewarm water.

CLEANING THE CD LASER LENS

For the Best Results: Use a CD-lens cleaning disc according to the cleaning disc manufacturer instructions.

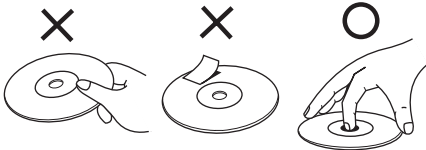
If a lens cleaning disc is not available, use a clean, soft, dry cotton cloth to gently wipe the small, glass, fish-eye laser lens located in the CD players.



To prevent fire or shock hazard, disconnect your stereo system from the AC power plug when cleaning.

COMPACT DISC Handling Disc

Although the music tracks on the disc are covered with a protective layer, it is still advisable to treat the disc carefully. Ensure that you always pick up discs by the edge, and put them back in their holders immediately after use.



CLEANING DISC

Cleaning will not normally be necessary. However, should fingerprints, dust or dirt appear, you can wipe them off with a soft, lint-free cloth. Wipe the disc in a straight line from center to edge. You can moisten the disc first with ordinary tap water if necessary.



NOTE: Do not use detergent or abrasive cleaning agents as they can damage the disc.

CD PLAYER

The player mechanism is fitted with self-lubricating bearings and must not be oiled or greased.

TROUBLE SHOOTING GUIDE

If you have followed the instructions and are having difficulty operating the unit, locate the **PROBLEM** in the left column below. Check the corresponding **POSSIBLE CAUSE** column to locate and remedy the problem.

PROBLEM	POSSIBLE CAUSE	SOLUTION
No power when POWER is on.	No power plug connection at the AC outlet.	Insert the power plug into the AC outlet.
No power when plugged in.	Power cord is not connected to machine.	Connect power cord to machine securely.
No sound.	Volume control is set to minimum.	Turn up the volume.
No sound from TV or PA.	The wrong function is selected.	Select the correct function.
	TV or PA system is set to minimum.	Turn up the volume on the TV or PA system.
	TV or PA system is powered off.	Power the TV or PA system on.
	Patch cords are not connected securely.	Ensure white and red patch cords are securely inserted into both The Singing Machine and the TV/PA system.
CD Player does not work normally or the LED displays “- -”, “E” , or “00”	Disc is inserted upside down.	Insert disc correctly.
	Disc is dirty.	Wipe clean with soft cloth.
	Disc is scratched.	Use a new disc.
	Disc is warped.	Use a new disc.
	A nonstandard disc is inserted.	Only use discs bearing standard logo as described on page E16.
	Moisture has formed inside the CD deck.	Wait about 20 to 30 minutes to let it dry out.
No sound - when audio is connected to a home stereo.	Singing Machine needs to be reset.	Disconnect the machine from the power source for 30 seconds then reconnect.
	Source Selection on your stereo is not set properly.	Select AUX IN as the source for your home stereo.
	Improper Connection to stereo system or PA.	Follow directions on page E13 “AUDIO CONNECTION.”
No sound - If audio is going through TV or VCR.	RCA cords are not connected securely.	Ensure white and red cords are securely inserted into both The Singing Machine and the home stereo system.
	Source Selection on TV or VCR is not correct.	Follow directions on page E11 for “Makeing the Connections.”
	RCA cords are not connected securely.	Ensure white and red cords are securely inserted into both The Singing Machine and the home stereo system.

TROUBLE SHOOTING GUIDE

PROBLEM	POSSIBLE CAUSE	SOLUTION
No song lyrics appear on the TV screen.	Video cable is not connected properly to the TV.	Connect the video cable to the Singing Machine's VIDEO OUT and to the TV VIDEO IN.
	Source selector on TV is not set to VIDEO.	Using your TV remote to select VIDEO input or select the proper VIDEO input on the TV itself. (Refer to page E12 under Common ways to configure your TV or VCR)
	TV does not have video line input.	Connect from VIDEO OUT of the system to the VIDEO IN of your VCR or connect to an RF Modulator and then to the TV cable input. Refer to "Making the Connections" on page E12.
	A non standard disc is inserted.	Only use discs bearing standard CD+G logo.
	A CDG is loaded but the CDG indicator is not illuminated.	Check disc to be sure it is clean. (See page E21 for cleaning instructions.)
While playing a CDG and singing with the microphone, the music or vocals cut out.	AVC is activated to Maximum.	Adjust AVC to Minimum.
	Playing music only track.	Play track that includes music and vocal.
No image displays on the monitor when attempting to use the camera function.	The Camera Lens is down.	Lift up a Camera Lens.
	MONITOR Selector is not set properly.	Set MONITOR Selector to CAMERA mode.
	Lens cap is on.	Remove lens cap.
	Brightness control not adjusted properly on the Singing Machine.	Adjust Brightness control on the Singing Machine.
Camera image is blurry.	Camera has not warmed up.	Wait a minute for the camera to warm up.
	Camera lens is dirty.	Clean the camera lens.
	Camera lens is out of focus.	Adjust the lens of the camera by slightly rotating either left or right until the display is clear. Do not overturn the lens.

TROUBLE SHOOTING GUIDE

PROBLEM	POSSIBLE CAUSE	SOLUTION
Music & Vocals are playing at a high speed.	Key control is set to high.	Adjust key control to flat.
While playing a CDG track with music and vocals only music or vocals play.	Balance is set either to left or right.	Adjust balance to mid point.
Wireless microphone is not working but LED is illuminated.	Microphone is not in the "ON" position or	Position microphone to the "ON" position.
	Microphone is in 'STN' position.	
	Battery is dead.	Replace battery.
Wired microphone is not working.	Microphone is not in the "ON" position.	Position microphone to the "ON" position.
	Microphone is not securely connected to the microphone jack.	Insure microphone is securely connected to microphone jack 1 or 2.

SPECIFICATIONS

AUDIO SECTION: MAIN UNIT OUTPUT POWER (MAXIMUM) OUTPUT IMPEDANCE TOWER SPEAKER OUTPUT POWER (MAXIMUM) OUTPUT IMPEDANCE	7 WATTS (RMS) 3 OHMS 7 WATTS (RMS) 3 OHMS
CD PLAYER SECTION: FREQUENCY RESPONSE SIGNAL - TO - NOISE RATIO WOW AND FLUTTER D - A CONVERSION NUMBER OF PROGRAMS SAMPLING SYSTEM	100 Hz - 20 kHz (+/-3 dB) 50 dB (A-WTD) IMMEASURABLE 1-BIT DAC 20 STEPS RANDOM ACCESS PROGRAMMING 8 TIMES OVER SAMPLING
MONITOR SECTION	7" COLOR TFT LCD SCREEN NTSC SYSTEM
RADIO SECTION: AM FREQUENCY RANGE FM FREQUENCY RANGE	530-1710 kHz 88-108 MHz
WIRED MICROPHONE	-74 dB 600 OHMS IMPEDANCE WITH Ø6.3mm DYNAMIC MICROPHONE
WIRELESS MICROPHONE	-74 dB 600 OHMS IMPEDANCE Power Source: 9V battery x1 (battery not included)
POWER SECTION	AC 110V-120V~60Hz
DIMENSIONS (H x W x D)	37.5 x 17.7 x 17.1 Inches / 95.2 x 45.0 x 43.5 cm
WEIGHT	34.6 lbs / 15.7 kgs
ACCESSORIES	<ol style="list-style-type: none"> 1. PRE-RECORDED KARAOKE CD+G DISC 2. RCA CABLE 3. SCREWS 4. AC POWER CORD 5. iPod ADAPTOR

Specifications are typical, individual units might vary. They are subject to continuous improvement without notice and without incurring any obligation.

THE SINGING MACHINE KARAOKE GLOSSARY OF TERMS

In addition to all of the terminology associated with consumer electronics products, a few additional terms are used almost exclusively in karaoke. These terms are meant to familiarize you with the world of Karaoke. The features listed below **may not** necessarily pertain to the particular model Singing Machine that you have. The following are some brief explanations of karaoke terms:

Echo:

Echo adds depth and resonance to a singer's voice, without affecting the music. This echo is produced by creating minor controlled feedback in the singer's voice.

Multiplex:

Our multiplex recordings contain 2 copies of the same song. One version is a stereo recording of the song without the lead singer. The second version is recorded with the music and background vocals on the left channel and the lead singer recorded on the right channel. This 'split track' recording allows you to control the volume of the lead singer by adjusting the balance control. You can sing a duet with the lead singer or use the lead singer as a guide as you learn the song, gradually fading them out with the balance control until you are able to sing the song on your own.

Auto Voice Control (A.V.C.):

When the AVC function is activated, the vocals on a multiplex recording are eliminated as soon as the singer begins singing into the microphone. When the singer stops singing, the vocals on the multiplex recording are automatically re-activated. This useful function is used primarily during practice sessions while a singer is learning a song. Please note that the AVC function only works with multiplex recording and not with standard audio recordings.

Pitch Control:

This function controls pitch of music by controlling the speed at which a cassette tape plays back. By increasing the speed of the tape, the music sounds higher (sharp). By slowing the tape speed, the music sounds lower (flat).

Key Controller:

Key Controller changes the key of the CD/CDG music (+ or - steps) to adjust to the singer's voice.

CDG:

This is an acronym for Compact Disc plus Graphics. You will also see variations CD+G, and CD+Graphics. This is a regular audio CD with information stored on a data track simultaneous to music. In laymen's terms, CDG has a video output for simple graphics (not full motion video). In the case of karaoke, the graphics function is used to store song lyrics, and display the lyrics in synch with music. In most cases, CDG software displays lyrics which change color as they are to be sung. A regular television is all that is required to display CDG lyrics.

NOTE - CDG is a particular type of compact disc encoding system that is different from VCD or DVD. Your Singing Machine can decode standard audio compact discs and CDG discs. It will not read VCD or DVD encoded discs.

Standard audio discs and cassette tapes will not display lyrics on your TV. Audio CDs do not contain the software necessary to display lyrics.

ADVERTENCIAS

- PARA EVITAR EL RIESGO DE INCENDIO O DESCARGA ELÉCTRICA, NO EXPONGA ESTE EQUIPO A LA LLUVIA O HUMEDAD.
- ESTE EQUIPO NO DEBERÁ EXPONERSE A QUE LE GOTEE O SALPIQUE EL AGUA, NI SE LE DEBE COLOCAR ENCIMA OBJETOS QUE CONTIENEN LÍQUIDO, TALES COMO FLOREROS.

ESPAÑOL



El símbolo de relámpago con punta de flecha dentro de un triángulo equilátero, es para alertar al usuario a la presencia de «voltaje peligroso» sin aislamiento dentro de la caja del producto que pudiera ser de tal magnitud que presentara un riesgo de dar un golpe de corriente a las personas.

PRECAUCIÓN

**RIESGO DE DESCARGA ELÉCTRICA
NO ABRIR**

ADVERTENCIA : PARA REDUCIR EL RIESGO DE DESCARGA ELÉCTRICA, NO RETIRE LA TAPA (O LA PARTE DE ATRÁS). NO HAY ADENTRO NINGUNAS PARTES QUE EL USUARIO PUEDA REPARAR. ENCARGUE EL MANTENIMIENTO AL PERSONAL CALIFICADO DE SERVICIO.



El punto de admiración dentro de un triángulo equilátero es para alertar al usuario a la presencia de instrucciones importantes de mantenimiento (servicio) y operación en los documentos que acompañan al aparato.

INSTRUCCIONES IMPORTANTES DE SEGURIDAD

1. Lea estas instrucciones.
2. Guarde estas instrucciones.
3. Preste atención a las advertencias.
4. Siga todas las instrucciones.
5. No use este aparato cerca del agua.
6. Limpie solamente con un paño seco.
7. No obstruya las aberturas de ventilación. Instale de acuerdo con las instrucciones del fabricante.
8. No se instale el producto cerca de objetos calientes tales como radiadores, registros de calefacción, estufas, u otros dispositivos (incluso amplificadores) que producen calor.
9. No elimine la función de seguridad del enchufe polarizado o terminal de tierra, que existe para evitar el peligro. Un enchufe polarizado tiene dos terminales o patillas y un terminal tercero de tierra. La patilla ancha o el tercer terminal son para su seguridad. Si el enchufe incluido no encaja en su tomacorriente, consulte a un electricista para que le cambie el tomacorriente anticuado.
10. Proteja el cable eléctrico de que le caminen por encima o que queden apretados, sobre todo, cerca de los enchufes, extensiones de tomacorrientes, y en el punto en que salen del equipo.
11. Use solamente dispositivos/accesorios que el fabricante especifica.
12. Use solamente con el carrito, base, trípode, soporte, o mesa que el fabricante especifica o que se vende con el equipo. Cuando se usa un carrito, tenga precaución cuando mueve la combinación de carrito y equipo para evitar lesiones en caso del que el producto se volcara.
13. Desconecte esta máquina durante las tormentas de relámpagos o cuando no se va a usar por largo tiempo.
14. Encargue todo mantenimiento a personal de servicio calificado. Darle servicio será necesario cuando la máquina ha sido dañada de cualquier forma, como por ejemplo, si el cable eléctrico o el enchufe está dañado, si líquido se ha derramado en la máquina o si objetos le han caído dentro, o si la máquina ha sido expuesta a la lluvia o humedad, o no funciona de la manera normal, o la han dejado caer.

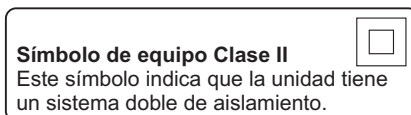


INSTRUCCIONES IMPORTANTES DE SEGURIDAD

15. Usar Conexión de puesta a tierra o Polarización - Este producto puede que esté equipado con un enchufe polarizado de línea de corriente alterna (un enchufe que tiene una patilla más ancha que la otra). Este enchufe entra en el tomacorriente de una sola manera. Ésta es una medida de seguridad. Si usted no logra encajarlo en el tomacorriente, pruebe darle la vuelta a revés. Si el enchufe tampoco así encaja, llame a su electricista para que le reemplace el tomacorriente anticuado. No trate de eliminar la seguridad del enchufe polarizado. Advertencias alternas – Este producto esta equipado con un enchufe del tipo de tres alambres de puesta a tierra, un enchufe que tiene un tercer terminal de tierra. Este enchufe solamente puede conectarse a un tomacorriente de puesta a tierra. Ésta es una medida de seguridad. Si usted no logra encajar el enchufe en el tomacorriente, llame a su electricista para que le reemplace el tomacorriente anticuado. No trate de eliminar la seguridad del enchufe de puesta a tierra.
16. Ventilación – Hay ranuras y aberturas en la caja del producto que son para ventilación y para asegurar la buena operación del producto y para protegerlo de sobrecalentarse, y estas aberturas no se deberán obstruir ni cubrir. Las aberturas jamás se deben bloquear al colocar el producto sobre una cama, sofá, alfombra u otra superficie semejante. Este producto no se debe colocar en una instalación empotrada, tal como un librero o estante, a no ser que se pueda procurar la ventilación adecuada o que se adhiera a las instrucciones del fabricante.
17. El enchufe MAINS o un conector de aparato electrónico se usa como el dispositivo de desconectar; el dispositivo de desconectar deberá siempre estar listo para funcionar.

PRECAUCIÓN: EL USO DE CUALQUIER CONTROL, AJUSTES, O PROCEDIMIENTOS APARTE DE LOS QUE AQUÍ SE ESPECIFICAN PUDIERA RESULTAR EN EXPONERSE A RADIACIÓN PELIGROSA.

PRECAUCIÓN: Hay radiaciones invisibles de láser que pueden ser emitidas cuando abrir o cuando el aparato está con defecto. Evite la exposición al rayo.



Atención: Mudanzas o modificaciones de este juego, no expresamente aprobadas y autorizadas por el fabricante, pueden invalidar la autoridad del usuario para operar el equipamiento.

NOTA: Este equipamiento fue probado y obedece a las normas de aparato digital de Clase B, de acuerdo con la Parte 15 de las Reglas FCC. Estas normas fueron establecidas para tener una protección razonable contra interferencias perjudiciales en instalaciones residenciales. Este equipamiento genera, utiliza y puede irradiar energía de radiofrecuencia y sí no es instalado o usado de acuerdo con las instrucciones, podrá causar interferencias perjudiciales para las radiocomunicaciones. Por lo tanto no hay garantía de que las interferencias no ocurrirán en una determinada instalación. Sí este equipamiento causar interferencias perjudiciales a la recepción de radio o televisión, lo que puede ser determinado activando o desactivando el equipamiento, se aconseja al usuario corregir el problema adoptando las siguientes medidas:

- Reorientar o reposicionar la antena de recepción.
- Aumentar la distancia entre el equipamiento y el receptor.
- Conectar el equipamiento en un enchufe diferente del circuito al cual el receptor está conectado.
- Consultar el revendedor o un técnico de radio y televisión.

INTRODUCCIÓN

Su Sistema de Karaoke CD/CDG con Pedestal le proporcionará diversión y entretenimiento. Usted será la “estrella” cantando con sus grabaciones favoritas así como escuchando a su voz con la música a través de los altoparlantes del sistema.

Este aparato de karaoke es compacto y diseñado para incluir muchas funciones, todavía es fácil usar. Después de algunas instrucciones sencillas, UD puede tornarse un experto. Antes de que usted intente usar su unidad, por favor lea este manual completamente para familiarizarse con todas las funciones disponibles y las secciones del manual que describen su funcionamiento. A seguir vaya para la sección de la operación específica que UD quiere ejecutar.

Para una consulta fácil, aquí está una lista con las principales características del Centro Karaoke:

Letra de la música en la pantalla de la TV - muestra la letra de la música con el tiempo de la música al reproducir los discos CDG.

Control Automático de Voz (A.V.C.) - le permite substituir su propia voz por la voz del cantante original cuando se toca un disco multiplex pregrabado. Para activar, gire el Volumen del MIC a un nivel confortable de escucha y el Control Auto Voice para el mejor equilibrio entre los niveles de playback y micrófono.

Control Balance - le permite ajustar el balance entre la voz pregrabada del cantante original y la música cuando se usa un disco de karaoke multiplex.

Control Echo - le permite añadir un eco para realzar su propia voz y producir un efecto de sala de conciertos.

Controle Master Volume - le permite girar el control del volumen en el sentido de las agujas del reloj o en el sentido contrario.

KaraokeVision™ - la lente de la cámara integrada mostrará su propia imagen en el monitor de la Singing Machine o en la televisión.

Altoparlante Estéreo Incorporado - le permite a usted compartir la música con sus familiares o sus amigos.

Toma de Salida Auxiliar - le permite conectar otro componente de audio, como un ecualizador /booster o un sistema de PA.

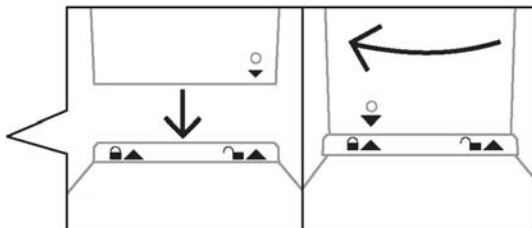
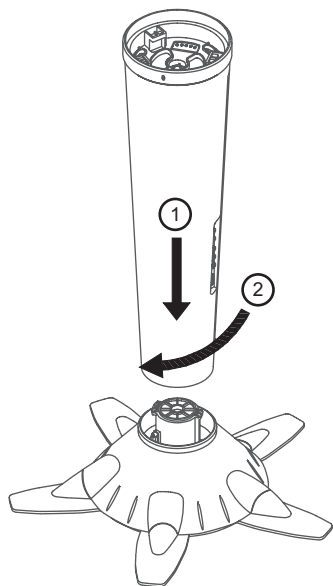
Toma conexión de Fono - le permite conectar los auriculares como otra manera de escuchar sin usar el altoparlante integrado del sistema.

Estación de acoplamiento (docking) de iPod - La estación de docking de iPod es compatible con los modelos iPod Video. El soporte del sistema de audio para el iPod le permite a usted sencillamente enchufar y presionar “play” para recuperar la discoteca completa de música contenida en su reproductor musical iPod. El sistema de altoparlantes de su Singing Machine producirá un sonido agradable.

INSTALACIÓN

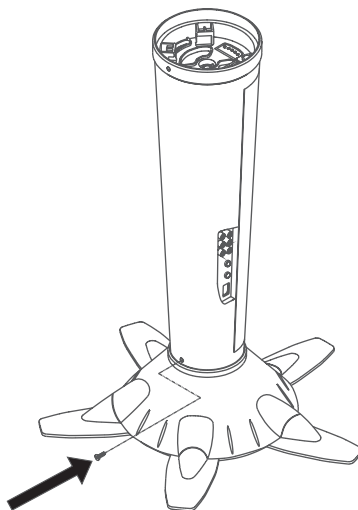
PASO 1

1. Instale el portavoz (medio) en el soporte (fondo) según la ilustración de la instalación.



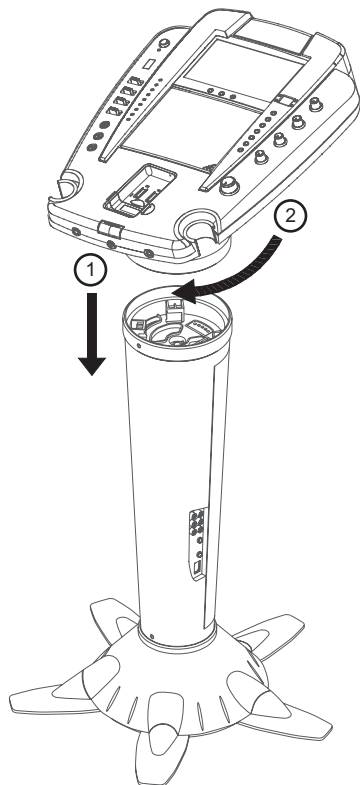
PASO 2

2. Apriete un tornillo taladrando al fondo del portavoz (medio).



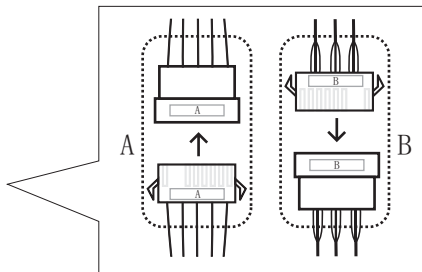
INSTALACIÓN

ESPAÑOL

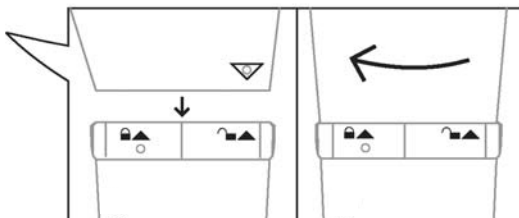


PASO 3

3. Instale el panel de control (cima) en el portavoz (medio) según la ilustración de la instalación.

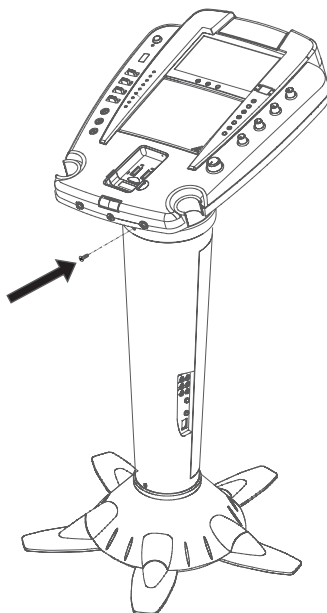


Seguir las etiquetas (A hasta A & B hasta B) para conectar los conectores.

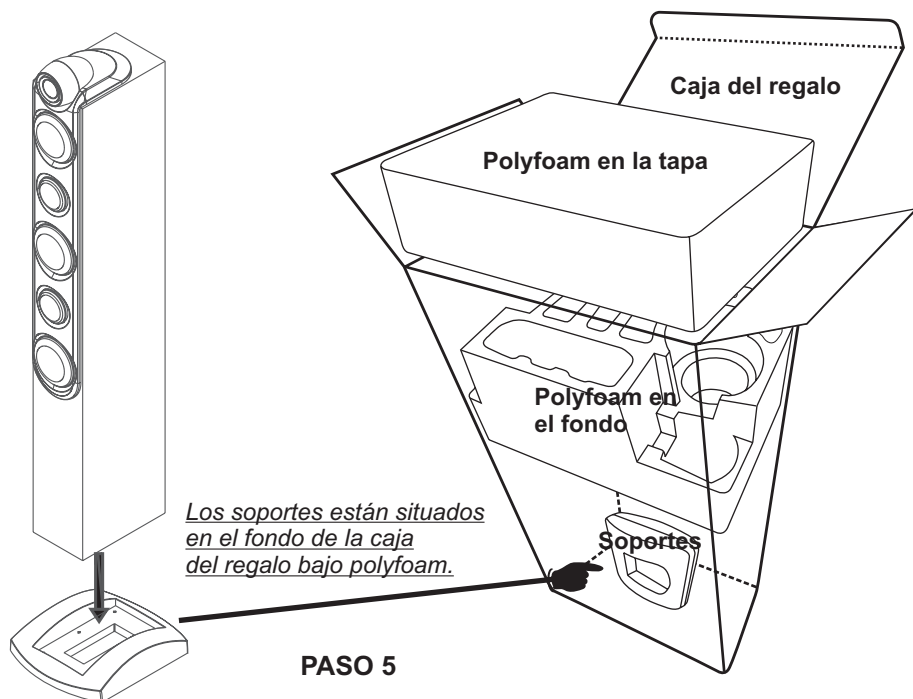


PASO 4

4. Apriete un tornillo taladrando al el panel de control (cima).

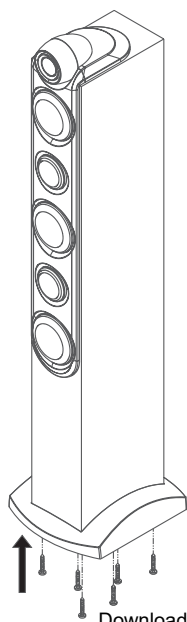


INSTRUCCIONES DE INSTALACIÓN PARA LOS ALTOPARLANTES DE LA TORRE



PASO 5

5. Instale el portavoz en el soporte según la ilustración de la instalación.

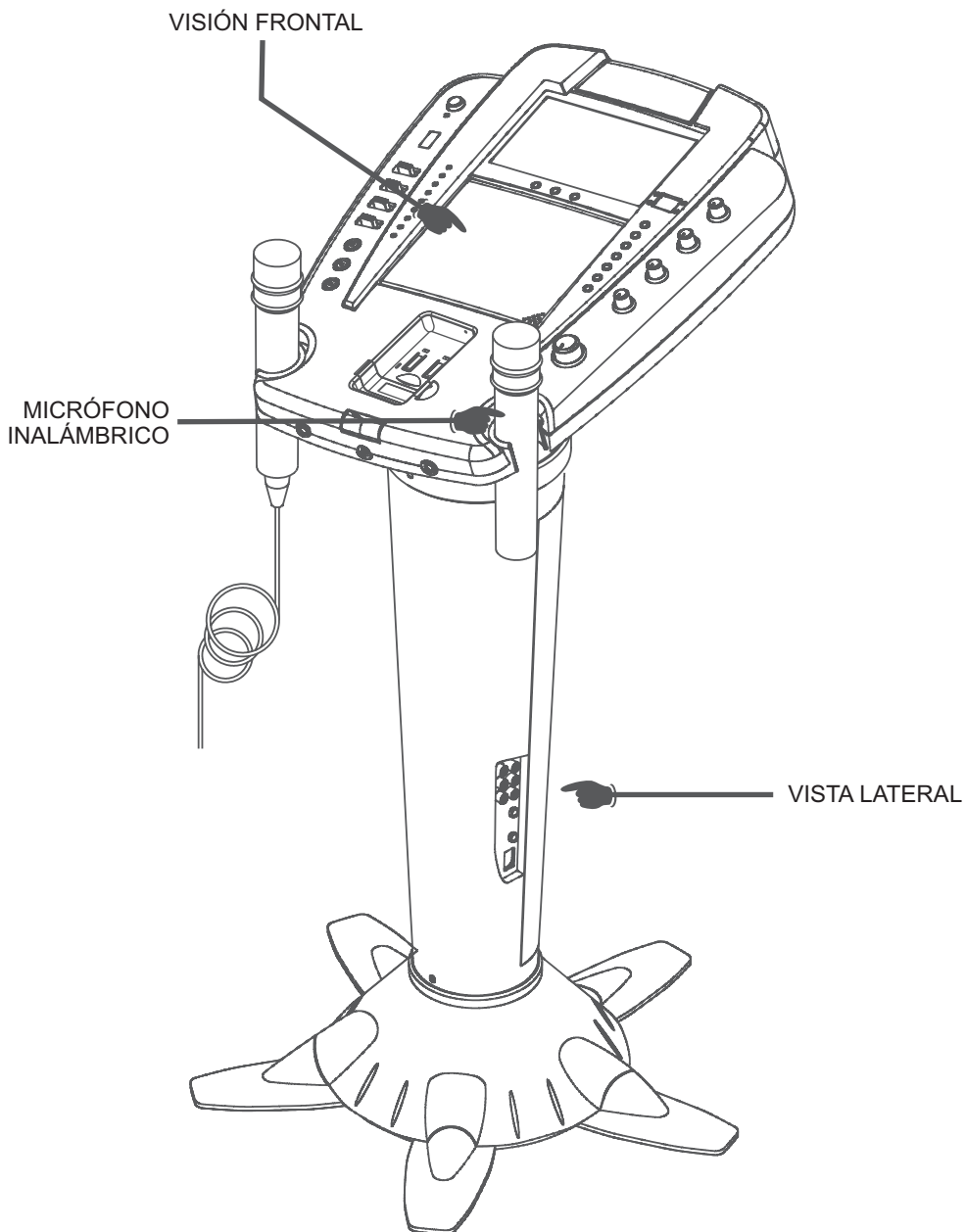


PASO 6

6. Apriete los seis tornillos de la base del altoparlante.

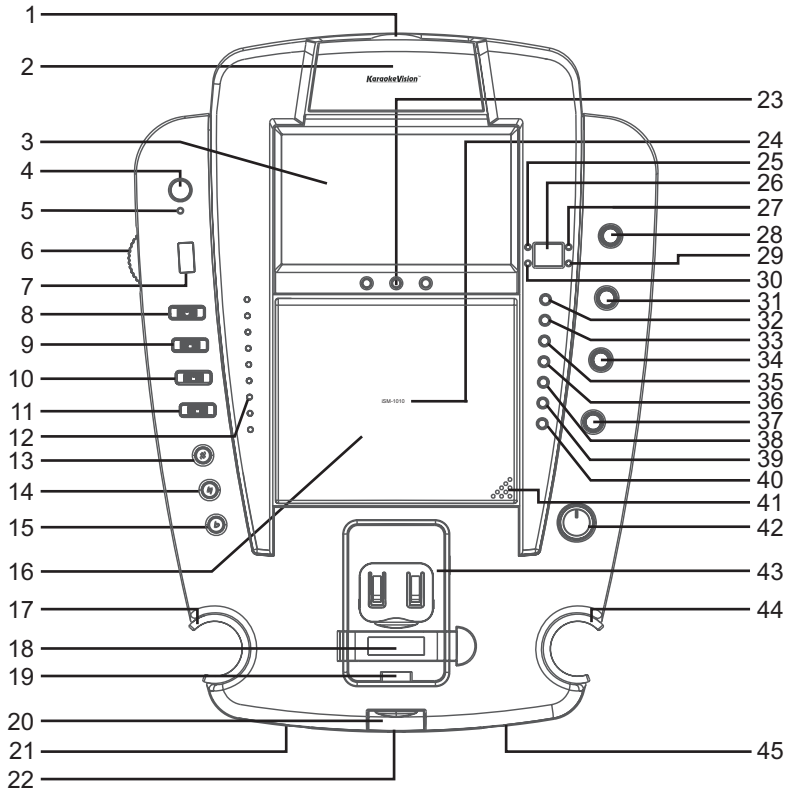
LOCALIZACIÓN DE CONTROLES

La localización de los controles está indicada en las próximas páginas.



LOCALIZACIÓN DE CONTROLES

ESPAÑOL

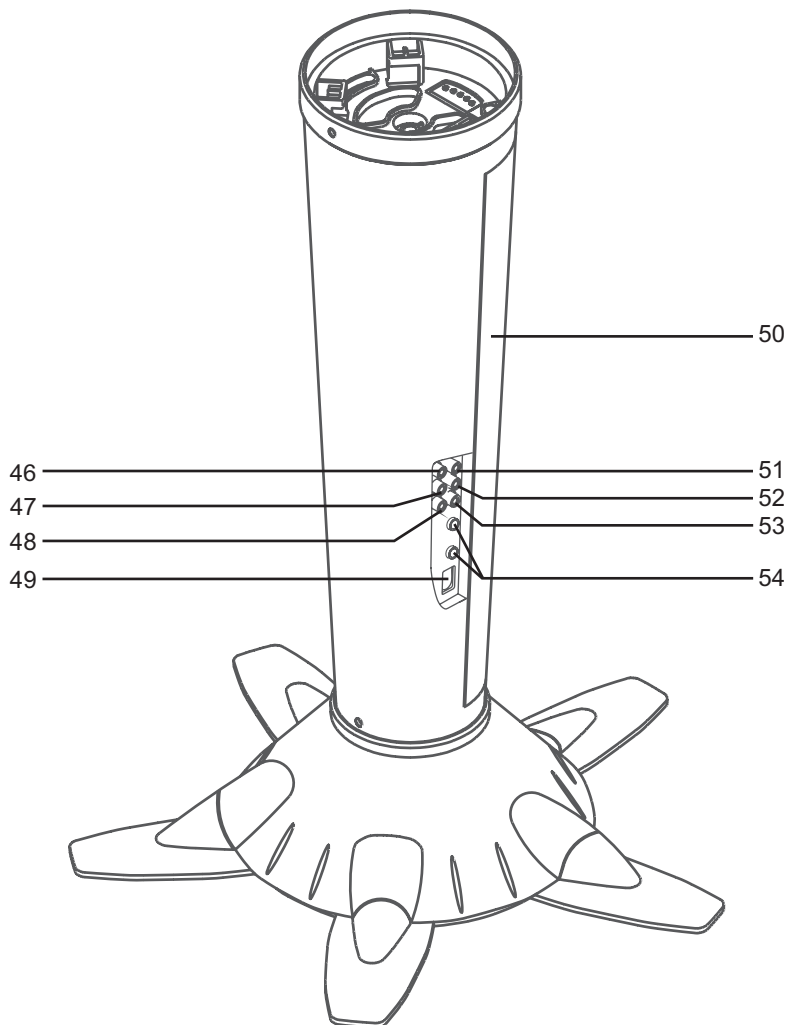


FRONT VIEW

- | | | |
|--|---|-------------------------------|
| 1. Botón de abertura de la lente de cámara | 14. Key Flat | 31. Control ECHO |
| 2. Lente de la Cámara Regulable | 15. Key Low | 32. Botón REPEAT |
| 3. Pantalla en colores TFT LCD de 7" | 16. Puerta del CD | 33. Botón PROGRAM |
| 4. Botón Encender/Apagar | 17. Soporte de los Micrófono | 34. Control Automático de Voz |
| 5. LED Encender/Apagar | 18. Hebilla de sujeción de iPod | 35. Botón RANDOM |
| 6. Botón de Sintonía | 19. Acoplamiento (dock) universal para iPod | 36. Botón SKIP ►► |
| 7. Indicador del dial | 20. Librador de dock de iPod | 37. Control BALANCE |
| 8. Selector de Banda | 21. Conectador MIC 1 | 38. Botón SKIP ◀◀ |
| 9. Selector MONITOR | 22. Toma para fono de oído | 39. Botón STOP |
| 10. Selector de SALIDA VIDEO | 23. Botones LCD ADJ. | 40. Botón PLAY/PAUSE |
| 11. FUNCIÓN SELECCIONAR | 24. Numero del Modelo | 41. Punto ABRIR/CERRAR |
| 12. LED de control de KEY | 25. LED PROGRAMA | 42. Control MASTER VOLUME |
| 13. Key High | 26. LED | 43. Compartimiento para iPod |
| | 27. LED LECTURE/PAUSE | 44. Soporte de los Micrófono |
| | 28. Control MIC VOLUME | 45. Conectador MIC 2 |
| | 29. LED de CDG | |
| | 30. LED REPEAT | |

LOCALIZACIÓN DE CONTROLES

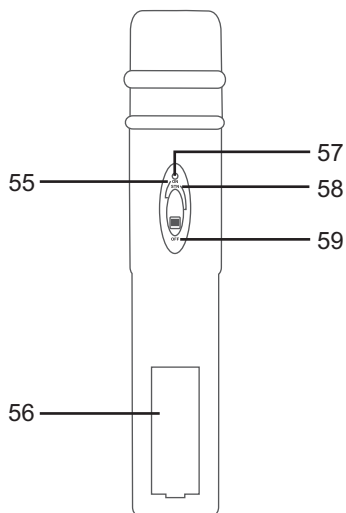
ESPAÑOL



VISTA LATERAL

- | | |
|-------------------------------------|---------------------------------|
| 46. Toma de Entrada Auxiliar (E) | 51. Toma de Salida Auxiliar (E) |
| 47. Toma de Entrada Auxiliar (D) | 52. Toma de Salida Auxiliar (D) |
| 48. Toma de VIDEO IN | 53. Toma de VIDEO OUT |
| 49. Jack del cable de suministro AC | 54. Toma del ALTAVOZ (E/D) |
| 50. Altoparlante | |

LOCALIZACIÓN DE LOS CONTROLES DEL MICRÓFONO INALÁMBRICO



MICRÓFONO INALÁMBRICO

55. Posición ON

56. Compartimiento de las pilas

57. Indicador del LED

58. Posición STANDBY

59. Posición OFF

HACIENDO LAS CONEXIONES

CONECTANDO A LA ENERGÍA DE LA RED

UD puede alimentar el sistema del tomacorriente normal de CA usando el cable de energía suministrado.

CAUIDADO: El cable de energía CA tiene un conector polarizado que se encaja en la toma, de una forma única. Sí el conector no encaja correctamente, delo vuelta e intente de nuevo. No fuerce.

CONECTANDO A SU FONOS

Existe una conexión para uso de un fono de oído, en vez del altavoz interno. (Fonos de oído, son vendidos separadamente.)

ADVERTENCIAS: El exceso de sonido en los audífonos puede causar una pérdida de audición.

CONEXIÓN AL APARATO DE TV

La Singing Machine incluye cables de RCA para dale a usted la opción de conectarla a un sistema externo de audio/sonido y/o un aparato de video. Los cables llevan tres enchufes RCA en cada extremo; el Blanco y el Rojo son para las conexiones de audio de la izquierda y de la derecha; el Amarillo es para conectar el video. .

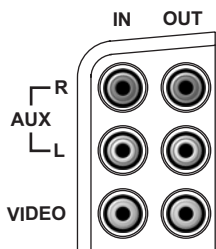
Se recomienda que un disco de CDG esté jugando mientras usted conecte su televisión o VCR. El despliegue del logotipo de la Singing Machine o letras en la pantalla de su televisión asegurará que usted ha conectado su televisión o VCR propiamente.

CONEXIÓN DE VIDEO

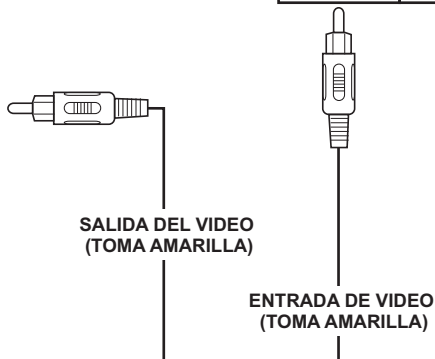
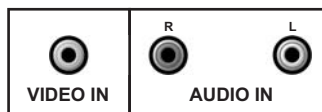
Siga los pasos abajo, para exhibir las letras de las músicas CDG en el monitor de la Singing Machine, pantalla de TV:

- (1) Localice los cables de interconexión multicolores.
- (2) Conecte el cable video (Amarillo) a la salida VIDEO en el lado de la Singing Machine.
- (3) Conecte la otra punta del cable de video (amarillo) a la salida de video de otra fuente tal como VCR o TV.

VISTA LATERAL DE LA SINGING MACHINE



VISTA POSTERIOR DE LA TV



HACIENDO LAS CONEXIONES

Sí su televisión o VCR no tiene la entrada de video necesaria, UD necesitará de un Modulador RF, que se conecta a la entrada de la antena o de línea de cable de su TV y sirve como entrada de video.

Un modulador de RF puede ser adquirido en cualquier tienda de artículos electrónicos. Sí UD estuviera conectando el video de una Singing Machine en la toma de entrada de video de una TV o VCR, UD debe especificar el origen que la TV o VCR deben exhibir. El guía de usuario de su TV o VCR pueden le decir como exhibir el señal de video de la toma de entrada de video.

Sí UD no tiene el manual de su TV o VCR, sugerimos llamar el departamento de asistencia técnica del fabricante. Solamente el fabricante será capaz de decir, rápidamente, como configurar su TV o VCR para visualizar la señal de video, entrando pela toma de entrada de video.

* Anotar: Algunos aparatos de TV con proyección no exhiben el fondo azul estándar usado, en la mayoría de los CDG propietarios. Sí el color de fondo fuera inconsistente o parpadear, conecte su Singing Machine a una TV estándar.

FORMAS COMUNES DE CONFIGURAR SU TV O VCR

Su Singing Machine fue proyectada para conectarse a su TV de la misma manera que UD conecta una cámara de video, VCR o consola de video game. La Singing Machina está enviando, constantemente, señales de video y de audio para las tomas VIDEO OUT y AUX OUT siempre que UD toca un CDG. Nosotros recomendamos tocar un CDG en su Singing Machine antes de hacer estas conexiones. Usted podrá ver las letras en su televisión cuando usted completar la conexión correctamente.

Nosotros nos referimos a TV/VCR porque fabricantes usan formas muy semejantes para conectar TVs y VCRs y UD puede conectar su Singing Machine a una TV, un VCR o a un sistema de satélite. La configuración de su TV/VCR es la parte más difícil al hacer la conexión para visualizar las letras de las músicas de su Singing Machine. E la mayoría de las casas, la TV tiene un cable o una antena en uso. Una vez usted su Singing Machine conectada al TV/VCR, escoja la entrada correcta en su TV/VCR desplegar las letras de La Singing Machine en lugar de la entrada usual del cable o antena.

Verifique en el manual de usuario de su TV/VCR, la forma más fácil de configurar su sistema de entretenimiento en particular. Si usted no tiene su manual contacte su fabricante de TV /VCR para informaciones por el teléfono o en su website para ayuda en línea. Relacionamos abajo las formas más comunes de ajustar una TV/VCR.

- (1) En el menú de configuración de la TV/VCR puede haber una opción para "Selección de Entrada" donde UD puede escoger entre "CAO/ANT", "Video 1" o "Video 2" como fuente de entrada.
- (2) Intente localizar un canal "Video" entre el canal más alto y el canal más bajo en su televisión o VCR. (entre 99 y 2; también puede ser uno de los siguientes: "VIDEO", "ENTRADA" o "JUEGO")
- (3) Busque un botón en el telemando para el TV/VCR que usted está conectando desplegando "VIDEO", "VIDEO 1", "JUEGO", "AUX", "EXT", "LÍNEA 1", "LÍNEA-EN" o el botón de "VCR" podrá también desplegar la entrada Video.

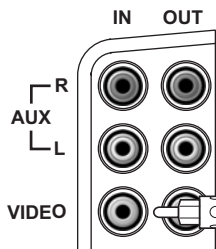
HACIENDO LAS CONEXIONES

CONECTANDO UN COMPONENTE DE VIDEO EN LA ENTRADA

Siga los pasos abajo, para exhibir las letras de las músicas CDG en el monitor de la Singing Machine, de otra fuente de video:

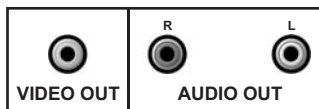
- (1) Localice los cables de interconexión multicolores.
- (2) Conectar el cable vídeo (amarillo) a la entrada Vídeo en el lado de la Singing Machine.
- (3) Conecte la otra punta del cable de video (amarillo) a la salida de video de otra fuente tal como VCR.
- (4) Ponga el selector FUNCTION en la posición AUX y el selector MONITOR en la posición AUX.

VISTA LATERAL DE LA SINGING MACHINE



ENTRADA DE VIDEO
(TOMA AMARILLA)

VISTA POSTERIOR DE LA VCR

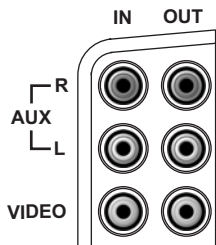


SALIDA DEL VIDEO
(TOMA AMARILLA)

CONEXIÓN DE AUDIO

Conecte la unidad a su televisor o sistema estereofónico de la casa usando las conexiones Blanca y Roja de los cables RCA que se incluyen. Enchufe el extremo blanco del cable de parche en el enchufe (jack) blanco AUX OUT de la unidad. Enchufe el extremo rojo del cable RCA en el enchufe (jack) rojo AUX OUT de la unidad. Conecte ahora la otra punta del cable (conector blanco del canal izquierdo y conector rojo del canal derecho) en las enchufes AUDIO IN o AUX IN de su TV o sistema de son.

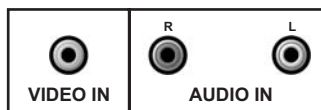
VISTA LATERAL DE LA SINGING MACHINE



SALIDA AUXILIAR
D
(TOMA BLANCA)

SALIDA AUXILIAR
E
(TOMA ROJA)

VISTA POSTERIOR DE LA TV



ENTRADA
DE AUDIO E
(TOMA ROJA)

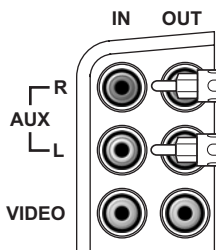
ENTRADA
DE AUDIO D
(TOMA BLANCA)

HACIENDO LAS CONEXIONES

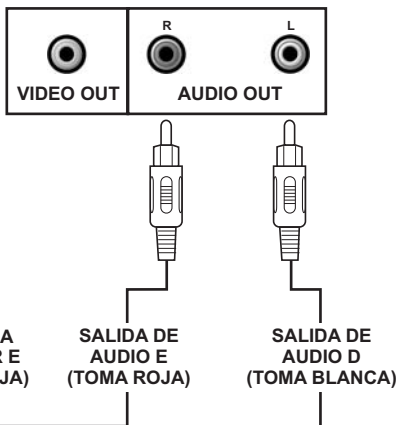
CONECTANDO UN COMPONENTE DE AUDIO EN LA ENTRADA

Para conectar otra fuente de audio (tal como un Sintonizador, Receptor AV o un VCR) de forma que UD pueda acompañar la música, conecte, simplemente, las tomas de Salida de Audio (tomas RCA roja y blanca) de este equipo a las tomas AUX IN D y E de la Singing Machine.

VISTA LATERAL DE LA SINGING MACHINE



OTROS COMPONENTES DE AUDIO



SELECCIÓN MONITOR

- Para reproducir un CDG, deje el selector MONITOR en el modo CÁMERA, iPod/CDG, AUX u OFF.
- Para exhibir las letras de las músicas del CDG en el monitor de la Singing Machine, deje el selector MONITOR en el modo iPod/CDG.
- Para exhibir su imagen en el monitor de la Singing Machine, deje el selector MONITOR en el modo CÁMARA.
- Para desplegar un señal video de otro componente A/V, ponga el Seleccionador de FUNCIÓN al modo AUX y el Seleccionador del MONITOR al modo AUX.
- Para el monitor de la Singing Machine, deje el selector MONITOR en el modo OFF.
- Ajuste los botones LCD ADJ. situados bajo el monitor LCD de su Singing Machine para obtener una mejor cualidad de imagen. (#23 anotado en la localización de controles en la página S8)

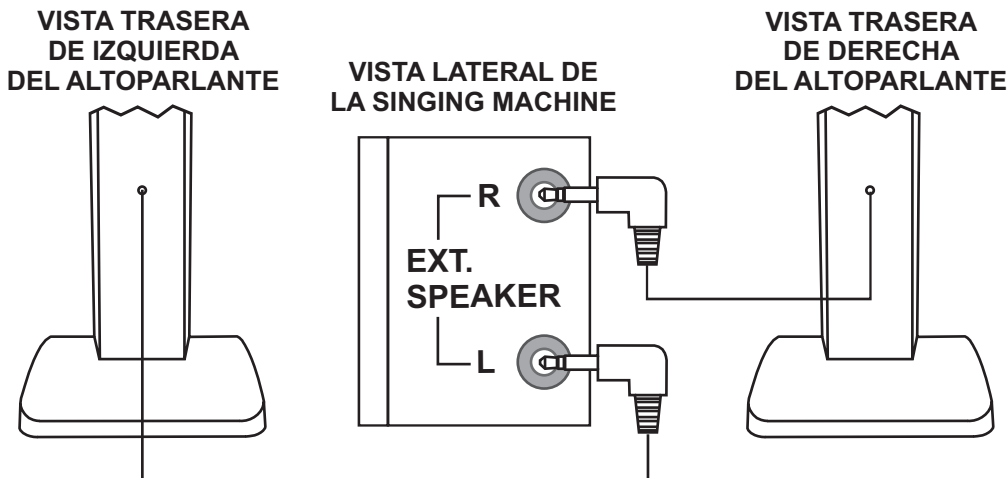
SELECTOR SALIDA VIDEO

- Para exhibir la imagen en la TV, deje el selector FUNCTION en la posición iPod, CDG ou AUX y deje el selector SALIDA VIDEO en el modo CAMERA.
- Para exhibir las letras de las músicas del CDG en la TV, deje el selector FUNCTION en la posición CDG y deje el selector SALIDA VIDEO en el modo iPod/CDG.

HACIENDO LAS CONEXIONES

CONECTANDO A LA SINGING MACHINE

1. Antes de conectar a los altoparlantes, apague la Singing Machine y ajuste el volumen principal y volumen del micrófono al mínimo.
2. Conecte los altoparlantes a la Singing Machine de acuerdo con la ilustración que se ve más abajo.
3. Encienda la Singing Machine. Ajuste el Volumen principal y Volumen de Micrófono en su Singing Machine a un nivel cómodo.



OPERACIÓN CD O CD+G

- * **Advertencia - Golpeando o dejando caer el micrófono conectado, puede dañarlo, permanentemente. Resista a la necesidad de tirar el micrófono por el cable!**

PREPARACIÓN

Esta unidad ha sido diseñada para tocar discos CD/CD+G que llevan el logotipo de identificación "COMPACT DISC DIGITAL AUDIO". Si los CD/CD+G no se conforman a los estándares particulares, puede que no funcionen correctamente.

- Impresiones digitales y polvo deben ser, cuidadosamente, removidos con un paño suave. Pase el paño con un movimiento del centro del disco para el borde externo.
- Jamás use productos químicos tales como sprays de limpieza, sprays antiestáticos o fluidos, benceno o thinner para limpiar un CD. Estos productos químicos pueden dañar, permanentemente, la superficie de plástico del disco.
- Instale un disco en el compartimiento, con el lado impreso para arriba.
- Para remover un disco de su caja, presione el centro de la caja y levante el disco, tomándolo, cuidadosamente, por las bordes.
- Los discos deben ser colocados, de nuevo, en sus cajas después del uso, para protegerlos del polvo y arañazos.
- Para evitar que el disco quede chueco, no lo exponga a la luz directa del sol, ni a un alto índice de humedad o a altas temperaturas, por períodos prolongados.
- No pegue papel ni escriba cualquier cosa, en cualquier fase del disco. Las pinturas usadas en algunos lápices hidrográficos pueden dañar la superficie del disco.

REPRODUCIENDO UN CD O CDG

- Ajuste los controles MASTER VOLUME de su unidad o sistema de audio, a su gusto.
- Ajuste MIC/ECHO/BALANCE lo necesario para alcanzar la mezcla deseada de música y voz, en su TV o equipo de música.
- No presione el gabinete del compartimiento del CD, cuando el mismo esté en reproducción.
- Nunca ponga ningún objeto extraño sobre la Singing Machine, podrían dañarla.
- No ponga fuerza en exceso en la tapa del disco.
- Ponga solamente un disco en el compartimiento de D de una sola vez.

ENCENDIENDO Y APAGANDO

- Para encender el centro de karaoke, apriete el botón ON/OFF, el LED ON/OFF encenderá.
- Para desligar el sistema, presione el botón Encender/Apagar de nuevo, el LED de Encender/Apagar apaga.

FUNCIÓN SELECCIONAR

Ponga la llave FUNCTION SELECT en CDG.

INSTALANDO UN DISCO

- Levantar la tapa del compartimiento de CD en el punto ABRIR / CERRAR. Instale un disco en el compartimiento, con el lado impreso para arriba y el lado brillante para bajo.
- Cerrar el compartimiento de CD. El visor del LED muestra el número total de pistas. (Si ningún disco está cargado, el visor mostrará " - - ").

(Consulte el Guía de Diagnóstico y Reparaciones en la página S22 si el disco estuviera cargado, mas el total de pistas no aparezca.)

OPERACIÓN CD O CD+G

MODO PLAY/PAUSE

- Para empezar a tocar, presione el botón PLAY/PAUSE. La primera trilla [1] y el indicador del LED PLAY PAUSE será vistos.
- Para interrumpir la reproducción, presione el botón PLAY/PAUSE de nuevo. El LED PLAY/PAUSE parpadea.
- Para continuar a reproducir, presione, de nuevo, el botón.

ANOTACIONE: Presionando PAUSE cuando un CDG está tocando, puede hacer con que letras distorcidas aparezcan en el monitor. Cualquier distorsión debe permanecer hasta que toda la pantalla sea borrada, durante una interrupción instrumental o cuando UD para la canción y reinicia.

MODO STOP

Sí el botón STOP es presionado durante la reproducción, el disco interrumpe la reproducción. (El número total de pistas será mostrado en el visor LED.)

SALTE REPRODUCCIÓN (PARA DISCOS CD Y CDG)

- Durante el modo STOP, UD puede saltar hasta el número de trilla deseado, pulsando los botón SKIP (◀◀ - SKIP - ▶▶).
- Para continuar a reproducir, presione de nuevo el botón PLAY/PAUSE.

¿CÓMO BUSCAR PISTAS? (SOLAMENTE PARA CD)

Al tocar cualquier CD de audio, presione y mantenga presionado el botón SKIP (◀◀ -SKIP- ▶▶) para hacer una búsqueda, en alta velocidad, para adelante e para tras. Reproducción normal continua cuando UD suelta el botón.

REPITA

- Para repetir la pista actual, presione el botón REPEAT. El LED REPEAT parpadea y la trilla será repetida.
- Para repetir todas las huellas, apriete el botón REPITA dos veces. El LED REPEAT permanecerá iluminado.
- Para cancelar la función REPEAT, apriete el botón REPEAT de nuevo. El LED REPEAT ya no iluminará.

PROGRAMA

- Use el botón PROGRAM para reproducir las músicas en el orden preseleccionado.
 - Paso 1: La programación debe ser hecha en el modo de parada. Solamente presione la tecla de programa hasta que el LED de programa parpadee, la pista será mostrada [0].
 - Paso 2: Presione el botón SKIP (◀◀-SKIP-▶▶) para seleccionar una pista deseada.
 - Paso 3: Presione el botón PROGRAM, para confirmar la entrada. UD puede repetir los pasos hasta un máximo de 20 pista.
 - Paso 4: Presione PLAY cuando UD tenga completado la programación y esté listo para empezar a cantar.
- Para borrar todas las memorias de programación, presione el botón STOP.

RANDOM

- Apriete el botón RANDOM para posibilitar la visión de todos las pistas del disco en secuencia aleatoria.
- Apriete el botón STOP para cancelar el modo aleatorio.

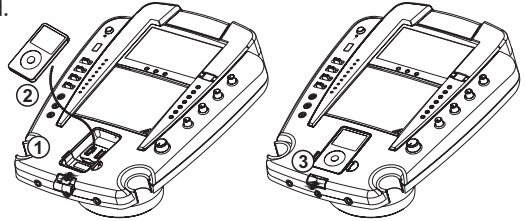
CONTROLADOR PRINCIPAL

- Apretando la el botón KEY HIGH / KEY LOW permitirá ajustar los rangos diferentes como mostrado por el LED.
- El botón KEY FLAT se usa para ajustar al nivel predefinido.
- KEY HIGH se usa para aumentar el nivel.
- KEY LOW se usa para bajar el nivel.

OPERACIÓN iPod (para iPod con video)

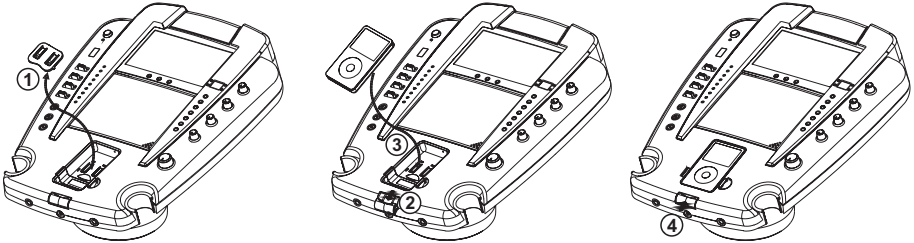
INSTALACIÓN de iPod con video - para 30G (no incluye el iPod)

1. Tire hacia abajo la hebilla de sujeción de iPod.
2. Coloque un iPod en la estación de acoplamiento (docking) de iPod.
3. Empuje para arriba la hebilla de sujeción de iPod.



INSTALACIÓN de iPod con video - para 60G u 80G (no se incluye el iPod)

1. Retire el adaptador.
2. Tire hacia abajo la hebilla de sujeción de iPod.
3. Coloque un iPod en la estación de acoplamiento (docking) de iPod.
4. Empuje para arriba la hebilla de sujeción de iPod.



CARACTERÍSTICAS PARA SU IPOD

- Reproduce el contenido de videos de su iPod en la ancha pantalla de 7" TFT LCD.
- Capacidad para desplegar los videos favoritos en su iPod por su propia televisión.
- Puede cargar su iPod.
- Acoplamiento integral para su iPod con video (30G, 60G y 80G).

COMO CARGAR SU IPOD

1. Coloque cuidadosamente su IPOD en la estación de acoplamiento.
2. Presione el botón ON/OFF de la unidad y se cargará su IPOD automáticamente.

COMO VER LOS VIDEOS DE SU IPOD EN LA PANTALLA LCD TFT EN COLORES DE 7"

Para encender la unidad, corra el interruptor selector de MONITOR a la posición iPod/CDG. Para ver sus videos de IPOD favoritos en la pantalla LCD de 7" en colores siga las instrucciones a continuación:

1. En la pantalla de menú de su iPod, seleccione la opción "Videos."
2. En la próxima pantalla de menú, seleccione la opción "Video Settings."
3. En la próxima pantalla de menú, seleccione la opción "TV Out" y actívela.
4. Instale su iPod en la estación de acoplamiento.
5. Navegue por la pantalla de menú de su iPod hasta encontrar su video favorito.
6. Abra el archivo del video y véalo en la pantalla LCD de 7" en colores. Use el iPod para abrir y controlar las canciones, fotos y archivos de videos que usted desee. Entonces el sistema responderá al comando que usted le dé.

OPERACIÓN DE OTORS Y RADIO

RADIO AM/FM

1. Presione el Botón Encender/Apagar.
2. Ponga el selector FUNCTION en la posición RADIO.
3. Ponga BAND SELECTOR en la posición radio AM o FM.
4. Gire el botón de sintonía para seleccionar la estación deseada como indicación en el dial.
5. Ajuste el MASTER VOLUME para el nivel de sonido deseado.
6. Para desligar la radio, deje el selector FUNCTION en la posición iPod, CDG o AUX.

ACOMPÁÑE (SING ALONG) – TRANSMISIÓN RADIO

1. Siga las instrucciones de operación para AM RADIO/FM RADIO Broadcasting.
2. Conecte el micrófono suministrado a una de las toma (as) de entrada MIC.
3. Ajuste MASTER VOLUME y MIC VOLUME. Su voz será combinada con la salida del estación de radio y será oída por los altoparlantes.

AMPLIFICACIÓN DE LA POTENCIA – USANDO UN MICRÓFONO

Procedimiento de Operación con la Amplificación de Potencia

1. Conecte el micrófono suministrado a una de las toma (as) de entrada MIC.
2. Presione el Botón Encender/Apagar para encender el aparato.
3. Presione el botón selector FUNCTION para seleccionar la función "AUX". Ponga el control MIC VOLUME en la posición central.
4. Conecte el Micrófono con el selector ON/OFF localizado en el propio micrófono y hable o cante, a través del. La sensibilidad y el volumen del micrófono pueden ser ajustados, como deseado, girando el control de VOLUME MIC y/el control MASTER VOLUME.
5. Para dar profundidad y ambiente a su voz, ajuste el control de ECHO, hasta que el efecto deseado sea conseguido.

Anotacione: Para evitar feedback o chillados, verifique si el micrófono no está cerca demás del unidad.

FUNCIONAMIENTO DEL MICRÓFONO INALÁMBRICO SMM-107A

- 1) Abra la tapa del compartimiento de las pilas.
- 2) Ponga una batería de 9V en el compartimiento como indicado, respetando la polaridad (+ o -) indicada en el compartimiento el micrófono inalámbrico

Anotacione: la batería 9V no es interior incluido el empaquetado.

- 3) Recoloque la tapa.
- 4) El micrófono inalámbrico tiene tres posiciones:

1. ON - El interruptor está en la posición superior. El micrófono funciona. La luz indicadora roja está prendida. El micrófono usa la energía de la batería.
2. STANDBY – Llave en la posición intermediaria. El micrófono no funciona. El indicador rojo se ilumina.

Anotacione: El objetivo de este ajuste es mantener una conexión entre el micrófono y la Singing Machine, al moverse en la área en que se está usando. (Esta función también podría ser considerada una función silenciosa)

3. OFF - El interruptor está en la posición inferior. El micrófono no funciona. La luz indicadora roja está apagada. El micrófono no usa la energía de la batería.

Anotacione: Para garantizar una duración mayor de batería, por favor asegúrese bien de que el micrófono inalámbrico esté puesto en la posición OFF cuando no se esté usando. Cuando usted no usa el aparato durante un cierto tiempo, recomendase sacar la batería 9V DC.

INFORMACIONES DE MICRÓFONO INALÁMBRICO

Advertencia: alteraciones o modificaciones no aprobadas expresamente por los órganos responsables por la regulación de los equipamientos electrónicos podrán anular la autorización del usuario para operar el equipamiento.

ADVERTENCIA FCC

El sistema de micrófono inalámbrico está de acuerdo con la Parte 90 de la Reglamentaciones FCC. Hay una frecuencia disponible para el sistema. Una licencia es necesaria para la frecuencia que Usted intenta usar antes de usar el sistema.

Consulte el site Internet <http://wireless.fcc.gov/uls/> para pedir la licencia o telefonee para la oficina FCC más próxima para obtener el pedido necesario. La obtención de la licencia depende de la utilización que Usted va a hacer con el sistema.

Para exposición a RF

NOTA IMPORTANTE: Para obedecer los requisitos de FCC para exposición a RF, no se permite ningún cambio a la antena o el dispositivo. Cualquier cambio a la antena o el dispositivo podría producir exceso de exposición a los RF del sistema.”

INFORMACIÓN DE SEGURIDAD

Su micrófono inalámbrico contiene un transmisor de baja potencia. Cuando el EUT está encendido él manda señales de radio-frecuencia (RF). En agosto del 1996, la Comisión Federal de Comunicaciones (FCC) adoptó las reglamentaciones de exposición a los RF con niveles de seguridad para los dispositivos inalámbricos.

IMPORTANTE

Para respetar las reglamentaciones FCC de exposición a las RF sostiene el transmisor y antena por lo menos 1 pulgada (2,5 centímetros) de su cara y habla en una voz normal, con la antena apuntada para arriba y lejos de la cara. Asegure que la antena es por lo menos 1 pulgada (2,5 centímetros) de su cuerpo cuando usted usa su micrófono inalámbrico.

Use sólo la antena proporcionada. Antenas desautorizadas, modificaciones, o accesorios podrían dañar el transmisor y pueden violar las regulaciones de FCC.

OBSERVACIÓN: EL FABRICANTE NO ES RESPONSABLE POR CUALQUIER INTERFERENCIA EN APARATOS DE TV O RÁDIO CAUSADA POR MODIFICACIONES NO AUTORIZADAS EN ESTE EQUIPAMIENTO. TALES CAMBIOS PODRÁN CANCELAR LA AUTORIZACIÓN DEL USUARIO PARA OPERAR EL EQUIPAMIENTO.

La operación se sujeta a las. Sigüientes condiciones: (1) este aparato no puede causar interferencias dañinas y (2) este aparato debe aceptar toda interferencia incluyendo interferencias que pueden causar una operación no deseada.

CUIDADOS Y MANTENIMIENTO

INTERRUPTOR DE FUERZA

Después de utilizar la unidad, desconecte la energía eléctrica, presionando el botón Encender/Apagar.

LIMPIANDO LA UNIDAD

Para limpiar la parte externa de la unidad, refriegue con un paño limpio y suave, humedecido con agua potable, pura.

Limpiando las Lentes de Láser del CD

Para los Mejores Resultados: Use un disco de limpieza de lentes del CD, de acuerdo con las instrucciones del fabricante del disco de limpieza.

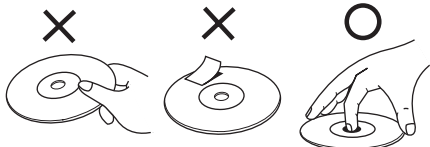
Si un disco de limpieza del cabezote del láser no estuviera disponible, use un paño de algodón seco, limpio, suave para pasar en la lente pequeña del láser, localizado en la toca CD.



Para evitar incendios o choques eléctricos, desconecte su sistema estéreo de la tomacorriente CA al hacer la limpieza.

CD MANIPULANDO EL DISCO

A pesar de las trillas musicales del disco estar cubiertas con una capa de protección, es aconsejable manosearlo con cuidado. Tome siempre los discos por el borde y guárdelos de vuelta en sus cajas, inmediatamente después del uso.



LIMPIEZA DEL DISCO

Limpieza no será siempre necesaria. No obstante, si hay impresiones digitales, polvo o suciedad, UD puede limpiarlas, con un paño suave, que no suelte pelusas. Pase el paño con un movimiento del centro del disco para el borde externo. UD puede humedecer primero el paño con agua natural de la llave, si necesario.



ATENCIÓN: No usar detergente o productos abrasivos porque podrían dañar el disco

LECTOR DE CD

El mecanismo de reproducción es equipado con un eje auto lubricante y no debe ser lubricado ni engrasado oiled or greased.

GUÍA DE DIAGNÓSTICO Y ARREGLO DE FALLAS

Si UD ha seguido las instrucciones y está con dificultades en operar la unidad, localice el PROBLEMA en la columna izquierda abajo. Verifique la columna CAUSA PROBABLE para localizar y reparar el problema.

PROBLEMA	CAUSA PROBABLE	SOLUCIÓN
Sin tensión cuando activado.	Conector CA no está conectado en la toma.	Instale el conector de alimentación en la conexión CA.
Sin tensión cuando conectado.	El cordón de suministro de energía no es conectado a su Singing Machine.	Conecte el cordón de suministro de energía firmemente.
Sin sonido.	Control de Volumen ajustado al mínimo.	Aumente el volumen.
Ningún sonido de televisión o PA	La función incorrecta fue seleccionada.	Seleccione la función correcta.
	Televisión o sistema PA al mínimo	Aumente el volumen de la televisión o sistema PA.
	Televisión o sistema PA desconectado.	AConecte la televisión o sistema PA.
	Los cordones de conexión no están firmemente conectados.	Asegure que los cordones de conexión blanco y rojo están firmemente conectados en La Singing Machine y el sistema de TV/PA
CD player no funciona normalmente o el LED despliegue "- -", "E" o "00"	Disco colocado con su fase al contrario.	Instale el disco correctamente.
	Disco está sucio.	Pase un paño suave y limpio.
	Disco está arañado.	Use un disco nuevo.
	Disco está chueco.	Use un disco nuevo.
	Un disco sin estandarización fue colocado.	Use solamente los discos que tengan el logotipo estándar como descrito en la página S16.
	Acumulo de humedad en el interior del deck de CD.	Espere aproximadamente 20 a 30 minutos para dejar secar.
	Singing Machine necesita ser reiniciada (reset).	Desconecte la máquina de la corriente durante 30 segundos y reconecte.

GUÍA DE DIAGNÓSTICO Y ARREGLO DE FALLAS

ESPAÑOL

PROBLEMA	CAUSA PROBABLE	SOLUCIÓN
Ningún sonido - cuando el audio es conectado a un sistema estéreo de casa	La selección de la fuente no está bien configurada en el estéreo.	Seleccione AUX IN como entrada para su equipo doméstico de música.
	Conexión inadecuada al sistema estéreo o amplificador de potencia.	Siga las instrucciones en la página S13 para conectando a un sistema estereofónico doméstico.
	Los cordones de conexión no están firmemente conectados.	Asegure que los cordones de conexión blanco y rojo están firmemente conectados en La Singing Machine y el sistema estereofónico.
La letra de la música no aparece en la pantalla.	Cable de video no está conectado correctamente en la TV.	Conecte el cable de video (amarillo) en VIDEO IN/OUT en la trasera de la Singing Machine (función de karaokè).
	TV no tiene una entrada de video.	Conecte el VIDEO OUT del sistema al VIDEO IN de su VCR, o conecte un Modulador de RF y de este para la entrada del cable de la TV. Consulte "Haciendo las Conexiones" en la página S12. Verifique si el disco esta CDG.
	Un disco sin estandarización fue colocado.	Utilice solamente los discos que llevan insignia estándar de CDG.
	Selector de Entrada en la TV no está en video.	Use su telemando de TELEVISIÓN para seleccionar la entrada VIDEO apropiada o seleccionar la entrada VIDEO apropiada en la propia TELEVISIÓN (Ver página S12 los Medios Comunes para configuración de su TV o Aparato de Video).
	Se ha cargado un CDG pero el indicador de CDG no está iluminado.	Verifique si el disco está limpio. (Vea las instrucciones de limpieza, en la página S21.)
Sin sonido (sí el audio estuviera pasando por TV o VCR).	Selección de Entrada en la TV o VCR no está correcta.	Siga las instrucciones en la página S13 para "Haciendo las Conexiones".
	Los cordones de conexión no están firmemente conectados.	Asegure que los cordones de conexión blanco y rojo están firmemente conectados en La Singing Machine y el TV/VCR.

GUÍA DE DIAGNÓSTICO Y ARREGLO DE FALLAS

PROBLEMA	CAUSA PROBABLE	SOLUCIÓN
Cuando un CDG es tocado y que Usted canta en el micrófono, la música de fondo o las voces son cortadas.	AVC está al máximo.	Regular AVC al mínimo.
	Toca solo la pista de música.	Toca la pista con música y voces.
El despliegue está borroso.	La cámara no ha calentado.	Espere un minuto por la cámara calentar.
	La Lente de la cámara está sucia.	Limpie la lente de la cámara.
	La Lente de la cámara está fuera de enfoque.	Ajuste la lente de la cámara girando ligeramente para la izquierda o derecha hasta que el despliegue esté claro. No vuelve la lente demasíadamente.
Ninguna imagen despliega en el monitor al intentar usar la función de la cámara.	Selector MONITOR no está en la posición correcta.	Ponga el selector MONITOR en el modo CÁMERA.
	El control de brillo no fue regulado correctamente en la Singing Machine.	Regular el de Brillo en la Singing Machine.
	La lente de la camera está para bajo.	Levante la lente de la cámara.
	La tapa de lente está cerrada.	Remover la tapa de lente.
La música & Voces están tocando a una velocidad alta.	El control Key está en High.	Ajuste el control Key para Flat.
Mientras toca una huella de CDG con música y voces sólo música u voces son tocados.	El equilibrio esta a izquierda o derecha.	Ajuste el equilibrio al medio punto.
El micrófono inalámbrico no está funcionando pero el LED se ilumina.	El micrófono no está en posición "ON".	Posicione el micrófono en posición "ON".
	El micrófono está en Posición "STN".	
	La batería está muerta.	Reemplace la batería.
El micrófono alambrado no es activo.	El micrófono no está en posición "ON".	Posicione el micrófono en posición "ON".
	El micrófono no está conectado firmemente a la enchufe del micrófono.	Asegure que el micrófono esté conectado firmemente a la enchufe 1 o 2 del micrófono.

DETALLES TÉCNICOS

SECCIÓN DE AUDIO: UNIDAD PRINCIPAL POTENCIA DE SALIDA (MÁXIMA) IMPEDANCIA DE SALIDA ALTOPARLANTES DE TORRE POTENCIA DE SALIDA (MÁXIMA) IMPEDANCIA DE SALIDA	7 WATTS (RMS) 3 OHMS 7 WATTS (RMS) 3 OHMS
SECCIÓN DEL CD PLAYER: FRECUENCIA DE RESPUESTA RELACIÓN SEÑAL/RUIDO RUIDO Y SISEO CONVERSIÓN D - A NÚMERO DE LOS PROGRAMAS SISTEMA DE MUESTRA	100 Hz - 20 kHz (+/-3 dB) 50dB (A-WTD) INMENSURABLE CONVERTOR D/A DE 1 BIT PROGRAMACIÓN DE ACCESO ALEATORIO DE 20 PASOS ANTIALIASING (REDUCCIÓN DE DISTORSIÓN) 8 VECES
SECCIÓN DEL MONITOR	MONITOR EN COLORS TFT LCD DE 7" SISTEMA NTSC
SECCIÓN DE RADIO: FAJA DE FRECUENCIA AM BANDA DE FRECUENCIA FM	530-1710KHz 88-108MHZ
MICRÓFONO CON CORDÓN	-74 dB 600 OHMS DE IMPEDANCIA CON MICRÓFONO DINÁMICO Ø 6.3mm
MICRÓFONO INALÁMBRICO	-74 dB 600 OHMS DE IMPEDANCIA CON FUENTES DE ALIMENTACIÓN: Batería de 9V x 1 (No incluidas)
SECCIÓN DE ALIMENTACIÓN	CA 110V-120V~60Hz
DIMENSIONES (ALTURA x ANCHO x PROFUNDIDAD)	37.5 x 17.7 x 17.1 pulgadas / 95.2 x 45.0 x 43.5 centímetros
PESO	34.6 lbs / 15.7 kgs
ACCESORIOS	1. CDG DE KARAOKÉ PREGRABADO 2. CABLE AV 3. TORNILLOS 4. CABLE DE ENERGÍA CA 5. iPod ADAPTADOR

Especificaciones son típicas, unidades individuales pueden tener variaciones. Ellos (ellas) están sujetas a mejoría constante sin previo aviso y sin incurrir en ninguna obligación.

GLOSARIO DE TÉRMINOS DE KARAOKÉ DE LA SINGING MACHINE

Además de toda la terminología asociada a los productos electrónicos de consumo, algunos ítems adicionales son usados casi exclusivamente en karaoke. Estos términos tienen el objetivo de familiarizarle con el mundo del karaoke. Los recursos enumerados abajo pueden no pertenecer, necesariamente, al modelo de Singing Machine que UD tiene. Abajo algunas explicaciones resumidas de los términos de Karaoke:

Control ECHO:

El eco da profundidad y resonancia a la voz del cantante, sin afectar la música. El eco es producido por una realimentación controlada de la voz del cantor.

Grabación Múltiple:

Nuestras grabaciones múltiple tienen 2 copias de la misma canción. Una versión es una grabación estereofónica de la canción sin la voz del cantor. La segunda versión es grabada con la música y voces de fondo, en el canal izquierdo y el cantor principal, en el canal derecho. Esta grabación "split track" (trilla compartida) permite que UD tenga un control del volumen de la voz del cantor principal ajustando el control de BALANCE. UD puede hacer un dueto con el cantor principal o usar el vocalista como un guía, para aprender la canción, reduciendo, gradualmente, el control de BALANCE, hasta que UD sea capaz de cantar la canción por UD mismo.

Control Automático de Voz (A.V.C.):

Cuando la función AVC es activada, las voces, en una grabación múltiple, son eliminadas así que el cantor empiece a cantar con el micrófono. Cuando el cantor para de cantar, las voces, en la grabación múltiple son inmediatamente reactivadas. Esta función útil es usada, principalmente, durante las secciones de ensayo, cuando el cantor está aprendiendo la canción. Por favor observe que la función de AVC sólo funciona con grabaciones múltiple y no con grabaciones normales de audio.

Control PITCH:

La función controla el tono de la música, controlando la velocidad, con la cual la cinta casete es reproducida. Aumentando la velocidad de la cinta, la música suena más aguda o más grave.

Controlador Principal:

Este control cambia el tono de la música CD/CDG (tonos + o -) para ajustar la voz del cantante.

CDG:

Esto es un acrónimo para Compact Disc más Graphics. UD encontrará también las variaciones CD+G y CD + imágenes (CD + Graphics). Él es un CD de audio normal, con informaciones almacenadas, en una trilla de datos, simultánea a la música. En lenguaje simple, CDG, tiene una salida de video para imágenes simples (no un video con movimientos completos). En el caso de karaoke, la función de imagen es usada para almacenar letras de música y visualizar la letra en sincronía con la música. En la mayoría de los casos el software CDG exhibe la letra de la música que cambia de color a la medida que ella debe ser cantada. Un aparato normal de televisión es todo lo que necesita para ver las letras del CDG.

ATENCIÓN - CDG es un tipo especial de sistema de codificación del CD que es diferente de un VCD o DVD. Su Singing Machine puede decodificar CDs normales de audio y discos CDG. Él no reproduce VCD o DVD.

Discos de audio estándar y cintas casetes no exhiben las letras de música en su TV. Los CD de audio, no tienen el software necesario para visualizar las letras de las músicas.

AVERTISSEMENTS

- POUR EVITER TOUT RISQUE DE CHOC ELECTRIQUE, N'EXPOSEZ PAS CET APPAREIL A LA PLUIE NI A L'HUMIDITE.
- CET APPAREIL DE DOIT PAS ETRE EXPOSE AUX GOUTTES D'EAU OU ECLABOUSSURES ET ON NE DOIT PAS PLACER D'OBJETS CONTENANT DE L'EAU COMME DES VASES AU-DESSUS DE LUI.



La lumière clignotante avec un symbole de flèche dans un triangle équilatéral sert à avertir l'utilisateur de la présence d'un « voltage dangereux » isolé à l'intérieur de l'appareil qui serait de puissance suffisante pour constituer un risque de choc électrique à des personnes.

AVERTISSEMENT


**RISQUE DE CHOC ELECTRIQUE
NE PAS OUVRIR**

AVERTISSEMENT : POUR REDUIRE LES RISQUES DE CHOC ELECTRIQUE, NE PAS ENLEVER LE COUVERCLE (OU LA PARTIE ARRIERE). AUCUNE PIECE A L'INTERIEUR NE PEUT ETRE REPARÉE PAR L'UTILISATEUR. CONSULTER UNE PERSONNE QUALIFIEE POUR LA REPARATION.



Le point d'exclamation dans un triangle équilatéral sert à avertir l'utilisateur de la présence d'instructions importantes de fonctionnement et d'entretien (réparation) dans le manuel qui accompagne l'appareil.

IMPORTANTES INSTRUCTIONS DE SECURITE

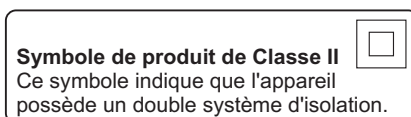
1. Veuillez lire ces instructions
 2. Conservez ces instructions.
 3. Faites attention à tous les avertissements.
 4. Suivez toutes les instructions.
 5. N'utilisez pas cet appareil près de l'eau.
 6. Nettoyez avec un chiffon sec.
 7. N'obstruez pas les ouvertures de ventilation. Installez selon les instructions du fabricant.
 8. N'installez pas l'appareil près de sources de chaleur telles que radiateurs, transformateurs de chaleur, fourneaux ou autres appareils (y compris amplificateurs) qui produisent de la chaleur.
 9. Ne pas désactiver les systèmes de protection des prises polarisées ou prises de terre. Une prise polarisée possède deux fiches dont l'une est plus large que l'autre. Une prise de terre possède deux fiches plus une troisième de terre. La troisième fiche large est installée pour votre sécurité. Si la prise fournie n'entre pas dans votre prise murale, consultez un électricien pour la remplacer.
 10. Installez le fil d'alimentation de façon à ce que l'on ne puisse pas marcher dessus ou qu'il ne soit pas écrasé principalement près des prises, boîtiers et contacts et à la sortie de l'appareil.
 11. N'utilisez que des accessoires spécifiés par le fabricant.
 12. N'utilisez qu'avec le chariot, pied, trépied ou table spécifiés par le fabricant. Si vous l'utilisez avec un chariot, faites attention quand vous déplacez l'ensemble chariot / appareil pour éviter de les renverser.
- 
13. Débranchez l'appareil lors d'orages ou quand vous ne vous en servez pas pendant des périodes prolongées.
 14. Confiez les réparations à des personnes qualifiées. Les réparations sont nécessaires quand l'appareil a été endommagé d'une façon quelconque telle que fil d'alimentation ou prise endommagée, si du liquide y a été renversé ou si des objets sont tombés dessus, s'il a été exposé à la pluie ou à l'humidité, s'il ne fonctionne pas normalement ou s'il est tombé.

IMPORTANTES INSTRUCTIONS DE SECURITE

15. Prise de terre ou Polarisation – Cet appareil peut être équipé d'une prise polarisée de courant alternatif (une prise avec une fiche plus large que l'autre). Cette prise n'entre dans la prise murale que d'une seule façon. C'est une fonction de protection. Si vous ne réussissez pas à insérer complètement la prise essayez de l'inverser. Si vous ne réussissez toujours pas contactez votre électricien pour la remplacer. N'essayez pas de désactiver ce système de protection de la prise polarisée.
Avertissement pour courant alternatif – Ce produit est équipé d'une prise à trois fils et trois fiches dont l'une de terre.. Cette prise n'entrera que dans une prise murale prévue à cet effet. Il s'agit d'un système de protection. Si vous ne réussissez toujours pas contactez votre électricien pour la remplacer. N'essayez pas de désactiver ce système de protection de la prise terre.
16. Ventilation – les fentes et ouvertures de la console sont prévues pour assurer la ventilation et le bon fonctionnement de l'appareil et le protéger contre la surchauffe, aussi il ne faut pas les bloquer ni les couvrir. Les ouvertures ne devront jamais être bloquées en plaçant l'appareil sur lit, sofa, tapis ou autre surface de ce genre. Cet appareil ne doit pas être placé dans un endroit encastré tel qu'une bibliothèque ou casier à moins qu'une ventilation n'ait été prévue par le fabricant ou que le manuel d'instructions ne le prévoie.
17. La prise de courant ou un raccord sont utilisés pour débrancher l'appareil, l'appareil débranché doit continuer à être opérationnel.

AVERTISSEMENT: L'UTILISATION, LES REGLAGES OU TOUT AUTRE PROCEDE DIFFERENTS DE CEUX QUI SONT SPECIFIES ICI POURRAIENT CAUSER DES RISQUES DE RADIATIONS DANGEREUSES.

AVERTISSEMENT: Emission de radiation laser quand on l'ouvre et quand le boîtier est défectueux. Evitez l'exposition au rayon laser.



AVERTISSEMENT : Des modifications non autorisées expressément par le fabricant pourraient annuler l'autorité de l'utilisateur pour utiliser cet appareil”.

NOTA: Cet équipement a été testé et déclaré conforme aux limites des appareils numériques de classe B définies par l'alinéa 15 de la réglementation de la FCC. Ces limites correspondent à une protection raisonnable contre les interférences nuisibles dans une installation en milieu résidentiel. Cet équipement génère, utilise et peut dégager une énergie radioélectrique et, s'il n'est pas installé ni utilisé conformément à ces instructions, peut provoquer des interférences nuisibles aux radiocommunications. Cependant, la possibilité d'une interférence dans une installation donnée n'est pas entièrement exclue. Si cet équipement provoque des interférences nuisibles à la réception des équipements de radio ou de télévision - ce qui peut être vérifié en mettant l'équipement hors tension, puis sous tension - il est conseillé à l'utilisateur d'essayer de corriger ces interférences en appliquant une ou plusieurs des mesures suivantes :

- Modifier l'orientation ou la position de l'antenne de réception.
- Augmenter la distance entre l'équipement et le récepteur.
- Connecter l'équipement à une source d'alimentation sur un circuit différent de celui sur lequel est connecté le récepteur.
- Demander conseil au revendeur ou à un technicien spécialisé en radio/télévision.

INTRODUCTION

Votre Appareil de Karaké avec socle vous donnera beaucoup de plaisir et de divertissement. Vous serez la "star" quand vous chanterez en vous accompagnant sur vos enregistrements préférés ainsi que lorsque vous entendrez votre voix dans les haut-parleurs.

Cet appareil de karaoké est compact et conçu pour présenter beaucoup de fonctions, tout en étant facile à utiliser. Après quelques petites explications, vous devenez un expert. Avant d'essayer d'utiliser votre appareil, veuillez lire soigneusement ce manuel pour vous familiariser avec toutes les fonctions disponibles et les sections du manuel qui décrivent ces fonctions. Ensuite, reportez-vous à la section pour l'opération spécifique que vous voulez réaliser.

Pour faciliter vos consultations, quelques-unes des principales caractéristiques du Centre de karaoké sont énumérées ici:

Paroles sur l'écran TV - affiche les paroles au rythme de la musique quand un CD+G est joué.

Contrôle Automatique de Voix (A.V.C.) - vous permet de remplacer la voix originale du chanteur par votre propre voix quand un disque karaoké multiplex préenregistré est joué. Pour activer, tournez simplement le Volume du Micro jusqu'à un niveau confortable d'audition, et le Contrôle Auto Voix pour une meilleure balance entre la reproduction et le niveau des micros.

Contrôle de BALANCE - vous permet de régler la balance entre la voix originale préenregistrée du chanteur et la musique en utilisant un disque de karaoké multiplex.

Contrôle d'ECHO - vous permet d'ajouter un écho pour enrichir votre voix avec un effet de concert.

Contrôle De Volume Principal - Vous permet de tourner le contrôle de volume dans le sens des aiguilles d'une montre ou dans le sens contraire jusqu'à ce que vous obteniez le niveau sonore désiré.

KaraokeVision™ - la lentille de la caméra intégrée montrera votre image sur le moniteur de la singing Machine ou Télévision.

Haut-parleur stéréo encastré - vous permet de faire partager la musique à votre famille et à vos amis.

Jacks de sortie auxiliaires - vous permet de vous connecter à un autre appareil de sortie audio, tel un equalizer / booster ou un système PA (public).

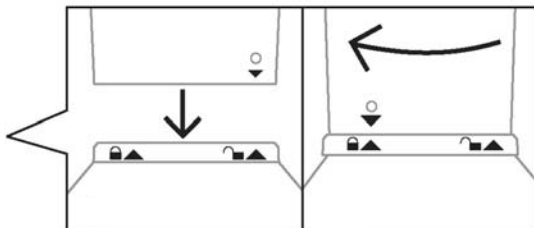
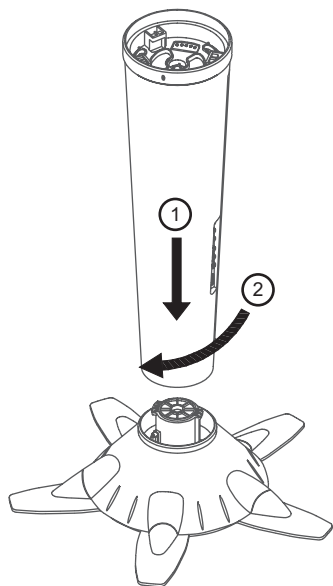
Prise jack de l'écouteur - vous permet de brancher un casque écouteur au lieu d'écouter par les haut-parleurs encastrés.

Port iPod - Le port iPod est compatible avec de nombreux modèles d'iPod. Le support de système audio iPod vous permet de brancher simplement et d'appuyer pour faire passer tous les fichiers des musiques enregistrés sur votre iPod. Les haut-parleurs de votre Singing Machine vous offriront un son superbe.

INSTALLATION

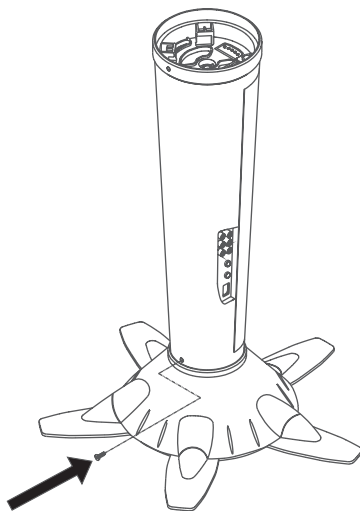
ETAPE 1

1. Installez ensemble le haut-parleur (milieu) dans le support (bas) conformément à l'illustration.

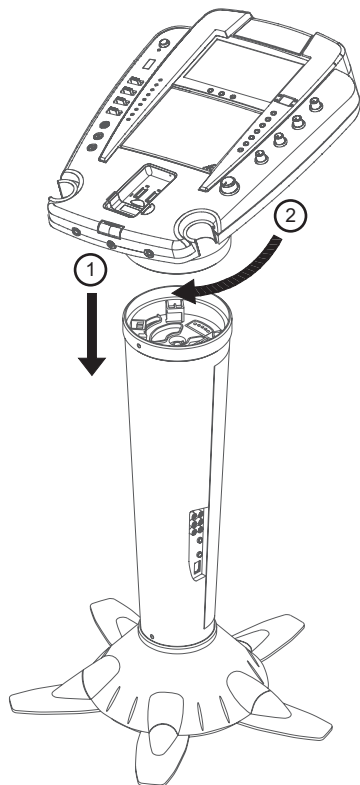


ETAPE 2

2. Serrez une vis auto-vissante au bas du haut-parleur (milieu).

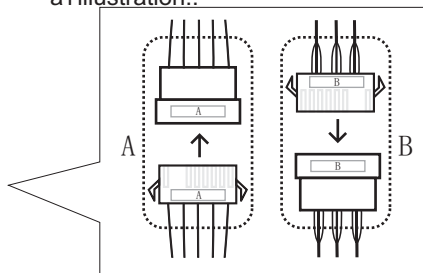


INSTALLATION

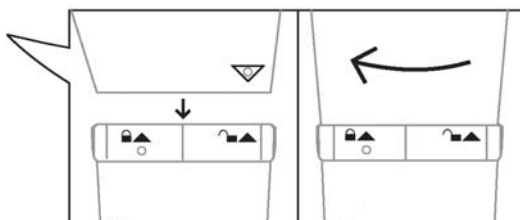


ETAPE 3

3. Installez ensemble le panneau de contrôle (haut) dans le haut-parleur (milieu) conformément à l'illustration. conformément à l'illustration..

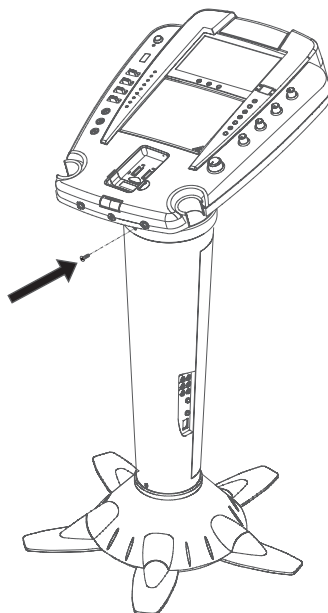


Suivre les étiquettes (A à A&B à B) pour brancher les connecteurs.

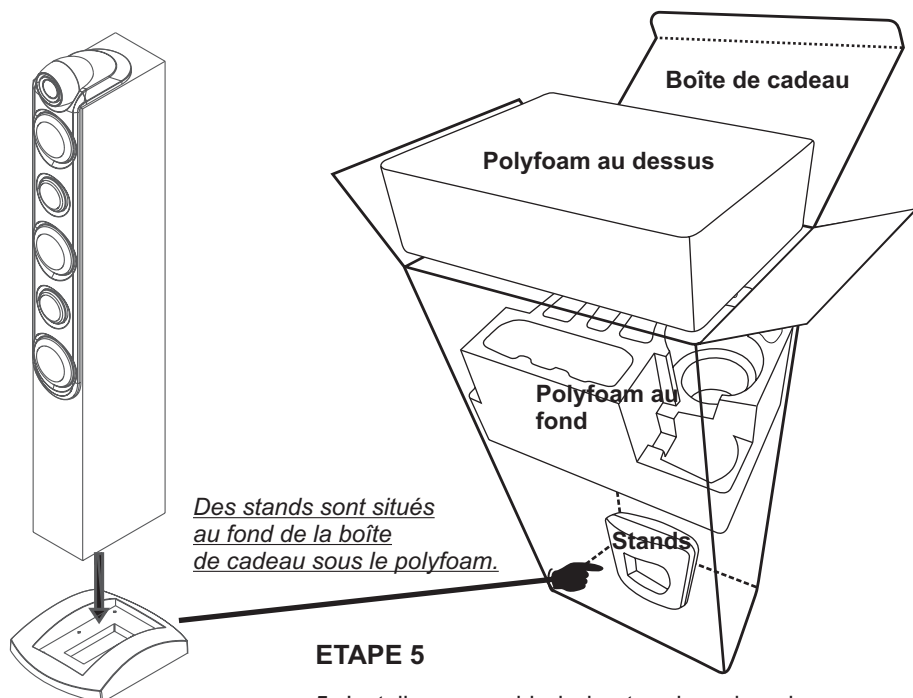


ETAPE 4

4. Serrez une vis auto-vissante au panneau de contrôle (haut).

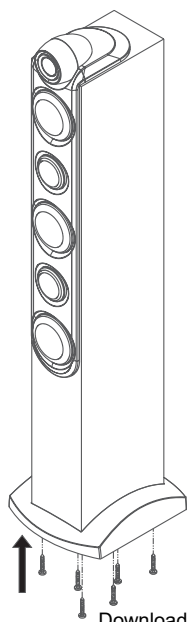


INSTRUCTIONS POUR L'INSTALLATION DES HAUT-PARLEURS TOURS



ETAPE 5

5. Installez ensemble le haut-parleur dans le support conformément à l'illustration.

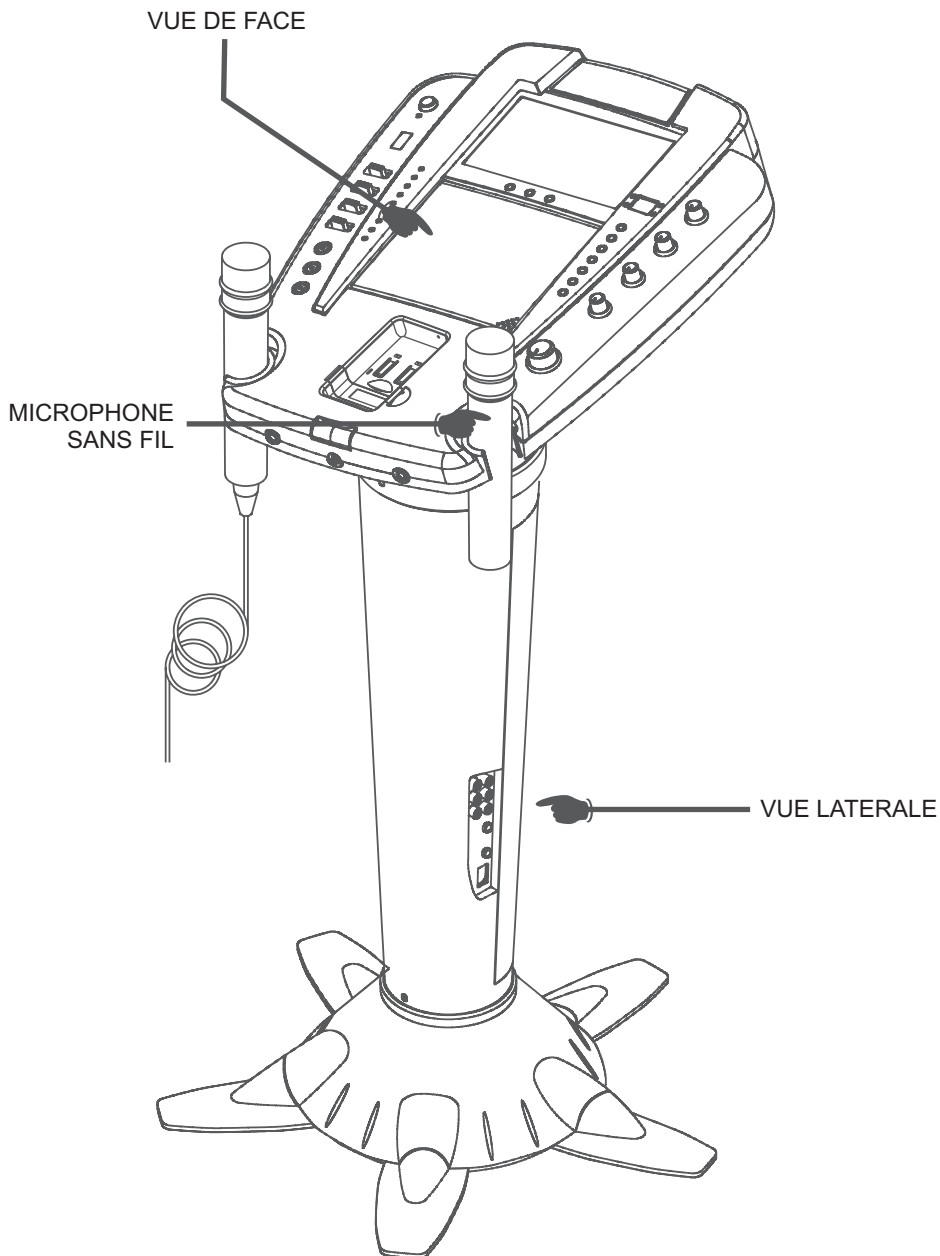


ETAPE 6

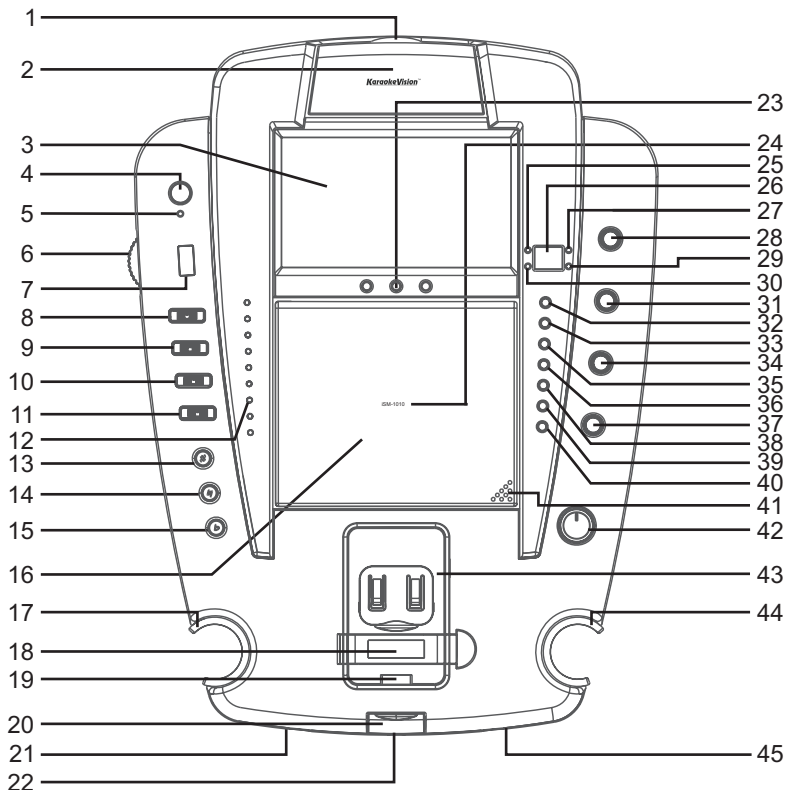
6. Vissez les six vis à la base du haut-parleur.

LOCALISATION DES CONTRÔLES

Voyez la localisation des contrôles comme indiqué dans les quelques pages suivantes.



LOCALISATION DES CONTRÔLES

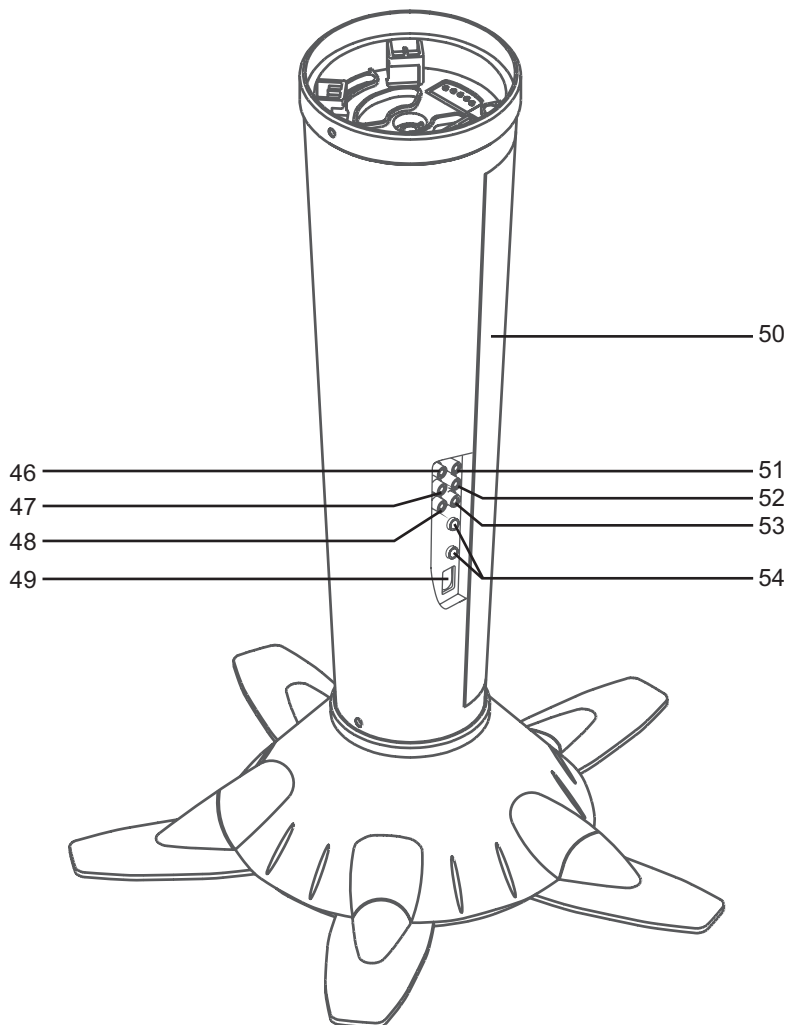


FRONT VIEW

- | | | |
|--|---------------------------------------|----------------------------------|
| 1. Bouton d'ouverture de l'objectif de la caméra | 16. Porte du CD | 32. Bouton RÉPÉTER |
| 2. Objectif de Caméra réglable | 17. Support de Micro | 33. Bouton PROGRAMME |
| 3. Moniteur LCD TFT de 17,8cm | 18. Support iPod | 34. Contrôle Automatique de Voix |
| 4. Bouton Allumer/Eteindre | 19. Port universel iPod | 35. Bouton ALÉATOIRE |
| 5. LED Allumer/Eteindre | 20. Releaser de Dock d'iPod | 36. Bouton SAUTER ►► |
| 6. Bouton de syntonisation | 21. Prise jack MIC 1 | 37. Contrôle de BALANCE |
| 7. Indicateur du Cadran | 22. Prise Jack du Casque | 38. Bouton SAUTER ◀◀ |
| 8. Sélecteur de gamme | 23. Boutons LCD ADJ. | 39. Bouton ARRÊT |
| 9. Sélecteur du MONITEUR | 24. Numéro de Modèle | 40. Bouton LECTURE/ PAUSE |
| 10. Sélecteur SORTIE VIDEO | 25. LED PROGRAMME | 41. Point OUVRIER / FERMER |
| 11. Sélecteur de FONCTION | 26. Affichage Lumineux LED | 42. Contrôle de VOLUME PRINCIPAL |
| 12. LED de contrôle de Key | 27. Indicateur LED REPRODUCTION/PAUSE | 43. Compartiment iPod |
| 13. Key High | 28. Contrôle de VOLUME MICRO | 44. Support de Micro |
| 14. Key Flat | 29. LED du CDG | 45. Prise jack MIC 2 |
| 15. Key Low | 30. LED REPETITION | |
| | 31. Contrôle d'ECHO | |

LOCALISATION DES CONTRÔLES

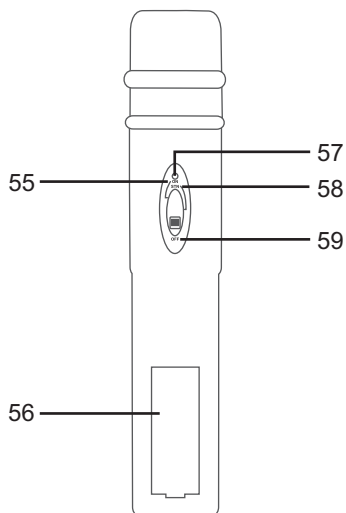
FRANÇAIS



VUE LATÉRALE

- | | |
|--|---|
| 46. Jack d'entrée auxiliaires (Droite) | 51. Jack de sortie auxiliaires (Droite) |
| 47. Jack d'entrée auxiliaires (Gauche) | 52. Jack de sortie auxiliaires (Gauche) |
| 48. Prise jack de l'ENTRÉE VIDEO | 53. Prise jack de l'SORTIE VIDEO |
| 49. Jack du Fil d'alimentation AC | 54. Prises Jacks de HAUT-PARLEUR (D/G) |
| 50. Haut-parleur | |

EMPLACEMENT DES CONTROLES DU MICRO SANS FIL



MICRO SANS FIL

55. Position ON

56. Compartiment des piles

57. Indicateur LED

58. Position STANDBY

59. Position OFF

POUR FAIRE LES CONNEXIONS

BRANCHEMENT DE L'ALIMENTATION

Vous pouvez brancher le système à une prise AC normale en utilisant le fil d'alimentation fourni.

AVERTISSEMENT: Le fil d'alimentation AC fourni possède une prise polarisée qui n'entre dans la prise murale que d'une façon. Si la prise ne rentre pas débranchez et essayez à nouveau. Ne pas forcer.

CONNEXION DE VOTRE ECOUTEUR

Il y a une prise d'écouteurs pour utiliser un écouteur à la place du haut-parleur. (Les écouteurs sont vendus séparément.)

ATTENTION: Le pression excessif du son des oreillettes peut causer la perte d'audition.

BRANCHEZ-LE SUR VOTRE T.V.

Singing Machine est équipée d'un fil de branchement pour être branché à un appareil externe audio / son et / ou à un appareil vidéo. Le fil possède trois prises RCA à chaque extrémité; la Blanche et la Rouge sont pour les connexions audio gauche et droite, la Jaune est pour la vidéo.

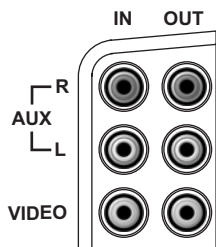
On recommande de faire jouer un disque CDG pendant que vous faites les connexions à votre TV ou Magnétoscope. L'affichage du logo de Singing Machine ou des paroles sur votre écran de TV vous montrera que vous avez connecté votre TV ou Magnétoscope correctement.

CONNEXION VIDÉO

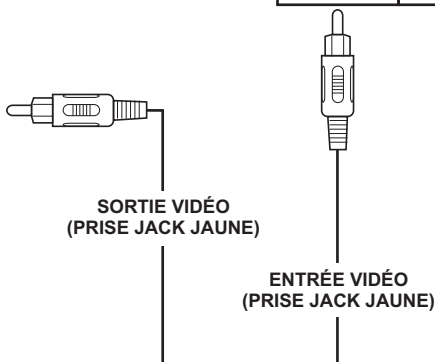
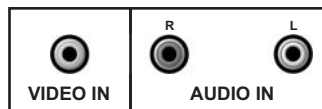
Veillez suivre les étapes ci-dessous pour afficher les paroles du CDG sur Ecran de TV:

- (1) Localisez les fils de connexion multicolores.
- (2) Branchez le câble vidéo (Jaune) à la prise jack de Sortie Vidéo située sur le côté de votre Singing Machine.
- (3) Connectez l'autre extrémité au câble vidéo (jaune) à la ENTREE Vidéo d'une autre source vidéo, telle que MAGNETOSCOPE ou TV.

VUE LATÉRALE DE LA SINGING MACHINE



VUE ARRIÈRE DE LA TV



POUR FAIRE LES CONNEXIONS

Si votre téléviseur ne possède pas l'Entrée Vidéo nécessaire, vous aurez besoin d'un Modulateur RF (modulateur de Radio Fréquence), qui fait la connexion au travers de l'Antenne TV ou du câble et sert d'Entrée Vidéo.

Un Modulateur RF peut être acheté chez presque tous les détaillants de matériel électronique. Si vous connectez la vidéo de la Singing Machine que ce soit à l'entrée vidéo d'une TV ou d'un MAGNETOSCOPE, il faut que vous spécifiez la source TV ou MAGNETOSCOPE qui doit être affichée. Le manuel d'utilisation de votre TV ou MAGNETOSCOPE peut vous indiquer comment afficher le signal vidéo à partir de la prise jack vidéo.

Si vous ne possédez pas le manuel de votre TV ou MAGNETOSCOPE, nous suggérons que vous appeliez le Service Après-Vente du fabricant de votre TV ou MAGNETOSCOPE. Seul le fabricant pourra vous indiquer rapidement comment configurer votre TV ou MAGNETOSCOPE pour afficher le signal vidéo provenant de la prise jack d'entrée.

✱Note: Certains appareils de TV n'affichent pas le fond bleu standard utilisé normalement par la plupart des CGDs. Si la couleur de fond n'est pas correcte ou si elle clignote, essayez de connecter votre Singing Machine à un tube TV normal.

MOYENS HABITUELS DE CONFIGURATION DE VOTRE TV OU MAGNETOSCOPE

Votre Singing Machine est conçue pour connecter votre TV de la même façon que vous connectez une caméra vidéo, un MAGNETOSCOPE ou une console de jeu vidéo. La Singing Machine envoie constamment des signaux vidéo et audio aux prises jack Sortie Vidéo et Sortie Aux à chaque fois que vous jouez un CDG. On recommande de faire jouer un disque CDG sur votre Singing Machine avant de faire ces connexions. Vous pourrez voir les paroles sur votre écran de TV dès que l'installation sera terminée. Vous verrez des paroles sur l'écran de TV dès que vous aurez configuré correctement.

Nous nous reportons à TV/MAGNETOSCOPE parce que les fabricants utilisent des moyens très semblables pour connecter les TV et MAGNETOSCOPES et vous pouvez connecter votre Singing Machine à une TV, un MAGNETOSCOPE ou un système via satellite. La configuration de la TV/MAGNETOSCOPE est la partie la plus difficile pour faire les connexions et afficher les paroles de la Singing machine. Dans la plupart des maisons, la TV possède un câble branché ou une antenne en fonctionnement. Une fois votre Singing Machine branchée à votre Téléviseur / Magnétoscope, choisissez l'entrée correcte de votre Téléviseur / Magnétoscope pour afficher les paroles de la Singing Machine au lieu de l'entrée habituelle du câble ou de l'antenne.

Vérifiez le manuel d'utilisation de votre TV/MAGNETOSCOPE pour installer de la manière la plus facile votre appareil particulier de divertissement. Si vous ne possédez pas le manuel de votre TV ou Magnétoscope, veuillez entrer en contact avec le fabricant pour obtenir les informations soit par téléphone soit sur leur site Internet. Ci-dessous nous donnons la liste des moyens les plus fréquents de configurer une TV/MAGNETOSCOPE:

- (1) Dans le menu de configuration de la TV/MAGNETOSCOPE il doit y avoir une option "Sélection d'Entrée" où vous pouvez choisir entre "Câble/Antenne", "Vidéo 1" ou "Vidéo 2" comme source d'entrée.
- (2) Essayez de trouver une chaîne "Vidéo" entre la chaîne la plus basse et la plus haute de votre TV ou Magnétoscope (c'est à dire qu'entre 99 et 2 il pourrait y avoir "VIDEO", "ENTREE" ou "JEU").
- (3) Localisez un bouton sur la télécommande de votre TV / Magnétoscope auquel vous vous connectez et qui fera afficher sur la source d'entrée Vidéo les messages "VIDEO", "VIDEO 1", "JEU", "AUX", "EXT", "LINE 1", "LINE IN" ou éventuellement le bouton "VCR".

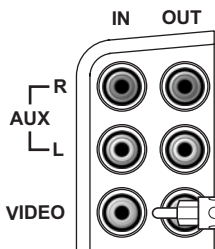
POUR FAIRE LES CONNEXIONS

CONNEXION D'UN APPAREIL VIDÉO D'ENTRÉE

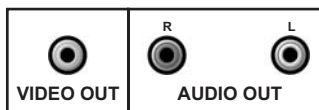
Veillez suivre les étapes ci-dessous pour afficher les paroles du CDG sur le moniteur de la Singing Machine à partir d'une autre source vidéo:

- (1) Localisez les fils de connexion multicolores.
- (2) Connectez le câble vidéo (jaune) à l'ENTREE Vidéo située sur le côté de la Singing Machine.
- (3) Connectez l'autre extrémité au câble vidéo (jaune) à la Sortie Vidéo d'une autre source vidéo, telle que MAGNETOSCOPE.
- (4) Mettez le sélecteur de fonction sur auxiliaire et le sélecteur moniteur sur AUX.

VUE LATÉRALE DE LA SINGING MACHINE



VUE ARRIÈRE DE LA MAGNETOSCOPE



ENTRÉE VIDÉO (PRISE JACK JAUNE) SORTIE VIDÉO (PRISE JACK JAUNE)

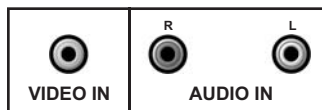
CONNEXION AUDIO

Connectez le appareil à votre TV ou à votre appareil stéréo en utilisant les connecteurs Blanc et Rouge du cordon de raccordement fourni. Branchez l'extrémité blanche du cordon de raccordement à la prise jack d sortie blanche du appareil. Branchez l'extrémité rouge du cordon de raccordement à la prise jack d sortie rouge du appareil. Connectez maintenant l'autre extrémité de la fiche blanche (voie de gauche) et rouge (voie de droite) du câble aux prises jacks ENTREE AUDIO OU ENTREE AUX de votre TV ou appareil stéréo.

VUE LATÉRALE DE LA SINGING MACHINE



VUE ARRIÈRE DE LA TV



SORTIE AUX GAUCHE (JACKS BLANC)

ENTRÉE AUDIO DROITE (JACK ROUGE)

SORTIE AUX DROITE (JACKS ROUGE)

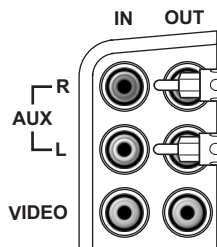
ENTRÉE AUDIO GAUCHE (JACK BLANC)

POUR FAIRE LES CONNEXIONS

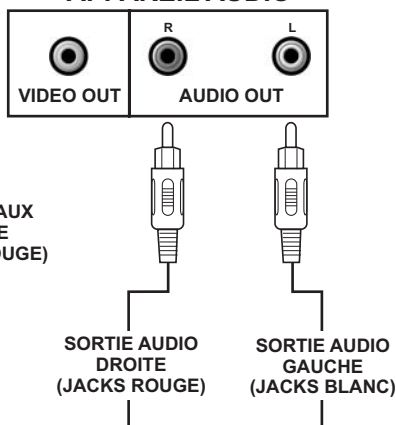
CONNEXION D'UN APPAREIL AUDIO D'ENTRÉE

Pour connecter une autre source audio (telle que Tuner, Récepteur AV ou MAGNETOSCOPE) de façon à ce que vous puissiez accompagner cette musique, connectez simplement les prises jack de Sortie Audio (prises jack RCA Rouge et Blanche) aux prises jack ENTREE AUX G & D de la Singing Machine.

VUE LATÉRALE DE LA SINGING MACHINE



AUTRE APPAREIL AUDIO



Sélecteur du MONITEUR

- Pour jouer un disque CDG, placez le sélecteur MONITEUR en mode CAMERA / iPod/CDG / AUX ou ETEINT.
- Pour afficher les paroles de CDG sur le moniteur de la Singing Machine placez le Sélecteur MONITEUR en mode iPod/CDG.
- Pour afficher une image sur le moniteur de la Singing Machine, placez le Sélecteur MONITEUR en mode CAMERA.
- Pour afficher un signal vidéo d'un autre composant A/V, placez le sélecteur de fonction en mode AUX et le sélecteur MONITEUR en mode AUX.
- Pour éteindre le moniteur LCD TFT de la Singing Machine, placez le sélecteur MONITEUR en mode OFF.
- Réglez les boutons LCD ADJ. situés sous le moniteur LCD de votre Singing Machine pour obtenir une meilleure qualité d'image. (#23 noté sur la localisation de commandes page F8)

Sélecteur SORTIE VIDEO

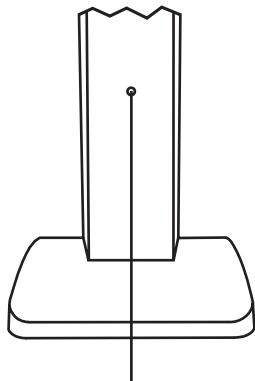
- Pour afficher une image sur la TV, placez le Sélecteur de FONCTION en mode iPod, CDG ou AUX et Sélecteur SORTIE VIDEO en mode CAMERA.
- Pour afficher les paroles de CDG sur la TV, placez le Sélecteur de FONCTION en mode CDG et Sélecteur SORTIE VIDEO en mode iPod/CDG.

POUR FAIRE LES CONNEXIONS

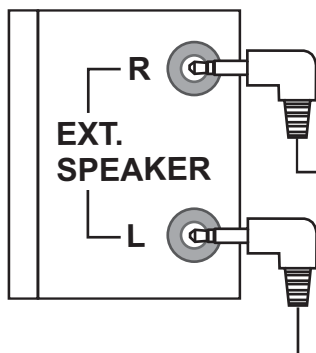
CONNEXION DE LA SINGING MACHINE

1. Avant de brancher les haut-parleurs, éteignez votre Singing Machine et réglez le volume principal et le volume du micro au minimum.
2. Branchez les haut-parleurs à votre Singing Machine conformément à l'illustration.
3. Allumez votre Singing Machine. Réglez le volume principal et le volume du micro de votre Singing Machine à un niveau confortable.

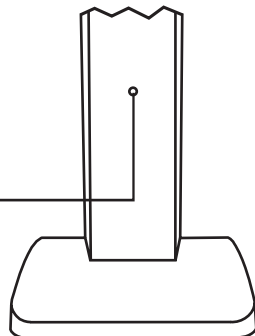
VUE ARRIÈRE DU
HAUT-PARLEUR GAUCHE



VUE LATÉRALE DE
LA SINGING MACHINE



VUE ARRIÈRE DU
HAUT-PARLEUR DROIT



FONCTIONNEMENT DU CD OU CD+G

- * **Avertissement - Si vous frappez ou laissez tomber le micro quand il est utilisé, vous pourrez l'endommager définitivement. Résistez à l'envie de faire tourner le micro par le fil!**

PRÉPARATION

- L'appareil est conçu pour jouer des CD's/CD+G's possédant le logo d'identification "CD+G". Si les CD's/CD+G's ne correspondent pas à des normes spéciales, ils ne seront pas joués correctement.
- Les empreintes digitales et la poussière doivent être soigneusement nettoyées avec un chiffon doux. Nettoyez en un mouvement droit à partir du centre du disque vers le bord externe.
- Ne jamais utiliser de produits chimiques tels que sprays pour nettoyer les disques, sprays ou fluides antistatiques, benzène ou diluant pour nettoyer un disque compact. Ces produits chimiques endommageront définitivement la surface plastique du disque.
- Placez toujours le disque compact sur le plateau, l'étiquette tournée vers le haut. Les disques compacts peuvent être joués seulement d'un côté.
- Pour retirer un disque de l'étui de rangement, pressez au centre du boîtier et soulevez le disque en le tenant soigneusement par le bord.
- Remettez les disques dans leur boîtier après usage pour éviter la poussière et les rayures.
- Pour éviter de tordre le disque, ne l'exposez pas directement à la lumière solaire, haute humidité ou hautes températures pendant de longues périodes.
- Ne collez de papier ni n'écrivez sur l'une ou l'autre face du disque. Les encres utilisées dans certains feutres peuvent endommager les surfaces du disque.

LECTURE DE DISQUE CD OU CD+G

- Réglez les contrôles de VOLUME PRINCIPAL de votre appareil, TV ou système audio comme vous le désirez.
- Réglez les contrôles MICRO/ECHO/BALANCE comme nécessaire pour obtenir le mélange de musique et voix souhaité sur votre TV ou équipement sonore.
- Ne pas appuyer sur la porte du plateau de CD pendant qu'un CD est joué.
- Ne placez jamais rien sur la Singing Machine. Des objets étrangers pourraient endommager l'appareil.
- Ne pas forcer de trop sur le couvercle du disque.
- Ne placez qu'un seul disque dans le compartiment de CD à la fois.

POUR ALLUMER/ETEINDRE

- Pour allumer votre appareil de karaoké, appuyez sur le bouton ALLUMER / ETEINDRE, le témoin LED ALLUMER / ETEINDRE s'allume.
- Pour éteindre le système, pressez le bouton Allumer/Eteindre à nouveau, L'indicateur LED Allumer/Eteindre s'éteint.

SELECTION DE FONCTION

Placez le sélecteur de FONCTION sur CDG.

CHARGEMENT D'UN DISQUE

- Soulevez le couvercle de CD au point OUVRIRE / FERMER. Placez un disque dans le compartiment avec le côté imprimé tourné vers le haut et le côté brillant vers le bas.
- Fermez le compartiment de CD. La fenêtre LED affiche le nombre total de pistes. (Si aucun disque n'est chargé, "--" est affiché).

(Voir le Guide de Localisation de Problèmes page F22 si un disque est chargé mais que le nombre total de pistes n'apparaît pas.)

FRANÇAIS

FRONCTIONNEMENT DU CD OU CD+G

MODE LECTURE/PAUSE

- Pour commencer à jouer, pressez le bouton LECTURE/PAUSE. La première piste [1] et l'indicateur LED REPRODUCTION/PAUSE seront affichés.
- Pour arrêter de jouer momentanément pressez le bouton LECTURE/PAUSE à nouveau. L'indicateur LED LECTURE/PAUSE clignotera.
- Pour arrêter de jouer, pressez le bouton à nouveau.

VEUILLEZ NOTER: Si vous pressez pause quand un CDG joue, les paroles sur le moniteur pourront être distordues. Les distorsions persistent jusqu'à ce que tout l'écran soit restauré au moment d'un arrêt d'un instrument ou quand vous arrêtez la chanson et que vous la rejouez depuis le début.

MODE ARRÊT

Si le bouton ARRET est pressé pendant la reproduction, le disque s'arrêtera de jouer. (Le nombre total de pistes est montré dans la fenêtre LED).

SAUTER REPRODUCTION (POUR DISQUES CD AUDIO ET CDG)

- En mode ARRÊT vous pouvez sauter de pistes en avant ou en arrière jusqu'au numéro désiré en appuyant sur les bouton SAUTER (◀◀-SKIP-▶▶).
- Pour recommencer à jouer la musique sélectionnée, appuyez sur le bouton LECTURE /PAUSE.

RECHERCHE (SEULEMENT POUR DISQUES CD AUDIO)

Quand vous jouez un CD audio, pressez et maintenez le bouton SAUTER (◀◀-SKIP-▶▶) et le CD cherchera à grande vitesse en avant ou en arrière. La lecture normale continuera lorsque vous aurez relâché le bouton.

RÉPÉTER

- Pour répéter la piste actuelle, pressez le bouton REPETITION une fois. L'indicateur LED REPETITION clignote.
- Pour répéter toutes les pistes, appuyez deux fois sur le bouton REPETER. Le témoin LED REPETER s'allume.
- Pour annuler la fonction REPETER, appuyez une fois de plus sur le bouton REPETER. Le témoin LED REPETER s'éteint.

PROGRAMME

- Utilisez le bouton PROGRAMME pour jouer les chansons en ordre présélectionné.
Etape 1: Programmer en mode d'arrêt seulement. Pressez la touche de programmation jusqu'à ce que le témoin lumineux LED s'allume, la piste lira [1].
Etape 2: Pressez le bouton SAUTER (◀◀-SKIP-▶▶) pour sélectionner la piste désirée.
Etape 3: Pressez le bouton PROGRAMME pour confirmer l'entrée. Vous pouvez répéter les étapes jusqu'à un maximum de 20 pistes.
Etape 4: Pressez LECTURE après avoir terminé de programmer et vous êtes prêt à commencer à chanter.
- Pour vider toutes les mémoires programmées, pressez le bouton ARRÊT.

ALÉATOIRE

- Pousser le bouton RANDOM pour écouter tout les chansons sur un disque dans un ordre aléatoire.
- Pousser le bouton STOP pour arrêter cet action.

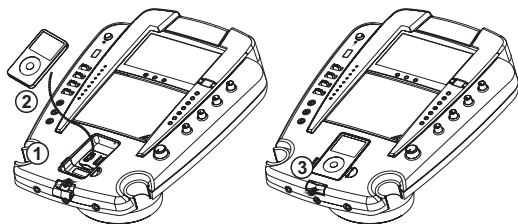
TOUCHE DE CONTRÔLE

- En appuyant sur le bouton KEY HIGH / KEY LOW différentes bandes pourront être réglées comme indiqué par le LED.
- Le bouton KEY FLAT est utilisé pour régler le niveau par défaut.
- KEY HIGH est utilisé pour augmenter le niveau.
- KEY LOW est utilisé pour diminuer le niveau.

FONCTIONNEMENT DU iPod (pour iPod avec video)

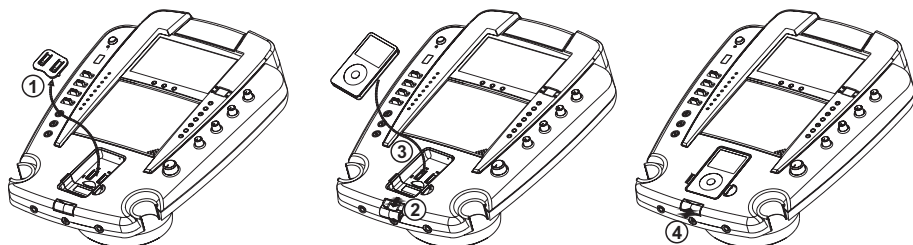
INSTALLATION de iPod avec Video - de 30G (iPod non inclus)

1. Abaissez le support iPod.
2. Placez un iPod dans le support iPod.
3. Faites remonter le support iPod.



INSTALLATION de iPod avec Video - de 60G à 80G (iPod non inclus)

1. Retirez l'adaptateur.
2. Abaissez le support iPod.
3. Placez un iPod dans le support iPod.
4. Faites remonter le support iPod.



FONCTIONS DE VOTRE iPod

- Joue le contenu vidéo de votre iPod sur les écrans LCD TFT de 17,8cm.
- Peut montrer vos vidéos favoris de votre iPod sur votre Télévision.
- Charge votre iPod par iSM-1010 sur courant alternatif.
- Support intégré pour votre iPod avec vidéo (30G, 60G & 80G).

CHARGEMENT DE VOTRE iPod

1. Placez soigneusement votre iPod dans le support.
2. Appuyez sur le bouton ON/OFF de l'appareil, cela chargera automatiquement votre iPod.

POUR VOIR VOS VIDEOS iPod SUR L'ECRAN LCD TFT EN COULEURS DE 17,8cm

Pour allumer l'appareil, faites glisser le bouton de Sélection MONITOR en position iPod. Pour voir vos vidéos iPod favorites sur l'écran LCD en couleurs de 17,8cm, suivez les instructions suivantes:

1. Sur le menu de l'écran de votre iPod, sélectionnez l'option « vidéo ».
2. Sur le menu suivant de l'écran de votre iPod, sélectionnez l'option « configurations de vidéo ».
3. Sur le menu suivant de l'écran de votre iPod, sélectionnez l'option « TV OUT » et mettez-le en marche.
4. Installez votre iPod sur le support iPod.
5. Naviguez dans le menu de votre iPod pour choisir votre vidéo favorite.
6. Jouez le fichier et regardez-le sur votre l'écran LCD en couleurs de 17,8cm. Utilisez votre iPod pour ouvrir et contrôler vos fichiers de musique, photos et vidéos. L'appareil répondra alors aux commandes données. and control your desired songs, photos, and video files. The system will then respond to the given command.

FRANÇAIS

FRONCTIONNEMENT DE LA AUTRE ET RADIO AUTRE

RADIO AM/FM

1. Allumez le bouton Allumer/Eteindre.
2. Placez le sélecteur FONCTION en position RADIO.
3. Placez le Sélecteur de gamme sur la radio AM ou FM.
4. Tournez le bouton de syntonisation sur la station désirée comme indiqué sur le cadran.
5. Réglez le contrôle du VOLUME PRINCIPAL comme vous le désirez.
7. Pour éteindre la radio, placez le sélecteur FONCTION en position iPod, CDG ou AUX.

ACCOMPAGNEMENT - RADIO

1. Suivez les instructions pour RADIO AM/RADIO FM.
2. Branchez le Micro fourni à l'une des entrées jack de Micro.
3. Réglez les contrôles de VOLUME PRINCIPAL et VOLUME DU MICRO. Votre voix sera mixée avec la station de radio et sera entendue dans les haut-parleur.

EN PUBLIC - UTILISATION DU MICRO

Appareil peut être utilisé en PA (en public).

En public (PA) Procédures de fonctionnement

1. Branchez le Micro fourni à l'une des entrées jack de Micro.
2. Pressez le bouton Allumer/Eteindre en position ALLUME.
3. Pressez le bouton SELECTION DE FONCTION pour sélectionner la fonction de AUX. Placez le contrôle du VOLUME DU MICRO en position centrale.
4. Placez le bouton Allumer/Eteindre/ ETEINDRE situé sur le Micro en position ALLUMER et parlez ou chantez dans le micro. La sensibilité et le volume du micro peuvent être réglés comme désiré en tournant le contrôle de VOLUME MICRO et/ou le contrôle de VOLUME PRINCIPAL.
5. Pour ajouter de la profondeur ou de l'ambiance à votre voix, réglez le contrôle d'ECHO jusqu'à ce que vous obteniez les effets désirés.

Note: Pour éviter du retour ou des sifflements, vérifiez que le micro n'est pas trop près de l'appareil appareil.

FRONCTIONNEMENT DU MICRO SANS FIL SMM-107A

- 1) Soulevez le couvercle du compartiment des piles sur le devant de la poignée.
- 2) Placez une pile de 9 V dans le compartiment comme indiqué en respectant la polarité (+ et -) marquée à l'intérieur du compartiment du micro sans fil

NOTE: la batterie 9V n'est pas intérieur inclus l'emballage.

- 3) Remplacez le couvercle.

- 4) L'interrupteur de Micro Sans Fil possède trois positions:

1. ON - L'interrupteur est en position haut bas. Le micro fonctionnera. L'indicateur lumineux rouge est allumé.
2. STANDBY- L'interrupteur est en position moyen. Le micro ne fonctionnera pas. L'indicateur lumineux rouge est allumé.

NOTE: Le but de ce réglage est de conserver une connexion entre le micro et la Singing Machine quand vous vous déplacez dans la zone où vous allez l'utiliser. (Cette fonction peut aussi être considérée comme une fonction silencieuse)

3. OFF - L'interrupteur est en position bas. Le micro ne fonctionnera pas. L'indicateur lumineux rouge est éteint

NOTE: Pour garantir une durée de vie plus longue à la pile, vérifiez que les micros sans fil sont bien en position ETEINT quand vous ne vous en servez pas. Quand vous ne vous en servez pas pendant un certain temps, nous vous recommandons de retirer la pile 9V DC.

INFORMATION POUR LE MICRO SANS FIL

Avertissement : toutes modifications ou changements non expressément approuvés par le fabricant de l'appareil pourraient annuler l'autorité de l'utilisateur sur cet appareil.

AVIS FCC

Le système de micro sans fil est en accord avec la Partie 90 des Réglementations FCC. Il y a une fréquence disponible pour le système. Il vous faut une licence pour la fréquence que vous avez l'intention d'utiliser avant d'utiliser le système.

Veuillez voir le site Internet <http://wireless.fcc.gov/uls/> pour demander la licence ou téléphonez aux bureaux FCC les plus proches et contactez-les pour obtenir la demande nécessaire. L'octroi de la licence dépend de l'utilisation que vous ferez du système.

Pour l'exposition aux RF

"AVIS IMPORTANT": Afin d'obéir aux exigences de conformité FCC concernant l'exposition aux RF, aucun changement de l'antenne ou de l'appareil n'est autorisé. Tout changement apporté à l'antenne ou à l'appareil pourrait entraîner l'augmentation d'exposition RF du système.

INFORMATIONS DE SECURITE

Votre micro sans fil contient un émetteur de basse puissance. Quand l'EUT est allumé il envoie des signaux de radiofréquence (RF). En août 1966 La Commission Fédérale des Communications (FCC) a adopté des règles pour l'exposition aux Radiofréquences avec des niveaux de sécurité pour les appareils sans fil.

IMPORTANT

Afin de respecter les règles FCC d'exposition aux RF, maintenez l'émetteur et l'antenne à au moins 1 pouce (2,5 cm) du visage et parlez normalement, l'antenne orientée vers le haut et loin du visage. Vérifiez que l'antenne est à au moins 1 pouce (2,5 cm) de votre corps quand vous utilisez le micro sans fil.

N'utilisez que l'antenne fournie. Des antennes non autorisées, des modifications ou accessoires pourraient endommager l'émetteur et pourraient violer les règles FCC.

REMARQUE : LE FABRICANT N'EST PAS RESPONSABLE DES INTERFERENCES DE RADIO OU TV CAUSEES PAR DES MODIFICATIONS NON AUTORISEES APPORTEES A CET EQUIPEMENT. DE TELLES MODIFICATIONS POURRAIENT ANNULER L'AUTORITE DE L'UTILISATEUR SUR CET APPAREIL.

L'opération est sujet aux deux conditions suivantes : (1) cet appareil ne doit pas causer d'interférence nocive, et (2) cet appareil doit accepter toute interférence reçue, y compris celles qui pourraient causer une opération non souhaitée.

SOINS ET ENTRETIEN

ALIMENTATION

Après avoir utilisé le appareil, mettre l'appareil hors tension en appuyant sur le bouton ALLUMER/ETEINDRE.

NETTOYAGE DE L'APPAREIL

Pour nettoyer l'extérieur de l'appareil, l'essuyer simplement avec un chiffon doux, propre et humecté d'eau tiède.

NETTOYAGE DE LA LENTILLE LASER DU CD

Pour de meilleurs résultats: Utilisez un disque de nettoyage de la lentille CD conformément aux instructions du fabricant de disque de nettoyage.

Si vous ne trouvez pas de disque de nettoyage de la lentille, utilisez un chiffon en coton propre, doux et sec et nettoyez doucement le petit verre de la lentille laser du lecteur de CD.

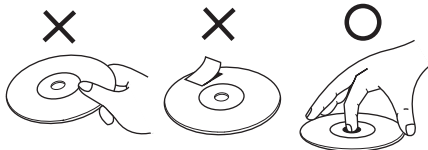


Pour éviter tout incendie ou choc électrique, débrancher la chaîne stéréo de la prise de courant pendant le nettoyage.

DISQUE COMPACT

Maniement des disques

Même si les plages de musique d'un disque sont recouvertes d'une pellicule de protection, il est à conseiller de manipuler le disque très soigneusement. Toujours prendre les disques par les bords et les ranger dans leur étui immédiatement après les avoir utilisés.



NETTOYAGE DES DISQUES

Il n'est généralement pas nécessaire de nettoyer les disques. Toutefois, s'il y a des empreintes de doigts, de poussière ou de saleté, vous pouvez les essuyer avec un chiffon doux sans peluches. Essuyer le disque en mouvements rectilignes allant du centre vers le bord. Vous pouvez d'abord humecter le disque si nécessaire.



REMARQUE: Ne pas utiliser de détergent ou de produits abrasifs car ils pourraient endommager le disque.

LECTEUR CD

Le mécanisme du lecteur est équipé de support autolubrifiant et ne doit pas être huilé ou graissé.

GUIDE DE LOCALISATION DE PROBLÈMES

Si vous avez suivi les instructions et que vous avez des difficultés à faire fonctionner l'appareil, localisez le PROBLÈME dans la colonne de gauche ci-dessous. Vérifiez la CAUSE POSSIBLE correspondante dans la colonne de localisation et réglez le problème.

PROBLÈME	CAUSE POSSIBLE	SOLUTION
Ne s'allume pas quand il est en position ALLUME.	Pas de connexion de la prise d'alimentation à la prise AC.	Insérez la prise d'alimentation dans la prise AC.
Ne s'allume pas quand il est branché.	Le fil d'alimentation n'est pas branché à l'appareil.	Branchez le fil d'alimentation fermement à l'appareil.
Pas de son.	Le Contrôle de Volume est au minimum.	Augmentez le volume.
Pas de son de la TV ou du PA.	La TV ou le PA sont sur minimum.	Augmentez le volume de la TV ou du PA.
	La TV ou le PA sont éteints.	Allumez la TV ou le PA.
	Une fonction incorrecte a été sélectionnée.	Sélectionnez la fonction correcte.
	Les fils de raccordement ne sont pas branchés fermement.	Vérifiez que les fils de raccordement blanc et rouge sont bien branchés dans les deux appareils TV / SYSTEME PA.(pour public).
Le lecteur de CD ne fonctionne pas normalement ou bien le LED affiche : “- -”, “E” ou “00”	Le Disque a été placé à l'envers.	Insérez le disque correctement.
	Le disque est sale.	Nettoyez avec un chiffon doux.
	Le Disque est rayé.	Utilisez un nouveau disque.
	Le Disque est tordu.	Utilisez un nouveau disque.
	Un disque non conventionnel est inséré.	Utilisez seulement des disques avec l'étiquette standard décrite page F16.
	De l'humidité s'est formée à l'intérieur du Lecteur de CD.	Attendez de 20 à 30 minutes pour laisser sécher.
	La Singing Machine doit être redémarrée.	Débranchez l'appareil de l'alimentation pendant 30 secondes, puis branchez à nouveau.

GUIDE DE LOCALISATION DE PROBLÈMES

PROBLÈME	CAUSE POSSIBLE	SOLUTION
Pas de son – quand l'audio est connecté à un appareil stéréo domestique.	La sélection de source sur votre appareil stéréo n'est pas configurée correctement.	Sélectionnez ENTREE AUX comme source pour votre appareil stéréo.
	Connexion incorrecte à l'appareil stéréo ou au système PA (public).	Suivez les instructions page F13 pour connecter à votre appareil stéréo.
	Les fils de raccordement ne sont pas branchés fermement.	Vérifiez que les fils de raccordement blanc et rouge sont bien branchés dans les deux appareil stéréo.
Pas de son (si l'audio passe par TV ou MAGNETOSCOPE).	La Sélection de la source de la TV ou du MAGNETOSCOPE n'est pas correcte.	Suivez les instructions page F13 de "Pour faire les connections".
	Les fils de raccordement ne sont pas branchés fermement.	Vérifiez que les fils de raccordement blanc et rouge sont bien branchés dans les deux Téléviseur / Magnéscope.
Les paroles n'apparaissent pas sur l'écran.	Le câble vidéo n'est pas connecté correctement à la TV.	Raccorder le câble vidéo à la prise de sortie VIDEO OUT du Singing Machine et à la prise d'entrée VIDEO IN du téléviseur.
	Le sélecteur de source de la TV n'est pas placé sur VIDEO.	Utilisez votre télécommande de Télévision pour sélectionner l'entrée VIDEO correcte ou pour sélectionner l'entrée VIDEO correcte sur le Téléviseur lui-même. (Voir page F12 dans la rubrique Moyens courants de configurer votre TV ou Magnéscope)
	La TV ne possède pas d'entrée vidéo.	Connectez la SORTIE VIDEO de l'appareil et ENTREE VIDEO de votre MAGNETOSCOPE, ou connectez-le à un Modulateur RF et ensuite à l'entrée de câble TV. Voir " Pour Faire les Connections" page F13. Vérifier que le disque est un CDG.
	Un CDG est chargé mais le témoin CDG ne s'allume pas.	Vérifiez que le disque est propre. (Voir page F21 pour les instructions.)

GUIDE DE LOCALISATION DE PROBLÈMES

PROBLÈME	CAUSE POSSIBLE	SOLUTION
Quand un CDG est joué et que vous chantez au micro, la musique de fond ou les voix sont coupées.	AVC est au maximum.	Réglez AVC sur minimum.
	Joue seulement la piste de musique.	Joue la piste qui comprend la musique et les voix.
Aucune image n'apparaît quand on essaie d'utiliser la fonction caméra.	L'objectif de la caméra est vers le bas.	Levez l'objectif de la caméra.
	Le sélecteur du Moniteur n'est pas positionné correctement.	Placez le Sélecteur de MONITEUR en mode CAMERA.
	Le couvercle de l'objectif est sur l'objectif.	Retirez le couvercle de l'objectif.
	Le Contrôle de Luminosité n'est pas réglé correctement.	Réglez les contrôles de Contrôle de Luminosité.
L'affichage est flou.	La caméra n'a pas chauffé.	Attendez une minute jusqu'à ce que la caméra chauffe.
	L'objectif de la caméra est sale.	Nettoyez l'objectif de la caméra.
	L'objectif de la caméra n'est pas focalisé.	Réglez l'objectif de la caméra en faisant tourner doucement vers la gauche ou vers la droite jusqu'à ce que l'affichage soit net. Ne tournez pas trop l'objectif.
La Musique et les Voix passent à grande vitesse.	Le contrôle Key est mis sur Haut.	Réglez le contrôle Key sur Bas.
Quand une piste de CDG avec musique et voix joue avec on n'entend que la musique ou les voix.	Le contrôle de balance est soit à gauche soit à droite.	Réglez le contrôle de balance au milieu.
Le micro sans fil ne fonctionne pas mais le LED est allumé.	Le micro n'est pas en position "ALLUME".	Placez le micro en position "ALLUME".
	Le micro est en position "STN".	
	La pile est usée.	Changez la pile.
Le micro utilisé avec le fil ne fonctionne pas.	Le micro n'est pas en position "ALLUME".	Placez le micro en position "ALLUME".
	Le micro n'est pas branché fermement à la prise jack.	Vérifiez que le micro est bien branché à la prise jack 1 ou 2.

DÉTAILS TECHNIQUES

SECTION AUDIO: UNITÉ PRINCIPALE ALIMENTATION DE SORTIE (MAXIMUM) IMPÉDANCE DE SORTIE HAUT-PARLEURS TOURS ALIMENTATION DE SORTIE (MAXIMUM) IMPÉDANCE DE SORTIE	7 WATTS (RMS) 3 OHMS 7 WATTS (RMS) 3 OHMS
SECTION DU LECTEUR DE CD: RÉPONSE DE FRÉQUENCE RAPPORT SIGNAL - BRUIT BRUIT ET CHUINTEMENT D - A CONVERSION NOMBRE DE PROGRAMMES SYSTÈME D'ÉCHANTILLONNAGE	100 Hz - 20 kHz (+/-3 dB) 50 dB (A-WTD) INCOMMENSURABLE 1-BIT DAC PROGRAMMATION ALÉATOIRE À 20 TOURS ANTICRÉNELAGE 8 FOIS
SECTION MONITEUR	MONITEUR LCD TFT DE 17,8cm SYSTÈME NTSC
SECTION RADIO: GAMME DE FRÉQUENCE AM GAMME DE FRÉQUENCE FM	530-1710 kHz 88-108 MHz
MICRO AVEC FIL	IMPÉDANCE -74 dB 600 OHMS AVEC MICRO DYNAMIQUE Ø6,3mm
MICRO SANS FIL	IMPÉDANCE -74 dB 600 OHMS AVEC MICRO SOURCES D'ALIMENTATION: Pile 9 Volts x 1 (Non fournies)
SECTION ALIMENTATION	AC 110V-120V~60Hz
DIMENSIONS (H x L x P)	37,5 x 17,7 x 17,1 Pouces / 95,2 x 45,0 x 43,5 Centimètres
POIDS	34,6 lbs / 15,7 kgs
ACCESSOIRES	<ol style="list-style-type: none"> 1. DISQUE CD+G PRÉENREGISTRÉ DE KARAOKÉ 2. CÂBLE AV 3. VIS 4. Fil d'ALIMENTATION AC 5. Adaptateur pour iPod

Les spécifications sont typiques, les appareils individuels peuvent varier. Ils sont sujets à des améliorations continues sans avis préalable et sans faire encourir aucune obligation.

GLOSSAIRE DES TERMES DU KARAOKÉ SINGING MACHINE

En plus de la terminologie associée avec les appareils électroniques de consommation, des termes supplémentaires sont utilisés presque exclusivement pour le karaoké. Ces termes servent à vous familiariser avec l'univers du Karaoké. Les caractéristiques énumérées ci-dessous, ne s'appliquent **peut-être pas** nécessairement au modèle particulier du Singing Machine que vous avez. Voici une brève explication des termes Karaoké:

Écho:

L'écho ajoute de la profondeur et de la résonance à la voix du chanteur sans toutefois modifier la musique. Cet écho est produit en créant une répétition mineure et contrôlée dans la voix du chanteur.

Multiplex:

Nos enregistrements multiplex contiennent 2 copies de la même chanson. Une version est l'enregistrement en stéréophonie de la chanson sans la voix du chanteur leader. La seconde version est enregistrée avec la musique et le chœur sur le canal de gauche et la voix du chanteur leader enregistrée sur le canal de droite. Cet enregistrement à 'pistes divisées' vous permet de contrôler le volume de la voix du chanteur leader en réglant le bouton de la balance. Vous pouvez chanter en duo avec le chanteur leader ou utiliser la voix du chanteur leader comme guide pour apprendre la chanson et en la faiblissant progressivement avec le réglage de la balance vous serez capable de chanter la chanson tout seul.

Auto Voice Control (AVC) - Contrôle automatique de la voix:

Lorsque la fonction AVC est activée, le chant d'un enregistrement multiplex s'arrête dès que le chanteur aura chanté au microphone. Quand le chanteur arrête de chanter, le chant d'un enregistrement multiplex se réactive automatiquement. Cette fonction est utile surtout pendant l'apprentissage d'une nouvelle chanson. Veuillez noter que la fonction AVC marche seulement avec l'enregistrement multiplex et ne marche pas avec les enregistrements sonores ordinaires.

Pitch Control - Contrôle de la hauteur:

Cette fonction contrôle la hauteur de la musique en réglant la vitesse de la lecture de la cassette. En augmentant la vitesse de la cassette, la musique a un son plus aigu (haut). En diminuant la vitesse de la cassette, la musique a un son plus bas.

Key Controller - Régulateur du ton:

Le régulateur du ton change le ton de la musique du CD/CDG (en appuyant + ou -) pour l'adapter à la voix du chanteur.

CDG:

C'est un acronyme pour *Compact Disc plus Graphics* (disque compact et graphiques). Vous allez aussi voir les variantes CD+G et CD+Graphiques. C'est un CD audio régulier avec information emmagasinée sur une piste de données, simultanément à la musique. En termes simples, un CDG a une sortie vidéo pour simples graphiques (il ne s'agit pas d'un vidéo à mouvements complets). Dans le cas du Karaoké, la fonction graphique est utilisée pour emmagasiner les paroles des chansons et pour afficher les paroles en harmonie avec la musique. Dans la plupart des cas, le logiciel CDG affiche les paroles avec un changement de couleur lorsqu'elles doivent être chantées. Vous n'avez besoin que d'un téléviseur ordinaire pour afficher les paroles d'un CDG.

REMARQUE: CDG est un type particulier de système de codification de disque compact qui est différent du VCD et du DVD. Votre Singing Machine peut décoder les disques audio compacts ordinaires et les disques CDG. Il ne lira pas les disques codifiés VCD ou DVD.

Les disques audio ordinaires et les cassettes n'afficheront pas les paroles sur votre écran de téléviseur. Les CD audio n'ont pas le logiciel nécessaire pour afficher les paroles.

The Singing Machine Company, Inc.

1010-0708-ENG-SPA-FRE02W

6601 Lyons Road, Bldg. A7, Coconut Creek, FL33073-9902, USA.
TEL: (954) 596-1000 FAX: (954) 596-2000

PRINTED IN CHINA
IMPRESO EN CHINA
IMPRIMÉ EN CHINE

VISIT OUR WEBSITE www.singingmachine.com
VISITE NUESTRO SITIO INTERNET www.singingmachine.com
VISITE NOTRE SITE INTERNET www.singingmachine.com

Free Manuals Download Website

<http://myh66.com>

<http://usermanuals.us>

<http://www.somanuals.com>

<http://www.4manuals.cc>

<http://www.manual-lib.com>

<http://www.404manual.com>

<http://www.luxmanual.com>

<http://aubethermostatmanual.com>

Golf course search by state

<http://golfingnear.com>

Email search by domain

<http://emailbydomain.com>

Auto manuals search

<http://auto.somanuals.com>

TV manuals search

<http://tv.somanuals.com>