

# USE AND CARE MANUAL

For Warming Drawers

Notice d'utilisation

Tiroir de chauffage

Manual de instrucciones

Cajón calentaplatos

Models:

WDC30

WDC36

**Thermador**<sup>®</sup> | *An American Icon*<sup>™</sup>



## Table of Contents

About This Manual .....	4
How This Manual Is Organized .....	4
Safety .....	5
Important Safety Instructions .....	5
Getting Started .....	8
Parts and Accessories Included .....	8
Operation .....	10
About the Appliance .....	10
Getting the Most Out of Your Appliance .....	13
Cleaning and Maintenance .....	14
Care and Cleaning .....	14
Maintenance .....	14
Service .....	15
Necessary Information .....	15
Warranty .....	16

### Questions?

1-800-735-4328

[www.thermador.com](http://www.thermador.com)

5551 McFadden Ave.  
Huntington Beach, CA 92649

We look forward to hearing from you!

---

# About This Manual

## How This Manual Is Organized

This manual contains several sections:

- The *Safety* section describes important procedures that can ensure your safety while using the appliance.
- The *Getting Started* section describes the features and functionality of the appliance, including a description of how to set it up and operate it.
- The *Operation* section describes how to operate and get the best performance out of each component.
- The *Cleaning and Maintenance* section describes how to clean and maintain the appliance.
- The *Service* section includes troubleshooting tips and your warranty.

Before using your appliance, be sure to read this manual. Pay special attention to the *Important Safety Instructions* located at the beginning of the manual.

# Safety



## Important Safety Instructions

READ AND SAVE THESE INSTRUCTIONS



**WARNING:** When properly cared for, your new appliance has been designed to be safe and reliable. Read all instructions before use. These precautions will reduce the risk of burns, electric shock, fire, and injury to persons. When using kitchen appliances, basic safety precautions must be followed, including those in the following pages.

### Installation

- Have the installer show you the location of the circuit breaker or fuse. Mark it for easy reference.
- This appliance must be properly installed and grounded by a qualified technician. Connect only to properly grounded outlet. Refer to Installation Instructions for details.
- This appliance is intended for normal family household use only. It is not approved for outdoor use. See the Warranty. If you have any questions, contact the manufacturer.
- Do not store or use corrosive chemicals, vapors, flammables or nonfood products in or near this appliance. It is specifically designed for use when heating or cooking food. The use of corrosive chemicals in heating or cleaning will damage the appliance and could result in injury.
- Do not operate this appliance if it is not working properly, or if it has been damaged. Contact an authorized servicer.
- Do not repair or replace any part of the appliance unless specifically recommended in this manual. Refer all servicing to a factory authorized service center.

### Intended Use

The warming drawer is for keeping hot, cooked food warm and to warm up cookware. Never use it to warm or heat a room.

**CAUTION:** This unit is approved for general residential kitchen use only. It is not approved for outdoor use.

Storage - Do not store flammable materials or plastic containers in the drawer.

Use care when opening the drawer. Always use potholders when removing cookware.

Extreme caution must be used when moving a container containing hot oil or other hot liquids.

Do not touch the interior surface of the drawer while it is in use. The interior of the drawer could become hot enough to cause burns.



# Important Safety Instructions

READ AND SAVE THESE INSTRUCTIONS

## Fire Safety

Do not use aluminum foil or protective liners to line any part of an appliance, especially surface unit drip bowls or oven bottom. Installation of these liners may result in a risk of electric shock or fire.

If materials inside an oven or warming drawer should ignite, keep door closed. Turn off the appliance and disconnect the circuit at the circuit breaker box.

Use this appliance only for its intended use as described in this manual. For example, never use the appliance for warming or heating the room. Never use the appliance for storage.

Always have a working smoke detector near the kitchen.

In the event that personal clothing or hair catches fire, drop and roll immediately to extinguish flames.

Smother flames from food fires other than grease fires with baking soda. Never use water on cooking fires.

## Burn Prevention

Exercise caution when opening the appliance. Standing to the side, open the drawer slowly and slightly to let hot air and/or steam escape. Keep your face clear of the opening and make sure there are no children or pets near the unit. After the release of hot air and/or steam, proceed with your cooking. Keep doors shut unless necessary for cooking or cleaning purposes. Do not leave open doors unattended.



**WARNING:** To prevent burns, do not remove drawer while hot. Be sure drawer is empty before removing.

## Cookware Safety

**CAUTION:** Plastic containers or plastic wrap can melt if in direct contact with the drawer or a hot utensil. If it melts onto the drawer, it may not be removable.

## Food Safety

**CAUTION:** To maintain food safety, follow these guidelines:

- DO NOT use the warming drawer to heat cold food (exception: it is safe to use the drawer to crisp crackers, chips or dry cereal and to warm plates.
- Be sure to maintain proper food temperature. The USDA recommends holding hot food at 140 °F or warmer.
- DO NOT warm food for longer than one hour.

## Child Safety

When children become old enough to use the appliance, it is the legal responsibility of the parents or legal guardians to ensure that they are instructed in safe practices by a qualified person.

Do not allow anyone to climb, stand, lean, sit, or hang on any part of an appliance, especially a door, warming drawer, or storage drawer. This can damage the appliance, and the unit may tip over, potentially causing severe injury.

Do not allow children to use this appliance unless closely supervised by an adult. Children and pets should not be left alone or unattended in the area where the appliance is in use. They should never be allowed to play in its vicinity, whether or not the appliance is in use.

**CAUTION:** Items of interest to children should not be stored in an appliance, in cabinets above an appliance or on the backsplash. Children climbing on an appliance to reach items could be seriously injured.



# Important Safety Instructions

READ AND SAVE THESE INSTRUCTIONS

## Work Space / Environment

Use only dry potholders. Moist or damp potholders on hot surfaces may cause burns from steam. Do not use a towel or other bulky cloth in place of potholders.

Wear proper apparel - Loose fitting or hanging garments should never be worn while using the appliance.

## Cleaning

Allow to cool before cleaning. Switch off the appliance.

Do not use a steam jet cleaner to clean the drawer. There is a risk of short-circuiting.

## Service and Repair Safety

Do not repair or replace any part of the appliance unless specifically recommended in this manual. All other servicing should be referred to a qualified technician.

Do not operate any appliance with a damaged cord or plug or after the appliance malfunctions or has been damaged in any manner, e.g. cracks in the heating plate. Contact service.

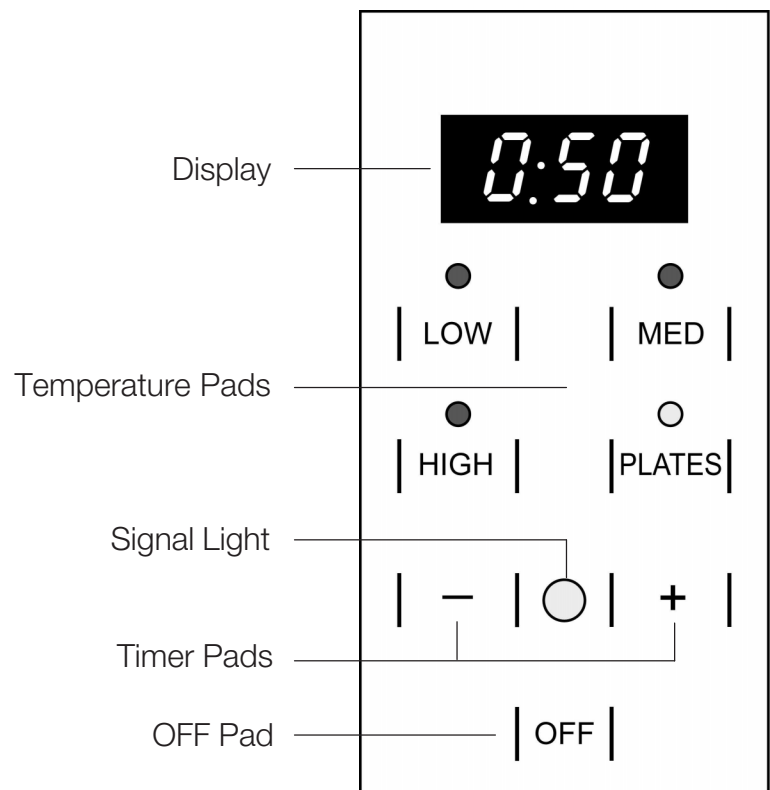
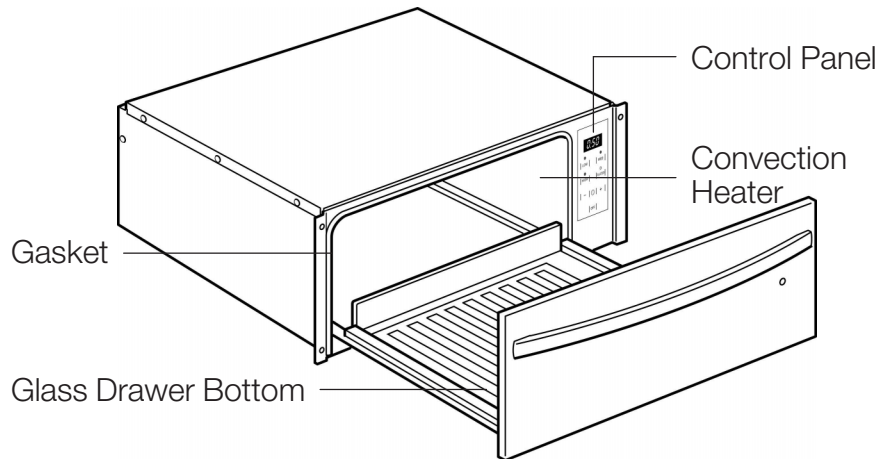
## Fire Extinguishers

Use an extinguisher only if:

- You know you have a Class ABC extinguisher, and you already know how to operate it.
- The fire is small and contained in the area where it started.
- The fire department is being called.
- You can fight the fire with your back to an exit.

# Getting Started

## Parts and Accessories Included





**Beep** The control panel beeps to confirm an entry. The timer beeps five times when the time has elapsed.

**Hot Surface Indicator (H)** The Hot Surface Indicator appears in the display when the glass bottom of the warming drawer is hot. Do not touch the inside of the drawer during this time. The H disappears when the drawer has again reached a safe-to-touch temperature.

If the warming drawer is open when it is connected, an H will appear. This is the indicator for "Hot Surface", even if the glass plate is cold. After closing the drawer, the H will disappear if the glass is cold. The H will not disappear if the glass plate is still hot.

**Off Pad** Use this pad to switch off the warming drawer.

**Signal Light** The signal light turns on when the drawer is in use. It is flashing when the drawer is open, and indicates when the drawer is closed.

**Temperature Pads** The temperature pads control the temperature of the drawer bottom.

**Table1: Temperature Pad Settings**

<b>Setting</b>	<b>Surface Temperature of Drawer Bottom</b>
LOW	140° F
MED (Medium)	170° F
HIGH	200° F
PLATES	170° F + convection

See Table "Temperature Recommendations" for recommended settings.

**Timer** The timer can be set for any increment of 5 minutes. The minimum time is 5 minutes and the maximum is 5 hour. During use, the timer automatically stops counting down when the drawer is opened. It begins again when the drawer is closed.

When the time has elapsed, the timer beeps five times and the drawer automatically turns off.

**Changing the Timer**

Use the + or - pad to change the time.

The appliance will only heat up if the drawer is closed correctly. The signal lamp indicates.

# Operation

## About the Appliance

The warming drawer will keep hot, cooked food at serving temperature. Always start with hot food. DO NOT use to heat cold food other than proofing yeast dough, crisping crackers, chips, and dry cereal, or warming plates and cookware.

## Operation

### Warming cookware

DO NOT LINE DRAWER WITH ALUMINUM FOIL

**CAUTION:** Plastic containers or plastic wrap can melt if in contact with the drawer or a hot utensil. If it melts onto the drawer, it may not be removable.

**Note:** Only load the warming drawer up to 55 pounds.

Place heavy dishes at the back of the drawer.

As far as possible, distribute the cookware over the entire surface. It takes longer to warm through tall stacks of plates than individual pieces of cookware, e.g. 2 serving dishes.

Use heat-safe dishes only. Do not preheat.

### Warming Plates and Bowls

Place plates or bowls in cold warming drawer.

1. Press PLATES pad.
2. Set timer if desired.
3. Check temperature occasionally.

### Warming Cups



**WARNING:** DO NOT use the PLATES setting to warm cups. Cups could become overheated and cause burns.

1. Press LOW pad.  
DO NOT use the PLATES setting to warm cups.
2. Set timer if desired.
3. Check temperature occasionally.

### Keeping Food Warm

To maintain food safety, follow these guidelines:

- Use aluminum foil or a heat-resistant lid to cover food.
- To prevent spills in the drawer, do not overfill cookware.

**CAUTION:**

- DO NOT use the warming drawer to heat cold food (exception: it is safe to use the drawer to crisp crackers, chips or dry cereal and to warm plates).
- Be sure to maintain proper food temperature. The USDA recommends holding hot food at 140 °F or warmer. For beef use a portable meat thermometer to check internal temperatures.
- Do not keep food warm for longer than one hour.

**CAUTION:** Do not place hot pots and pans on the warming drawer bottom immediately after removing them from the oven or cooktop. This may damage the glass surface. Instead, transfer food to a heat-safe serving dish before placing it in the warming drawer.

Tip: Place serving dish in the warming drawer during preheating to warm it up.

## Preheating

Preheat the warming drawer when warming food. For best results, preheat for the following times:

LOW: 5 minutes

MED: (Medium) 10 minutes

HIGH: 15 minutes

PLATES: It is not necessary to preheat the drawer for plates.

1. Press the pad for the desired temperature setting.
2. Set the timer if desired.
3. Place cooked, hot food in the drawer.

See the Cooking Guide under “Getting the Most Out of Your Appliance” for recommended temperature settings.

### Changing the Temperature and Time

Press the desired temperature pad. Change time if desired.

### Switch Off the Warming Drawer

Press the OFF pad.

## Proofing

Place dough in large bowl (dough will double in size). Lightly oil top of dough and cover with clean cloth. Place bowl in drawer.

1. Press LOW pad.
2. Set the timer for 55 minutes.
3. Preheat for 15 minutes.
4. Check dough height in 40 minutes. Add time as needed.

## Crisping Stale Items

Place food in low sided dishes or pans.

1. Preheat on LOW.
2. Set timer to 60 minutes.
3. Preheat for 15 minutes, then place dish in drawer.
4. Check crispness after 45 minutes. Add time as needed.

## Sabbath Features

The Sabbath Feature is for religious faiths with “no work” requirements on the Sabbath.

- The warming drawer can be set to run for 24, 48 or 74 hours before automatically turning off.
- While operating in Sabbath mode, the display will show SAB.
- The time cannot be changed once the Sabbath feature is set.
- Press OFF at any time during the Sabbath mode to end the mode and turn off the appliance.

### Setting the Sabbath Feature

1. Press the pad for the desired temperature.
2. Press + pad. Timer counts up until 5:00.  
Keep + pad pressing until SAB appears.  
After three seconds, 24h appears in the display.  
The signal lamp lights up.
3. Press + pad to change run time from 24 hours to either 48 hours or 74 hours.
4. After three seconds, SAB appears in the display.  
The Sabbath feature is now activated.

### Changing the Temperature when the Sabbath Feature is Activated:

Press pad for desired temperature.

**Note:** The timer cannot be changed after the Sabbath Feature is activated.

### Cancelling the Sabbath Feature:

Press OFF pad.

# Getting the Most Out of Your Appliance

**Table 2: Temperature Recommendations**

Level	Food / cookware	Note
LOW	Delicate frozen food e.g. cream cakes, butter, cheese, bread	Defrost
LOW	Beef, Rare	Preheat cookware, cover food
LOW	Proofing yeast dough	Cover
MED	Keeping eggs warm e.g. hard-boiled eggs, scrambled eggs	Preheat cookware, cover food
MED	Keeping bread warm e.g. toast, bread, rolls, pies	Preheat cookware, cover food
MED	Delicate food e.g. beef (medium and well done), Ham, Lamb, Pork	Preheat cookware, cover food
MED	Casserole, cooked cereal	Preheat cookware, cover food
MED	Fish, seafood	Preheat cookware, cover food
MED	Fruit, vegetables, mashed potatoes	Preheat cookware, cover food
MED	Gravy, cream sauce	Preheat cookware, cover food
HIGH	Keeping food warm e.g. bacon, fried food, poultry	Preheat cookware, cover food
HIGH	Keeping drinks warm. DO NOT keep drinks warm in individual mugs or cups.	Preheat cookware, cover food
HIGH	Warming flat, dough-based foods, e.g. pancake, wraps, tacos, waffles, pizza, baked potato	Preheat cookware
HIGH	Warming dry cakes e.g. crumb cake, muffins	Preheat cookware, cover food
HIGH	Melting cooking chocolate or chocolate coating	Preheat cookware, break up food into small pieces
HIGH	Dissolving gelatine	Open, approximately 20 minutes
PLATES	Preheating cookware	Not suitable for drink containers
LOW	Preheating cups	

# Cleaning and Maintenance

## Care and Cleaning

### Care and Cleaning

Switch off the appliance. Allow to cool before cleaning.  
Chlorine and chlorine compounds are corrosive to stainless steel. Check the labels of your cleaners. **Always rinse and dry thoroughly**, especially when using a cleaner with chlorine.

**Table 3: Care Chart**

Part	Cleaner	Directions
Drawer Interior (Polished Stainless Steel)	Dish Detergent	Wash, rinse well and dry. For hard water spots or scale, use vinegar. Apply with a sponge or cloth, rinse and dry.
Drawer Interior Bottom (Glass)	Dish Detergent	Wash, rinse well and dry.
Drawer Exterior Frame (Brushed Stainless Steel)	<b>For Everyday Cleaning:</b> Mild Cleansers and Polishes such as dish detergent, ammonia and Stainless Steel Magic®	<b>For Everyday Cleaning:</b> Wash, rinse well and dry.
	<b>For Stubborn Soil:</b> Slightly Abrasive Cleaners such as Soft Scrub® or Bon Ami®	<b>For Stubborn Soil:</b> Apply with a damp sponge or cloth. <i>Always rub in the direction of the polish lines.</i> Wipe clean damp cloth or sponge. Dry.

## Maintenance

The warming drawer requires only regular cleaning for proper operation. No other maintenance is required. See “Care and Cleaning” above for detailed instructions.

### Removing the drawer

The warming drawer is not removable.

# Service

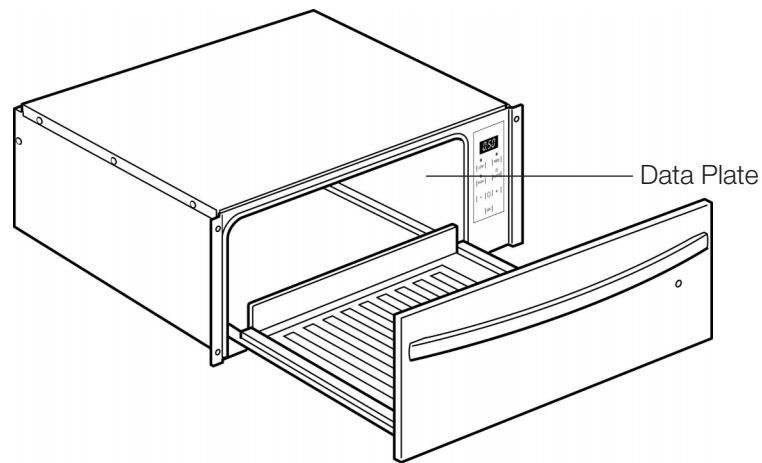
## Necessary Information

When contacting service, please have your serial number and model number ready.

### Product Data Plate

The data plate shows the model and serial number. It is located to the left of the control panel.

Keep your invoice or escrow papers for warranty validation if service is needed.



# Warranty

## Full One Year Warranty

Covers one year from date of Installation, or date of occupancy on a new, previously unoccupied dwelling. Save your dated receipt or other evidence of installation/occupancy date.

### We Will Pay For:

All repair and replacement parts found to be defective due to materials and workmanship.

Service must be provided by a Factory Authorized Service Agency, during normal working hours. For a Service Agency nearest you, please call 800-944-2904.

### We Will Not Pay For:

- Service by an unauthorized agency. Damage or repairs due to service by an unauthorized agency or the use of unauthorized parts.
- Service visits to:
  - a) Teach you how to use the appliance.
  - b) Correct defects or repairs due to improper installation. You are responsible for providing electrical wiring and other connecting facilities.
- Reset circuit breakers or replace home fuses.
- Damage caused from accident, alteration, misuse, abuse, improper installation or installation not in accordance with local electrical codes or plumbing codes, or improper storage of the appliance.
- Service labor during limited warranty period.
- Travel fees and associated charges incurred when the product is installed in a location with limited or restricted access. (i.e., airplane flights, ferry charges, isolated geographic regions).
- Repairs due to other than normal home use.

### General Information

This warranty applies to appliances used in residential applications; it does not cover their use in commercial installations.

The warranty is for products purchased and retained in the 50 states of the U.S.A., the District of Columbia and Canada. Should the appliance be sold by the original purchaser during the warranty period, the new owner continues to be protected until the expiration date of the original purchaser's warranty period. Products for use in Canada must be purchased through the Canadian distribution channel to ensure regulatory compliance and warranty coverage.

This warranty gives you specific legal rights. You may also have other rights which vary from state to state.



## Table de Matières

À propos de ce manuel .....	18
Manière dont ce manuel est structuré .....	18
<b>Sécurité</b> .....	<b>19</b>
Instructions de sécurité importantes .....	19
<b>Démarrage</b> .....	<b>22</b>
Pièces et accessoires inclus .....	22
<b>Fonctionnement</b> .....	<b>24</b>
À propos de l'appareil .....	24
<b>Tirer le maximum de votre appareil</b> .....	<b>26</b>
<b>Nettoyage et entretien</b> .....	<b>28</b>
Entretien et nettoyage .....	28
Entretien .....	29
<b>Service</b> .....	<b>29</b>
Information requise .....	29
Garantie .....	30

### Questions?

1-800-735-4328

[www.thermador.com](http://www.thermador.com)

5551 McFadden Ave.  
Huntington Beach, CA 92649

Nous nous réjouissons d'avance de recevoir  
de vos nouvelles!

---

# À propos de ce manuel

## Manière dont ce manuel est structuré

Ce manuel est divisé en plusieurs sections :

- La section *Sécurité* décrit d'importantes consignes de sécurité que vous devez observer pour utiliser l'appareil en toute sécurité.
- La section *Démarrage* explique les caractéristiques et les fonctions de l'appareil, y compris comment l'installer et le mettre en service.
- La section *Fonctionnement* explique comment utiliser chacun des composants de manière optimale.
- La section *Nettoyage et entretien* explique comment nettoyer et assurer l'entretien de l'appareil.
- La section *Service* comprend des conseils de dépannage ainsi que votre garantie.

Avant d'utiliser l'appareil, lisez sans faute ce manuel. Portez une attention particulière à *Consignes de sécurité importantes* au début de ce manuel.

## Instructions de sécurité importantes

LIREZ ET GARDEZ CES INSTRUCTIONS



**AVERTISSEMENT:** Votre nouvel appareil électroménager a été construit pour fonctionner de manière sûre et fiable si vous en prenez bien soin. Lire toutes les instructions avant l'emploi. Ces précautions réduisent les risques de brûlures, de choc électrique, d'incendie et de lésions corporelles. Lors de l'utilisation d'un appareil électroménager, quelques précautions de sécurité élémentaires doivent être observées, y compris celles qui figurent aux pages suivantes.

### Installation

- Demandez à l'installateur de vous indiquer l'emplacement du disjoncteur ou du fusible. Le noter pour vous faciliter la tâche.
- Cet appareil doit être adéquatement installé et mis à la terre par un technicien agréé. Brancher l'appareil uniquement dans une prise mise à la terre correctement. Pour plus de détails, reportez-vous à la notice d'installation.
- Cet appareil est prévu pour un usage domestique familial normal. Il n'est pas approuvé pour l'usage en extérieur. Voir la garantie. Pour toute question, communiquer avec le fabricant.
- Ne pas entreposer ni utiliser de produits chimiques corrosifs, vapeur, produits inflammables ou articles non alimentaires sur ou près de cet appareil. Il a été spécialement conçu pour être utilisé pendant le chauffage et la cuisson des aliments. L'emploi de produits chimiques corrosifs pour chauffer ou nettoyer l'appareil endommagera ce dernier et peut provoquer des blessures.
- Ne pas se servir de cet appareil s'il ne fonctionne pas correctement ou s'il est endommagé. Communiquer avec un service de réparation autorisé.
- Ne pas réparer ni remplacer toute pièce de l'appareil à moins que cela ne soit spécifiquement recommandé par ce manuel. Toute réparation doit être effectuée par un centre de réparation autorisé par l'usine.

### Utilisation prévue

Le tiroir-réchaud est prévu pour conserver les aliments cuits au chaud et pour chauffer les ustensiles de cuisine. Ne jamais l'utiliser pour réchauffer ou chauffer une pièce.

**ATTENTION:** Cet appareil est approuvé uniquement pour un usage domestique résidentiel général. Il n'est pas approuvé pour un usage en extérieur.

Entreposage - Ne pas entreposer de matières inflammables ou de contenants en plastique dans le tiroir.

Ouvrir le tiroir avec précaution. Toujours utiliser des maniques pour sortir les ustensiles de cuisine du tiroir.

Faire preuve d'une extrême prudence en déplaçant les récipients contenant de l'huile chaude ou d'autres liquides chauds.

Ne pas toucher la surface intérieure du tiroir pendant qu'il chauffe. L'intérieur du tiroir peut atteindre une température suffisamment élevée pour infliger des brûlures.



# Instructions de sécurité importantes

LIREZ ET GARDEZ CES INSTRUCTIONS

## Sécurité-incendie

Ne pas garnir le fond d'une quelconque partie de l'appareil avec une feuille d'aluminium ou de protection, et en particulier les cuvettes de propreté des éléments de surface ou la sole du four. Ceci pourrait susciter un risque de choc électrique ou d'incendie.

Si des matériaux à l'intérieur d'un four ou d'un tiroir-réchaud venaient à prendre feu, conserver la porte fermée. Éteindre l'appareil et déconnecter le circuit depuis le boîtier de disjoncteurs.

Utiliser cet appareil uniquement pour l'usage auquel il est destiné comme l'indique ce manuel. Par exemple, ne jamais l'utiliser pour réchauffer ou chauffer une pièce. L'appareil ne doit jamais servir à entreposer quoi que ce soit.

Veiller à toujours avoir un détecteur de fumée en bon état de fonctionnement à proximité de la cuisine.

Si les vêtements ou les cheveux d'une personne prennent feu, cette dernière doit se jeter au sol et rouler sur elle-même pour éteindre les flammes.

Étouffer les flammes d'un feu d'aliments autre qu'un feu de graisse avec du bicarbonate de soude. Ne jamais utiliser d'eau sur un feu de cuisson.

## Prévention des brûlures

Faire attention en ouvrant le tiroir-réchaud. Se tenir sur le côté, entrouvrir le tiroir lentement pour laisser l'air chaud et/ou la vapeur s'échapper. Éloigner le visage de l'ouverture et s'assurer qu'aucun enfant ou animal n'est à proximité. Une fois l'air chaud et/ou la vapeur sorti, continuer la cuisson. Ne pas laisser les portes ouvertes à moins que vous ne soyez en train de cuisiner ou de nettoyer. Ne pas laisser les portes ouvertes sans surveillance.



**AVERTISSEMENT:** Pour éviter les brûlures, ne pas sortir le tiroir lorsqu'il est chaud. Veiller à ce que le tiroir soit vide avant de le sortir.

## Sécurité des ustensiles de cuisine

**ATTENTION:** Les contenants ou les films étirables en plastique peuvent fondre au contact direct avec le tiroir ou un ustensile chaud. Si tel est le cas, il sera peut-être impossible de les enlever.

## Sécurité des aliments

**ATTENTION:** Pour maintenir la sécurité des aliments, observer ces directives :

- NE PAS utiliser le tiroir-réchaud pour chauffer des aliments froids (sauf pour rendre croustillants des craquelins, croustilles, céréales sèches et pour réchauffer des assiettes.
- S'assurer de conserver les aliments à la température appropriée. La USDA recommande une température de 140 °F ou plus.
- NE PAS réchauffer les aliments pendant plus d'une heure.

## Sécurité des enfants

Dès que les enfants sont en âge d'utiliser l'appareil, il est de la responsabilité des parents ou des tuteurs légaux de veiller à ce qu'ils soient informés des pratiques de sécurité par une personne qualifiée.

Ne permettre à personne de grimper, rester debout, s'appuyer, s'asseoir ou se pencher sur toute partie d'un appareil, notamment une porte, un tiroir-réchaud ou un tiroir de rangement. Ceci peut endommager l'appareil qui risque de basculer et causer des blessures sérieuses.

Ne pas permettre aux enfants d'utiliser cet appareil sauf sous la surveillance attentive d'un adulte. Ne pas laisser les enfants et les animaux seuls ou sans surveillance lorsque l'appareil est en service. Ne jamais les laisser jouer aux alentours de l'appareil, que ce dernier soit en service ou non.



# Instructions de sécurité importantes

LIREZ ET GARDEZ CES INSTRUCTIONS

**ATTENTION:** Ne pas ranger des objets qui présentent un intérêt pour les enfants dans l'appareil, les placards placés au-dessus de l'appareil ou sur le dossier. Les enfants peuvent grimper sur l'appareil pour atteindre ces objets et se blesser sérieusement.

## Espace de travail / Environnement

Utiliser uniquement des maniques sèches. Les maniques humides ou mouillées peuvent provoquer des brûlures par la vapeur au contact des surfaces chaudes. Ne pas utiliser un torchon ou un chiffon épais à la place des maniques.

Porter des vêtements appropriés - Ne jamais porter de vêtements flottants ou mal ajustés lors de l'utilisation de l'appareil.

## Nettoyage

Laisser l'appareil refroidir avant de le nettoyer. Mettre l'appareil hors tension. Ne pas utiliser un nettoyeur à jet de vapeur pour nettoyer le tiroir. Il y a un risque de court-circuit.

## Sécurité pour l'entretien et la réparation

Ne pas réparer ni remplacer toute pièce de l'appareil à moins que cela ne soit spécifiquement recommandé par ce manuel. Toute intervention doit être confiée à un technicien agréé.

Ne pas faire fonctionner un appareil dont le cordon ou la prise d'alimentation sont endommagés ou après un fonctionnement défectueux de l'appareil ou encore si ce dernier a été endommagé de quelque manière que ce soit, p. ex. si la plaque chauffante comporte des fentes. Communiquer avec le service.

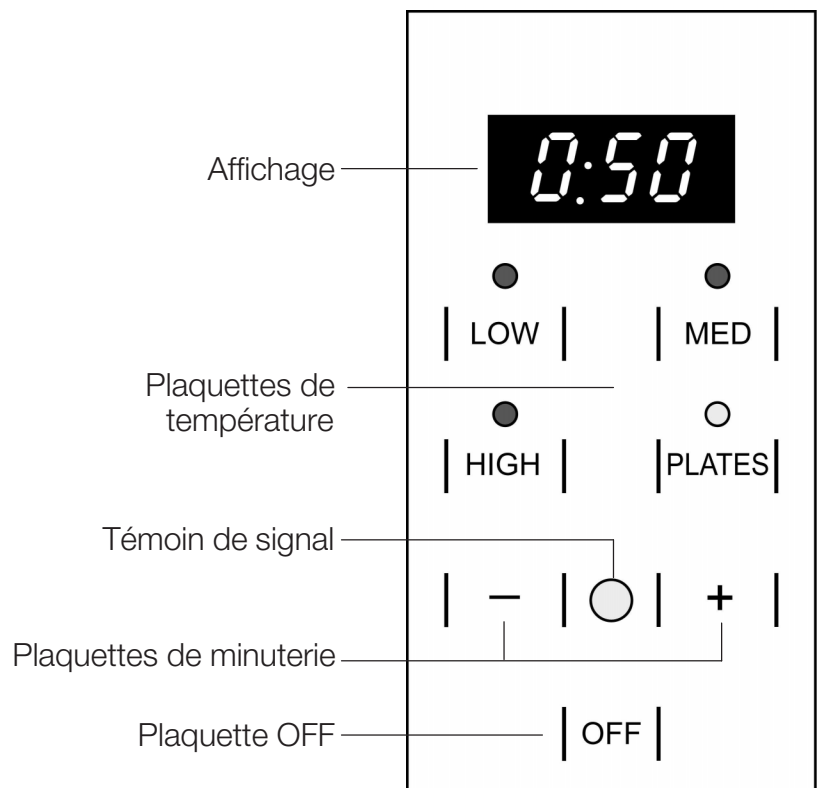
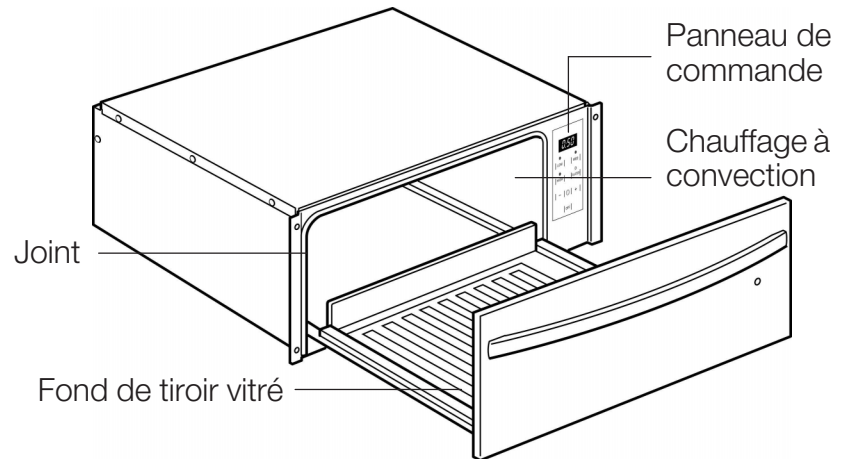
## Extincteurs d'incendie

N'utiliser un extincteur que si :

- Vous savez que vous avez un extincteur de classe ABC et comment l'utiliser.
- Le feu est petit et circonscrit à la zone où il a débuté.
- On a fait appel aux pompiers.
- Il est possible de combattre l'incendie le dos à une sortie.

# Démarrage

## Pièces et accessoires inclus



## Bip

Le panneau de commande émet un bip pour confirmer une entrée. La minuterie émet cinq bips lorsque le temps s'est écoulé.

## Indicateur de surface chaude (H)

L'indicateur de surface chaude s'affiche à l'écran quand le fond vitré du tiroir réchauffe-plat est chaud. Ne touchez pas l'intérieur du tiroir pendant ce temps. Le H disparaît lorsque le tiroir a atteint de nouveau une température sécuritaire.

Si le tiroir réchauffe-plat est ouverte quand il est branché, un H apparaîtra. C'est l'indicateur de «surface chaude», même si la plaque vitrée est froide. Après avoir fermé le tiroir, le H disparaîtra si le verre est froid. Le H ne disparaîtra pas si la plaque de verre est chaude.

## Plaquette OFF

Utilisez cette plaquette pour éteindre le tiroir réchauffe-plat.

## Témoin

Le témoin s'éteint lorsque le tiroir est en service. Il clignote lorsque le tiroir est ouvert et indique quand le tiroir est fermé.

## Plaquettes de température

Les plaquettes de température commandent la température du fond du tiroir.

**Tableau 1 : Réglages des plaquettes de température**

Réglage	Surface Température du fond de tiroir
LOW	140° F
MED (Moyen)	170° F
HIGH	200° F
PLATES	170° F + convection

Voir le tableau «Recommandations de température» pour les réglages recommandés.

## Minuterie

La minuterie peut être réglée pour tout incrément de 5 minutes. Le temps minimum est de 5 minutes et le temps maximum est de 5 heures. Pendant l'utilisation, la minuterie arrête automatiquement le décompte lorsque le tiroir est ouvert. Il reprend aussitôt le tiroir fermé.

Lorsque le temps s'est écoulé, la minuterie émet cinq avertissements sonores et le tiroir s'éteint automatiquement.

### Changement de la minuterie

Utilisez la plaquette + ou – pour changer le temps.

L'appareil se mettra en marche seulement si le tiroir est fermé correctement. Le témoin indique.

# Fonctionnement

## À propos de l'appareil

Le tiroir réchauffe-plat conservera les aliments chauds et cuits à la température de service. Commencez toujours avec des aliments chauds. **N'UTILISEZ PAS** l'appareil pour réchauffer des aliments froids à l'exception de la préparation de la pâte levée le raffermissement des craquelins, croustilles, céréales ou le réchauffement des assiettes et des plats allant au four.

## Fonctionnement

### Réchauffement des plats allant au four

NE DOUBLEZ PAS LE TIROIR DE PAPIER D'ALUMINIUM

**ATTENTION:** Les contenants en plastique ou les pellicules en plastique peuvent fondre s'ils entrent en contact avec le tiroir ou avec un ustensile chaud. S'ils fondent sur le tiroir, ils peuvent s'y incruster de manière permanente.

**Remarque:** Le tiroir de réchauffement peut soutenir un poids maximum de 55 livres.

Placez les plats lourds à l'arrière du tiroir.

Espacez autant que possible les plats de service sur la surface entière. De grosses piles d'assiettes prendront plus de temps à réchauffer que les plats individuels, p. ex. 2 plats de service.

Utilisez des assiettes pouvant aller au chaud seulement. Ne préchauffez pas.

### Réchauffement des assiettes et bols.

Placez les assiettes et bols dans le tiroir réchauffe-plat froid.

1. Appuyez sur la plaquette PLATES.
2. Réglez la minuterie au besoin.
3. Vérifiez la température à l'occasion.

### Réchauffement des tasses



**AVERTISSEMENT:** N'UTILISEZ PAS le réglage PLATES pour réchauffer les tasses. Les tasses peuvent surchauffer et causer des brûlures.

1. Appuyez sur la plaquette LOW.  
N'UTILISEZ PAS le réglage PLATES pour réchauffer les tasses.
2. Réglez la minuterie au besoin.
3. Vérifiez la température à l'occasion.

### Maintenir les aliments au chaud

Pour assurer l'hygiène alimentaire, observez les lignes directrices suivantes :

- Utilisez du papier d'aluminium ou un couvercle résistant à la chaleur pour couvrir les aliments.
- Pour empêcher des déversements dans le tiroir, ne surchargez pas le tiroir.

#### **ATTENTION:**

- N'UTILISEZ PAS le tiroir réchauffe-plat pour réchauffer des aliments froids : exception : vous pouvez utiliser le tiroir pour raffermir les craquelins, croustilles ou céréales et pour réchauffer les plats).



- Assurez-vous de maintenir les aliments à une température adéquate. L'USDA recommande de maintenir les aliments chauds à 140° F ou plus. Pour le boeuf, utilisez un thermomètre à viande portatif pour vérifier la température interne.
- Recommandation : Ne réchauffez pas les aliments chauds pendant plus d'une heure.

**ATTENTION:** Ne placez pas des marmites ou des poêles sur le fond du tiroir réchauffe-plat immédiatement après les avoir retirés du four ou de la cuisinière. Cela peut endommager la surface vitrée. Transférez plutôt les aliments dans un plat de service résistant à la chaleur avant de placer ce dernier dans le tiroir réchauffe-plat.

Conseil : Placez le plat de service dans le tiroir de réchauffement pour le préchauffer.

## Préchauffage

Préchauffez le tiroir réchauffe-plat pour le réchauffement des aliments. Pour de meilleurs résultats, préchauffez pendant la période suivante :

LOW : 5 minutes

MED : (Moyen) 10 minutes

HIGH : 15 minutes

PLATES : Il n'est pas nécessaire de préchauffer le tiroir réchauffe-plat pour les assiettes.

1. Appuyez sur la plaquette pour la température souhaitée.
2. Réglez la minuterie au besoin.
3. Placez les aliments cuits et chauds dans le tiroir.

Voir le Guide de cuisson sous «Tirer le maximum de votre appareil» pour les réglages de température recommandés.

### Changement de la température et du temps

Appuyez sur la plaquette de température souhaitée. Changez le temps au besoin.

### Éteignez le tiroir réchauffe-plat.

Appuyez sur la plaquette OFF.

## Préparation

Placez la pâte dans un grand bol (la pâte doublera de volume). Huilez légèrement le dessus de la pâte et couvrez avec un chiffon propre. Placez la pâte dans le tiroir.

1. Appuyez sur la plaquette LOW.
2. Réglez la minuterie pendant 55 minutes.
3. Préchauffez pendant 15 minutes.
4. Vérifiez la hauteur de la pâte dans 40 minutes. Ajoutez du temps au besoin.

## Raffermer des aliments

Placez les aliments dans des plats ou poêles peu profonds.

1. Préchauffez à LOW.
2. Réglez la minuterie à 60 minutes.
3. Préchauffez pendant 15 minutes, puis placez le plat dans le tiroir.
4. Vérifiez après 45 minutes. Ajoutez du temps au besoin.

## Fonction du Sabbath

La fonction Sabbath est conçu à l'intention de croyances religieuses interdisant le travail le jour du Sabbath.

- Le tiroir réchauffe-plat peut être réglé pour être en marche pendant 24, 48 ou 74 heures avant de s'éteindre automatiquement.
- En mode Sabbath, l'affichage indiquera SAB.
- L'heure ne peut être changée une fois que la fonction est réglée.
- Appuyez sur OFF en tout temps pendant le mode Sabbath pour mettre un terme au mode et étendre l'appareil.

### Réglage de la fonction Sabbath

1. Appuyez sur la plaquette pour la température souhaitée.
2. Appuyez sur la plaquette +. La minuterie compte jusqu'à 5:00. Appuyez continuellement sur la plaquette + jusqu'à ce que SAB apparaisse. Après trois secondes, 24h apparaît sur l'affichage. Le témoin s'allume.
3. Appuyez sur la plaquette + pour changer la durée de 24 heures à 48 ou 74 heures.
4. Après trois secondes, SAB s'affiche. La fonction Sabbath est maintenant activée.

### Changement de la température lorsque la fonction Sabbath est activée :

Appuyez sur la plaquette pour la température souhaitée.

**Remarque:** La minuterie ne peut pas être changée une fois la fonction Sabbath activée.

### Annulation de la fonction Sabbath :

Appuyez sur la plaquette OFF.

---

# Tirer le maximum de votre appareil

Tableau 2 : Recommandations de température

Niveau	Aliment / plat allant au four	Remarque
LOW	Aliments délicats p. ex. gâteaux, beurre, fromage, pain	Décongélation
LOW	Boeuf, Saignant	Préchauffer le plat allant au four, couvrir l'aliment

Niveau	Aliment / plat allant au four	Remarque
LOW	Laisser la pâte lever	Couvercle
MED	Conserver les oeufs au chaud p. ex. oeufs durs, oeufs brouillés	Préchauffer le plat allant au four, couvrir l'aliment
MED	Conserver le pain chaud p. ex. rôtie, pain, brioches, tartes	Préchauffer le plat allant au four, couvrir l'aliment
MED	Aliments délicats p. ex. boeuf (à point et bien cuit), jambon, agneau, porc	Préchauffer le plat allant au four, couvrir l'aliment
MED	Casserole, céréales cuites	Préchauffer le plat allant au four, couvrir l'aliment
MED	Poisson, fruits de mer	Préchauffer le plat allant au four, couvrir l'aliment
MED	Fruits, légumes, purée de pommes de terre	Préchauffer le plat allant au four, couvrir l'aliment
MED	Sauce, sauce à la crème	Préchauffer le plat allant au four, couvrir l'aliment
HIGH	Conserver les aliments au chaud p. ex. bacon, aliments frits, volaille	Préchauffer le plat allant au four, couvrir l'aliment
HIGH	Conserver les boissons au chaud. NE PAS conserver les boissons au chaud dans leurs tasses ou récipients originaux.	Préchauffer le plat allant au four, couvrir l'aliment
HIGH	Réchauffement des aliments à base de farine, p. ex. crêpes, roulés, tacos, gaufres, pizzas, pommes de terre cuites au four	Préchauffer le plat allant au four
HIGH	Réchauffer les gâteaux secs p. ex. crumble, muffins	Préchauffer le plat allant au four, couvrir l'aliment
HIGH	Faire fondre du chocolat de cuisson ou l'enrobage	Préchauffer le plat allant au four, casser le chocolat en petits morceaux
HIGH	Dissoudre de la gélatine	Ouvrir, environ 20 minutes
PLATES	Préchauffer le plat allant au four	Ne convient pas pour les contenants à boisson
LOW	Préchauffage des tasses	

# Nettoyage et entretien

## Entretien et nettoyage

### Entretien et nettoyage

Éteignez l'appareil. Laissez l'appareil refroidir avant de nettoyer.  
Le chlore ou les composés de chlore ont un effet nocif sur l'acier inoxydable.  
Vérifiez les étiquettes de vos nettoyants. **Rincez et séchez toujours à fond**, surtout lorsque vous utilisez un nettoyant avec du chlore.

Tableau 3 : Tableau d'entretien

Pièce	Nettoyant	Instructions
Intérieur du tiroir (acier inoxydable poli)	Détergent à vaisselle	Laver, rincer et sécher à fond. Pour les taches d'eau dure, calamine, utiliser du vinaigre. Appliquer avec une éponge ou un tissu, rincer et sécher.
Fond vitré du tiroir	Détergent à vaisselle	Laver, rincer et sécher à fond.
Cadre extérieur du tiroir (acier inoxydable brossé)	<b>Pour le nettoyage quotidien :</b> Les nettoyants et pols non abrasifs tels que les détergents à vaisselle, ammoniac et Stainless Steel Magic®  <b>Pour les taches coriaces :</b> Nettoyants légèrement abrasifs tels que Soft Scrub® ou Bon Ami®	<b>Pour le nettoyage quotidien :</b> Laver, rincer et sécher à fond.  <b>Pour les taches coriaces :</b> Appliquer avec une éponge ou un tissu humide. <i>Toujours frotter dans la direction des lignes de poli.</i> Nettoyer avec un chiffon ou une éponge humide. Sécher.

# Entretien

Le tiroir réchauffe-plat a seulement besoin d'un nettoyage régulier pour en assurer le fonctionnement optimal. Aucun autre entretien n'est requis. Voir «Entretien et nettoyage» ci-dessus pour des instructions plus détaillées.

## Retrait du tiroir

Le tiroir réchauffe-plat n'est pas amovible.

---

# Service

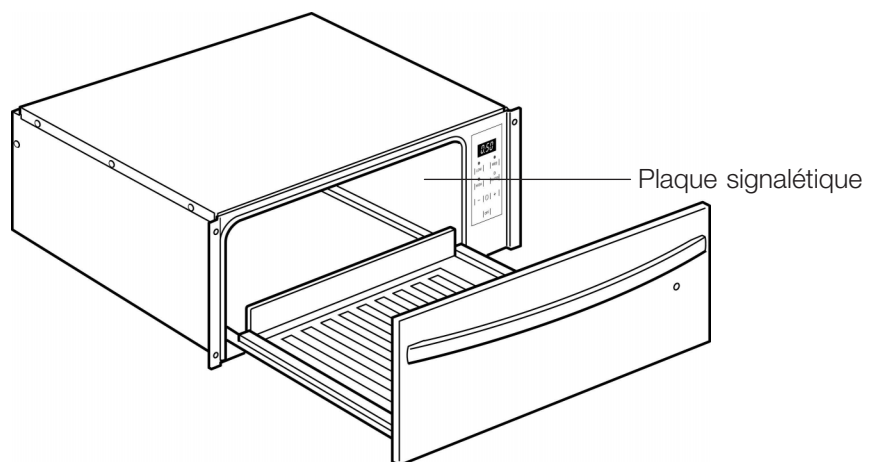
## Information requise

Lorsque vous communiquez avec le service, veuillez avoir sous la main le numéro de série et le numéro de modèle.

## Plaque signalétique du produit

La plaque signalétique affiche le numéro de modèle et le numéro de série. Elle se trouve à la gauche du panneau de commande.

Conserver la facture et le contrat aux fins de validation au cas où une intervention serait nécessaire.



# Garantie

## Garantie d'un an

La garantie s'applique pendant un an à partir de l'installation ou date d'occupation dans une nouvelle résidence antérieurement inoccupée. Conservez votre reçu daté ou autre preuve d'installation/d'occupation.

### Nous paierons pour :

Toutes les réparations et pièces de rechange qui se sont avérées défectueuses en raison d'un vice de fabrication ou de main-d'oeuvre.

Le service doit être fourni par un agent de service autorisé pendant les heures normales. Pour l'agence de service la plus proche, veuillez composer le 800-944-2904.

### Nous ne paierons pas pour :

- Service par une agence non autorisée. Dommages ou réparations causés par le service d'une agence non autorisée ou d'utilisation de pièces non autorisées.
- Les interventions de service pour :
  - a) Vous apprendre comment utiliser l'appareil.
  - b) Corriger les défauts ou les réparations dus à une installation inadéquate. Vous êtes responsable du câblage électrique et autres installations de branchement.
- Rétablissement des disjoncteurs ou remplacement des fusibles.
- Dommages causés à la suite d'un accident, d'une modification, d'une mauvaise utilisation, d'un abus, d'une installation incorrecte ou d'une installation non conforme avec les codes électriques locaux ou les codes de plomberie, ou le stockage inapproprié de l'appareil.
- Main-d'oeuvre de service pendant la période de garantie limitée.
- Frais de déplacement et frais associés encourus lorsque le produit est installé dans un lieu avec un accès limité ou restreint (p. ex., vols, traversiers, régions éloignées).
- Réparations dues à un usage anormal.

### Information générale

Cette garantie s'applique aux appareils utilisés dans applications résidentielles; elle ne couvre pas l'installation commerciale.

La garantie est pour des produits achetés et conservés dans les 50 États des États-Unis, le District de Columbia et le Canada. Si l'appareil est vendu par l'acheteur d'origine pendant la période de garantie, le nouveau propriétaire continuera d'être protégé en vertu de la garantie jusqu'à la date d'expiration de la période de garantie de l'acheteur d'origine.

Les produits pour utilisation au Canada doivent être achetés par l'entremise d'un distributeur canadien pour assurer la conformité et la couverture de garantie.

Cette garantie vous donne des droits légaux spécifiques, auxquels peuvent s'ajouter d'autres droits pouvant varier d'un État à l'autre.

## Contenido

Acerca de este manual .....	32
Cómo se organiza este manual .....	32
<b>Seguridad .....</b>	<b>33</b>
Instrucciones de seguridad importantes .....	33
<b>Cómo comenzar .....</b>	<b>36</b>
Piezas y accesorios incluidos .....	36
<b>Operación .....</b>	<b>38</b>
Acerca del electrodoméstico .....	38
<b>Cómo aprovechar al máximo su electrodoméstico .....</b>	<b>40</b>
<b>Limpieza y mantenimiento .....</b>	<b>42</b>
Cuidado y limpieza .....	42
Mantenimiento .....	42
<b>Servicio técnico .....</b>	<b>43</b>
Información necesaria .....	43
Garantía .....	44

### ¿Preguntas?

1-800-735-4328

[www.thermador.com](http://www.thermador.com)

5551 McFadden Ave.  
Huntington Beach, CA 92649

¡En caso de duda, no dude en dirigirse a  
nosotros!

---

# Acerca de este manual

## Cómo se organiza este manual

Este manual contiene diversas secciones:

- La sección *Seguridad* describe los procedimientos importantes que pueden garantizarle su seguridad mientras usa el electrodoméstico.
- La sección *Cómo comenzar* describe las características y la funcionalidad del electrodoméstico, e incluye una descripción de su configuración y operación.
- La sección *Operación* describe cómo operar cada componente y aprovechar al máximo su rendimiento.
- La sección *Limpieza y mantenimiento* describe cómo limpiar y mantener el electrodoméstico.
- La sección *Servicio técnico incluye consejos para resolver los problemas y la garantía*.

Antes de usar el electrodoméstico, asegúrese de leer este manual. Preste especial atención a las *Instrucciones de seguridad importantes* que se encuentran al comienzo del manual.



# Seguridad

## Instrucciones de seguridad importantes

LEA Y GUARDE ESTAS INSTRUCCIONES



**AVISO:** Su nuevo electrodoméstico ha sido diseñado para ser seguro y confiable si recibe el cuidado adecuado. Lea todas las instrucciones antes de usarlo. Estas precauciones reducirán el riesgo de quemaduras, descarga eléctrica, incendio y lesiones a personas: Al utilizar electrodomésticos de cocina, se deben tomar precauciones de seguridad básicas, incluidas las que se encuentran en las páginas siguientes.

### Instalación

- Pídale al instalador que le muestre la ubicación del disyuntor o el fusible. Márquelo para recordarlo más fácilmente.
- Este electrodoméstico debe ser correctamente instalado y conectado a tierra por un técnico calificado. Conéctelo sólo a una toma de corriente correctamente conectada a tierra. Para obtener más información, consulte las Instrucciones de instalación.
- Este electrodoméstico ha sido diseñado para el uso doméstico normal de una familia únicamente. No está aprobado para uso en exteriores. Consulte la garantía. Si tiene alguna pregunta, comuníquese con el fabricante.
- No almacene ni utilice productos químicos corrosivos, vapores, materiales inflamables ni productos no alimenticios dentro de este electrodoméstico ni cerca de él. Está específicamente diseñado para usarlo al calentar o cocinar alimentos. El uso de productos químicos corrosivos al calentar o limpiar dañará el electrodoméstico y podría causar lesiones.
- No utilice este electrodoméstico si no funciona correctamente o si ha sido dañado. Comuníquese con un centro de servicio técnico autorizado.
- No repare ni cambie ninguna parte del electrodoméstico, a menos que se recomiende específicamente en este manual. Remita todas las reparaciones a un centro de servicio técnico autorizado por la fábrica.

### Uso previsto

El cajón calentador sirve para mantener la temperatura de los alimentos calientes y cocidos, y para calentar los utensilios de cocina. Nunca use el producto para calentar o calefaccionar una habitación.

**ATTENCION:** esta unidad está aprobada para uso general en cocinas residenciales únicamente. No está aprobada para uso en exteriores.

Almacenamiento: no almacene materiales inflamables ni recipientes de plástico en el cajón.

Abra el cajón con cuidado. Siempre use agarradores para retirar los utensilios de cocina.

Debe tener sumo cuidado al transportar un recipiente con aceite caliente u otros líquidos calientes.

No toque la superficie interior del cajón cuando esté en uso. La temperatura del interior del cajón podría ocasionar quemaduras.



# Instrucciones de seguridad importantes

LEA Y GUARDE ESTAS INSTRUCCIONES

## Seguridad para evitar incendios

No utilice papel de aluminio ni recubrimientos de protección para cubrir alguna parte de un electrodoméstico, especialmente bols recogegotas de la unidad de la superficie o la base del horno. La instalación de estos recubrimientos puede causar un riesgo de descarga eléctrica o incendio.

Si los materiales dentro de un horno o cajón calentador se prenden fuego, mantenga la puerta cerrada. Apague el electrodoméstico y desconecte el circuito en la caja de disyuntores.

Utilice este electrodoméstico sólo para su uso previsto, según se describe en este manual. Por ejemplo, nunca utilice el electrodoméstico para calentar o calefaccionar la habitación. Nunca utilice el electrodoméstico para almacenar objetos.

Siempre tenga un detector de humo en funcionamiento cerca de la cocina.

En el caso de que su ropa o cabello se prendan fuego, arrójese al piso y gire de inmediato para extinguir las llamas.

Sofoque las llamas provocadas por alimentos que se prenden fuego, que no sean incendios ocasionados por grasa, con bicarbonato de sodio. Nunca use agua en incendios ocasionados al cocinar.

## Prevención de quemaduras

Tenga cuidado al abrir el electrodoméstico. De pie a un lado, abra el cajón lenta y ligeramente para dejar escapar el aire caliente y/o vapor. Mantenga la cara lejos de la abertura y asegúrese de que no haya niños ni mascotas cerca de la unidad. Después de liberar el aire caliente y/o vapor, continúe con la cocción. Mantenga las puertas cerradas, a menos que sea necesario a efectos de la cocción o limpieza. No deje las puertas abiertas sin vigilancia.



**AVISO:** para prevenir quemaduras, no retire el cajón mientras está caliente. Asegúrese de que el cajón esté vacío antes de retirarlo.

## Seguridad en los utensilios de cocina

**ATTENCION:** Los recipientes de plástico o las envolturas de plástico pueden derretirse si entran en contacto directo con el cajón o con un utensilio caliente. Si se derrite en el cajón, es posible que no se pueda retirar.

## Seguridad de los alimentos

**ATTENCION:** Para mantener la seguridad de los alimentos, siga las siguientes indicaciones:

- NO use el cajón calentador para calentar alimentos fríos (excepción: el cajón se puede usar de manera segura para tostar galletas, papas fritas o cereales secos y para calentar platos).
- Asegúrese de mantener la temperatura adecuada de los alimentos. El Departamento de Agricultura de los EE. UU. (United States Department of Agriculture, USDA) recomienda mantener los alimentos calientes a una temperatura de 140 °F o más.
- NO calentar alimentos durante más de una hora.

## Seguridad de los niños

Cuando los niños tienen la edad adecuada para utilizar el electrodoméstico, es responsabilidad legal de los padres o tutores legales asegurarse de que reciban las instrucciones sobre prácticas seguras por parte de una persona calificada.

No permita que nadie se suba, pare, incline, siente o cuelgue de cualquier parte de un electrodoméstico, especialmente una puerta, cajón calentador o cajón para almacenamiento. Esto puede dañar el electrodoméstico, y la unidad puede caerse y, posiblemente, causar lesiones graves.



# Instrucciones de seguridad importantes

LEA Y GUARDE ESTAS INSTRUCCIONES

No permita que niños utilicen este electrodoméstico, a menos que sean supervisados de cerca por un adulto. Los niños y las mascotas no deben quedar solos o sin vigilancia en el área donde se utilice el electrodoméstico. Nunca se les debe permitir jugar cerca del electrodoméstico, independientemente de que esté en funcionamiento o no.

**ATENCIÓN:** los objetos de interés para niños no deben almacenarse en un electrodoméstico, en gabinetes sobre un electrodoméstico ni en la placa antisalpaduras. Si los niños se suben a un electrodoméstico para alcanzar estos objetos podrían sufrir lesiones graves.

## Espacio/ambiente de trabajo

Use agarradores secos únicamente. Los agarradores húmedos o mojados sobre las superficies calientes pueden ocasionar quemaduras por vapor. No use toallas ni ningún otro paño grueso en lugar de agarradores.

Use ropa adecuada: nunca debe usar prendas holgadas ni sueltas cuando utilice el electrodoméstico.

## Limpieza

Deje que se enfríe antes de limpiar. Apague el electrodoméstico.

No use un limpiador a vapor para limpiar el cajón, ya que existe riesgo de cortocircuito.

## Seguridad en el servicio técnico y reparaciones

No repare ni cambie ninguna parte del electrodoméstico, a menos que se recomiende específicamente en este manual. Si necesita hacer cualquier otro tipo de reparación, consulte a un técnico calificado.

No utilice ningún electrodoméstico que tenga el cable o el enchufe dañados, o si el electrodoméstico funciona mal o se dañó de algún modo, por ejemplo, si se agrietó la placa de calentamiento. Comuníquese con el servicio técnico.

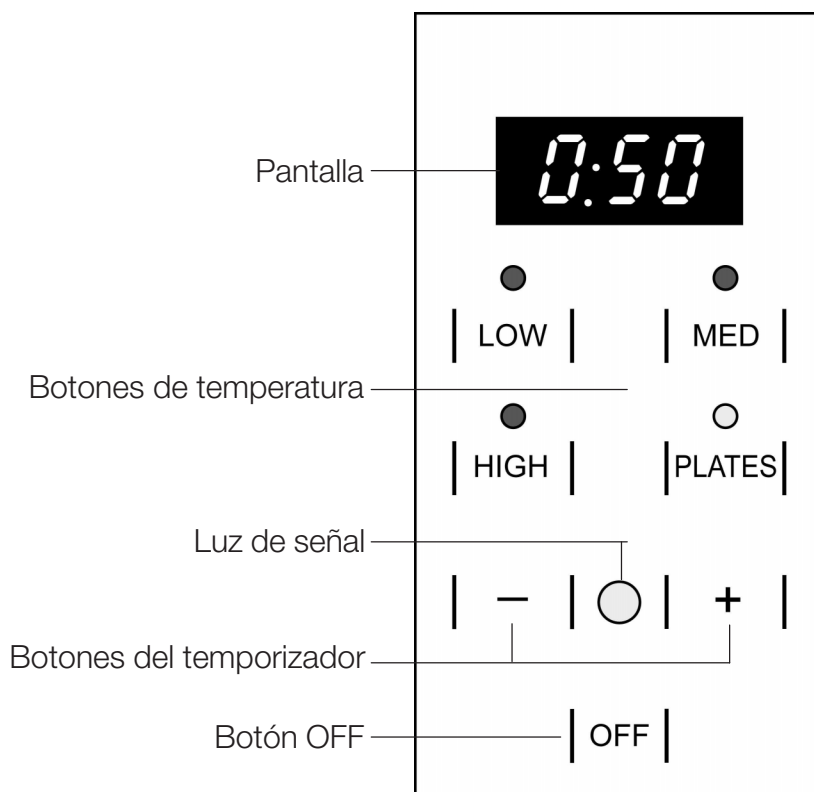
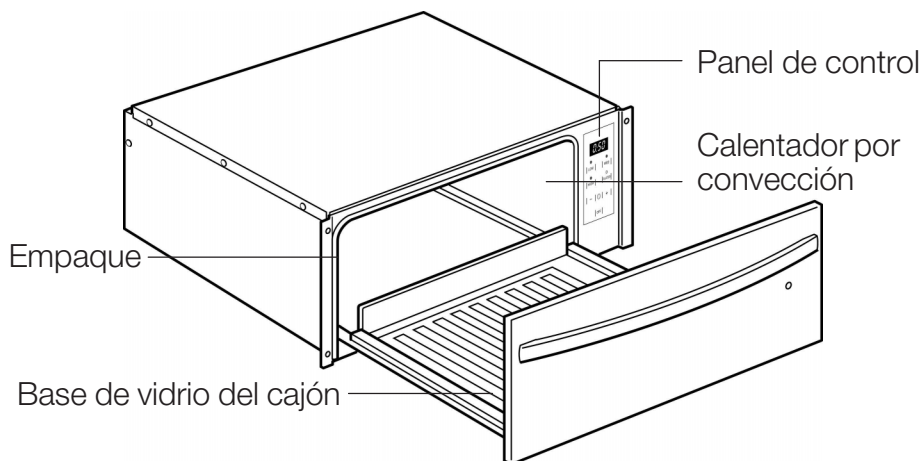
## Extintores de incendio

Use un extinguidor sólo si:

- Sabe que tiene un extinguidor Clase ABC y ya sabe cómo usarlo.
- El incendio es pequeño y se limita al área donde se originó.
- Alguien llamó al departamento de bomberos.
- Si puede combatir el incendio con la espalda en dirección a una salida.

# Cómo comenzar

## Piezas y accesorios incluidos



**Bip**

El panel de control emite un bip para confirmar que ha ingresado información. El temporizador emite cinco bips cuando ha transcurrido el tiempo indicado.

**Indicador de superficie caliente (H)**

El indicador de superficie caliente aparece en la pantalla cuando la base de vidrio del cajón calentador está caliente. No toque el interior del cajón calentador en este momento. La H desaparece cuando el cajón alcanza nuevamente una temperatura segura al tacto.

Si el cajón calentador está abierto cuando se conecta, aparecerá la H. Este es el indicador de "Superficie caliente", incluso cuando el plato de vidrio está frío. Una vez cerrado el cajón, si el vidrio está frío, la H desaparece. La H no desaparece si el plato de vidrio aún está caliente.

**Botón OFF**

Use este botón para apagar el cajón calentador.

**Luz de señal**

Cuando el cajón está en funcionamiento, se enciende la luz de señal. Destella cuando el cajón está abierto e indica cuando el cajón está cerrado.

**Botones de temperatura**

Los botones de temperatura controlan la temperatura de la base del cajón.

**Tabla 1: Opciones de botones de temperatura**

Opción	Temperatura de la superficie de la base del cajón
LOW (Baja)	140 °F
MED (Media)	170 °F
HIGH (Alta)	200 °F
PLATES(Platos)	170 °F + convección

Consulte la tabla "Recomendaciones de temperatura" para conocer los valores recomendados.

**Temporizador**

Puede ajustar el temporizador en incrementos de 5 minutos. El tiempo mínimo es de 5 minutos, y el tiempo máximo es de 5 horas. Cuando el electrodoméstico está en uso, el temporizador detiene automáticamente el conteo cuando se abre el cajón. Comienza nuevamente cuando se cierra el cajón.

Una vez transcurrido el tiempo, el temporizador emite cinco bips, y el cajón se apaga automáticamente.

**Para modificar el temporizador**

Use el botón con el signo + o - para modificar el tiempo.

El electrodoméstico sólo calentará si el cajón está cerrado correctamente. La luz de señal lo indicará.

# Operación

## Acerca del electrodoméstico

El cajón calentador mantiene los alimentos calientes y cocidos a una temperatura adecuada para servir. Siempre comience con alimentos calientes. NO use el cajón para calentar alimentos fríos, salvo para elevar masa con levadura, tostar galletas, papas fritas y cereales secos, o para calentar platos y utensilios de cocina.

### Operación

#### Para calentar utensilios de cocina

NO FORRE EL CAJÓN CON PAPEL DE ALUMINIO

**ATTENCION:** los recipientes de plástico o las envolturas de plástico pueden derretirse si entran en contacto con el cajón o con un utensilio caliente. Si se derrite en el cajón, es posible que no se pueda retirar.

**Advertencia:** el cajón calentador tiene una capacidad máxima de 55 libras. Coloque las fuentes pesadas en la parte posterior del cajón. En la medida de lo posible, distribuya los utensilios de cocina en toda la superficie. Lleva más tiempo calentar pilas altas de platos que utensilios de cocina individuales, por ejemplo, 2 fuentes. Use fuentes resistentes al calor únicamente. No precaliente.

#### Para calentar platos y bols

Coloque los platos o los bols en el cajón calentador frío.

1. Presione el botón PLATES.
2. Si lo desea, programe el temporizador.
3. Controle la temperatura regularmente.

#### Para calentar tazas



**AVISO:** NO use la opción PLATES para calentar tazas. Las tazas se pueden sobrecalentar y ocasionar quemaduras.

1. Presione el botón LOW.  
NO use la opción PLATES para calentar tazas.
2. Si lo desea, programe el temporizador.
3. Controle la temperatura regularmente.

#### Para mantener calientes los alimentos

Para mantener seguros los alimentos, siga las siguientes indicaciones:

- Use papel de aluminio o una tapa resistente al calor para cubrir los alimentos.
- Para evitar los derrames en el cajón, no sobrecargue los utensilios de cocina.

#### **ATTENCION:**

- NO use el cajón calentador para calentar alimentos fríos (excepción: el cajón se puede usar de manera segura para tostar galletas, papas fritas o cereales secos y para calentar platos).

- Asegúrese de mantener la temperatura adecuada de los alimentos. El Departamento de Agricultura de los EE. UU. (United States Department of Agriculture, USDA) recomienda mantener los alimentos calientes a una temperatura de 140 °F o más. Para carne de res, use un termómetro para carne portátil para medir las temperaturas internas.
- No mantener los alimentos calientes durante más de una hora.

**ATTENCION:** no coloque ollas ni bandejas calientes en la base del cajón calentador inmediatamente después de sacarlas del horno o del quemador, ya que esto podría dañar la superficie de vidrio. Pase los alimentos a una fuente resistente al calor antes de ponerlos en el cajón calentador.

Consejo: coloque la fuente en el cajón calentador durante el precalentamiento para calentarla.

### Para precalentar

Precaliente el cajón calentador para calentar alimentos. Para obtener mejores resultados, precaliente el cajón durante el tiempo que se indica a continuación:

LOW: 5 minutos

MED: 10 minutos

HIGH: 15 minutos

PLATES: no es necesario precalentar el cajón para calentar platos.

1. Presione el botón hasta alcanzar el valor de temperatura deseado.
2. Si lo desea, programe el temporizador.
3. Coloque en el cajón los alimentos calientes y cocidos.

Consulte la Guía de cocina en “Cómo aprovechar al máximo su electrodoméstico” para conocer los valores de temperatura recomendados.

### Para modificar la temperatura y el tiempo

Presione el botón de temperatura deseado. Modifique el tiempo si lo desea.

### Apague el cajón calentador

Presione el botón OFF.

### Para elevarmasa

Coloque la masa en un bol grande (el tamaño de la masa se duplicará). Aceite ligeramente la parte superior de la masa y cúbrala con un paño limpio. Coloque el bol en el cajón.

1. Presione el botón LOW.
2. Programe el temporizador en 55 minutos.
3. Precaliente durante 15 minutos.
4. Controle la altura de la masa a los 40 minutos. Si es necesario, aumente la cantidad de tiempo.

### Para tostar alimentos duros

Coloque los alimentos en fuentes o bandejas bajas.

1. Precaliente en LOW.
2. Programe el temporizador en 60 minutos.
3. Precaliente durante 15 minutos, luego coloque la fuente en el cajón.
4. Luego de 45 minutos, controle si están crujientes. Si es necesario, aumente la cantidad de tiempo.

## Función de día de descanso sabático

La función de día de descanso sabático está destinada para las religiones que establecen el requisito de “no trabajar” en el día de descanso sabático.

- El cajón calentador debe ajustarse para que funcione durante 24, 48 ó 74 horas antes de apagarse automáticamente.
- Mientras funciona en modo de día de descanso sabático, la pantalla mostrará SAB.
- Una vez seleccionada la función de día de descanso sabático, no se puede modificar el tiempo.
- Presione OFF en cualquier momento durante el modo de día de descanso sabático para finalizar el modo y apagar el electrodoméstico.

### Para programar la función de día de descanso sabático

1. Presione el botón hasta alcanzar la temperatura deseada.
2. Presione el botón +. El temporizador cuenta hasta 5:00. Presione el botón + hasta que aparezca SAB. Después de tres segundos, aparece 24 h en la pantalla. Se encenderá la luz de señal.
3. Presione el botón + para modificar el tiempo de funcionamiento de las 24 horas a las 48 horas o 74 horas.
4. Después de tres segundos, aparece SAB en la pantalla. Ahora la función de día de descanso sabático está activada.

### Para modificar la temperatura cuando está activada la función de día de descanso sabático:

Presione el botón hasta alcanzar la temperatura deseada.

**Advertencia:** una vez activada la función de día de descanso sabático, no se puede modificar el tiempo.

### Para cancelar la función de día de descanso sabático:

Presione el botón OFF.

---

# Cómo aprovechar al máximo su electrodoméstico

Tabla 2: Recomendaciones de temperatura

Nivel	Alimentos/utensilios de cocina	Nota
LOW	Alimentos delicados congelados p. ej., pasteles de crema, mantequilla, queso, pan	Descongelar



<b>Nivel</b>	<b>Alimentos/utensilios de cocina</b>	<b>Nota</b>
LOW	Carne de res roja	Precalentar los utensilios de cocina, cubrir los alimentos
LOW	Elevar masa con levadura	Cubrir
MED	Para mantener calientes los huevos p. ej., huevos duros, huevos revueltos	Precalentar los utensilios de cocina, cubrir los alimentos
MED	Para mantener caliente el pan p. ej., pan tostado, pan, panecillos, pies	Precalentar los utensilios de cocina, cubrir los alimentos
MED	Alimentos delicados p. ej., carne de res (término medio y bien cocida), jamón, cordero, cerdo	Precalentar los utensilios de cocina, cubrir los alimentos
MED	Cereales cocinados en cacerola	Precalentar los utensilios de cocina, cubrir los alimentos
MED	Pescado, mariscos	Precalentar los utensilios de cocina, cubrir los alimentos
MED	Frutas, verduras, puré de papas	Precalentar los utensilios de cocina, cubrir los alimentos
MED	Gravy, salsa de crema	Precalentar los utensilios de cocina, cubrir los alimentos
HIGH	Para mantener calientes los alimentos p. ej., tocino, alimentos fritos, aves	Precalentar los utensilios de cocina, cubrir los alimentos
HIGH	Para mantener calientes las bebidas. NO mantenga calientes las bebidas en jarritos o tazas individuales.	Precalentar los utensilios de cocina, cubrir los alimentos
HIGH	Para calentar alimentos planos a base de masa, p. ej., pancakes, wraps, tacos, waffles, pizza, papas al horno	Precalentar los utensilios de cocina
HIGH	Para calentar pasteles secos p. ej., pastel tipo crumb cake, muffins	Precalentar los utensilios de cocina, cubrir los alimentos
HIGH	Para derretir chocolate para cocinar o betún de chocolate	Precalentar los utensilios de cocina, cortar los alimentos en trocitos
HIGH	Para disolver gelatina	Abrir, aproximadamente 20 minutos
PLATES	Para precalentar utensilios de cocina	No apto para recipientes para bebidas
LOW	Para precalentar tazas	

# Limpieza y mantenimiento

## Cuidado y limpieza

### Cuidado y limpieza

Apague el electrodoméstico. Deje que se enfríe antes de limpiar. El cloro y los compuestos de cloro son corrosivos para el acero inoxidable. Lea las etiquetas de sus limpiadores. **Siempre enjuague y seque totalmente**, en especial, cuando use un limpiador con cloro.

Tabla 3: Cuadro de cuidado

Pieza	Limpiador	Instrucciones
Interior del cajón (acero inoxidable pulido)	Detergente para vajilla	Lave, enjuague bien y seque. Para eliminar marcas de agua dura o sarro, use vinagre. Aplique con una esponja o paño, enjuague y seque.
Base del interior del cajón (vidrio)	Detergente para vajilla	Lave, enjuague bien y seque.
Estructura exterior del cajón (acero inoxidable cepillado)	<b>Para la limpieza diaria:</b> Limpiadores y abrillantadores suaves como detergentes para vajilla, amoníaco y Stainless Steel Magic®  <b>Para manchas difíciles:</b> Limpiadores ligeramente abrasivos como Soft Scrub® o Bon Ami®	<b>Para la limpieza diaria:</b> Lave, enjuague bien y seque.  <b>Para manchas difíciles:</b> Aplique con una esponja o paño húmedos. <i>Siempre frote en la misma dirección de las líneas del pulido.</i> Limpie con un paño o una esponja húmedos. Seque.

## Mantenimiento

Para un buen funcionamiento, el cajón calentador sólo requiere una limpieza periódica. No requiere otro mantenimiento. Consulte la sección anterior "Cuidado y limpieza" para conocer las instrucciones detalladas.

Para retirar el cajón

No se puede retirar el cajón calentador.

# Servicio técnico

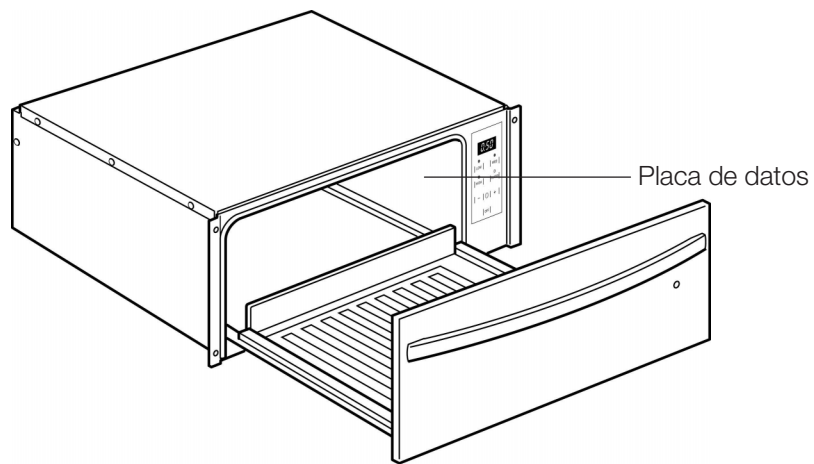
## Información necesaria

Cuando se comunique con el servicio técnico, tenga a la mano el número de serie y el número de modelo de su electrodoméstico.

### Placa de datos del producto

La placa de datos muestra el modelo y el número de serie. Se encuentra a la izquierda del panel de control.

Conserve su factura o los papeles de depósito para la validación de la garantía si necesita solicitar el servicio técnico.



# Garantía

## Garantía total por un año

Cubre un año a partir de la fecha de instalación o de la fecha de ocupación de una vivienda nueva, que no haya estado ocupada previamente. Conserve su recibo fechado o cualquier otro comprobante de la fecha de instalación/ocupación.

### Pagaremos:

Todas las piezas de reparación o repuesto que estén defectuosas debido a los materiales o la mano de obra.

El servicio técnico debe ser brindado por una Agencia de Servicio Técnico Autorizada por la Fábrica durante el horario normal de trabajo. Para conocer cuál es la Agencia de Servicio Técnico más cercana a su domicilio, llame al 800-944-2904.

### No pagaremos:

- El servicio técnico brindado por una agencia no autorizada. Los daños o las reparaciones del servicio técnico brindado por una agencia no autorizada o el uso de piezas no autorizadas.
- Las visitas del servicio técnico para:
  - a) Enseñarle cómo usar el electrodoméstico.
  - b) Corregir los defectos o reparaciones ocasionados por la instalación incorrecta. Usted es responsable de proporcionar el cableado eléctrico y demás instalaciones de conexión.
- Reponer disyuntores o reemplazar fusibles domésticos.
- Los daños ocasionados por accidente, alteración, uso indebido, abuso, instalación incorrecta o instalación no conforme a los códigos de electricidad o plomería locales, o almacenamiento incorrecto del electrodoméstico.
- Los trabajos de servicio técnico durante el período de garantía limitada.
- Los viáticos y cargos asociados en que se incurra cuando el producto esté instalado en un lugar con acceso limitado o restringido (es decir, vuelos en avión, tarifas de ferry, regiones geográficas aisladas).
- Reparaciones requeridas debido a uso distinto del uso doméstico normal.

### Información general

Esta garantía se aplica a los electrodomésticos utilizados en aplicaciones residenciales; no cubre su uso en instalaciones comerciales.

La garantía cubre productos comprados y mantenidos dentro de los 50 estados de los Estados Unidos de América, el Distrito de Columbia y Canadá. Si el comprador original vende el electrodoméstico durante el período de garantía, el nuevo comprador seguirá contando con la protección de la garantía hasta la fecha de vencimiento del período de garantía del comprador original.

Los productos que se usarán en Canadá deben comprarse a través del canal de distribución de Canadá para asegurar el cumplimiento de las reglamentaciones y la cobertura de la garantía.

Esta garantía le otorga derechos legales específicos. También pueden corresponderle otros derechos que pueden variar según el estado.







**Thermador**<sup>®</sup> | *An American Icon*<sup>™</sup>

5551 McFadden Avenue, Huntington Beach, CA 92649 • 1-800-735-4328 • [www.thermador.com](http://www.thermador.com)  
© BSH Home Appliances Corporation 2005

9000 141 641 • T211186



## Free Manuals Download Website

<http://myh66.com>

<http://usermanuals.us>

<http://www.somanuals.com>

<http://www.4manuals.cc>

<http://www.manual-lib.com>

<http://www.404manual.com>

<http://www.luxmanual.com>

<http://aubethermostatmanual.com>

Golf course search by state

<http://golfingnear.com>

Email search by domain

<http://emailbydomain.com>

Auto manuals search

<http://auto.somanuals.com>

TV manuals search

<http://tv.somanuals.com>