

INSTALLATION INSTRUCTIONS

For Thermador Professional® All Gas Ranges

Models
PG304
PG36
PG48

Thermador®

Please Read Entire Instructions Before Proceeding

IMPORTANT: Save these instructions for the Local Gas Inspector's use.

INSTALLER: Please leave these Installation Instructions with this unit for the owner.

OWNER: Please retain these instructions for future reference.



WARNING

Disconnect power before installing. Before turning power **ON**, be sure that all controls are in the **OFF** position.

IMPORTANT

Local codes vary. Installation, gas connections and grounding must comply with all applicable codes.

For Massachusetts Installations:

1. Installation must be performed by a qualified or licensed contractor, plumber or gas fitter qualified or licensed by the state, province or region where this appliance is being installed.
2. Shut-off valve must be a "T" handle gas cock.
3. Flexible gas connector must not be longer than 36 inches.



WARNING:

If the information in this manual is not followed exactly, a fire or explosion may result causing property damage, personal injury or death.

— Do not store or use gasoline or other flammable vapors and liquids in the vicinity of this or any other appliance.

— WHAT TO DO IF YOU SMELL GAS

- Do not try to light any appliance.
- Do not touch any electrical switch.
- Do not use any phone in your building.
- Immediately call your gas supplier from a neighbor's phone. Follow the gas supplier's instructions.
- If you cannot reach your gas supplier, call the fire department.

— Installation and service must be performed by a qualified installer, service agency or the gas supplier.



WARNING



- All Ranges can tip
- Injury to Persons could result



- Install Anti-Tip Device
- See Installation Instructions

TO REDUCE THE RISK OF TIPPING OF THE APPLIANCE, IT MUST BE SECURED BY A PROPERLY INSTALLED ANTI-TIP DEVICE. VERIFY THAT THE ANTI-TIP DEVICE IS ENGAGED PER INSTALLATION INSTRUCTIONS. (NOTE: ANTI-TIP DEVICE IS REQUIRED ON ALL 30" AND 36" RANGES)

Note: This Range is **NOT** designed for installation in manufactured (mobile) homes or for installation in Recreational Park Trailers.

Do Not install this range outdoors.



Model PG304



Model PG364GL
Low Back Model LB36R



Model PG484GGE
Low Back Model LB48R

Contents

Introduction	1
Important Installation Information	2
Step 1: Ventilation Requirements	3
Step 2: Cabinet Preparation	4 – 8
Step 3: Unpacking, Moving and Placing the Range	9 – 10
Step 4: Installing Anti-Tip Device	11 – 12
Step 5: Gas Requirements and Hookup ..	13
Step 6: Electrical Requirements, Connection and Grounding	14
Step 7: Backguard Installation	15
Step 8: Door Installation	16
Step 9: Test and Adjustment	17
Installer Checklist	18

Important Installation Information

INTRODUCTION

The Thermador Professional® Ranges are free standing units available in a number of configurations.

Model PG304 is equipped with four sealed gas surface burners and a 30-inch gas convection self-cleaning oven with broil capability. Models PG364GE, PG364GL, and PG366 feature a gas cooking surface with four sealed gas surface burners with either an electric griddle or gas grill or six sealed gas surface burners plus a 36-inch gas convection, self-cleaning oven with broil capability. Models PG484GGE, PG486GE, and PG486GL feature a gas cooking surface with four sealed burners, electric griddle and gas grill, six sealed burners and an electric griddle, or six sealed burners and a gas grill. PG48 Ranges provide a large gas, self-cleaning oven (the same as used in the PG36 Ranges) and a small gas oven with broil capability.

GAS type verification

Verify the type of gas supplied to the location. Ensure that the appliance is connected to the type of gas for which it is certified. All ranges are certified for use with natural gas or propane (LP) gas. Make certain the range matches the gas type available.

Important

- A backguard must be utilized when there is less than a 12" horizontal clearance between combustible materials and the back edge of the range. The Thermador Low Back backguard must be ordered separately and installed at the rear of the range. For island installations and other installations with more than 12" clearance, an optional stainless steel Island Trim is available to cover the backguard mounting flanges.
- Verify that the appliance is correct for the type of gas being provided. Refer to Step 5 on Page 13 before proceeding with the installation.

Gas Supply:

Natural Gas – 6 inch water column. (14.9 mb) min.,
8 inch (20 mb) nominal

Propane Gas – 11 inch water column. (27.4 mb),
14 inch (34.9 mb) maximum

Electric Power Supply:

30" Model:

PG304 - 120 VAC, 60 Hz., 1Ph., 15 Amp circuit.

36" Models:

PG366 – 120 VAC, 60 Hz., 1Ph., 15 Amp circuit.

PG364GL – 120 VAC, 60 Hz., 1Ph., 15 Amp circuit.

PG364GE (with electric griddle) – 120 VAC, 60 Hz., 1Ph.,
20 Amp circuit.

CAUTION

When connecting the unit to propane gas, make certain the propane gas tank is equipped with its own high-pressure regulator in addition to the pressure regulator supplied with the range. **The maximum gas pressure to this appliance must not exceed 14.0 inches water column (34.9 mb) from the propane gas tank to the pressure regulator.**

CAUTION

This unit is designed as a cooking appliance. Based on safety considerations, never use it for warming or heating a room.

This appliance has been tested in accordance with ANSI Z21.1, Standard for Household Cooking Appliances (USA) and in accordance with CAN 1.1-M81 Domestic Gas Ranges (Canadian).

It is strongly recommended that this appliance be installed in conjunction with a suitable overhead vent hood. (See Step 1 for Ventilation Requirements.) Due to the high heat capability of this unit, particular attention should be paid to the hood and duct work installation to assure it meets local building codes.

CAUTION

To eliminate risk of burns or fire caused by reaching over heated surface units, cabinet storage located above the surface units should be avoided.

Check local building codes for the proper method of appliance installation. Local codes vary. Installation, electrical connections and grounding must comply with all applicable codes. In the absence of local codes the appliance should be installed in accordance with the National Fuel Gas Code ANSI Z223.1/FNPA 54 current issue and National Electrical Code ANSI/NFPA 70-current issue. In Canada, installation must be in accordance with the CAN 1-B149.1 and .2 – Installation Codes for Gas Burning Appliances and/or local codes.

This appliance is equipped with an intermittent/interrupted ignition device that cycles the two far left surface burners on and off when in the ExtraLow® setting.

Step 1: Ventilation Requirements

It is strongly recommended that a suitable exhaust hood be installed above the range. Downdraft ventilation should not be used. The table below indicates the Thermador hoods, by model number, that are recommended for use with all ranges.

1. Select Hood and Blower Models:

- For wall installations, the hood width must, at a minimum, equal the width of the range cooking surface. Where space permits, a hood larger in width than the cooking surface may be desirable for improved ventilation performance.
- For island installations, the hood width should, at a minimum, overhang the range cooking surface by 6" on each side.

IMPORTANT:

Ventilation hoods and blowers are designed for use with single wall ducting. However, some local building codes or inspectors may require double wall ducting. Consult local building codes and/or local agencies, before starting, to assure that hood and duct installation will meet local requirements.

- Hood blower speeds should be variable to reduce noise and loss of heated or air conditioned household air when maximum ventilation is not required. Normally, the maximum blower speed is only required when using the grill.

2. Hood Placement:

- For best smoke elimination, the lower edge of the hood should be installed a minimum of 30" to a maximum of 36" above the range cooking surface. (See Fig. 1).
- If the hood contains any combustible materials (i.e. a wood covering), it must be a minimum of 36" above the cooking surface.

3. Consider Make-Up Air:

- Due to the high volume of ventilation air, a source of outside replacement air is recommended. This is particularly important for tightly sealed and insulated homes.
- A qualified heating and ventilating contractor should be consulted.

RANGE WIDTH	WALL INSTALLATION		ISLAND INSTALLATION	
	HOOD*	BLOWER**	HOOD	BLOWER
30" RANGE	PH30ZS PH30HQS PHE30,36	VTR1000Q, VTR1400Q OR VTN 1000Q	HTNI42YS HNI42YS PHI48ZS	VTR1000Q, VTR1400Q
36" RANGE	PH36ZS, 42ZS PHE36,42 HNW36YS HNW42 YS	VTR1000Q, VTR1400Q or VTN 1000Q VTR1000Q, VTR1400Q VTR1000Q, VTR1400Q	HTNI42YS HNI42YS PHI48ZS	VTR1000Q VTR1400Q
48" RANGE	PH48ZS PH48HQS PHE48,60	VTR1000Q VTR1400Q or VTN 1000Q	HTNI48YS HNI48YS HTNI54YS HNI54YS PHI60ZS	VTR1400Q

Notes: * For wall installations where adequate space is available, the installer or user may elect to use a hood that is wider than the range cooking surface. This may be particularly beneficial for those cases, such as a long duct run or heavy usage of the grill, in which improved capturing of the cooking exhaust is desired.

** Thermador offers a choice of remote (VTR1000Q or VTR1400Q) or in-hood (VTN1000Q) blowers for use in wall installations.

Step 2: Cabinet Preparation

1. The range is a free standing unit. If the unit is to be placed adjacent to cabinets, the clearances shown in Fig. 1 are required. The same clearances apply to island installations, except for the overhead cabinets, which must have a space wide enough to accept the flared island hood, as indicated in Fig. 1.
2. The 36" ranges may be recessed into the cabinets beyond the edge of the front face of the oven (See Figures 2A and 2B). The 30" and 48" ranges are not approved to be installed flush with the cabinets.
3. The gas and electrical supply should be within the zones shown in Fig. 3A.
4. Any openings in the wall behind the range and in the floor under the range must be sealed.
5. When there is less than a 12" horizontal clearance between combustible material Δ and the back edge of the range above the cooking surface, a Thermador Low Back or High Shelf backguard must be installed. (See Fig. 2A). When clearance to combustible material Δ is over 12", a Thermador Island Trim may be used. (See Fig. 2B). Figures 2A and 2B indicate the space required for each type of backguard.
6. Always keep appliance area clear and free from combustible materials, gasoline and other flammable vapors and liquids.
7. Do not obstruct the flow of combustion and ventilation air to the unit.



Caution

In these installations, the door and cabinet on 36-inch models can cause a pinching hazard.

Note: The maximum depth of over head cabinets installed on either side of the hood is 13".

A 36-inch minimum clearance is required between the top of the range and the bottom of an unprotected cabinet. A 30-inch minimum distance is necessary when the bottom of the wood or metal cabinet is protected by not less than 1/4 inch of a flame retardant material covered with not less than No. 28 MSG sheet steel, 0.015 inch (0.4 mm) thick stainless steel, 0.024 inch (0.6 mm) aluminum, or 0.020 inch (0.5 mm) thick copper. Flame retardant materials bear the mark:

**UNDERWRITERS LABORATORIES INC.
CLASSIFIED MINERAL AND FIBER BOARDS
SURFACE BURNING CHARACTERISTICS**

Followed by the flame spread and smoke ratings. These designations are shown as "FHC (Flame Spread/Smoke Developed)." Materials with "O" flame spread ratings are flame retardant. Local codes may allow other flame spread ratings.

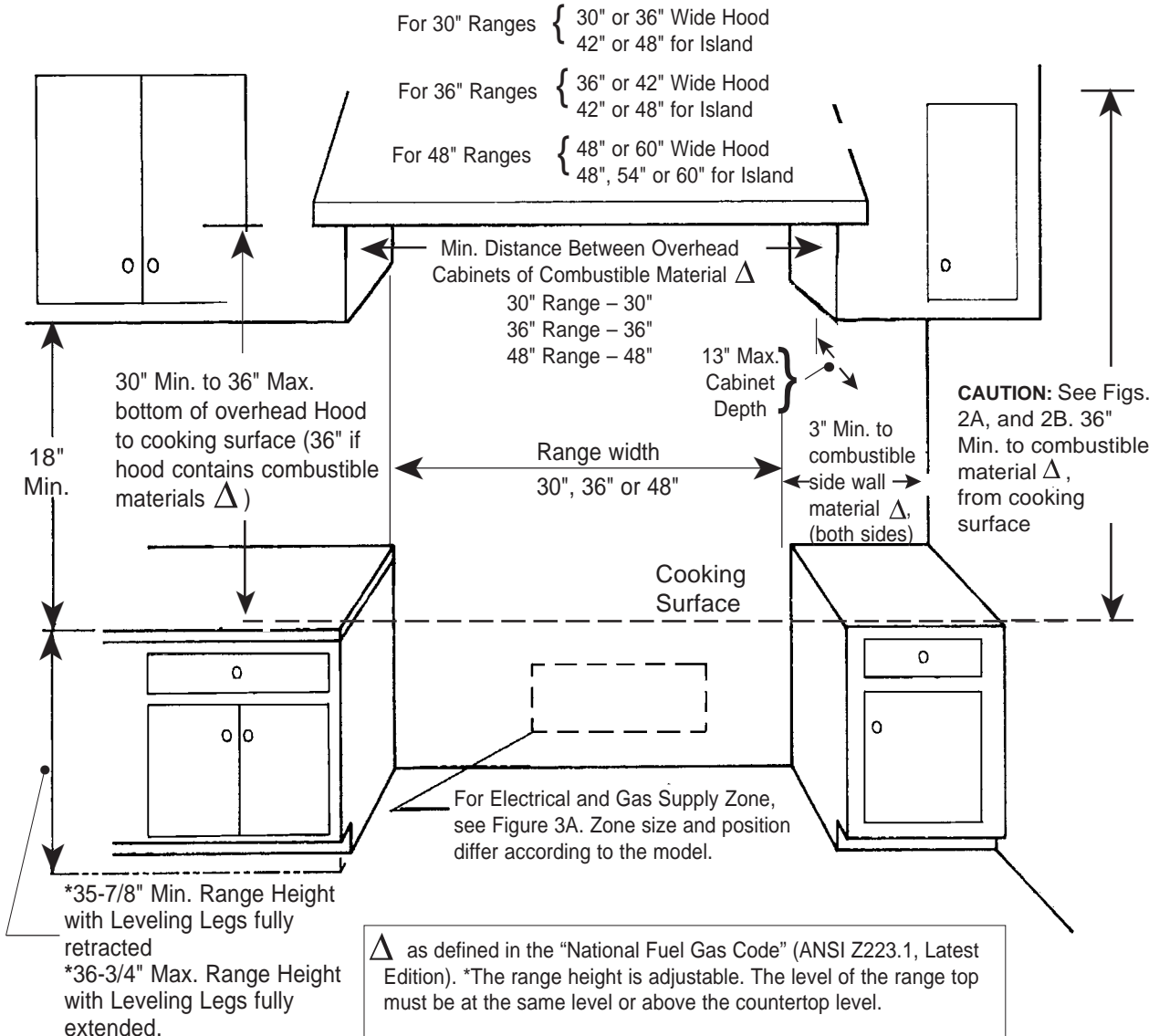
Step 2: Cabinet Preparation

⚠ CAUTION:

Do not install the Models PG304 and PG48 ranges such that the oven door is flush with the cabinet face. A flush installation could result in damage to the cabinets due to exposure to high heat.

△ As defined in the "National Fuel Gas Code" (ANSI Z223.1, Latest Edition).

FIG. 1 Cabinet Clearances



Step 2: Cabinet Preparation

FIG. 2A - Side View

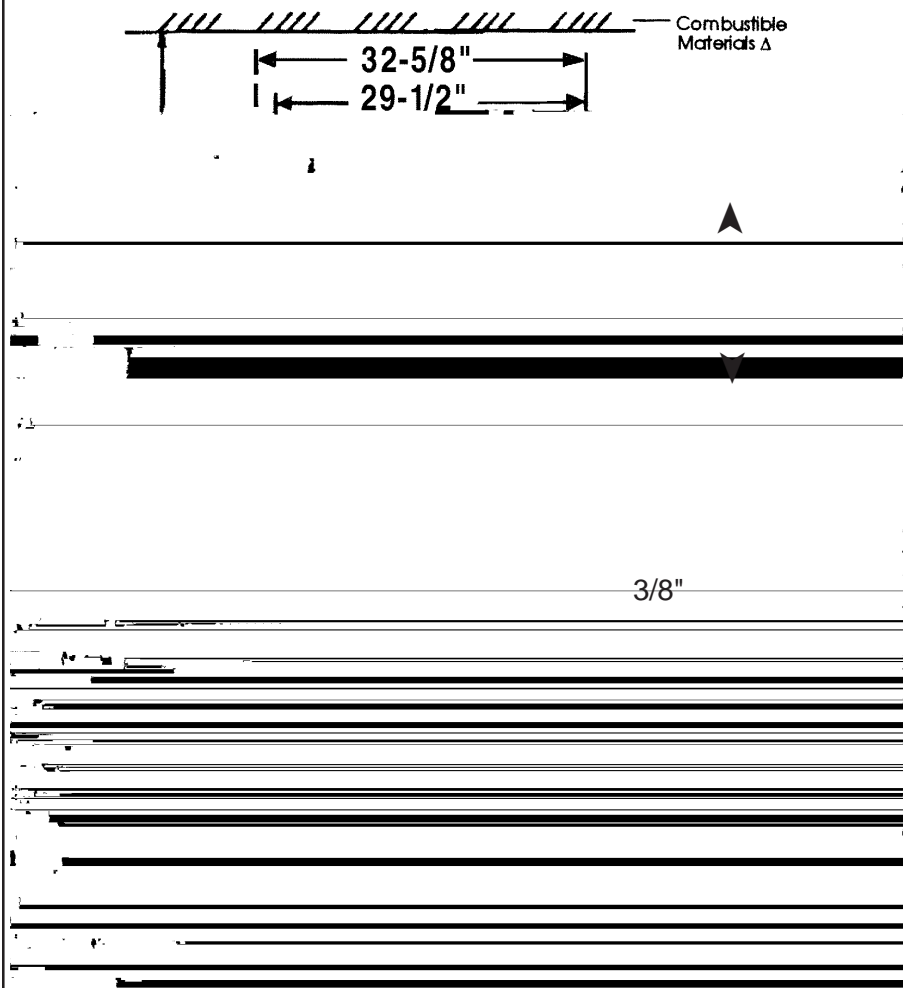
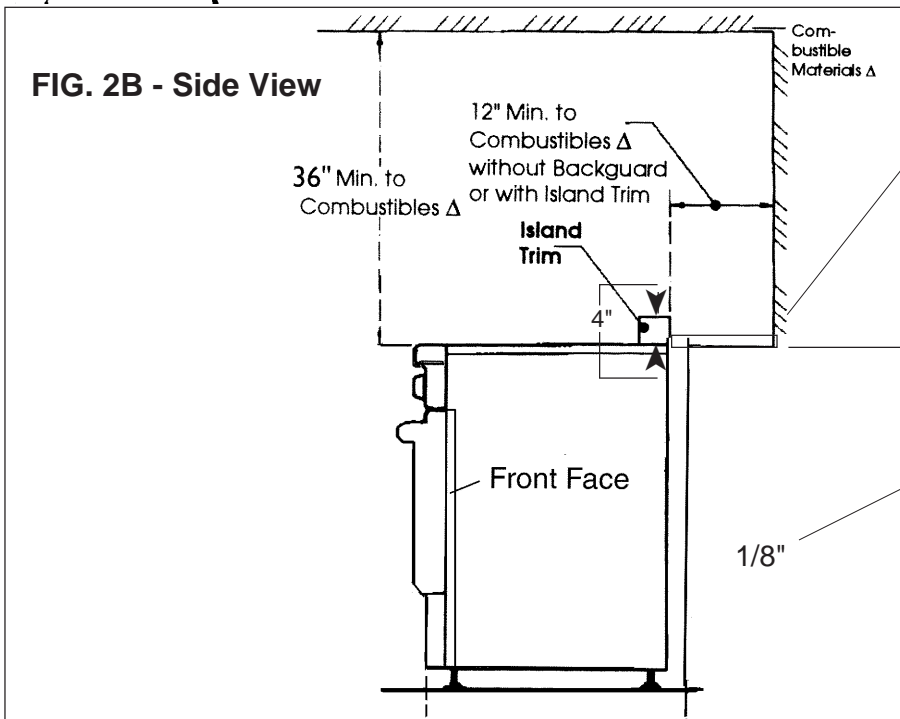


FIG. 2B - Side View



Note:

For Island trim installations, counter surface should have a cantilever edge meeting the back section of the island trim accessory.

Cantilever Countertop

Note:

If an inner wall is used under the cantilever counter top, there should be a 1/8" gap from the rear of the range to the inner wall.

Step 2: Cabinet Preparation

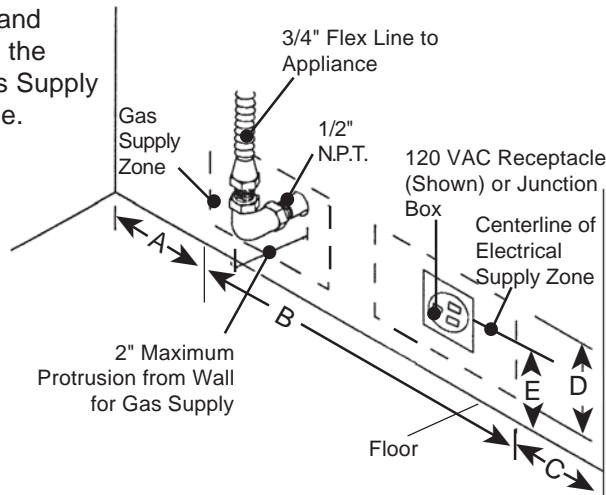
GAS AND ELECTRIC SUPPLY ZONES:

FIG. 3A Gas & Electrical Supply Zones for All Gas Ranges

Typical placement shown. Other placement of Electrical Supply and Receptacle within the Electrical and Gas Supply Zone is acceptable.

NOTE:

A Manual Gas Shut-Off Valve (not shown) must be easily accessible through an adjacent cabinet without moving the range.



Model	A	B	C	D	E
PG30	8"	12"	10"	6-1/2"	5-1/4"
PG36	10-1/2"	15"	10-1/2"	6-1/2"	5-1/4"
PG48	16-1/2"	16"	15-1/2"	6-1/2"	5-1/4"

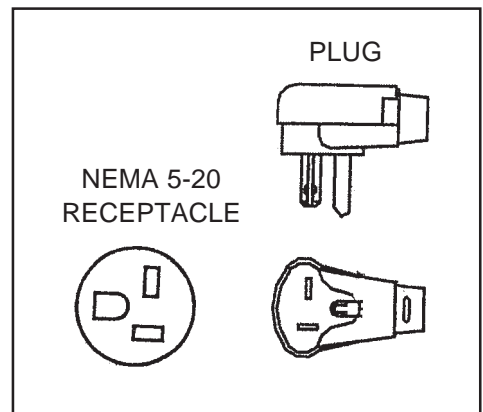
NOTE: Any opening in the wall behind the appliance and any opening in the floor under the appliance must be sealed.

The All Gas ranges may be connected to the power supply with a range supply cord (supplied with range) or by hard-wiring to the power supply. It is the responsibility of the installer to provide the proper wiring components (cord or conduit and wires) and complete the gas connection as dictated by local codes and ordinances, and/or the National Electric Code. The units must be properly grounded. Refer to Step 6 for details.

The range must be connected only to the type of gas for which it is certified. If the range is to be connected to propane gas, ensure that the propane gas supply tank is equipped with its own high pressure regulator in addition to the pressure regulator supplied with the range. (See STEP 5.)

IMPORTANT:

The cord supplied with gas ranges having electric griddle (PG364GE, PG486GE, and PG484GGE) requires a NEMA 5-20 receptacle, shown here. Local codes may require a different wiring method.

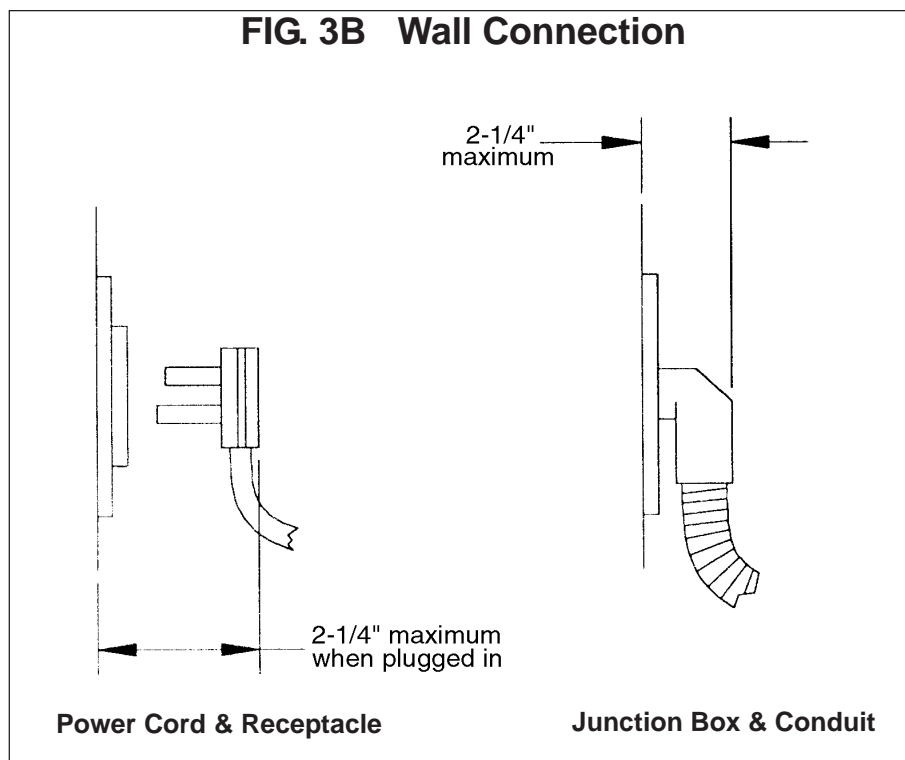


Step 2: Cabinet Preparation

ELECTRICAL SUPPLY, ALL GAS RANGES

Installation of All Gas ranges must be planned so that the rough-in of the junction box for the receptacle or conduit connection will allow maximum clearance to the rear of the unit.

To minimize binding when the unit is connected to the receptacle or junction box, orient the receptacle or conduit connector, and slide back into position.



IMPORTANT

For all gas range models with electric griddle (PG364GE, PG486GE, and PG484GGE), dedicated 20 Amp service is required for proper operation.

Step 3: Unpacking, Moving and Placing the Range

Caution

Proper equipment and adequate manpower must be used in moving the range to avoid injury, and to avoid damage to the unit or the floor. The unit is heavy and should be handled accordingly.

Chart A	30" Range	36" Range	48" Range
Shipping Weight	335 lbs.	444 lbs.	584 lbs.
Weight without packing materials	285 lbs.	390 lbs.	524 lbs.
Without door(s), burner caps, front kick panel and oven racks	215 lbs.	295 lbs.	395 lbs.

- The range has an approximate shipping weight as shown in Chart A. It is recommended that the grates, griddle plate and frame, burner caps, front kick panel and oven racks be removed to facilitate handling. This will reduce the weight as shown in Chart A and allow the range to pass through 30" doorways. See Figs. 2A and 2B on Page 6. **Do not remove the grill or griddle assemblies.**
- Remove the outer carton and packing material from the shipping base. The all gas ranges are held to the skid by four (4) bolts (see Fig. 4 and 5). After removing the bolts the range must be lifted and removed from the skid.
- Remove angle-mounting brackets from range. This requires the installer to remove two screws holding each bracket then remove bracket and reinstall screws.

FIG. 4 – Removal of Two Front Shipping Bolts

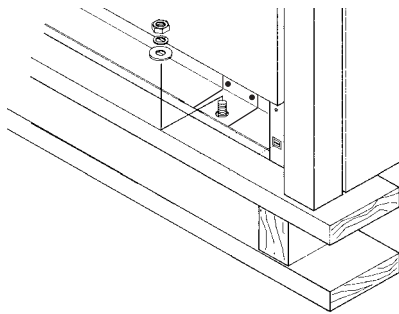
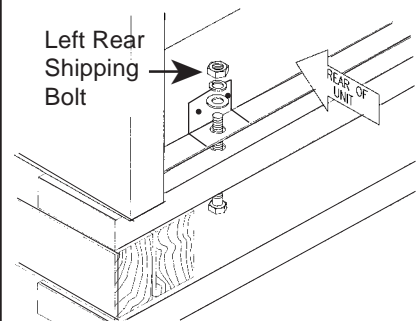
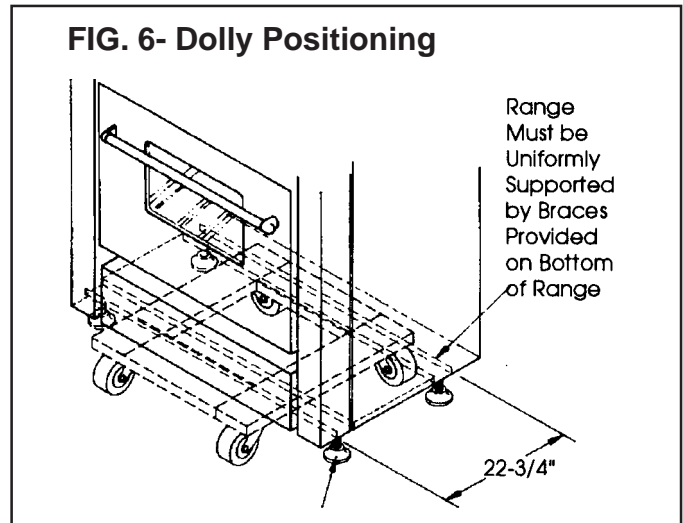


FIG. 5 – Removal of Two Rear Shipping Bolts



Step 3: Unpacking, Moving and Placing the Range

- Due to the weight, a dolly with soft wheels should be used to move this unit. The weight must be supported uniformly across the bottom (See Fig. 6).
- After transporting the professional range by dolly close to its final location, the range can be tipped back and supported on the rear legs while the dolly is carefully removed. **THE FLOOR UNDER THE LEGS SHOULD BE PROTECTED (WOOD STRIPS, CARPET, PANELING, ETC.) BEFORE PUSHING THE UNIT INTO POSITION.** The anti-tip device must be installed (STEP 4), gas and electrical connections should be made (STEPS 5 and 6), and the backguard installed (STEP 7) before the range is placed in its final position.
- For proper performance, the professional **range must be level.** (It is very important for all products that have the griddle feature.) The range is leveled by adjusting the legs with a wrench.
- Replace the kick panel and install the oven door. **To install door, see Page 16. Do not install the oven door until the range is in its final location. It is important that the two (2) screws retaining the kick panel are secure to prevent accidental access to hot surfaces.**
- **Ensure that the burner caps are correctly seated on the burner bases of the range's cooktop.**



Griddle Tilt Adjustment

Check the griddle frame adjustment by pouring two tablespoons of water on the back of the griddle plate. The water should slowly roll into the grease tray. If not, adjust the two screws under the back of the griddle frame. Start with one half turn CCW of the screws. Further adjustment should be made by one-quarter turn until water slowly flows into the grease tray.

Step 4: Installing Anti-Tip Device

For all 30" and 36" ranges, an anti-tip device must be installed as per these instructions.



WARNING **RANGE TIPPING HAZARD**

- All ranges can tip and injury can result. To prevent accidental tipping of the range, attach it to the floor, wall or cabinet by installing the Anti-Tip Device supplied.
- A risk of tip-over may exist if the appliance is not installed in accordance with these instructions.
- If the range is pulled away from the wall for cleaning, service or any other reason, ensure that the Anti-Tip Device is properly reengaged when the range is pushed back against the wall. In the event of abnormal usage (such as a person standing, sitting, or leaning on an open door), failure to take this precaution can result in tipping of the range. Personal injury might result from spilled hot liquids or from the range itself.



WARNING

- ALL RANGES CAN TIP
- INJURY TO PERSONS COULD RESULT
- INSTALL ANTI-TIP DEVICES PACKED WITH RANGE
- SEE INSTALLATION INSTRUCTIONS



WARNING **ELECTRICAL SHOCK HAZARD**

- Use extreme caution when drilling holes into the wall or floor. There may be concealed electrical wires located behind the wall or under the floor.
- Identify the electrical circuits that could be affected by the installation of the Anti-Tip Device, then turn off power to these circuits.
- Failure to follow these instructions may result in electrical shock or other personal injury.

CAUTION

PROPERTY DAMAGE

- Contact a qualified installer or contractor to determine the proper method for drilling holes through the wall or floor material (such as ceramic tile, hardwood, etc.)
- Do not slide the range across an unprotected floor.
- Failure to follow these instructions may result in damage to wall or floor coverings.

Tools Needed for Installation of Anti-Tip Device:

- Screwdriver, Phillips
- Drill, electric or hand
- Measuring tape or ruler
- 1/8" drill bit (wood or metal wall or floor)
- 3/16" carbide-tipped masonry drill bit (concrete or concrete block wall or floor)
- 3/16" anchors, drywall or concrete, 2 each (not required if mounting bracket is being attached to solid wood or metal)
- Hammer
- Pencil or other marker

Step 4: Installing Anti-Tip Device

PG30 and PG36 All Gas Ranges (Figures 8A and 8B)

Thermador Service Part No.	Qty	Description
415078	4	Screw, Phillips, #10 x 1-1/2"
487310	1	Anti-Tip Bracket, Floor-Mounted

IMPORTANT INSTALLATION INFORMATION:

- The anti-tip bracket may be attached to a solid wood cabinet having a minimum wall thickness of 3/4".
- The thickness of the wall or floor may require use of longer screws, available at your local hardware store.
- In all cases, at least two (2) of the bracket mounting screws must be fastened to solid wood or metal.
- Use appropriate anchors when fastening the mounting bracket to any material other than hardwood or metal.
- Prepare holes at fastener locations as identified below:
 - For walls, wall studs, or floors composed of solid wood or metal, drill 1/8" pilot holes.
 - For walls or floors composed of drywall, sheet-rock or other soft materials, drill 3/16" holes to a minimum depth of 1-3/4", then tap plastic anchors into each of the holes using a hammer.
 - For walls or floors composed of concrete or concrete block, drill 3/16" holes to a minimum depth of 1-3/4", then tap concrete anchors into each of the holes using a hammer.
 - For walls or floors having ceramic tile covering, drill 3/16" holes through the tile only, then drill into the material behind the tile as indicated immediately above.
- If the range is moved to a new location, the Anti-Tip Device must be removed and reinstalled.

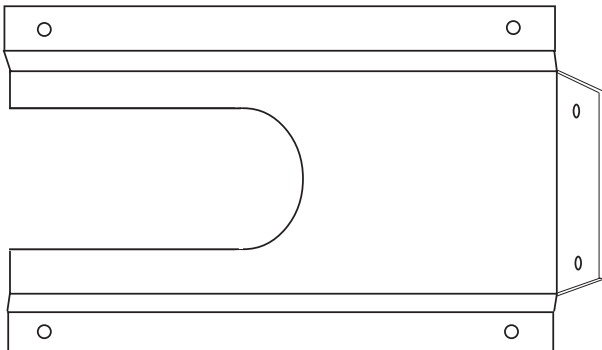
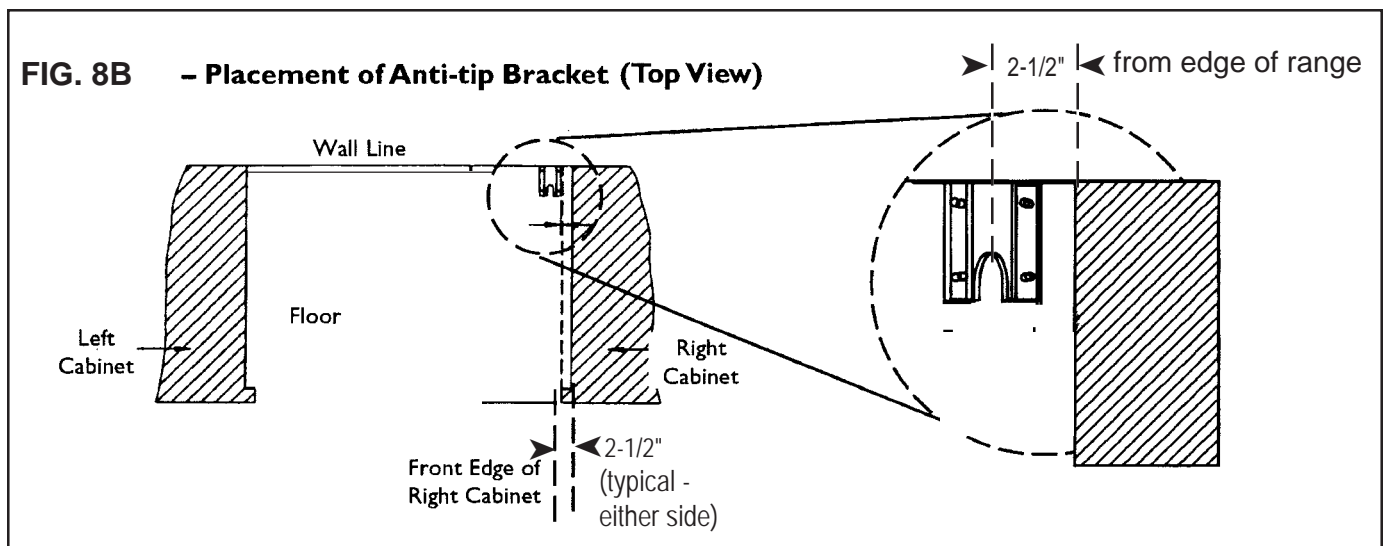


FIG. 8A - Mounting Anti-tip Bracket

MOUNTING ANTI-TIP BRACKET

The alternative floor mounted bracket shall be installed as follows:

- Place bracket on floor in position shown in Figure 8B.
- Secure to floor or wall stud.
- Later, when the unit is installed, the adjustable leg will slide under the bracket.



Step 5: Gas Requirements and Hookup

Verify the type of gas being used at the installation site. As shipped from the factory, units are configured for use with natural gas or propane (LP) gas. Make certain the range matches the type of gas available at this location.

For installation of the appliance at high altitude, please consult your local gas company for their recommendation of the correct orifice sizes and any other necessary adjustments that will provide proper gas combustion at specified altitudes.

CAUTION

When connecting unit to propane gas, make certain the propane gas tank is equipped with its own high pressure regulator in addition to the pressure regulator supplied with the appliance. The pressure of the gas supplied to the appliance regulator must not exceed 14" (34.9 mb) water column.

Natural Gas Requirements:

Inlet Connection: 3/4" N.P.T. external
1/2" N.P.T. internal
(Minimum 3/4" dia. flex line.)
Supply Pressure: 6" to 14" water column.
(14.9 to 34.9 mb)
Manifold Pressure: 5" water column (12.5 mb)

Propane Gas Requirements:

Inlet Connection: 3/4" N.P.T. external
1/2" N.P.T. internal
(Minimum 3/4" dia. flex line.)
Supply Pressure: 11" to 14" water column.
(27.4 mb to 34.9 mb)
Manifold Pressure: 10" water column (24.9 mb)

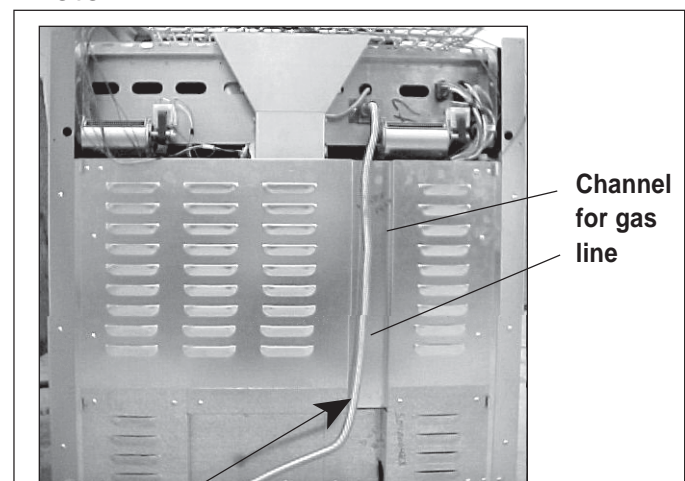
Warning

Gas line must not come in contact with any components inside back cover of range. Run gas line in channel in back of range.

HOOK UP

- A manual gas shut-off valve must be installed external to the appliance, in a location accessible from the front, for the purpose of shutting off the gas supply. The supply line must not interfere with the back of the unit. Make sure the gas supply is turned off at the manual shut-off valve before connecting the appliance.
- The range is supplied with its own pressure regulator that has been permanently mounted within the range body.
- Use 3/4" flex line to connect between the gas supply and the appliance manifold pipe, which exits the upper rear of the appliance. The appliance manifold pipe connection is 3/4" NPT. (See Photo A.) Use caution to avoid crimping the 3/4" flex line when making bends.
- The gas supply connections should be made by a competent technician and in accordance with local codes or ordinances. In the absence of a local code, the installation must conform to the National Fuel Gas Code ANSI Z223.1/NFPA54-current issue.
- Always use pipe dope or Teflon® tape on the pipe threads, and be careful not to apply excessive pressure when tightening the fittings.
- Leak testing of the appliance shall be in accordance with the following instructions.
 - Turn on gas and check supply line connections for leaks using a soap and water solution.
 - Bubbles forming indicate a gas leak. Repair all leaks immediately after finding them.
 - **Do not use a flame of any kind to check for gas leaks.**

Photo A



Use 3/4" flex line to connect between the gas supply and the appliance manifold pipe, which exits the upper left rear of the appliance.

Step 6: Electrical Requirements, Connection & Grounding

- Prior to servicing appliance, always disconnect appliance electrical supply cord from wall receptacle.

Chart B: Electrical Supply Circuit Requirements				
MODEL NUMBER	VOLTAGE	CIRCUIT RATING	FREQUENCY	PHASE
PG304	120 VAC	15 Amps	60 Hz.	Single
PG366	120 VAC	15 Amps	60 Hz.	Single
PG364GL	120 VAC	15 Amps	60 Hz.	Single
PG364GE	120 VAC	20 Amps	60 Hz.	Single
PG486GL	120 VAC	15 Amps	60 Hz.	Single
PG486GE	120 VAC	20 Amps	60 Hz.	Single
PG484GGE	120 VAC	20 Amps	60 Hz.	Single

- For the PG All Gas Ranges, a neutral supply wire must be provided from the power source (breaker/fuse panel) because critical range components, including the surface burner spark re-ignition modules, require 120 VAC to operate safely and properly. An improper 120 VAC power supply will cause malfunction, damage to this appliance, and possibly create a condition of shock hazard. If the correct power supply circuit is not provided, it is the responsibility and obligation of the installer and user to have proper power supply connected. This must be accomplished in accordance with all applicable local codes and ordinances by a qualified electrician. In the absence of local codes and ordinances, the power supply connection shall be in accordance with the National Electrical Code.
 - Observe all governing codes and ordinances when grounding. In the absence of these codes or ordinances observe National Electrical Code ANSI/NFPA No. 70 current issue.
 - Electric wiring diagrams and schematics have been placed in the toe kick area of the range for access by a qualified service technician.

IMPORTANT

For all gas range models with electric griddle (PG364GE, PG486GE, and PG484GGE), dedicated 20 AMP service is required for proper operation.

CAUTION

The appliance must be isolated from the gas supply piping system by closing its individual manual shut-off valve during any pressure testing of the gas supply piping system at test pressures equal to or less than 1/2 psig (3.5kPa.).

The appliance and its individual shut off valve must be disconnected from the gas supply piping system during any pressure testing of the system at test pressures in excess of 1/2 psig (3.5kPa.).

When checking the manifold gas pressure, the inlet pressure to the regulator should be at least 6.0" (14.9 mb) W.C. for natural gas or 11.0" (27.4 mb) for propane.

Do not attempt any adjustment of the pressure regulator.

Step 7: Backguard Installation

The backguard must be attached before sliding the range into the final installed position. A Low Back or High Shelf backguard must be installed when there is less than a 12" clearance between combustibles and the back of the range above the cooking surface. (See Fig. 2A and 2B on Page 6).

An Island Trim is available for covering the backguard mounting flanges for island installations, where there is a minimum of 12" of horizontal clearance between combustibles and the back of the range. (See Fig. 2B on Page 6).

The backguard is inserted, as shown in Fig. 14, into the guide channels on the back of the range. Secure the backguard with the (4) sheet metal screws provided.

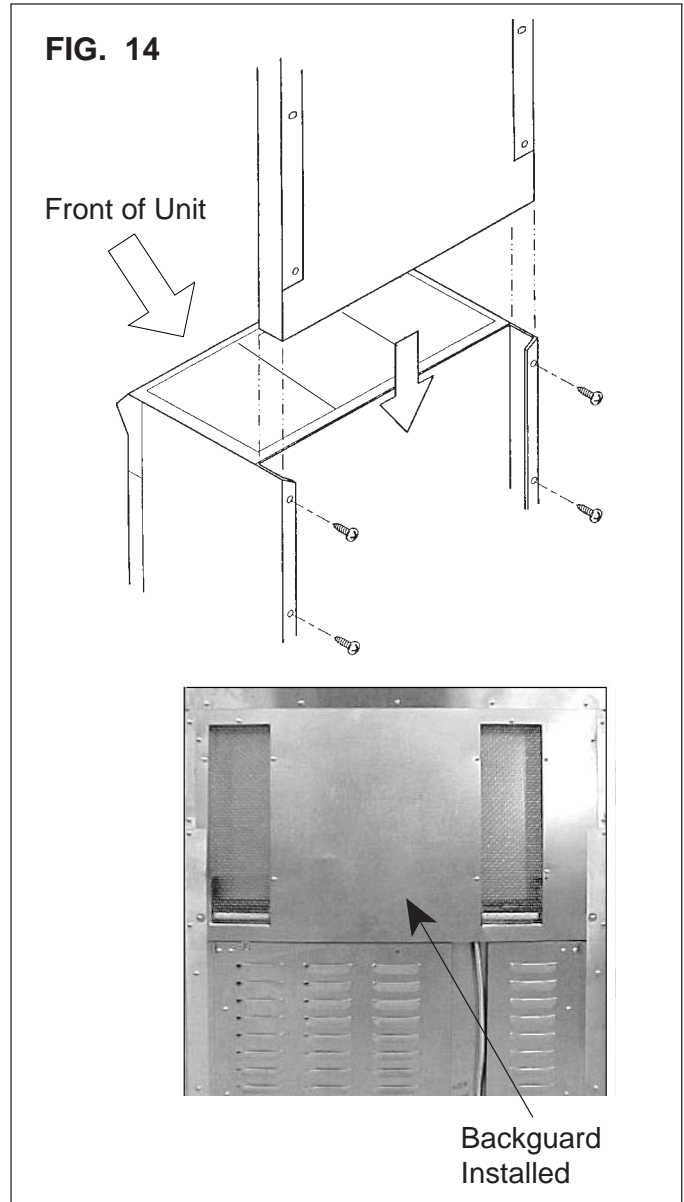


Chart C: Backguard Kit Model Numbers				
Range Model No.	9" Std. Low Back	12" Low Back	22" High Shelf	3-3/4" Island Trim
PG304	Included with Range	N/A	HS30R	IT30R
PG36	N/A	LB36R	HS36R	IT36R
PG48	N/A	LB48R	HS48R	IT48R

Step 8: Door Installation

CAUTION

The door is heavy and requires two people to handle it properly.

1. Insert the door hinge into the hinge pocket in the front frame. When the door is properly installed, the bottom edge will be parallel to the front of the range and the hinge will click into position and support the weight of the door.
2. Tip the door parallel to the floor to free the hinge locking pin.
3. Carefully remove the pins. The door is now free to close. Install the hold down bracket. Do not tighten screw. Retain pins for future door removal.
4. Adjust the door height so the latch lock lever and spacer gauge enters the slot in the door liner as the door is closing and the top of the door should be parallel to the bottom of the control panel. Tighten down screw on hold down bracket.
5. Oven door hinges seated and hold down bracket is located in proper locked position. Now the door opens and closes properly.
6. **The toe kick panel should be mounted last to prevent damage by the door.**



Photo B. Insert the door hinge into the hinge pocket in the front frame.

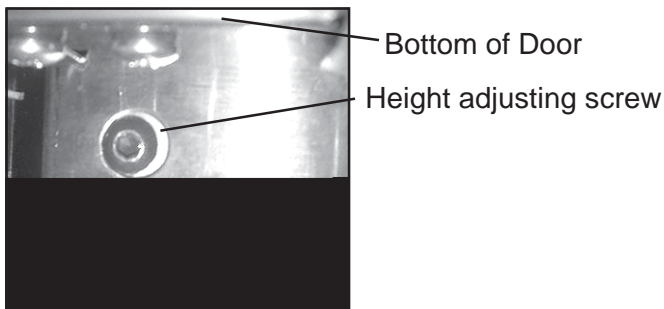


Photo D

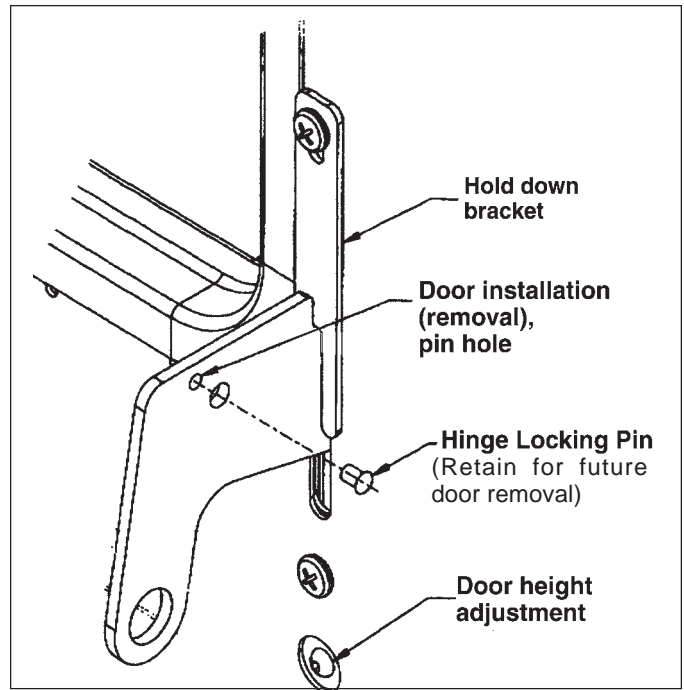


FIG. 15

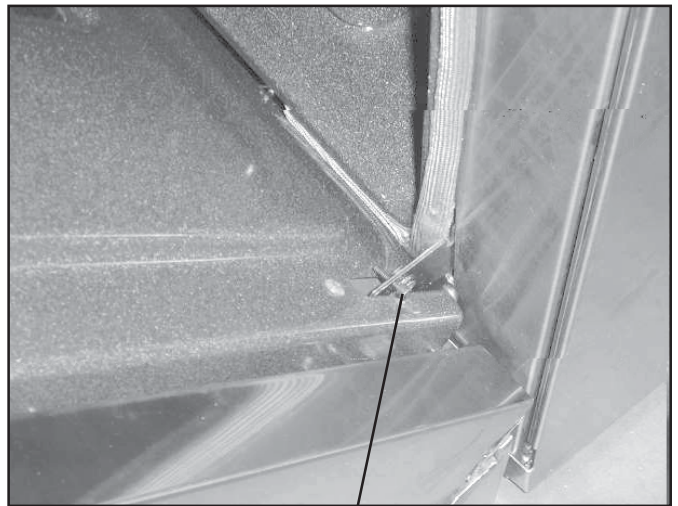


Photo C Hinge Locking Pin

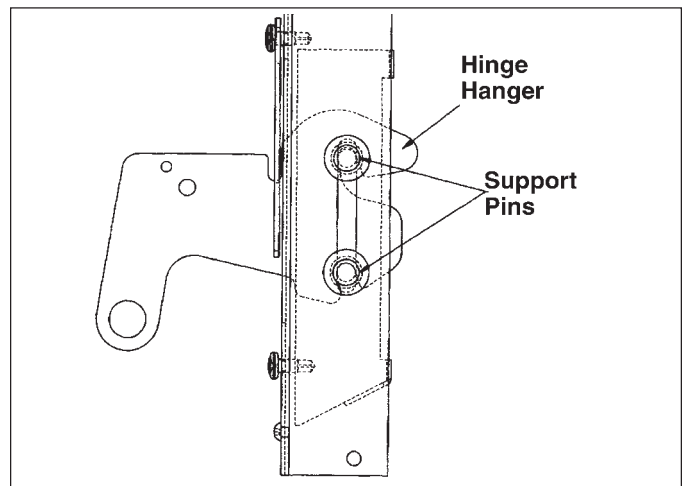


FIG. 16

Step 9: Test and Adjustment

Install any loose components, such as burner caps and grates, that may have been removed earlier. Be certain that burner caps seat properly into the alignment slots in the burner bases. Before testing operation of the appliance, verify that the unit and the gas supply have been carefully checked for leaks and that the unit has been connected to the electrical power supply. Turn the manual gas shut-off valve to the open position. Check operation of the sealed gas burners and grill by pushing and turning each knob counterclockwise to "HI". The burner igniters will click until the flame ignites. The two far left sealed burners feature XLO®, causing the flame to cycle on and off when the knob is set to the XLO range. This is normal operation.

CAUTION

Burner adjustments must be made by a qualified technician at the time of installation. Extreme care should be used when adjustments are made after installation. Improper or lack of adjustments may cause harmful by-products or void your warranty.

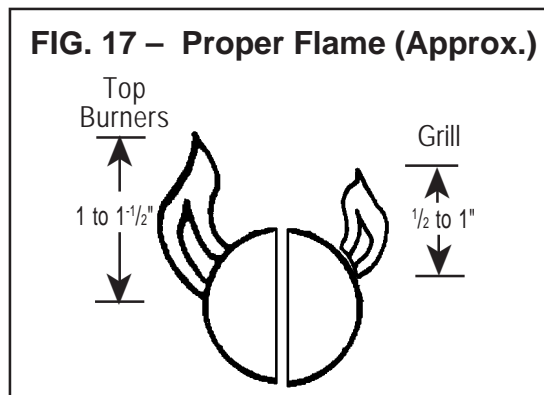
EACH GAS BURNER MUST BE EVALUATED FOR CORRECT FLAME PERFORMANCE IMMEDIATELY AFTER INSTALLATION OF THIS APPLIANCE. In PG Range models, the air shutter for grill burner (NOT top burners) is preadjusted at the factory. However, environmental or installation

conditions may require readjustments. Flame evaluation is performed with burner's control knob at highest setting.

Burner flames should be blue and stable with no yellow tips, excessive noise, or lifting of the flame from the burner. If any of these conditions exist, check that the air shutter (grill only) or burner ports are not blocked or clogged. Remove any blockages that exist. If the flame is too yellow, indicating insufficient air, increase the shutter opening to increase air inlet (grill only).

The sealed top burner flames should be approximately 1" to 1½" high. The grill flames should be as shown in Fig. 17.

NOTE: No air shutter or low flame adjustment is necessary or possible with the sealed top burners.



To Clean and protect Exterior Surfaces

The stainless steel surfaces may be cleaned by wiping with a damp soapy cloth, rinsing with clear water and drying with a soft cloth to avoid water marks. Any mild glass cleaner will remove fingerprints and smears.

For discolorations or deposits that persist, refer to the Care and Use Manual.

To polish and protect the stainless steel, use a cleaner/polish such as Stainless Steel Magic®.

DO NOT allow deposits to remain for long periods of time.

DO NOT use ordinary steel wool or steel brushes. Small bits of steel may adhere to the surface causing rust.

DO NOT allow salt solutions, disinfectants, bleaches or cleaning compounds to remain in contact with stainless steel for extended periods. Many of these compounds contain chemicals which could prove harmful. Rinse with water after exposure and wipe dry with a clean cloth.

INSTALLER CHECKLIST

FINAL CHECK LIST

- Placement of unit.
- Specified clearances maintained to cabinet surfaces.
- Unit Level – front to back – side to side.
- Burner caps positioned properly on sealed burner bases.
- All packaging material removed.
- Island trim or backguard attached (if horizontal clearance to combustible materials behind cooking surface is less than 12").
- Check door adjustment and hold down brackets.
- Kick panel in place and two (2) screws secure.
- The griddle plate and frame is correctly positioned, tilted slightly forward. (See page 10 for adjustment procedure.)

GAS SUPPLY

- Connection: 3/4" N.P.T. with a minimum 3/4" diameter flex line.
- The appliance is connected only to the type of gas for which it is certified for use.
- Manual gas shut off valve installed in an accessible location (without requiring removal of range).
- Unit tested and free of gas leaks.
- Gas supply pressure does not exceed 14" W.C. (34.9 mb).

ELECTRICAL

- Receptacle with correct over-current protection is provided for service cord connection.
- Proper ground connection.
- Proper polarity at receptacle.
- A NEMA 5-20, 120 VAC receptacle is used for gas range models with electric griddle (PG364GE, PG486GE, and PG484GGE), with 20 AMP over-current protection.

OPERATION

- All internal packing materials removed. Check below grates and grill pans and within oven(s).
- If used on propane gas, verify that the propane gas supply is equipped with its own high pressure regulator in addition to the pressure regulator supplied with the appliance.

- Burner caps properly seated into burner bases.
- Grill components properly seated (not all models). Refer to Use & Care Manual for Grill details.
- Bezels centered on burner knobs, and knobs turn freely.
- Each burner lights satisfactorily, both individually and with other burners operating.
- Air Shutter adjustment for proper flame made for Grill. See Step 9 and Fig.17.
- Griddle is tilted slightly forward and does not rock (not all models).
- Oven door hinges seated and hinge locks in proper position. Door opens and closes properly.
- Burner grates correctly positioned, level, and do not rock.

INSTRUCTIONS D'INSTALLATION

Pour toutes cuisinières à gaz Thermador Professional®

Modèles
PG304
PG36
PG48

Thermador®

Veillez lire toutes les instructions avant de poursuivre

Important : Conservez ces instructions pour l'inspecteur local de la compagnie de gaz.

Installateur : Veuillez laisser ces instructions d'installation avec l'appareil pour le propriétaire.

Propriétaire : Veuillez conserver ces instructions pour consultation ultérieure.

AVERTISSEMENT

Coupez l'électricité avec d'installer l'appareil. Avant de remettre l'électricité, assurez-vous que toutes les commandes sont sur la position OFF.

IMPORTANT

Les réglementations locales varient. L'installation, les raccordements au gaz et les mises à la terre doivent être conformes à toutes les réglementations applicables.

Pour les installations au Massachusetts :

1. L'installation doit être réalisée par un entrepreneur qualifié ou agréé, un plombier ou un installateur de gaz qualifié ou autorisé par l'État ou la région dans laquelle cet appareil est installé.
2. Le robinet d'arrêt de gaz doit être pourvu d'une poignée en « T ».
3. La longueur maximum autorisée du tuyau de gaz est de 91,4 centimètres (36").

AVERTISSEMENT :

L'information fournie dans le présent manuel doit être très rigoureusement respectée, sous peine d'incendie ou d'explosion entraînant des dommages, des blessures ou la mort.

— Ne stockez pas et n'utilisez pas d'essence ou autres produits inflammables à proximité des appareils.

— S'IL VOUS DÉTECTEZ UNE ODEUR DE GAZ

- N'allumez aucun appareil.
- Ne touchez pas aux interrupteurs électriques.
- N'utilisez pas les téléphones du bâtiment.
- Appelez immédiatement votre compagnie de gaz de chez un voisin. Suivez les instructions de la compagnie.
- Si vous n'arrivez pas à contacter votre compagnie de gaz, appelez les pompiers.

— L'installation et les réparations doivent être réalisées par un installateur qualifié, un centre de réparation agréé ou la compagnie de gaz.

AVERTISSEMENT



■ Toutes les cuisinières peuvent basculer

■ Des personnes peuvent être blessées



■ Installez un dispositif antibascule
■ Consultez les instructions d'installation

AFIN DE DIMINUER LES RISQUES DE BASCULEMENT, INSTALLEZ UN DISPOSITIF ANTIBASCULE. ASSUREZ-VOUS QUE LE DISPOSITIF ANTIBASCULE EST BIEN EN PLACÉ, CONFORMÉMENT AUX INSTRUCTIONS D'INSTALLATION (REMARQUE : LE DISPOSITIF ANTIBASCULE EST OBLIGATOIRE POUR TOUTES LES CUISINIÈRES DE 76,2 CM [30"] ET DE 91,4 CM [36"]).

Remarque : Cette cuisinière N'EST PAS conçue pour les maisons mobiles ni pour les véhicules récréatifs.

NE PAS installer cette gamme dehors.



Modèle 304



Modèle PG364GL
Modèle LB36R à plaque de
protection basse



Modèle PG484GGE
Modèle LB48R à plaque de
protection basse

Table des matières

Introduction	21
Information importante concernant l'installation	22
Chapitre 1 : Exigences pour la ventilation	23
Chapitre 2 : Préparation de l'emplacement	24 – 28
Chapitre 3 : Déballage, manutention et mise en place de la cuisinière	29 – 30
Chapitre 4 : Installation du dispositif antibascule..	31 – 32
Chapitre 5 : Exigences pour l'alimentation de gaz et raccordement	33
Chapitre 6 : Exigences pour l'alimentation électrique, le branchement et la mise à la terre	34
Chapitre 7 : Installation de la plaque de protection	35
Chapitre 8 : Installation de la porte	36
Chapitre 9 : Test et réglage	37
Liste de vérification de l'installateur	38

Informations importantes à propos de l'installation

INTRODUCTION

Les cuisinières Thermador Professional® sont des appareils monoblocs disponibles en plusieurs configurations.

Le modèle PG304 est équipé d'une table de cuisson de quatre brûleurs à gaz hermétiquement encastrés et d'un four à gaz à convection autonome nettoyant de 76,2 cm (30") avec élément de grillage. La table de cuisson des modèles PG364GE, PG364GL et PG366 comporte quatre brûleurs à gaz hermétiquement encastrés avec soit une plaque de cuisson, soit un gril ou encore six brûleurs à gaz hermétiquement encastrés plus un four à gaz à convection autonome nettoyant de 91,4 cm (36") avec élément de grillage. La table de cuisson des modèles PG484GGE, PG486GE et PG486GL est équipée de quatre brûleurs à gaz hermétiquement encastrés, d'une plaque de cuisson et d'un gril, de six brûleurs hermétiquement encastrés et d'une plaque de cuisson ou de six brûleurs et d'un gril. Les cuisinières PG48 sont équipées d'un grand four à gaz autonome nettoyant (le même que celui des cuisinières PG36) et d'un petit four à gaz avec élément de grillage.

VÉRIFICATION DU TYPE DE GAZ

Vérifiez le type d'alimentation au gaz fourni du lieu d'installation. L'appareil doit être raccordé au type de gaz pour lequel il est certifié. Toutes les cuisinières sont certifiées pour une utilisation avec du gaz naturel ou du gaz propane. Assurez-vous que la cuisinière correspond au type de gaz disponible.

IMPORTANT

- On doit mettre en place une plaque de protection lorsque l'espace horizontal entre les matériaux combustibles et le bord arrière de la cuisinière est de moins de 30,5 cm (12"). On doit commander séparément la plaque de protection basse Thermador et on doit l'installer à l'arrière de la cuisinière. Pour les installations en îlot et autres installations avec un espace de plus de 30,5 cm (12"), un enjoliveur en acier inoxydable est vendu en option afin de recouvrir les brides de montage de la plaque de protection.
- Assurez-vous que l'appareil convient au type de gaz fourni. Consultez le Chapitre 5 de la page 33 avant de procéder à l'installation.

Alimentation en gaz :

Gaz naturel : 14,9 mb/min. (6 pouces à la colonne d'eau), 20 mb (8 pouces) nominal.
Gaz propane : 27,4 mb (11 pouces à la colonne d'eau), 34,9 mb (14 pouces) max.

Alimentation électrique :

Modèles de 76,2 cm (30")

PG304 : 120 VCA, 60 Hz, monophasé, circuit de 15 A.

Modèles de 91,4 cm (36")

PG366 : 120 VCA, 60 Hz, monophasé, circuit de 15 A.

PG364GL : 120 VCA, 60 Hz, monophasé, circuit de 15 A.

PG364GE (avec plaque de cuisson) : 120 VCA, 60 Hz, monophasé, circuit de 20.

Modèles de 121,9 cm (48")

PG486GL : 120 VCA, 60 Hz, monophasé, circuit de 15 A.

PG486GE (avec plaque de cuisson) : 120 VCA, 60 Hz, monophasé, circuit de 20 A.

PG484GGE (avec plaque de cuisson) : 120 VCA, 60 Hz, monophasé, circuit de 20 A.

MISE EN GARDE

Si l'appareil est alimenté au gaz propane, assurez-vous que le réservoir de propane est équipé de son propre détendeur en sus du détendeur fourni avec la cuisinière. **La pression maximum d'arrivée du gaz de cet appareil ne doit pas dépasser les 34,9 millibars (14 pouces à la colonne d'eau) entre le réservoir de propane et le détendeur.**

MISE EN GARDE

Cet appareil est conçu pour un usage culinaire. Pour des raisons de sécurité, ne l'utilisez jamais pour chauffer une pièce.

Cet appareil a été testé conformément à la norme américaine ANSI Z21.1 pour les appareils électroménagers de cuisson au gaz et à la norme canadienne CAN 1.1-M81 sur les cuisinières à gaz domestiques.

On recommande fortement d'installer une hotte de ventilation adaptée au-dessus de cet appareil (voir Chapitre 1, Conditions de ventilation). Comme cet appareil peut dégager une forte chaleur, on doit porter une attention particulière aux travaux d'installations des conduits et de la hotte, lesquels doivent être conformes à la réglementation locale de construction.

MISE EN GARDE

Afin d'éliminer les risques de brûlures ou d'incendie provoqués par la chaleur, il est conseillé d'éviter d'installer des armoires au-dessus des tables de cuisson des appareils.

Vérifiez la réglementation locale applicable pour connaître la bonne méthode d'installation de l'appareil. Les réglementations locales varient. L'installation, le branchement électrique et la mise à la terre doivent respecter toutes les réglementations applicables. À défaut de réglementation, l'appareil doit être installé conformément aux normes américaines en vigueur sur le gaz combustible ANSI Z223.1/NFPA54 et l'électricité ANSI/NFPA70. Au Canada, l'installation doit être conforme aux normes canadiennes CAN 1-B149.1 et .2 du Code du bâtiment pour l'installation d'appareils fonctionnant au gaz et/ou le code de construction local.

Cet appareil est équipé d'un système d'allumage intermittent qui allume et éteint les deux brûleurs de gauche lorsqu'ils sont réglés sur ExtraLow®.

Chapitre 1 : Exigences pour la ventilation

Il est fortement recommandé d'installer une hotte de ventilation appropriée au-dessus de la cuisinière. Une ventilation par contre-tirage ne devrait pas être utilisée. Le tableau ci-dessous énumère, par numéro de modèle, les hottes Thermador que l'on conseille d'utiliser avec les cuisinières.

1. Choix du modèle de hotte et de ventilateur

- Pour les installations murales, la largeur de la hotte doit être au moins égale à celle de la table de cuisson de la cuisinière. Si l'espace le permet, il est souhaitable d'installer une hotte plus large que la table de cuisson pour améliorer les performances de ventilation.
- Pour les installations en îlot, la largeur de la hotte devrait dépasser d'au moins 15,2 cm (6") des deux côtés de la table de cuisson de la cuisinière.

IMPORTANT

Les hottes de ventilation et les ventilateurs sont conçus pour une seule conduite murale. Certaines réglementations municipales du bâtiment exigent toutefois une double conduite. Consultez les normes applicables et/ou la municipalité avant de débiter les travaux pour vous assurer que l'installation des conduites répond aux exigences locales.

- La vitesse du ventilateur de la hotte doit être réglable afin de réduire le bruit et la perte d'air chaud ou d'air climatisé lorsque la vitesse de ventilation maximale n'est pas nécessaire. Normalement, la vitesse de ventilation maximale n'est requise que lorsque l'on utilise le grill.

2. Emplacement de la hotte

- Pour une meilleure élimination des fumées, le bord inférieur de la hotte doit être placé à une distance minimale de 76,2 cm (30") et maximale de 91,4 cm (36") au-dessus de la table de cuisson (voir Figure 1).
- Si la hotte contient des matériaux combustibles (comme par exemple un placage en bois), elle doit être placée à au moins 91,4 cm (36") au-dessus de la table de cuisson.

3. Apport d'air

- Un important volume d'air étant nécessaire pour la ventilation, il est recommandé de prévoir un apport d'air de l'extérieur. Cet aspect revêt une importance particulière dans les logements bien isolés et très étanches.
- Il est conseillé de consulter un entrepreneur en chauffage et en climatisation.

LARGEUR DE LA CUISINIÈRE	INSTALLATION MURALE		INSTALLATION EN ÎLOT	
	HOTTE*	VENTILATEUR**	HOTTE	VENTILATEUR**
CUISINIÈRE DE 76,2 CM (30po)	PH30ZS PH30HQS PHE30,36	VTR1000Q, VTR1400Q ou VTN 1000Q	HTNI42YS HNI42YS PHI48ZS	VTR1000Q, VTR1400Q
CUISINIÈRE DE 91,4 CM (36po)	PH36ZS, 42ZS PHE36,42 HNW36YS HNW42 YS	VTR1000Q, VTR1400Q ou VTN 1000Q VTR1000Q, VTR1400Q VTR1000Q, VTR1400Q	HTNI42YS HNI42YS PHI48ZS	VTR1000Q VTR1400Q
CUISINIÈRE DE 121,9 CM (48po)	PH48ZS PH48HQS PHE48,60	VTR1000Q VTR1400Q ou VTN 1000Q	HTNI48YS HNI48YS HTNI54YS HNI54YS PHI60ZS	VTR1400Q

Remarques : * Pour les installations murales, si l'espace est suffisant, l'installateur ou l'utilisateur peut choisir une hotte plus large que la table de cuisson de la cuisinière. Elle améliorera l'évacuation des fumées si l'on utilise par exemple beaucoup le grill ou si la conduite est longue.

** Pour les installations murales, Thermador propose des modèles de ventilateurs à distance (VTR1000Q ou VTR1400Q) ou incorporés à la hotte (VTN1000Q).

Chapitre 2 : Préparation de l'emplacement

1. La cuisinière est un appareil monobloc. Si elle est placée au milieu des armoires, les dégagements requis sont indiqués à la Figure 1. Les mêmes dégagements s'appliquent aux installations en îlot, excepté pour les armoires suspendues qui doivent laisser un espace suffisamment grand pour poser la hotte d'îlot évasée, comme le montre la Figure 1.
2. Les cuisinières de 91,4 cm (36") peuvent être encastrées entre les armoires au-delà du bord de la partie frontale du four (voir Figures 2A et 2B). Les cuisinières de 76,2 cm (30") et de 121,9 cm (48") ne sont pas homologuées pour être installées à ras des armoires.
3. Les arrivées d'électricité et de gaz doivent se trouver dans les zones indiquées à la Figure 3A.
4. Toute ouverture dans le mur qui se trouve derrière la cuisinière et dans le plancher sous la cuisinière doit être refermée.
5. Si la distance entre un matériau combustible Δ et le bord arrière de la cuisinière au-dessus de la table de cuisson est de moins de 30,5 cm (12"), il est obligatoire d'installer une plaque Thermador de protection arrière, basse ou à étagère supérieure (voir Figure 2A). Si la distance du matériau combustible Δ est supérieure à 30,5 cm (12"), il est possible d'utiliser un enjoliveur Thermador pour îlot (voir Figure 2B). Les Figures 2A et 2B indiquent l'espace nécessaire pour chaque type de plaque de protection.
6. L'appareil ne doit jamais se trouver à proximité de matériaux combustibles, d'essence et d'autres produits inflammables (vapeurs ou liquides).
7. L'air de combustion et de ventilation arrivant à l'appareil doit pouvoir circuler librement dans les conduites.



MISE EN GARDE

Dans ce type d'installation pour les cuisinières de 91,4 cm (36"), la porte et l'armoire peuvent comporter un risque de pincement.

REMARQUE : La profondeur maximum des armoires en hauteur installées d'un côté ou de l'autre de la hotte est de 33 cm (13").

Un dégagement minimum de 91,4 cm (36") est nécessaire entre le dessus de la cuisinière et le dessous d'une armoire non protégée. Si le dessous de l'armoire en bois ou en métal est protégé par un matériau ignifuge d'au moins 6,35 mm (1/4") revêtu d'une feuille d'acier n° 28 MSG d'au moins la même épaisseur, de 0,38 mm (0.015") d'acier inoxydable, de 0,6 mm (0.024") d'aluminium ou de 0,5 mm (0.02") de cuivre, la distance minimum est de 76,2 cm (30"). Les matériaux ignifuges portent la marque :

**UNDERWRITERS LABORATORIES INC.
CLASSIFIED MINERAL AND FIBER BOARDS
SURFACE BURNING CHARACTERISTICS,**
(panneaux de fibres et minéraux classés, caractéristiques d'inflammation des surfaces), suivie des taux de progression des flammes et des fumées. Ces désignations sont indiquées par « FHC » (Flame Spread/Smoke Developed – Progression des flammes/Production de fumée). Les matériaux ayant un taux « O » de progression de flammes sont ignifuges. La réglementation municipale peut autoriser un taux de progression des flammes différent.

Chapitre 2 : Préparation de l'emplacement

⚠ MISE EN GARDE

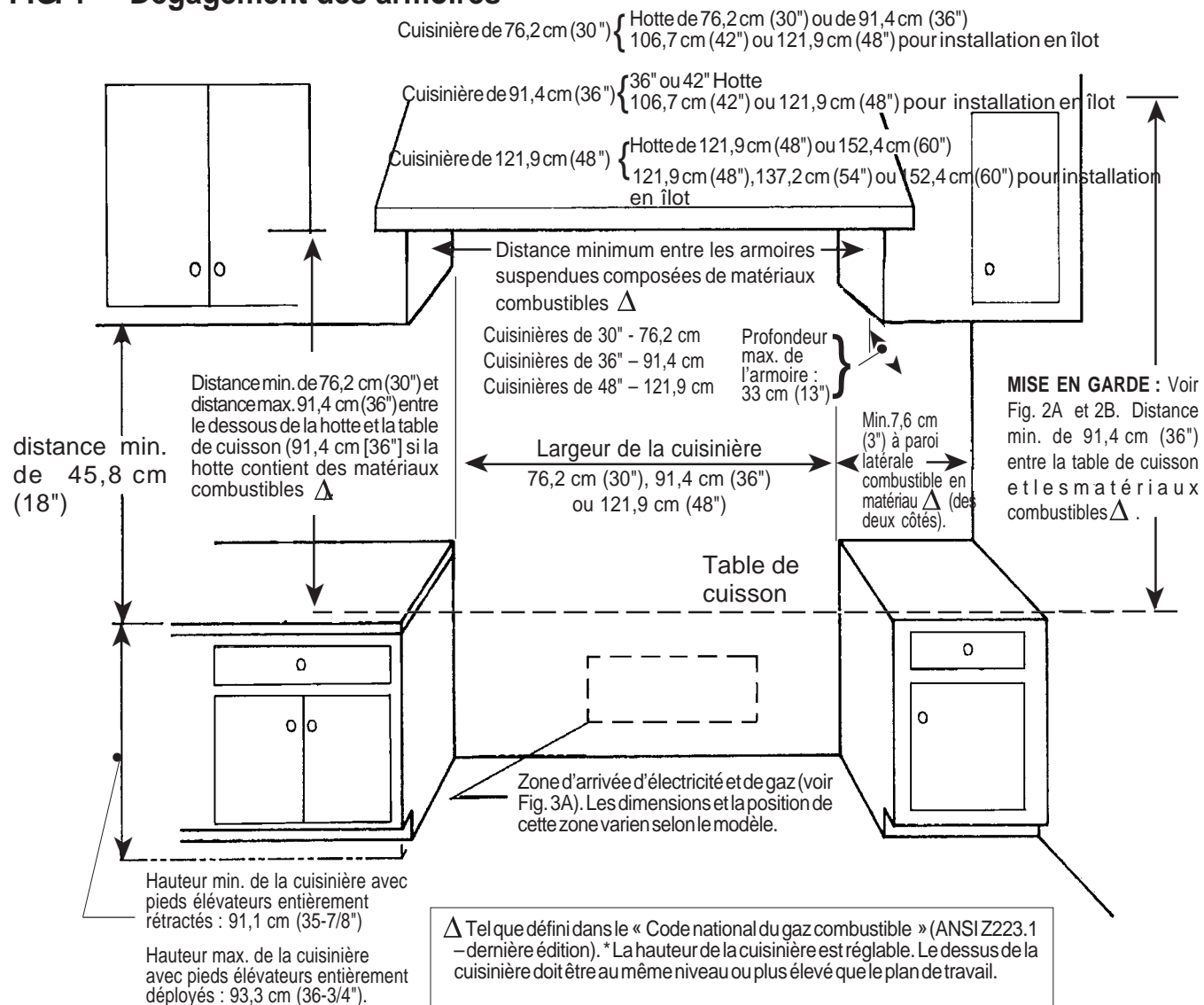
N'installez pas les modèles de cuisinières PG304 et PG48 de telle sorte que la porte du four soit au ras de la partie frontale des armoires. Une installation à même niveau risque d'endommager les armoires dû à leur exposition à la chaleur.

⚠ Tel que défini dans le « Code national du gaz combustible » (version en vigueur de la norme ANSI Z223.1).

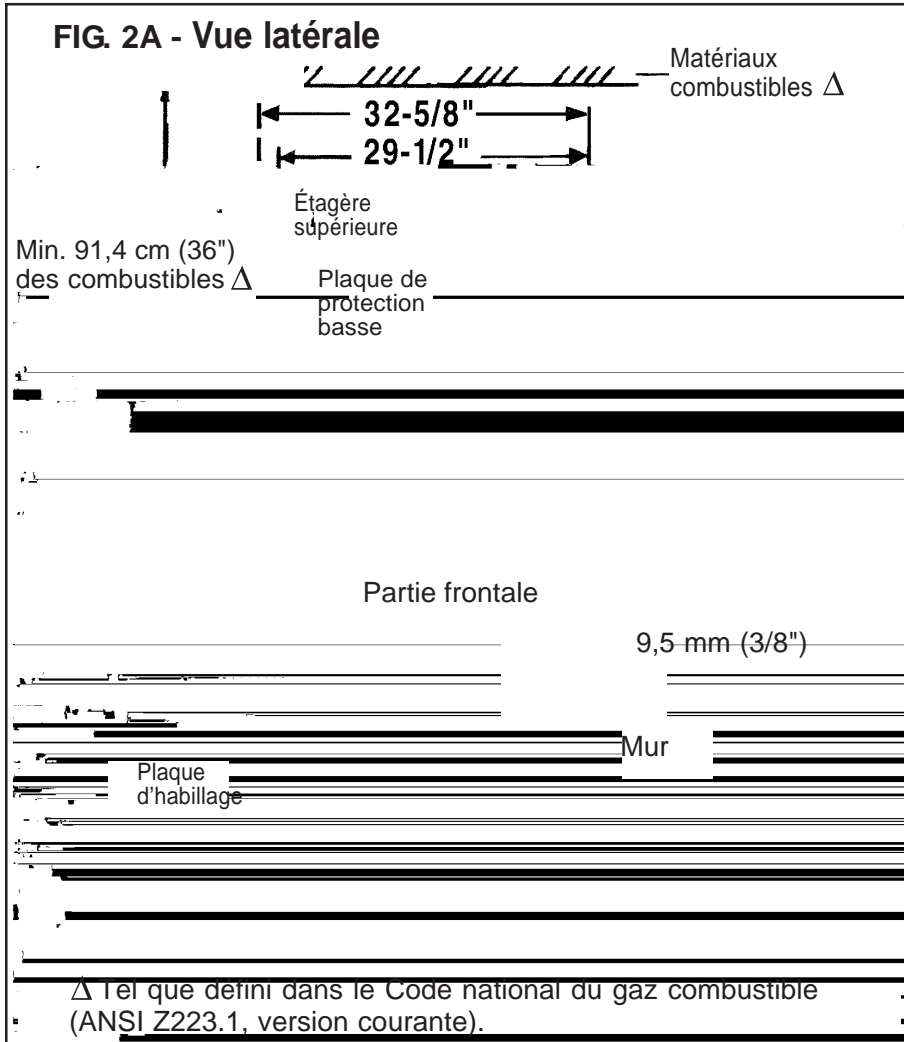
Conversion des mesures

76,2 cm = 30"
 91,4 cm = 36"
 106,7 cm = 42"
 121,9 cm = 48"
 137,2 cm = 54"
 152,4 cm = 60"

FIG. 1 – Dégagement des armoires



Chapitre 2 : Préparation de l'emplacement



Conversion des mesures

9,5 mm = 3/8"

9,8 cm = 3-7/8"

30,4 cm = 12"

32,7 cm = 12-7/8"

55,9 cm = 22"

64,7 cm = 25-1/2"

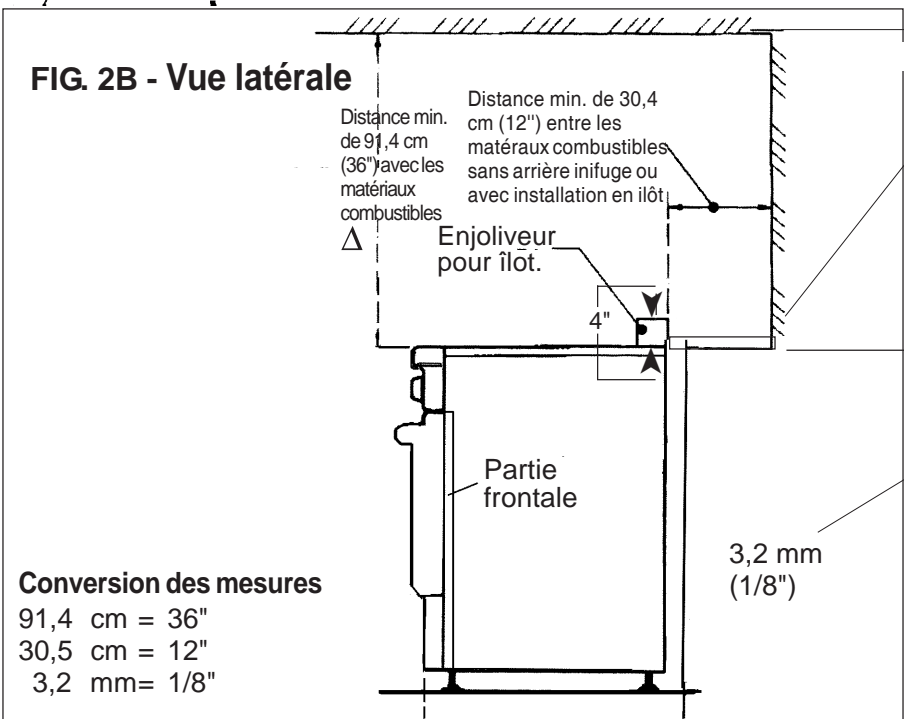
66,9 cm = 26-3/8"

72,1 cm = 28-3/8"

74,9 cm = 29-1/2"

82,9 cm = 32-5/8"

120,3 cm = 47-3/8"



Matériaux combustibles Δ

REMARQUE :

Pour installer l'enjoliveur pour îlot, le plan de travail doit avoir un bord en porte-à-faux venant se placer bord à bord avec l'arrière de l'enjoliveur.

Aire de travail en porte-à-faux

REMARQUE :

Si une paroi interne est utilisée sous l'aire de travail en cantilever, la distance entre cette paroi et l'arrière de la cuisinière doit être de 3,2 mm (1/8")

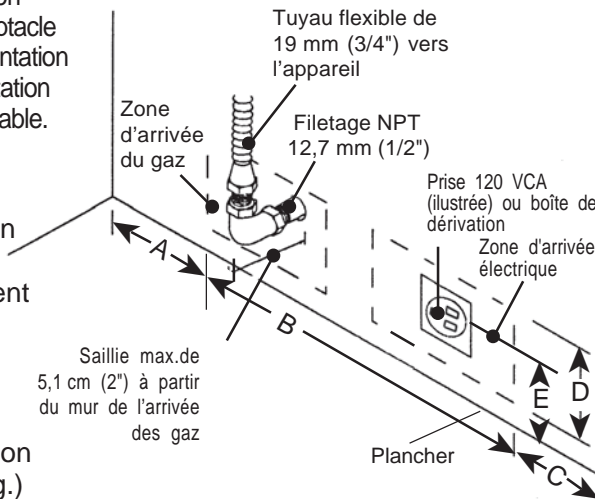
Chapitre 2 : Préparation de l'emplacement

GAZ ET ZONE ET ÉLECTRIQUE D'ARRIVÉE

FIG. 3A : Gaz et zone électrique d'arrivée de toutes les cuisinières

Installation typique illustrée. Un autre type d'installation du gaz et de l'alimentation électrique et du réceptacle dans la zone d'alimentation du gaz et de l'alimentation électrique est acceptable.

REMARQUE : On doit pouvoir accéder facilement à l'une des armoires adjacentes au robinet manuel d'arrêt de gaz (non montré sur la Fig.) sans avoir à déplacer la cuisinière.



Modèle	A	B	C	D	E
PG30	20,3 cm	30,5 cm	25,4 cm	16,5 cm	13,3 cm
PG36	26,4 cm	38,1 cm	26,4 cm	16,5 cm	13,3 cm
PG48	41,9 cm	40,6 cm	39,4 cm	16,5 cm	13,3 cm

REMARQUE : Toute ouverture dans le mur se trouvant derrière l'appareil ou dans le plancher sous l'appareil doit être bouchée.

Toutes les cuisinières à gaz peuvent être raccordées au secteur à l'aide du cordon d'alimentation fourni avec la cuisinière ou bien directement câblées. L'installateur doit fournir les éléments de câblage qui conviennent (cordon ou conduite et câbles) et réaliser le raccordement au gaz conformément à la réglementation locale et/ou au Code national de l'électricité. On doit installer une mise à la terre adéquate pour les appareils. Voir le Chapitre 6 pour plus de détails.

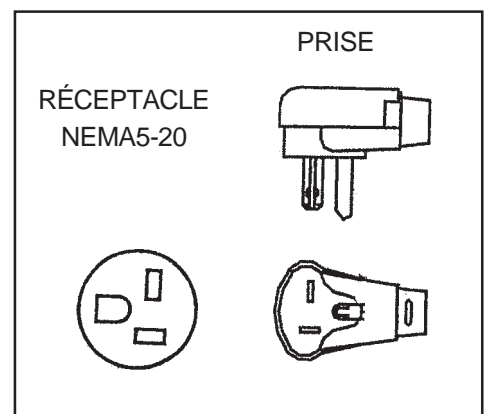
La cuisinière ne doit être raccordée qu'au type de gaz pour lequel elle est certifiée. Si elle est raccordée au gaz propane, le réservoir de propane doit être doté de son propre détendeur en plus du détendeur fourni avec la cuisinière (voir Chapitre 5).

Conversion des mesures

- 20,3 cm = 8"
- 30,5 cm = 12"
- 25,4 cm = 10"
- 16,5 cm = 6-1/2"
- 13,3 cm = 5-1/4"
- 26,4 cm = 10-1/2"
- 38,1 cm = 15"
- 39,4 cm = 15-1/2"
- 40,6 cm = 16"
- 41,9 cm = 16-1/2"

IMPORTANT :

Les cordons fournis avec les cuisinières au gaz dotées d'une plaque de cuisson (PG364GE, PG486GE et PG484GGE) requièrent un réceptacle NEMA 5-20 tel qu'indiqué ci-dessus. Il est possible que le code de la construction local exige une méthode différente de filtage.

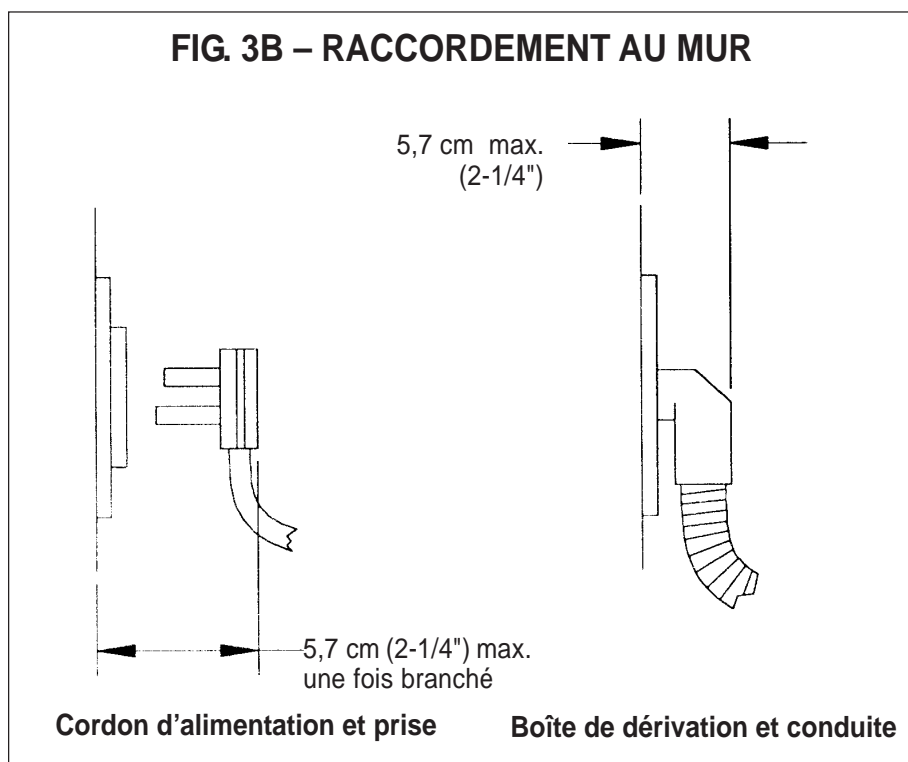


Chapitre 2 : Préparation de l'emplacement

Alimentation électrique pour toutes les cuisinières au gaz

L'installation des cuisinières à gaz doit être planifiée de sorte que la boîte de dérivation pour la prise ou la connexion de la conduite laisse le maximum d'espace à l'arrière de l'appareil.

Ce point est particulièrement important si la boîte de dérivation murale se trouve juste derrière la boîte de dérivation de l'appareil une fois celui-ci installé. Afin de minimiser les torsions lors du branchement de l'appareil à la prise ou à la boîte, orientez en premier lieu la prise ou le connecteur de la conduite et faites glisser sur la position.



IMPORTANT

Pour tous les modèles dotés d'une plaque de cuisson (PG364GE, PG486GE et PG484GGE), une alimentation dédiée de 20 A est requise pour bien fonctionner.

Chapitre 3 : Déballage, manutention et mise en place de la cuisinière

⚠ MISE EN GARDE

Un équipement adapté manipulé par du personnel expérimenté doit être utilisé pour déplacer la cuisinière afin de ne pas endommager l'appareil ni le plancher. La cuisinière est lourde et repose sur des pieds réglables en acier.

Tableau A	Cuisinière de 76,2 cm (30")	Cuisinière de 91,4 cm (36")	Cuisinière de 121,9 cm (48")
Poids à l'expédition	152 kg (335 lb)	201,4 kg (444 lb)	264,9 kg (584 lb)
Poids sans matériaux d'emballage	129,3 kg (285 lb)	176,9 kg (390 lb)	237,6 kg (524 lb)
Poids hors porte(s), chapeaux de brûleurs, plaque d'habillage et grilles de four	97,5 kg (215 lb)	133,8 kg (295 lb)	179,2 kg (395 lb)

- Le poids approximatif de la cuisinière à l'expédition est celui qui est indiqué au Tableau A. Il est recommandé d'ôter les grilles des brûleurs, la plaque de cuisson, les chapeaux des brûleurs, la plaque d'habillage et les grilles du four pour faciliter la manutention. Le poids de l'appareil s'en trouvera diminué, tel qu'indiqué au Tableau A et permettra à la cuisinière de passer par une porte de 76,2 cm (30"). Voir Figures 2A et 2B à la Page 26. **N'ôtez pas le gril ni la plaque de cuisson.**
- Retirez l'emballage externe et les matériaux d'emballage de la palette d'expédition. Toutes les cuisinières à gaz sont fixées sur une palette à l'aide de quatre (4) boulons (voir Fig. 4 et 5). Après avoir enlevé les boulons, soulevez la cuisinière et enlevez-la de la palette.
- Retirez les équerres de la cuisinière. Pour ce faire, l'installateur doit retirer les deux vis qui fixent chacune de ces équerres. Enlevez l'équerre puis remettez les vis.

FIG. 4 – Retrait des deux boulons avant installés pour l'expédition

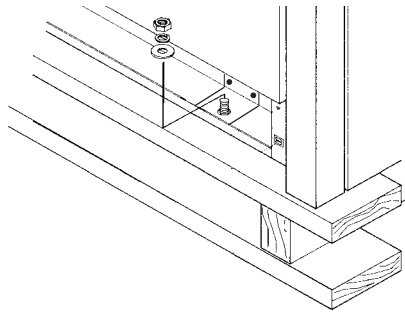
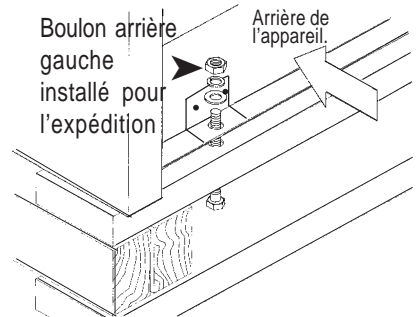


FIG. 5 – Retrait des deux boulons arrière installés pour l'expédition



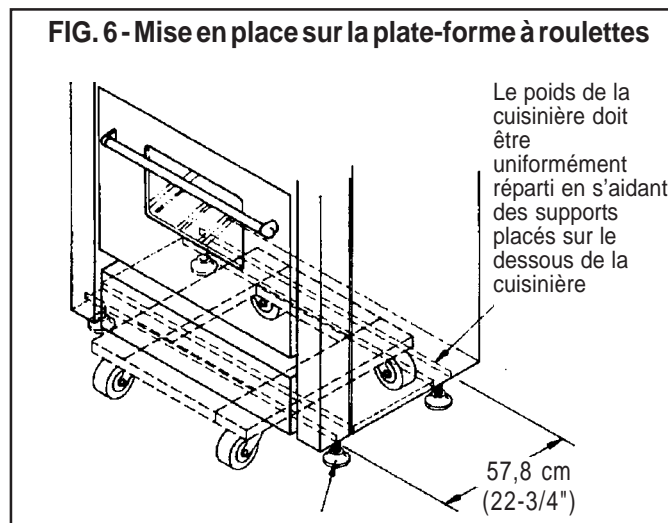
Ajustement de l'angle de la plaque de cuisson

Vérifiez l'ajustement du cadre de la plaque de cuisson en versant deux cuillères à soupe d'eau sur la surface de la plaque. L'eau devrait lentement glisser vers le bas à gauche. Si ce n'est pas le cas, corrigez l'angle à l'aide des deux vis sous le cadre de la plaque de cuisson. Commencez en tournant les vis d'un quart de tour dans le sens contraire des aiguilles d'une montre. Tout ajustement ultérieur devrait être fait à l'aide des quart de tour jusqu'à ce que l'eau glisse dans le bac à graisse.

Chapitre 3 : Déballage, manutention et mise en place de la cuisinière

- En raison du poids de la cuisinière, il convient d'utiliser une plate-forme à roulettes souples pour la déplacer. Le poids doit être uniformément réparti sur la plate-forme (voir Figure 6).
- Transportez la cuisinière sur la plate-forme près de son emplacement définitif, basculez-la pour qu'elle soit reposée sur les pieds arrière puis retirez la plate-forme. **PROTÉGEZ LE SOL SE TROUVANT SOUS LES PIEDS (MORCEAUX DE BOIS, TAPIS, ETC.) AVANT DE METTRE LA CUISINIÈRE EN PLACE.** Installez le dispositif antibascule (Chapitre 4), raccordez le gaz et l'électricité (Chapitres 5 et 6) puis installez la plaque de protection (Chapitre 7) avant de placer définitivement la cuisinière.
- Pour garantir son bon fonctionnement, la **cuisinière professionnelle doit être nivelée.** (Ce point est important pour tous les produits équipés d'une plaque chauffante.) La cuisinière se nivelle en réglant les pieds avec une clé.
- Remettez la plaque d'habillage en place puis installez la porte du four. **Pour installer la porte, voir la page 36. Les deux (2) vis qui maintiennent la plaque d'habillage doivent être solidement fixées pour éviter un contact accidentel avec les surfaces chaudes.**

Assurez-vous que les chapeaux des brûleurs sont correctement assis sur les bases des brûleurs de la table de cuisson de la cuisinière.

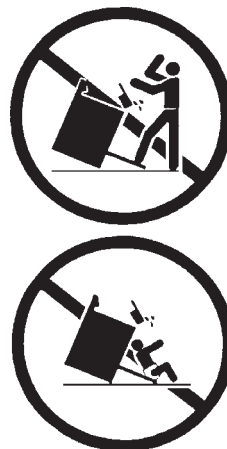


Chapitre 4 : Installation du dispositif antibasculé

Pour toutes les cuisinières de 76,2 cm (30") et de 91,4 cm (36"), un dispositif antibasculé doit être installé conformément aux instructions suivantes.

AVERTISSEMENT **DANGER DE BASCULEMENT**

- Toutes les cuisinières peuvent basculer et blesser quelqu'un. Pour éviter un basculement accidentel, elles doivent être attachées au sol, au mur ou à une armoire au moyen de l'installation du dispositif antibasculé qui vous est fourni.
- Un risque de basculement demeure si l'appareil n'est pas installé conformément à ces instructions.
- En déplaçant la cuisinière pour nettoyage, réparation ou autre, assurez-vous que le dispositif antibasculé s'est bien réenclenché lorsque vous repoussez la cuisinière contre le mur. Sinon, dans l'hypothèse d'une utilisation anormale (personne montant, s'asseyant ou s'étendant sur une porte ouverte), la cuisinière risque de basculer et de provoquer des blessures dues aux liquides chauds renversés ou au poids de la cuisinière.



AVERTISSEMENT

- TOUTES LES CUISINIÈRES PEUVENT BASCULER
- DES PERSONNES PEUVENT ÊTRE BLESSÉES
- INSTALLEZ LES DISPOSITIFS ANTIBASCULE FOURNIS AVEC LA CUISINIÈRE
- CONSULTEZ LES INSTRUCTIONS D'INSTALLATION

AVERTISSEMENT **RISQUE D'ÉLECTROCUTION**

- Soyez très prudent lorsque vous percez des trous dans le mur ou le plancher. Des fils électriques peuvent être dissimulés dans les murs ou dans le plancher.
- Identifiez les circuits électriques pouvant se trouver à l'endroit où le dispositif antibasculé est installé puis débranchez-les.
- Le non-respect de ces instructions risque d'entraîner une électrocution ou des blessures.

MISE EN GARDE

Dommmages causés à l'équipement

- Contactez un installateur ou un entrepreneur qualifié pour déterminer la bonne méthode de perçage des murs ou du plancher (carrelage, bois franc, etc.).
- Ne faites pas glisser la cuisinière sur un plancher non protégé.
- Le non-respect de ces instructions comporte des risques de dommages des revêtements muraux ou de sol.

Outils nécessaires pour l'installation du dispositif antibasculé :

- Tournevis Phillips
- Perceuse électrique ou manuelle
- Ruban à mesurer ou règle
- Foret de 3,2 mm (1/8") (mur ou sol en bois ou métal)
- Foret à béton pointe carbure de 19 mm (3/4") (mur ou sol en béton ou blocs de béton)
- Ancrages de 4,8 mm (3/16"), cloison en préfabriqué ou béton, 2 (inutile si le support de montage est fixé sur du bois dur ou du métal)
- Marteau
- Crayon ou autre marqueur

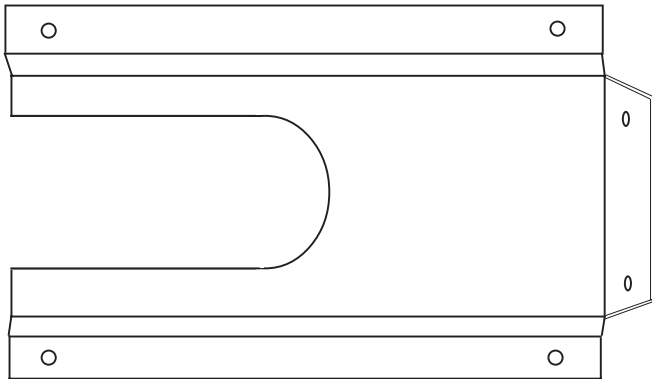
Chapitre 4 : Installation du dispositif antibascule

Toutes cuisinières à gaz PG30 et PG36 (Figures 8A et 8B)

Référence pièce détachée Thermador	Quantité	Description
415078	4	Vis Phillips n° 10 3,81 cm (1-1/2")
487310	1	Patte antibascule, montage au sol

INFORMATIONS IMPORTANTES À PROPOS DE L'INSTALLATION

- La patte antibascule peut être fixée à une armoire en bois massif ayant une paroi d'une épaisseur minimum de 19 mm (3/4").
- Selon l'épaisseur du mur ou du plancher, il peut être nécessaire d'utiliser des vis plus longues, disponibles chez votre quincaillier.
- Au moins deux (2) vis de montage de la patte doivent être fixées sur le bois massif ou le métal.
- Utilisez des ancrages appropriés pour monter la patte antibascule sur un matériau autre que le bois dur ou le métal.
- Préparez les trous des emplacements de fixation tel qu'indiqué ci-dessous :
 - Pour les murs, montants de mur ou sols en bois massif ou en métal, percez des trous de guidage de 3,2 mm (1/8").
 - Pour les murs ou les sols de type préfabriqué, carton-plâtre ou autres matériaux mous, percez des trous de 4,8 mm (3/16") à une profondeur minimum de 4,45 cm (1-3/4") puis enfoncez les ancrages en plastique dans tous les trous à l'aide d'un marteau.
 - Pour les murs ou les sols en béton ou en blocs en béton, percez des trous de 4,8 mm (3/16") à une profondeur minimum de 4,45 cm (1-3/4"), puis enfoncez les ancrages à béton dans les trous à l'aide d'un marteau.
 - Pour les murs ou les sols revêtus de carrelage, percez des trous de 4,8 mm (3/16") de la profondeur du carrelage puis percez derrière le carrelage comme indiqué ci-dessus.
- Si la cuisinière doit être ultérieurement placée à un nouvel endroit, le dispositif antibascule sera enlevé et réinstallé.

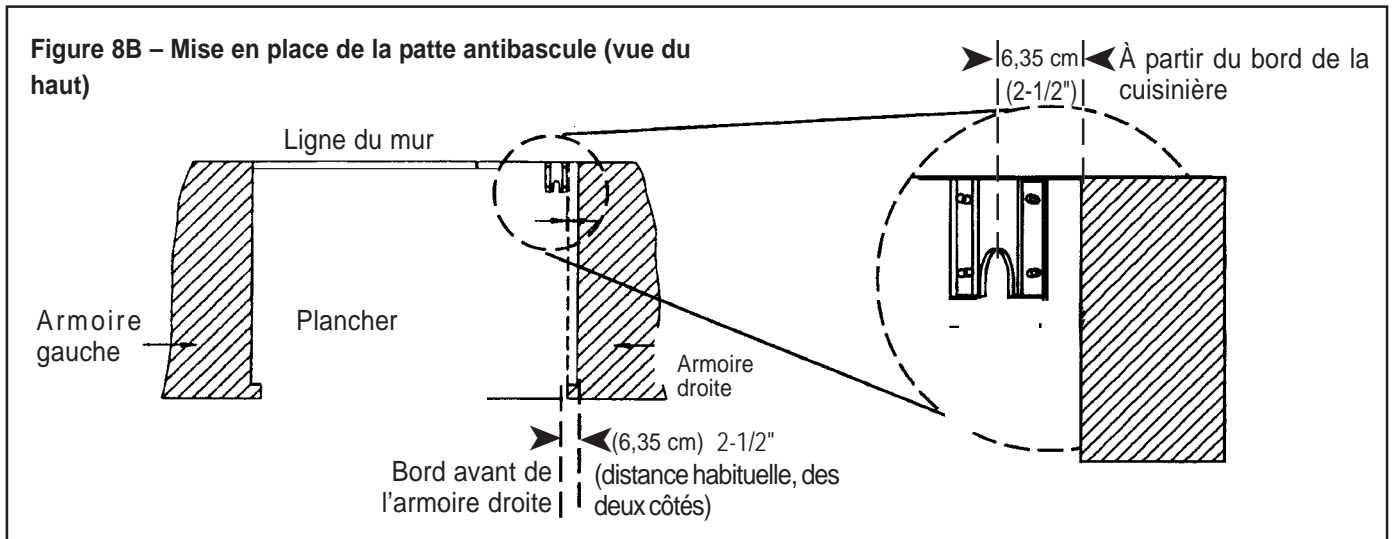


MONTAGE DE LA PATTE ANTIBASCULE

L'option patte montée au sol doit être installée comme suit :

- Placez la patte sur l'emplacement comme indiqué à la Figure 8B.
- Fixez au plancher ou au montant de mur.
- Lorsque la cuisinière est installée, le pied réglable se glissera sous la patte.

FIG. 8A – Montage de la patte antibascule



Chapitre 5 : Exigences de l'alimentation du gaz et raccordement

Vérifiez le type de gaz utilisé à l'endroit où la cuisinière est installée. Celles-ci sont préparées à l'usine avant expédition pour être alimentées par du gaz naturel ou du gaz propane. La cuisinière doit correspondre au type de gaz utilisé sur le site.

En cas d'installation de l'appareil à haute altitude, veuillez consulter la compagnie locale de gaz pour connaître les dimensions correctes des orifices et autres réglages nécessaires permettant une bonne combustion du gaz à l'altitude indiquée.

MISE EN GARDE

Si l'appareil est alimenté par du gaz propane, le réservoir de gaz propane doit être équipé de son propre détendeur en sus du détendeur fourni avec la cuisinière. La pression du gaz à l'entrée du détendeur de la cuisinière ne doit pas dépasser 34,9 mb (14 pouces à la colonne d'eau).

Exigences pour le gaz naturel :

Raccord d'entrée :

3/4" N.P.T. externe;
1/2" N.P.T. interne
(Minimum 19,1 mm (3/4") tuyau flexible diamètre minimum)

Pression d'alimentation :

14,9 à 34,9 mb (6" à 14")
à la colonne d'eau

Pression du collecteur :

12,5 mb (5") à la colonne d'eau

Exigences pour le gaz propane :

Raccord d'entrée :

3/4" N.P.T. externe
1/2" N.P.T. interne
(Minimum 19,1 mm (3/4") tuyau flexible diamètre minimum)

Pression d'alimentation :

27,4 mb à 34,9 mb (11" à 14")
à la colonne d'eau).

Pression du collecteur :

24,9 mb (10") à la colonne d'eau).

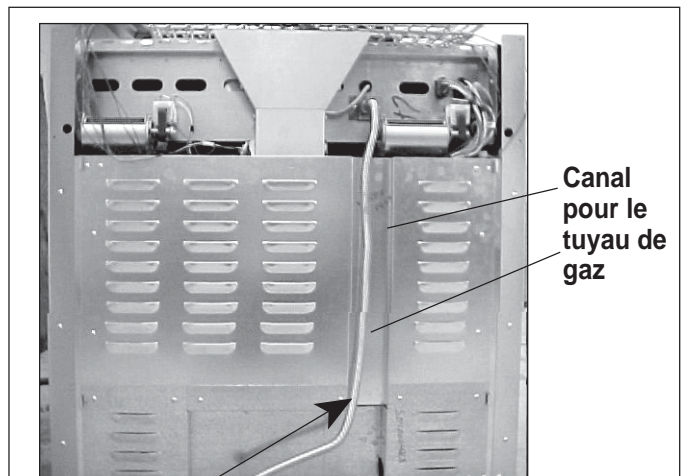
AVERTISSEMENT

Le tuyau de gaz ne doit pas passer à l'intérieur du couvercle arrière de la cuisinière. Acheminez le tuyau de gaz par le canal prévu à cet effet à l'arrière de l'appareil.

RACCORDEMENT

- Un robinet manuel d'arrêt de gaz doit être installé à l'extérieur de l'appareil, à un endroit accessible par le devant, dans le but de pouvoir couper l'alimentation en gaz. Le tuyau d'arrivée de gaz ne doit pas gêner à l'arrière de l'appareil. Assurez-vous que le robinet d'arrêt est fermé avant de raccorder l'appareil.
- La cuisinière est fournie avec un détendeur non amovible qui a été monté à l'intérieur de manière permanente.
- Utilisez le tuyau flexible de 19,1 mm (3/4") pour raccorder l'arrivée de gaz au tuyau du collecteur de l'appareil; ce dernier sort du côté supérieur gauche à l'arrière de l'appareil. Le raccord du tube du collecteur est un filetage NPT 3/4" (voir Photo A). Prenez garde à éviter les pincements du tuyau flexible de 19,1 mm (3/4") dans les coudes.
- Le branchement à l'arrivée de gaz doit être effectué par un technicien compétent conformément à la réglementation locale. À défaut de réglementation locale, l'installation devra être conforme à la norme en vigueur américaine du gaz combustible ANSI Z223.1/NFPA54 ou à la norme canadienne.
- Utilisez toujours de la pâte à joint ou du ruban Teflon® sur les filets du tuyau et prenez garde à ne pas serrer excessivement les raccords.
- Les tests de fuite de l'appareil seront toujours réalisés conformément aux instructions du fabricant.
- Ouvrez le gaz et assurez-vous qu'il n'y a pas de fuites à l'aide d'une solution savonneuse. N'utilisez pas de flamme pour faire cette vérification.

Photo A



Utilisez un tuyau flexible 19,1 mm (3/4") pour raccorder le tuyau du collecteur se trouvant dans la partie supérieure gauche de l'arrière de l'appareil, à l'arrivée de gaz.

Chapitre 6 : Exigences pour l'alimentation électrique, le branchement et la mise à la terre

- Avant d'intervenir sur l'appareil, débranchez toujours le cordon d'alimentation électrique de la prise murale.

Tableau B : Exigences pour les circuits d'alimentation électrique				
NUMÉRO DU MODÈLE	TENSION	INTENSITÉ DU CIRCUIT	FRÉQUENCE	PHASE
PG304	120 VAC	15 Amps	60 Hz.	Monophasé
PG366	120 VAC	15 Amps	60 Hz.	Monophasé
PG364GL	120 VAC	15 Amps	60 Hz.	Monophasé
PG364GE	120 VAC	20 Amps	60 Hz.	Monophasé
PG486GL	120 VAC	15 Amps	60 Hz.	Monophasé
PG486GE	120 VAC	20 Amps	60 Hz.	Monophasé
PG484GGE	120 VAC	20 Amps	60 Hz.	Monophasé

- Pour tous les modèles PG de cuisinières à gaz, un fil d'alimentation neutre doit être installé à partir de la source d'électricité (disjoncteur/panneau de fusibles) car certains composants de la cuisinière, dont le module de production d'étincelle pour les brûleurs de la table de cuisson, fonctionnent de manière sûre et adéquate sur le 120 VCA. Une mauvaise alimentation électrique entraînera des dysfonctionnements, endommagera la cuisinière et peut provoquer un risque d'électrocution. Si le circuit électrique ne remplit pas les conditions nécessaires, l'installateur ou l'utilisateur est responsable et tenu de faire faire une installation correcte et conforme à la réglementation locale applicable par un électricien qualifié. À défaut de réglementation locale, le branchement électrique sera conforme au Code national de l'électricité.
- La mise à la terre doit être conforme à l'ensemble de la réglementation applicable. À défaut, la norme américaine d'électricité ANSI/NFPA N° 70 en vigueur ou la norme canadienne sera appliquée.
- Les schémas de câblage électrique à l'intention du technicien qualifié ont été placés dans la plaque d'habillage de l'appareil.

IMPORTANT

Pour tous les modèles de cuisinières à gaz dotés d'une plaque de cuisson (PG364GE, PG486GE et PG484GGE), une alimentation électrique dédiée de 20 A est requise pour un bon fonctionnement.

ATTENTION

L'appareil doit être isolé du système d'arrivée de gaz en fermant le robinet manuel d'arrêt pendant tous les tests de pression d'alimentation en gaz lorsque ces pressions sont égales ou inférieures à 3,5 kPa (1/2 psig).

L'appareil et son robinet individuel d'arrêt doivent être débranchés du système d'arrivée de gaz pendant tous les tests de pression du système si ces pressions dépassent 3,5 kPa (1/2 psig).

Pour la vérification de la pression de gaz du collecteur, la pression d'entrée du détendeur doit être de 14,9 mb (6") au minimum pour le gaz naturel et de 7,4 mb (11") pour le propane.

Chapitre 7 : Installation de la plaque de protection

La plaque de protection doit être mise en place avant de placer la cuisinière à son emplacement définitif. La plaque, basse ou haute avec étagère, est obligatoire si la distance, au-dessus de la table de cuisson, entre les parois combustibles et l'arrière de la cuisinière est inférieure à 30,5 cm (12") (voir Figures 2A et 2B à la page 26).

Un enjoliveur pour installation en îlot est disponible : il recouvre les brides de montage de la plaque de protection là où la distance horizontale entre les parois combustibles et l'arrière de la cuisinière est d'au moins 30,5 cm (12") (voir Figure 2B page 26).

La plaque de protection s'insère dans les glissières à l'arrière de la cuisinière, comme indiqué à la Figure 14, et est fixée par les quatre (4) vis à tête fournies.

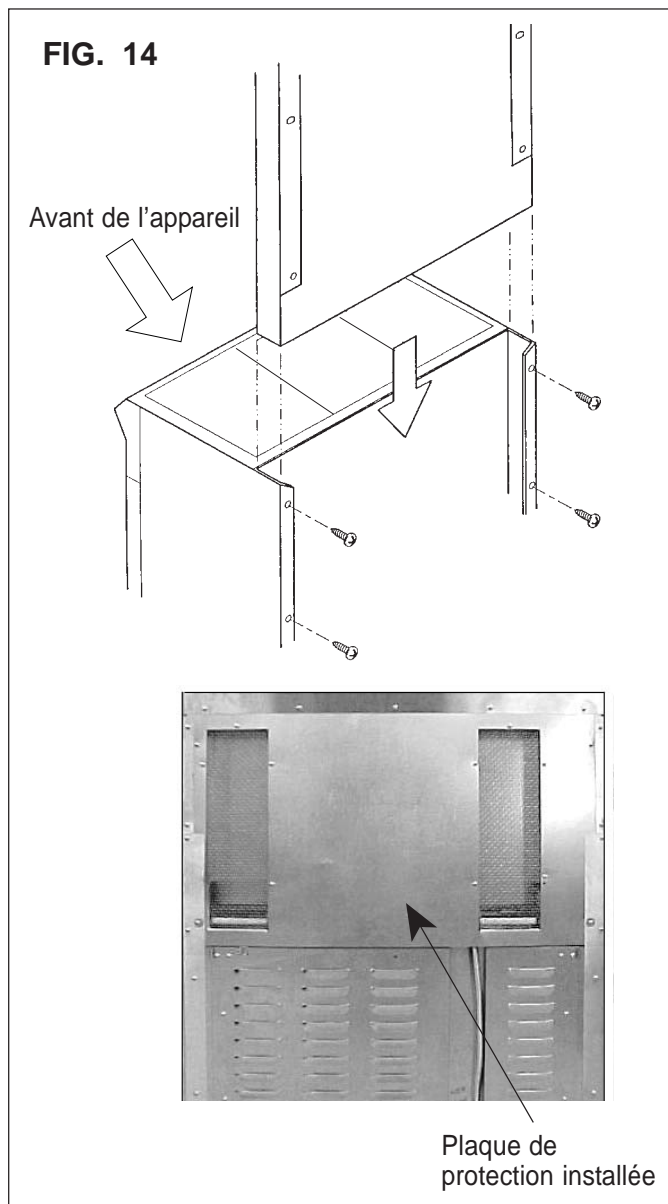


Tableau C : Références pour les plaques de protection

Modèle de cuisinière	22,9 cm (9") Plaque basse standard	30,5 cm (12") Plaque basse	55,9 cm (22") Plaque haute à étagère	9,5 cm (3 3/4") Enjoliveur pour îlot
PG304	Inclus avec la cuisinière	N/D	HS30R	IT30R
PG36	N/D	LB36R	HS36R	IT36R
PG48	N/D	LB48R	HS48R	IT48R

Chapitre 8 : Installation de la porte

MISE EN GARDE

La porte est lourde et doit être manipulée par deux personnes.

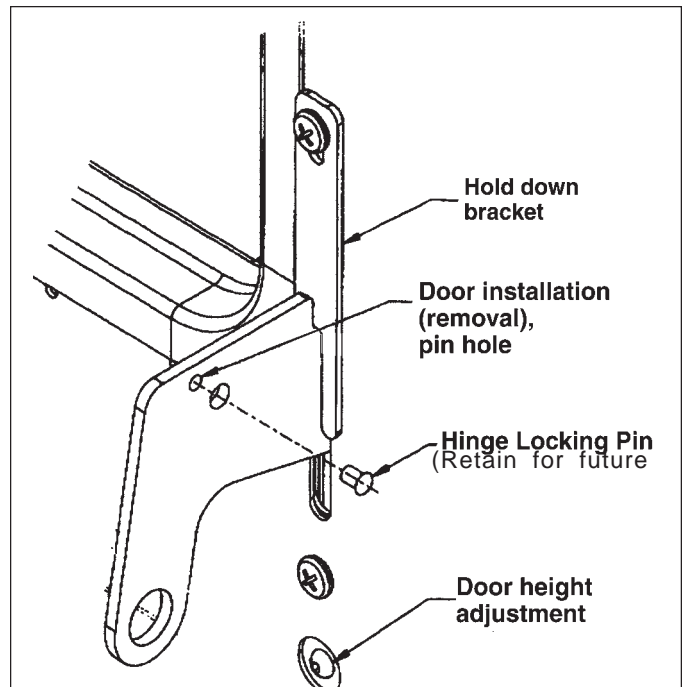


FIG. 15

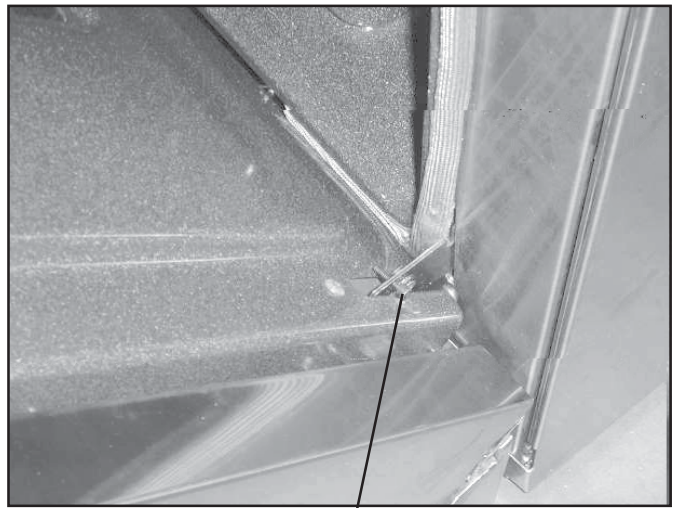


Photo C Goupille de blocage du crochet charnière

Photo B. Insérez le crochet charnière de la porte dans le passage de charnière du cadre frontal.

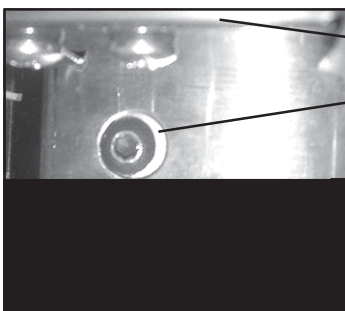


Photo D

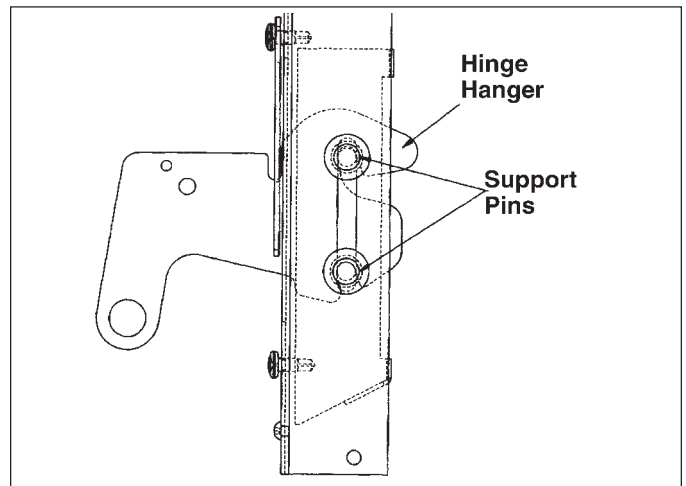


FIG. 16

Chapitre 9 : Tests et réglages

Installez toutes les pièces détachées, telles que les chapeaux et les grilles des brûleurs, susceptibles d'avoir été enlevées. Assurez-vous que les chapeaux de brûleurs reposent bien sur leurs rainures d'alignement placées dans les bases des brûleurs. Avant de tester le fonctionnement de l'appareil, assurez-vous que l'alimentation en gaz et l'appareil lui-même ne présentent pas de fuites et que l'alimentation électrique est branchée. Ouvrez le robinet manuel d'arrêt de gaz. Vérifiez le fonctionnement des brûleurs hermétiquement encastrés et du gril en enfonçant et en tournant chacun des boutons dans le sens contraire des aiguilles d'une montre sur la position HI. Les allumeurs des brûleurs émettent des déclics jusqu'à allumage de la flamme. Les deux brûleurs les plus à gauche ont une fonctionnalité XLO® grâce à laquelle la flamme s'allume et s'éteint lorsque le bouton est sur la position XLO.

⚠ MISE EN GARDE

Les réglages des brûleurs doivent être réalisés par un technicien qualifié au moment de l'installation. Renforcez les précautions pour effectuer les réglages après l'installation. Des réglages incorrects ou non effectués peuvent causer des dommages collatéraux ou annuler votre garantie.

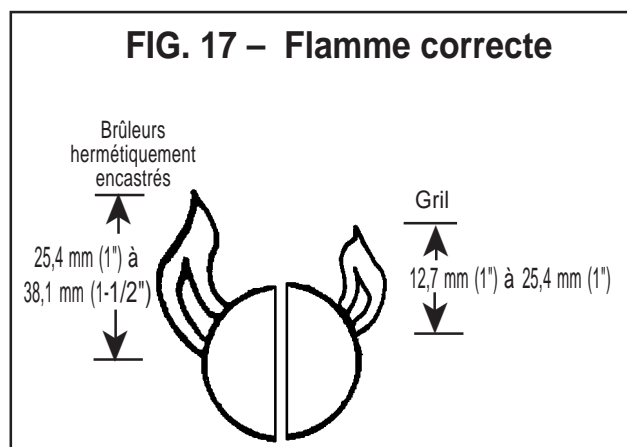
Il s'agit d'un fonctionnement normal.

Les flammes des brûleurs doivent être tout à fait bleues (pas de jaune à l'extrémité) et stables, ne pas produire un bruit excessif ni se détacher du brûleur. Si l'une de ces conditions apparaît, assurez-vous que

l'obturateur d'air (gril seulement) ou les orifices des brûleurs ne sont pas bouchés ou obstrués. Éliminez toute obstruction. Si la flamme est trop jaune (ce qui indique une insuffisance d'air), réglez l'obturateur dans le sens contraire des aiguilles d'une montre afin d'augmenter l'entrée d'air (gril seulement).

La hauteur des flammes des brûleurs doit être d'environ 2,54 cm (1") à 3,81 cm (1-1/2"). Les flammes de la plaque chauffante et du gril doivent présenter l'aspect indiqué à la Figure 17.

REMARQUE : Il n'est ni possible ni nécessaire de régler l'obturateur d'air ou la flamme basse des brûleurs hermétiquement encastrés de la table de cuisson.



Nettoyage et protection des surfaces externes

Les surfaces en acier inoxydable se nettoient en passant un chiffon mouillé à l'eau savonneuse. Rincez à l'eau claire puis séchez avec un chiffon sec pour éviter les traces d'eau. Retirez les traces de doigts et les traînées avec un produit à vitres doux.

En cas de décoloration ou de tache persistante, consultez le Manuel d'utilisation et d'entretien.

Pour faire briller et protéger l'acier inoxydable, utilisez un produit nettoyant ou un poli comme Stainless Steel Magic®.

NE laissez PAS les taches s'incruster.

N'utilisez PAS de tampons ni de brosses métalliques. De petits morceaux de métal risquent d'adhérer à la surface et de la faire rouiller.

NE laissez PAS les solutions salines, les désinfectants, l'eau de Javel ou les produits de nettoyage en contact avec l'acier inoxydable. Ces produits contiennent en général des produits chimiques susceptibles de l'endommager. Rincez-les à l'eau puis séchez avec un chiffon sec.

Liste de vérification pour l'installateur

LISTE FINALE DE VÉRIFICATION

- L'appareil a été mis en place.
- Les distances spécifiées entre l'appareil et les armoires adjacentes sont respectées.
- Le nivellement de l'appareil d'avant vers l'arrière, et d'un côté à l'autre a été effectué.
- Les chapeaux de brûleurs ont bien placés sur les bases.
- Tous les matériaux d'emballage ont été enlevés.
- L'enjoliveur pour îlot ou la plaque de protection a été posée (si la distance horizontale avec matériaux combustibles au-dessus de la table de cuisson est inférieure à 30,5 cm [12"]).
- La porte et les plaques de maintien inférieures ont été posées.
- La plaque d'habillage a été fixée à l'aide de deux (2) vis.

ALIMENTATION EN GAZ

- Raccord : filetage NPT de 3/4" (3/4") avec tuyau flexible diamètre minimum 19,1 mm (3/4")
- L'appareil est bien raccordé au type de gaz pour lequel il est certifié.

- Le robinet manuel d'arrêt de gaz a été installé à un endroit accessible (sans devoir déplacer la cuisinière).
- L'appareil a été testé et n'a pas de fuites de gaz.
- La pression d'alimentation de gaz est inférieure à 34,9 mb (14").

ÉLECTRICITÉ

- La prise de courant à laquelle le cordon d'alimentation est branché est bien protégée contre les surtensions.
- Une mise à la terre adéquate a été installée.
- Une polarité adéquate existe pour la prise (le réceptacle).
- Une prise NEMA 5-20 de 120 VCA sert pour les modèles de cuisinières à gaz avec plaque de cuisson (PG364GE, PG486GE et PG484GGE) avec protection de surintensité de 20 A.

FONCTIONNEMENT

- Tous les matériaux d'emballage ont été enlevés à l'intérieur. Vérifiez sous les grilles, les lèchefrites et dans le four.

- Si le cuisinière fonctionne au gaz propane, assurez-vous que l'alimentation en propane est pourvue de son propre détendeur en plus du détendeur fourni avec l'appareil.
- Les chapeaux des brûleurs reposent bien sur leurs bases.
- Les composantes du gril sont bien en place (certains modèles). Voir le Manuel d'utilisation et d'entretien pour plus de détails sur le gril.
- Les cadrans des boutons sont bien centrés et les boutons tournent librement.
- Chaque brûleur s'allume correctement, seul ou avec d'autres brûleurs allumés.
- Le réglage de l'obturateur d'air pour obtenir la flamme désirée pour le gril a été effectué. Voir Chapitre 9 et Figure 17.
- La plaque de cuisson est légèrement inclinée vers l'avant et ne bouge pas (certains modèles).
- Les crochets charnières de porte(s) du(des) four(s) sont bien en place et se verrouillent correctement. La porte s'ouvre et se ferme correctement.
- Les grilles des brûleurs sont bien placées, nivelées et ne bougent pas.

Notes

Notes

Notes

Specifications are for planning purposes only. Refer to installation instructions and consult your countertop supplier prior to making counter opening. Consult with a heating and ventilating engineer for your specific ventilation requirements. For the most detailed information, refer to installation instructions accompanying product or write Thermador indicating model number.

We reserve the right to change specifications or design without notice. Some models are certified for use in Canada. Thermador is not responsible for products which are transported from the U.S. for use in Canada. Check with your local Canadian distributor or dealer.

For the most up-to-date critical installation dimensions by fax, use your fax handset and phone: (775) 833-3600. Use code #8030.

Les spécifications ne sont fournies qu'à titre prévisionnel. Consultez les instructions d'installation et le fournisseur de votre plan de travail avant de le modifier. Consultez un entrepreneur en chauffage et en climatisation pour vos conditions spécifiques de ventilation. Pour une information plus détaillée, reportez-vous aux instructions d'installation jointes au produit ou bien écrivez à Thermador en indiquant le numéro du modèle.

Nous nous réservons le droit de modifier les caractéristiques ou le design sans préavis. Certains modèles sont approuvés pour le Canada. Thermador n'est pas responsable des produits transportés des États-Unis pour être utilisés au Canada. Veuillez vous renseigner auprès de votre distributeur ou détaillant canadien.

Pour obtenir les dimensions d'installation très précises par télécopieur, veuillez nous contacter par télécopieur et par téléphone au (775) 833-3600. Utilisez le code n° 8030.



Thermador[®]

BSH Home Appliances Corp.

5551 McFadden Avenue, Huntington Beach, CA USA • 1 (800)735-4328
ECO 5U008BG • 9000051327 Rev. A • © 2004 BSH Home Appliances Corp. • Litho USA 10/04

Free Manuals Download Website

<http://myh66.com>

<http://usermanuals.us>

<http://www.somanuals.com>

<http://www.4manuals.cc>

<http://www.manual-lib.com>

<http://www.404manual.com>

<http://www.luxmanual.com>

<http://aubethermostatmanual.com>

Golf course search by state

<http://golfingnear.com>

Email search by domain

<http://emailbydomain.com>

Auto manuals search

<http://auto.somanuals.com>

TV manuals search

<http://tv.somanuals.com>