

ATION
CTIONS

Refrigerators
Freezers

INSTRUCTIONS
INSTALLATION

Pour réfrigérateurs et
congélateurs encastrés

INSTRUCCIONES
DE INSTALACIÓN

Para los refrigeradores
y congeladores empotrados

Freezer
(or)
Congélateur inférieur
(portes)
Congelador independiente
(3 puertas)

Thermador®

Contents

Before you Begin	4
Definitions	4
Important information	4
Installation options	5
Individual unit	5
Side-by-Side	5
Individual appliances with partition	5
At the end of the kitchen units	5
Installation location	6
Installation room	6
Installation cavity	6
Furniture/fixtures	6
Base	6
Connecting the power	7
Additional grounding procedure3.	7
Grounding instruction	7
Connecting the water	7
Installation dimensions	8
Single installation	8
Side-by-Side installation	9
Appliance dimensions	10
Required accessories and tools	11
1. Supplied accessories	11
2. Optional accessories8.	11
3. Other required accessories from specialist outlets	11
4. Tools	11
5. Other	11
Installation instructions	12
1. Checking the installation cavity	12
2. Removing the packaging	12
3. Preparing the appliance	13
4. Preparing the installation cavity	13
5. Attaching an alternative anti-tip device	15
6. Preparing to connect the water	15
7. Attaching the edge protection	16
8. Side-by-Side installation	16
9. Pushing the appliance into the installation cavity	16

10. Installing and aligning the appliance	17
11. Attaching the appliance to the top of the cavity	18
12. Attaching the individual appliance to the side of the cavity	19
13. Connecting the water to the appliance	19
14. Attaching the toe kick panel	20
15. Preparing the furniture doors	21
16. Loading the appliance door	22
17. Attaching the adjusting rail to the furniture door (refrigerator compartment)	22
18. Attaching and aligning the furniture door (refrigerator compartment)	23
19. Attaching the furniture door (refrigerator compartment)	24
20. Attaching the adjusting rail (freezer compartment)	25
21. Attaching and aligning the furniture door (freezer compartment)	26
22. Attaching the furniture door (freezer compartment)	27
23. Attaching the lower bracket	28
24. Attaching the finger guard	28
25. Attaching the covers	29
26. Mounting of air separator	30
27. Adjusting the door opening angle	31
28. Changing the door spring	31

Before you Begin

Read these instructions completely and carefully.

IMPORTANT

Save these instructions for local inspector's use. Observe all governing codes and ordinances.

Note to Installer – Be sure to leave these instructions with the Consumer.

Note to Consumer – Keep these instructions with your Owner's Manual for future reference.

WARNING

This appliance must be properly grounded. See the section on "Connecting the power" on page 7.

WARNING



These appliances are top-heavy and must be secured to prevent the possibility of tipping forward. Anti-tip protection is required.

Keep doors closed until the appliance is completely installed and secured per installation instructions.

Due to the weight and size of this appliance, and to reduce the risk of personal injury or damage to the product – **TWO PEOPLE ARE REQUIRED FOR PROPER INSTALLATION.**

CAUTION

Skill – Level – Installation of this appliance requires basic mechanical, carpentry and plumbing skills. Proper installation is the responsibility of the installer. Product failure due to improper installation is not covered under the Appliance Warranty. See the Owner's Manual for warranty information.

WARNING

Use this appliance only for its intended purpose.

Immediately repair or replace electric service cords that become frayed or damaged.

Unplug the appliance or switch off the fuse before cleaning or making repairs.

Repairs should be made by a qualified service technician.

These installation instructions are intended for use by qualified installers. All connections for water, electrical power and grounding must comply with local codes and ordinances and be made by licensed personnel when required. In the absence of a local code:

- In the U.S.A., in accordance with the National Electric Code, ANSI/NFPA70 – latest edition/State and Municipal codes and/or local codes.
- In Canada, in accordance with the Canadian Electric Code C22.1 – latest edition/Provincial and Municipal codes and/or local codes.

Definitions



WARNING



WARNING – This indicates that death or serious injuries may occur as a result of not observing this warning.



CAUTION



CAUTION – This indicates that minor or moderate injuries or damage may occur as a result of not observing this warning.



This symbol is used to draw the user's attention to something in particular.

Important information

The importance of complying with all regulations and instructions in this installation manual cannot be emphasised enough. The installation should be carried out by a qualified fitter.

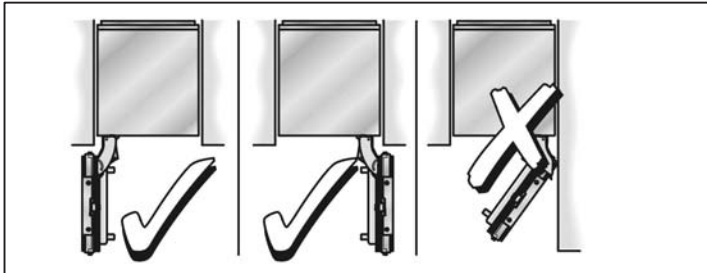
Before starting the installation, always read this installation manual in full. It contains important details which the fitter must observe. Provided this manual is read thoroughly, the installation will be simple, trouble-free and, most importantly, safe.

Installation options

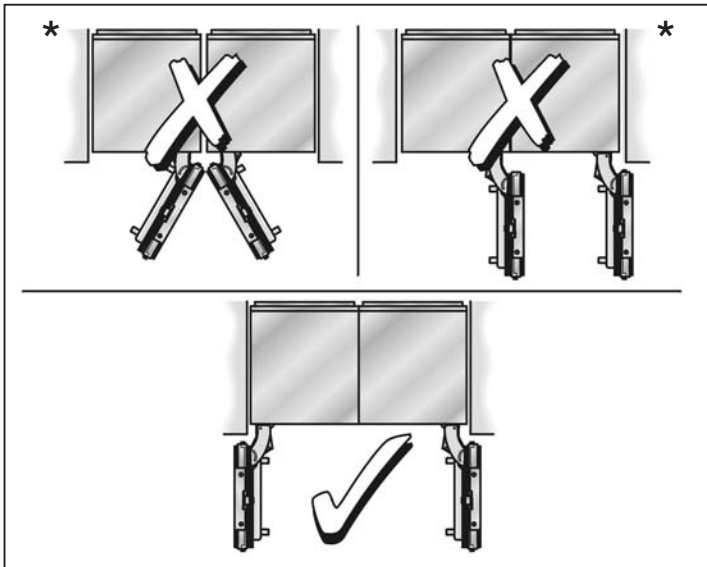
There are many different installation options.

These are limited only by the design of the kitchen and the function of the finger guard.

Individual unit



Side-by-Side



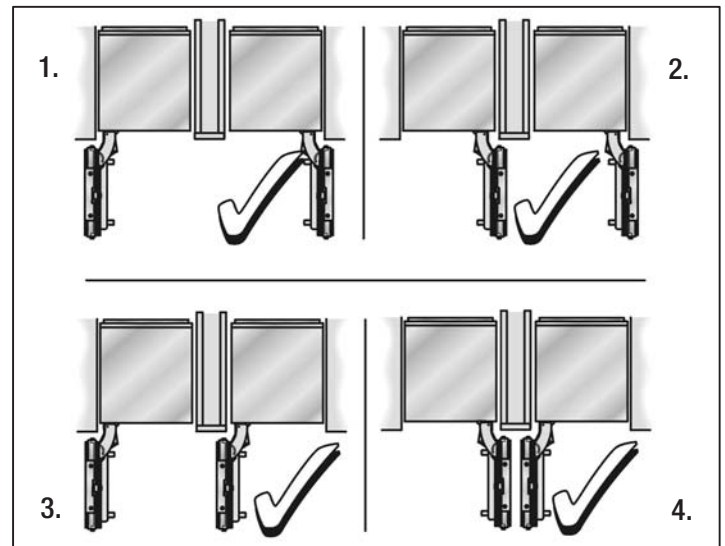
* Partition required!

i When 2 appliances are installed Side-by-Side, the **Basic Combination Side-by-Side Sealing kit "BSEALKIT10"** must be used to ensure a stable connection.

When combining 2 appliances with a freezing function (e.g. 2 freezers or 1 bottom mount appliance and 1 freezer), use the **Extreme Combination Side-by-Side Heating kit "XHEATKIT10"**.

See the section on "Optional accessories" on page 11.

Individual appliances with partition



i Note

- When dimensioning the partition for model 4, note the thickness of the furniture fronts to prevent damage if the doors are opened at the same time.
 - Use the **Extreme Combination Side-by-Side Heating kit "XHEATKIT10"**
 - a) If the gap between the appliances is less than 6" (160 mm),
 - b) for permanent connection of two individual appliances, e. g. Freezer or Bottom Mount appliance next to Freezer.
- See the section on "Optional accessories" on page 11.
- Minimum thickness of the partition $\frac{5}{8}$ " (16 mm).

At the end of the kitchen units

If one side of the appliance is visible, a side panel must be used.

The side panel must be connected firmly to the wall, the floor and overhead furniture/fixtures before the appliance is placed in the cavity.

The dimensions of the side panel are taken from the opposite cavity wall. During installation ensure that the cavity is square and the exact size.

Installation location



WARNING



Do not install the appliance:

- outdoors,
- in an environment with dripping water,
- in rooms which are at risk of frost.

Appliance is very heavy – for empty weight see the following table:

BM (Bottom Mount) 36" approx. 430 lbs / 195 kg

Installation room

The appliance should be installed in a dry, ventilated room.

The ambient temperature should not drop below 55 °F (13 °C) or rise above 110 °F (43 °C), otherwise malfunctions may occur.

The installation location should not be exposed to direct sunlight and not placed near a heat source, such as an oven, radiator, etc. If installation next to a heat source is unavoidable, use a suitable insulating plate or observe the following minimum distances from the heat source:

- 1 1/4" (30 mm) from an electric cooker,
- 12" (300 mm) from an oil or solid-fuel cooker.

Installation cavity

It is important to observe the specified dimensions of the installation cavity for a trouble-free installation of the appliance and for the subsequent general view of the furniture front.

i In particular ensure that the cavity is square.

Squareness can be checked by suitable means, e.g. spirit level, diagonal measurements, etc.

i The side walls of the cavity must be flush.

The minimum thickness of side walls and the top wall must be 5/8" (16 mm).

The minimum thickness of toe kick panel must be 1/2" (13 mm).

A thickness of 3/4" (19 mm) is recommended.

Furniture/fixtures

The new appliance is screwed securely to adjacent and overhead furniture/fixtures.

For this reason it is essential that all attachable furniture/fixtures are connected securely to the base or the wall by suitable means.

Base



WARNING



A fully-load appliance is very heavy – for the load-bearing capacity

1100 lbs / 500 kg

Connecting the power



WARNING



Electrical Shock Hazard

- Plug into a grounded 3 prong outlet.
- Do not remove ground prong.
- Do not use an adapter.
- Do not use an extension cord.

Failure to follow these instructions can result in death, fire, or electrical shock.

The appliance comes with a 3-wire power supply cord, UL listed in the USA.

The appliance requires a 3-wire receptacle.

The receptacle must be installed by a licensed electrician only.

Orient ground prong to the bottom as shown in the pictures.

For the installation position of the receptacle see "Installation dimensions", page 8.

Additional grounding procedure

Some local regulations may require a separate ground. In such cases, the required accessory ground wire, clamp and screw must be purchased separately.

Never ground the appliance to plastic plumbing lines, gas lines or water pipes.

Grounding instruction

This appliance must be grounded. In the event of a malfunction or breakdown, grounding will reduce the risk of electric shock by providing a path of least resistance for the electric current.



WARNING



Improper connection of the equipment grounding conductor may result in electric shock. Have the appliance checked by a qualified electrician or service technician if you are in doubt as to whether the appliance has been properly grounded.

Connecting the water

A cold water connection is required for operation of the automatic ice maker. The water pressure must be between 25 and 120 p.s.i. (1.72–8.25 bar). The installation must comply with local plumbing regulations.

A separate shut-off valve must be installed for the appliance water connection.

The shut-off valve for the water connection must not be behind the appliance. It is recommended to place the shut-off valve directly next to the appliance (base unit) or in another easily accessible location.

When installing the water connection, observe the permitted installation areas for the pipe. For the permitted installation areas and dimensions see "Installation dimensions", page 8.

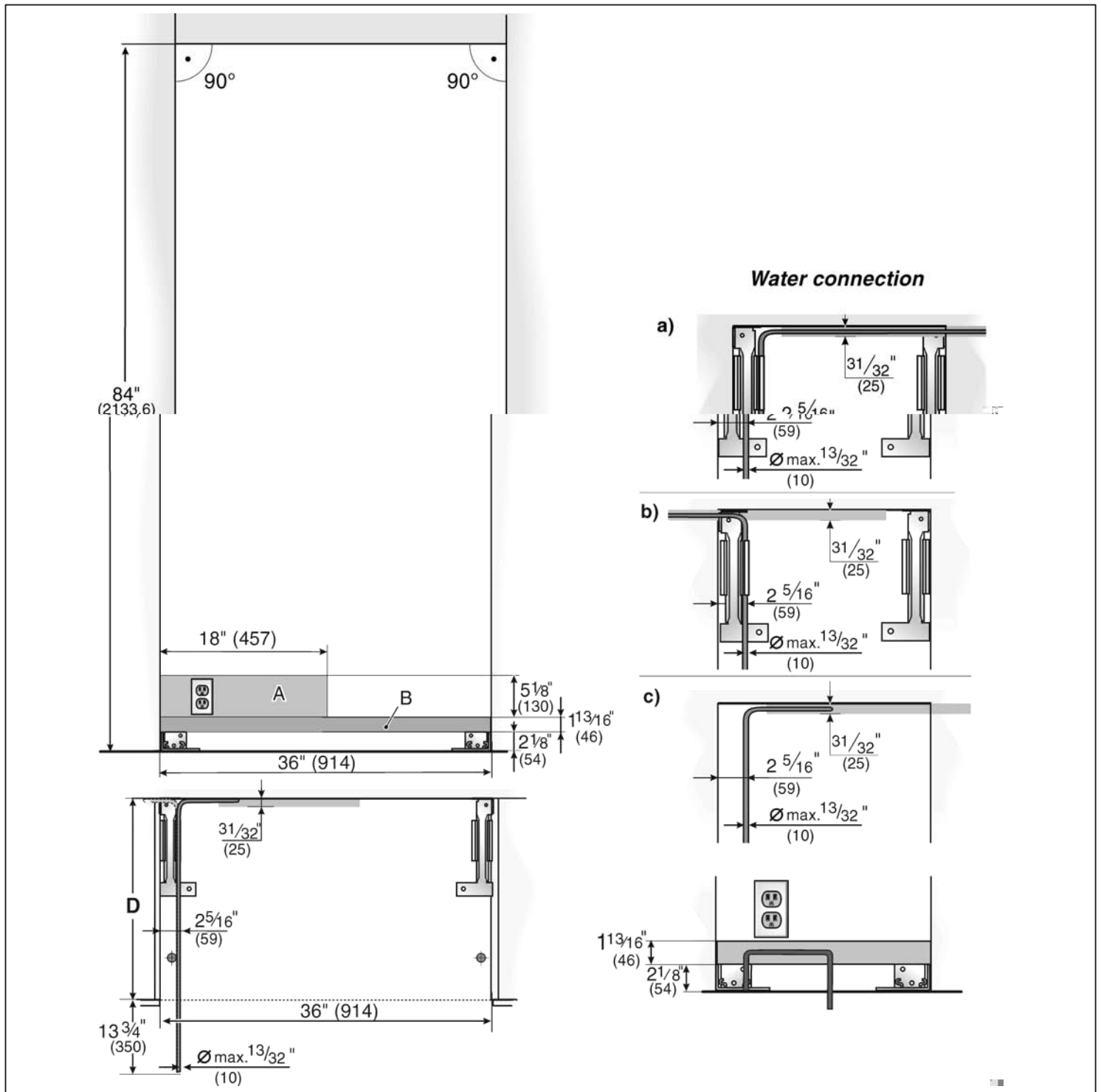
The supply pipe can be located at the side on the right (a), at the side on the left (b) or underneath (c).

Maximum outer diameter of the water pipe (without fittings): $1\frac{3}{32}$ " (10 mm).

Attach a separate shut-off valve for the water connection in a suitable, easily accessible location. Do not use a self-piercing valve!

Installation dimensions

Single installation



Legend:

- A Area for installation of the power connection
- B Area for installation of the water connection

D Opening depth of niche, depending on kitchen design
(see DESIGN GUIDE)

D = 24" (610 mm) minimum

NOTE: Cavity must be square.
Side wall of the cavity must be flush.

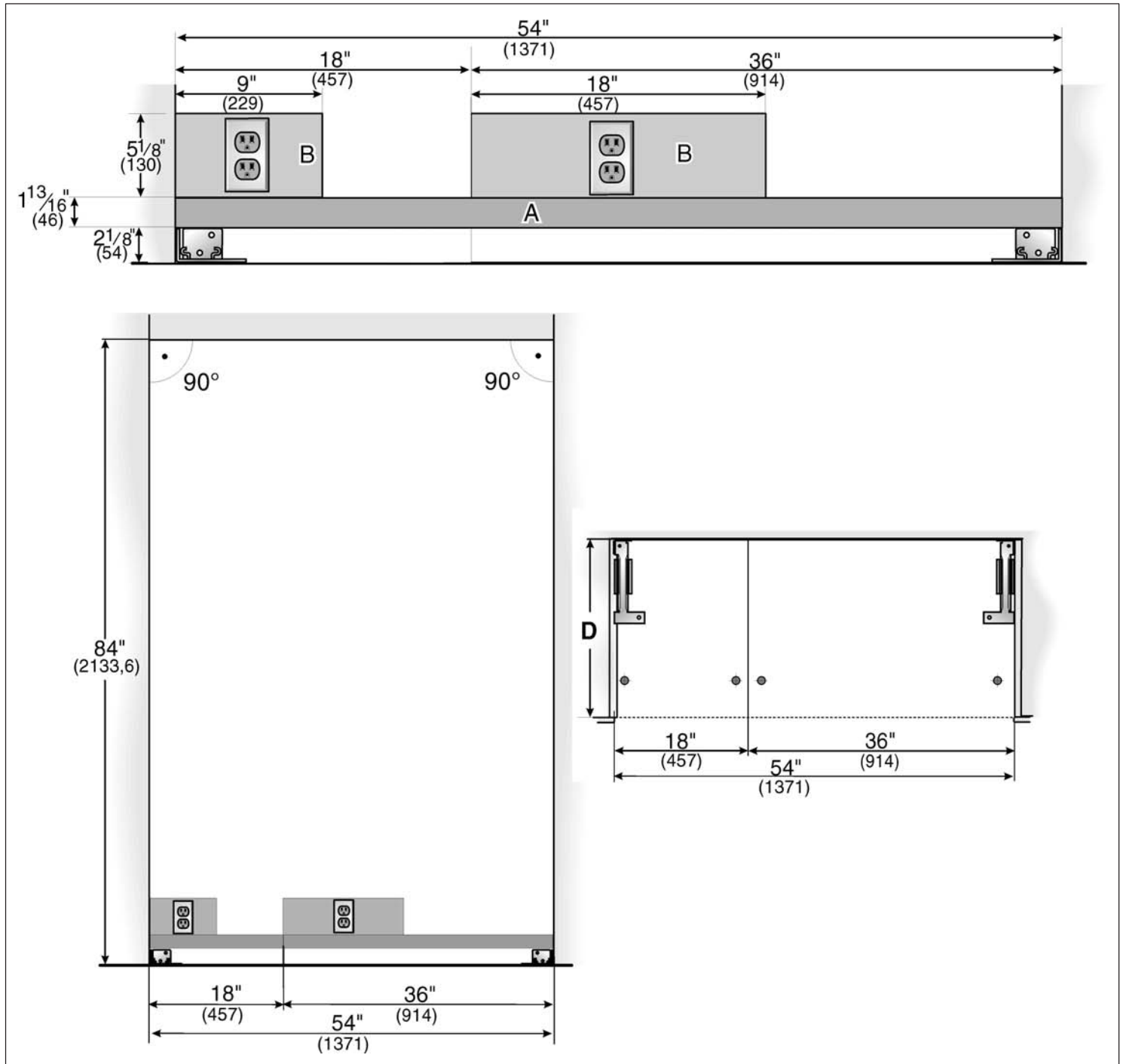
Side-by-Side installation

The cavity dimensions indicated above for the respective appliance apply to a Side-by-Side installation of two appliances.

The total width of the cavity results from the addition of the cavity widths indicated for the two appliances.

Example:

Freezer 18" / Bottom Mount appliance 36"

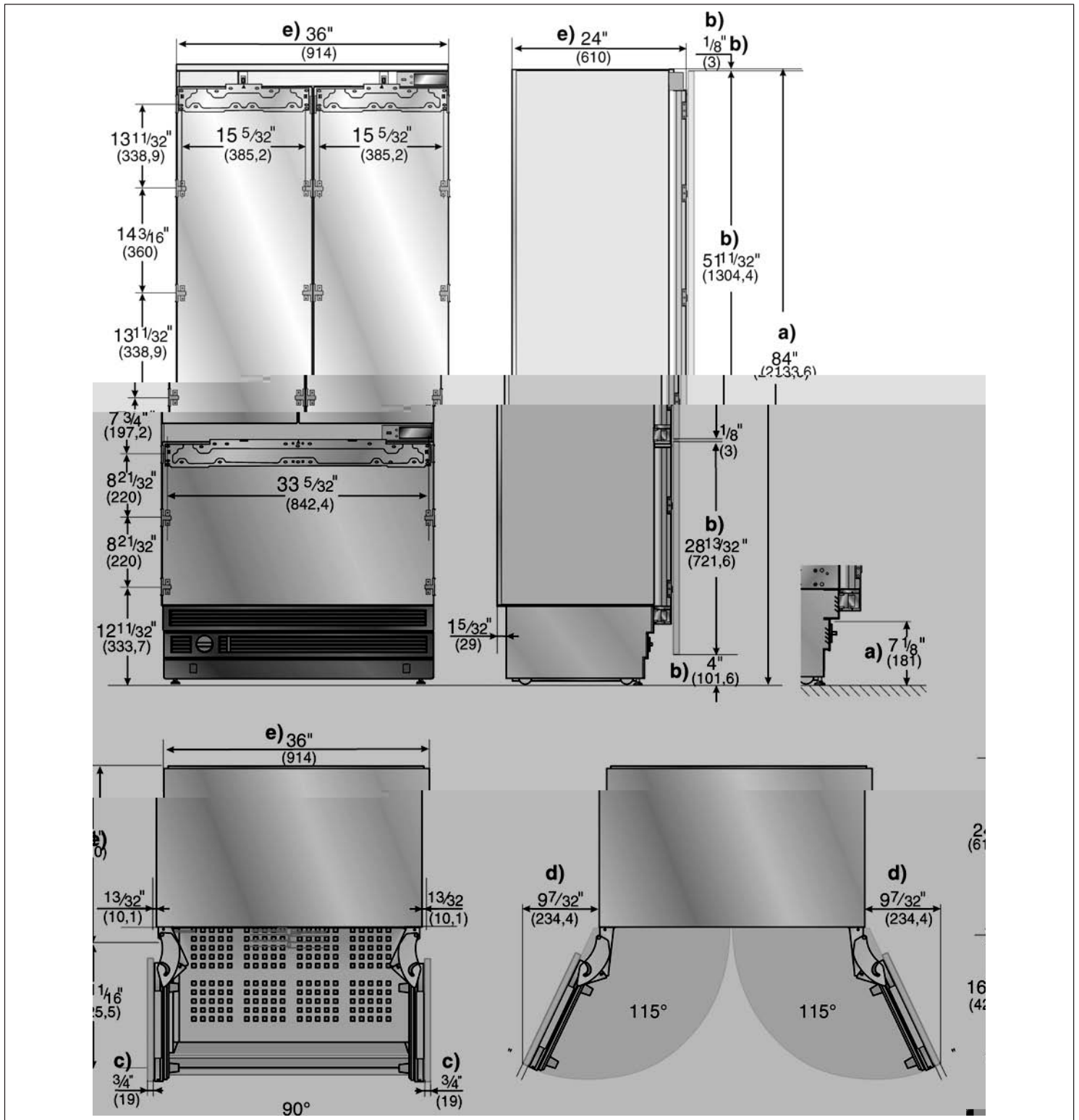


Legend:

- A Area for installation of the power connection
- B Area for installation of the water connection
- D Opening depth of niche, depending on kitchen design
(see DESIGN GUIDE)
D = 24" (610 mm) minimum

NOTE: Cavity must be square.
Side wall of the cavity must be flush.

Appliance dimensions



Legend:

- a) Adjustment in levelling legs $+1\frac{3}{8}"$ (35 mm) / $-1\frac{1}{2}"$ (13 mm).
- b) Dimensions may vary.
- c) Thickness of door panel may vary.
- d) This dimension may vary depending on installation, panel thickness and kitchen hardware.

e) Unit dimensions

Note: One design of the wooden panel displayed. For further information about the different styles check the DESIGN GUIDE.

Required accessories and tools

1. Supplied accessories

- Installation instructions
- Operating instructions
- Installation kit

2. Optional accessories

Basic Combination Side-by-Side Sealing kit “BSEALKIT10”

For permanent connection of two individual appliances, e. g. Freezer next to Refrigerator.

Extreme Combination Side-by-Side Heating kit “XHEATKIT10”

- If the gap between the appliances is less than 6” (160 mm).
- For permanent connection of two appliances with a freezing function, e. g. Freezer or Bottom Mount appliance next to Freezer.

Extra long finger protection part

Panel unification part “FPCONNTS10” (Metal strip)

For connection of two furniture doors.

3. Other required accessories from specialist outlets

Ice maker installation kit ¼” OD copper line

For connecting appliances which require water, e.g. for an ice maker.

- i** Maximum outer diameter of the water pipe (without fittings): $1\frac{3}{32}$ ” (10 mm).

4. Tools

- Cordless screwdriver T20
- Torx screwdriver T20
- Torx bit T20 + magnetic holder
- $\frac{5}{16}$ ” (8 mm) hex nut driver
- Wood drills in different sizes
- Open end wrench ½” (SW 13 mm)
- Multigrip pliers
- Adjustable wrench

- Cutter with adjustable blade
- Metal tape measure
- Square
- Spirit level length 2’ (60 cm) and 4’ (1,2 m)
- Marking-out level, length at least 4’ (1.2 m) for individual appliances or 7’ (2.0 m) for Side-by-Side installation

5. Other

- Stepladder
- Dolly, hand truck
- Hammer drill for drilling holes in wall or floor
- Bits according suitable for material and in different sizes
- Wooden beam (cross section min. 3” x 4” (75 cm x 100 cm) as an alternative tilt protection, length according to the width of the installation cavity
- Wooden screws in different sizes
- Thin (max. $\frac{1}{16}$ ” (1.5 mm)), suitable material to protect the floor from damage (e.g. lino)
- Suitable material for covering and protecting furniture (e.g. protective sheets)
- Adhesive tape

Installation instructions

1. Checking the installation cavity



CAUTION



To ensure a safe, trouble-free installation and an optimum overall view of the subsequent furniture front, thoroughly check that the installation cavity complies with the installation requirements.

Before starting the installation, check that the installation cavity complies with all requirements for a safe and trouble-free installation.

- ❑ Check the base.

Follow the instructions in the section on “Installation location” on page 6.

- ❑ Check the dimensions of the cavity.
- ❑ Check that the cavity is square.
- ❑ Check location of the socket.

Also follow the instructions in the section on “Connecting the power” on page 7 and in the section on “Installation dimensions” on page 8.

- ❑ Check location of the water connection.
(only for appliances with ice maker)

Also follow the instructions in the section on “Connecting the water” on page 7.

- ❑ Check attachment of the adjacent furniture/fixtures. All furniture parts in the vicinity of the appliance must be connected securely to the wall.
- ❑ Check that adjacent furniture/fixtures do not collide (door opening angle).

2. Removing the packaging



WARNING

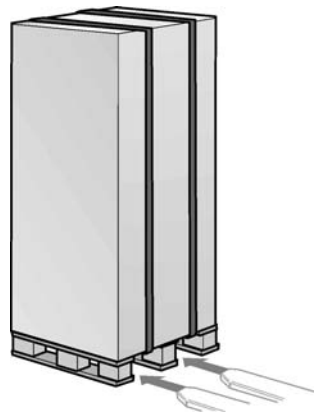


- The appliance may tip over while it is being unpacked.
- The appliance is very heavy.
- When opening the appliance door, the appliance may tip forwards.

Be careful, otherwise people who are helping may be injured or the appliance may be damaged.

To protect the base from damage during installation:

- ❑ Attach a residual piece of carpet, lino, etc. to the floor with adhesive tape in front of the intended installation location.



- ❑ Move the appliance with a hand truck securely.
- ❑ Remove transportation packaging:
 - Remove the carton. Use the cutter securely to protect the surface of appliance.
 - Take supplied accessories out of protection parts of packaging.



CAUTION



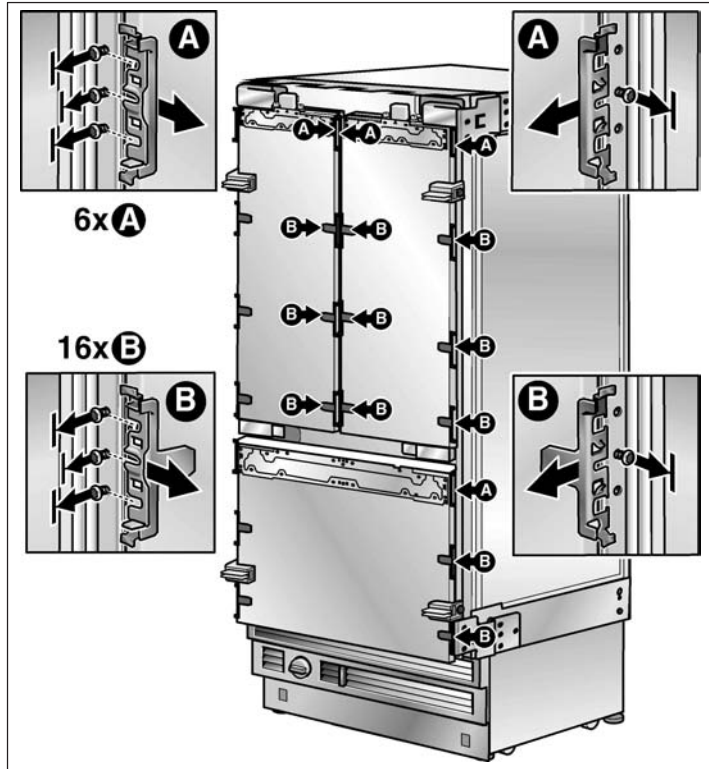
Do not remove transportation safety devices which protect the shelves and storage compartments inside the appliance until the installation is complete, otherwise the parts may be damaged.

- ❑ Check appliance for damage in transit.

Do not install the appliance if it is visibly damaged. If in doubt, contact your dealer.

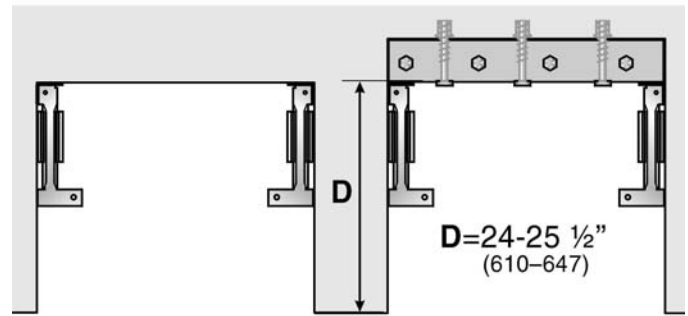
3. Preparing the appliance

- ❑ Remove the side brackets and fixing plates which attach the furniture fronts. To do this, loosen the fastening screws and remove the stop parts.
- i** Store the stop parts in suitable receptacles, otherwise they may get lost.



4. Preparing the installation cavity

- i** 2 anti-tip-brackets are required for each appliance or appliance combination (Side-by-Side).
- ❑ Specify the attachment points of the anti-tip-brackets. Specify the detailed dimensions according to the section on "Installation dimensions" starting on page 8.



- ❑ If the installation cavity is deeper than the appliance, place a solid wooden beam behind the anti-tip-brackets and attach securely to the base or the wall. The length of the wooden beam is equal to the width of the installation cavity!

! IMPORTANT NOTE !

If possible, always screw the wooden beam to existing studs on the rear panel of the cavity. In some installations the sub-flooring or finished floor may necessitate angling the wood screws used to fasten the anti-tip-brackets to the back wall.

- i** Important information for secure attachment of the anti-tip brackets:
 - The supplied set contains fastening screws for various applications. Select the fastening screws according to the local conditions.
 - If the supplied fastening screws do not permit secure attachment of the anti-tip brackets and therefore the appliance, another method must be used to attach the anti-tip brackets securely.

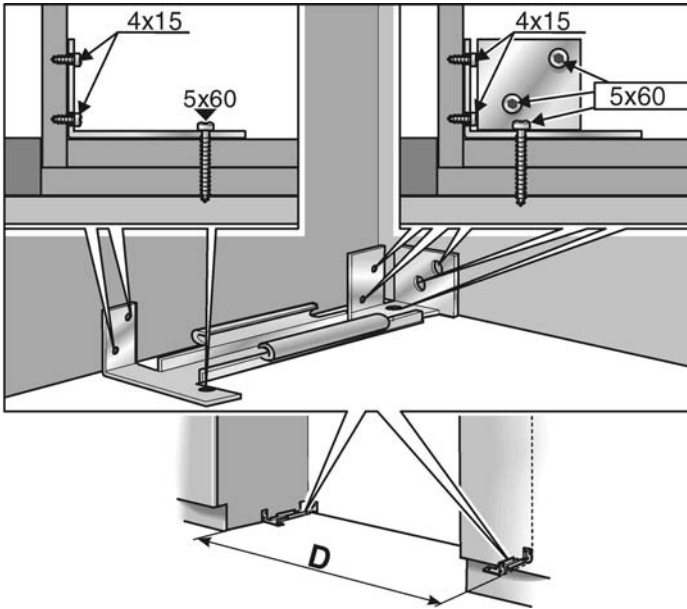
⚠ WARNING ⚠

Assure that there are no electrical wires or plumbing in the area which the screws could penetrate – risk of injury and damage!

Wood floor application

Use the (5 x 60 mm) and (4 x 15 mm) wooden screws provided.

- ❑ Drill pilot holes:
 - 1/8" (3 mm) for the (5 x 60 mm) wooden screws
 - 5/64" (2 mm) for the (4 x 15 mm) wooden screws
 Being certain the screws penetrate through the flooring and into the wall plate a minimum of 3/4" (19 mm).
- ❑ Attach the anti-tip-bracket completely. Be sure screws hold tight.



- i** The distance **D** between the anti-tip-brackets is adequately the width of the appliance.

Concrete floor applications



CAUTION



Always wear safety glasses and other necessary protective devices or apparel when installing or working with anchors – risk of injury!

Not recommended for use in light-weight masonry material such as block or brick.

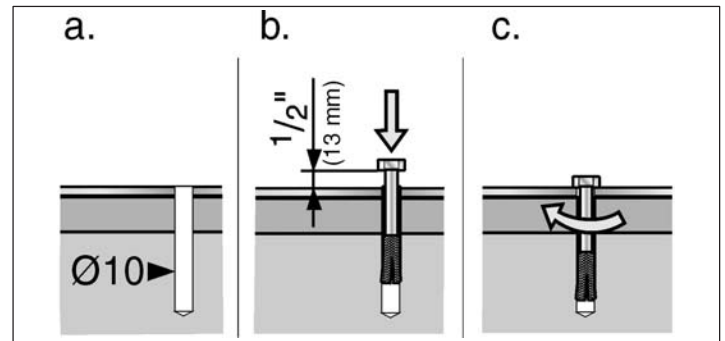
Not recommended for use in new concrete which has not had time to cure.

Do not use core drills to drill holes for this anchor.

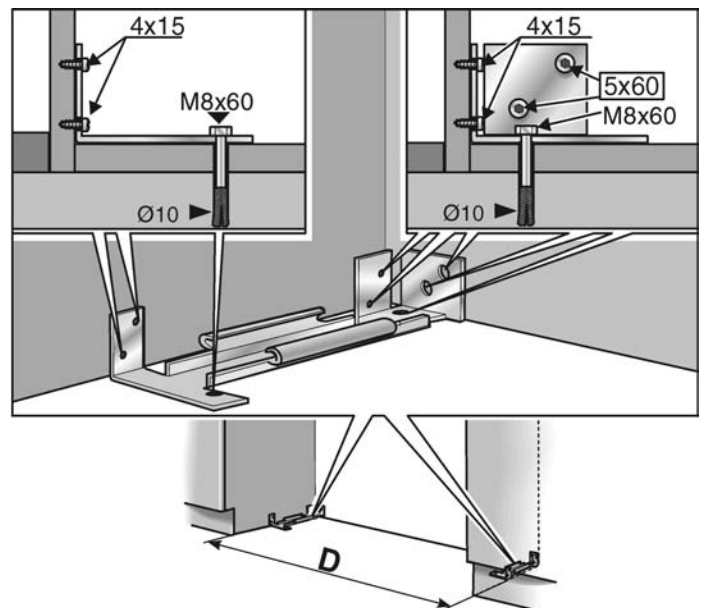
Use concrete anchor M8 and M8 screw. Additional use the (5x60 mm) and (4x15 mm) wooden screws provided.

- ❑ Drill a 10 mm diameter hole any depth exceeding the minimum embedment. Use the provided drill.

- ❑ Clean hole or continue drilling additional depth.



- ❑ Manually insert the screw into the wall plug until the screw begins to resist.
- ❑ Knock the wall plug and screw into the hole until the screw head is approx. 1/2" (13 mm) from the anti-tip bracket.



- i** The distance **D** between the anti-tip-brackets is adequately the width of the appliance.

5. Attaching an alternative anti-tip device

! IMPORTANT NOTE !

If possible, always screw the wooden beam to existing studs on the rear panel of the cavity.

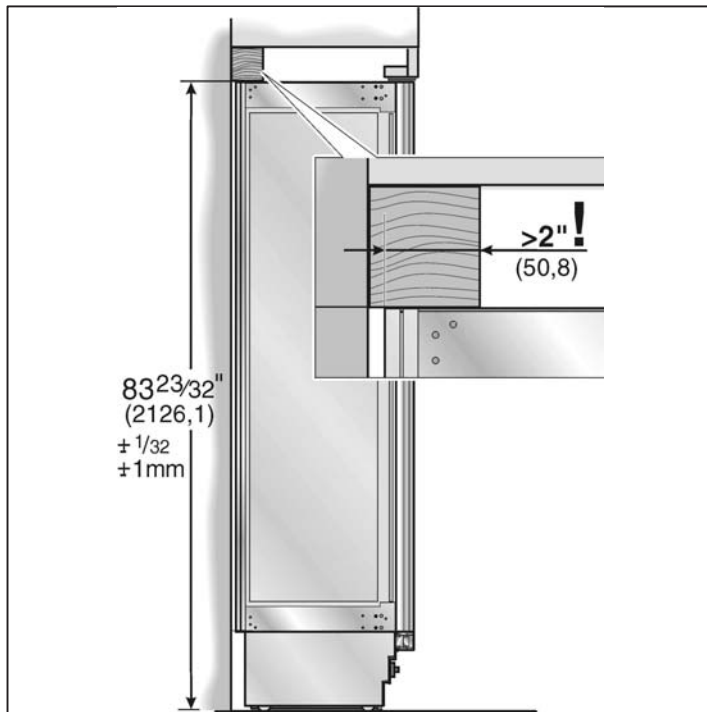
If the anti-tip brackets cannot be attached securely, an alternative anti-tip device can be attached. However, ensure that there is no play between the appliance and the anti-tip device.

- ❑ Saw the wooden beam (cross section min. 3" x 4" (75 mm x 100 mm)) to the required length.

Length is equal to the width of the installation cavity!

i Note

- If the installation cavity is deeper than the appliance, select a beam which has a larger cross section or attach 2 beams.
- The beam must cover the appliance by at least 2" (50.8 mm).



- ❑ Mark the installation height (lower edge of the beam) on the rear panel of the cavity.
- ❑ Select screws according to the thickness of the wooden beam: length = min. 2.5 x beam thickness, diameter #12 or #14.

- i** Specify the number of screws according to the cavity width, thereby ensuring that the beam can be attached securely.

- ❑ Locate wall studs near the rear panel of the cavity and mark drill holes in the beam.
- ❑ Predrill the wooden beam.
- ❑ Attach the wooden beam to the rear panel of the cavity.

6. Preparing to connect the water

(only for appliances which require a water connection)

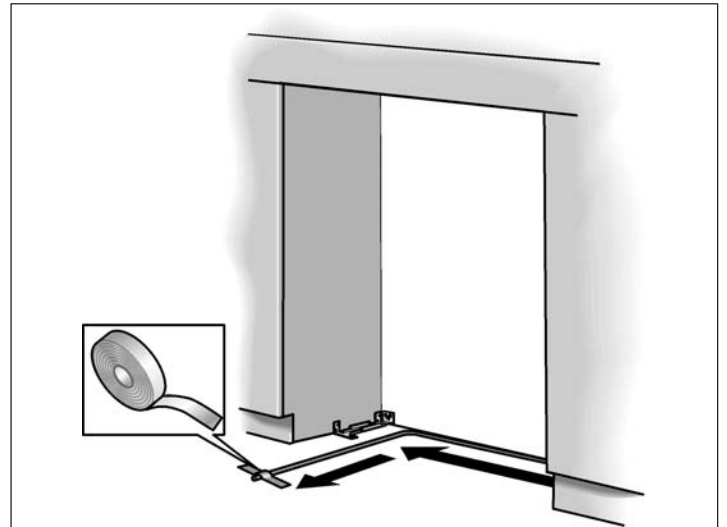


CAUTION



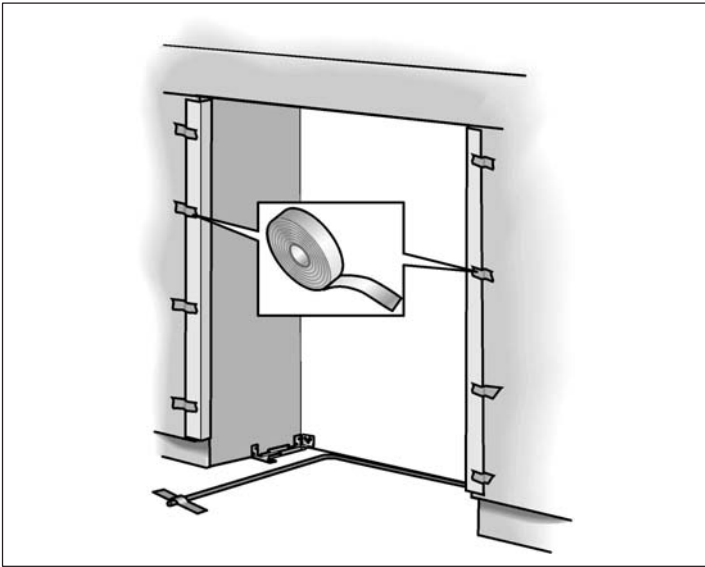
Turn off the main water tap to prevent damage caused by leaking water.

- ❑ Attach the connecting pipe to the shut-off valve according to the instructions supplied by the manufacturer of the ice maker installation kit.
- ❑ Install the connecting pipe. Always observe the indicated gap dimensions to prevent damage to the connecting pipe when pushing in the appliance.



- ❑ Attach the connecting pipe to the floor with adhesive tape.

7. Attaching the edge protection

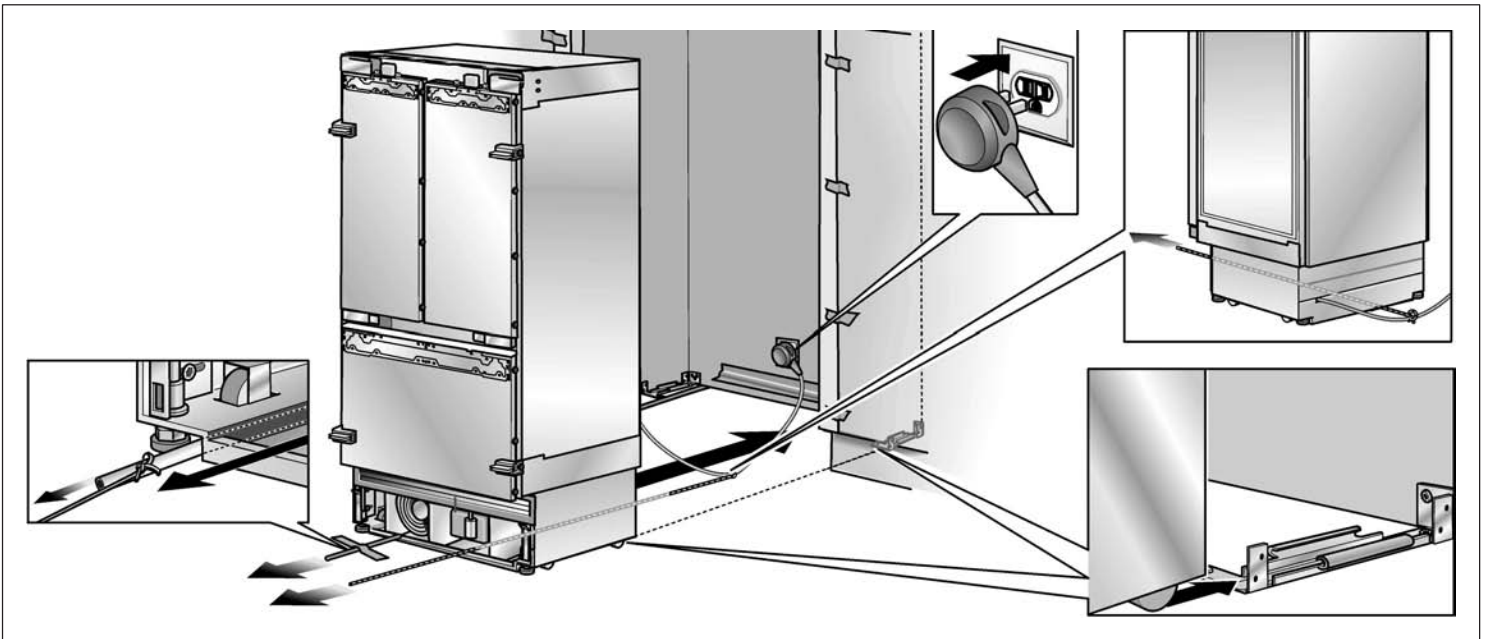


- ❑ To protect the corners of the installation cavity, attach the supplied protective brackets with adhesive tape.

8. Side-by-Side installation

- i** If a side-by-side installation is intended, now connect the two appliances together. See the Installation Manual for the Side-by-Side kits.

9. Pushing the appliance into the installation cavity



- ❑ Put the mains plug into the socket.
- i** In the case of Side-by-Side appliances a separate socket must be used for each appliance.



CAUTION



Caution when pushing the appliance into the installation cavity. Do not damage the water pipe or power cord attached to the floor.

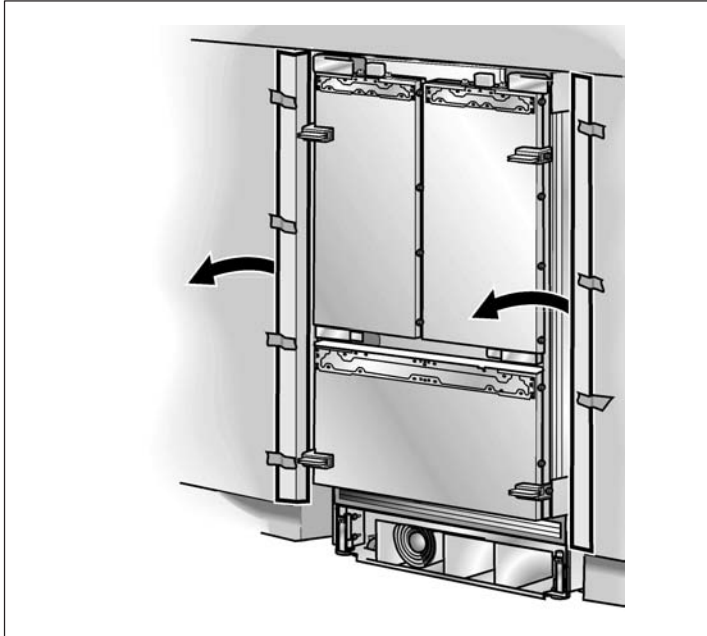
- i** When the floor or the appliance is tilted in comparison to the installation cavity adjust height adjustable wheels before you move the appliance into the installation cavity.

- ❑ Prevent the power cord from becoming caught.
Tie a piece of string to the middle of the power cord and feed forwards under the appliance. When pushing in the appliance, pull the cable forwards.

or

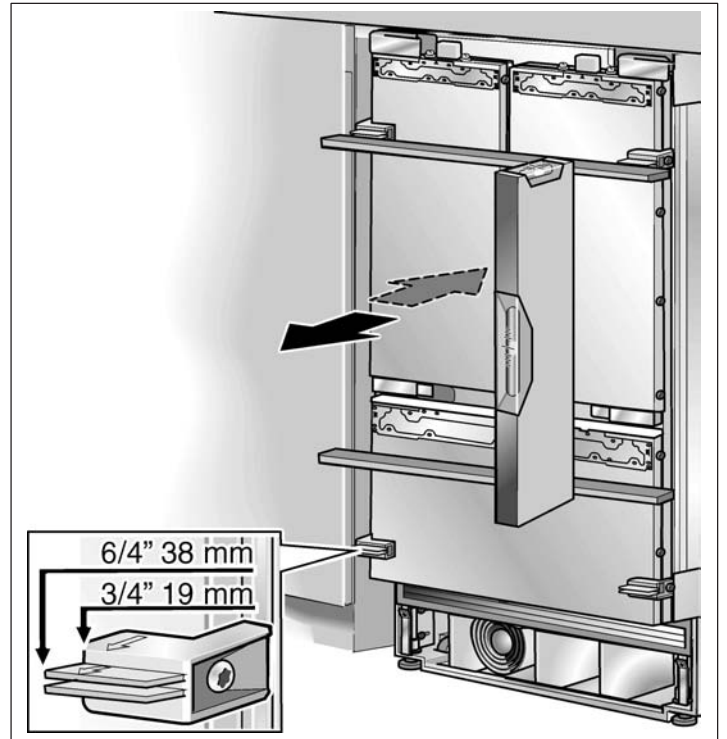
Using adhesive tape, stick the power cord to the floor centrally behind the appliance approx. 15" (380 mm) away from the rear panel of the cavity.

- ❑ Carefully push the appliance into the cavity until the height-adjustable wheel interlock with the anti-tip brackets.



- ❑ Remove edge protection.

10. Installing and aligning the appliance



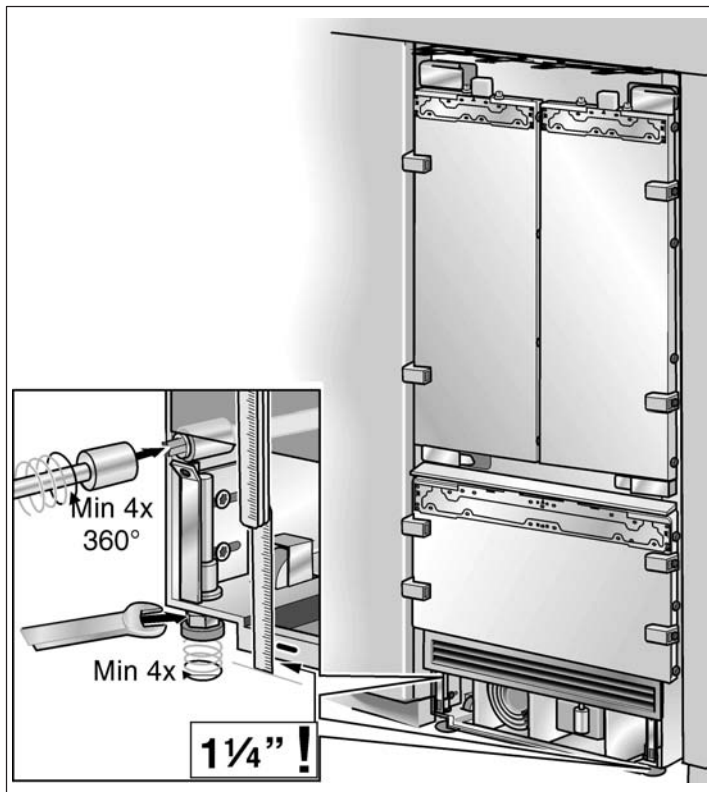
- ❑ Align the appliance with the furniture fronts.
Place marking-out level over the installation aid parts on the door.
- i** The installation aid parts on the door have been designed for the following total thickness of furniture doors:
 - 3/4" (19 mm)
 - 1 1/2" (38 mm)
 Always take account of the possible differing thickness of the furniture fronts which are to be fitted subsequently.

The height-adjustable feet at the front and rear can all be adjusted from the front.

Front: with open-ended wrench 1/2" (SW13)

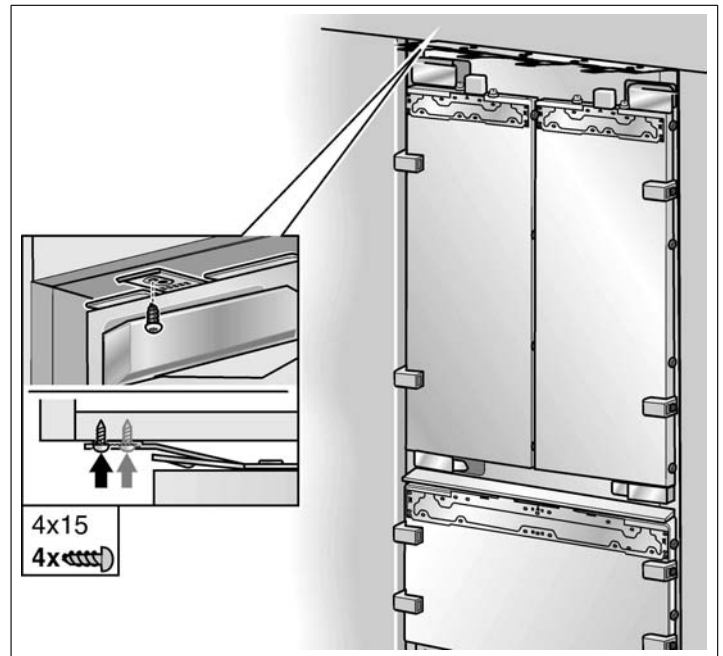
Rear: with 5/16" (8 mm) hex nut driver via flexible shaft.

A mark is attached to the appliance base and is used as a standard gage for height adjustment. When adjusting the height, align this mark at a height of 1 1/4" (32 mm) above the floor.

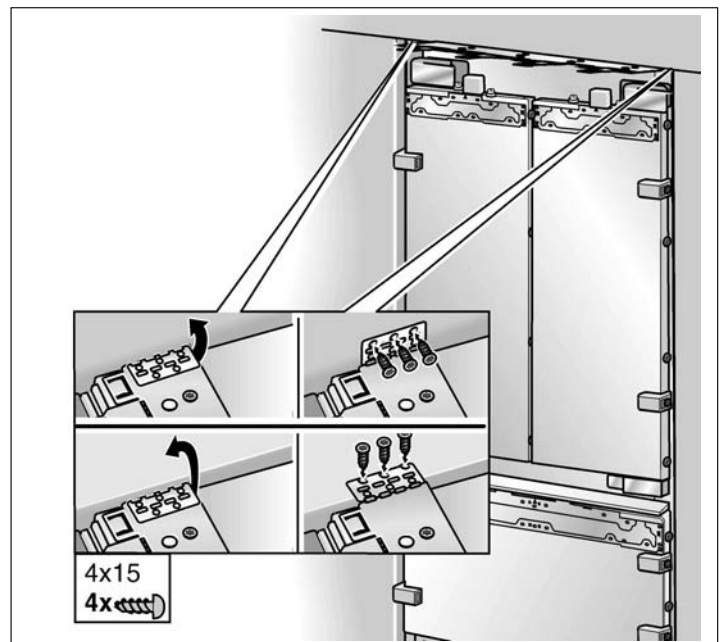


- ❑ Unscrew the height-adjustable feet until the mark on the base has reached the indicated guide dimension (1 1/4" / 32 mm).
- i** It is very important to comply with this dimension for the subsequent alignment of the furniture fronts.
- ❑ Align the furniture fronts with the spirit level.
- i** Note:
 - Do not twist or jam the appliance inside the cavity! When unscrewing the height-adjustable feet, proceed gradually: Always alternate between left and right, left and right, etc..
 - The adjustment of the rear feet is facilitated if the appliance is unloaded at the rear.
 - If using a wooden beam as an alternative anti-tip device according to point 5 of this installation manual, rotate the appliance all the way towards the wooden beam.

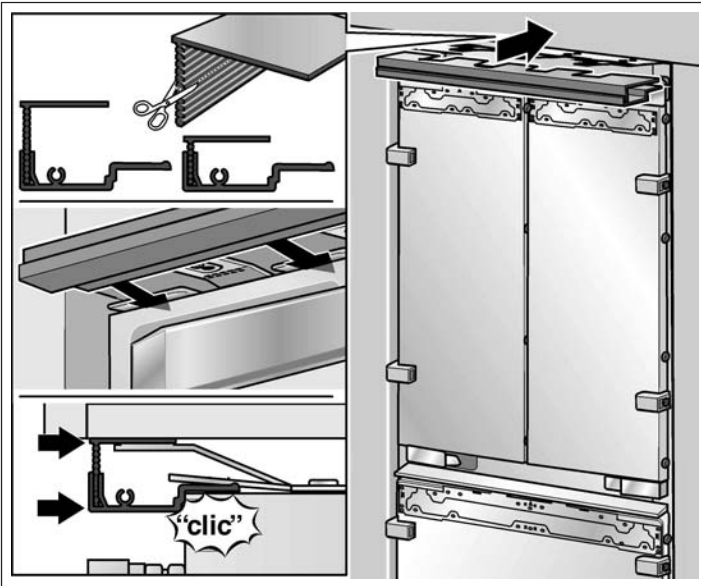
11. Attaching the appliance to the top of the cavity



- ❑ Screw the attachment plate lugs (top) to the overhead furniture/fixtures.

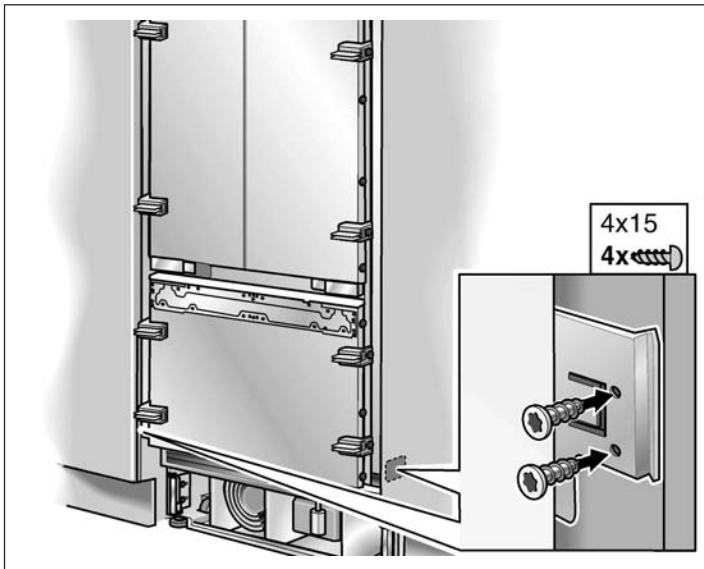


- ❑ Fix the attachment plate side lugs (top) depending on the installation situation. If there is no gap or only a slight gap, it is not necessary to fix the side lugs.
- ❑ If there is a fairly large gap above the appliance, fit a wooden beam above the appliance, ensuring that the wooden beam fits the gap exactly.



- ❑ Attach the cover strip to the attachment plate (top).
Shorten the fitting strip to the required height!

12. Attaching the individual appliance to the side of the cavity



- ❑ Screw the attachment plate lugs (side) to the adjacent furniture/fixtures (individual appliances only).

13. Connecting the water to the appliance

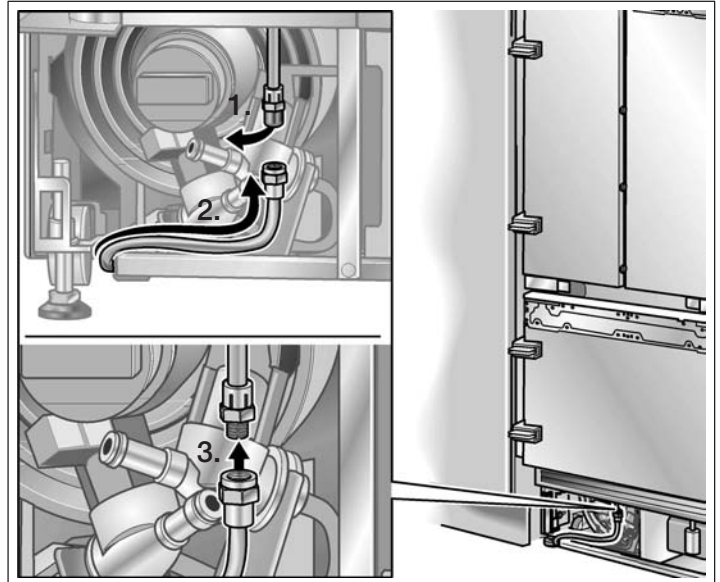
- i** When connecting the water pipe to the solenoid valve of the appliance, follow the instructions supplied by the manufacturer of the ice maker installation kit enclosed with the installation manual.



CAUTION



When bending the water pipe, do not kink it, otherwise there is a risk of leaks and water damage. Use bending aids.



- ❑ Remove the cap from the appliance connection ①.
- ❑ Bend the water pipe according to the location of the connection on the appliance ②.
- ❑ Push the union nut and seal onto the water pipe.
- ❑ Push the end of the water pipe into the appliance connection and screw on the union nut ③. Tighten hand-tight.
- ❑ Using the open-ended wrench, tighten the union nut. Do not overturn!
- ❑ Open the shut-off valve and main water tap. Check the connection on the shut-off valve and on the appliance for leaks.

14. Attaching the toe kick panel

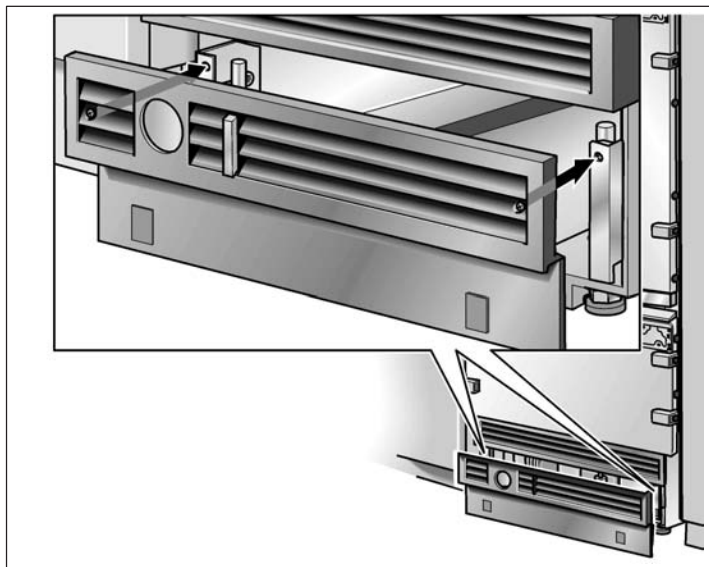


CAUTION

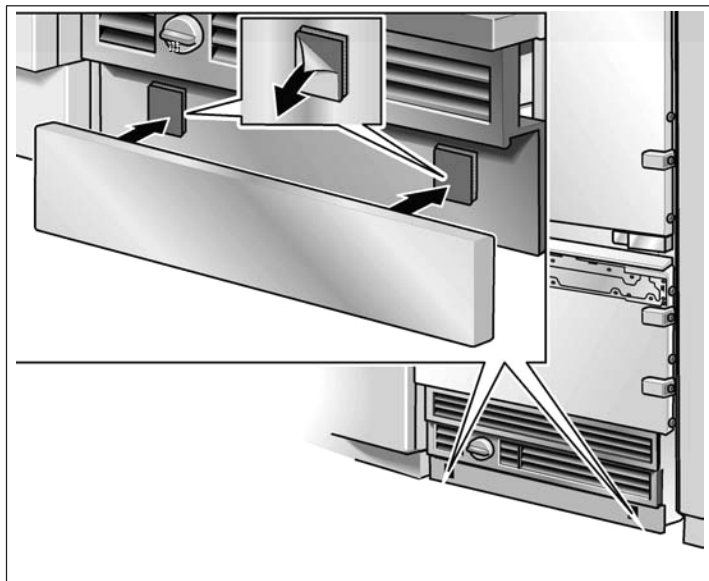


The maximum height of the toe kick panel is 4" from the top of the floor. Do not cover ventilation slots in the base panel. Risk of damage to the appliance.

- ❑ If required, cut the toe kick panel to the required length.

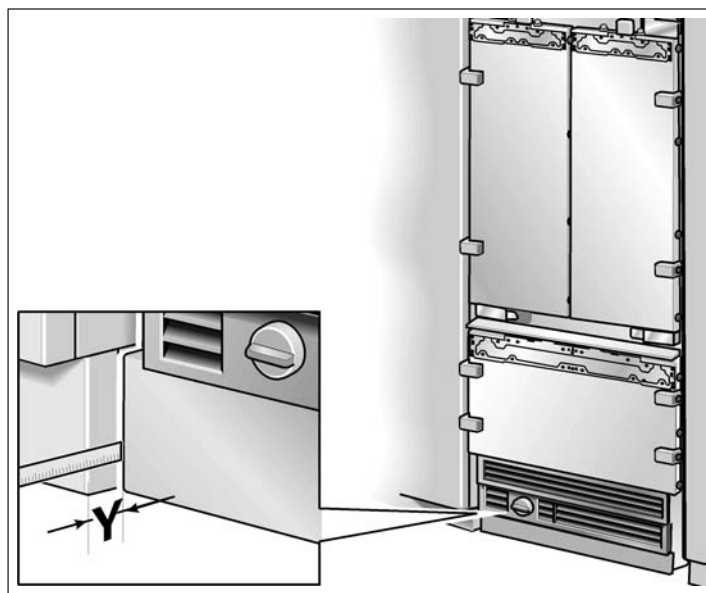


- ❑ Attach the base panel to the appliance.

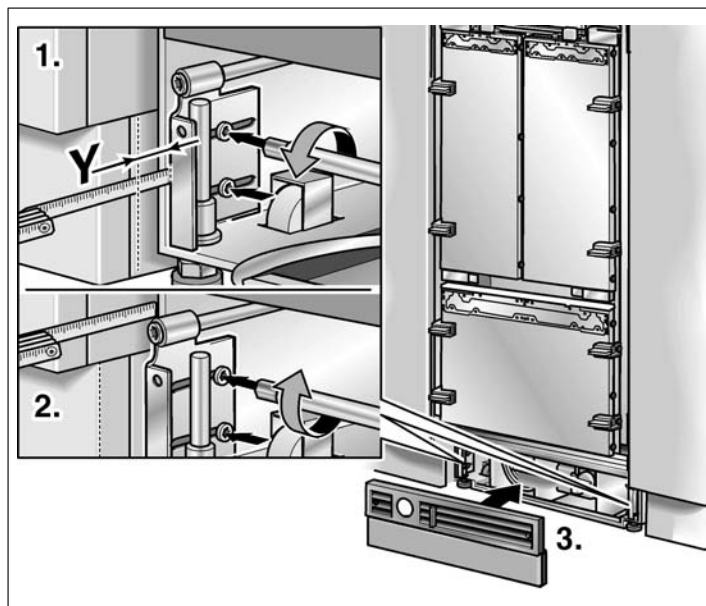


- ❑ Remove the protective film from the adhesive pads on the Velcro.

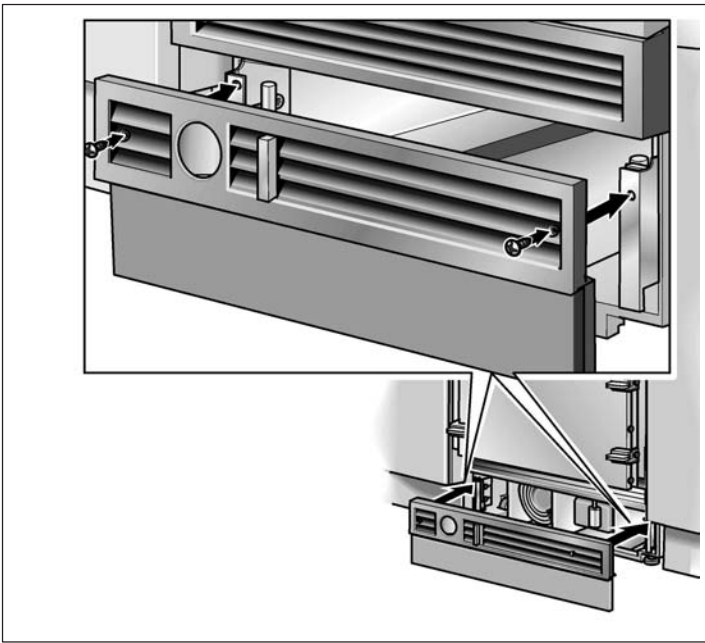
- ❑ Fit the toe kick panel to the base panel and press firmly into place.



- ❑ Put on the base panel (do not screw on) and measure the difference in depth Y between the base panel and toe kick panel of the adjacent furniture.
- ❑ Remove the base panel.
- ❑ Loosen the brackets for attaching the base panel and push in all the way.



- ❑ Pull out the brackets by the measured amount Y .
- ❑ Screw the brackets tightly.



□ Attach the base panel.

i If required, the toe kick panel can be screwed to the base panel. There are screw holes in the base panel near the Velcro.

15. Preparing the furniture doors

! IMPORTANT NOTE !

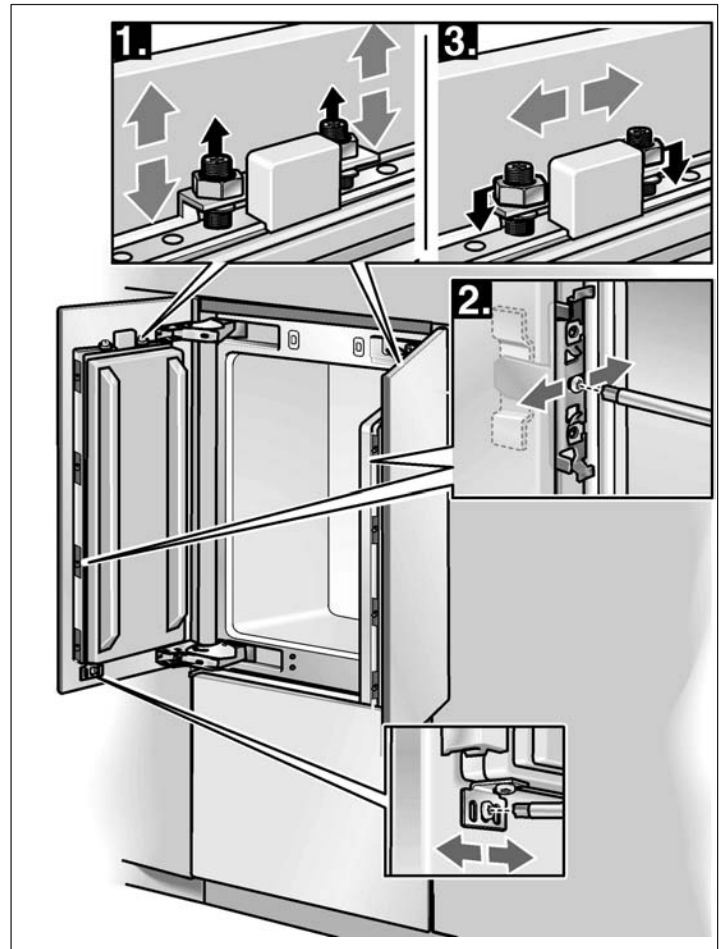
When performing any work on the furniture doors, always observe the following:

- Always screw into the best load-bearing material of the furniture door.
- Select a screw length which is always shorter than the thickness of the furniture front.
- To prevent damage, protect surfaces of the furniture doors during installation.

The total weight of the furniture front must not exceed the following values:

BM 36" (top, 2 doors)	26 lbs / 12 kg (per door)
BM 36" (bottom)	22 lbs / 10 kg

The furniture fronts are attached to the appliance door by means of fitting parts on the appliance. These fitting parts allow the furniture door to be adjusted precisely and attached securely to the appliance.

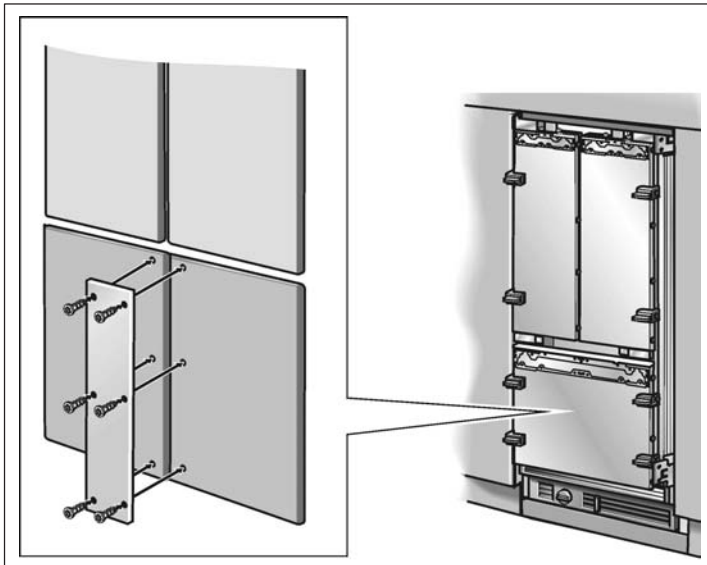


Function of different parts:

1. Double threaded bolt on the adjusting rail: for vertical adjustment of the furniture door.
2. Side brackets: for adjusting the depth of the furniture front.
3. Nuts on the double threaded bolt: for securing the furniture front to prevent lateral movement.
4. Lower brackets: for securing the furniture front to prevent lateral movement.

2 adjacent furniture doors can be attached instead of one large door. These furniture doors must be connected to a metal strip on the rear.

This metal strip can be purchased from customer service as an optional accessory, see the section on "Optional accessories" on page 11.



When attaching the metal strip to the furniture doors, observe the maximum possible length of the screws and the position of the drill holes. Always screw into the best load-bearing material of the furniture door.

i If only one furniture door is to be attached to the door of a 30" or 36" wide appliance, attach the supplied sandwich plate to the adjusting rail and lock into position.

16. Loading the appliance door

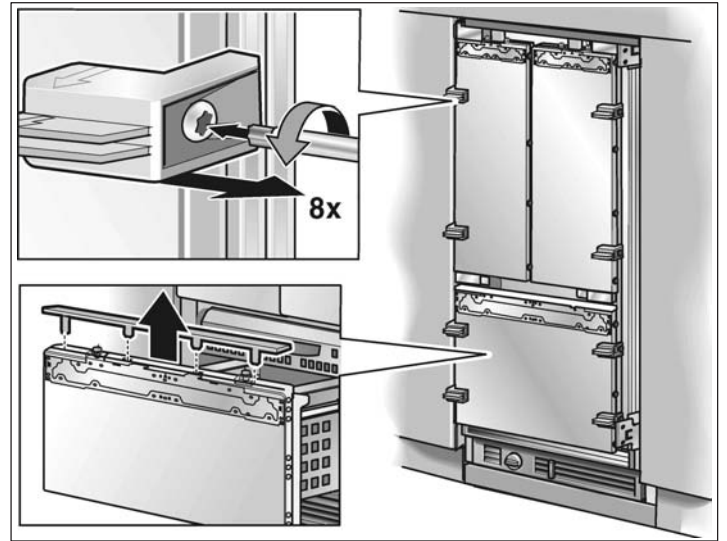
When attaching the furniture doors, it is recommended to load the door storage compartments in the appliance with weights in order to ensure that the gap width is as precise as possible.

Recommendations:

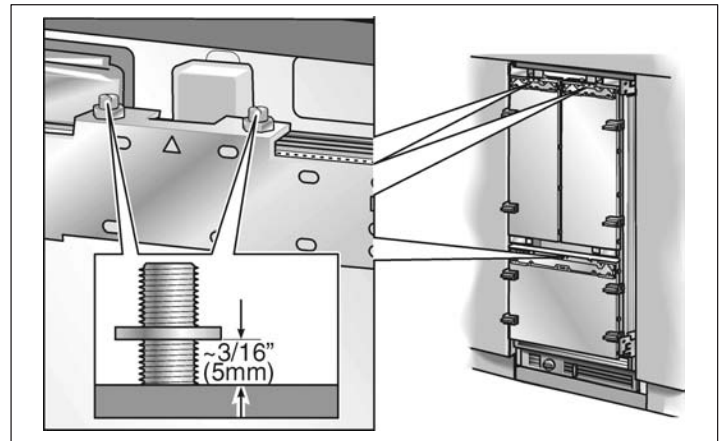
Refrigerator compartment	26 lbs / 12 kg (per door)
Freezer compartment	22 lbs / 10 kg

17. Attaching the adjusting rail to the furniture door (refrigerator compartment)

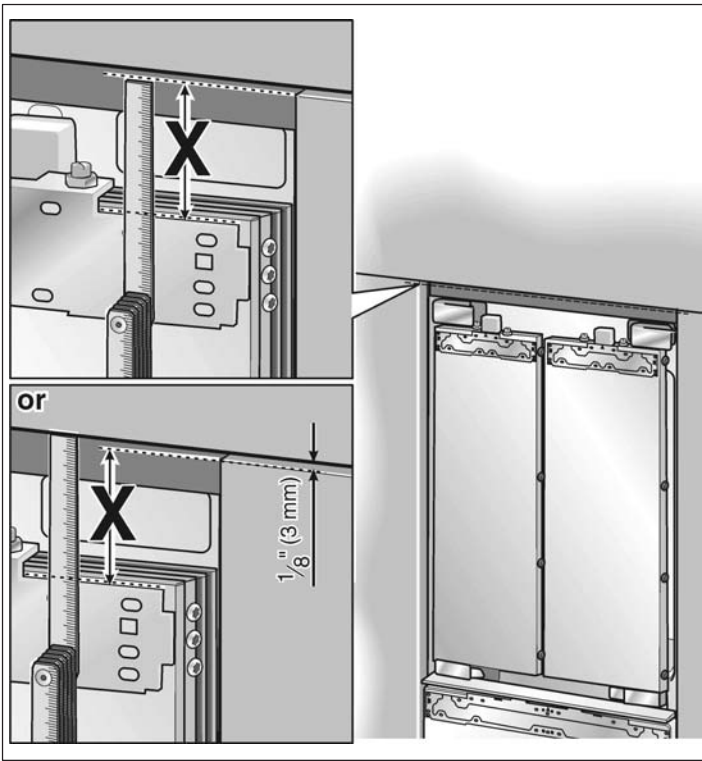
i The adjusting rail is the most important means of adjusting the furniture front.



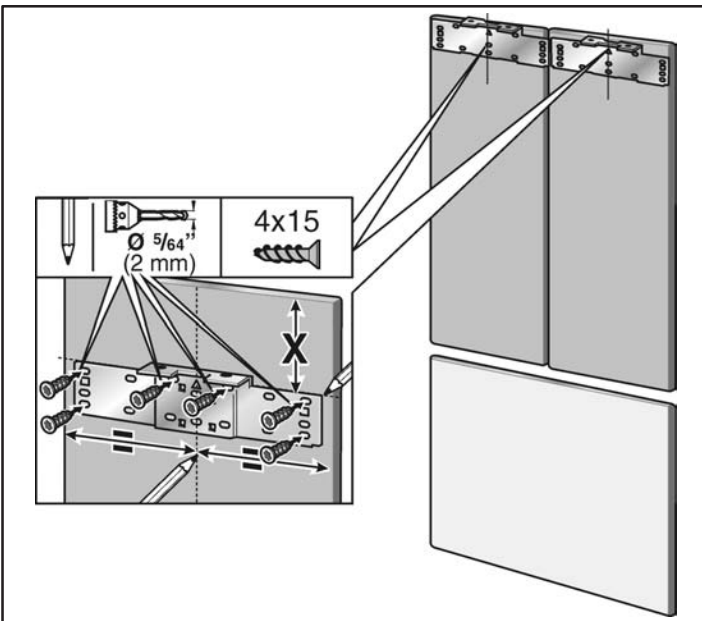
- Unscrew the installation support part from the appliance doors.
- Remove the cover plate from the freezer compartment door.



i Check the double threaded bolts on the adjusting rail. Both of them must project out of the door by $\frac{3}{16}$ " (5 mm).



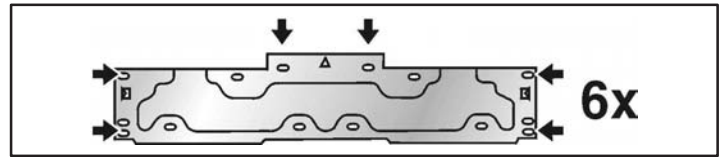
- ❑ Measure the distance **X** between the adjusting rail and the overhead furniture/fixtures.



- ❑ Mark this amount **X** on the rear of the furniture door.
- ❑ Determine and mark the centre of the furniture door.
- ❑ Loosen the 2 nuts and remove the adjusting rail.
- ❑ Put on the adjusting rail and align along the marks. Mark the drill holes.
- ❑ Drill the holes.
- ❑ Screw on the adjusting rail tightly.

i Note

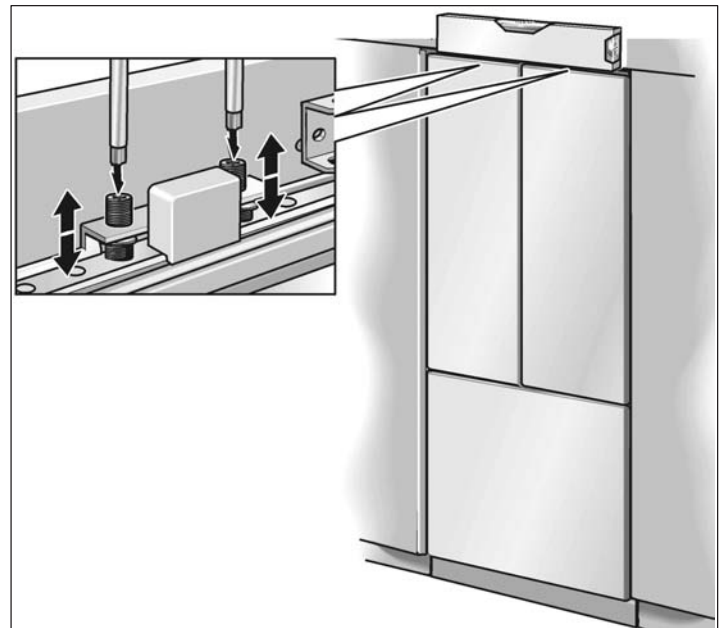
- Attach the adjusting rail to the furniture door with at least 6 screws. One screw should be inserted under each double threaded bolt.



- The adjusting rail features a variety of holes for the many different design options of furniture doors. Always screw into the best load-bearing material of the furniture door.

18. Attaching and aligning the furniture door (refrigerator compartment)

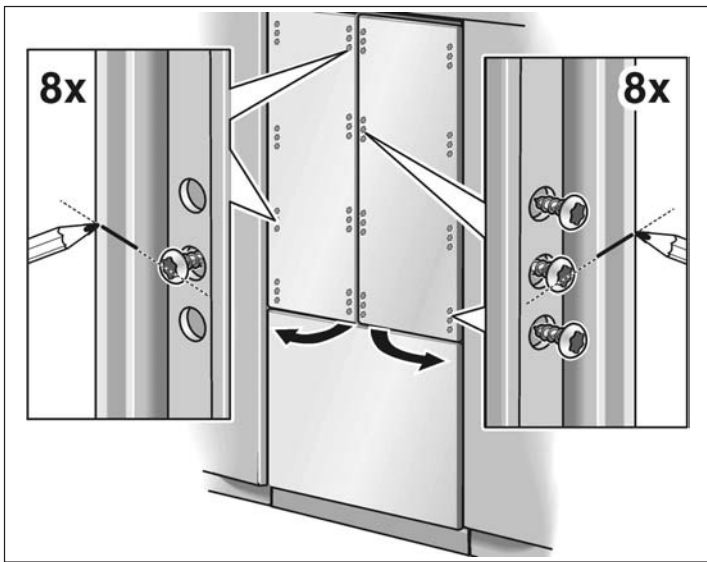
- i** The double threaded bolts are responsible for adjusting the height of the furniture front.
- ❑ Hang the furniture door on the double threaded bolt.



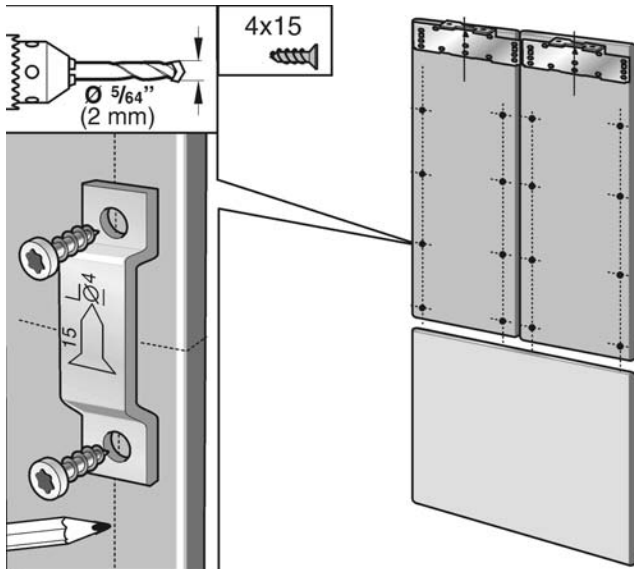
- ❑ Align the furniture door with the double threaded bolts (Torx screwdriver).

19. Attaching

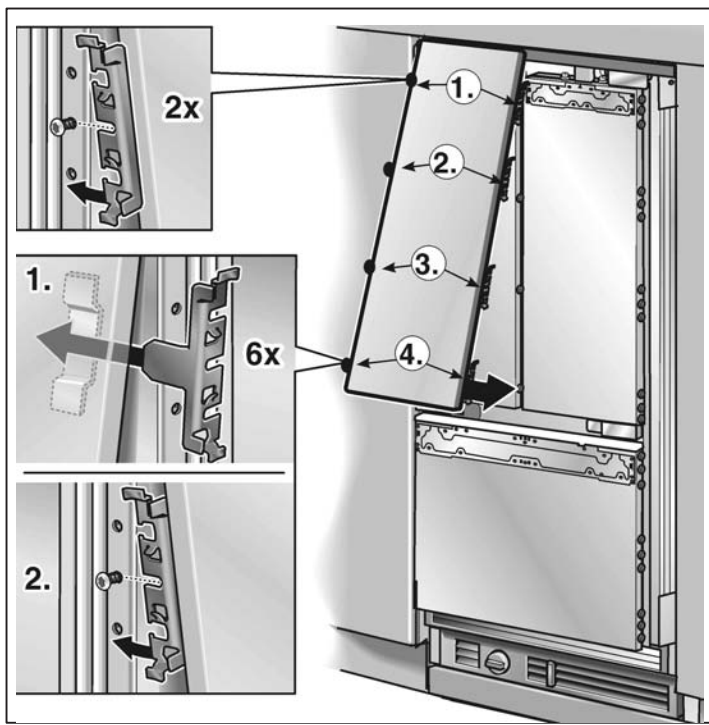
edC



- Transfer the middle drill holes along the outer edge of the appliance door to the furniture front and mark.
- Remove the furniture door.



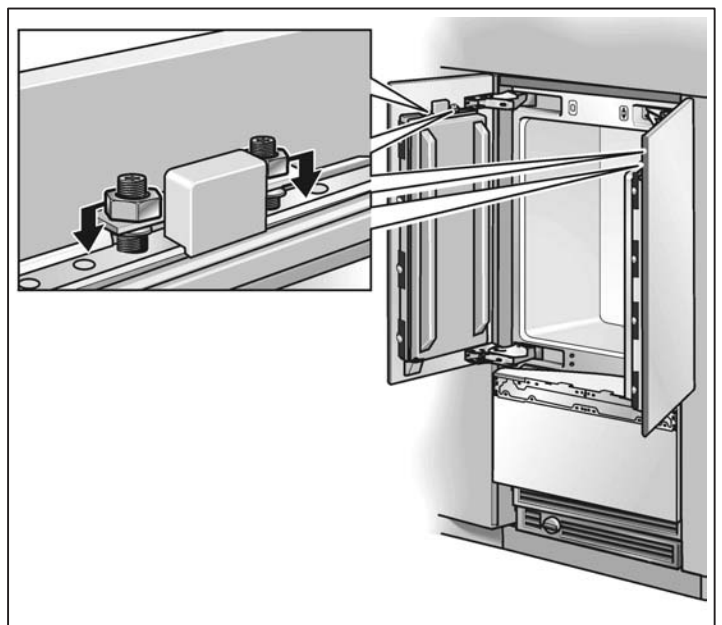
- Mark a vertical line under the outermost fixing holes in the adjusting rail.
- Using a square, extend the drill hole marks which you have just made to the vertical marks.
- Mark and drill the holes.
- Screw on the fixing plates (10x).



- ❑ Attach the bracket:
 - Lift the furniture door slightly away from the appliance door.
 - Push the side bracket on the left and right over the screws ①.
 - Insert the side bracket on the left and right into the fixing plate and slide over the screw ②. Slowly lower the door.

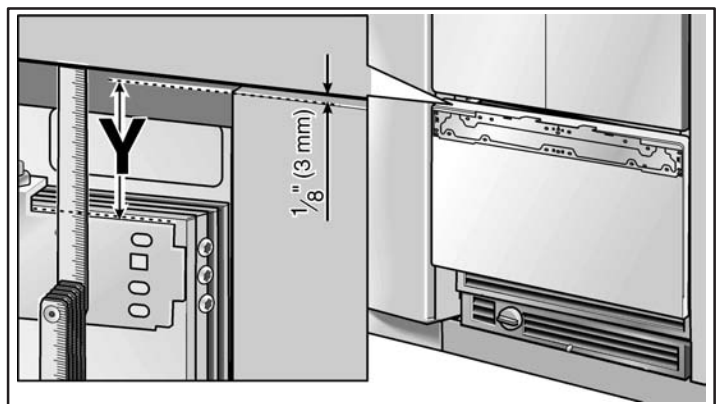
Continue the process until the last side brackets (④.) have been inserted into the fixing plates and are positioned on the screws.

- ❑ **i** The two upper brackets (①. – on the left and right) have no side piece for insertion into the fixing plate.
- ❑ Close the door and check that the depth of the furniture front is aligned with the adjacent fronts. If required, correct.
- ❑ Tighten the bracket screws to fix the depth alignment.
- ❑ Close the door and check the side alignment. Correct by gently tapping the edge of the open furniture door with your hand.

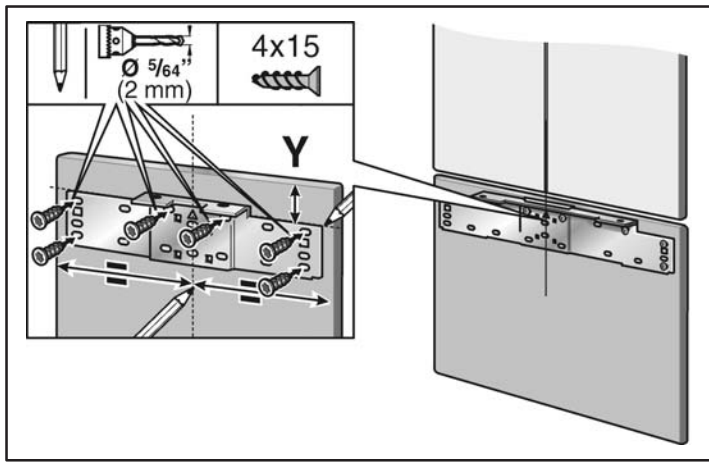


- ❑ Tighten the nuts on the adjusting rail. This will fix the side alignment of the door.

20. Attaching the adjusting rail (freezer compartment)



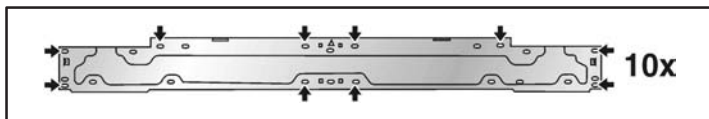
- ❑ Measure the distance **Y** between the adjusting rail and the upper doors.
- ❑ Loosen the 2 nuts and remove the adjusting rail.



- Mark this amount **Y** on the rear of the furniture door.
- Determine and mark the centre of the furniture door.
- Put on the adjusting rail and align along the marks. Mark the drill holes.
- Drill the holes.
- Screw on the adjusting rail tightly.

i Note

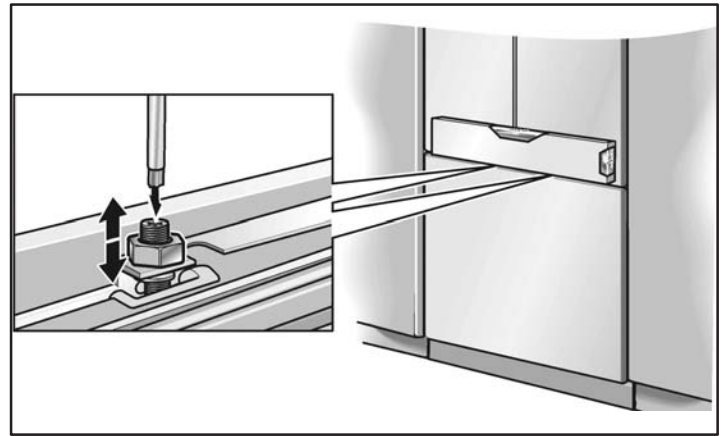
- Attach the adjusting rail to the furniture door with at least 10 screws. One screw should be inserted under each double threaded bolt.



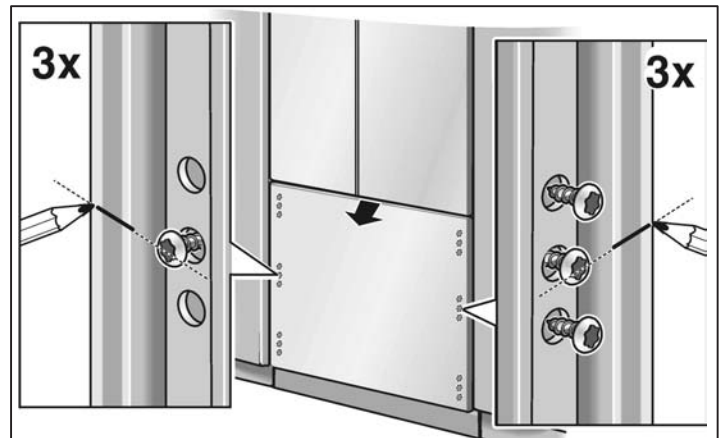
- The adjusting rail features a variety of holes for the many different design options of furniture doors. Always screw into the best load-bearing material of the furniture door.

21. Attaching and aligning the furniture door (freezer compartment)

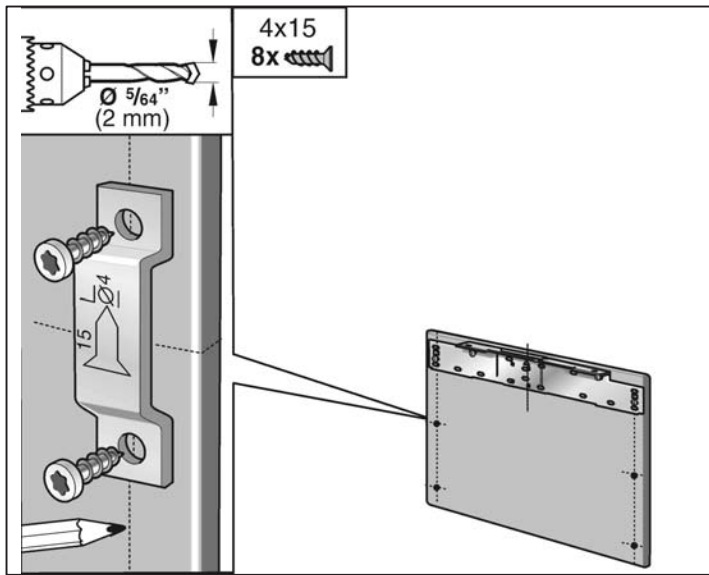
- i** The double threaded bolts are responsible for adjusting the height of the furniture front.
- Hang the furniture door on the double threaded bolt.



- Align the furniture door with the double threaded bolts (Torx screwdriver).



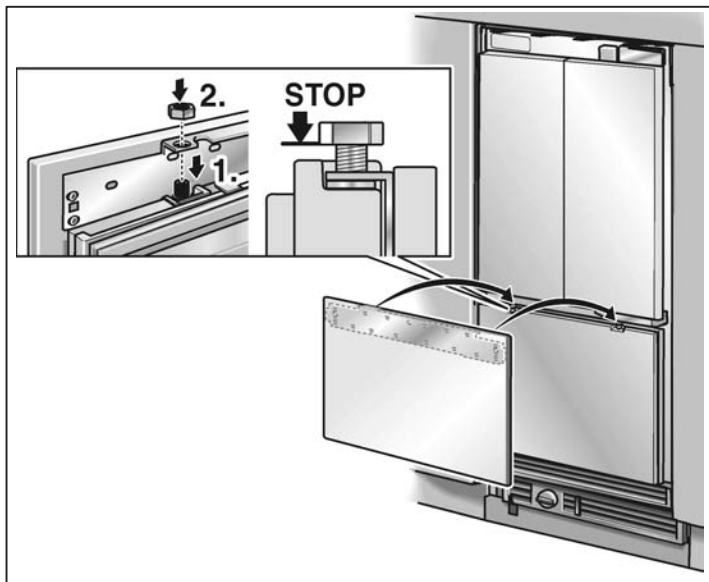
- Transfer the middle drill holes along the outer edge of the appliance door to the furniture front and mark.
- Remove the furniture door.



- ❑ Mark a vertical line under the outermost fixing holes in the adjusting rail.
- ❑ Using a square, extend the drill hole marks which you have just made to the vertical marks.
- ❑ Mark and drill the holes.
- ❑ Screw on the fixing plates (4x).

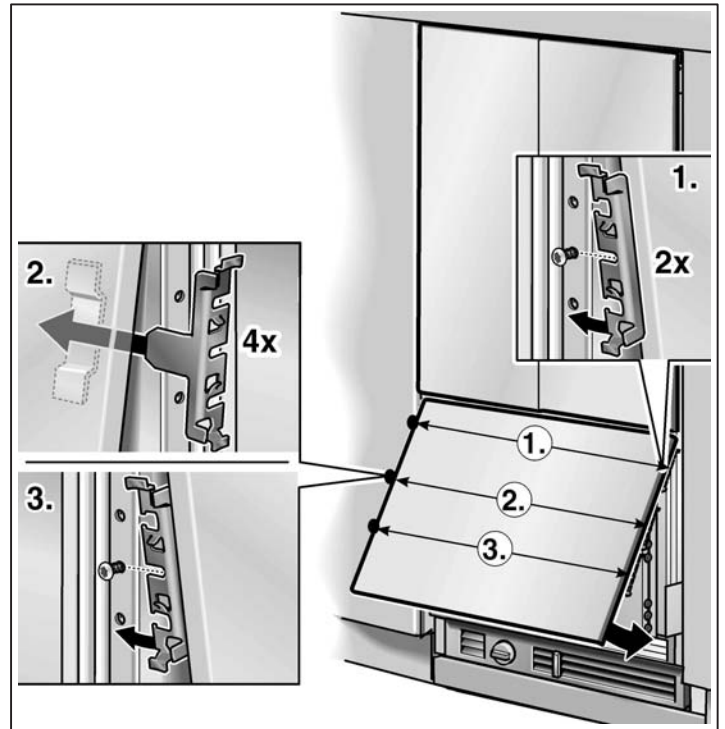
22. Attaching the furniture door (freezer compartment)

- i** Now fit the furniture handles which are screwed from behind!



- ❑ Hang the furniture door with adjusting rail over the double threaded bolts.

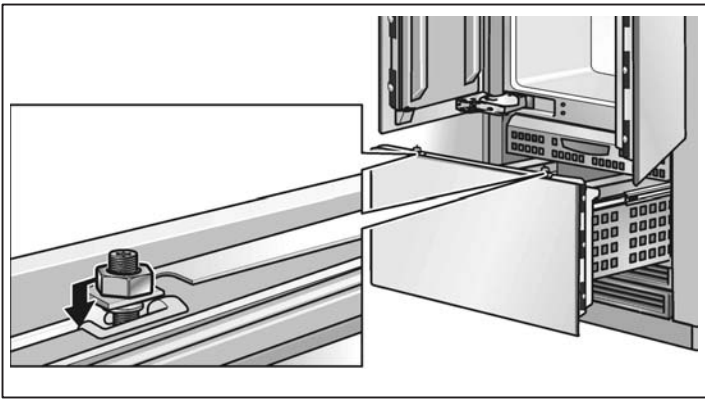
- ❑ Screw the nuts a little onto the double threaded bolts. Do not tighten!
- ❑ Precisely adjust the furniture door. Align the furniture door with the double threaded bolts (Torx screwdriver).



- ❑ Attach the bracket:
 - Lift the furniture door slightly away from the appliance door.
 - Push the side bracket on the left and right over the screws ①.
 - Insert the side bracket on the left and right into the fixing plate and slide over the screw ②. Slowly lower the door.

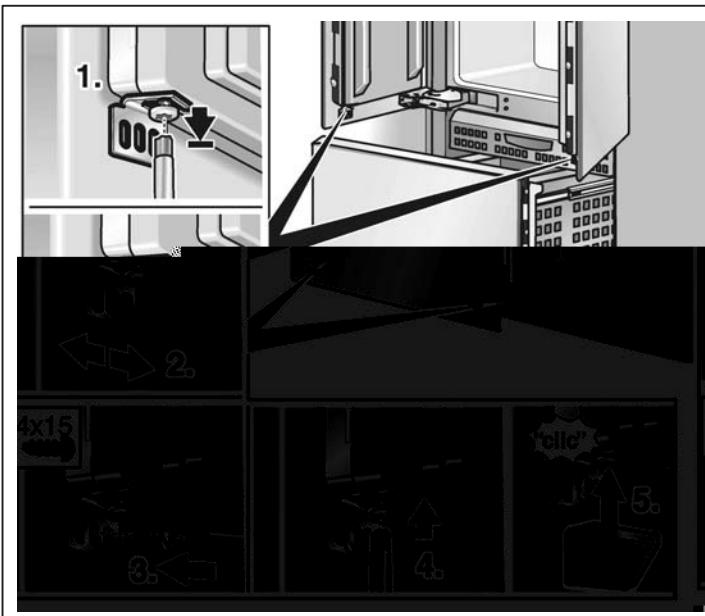
Continue the process until the last side brackets (③.) have been inserted into the fixing plates and are positioned on the screws.

- i** The two upper brackets (①. – on the left and right) have no side piece for insertion into the fixing plate.
- ❑ Close the door and check that the depth of the furniture front is aligned with the adjacent fronts. If required, correct.
- ❑ Tighten the bracket screws to fix the depth alignment.
- ❑ Close the door and check the side alignment. Correct by gently tapping the edge of the open furniture door with your hand.

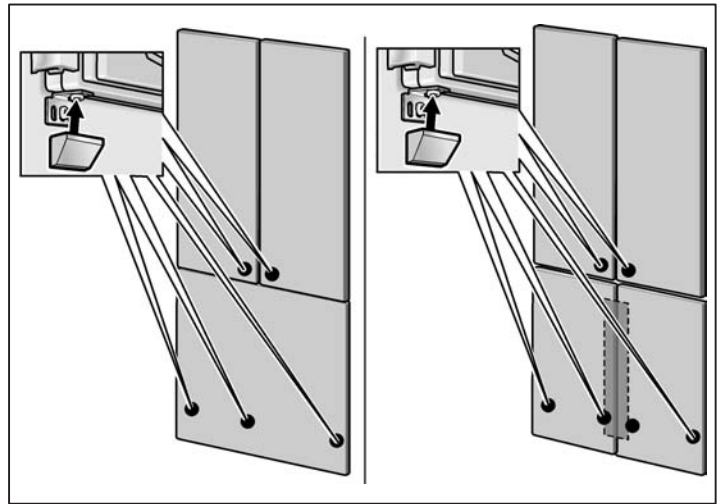


- ❑ Tighten the nuts on the adjusting rail. This will fix the side alignment of the door.

23. Attaching the lower bracket

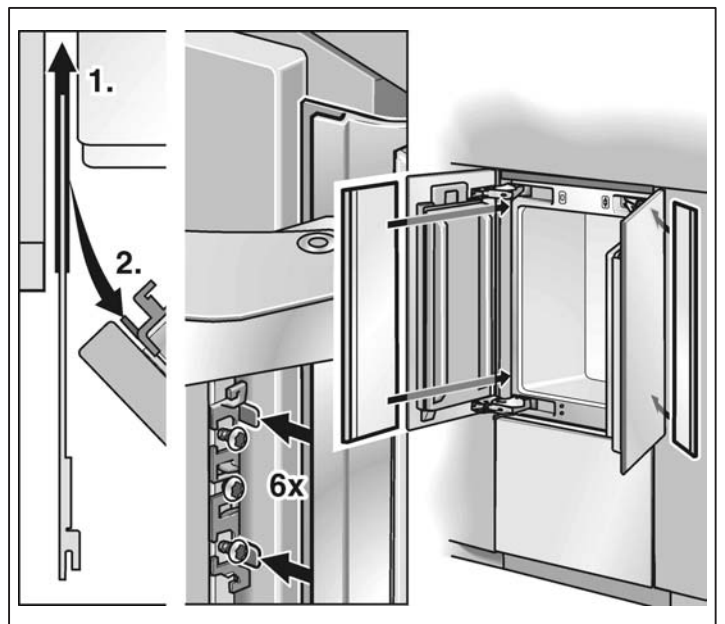


- ❑ Screw on the lower brackets. Predrill holes in the furniture door!
The lower bracket fixes the side position of the door.
1. Loosen the screw.
 2. Check the side position of the door.
 3. Screw in the wooden screw.
 4. Tighten the screw.
 5. Put the cover on the brackets.

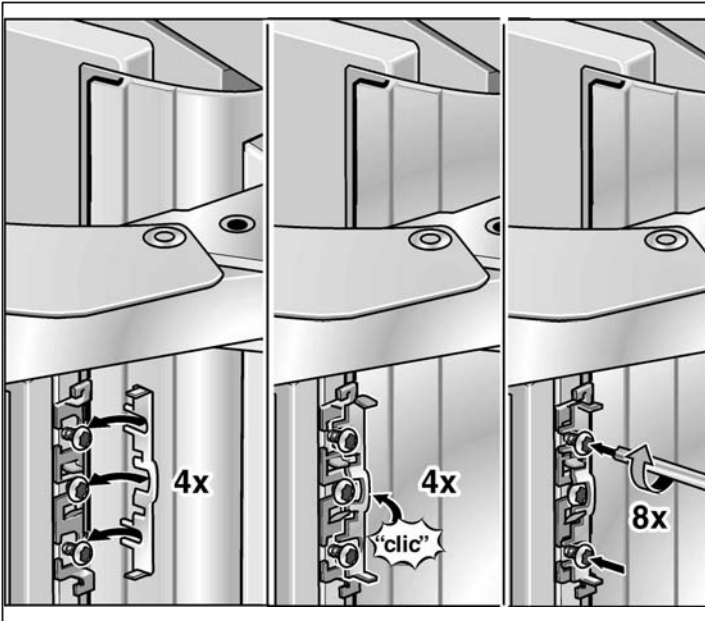


- i** The number of lower brackets depends on the width and the design of the furniture door.

24. Attaching the finger guard

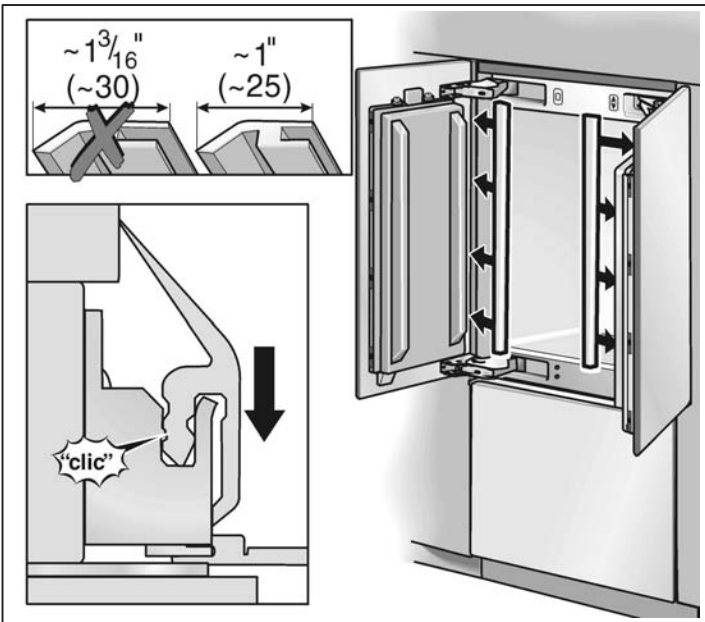


- ❑ Insert the finger guard into the gap between the appliance and adjacent furniture (1.).
- ❑ Clamp the finger guard under the brackets (2.).

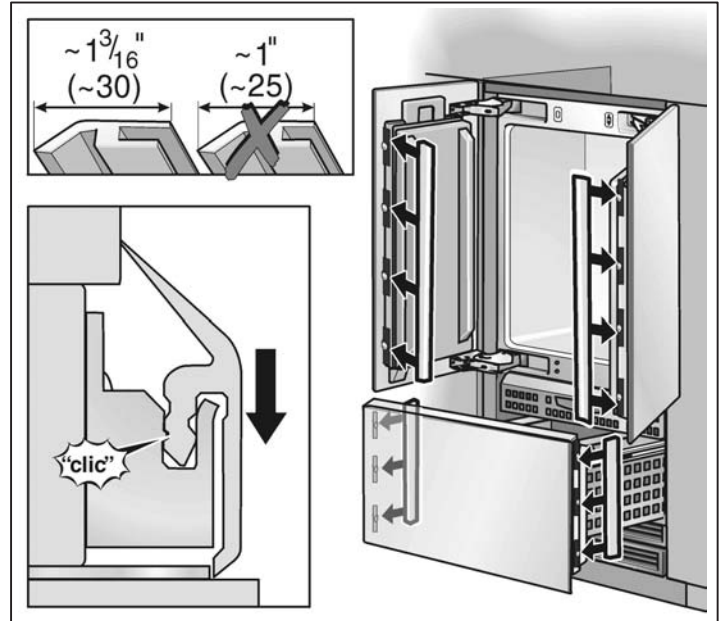


- ❑ Push the cap onto the bracket and screw tightly.

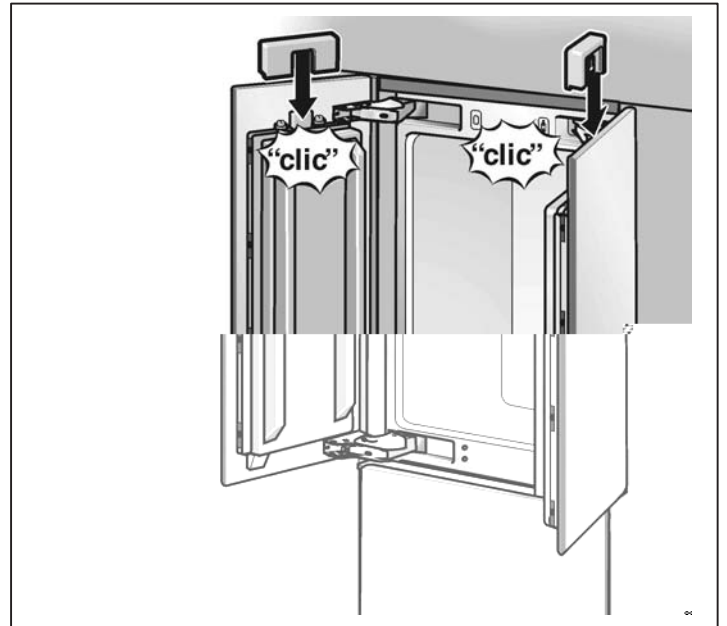
25. Attaching the covers



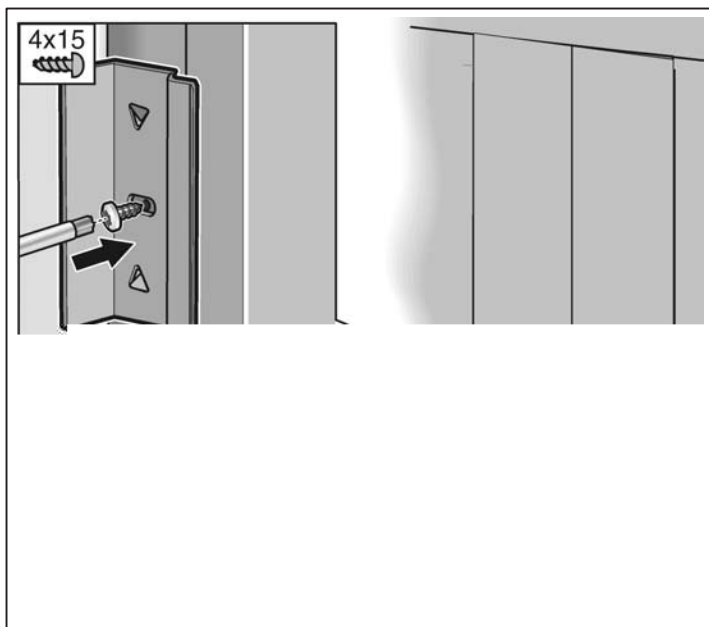
- ❑ Put the vertical cover strip on the finger guard.
- i** The side piece of the cover strip is shorter on the side on which the finger guard has been attached.



- ❑ Place the cover strips on the handle side of the door.

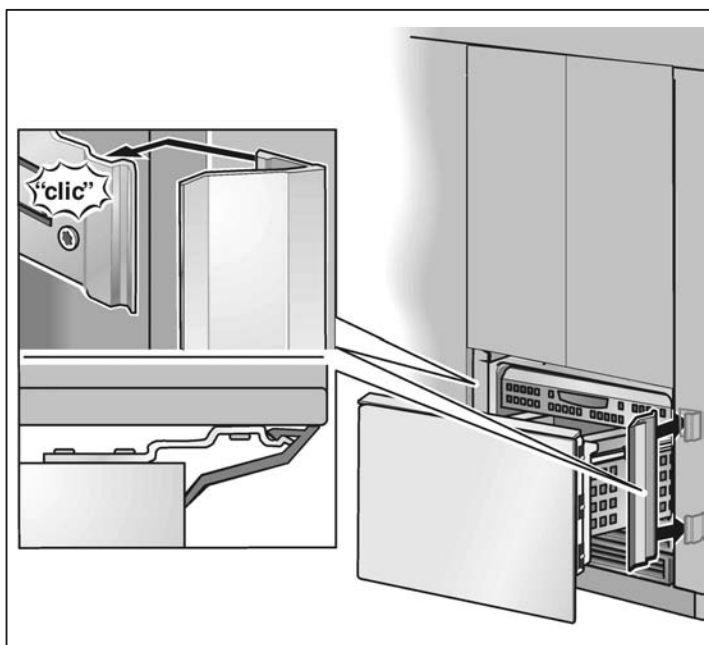


- ❑ Attach the light switch cover.

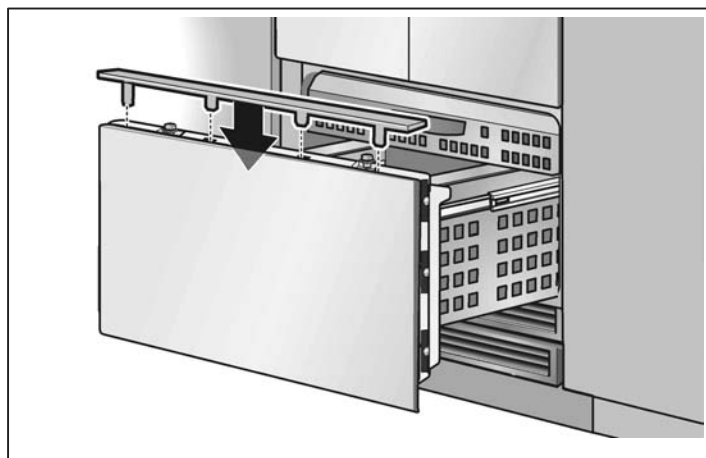


A Appliance
B Furniture

- ❑ Screw on the brackets (side) for holding the cover strip.



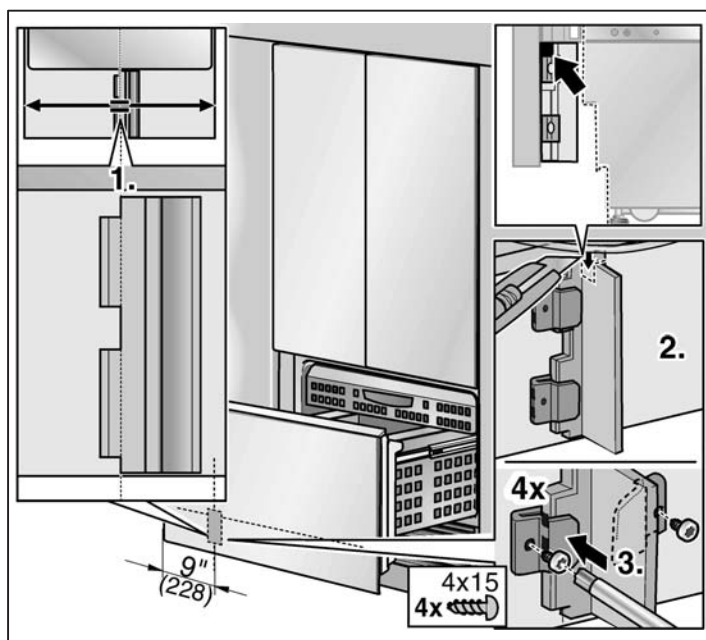
- ❑ Insert the cover strip into the space between the appliance and the wooden panel (individual appliances only).



- ❑ Insert the cover plate on the freezer compartment door.

26. Mounting of air separator

Screw the air separator to the furniture door in order to separate the supply and waste air.



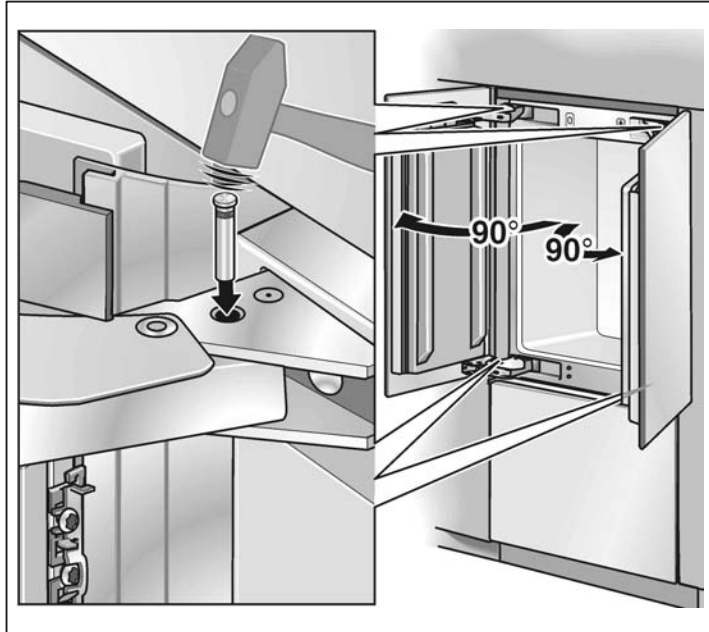
- ❑ Shorten the air separator to the required length.
- ❑ Attach the air separator with the 2 clamps. Align the air separator with the center line of the door as illustrated in the diagram.
- i** For appliances with ice-water dispenser: The air separator must be cut out in the area of the hose.

27. Adjusting the door opening angle

Depending on the installation situation, it may be necessary to adjust the door opening angle. A door opening angle of 115° has been set at the factory.

To adjust the door opening angle to 90°:

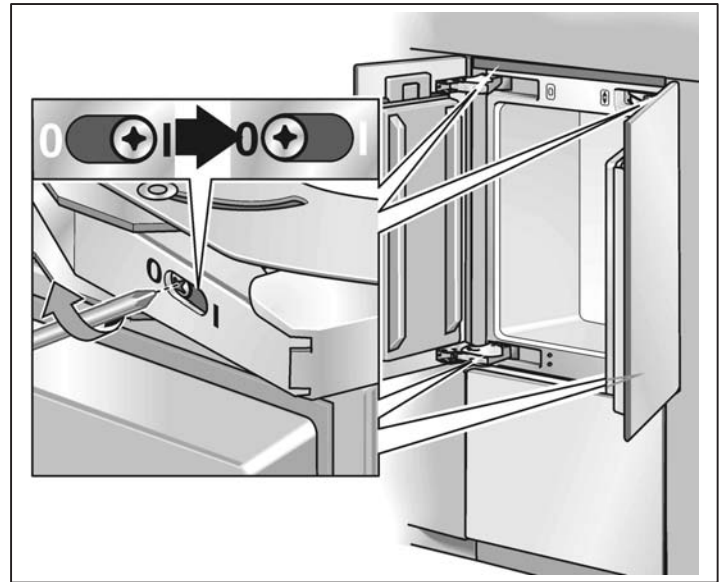
- ❑ Open door to 90°.



- ❑ Insert the banking pin through the boreholes which are now vertically aligned and drive in with a hammer.

28. Changing the door spring

To adjust the door spring:



- ❑ Rotate the adjusting screw with a cross-head screwdriver.

I = maximum spring tension

0 = no spring tension

Table de matières

Avant de commencer	33
Définitions	33
Information importante	34
Options d'installation	34
Unité individuelle	34
Côte à côte	34
Appareils individuels avec séparation	34
A l'extrémité des cuisines intégrées	35
Lieu d'installation	35
Local d'installation	35
Cavité d'installation	35
Meubles/Appareillages électriques	35
Sol	36
Raccordement à l'alimentation électrique	36
Procédure additionnelle de mise à la terre	36
Instructions de raccordement à la terre	37
Raccordement de l'eau	37
Dimensions d'installation	38
Installation individuelle	38
Installation côte à côte	39
Dimensions de l'appareil	40
Accessoires et outillage requis	41
1. Accessoires fournis	41
2. Accessoires en option	41
3. Autres accessoires requis de fournisseurs spécialisés	41
4. Outils	41
5. Autres	41
Instructions d'installation	42
1. Vérification de la cavité d'installation	42
2. Enlèvement de l'emballage	42
3. Préparation de l'appareil	43
4. Préparation de la cavité d'installation	43
5. Fixation d'un dispositif anti-renversement alternatif	45
6. Préparation du raccordement de l'eau	45
7. Fixation du protège-bordures	46
8. Installation côte à côte	46
9. Pousser l'appareil dans la cavité d'installation	46

10. Installation et alignement de l'appareil	47
11. Fixation de l'appareil contre le sommet de la cavité	48
12. Fixation de l'appareil individuel contre les côtés de la cavité	49
13. Raccordement de l'eau à l'appareil	49
14. Fixation du bandeau de socle	50
15. Préparation des portes de meubles	51
16. Application d'une charge à la porte de l'appareil	52
17. Fixation du rail d'ajustage contre la porte du meuble (compartiment réfrigérateur)	52
18. Fixation et alignement de la porte de meuble (compartiment réfrigérateur)	53
19. Fixation de la porte de meuble (compartiment réfrigérateur)	54
20. Fixation du rail d'ajustage contre la porte du meuble (compartiment réfrigérateur)	55
21. Fixation et alignement de la porte de meuble (compartiment réfrigérateur)	56
22. Fixation de la porte de meuble (compartiment réfrigérateur)	57
23. Fixation des brides inférieures	58
24. Fixation du bandeau protège-doigts	58
25. Fixation des couvercles	59
26. Montage du séparateur d'air	60
27. Ajustage de l'angle d'ouverture de porte	61
28. Changement du ressort de porte	61

Avant de commencer

Veillez lire ces instructions entièrement et avec attention.

IMPORTANT

Veillez conserver ces instructions pour usage par l'inspecteur local. Veuillez observer tous les règlements et ordonnances.

Remarque à l'intention de l'installateur – Veuillez bien à laisser les présentes instructions au client.

Remarque à l'intention du consommateur – Veuillez conserver les présentes instructions avec votre manuel de l'utilisateur. Ils vous permettront de vous y reporter ultérieurement.

AVERTISSEMENT

Cet appareil doit être correctement relié à la terre. Voir la section sur le «Raccordement au secteur électrique», page 7.

AVERTISSEMENT



Le centre de gravité de cet appareil se trouve assez haut dans celui-ci. Il faut donc sécuriser l'appareil pour l'empêcher de basculer en avant. Un protection anti-renversement est nécessaire.

Maintenez les portes de l'appareil fermées jusqu'à ce qu'il ait été installé et sécurisé conformément aux instructions d'installation.

Vu le poids et la taille de l'appareil et pour réduire le risque de dommages corporels et d'endommagement du produit, **IL FAUT DEUX PERSONNES POUR RÉALISER L'INSTALLATION CORRECTEMENT.**

PRUDENCE

Aptitudes – Niveau – L'installation de cet appareil oblige à détenir des connaissances de bases en mécanique, en menuiserie et en plomberie. La responsabilité d'une installation adéquate revient à l'installateur. Une défaillance du produit due à son installation incorrecte n'est pas couverte par la garantie dont bénéficie l'appareil. Veuillez vous reporter au manuel de l'utilisateur pour connaître les informations sur la garantie.

AVERTISSEMENT

Veillez n'utiliser cet appareil qu'aux fins pour lesquelles il a été prévu.

Réparez ou remplacez immédiatement les cordons d'alimentation électrique qui se sont usés ou sont endommagés.

Débranchez l'appareil ou ramenez le disjoncteur en position éteinte avant de nettoyer ou d'effectuer des réparations.

Les réparations sont réservées à un technicien qualifié du service après-vente.

Les présentes instructions d'installation sont destinées à être utilisées par des installateurs qualifiés. Tous les raccordements de l'eau, de l'électricité et à la terre doivent se conformer aux règlement et ordonnances locaux, ils doivent être réalisés par du personnel sous licence lorsque nécessaire. En l'absence de réglementation locale :

- Aux USA : en conformité avec le National Electric Code, ANSI/NFPA70 en son édition la plus récente, avec les règlements des États et municipaux et/ou les règlements locaux.
- Au Canada : en conformité avec le Code canadien de l'électricité C22.1 en son édition la plus récente, avec les règlements des provinces et municipaux et/ou les règlements locaux.

Définitions



AVERTISSEMENT



AVERTISSEMENT – Cette mention précède une instruction assortie d'un danger de mort ou de blessures graves si vous ne respectez pas son contenu.



PRUDENCE



PRUDENCE – Cette mention précède une instruction assortie d'un risque de blessures légères ou de dégâts si vous ne respectez pas son contenu.



Ce symbole sert à attirer votre attention sur un aspect particulier.

Information importante

L'importance de respecter tous les règlements et instructions ne saurait être plus instamment soulignée. L'installation devra être confiée à un monteur qualifié.

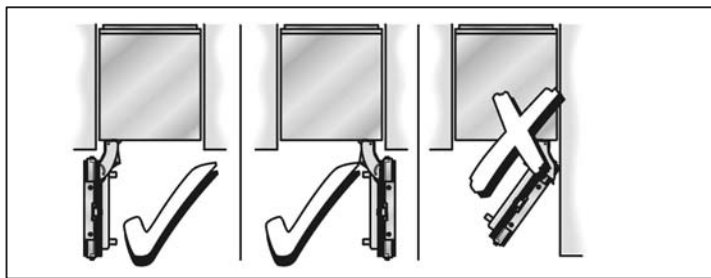
Avant de faire démarrer l'installation, veuillez toujours lire le manuel d'installation dans son intégralité. Il contient des détails importants que le monteur doit respecter. A condition de le lire attentivement, l'installation sera simple, sans contretemps et, chose capitale, sûre.

Options d'installation

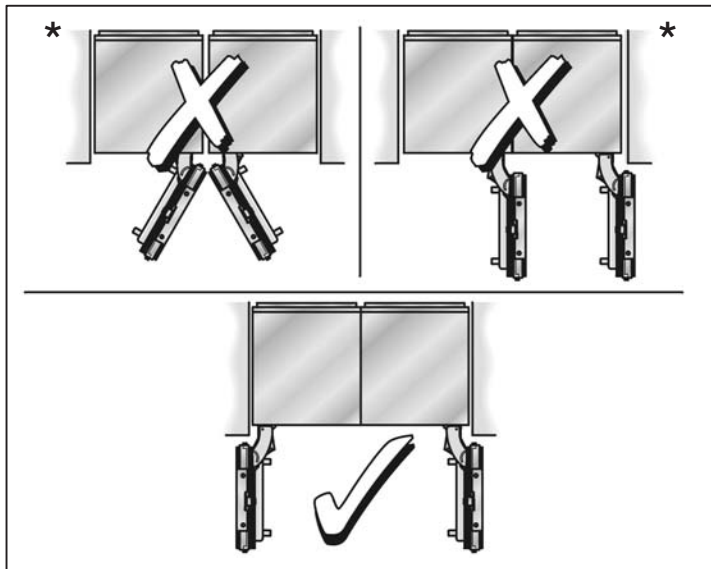
Il y a plusieurs options d'installation différentes.

Elles sont limitées seulement par l'agencement de votre cuisine et par la fonction du bandeau protège-doigts.

Unité individuelle



Côte à côte



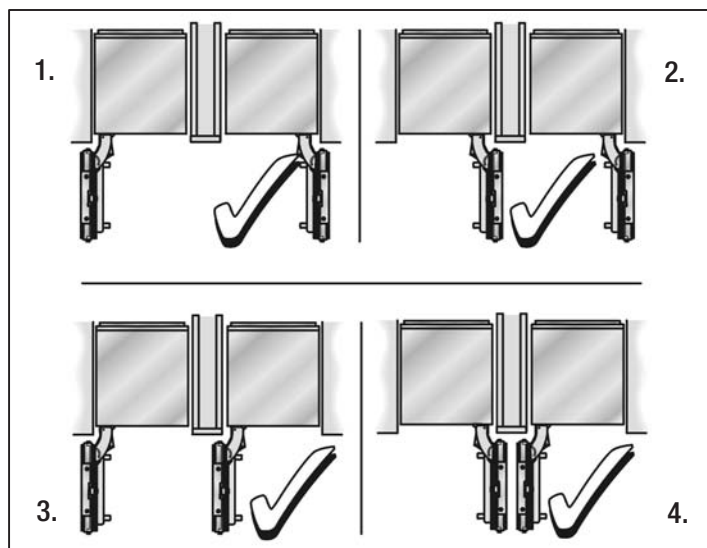
* Séparation requise

i Lorsque vous installez deux appareils côte à côte, il faut utiliser le **kit de jointoiment pour combinaison de base côte à côte «BSEALKIT10»** afin d'assurer une connexion fiable.

Lorsque vous combinez 2 appareils offrant une fonction de décongélation (par ex. 2 congélateurs ou un appareil monté au sol et un congélateur), utilisez le **kit de chauffage pour combinaison extrême côte à côte «XHEATKIT10»**.

Voir la section sur les «Accessoires en option», page 42.

Appareils individuels avec séparation



i Remarque

- Lorsque vous dimensionnez la séparation affectée à la configuration 4 ci-dessus, notez l'épaisseur de la façade des meubles pour empêcher des dégâts lors de l'ouverture simultanée des portes.
 - Utilisez le **kit de chauffage pour combinaison extrême côte à côte «XHEATKIT10»**
 - a) Si l'espace vide entre les appareils est inférieur à 6" (160 mm),
 - b) Pour le raccordement permanent de deux appareils individuels, par exemple un congélateur ou un appareil au sol voisin du congélateur.
- Voir, à la page 42, la section consacrée aux «Accessoires en option».
- Épaisseur minimum de la séparation $5/8$ " (16 mm).

A l'extrémité des cuisines intégrées

Si un côté de l'appareil est visible, il faudra utiliser un panneau latéral.

Le panneau latéral doit être fermement fixé contre le mur, le sol ou un placard/le appareillage situés au-dessus avant de placer l'appareil dans la cavité.

Pour dimensionner le panneau latéral, basez-vous sur les dimensions du panneau opposé formant la cavité. Pendant l'installation, veillez à ce que la cavité reste à angles droits et qu'elle ait la taille exacte.

Lieu d'installation



AVERTISSEMENT



N'installez pas cet appareil :

- en plein air,
- dans un environnement très humide,
- dans des pièces exposées au risque de gel.

L'appareil est très lourd. Pour connaître les poids à vide, reportez-vous au tableau suivant :

Réfrigérateur de 24"	env. 310 lbs/140 kg
Réfrigérateur de 30"	env. 350 lbs/158 kg
Bottom Mount (fixé au sol) 36"	env. 430 lbs/195 kg
Congélateur 18"	env. 255 lbs/115 kg*
Congélateur 24"	env. 300 lbs/135 kg*
Congélateur 30"	env. 335 lbs/150 kg*

(* sans distributeur d'eau)

Local d'installation

Il faudra installer l'appareil dans une pièce sèche et bien aérée.

La température ambiante ne doit pas descendre en dessous de 55 °F (13°C) ni monter au-dessus de 110 °F (43 °C), faute de quoi l'appareil risque de mal fonctionner.

L'emplacement ne doit pas être directement exposé aux rayons solaires ou proche de sources de chaleur tels qu'une chaudière, un radiateur, etc. S'il n'y a pas moyen d'éviter une installation à proximité d'une source de chaleur, utilisez un panneau isolant approprié ou respectez les distances minimum suivantes par rapport à la source de chaleur :

- 1 1/4" (30 mm) d'une cuisinière électrique,
- 12" (300 mm) d'une chaudière au fuel ou à combustible solide.

Cavité d'installation

Pour une installation sans incident de l'appareil et pour qu'ensuite la façade du meuble soit esthétique, il est important que la cavité d'installation ait bien les dimensions spécifiées.

i Assurez-vous en particulier que la cavité présente des angles droits.

Vous pouvez le vérifier avec des moyens appropriés, par exemple un niveau à bulle, des mesures en diagonale, etc.

i Les parois latérales de la cavité doivent être dans l'alignement.

L'épaisi.RT)FRFàN.89à..PPJl'apparvLangà.qà.0T(0MzFRFàN.

Sol



AVERTISSEMENT



Un appareil plein est très lourd. En ce qui concerne la portance du sol, reportez-vous au moins au tableau suivant :

Réfrigérateur 24"	env. 890 lbs/400 kg
Réfrigérateur 30"	env. 1110 lbs/500 kg
Bottom Mount (fixé au sol) 36"	env. 1200 lbs/540 kg
Congélateur 18"	env. 560 lbs/250 kg*
Congélateur 24"	env. 780 lbs/350 kg*
Congélateur 30"	env. 950 lbs/425 kg*

(* sans distributeur d'eau)

Pour être sûr que l'appareil a été installé de façon sûre et qu'il fonctionne correctement, le sol doit être plat et horizontal.

Le sol doit être constitué d'un matériau dur et rigide.

La surface d'installation doit se trouver au même niveau que le reste de la pièce.

Compte tenu du poids élevé de l'appareil lorsqu'il est plein, il faut que le sol offre la portance nécessaire. En cas de doute, contactez un architecte ou un expert en bâtiment.

Raccordement à l'alimentation électrique



AVERTISSEMENT



Risque de choc électrique

- Branchez la fiche mâle à 3 broches de l'appareil dans une prise à 3 orifices femelles reliée à la terre.
- Ne retirez pas la broche de raccordement à la terre.
- N'utilisez pas d'adaptateur
- N'utilisez pas de prolongateur.

Le non-respect de ces instructions s'assortit d'un danger de mort, d'incendie ou de choc électrique.

L'appareil est livré avec un cordon d'alimentation électrique à trois fils et figurant dans la liste UL aux USA.

Cet appareil requiert d'être raccordé à une prise femelle à trois fils.

L'installation de cette prise est une opération exclusivement réservée à un électricien agréé.

Orientez la broche de terre vers le bas, comme le montrent les illustrations.

En ce qui concerne la position d'installation de la prise femelle, veuillez vous reporter à la section «Dimensions d'installation», page 41.

Procédure additionnelle de mise à la terre

Certaines réglementations locales peuvent exiger un raccordement à part à la terre. En pareils cas, vous devrez acheter séparément les accessoires requis : le fil de terre, la bride et la vis.

Ne raccordez jamais l'appareil à des conduites en plastique, conduites de gaz ou conduites d'eau.

Instructions de raccordement à la terre

Cet appareil devra être relié à la terre. En cas de dysfonctionnement ou de panne, le raccordement à la terre réduit le risque de choc électrique en fournissant au courant un chemin de moindre résistance électrique.



AVERTISSEMENT



Un branchement incorrect du fil de raccordement à la terre peut occasionner un choc électrique. Si vous n'êtes pas sûr que l'appareil est correctement relié à la terre, faites-le vérifier par un électricien agréé ou un technicien du service après-vente.

Raccordement de l'eau

Il faut un raccordement à l'eau froide pour que le distributeur automatique de glaçons puisse fonctionner. La pression de l'eau doit être comprise entre 25 et 120 p.s.i. (1,72 et 8,25 bar).

Dans le cadre du raccordement de l'eau à l'appareil, il faut installer une vanne de fermeture séparée.

Cette vanne de fermeture ne doit pas se trouver derrière l'appareil. Il est recommandé de la placer directement à côté de l'appareil (unité de base) ou en tout autre endroit facile d'accès.

Lors du raccordement de l'eau, examinez les zones d'installation admises pour la conduite. En ce qui concerne les zones d'installation permises et les dimensions, reportez-vous à la section intitulée «Dimensions d'installation», page 41.

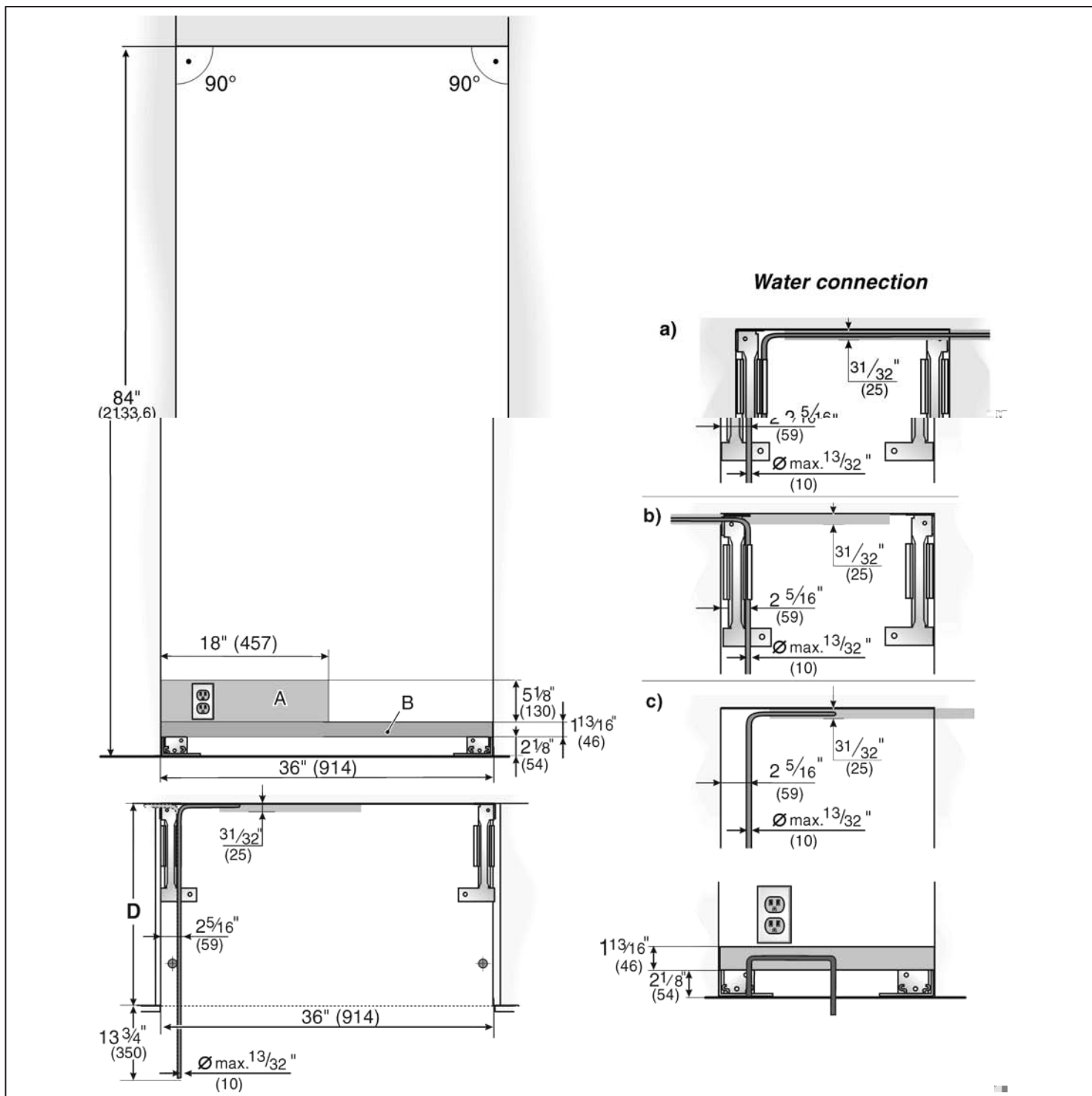
Il est possible de placer la conduite d'alimentation sur le côté droit (a), sur le côté gauche (b) ou en dessous (c).

Diamètre externe maximum de la conduite d'eau (sans les robinetteries) : $1\frac{3}{32}$ " (10 mm).

Fixez, à un endroit adapté et d'accès facile, une vanne de fermeture séparée affectée au raccordement de l'eau. N'utilisez jamais de vanne autotaraudeuse !

Dimensions d'installation

Installation individuelle



Légende :

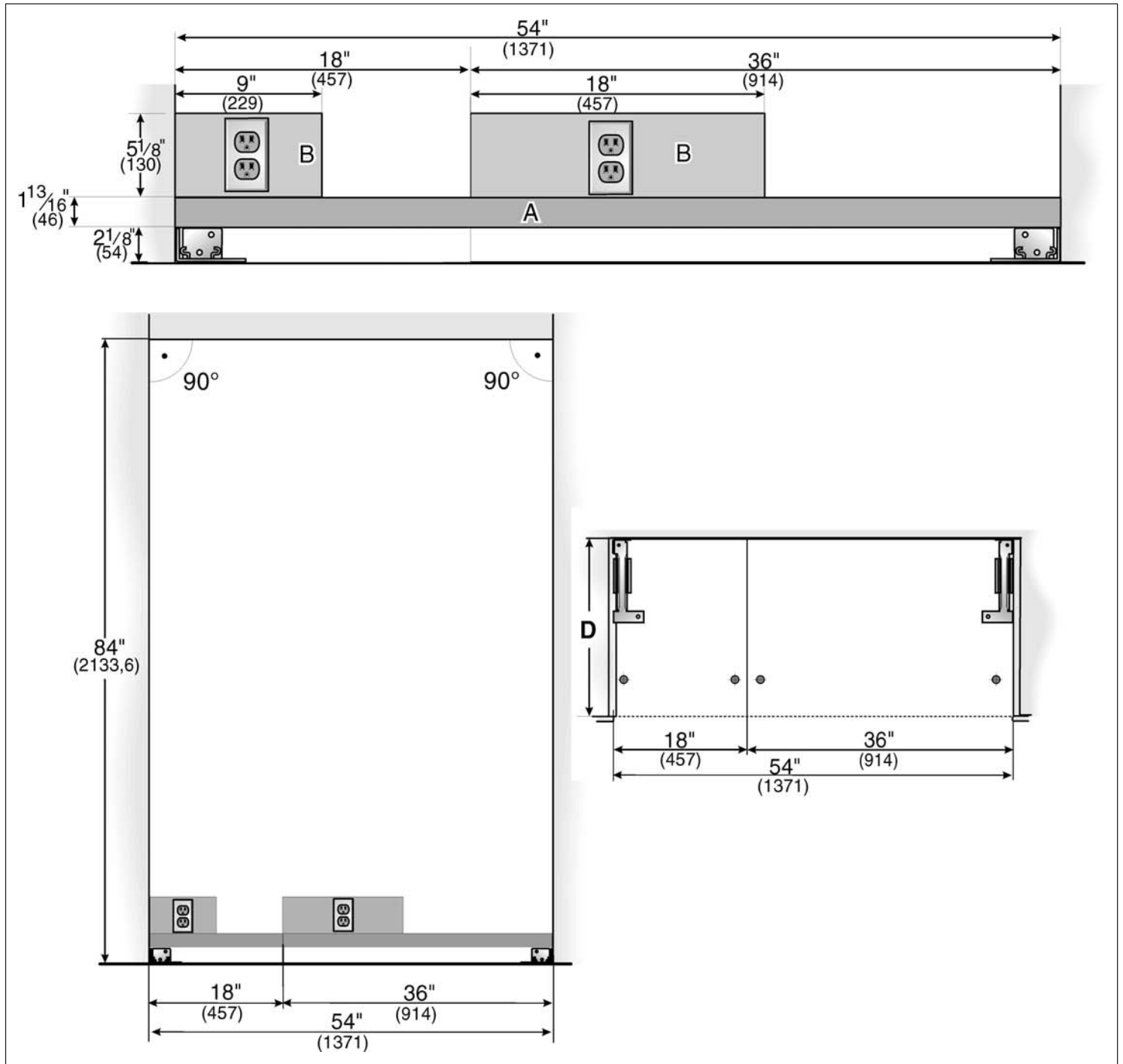
- A représente la zone où installer le raccordement de l'eau
- B représente la zone où installer le raccordement de l'électricité

D profondeur d'ouverture de la cavité, ceci dépendant de la configuration de la cuisine (Voir le GUIDE DE CONCEPTION)
 D = 24" (610 mm) minimum

REMARQUE : La cavité doit être carrée.

La paroi latérale de la cavité doit se trouver dans l'alignement.

Installation côte à côte



Les dimensions de cavité mentionnées ci-dessus, afférentes à l'appareil respectif, s'appliquent à l'installation côte à côte de deux appareils.

La largeur totale de la cavité résulte de l'addition des deux largeurs de cavité indiquées pour les deux appareils.

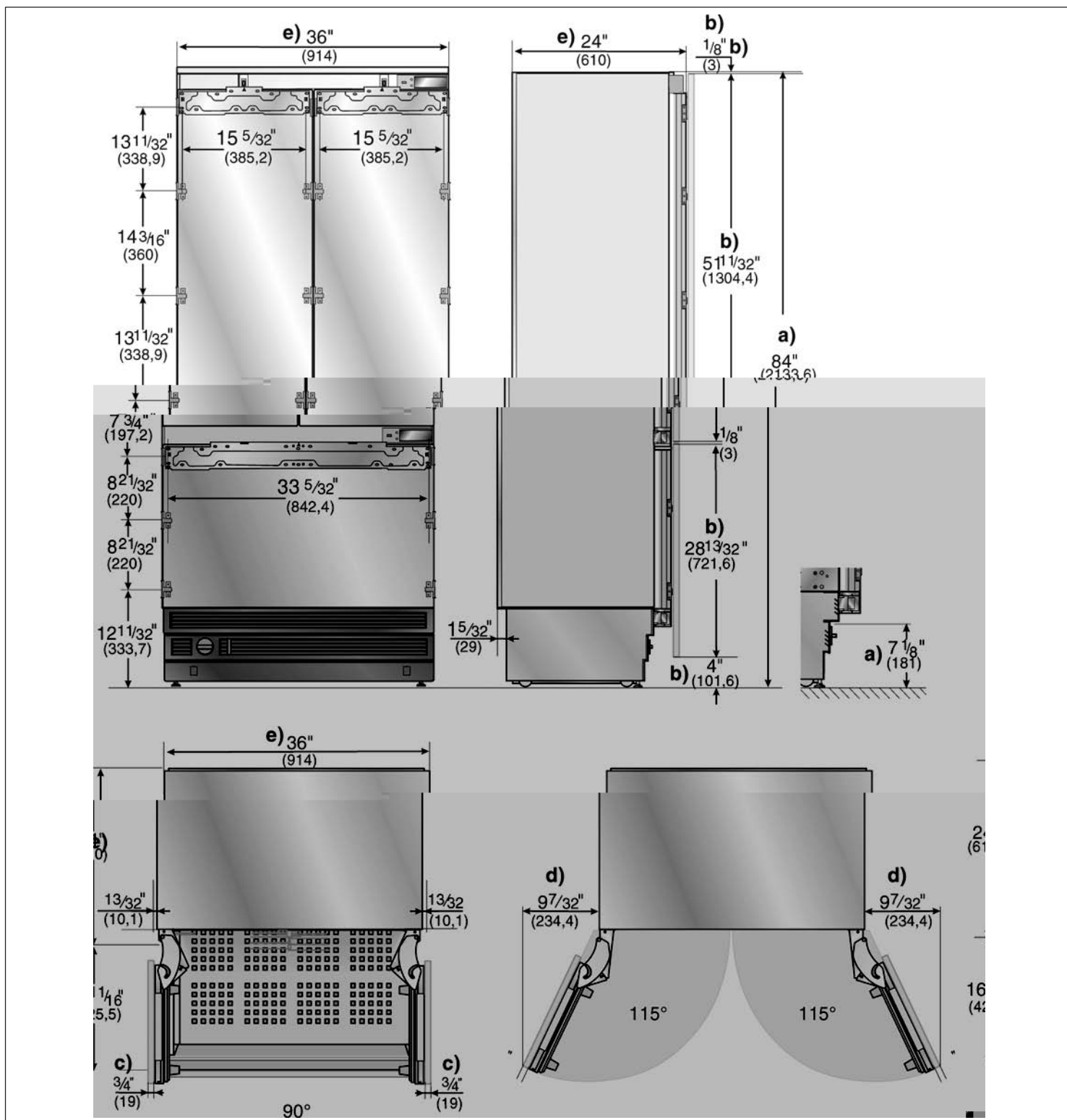
Exemple :

Congélateur 18"/Réfrigérateur 30"

Légende :

A Représente la zone d'installation des appareils (A) et (B) dans la cavité.

Dimensions de l'appareil



Légende :

- a) Ajustage des pieds de nivellement entre + 13/8" (35 mm) et - 1/2" (13 mm).
- b) Les dimensions peuvent différer.
- c) L'épaisseur du panneau de porte peut différer.
- d) Cette dimension peut différer en fonction de l'installation, de l'épaisseur du panneau et du matériel équipant la cuisine.

e) Dimensions de l'unité

Remarque :

Les illustrations ne représentent qu'un style de panneau en bois. Pour obtenir des informations avancées sur les différents styles, veuillez vous reporter au GUIDE DE CONCEPTION.

Accessoires et outillage requis

1. Accessoires fournis

- Instructions d'installation
- Instructions d'utilisation
- Kit d'installation

2. Accessoires en option

Kit de jointolement pour combinaison de base côte à côte «XHEATKIT10»

Ce kit permet le raccordement permanent de deux appareils individuels, par exemple d'un congélateur à côté d'un réfrigérateur.

Kit de chauffage pour combinaison de base côte à côte «BSEALKIT10»

- a) Si l'espace vide entre les appareils est inférieur à 6" (10 mm)
- b) Pour le raccordement permanent de deux appareils individuels, par exemple un congélateur ou un appareil au sol voisin du congélateur.

Pièce protège-doigts extra longue

Pièce d'union des panneaux «FPCONNTS10» (bande métallique)

Elle sert à raccorder deux portes de meuble.

3. Autres accessoires requis de fournisseurs spécialisés

Kit d'installation de distributeur de glaçons, conduite en cuivre de 1/4" de diamètre extérieur

Ce kit sert à raccorder les appareils qui ont besoin d'eau, par exemple pour alimenter un distributeur de glaçons.

- i** Diamètre extérieur maximum de la conduite d'eau (sans les robinetteries) : $1\frac{3}{32}$ " (10 mm).

4. Outils

- Visseuse sans cordon T20
- Tournevis Torx T20 (empreinte cruciforme)
- Embout Torx T20 + support magnétique
- Clé à pipe $\frac{5}{16}$ " (8 mm) pour écrou hexagonal
- Forets à bois de différentes tailles
- Clé à fourche, calibre SW 13/16"
- Pince multiprises
- Clé anglaise
- Cutter à lame ajustable
- Mètre à ruban
- Équerre
- Niveau à bulle de 2' (60 cm) et 4' (1,2 m)
- Niveau de marquage, longueur minimum 4' (1,2 m) en présence d'un appareil individuel, ou de 7' (2,0 m) en cas d'installation côte à côte.

5. Autres

- Escabeau
- Socle mobile, diable brouette
- Perceuse à percussion pour percer des trous dans le mur ou le sol
- Forets adaptés aux matériaux et de différentes dimensions
- Madrier (section minimum 3" x 4" (75 mm x 100 mm)) à titre de protection alternative contre le renversement, d'une longueur correspondant à la cavité d'installation
- Vis à bois de différentes tailles
- Matériau mince (au maximum $\frac{1}{16}$ " (1.5 mm)) pour protéger le revêtement de sol (en linoléum par exemple) contre les dégâts
- Matériau approprié pour recouvrir et protéger les meubles (par ex. feuilles protectrices).
- Ruban adhésif

Instructions d'installation

1. Vérification de la cavité d'installation



Pour assurer une installation sûre et sans incident, et pour que la façade générale du mobilier offre une esthétique optimale, vérifiez avec soin si la cavité d'installation est conforme aux exigences d'installation.

Avant de commencer l'installation, vérifiez que la cavité est conforme à toutes les exigences visant une installation sûre et sans incident.

- Vérifiez le sol.
Suivez les instructions figurant à la page 6 dans la section «Lieu d'installation».
- Vérifiez la dimension de la cavité.
- Vérifiez que la cavité présente des angles droits.
- Vérifiez l'emplacement de la prise.
Respectez également les instructions figurant à la page 37, dans la section «Raccordement à l'alimentation électrique», ainsi qu'à la page 41, dans la section «Dimensions d'installation».
- Vérifiez l'emplacement du branchement de l'eau (uniquement pour les appareils équipés d'un distributeur de glaçons).
Respectez également les instructions figurant à la page 37, dans la section «Raccordement de l'eau».
- Vérifiez la fixation des meubles/appareillages adjacents. Toutes les pièces constitutives d'un meuble à proximité de l'appareil doivent être fixées de manière sûre contre le mur.
- Vérifiez que les meubles/appareillages adjacents n'entreront pas en collision (angle d'ouverture de porte).

2. Enlèvement de l'emballage



AVERTISSEMENT

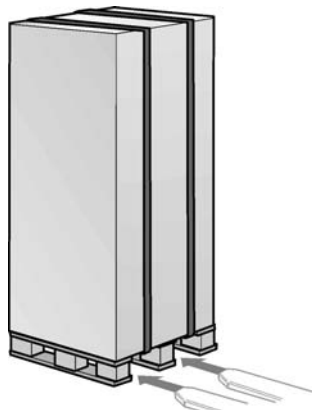


- L'appareil risque de se renverser pendant son déballage.
- L'appareil est très lourd.
- Lorsque vous ouvrez la porte de l'appareil, ce dernier risque de basculer en avant.

Soyez prudent, sinon les personnes qui vous aident risquent de se blesser et l'appareil risque quant à lui de s'endommager.

Pour protéger le sol contre les dégâts pendant l'installation :

- Fixez un morceau de moquette, linoléum, etc., contre le sol, en face de l'emplacement d'installation prévu.



- Déplacez l'appareil de manière sûre à l'aide du diable brouette.
- Retirez l'emballage de transport :
 - Enlevez le carton. Utilisez le cutter avec prudence pour ne pas endommager les surfaces de l'appareil.
 - Sortez les accessoires fournis ; ils se trouvent dans les pièces de protection de l'emballage.



PRUDENCE



Tant que l'installation n'est pas terminée, ne retirez pas les cales de sécurité qui, pendant le transport, protègent les clayettes et les bacs de rangement à l'intérieur de l'appareil, sinon ces pièces risquent de s'endommager.

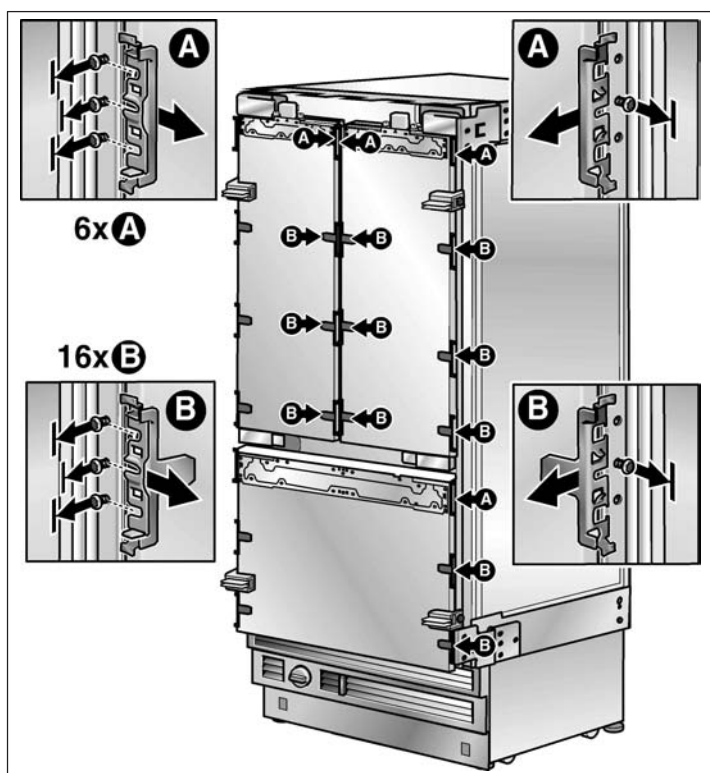
- ❑ Vérifiez si l'appareil a été endommagé pendant son transport.

N'installez pas l'appareil s'il est visiblement endommagé. Prévenez votre revendeur en cas de doute.

3. Préparation de l'appareil

- ❑ Enlevez les brides latérales et les plaques de retenue qui servent à fixer les façades de meuble. Pour cela, desserrez les vis de fixation et retirez les butées.

- i** Rangez les butées dans des récipients appropriés sinon vous risquez de les perdre.



4. Préparation de la cavité d'installation

- i** Il faut 2 brides anti-renversement pour chaque appareil ou combinaison d'appareils (côte à côte).

- ❑ Déterminez les points de fixation des brides anti-renversement.

Déterminez les dimensions détaillées conformément à la section «Dimensions d'installation», en commençant à partir de la page 8.

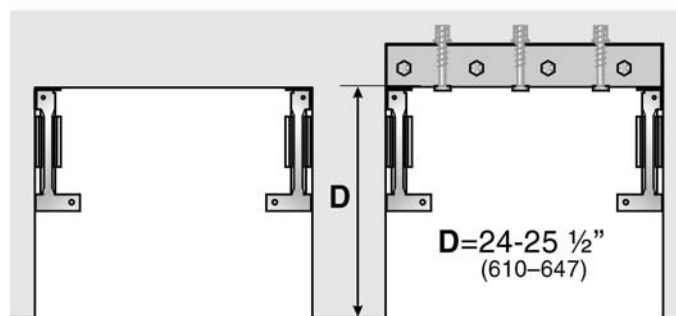


AVERTISSEMENT



Veillez à ce qu'il n'y ait aucun fil électrique ou conduite dans lesquels les vis risqueraient de pénétrer.

Risque de blessures et d'endommagement !



- ❑ Si la cavité d'installation est plus profonde que l'appareil, placez un madrier derrière les brides anti-renversement et fixez de manière sûre contre le sol ou le mur.

La longueur du madrier est égale à la largeur de la cavité d'installation.



REMARQUE IMPORTANTE



Si possible, vissez toujours le madrier contre les tiges situées sur le panneau arrière de la cavité.

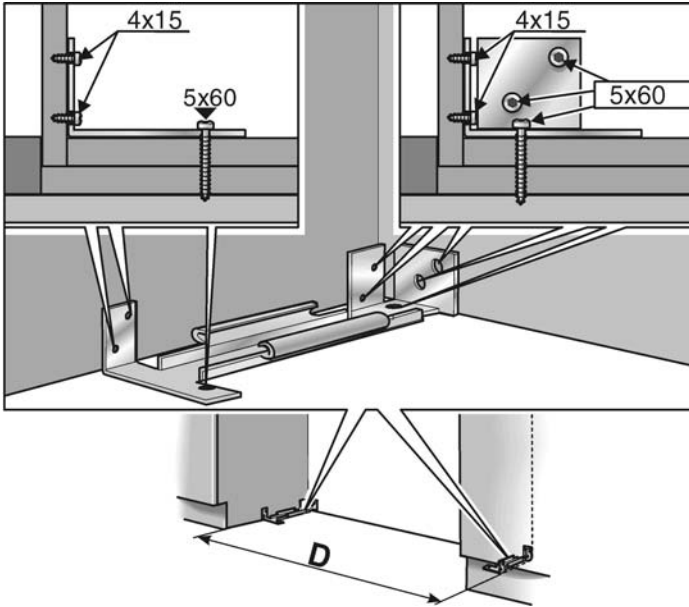
Dans certains cas d'installation, le plancher ou le plancher fini pourront obliger à couder les vis à bois servant à fixer les brides anti-renversement contre le mur arrière.

- i** Information importante pour fixer de manière sûre les brides anti-renversement :
 - Le kit fournit contient des vis de fixation destinées à différentes applications. Sélectionnez les vis de fixation conformément aux conditions locales.
 - Si les vis de fixation fournies ne permettent pas de fixer de manière sûre les brides anti-renversement, donc l'appareil, il faudra recourir à une autre méthode pour fixer les brides anti-renversement en toute sécurité.

Application sur plancher en bois

Utilisez les vis à bois (5x60 mm et 4x15 mm) fournies avec l'appareil.

- ❑ Percez des trous de guidage :
De $\frac{1}{8}$ " (3 mm) pour les vis à bois faisant 5x60 mm
De $\frac{5}{64}$ " (2 mm) pour les vis à bois faisant 4x15 mm
Assurez-vous que les vis traversent bien le plancher et pénètrent d'au minimum $\frac{3}{4}$ " dans le panneau mural.
- ❑ Fixez complètement la bride anti-renversement. Assurez-vous que les vis tiennent fermement.



- i** La distance D entre les brides anti-renversement correspond normalement à la largeur de l'appareil.

Application sur sol en béton



PRUDENCE



Portez toujours des lunettes enveloppantes ou d'autres dispositifs et équipements de protection nécessaires lorsque vous installez des ancrages ou travaillez avec des ancrages. Risques de blessures !

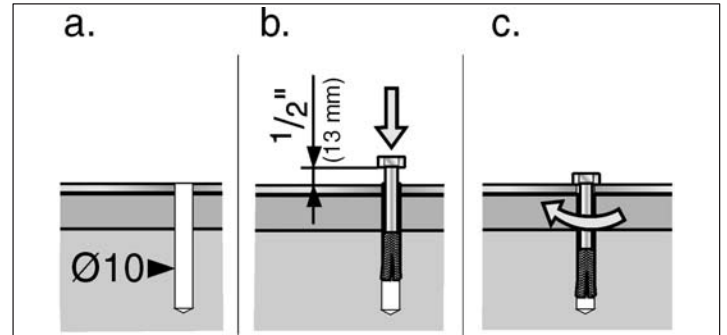
Ancres déconseillées dans la maçonnerie légère ou dans des matériaux tels que les parpaings ou les briques.

Ancres déconseillées dans le béton neuf qui n'a pas encore eu le temps de prendre.

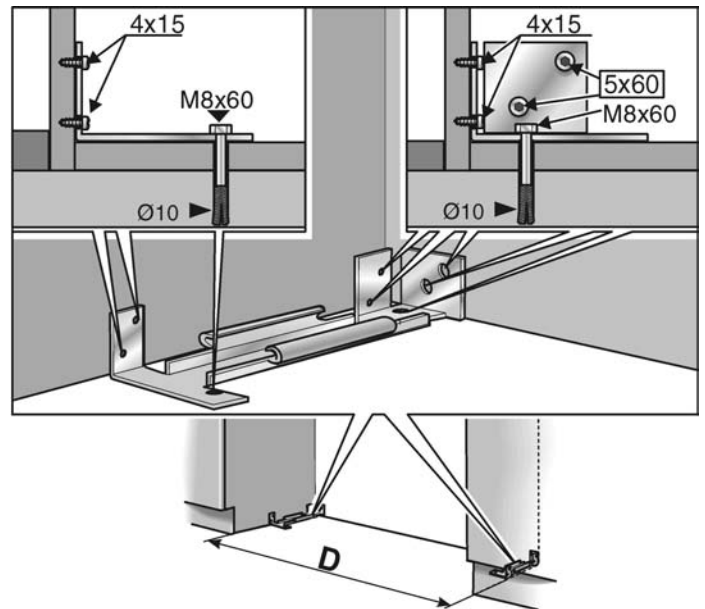
N'utilisez pas de foret à carotte pour percer les trous préparatoires à la pose de cette ancre.

Utilisez une ancre M8 à béton et une vis M8 à béton. A titre d'utilisation additionnelle, des vis à bois accompagnent l'appareil (5 x 60 mm et 4 x 15 mm).

- ❑ Percez un trou de 10 mm de diamètre, d'une profondeur quelconque dépassant la longueur d'ancrage minimum. Utilisez le foret fourni.
- ❑ Nettoyez le trou ou continuez de percer un peu plus profond.
- ❑ Vissez la vis à la main dans la cheville, jusqu'à ce qu'une légère résistance se manifeste.



- ❑ Enfoncez la vis avec la cheville dans le trou, jusqu'à ce que la tête de la vis se trouve à env. $\frac{1}{2}$ " (13 mm) de la bride anti-renversement.
- ❑ Serrez la vis à fond.



- i** La distance D entre les brides anti-renversement correspond normalement à la largeur de l'appareil.

5. Fixation d'un dispositif anti-renversement alternatif

REMARQUE IMPORTANTE

Si possible, vissez toujours le madrier contre les tenons préexistants situés sur le panneau arrière de la cavité.

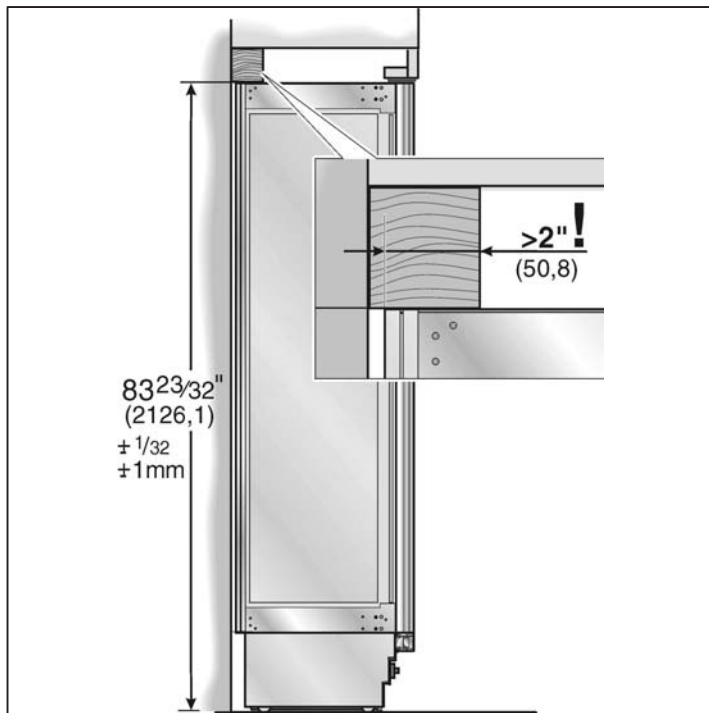
S'il n'est pas possible de fixer les brides anti-renversement de manière sûre, vous pouvez fixer un dispositif anti-renversement alternatif. Toutefois, veillez à ce qu'il n'y ait pas de jeu entre l'appareil et le dispositif anti-renversement.

- ❑ Sciez le madrier (section minimum 3" x 4") à la longueur requise.

La longueur est égale à la largeur de la cavité d'installation !

i Remarque

- Si la cavité d'installation est plus profonde que l'appareil, sélectionnez un madrier qui présente une plus forte section ou fixez 2 madriers l'un contre l'autre.
- Le madrier doit recouvrir l'appareil sur au moins 2" (50,8 mm).



- ❑ Sur le panneau arrière de la cavité, marquez la hauteur de l'installation (bord inférieur du madrier).
- ❑ Sélectionnez les vis conformément à l'épaisseur du madrier : longueur = 2,5 min. x épaisseur du madrier, diamètre #12 ou #14.

- i** Déterminez le nombre de vis en fonction de la largeur de la cavité, en veillant à ce que la poutre puisse être fixée de manière sûre.
- ❑ Localisez les montants du mur près du panneau arrière de la cavité et marquez les emplacements des trous dans le madrier.
- ❑ Percez des trous préparatoires dans le madrier.
- ❑ Fixez le madrier contre le panneau arrière de la cavité.

6. Préparation du raccordement de l'eau

(seulement pour les appareils qui requièrent un raccordement à l'eau courante).

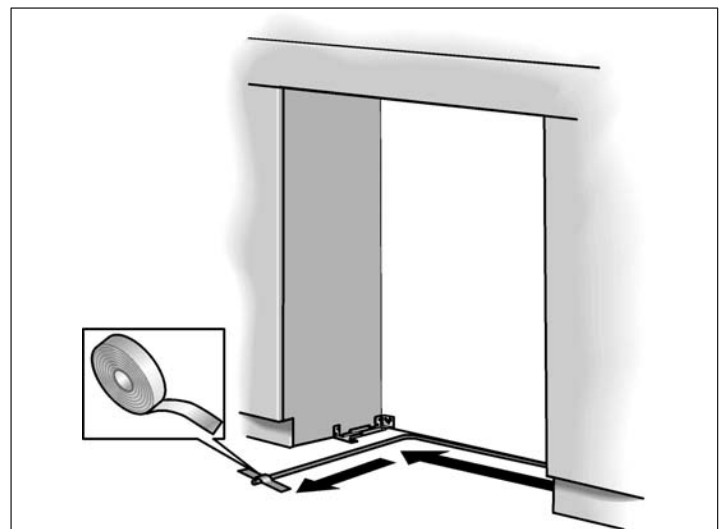


PRUDENCE



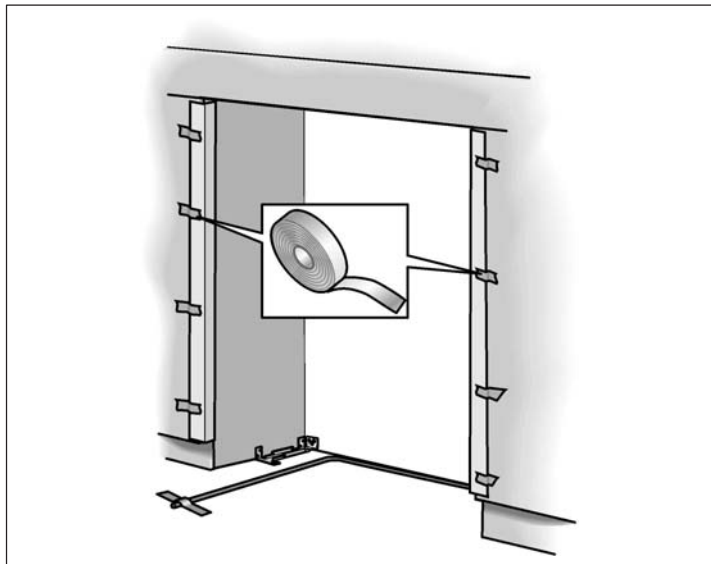
Refermez le robinet d'eau principal pour empêcher que l'eau, en fuyant, ne provoque des dégâts.

- ❑ Branchez la conduite de raccordement contre la vanne de fermeture en respectant les instructions fournies par le fabricant du kit destiné à l'installation du distributeur de glaçons.
- ❑ Installez la conduite de raccordement. Respectez toujours les dimensions spécifiées pour l'espace libre, ceci pour empêcher d'endommager la conduite de raccordement lorsque vous poussez l'appareil.



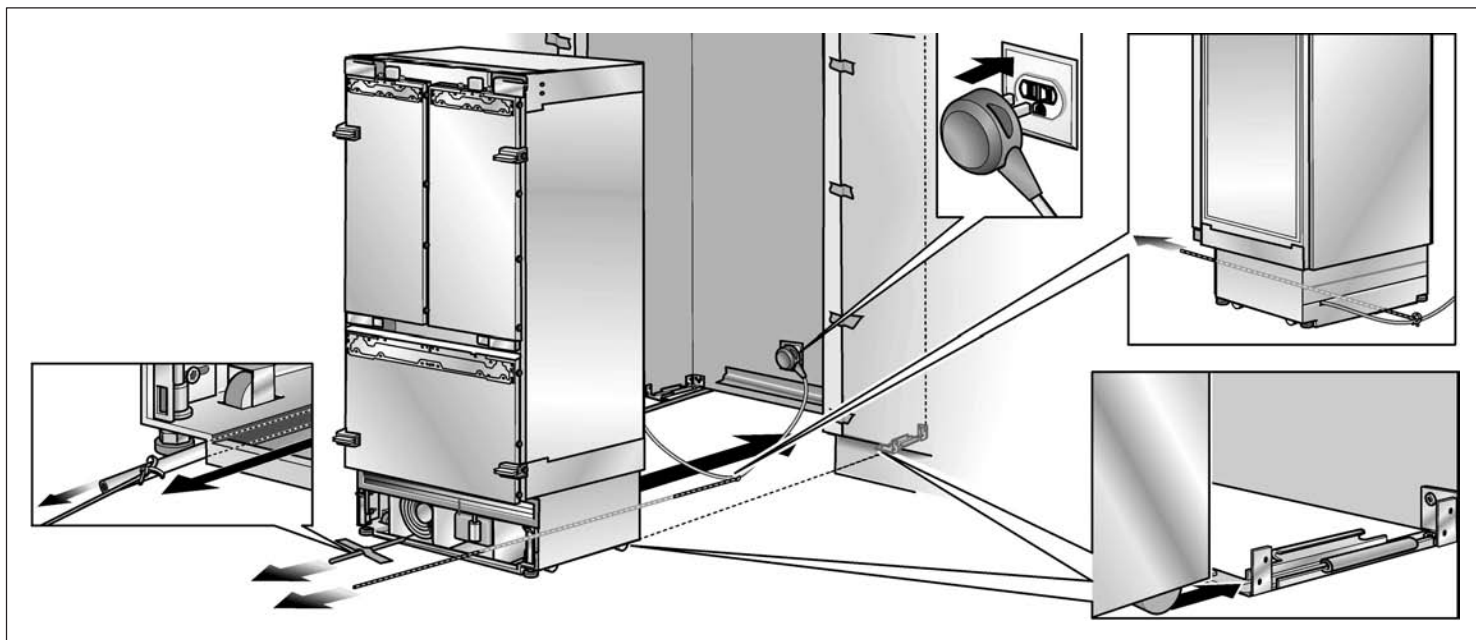
- ❑ Fixez la conduite de raccordement contre le plancher à l'aide de ruban adhésif.

7. Fixation du protège-bordures



- ❑ Pour protéger les angles de la cavité, fixez les cornières de protection dans ces angles à l'aide de ruban adhésif.

9. Pousser l'appareil dans la cavité d'installation



PRUDENCE



Prudence lorsque vous poussez l'appareil dans la cavité d'installation. Veillez bien à ne pas endommager la conduite d'eau ou le cordon d'alimentation électrique fixé contre le sol.

8. Installation côte à côte

- i** Si vous prévoyez une installation côte à côte, il faut relier maintenant les deux appareils l'un avec l'autre. Veuillez vous reporter au manuel de installation pour connaître les informations sur la Installation côte à côte.

- i** Si le plancher ou l'appareil n'est pas horizontal par rapport à la cavité d'installation, ajustez les roues réglables en hauteur avant d'introduire l'appareil dans la cavité d'installation.

- ❑ Branchez la fiche mâle dans la prise de courant.

- i** En présence d'appareils côte à côte, il faudra utiliser deux prises, une pour chaque appareil.

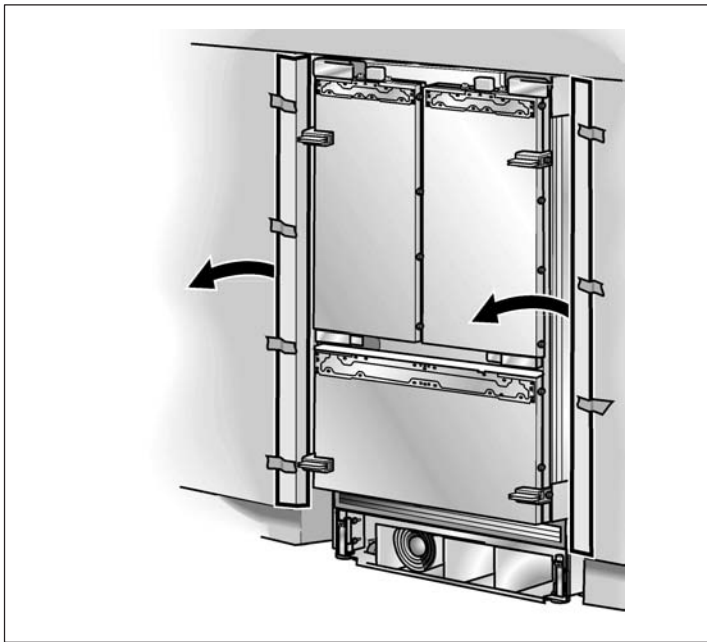
- ❑ Veillez à ne pas coincer ni pincer le cordon d'alimentation électrique.

Fixez une cordelette au milieu du cordon d'alimentation électrique et faites le passer sous l'appareil. Continuez de tirer le cordon au fur et à mesure que vous enfoncez l'appareil.

Ou bien

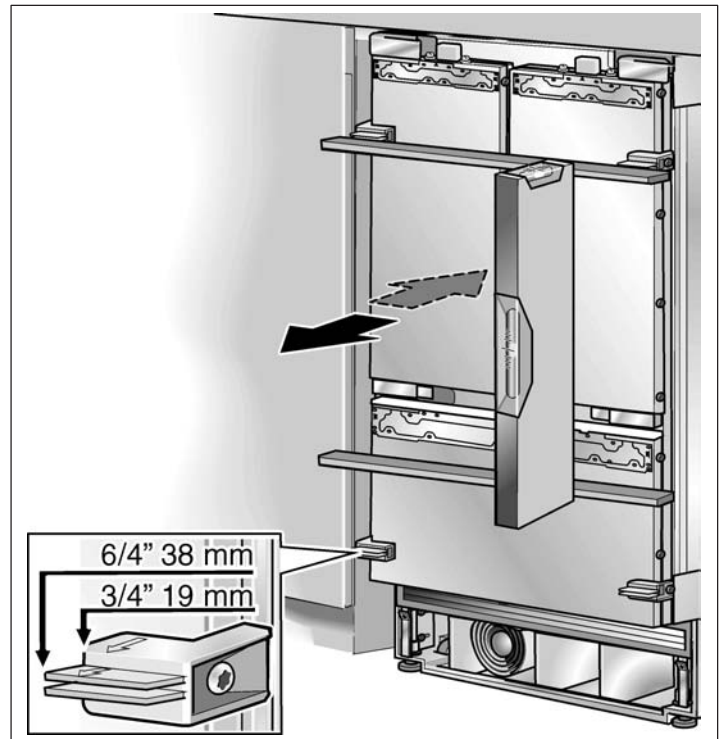
Prenez du ruban adhésif, collez le cordon d'alimentation électrique contre le plancher, au centre derrière l'appareil, à env. 15" (380 mm) du panneau arrière de la cavité.

- ❑ Poussez doucement l'appareil dans la cavité jusqu'à ce que la roue réglable en haute se verrouille avec les brides anti-renversement.



- ❑ Enlevez le dispositif de protection des angles.

10. Installation et alignement de l'appareil



- ❑ Alignez l'appareil sur la façade des meubles.

Placez le niveau à bulle sur les règles situées sur la porte et servant d'aide à l'installation.

- i** Ces pièces d'aide à l'installation ont été conçues pour des portes de meuble faisant l'épaisseur totale suivante :

- 3/4" (19 mm)
- 1 1/2" (38 mm)

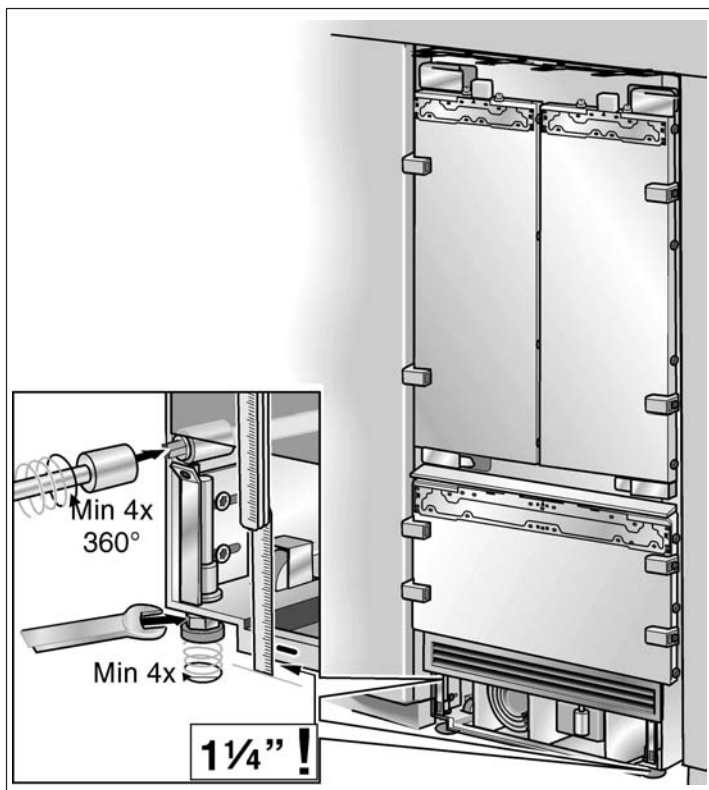
Tenez toujours compte de l'épaisseur, peut-être différente, des façades de meuble qui devront être installées par la suite.

Les pieds réglables en hauteur équipant l'avant et l'arrière de l'appareil se laissent régler depuis l'avant de l'appareil.

Avant : A l'aide d'une clé à fourche 1/2" (calibre SW 13)

Arrière : A l'aide d'un tournevis à douille 5/16" (8 mm) via une queue flexible.

A titre de cote de référence pour l'ajustage en hauteur, une marque a été apposée contre la base de l'appareil. Lors de l'ajustage, il faudra amener cette marque sur une hauteur de 1 1/4" (32 mm) au-dessus du sol.



- ❑ Dévissez les pieds réglables en hauteur jusqu'à ce que la marque sur la base/le sol a atteint la dimension guide indiquée (1¼"/32 mm).

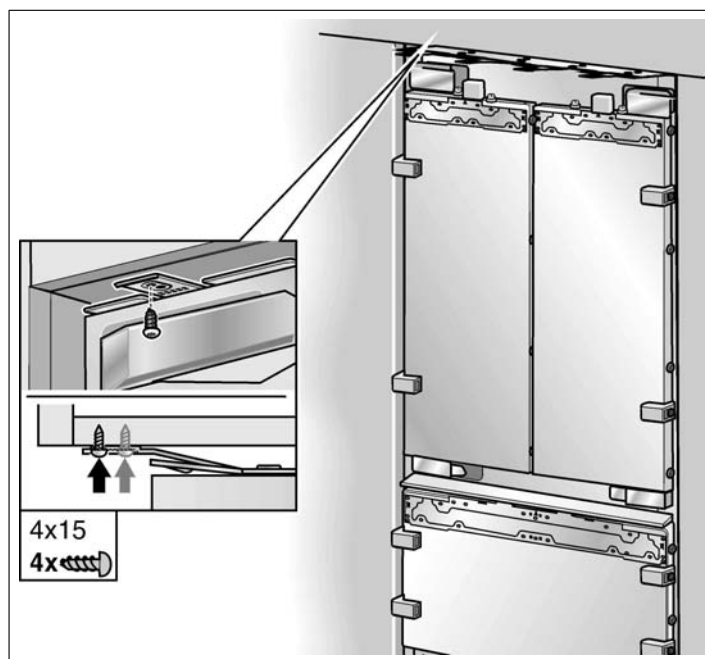
i Il est très important de respecter cette dimension pour pouvoir ensuite aligner les façades des meubles.

- ❑ Alignez les façades des meubles à l'aide d'un niveau à bulle

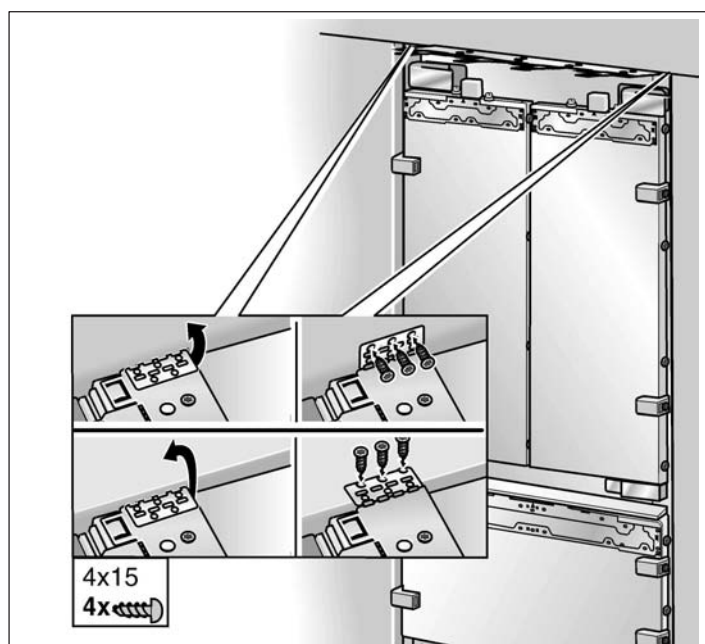
i Remarque:

- Ne voilez pas ni ne poussez pas l'appareil de force dans la cavité ! Lorsque vous dévissez les pieds réglables en hauteur, procédez graduellement : alternez en permanence entre les côtés gauche et droit, gauche et droit, etc.
- Si vous délestez l'arrière de l'appareil, l'ajustage de ses pieds arrière réglables est plus facile.
- Si vous utilisez un madrier à titre de dispositif alternatif anti-renversement selon la section 6 de ce manuel d'installation, faites tourner l'appareil tout le long en direction du madrier.

11. Fixation de l'appareil contre le sommet de la cavité

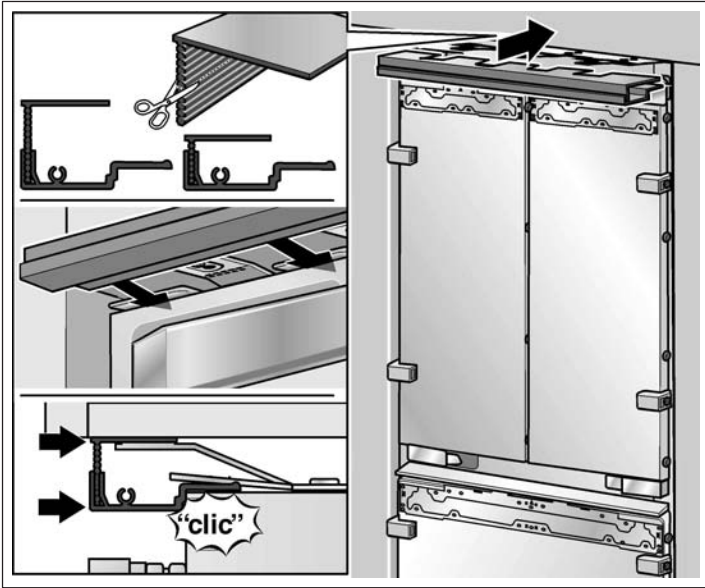


- ❑ Vissez les pattes de fixation (en haut) contre le meuble/les appareillages du dessus.



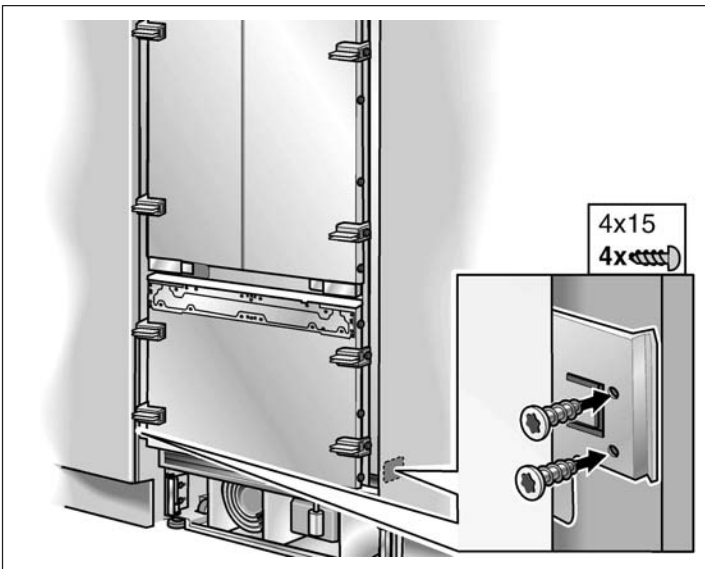
- ❑ Fixez les pattes de fixation latérales (en haut) en fonction des conditions d'installation. S'il n'y a pas d'interstice ou seulement un interstice étroit, il n'est pas nécessaire de fixer les pattes latérales.

- ❑ En présence d'une cavité assez importante au dessus de l'appareil, montez impérativement un madrier aux dimensions adaptées et sans jeu au dessus de l'appareil.



- ❑ Fixez le bandeau de recouvrement contre la plaque de fixation (en haut).
Raccourcissez la bande d'ajustage à la hauteur voulue !

12. Fixation de l'appareil individuel contre les côtés de la cavité



- ❑ Vissez les pattes de fixation (latérales) contre le meuble/les appareillages adjacents (uniquement dans le cas d'un appareil individuel)

13. Raccordement de l'eau à l'appareil

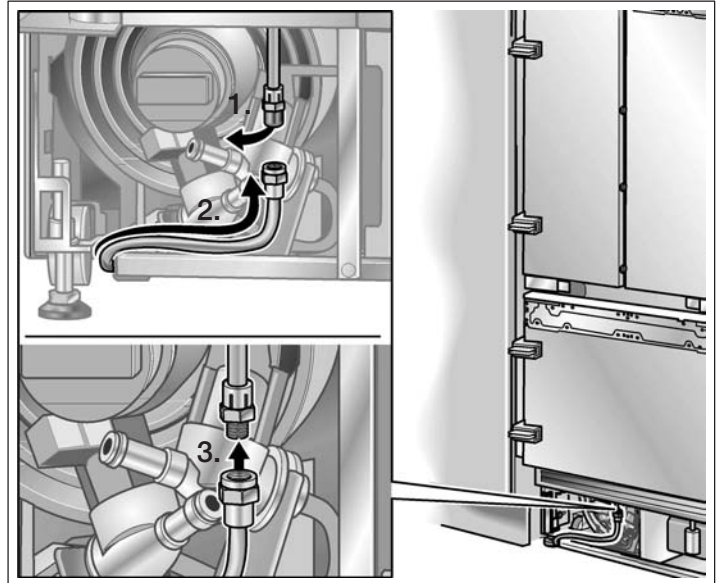
- i** Lorsque vous raccordez la conduite d'eau à l'électrovanne de l'appareil, respectez les instructions fournies par le fabricant du kit servant à installer le distributeur de glaçons ; ces instructions accompagnent le manuel d'installation.



PRUDENCE



Lorsque vous recourbez une conduite d'eau, ne la pliez pas, sinon il y a risque que de l'eau fuie et provoque des dégâts.
Utilisez des accessoires de cou dage.



- ❑ Retirez le capuchon du raccord ① de l'appareil.
- ❑ Coudez la conduite conformément à l'emplacement du raccord sur l'appareil ②.
- ❑ Poussez l'écrou de jonction et le joint contre la conduite d'eau.
- ❑ Poussez l'extrémité de la conduite d'eau dans le raccord de l'appareil et vissez l'écrou ③. Serrez à fond mais à la main.
- ❑ A l'aide d'une clé à fourche, serrez l'écrou de jonction. Veillez à ne pas serrer à l'excès !
- ❑ Ouvrez la vanne de fermeture et le robinet d'eau principal. Vérifiez si le raccord de la vanne de fermeture et celui de l'appareil présentent des fuites.

14. Fixation du bandeau de socle

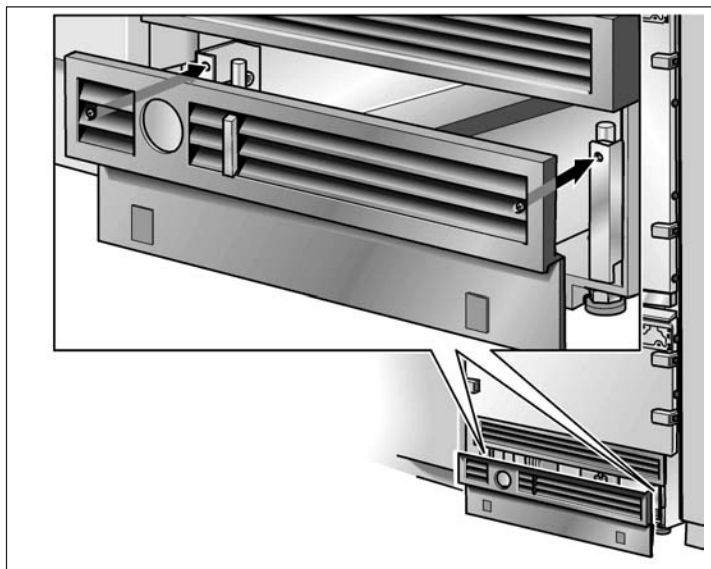


PRUDENCE

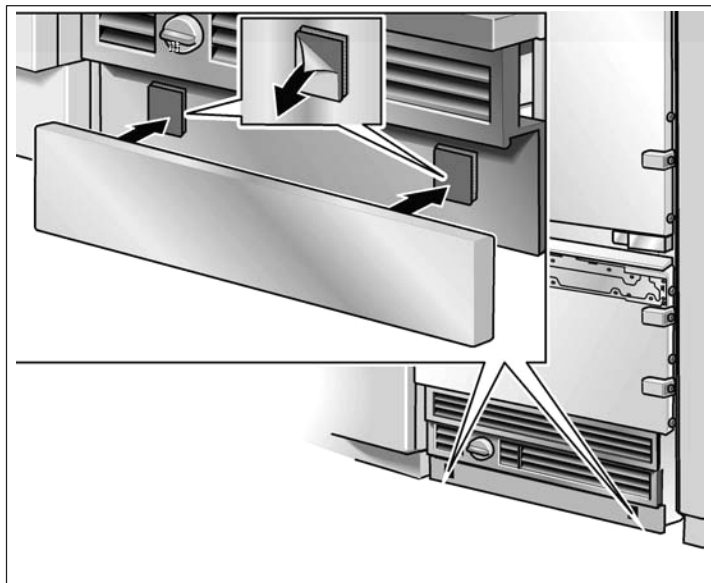


La hauteur maximale du bandeau de socle est de 4" depuis la surface du plancher. Ne recouvrez pas les ouïes de ventilation que comporte le panneau de base. Risque d'endommager l'appareil.

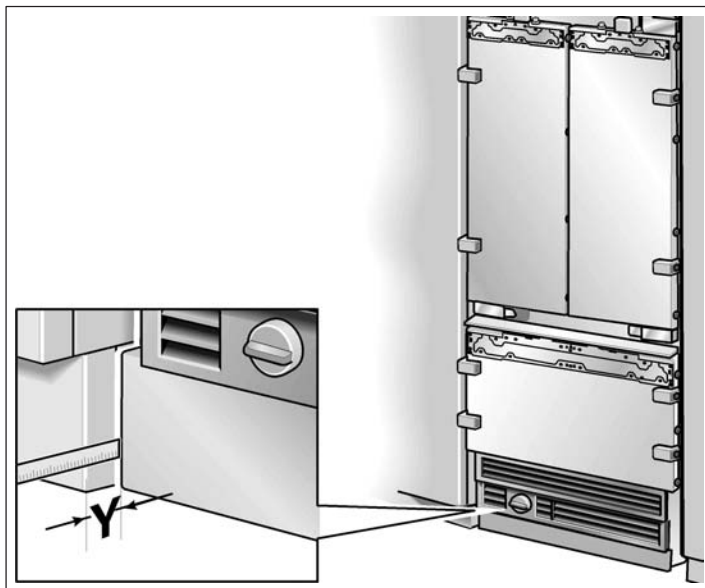
- ❑ Si nécessaire, réduisez le bandeau de socle à la longueur voulue.



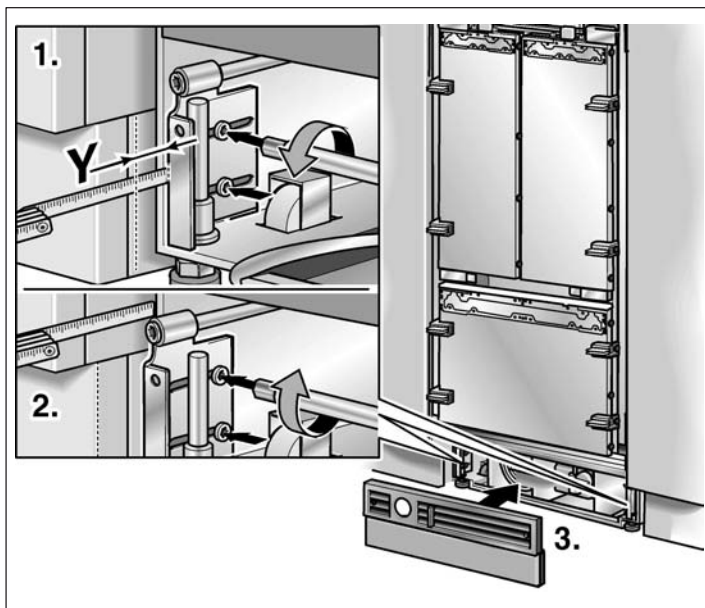
- ❑ Fixez le panneau de base contre l'appareil.



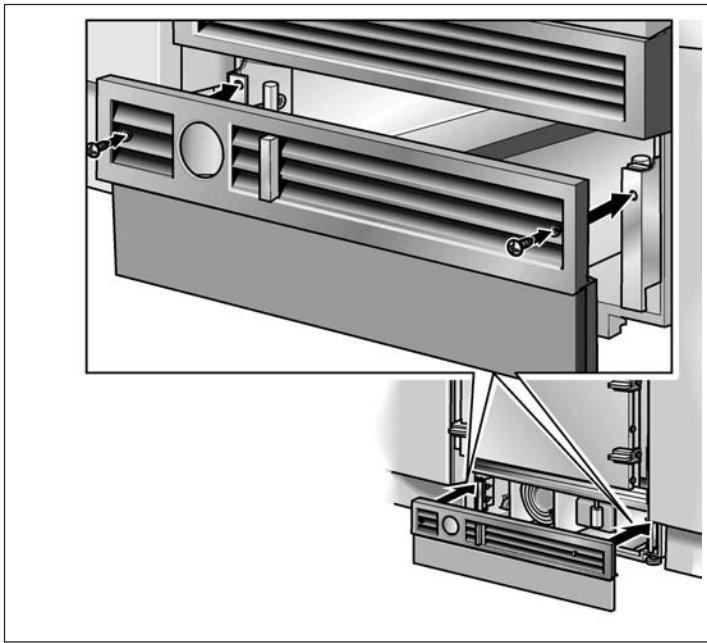
- ❑ Retirez la pellicule protectrice des pastilles adhésives sur la bande Velcro.
- ❑ Fixez le bandeau de socle contre le panneau de base puis appuyez fermement pour le mettre en place.



- ❑ Placez le panneau de base (sans visser) puis mesurez la différence de profondeur Y entre le panneau de base et le bandeau de socle sur le meuble adjacent.
- ❑ Retirez le panneau de base.
- ❑ Détachez les brides retenant le panneau de base et enfoncez complètement.
- ❑ Sortez les brides d'une distance égale à la profondeur Y mesurée.



- ❑ Serrez les brides fermement.



❑ Fixez le panneau de base.

i Si nécessaire, vous pouvez visser le bandeau de socle contre le panneau de base. Il y a des trous à vis dans le panneau de base, à proximité de la bande Velcro.

15. Préparation des portes de meubles

! REMARQUE IMPORTANTE !

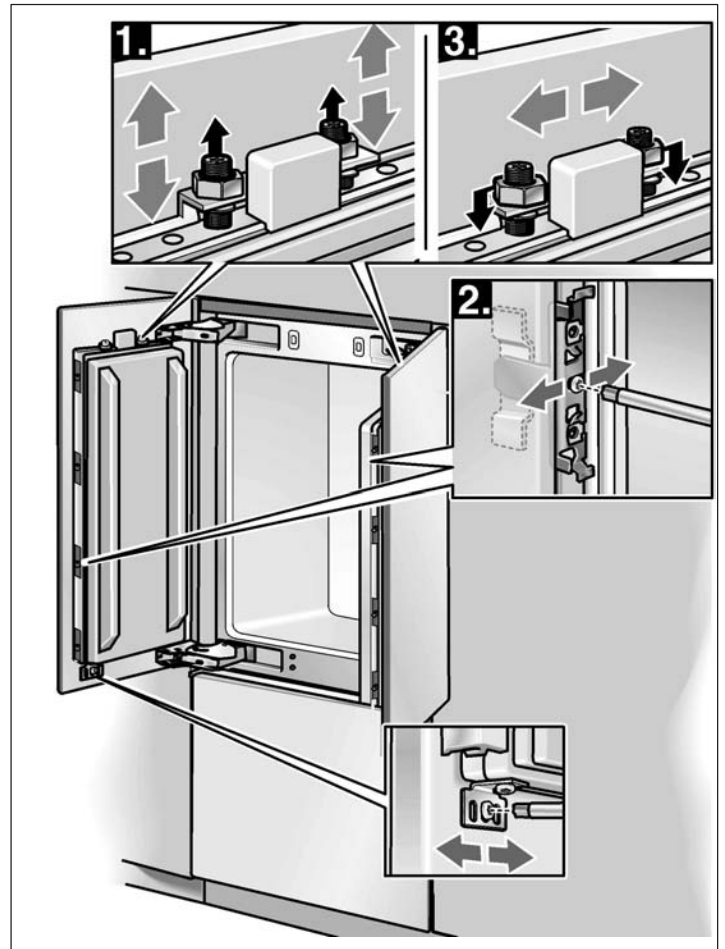
Lorsque vous effectuez tous travaux sur les portes des meubles, veuillez tenir compte de ceci :

- Vissez toujours dans le matériau, constitutif de la porte, le mieux capable de supporter la charge.
- Sélectionnez toujours une longueur de vis inférieure à l'épaisseur de la façade du meuble.
- Pour prévenir les dégâts, protégez les surfaces du meuble pendant l'installation.

Le poids total de la façade de meuble ne doit pas dépasser les valeurs suivantes :

top 1 porte	55 lbs/25 kg
top 2 portes	26 lbs/12 kg (par porte)
bottom	22 lbs/10 kg

Les façades de meuble se fixent contre la porte de l'appareil au moyen des pièces d'ajustage sur l'appareil. Ces pièces d'ajustage permettent d'ajuster la porte du meuble avec précision et de la fixer de manière sûre contre l'appareil.

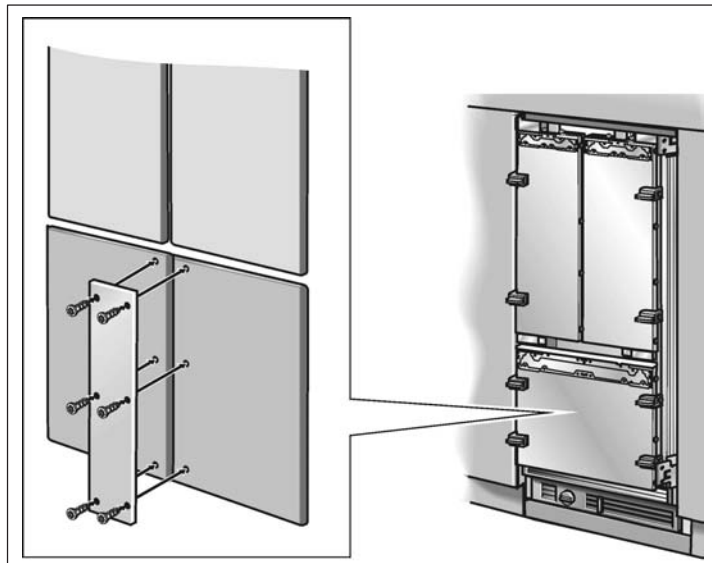


Fonction des différentes pièces :

1. Boulon double filetage contre le rail d'ajustage :
il permet l'ajustage vertical de la porte du meuble.
2. a) Brides latérales :
Elles servent à ajuster la profondeur de la façade du meuble.
b) Plaques de fixation :
Elles permettent d'ajuster latéralement la façade du meuble.
3. Écrous sur le boulon double filetage :
Ils servent à bloquer la façade du meuble et empêcher ainsi tout mouvement latéral.
4. Brides inférieures :
Elles servent à bloquer la façade du meuble et empêcher un mouvement latéral.

Dans le cas des appareils faisant 30" et 36" de largeur, il est possible de fixer 2 portes de meuble adjacentes à la place d'une seule porte de grande largeur. Ces portes de meubles doivent être réunies l'une à l'autre par un bandeau métallique contre leur dos.

Ce bandeau est en vente auprès du service après-vente en tant qu'accessoire en option. Voir la section intitulée «Accessoires en option» à la page 42.



Lorsque vous fixez le bandeau métallique aux portes de meuble, respectez la longueur maximum possible des vis et la position des trous de perçage. Vissez toujours dans la partie du matériau de porte la mieux en mesure de supporter la charge.

i Si vous ne voulez fixer qu'une porte de meuble à la porte d'un appareil faisant 30" ou 36" de largeur, fixez le panneau en sandwich, fourni, contre le rail d'ajustage et verrouillez en position.

16. Application d'une charge à la porte de l'appareil

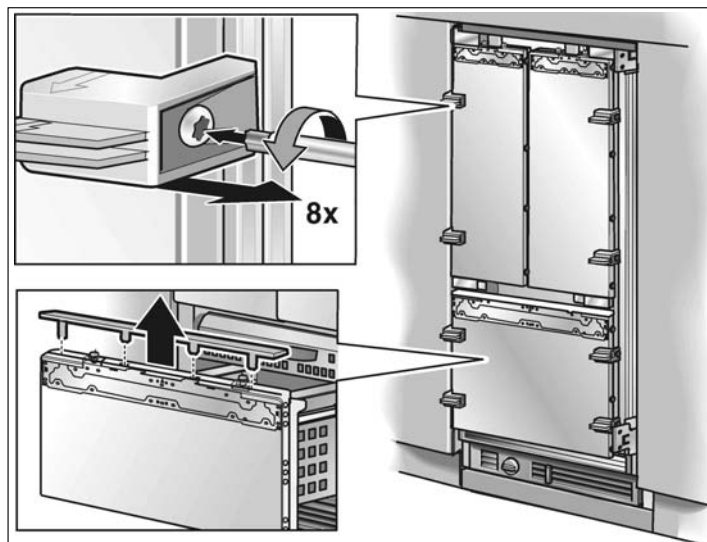
Pour parvenir à la plus haute précision possible des cotes interstitielles lors de la fixation des portes de meuble, nous recommandons de mettre des poids dans les casiers en contre-porte.

Recommandations :

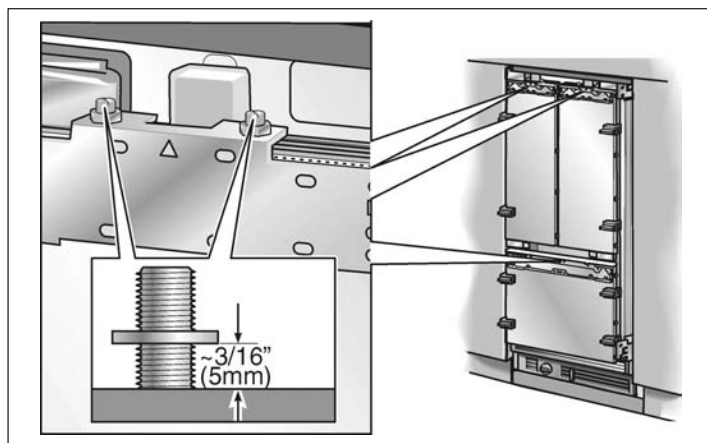
compartiment réfrigérateur	26 lbs/12 kg (par porte)
compartiment congélateur	22 lbs/10 kg

17. Fixation du rail d'ajustage contre la porte du meuble (compartiment réfrigérateur)

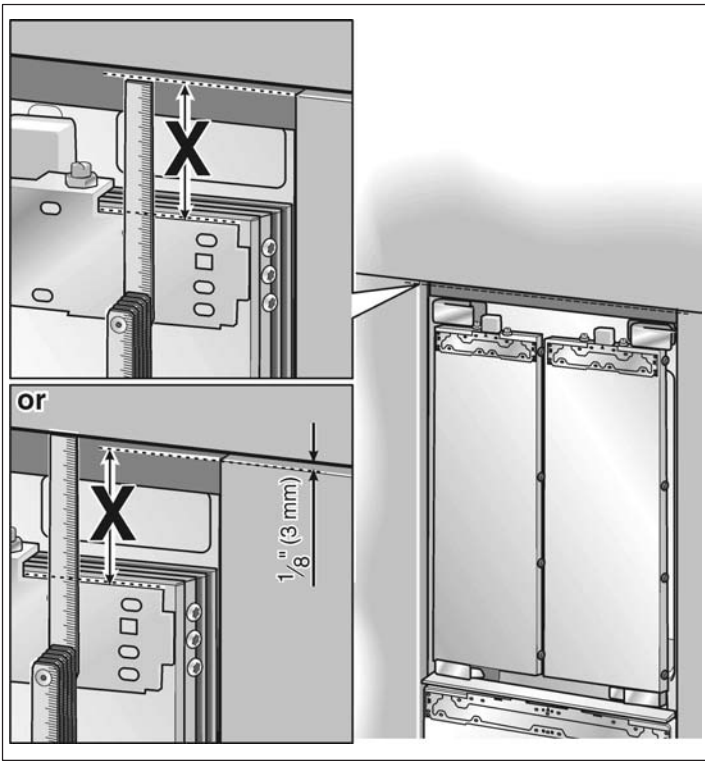
i Le rail d'ajustage constitue le moyen le plus important pour ajuster la façade du meuble.



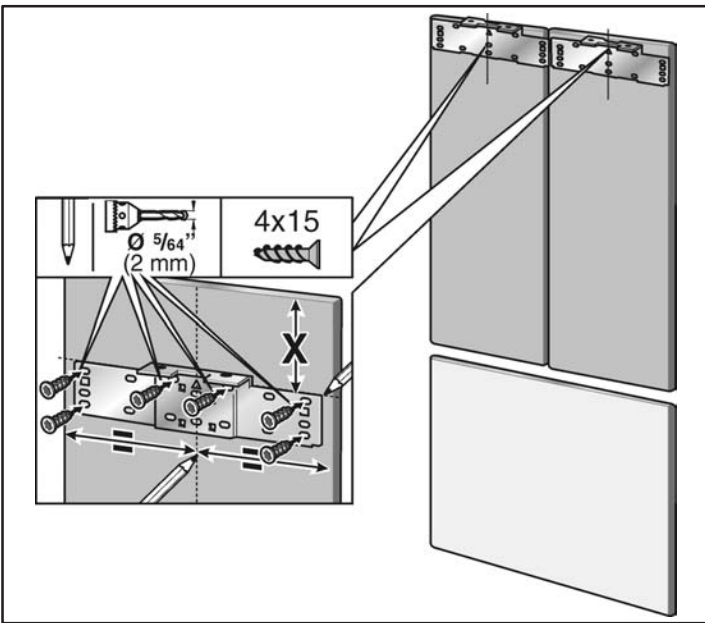
- De la porte de l'appareil, dévissez la pièce support d'installation.
- Retirez la plaque supérieure de la porte du compartiment réfrigérateur.



i Sur le rail d'ajustage, vérifiez les boulons à double filetage. Tous deux doivent faire saillie de $\frac{3}{16}$ " (5 mm) de la porte.



- ❑ Mesurez la distance X entre le rail d'ajustage et le meuble/les appareillages situés au-dessus.
- ❑ Desserrez les 2 écrous et retirez le rail d'ajustage.

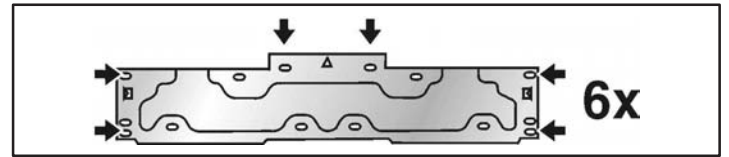


- ❑ Marquez cette distance X au dos de la porte du meuble.
- ❑ Déterminez et marquez le centre de la porte du meuble.
- ❑ Montez le rail d'ajustage et alignez le long des marquages. Marquez les emplacements des trous de perçage.
- ❑ Percez les trous.

- ❑ Vissez à fond le rail d'ajustage.

i Remarque:

- Vissez le rail d'ajustage contre la porte du meuble à l'aide d'au moins 6 vis. Il faudrait insérer chaque vis sous chaque boulon à double filetage.

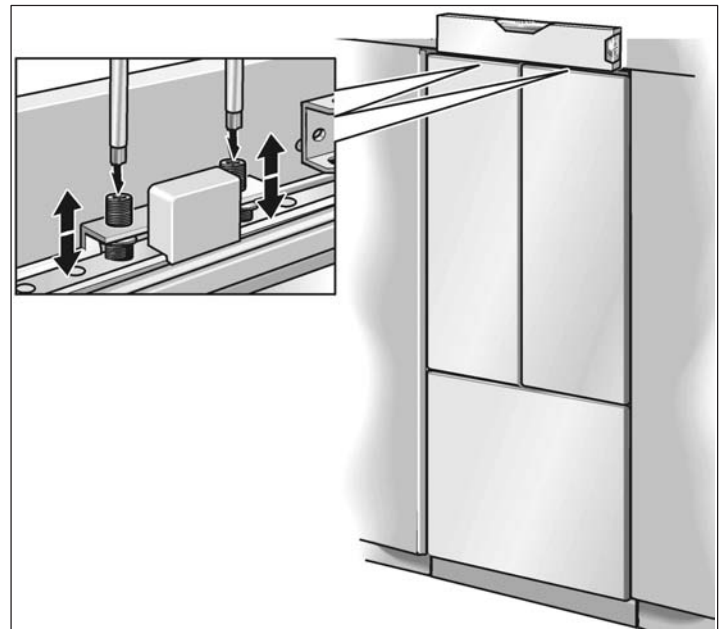


- Le rail d'ajustage comporte un ensemble de trous adaptés à différentes options de configuration des portes de meuble. Vissez toujours dans le matériau de la porte de meuble le mieux en mesure de supporter la charge.

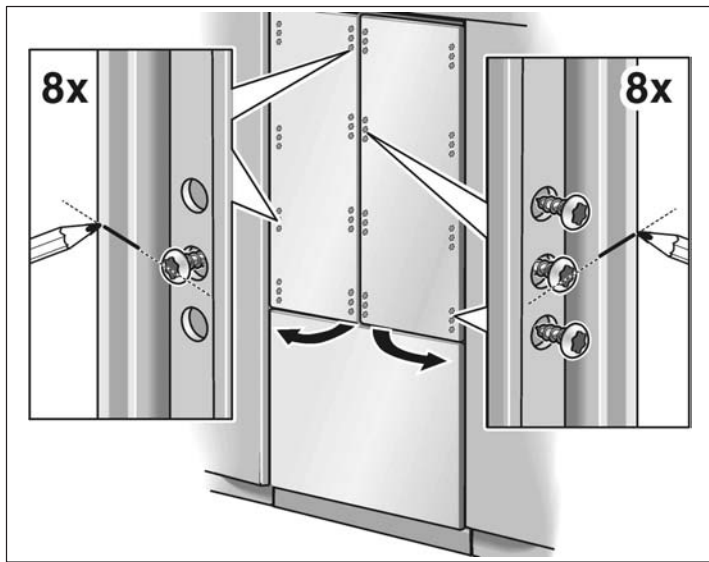
18. Fixation et alignement de la porte de meuble (compartiment réfrigérateur)

i Les boulons à double filetage sont chargés d'ajuster la façade du meuble en hauteur.

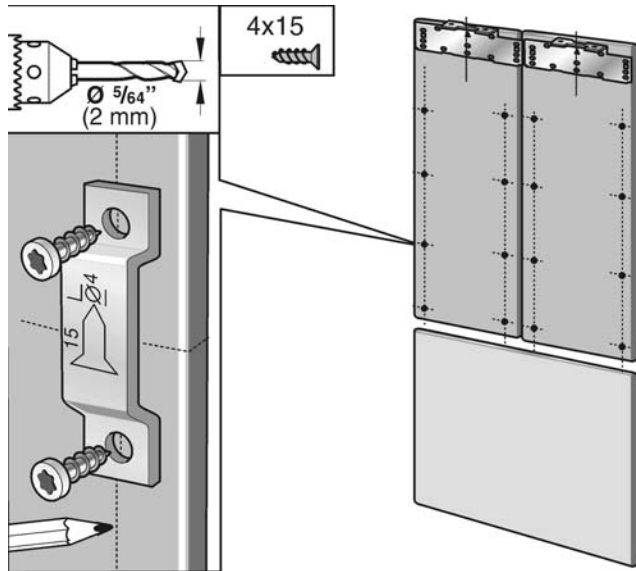
- ❑ Accrochez la porte du meuble contre le boulon à double filetage.



- ❑ Alignez la porte du meuble à l'aide des boulons à double filetage (tournevis Torx).



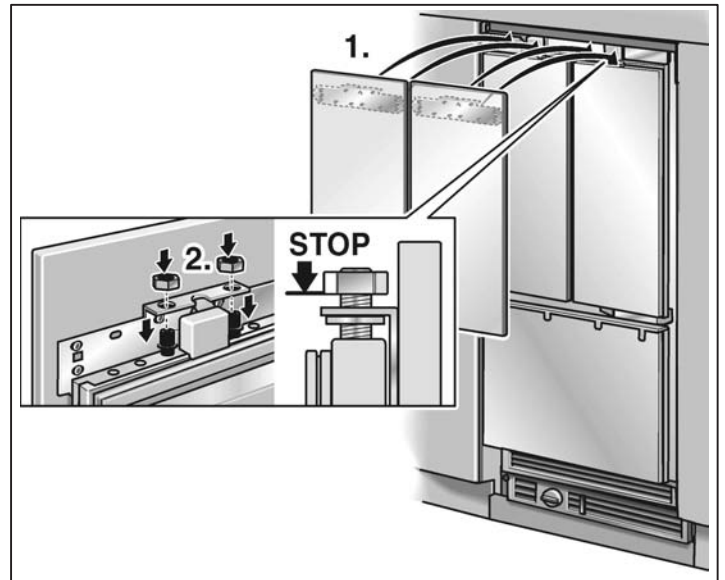
- Reportez les trous de perçage médians, situés le long du bord extérieur de la porte de l'appareil, contre la façade du meuble et marquez-les.
- Retirez la porte du meuble.



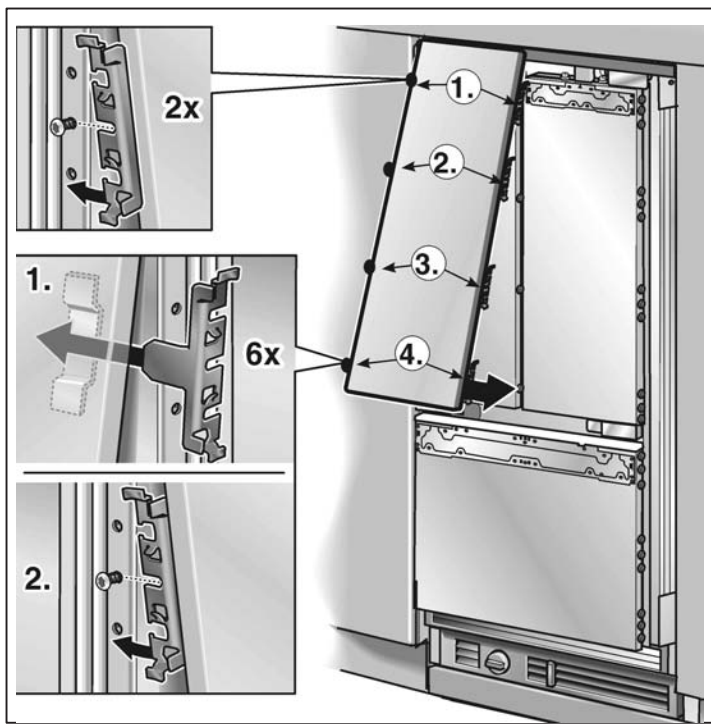
- Tracez une ligne verticale sous les trous de fixation situés le plus à l'extérieur sur le rail d'ajustage.
- A l'aide d'une équerre, reliez les marquages (que vous venez d'effectuer) des trous de perçage avec les marquages verticaux
- Marquez et percez les trous.
- Vissez les plaques de fixation (10x)

19. Fixation de la porte de meuble (compartiment réfrigérateur)

- i** Maintenant, fixez les poignées du meuble. Elles se vissent par l'arrière !



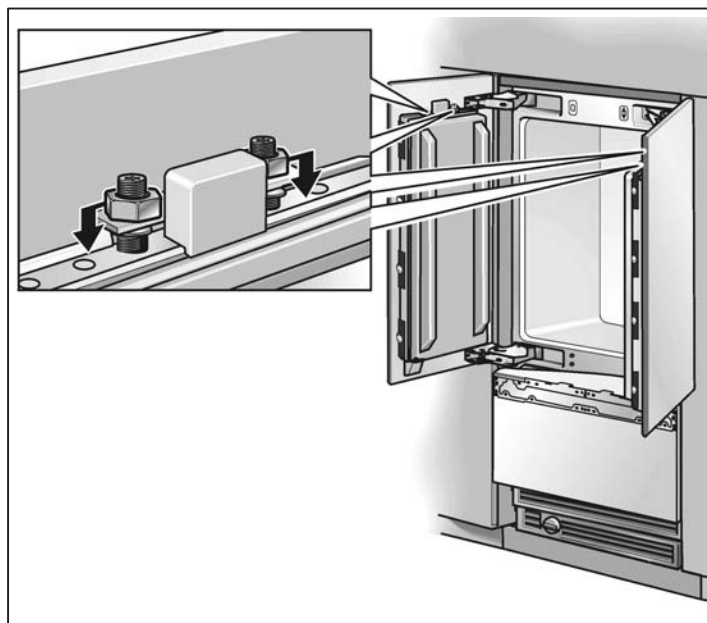
- Accrochez la porte du meuble avec le rail d'ajustage par le biais des boulons à double filetage.
- Vissez un peu les écrous sur les boulons à double filetage. Ne serrez pas !
- Ajustez la porte du meuble avec précision.
Alignez la porte du meuble avec les boulons à double filetage (utilisez un tournevis Torx).



- ❑ Fixez la bride :
 - Soulevez légèrement la porte du meuble pour l'éloigner de la porte de l'appareil.
 - Poussez la bride latérale (①.) sur la gauche et la droite pour qu'elle arrive au dessus des vis.
 - Insérez la bride latérale (②.) sur la gauche et la droite dans la plaque de fixation et faites-la glisser sur la vis.
Abaissez doucement la porte.

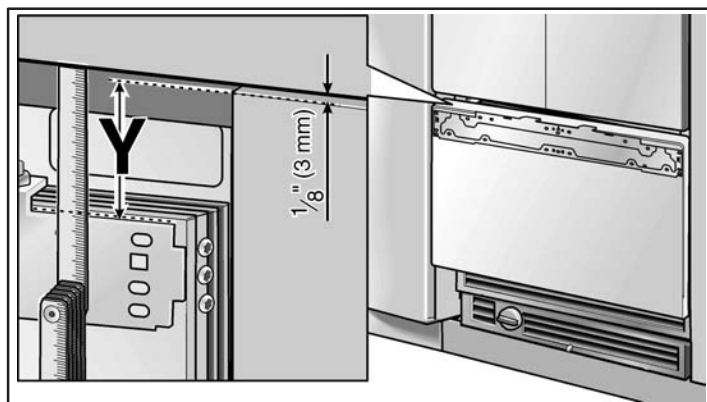
Poursuivez cette opération jusqu'à ce que les dernières brides latérales (⑥.) aient été insérées dans les plaques de fixation et positionnées sur les vis.

- ❑ **i** Les deux brides supérieures (①.) – sur les côtés gauche et droit) ne présentent pas de pièce latérale permettant l'insertion dans les plaques de fixation.
- ❑ Fermez la porte et vérifiez que la profondeur de la façade de meuble est alignée sur les façades adjacentes. Corrigez si nécessaire.
- ❑ Serrez les vis des brides pour figer la profondeur d'alignement.
- ❑ Refermez la porte et vérifiez l'alignement latéral. Corrigez en tapant légèrement avec la main sur le bord de la porte ouverte du meuble.

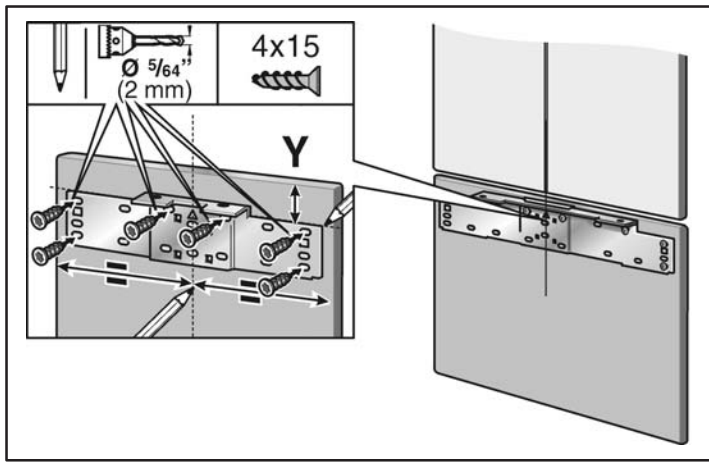


- ❑ Serrez les écrous sur le rail d'ajustage. Cette action fige l'alignement latéral de la porte.

20. Fixation du rail d'ajustage contre la porte du meuble (compartiment réfrigérateur)



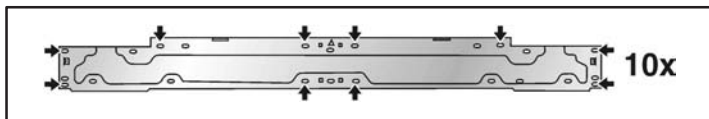
- ❑ Mesurez la distance Y entre le rail d'ajustage et le meuble/les appareils situés au-dessus.
- ❑ Desserrez les 2 écrous et retirez le rail d'ajustage.



- Marquez cette distance X au dos de la porte du meuble.
- Déterminez et marquez le centre de la porte du meuble.
- Montez le rail d'ajustage et alignez le long des marquages. Marquez les emplacements des trous de perçage.
- Percez les trous.
- Vissez à fond le rail d'ajustage.

i Remarque:

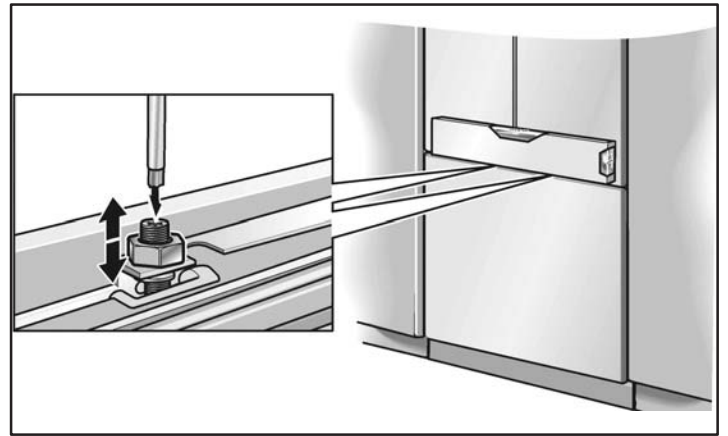
- Vissez le rail d'ajustage contre la porte du meuble à l'aide d'au moins 6 vis. Il faudrait insérer chaque vis sous chaque boulon à double filetage.



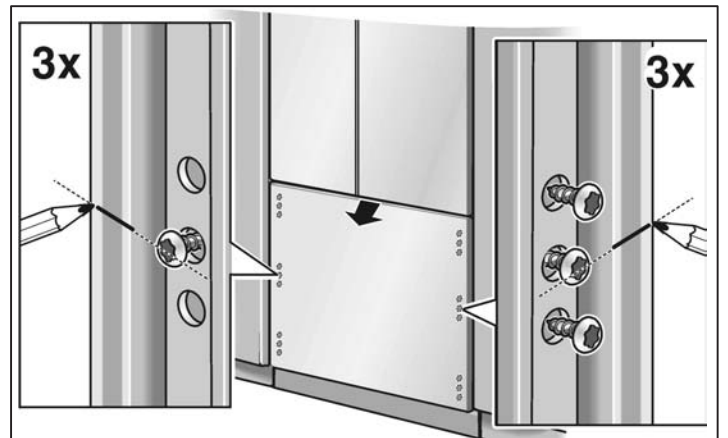
- Le rail d'ajustage comporte un ensemble de trous adaptés à différentes options de configuration des portes de meuble. Vissez toujours dans le matériau de la porte de meuble le mieux en mesure de supporter la charge.

21. Fixation et alignement de la porte de meuble (compartiment réfrigérateur)

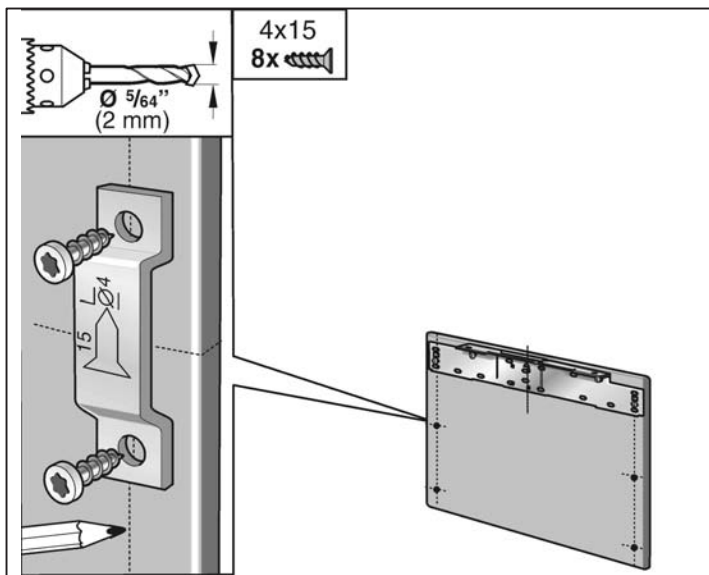
- i** Les boulons à double filetage sont chargés d'ajuster la façade du meuble en hauteur.
- Accrochez la porte du meuble contre le boulon à double filetage.



- Alignez la porte du meuble à l'aide des boulons à double filetage (tournevis Torx).



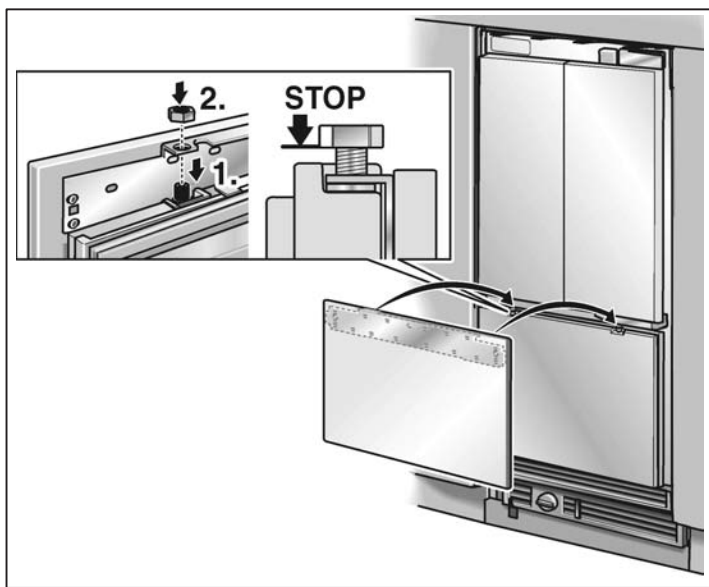
- Reportez les trous de perçage médians, situés le long du bord extérieur de la porte de l'appareil, contre la façade du meuble et marquez-les.
- Retirez la porte du meuble.



- ❑ Tracez une ligne verticale sous les trous de fixation situés le plus à l'extérieur sur le rail d'ajustage.
- ❑ A l'aide d'une équerre, reliez les marquages (que vous venez d'effectuer) des trous de perçage avec les marquages verticaux
- ❑ Marquez et percez les trous.
- ❑ Vissez les plaques de fixation (10x)

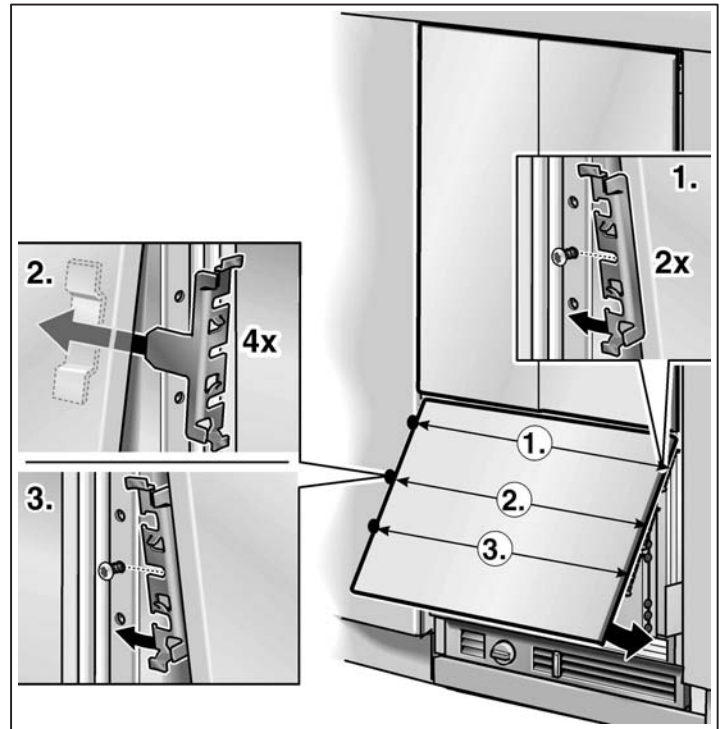
22. Fixation de la porte de meuble (compartiment réfrigérateur)

- i** Maintenant, fixez les poignées du meuble. Elles se vissent par l'arrière !



- ❑ Accrochez la porte du meuble avec le rail d'ajustage par le biais des boulons à double filetage.
- ❑ Vissez un peu les écrous sur les boulons à double filetage. Ne serrez pas !

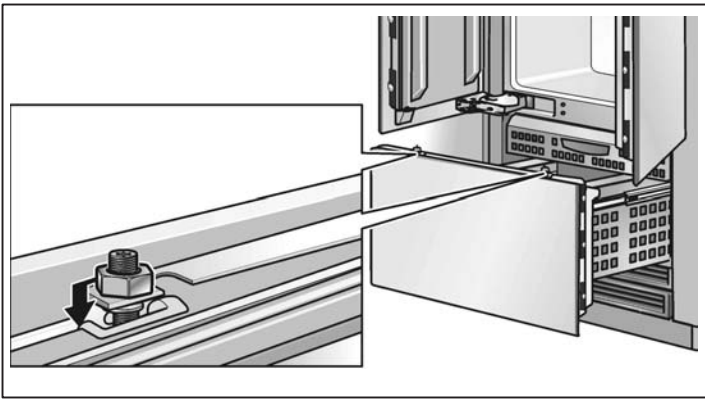
- ❑ Ajustez la porte du meuble avec précision. Alignez la porte du meuble avec les boulons à double filetage (utilisez un tournevis Torx).



- ❑ Fixez la bride :
 - Soulevez légèrement la porte du meuble pour l'éloigner de la porte de l'appareil.
 - Poussez la bride latérale (①.) sur la gauche et la droite pour qu'elle arrive au dessus des vis.
 - Insérez la bride latérale (②.) sur la gauche et la droite dans la plaque de fixation et faites-la glisser sur la vis.
 Abaissez doucement la porte.

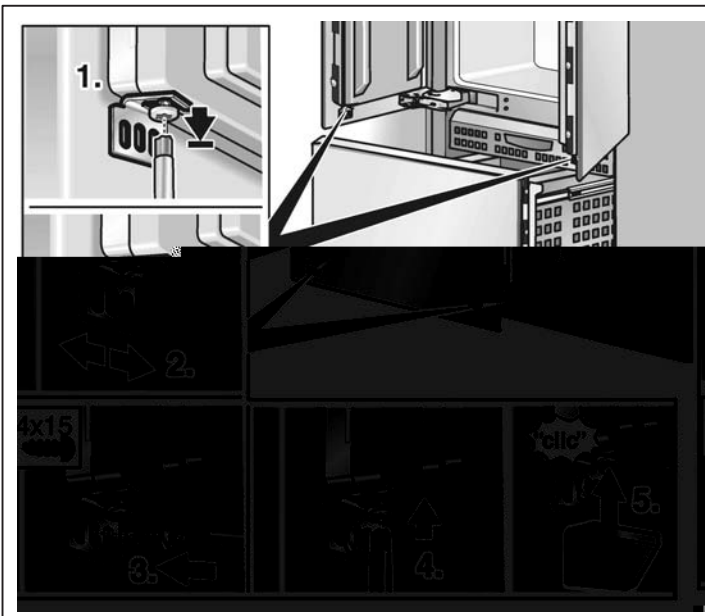
Poursuivez cette opération jusqu'à ce que les dernières brides latérales (⑥.) aient été insérées dans les plaques de fixation et positionnées sur les vis.

- i** Les deux brides supérieures (①.) – sur les côtés gauche et droit) ne présentent pas de pièce latérale permettant l'insertion dans les plaques de fixation.
- ❑ Fermez la porte et vérifiez que la profondeur de la façade de meuble est alignée sur les façades adjacentes. Corrigez si nécessaire.
- ❑ Serrez les vis des brides pour figer la profondeur d'alignement.
- ❑ Refermez la porte et vérifiez l'alignement latéral. Corrigez en tapant légèrement avec la main sur le bord de la porte ouverte du meuble.



- ❑ Serrez les écrous sur le rail d'ajustage. Cette action fige l'alignement latéral de la porte.

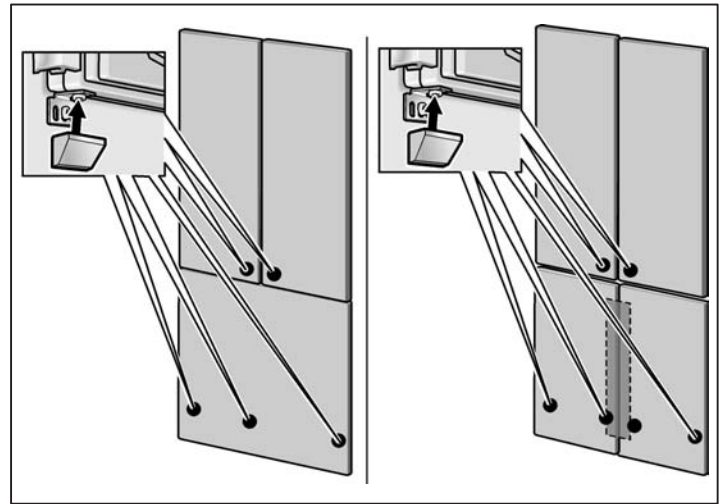
23. Fixation des brides inférieures



- ❑ Vissez les brides inférieures. Percez des trous préparatoires dans la porte du meuble !

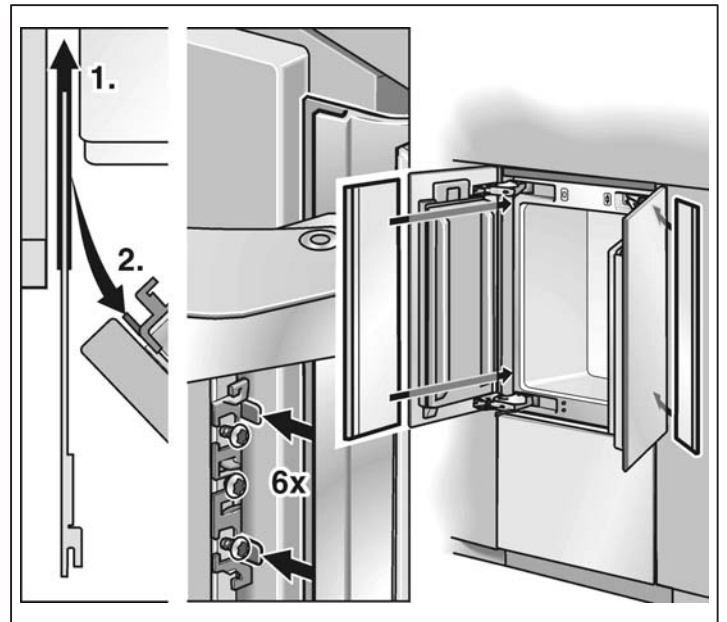
La bride inférieure fige la position latérale de la porte.

1. Desserrez la vis.
2. Vérifiez la position latérale de la porte.
3. Vissez la vis à bois.
4. Serrez la vis.
5. Fixez le couvercle sur les brides.

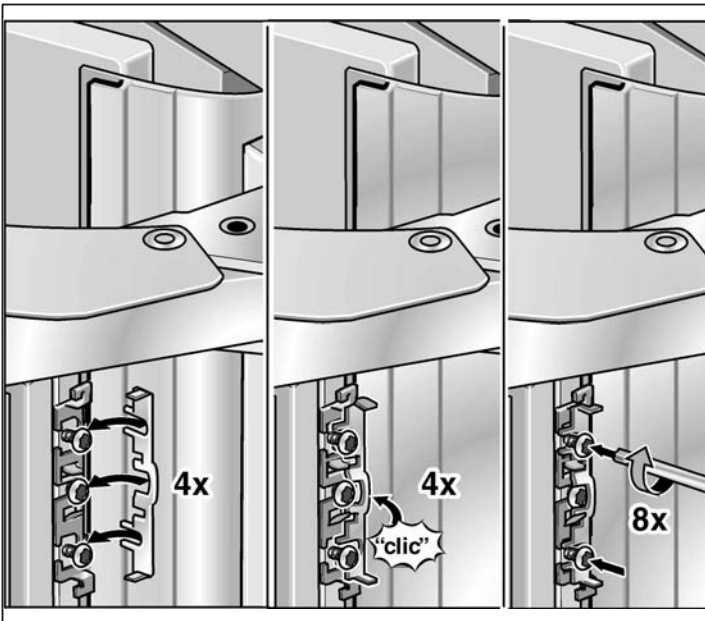


- i** Le nombre de brides inférieures dépend de la largeur et de la conception de la porte du meuble.

24. Fixation du bandeau protège-doigts

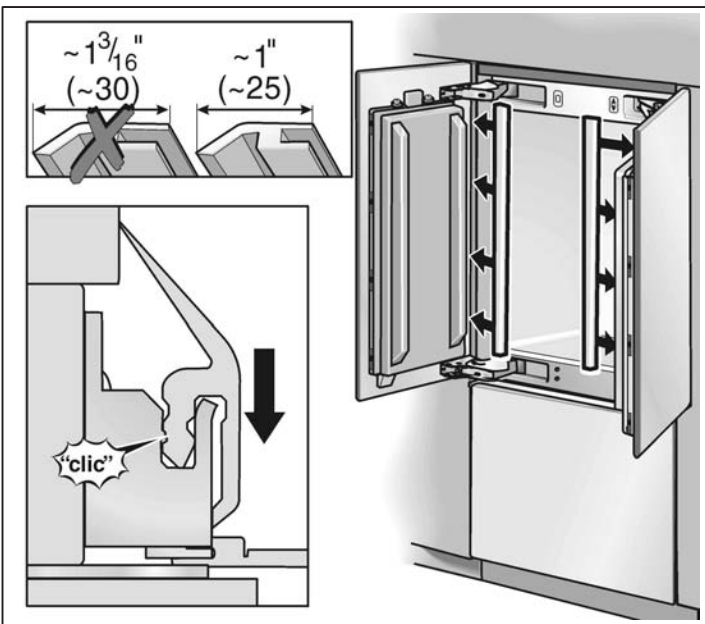


- ❑ Insérez le bandeau protège-doigts dans l'interstice entre l'appareil et le meuble adjacent (1.).
- ❑ Briquez le bandeau protège-doigts sous les brides (2.).



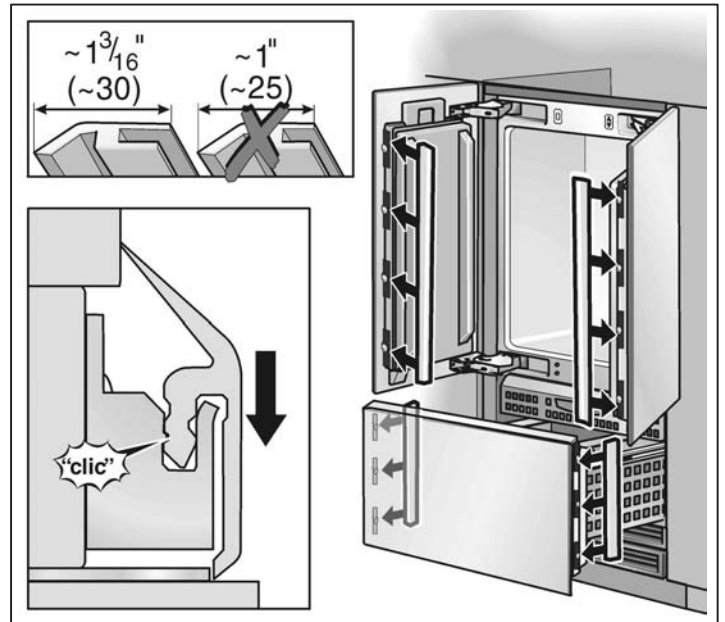
- ☐ Poussez la coiffe sur la bride et vissez à fond.

25. Fixation des couvercles

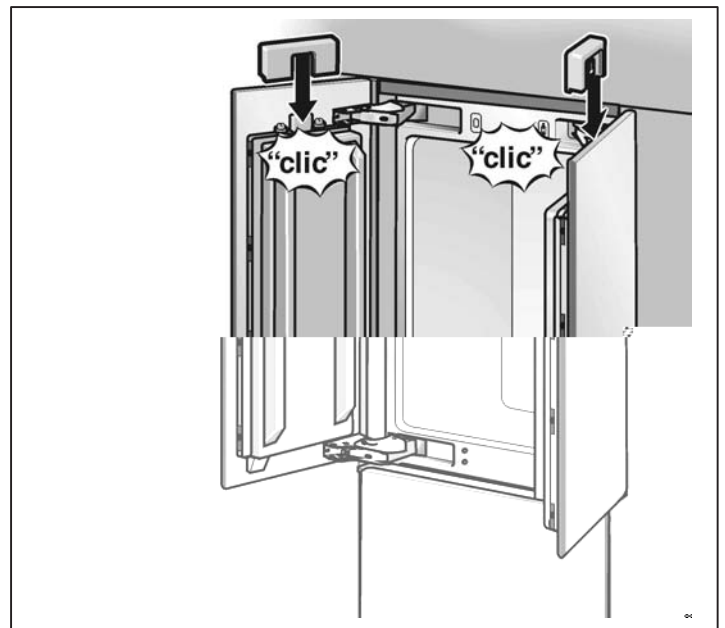


- ☐ Placez la bande couvercle verticale sur le bandeau protège-doigts.

- i** La pièce latérale de la bande couvercle est plus courte sur le côté sur lequel le bandeau protège-doigts a été fixé.

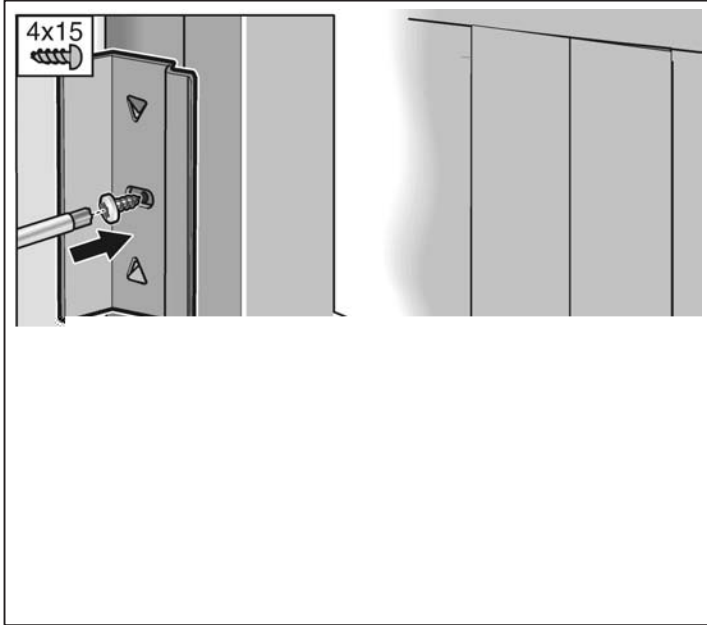


- ☐ Placez les bandes couvercles contre la porte.

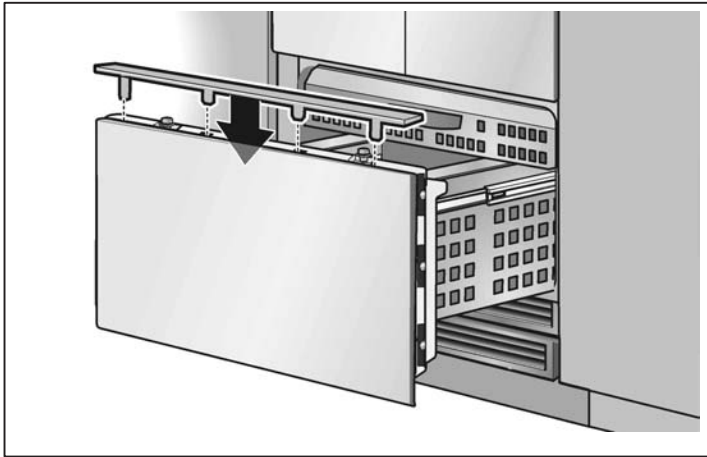


- ☐ Fixez le couvercle de l'interrupteur d'éclairage.

- ❑ Insérez la bande couvercle dans l'interstice situé entre les appareils (installation côte à côte uniquement).



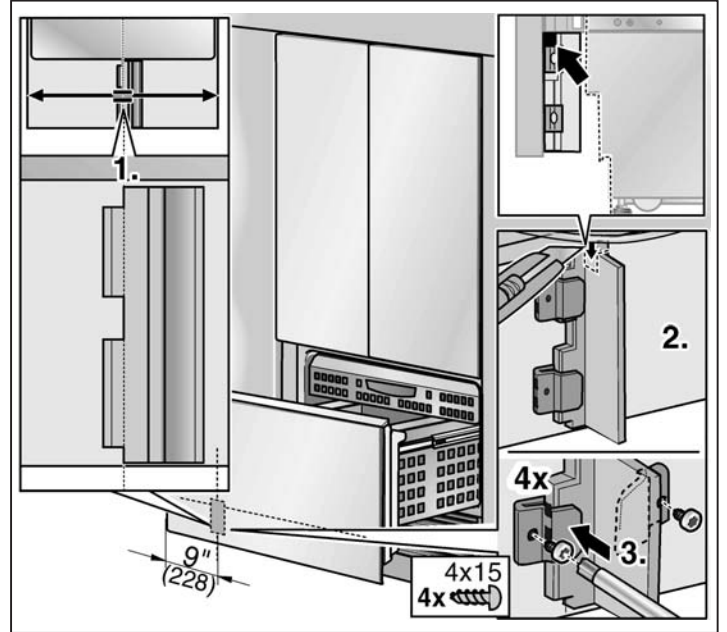
- A Appareil
- B Meuble
- ❑ Vissez les brides (latéralement) destinées à retenir la bande couvercle. Fixez la bande couvercle contre la plaque de fixation et les brides (latéralement). (Appareils individuels uniquement).



- ❑ Insérez la plaque supérieure sur la porte du compartiment réfrigérateur.

26. Montage du séparateur d'air

Vissez le séparateur d'air contre la porte du meuble afin de séparer l'air entrant et l'air sortant.



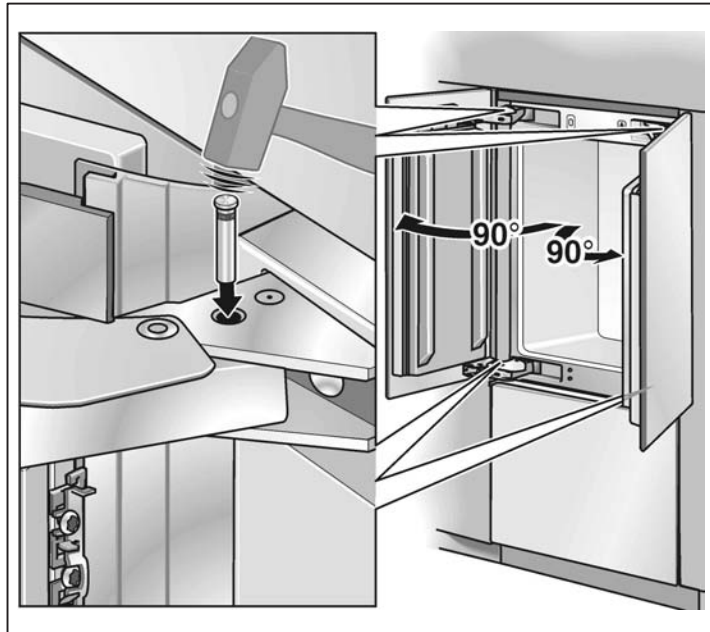
- ❑ Raccourcissez le séparateur d'air à la longueur requise.
- ❑ Fixez le séparateur d'air au moyen de 2 brides.
Comme l'indique l'illustration, alignez le séparateur d'air sur la ligne médiane de la porte.
- i** Appareils équipés d'un distributeur de glaçons :
Il faut découper le séparateur d'air dans la zone du flexible.

27. Ajustage de l'angle d'ouverture de porte

Suivant les conditions d'installation, il pourra être nécessaire d'ajuster l'angle d'ouverture de la porte. Un angle d'ouverture de 115° a été ajusté en usine.

Pour conférer à la porte un angle d'ouverture de 90° :

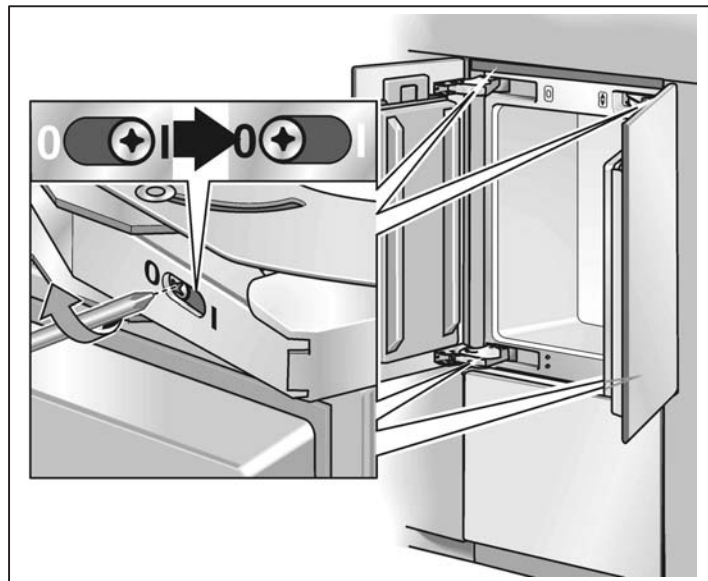
- ❑ Ouvrez la porte à 90°.



- ❑ Introduisez la tige de limitation à travers les deux alésages superposés puis enfoncez-la à l'aide d'un marteau.

28. Changement du ressort de porte

Pour ajuster le ressort de porte :



- ❑ A l'aide d'un tournevis à empreinte cruciforme, tournez la vis d'ajustage

I = Plus forte tension possible du ressort

0 = Pas de tension ressort

Índice

Antes de comenzar	65
Definiciones	65
Información importante	65
Opciones de instalación	66
Unidad individual	66
Side-by-Side (Lado a lado)	66
Electrodomésticos individuales con separación	66
En el final de las unidades de cocina	66
Emplazamiento de la instalación	67
Ambiente de emplazamiento	67
Cavidad de instalación	67
Muebles y adornos	67
Base	67
Conexión a la red de alimentación	68
Procedimiento de puesta a tierra adicional	68
Instrucciones de conexión a tierra	68
Conexión del agua	68
Medidas de instalación	69
Instalación simple	69
Instalación Side-by-Side (Lado a lado)	70
Medidas del electrodoméstico	71
Accesorios y herramientas necesarias	72
1. Accesorios que forman parte del volumen de entrega	72
2. Accesorios opcionales.	72
3. Otros accesorios necesarios para salidas especiales	72
4. Herramientas	72
5. Otros	72
Instrucciones de instalación	73
1. Control de la cavidad para la instalación	73
2. Desembalaje	73
3. Preparación del electrodoméstico	74
4. Preparación de la cavidad de instalación	74
5. Montaje de un dispositivo antivuelco adicional	76
6. Preparación para conectar el agua	76
7. Protección de los bordes	77
8. Instalación Side-by-Side (Lado a lado)	77
9. Colocando el electrodoméstico en la cavidad de instalación	77

10. Instalación y alineación del electrodoméstico	78
11. Sujetando el electrodoméstico a la parte superior de la cavidad	79
12. Sujeción del electrodoméstico individual en los laterales de la cavidad	80
13. Conexión del agua al electrodoméstico	80
14. Sujeción del panel de protección	81
15. Preparación de las puertas del mueble	82
16. Carga admisible en la puerta del electrodoméstico	83
17. Montaje del riel de ajuste en la puerta del mueble (compartimento frigorífico)	83
18. Sujeción y alineación de la puerta del mueble (compartimento frigorífico)	84
19. Sujeción de la puerta del mueble (compartimento frigorífico)	85
20. Montaje del riel de ajuste en la puerta del mueble (compartimento de congelación)	86
21. Sujeción y alineación de la puerta del mueble (compartimento de congelación)	87
22. Sujeción de la puerta del mueble (compartimento de congelación)	88
23. Montaje de los soportes inferiores	89
24. Montaje de la protección para los dedos	89
25. Montaje de las cubiertas	90
26. Montaje del separador de aire	91
27. Ajuste del ángulo de apertura de la puerta	92
28. Cambio del muelle de la puerta	92

Antes de comenzar

Lea estas instrucciones completamente y con detenimiento.

IMPORTANTE

Guarde estas instrucciones para el uso del inspector local. Tenga en cuenta todas las disposiciones y ordenanzas gubernamentales.

Nota para instalador—Asegúrese de dejar estas instrucciones al usuario.

Nota para el usuario—Guarde estas instrucciones con su manual para el propietario.

ADVERTENCIA

Este electrodoméstico debe conectarse correctamente a tierra. Consulte la sección "Conexión de la alimentación" en página 68.

ADVERTENCIA



La parte superior de este electrodoméstico es más pesada que la de abajo, por lo que se lo debe asegurar a fin de evitar que vuelque hacia delante. Se requiere de una protección antivuelco.

Mantenga las puertas cerradas hasta que el electrodoméstico esté completamente instalado y asegurado según las instrucciones de instalación.

Debido al peso y las dimensiones del electrodoméstico y a fin de reducir el riesgo de lesiones personales o de daños al producto – SE REQUIERE DE DOS PERSONAS PARA UNA INSTALACIÓN ADECUADA.

CUIDADO

Una instalación adecuada de este electrodoméstico requiere de conocimientos específicos básicos en mecánica, carpintería y fontanería. Fallos en el producto debido a una instalación inadecuada no están cubiertos por la garantía. Consulte el manual del usuario por la información concerniente a la garantía.

ADVERTENCIA

Utilice el electrodoméstico exclusivamente para lo que ha sido previsto.

Repáre o cambie inmediatamente los cables eléctricos si están gastados o dañados.

Desenchufe el electrodoméstico o desactive el fusible antes de limpiar o efectuar reparaciones.

Las reparaciones debe efectuarlas un técnico calificado.

Estas instrucciones de instalación se entienden para ser usadas por instaladores calificados. Todas las conexiones de agua, alimentación eléctrica y conexión a tierra, deben cumplir con las prescripciones y ordenanzas locales y deben ser realizadas por personal con las licencias correspondientes si así se lo requiere. En ausencia de prescripciones locales:

- en los E.E.U.U., de acuerdo con el National Electric Code, ANSI/NFPA70 – última edición/prescripciones municipales y/o locales.
- En Canadá, de acuerdo con el Canadian Electric Code C22.1 – última edición prescripciones municipales y/o locales.

Definiciones



ADVERTENCIA



ADVERTENCIA – indica que existe peligro de lesiones graves y aún de muerte, que pueden ocurrir como resultado de la inobservancia de esta advertencia.



CUIDADO



CUIDADO – indica que pueden producirse lesiones menores o daños que pueden ocurrir como resultado de la inobservancia de esta advertencia.



Este símbolo se utiliza para llamar la atención del usuario respecto de algo en particular.

Información importante

No se puede enfatizar suficientemente la importancia de cumplir con todas las disposiciones e instrucciones contenidas en este manual. La instalación debe realizarla un instalador calificado.

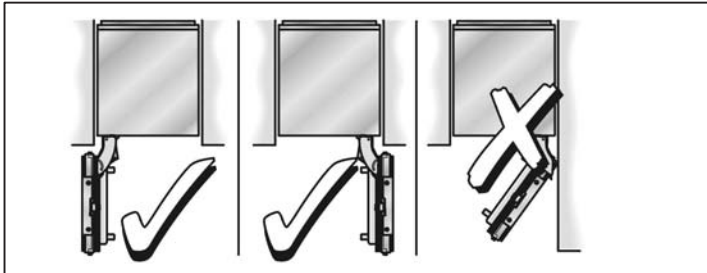
Antes de comenzar con la instalación, lea este manual completamente. Contiene detalles importantes, que el instalador debe observar. Siempre que se haya leído prolijamente, la instalación será simple, sin problemas y ante todo, segura.

Opciones de instalación

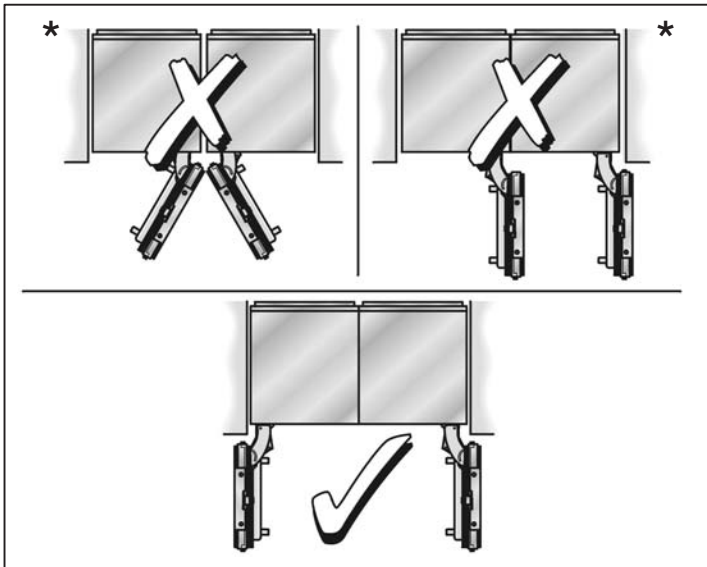
Existen diversas opciones de instalación.

Están limitadas exclusivamente por el diseño de la cocina y la función de la protección para los dedos.

Unidad individual



Side-by-Side (Lado a lado)



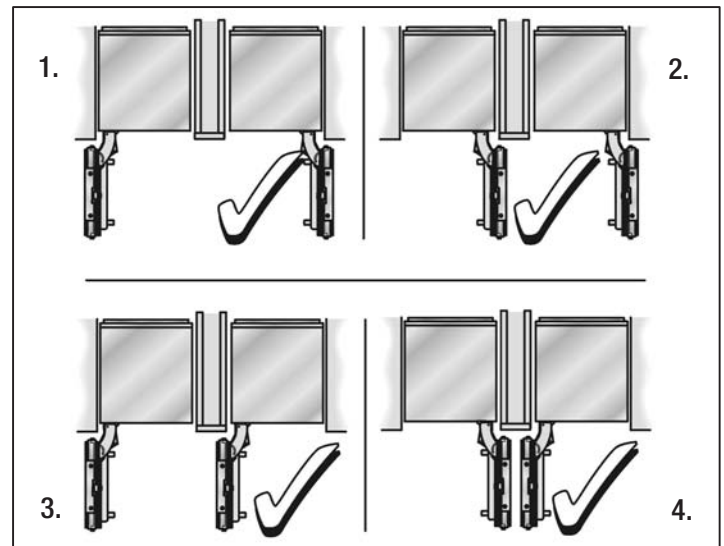
* ¡Separación requerida!

i Si instala 2 electrodomésticos lado a lado, debe utilizar un juego **Basic Combination Side-by-Side Sealing kit «BSEALKIT10»** (combinación básico y sellado lado a lado) a fin de asegurar una unión estable.

Si combina 2 electrodomésticos con función de congelamiento (es decir 2 congeladoras, o un refrigerador abajo y un congelador), utilice el juego **Extreme Combination Side-by-Side Heating kit «XHEATKIT10»** (combinación lado a lado y calentamiento).

Vea la sección de «Accesorios opcionales» en página 72.

Electrodomésticos individuales con separación



i Nota

- Si dimensiona los espacios para el modelo 4, tenga en cuenta el espesor de los paneles frontales de los muebles, a fin de evitar daños si se abren las dos puertas simultáneamente.
- Utilice el **Extreme Combination Side-by-Side Heating kit «XHEATKIT10»** (combinación básico y sellado lado a lado)
 - a) si el espacio entre los dos electrodomésticos es menor que 6" (160 mm),.
 - b) para una conexión permanente de dos electrodomésticos individuales, p. ej. congelador o electrodoméstico de montaje inferior cercano al congelador.

Consulte la sección «Accesorios opcionales» en página 72.

- La separación mínima debe ser de $\frac{5}{8}$ " (16 mm).

En el final de las unidades de cocina

Si uno de los lados del electrodoméstico está a la vista, debe colocarse un panel lateral.

El panel lateral debe sujetarse firmemente en la pared, el piso y el mueble o adorno superpuesto antes de colocar el electrodoméstico en la cavidad.

Las dimensiones del panel lateral, deben tomarse en la pared opuesta de la cavidad. Controle durante la instalación que la cavidad esté a escuadra y que tenga las dimensiones adecuadas.

Emplazamiento de la instalación



ADVERTENCIA



No instale el electrodoméstico:

- a la intemperie,
- en un ambiente donde gotee agua,
- en ambientes donde existe peligro de heladas.

El electrodoméstico es muy pesado. Por los pesos del equipo vacío, consulte la tabla siguiente:

BM (de montaje inferior) 36" aprox. 430 lbs/195 kg

Ambiente de emplazamiento

El electrodoméstico debe instalarse en un ambiente seco y bien ventilado.

La temperatura del ambiente no debe descender de los 55 °F (13 °C) o aumentar más allá de los 110 °F (43 °C). De lo contrario puede no funcionar correctamente.

El lugar de emplazamiento no debe estar expuesto a la luz solar directa, ni cerca de una fuente de calor como una estufa, radiador, etc.

Si es inevitable instalarlo cerca de una fuente de calor, utilice una placa aislante adecuada o asegure una distancia mínima respecto de la fuente de calor:

- 1 1/4" (30 mm) de un horno eléctrico,
- 12" (300 mm) de un horno a aceite o combustible seco.

Cavidad de instalación

Es importante observar las dimensiones especificadas para la cavidad de instalación a fin de garantizar una instalación del electrodoméstico sin problemas y para una vista general adecuada del mueble.



Controle particularmente que la cavidad esté a escuadra.

Esto puede controlarse con herramientas adecuadas, como un nivel de agua, mediciones en diagonal, etc.



Las paredes laterales de la cavidad deben ser planas.

El espesor mínimo de las paredes laterales y la pared superior debe ser de 5/8" (16 mm).

El espesor mínimo de panel de protección debe ser de 1/2" (23 mm).

Se recomienda un espesor de 3/4" (19 mm).

Muebles y adornos

El electrodoméstico debe atornillarse firmemente a los muebles o adornos adyacentes y superpuestos.

A tal fin es esencial que todos los muebles o adornos estén firmemente sujetos al suelo o las paredes con medios adecuados.

Base



ADVERTENCIA



Un electrodoméstico plenamente cargado es muy pesado. Consulte la tabla siguiente para la carga total requerida de la base:

BM (de montaje inferior) 36" aprox. 1200 lbs/540 kg

Para asegurar que el electrodoméstico esté firmemente montado y funcione correctamente, la base de apoyo debe ser plana y horizontal.

La base debe ser de material duro y rígido.

La zona de instalación deben presentar la misma altura que el resto del ambiente.

Para dar cuenta del elevado peso del electrodoméstico plenamente cargado, se requiere que la base resista la carga en cuestión. Si tiene dudas, consulte a un arquitecto o experto en construcción.

Conexión a la red de alimentación



ADVERTENCIA



Peligro de descargas eléctricas

- Conéctelo a un tomacorriente de 3 conductores con conexión a tierra.
- No desconecte el contacto de toma de tierra.
- No utilice adaptadores.
- No utilice cables de prolongación.

El incumplimiento de estas instrucciones puede ser causa de la muerte, incendios o descargas eléctricas.

El electrodoméstico se entrega con un conductor de alimentación de 3 cables, listado según UL.

El electrodoméstico requiere de un tomacorriente de 3 conductores.

Este tomacorriente debe instalarlo un electricista con la licencia debida.

Oriente el borne de puesta a tierra hacia abajo según se muestra en las figuras.

Por la ubicación de los tomacorrientes, consulte las «Medidas de emplazamiento» en página 69.

Procedimiento de puesta a tierra adicional

Algunas disposiciones locales exigen una puesta a tierra adicional. En este caso debe adquirirse por separado el cable, las grampas y los tornillos accesorios.

Nunca conecte a tierra el electrodoméstico en tuberías de plástico, de gas o de agua.

Instrucciones de conexión a tierra

Este electrodoméstico debe conectarse a tierra. En caso de un fallo en el funcionamiento o una rotura, la conexión a tierra reduce el riesgo de descargas eléctricas, proveyendo una vía de resistencia menor para la corriente eléctrica.



ADVERTENCIA



Una conexión inadecuada del conductor de puesta a tierra puede ser causa de una descarga eléctrica. Haga controlar el electrodoméstico por un electricista calificado o personal del servicio técnico si tiene dudas respecto de una conexión a tierra correcta.

Conexión del agua

Se requiere de una conexión de agua fría, para el funcionamiento del generador automático de hielo. La presión del agua debe estar comprendida entre 25 a 120 p.s.i. (1,72 a 8.25 bar).

La instalación debe cumplir con las reglamentaciones de tubería de agua locales y las leyes nacionales correspondientes.

Debe instalarse una válvula de cierre en la conexión de agua del electrodoméstico.

La válvula de cierre no debe encontrarse detrás del electrodoméstico. Se recomienda instalar dicha válvula en la cercanía inmediata del electrodoméstico (unidad base) o en otra zona de fácil acceso.

Durante la instalación del agua, observe las zonas de instalación permitidas para la tubería. Por las zona mencionadas y sus medidas, consulte «Medidas de instalación» en página 69.

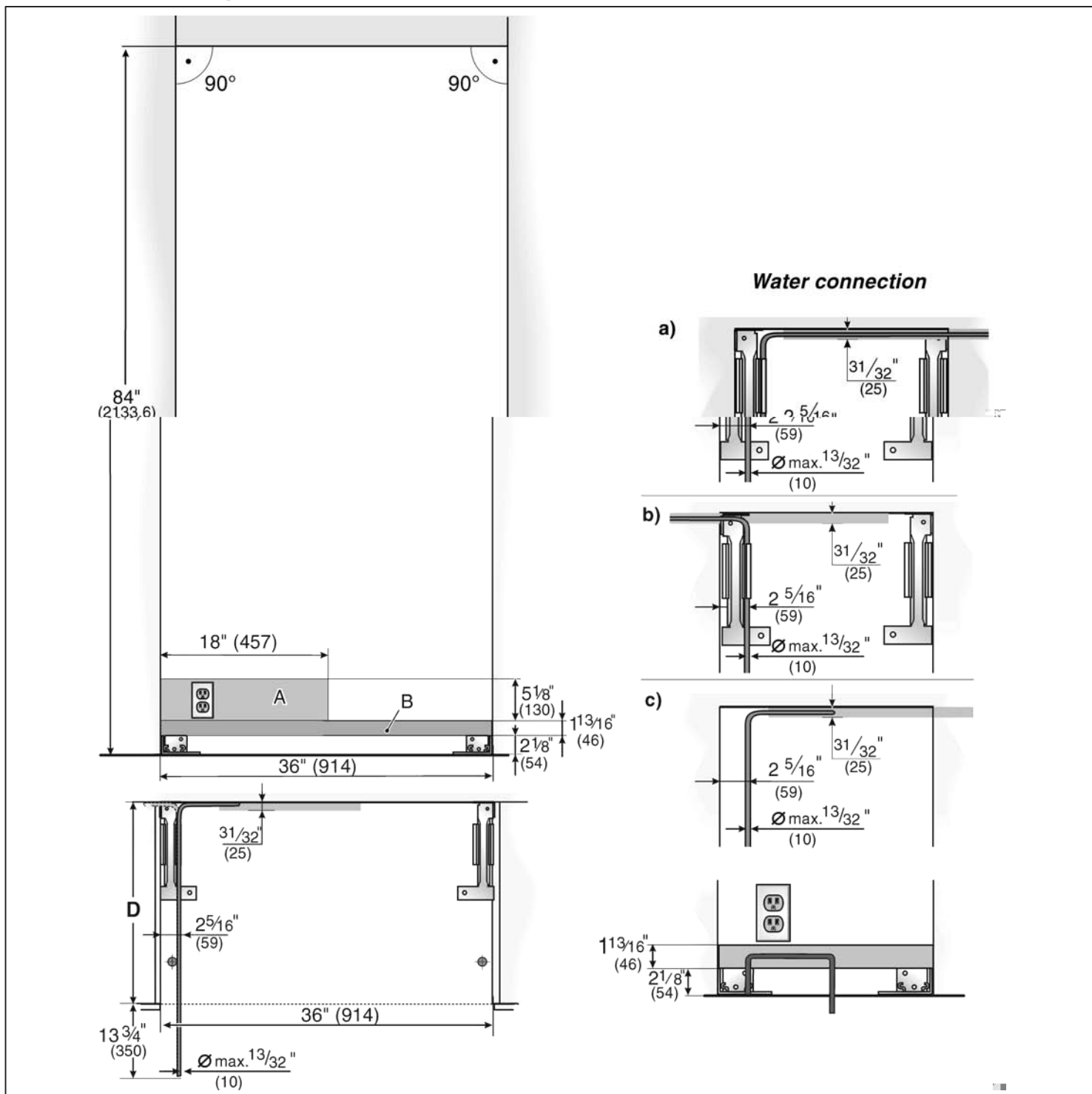
La tubería de alimentación puede ubicarse al costado derecho (a), al costado izquierdo (b), o debajo (c).

El diámetro externo máximo de la tubería (sin las monturas): $1\frac{3}{32}$ " (10 mm).

Sujete la válvula para la conexión de agua, en un sitio de fácil acceso. ¡No utilice una válvula de conexión por perforado!

Medidas de instalación

Instalación simple



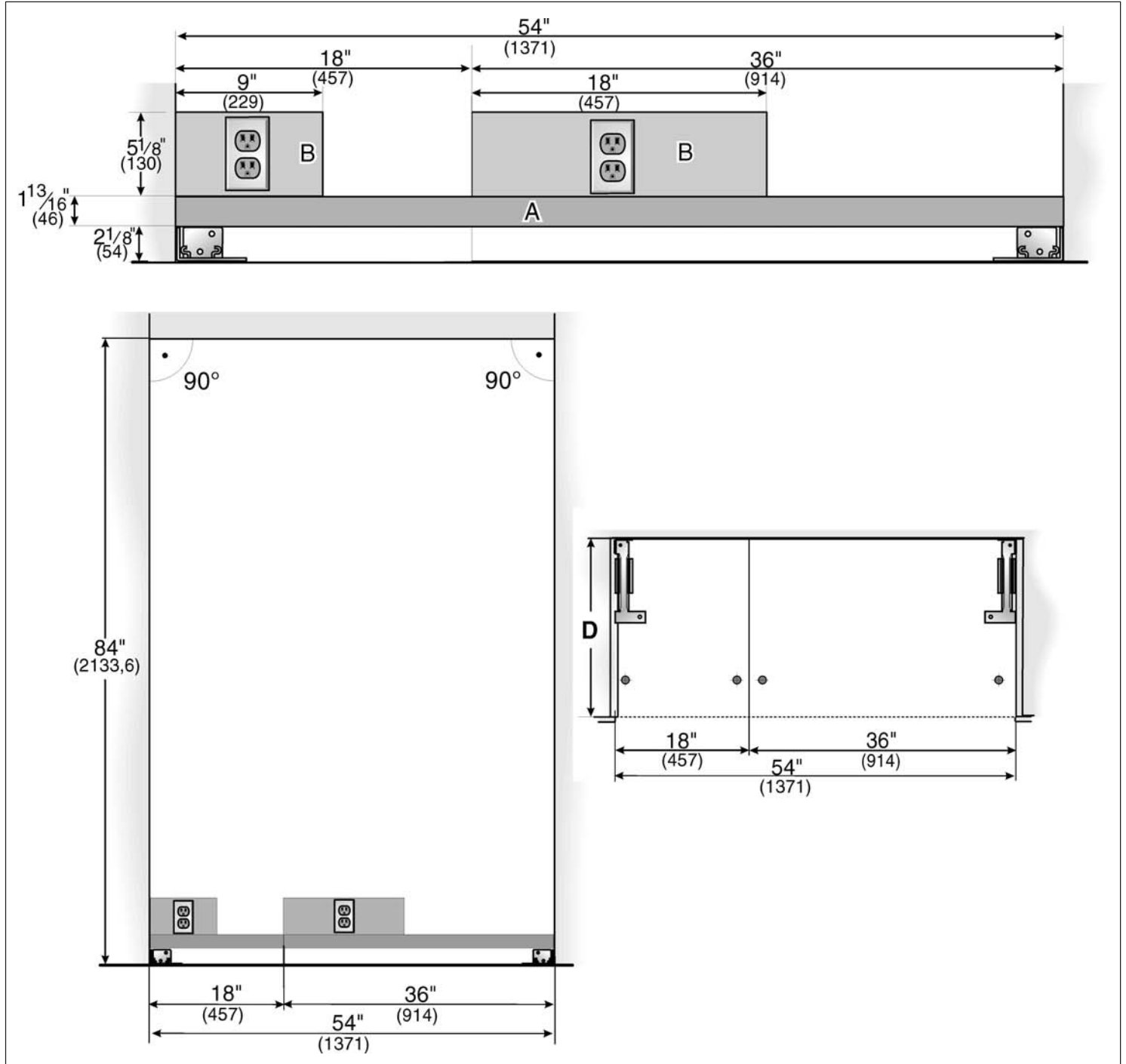
Instalación Side-by-Side (Lado a lado)

Las dimensiones para la cavidad indicadas arriba para el electrodoméstico correspondiente, deben aplicarse para la instalación Side-by-Side (Lado a lado) de dos electrodomésticos.

El ancho total de la cavidad resulta de la adición del ancho de la cavidad indicado para los dos electrodomésticos.

Ejemplo:

Congelador de 18"/Refrigerador de 30"



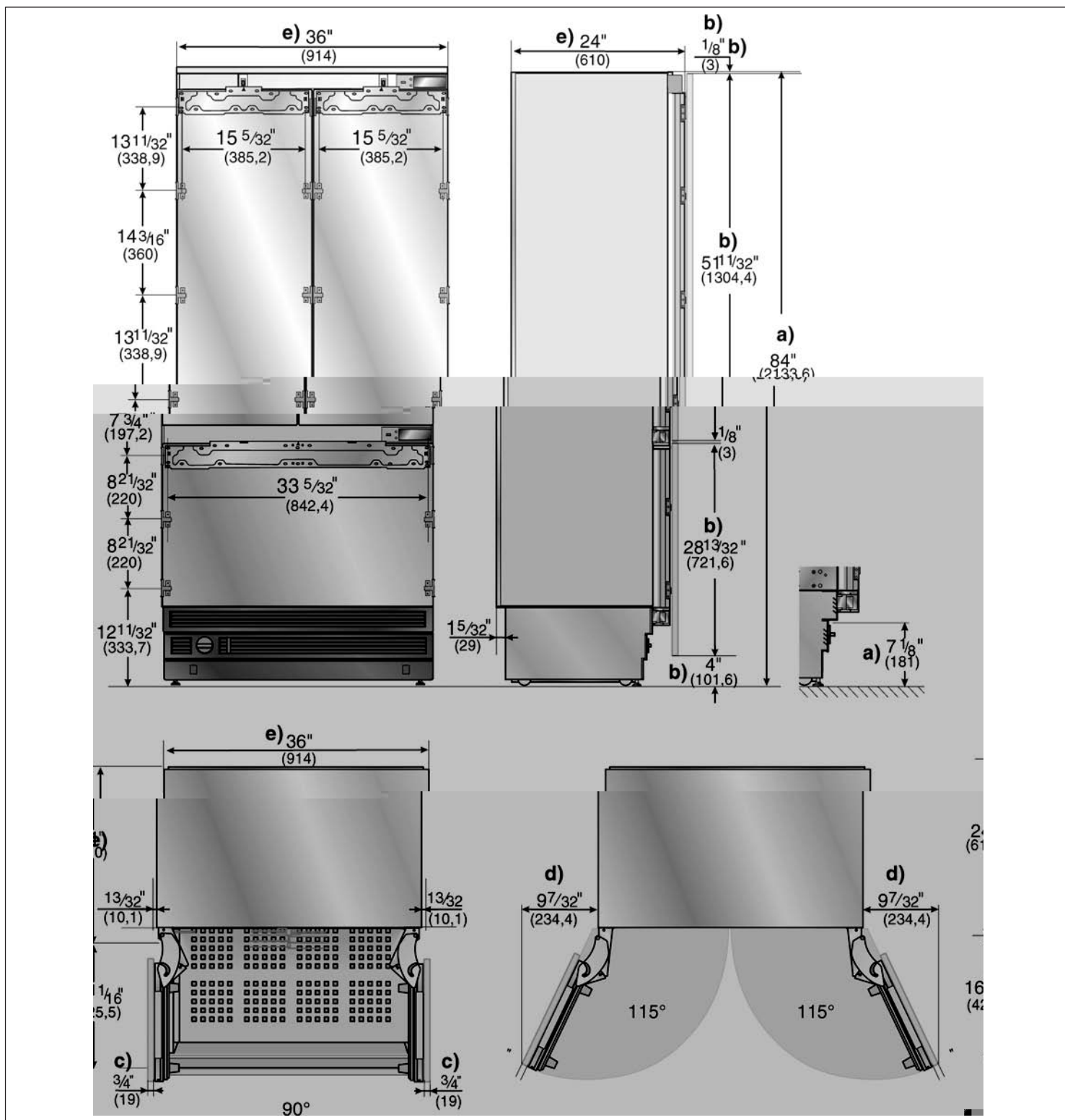
Legenda:

- A Zona para la instalación de la conexión de agua
- B Zona para la conexión a la red de potencia

- D Altura de la abertura, según el diseño de la cocina (consultar la GUÍA DE DISEÑO)
D = 24" (610 mm) como mínimo

Nota: La cavidad debe estar a escuadra.
La pared lateral de la cavidad debe ser plana.

Medidas del electrodoméstico



Leyenda

- a) Ajuste con patas niveladoras + $1\frac{3}{8}$ " (35 mm) / - $\frac{1}{2}$ " (13 mm).
- b) Las medidas pueden variar.
- c) El espesor del panel puerta puede variar.
- d) Esta medida puede variar dependiendo de la instalación, el espesor del panel y el equipamiento de la cocina.

e) Medidas de la unidad

Nota:

Se visualiza un diseño de panel de madera. Por más información respecto de diferentes estilos, consulte la guía de diseño (DESIGN GUIDE).

Accesorios y herramientas necesarias

1. Accesorios que forman parte del volumen de entrega

- Instrucciones para el montaje
- Instrucciones de funcionamiento
- Juego de instalación

2. Accesorios opcionales

Basic Combination Side-by-Side Sealing kit «BSEALKIT10»

(combinación básico y sellado lado a lado)

Para la conexión permanente de dos electrodomésticos individuales. P. ej. un congelador al lado de un refrigerador.

Extreme Combination Side-by-Side Heating kit «XHEATKIT10»

(combinación lado a lado y calentamiento)

- Si el espacio entre los electrodomésticos es menor que 6" (160 mm).
- Para la conexión permanente de dos electrodomésticos individuales. P. ej. congelador o electrodoméstico de montaje inferior, al lado de un congelador.

Protección para los dedos extra larga

Pieza de unión de partes «FPCONNTS10» (franja metálica)

Para la colocación de dos puertas de muebles.

3. Otros accesorios necesarios para salidas especiales

Juego para la instalación de un generador de hielo con línea de 1/4" de cobre

Para electrodomésticos que requieren agua. P. ej. para un generador de hielo.

- i** Diámetro máximo de la tubería de agua (sin accesorios): $1\frac{3}{32}$ " (10 mm).

4. Herramientas

- Destornillador a batería T20
- Destornillador tipo Torx T20
- Bit tipo Torx T20 + un soporte magnético
- Destornillador de ranura en cruz $\frac{5}{16}$ " (8 mm)
- Brocas para madera de diversas medidas
- Llave de boca SW 13/1/2"
- Pinza universal
- Llave ajustable
- Cuchilla de hoja ajustable
- Cinta de medir metálica
- Escuadra
- Nivel de agua de 2' (60 cm) y 4' (1,2 m)
- Nivel marcador, con una longitud mínima de 4' (1,2 m) para electrodomésticos individuales o 7' (2,0 m) para instalación Side-by-Side (Lado a lado).

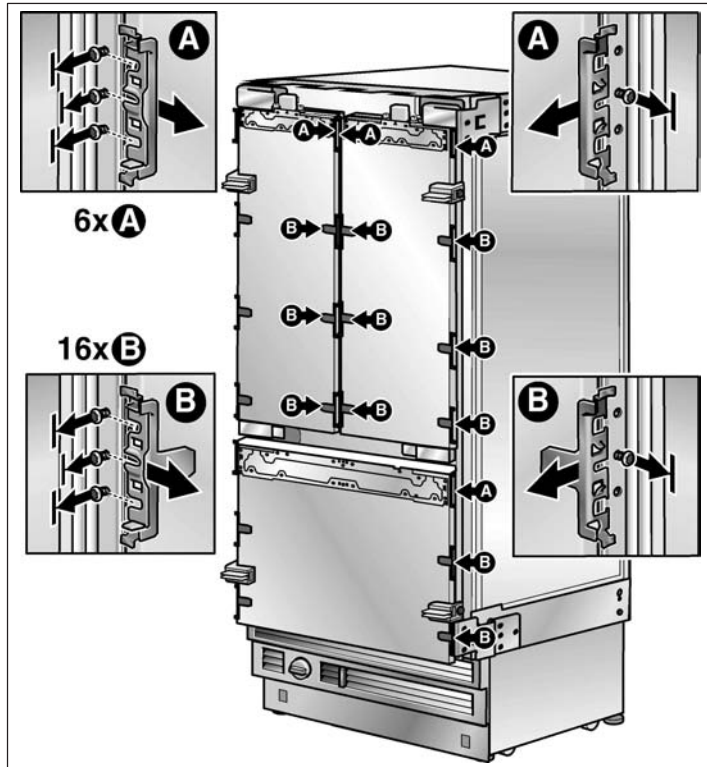
5. Otros

- Escalera
- Carro de mano
- Perforadora para practicar orificios en paredes o pisos.
- Bits de diferentes tamaños y materiales.
- Viguetas de madera (sección transversal mínima de 3" x 4" (75 mm x 100 mm)) como protección alternativa contra vuelcos, de longitud adecuada al ancho de la cavidad.
- Tornillos de madera de diferentes tamaños
- Material delgado (máx. $\frac{1}{16}$ " (1,5 mm)), adecuado para evitar daños en el piso (p. ej. linóleo)
- Material adecuado para cubrir y proteger los muebles (p. ej. láminas de protección).
- Cinta adhesiva.



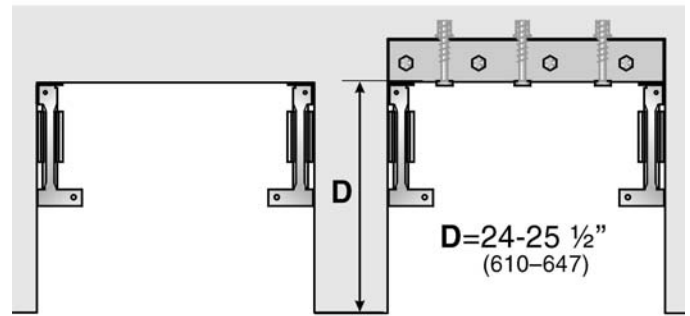
3. Preparación del electrodoméstico

- ❑ Quite los soportes laterales y las placas de sujeción que sostienen los frentes del mueble. Para ello, quite los tornillos de sujeción y quite las piezas correspondientes.
- i** Guarde las piezas de sujeción en recipientes adecuados, a fin de que no se pierdan.



4. Preparación de la cavidad de instalación

- i** Se necesitan dos grampas antivuelco para cada electrodoméstico o combinación de electrodomésticos (Side-by-Side (Lado a lado)).
- ❑ Determine los puntos de montaje de las grampas antivuelco. Determine las medidas en detalle, consultando la sección «Medidas de instalación» comenzando en página 69.



- ❑ Si la cavidad de instalación es de mayor profundidad que el electrodoméstico, coloque una vigüeta de madera detrás de las grampas antivuelco, sujetándola firmemente a la base o la pared. ¡La longitud de la vigüeta de madera debe ser igual al ancho de la cavidad de instalación!

! IMPORTANTE !

Si es posible, atornille las vigüetas de madera sobre monturas ya existentes sobre la pared de la cavidad.

En algunas instalaciones, el suelo o el subsuelo puede hacer necesario introducir los tornillos de madera que se emplean para sujetar las grampas antivuelco en la pared posterior, en ángulo.

- i** Información importante para asegurar con firmeza las grampas antivuelco:
 - El juego suministrado comprende diversos tronillos para diferentes instalaciones. Seleccione los tornillos de acuerdo a las condiciones.
 - Si los tornillos de sujeción suministrados, no permiten sujetar con firmeza los soportes antivuelco y con ello el electrodoméstico, debe utilizarse otro método para una sujeción suficientemente firme.

Aplicación con piso de madera

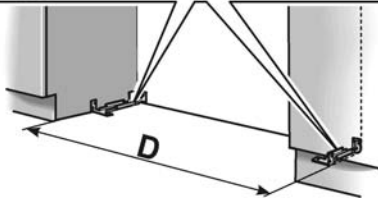
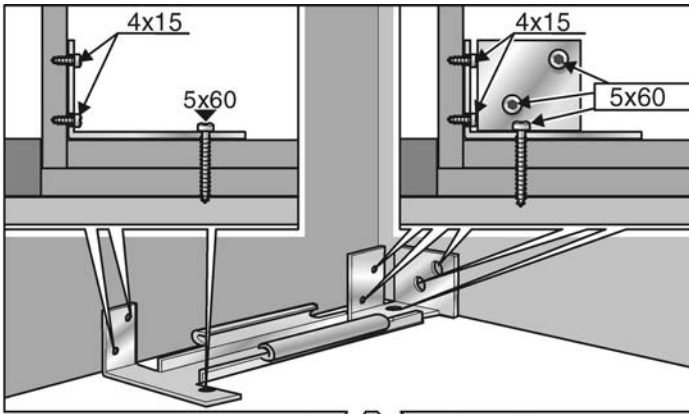
Utilice los tornillos para madera (5 x 60 mm) y (4 x 25 mm) que forma parte del volumen de entrega.

- ❑ Practique perforaciones previas:
 - $\frac{1}{8}$ " (3 mm) para los tornillos de madera (5x60 mm)
 - $\frac{5}{64}$ " (2 mm) para los tornillos de madera (4x15 mm)Asegurando que los tornillos penetren a través del piso, por lo menos en $\frac{3}{4}$ " en la placa de la pared.

! ADVERTENCIA !

Asegure que no existan cables eléctricos o tuberías en las zonas donde deben penetrar los tornillos. ¡Existe peligro de lesiones y daños!

- ❑ Sujete completamente las grampas antivuelco. Asegúrese que los tornillos estén firmes.



- i** La distancia D entre las grampas antivuelco es adecuada al ancho del electrodoméstico.

Aplicación con piso de cemento



CUIDADO



Utilice siempre gafas y otros dispositivos de protección cuando instala o trabaja con tarugos. ¡Peligro de lesiones!

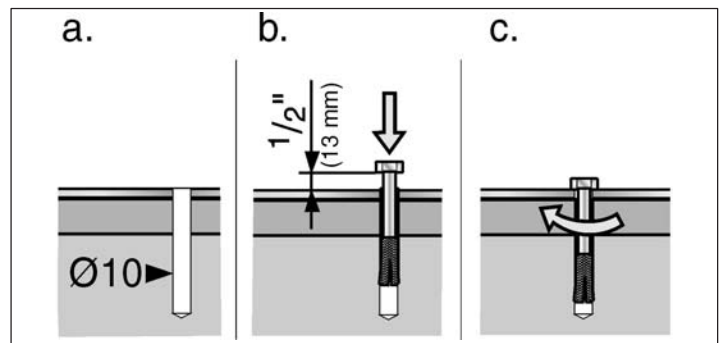
No recomendado para ser usado en material de mampostería liviana como bloques y ladrillos.

No recomendado para ser usado en cemento fresco que no ha tenido tiempo de fraguar.

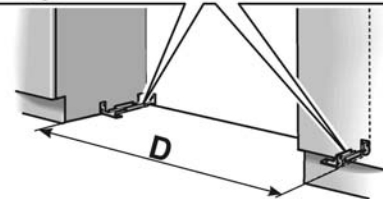
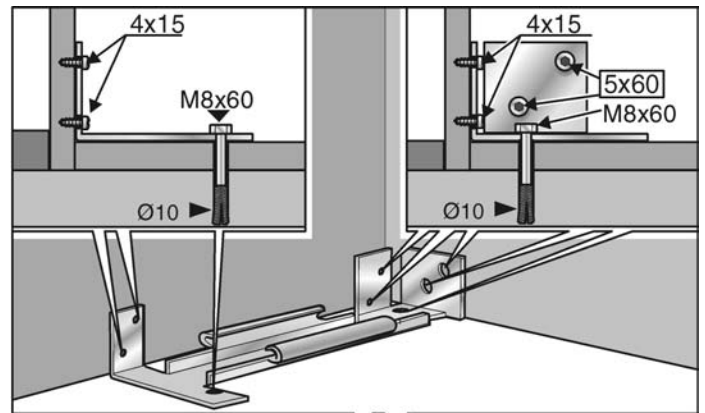
No utilice brocas huecas para practicar perforaciones para los tarugos.

Utilice tarugos para cemento M8 y los tornillos correspondientes. Utilice adicionalmente los tornillos para madera (5 x 60 mm) y (4 x 15 mm).

- ❑ Practique una perforación de 10 mm de diámetro, con una profundidad que exceda el empotramiento mínimo. Utilice la broca provista.
- ❑ Limpie el orificio o continúe perforando a mayor profundidad.
- ❑ Enrosque el tornillo a mano en el tarugo, hasta sentir una resistencia leve.



- ❑ Hacer penetrar el tarugo con el tornillo a golpes, hasta que la cabeza del tornillo se encuentre a aprox. 1/2" (13 mm) de la grampa antivuelco.
- ❑ Ajuste el tornillo firmemente.



- i** La distancia D entre las grampas antivuelco es adecuada al ancho del electrodoméstico.

5. Montaje de un dispositivo antivuelco adicional

! IMPORTANTE !

Si es posible, atornille las viguetas de madera sobre monturas ya existentes en la pared de la cavidad.

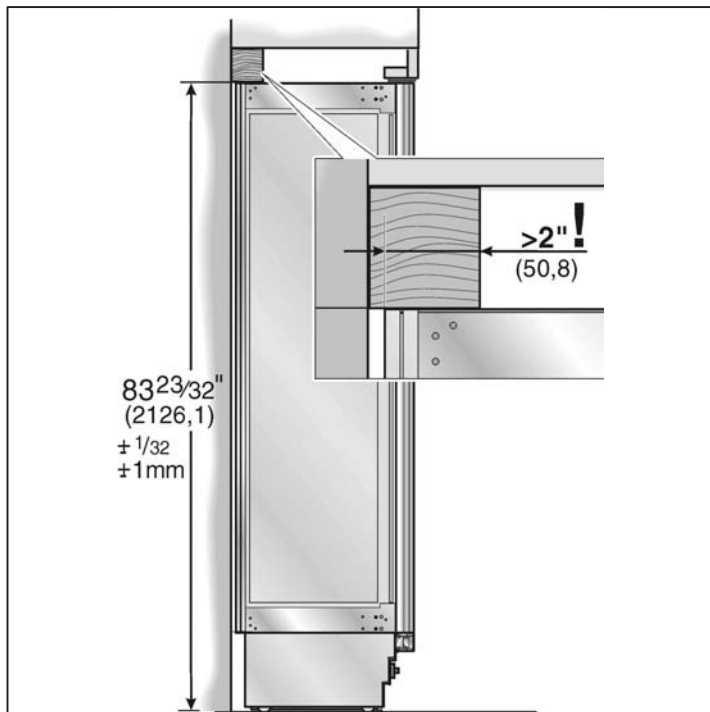
Si no se pueden montar los soportes antivuelco con la firmeza requerida, puede montarse un dispositivo antivuelco alternativo. Sin embargo, debe asegurarse, de que no exista juego entre el electrodoméstico y el dispositivo antivuelco.

- ❑ Corte la vigueta de madera (sección transversal mín. 3" x 4") a la longitud requerida.

¡La longitud debe ser igual a la anchura de la cavidad de instalación!

i Nota

- Si la cavidad de instalación es más profunda que el electrodoméstico, selecciones una vigueta que presente una sección transversal mayor, o monte dos viguetas.
- La vigueta debe exceder el electrodoméstico en un mínimo de 2" (50,8 mm).



- ❑ Marque la altura de instalación (esquina inferior de la madera) sobre el panel posterior de la cavidad.

- ❑ Seleccione los tornillos de acuerdo al espesor de la vigueta de madera: longitud = mín. 2,5 x el espesor de la vigueta, diámetro # 12 o # 14.

- i** Especifique la cantidad de tornillos, de acuerdo al ancho de la cavidad, asegurando que la vigueta quede montada firmemente.

- ❑ Ubique la pared vertical cerca de la pared posterior de la cavidad y marque las perforaciones en la vigueta.
- ❑ Perfore previamente la vigueta de madera.
- ❑ Sujete la vigueta de madera en la pared posterior de la cavidad.

6. Preparación para conectar el agua

(solamente si el electrodoméstico requiere de una conexión de agua)

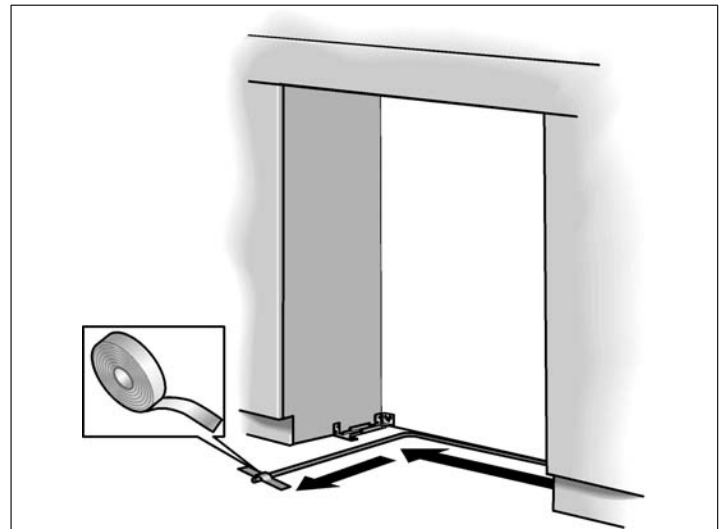


CAUIDADO



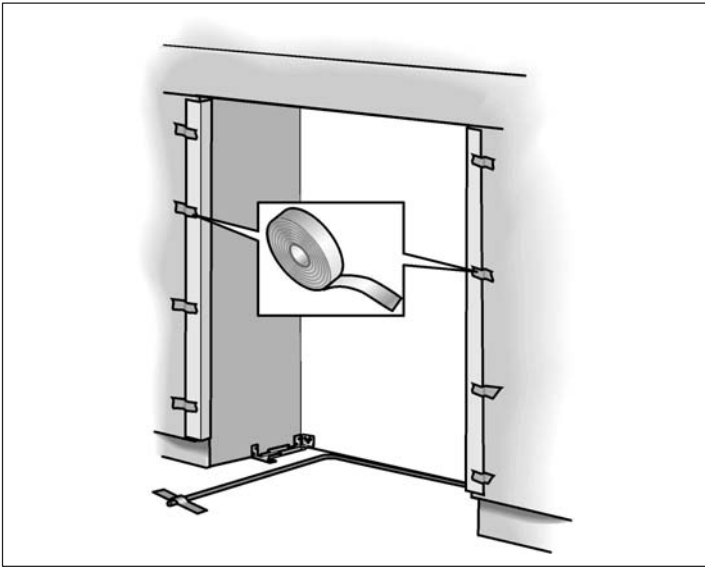
Cierre la llave principal de agua, a fin de evitar daños debidos a la pérdida de agua.

- ❑ Monte la tubería de conexión a la válvula de cierre, según las instrucciones suministradas por el fabricante de la instalación generadora de hielo.
- ❑ Instale la tubería de conexión. Observe siempre las medidas de separación indicadas, a fin de evitar daños en la tubería de conexión, cuando coloca el electrodoméstico en su sitio.



- ❑ Sujete la tubería de conexión al suelo con cinta adhesiva.

7. Protección de los bordes

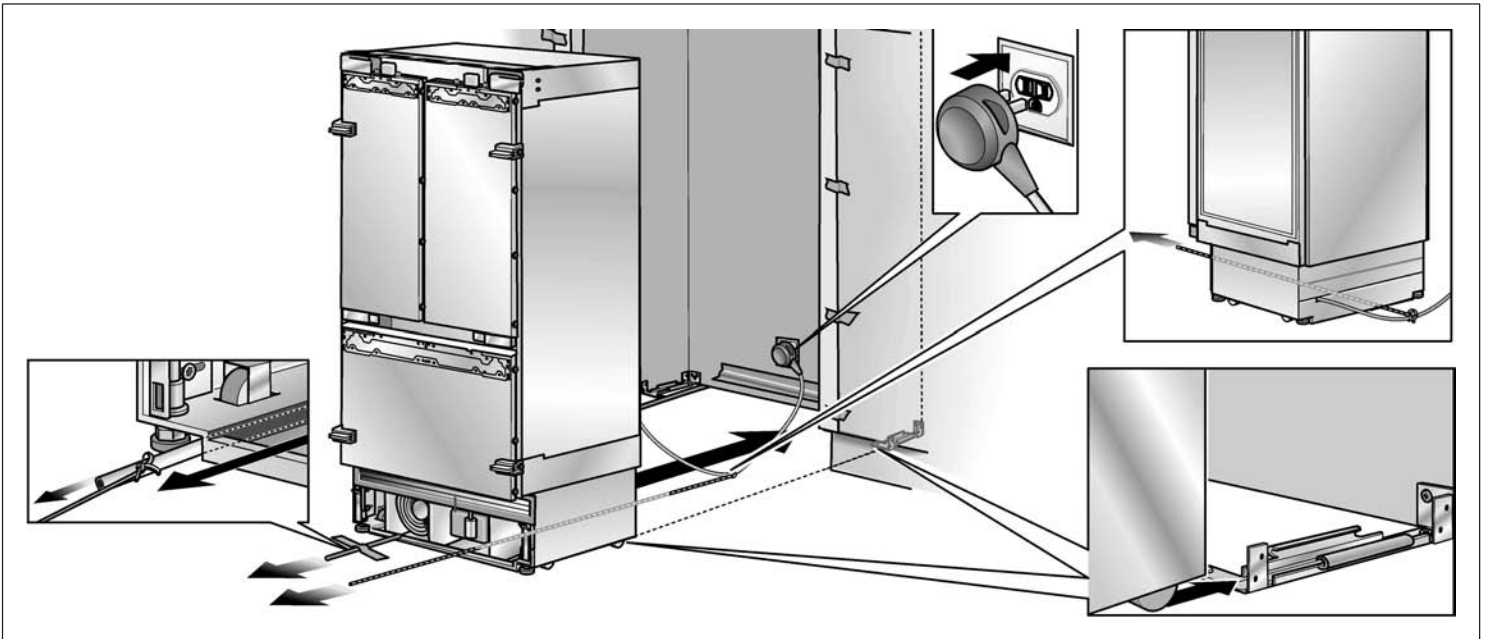


- ❑ Para proteger la hornacina, sujete los ángulos de protección con cinta adhesiva en las esquinas.

8. Instalación Side-by-Side (Lado a lado)

- i** Si ha previsto un emplazamiento lado a lado, debe ahora unir ambos equipos. Consulte el manual de instalación por la información concerniente a la Instalación Side-by-Side (Lado a lado).

9. Colocando el electrodoméstico en la cavidad de instalación



CUIDADO



Tenga cuidado al empujar el electrodoméstico al interior de la cavidad. No dañe la tubería de agua o el cable de alimentación sujetos al suelo.

- i** Si el piso o el electrodoméstico es inclinado respecto de la cavidad de instalación, ajuste las ruedas ajustables en altura, antes de introducir el electrodoméstico en la cavidad.
- ❑ Conecte el enchufe en el tomacorriente.

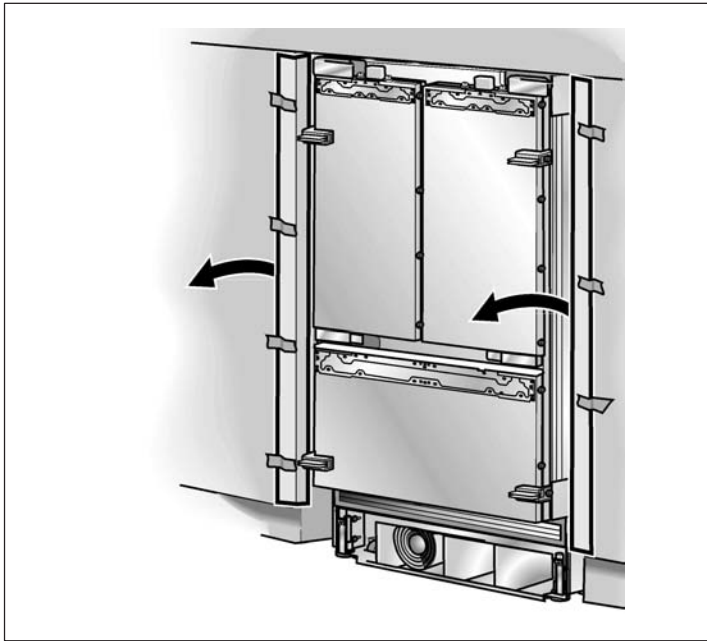
- i** En caso de instalación Side-by-Side (Lado a lado), debe conectarse a cada electrodoméstico en un tomacorriente individual.

- ❑ Cuidado de no dañar el cable de alimentación.
Sujete un pedazo de hilo en el medio del cable, llevándolo hacia delante debajo del electrodoméstico. Cuando introduzca el electrodoméstico, tire el cable hacia delante.

o bien

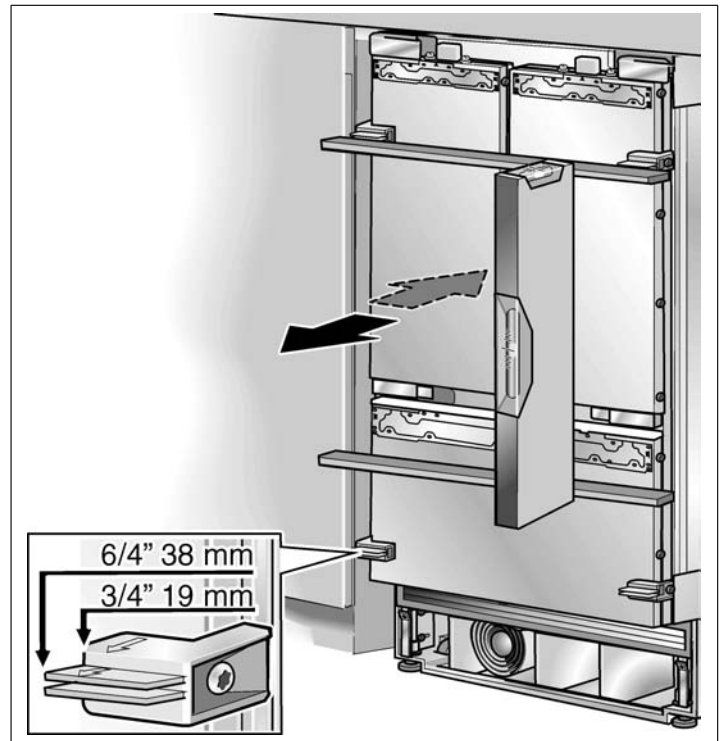
Pegue el cable mediante cinta adhesiva en el suelo detrás del electrodoméstico a una distancia aprox. de 15" (380 mm) de la pared posterior de la cavidad.

- ❑ Empuje cuidadosamente el electrodoméstico hacia el interior de la cavidad, hasta que las ruedas de altura ajustable se traben en los soportes antivuelco.



- ❑ Quitar la protección para los bordes.

10. Instalación y alineación del electrodoméstico



- ❑ Alinee el electrodoméstico con los frentes de los muebles.

Coloque el nivel de marcar o las piezas auxiliares para la instalación sobre la puerta.

- i** Las piezas auxiliares sobre la puerta fueron diseñadas para un espesor total de las puertas de los muebles:
 - 3/4" (19 mm)
 - 1 1/2" (38 mm)

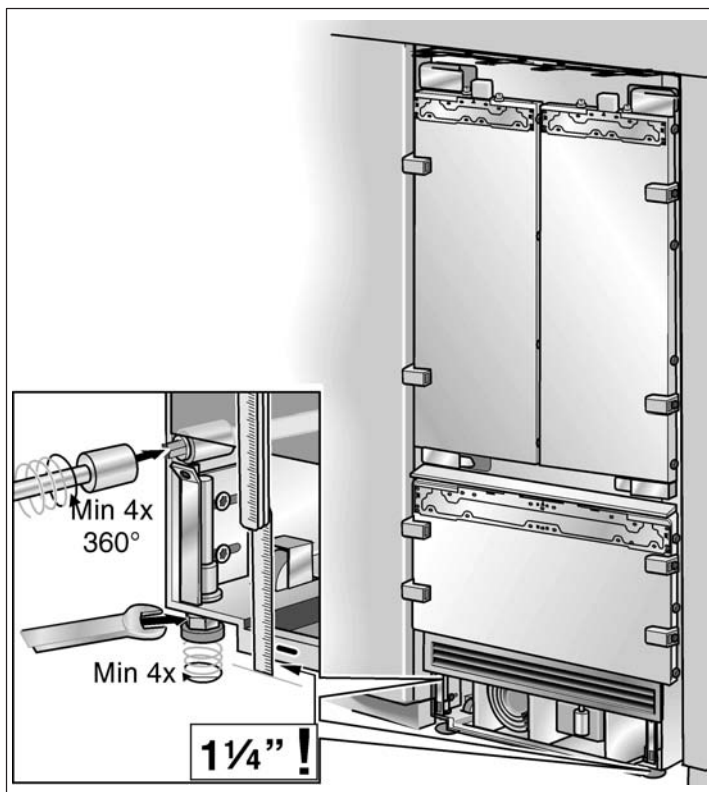
Tenga siempre en cuenta los espesores eventualmente diferentes de los frentes de los muebles que se sujetarán.

Las ruedas de altura ajustable tanto del frente como de la parte posterior, pueden ajustarse desde el frente.

Frente: llave de boca de 1/2" (SW 13)

Fondo: destornillador en cruz 5/16" (8 mm) con vástago flexible.

Como medida sugerida para el ajuste de la altura, se ha practicado una marca en la pata del equipo. Durante el ajuste, esta marca debe ajustarse esta marca a una altura de 1 1/4" (32 mm) sobre el nivel del suelo.



- ❑ Desenrosque las patas de altura ajustable hasta que la marca en la base logre la medidas indicadas (1¼"/32 mm).

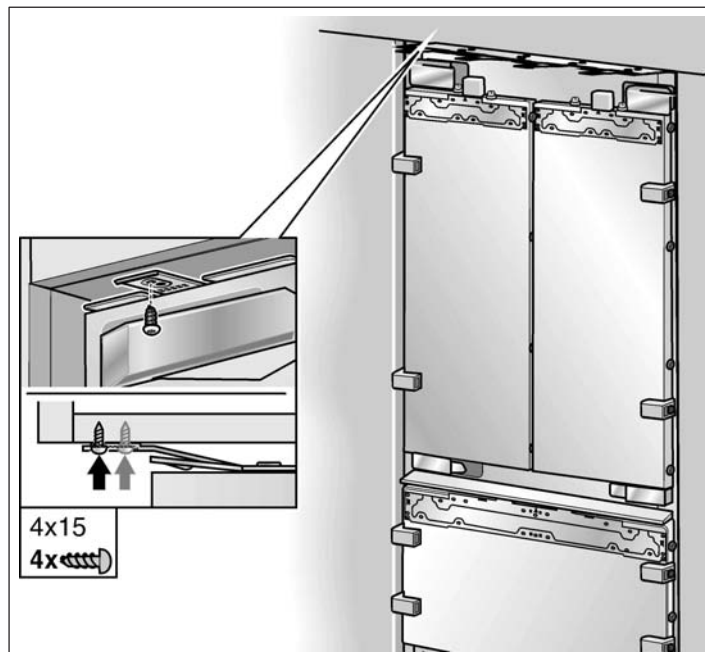
i Es sumamente importante cumplir con estas medidas, para lograr una buena alineación de los frentes de los muebles.

- ❑ Alinee los frentes de los muebles con el nivel de agua.

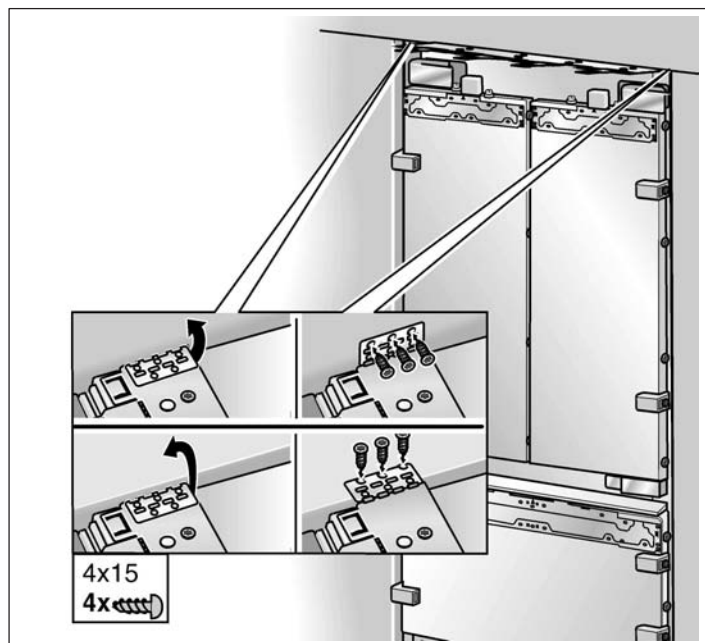
i Nota

- ¡No gire o presione el electrodoméstico dentro de la cavidad!
Cuando desenrosque las patas de altura ajustable, proceda de modo gradual: alterne siempre entre la derecha y la izquierda, repitiendo el proceso alternativamente.
- El ajuste de las patas posteriores se facilita si se descarga la parte posterior del equipo.
- Si utiliza una vigueta de madera como dispositivo antivuelco alternativo, según se describe en el punto 6 de este manual de instalación, rote el electrodoméstico totalmente hacia la vigueta de madera.

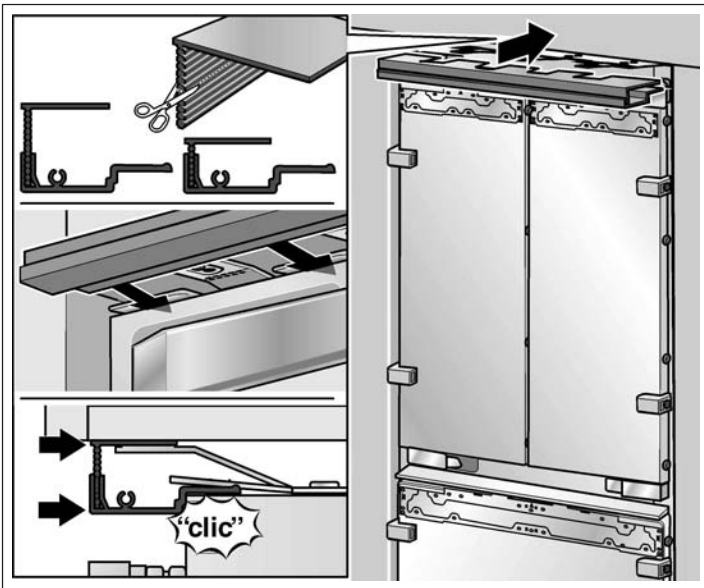
11. Sujetando el electrodoméstico a la parte superior de la cavidad



- ❑ Atornille las placas de las eclisas de sujeción (superiores) al mueble o adorno superpuesto.

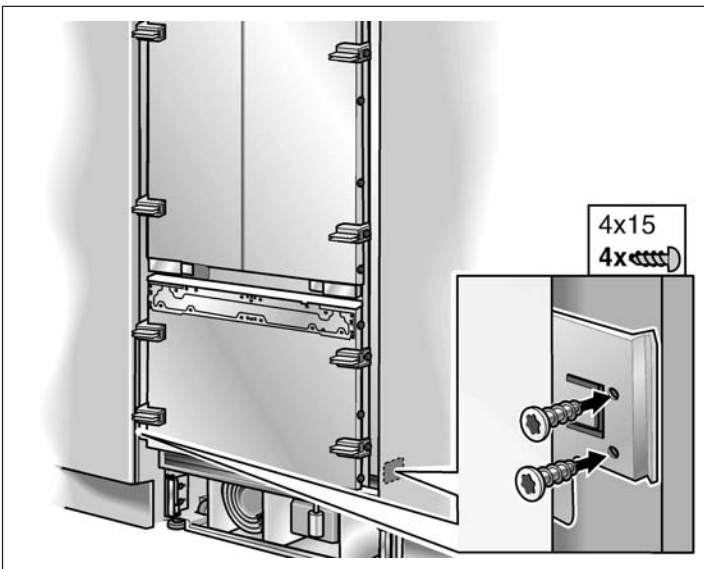


- ❑ Atornille las placas de las eclisas de sujeción laterales dependiendo de las condiciones de instalación. Si no hay espacio o solamente un espacio reducido, no es necesario fijar las eclisas.
- ❑ Si en la parte superior del electrodoméstico existe un espacio mayor, es indispensable montar una vigueta de madera de medidas adecuadas, libre de juego sobre el equipo.



- ❑ Sujete el listón de cobertura en la placa de montaje (arriba).
¡Corte el listón superior a la altura adecuada!

12. Sujeción del electrodoméstico individual en los laterales de la cavidad



- ❑ Atornille las eclisas laterales a los muebles o adornos laterales (electrodoméstico individual exclusivamente).

13. Conexión del agua al electrodoméstico

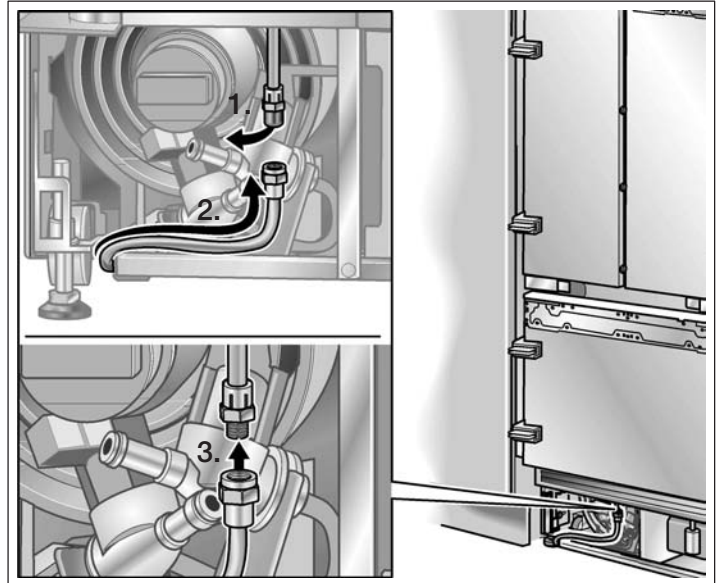
- ❗ Cuando conecte la tubería de agua a la válvula solenoide del electrodoméstico, siga las instrucciones provistas por el fabricante conjuntamente con el kit de montaje del generador de hielo que se incluyen en este manual.



¡CUIDADO!



Cuando conecte la tubería de agua, no la retuerza. De lo contrario existe el riesgo que se produzcan pérdidas de agua. Utilice los elementos auxiliares para el doblado.



- ❑ Quite la capa de la conexión del electrodoméstico ①.
- ❑ Doble la tubería de agua de acuerdo con la ubicación de la conexión del electrodoméstico ②.
- ❑ Empuje la tuerca de unión, sellando la unión sobre la tubería de agua.
- ❑ Empuje el extremo de la tubería de agua, hasta que penetre en la conexión del electrodoméstico y enrosque la tuerca de unión ③. Ajuste con la mano.
- ❑ Ajuste la tuerca de unión mediante la llave de boca. ¡No fuerce la rosca!
- ❑ Abra la válvula de cierre y la llave general. Controle la válvula de cierre y la conexión en el electrodoméstico, para localizar eventuales pérdidas.

14. Sujeción del panel de protección

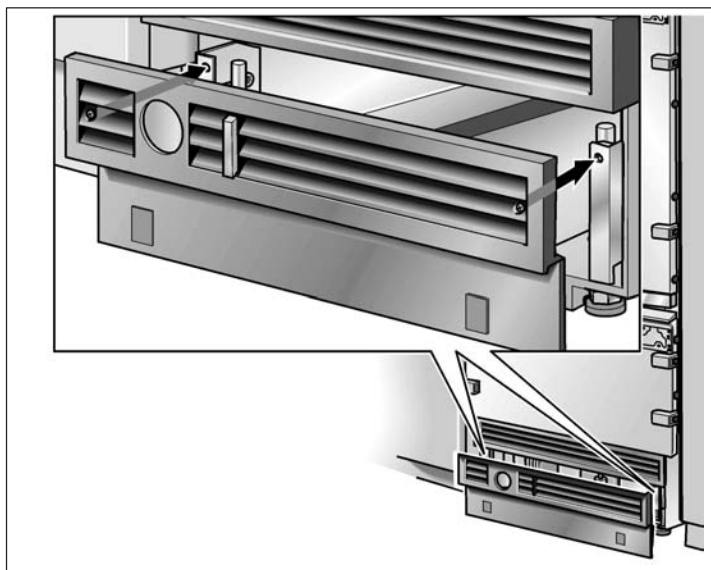


CUIDADO

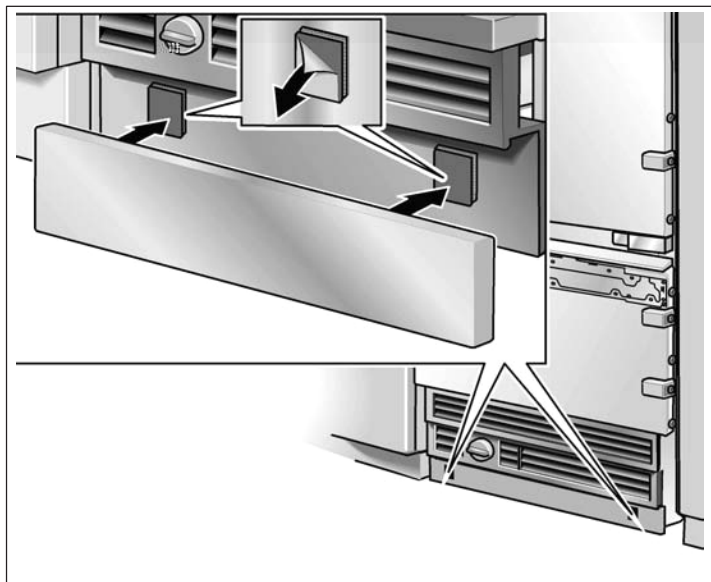


La altura máxima del panel de protección sobre el suelo es de 4". No obture las aberturas de ventilación en el base del panel. Existe riesgo de daños en el electrodoméstico.

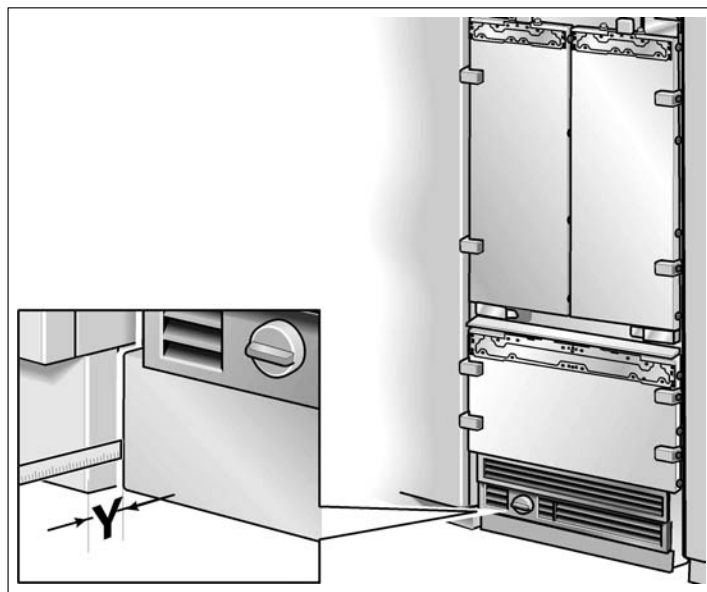
- ❑ Si hace falta, corte el panel de protección a la longitud necesaria.



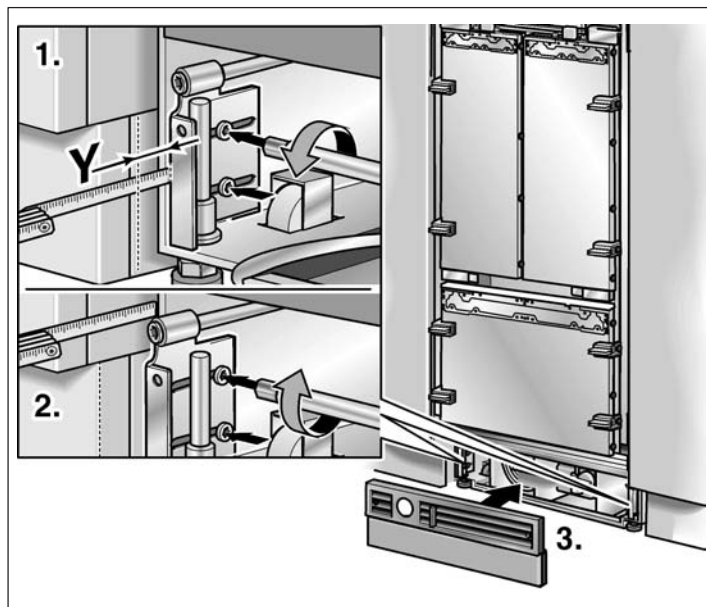
- ❑ Monte el panel base en el electrodoméstico.



- ❑ Quite la lámina de protección de la almohadilla adhesiva del Velcro.
- ❑ Coloque el panel de protección en el panel base, presionando firmemente.

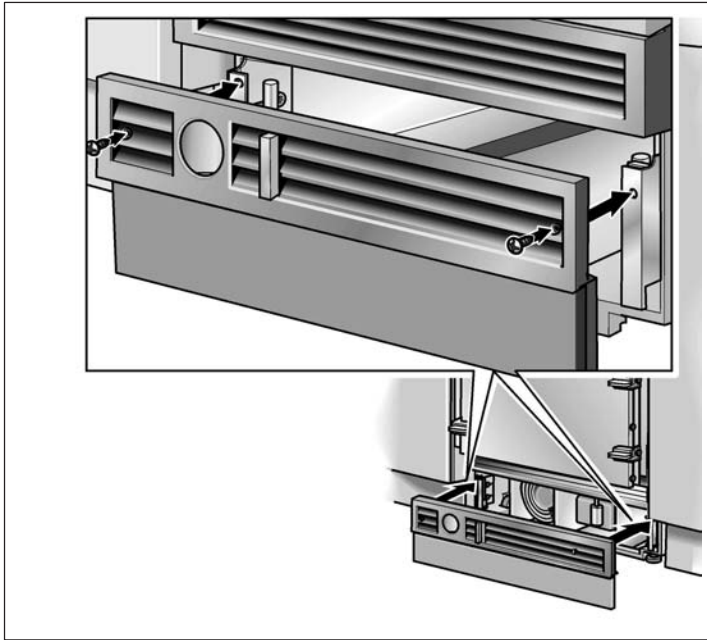


- ❑ Aplique el panel base (sin atornillar) y mida la diferencia Y entre el panel base y el panel de protección del mueble adyacente.
- ❑ Quite el panel base.
- ❑ Afloje los soportes de sujeción del panel base y empuje hasta el fondo.



- ❑ Extraiga las mordazas en la sujeción

- ❑ Atornille las mordazas firmemente.



- ❑ Monte el panel base.

- i** Si hace falta, puede atornillar el panel de protección al panel base. Existen perforaciones para los tornillos en el panel base, cerca de los Velcros.

15. Preparación de las puertas del mueble

! IMPORTANTE !

Si realiza cualquier trabajo en las puertas de los muebles, tenga siempre en cuenta:

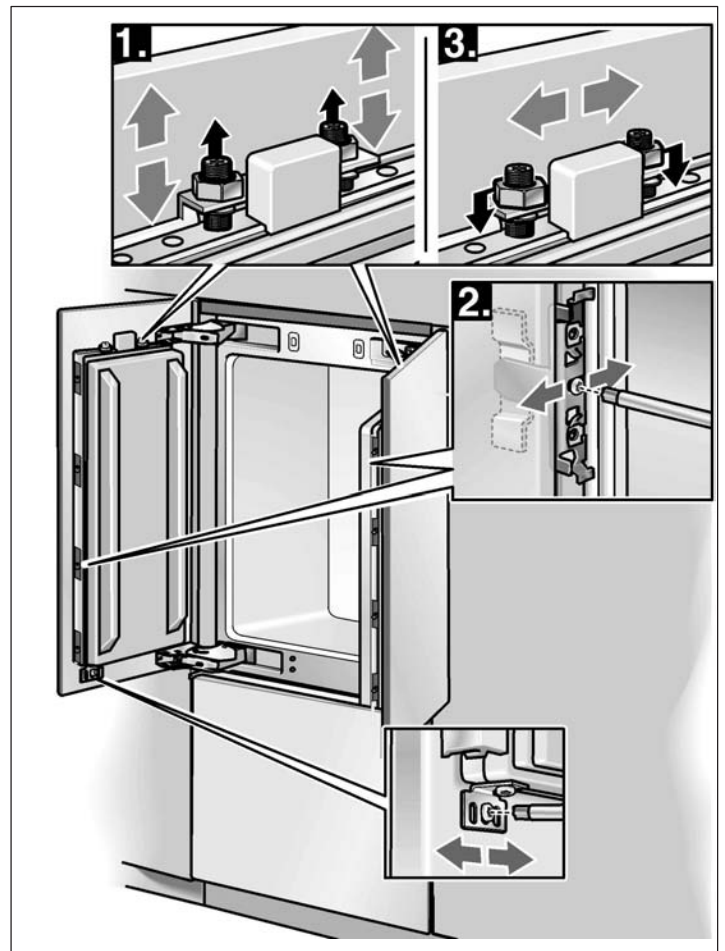
- atornille siempre en el material que mejor soporta la carga en la puerta del mueble.
- seleccione siempre una longitud de los tornillos que sea inferior al espesor de la puerta,
- proteja las superficies de las puertas durante el trabajo, a fin de evitar daños.

El peso total del frente del mueble, no debe exceder los valores siguientes:

Compartimento frigorífico 26 lbs/12 kg (por puerta)

Compartimento de congelación 22 lbs/10 kg

Los frentes de los muebles se sujetan a la puerta del electrodoméstico, mediante elementos o piezas de sujeción pertenecientes al electrodoméstico. Estas piezas de sujeción permiten ajustar con precisión la puerta del mueble, dándole la firmeza necesaria.

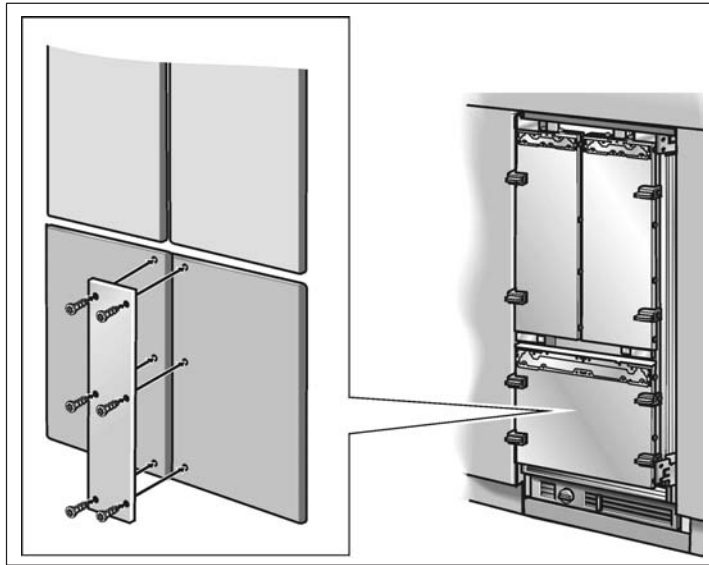


Función de diversas partes:

1. Perno de doble rosca en el riel de ajuste: para el ajuste vertical de la puerta del mueble.
2. a) Soportes laterales: para ajustar la profundidad del frente del mueble.
b) Placas de sujeción: para ajuste lateral del frente del mueble.
3. Tuercas sobre los pernos de doble rosca: para sujetar el frente del mueble y fin de evitar movimientos laterales.
4. Soportes inferiores: para sujetar el frente del mueble y fin de evitar movimientos laterales.

En el caso de electrodomésticos de 30" y 36" de ancho, pueden sujetarse 2 puertas adyacentes una con otra, en vez de una puerta grande. Estas puertas deben conectarse mediante un listón metálico en la parte posterior.

Este listón metálico, puede adquirirse en el vendedor local como accesorio opcional. Consulte la sección «Accesorios opcionales» en página 72.



Cuando sujete el listón metálico a la puerta de los muebles, tenga en cuenta de usar los tornillos de la mayor longitud posible y la posición de las perforaciones. Atornille siempre en el material de mejor capacidad de carga de la puerta del electrodoméstico.

i Si se coloca una sola puerta en electrodomésticos de 30" y 36", sujete la placa sándwich al riel de ajuste y trábela en la posición correcta.

16. Carga admisible en la puerta del electrodoméstico

A fin de lograr una exactitud máxima en las medidas de las ranuras de las puertas de los muebles, se recomienda aplicar pesas en las gavetas de la puerta.

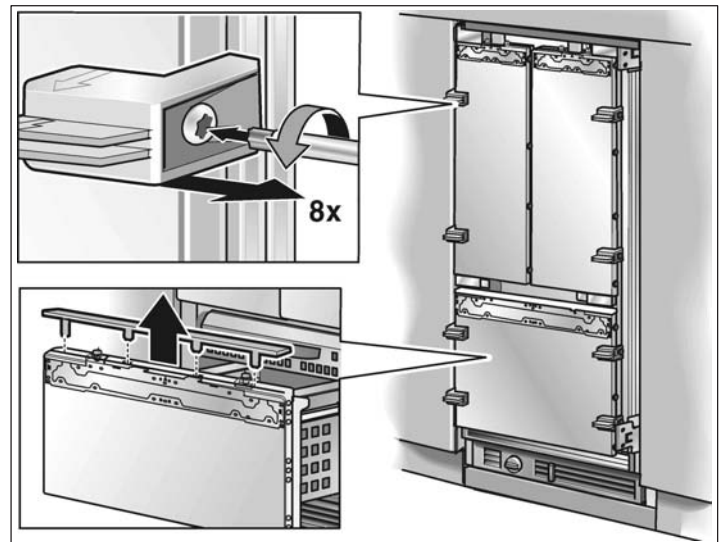
Se recomienda:

compartimento frigorífico 26 lbs/12 kg (por puerta)

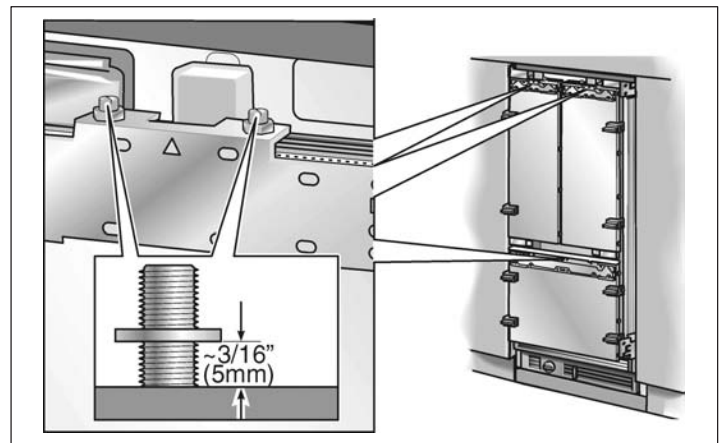
compartimento de congelación 22 lbs/10 kg

17. Montaje del riel de ajuste en la puerta del mueble (compartimento frigorífico)

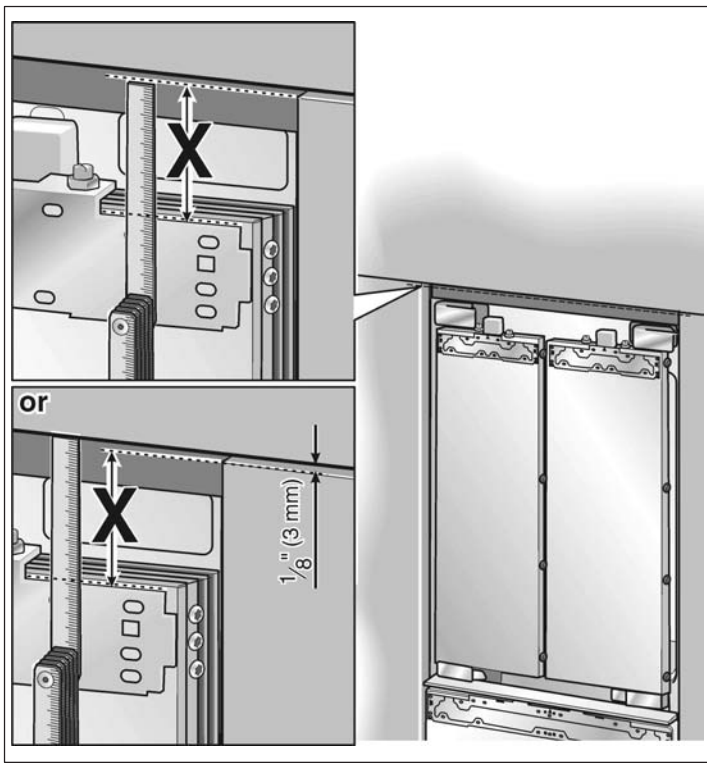
i El riel de ajuste es el elemento más importante para el ajuste del frente del mueble.



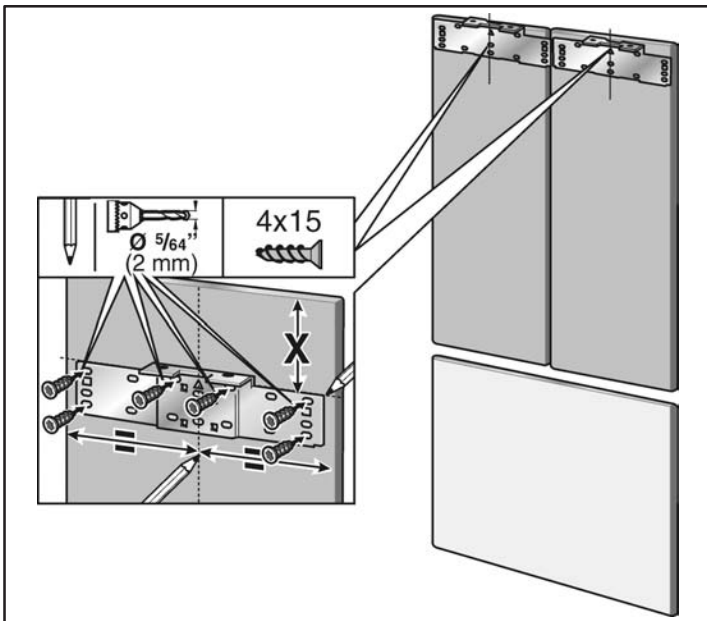
- Desatornille el soporte de instalación de la puerta del electrodoméstico.
- Quite la placa de cobertura de la puerta del compartimento congelador.



i Controle los pernos de doble rosca en el riel de ajuste. Ambos deben asomar fuera de la puerta en $\frac{3}{16}$ " (5 mm).



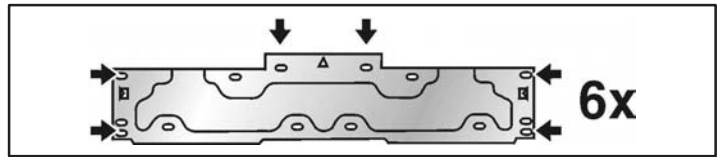
- ❑ Mida la distancia **X** entre el riel de ajuste y la parte superior del mueble.



- ❑ Marque la medida **X** sobre la parte posterior de la puerta del mueble.
- ❑ Determine y marque el centro de la puerta del mueble.
- ❑ Afloje las 2 tuercas y quite el riel de ajuste.
- ❑ Aplique el riel de ajuste, alineando a lo largo de las marcas. Marque los orificios.
- ❑ Perfore en estas marcas.
- ❑ Atornille el riel de ajuste firmemente.

i Nota

- Sujete el riel de ajuste con un mínimo de 6 tornillos a la puerta del mueble. Debe insertarse un tornillo debajo de cada perno de doble rosca.

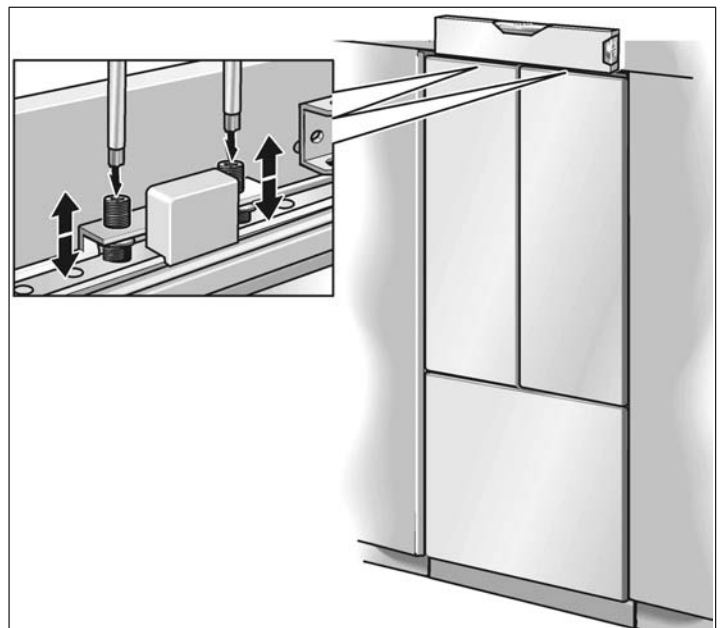


- El riel de ajuste presenta una gran variedad de perforaciones, para cubrir las diversas posibilidades de puertas de los muebles. Atornille siempre en las partes donde la puerta del mueble presente la mejor capacidad de porte.

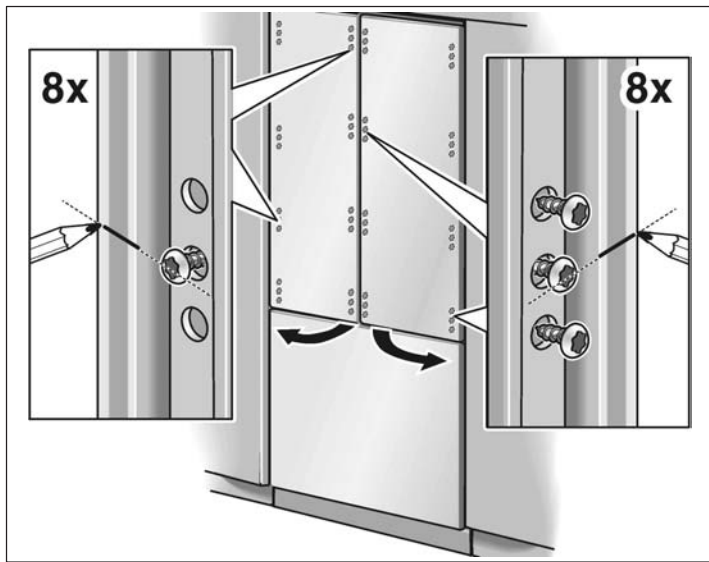
18. Sujeción y alineación de la puerta del mueble (compartimento frigorífico)

- i** Los pernos de doble rosca cumplen la función de ajustar la altura de la puerta del mueble.

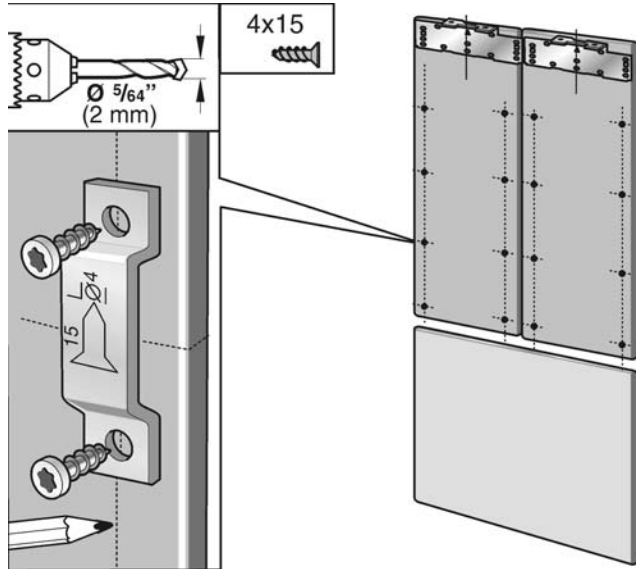
- ❑ Cuelgue la puerta de los pernos de doble rosca.



- ❑ Alinee la puerta mediante los pernos de doble rosca (destornillador Torx).



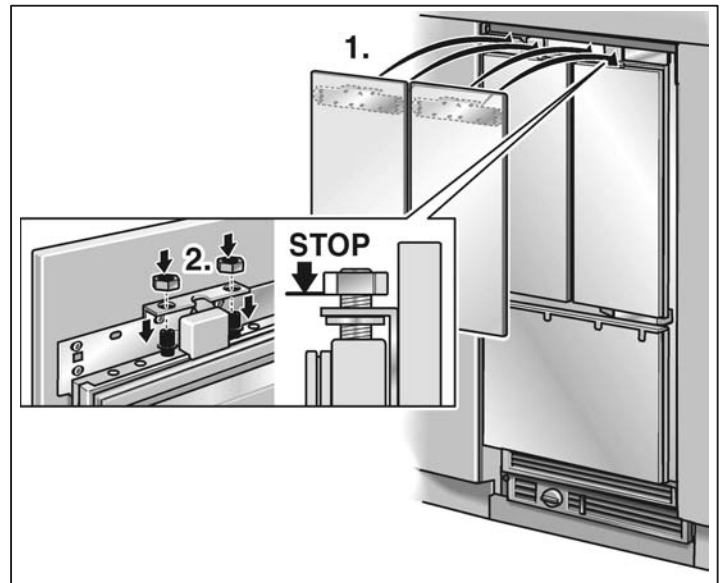
- Transfiera la posición de los tornillos centrales a través del borde exterior de la puerta del mueble, a la parte frontal del mueble, practicando una marca.
- Quite la puerta del mueble.



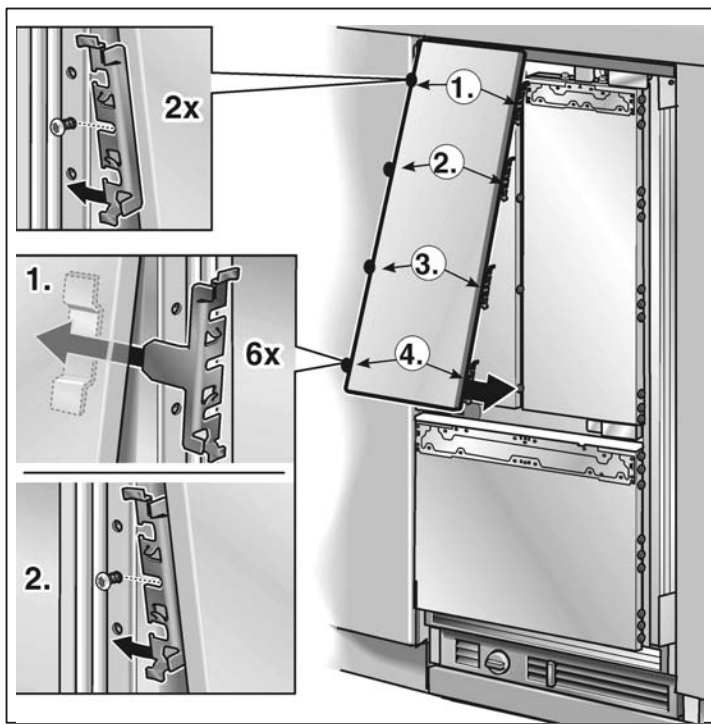
- Marque una línea vertical a través de los orificios de sujeción más externos en el riel de ajuste.
- Extienda las marcas de los orificios que acaba de hacer, a las marcas verticales mediante una escuadra.
- Marque y practique los orificios.
- Atornille las placas de sujeción (10 unidades)

19. Sujeción de la puerta del mueble (compartimento frigorífico)

i ¡Atornille ahora las manijas del mueble que ha quitado anteriormente!



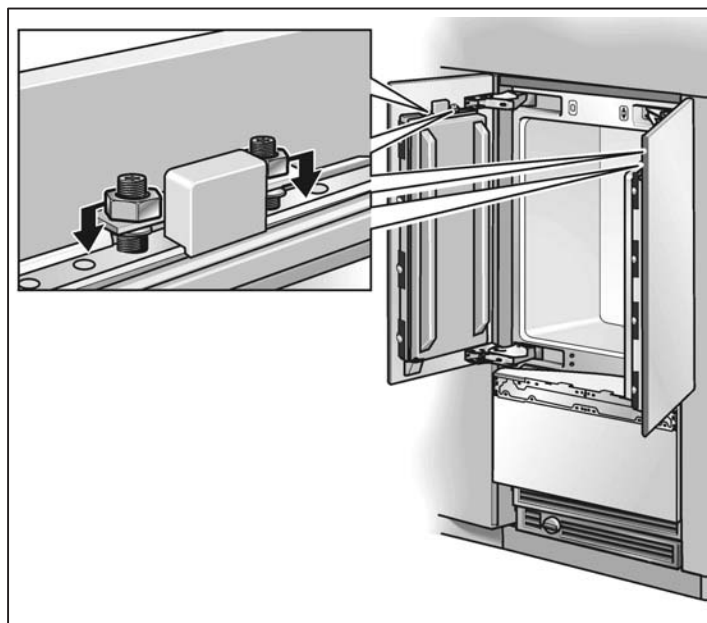
- Cuelgue la puerta con el riel de ajuste sobre los pernos de doble rosca.
- Enrosque las tuercas ligeramente en los pernos de doble rosca. ¡No las ajuste!
- Ajuste la puerta del mueble prolijamente. Alinee la puerta mediante los pernos de doble rosca (destornillador Torx).



- ❑ Sujete los soportes:
 - Levante un poco la puerta, alejándola de la puerta del mueble.
 - Desplace los soportes laterales (①.) en la izquierda y la derecha sobre los tornillos.
 - Inserte los soportes (②.) en la izquierda y la derecha en la placa de sujeción y desplace sobre los tornillos. Baje lentamente la puerta.

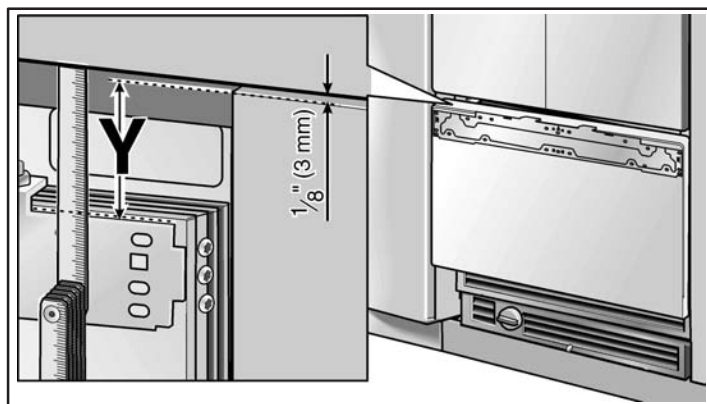
Continúe con el proceso hasta haber insertado los últimos soportes (⑥.) en la placa de sujeción y estén posicionados sobre los tornillos.

- ❑ **i** Los soportes superiores ((①.) en la derecha y la izquierda) no poseen piezas laterales para insertar en la placa de sujeción.
- ❑ Cierra la puerta y controle que la profundidad del frente del mueble esté alineado con los frentes adyacentes. Corrija si hace falta.
- ❑ Ajuste los tornillos de los soportes, a fin de fijar la profundidad de alineación.
- ❑ Cierre la puerta y controle la alineación. Corrija golpeando suavemente en el borde de la puerta con la mano.

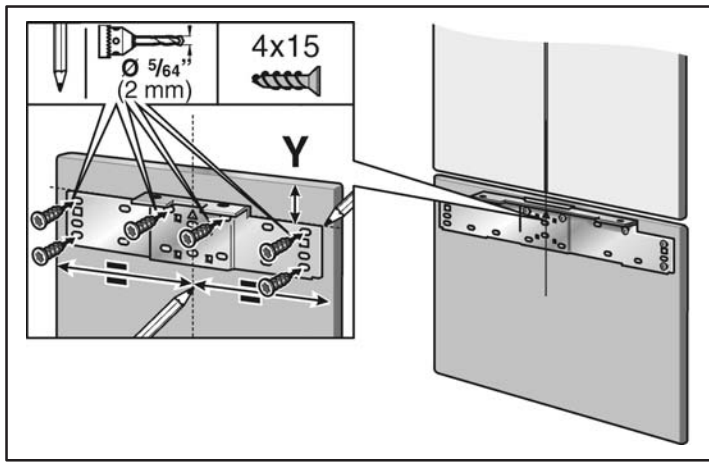


- ❑ Ajuste las tuercas en el riel de ajuste. Esto fijará el ajuste lateral de la puerta.

20. Montaje del riel de ajuste en la puerta del mueble (compartimento de congelación)



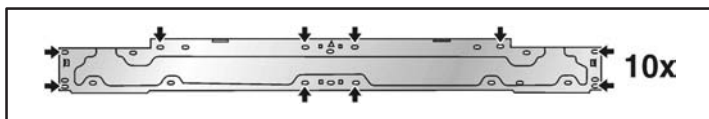
- ❑ Mida la distancia **X** entre el riel de ajuste y la parte superior del mueble.
- ❑ Afloje las 2 tuercas y quite el riel de ajuste.



- Marque la medida X sobre la parte posterior de la puerta del mueble.
- Determine y marque el centro de la puerta del mueble.
- Aplique el riel de ajuste, alineando a lo largo de las marcas. Marque los orificios.
- Perfore en estas marcas.
- Atornille el riel de ajuste firmemente.

i Nota

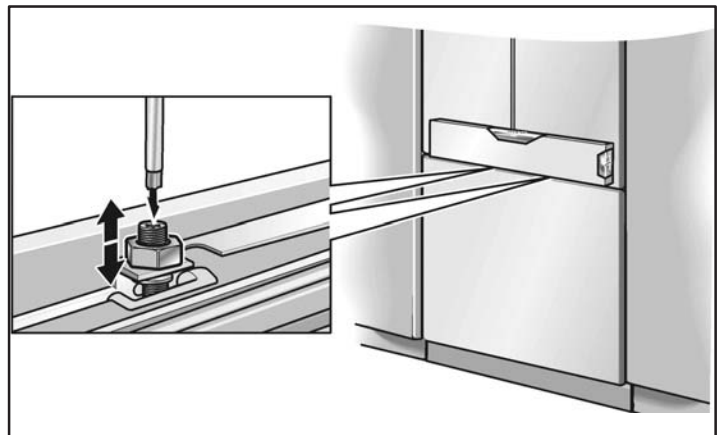
- Sujete el riel de ajuste con un mínimo de 6 tornillos a la puerta del mueble. Debe insertarse un tornillo debajo de cada perno de doble rosca.



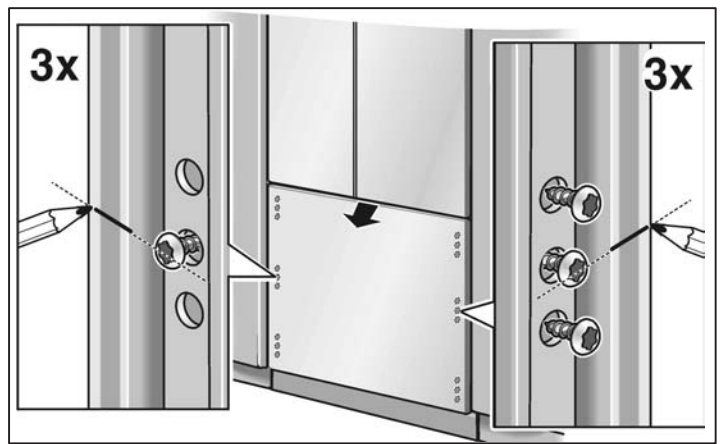
- El riel de ajuste presenta una gran variedad de perforaciones, para cubrir las diversas posibilidades de puertas de los muebles. Atornille siempre en las partes donde la puerta del mueble presente la mejor capacidad de porte.

21. Sujeción y alineación de la puerta del mueble (compartimento de congelación)

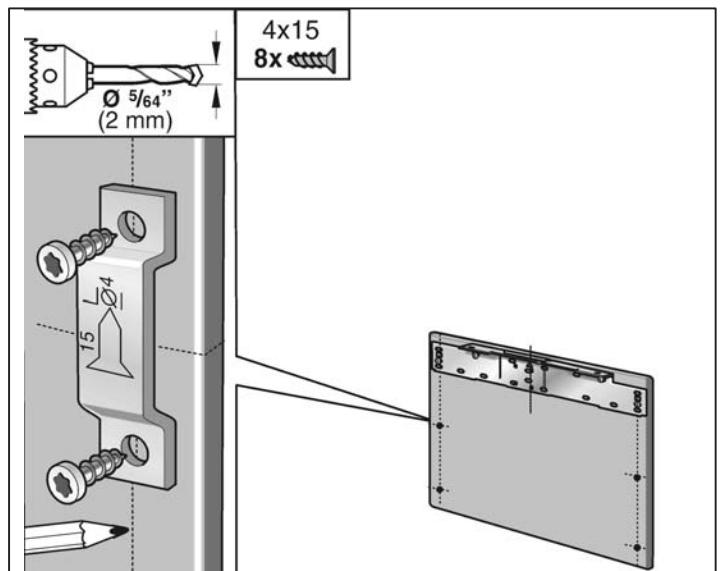
- i** Los pernos de doble rosca cumplen la función de ajustar la altura de la puerta del mueble.
- Cuelgue la puerta de los pernos de doble rosca.



- Alinee la puerta mediante los pernos de doble rosca (destornillador Torx).



- Transfiera la posición de los tornillos centrales a través del borde exterior de la puerta del mueble, a la parte frontal del mueble, practicando una marca.
- Quite la puerta del mueble.

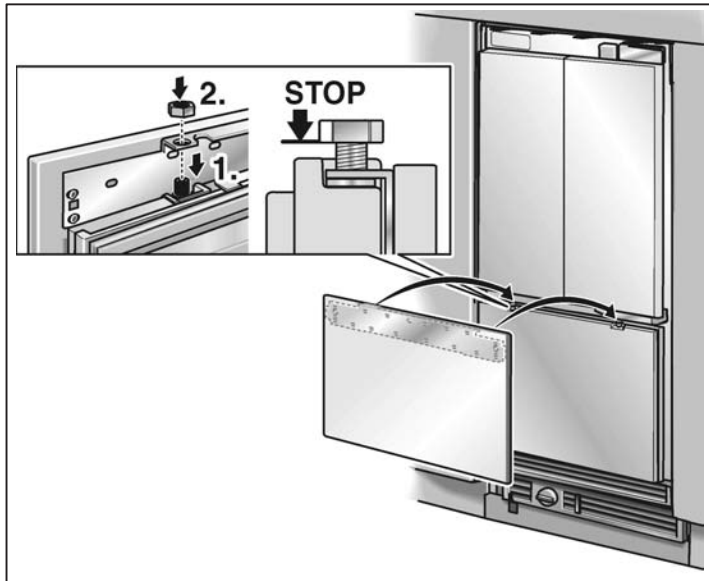


- Marque una línea vertical a través de los orificios de sujeción más externos en el riel de ajuste.

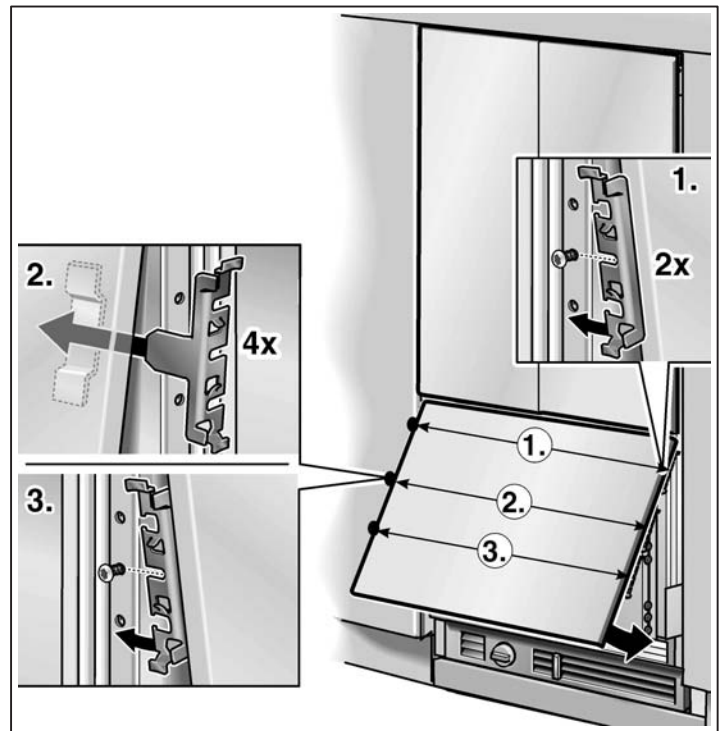
- ❑ Extienda las marcas de los orificios que acaba de hacer, a las marcas verticales mediante una escuadra.
- ❑ Marque y practique los orificios.
- ❑ Atornille las placas de sujeción (10 unidades)

22. Sujeción de la puerta del mueble (compartimento de congelación)

- i** ¡Atornille ahora las manijas del mueble que ha quitado anteriormente!



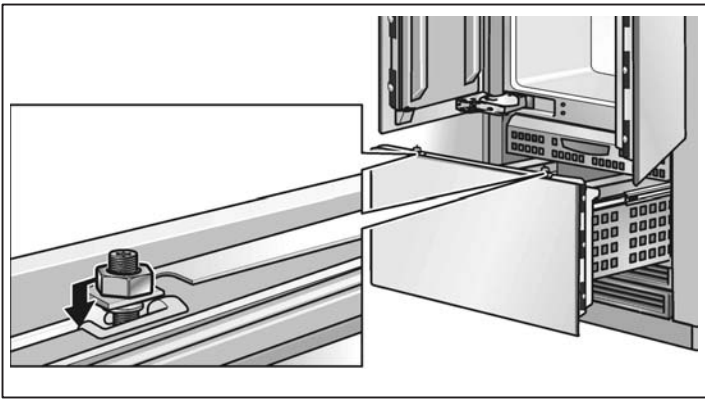
- ❑ Cuelgue la puerta con el riel de ajuste sobre los pernos de doble rosca.
- ❑ Enrosque las tuercas ligeramente en los pernos de doble rosca. ¡No las ajuste!
- ❑ Ajuste la puerta del mueble prolijamente. Alinee la puerta mediante los pernos de doble rosca (destornillador Torx).



- ❑ Sujete los soportes:
 - Levante un poco la puerta, alejándola de la puerta del mueble.
 - Desplace los soportes laterales (①.) en la izquierda y la derecha sobre los tornillos.
 - Inserte los soportes (②.) en la izquierda y la derecha en la placa de sujeción y desplace sobre los tornillos. Baje lentamente la puerta.

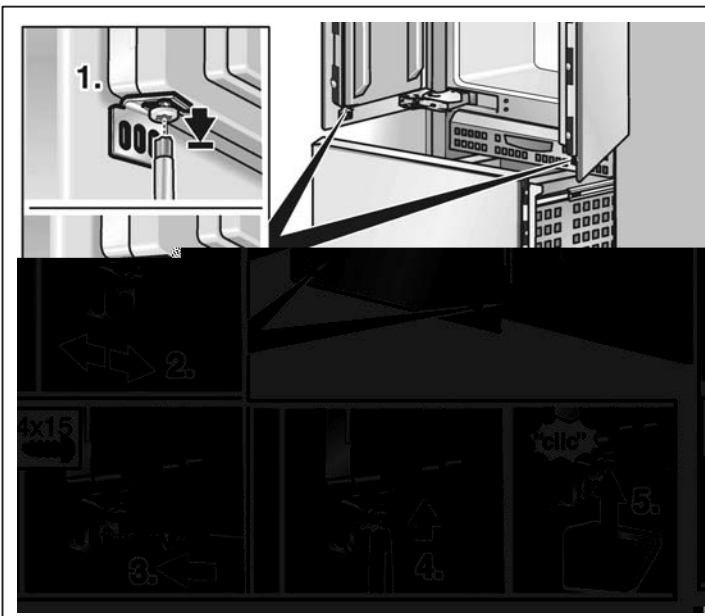
Continúe con el proceso hasta haber insertado los últimos soportes (⑥.) en la placa de sujeción y estén posicionados sobre los tornillos.

- i** Los soportes superiores ((①.) en la derecha y la izquierda) no poseen piezas laterales para insertar en la placa de sujeción.
- ❑ Cierra la puerta y controle que la profundidad del frente del mueble esté alineado con los frentes adyacentes. Corrija si hace falta.
- ❑ Ajuste los tornillos de los soportes, a fin de fijar la profundidad de alineación.
- ❑ Cierre la puerta y controle la alineación. Corrija golpeando suavemente en el borde de la puerta con la mano.



- ❑ Ajuste las tuercas en el riel de ajuste. Esto fijará el ajuste lateral de la puerta.

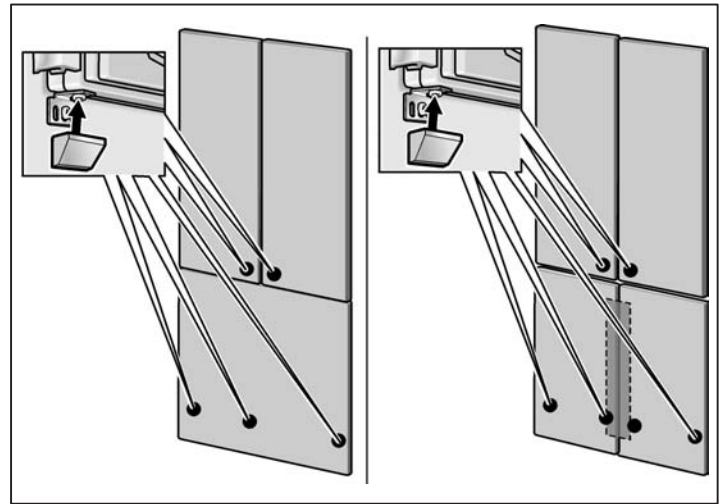
23. Montaje de los soportes inferiores



- ❑ Atornille los soportes inferiores. ¡Practique orificios preparativos en la puerta del mueble!

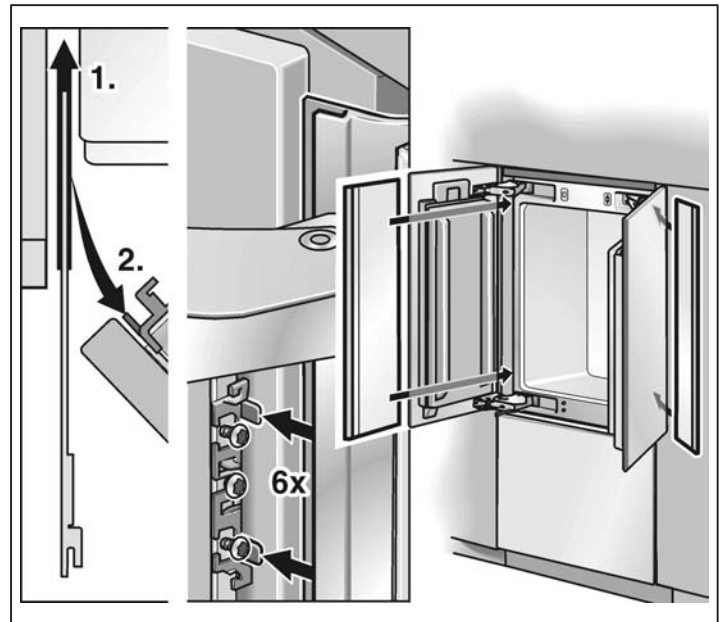
Los soportes inferiores ajustan la alineación lateral de la puerta.

1. Afloje los tornillos.
2. Controle la posición lateral de la puerta.
3. Atornille los tornillos de madera.
4. Ajuste los tornillos.
5. Coloque la cubierta sobre los soportes.

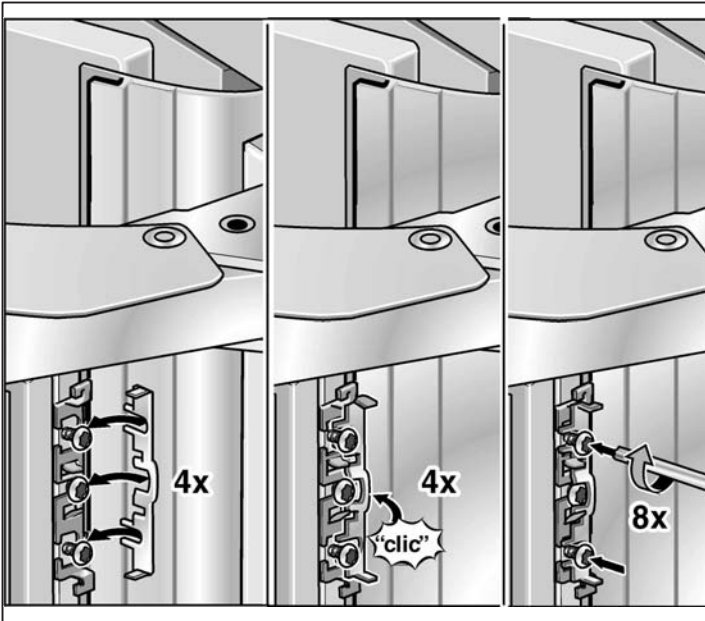


- i** La cantidad de soportes inferiores depende del ancho y el diseño de la puerta del mueble.

24. Montaje de la protección para los dedos

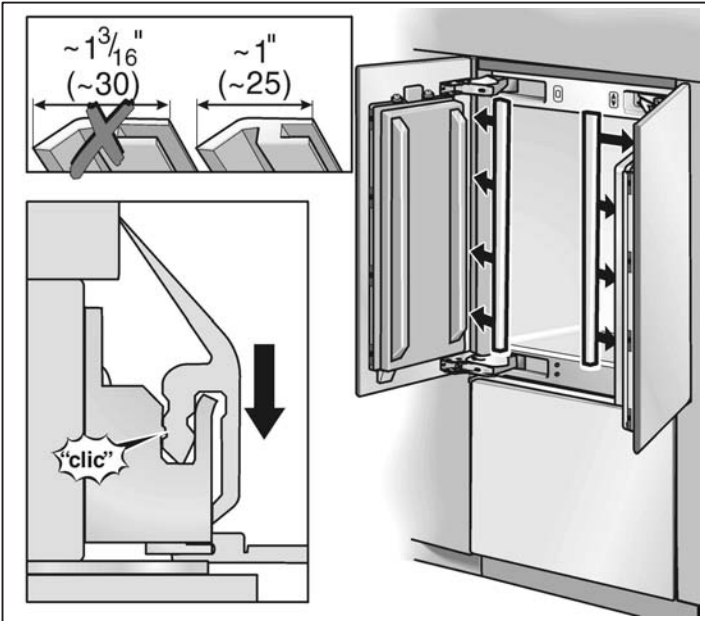


- ❑ Inserte la protección para los dedos en el espacio comprendido entre el electrodoméstico y el mueble adyacente (1.).
- ❑ Aprisione la protección para los dedos debajo de los soportes (2.).



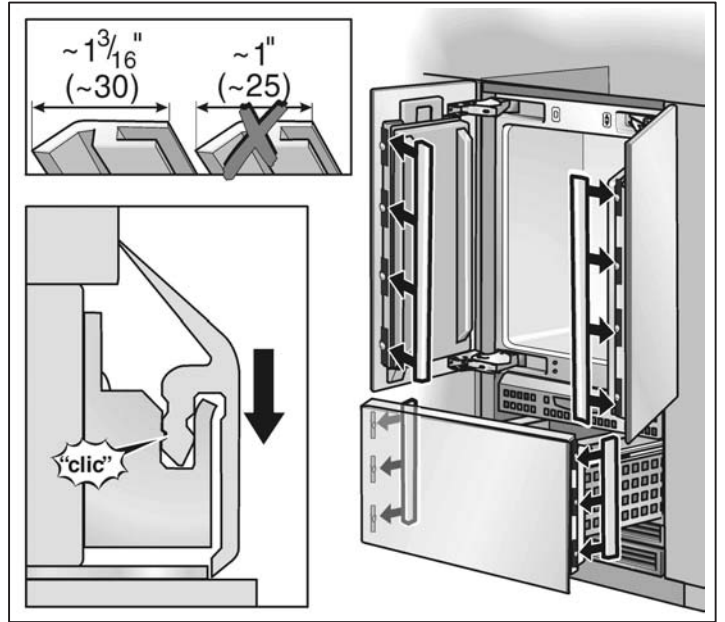
- Empuje la cubierta sobre el soporte y atornille firmemente.

25. Montaje de las cubiertas

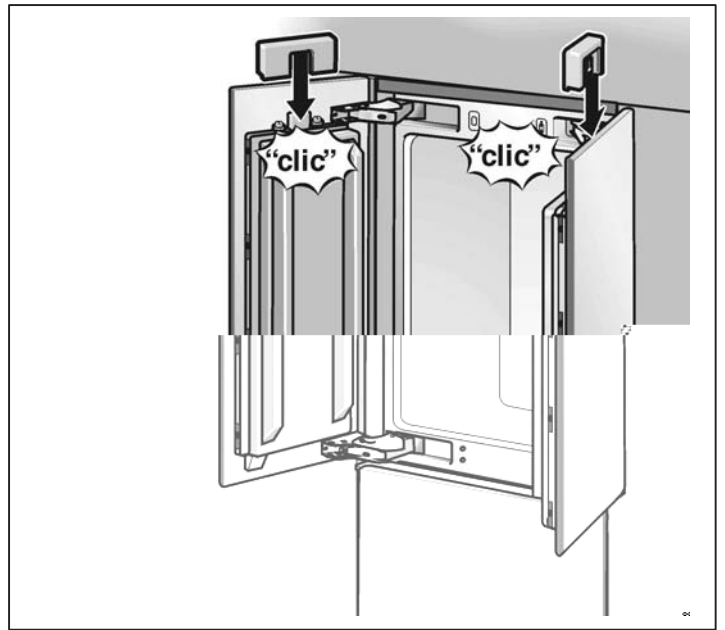


- Coloque el listón de cobertura vertical sobre la protección para los dedos.

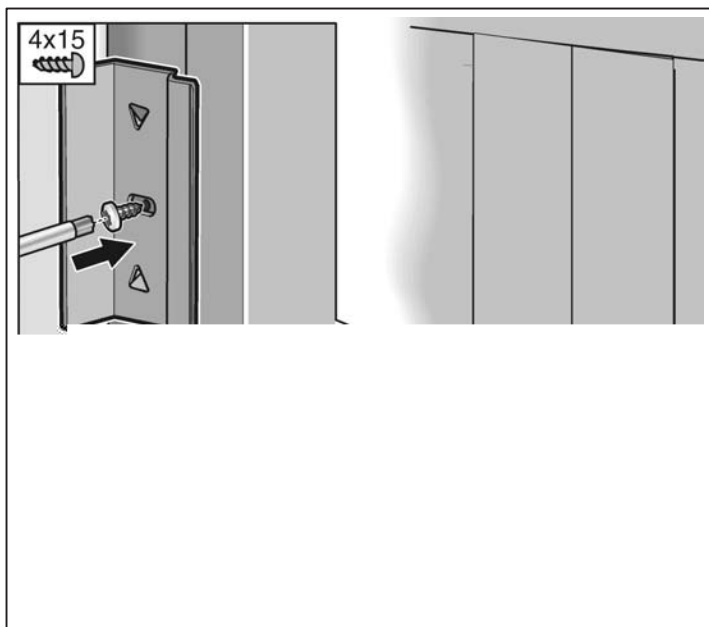
- i** La pieza lateral del listón de cobertura es más corto del lado que fue sujeta la protección para los dedos.



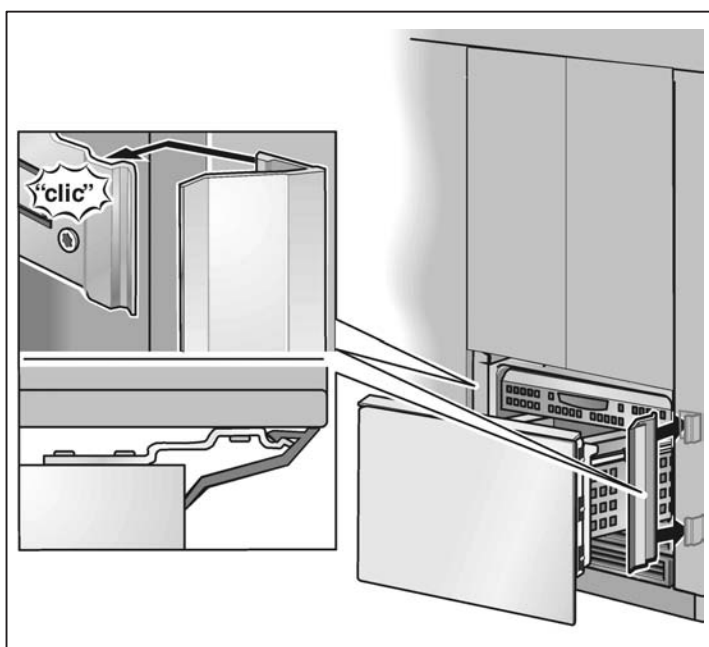
- Coloque los listones de cobertura en la puerta.



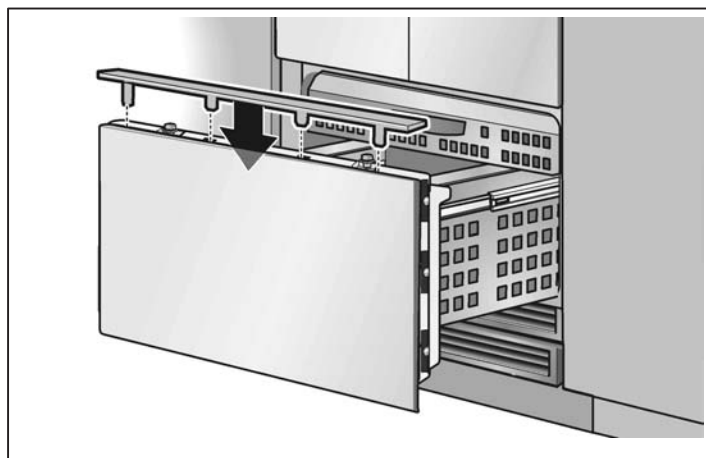
- Monte la cubierta para el conmutador de la luz.



- A Electrodoméstico
 B Mueble
- Atornille los soportes (laterales) que sujetarán el listón de cobertura.



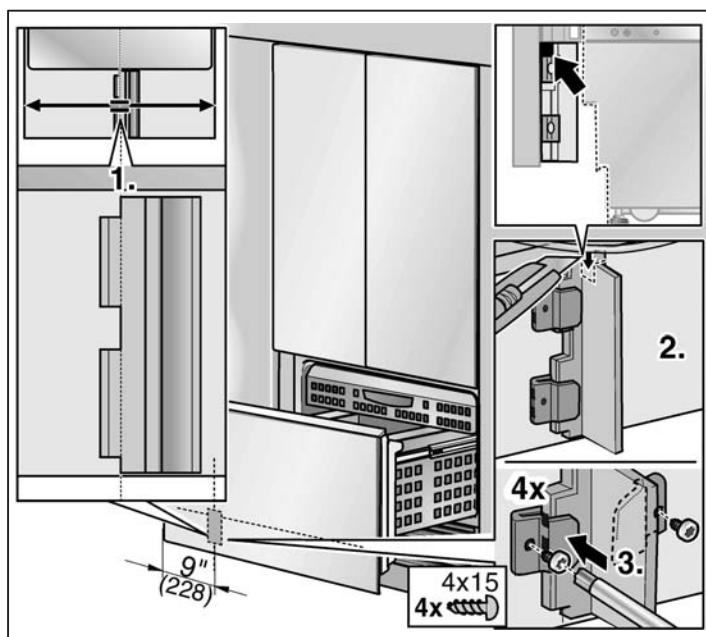
- Coloque el listón de cobertura en el espacio comprendido entre el electrodoméstico y el panel de madera (únicamente en electrodomésticos individuales).



- Coloque la placa de cobertura en la puerta del compartimiento congelador.

26. Montaje del separador de aire

Atornille el separador de aire a la puerta del mueble a fin de separar el aire de entrada y salida.



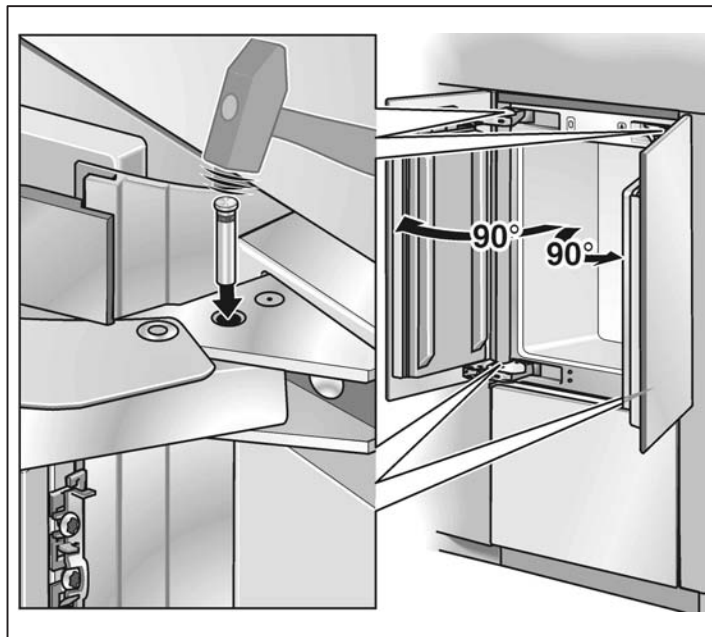
- Corte el separador de aire a la longitud necesaria.
- Sujete el separador de aire mediante las dos grapas. Oriente el separador de aire según la línea central de la puerta, como se muestra en la figura.
- i** Para equipos con salida de agua helada: Debe practicarse un recorte en el separador de aire, a la altura de la manguera.

27. Ajuste del ángulo de apertura de la puerta

Dependiendo de las condiciones de instalación, puede ser necesario ajustar el ángulo de apertura de la puerta. En fábrica se ha ajustado un ángulo de apertura de 115°.

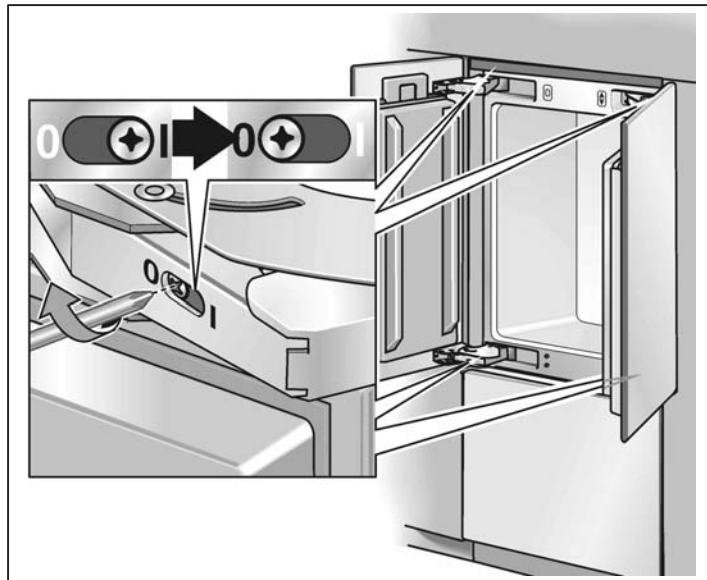
A fin de ajustar el ángulo de apertura a 90°:

- ❑ Abrir la puerta a 90°.



- ❑ Introducir el perno limitador a través de las dos perforaciones ahora enfrentadas, golpeando con un martillo.

28. Cambio del muelle de la puerta



A fin de ajustar el muelle de la puerta.

- ❑ Girar del tornillo de ajuste mediante un destornillador para ranura en cruz.
 - I = aumenta la tensión del muelle.
 - 0 = disminuye la tensión del muelle.

9000189697 (8606)

©Thermador is a Registered Trademark of BSH Home Appliances Corporation

©Thermador es una marca registrada de BSH Home Appliances Corporation

©Thermador est une marque de commerce déposée de BSH Home Appliances Corporation.

Thermador® reserves the right to make changes in models, features, and specifications without prior notice.

All rights reserved. Thermador® se reserva el derecho de hacer cambios en los modelos, características y especificaciones sin previo aviso.

Tous droits réservés. Thermador® se réserve le droit d'apporter des changements aux modèles, aux caractéristiques et aux spécifications sans préavis.

Free Manuals Download Website

<http://myh66.com>

<http://usermanuals.us>

<http://www.somanuals.com>

<http://www.4manuals.cc>

<http://www.manual-lib.com>

<http://www.404manual.com>

<http://www.luxmanual.com>

<http://aubethermostatmanual.com>

Golf course search by state

<http://golfingnear.com>

Email search by domain

<http://emailbydomain.com>

Auto manuals search

<http://auto.somanuals.com>

TV manuals search

<http://tv.somanuals.com>