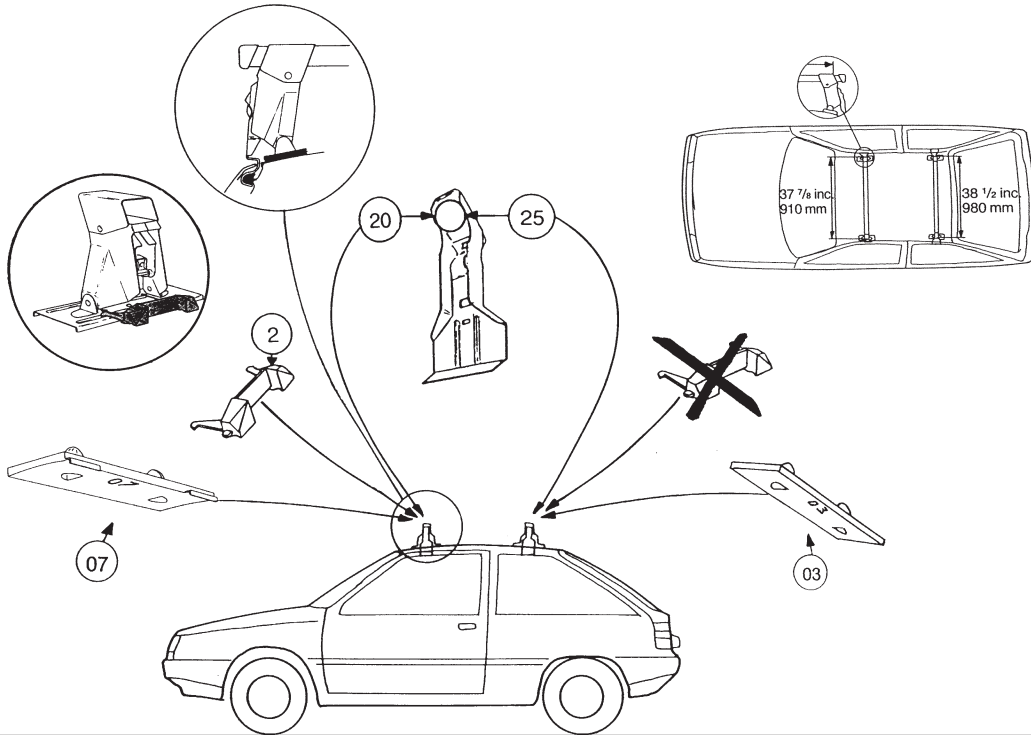
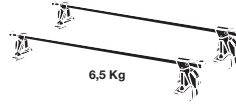


Thule System Kit 026

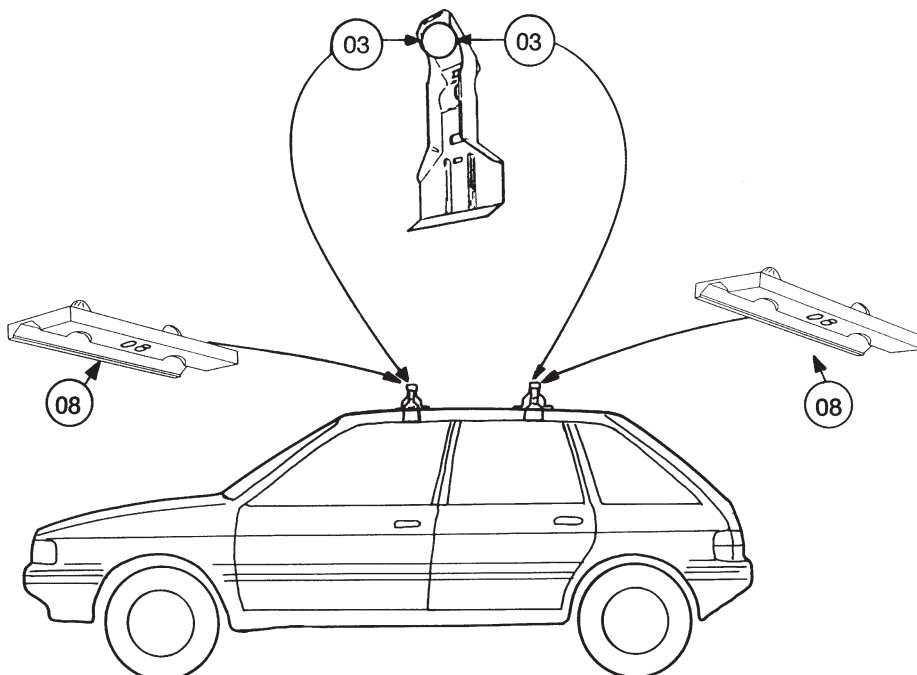
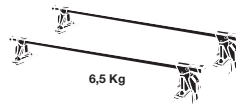
MITSUBISHI Colt, 2-dr
PLYMOUTH Colt, 2-dr



909•4EF/501-0026

Thule System Kit 027

AUSTIN Maestro



909•4EF/501-0027

Free Manuals Download Website

<http://myh66.com>

<http://usermanuals.us>

<http://www.somanuals.com>

<http://www.4manuals.cc>

<http://www.manual-lib.com>

<http://www.404manual.com>

<http://www.luxmanual.com>

<http://aubethermostatmanual.com>

Golf course search by state

<http://golfingnear.com>

Email search by domain

<http://emailbydomain.com>

Auto manuals search

<http://auto.somanuals.com>

TV manuals search

<http://tv.somanuals.com>