

THULE RACK GUIDELINES

When using Thule Load Carriers and accessories, the user must understand the precautions. The points listed below will assist you in using the rack system and will encourage safety.

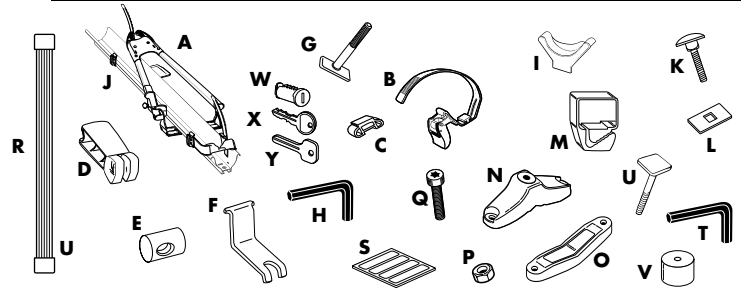
- For quality fits and safety, use only the recommended rack or accessory as stated in Thule's current Fit Guide. Do not assume a rack will fit, always check the current Fit Guide when obtaining a new vehicle. Use only Thule accessories on Thule Load Carriers. Using other brands will void your warranty.
- Do not carry more than 75 kg (165 lbs.) on Thule Load Carriers. Thule Load Carriers do not increase gutter or roof strength. Thule can not warranty loads that exceed this limit. Total load = cargo weight plus weight of accessories used to carry cargo.
- Always make sure car doors are open when mounting a roof rack system. Make sure all knobs, bolts, screws, straps, and locks are firmly attached, tightened and locked before every trip. Knobs, bolts, screws, straps, and locks must be periodically inspected for signs of wear, corrosion, and fatigue. Check your load at stops during the trip to ensure continued fastening security.
- Check local and state laws governing projection of objects beyond the width of a vehicle. Be aware of the width and height of your cargo since low clearance branches, bridges, and parking garages can affect the load. All cargo will affect the vehicle's driving behavior. Never drive with any lock, knob or rack in an open or unlocked position. All long loads such as, but not limited to, sailboards, surfboards, kayaks, canoes, and lumber must be tied down front and rear to the bumpers or tow hooks of the vehicle.
- Remove your Thule rack and accessories when they are not in use and before entering automatic car washes. Do not attach Thule rack to vinyl tops, T-tops or fiberglass tops or to vehicles not listed in the current Fit Guide.
- All locks must be turned and moved periodically to ensure smooth operation. Use graphite or dry lubricant to help this. Thule locks are designed to deter vandalism and theft. Remove valuable gear if your vehicle is unattended for an extended period. Place at least one key in the glove compartment. Replacement keys are available only through your Thule dealer.
- For safety to your vehicle and rack system, obey all posted speed limits and traffic cautions. Adapt your speed to the conditions of the road and the load being carried.
- Do not use Thule load carriers and accessories for purposes other than those for which they were designed. Do not exceed their carrying capacity. Failure to follow these guidelines or the product's instructions will void the warranty.
- Consult with your Thule dealer if you have any questions regarding the operations and limits of Thule products. Review all instructions and warranty information carefully.

THULE
SWEDEN

#899xt Big Mouth™ Rack-Pack™



PARTS INCLUDED



part	description	part#	qty
A	upright carrier	753-2390	1
B	wheel strap	753-2715	2
C	road bike adapter	853-1405	2
D	Lever	853-3506	2
E	Barrel Nut	853-0446	2
F	L-Clamp	853-2087	2
G	T-Bolt	853-2040	2
H	hex key	853-0930	1
I	end cap	853-1436	2
J	wheel tray	853-1402-56	1
K	carriage bolt	915-0625-11	2
L	rectangular washer	853-2154	2
M	square bar clamp-on	853-2156	2
N	top mounting clamp*	853-5267	4
O	bottom mounting clamp*	853-5268	4
P	hex nut*	936-0600-11	12
Q	tamper proof screw M6*	853-5269	8
R	load bar	853-0182-35	1
S	rubber pad*	853-5293	1
T	tamper proof wrench*	853-5270	1
U	square head bolt*	853-2089	2
V	spacer*	853-5284	2
W	lock cylinder*	-	2
X	locking key*	-	2
Y	change key	-	1

* NOTE: Parts included for attaching additional bike carrier



MAXIMUM CAPACITY 2 BIKES

Not recommended for '00- Ford Excursion.

For attachment to '00- Nissan Xterra and '00- Nissan Frontier Crew Cab use longer bolts in part bag #753-2756 (NOT INCLUDED IN #899) available from local Thule dealer.

INSTALLATION INSTRUCTIONS

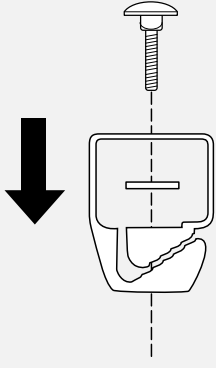
**THULE U.S.A., 42 SILVERMINE RD.
SEYMOUR CT 06483**

501-5318

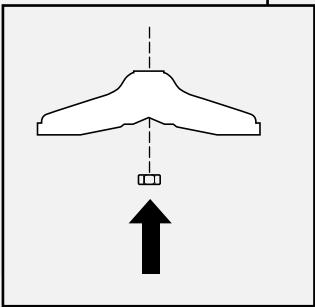
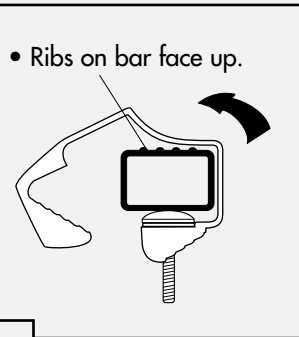
1

PREASSEMBLY

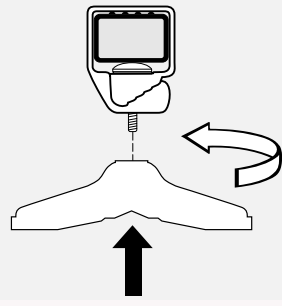
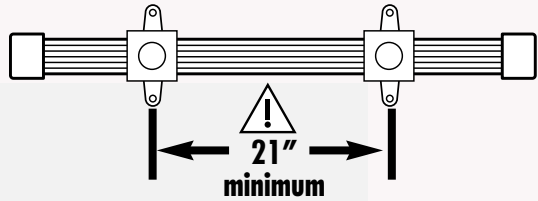
- Assemble bolts, square washers, and clamp-ons.



- Attach clamp-ons to included load bar.



- Press nuts into top mounting clamps.

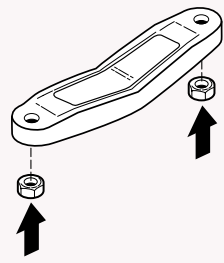
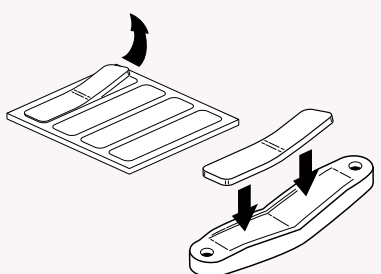


- Thread top mounting clamps onto bolts.

! Do not overtighten.

2

- Apply rubber pads to bottom mounting clamp.



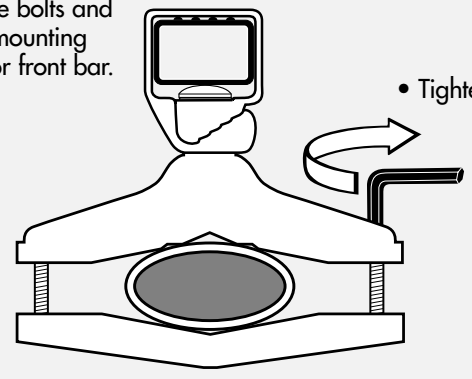
- Press nuts into bottom mounting clamps.

3

PREASSEMBLY

- Attach bar assembly to front of rack.

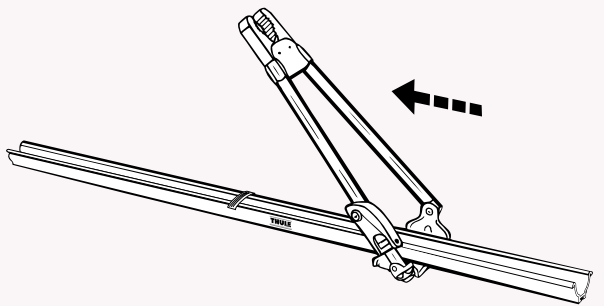
- Assemble bolts and bottom mounting clamp for front bar.



4

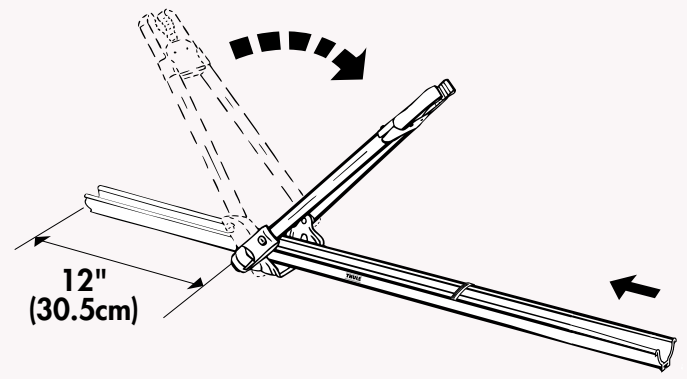
FOR DRIVER'S SIDE MOUNTING

- Carrier has been assembled for passenger side mounting. If you wish to mount carrier on the opposite side of vehicle follow steps A and B.



- A** • Loosen down tube holder assembly on bottom of tray with hex key and slide down to the opposite end of tray.

- B** • Position front edge of down tube holder plate 12" (30.5cm) from the end of the tray and re-tighten.

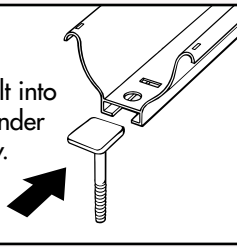


CARRIER INSTALLATION

5

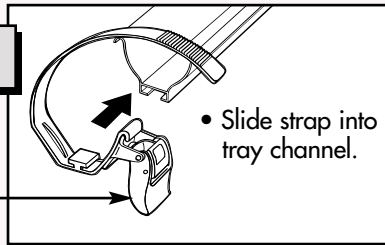
A

- Slide T bolt into channel under wheel tray.



B

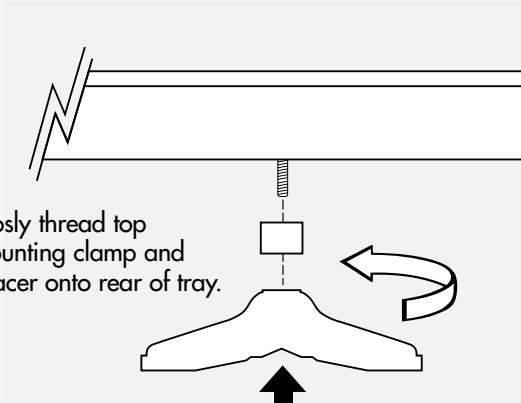
- Buckle on same side as lock.



- Slide strap into tray channel.

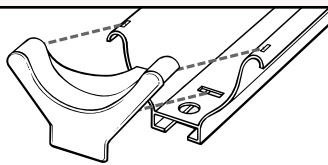
C

- Loosely thread top mounting clamp and spacer onto rear of tray.



D

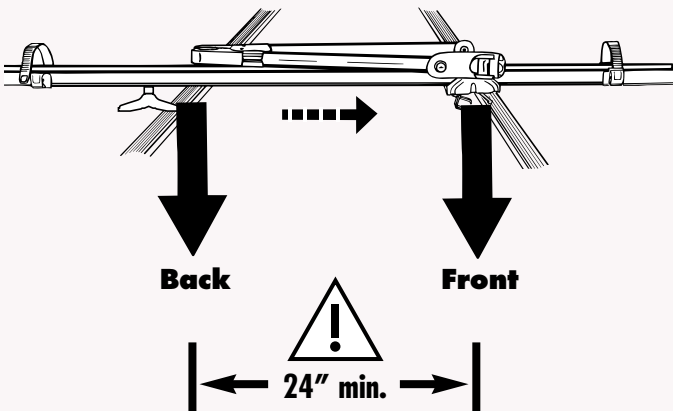
- Align endcap tabs.
- Snap onto tray.



6

ATTACH TO RACK

- Install carrier onto bar by sliding it into position. Pull the mounting lever/T-bolt assembly up and out of the way to make sliding onto the load bars easier.

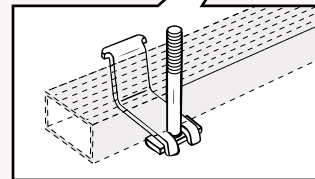
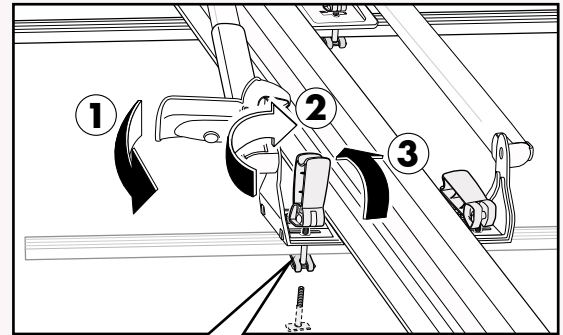


FRONT AND REAR HARDWARE

6

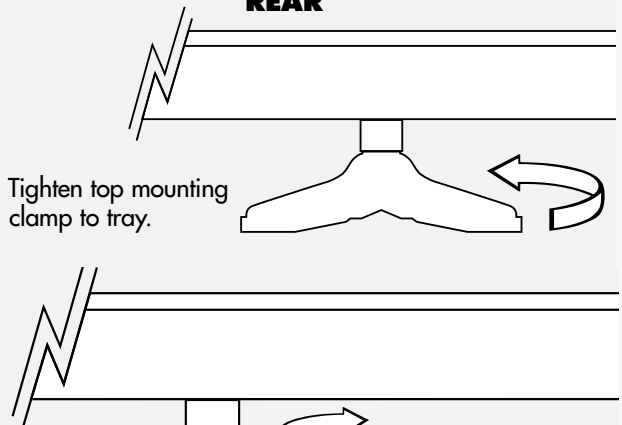
FRONT

- Open handle.
- Fasten carrier to the load bars by engaging T-bolt and L-clamp (as illustrated) and turning the mounting lever clockwise. Close the mounting lever back down on the mounting plate. There should be firm pressure when closing the lever. If it is too tight, release tension by pulling the lever back up and turning it counter clockwise. If it is too loose, pull the lever back up and tighten the lever clockwise. Close mounting lever.



REAR

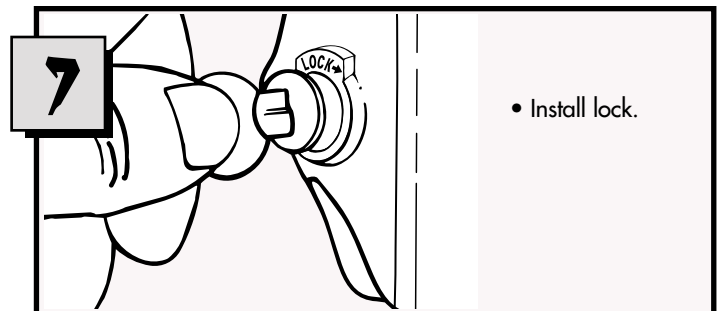
- Tighten top mounting clamp to tray.



- Assemble bolts and bottom mounting clamp for rear bar.
- Tighten snugly.

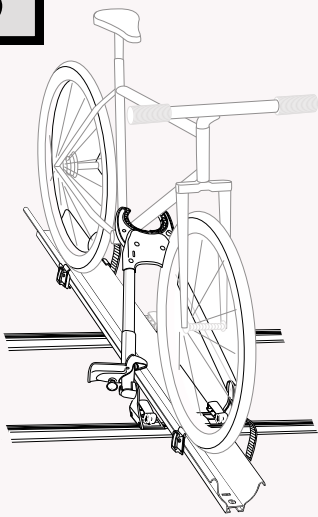
7

- Install lock.



BIKE INSTALLATION

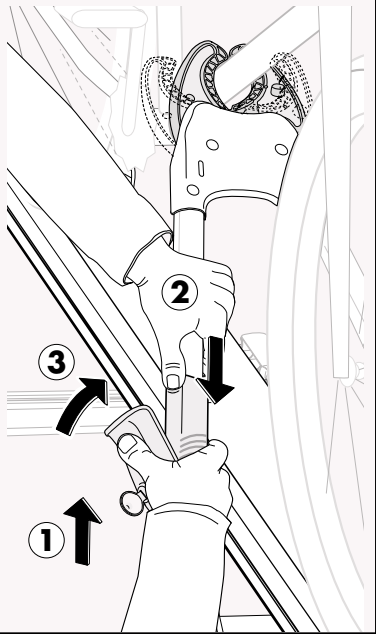
8



- Center downtube in middle of jaws.

9

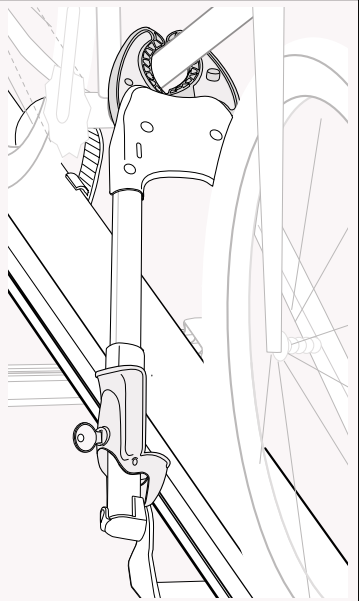
- Release handle from open position. (jaws will clamp downtube)
- Push down on slider.
- Engage handle with slider and close fully.



10

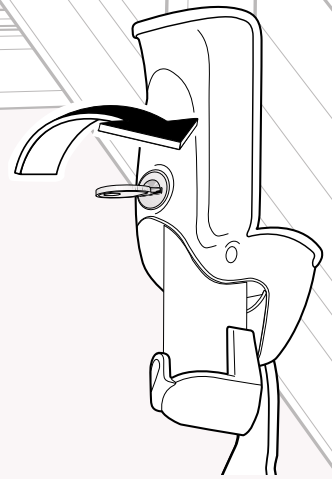


Make sure handle is fully closed and jaws are secure on bike downtube.



11

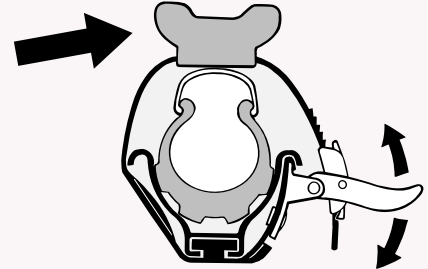
- Turn to lock.
- Locking deters theft of bike and carrier.



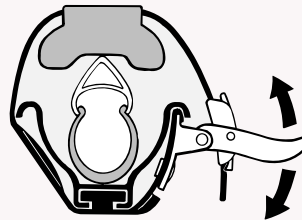
SECURE REAR TIRE

12

Slide on adapter.



Mountain bike



Road bike

COMPATIBILITIES/RESTRICTIONS

- No more than 2 bikes can be carried on #899xt.
- Installation of #899xt may interfere with full opening of rear hatches.
- Only compatible with #589, #599xt, and #525 carriers.
- Due to their wind resistance, it is not recommended to carry disk wheels or wheels with covers on Thule bike or wheel carriers.
- Failure to properly install, adjust, use, and maintain the quick release mechanism on this carrier may result in damage to the vehicle and bike as well as serious personal injury.
- Any modification to bike dropouts can cause insufficient fork mount clamping pressure and may result in damage or loss of bike.

Free Manuals Download Website

<http://myh66.com>

<http://usermanuals.us>

<http://www.somanuals.com>

<http://www.4manuals.cc>

<http://www.manual-lib.com>

<http://www.404manual.com>

<http://www.luxmanual.com>

<http://aubethermostatmanual.com>

Golf course search by state

<http://golfingnear.com>

Email search by domain

<http://emailbydomain.com>

Auto manuals search

<http://auto.somanuals.com>

TV manuals search

<http://tv.somanuals.com>