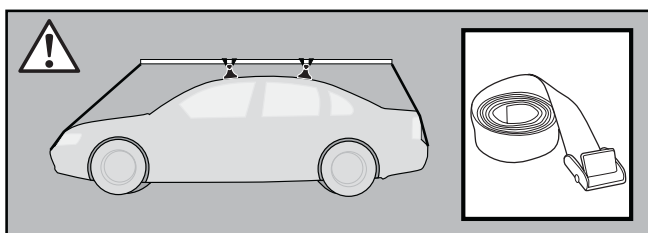
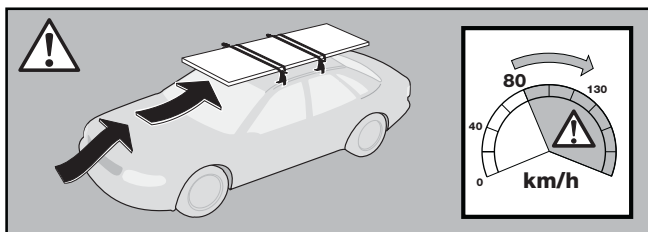
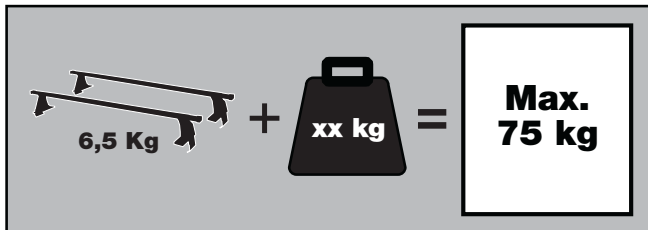


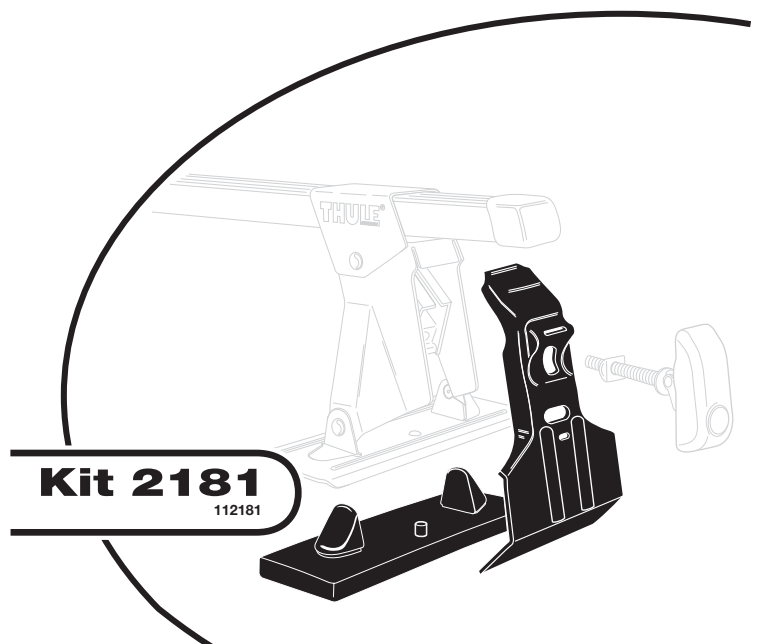
THULE®

SWEDEN

- GB** Fitting instructions
- D** Montageanleitung
- F** Instructions de montage
- NL** Montage-instructies
- I** Istruzioni per il montaggio
- E** Instrucciones de montaje
- PT** Instruções de Montagem
- S** Monteringsanvisning
- FIN** Asennusohje
- EST** Paigaldusjuhend
- LAT** Stiprināšanas instrukcija
- LIT** Pritvirtinimo instrukcijos
- PL** Instrukcja montażu
- RU** Инструкции по установке
- CZ** Návod na montáž
- SK** Návod na montáž
- SLO** Navodila za pritrjevanje
- HR** Uputa za sastavljanje
- HU** A felszerelés módja
- GR** Οδηγίες συναρμολόγησης
- TR** Montaj talimatları
- 中文** 安装说明
- 日本語** 取扱(取付)説明書
- 한국어** 장착 지침
- ไทย** คำแนะนำการติดตั้ง



TOYOTA Yaris, 4-dr sedan, 07-



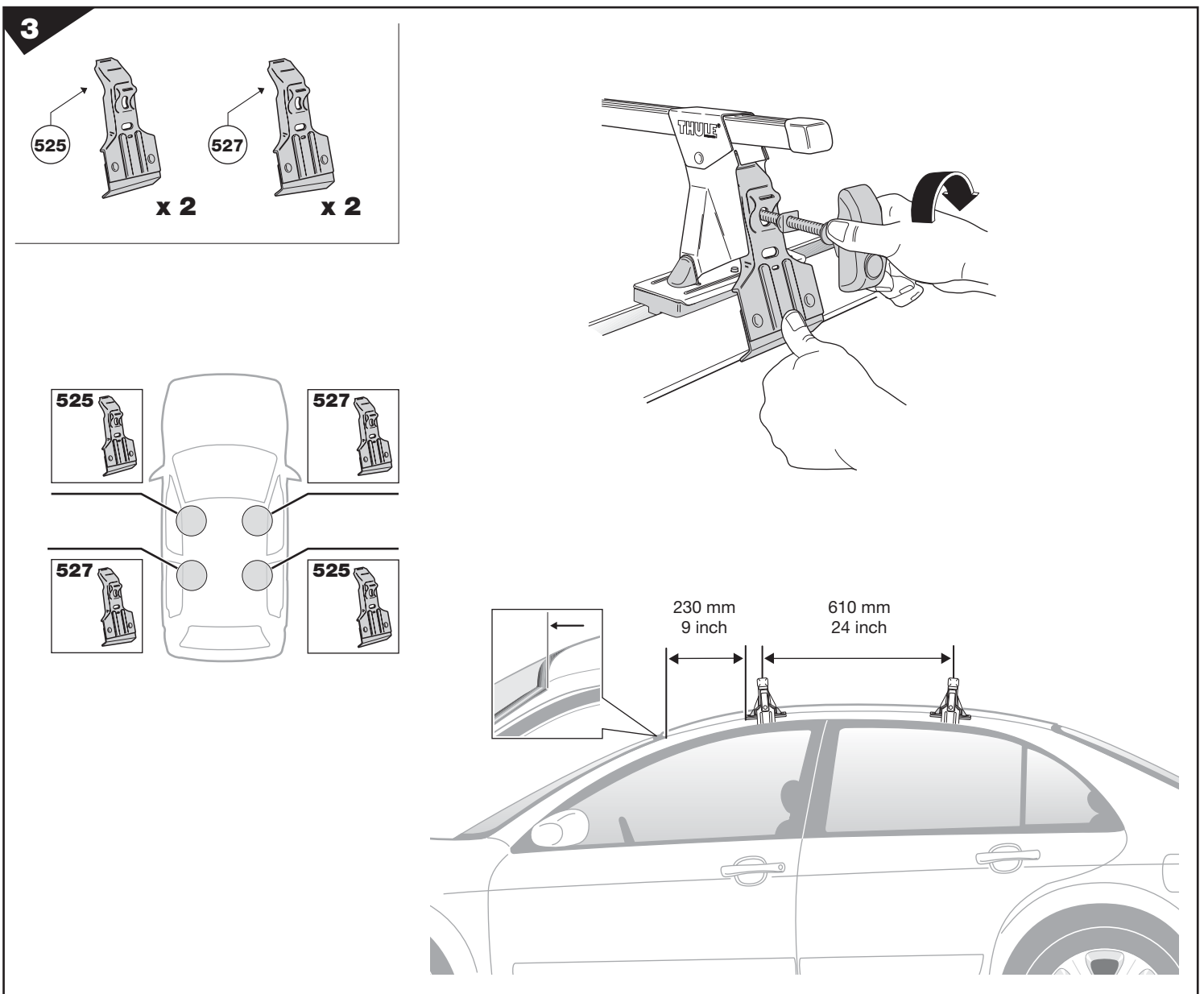
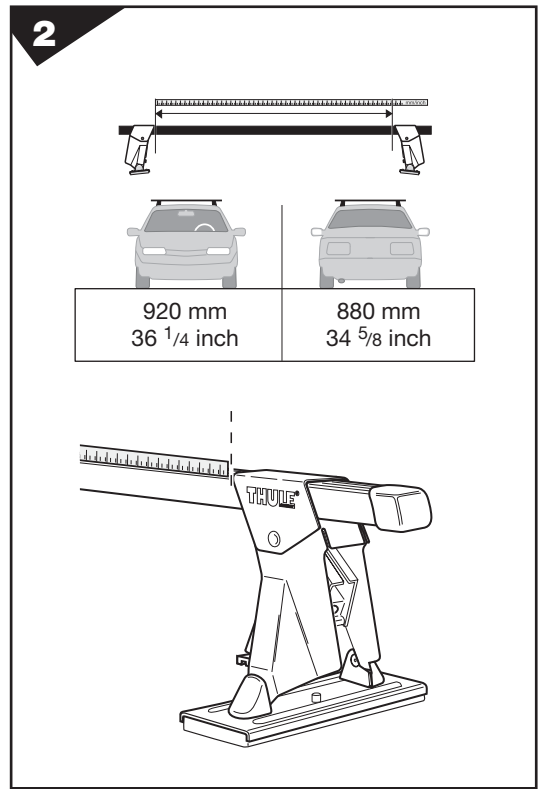
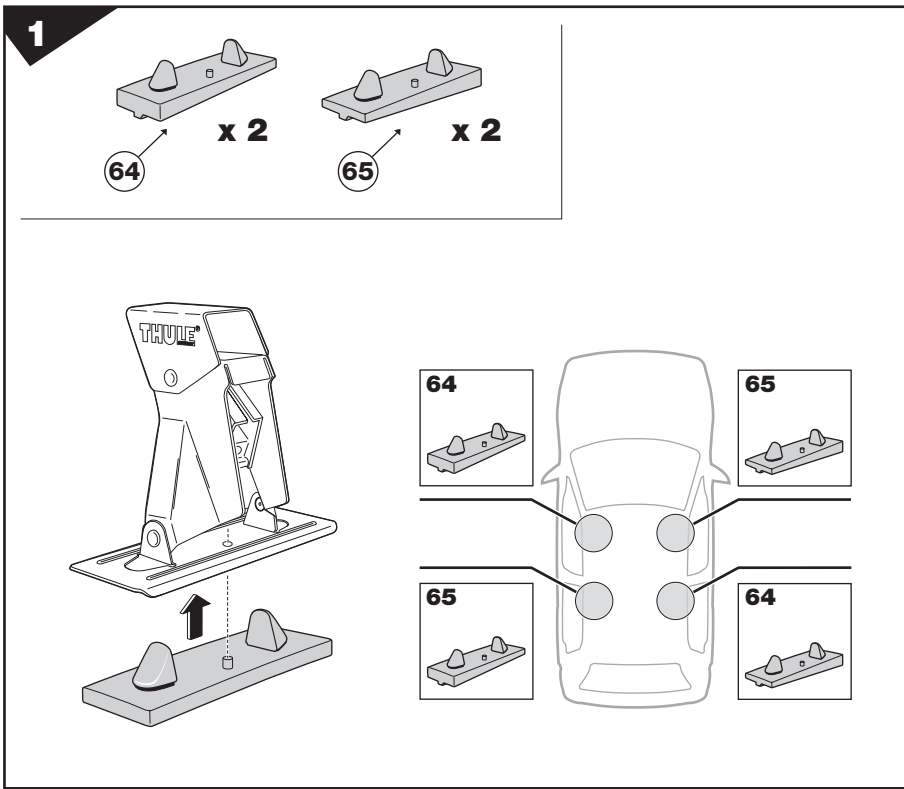
THULE®

SWEDEN

Box 69, 330 33 Hillerstorp, SWEDEN
www.thule.com

635*4DF/501-2181

Follow me...



Free Manuals Download Website

<http://myh66.com>

<http://usermanuals.us>

<http://www.somanuals.com>

<http://www.4manuals.cc>

<http://www.manual-lib.com>

<http://www.404manual.com>

<http://www.luxmanual.com>

<http://aubethermostatmanual.com>

Golf course search by state

<http://golfingnear.com>

Email search by domain

<http://emailbydomain.com>

Auto manuals search

<http://auto.somanuals.com>

TV manuals search

<http://tv.somanuals.com>