



Tivoli Storage Manager

Messages

Version 3 Release 7



Tivoli Storage Manager

Messages

Version 3 Release 7

Note!

Before using this information and the product it supports, be sure to read the general information under “Notices” on page 1383.

This publication is also available in a softcopy form that can be viewed with the IBM BookManager READ licensed program or the Adobe Acrobat Reader.

Second Edition (April 2000)

This edition applies to Version 3 Release 7 of the Tivoli Storage Manager for AIX , AS/400, HP-UX, Sun Solaris, Windows NT (5697-TSM and 5697-DRM); MVS and OS/390 (5697-TSO and 5697-DRO); Tivoli Data Protection for Lotus Notes (5697-DPN), Tivoli Data Protection for Oracle (5697-DPO), Tivoli Data Protection for Microsoft SQL (5697-DPS), Tivoli Data Protection for Microsoft Exchange (5697-DPX), Tivoli Space Manager (5697-SPM) and to all subsequent releases and modifications until otherwise indicated in new editions.

Order publications through your sales representative or the branch office serving your locality.

Your feedback is important in helping to provide the most accurate and high-quality information. If you have comments about this book or any other Tivoli Storage Manager documentation, please see “Do You Have Comments or Suggestions?” on page xvi.

© Copyright International Business Machines Corporation 1993, 2000. All rights reserved.

US Government Users Restricted Rights – Use, duplication or disclosure restricted by GSA ADP Schedule Contract with IBM Corp.

Contents

Preface vii

Messages Not Appearing in This Publication	vii
Softcopy Publications	ix
Tivoli Storage Manager Publications	x
Related AS/400 System Publications	xiii
Referenced MVS System Publications	xiii
Related IBM® Hardware Products Publications	xiv
IBM International Technical Support Center Publications (Redbooks)	xiv
Referenced Publications	xiv
Software Developer's Program.	xv
Tivoli Storage Manager Web site	xv
Do You Have Comments or Suggestions?	xvi
Translations	xvi

Summary of Changes for Tivoli Storage Manager xvii

Changes for Version 3 Release 7–April 2000	xvii
Product Repackaging Changes–September 1999	xvii
Changes for Version 3 Release 7–September 1999	xviii
Changes for Version 3–January 1999	xx
Changes for Version 3–September 1998	xx
Changes for Version 3–March 1998	xxii
Changes for Version 3–October 1997	xxii

Part I. Introduction 1

Chapter 1. Introduction..... 3

Understanding Messages	5
Message Format	5
Chapter 2. Obtaining Help with Tivoli Storage Manager	9
Internet and IBMLink Assistance.	9
Internet	9
IBMLink/ServiceLink	9
Describing the Error with Keywords	10
Component Identification Keyword	10
Type-of-Failure Keyword.	11
Command Keyword.	12
Function Keyword.	12
Obtaining Online HELP (Get Help on Error Messages)	12
Contacting Your Service Representative	12
Running Trace Commands.	12
Messages That Do Not Appear in This Publication.	13
<hr/>	
Part II. Server Messages: Common and Platform Specific (ANR); Client Events Logged to Server (ANE)	15
Chapter 3. Common and Platform Specific Messages (ANR0100–ANR9999)	17
Chapter 4. Client Events Logged to Server (ANE4000—4999)	1079
<hr/>	
Part III. Client Messages	1087
Chapter 5. Client Message Repository File (0100–0199)	1089

Chapter 6. Application Program Interface (0200–0479)	1093
Chapter 7. Client Common Messages (1000–1999)	1111
Chapter 8. Command–Line Client Messages (1053–3999)	1151
Chapter 9. Enterprise Management (2500–2999)	1193
Chapter 10. Client Event Logging (4000–4999)	1199
Chapter 11. Graphical User Interface Client (5000–5999)	1209
Chapter 12. Macintosh Backup-Archive Client (6000–6999)	1225
Chapter 13. Windows Backup-Archive Client (7000–7999)	1227
Chapter 14. Administrative Command Line Client (8000–8499)	1233
Chapter 15. Tivoli Space Manager (9000–9999)	1245
<hr/>	
Part IV. Tivoli Data Protection Application Client Messages	1333
Chapter 16. Tivoli Data Protection for Lotus Notes (0900–0999)	1335
Chapter 17. Tivoli Data Protection for Microsoft SQL (ACO0301-5203)	1349

Chapter 18. Tivoli Data Protection for Oracle (0500–0599)	1379
Part V. Appendixes	1381
Appendix A. Notices	1383
Programming Interface.	1385
Trademarks	1386
Appendix B. Allocating Additional Server Memory	1389
Appendix C. I/O Error Code Descriptions for Server Messages	1391
Completion Code and Operation Code Values.	1392
Completion Code Values Common to All Device Classes	1393
Completion Code Values for Media Changers.	1394
Completion Code Values for Tape and Optical Drives.	1396
Operation Code Values for Tape Library Devices	1397
Common Values for ASC and ASCQ Codes	1398
Windows NT Event Log Entries.	1402
Appendix D. Device Errors in AIX System Error Log	1403
Appendix E. Checklist for Contacting your Service Representative	1407
Glossary	1409

Preface

Tivoli® Storage Manager (TSM) is a client/server program that provides storage management services to customers in a multivendor computer environment. TSM provides an automated, centrally scheduled, policy-managed backup, archive, and space management facility for file servers and workstations.

This publication contains explanations and suggested actions for messages issued by the Tivoli Storage Manager server program for storage management services, the administrative client graphical user interface, administrative command line client, and backup-archive client.

Messages Not Appearing in This Publication

Message numbers in the range ANR0100–0120, and any with 9999 are not published in this manual. They are considered severe errors and should be recorded and included in a problem report when contacting the service representative. The following messages are not published in this manual:

Common Messages	AIX Specific	MVS Specific	Windows NT Specific	HP-UX Specific	Sun Solaris Specific
ANR0628I	ANR7837S		ANR7830E	ANR7823S	ANR7823S
ANR0680E	ANR7845S		ANR7831I		
ANR0702E	ANR7846S		ANR7832E		
ANR0703E	ANR7847S		ANR7833I		
ANR0704E	ANR7848S		ANR7836S		
ANR1592E			ANR7837S		
ANR1601E			ANR7838S		
ANR2704E			ANR7839E		
ANR2705E			ANR7850S		
ANR2706E			ANR7851S		
ANR2710E					
ANR2711E					
ANR2801E					
ANR2802E					

Common Messages	AIX Specific	MVS Specific	Windows NT Specific	HP-UX Specific	Sun Solaris Specific
-----------------	--------------	--------------	---------------------	----------------	----------------------

ANR2830W
 ANR2840I
 ANR2845I
 ANR2846I
 ANR4024I
 ANR4400I
 ANR4401I
 ANR4696E

Message number ANR7831I and numbers in the range ANR7900–8199 are AS/400® platform specific messages and are not published in this manual. You can obtain the explanation for these messages using AS/400 commands such as WRKMSGD to get to the "Work with Message Descriptions" panel. The unpublished messages are:

ANR7831I	ANR7918I	ANR7937I	ANR7980E	ANR7998E	ANR8066E	ANR8124E
ANR7900E	ANR7919E	ANR7938E	ANR7981E	ANR7999E	ANR8067E	ANR8125E
ANR7901E	ANR7920E	ANR7939E	ANR7982E	ANR8050E	ANR8068E	ANR8126I
ANR7902E	ANR7921E	ANR7940E	ANR7983E	ANR8051I	ANR8069E	ANR8127E
ANR7903E	ANR7922E	ANR7941E	ANR7984E	ANR8052I	ANR8070E	ANR8128E
ANR7904E	ANR7923E	ANR7943E	ANR7985I	ANR8053I	ANR8071E	ANR8129E
ANR7905E	ANR7924E	ANR7944E	ANR7986E	ANR8054E	ANR8072E	ANR8130E
ANR7906E	ANR7925E	ANR7946I	ANR7987I	ANR8055I	ANR8095E	ANR8131E
ANR7907E	ANR7926E	ANR7947I	ANR7988I	ANR8056E	ANR8100I	ANR8132E
ANR7908E	ANR7927E	ANR7950E	ANR7989E	ANR8057E	ANR8101E	ANR8133W
ANR7909E	ANR7928E	ANR7951E	ANR7990E	ANR8058E	ANR8102E	ANR8134W
ANR7910I	ANR7930I	ANR7952E	ANR7991E	ANR8059E	ANR8103I	ANR8135E
ANR7911I	ANR7931I	ANR7955I	ANR7992E	ANR8060E	ANR8110I	ANR8136I
ANR7912S	ANR7932I	ANR7959E	ANR7993I	ANR8061E	ANR8111I	ANR8137I
ANR7913S	ANR7933I	ANR7960E	ANR7994I	ANR8062E	ANR8120I	ANR8138I
ANR7914E	ANR7934I	ANR7961E	ANR7995I	ANR8063E	ANR8121I	ANR8139I
ANR7915E	ANR7935I	ANR7962E	ANR7996E	ANR8064E	ANR8122I	ANR8140E
ANR7916E	ANR7936I	ANR7963E	ANR7997E	ANR8065E	ANR8123I	ANR8141I

Message numbers in the range ANE4000–4999 are client event logging messages. These messages (or events) are sent to the server for distribution to various event logging receivers. The client may send statistics to the server providing information about a backup or restore. These statistics are informational and self-explanatory messages that may be enabled or disabled to the various event logging receivers. The following messages are not published in this manual:

ANE4950 ANE4951 ANE4952 ANE4953 ANE4954 ANE4955 ANE4956
ANE4957 ANE4958 ANE4959 ANE4960 ANE4961 ANE4962 ANE4963
ANE4964 ANE4965 ANE4966 ANE4967 ANE4968 ANE4969 ANE4985
ANE4986 ANE4990 ANE4991 ANE4992 ANE4993 ANE4994

See “Internet and IBMLink Assistance” on page 9 for additional information.

Note: You may receive other messages that are not documented in this manual. Those messages may have been created after this manual was published. Use the online help facility to display the help text specific to the message.

Softcopy Publications

For the AIX[®] and Windows NT[®] operating systems, softcopy TSM publications are included with the TSM product code.

The TSM library is available in softcopy on the following CD-ROMs:

Title	Order Number
MVS Collection Kit	SK2T-0710
VM Collection Kit	SK2T-2067
OS/390 Collection Kit	SK2T-6700
Transaction Processing and Data Collection Kit	SK2T-0730

Tivoli Storage Manager Publications

The following table list TSM server publications.

Publication Title	Order Number
<i>Tivoli Storage Manager Messages</i>	GC35-0382
<i>Tivoli Storage Management Products License Information</i>	LC23-4466
<i>Tivoli Storage Manager for AIX Quick Start</i>	GC35-0367
<i>Tivoli Storage Manager for AIX Administrator's Guide</i>	GC35-0368
<i>Tivoli Storage Manager for AIX Administrator's Reference</i>	GC35-0369
<i>Tivoli Storage Manager, S/390 Edition Licensed Program Specifications</i>	GC26-7345
<i>Tivoli Storage Manager for MVS and OS/390 Quick Start</i>	GC35-0376
<i>Tivoli Storage Manager for MVS and OS/390 Administrator's Guide</i>	GC35-0377
<i>Tivoli Storage Manager for MVS and OS/390 Administrator's Reference</i>	GC35-0378
<i>Tivoli Storage Management Products License Information</i>	LC23-4466
<i>Tivoli Storage Manager for Windows Quick Start</i>	GC35-0379
<i>Tivoli Storage Manager for Windows Administrator's Guide</i>	GC35-0380
<i>Tivoli Storage Manager for Windows Administrator's Reference</i>	GC35-0381
<i>Tivoli Storage Management Products License Information</i>	LC23-4466
<i>Tivoli Storage Manager for HP-UX Quick Start</i>	GC35-0370
<i>Tivoli Storage Manager for HP-UX Administrator's Guide</i>	GC35-0371
<i>Tivoli Storage Manager for HP-UX Administrator's Reference</i>	GC35-0372
<i>Tivoli Storage Management Products License Information</i>	LC23-4466

Publication Title	Order Number
<i>Tivoli Storage Manager for AS/400 Quick Start</i>	GC35-0317
<i>Tivoli Storage Manager for AS/400 Administrator's Guide</i>	GC35-0315
<i>Tivoli Storage Manager for AS/400 Administrator's Reference</i>	GC35-0316
<i>Tivoli Storage Management Products License Information</i>	LC23-4466
<i>Tivoli Storage Manager for Sun Solaris Quick Start</i>	GC35-0373
<i>Tivoli Storage Manager for Sun Solaris Administrator's Guide</i>	GC35-0374
<i>Tivoli Storage Manager for Sun Solaris Administrator's Reference</i>	GC35-0375

The following table list the TSM client publications.

Publication Title	Order Number
<i>Tivoli Space Manager for UNIX Using the Hierarchical Storage Management Clients</i>	SH26-4098
<i>Tivoli Storage Manager for Macintosh Using the Backup-Archive Client</i>	SH26-4103
<i>Tivoli Storage Manager for UNIX Using the Backup-Archive Clients</i>	SH26-4105
<i>Tivoli Storage Manager for OS/2 Using the Backup-Archive Client</i>	SH26-4099
<i>Tivoli Storage Manager for Netware Using the Backup-Archive Client</i>	SH26-4100
<i>Tivoli Storage Manager for Windows Using the Backup-Archive Client</i>	SH26-4101
<i>Tivoli Storage Manager Installing the Clients</i>	SH26-4102
<i>Tivoli Storage Manager Quick Reference for the Backup-Archive Clients</i>	SX26-6021
<i>Tivoli Storage Manager Trace Facility Guide</i>	SH26-4104
<i>Tivoli Storage Manager Using the Application Program Interface</i>	SH26-4107

Publication Title	Order Number
<i>Tivoli Storage Manager AFS/DFS Backup Clients</i>	SH26-4106

The following table list Tivoli Data Protection publications.

Publication Title	Order Number
<i>Tivoli Data Protection for Informix Installation and User's Guide</i>	SH26-4095
<i>Tivoli Data Protection for Lotus Domino, S/390 Edition Licensed Program Specifications</i>	GC26-7305
<i>Tivoli Data Protection for Lotus Domino, S/390 Edition Memo to Licensees</i>	GH26-4094
<i>Program Directory for Tivoli Data Protection for Lotus Domino, S/390 Edition</i>	GI10-4519
<i>Tivoli Data Protection for Lotus Domino for UNIX Installation and User's Guide</i>	SH26-4088
<i>Tivoli Data Protection for Lotus Domino for Windows NT Installation</i>	GC26-7320
<i>Tivoli Data Protection for Lotus Notes on AIX Installation and User's Guide</i>	SH26-4067
<i>Tivoli Data Protection for Lotus Notes on Windows NT Installation and User's Guide</i>	SH26-4065
<i>Tivoli Data Protection for Microsoft Exchange Server Installation and User's Guide</i>	SH26-4110
<i>Tivoli Data Protection for Microsoft SQL Server Installation and User's Guide</i>	SH26-4111
<i>Tivoli Data Protection for Oracle for UNIX Installation and User's Guide</i>	SH26-4112
<i>Tivoli Data Protection for Oracle for Windows NT Installation and User's Guide</i>	SH26-4113
<i>Tivoli Data Protection for SAP R/3 Version 2.4 Installation and User's Guide</i>	SH26-4109
<i>Tivoli Data Protection for SAP R/3 Version 2.7 Installation and User's Guide</i>	SC33-6388

Publication Title	Order Number
<i>Tivoli Data Protection for Workgroups for Windows NT User's Guide</i>	GC35-0359
<i>Tivoli Data Protection for Workgroups for NetWare User's Guide</i>	GC32-0444

Related AS/400 System Publications

The following table lists related AS/400 publications.

Publication Title	Order Number
<i>OS/400 CL Reference</i>	SC41-3722
<i>AS/400 Local Device Configuration</i>	SC41-3121
<i>AS/400 Publications Reference</i>	SC41-3003
<i>AS/400 Automated Tape Library Planning and Management</i>	SC41-3309
<i>OS/400 Work Management</i>	SC41-3306
<i>Backup Recovery and Media Services for OS/400</i>	SC41-3345
<i>OS/400 Backup and Recovery – Basic</i>	SC41-3304
<i>OS/400 Backup and Recovery – Advanced</i>	SC41-3305
<i>OS/400 Communications Configuration</i>	SC41-3401
<i>OS/400 Remote Work Station Support</i>	SC41-3402

Referenced MVS System Publications

The following table list referenced MVS publications.

Publication Title	Order Number
<i>RACF Security Administrator's Guide</i>	SC28-1340
<i>DFSMS/MVS DFSMSrmm Implementation and Customization Guide</i>	SC26-4932
<i>DFSMS/MVS DFSMSrmm Guide and Reference</i>	SC26-4931

Related IBM[®] Hardware Products Publications

The following table lists related IBM hardware products publications.

Title	Order Number
<i>IBM 3490 Magnetic Tape Subsystem Enhanced Capability Models E01 and E11 User's Guide</i>	GA32-0298
<i>IBM SCSI Tape Drive, Medium Changer, and Library Device Drivers: Installation and User's Guide</i>	GC35-0154
<i>IBM 3494 Tape Library Dataserver Operator's Guide</i>	GA32-0280
<i>IBM Magstar 3590 Tape Subsystem Operator's Guide</i>	GA32-0330
<i>IBM 3495 Tape Library Dataserver Models L20, L30, L40, and L50 Operator's Guide</i>	GA32-0235
<i>IBM 3570 Magstar MP Tape Subsystem Operator's Guide</i>	GA32-0345

IBM International Technical Support Center Publications (Redbooks)

The International Technical Support Center (ITSC) publishes redbooks, which are books on specialized topics such as using TSM to back up databases. You can order publications through your IBM representative or the IBM branch office serving your locality. You can also search for and order books of interest to you by visiting the IBM Redbooks home page on the World Wide Web at this address:

<http://www.redbooks.ibm.com/redbooks>

Referenced Publications

The following table lists other publications referenced in this manual:

Title	Order Number
MVS/ESA Programming: Authorized Assembler Services Guide	GC28-1467

Title	Order Number
IBM 3494 Tape Library Dataserver User's Guide: Media Library Device Driver for AS/400	GC35-0153
MVS/DFP V3R3 Macro Instructions for Data Sets	SC26-4747
IBM Local Area Network Technical Reference	SC30-3383
LAN Technical Reference IEEE 802.2 & NETBIOS APIs	SC30-3587
AS/400 System API Reference	SC41-3801

Software Developer's Program

The IBM Storage Systems Division (SSD) Software Developer's Program provides a range of services to software developers who want to use the TSM application program interface (API). Information about the SSD Software Developer's Program is available in the SSD Software Developer's Program Information Package.

To obtain the Software Developer's Program Information Package:

1. Call 800-4-IBM-SSD (800-442-6773). Outside the U.S.A., call 408-256-0000.
2. Listen for the Storage Systems Division Software Developer's Program prompt.
3. Request the Software Developer's Program Information Package.

Tivoli Storage Manager Web site

All TSM publications are available on the TSM home page on the World Wide Web at the following address:

http://www.tivoli.com/support/storage_mgr/tivolimain.html

By accessing the TSM home page, you can access subjects that interest you. You can also keep up-to-date with the newest TSM product information.

Do You Have Comments or Suggestions?

Your feedback is important in helping to provide the most accurate and high-quality information. If you have comments or suggestions for improving this publication, you can send us comments electronically by using these addresses:

- Internet: starpubs@us.ibm.com
- Fax from U.S. and Canada: 520 799-2906
- Fax from other countries: (1) 520 799-2906

You can also mail your comments to:

International Business Machines Corporation
Information Development, Department 61C
9000 South Rita Road
Tucson, Arizona 85744-0001, U.S.A.

When you send information to IBM, you grant IBM a nonexclusive right to use or distribute the information in any way it believes appropriate without incurring any obligation to you.

Translations

Selected TSM publications have been translated into languages other than American English. Contact your service representative for more information about the translated publications and whether these translations are available in your country.

Summary of Changes for Tivoli Storage Manager

This section summarizes changes made to the Tivoli Storage Manager product and this publication. Refer to the *Tivoli Storage Manager Administrator's Guide* and the *Tivoli Storage Manager Administrator's Reference* for details.

Changes for Version 3 Release 7–April 2000

Refer to the *Tivoli Storage Manager Administrator's Guide* and the *Tivoli Storage Manager Quick Start* for a summary of additional changes to the current version of the product.

For the latest information on requirements and compatibility among products, see this URL:

http://www.tivoli.com/support/storage_mgr/tivolimain.html

Product Repackaging Changes–September 1999

The ADSTAR[®] Distributed Storage Manager product and its features are now part of the Tivoli Storage Management product set. The table below shows the most important name changes. The transition of the entire product set to the new names may not be complete at the time of publishing, and as a result the terms *ADSM* and *ADSTAR Distributed Storage Manager* may still appear. For the latest information on requirements and compatibility among products, see this URL: http://www.tivoli.com/support/storage_mgr/tivolimain.html

Table 1. Product Name Changes

Former name	Current name	Notes
ADSTAR Distributed Storage Manager (ADSM)	Tivoli Storage Manager (TSM)	Base product now includes some functions that were purchased features for ADSM.

Table 1. Product Name Changes (continued)

Former name	Current name	Notes
Hierarchical Storage Management (HSM) client	Tivoli Space Manager (also referred to as space manager client or HSM client)	Formerly required purchase of a feature; now a separate product with Tivoli Storage Manager as the prerequisite.
Disaster Recovery Manager (DRM)	Tivoli Disaster Recovery Manager (DRM)	Formerly required purchase of a feature; now a separate product with Tivoli Storage Manager as the prerequisite.
ADSMConnect Agents	Tivoli Data Protection for applications (also referred to as application clients)	Formerly required purchase of a feature; now a separate product with Tivoli Storage Manager as the prerequisite.

Changes for Version 3 Release 7–September 1999

The following changes have been made for this edition:

Creation of portable backup sets for clients

The server can create portable backup sets for clients that are at the latest level of Tivoli Storage Manager. The function consolidates a client's active backup files onto portable media that may be directly readable by the client's system for restore operations.

Logical volume backup for clients

Backup-archive clients can now back up logical volumes to the Tivoli Storage Manager server.

Performance enhancements

Performance enhancements include the following:

Automatic tuning of selected server options

Selected server options can be tuned automatically by the server.

Database, recovery log, and all storage pool volumes

TSM can specify a size from 0 to 64MB for VSAM I/O pages to allow a faster throughput of data for operations involving the database, the recovery log, and all storage pool volumes.

Database page shadowing

Database page shadowing mirrors every write to a database page so that the server can recover pages that have been partially written to should an outage occur that affects both mirrored volumes. Combined with the `MIRRORREAD` and `MIRRORWRITE` server options for the database and recovery log, you can specify your preferred level of protection, recoverability and performance.

Database load and audit enhancements

A new utility has been added to recover the contents of the database when the server is offline.

Database snapshot

You now have the choice of making a database snapshot, which is a full database backup to media that can be taken off-site. The database snapshot does not interrupt any database backup series and cannot have incremental database backups associated with it.

Device support

Enhancements to device support include:

- Control of tape drive cleaning
- Bulk tape check-in and check-out
- IBM 3494 Tape Library Dataserver
- Support for devices on a storage area network (SAN)
- IBM 3570 and 3575
- Removable media device type

Proxy Web services

See *Quick Start* for details.

Password expiration controls

You can reset the password expiration period for all or selected users.

Licensing changes

Some features that formerly required the purchase of licenses are now part of the base Tivoli Storage Manager product.

Changes for Version 3–January 1999

The section on client messages has been reorganized. The following changes have been made for this edition:

Client Common Messages (1000–1999)

Various command-line client messages were moved from the client common messages to a new client message chapter titled *Command-Line Client Messages*

Command-Line Client Messages (1053–3999)

This is a new chapter.

Enterprise Management (2500–2999)

This is a new chapter.

ADSMConnect Agent Messages

This is a new section and includes the following chapters:

- ADSMConnect Agent for Lotus® Notes™ (0900–0999)
- ADSMConnect Agent for Microsoft® SQL Server (0301–5203) The messages begin with prefix **ACO**.
- ADSMConnect Agent for Oracle Backup (0410–0419)

Changes for Version 3–September 1998

The following changes have been made for this edition:

Enterprise Administration

You can manage a network of servers in a consistent way from a single, web browser-based administrative interface.

You can set up one server as the configuration manager that distributes configuration information (such as policy) to

managed servers. In the network of servers you can route commands to one or more servers.

Enterprise event logging and monitoring

You can log events from other servers and clients to a specific ADSM server.

Enterprise console

The enterprise console is a web browser-based interface from which you can access ADSM server functions. When you log on to a configuration manager via the web interface, you access the enterprise console. The enterprise console can give the administrator a complete view of the ADSM installations in an enterprise. To use the web interface, you must have a browser with support installed for Java[®] 1.1. See *ADSM Quick Start* for more information.

Enterprise logon

From the administrative web interface, you can log on to an ADSM server once, and work with multiple servers to which you have administrative authority without having to log on again.

ADSM server scripts

You can create and store server scripts in the ADSM database. Scripts can contain ADSM administrative commands and can include conditional statements that evaluate the results of earlier commands in the script before proceeding. Scripts can be distributed to other servers and can be scheduled to run with the DEFINE SCHEDULE command.

Database and recovery log automation

You can set up triggers that automate increasing the size of the database or recovery log based on utilization levels.

Storage pool migration by age

You can set a minimum age for data before the server can migrate the data from a storage pool.

Disaster Recovery Manager plan file

You can store the recovery plan file on another server to which your server has access via server-to-server communication.

Changes for Version 3–March 1998

The following changes have been made for this edition:

Event logging and monitoring

You can set up Simple Network Management Protocol (SNMP) as a heartbeat monitor and as a receiver for TSM event logging.

Device support

Device support has been enhanced to allow TSM to use the following devices:

- StorageTek SD-3 and 9490 tape drives. For these devices, use the device type of ECARTRIDGE.
- Tape libraries that are controlled by StorageTek Automated Cartridge System Library Software (ACSLs).

Changes for Version 3–October 1997

The new functions of TSM Version 3 are:

Event logging and monitoring

You can set up event logging of ADSM client and server events. See *ADSM Administrator's Guide* and *ADSM Administrator's Reference* for details.

SQL queries of the ADSM database

You can use SQL queries to get information about the ADSM server and clients. See *ADSM Administrator's Guide* and *ADSM Administrator's Reference* for details.

Storing data on another ADSM server

You can store data for one ADSM server (a source server) on another ADSM server (a target server). Using another ADSM server is especially useful for storing backups of the

ADSM database and ADSM storage pools. See *ADSM Administrator's Guide* and *ADSM Administrator's Reference* for details.

Server file aggregation

ADSM allows small client files to be combined and stored as larger aggregated files. Aggregation can improve performance and reduce database overhead. See *ADSM Administrator's Guide* for details.

Device support

See *ADSM Administrator's Guide* and *ADSM Administrator's Reference* for details on the following enhancements.

■ AIX

Device support has been enhanced to allow ADSM to use the following devices:

- IBM 3570 tape devices.
- Optical devices that use 12-inch and 14-inch write-once optical cartridges.
- DTF tape devices.
- Tape devices that are supported by AIX device drivers (instead of ADSM device drivers). These devices have the device type of GENERICTAPE.

A LABEL LIBVOLUME command allows you to label and check in volumes to an automated library in one step.

■ Windows NT

Device support has been enhanced to allow ADSM to use the following devices:

- IBM 3570 tape devices
- Optical devices that use 5.25-inch rewritable optical cartridges and 5.25-inch write-once optical cartridges
- DTF tape devices

A LABEL LIBVOLUME command allows you to label and check in volumes to an automated library in one step.

■ MVS

Device support has been enhanced to allow ADSM to use IBM 3590 tape devices.

■ HP-UX

Device support has been enhanced to allow ADSM to use the following devices:

- IBM 3590 tape devices
- IBM 3494 automated tape library

A LABEL LIBVOLUME command allows you to label and check in volumes to an automated library in one step.

■ Sun Solaris

Device class types now include support for IBM 3570 and 3590 tape drives, quarter-inch cartridge (QIC) tape drives, digital linear tape (DLT) drives and libraries, and rewritable optical drives.

A LABEL LIBVOLUME command allows you to label and check in volumes to an automated library in one step.

Administrative client web interface

You can access ADSM server functions from any workstation with a web browser that supports HTML 2.0 or higher. The workstation does not need to have an administrative client installed. See *ADSM Quick Start* for details.

Immediate processing of commands on a client

You can use an ADSM administrative command to run operations immediately on a client workstation. See *ADSM Administrator's Guide* and *ADSM Administrator's Reference* for details.

Point-in-time restoration of client files

Clients can restore files to a specific point in time if incremental backups have been performed and policy is set up appropriately. See *ADSM Administrator's Guide* and *ADSM Administrator's Reference* for details.

Restarting client restoration sessions

Clients can restart restore sessions that have been interrupted. Administrators can request information about these sessions and cancel them. See *ADSM Administrator's Guide* and *ADSM Administrator's Reference* for details.

Defining client options at the server

You can define sets of client options at the server, and assign a set to a client when registering the client. See *ADSM Administrator's Guide* and *ADSM Administrator's Reference* for details.

Changing server options without stopping the server

You can change some server options and have the changes take effect without stopping and starting the server. See *ADSM Administrator's Guide* and *ADSM Administrator's Reference* for details.

I—Introduction

1

Introduction

Tivoli Storage Manager (TSM) is an enterprise-wide storage management application for the network. It provides automated storage management services to multivendor workstations, personal computers, and local area network (LAN) file servers. TSM includes the following components:

Server

Allows a server system to provide backup, archive, and space management services to workstations. The server maintains a database and recovery log for TSM resources, users, and user data.

The server controls the TSM server's storage, called storage pools. These are groups of random and sequential access media that store backed up, archived, and space-managed files.

You can set up multiple servers in your enterprise network to balance storage, processor, and network resources. TSM allows you to manage and control multiple servers from a single interface that runs in a web browser (the enterprise console).

Administrative client

Allows administrators to control and monitor server activities, define management policies for client files, and set up schedules to provide services at regular intervals. Administrative functions are available from an administrative client command line and from a web browser interface.

Backup-archive client

Allows users to maintain backup versions of their files, which they can restore if the original files are lost or damaged. Users can also archive files for long-term storage and retrieve the archived files when necessary. Users or administrators can register workstations and file servers as client nodes with an TSM server.

Hierarchical storage management (HSM) client

Provides space management services for workstations on some platforms. TSM users can free workstation storage by migrating less frequently used files to server storage. These migrated files are also called *space-managed files*. Users can recall space-managed files automatically simply by accessing them as they normally would.

Application programming interface (API)

Allows users to enhance existing applications with backup, archive, restore, and retrieve services. When users install the TSM API client on their workstations, they can register as client nodes with an TSM server.

This chapter contains information to help you understand the messages issued by the Tivoli Storage Manager (TSM):

- Server program
- Administrative client graphical user interface
- Administrative command line client
- Backup-archive client
- Space-management client

Messages can appear on the server console, the administrative client, an operator terminal, the administrative graphical user interface, the backup-archive client, or the space-management client.

TSM provides an activity log to help the administrator track server activity and monitor the system.

The activity log contains messages generated by the server and is stored in the database. To access the activity log from the administrative graphical user interface, select the SERVER icon. The

server automatically deletes messages from the activity log after they have passed the specified retention period. Any messages sent to the server console are stored in the activity log. Examples of the types of messages stored in the activity log include:

- When client sessions start or end
- When migration starts or ends
- When backed up files are expired from data storage
- Any output generated from background processes

Understanding Messages

The following examples illustrate the format used in this publication to describe TSM messages:

Messages that begin with prefix **ANE** and are in range 4000–4999 originate from the backup-archive client. These messages (or events) are sent to the server for distribution to various event logging receivers.

The client may send statistics to the server providing information about a backup or restore. These statistics are informational messages that may be enabled or disabled to the various event logging receivers. These messages are not published in this manual.

Messages that begin with prefix **ANR** originate from the server.

Messages that begin with prefix **ANS** originate from the backup-archive or space management clients.

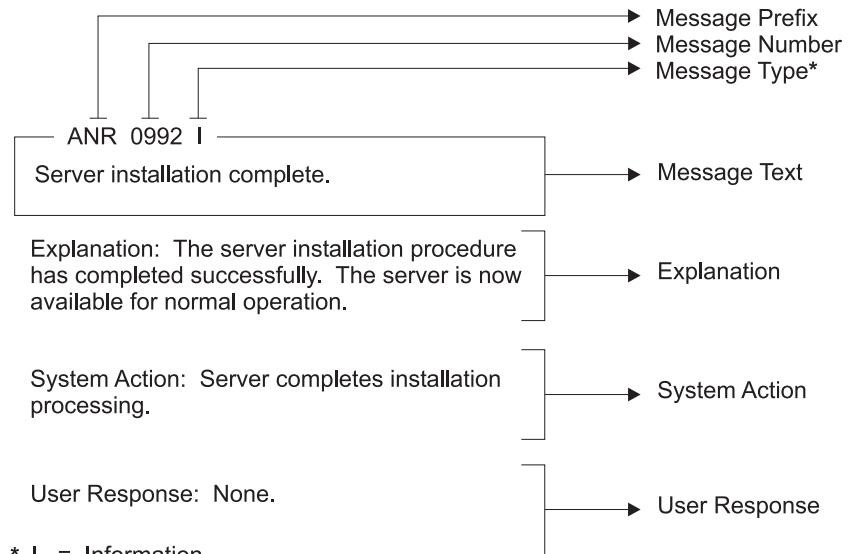
ANS messages that are in range 5000–5999 and 8000–8999 originate from the administrative client.

Messages that begin with prefix **ACO** and are in range 0301–5203 originate from the administrative client. These are messages for Tivoli Data Protection Microsoft SQL Server.

Message Format

The following examples describe the TSM message format:

The callouts to the right identify each part of the format.



- * I = Information
- E = Error
- S = Server Error
- W = Warning
- K = Kernel message that originate form the space management client

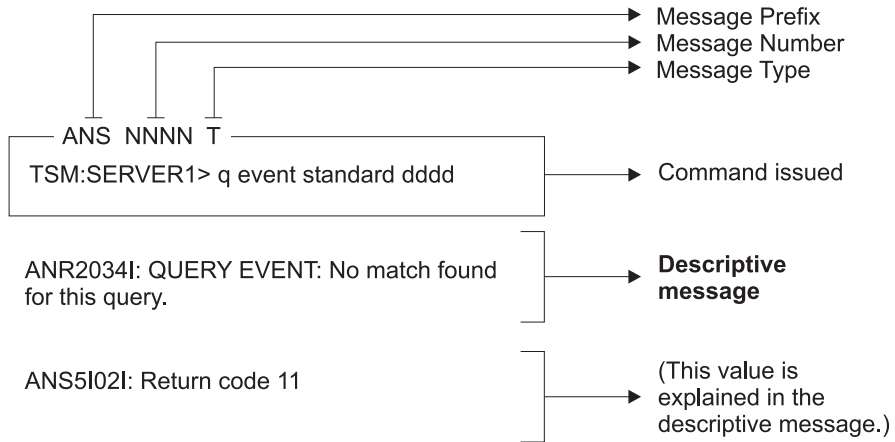
Message variables in the message text appear in italics. The server and client messages fall into the following categories:

- Common messages that pertain to all TSM server platforms
- Platform specific messages that pertain to each operating environment for the server and the client
- Messages that pertain to application clients

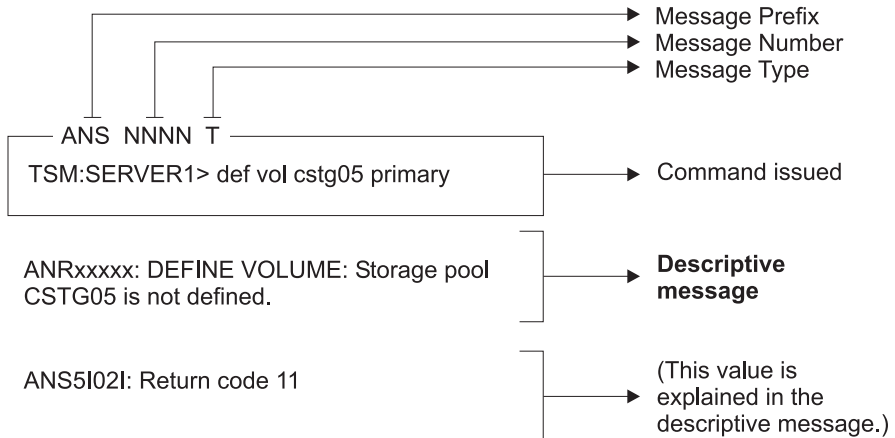
How to Read a Return Code Message

Many different commands can generate the same *return code*. The following examples are illustrations of two different commands issued that result in the same return code; therefore, you must read the *descriptive message* for the command.

Example One for QUERY EVENT Command



Example Two for DEFINE VOLUME Command



2

Obtaining Help with Tivoli Storage Manager

This section describes the following:

- How to obtain help with processing errors by using Internet and IBMLink™/ServiceLink
- How to describe errors with keywords
- How to obtain online message help
- What information to have available when you contact your service representative

Internet and IBMLink Assistance

TSM message help explanations may suggest that you contact your service representative for additional help with processing errors.

Online help is available through Internet and IBMLink/ServiceLink.

Internet

If your installation has access to the Internet, the latest server and client PTFs (maintenance updates) are available on the anonymous ftp (file transfer protocol) server. The machine name is *index.storsys.ibm.com*.

IBMLink/ServiceLink

If your installation has access to IBMLink/ServiceLink, an interactive online database program, you can:

-
- Search for an existing authorized program analysis report (APAR) that is similar to your problem.
 - Search for an available program temporary fix (PTF) for the existing APAR.
 - Order the PTF if it is available.
 - Create an Electronic Technical Response (ETR) problem report to get assistance from an TSM service representative.

Describing the Error with Keywords

When you use IBMLink/ServiceLink or call your service representative, accurately describe the problem so that the service representative may quickly help you solve the problem. Identify the processing error with a full set of keywords whenever possible. A **keyword** is a word or an abbreviation used to describe a single aspect of a program failure. Each keyword describes an aspect of a processing error.

The following example displays the necessary set of keywords:

56480200n R312 type command function

Where	Represents
56480200n	Component identification keyword
R312	Release level keyword
type	Type-of-failure keyword
command	Command keyword
function	Function keyword

Component Identification Keyword

The component identifiers for TSM are listed below:

Server Platform	Component ID
DRM	5697-DRM
AIX	5697-TSM
AS/400	5697-TSM
HP-UX	5697-TSM
Sun Solaris	5697-TSM

Server Platform	Component ID
Windows NT	5697-TSM
MVS and OS/390	5697-TSO
DRM for MVS and OS/390	5697-DRO

Type-of-Failure Keyword

The following keywords identify the type of failure that may occur:

Keyword	Description
ABENDxxx	Use this keyword when the system ends abnormally.
INCORROUT	Use this keyword when incorrect output is received or expected output is missing.
LOOP	Use this keyword if a part of the program code runs endlessly; include situations in which a part of the output repeats continuously.
MSGANRnnnnt (or) MSGANSnnnnt	Use this keyword when a message: <ul style="list-style-type: none"> ■ Indicates an internal program error ■ Is issued in a set of conditions that should not cause it to be issued ■ Contains invalid or missing data <p>See “Understanding Messages” on page 5 for a description of the message format.</p>
WAIT	Use this keyword when you receive no response within a reasonable time that can be perceived as poor response or poor performance.
xxxxxxxxxx (Documentation)	Use this keyword when a programming problem appears to be caused by incorrect, missing, or ambiguous information in one of the TSM publications. Enter the order number of the publication in place of xxxxxxxxxxxx. Include the letter prefix and version number, but omit all hyphens, for example, GC35038200. Refer to “Tivoli Storage Manager Publications” on page x for a list of the TSM publications.
PERFM	Use this keyword as a closing code for an APAR.

Command Keyword

Build keywords based on TSM commands. Refer to *Administrator's Reference* for a list of the commands.

Function Keyword

Use keywords that refer to basic TSM functions such as backup, retrieve, archive, recover, migrate, and export-import.

Obtaining Online HELP (Get Help on Error Messages)

Use the HELP command on the server console or administrative command line client to display information about server and administrative command line client messages. Use the HELP command on the backup-archive client to display information about backup-archive client messages.

The Help *error message number* command displays the help text specific to the error message. You can get help information on server messages (prefixed by ANR), and administrative command line and backup-archive client messages (prefixed by ANS or ANE) except those specific to the administrative graphical user interface client.

Contacting Your Service Representative

When you contact your service representative after the proper diagnostic procedures have been followed and user specifications have been checked for accuracy, you should have on hand the information listed in “Checklist for Contacting your Service Representative” on page 1407.

Running Trace Commands

Your service representative may request that you run trace commands to perform diagnostic functions. The output from the trace commands is classified as Diagnosis, Modification, and Tuning Information.

Messages That Do Not Appear in This Publication

See “Messages Not Appearing in This Publication” on page vii for information about messages that appear online but are not documented in this publication.

II—Server Messages: Common and Platform Specific (ANR); Client Events Logged to Server (ANE)

3

Common and Platform Specific Messages (ANR0100–ANR9999)

This chapter contains the common and platform-specific server messages. The organization of the messages are grouped by the message prefix ANR and documented in ascending numeric order. If a message is platform specific and a duplicate, the appropriate platform name is added after the message number and it is also documented alphabetically by platform name.

ANR0100E

Source file(line number): Error error code creating table "table name".

Explanation: An internal error has occurred in an attempt to create a server database table. This message always accompanies another error message and provides more detail about that error.

System Action: The activity that generated this error fails.

User Response: Contact your service representative.

ANR0101E

Source file(line number): Error error code opening table "table name".

Explanation: An internal error has occurred in an attempt to access a server database table. This message always accompanies another error message and provides more detail about that error.

System Action: The activity that generated this error fails.

User Response: Contact your service representative.

ANR0102E *Source file(line number): Error error code inserting row in table "table name".*

Explanation: An internal error has occurred in an attempt to add data to a server database table. This message always accompanies another error message and provides more detail about that error.

System Action: The activity that generated this error fails.

User Response: Contact your service representative.

ANR0103E *Source file(line number): Error error code updating row in table "table name".*

Explanation: An internal error has occurred in an attempt to update data in a server database table. This message always accompanies another error message and provides more detail about that error.

System Action: The activity that generated this error fails.

User Response: Contact your service representative.

ANR0104E *Source file(line number): Error error code deleting row from table "table name".*

Explanation: An internal error has occurred in an attempt to remove data from a server database table. This message always accompanies another error message and provides more detail about that error.

System Action: The activity that generated this error fails.

User Response: Contact your service representative.

ANR0105E *Source file(line number): Error setting search bounds for table "table name".*

Explanation: An internal error has occurred in an attempt to access data in a server database table. This message always accompanies another error message and provides more detail about that error.

System Action: The activity that generated this error fails.

User Response: Contact your service representative.

ANR0106E *Source file(line number): Unexpected error error code fetching row in table "table name".*

Explanation: An internal error has occurred in an attempt to access data in a server database table. This message always accompanies another error message and provides more detail about that error.

System Action: The activity that generated this error fails.

User Response: Contact your service representative.

ANR0107W *Source file(line number):* **Transaction transaction ID was not committed due to an internal error.**

Explanation: An internal error was detected during transaction commit. This message should be preceded by another error message which provides more detail about that error.

System Action: The activity that generated this error fails.

User Response: Contact your service representative.

ANR0108E *Source file(line number):* **could not start a new transaction.**

Explanation: An error occurred while attempting to start a new transaction. Possibly there is not enough memory.

System Action: The activity that generated this error fails.

User Response: Allocate additional storage to the server. For details, issue HELP MEMORY to display the information online or see “Appendix A. Allocating Additional Server Memory”.

ANR0110E **An unexpected system date has been detected; the server is disabled. Use the ACCEPT DATE command to establish the current date as valid.**

Explanation: The server has noted that the current system date is suspect. It is earlier than the server install date or has suddenly moved into the future by 30 days or more.

System Action: The server is disabled for client access. Server expiration will not execute.

User Response: If the current system date is not valid, reset the date. Use the ACCEPT DATE command to establish the current date as valid on the server. After executing this command, you can use the ENABLE SESSIONS command to enable the server for client sessions.

ANR0130E *DiagnosticID:* **Server LOG space exhausted.**

Explanation: There is no space to write data to the server recovery log.

System Action: The activity that generated this error fails.

User Response: To increase the amount of log space available to the server, an authorized administrator can add log volumes by using the DEFINE LOGVOLUME command, and extend the size of the log by using the EXTEND LOG command.

ANR0131E *DiagnosticID: Server DB space exhausted.*

Explanation: There is no space to write data to the server database.

System Action: The activity that generated this error fails.

User Response: To increase the amount of database space available to the server, an authorized administrator can add database volumes by using the DEFINE DBVOLUME command, and extend the size of the database by using the EXTEND DB command.

ANR0132E *DiagnosticID: Memory allocation failed: object object name, size size.*

Explanation: The server cannot obtain enough memory to create the object named.

System Action: The activity that generated this error fails.

User Response: Allocate additional storage to the server. For details, issue HELP MEMORY to display the information online or see “Appendix A. Allocating Additional Server Memory”.

ANR0200I **Recovery log assigned capacity is *size* megabytes.**

Explanation: The amount of space allocated to the recovery log is shown.

System Action: None.

User Response: None.

ANR0201I **Database assigned capacity is *size* megabytes.**

Explanation: The amount of space allocated to the database is shown.

System Action: None.

User Response: None.

ANR0202W **Database volume *volume name* varied offline due to excessive read errors.**

Explanation: The database volume shown has been varied offline because too many read errors have been encountered.

System Action: If available, a mirrored copy of the volume is used.

User Response: Correct the cause of the read errors.

ANR0203W	Database volume <i>volume name</i> varied offline due to excessive write errors. Explanation: The database volume shown has been varied offline because too many write errors have been encountered. System Action: If available, a mirrored copy of the volume is used. User Response: Correct the cause of the write errors.
ANR0204W	Recovery log volume <i>volume name</i> varied offline due to excessive read errors. Explanation: The recovery log volume shown has been varied offline because too many read errors have been encountered. System Action: If available, a mirrored copy of the volume is used. User Response: Correct the cause of the read errors.
ANR0205W	Recovery log volume <i>volume name</i> varied offline due to excessive write errors. Explanation: The recovery log volume shown has been varied offline because too many write errors have been encountered. System Action: If available, a mirrored copy of the volume is used. User Response: Correct the cause of the write errors.
ANR0206W	Partial write detected on database volume <i>volume name</i>, logical page <i>logical page number</i> (physical page <i>physical page number</i>). Explanation: During a write of a database page, an error occurred so that the page was not completely written to disk. System Action: The failed I/O operation is retried on a mirrored volume. User Response: See accompanying messages for information about the volume in error.
ANR0207E	Page address mismatch detected on database volume <i>volume name</i>, logical page <i>logical page number</i> (physical page <i>physical page number</i>); actual: <i>logical page number</i>. Explanation: During a read of a database page, the page does not contain the expected page address. System Action: The failed I/O operation is retried on a mirrored volume. User Response: See accompanying messages for information about the volume in error.

ANR0208W **Partial write detected on recovery log volume** *volume name*, **logical page** *logical page number* (**physical page** *physical page number*).

Explanation: During a write of a recovery log page, an error occurs so that the page is not completely written to disk.

System Action: The failed I/O operation is retried on a mirrored volume.

User Response: See accompanying messages for information about the volume in error.

ANR0209E **Page address mismatch detected on recovery log volume** *volume name*, **logical page** *logical page number* (**physical page** *physical page number*); **actual:** *logical page number*.

Explanation: During a read of a recovery log page, the page does not contain the expected page address.

System Action: The failed I/O operation is retried on a mirrored volume.

User Response: See accompanying messages for information about the volume in error.

ANR0210S **Inconsistency found in LVM data page** *page number* - **partial write detected.**

Explanation: During a write of an LVM internal page, an error occurs so that the page is not completely written to disk.

System Action: The failed I/O operation is retried on a mirrored volume.

User Response: See accompanying messages for information about the volume in error.

ANR0211S **Inconsistency found in LVM data page** *page number* - **page address mismatch** (**actual** *page number*).

Explanation: During a read of an LVM internal page, the page does not contain the expected page address.

System Action: The failed I/O operation is retried on a mirrored volume.

User Response: See accompanying messages for information about the volume in error.

ANR0212E **Unable to read disk definition file** *file specification*.

Explanation: At startup, the server cannot read the indicated file in order to obtain a list of disk volumes to mount.

System Action: Server initialization fails.

User Response: Use a text editor to recreate the file; it should contain one line with the name of a single log or database volume. Then restart the server.

ANR0213W

Unable to rewrite disk definition file.

Explanation: An error occurs trying to update the disk definition file.

System Action: None.

User Response: Attempt to determine the cause of the write error and correct it.

ANR0214W

Database volume *volume name* is in the offline state - VARY ON required.

Explanation: At system startup, the server finds that the specified database volume is in the offline state.

System Action: The volume is not accessed.

User Response: Determine the reason for the volume being offline; if possible, vary it online.

ANR0215W

Recovery log volume *volume name* is in the offline state - VARY ON required.

Explanation: At system startup, the server finds that the recovery log volume shown is in the offline state.

System Action: The volume is not accessed.

User Response: Determine the reason for the volume being offline; if possible, vary it online.

ANR0216I

Database volume *volume name* is in the "stale" state - synchronization process started.

Explanation: At system startup, the server finds that the database volume shown is not synchronized.

System Action: A process is started to synchronize the volume.

User Response: None.

ANR0217I

Recovery log volume *volume name* is in the "stale" state - synchronization process started.

Explanation: At system startup, the server finds that the recovery log volume shown is not synchronized.

System Action: A process is started to synchronize the volume.

User Response: None.

ANR0218I **Unable to install database volume *volume name* - capacity must be at least 5 megabytes.**

Explanation: An attempt has been made to add a database volume that is smaller than the server minimum.

System Action: The volume is not added.

User Response: Increase the size of the volume or supply another larger volume.

ANR0219I **Unable to install recovery log volume *volume name* - capacity must be at least 5 megabytes.**

Explanation: An attempt has been made to add a recovery log volume that is smaller than the server minimum.

System Action: The volume is not added.

User Response: Increase the size of the volume or supply another larger volume.

ANR0220I **Synchronization of database volume *volume name* started as process *process ID*.**

Explanation: A background process was started to synchronize the contents of the database volume shown with its copy volume. The background process was assigned the process ID shown.

System Action: The background process starts to synchronize the volume and server operation continues.

User Response: The administrator may query the status of the background process by using the QUERY PROCESS command, or cancel the process by using the CANCEL PROCESS command.

ANR0221I **Synchronization of recovery log volume *volume name* started as process *process ID*.**

Explanation: A background process was started to synchronize the contents of the recovery log volume shown with its copy volume(s). The background process was assigned the process ID shown.

System Action: The background process starts to synchronize the volume and server operation continues.

User Response: The administrator may query the status of the background process by using the QUERY PROCESS command, or cancel the process by using the CANCEL PROCESS command.

ANR0222E **Error** *action* **disk definition file** *file specification*.

Explanation: An error occurred creating or changing the disk definition file.

System Action: None.

User Response: Attempt to determine the cause of the write error and correct it.

ANR0223E **Error writing list of disks to disk definition file.**

Explanation: The disk definition file cannot be written.

System Action: Installation ends.

User Response: Determine the cause of the write error and correct it.

ANR0224E **Volume** *volume name* **is specified more than once - server installation failed.**

Explanation: The specified volume name was specified more than once in the server installation execution.

System Action: Installation ends.

User Response: Reinitialize the server install specifying a unique name for each database and recovery log volume.

ANR0230E **Synchronization process failed for database volume** *volume name*.

Explanation: The process that was attempting to synchronize the database volume shown has failed.

System Action: The volume is in the stale state.

User Response: See accompanying messages for more information.

ANR0231E **Synchronization process failed for recovery log volume** *volume name*.

Explanation: The process that was attempting to synchronize the recovery log volume shown has failed.

System Action: The volume is in the stale state.

User Response: See accompanying messages for more information.

ANR0232I **Synchronization process canceled for database volume** *volume name*.

Explanation: The process that was attempting to synchronize the database volume shown has been canceled.

System Action: The volume is in the stale state.

User Response: If desired, issue a VARY ONLINE command to start another synchronize process.

ANR0233I **Synchronization process canceled for recovery log volume** *volume name*.

Explanation: The process that was attempting to synchronize the database volume shown has been canceled.

System Action: The volume is in the stale state.

User Response: If desired, issue a VARY ONLINE command to start another synchronize process.

ANR0234I **Synchronization complete for database volume** *volume name*.

Explanation: The synchronization process for the database volume named has finished successfully.

System Action: The volume is varied online.

User Response: None.

ANR0235I **Synchronization complete for recovery log volume** *volume name*.

Explanation: The synchronization process for the recovery log volume named has finished successfully.

System Action: The volume is varied online.

User Response: None.

ANR0240E **Deletion process failed for database volume** *volume name*.

Explanation: The process that was attempting to delete the database volume shown has failed.

System Action: The volume is not deleted.

User Response: See accompanying messages for more information.

ANR0241E **Deletion process failed for recovery log volume** *volume name*.

Explanation: The process that was attempting to delete the recovery log volume shown has failed.

System Action: The volume is not deleted.

User Response: See accompanying messages for more information.

ANR0242I	Deletion process canceled for database volume <i>volume name</i> . Explanation: The process that was attempting to delete the database volume shown has been canceled. System Action: The volume is not deleted. User Response: None.
ANR0243I	Deletion process canceled for recovery log volume <i>volume name</i> . Explanation: The process that was attempting to delete the recovery log volume shown has been canceled. System Action: The volume is not deleted. User Response: None.
ANR0244I	Deletion complete for database volume <i>volume name</i> . Explanation: The delete process for the database volume named has finished successfully. System Action: The volume is deleted. User Response: None.
ANR0245I	Deletion complete for recovery log volume <i>volume name</i> . Explanation: The delete process for the recovery log volume named has finished successfully. System Action: The volume is deleted. User Response: None.
ANR0246E	Error reading logical page <i>logical page number</i> (physical page <i>physical page number</i>) from database volume <i>volume name</i> . Explanation: An error has been encountered when attempting to read a page from the specified database volume. System Action: The failed I/O operation is retried on a mirrored volume, if available. User Response: See accompanying messages for information about the volume in error. If the error persists and another mirrored copy of the volume is available, the failing volume should be taken offline by using the VARY OFF command, and repaired. Otherwise, halt the server and repair the volume. Then restart the server.

ANR0247I **Database page *logical page number* successfully read from an alternate copy on volume *volume name*.**

Explanation: After a read error, the server is able to read the desired page from another synchronized mirrored volume.

System Action: Processing continues.

User Response: None.

ANR0248E **Unable to read database page *logical page number* from any alternate copy.**

Explanation: After a read error, the server is unable to read the desired page from another mirrored volume because no other mirrored volume is in the synchronized state. This message is normally preceded by a message indicating which volume failed.

System Action: Processing is ended.

User Response: You can repair the failed volume by halting the server and correcting the volume errors.

ANR0249E **Error reading logical page *logical page number* (*physical page *physical page number**) from recovery log volume *volume name*.**

Explanation: An error has been encountered when attempting to read a page from the specified recovery log volume.

System Action: The failed I/O operation is retried on a mirrored volume, if available.

User Response: See accompanying messages for information about the volume in error. If the error persists and another mirrored copy of the volume is available, the failing volume should be taken offline, by using the VARY OFF command, and repaired.

ANR0250I **Recovery log page *logical page number* successfully read from an alternate copy on volume *volume name*.**

Explanation: After a read error, the server is able to read the desired page from another synchronized mirrored volume.

System Action: Processing continues.

User Response: None.

-
- ANR0251E** **Unable to read recovery log page** *logical page number* **from any alternate copy.**
- Explanation:** After a read error, the server is unable to read the desired page from another mirrored volume because no other mirrored volume was in the synchronized state. This message is normally preceded by a message indicating which volume failed.
- System Action:** Processing is ended.
- User Response:** You can repair the failed volume by halting the server and correcting the volume errors.
-
- ANR0252E** **Error writing logical page** *logical page number* **(physical page** *physical page number* **) to database volume** *volume name*.
- Explanation:** An error has been encountered when attempting to write a page to the specified database volume.
- System Action:** If a mirrored volume is available then the failing volume is forced into the offline state.
- User Response:** Repair the failing volume, and then use the VARY ON command to bring the volume back online.
-
- ANR0253E** **Unable to write database page** *logical page number* **to any alternate copy.**
- Explanation:** After a write error, the server is unable to write the desired page to another mirrored volume because no other mirrored volume is in the synchronized state. This message is normally preceded by a message indicating which volume failed.
- System Action:** Processing is ended.
- User Response:** Repair the failed volume.
-
- ANR0254E** **Error writing logical page** *logical page number* **(physical page** *physical page number* **) to recovery log volume** *volume name*.
- Explanation:** An error has been encountered when attempting to write a page to the specified recovery log volume.
- System Action:** If a mirrored volume is available, the failing volume is forced into the offline state.
- User Response:** Repair the failing volume, and then use the VARY ON command to bring the volume back online.
-

ANR0255E **Unable to write recovery log page** *logical page number to any alternate copy.*

Explanation: After a write error, the server is unable to write the desired page to another mirrored volume because no other mirrored volume is in the synchronized state. This message is normally preceded by a message indicating which volume failed.

System Action: Processing is ended.

User Response: You can repair the failed volume by halting the server and correcting the volume errors.

ANR0256E **Error writing physical page** *physical page number to restart/checkpoint area on database volume* *volume name.*

Explanation: An error has been encountered when attempting to write a page to the specified database volume.

System Action: If a mirrored volume is available, the failing volume is forced into the offline state.

User Response: Repair the failing volume, and then use the VARY ON command to bring the volume back online.

ANR0257E **Error writing physical page** *physical page number to restart/checkpoint area on recovery log volume* *volume name.*

Explanation: An error has been encountered when attempting to write a page to the specified database volume.

System Action: If a mirrored volume is available, the failing volume is forced into the offline state.

User Response: Repair the failing volume, and then use the VARY ON command to bring the volume back online.

ANR0258E **Unable to write complete restart/checkpoint information to disk.**

Explanation: While writing restart/checkpoint information to disk, the server encounters an error writing to a database or recovery log volume for which no synchronized mirrored copy is available. This message is normally preceded by a message indicating which volume failed.

System Action: Processing is ended.

User Response: Repair the failing volume.

ANR0259E **Unable to read complete restart/checkpoint information from any database or recovery log volume.**

Explanation: During server restart, the server is unable to read a complete set of restart/checkpoint information from any of the defined database or recovery log volumes.

System Action: Server restart is ended.

User Response: Ensure that all defined database and recovery log volumes are available for use by the server.

ANR0260I **Database page *logical page number* successfully resynchronized.**

Explanation: After detecting a partially-written database page, the server is able to rewrite the page by using a synchronized mirror copy.

System Action: Processing continues.

User Response: None.

ANR0261I **Recovery log page *logical page number* successfully resynchronized.**

Explanation: After detecting a partially-written recovery log page, the server is able to rewrite the page by using a synchronized mirror copy.

System Action: Processing continues.

User Response: None.

ANR0265E **Log disk processing failed: sufficient memory is not available.**

Explanation: At server installation, the server is unable to process the server log disks due to insufficient memory.

System Action: Server installation stops.

User Response: Restart the server installation process with more memory available.

ANR0266E **Database disk processing failed: sufficient memory is not available.**

Explanation: At server installation, the server is unable to process the server database disks due to insufficient memory.

System Action: Server installation stops.

User Response: Restart the server installation process with more memory available.

ANR0267E	Log volume <i>volume name</i> is not available. Explanation: The specified volume cannot be found during installation. System Action: Server installation stops. User Response: Determine the reason the disk is unavailable, and correct the problem. Restart the server installation process.
ANR0268E	Database volume <i>volume name</i> is not available. Explanation: The specified volume cannot be found during installation. System Action: Server installation stops. User Response: Determine the reason the disk is unavailable, and correct the problem. Restart the server.
ANR0269E	Process for Log volume <i>volume name</i> terminated - thread resource not available. Explanation: During installation for the indicated volume, the server cannot start a thread to service I/O requests. System Action: Server installation stops. User Response: Allocate additional storage to the server. For details, issue HELP MEMORY to display the information online or see “Appendix A. Allocating Additional Server Memory”. Restart the server installation process.
ANR0270E	Process for Database volume <i>volume name</i> terminated - thread resource not available. Explanation: During installation for the indicated volume, the server cannot start a thread to service I/O requests. System Action: Server installation stops. User Response: Allocate additional storage to the server. For details, issue HELP MEMORY to display the information online or see “Appendix A. Allocating Additional Server Memory”. Restart the server installation process.
ANR0271E	Maximum number of recovery log volumes exceeded. Explanation: More recovery log volumes have been specified than the server can manage. System Action: Server installation stops.

User Response: Reduce the number of recovery log volumes specified. Restart the server installation process.

ANR0272E **Maximum number of database volumes exceeded.**

Explanation: More database volumes have been specified than the server can manage.

System Action: Server installation stops.

User Response: Reduce the number of database volumes specified. Restart the server installation process.

ANR0285I **Database page shadowing started using file *file name*.**

Explanation: The database page shadowing function was started. The file specified is used to store the shadowed database pages.

System Action: None.

User Response: None.

ANR0286W **Database page shadowing using file *file name* failed to start.**

Explanation: The database page shadowing function could not start. An error has been encountered accessing the page shadow file specified.

System Action: None.

User Response: Verify that there is enough space for the page shadow file. That page shadow file requires approximately 65 kilobytes of space, if this space is not available a new location for the file should be specified.

ANR0287W **Contents of the page shadow file *file name* are not valid.**

Explanation: The database page shadowing function could not use the contents of the existing file. Restart recovery using this file is not possible.

System Action: The server attempts to start without having the database page shadow file available.

User Response: The database page shadow file contents are not valid. This can be caused by: a partial write to the page shadow file itself, the file being manipulated by a process outside of the server, the file being overlaid by a different file, or the file could have been erased.

ANR0288W **One or more database pages in the last batch written is corrupt - contents of database page shadow file will be used to fix the page or pages.**

Explanation: One or more pages from the last batch of pages written to the server database has been detected to be corrupt. The server will attempt to use the contents of database page shadow file and replace the corrupted database page.

System Action: Server startup continues.

User Response: A corruption of a database page within the server database, is typically caused by a partial write. A partial write may occur when the server is brought down external to normal server processing. If the server terminated without a halt command being issued or if the machine the server is running on crashed unexpectedly, this may account for the partial write. Other possible causes of a partial write are a disk drive failure, improperly terminated scsi bus, or a failure in a device controller. Please try to identify the cause of the partial write and take the appropriate action to prevent this from occurring in the future.

ANR0289W **Damaged database pages were successfully replaced using contents of page shadow file.**

Explanation: The damaged database pages were replaced using the corresponding pages from the page shadow file. The pages were successfully replaced.

System Action: The server continues to restart.

User Response: None.

ANR0290W **Failure occurred attempting to replace one or more damaged database pages using the contents of the page shadow file.**

Explanation: The damaged database pages could not be replaced using the corresponding pages from the page shadow file.

System Action: The server continues to restart.

User Response: None.

ANR0291E **Error writing to db page shadow file - restart will be attempted.**

Explanation: The server encountered an error writing to the database page shadow file. The page shadowing for the server is currently disabled.

System Action: The server will attempt to restart the database page shadowing for the server once a minute until it is restarted or until the server is halted.

User Response: Check the file specified as the database page shadow file. It may be that there is not enough space for the file. If enough space is available, check the filesystem, drive, or disk that it resides on for an indication of the error. Once the

error preventing the server from writing to the page shadow file has been resolved, the server will recovery and begin writing to the page shadow file again.

ANR0292W

Database page shadow file *file name* does not exist.

Explanation: The server attempted to use the page shadow file referenced but was unable to open the file. The file does not exist.

System Action: The server will continue to operate and will attempt to create this as a new database page shadow file.

User Response: None.

ANR0300I

Recovery log format started; assigned capacity *count* megabytes.

Explanation: Initial formatting of the server recovery log has started.

System Action: The log is formatted for use by the server.

User Response: None.

ANR0301I

Recovery log format in progress; *count* megabytes of *count*.

Explanation: The amount of the server recovery log shown has been successfully formatted.

System Action: Formatting continues.

User Response: None.

ANR0302I

Recovery log formatting took *mseconds* milliseconds.

Explanation: Formatting of the recovery log has completed and took the number of milliseconds shown.

System Action: None.

User Response: None.

ANR0303I

Format rate: *rate* pages/second.

Explanation: During formatting, the formatter processed the number of pages indicated each second.

System Action: None.

User Response: None.

ANR0304I	<p>Page service time: <i>rate</i> ms.</p> <p>Explanation: During formatting, the formatter required the number of milliseconds indicated to process each page.</p> <p>System Action: None.</p> <p>User Response: None.</p>
-----------------	--

ANR0305I	<p>Recovery log format complete.</p> <p>Explanation: Formatting of the server recovery log completed successfully.</p> <p>System Action: None.</p> <p>User Response: None.</p>
-----------------	--

ANR0306I	<p>Recovery log volume mount in progress.</p> <p>Explanation: During restart, the server is mounting required recovery log volumes.</p> <p>System Action: None.</p> <p>User Response: None.</p>
-----------------	---

ANR0307I	<p>Recovery log extend in progress; <i>count</i> megabytes of <i>count</i> formatted.</p> <p>Explanation: As a result of an EXTEND LOG command, the additional recovery log pages are being formatted.</p> <p>System Action: Formatting continues.</p> <p>User Response: None.</p>
-----------------	--

ANR0309I	<p>Recovery log extend terminated - process canceled.</p> <p>Explanation: The process started as a result of an EXTEND LOG command and has been canceled.</p> <p>System Action: The EXTEND command is ended.</p> <p>User Response: None.</p>
-----------------	--

ANR0311I	<p>Recovery log reduce in progress; <i>count</i> megabytes of <i>count</i> moved.</p> <p>Explanation: As a result of a REDUCE LOG command, the amount of data from the recovery log shown has been moved.</p> <p>System Action: The REDUCE LOG command continues.</p> <p>User Response: None.</p>
-----------------	---

ANR0313I **Recovery log reduce terminated - process canceled.**

Explanation: The process started as a result of a REDUCE LOG command and has been canceled.

System Action: The REDUCE command is ended.

User Response: None.

ANR0314W **Recovery log usage exceeds *utilization percentage* % of its assigned capacity.**

Explanation: This message is issued to notify the administrator that the server recovery log utilization exceeds 90% or more of its assigned capacity.

System Action: Server operation continues.

User Response:

- If the server is operating in NORMAL log mode, depending upon the size of your recovery log, add recovery log volumes, or extend the recovery log, or both, before it fills completely. Refer to the DEFINE LOGVOL, and EXTEND LOG commands for more information on these operations.
- If the server is operating in ROLLFORWARD log mode:
 - backup the database, or
 - define a database backup trigger if one is not already defined, or
 - lower the database backup trigger if one is defined

Refer to the DEFINE DBBACKUPTRIGGER or UPDATE DBBACKUPTRIGGER commands.

ANR0350I **Recovery checkpoint started.**

Explanation: During server initialization, the process of bringing the server database back to a state of consistency has begun.

System Action: None.

User Response: None.

ANR0351I **Recovery checkpoint complete.**

Explanation: During server initialization, the process of bringing the server database back to a state of consistency has completed successfully.

System Action: None.

User Response: None.

ANR0352I	Transaction recovery complete. Explanation: During server initialization, the process of recovering any incomplete transactions has completed successfully. System Action: None. User Response: None.
ANR0353I	Recovery log analysis pass in progress. Explanation: During server initialization, the process of analyzing the server recovery log has begun. System Action: None. User Response: None.
ANR0354I	Recovery log redo pass in progress. Explanation: During server initialization, the process of committing incomplete transactions has begun. System Action: None. User Response: None.
ANR0355I	Recovery log undo pass in progress. Explanation: During server initialization, the process of rolling back incomplete transactions has begun. System Action: None. User Response: None.
ANR0356I	Recovery log compression started. Explanation: The process of removing unneeded data from the server recovery log has begun. System Action: None. User Response: None.
ANR0357I	Recovery log compression ended. Explanation: The process of removing unneeded data from the server recovery log has completed.

System Action: None.

User Response: None.

ANR0358E Database initialization failed: sufficient memory is not available.

Explanation: During server initialization, the server database fails initialization because sufficient server memory is not available.

System Action: Initialization fails.

User Response: Make more memory available to the server.

ANR0359E Database initialization failed: unable to read database restart record.

Explanation: During server initialization, the server database initialization fails because the required restart record cannot be read.

System Action: Initialization fails.

User Response: Contact your service representative.

ANR0360E Database initialization failed: database size mismatch; LVM size = *size*, expected size = *size*.

Explanation: During server initialization, the server database initialization fails because the size of the database does not match its prior size.

System Action: Initialization fails.

User Response: Contact your service representative.

ANR0361E Database initialization failed: error initializing database page allocator.

Explanation: During server initialization, the server database initialization fails because the page allocator cannot be started.

System Action: Initialization fails.

User Response: Contact your service representative.

ANR0362W Database usage exceeds *utilization percentage* % of its assigned capacity.

Explanation: This message is issued to notify the administrator that the server database utilization exceeds 80% or more of its assigned capacity.

System Action: Server operation continues.

User Response: Depending upon the size of your database, add database volumes, or extend the database, or both, before it fills completely. The server expiration

process may also free up database space making it available to other server processes. Refer to the EXPIRE INVENTORY, DEFINE DBVOL, and EXTEND DB commands for more information on these operations.

ANR0363I

Database was automatically upgraded to the server program level.

Explanation: This message is issued to notify the administrator that the server database was automatically upgraded to the current server program level. The upgrade is performed when the UPGRADEDDB parameter is specified at server start-up and the server is started over a database that was written by a down-level version of the server program.

System Action: Server operation continues.

User Response: None. The UPGRADEDDB parameter does not need to be specified during future server start-ups.

ANR0380W

The database buffer pool recovered from an overcommit of *number of pages* pages. Consider increasing your buffer pool size by *kilobytes needed* kilobytes under current server load.

Explanation: During normal processing, additional buffer pool space is required beyond that specified in the BUFPOOLSIZE in the server options file. The additional kilobytes of buffer pool space that are required are indicated in the message.

System Action: Server operation continues; the additional buffer pool space is obtained from available server memory.

User Response: If the current server load is typical, consider increasing the size specified for your BUFPOOLSIZE option by the number of kilobytes specified in the message. To do this, you must halt the server, change the options file, and then restart the server.

ANR0381I

Bufferpool statistics were successfully reset.

Explanation: Bufferpool statistics, such as the Cache Hit Ratio, have been reset by the RESET BUFPOOL command.

System Action: Server operation continues.

User Response: The QUERY DB command (FORMAT=DETAILED) can be used to to display the current values for the buffer pool statistics.

ANR0382I

The database maximum utilization statistic was successfully reset.

Explanation: The database maximum utilization statistic has been reset by the RESET DBMAXUTILIZATION command to the current utilization.

System Action: Server operation continues.

User Response: The QUERY DB command (FORMAT=DETAILED) can be used to display the current value for the maximum utilization.

ANR0383I The recovery log maximum utilization statistic was successfully reset.

Explanation: The recovery log maximum utilization statistic has been reset by the RESET LOGMAXUTILIZATION command to the current utilization.

System Action: Server operation continues.

User Response: The QUERY LOG command (FORMAT=DETAILED) can be used to display the current value for the maximum utilization.

ANR0384I The recovery log consumption statistic was successfully reset.

Explanation: The recovery log consumption statistic has been reset by the RESET LOGCONSUMPTION command.

System Action: Server operation continues.

User Response: The QUERY LOG command (FORMAT=DETAILED) can be used to display the current value for recovery log consumption.

ANR0385I Could not free sufficient buffers to reach reduced BUFPoolsize.

Explanation: A reduction in the Data Base buffer pool size was requested. However, too many buffers were in use to reach the lower buffer pool size.

System Action: Server operation continues. Whatever buffer pool size reduction that could be achieved is in effect. The new bufpoolsize is written to the options file for use on the next server startup.

User Response: None.

ANR0386I The BUFPoolsize has been changed to *buffer pool size*.

Explanation: The BUFPoolsize option has been changed to the indicated value.

System Action: Server operation continues.

User Response: None.

ANR0390W A server database deadlock situation has been encountered: lock request for transaction *transaction ID* will be denied to resolve the deadlock.

Explanation: The server detected a deadlock situation between a number of processes attempting to access database information. A lock request for one of the

processes will be denied to resolve the database deadlock. When server processes encounter a database deadlock, they usually reattempt the function that was in progress when the deadlock was encountered. Not all process can explicitly re-try an operation. For example, migration and reclamation will eventually retry. However, something like a delete volume run in a macro will only retry if the delete command is reissued either in the macro or the command line.

System Action: A lock request fails for one of the deadlocked processes. Server operation continues.

User Response: If a process can retry (like migration), then monitor the re-try attempt to see if it succeeds or not. If it fails, contact a service representative. If the process or command is not able to retry on it's own, then reissue the command or macro that caused the action to occur. If it fails again, contact a service representative for further assistance to better isolate the deadlock condition.

ANR0400I **Session** *session number* **started for node** *node name* (*client platform*) (*communication method*).

Explanation: A new client session has been initiated by the specified node. The session number, client platform type and communication method used by this session are included in the message.

System Action: The server begins a communications session to service the client node.

User Response: None.

ANR0401I **Session** *session number* **started for node** *node name* (*client platform*) (*communication method*) (**WDSF client**).

Explanation: A new WDSF client session has been initiated by the specified node. The session number, client platform type and communication method used by this session are included in the message.

System Action: The server begins a communications session to service the client node.

User Response: None.

ANR0402I **Session** *session number* **started for administrator** *administrator ID* (*administrator's platform*) (*communication method*).

Explanation: A new administrator client session has been initiated by the specified administrator. The session number, administrator's platform type and communication method used by this session are included in the message.

System Action: The server begins a communications session to service the administrator client.

User Response: None.

ANR0403I **Session** *session number* **ended for node** *node name (client platform)*.

Explanation: A client session has completed normally.

System Action: Server operation continues.

User Response: None.

ANR0404I **Session** *session number* **ended for node** *node name (client platform) (WDSF client)*.

Explanation: A WDSF client session has completed normally.

System Action: Server operation continues.

User Response: None.

ANR0405I **Session** *session number* **ended for administrator** *administrator ID (client platform)*.

Explanation: An administrative client session has completed normally.

System Action: Server operation continues.

User Response: None.

ANR0406I **Session** *session number* **started for node** *node name (client platform) (communication method communication address)*.

Explanation: A new client session has been initiated by the specified node. The session number, client platform type, communication method and address used by this session are included in the message.

System Action: The server begins a communications session to service the client node.

User Response: None.

ANR0407I **Session** *session number* **started for administrator** *administrator ID (administrator's platform) (communication method communication address)*.

Explanation: A new administrator client session has been initiated by the specified administrator. The session number, administrator's platform type, communication method and address used by this session are included in the message.

System Action: The server begins a communications session to service the administrator client.

User Response: None.

ANR0408I **Session** *session number* **started for server** *server name (server's platform)*
(*communication method*) **for purpose.**

Explanation: A new server session has been initiated by the specified server for the specified purpose. The session number, server's platform type and communication method used by this session are included in the message.

System Action: The server begins a communications session to service the administrator client.

User Response: None.

ANR0409I **Session** *session number* **ended for server** *server name (client platform).*

Explanation: A server has completed normally.

System Action: Server operation continues.

User Response: None.

ANR0418W **Session** *session number* **for administrator** *administrator name (client platform)*
refused - invalid password submitted.

Explanation: The server refuses a request to start a client session because an invalid password has been submitted by the client during sign-on processing. The server will continue to deny access attempts by this client until a valid password is submitted.

System Action: Server operation continues.

User Response: Enter the proper password. If the password has been forgotten by the user, an authorized administrator can assign a new password by using the UPDATE ADMIN command.

ANR0419W **Administrative client userid** *administrative ID* **cannot be used when authentication is on.**

Explanation: The server refuses a request for a client (administrative) session because the user ID specified cannot be used when authentication of IDs is in effect. SERVER_CONSOLE is an administrative ID that has this restriction.

System Action: Server operation continues.

User Response: Use an administrative ID that was registered for this server and that has a password.

ANR0420W **Session *session number* for node *node name* (client platform) refused - server disabled for user access.**

Explanation: The server refuses a request for a client (backup-archive) session because the server is currently disabled for client access.

System Action: Server operation continues. Administrative clients are permitted access to the server.

User Response: An authorized administrator must issue the ENABLE command before client nodes are permitted access to the server.

ANR0421W **Session *session number* for node *node name* (client platform) refused - sign-on protocol violation.**

Explanation: The server refuses a request for a client session because sign-on protocol has been violated.

System Action: Server operation continues.

User Response: This error is usually the result of a client programming error in which the sign-on verb has been incorrectly formatted and delivered to the server. This error can also result when the server is contacted by an application that is not a part of this product.

ANR0422W **Session *session number* for node *node name* (client platform) refused - node name not registered.**

Explanation: The server refuses a request to start a client session because the client node name is not registered in the server database.

System Action: Server operation continues.

User Response: Register the node name with the server before establishing a session. If the server is running with OPEN registration, no action is required; the client prompts the user for a password and registers the client with the server. If CLOSED registration is in effect on the server, an authorized administrator must use the REGISTER NODE command to register the client node name with the server.

ANR0423W **Session *session number* for administrator *administrator ID* (client platform) refused - administrator name not registered.**

Explanation: The server refuses a request to start an administrative session because the administrator name is not registered in the server database.

System Action: Server operation continues.

User Response: Register the administrator name with the server before establishing a session. An authorized administrator must use the REGISTER ADMIN command to register the administrator with the server.

ANR0424W

Session *session number* **for node** *node name (client platform)* **refused - invalid password submitted.**

Explanation: The server refuses a request to start a client session because an invalid password has been submitted by the client during sign-on processing. The server will continue to deny access attempts by this client until a valid password is submitted.

System Action: Server operation continues.

User Response: Enter the proper password. If the password has been forgotten by the user, an authorized administrator can assign a new password by using the UPDATE NODE command.

ANR0425W

Session *session number* **for node** *node name (client platform)* **refused - password has expired.**

Explanation: The server refuses the specified session because the administrator or client node's password has expired.

System Action: Server operation continues.

User Response: Upon receipt of this error condition, the client program immediately reconnects to the server specifying a password update session and prompts the user for a new password. After the user enters a new password, the client reconnects to the server for normal operations. Alternatively, an authorized administrator can update the client password using the UPDATE NODE or UPDATE ADMIN command.

ANR0426W

Session *session number* **for node** *node name (client platform)* **refused - open registration not permitted.**

Explanation: The server refuses a client session because an open registration action has been attempted and the server is running with CLOSED registration.

System Action: Server operation continues.

User Response: Ask an authorized administrator to submit the request using the REGISTER NODE or REGISTER ADMIN command.

ANR0427W **Session *session number* for node *node name* (client platform) refused - server version is down-level with this client.**

Explanation: The server refuses a client session because the client program version level is newer than that supported by the server program.

System Action: Server operation continues.

User Response: Apply service to the server program to make it compatible with the newer client program, or use an older client program to contact the server.

ANR0428W **Session *session number* for node *node name* (client platform) refused - client is down-level with this server version.**

Explanation: The server refuses a client session because the client program version level is older than that supported by the server program. For certain problems (such as the compression fix), once a node connects to the server using the newer client, the server records this fact and will not let this node back off this client version to a version that does not include the fix.

System Action: Server operation continues.

User Response: Apply service to the client program to make it compatible with the newer server program.

ANR0429W **Session *session number* for node *node name* (client platform) refused - maximum server sessions (*max sessions allowed*) exceeded.**

Explanation: The server refuses the specified client or administrative session because the maximum number of concurrent client sessions has been exceeded.

System Action: Server operation continues.

User Response: If necessary, increase the maximum number of permitted sessions. To do this, update the value for the MAXSESSIONS parameter in the server options file and restart the server with the updated options file. Note that increasing the MAXSESSIONS value requires additional memory resource by the server. You may want to retry the connection at a later time.

ANR0430W **Session *session number* for node *node name* (client platform) refused - node name is locked.**

Explanation: The server refuses the specified client session because the node is locked from server access (with the LOCK NODE command).

System Action: Server operation continues.

User Response: Before the client node is permitted to access the server, a properly authorized administrator must unlock the node with the UNLOCK NODE command.

ANR0431W **Session *session number* refused - administrator *administrator ID* (client platform) is locked.**

Explanation: The server refuses the specified administrative session because the administrator is locked from server access (with the LOCK ADMIN command).

System Action: Server operation continues.

User Response: Before the administrator is permitted to access the server, a properly authorized administrator must unlock the administrator with the UNLOCK ADMIN command.

ANR0432W **Session *session number* for node *node name* (client platform) refused - insufficient memory.**

Explanation: The server ends the specified session because sufficient memory (virtual memory) is not available.

System Action: The server ends the session and continues operation.

User Response: Allocate additional storage to the server. For details, issue HELP MEMORY to display the information online or see “Appendix A. Allocating Additional Server Memory”.

ANR0433W **Session *session number* for node or administrator ID (client platform) refused - insufficient recovery log space.**

Explanation: The server ends the specified client or administrative session because sufficient log space is not available to complete a database transaction.

System Action: The server ends the session and continues operation.

User Response: To increase the amount of log space available to the server, an authorized administrator can add log volumes using the DEFINE LOGVOLUME command, and extend the size of the log using the EXTEND LOG command.

ANR0434W **Session *session number* for node or administrator ID (client platform) refused - insufficient database space.**

Explanation: The server ends the specified client or administrative session because sufficient database space is not available to complete a database transaction.

System Action: The server ends the session and continues operation.

User Response: To increase the amount of database space available to the server, an authorized administrator can add database volumes using the DEFINE DBVOLUME command, and extend the size of the database using the EXTEND DB command.

-
- ANR0435W** **Session *session number* for node *node name* (*client platform*) refused - internal error detected.**
- Explanation:** The server ends the specified session because an internal logic error is detected.
- System Action:** The server ends the session and continues operation.
- User Response:** To determine the source of the error, the administrator can examine server messages issued prior to this message. The QUERY ACTLOG command can be used to view the activity log and search for messages. If the error cannot be isolated and resolved, contact your service representative.
-
- ANR0436W** **Session *session number* refused - a WDSF client is attempting to access the server using client name *client node name* (*client platform*), associated with a non-WDSF client.**
- Explanation:** The server refuses a client session because a Workstation DataSave Facility (WDSF) client is attempting to access the server using a node name associated with a non-WDSF client. When converting from WDSF, WDSF client programs cannot be used to access the server with a specific node name once the non-WDSF client program has been used to access the server with that node name.
- System Action:** Server operation continues.
- User Response:** Access the server using a non-WDSF client program for the node name.
-
- ANR0437W** **Session *session number* for node *client node name* (*client platform*) encountered an internal server error while checking license compliance.**
- Explanation:** The server encountered an internal error in determining if the server is in compliance with license terms.
- System Action:** The client session is ended.
- User Response:** Use the QUERY LICENSE and QUERY STATUS commands to determine if the server is in compliance with license terms. Start an AUDIT LICENSES process to re-adjust server license information. When this process completes you may restart the session. If the problem persists, contact your service representative.
-
- ANR0438W** **Session *session number* archive operation for client *client node name* (*client platform*) has been denied - Server is not in compliance with license terms.**
- Explanation:** The server refuses a client archive operation because the current server configuration is not in compliance with license terms.
-

System Action: Server operation continues. Clients may perform any action except backup or archive.

User Response: Use the QUERY LICENSE command to determine the license terms that are no longer in compliance.

ANR0439W **Session *session number* backup operation for client *client node name* (*client platform*) has been denied - Server is not in compliance with license terms.**

Explanation: The server refuses a client backup operation because the current server configuration is not in compliance with license terms.

System Action: Server operation continues. Clients may perform any action except backup or archive.

User Response: Use the QUERY LICENSE command to determine the license terms that are no longer in compliance.

ANR0440W **Protocol error on session *session number* for node *client node name* (*client platform*) - invalid verb header received.**

Explanation: The server detects a protocol error on the specified session because an invalid verb header has been received from the client. Verb headers always precede communication sent to the server from the client or from the server to the client.

System Action: The server ends the client session.

User Response: Correct the programming error in the client program if it has been written by your installation using WDSF verbs. Otherwise, contact your service representative.

ANR0441W **Protocol error on session *session number* for node *client node name* (*client platform*) - invalid data length received.**

Explanation: The server detects a protocol error on the specified session because an invalid verb length has been received from the client.

System Action: The server ends the client session.

User Response: Correct the programming error in the client program if it has been written by your installation using WDSF verbs. Otherwise, contact your service representative.

ANR0442W **Protocol error on session *session number* for node *client node name* (*client platform*) - excessively large verb received.**

Explanation: The server detects a protocol error on the specified session because an invalid verb length has been received from the client.

System Action: The server ends the client session.

User Response: Correct the programming error in the client program if it has been written by your installation using WDSF verbs. Otherwise, contact your service representative.

ANR0443W **Protocol error on session *session number* for node *client node name (client platform)* - invalid "*field name*" field found in "*verb name*" verb (offset *offset position*).**

Explanation: The server detects a protocol error on the specified session because an invalid field has been found in a verb sent from the client node.

System Action: The server ends the client session.

User Response: Correct the programming error in the client program if it has been written by your installation using WDSF verbs. Otherwise, contact your service representative.

ANR0444W **Protocol error on session *session number* for node *client node name (client platform)* - out-of-sequence verb (type *verb name*) received.**

Explanation: The server detects a protocol error on the specified session because a verb has been received that does not adhere to the client-server exchange sequence.

System Action: The server ends the client session.

User Response: If the client generating the error is not an API client, contact your service representative. If the client generating the error is an API client, contact the owner of the API client. If the client generating the error is a client that you have created using WDSF verbs, correct the programming error in your client program.

ANR0445W **Protocol error on session *session number* for node *client node name (client platform)* - maximum group transaction size exceeded.**

Explanation: The server detects a protocol error on the specified session because the client has attempted to group more than the maximum database update operations in a single database transaction.

System Action: The server ends the client session.

User Response: Correct the programming error in the client program if it has been written by your installation using WDSF verbs. Otherwise, contact your service representative.

ANR0446W **Session *session number* client *client node name* compression method unsupported - Compression forced OFF. Please obtain the latest level of the client code.**

Explanation: The client is using a compression method that is no longer supported by the Server.

System Action: Server operation continues. The client's backup operation continues, without compressing the data.

User Response: The compression method used by the client is no longer supported. In order to use compression, the client needs to be upgraded to a client service level that supports the newer compression method.

ANR0447W **Session *session number* space management migration operation for client *client node name (client platform)* has been denied - Server is not in compliance with license terms.**

Explanation: The server refuses a client space management migration operation because the current server configuration is not in compliance with license terms.

System Action: Server operation continues. Clients may perform any action except backup, archive, or space-managed file migration.

User Response: Use the QUERY LICENSE command to determine the license terms that are no longer in compliance.

ANR0448W **Session *session number* space management migration operation for client *client node name (client platform)* has been denied - server is not licensed for space management support.**

Explanation: The server refuses a client space management migration operation because the server is not licensed to support space-managed clients.

System Action: Server operation continues.

User Response: Licenses to support space-managed clients can be obtained from your service provider or reseller. The REGISTER LICENSE command can be used with these licenses to enable space management support.

ANR0449W **Session *session number* space management migration operation for client *client node name (client platform)* is in violation of server license terms - server is not licensed for space management support.**

Explanation: The server warns about a client space management migration operation because the server is not licensed to support space-managed clients.

System Action: Server operation continues.

User Response: Licenses to support space-managed clients can be obtained from your service provider or reseller. The REGISTER LICENSE command can be used with these licenses to enable space management support.

ANR0450W

Session *session number* for server *server name (client platform)* refused - server name not defined for server to server communications.

Explanation: The server refuses a request to start a server session because the requesting server name is not defined in the server database, or the requesting server definition does not have a SERVERPASSWORD.

System Action: Server operation continues.

User Response: Register the requesting server name with the server before establishing a session, or update the existing requesting server definition and set a SERVERPASSWORD. An authorized administrator must use the DEFINE SERVER or UPDATE SERVER command to register the requesting server and set the password.

ANR0451W

Session *session number* for server *server name (server platform)* refused - invalid password submitted.

Explanation: The server refuses a request to start a server session because an invalid password has been submitted during sign-on processing. The server will continue to deny access attempts by that server until valid passwords are submitted.

System Action: Server operation continues.

User Response: Set the proper passwords. If the password has been changed on either server, an authorized administrator can set new passwords by using the UPDATE SERVER command with the SERVERPASSWORD parameter.

ANR0452W

Session for server *server name* refused - server name not defined for server to server communications.

Explanation: The server refuses a request to start a server to server session because a server name is not defined in the server database, or the server definition does not have a SERVERPASSWORD. Server to server communications using the serverpassword requires that the each server has had a server definition for the other server.

System Action: Server operation continues.

User Response: Register the server names on both both servers before establishing a session, or update the server's existing server definition and set a SERVERPASSWORD. An authorized administrator must use the DEFINE SERVER or UPDATE SERVER command register the servers and set the passwords.

ANR0453W

Server to server session refused - no password defined.

Explanation: The server to server session cannot be initiated because no server password has been defined for this server.

System Action: Server operation continues.

User Response: Define a server password with the SET SERVERPASSWORD command and retry the command.

ANR0454E

Session rejected by server *server name*, reason: *rejection reason*.

Explanation: The server has attempted to open a session with the shown server. The session was rejected for the indicated reason.

System Action: The operation fails.

User Response: Check both the servers for any additional messages that might further describe the reason the session was rejected. For a reason of AUTHENTICATION FAILURE, ensure that all passwords have been set correctly on both servers. The password for the server (set by SET SERVERPASSWORD on server X) and the password in the server definition (set by DEFINE or UPDATE SERVER X SERVERPASSWORD=) are the same password. For a reason of VERIFICATION FAILURE, use the QUERY SERVER command to determine that the HLADDRESS and LLADDRESS of the target server are correct. If they are not, correct them with the UPDATE SERVER command. If they are correct, resynchronize with the target server by issuing the UPDATE SERVER FORCESYNC=YES. For a reason of COMMUNICATION FAILURE ensure that the target server is available and that TCPIP is available on both servers. For a reason of NO RESOURCE, ensure that the receiving server is enabled, has sufficient DB, LOG, and memory resource to support the source server session. For a reason of INTERNAL ERROR, use the messages on the target server to determine the problem and contact your service representative. Retry the failing operation.

ANR0455W

Invalid Command *command name* for SNMP session.

Explanation: An SNMP administrative session attempted to run a command which is not an macro invocation. SNMP administrative sessions are only allowed to issue macro commands.

System Action: The server ends the client session.

User Response: Enter commands through the SNMP administrative interface which are macros defined on the server.

-
- ANR0456W** **Session rejected for *server name* server name at High level address Low level address does not match.**
- Explanation:** The server name at the address specified does not match the name in the server definition. The connection is not established.
- System Action:** The server continues.
- User Response:** Insure the HLADDRESS and LLADDRESS in the define server command are correct, and that the servername on the server being contacted matches the name used in the DEFINE SERVER command.
-
- ANR0457W** **Session for server *server name* refused - crossdefine is not allowed on this server.**
- Explanation:** The server refuses a request to start a server to server session for crossdefine because it is not allowed on this server. The server will deny any sessions for crossdefine until crossdefine is allowed on this server.
- System Action:** Server operation continues.
- User Response:** An authorized administrator must use the SET CROSSDEFINE ON command to allow cross registration of servers.
-
- ANR0459W** **Signon for administrator *administrator name* refused - invalid administrator name and/or password submitted.**
- Explanation:** The server refuses a request to start an administrative session because an invalid administrator name and/or password has been submitted by the user during sign-on processing. The server will continue to deny access attempts by this administrator until a valid password is submitted, or until the administrator is locked due to maximum number of invalid password attempts being exceeded.
- System Action:** Server operation continues.
- User Response:** Enter the proper password. If the password has been forgotten by the user, an authorized administrator can assign a new password by using the UPDATE ADMIN command.
-
- ANR0460W** **Open registration failed for session *session number* - node name *node name* (*client platform*) already exists.**
- Explanation:** The server refuses a client session during open registration because the client has specified a node name that is already registered on the server.
- System Action:** Server operation continues.
- User Response:** The client program user must specify a different node name for the client in the client options file.
-

ANR0461W **Open registration failed for session *session number* for node *node name* (client platform) - policy domain STANDARD does not exist.**

Explanation: The server refuses a client session during open registration because the STANDARD policy domain does not exist. All nodes added to the server database under open registration are automatically assigned to the STANDARD policy domain. This policy domain must be defined and have an active policy set to support open registration.

System Action: Server operation continues.

User Response: If you want to support open registration, define a policy domain using the DEFINE DOMAIN command with the name STANDARD and activate a valid policy set in the domain. You can issue the UPDATE NODE command to move nodes to different policy domains after the nodes have registered themselves through open registration.

ANR0462W **Open registration failed for session *session number* for node *node name* (client platform) - invalid node name.**

Explanation: The server refuses a client session during open registration because the node name specified by the client is not valid.

System Action: Server operation continues.

User Response: Specify a node name in the options file of the client program that contains valid characters and does not exceed the maximum length in size. Refer to *Using the Backup-Archive Client* for a description of the node name restrictions.

ANR0463W **Open registration failed for session *session number* for node *node name* (client platform) - invalid password.**

Explanation: The server refuses a client session during open registration because the password name specified by the user is not valid.

System Action: Server operation continues.

User Response: Specify a password that uses valid characters and is less than the maximum length in size. Refer to *Using the Backup-Archive Client* for a description of the password restrictions.

ANR0464W **Open registration failed for session *session number* for node *node name* (client platform) - exceeded number of nodes available under license terms.**

Explanation: The server detected an attempt to register more nodes than allowed by the terms of the current license.

System Action: Server operation continues, but the REGISTER NODE command fails, and the node is not registered.

User Response: Use the QUERY LICENSE command to determine the license terms that are no longer in compliance.

ANR0465W

Open registration failed for session *session number* for node *node name* (client platform) - policy domain STANDARD does not have an ACTIVE policy set.

Explanation: The server refuses a client session during open registration because the STANDARD policy domain does not have an active policy set. All nodes added to the server database under open registration are automatically assigned to the STANDARD policy domain. This policy domain must be defined and have an active policy set to support open registration.

System Action: Server operation continues.

User Response: If you want to support open registration, define a policy domain using the DEFINE DOMAIN command with the name STANDARD and activate a valid policy set in the domain. You can issue the UPDATE NODE command to move nodes to different policy domains after the nodes have registered themselves through open registration.

ANR0479W

Session *session number* for server *server name* (server platform) terminated - connection with server severed.

Explanation: If server A has opened a connection with server B, server B's session is ended because the communications link has been closed by a network error or by server A's program.

System Action: Server A continues operation.

User Response: If server B halts operation or in some way stops communicating with server A, this message will be displayed on server A indicating that the connection was closed suddenly by server B. A network failure can also cause this message to be displayed. If a large number of these messages occur simultaneously, check the network for failure and correct any problems.

ANR0480W

Session *session number* for node *node name* (client platform) terminated - connection with client severed.

Explanation: The specified client session is ended because the communications link has been closed by a network error or by the client program.

System Action: Server operation continues.

User Response: If a user breaks out of a client program, this message will be displayed on the server as the connection is suddenly closed by the client. A network failure can also cause this message to be displayed. If a large number of these messages occur simultaneously, check the network for failure and correct any problems.

ANR0481W **Session *session number* for node *node name* (client platform) terminated - client did not respond within *commtimeout seconds* seconds.**

Explanation: The server ends a client session because the client has been holding database locks (a transaction was in progress) and the client has not responded in the number of seconds specified by the COMMTIMEOUT parameter in the server options file.

System Action: The server rolls back the transaction that has been in progress and the session is ended. Server operation continues.

User Response: If a large number of these messages appear, you may want to increment the value specified for the COMMTIMEOUT value in the server options file and restart the server. The amount of time that it takes for a client to respond is dependent upon the speed and processor load for the client and the network load.

ANR0482W **Session *session number* for node *node name* (client platform) terminated - idle for more than *idletimeout minutes* minutes.**

Explanation: The server ends a client session because it has been idle for more minutes than specified in the IDLETIMEOUT parameter in the server options file. The client program will automatically attempt to reconnect to the server when necessary.

System Action: Server operation continues.

User Response: If the problems persists, increase the value specified for the IDLETIMEOUT parameter in the server options file and restart the server. Many times, the client program is idle while waiting for the user to choose an action to perform (for example, backup, archive, restore, or retrieve files). If a user starts the client program and does not choose an action to perform, the session will eventually time out. The client program automatically reconnects to the server when the user chooses an action that requires server participation. Note that a large number of idle sessions can inadvertently prevent other users from connecting to the server, so care should be used when increasing the IDLETIMEOUT parameter.

ANR0483W **Session *session number* for node *node name* (client platform) terminated - forced by administrator.**

Explanation: The server ends a client session in response to a CANCEL SESSION command issued by an authorized administrator.

System Action: The server rolls back any transactions in progress for the terminated client session.

User Response: None.

-
- ANR0484W** **Session *session number* for node *node name* (client platform) terminated - protocol violation detected.**
- Explanation:** The server ends the specified session because a communications protocol error by the client has been detected.
- System Action:** The server ends the client session.
- User Response:** Examine the client message to determine the problem. Correct the programming error in the client program. If the error cannot be isolated and resolved, contact your service representative.
-
- ANR0485W** **Session *session number* for node *node name* (client platform) terminated - sufficient memory is not available.**
- Explanation:** The server ends the specified session because sufficient memory (virtual memory) is not available.
- System Action:** The server ends the session and continues operation.
- User Response:** Allocate additional storage to the server. For details, issue HELP MEMORY to display the information online or see “Appendix A. Allocating Additional Server Memory”.
-
- ANR0486W** **Session *session number* for node *node name* (client platform) terminated - internal error detected.**
- Explanation:** The specified client session is ended by the server because an internal processing error has been detected on the server. A programming error may have occurred in the server program.
- System Action:** The session is ended and server operation continues.
- User Response:** Contact your service representative.
-
- ANR0487W** **Session *session number* for node *node name* (client platform) terminated - preempted by another operation.**
- Explanation:** The server ends a client session in response to a cancel request issued by a higher priority operation that needed the mount point that the client was using.
- System Action:** The server rolls back any transactions in progress for the terminated client session.
- User Response:** Reissue the operation. If this message appears frequently, consider increasing the mountlimit value for the affected device class.
-

ANR0488W **Session *session number* for node *node name* (client platform) terminated - transfer rate is less than (*transfer rate*) and more than (*elapsed time since first data transfer*) minutes have elapsed since first data transfer.**

Explanation: The server is canceling client session number *session number*. Depending on the state of the session, it may take a while for the session to be canceled. The server ends a client session because it has been active for more minutes than specified in the THROUGHPUTTIMETHRESHOLD parameter in the server options file and the data transfer rate is less than the amount specified with the THROUGHPUTDATATHRESHOLD parameter in the server options file. The client is transferring data to the server at an abnormally slow rate and may have become a bottleneck for handling data from other clients. If the client has caused log records to be written, it is possible that this client will prevent log space reclamation.

System Action: The session is canceled and server operation continues.

User Response: If a low data transfer rate is not a problem, the THROUGHPUTTIMETHRESHOLD or THROUGHPUTDATATHRESHOLD parameters in the server options file can be set to zero - this will disable the throughput check. The change can be made without taking down the server and restarting it by using the SETOPT THROUGHPUTTIMETHRESHOLD or the SETOPT THROUGHPUTDATATHRESHOLD commands. If a low data transfer rate is not expected, external causes should be investigated. This would include network problems and problems in accessing data on the client node. The client program may automatically reconnect to the server, so this message may appear on subsequent sessions until the data transfer problem is resolved. The default server operation is not to perform a throughput check.

ANR0490I **Canceling session *session number* for node *node name* (client platform) .**

Explanation: The server is canceling client session number *session number*. This message is displayed in response to the CANCEL SESSION command. Depending on the state of the session, it may take a while for the session to be canceled.

System Action: The session is canceled and server operation continues.

User Response: None.

ANR0491I **No matching session(s) found to cancel.**

Explanation: The server cannot find any sessions to cancel matching the specifications entered in the CANCEL SESSION command.

System Action: Server operation continues.

User Response: Use the QUERY SESSION command to ensure that the session you wish to cancel is connected. Reissue the command using the appropriate session number to cancel the client session.

ANR0492I **All drives in use. Session *session number* for node *node name* (client platform) being preempted by higher priority operation.**

Explanation: When a high priority operation attempted to find an available drive, all the drives were being used. To free up a drive for this operation, the client session identified is being cancelled by the system.

System Action: The lower priority client session is cancelled to free up a mount point (drive).

User Response: When a drive again becomes available, restart the session that was cancelled. This session was most likely a backup/archive session and you may just want to let it restart automatically during its next scheduled backup window. If this message appears frequently, you may want to increase the number of drives available. See the MOUNTLIMIT parameter on the UPDATE DEVCLASS command.

ANR0493I **Restore session *session number* canceled.**

Explanation: The specified session was canceled with the CANCEL RESTORE command.

System Action: The restore session is canceled and server operation continues.

User Response: None.

ANR0494I **Volume *volume name* in use. Session *session number* for node *node name* (client platform) being preempted by higher priority operation.**

Explanation: When a high priority operation attempted to acquire a specific volume, it was being used. To free the volume for this operation, the client session identified is being cancelled by the system.

System Action: The lower priority client session is cancelled to free up the volume.

User Response: Restart the session that was cancelled, it will wait until the higher priority operation is finished with the volume. This cancelled session was most likely a backup/archive session and you may just want to let it restart automatically during its next scheduled backup window.

ANR0500W **Transaction failed for session *session number* for node *node name (client platform)* - invalid password submitted.**

Explanation: The server ends a password update transaction because the user has not correctly specified the current password.

System Action: Server operation continues.

User Response: Update your password by correctly specifying the current password. If the current password has been misplaced, the administrator can reassign a password for the client by using the UPDATE NODE or UPDATE ADMIN command.

ANR0501W **Transaction failed for session *session number* for node *node name (client platform)* - invalid policy binding specified.**

Explanation: The server ends a database update transaction for the specified session because an invalid management class has been specified for a file or directory object.

System Action: The specified session is ended and server operation continues.

User Response: Correct the programming error in the client program if it has been written by your installation using WDSF verbs. Otherwise, contact your service representative.

ANR0520W **Transaction failed for session *session number* for node *node name (client platform)* - storage pool *pool name* is not defined.**

Explanation: The server rolls back a database update transaction for the specified session because the destination specified for a management class copy group specifies the named storage pool, but that storage pool does not exist.

System Action: Server operation continues.

User Response: An administrator with policy authority over the client policy domain must correct management class definitions so that copy group destinations refer to defined storage pools, or the specified storage pool must be created by an authorized administrator.

ANR0521W **Transaction failed for session *session number* for node *node name (client platform)* - object excluded by size in storage pool *pool name* and all successor pools.**

Explanation: The server ends a database update transaction for the specified session because the size of a file sent from the client node is larger than that

allowed in the storage pool specified in the client's management class copy group. No successor storage pools to the one specified on the copy group can accept the large file.

System Action: The specified session is ended and server operation continues.

User Response: If the client is not using compression to send files to the host, turn compression on for the client (using the UPDATE NODE command) to try and resolve the problem. Otherwise, the maximum file size for one or more of the storage pools in the storage hierarchy can be increased to accommodate the file. An authorized administrator can increase the MAXSIZE parameter by issuing the UPDATE STGPOOL command.

ANR0522W **Transaction failed for session *session number* for node *node name* (client platform) - no space available in storage pool *pool name* and all successor pools.**

Explanation: The server ends a database update transaction for the specified session because the storage pool specified in the client's management class copy group does not contain enough free space to hold the files sent from the client. Successor storage pools to the one specified on the copy group do not contain enough free space.

System Action: The specified session is ended and server operation continues.

User Response: An authorized administrator can issue the DEFINE VOLUME command to add storage to one or more storage pools in the storage hierarchy. This action may also involve creating storage space by using an operating system specific utility.

ANR0523W **Transaction failed for session *session number* for node *node name* (client platform) - error on output storage device.**

Explanation: The server ends a database update transaction for the specified client because an I/O error has been encountered by the server in writing to a device.

System Action: The specified session is ended and server operation continues.

User Response: Query the activity log to find messages preceding this one that specify the failing device. Storage pool volumes can be varied offline (by using the VARY command), or the server may need to be halted to correct the hardware problem. After the problem is corrected, the client should retry the operation.

ANR0524W **Transaction failed for session *session number* for node *node name* (client platform) - data transfer interrupted.**

Explanation: The database transaction associated with session *session number* was aborted because data transfer to or from data storage was interrupted by an external event.

System Action: The session is canceled and server operation continues.

User Response: Examine the messages issued prior to this message to determine why the data transfer was interrupted. Attempt the client operation again if the problem can be resolved.

ANR0525W **Transaction failed for session *session number* for node *node name (client platform)* - storage media inaccessible.**

Explanation: The server ends a transaction for the specified session because storage volumes are not available in the storage pools in which the client's files are to be stored.

System Action: The server ends the specified session and server operation continues.

User Response: An authorized administrator can issue the DEFINE VOLUME command to add storage to one or more storage pools in the storage hierarchy. The VARY ONLINE command can be used to vary offline storage volumes online in the storage hierarchy to make them available to client nodes for file storage.

ANR0526W **Transaction failed for session *session number* for node *node name (client platform)* - sufficient recovery log space is not available.**

Explanation: The server ends a database update transaction for the specified session because sufficient log space is not available on the server.

System Action: The server ends the specified session and server operation continues.

User Response: An authorized administrator can issue the DEFINE LOGVOLUME command to add volumes for use by the log, and can issue the EXTEND LOG command to extend the size of the log so that the new volumes are used.

ANR0527W **Transaction failed for session *session number* for node *node name (client platform)* - sufficient database space is not available.**

Explanation: The server ends a database update transaction for the specified session because sufficient database space is not available on the server.

System Action: The server ends the specified session and server operation continues.

User Response: An authorized administrator can issue the DEFINE DBVOLUME command to add volumes for use by the database, and can issue the EXTEND DB command to extend the size of the database so that the new volumes are used.

ANR0528W **Transaction failed for session *session number* for node *node name* (client platform) - thread resource not available.**

Explanation: The server ends a database update transaction for the specified session because sufficient memory is not available for starting additional processes on the server.

System Action: The server ends the specified session and server operation continues.

User Response: Allocate additional storage to the server. For details, issue HELP MEMORY to display the information online or see “Appendix A. Allocating Additional Server Memory”.

ANR0529W **Transaction failed for session *session number* for node *node name* (client platform) - insufficient memory.**

Explanation: The server ends a database update transaction for the specified session because sufficient memory is not available on the server.

System Action: The server ends the specified session and server operation continues.

User Response: Allocate additional storage to the server. For details, issue HELP MEMORY to display the information online or see “Appendix A. Allocating Additional Server Memory”.

ANR0530W **Transaction failed for session *session number* for node *node name* (client platform) - internal server error detected.**

Explanation: The server ends a database update transaction for the specified session because an internal logic error is detected.

System Action: The server ends the specified session and server operation continues.

User Response: Examine the server messages issued prior to this message to determine the source of the error. Issue the QUERY ACTLOG command to view the activity log and search for messages. If the error cannot be isolated and resolved, contact your service representative.

ANR0531W **Transaction failed for session *session number* for node *node name* (client platform) - invalid file space identifier specified by client.**

Explanation: The server ends a database update transaction for the specified session because the file space identified by the client for the transaction does not exist.

System Action: This action usually occurs when a client is operating on a file space that is currently being deleted as a result of an administrative command or client action. The server ends the specified session and server operation continues.

User Response: Use the QUERY PROCESS command to monitor and wait for any file space deletion processes to complete, or cancel the process if you do not want to delete the file space. Try the client action again after this action has been taken.

ANR0532W *DiagnosticID: Transaction transaction ID was aborted for session session number for node node name (client platform).*

Explanation: An error has been detected during a transaction commit for the specified session. This message should be preceded by other messages that give additional information about the failed transaction.

System Action: The activity that generated this error fails.

User Response: Check for additional messages and eliminate the condition that caused the failed transaction. If the error cannot be isolated and resolved, contact your service representative.

ANR0533W **Transaction failed for session session number - compression method used by client not supported. Please obtain the latest level of the client code.**

Explanation: The server ends the transaction for the specified session because the compression method that is used by the client is no longer supported by the server.

System Action: The server ends the specified session and server operation continues.

User Response: The client must either backup the data with compression turned off, or upgrade to a client that supports the newer compression method. If the client is a WDSF client, upgrade to a non-WDSF client in order to use the compression performed by the client.

ANR0534W **Transaction failed for session session number for node node name (client platform) - size estimate exceeded and server is unable to obtain additional space in storage pool pool name.**

Explanation: The server ends a database update transaction for the specified session because the size estimate provided by the client is too small. The server has attempted to obtain additional space in the indicated storage pool, but was unable to do so.

System Action: The specified session is ended and server operation continues. If *pool name* is a random access storage pool with caching enabled, it is also possible that additional space can be made available in this storage pool by eliminating

cached files. When the server allocates space based on the size estimate provided by the client, it frees space occupied by cached files if this space is needed to obtain the estimated space. However, if the server later determines that the file size estimate was too low, it attempts to obtain additional space that is not utilized, but does not delete cached files to do so. If the client sending the data has the option COMPRESSALWAYS YES set, it is possible that a file grew during the compression operation and when the client sent it to the server it exceeded the space available in storage pool *pool name*.

User Response: This message may indicate that there is no additional space in *pool name*. The following are possible circumventions:

An authorized administrator can issue the DEFINE VOLUME command to add storage to this pool.

If the suspected cause of the failure is that *pool name* is a DISK storage pool and that space in use by cached files was not freed, turn off caching for the storage pool and issue the MOVE DATA command for the volumes in pool *pool name*.

If the suspected cause of the failure is that a file grew in size during compression on the client, another possible circumvention is to set the COMPRESSALWAYS option in the client options file to NO and retry the operation. This may allow the client to accurately report the file size and possibly avoid the out of space condition in the storage pool.

ANR0535W **Transaction failed for session *session number* for node *node name* (client platform) - insufficient mount points available to satisfy the request.**

Explanation: The server was unable to allocate sufficient mount points to process the transaction.

System Action: The operation is ended and server operation continues.

User Response: If necessary, make more mount points available.

ANR0536W **Transaction failed for session *session number* for node *node name* (client platform) - downlevel client does not support format of stored files.**

Explanation: A client attempts to perform an operation involving files that are stored in a format that is not supported by that client level.

System Action: The operation is ended and server operation continues.

User Response: Upgrade the client to a later level.

ANR0540W **Retrieve or restore failed for session *session number* for node *node name* (client platform) - data integrity error detected.**

Explanation: The server ends a file retrieval operation for the specified session because an internal database integrity error has been encountered on the server.

System Action: The server ends the specified session and continues operation.

User Response: Contact your service representative.

ANR0541W **Retrieve or restore failed for session *session number* for node *node name* (client platform) - error on input storage device.**

Explanation: The server ends a client retrieval or restore operation for the specified session because an I/O error has been encountered by the server in reading from a device.

System Action: The server ends the specified session and server operation continues.

User Response: Query the activity log to find messages preceding this one that specify the device that is failing. Storage pool volumes can be varied offline (by using the VARY OFFLINE command), or the server may need to be shut down by using the HALT command to correct the hardware problem. After the problem is corrected, the client may try the operation again.

ANR0542W **Retrieve or restore failed for session *session number* for node *node name* (client platform) - storage media inaccessible.**

Explanation: The server ends a client retrieval or restore operation for the specified session because a needed storage pool volume has been varied offline.

System Action: The server ends the specified session and server operation continues.

User Response: Use the VARY ONLINE command to vary offline storage volumes online in the storage hierarchy, and make them available to client nodes for file storage.

ANR0543W **Retrieve or restore failed for session *session number* for node *node name* (client platform) - data transfer interrupted.**

Explanation: The database transaction associated with session *session number* was aborted because data transfer to or from data storage was interrupted by an external event.

System Action: The session is canceled and server operation continues.

User Response: Examine the messages issued prior to this message to determine why the data transfer was interrupted. Attempt the client operation again, if the problem can be resolved.

ANR0544W **Retrieve or restore failed for session *session number* for node *node name* (client platform) - thread resource not available.**

Explanation: The server ends a file retrieval or restore operation for the specified session because sufficient memory is not available for starting additional processes on the server.

System Action: The server ends the specified session and server operation continues.

User Response: Allocate additional storage to the server. For details, issue HELP MEMORY to display the information online or see “Appendix A. Allocating Additional Server Memory”.

ANR0545W **Retrieve or restore failed for session *session number* for node *node name* (client platform) - insufficient memory.**

Explanation: The server ends a file retrieval or restore operation for the specified session because sufficient memory is not available on the server.

System Action: The server ends the specified session and server operation continues.

User Response: Allocate additional storage to the server. For details, issue HELP MEMORY to display the information online or see “Appendix A. Allocating Additional Server Memory”.

ANR0546W **Retrieve or restore failed for session *session number* for node *node name* (client platform) - internal server error detected.**

Explanation: The server ends a file retrieval or restore operation for the specified session because an internal logic error is detected in the server program.

System Action: The server ends the specified session and continues operation.

User Response: Examine the server messages issued prior to this message to determine the source of the error. Use the QUERY ACTLOG command to view the activity log and search for messages. If the error cannot be isolated and resolved, contact your service representative.

ANR0547E **Invalid data was encountered in the command processor output stream: output formatting terminated for the last command entered.**

Explanation: The server console session encounters an error in formatting output from a command.

System Action: The command output is discarded and server operation continues.

User Response: Use the server QUERY command to determine if the command you entered had the desired affect in the server. Use the QUERY ACTLOG command to see if a server error condition (like out of memory) occurred prior to the command. Resolve the error if it is found. Contact your service representative if you cannot resolve the error, or if an error is not found.

ANR0548W **Retrieve or restore failed for session *session number* for node *node name (client platform)* processing filespace *filespace* for file *file name* stored as storage repository - data integrity error detected.**

Explanation: The server ends a file retrieval operation for the specified session because an internal database integrity error has been encountered on the server.

System Action: The server ends the specified session and continues operation.

User Response: Re-try the restore or retrieve operation and if the file is also backed up in a copy storage pool, the operation will attempt to read the file from the alternate location.

ANR0566W **Retrieve or restore failed for session *session number* for node *node name (client platform)* - file was deleted from data storage during retrieval.**

Explanation: The server ends a file retrieval operation for the specified session because the file has been deleted from data storage by another process before retrieval is complete.

System Action: The server ends the specified session and continues operation.

User Response: Contact your administrator to find out if DELETE FILESPACE, DELETE VOLUME, or inventory expiration processes are running; these processes can delete data storage files during retrieval. Reissue the restore or retrieve operation and specify a different file version.

ANR0567W **Retrieve or restored failed for session *session number* for node *node name (client platform)* - insufficient mount points available to satisfy the request.**

Explanation: The server was unable to allocate sufficient mount points to process the retrieve or restore operation.

System Action: The operation is ended and server operation continues.

User Response: If necessary, make more mount points available.

ANR0568W

Session *session number* for admin *admin name* (client platform) terminated - connection with client severed.

Explanation: The specified admin session is ended because the communications link has been closed by a network error or by the client program.

System Action: Server operation continues.

User Response: If a user breaks out of a client program, this message will be displayed on the server as the connection is suddenly closed by the client. A network failure can also cause this message to be displayed. If a large number of these messages occur simultaneously, check the network for failure and correct any problems.

ANR0569I

Object not processed for *node name*: *type*=*type*, *file space*=*filespace name*, *object*=*object name*.

Explanation: An error occurred. The object for *node name*, identified by *type*, *file space* and *object name* was not processed.

System Action: Server action is defined by the error that occurred.

User Response: Issue QUERY ACTLOG to determine the source of the error.

ANR0570E

***Export command*: Invalid value for DURUNITS parameter detected while exporting administrative schedule *schedule name* - default or existing value is used during import.**

Explanation: During processing of command *export command*, an invalid value is encountered for the DURUNITS parameter for administrative schedule *schedule name*.

System Action: Export processing continues, but the exported data contains an unknown DURUNITS value for this schedule. If this data is imported, the server uses the default or existing DURUNITS value.

User Response: Update the DURUNITS value for this schedule and restart the export command. Alternatively, the export data with the unknown value can be used, and the DURUNITS value can be checked and updated after import processing has been performed.

ANR0571E *Export command: Invalid value for PERUNITS parameter detected while exporting administrative schedule *schedule name* - default or existing value is used during import.*

Explanation: During processing of command *export command*, an invalid value is encountered for the PERUNITS parameter for administrative schedule *schedule name*.

System Action: Export processing continues, but the exported data will contain an unknown PERUNITS value for this schedule. If this data is imported, the server uses the default or existing PERUNITS value.

User Response: Update the PERUNITS value for this schedule and restart the export command. Alternatively, use the export data with the unknown value, and check and update the PERUNITS value after import processing has been performed.

ANR0572E *Export command: Invalid value for DAYOFWEEK parameter detected while exporting administrative schedule *schedule name* - default or existing value is used during import.*

Explanation: During processing of command *export command*, an invalid value is encountered for the DAYOFWEEK parameter for administrative schedule *schedule name*.

System Action: Export processing continues, but the exported data contains an unknown DAYOFWEEK value for this schedule. If this data is imported, the server uses the default or existing DAYOFWEEK value.

User Response: Update the DAYOFWEEK value for this schedule and restart the export command. Alternatively, use the export data with the unknown value, and check and update the DAYOFWEEK value after import processing has been performed.

ANR0573I *Export/import command: Processing administrative schedule *schedule name*.*

Explanation: The background export or import process to service the command *export/import command* is currently processing the schedule definition information for administrative schedule *schedule name*.

System Action: Export or import processing for the command continues.

User Response: None.

ANR0574E *Import command: Invalid value for DURUNITS or PERUNITS parameter in exported data for administrative schedule *schedule name*.*

Explanation: During preview processing of command *import command*, an invalid value is encountered for the DURUNITS or PERUNITS parameter for administrative schedule *schedule name*.

System Action: Processing of the command continues. If a later command is issued that causes the data to be imported, the default or existing values are used for DURATION, DURUNITS, PERIOD, and PERUNITS.

User Response: If the data is imported with a later command, verify that the correct values for DURATION, DURUNITS, PERIOD, and PERUNITS are used for this schedule.

ANR0575E *Import command: Invalid value for DAYOFWEEK parameter in exported data for administrative schedule *schedule name*.*

Explanation: During preview processing of command *import command*, an invalid value is encountered for the DAYOFWEEK parameter for administrative schedule *schedule name*.

System Action: Processing of the command continues. If a later command is issued that causes the data to be imported, the default or existing DAYOFWEEK value is used.

User Response: If the data is imported with a later command, verify that the correct DAYOFWEEK value is used for this schedule.

ANR0576E *Import command: Invalid value for DURUNITS or PERUNITS parameter in exported data - administrative schedule *schedule name* defined with default values for DURATION, DURUNITS, PERIOD, and PERUNITS.*

Explanation: During processing of command *import command*, an invalid value is encountered for the DURUNITS or PERUNITS parameter for administrative schedule *schedule name*.

System Action: Processing of the command continues, by using the default values for DURATION, DURUNITS, PERIOD, and PERUNITS.

User Response: Verify that the correct values have been used for DURATION, DURUNITS, PERIOD, and PERUNITS. Update these values, if necessary.

ANR0577E *Import command: Invalid value for DAYOFWEEK parameter in exported data - administrative schedule *schedule name* defined with default DAYOFWEEK value.*

Explanation: During processing of command *import command*, an invalid value is encountered for the DAYOFWEEK parameter for administrative schedule *schedule name*.

System Action: Processing of the command continues, by using the default DAYOFWEEK value for this schedule.

User Response: Verify that the correct DAYOFWEEK value has been used for this schedule. Update this value, if necessary.

ANR0578E *Import command: Invalid value for DURUNITS or PERUNITS parameter in exported data - existing values for DURATION, DURUNITS PERIOD, and PERUNITS for administrative schedule *schedule name* were not updated.*

Explanation: During processing of command *import command*, an invalid value is encountered for the DURUNITS or PERUNITS parameter for administrative schedule *schedule name*.

System Action: Processing of the command continues, by using the existing values for DURATION, DURUNITS, PERIOD, and PERUNITS.

User Response: Verify that the correct values have been used for DURATION, DURUNITS, PERIOD, and PERUNITS. Update these values, if necessary.

ANR0579E *Import command: Invalid value for DAYOFWEEK parameter in exported data - existing DAYOFWEEK value for administrative schedule *schedule name* was not updated.*

Explanation: During processing of command *import command*, an invalid value is encountered for the DAYOFWEEK parameter for administrative schedule *schedule name*.

System Action: Processing of the command continues, by using the existing DAYOFWEEK value for this schedule.

User Response: Verify that the correct DAYOFWEEK value has been used for this schedule. Update this value, if necessary.

ANR0580E *Export command: Invalid value for SPACEMGTECHNIQUE parameter detected while exporting management class management class name in domain domain name, set policy set name - default or existing value is used during import.*

Explanation: During processing of command *export command*, an invalid value is encountered for the SPACEMGTECHNIQUE parameter for management class *management class name* in domain *domain name*, policy set *policy set name*.

System Action: Export processing continues, but the exported data contains an unknown SPACEMGTECHNIQUE value for this management class. If this data is imported, the default or existing SPACEMGTECHNIQUE value is used.

User Response: Update the SPACEMGTECHNIQUE value for this copy group and restart the export. Alternatively, use the export data with the unknown value, and check and update the SPACEMGTECHNIQUE value after import processing has been performed.

ANR0581E *Export command: Invalid value for MIGREQUIRESBKUP parameter detected while exporting management class management class name in domain domain name, set policy set name - default or existing value is used during import.*

Explanation: During processing of command *export command*, an invalid value is encountered for the MIGREQUIRESBKUP parameter for management class *management class name* in domain *domain name*, policy set *policy set name*.

System Action: Export processing continues, but the exported data contains an unknown value for this management class. If this data is imported, the default or existing MIGREQUIRESBKUP value is used.

User Response: Update the MIGREQUIRESBKUP value for this copy group and restart the export. Alternatively, use the export data with the unknown value, and check and update the MIGREQUIRESBKUP value after import processing has been performed.

ANR0582E *Import command: Invalid value for SPACEMGTECHNIQUE parameter in exported data for management class management class name in domain domain name, set policy set name.*

Explanation: During preview processing of command *import command*, an invalid value is encountered for the SPACEMGTECHNIQUE parameter for management class *management class name*, in policy domain *domain name*, policy set *policy set name*.

System Action: Processing of the command continues. If a later command is issued that causes the data to be imported, the default or existing SPACEMGTECHNIQUE value is used.

User Response: None. If the data is imported with a later command, verify that the correct SPACEMGTECHNIQUE value is used for this management class.

ANR0583E

Import command: Invalid value for SPACEMGTECHNIQUE parameter in exported data - management class *management class name* in domain *domain name*, set *policy set name* defined with default SPACEMGTECHNIQUE value.

Explanation: During processing of command *import command*, an invalid value is encountered for the SPACEMGTECHNIQUE parameter for management class *management class name*, in policy domain *domain name*, policy set *policy set name*.

System Action: Processing of the command continues, by using the default SPACEMGTECHNIQUE value for this management class.

User Response: Verify that the correct SPACEMGTECHNIQUE value has been used for this management class. Update this value, if necessary.

ANR0584E

Import command: Invalid value for SPACEMGTECHNIQUE parameter in exported data - SPACEMGTECHNIQUE value for management class *management class name* in domain *domain name*, set *policy set name* was not updated.

Explanation: During processing of command *import command*, an invalid value is encountered for the SPACEMGTECHNIQUE parameter for management class *management class name*, in policy domain *domain name*, policy set *policy set name*.

System Action: Processing of the command continues, by using the existing SPACEMGTECHNIQUE value for this management class.

User Response: Verify that the correct SPACEMGTECHNIQUE value has been used for this management class. Update this value, if necessary.

ANR0585E

Import command: Invalid value for MIGREQUIRESBKUP parameter in exported data for management class *management class name* in domain *domain name*, set *policy set name*.

Explanation: During preview processing of command *import command*, an invalid value is encountered for the MIGREQUIRESBKUP parameter for management class *management class name*, in policy domain *domain name*, policy set *policy set name*.

System Action: Processing of the command continues. If a later command causes the data to be imported, the default or existing MIGREQUIRESBKUP value is used.

User Response: None. If the data is imported with a later command, verify that the correct MIGREQUIRESBKUP value is used for this management class.

-
- ANR0586E** *Import command: Invalid value for MIGREQUIRESBKUP parameter in exported data - management class management class name in domain domain name, set policy set name defined with default MIGREQUIRESBKUP value.*
- Explanation:** During processing of command *import command*, an invalid value is encountered for the MIGREQUIRESBKUP parameter for management class *management class name*, in policy domain *domain name*, policy set *policy set name*.
- System Action:** Processing of the command continues, by using the default MIGREQUIRESBKUP value for this management class.
- User Response:** Verify that the correct MIGREQUIRESBKUP value has been used for this management class. Update this value, if necessary.
-
- ANR0587E** *Import command: Invalid value for MIGREQUIRESBKUP parameter in exported data - MIGREQUIRESBKUP value for management class management class name in domain domain name, set policy set name was not updated.*
- Explanation:** During processing of command *import command*, an invalid value is encountered for the MIGREQUIRESBKUP parameter.
- System Action:** Processing of the command continues, by using the existing MIGREQUIRESBKUP value for this management class.
- User Response:** Verify that the correct MIGREQUIRESBKUP parameter has been used for this management class. Update this value, if necessary.
-
- ANR0588E** *Import command: Server is down-level compared to export data version version number.*
- Explanation:** An attempt is made to import data to a down-level server. The server on which the import is performed must be at the same or later level than the server from which the data was exported.
- System Action:** The import process ends and server operation continues.
- User Response:** Import to a server that is at the same or later level than the server from which the export was performed.
-
- ANR0589E** *Import command: Preview processing terminated abnormally - server is down-level.*
- Explanation:** Processing for the command *import command* in preview mode ends when it is determined that the server is down-level compared to the export data.
- System Action:** Import processing ends and server operation continues.
- User Response:** Import to a server that is at the same or later level than the server from which the export was performed.
-

ANR0590E *Import command: Processing terminated abnormally - server is down-level.*

Explanation: Processing for the command *import command* ends when it is determined that the server is down-level compared to the export data.

System Action: Import processing ends and server operation continues.

User Response: Import to a server that is at the same or later level than the server from which the export was performed.

ANR0591E *Export/import command: Invalid value for FILELIST parameter - parameter value.*

Explanation: The value (*parameter value*) specified for the FILELIST parameter in command *export/import command* is not a valid value for this parameter.

System Action: The command fails and server operation continues.

User Response: Reissue the command and specify a valid FILELIST parameter. For information on valid values for the FILELIST parameter for the command, refer to the *Administrator's Reference* for your particular platform.

ANR0592E *Export/import command: Invalid value for TOC parameter - parameter value.*

Explanation: The value (*parameter value*) specified for the TOC parameter in command *export/import command* is not a valid value for this parameter.

System Action: The command fails and server operation continues.

User Response: Reissue the command and specify a valid TOC parameter. For information on valid values for the TOC parameter for the command, refer to the *Administrator's Reference* for your particular platform.

ANR0593E *Export/import command: Invalid value for NOSPAN parameter - parameter value.*

Explanation: The value (*parameter value*) specified for the NOSPAN parameter in command *export/import command* is not a valid value for this parameter.

System Action: The command fails and server operation continues.

User Response: Reissue the command and specify a valid NOSPAN parameter. For information on valid values for the NOSPAN parameter for the command, refer to the *Administrator's Reference* for your particular platform.

ANR0594E *device class: NOSPAN parameter can only be used with a 3590 device class.*

Explanation: The device class specified must be a 3590 device class when NOSPAN is set to True.

System Action: The command fails and server operation continues.

User Response: Reissue the command and specify a valid NOSPAN/Device Class parameter. For information on valid values for the NOSPAN parameter for the command, refer to the *Administrator's Reference* for your particular platform.

ANR0596W **Space-managed object *object name* for client node *node name*, filesystem *filesystem name* already exists on the server - it will be skipped.**

Explanation: While attempting to import a space-managed object, the server discovers that the object already exists. The space-managed object is skipped.

System Action: Server operation continues.

User Response: None.

ANR0597W **IMPORT: Space management attributes in management class *management class name* for domain *domain name* is not defined - default management class will be used.**

Explanation: During import processing, the server finds that the space management attributes for a space-managed file being imported does not exist in the active policy set for the domain to which the node is assigned.

System Action: The default management class for the node's policy domain is bound to the space-managed file and import processing continues.

User Response: If you want to define the missing management class, an authorized administrator may cancel the import operation, define the missing space management attributes or management class for the domain, and process the import operation again.

ANR0598W **IMPORT: Space management attributes not found for default management class in domain *domain name* - space managed files bound to management class *management class name* in this domain cannot be imported.**

Explanation: During import processing, the server finds that a management class bound to a space-managed file being imported does not exist in the active policy set for the domain to which the node is assigned. When trying to rebind the space-managed file to the default management class for the domain, the server finds that the space-managed attributes are not defined for the default management class.

System Action: The file is not imported; import processing continues.

User Response: If you want to define the missing copy group, an authorized administrator may cancel the import operation, define the missing space management attributes or management class for the domain, and process the import operation again.

ANR0599E *Export/import command: Invalid volume name volume name specified for device class device class name.*

Explanation: One of the volume names specified in the VOLUMENAMES parameter for an import or export command is not a valid volume name for the device class specified in the DEVCLASS parameter.

System Action: The export or import command fails.

User Response: Specify volume names in the VOLUMENAMES parameter that are valid for the device class specified in the DEVCLASS parameter.

ANR0600I *Export command: No matching policy domains found for exporting.*

Explanation: The background export process does not find any policy domains that match the specification entered in the *export command*.

System Action: The export process continues and no policy domains are exported from the server.

User Response: None.

ANR0601I *Export command: No policy sets found in policy domain domain name for exporting.*

Explanation: The background export process does not find any policy sets defined in domains matching *domain name*.

System Action: The export process continues and no policy sets are exported from the domain.

User Response: None.

ANR0602I *Export command: No management classes were found in policy domain domain name for exporting.*

Explanation: The background export process does not find any management classes defined in policy domains matching *domain name*.

System Action: The export process continues and no management classes are exported from the domain.

User Response: None.

ANR0603I *Export command: No copy groups were found in policy domain domain name for exporting.*

Explanation: The background export process does not find any copy groups defined in policy domains matching *domain name*.

System Action: The export process continues and no copy groups are exported from the domain.

User Response: None.

ANR0604I *Export command: No schedules were found in policy domain domain name for exporting.*

Explanation: The background export process does not find any schedules defined for policy domains matching *domain name*.

System Action: The export process continues and no schedules are exported for the domain.

User Response: None.

ANR0605I *Export command: No schedule associations were found in policy domain domain name for exporting.*

Explanation: The background export process does not find any schedule node associations defined for policy domains matching *domain name*.

System Action: The export process continues and no schedule associations are exported for the domain.

User Response: None.

ANR0606I *Export command: No node definitions were found for exporting.*

Explanation: The background export process does not find any node definitions to export as specified in the command *export command*.

System Action: The export process continues.

User Response: None.

ANR0607I *Export command: No administrator definitions were found for exporting.*

Explanation: The background export process does not find any administrator definitions to export as specified in the command *export command*.

System Action: The export process continues.

User Response: None.

ANR0608I *Export command: No file spaces were found for exporting.*

Explanation: The background export process does not find any file space definitions to export as specified in the command *export command*.

System Action: The export process continues.

User Response: None.

ANR0609I *Command started as process process ID.*

Explanation: A background process has been started to service the command *command*. The background process is defined as process *process ID*.

System Action: Server operation continues.

User Response: To query the progress of the background process, use the QUERY PROCESS command. To cancel the background process, use the CANCEL PROCESS command. Use the *process ID* number to specify this specific process.

ANR0610I *Command started by administrator name as process process ID.*

Explanation: A background process has started to service the command *command* entered by administrator *administrator name*. The background process is defined as process *process ID*.

System Action: Server operation continues.

User Response: To query the progress of the background process, use the QUERY PROCESS command. To cancel the background process, use the CANCEL PROCESS command. Use the *process ID* number to specify this specific process.

ANR0611I *Command started by administrator name as process process ID has ended.*

Explanation: The background process to service the command *command* by administrator *administrator name* has completed processing.

System Action: The specified process ends, and server operation continues.

User Response: None.

ANR0612I *Import command: Reading EXPORT SERVER data from server server name exported export date export time.*

Explanation: The background import process to service the command *import command* is importing information exported from server *server name* with the EXPORT SERVER command on *export date* at *export time*.

System Action: Import processing continues.

User Response: None.

ANR0613I *Import command: Reading EXPORT POLICY data from server server name exported export date export time.*

Explanation: The background import process to service the command *import command* is importing information exported from server *server name* with the EXPORT POLICY command on *export date* at *export time*.

System Action: Import processing continues.

User Response: None.

ANR0614I *Import command: Reading EXPORT ADMIN data from server server name exported export date export time.*

Explanation: The background import process to service the command *import command* is importing information exported from server *server name* with the EXPORT ADMIN command on *export date* at *export time*.

System Action: Import processing continues.

User Response: None.

ANR0615I *Import command: Reading EXPORT NODE data from server server name exported export date export time.*

Explanation: The background import process to service the command *import command* is importing information exported from server *server name* with the EXPORT NODE command on *export date* at *export time*.

System Action: Import processing continues.

User Response: None.

ANR0616I *Export/import command: Preview processing completed successfully.*

Explanation: The background export or import process to service the command *export/import command* in preview (Preview=Yes) mode has completed successfully.

System Action: Export or import processing for the command completes. Statistics on the projected number and type of objects moved, together with the projected total number of bytes copied, are displayed on the server console following this message.

User Response: None.

ANR0617I

Export/import command: Processing completed with status status.

Explanation: The background export or import process to service the command *export/import command* has completed with status *status*. If the status is INCOMPLETE, some files have been skipped due to errors reading or writing the file.

System Action: Export or import processing for the command completes. Statistics on the number and type of objects moved, together with the total number of bytes copied, are displayed on the server console following this message. A summary of the number of files that were skipped is also displayed.

User Response: None.

ANR0618I

Export/import command: Preview processing canceled before completion.

Explanation: The background export or import process to service the command *export/import command* in preview (Preview=Yes) mode has been canceled with the CANCEL PROCESS command.

System Action: Export or import processing for the command ends. Statistics on the projected number and type of objects moved, together with the projected total number of bytes copied, are displayed on the server console following this message.

User Response: None.

ANR0619I

Command: Processing canceled before completion.

Explanation: The background process to service the command *command* has been canceled with the CANCEL PROCESS command.

System Action: Processing for the command *command* ends. Statistics on the number and type of objects moved, together with the total number of bytes copied, are displayed on the server console following this message.

User Response: None.

ANR0620I

Export/import command: Copied number domain(s).

Explanation: The background export or import process to service the command *export/import command* copies *number* policy domain definitions from the server database to export media or from export media into the server database. Data is not actually moved if Preview=Yes is specified in the command *export/import command*.

System Action: Export or import processing for the command completes. Server operation continues.

User Response: None.

ANR0621I *Export/import command: Copied number policy sets.*

Explanation: The background export or import process to service the command *export/import command* copies *number* policy set definitions from the server database to export media or from export media into the server database. Data is not actually moved if *Preview=Yes* is specified in the command *export/import command*.

System Action: Export or import processing for the command completes. Server operation continues.

User Response: None.

ANR0622I *Export/import command: Copied number management classes.*

Explanation: The background export or import process to service the command *export/import command* copies *number* management class definitions from the server database to export media or from export media into the server database. Data is not moved if *Preview=Yes* is specified in the command *export/import command*.

System Action: Export or import processing for the command completes. Server operation continues.

User Response: None.

ANR0623I *Export/import command: Copied number copy groups.*

Explanation: The background export or import process to service the command *export/import command* copies *number* copy group definitions from either the server database to export media or from export media into the server database. Data is not moved if *Preview=Yes* is specified in the command *export/import command*.

System Action: Export or import processing for the command completes. Server operation continues.

User Response: None.

ANR0624I *Export/import command: Copied number schedules.*

Explanation: The background export or import process to service the command *export/import command* copies *number* schedule definitions from either the server database to export media or from export media into the server database. Data is not moved if *Preview=Yes* is specified in the command *export/import command*.

System Action: Export or import processing for the command completes. Server operation continues.

User Response: None.

ANR0625I

Export/import command: Copied number administrators.

Explanation: The background export or import process to service the command *export/import command* copies *number* administrator definitions from either the server database to export media or from export media into the server database. Data is not moved if *Preview=Yes* is specified in the command *export/import command*.

System Action: Export or import processing for the command completes. Server operation continues.

User Response: None.

ANR0626I

Export/import command: Copied number node definitions.

Explanation: The background export or import process to service the command *export/import command* copies *number* client node definitions from the server database to export media or from export media into the server database. Data is not moved if *Preview=Yes* is specified in the command *export/import command*.

System Action: Export or import processing for the command completes. Server operation continues.

User Response: None.

ANR0627I

Export/import command: Copied filespace number file space archive number archive files, backup number backup files, and spacemg number space managed files.

Explanation: The background export or import process to service the command *export/import command* copies *filespace number* client file space definitions, *archive number* archive file copies, *backup number* backup file copies, and *spacemg number* space-managed files from either the server database to export media or from import media into the server database. Data is not actually moved if *Preview=Yes* is specified in the command *export/import command*.

System Action: Export or import processing for the command completes. Server operation continues.

User Response: None.

ANR0629I

Export/import command: Copied number bytes of data.

Explanation: The background export or import process to service the command *export/import command* copies *number* bytes of data from the server database and data storage to the export media or from the export media to the server database and data storage. Data is not moved if *Preview=Yes* is specified in the command

export/import command. This figure can be used during export preview processing to estimate the number of removable media volumes needed to hold the exported information from the server.

System Action: Export or import processing for the command completes. Server operation continues.

User Response: None.

ANR0630I *Export/import command: Copied number kilobytes of data.*

Explanation: The background export or import process to service the command *export/import command* copies *number* kilobytes of data from the server database and data storage to the export media or from the export media to the server database and data storage. This figure can be used during export preview processing to estimate the number of removable media volumes needed to hold the exported information from the server.

System Action: Export or import processing for the command completes. Server operation continues.

User Response: None.

ANR0631I *Export/import command: Copied number megabytes of data.*

Explanation: The background export or import process to service the command *export/import command* copies *number* megabytes of data from the server database and data storage to the export media or from the export media to the server database and data storage. This figure can be used during export preview processing to estimate the number of removable media volumes needed to hold the exported information from the server.

System Action: Export or import processing for the command completes. Server operation continues.

User Response: None.

ANR0632I *Export/import command: Copied number gigabytes of data.*

Explanation: The background export or import process to service the command *export/import command* copies *number* gigabytes of data from the server database and data storage to the export media or from the export media to the server database and data storage. This figure can be used during export preview processing to estimate the number of removable media volumes needed to hold the exported information from the server.

System Action: Export or import processing for the command completes. Server operation continues.

User Response: None.

ANR0633I

Export/import command: Copied number terabytes of data.

Explanation: The background export or import process to service the command *export/import command* copies *number* terabytes of data from the server database and data storage to the export media or from the export media to the server database and data storage. This figure can be used during export preview processing to estimate the number of removable media volumes needed to hold the exported information from the server.

System Action: Export or import processing for the command completes. Server operation continues.

User Response: None.

ANR0634I

Export/import command: Detected number errors.

Explanation: The background export or import process to service the command *export/import command* detects *number* errors while copying information from the server database and data storage to the export media or from the export media to the server database and data storage.

System Action: Export or import processing for the command completes. Server operation continues.

User Response: Examine the server messages issued prior to this message to view the error. Use the QUERY ACTLOG command to view the activity log and search for messages.

ANR0635I

Export/import command: Processing node node name in domain domain name.

Explanation: The background export or import process to service the command *export/import command* is currently processing the client node definition information for node *node name*. The node will be imported to domain *domain name*.

System Action: Export or import processing for the command continues.

User Response: None.

ANR0636I

Import command: Processing file space filespace name for node node name as file space new filespace name.

Explanation: The background import process to service the command *import command* is currently processing the client file space definition information for file space *filespace name* belonging to client node *node name*. The file space is imported under the name *new filespace name*. During import processing, file spaces

defined for clients are not replaced, and file copy information in the file spaces are imported to new file space names so that client file copies are not mixed with existing definitions. Import processing can then create file spaces with names generated by the import processor for client nodes that existed prior to the import operation.

System Action: Import processing for the command continues.

User Response: None; however, clients may want to examine the contents of the file space with the name *new filespace name* so that they know where certain file copies are kept.

ANR0637I *Export/import command: Processing file space filespace name for node node name.*

Explanation: The background export or import process to service the command *export/import command* is currently processing client node file space information for file space *filespace name* belonging to client node *node name*.

System Action: Export or import processing for the command continues.

User Response: None.

ANR0638I *Export/import command: Processing administrator administrator name.*

Explanation: The background export or import process to service the command *export/import command* is currently processing the administrator definition information for administrator *administrator name*.

System Action: Export or import processing for the command continues.

User Response: None.

ANR0639I *Export/import command: Processing domain domain name.*

Explanation: The background export or import process to service the command *export/import command* is currently processing the policy domain definition information for domain *domain name*.

System Action: Export or import processing for the command continues.

User Response: None.

ANR0640I *Export/import command: Processing policy set set name in policy domain domain name.*

Explanation: The background export or import process to service the command *export/import command* is currently processing the policy set definition information for policy set *set name* belonging to policy domain *domain name*.

System Action: Export or import processing for the command continues.

User Response: None.

ANR0641I *Export/import command: **Processing management class** class name in domain domain name, set set name.*

Explanation: The background export or import process to service the command *export/import command* is currently processing the management class definition information for management class *class name* belonging to policy set *set name* in policy domain *domain name*.

System Action: Export or import processing for the command continues.

User Response: None.

ANR0642I *Export/import command: **Processing backup copy group in domain** domain name, set set name, management class class name.*

Explanation: The background export or import process to service the command *export/import command* is currently processing the backup copy group definition information for management class *class name* belonging to policy set *set name* in policy domain *domain name*.

System Action: Export or import processing for the command continues.

User Response: None.

ANR0643I *Export/import command: **Processing archive copy group in domain** domain name, set set name, management class class name.*

Explanation: The background export process to service the command *export/import command* is currently processing the archive copy group definition information for management class *class name* belonging to policy set *set name* in policy domain *domain name*.

System Action: Export processing for the command continues.

User Response: None.

ANR0644I *Export command: **Processing copy group of unknown type in domain** domain name, set set name, management class class name.*

Explanation: The background export or import process to service the command *export command* is currently processing copy group definition information for management class *class name* belonging to policy set *set name* in policy domain *domain name*. The type of copy group being processed is unknown.

System Action: Export or import processing for the command continues. The import or export process assumes that the copy group is a backup copy group.

User Response: After policy definitions are imported, use the QUERY MGMTCLASS and QUERY COPYGROUP commands to query the server definitions for management class *class name* to ensure that the copy groups defined have the desired attributes and types. Alternatively, the copy group can be deleted and defined with the correct type, and then the export command can be issued again.

ANR0645I *Export/import command: Processing schedule schedule name in domain domain name.*

Explanation: The background export or import process to service the command *export/import command* is currently processing the schedule definition information for schedule *schedule name* belonging to policy domain *domain name*.

System Action: Export or import processing for the command continues.

User Response: None.

ANR0646I *Export/import command: message*

Explanation: The background export or import process to service the command *export/import command* has received the message *message* from the server.

System Action: Export or import processing for the command continues, but errors may have been encountered.

User Response: Examine the documentation for the message *message* and resolve the problem reported.

ANR0647I **Cancel in progress**

Explanation: The export or import operation has been canceled and will end when resources have been freed for the background process. This message may be displayed in response to a QUERY PROCESS command for an export or import operation.

System Action: Server operation continues.

User Response: None.

ANR0648I **Have copied the following:**

Explanation: The export or import operation has copied the number and types of objects displayed. This message may be displayed in response to a QUERY PROCESS command for an export or import operation.

System Action: Server operation continues.

User Response: None.

ANR0649I *Import command: Domain domain name does not exist - the system will attempt to import node node name to domain STANDARD.*

Explanation: The background import process to service the command *import command* is currently processing client node *node name*. This node was assigned to domain *domain name* at the time of export. However, domain *domain name* does not exist on the server to which the import is being performed.

System Action: Import processing continues, but node *node name* will be assigned to domain STANDARD during import unless one of the following conditions exist:

- Preview=Yes
- Node *node name* is already registered and Replacedefs=No
- Domain STANDARD does not exist

User Response: If Preview=Yes, consider defining domain *domain name* before nodes are actually imported. Otherwise, domain *domain name* can be created after the node is imported and the UPDATE NODE command can be used to assign the node to domain *domain name*.

ANR0650W **IMPORT: Archive copygroup *copy group name* in management class *management class name* for domain *domain name* is not defined, default management class will be used.**

Explanation: During import processing, the server finds that a management class or copy group bound to an archive file being imported does not exist in the active policy set for the domain to which the node is assigned.

System Action: The default management class for the node's policy domain is bound to the archive file and import processing continues.

User Response: If you want to define the missing management class, an authorized administrator may cancel the import operation, define the missing management class or copy group for the domain, and process the import operation again.

ANR0651W **IMPORT: Backup copygroup *copy group name* in management class *management class name* for domain *domain name* is not defined, default management class will be used.**

Explanation: During import processing, the server finds that a management class or copy group bound to a backup file being imported does not exist in the active policy set for the domain to which the node is assigned.

System Action: The default management class for the node's policy domain is bound to the backup file copy and import processing continues.

User Response: If you want to define the missing management class, an authorized administrator may cancel the import operation, define the missing management class or copy group for the domain, and process the import operation again.

ANR0652W

IMPORT: Archive copygroup not found for default management class in domain *domain name* - archive files bound to management class *management class name* in this domain cannot be imported.

Explanation: During import processing, the server finds that a management class or copy group bound to an archive file being imported does not exist in the active policy set for the domain to which the node is assigned. When trying to rebind the archive file to the default management class for the domain, the server finds that an archive copy group is not defined for the default management class.

System Action: The file is not imported; import processing continues.

User Response: If you want to define the missing copy group, an authorized administrator may cancel the import operation, define the missing management class or copy group for the domain, and process the import operation again.

ANR0653W

IMPORT: Backup copygroup not found for default management class in domain *domain name* - backup files bound to management class *management class name* in this domain cannot be imported.

Explanation: During import processing, the server finds that a management class or copy group bound to a backup file being imported does not exist in the active policy set for the domain to which the node is assigned. When trying to rebind the backup file to the default management class for the domain, the server finds that a backup copy group is not defined for the default management class.

System Action: The file is not imported; import processing continues.

User Response: If you want to define the missing copy group, an authorized administrator may cancel the import operation, define the missing management class or copy group for the domain, and process the import operation again.

ANR0655W

Command: Retrieve or restore failed - file was deleted from data storage during retrieval.

Explanation: The server ends a file retrieval operation for the specified command because the file has been deleted from data storage by another process before retrieval is complete.

System Action: The server ends the command and continues operation.

User Response: Contact your administrator to find out if DELETE FILESPACE, DELETE VOLUME, or inventory expiration processes are running; these processes

can delete data storage files during retrieval. Reissue the command after these processes have been completed or canceled.

ANR0656W

*Export/import command: **Skipped** archive number **archive files**, backup number **backup files**, and spacemg number **space managed files**.*

Explanation: The background export or import process to service the command *export/import command* skipped *archive number* archive file copies, *backup number* backup file copies, and *spacemg number* space-managed files from either the server database to export media or from import media into the server database. Data is not actually moved if *Preview=Yes* is specified in the command *export/import command*.

System Action: Export or import processing for the command completes. Server operation continues.

User Response: Check previous messages for the names of the files that were not exported or imported, and problem determination information.

ANR0657W

*Export command: **Invalid authorization rule type rule type encountered for file space** filespace name **in node** node name - both backup and archive will be assumed during import.*

Explanation: During import processing, the server encounters an invalid file space authorization rule type for the indicated file space and node.

System Action: Server operation continues.

User Response: After import processing is completed, ask the user of node *node name* to query the access rules and ensure that they are specified as desired. The user should correct any rules that grant access to objects that the user does not want others to access.

ANR0658W

*Export command: **The password for administrator** administrator name **could not be obtained. The value** 'password value' **will be assumed: The system administrator may wish to change this password after importing administrator** administrator name.*

Explanation: During processing of command *export command*, the export processor cannot obtain the password for administrator *administrator name*. The value *password value* is assigned as the password for the administrator on the export media.

System Action: Processing of the command continues.

User Response: After the administrative definition has been imported to another server, an authorized administrator should use the UPDATE ADMIN command to set a password for the administrator *administrator name*.

ANR0659W *Export command: The password for node node name could not be obtained. The value 'password value' will be assumed: The system administrator may wish to change this password after importing node node name.*

Explanation: During processing of command *export command*, the export processor cannot obtain the password for client node *node name*. The value *password value* is assigned as the password for the client node on the export media.

System Action: Processing of the command continues.

User Response: After the client node definition has been imported to another server, an authorized administrator should use the UPDATE NODE command to set a password for the node *node name*.

ANR0660E *Command: Insufficient memory available in accessing data storage.*

Explanation: The server encounters a memory shortage in accessing data storage during command *command* operation.

System Action: The command *command* operation ends and server operation continues.

User Response: Allocate additional storage to the server. For details, issue HELP MEMORY to display the information online or see “Appendix A. Allocating Additional Server Memory”.

ANR0661E *Command: Internal error encountered in accessing data storage.*

Explanation: The server encounters an internal error in accessing data storage while processing command *command* operation.

System Action: The command *command* operation is ended and server operation continues.

User Response: Use the QUERY ACTLOG command to examine messages prior to this error to determine the cause of the data storage failure. If the failure can be found and resolved, reissue the command *command* operation. If the failure cannot be found, contact your service representative for assistance in resolving the problem.

ANR0662E *Command: Output error encountered in accessing data storage.*

Explanation: The command *command* operation ends because an error has been encountered by the server in writing to a device. Possible reasons include:

- I/O error writing to a device
- No storage space.

System Action: The command *command* operation ends and server operation continues.

User Response: Query the activity log to find messages preceding this one to determine the cause of the error. After the problem is corrected, the command can be retried.

ANR0663E

Command: **Data transfer was interrupted in accessing data storage.**

Explanation: The database transaction associated with command *command* operation failed because data transfer to or from data storage was interrupted by an external event.

System Action: The command *command* operation is ended and server operation continues.

User Response: Examine the messages issued prior to this message to determine why the data transfer was interrupted. Reissue the command *command* after the problem is resolved.

ANR0664E

Export/import command: **Media not accessible in accessing data storage.**

Explanation: The server ends a transaction for an export or import operation because storage volumes are not available in the storage pools in which the client files are to be stored.

System Action: The server ends the export or import operation and server operation continues.

User Response: An authorized administrator can issue the DEFINE VOLUME command to add storage to one or more storage pools in the storage hierarchy. The VARY ONLINE command can be used to vary offline storage volumes online in the storage hierarchy to make them available for file storage.

ANR0665W

Import command: **Transaction failed - storage pool *pool name* is not defined.**

Explanation: The server rolls back a database update transaction for an import operation because the destination specified for a management class copy group specifies the named storage pool, but that storage pool does not exist.

System Action: The import operation is ended and server operation continues.

User Response: An administrator with policy authority over the client policy domain must correct management class definitions so that copy group destinations refer to defined storage pools, or the specified storage pool must be created by an authorized administrator.

ANR0666W *Import command: Transaction failed - object excluded by size in storage pool pool name and all successor pools.*

Explanation: The server ends a database update transaction for an import operation because the size of an imported file is larger than that allowed in the storage pool specified in the bound management class copy group for the file. No successor storage pools to the one specified on the copy group can accept the large file.

System Action: The import operation is ended and server operation continues.

User Response: The maximum file size for one or more of the storage pools in the storage hierarchy can be increased to accommodate the file. An authorized administrator can increase the MAXSIZE parameter by issuing the UPDATE STGPOOL command. Alternatively, the appropriate copygroup definition can be updated so that a different destination storage pool is specified.

ANR0667W *Import command: Transaction failed - no space available in storage pool pool name and all successor pools.*

Explanation: The server ends an import operation because the storage pool specified in a management class copy group does not contain enough free space to hold the files being imported. Successor storage pools to the one specified on the copy group do not contain enough free space.

System Action: The import operation is ended and server operation continues.

User Response: An authorized administrator can issue the DEFINE VOLUME command to add storage to one or more storage pools in the storage hierarchy.

ANR0668W *Export/import command: Transaction failed - error on output storage device.*

Explanation: The server ends an export or import operation for the specified session because an I/O error has been encountered by the server in writing to a device.

System Action: The server ends the export or import operation and server operation continues.

User Response: Query the activity log to find messages preceding this one that specify the device that is failing. Storage pool volumes can be varied offline (by using the VARY OFFLINE command), or the server may need to be shut down by using the HALT command to correct the hardware problem. After the problem is corrected, the client may be able to try the operation again.

ANR0669W *Export/import command: Transaction failed - data transfer interrupted.*

Explanation: The database transaction associated with an export or import operation failed because data transfer to or from data storage was interrupted by an external event.

System Action: The export or import operation is ended and server operation continues.

User Response: Examine the messages issued prior to this message to determine why the data transfer was interrupted. Attempt the export/import operation again after problem is resolved.

ANR0670W *Export/import command: Transaction failed - storage media inaccessible.*

Explanation: The server ends a transaction for an export or import operation because storage volumes are not available in the storage pools in which the client files are to be stored.

System Action: The server ends the export or import operation and server operation continues.

User Response: An authorized administrator can issue the DEFINE VOLUME command to add storage to one or more storage pools in the storage hierarchy. The VARY ONLINE command can be used to vary offline storage volumes online in the storage hierarchy to make them available for file storage.

ANR0671W *Export/import command: Transaction failed - sufficient recovery log space is not available.*

Explanation: The server ends a database update transaction for an export or import operation because sufficient log space is not available on the server.

System Action: The server ends the export or import operation and server operation continues.

User Response: An authorized administrator can issue the DEFINE LOGVOLUME command to add volumes for use by the log, and the EXTEND LOG command to extend the size of the log so that the new volumes are used.

ANR0672W *Export/import command: Transaction failed - sufficient database space is not available.*

Explanation: The server ends a database update transaction for an export or import operation because sufficient database space is not available on the server.

System Action: The server ends the export or import operation and server operation continues.

User Response: An authorized administrator can issue the DEFINE DBVOLUME command to add volumes for use by the database, and the EXTEND DB command to extend the size of the log so that the new volumes are used.

ANR0673W

Export/import command: **Data storage retrieve or restore failed - data integrity error detected.**

Explanation: The server ends an export or import operation because an internal database integrity error has been encountered on the server.

System Action: The server ends the export or import operation and continues operation.

User Response: Contact your service representative.

ANR0674W

Export command: **Retrieve failed - error on input storage device.**

Explanation: The server ends an export operation for the specified session because an I/O error has been encountered by the server in reading from a device. The object for which the I/O was issued is reported in a later message.

System Action: Export processing skips this file, and continues operation.

User Response: Query the activity log to find messages preceding this one that specify the device that is failing. Storage pool volumes can be varied offline (by using the VARY OFFLINE command), or the server may need to be shut down with the HALT command to correct the hardware problem.

ANR0675E

EXPORT/IMPORT: Error starting the Export/Import Session.

Explanation: The server export/import process is not able to start the session to export information from the server or import information into the server.

System Action: The export or import process ends and server operation continues.

User Response: Allocate additional storage to the server. For details, issue HELP MEMORY to display the information online or see “Appendix A. Allocating Additional Server Memory”.

ANR0676E

EXPORT/IMPORT: Invalid Communications Buffer State in SEND.

Explanation: The server export/import process encounters a communications error in transferring information to or from the server.

System Action: The export or import process ends and server operation continues.

User Response: Contact your service representative.

ANR0677E	<p>EXPORT/IMPORT: Invalid Communications Buffer State in RECEIVE.</p> <p>Explanation: The server export/import process encounters a communications error in transferring information to or from the server.</p> <p>System Action: The export or import process ends and server operation continues.</p> <p>User Response: Contact your service representative.</p>
ANR0678E	<p>EXPORT/IMPORT: Communications Failure in Sending "verb type" verb.</p> <p>Explanation: The server export/import process encounters a communications error in using the <i>verb type</i> verb to transfer information to or from the server.</p> <p>System Action: The export or import process ends and server operation continues.</p> <p>User Response: Contact your service representative.</p>
ANR0679E	<p>EXPORT/IMPORT: Communications Failure in Receiving "verb type" verb.</p> <p>Explanation: The server export/import process encounters a communications error in using the <i>verb type</i> verb to transfer information to or from the server.</p> <p>System Action: The export or import process ends and server operation continues.</p> <p>User Response: Contact your service representative.</p>
ANR0681E	<p>EXPORT/IMPORT: Authentication Failure.</p> <p>Explanation: The server export/import process encounters an authentication error in transferring information to or from the server.</p> <p>System Action: The export or import process ends and server operation continues.</p> <p>User Response: Contact your service representative.</p>
ANR0682E	<p>EXPORT/IMPORT: Communications Failure in Sending "verb type" verb (command).</p> <p>Explanation: The server export/import process encounters a communications error in using the <i>verb type</i> verb to issue command <i>command</i>.</p> <p>System Action: The export or import process ends and server operation continues.</p> <p>User Response: Contact your service representative.</p>
ANR0683E	<p>EXPORT/IMPORT: Receive Buffer overflow.</p> <p>Explanation: The server export/import process encounters an overflow error in transferring information to or from the server.</p>

System Action: The export or import process ends and server operation continues.

User Response: Contact your service representative.

ANR0684E **EXPORT/IMPORT: Communications failure: bad verb received** (*verb type*).

Explanation: The server encounters an invalid communications verb during export or import processing and is not able to continue processing.

System Action: The export or import process ends and server operation continues.

User Response: Contact your service representative.

ANR0685E **EXPORT/IMPORT: Internal error: Invalid table output handle detected.**

Explanation: The server export/import process encounters an internal error in transferring information to or from the server.

System Action: The export or import process ends and server operation continues.

User Response: Contact your service representative.

ANR0686E *Export/import command:* **Transaction failure - could not start database transaction.**

Explanation: During processing of command *export/import command*, a database transaction cannot be started in the server database.

System Action: Processing of the command terminates.

User Response: Examine the server messages issued prior to this message to determine the source of the error. Use the QUERY ACTLOG command to view the activity log and search for messages. If the error cannot be isolated and resolved, contact your service representative.

ANR0687E *Export/import command:* **Transaction failure - could not commit database transaction.**

Explanation: During processing of command *export/import command*, a database transaction cannot be committed to the server database.

System Action: Processing of the command ends.

User Response: Examine the server messages issued prior to this message to determine the source of the error. Use the QUERY ACTLOG command to view the activity log and search for messages. If the error cannot be isolated and resolved, contact your service representative.

ANR0688E *Export/import command: Transaction failure - commit called when no transaction started.*

Explanation: During processing of command *export/import command*, a database transaction cannot be started in the server database.

System Action: Processing of the command ends.

User Response: Examine the server messages issued prior to this message to determine the source of the error. Use the QUERY ACTLOG command to view the activity log and search for messages. If the error cannot be isolated and resolved, contact your service representative.

ANR0689W *Import command: Client platform type (platform type) for imported node node name conflicts with an existing node with the same name - the node will not be imported.*

Explanation: During import processing, the server encounters an imported node definition that has the same name as an existing node, but has a different client platform type (for example, OS/2 or AIX). Because file data may not be compatible across different client platforms, the node is not imported.

System Action: Import processing continues, and the named node is skipped by import processing.

User Response: If you want to import the named node, cancel the import process, rename the existing node to a new name by using the RENAME NODE command, and run the import again. After you have imported the node, use the RENAME NODE command to set the node names as you desire.

ANR0690E *Export/import command: Transaction failure - server aborted the transaction (abort code).*

Explanation: During processing of command *export/import command*, a database transaction cannot be committed in the server database. The reason code *abort code* is returned.

System Action: Processing of the command ends.

User Response: Examine the server messages issued prior to this message to determine the source of the error. Use the QUERY ACTLOG command to view the activity log and search for messages. If the error cannot be isolated and resolved, contact your service representative.

ANR0691E *Export command: Error abort code writing export data.*

Explanation: During processing of command *export command*, an input/output error occurs when writing the exported information to the export media.

System Action: Processing of the command ends.

User Response: Examine the server messages issued prior to this message to determine the source of the error. Use the QUERY ACTLOG command to view the activity log and search for messages. If the error cannot be isolated and resolved, contact your service representative.

ANR0692E

Command: **Out of space on sequential media, scratch media could not be mounted.**

Explanation: During command *command* processing, the process encounters an out-of-space condition writing to the sequential media. Command *command* ends when there is no more space on the sequential media for storing data and SCRATCH=NO has been specified on command *command*.

System Action: Command *command* processing ends. Server processing continues.

User Response: Reissue the command and specify SCRATCH=YES or specify additional volume names on the command.

ANR0693E

Import command: **Error abort code reading export data.**

Explanation: During processing of command *import command*, an input/output error occurs when reading the exported information from the export media.

System Action: Processing of the command ends.

User Response: Examine the server messages issued prior to this message to determine the source of the error. Use the QUERY ACTLOG command to view the activity log and search for messages. If the error cannot be isolated and resolved, contact your service representative.

ANR0694E

Import command: **Invalid record format (format code) detected on import.**

Explanation: During processing of command *import command*, an invalid record type is detected when reading the exported information from the export media.

System Action: Processing of the command ends.

User Response: Examine the server messages issued prior to this message to determine the source of the error. Use the QUERY ACTLOG command to view the activity log and search for messages. If the error cannot be isolated and resolved, contact your service representative.

ANR0695E

Export command: **Unexpected error error code encountered in receiving table output data.**

Explanation: During processing of command *export command*, an unexpected error is detected.

System Action: Processing of the command ends.

User Response: Examine the server messages issued prior to this message to determine the source of the error. Use the QUERY ACTLOG command to view the activity log and search for messages. If the error cannot be isolated and resolved, contact your service representative.

ANR0696E *Export command: Output table error encountered - 0 columns reported in the table.*

Explanation: During processing of command *export command*, an unexpected error is detected.

System Action: Processing of the command ends.

User Response: Examine the server messages issued prior to this message to determine the source of the error. Use the QUERY ACTLOG command to view the activity log and search for messages. If the error cannot be isolated and resolved, contact your service representative.

ANR0697E *Export command: Output table error encountered - not positioned to the first column in the table.*

Explanation: During processing of command *export command*, an unexpected error is detected.

System Action: Processing of the command ends.

User Response: Examine the server messages issued prior to this message to determine the source of the error. Use the QUERY ACTLOG command to view the activity log and search for messages. If the error cannot be isolated and resolved, contact your service representative.

ANR0698E *Export/import command: Invalid value for FILEDATA parameter - parameter value.*

Explanation: The value (*parameter value*) specified for the FILEDATA parameter in command *export/import command* is not a valid value for this parameter.

System Action: The command fails and server operation continues.

User Response: Reissue the command and specify a valid FILEDATA parameter. For information on valid values for the FILEDATA parameter for the command, refer to the *Administrator's Reference* for your particular platform.

-
- ANR0699E** *Export/import command: Device class DISK cannot be specified for this command.*
- Explanation:** The DEVCLASS value DISK cannot be specified for the command *export/import command*.
- System Action:** The command fails and server operation continues.
- User Response:** Reissue the command and specify a valid device class. Issue the QUERY DEVCLASS command for a list of valid device classes for the server.
-
- ANR0700E** *Export/import command: Invalid value for PREVIEW parameter - parameter value.*
- Explanation:** The value (*parameter value*) specified for the PREVIEW parameter in command *export/import command* is not a valid value for this parameter.
- System Action:** The command fails and server operation continues.
- User Response:** Reissue the command and specify a valid PREVIEW parameter. For information on valid values for the PREVIEW parameter for the command, refer to the *Administrator's Reference* for your particular platform.
-
- ANR0701E** *Export/import command: Invalid value for SCRATCH parameter - parameter value.*
- Explanation:** The value (*parameter value*) specified for the SCRATCH parameter in command *export/import command* is not a valid value for this parameter.
- System Action:** The command fails and server operation continues.
- User Response:** Reissue the command and specify a valid SCRATCH parameter. For information on valid values for the SCRATCH parameter for the command, refer to the *Administrator's Reference* for your particular platform.
-
- ANR0705E** *Export command: The VOLUMENAMES parameter must be specified when SCRATCH=NO is specified.*
- Explanation:** The SCRATCH parameter is specified as NO for the command *export command* but the VOLUMENAMES parameter is not specified. When scratch volumes are not allowed, the VOLUMENAMES parameter must be specified to indicate the volumes that can be used for the command.
- System Action:** The command fails and server operation continues.
- User Response:** Reissue the command and specify a valid VOLUMENAMES parameter. For information on valid parameter values for the command, refer to the *Administrator's Reference* for your particular platform.
-

ANR0706E *Export command: A device class must be specified unless PREVIEW=YES is specified.*

Explanation: The DEVCLASS parameter is not specified in the command *export command*. Unless PREVIEW=YES is specified, a DEVCLASS value must be specified.

System Action: The command fails and server operation continues.

User Response: Reissue the command and specify a valid device class. Issue the QUERY DEVCLASS command for a list of valid device classes for the server.

ANR0707E *Export command: The FILESPACE parameter cannot be specified.*

Explanation: The FILESPACE parameter is specified for the command *export command*, but the FILEDATA parameter is specified as NONE, or is not specified and defaults to NONE. File spaces are only copied if the FILEDATA parameter is specified with a value other than NONE.

System Action: The command fails and server operation continues.

User Response: Reissue the command and specify a valid FILEDATA parameter. For information on valid parameter values for the command, refer to the *Administrator's Reference* for your particular platform.

ANR0708E *Import command: The FILESPACE parameter cannot be specified unless the FILEDATA parameter specifies that files should be imported.*

Explanation: The FILESPACE parameter is specified for the command *import command*, but the FILEDATA parameter is specified as NONE, or is not specified and defaults to NONE. File spaces are only copied if the FILEDATA parameter is specified with a value other than NONE.

System Action: The command fails and server operation continues.

User Response: Reissue the command and specify a valid FILEDATA parameter. For information on valid parameter values for the command, refer to the *Administrator's Reference* for your particular platform.

ANR0709E *Command: No matching nodes registered in the specified domains.*

Explanation: The DOMAIN parameter has been specified for this command, but no nodes matching the node name specification are found in the domains specified.

System Action: The command fails and server operation continues.

User Response: Reissue the command and specify a valid combination of node and domain names. Use the QUERY NODE command to view the names of nodes in the domains that you are interested in exporting.

ANR0710E *Command: Unable to start background process.*

Explanation: The server command processor is not able to start a background process to perform the command *command*.

System Action: The command process ends and server operation continues.

User Response: Allocate additional storage to the server. For details, issue HELP MEMORY to display the information online or see “Appendix A. Allocating Additional Server Memory”.

ANR0711E *Import command: Unable to start import process.*

Explanation: The server import command processor is not able to start a background process to perform the import operation.

System Action: The export or import process ends and server operation continues.

User Response: Allocate additional storage to the server. For details, issue HELP MEMORY to display the information online or see “Appendix A. Allocating Additional Server Memory”.

ANR0712E *Import command: Invalid value for DATES parameter - parameter value.*

Explanation: The value (*parameter value*) specified for the DATES parameter in command *import command* is not a valid value for this parameter.

System Action: The command fails and server operation continues.

User Response: Reissue the command and specify a valid DATES parameter. For information on valid values for the DATES parameter for the command, refer to the *Administrator's Reference* for your particular platform.

ANR0713E *Import command: Invalid value for REPLACEDEFS parameter - parameter value.*

Explanation: The value (*parameter value*) specified for the REPLACEDEFS parameter in command *import command* is not a valid value for this parameter.

System Action: The command fails and server operation continues.

User Response: Reissue the command and specify a valid REPLACEDEFS parameter. For information on valid values for the REPLACEDEFS parameter for the command, refer to the *Administrator's Reference* for your particular platform.

-
- ANR0714E** *Import command: The EXTFILE device class cannot be specified when the VOLUMENAMES parameter is specified.*
- Explanation:** An invalid combination of parameters has been entered for command *import command*. The EXTFILE device class cannot be used in combination with the VOLUMENAMES parameter.
- System Action:** The command fails and server operation continues.
- User Response:** Reissue the command with the correct syntax.
-
- ANR0715E** *Import command: A device class must be specified.*
- Explanation:** The command *import command* has been specified, but does not include specification of the DEVCLASS parameter. The DEVCLASS parameter must be specified for this command.
- System Action:** The command fails and server operation continues.
- User Response:** Reissue the command and specify a valid device class. For a list of valid device classes for the server, issue the QUERY DEVCLASS command.
-
- ANR0716E** *Import command: Invalid export data detected.*
- Explanation:** The command *import command* encounters invalid data on the export media while trying to import server information.
- System Action:** The command fails and server operation continues.
- User Response:** Ensure that the mounted export tapes are in the correct order (mounted in the same order as they were mounted during export). Reissue the command, and mount the tapes in the correct order. If the VOLUMENAMES parameter has been specified, make sure that the volume names in the command are specified in the correct order.
-
- ANR0717E** *Export/import command: Preview processing terminated abnormally - communications send or receive failed.*
- Explanation:** Processing for the command *export/import command* in preview mode has been terminated when an internal communications error is encountered in the server.
- System Action:** Export/import processing is ended and server operation continues.
- User Response:** Examine the server messages issued prior to this message to determine the source of the error. Use the QUERY ACTLOG command to view the activity log and search for messages. If the error cannot be isolated and resolved, contact your service representative.
-

-
- ANR0718E** *Export/import command: Processing terminated abnormally - communications send or receive failed.*
- Explanation:** Processing for the command *export/import command* ends when an internal communications error is encountered in the server.
- System Action:** Export/import processing is ended and server operation continues.
- User Response:** Examine the server messages issued prior to this message to determine the source of the error. Use the QUERY ACTLOG command to view the activity log and search for messages. If the error cannot be isolated and resolved, contact your service representative.
-
- ANR0719E** *Export/import command: Preview processing terminated abnormally - insufficient memory.*
- Explanation:** Processing for the command *export/import command* in preview mode is ended because sufficient memory is not available on the server.
- System Action:** Export/import processing is ended and server operation continues.
- User Response:** Allocate additional storage to the server. For details, issue HELP MEMORY to display the information online or see “Appendix A. Allocating Additional Server Memory”.
-
- ANR0720E** *command: Processing terminated abnormally - insufficient memory.*
- Explanation:** Processing for the command ends because sufficient memory is not available on the server.
- System Action:** Command processing is ended and server operation continues.
- User Response:** Allocate additional storage to the server. For details, issue HELP MEMORY to display the information online or see “Appendix A. Allocating Additional Server Memory”.
-
- ANR0721E** *Export/import command: Preview processing terminated abnormally - unexpected verb received from server.*
- Explanation:** Processing for the command *export/import command* in preview mode ends when an internal communications error is encountered in the server.
- System Action:** Export/import processing ends and server operation continues.
- User Response:** Examine the server messages issued prior to this message to determine the source of the error. Use the QUERY ACTLOG command to view the activity log and search for messages. If the error cannot be isolated and resolved, contact your service representative.
-

ANR0722E *Export/import command: Processing terminated abnormally - unexpected verb received from server.*

Explanation: Processing for the command *export/import command* ends when an internal communications error is encountered in the server.

System Action: Export/import processing ends and server operation continues.

User Response: Examine the server messages issued prior to this message to determine the source of the error. Use the QUERY ACTLOG command to view the activity log and search for messages. If the error cannot be isolated and resolved, contact your service representative.

ANR0723E *Export/import command: Preview processing terminated abnormally - transaction failure.*

Explanation: Processing for the command *export/import command* in preview mode ends when a database transaction error is encountered in the server.

System Action: Export/import processing ends and server operation continues.

User Response: Examine the server messages issued prior to this message to determine the source of the error. Use the QUERY ACTLOG command to view the activity log and search for messages. If the error cannot be isolated and resolved, contact your service representative.

ANR0724E *Export/import command: Processing terminated abnormally - transaction failure.*

Explanation: Processing for the command *export/import command* ends when a database transaction error is encountered in the server.

System Action: Export/import processing ends and server operation continues.

User Response: Examine the server messages issued prior to this message to determine the source of the error. Use the QUERY ACTLOG command to view the activity log and search for messages. If the error cannot be isolated and resolved, contact your service representative.

ANR0725E *Export/import command: Preview processing terminated abnormally - authentication failure.*

Explanation: Processing for the command *export/import command* in preview mode ends when an authentication error is encountered in the server.

System Action: Export/import processing ends and server operation continues.

User Response: Examine the server messages issued prior to this message to determine the source of the error. Use the QUERY ACTLOG command to view the activity log and search for messages. If the error cannot be isolated and resolved, contact your service representative.

ANR0726E

Export/import command: Processing terminated abnormally - authentication failure.

Explanation: Processing for the command *export/import command* ends when an authentication error is encountered in the server.

System Action: Export/import processing ends and server operation continues.

User Response: Examine the server messages issued prior to this message to determine the source of the error. Use the QUERY ACTLOG command to view the activity log and search for messages. If the error cannot be isolated and resolved, contact your service representative.

ANR0727E

Export/import command: Preview processing terminated abnormally - internal error.

Explanation: Processing for the command *export/import command* in preview mode ends when an internal error is encountered in the server.

System Action: Export/import processing ends and server operation continues.

User Response: Examine the server messages issued prior to this message to determine the source of the error. Use the QUERY ACTLOG command to view the activity log and search for messages. If the error cannot be isolated and resolved, contact your service representative.

ANR0728E

Export/import command: Processing terminated abnormally - internal error.

Explanation: Processing for the command *export/import command* ends when an internal error is encountered in the server.

System Action: Export/import processing ends and server operation continues.

User Response: Examine the server messages issued prior to this message to determine the source of the error. Use the QUERY ACTLOG command to view the activity log and search for messages. If the error cannot be isolated and resolved, contact your service representative.

ANR0729E

*Import command: Syntax error from command \'*server command*\'.*

Explanation: During processing of the command *import command*, an internal syntax error is encountered in the server.

System Action: Import processing continues, but the indicated command will have no effect.

User Response: Examine the server messages issued prior to this message to determine the source of the error. Use the QUERY ACTLOG command to view the activity log and search for messages. After import processing is complete, it may be necessary to issue additional commands manually to obtain the necessary definitions.

ANR0730E

*Import command: Internal error from command \'*server command*\'*.

Explanation: Processing for the command *import command* ends when an internal command error is encountered in the server.

System Action: Import processing ends and server operation continues.

User Response: Examine the server messages issued prior to this message to determine the source of the error. Use the QUERY ACTLOG command to view the activity log and search for messages. If the error cannot be isolated and resolved, contact your service representative.

ANR0731E

*Import command: Invalid value for COMPRESSION parameter in exported data for node *node name*.*

Explanation: During preview processing of command *import command*, an invalid value is encountered for the COMPRESSION parameter for node *node name*.

System Action: Processing of the command continues. If a later command causes the data to be imported, the default or existing COMPRESSION value is used.

User Response: None. If the data is imported with a later command, verify that the correct COMPRESSION value is used for this node.

ANR0732E

*Import command: Invalid value for ARCHDELETE parameter in exported data for node *node name*.*

Explanation: During preview processing of command *import command*, an invalid value is encountered for the ARCHDELETE parameter for node *node name*.

System Action: Processing of the command continues. If a later command causes the data to be imported, the default or existing ARCHDELETE value is used.

User Response: None. If the data is imported with a later command, verify that the correct ARCHDELETE value is used for this node.

ANR0733E *Import command: Invalid value for BACKDELETE parameter in exported data for node node name.*

Explanation: During preview processing of command *import command*, an invalid value is encountered for the BACKDELETE parameter for node *node name*.

System Action: Processing of the command continues. If a later command causes the data to be imported, the default or existing BACKDELETE value is used.

User Response: None. If the data is imported with a later command, verify that the correct BACKDELETE value is used for this node.

ANR0734E *Import command: Invalid value for COMPRESSION parameter in exported data - node node name registered with default COMPRESSION value.*

Explanation: During processing of command *import command*, an invalid value is encountered for the COMPRESSION parameter for node *node name*.

System Action: Processing of the command continues, by using the default COMPRESSION value for this node.

User Response: Verify that the correct COMPRESSION value has been used for this node. Update this value, if necessary.

ANR0735E *Import command: Invalid value for ARCHDELETE parameter in exported data - node node name registered with default ARCHDELETE value.*

Explanation: During processing of command *import command*, an invalid value is encountered for the ARCHDELETE parameter for node *node name*.

System Action: Processing of the command continues, by using the default ARCHDELETE value for this node.

User Response: Verify that the correct ARCHDELETE value has been used for this node. Update this value, if necessary.

ANR0736E *Import command: Invalid value for BACKDELETE parameter in exported data - node node name registered with default BACKDELETE value.*

Explanation: During processing of command *import command*, an invalid value is encountered for the BACKDELETE parameter for node *node name*.

System Action: Processing of the command continues, by using the default BACKDELETE value for this node.

User Response: Verify that the correct BACKDELETE value has been used for this node. Update this value, if necessary.

ANR0737E *Import command: Invalid value for COMPRESSION parameter in exported data - existing COMPRESSION value for node node name was not updated.*

Explanation: During processing of command *import command*, an invalid value is encountered for the COMPRESSION parameter for node *node name*.

System Action: Processing of the command continues, by using the existing COMPRESSION value for this node.

User Response: Verify that the correct COMPRESSION value has been used for this node. Update this value, if necessary.

ANR0738E *Import command: Invalid value for ARCHDELETE parameter in exported data - existing ARCHDELETE value for node node name was not updated.*

Explanation: During processing of command *import command*, an invalid value is encountered for the ARCHDELETE parameter for node *node name*.

System Action: Processing of the command continues, by using the existing ARCHDELETE value for this node.

User Response: Verify that the correct ARCHDELETE value has been used for this node. Update this value, if necessary.

ANR0739E *Import command: Invalid value for BACKDELETE parameter in exported data - existing BACKDELETE value for node node name was not updated.*

Explanation: During processing of command *import command*, an invalid value is encountered for the BACKDELETE parameter for node *node name*.

System Action: Processing of the command continues, by using the existing BACKDELETE value for this node.

User Response: Verify that the correct BACKDELETE value has been used for this node. Update this value, if necessary.

ANR0740E *Import command: Invalid value for TYPE parameter in exported data for copy group copy group name in domain domain name, set policy set name, management class management class name - backup is assumed.*

Explanation: During processing of command *import command*, an invalid value is encountered for the TYPE parameter for copy group *copy group*, in policy domain *domain name*, policy set *policy set name*, management class *management class name*.

System Action: Processing of the command continues. Based upon other copy group parameters, a copy group type of backup is assigned.

User Response: Verify that the assigned TYPE value of backup for this copy group is correct.

ANR0741E

Import command: Invalid value for TYPE parameter in exported data for copy group *copy group name* in domain *domain name*, set *policy set name*, management class *management class name* - archive is assumed.

Explanation: During processing of command *import command*, an invalid value is encountered for the TYPE parameter for copy group *copy group*, in policy domain *domain name*, policy set *policy set name*, management class *management class name*.

System Action: Processing of the command continues. Based upon other copy group parameters, a copy group type of archive is assigned.

User Response: Verify that the assigned TYPE value of archive for this copy group is correct.

ANR0742E

Import command: Invalid value for TYPE parameter in exported data for copy group *copy group name* in domain *domain name*, set *policy set name*, management class *management class name* - this copy group will not be imported.

Explanation: During processing of command *import command*, an invalid value is encountered for the TYPE parameter for copy group *copy group*, in policy domain *domain name*, policy set *policy set name*, management class *management class name*.

System Action: Processing of the command continues. However, this copy group is not imported because a TYPE value cannot be assigned.

User Response: Manually define this copy group, if necessary.

ANR0743E

Import command: Invalid value for MODE parameter in exported data for archive copy group *copy group name* in domain *domain name*, set *policy set name*, management class *management class name*.

Explanation: During preview processing of command *import command*, an invalid value is encountered for the MODE parameter for archive copy group *copy group name*, in policy domain *domain name*, policy set *policy set name*, management class *management class name*.

System Action: Processing of the command continues. If a later command causes the data to be imported, the default or existing MODE value is used.

User Response: None. If the data is imported with a later command, verify that the correct MODE value is used for this archive copy group.

ANR0744E *Import command: Invalid value for **MODE** parameter in exported data for backup copy group copy group name in domain domain name, set policy set name, management class management class name.*

Explanation: During preview processing of command *import command*, an invalid value is encountered for the **MODE** parameter for backup copy group *copy group name*, in policy domain *domain name*, policy set *policy set name*, management class *management class name*.

System Action: Processing of the command continues. If a later command causes the data to be imported, the default or existing **MODE** value is used.

User Response: None. If the data is imported with a later command, verify that the correct **MODE** value is used for this backup copy group.

ANR0745E *Import command: Invalid value for **SERIALIZATION** parameter in exported data for archive copy group copy group name in domain domain name, set policy set name, management class management class name.*

Explanation: During preview processing of command *import command*, an invalid value is encountered for the **SERIALIZATION** parameter for archive copy group *copy group name*, in policy domain *domain name*, policy set *policy set name*, management class *management class name*.

System Action: Processing of the command continues. If a later command causes the data to be imported, the default or existing **SERIALIZATION** value is used.

User Response: None. If the data is imported with a later command, verify that the correct **SERIALIZATION** value is used for this archive copy group.

ANR0746E *Import command: Invalid value for **SERIALIZATION** parameter in exported data for backup copy group copy group name in domain domain name, set policy set name, management class management class name.*

Explanation: During preview processing of command *import command*, an invalid value is encountered for the **SERIALIZATION** parameter for backup copy group *copy group name*, in policy domain *domain name*, policy set *policy set name*, management class *management class name*.

System Action: Processing of the command continues. If a later command causes the data to be imported, the default or existing **SERIALIZATION** value is used.

User Response: None. If the data is imported with a later command, verify that the correct **SERIALIZATION** value is used for this backup copy group.

ANR0747E *Import command: Invalid value for MODE parameter in exported data - archive copy group copy group name in domain domain name, set policy set name, management class management class name defined with default MODE value.*

Explanation: During processing of command *import command*, an invalid value is encountered for the MODE parameter for archive copy group *copy group name*, in policy domain *domain name*, policy set *policy set name*, management class *management class name*.

System Action: Processing of the command continues, by using the default MODE value for this archive copy group.

User Response: Verify that the correct MODE value has been used for this copy group. Update this value, if necessary.

ANR0748E *Import command: Invalid value for MODE parameter in exported data - backup copy group copy group name in domain domain name, set policy set name, management class management class name defined with default MODE value.*

Explanation: During processing of command *import command*, an invalid value is encountered for the MODE parameter for backup copy group *copy group name*, in policy domain *domain name*, policy set *policy set name*, management class *management class name*.

System Action: Processing of the command continues, by using the default MODE value for this backup copy group.

User Response: Verify that the correct MODE value has been used for this copy group. Update this value, if necessary.

ANR0749E *Import command: Invalid value for SERIALIZATION parameter in exported data - archive copy group copy group name in domain domain name, set policy set name, management class management class name defined with default SERIALIZATION value.*

Explanation: During processing of command *import command*, an invalid value is encountered for the SERIALIZATION parameter for archive copy group *copy group name*, in policy domain *domain name*, policy set *policy set name*, management class *management class name*.

System Action: Processing of the command continues, by using the default SERIALIZATION value for this archive copy group.

User Response: Verify that the correct SERIALIZATION value has been used for this copy group. Update this value, if necessary.

ANR0750E *Import command: Invalid value for SERIALIZATION parameter in exported data - backup copy group copy group name in domain domain name, set policy set name, management class management class name defined with default SERIALIZATION value.*

Explanation: During processing of command *import command*, an invalid value is encountered for the SERIALIZATION parameter for backup copy group *copy group name*, in policy domain *domain name*, policy set *policy set name*, management class *management class name*.

System Action: Processing of the command continues, by using the default SERIALIZATION value for this backup copy group.

User Response: Verify that the correct SERIALIZATION value has been used for this copy group. Update this value, if necessary.

ANR0751E *Import command: Invalid value for MODE parameter in exported data - existing MODE value for archive copy group copy group name in domain domain name, set policy set name, management class management class name was not updated.*

Explanation: During processing of command *import command*, an invalid value is encountered for the MODE parameter for archive copy group *copy group name*, in policy domain *domain name*, policy set *policy set name*, management class *management class name*.

System Action: Processing of the command continues, by using the existing MODE value for this archive copy group.

User Response: Verify that the correct MODE value has been used for this copy group. Update this value, if necessary.

ANR0752E *Import command: Invalid value for MODE parameter in exported data - existing MODE value for backup copy group copy group name in domain domain name, set policy set name, management class management class name was not updated.*

Explanation: During processing of command *import command*, an invalid value is encountered for the MODE parameter for backup copy group *copy group name*, in policy domain *domain name*, policy set *policy set name*, management class *management class name*.

System Action: Processing of the command continues, by using the existing MODE value for this backup copy group.

User Response: Verify that the correct MODE value has been used for this copy group. Update this value, if necessary.

ANR0753E *Import command: Invalid value for SERIALIZATION parameter in exported data - existing SERIALIZATION value for archive copy group *copy group name* in domain *domain name*, set *policy set name*, management class *management class name* was not updated.*

Explanation: During processing of command *import command*, an invalid value is encountered for the SERIALIZATION parameter for archive copy group *copy group name*, in policy domain *domain name*, policy set *policy set name*, management class *management class name*.

System Action: Processing of the command continues, by using the existing SERIALIZATION value for this archive copy group.

User Response: Verify that the correct SERIALIZATION value has been used for this copy group. Update this value, if necessary.

ANR0754E *Import command: Invalid value for SERIALIZATION parameter in exported data - existing SERIALIZATION value for backup copy group *copy group name* in domain *domain name*, set *policy set name*, management class *management class name* was not updated.*

Explanation: During processing of command *import command*, an invalid value is encountered for the SERIALIZATION parameter for backup copy group *copy group name*, in policy domain *domain name*, policy set *policy set name*, management class *management class name*.

System Action: Processing of the command continues, by using the existing SERIALIZATION value for this backup copy group.

User Response: Verify that the correct SERIALIZATION value has been used for this copy group. Update this value, if necessary.

ANR0755E *Import command: Invalid value for ACTION parameter in exported data for schedule *schedule name* in domain *domain name*.*

Explanation: During preview processing of command *import command*, an invalid value is encountered for the ACTION parameter for schedule *schedule name* in policy domain *domain name*.

System Action: Processing of the command continues. If a later command causes the data to be imported, the default or existing ACTION value is used.

User Response: If the data is imported with a later command, verify that the correct ACTION value is used for this schedule.

ANR0756E *Import command: Invalid value for DURUNITS or PERUNITS parameter in exported data for schedule `schedule name` in domain `domain name`.*

Explanation: During preview processing of command *import command*, an invalid value is encountered for the DURUNITS or PERUNITS parameter for schedule *schedule name* in policy domain *domain name*.

System Action: Processing of the command continues. If a later command causes the data to be imported, the default or existing values are used for DURATION, DURUNITS, PERIOD, and PERUNITS.

User Response: If the data is imported with a later command, verify that the correct values for DURATION, DURUNITS, PERIOD, and PERUNITS are used for this schedule.

ANR0757E *Import command: Invalid value for DAYOFWEEK parameter in exported data for schedule `schedule name` in domain `domain name`.*

Explanation: During preview processing of command *import command*, an invalid value is encountered for the DAYOFWEEK parameter for schedule *schedule name* in policy domain *domain name*.

System Action: Processing of the command continues. If a later command causes the data to be imported, the default or existing DAYOFWEEK value is used.

User Response: If the data is imported with a later command, verify that the correct DAYOFWEEK value is used for this schedule.

ANR0758E *Import command: Invalid value for ACTION parameter in exported data - schedule `schedule name` in domain `domain name` defined with default ACTION value.*

Explanation: During processing of command *import command*, an invalid value is encountered for the ACTION parameter for schedule *schedule name* in policy domain *domain name*.

System Action: Processing of the command continues, by using the default ACTION value for this schedule.

User Response: Verify that the correct ACTION value has been used for this schedule. Update this value, if necessary.

-
- ANR0759E** *Import command: Invalid value for DURUNITS or PERUNITS parameter in exported data - schedule `schedule name` in domain `domain name` defined with default values for DURATION, DURUNITS, PERIOD, and PERUNITS.*
- Explanation:** During processing of command *import command*, an invalid value is encountered for the DURUNITS or PERUNITS parameter for schedule *schedule name* in policy domain *domain name*.
- System Action:** Processing of the command continues, by using the default values for DURATION, DURUNITS, PERIOD, and PERUNITS.
- User Response:** Verify that the correct values have been used for DURATION, DURUNITS, PERIOD, and PERUNITS. Update these values, if necessary.
-
- ANR0760E** *Import command: Invalid value for DAYOFWEEK parameter in exported data - schedule `schedule name` in domain `domain name` defined with default DAYOFWEEK value.*
- Explanation:** During processing of command *import command*, an invalid value is encountered for the DAYOFWEEK parameter for schedule *schedule name* in policy domain *domain name*.
- System Action:** Processing of the command continues, by using the default DAYOFWEEK value for this schedule.
- User Response:** Verify that the correct DAYOFWEEK value has been used for this schedule. Update this value, if necessary.
-
- ANR0761E** *Import command: Invalid value for ACTION parameter in exported data - existing ACTION value for schedule `schedule name` in domain `domain name` was not updated.*
- Explanation:** During processing of command *import command*, an invalid value is encountered for the ACTION parameter for schedule *schedule name* in policy domain *domain name*.
- System Action:** Processing of the command continues, by using the existing ACTION value for this schedule.
- User Response:** Verify that the correct ACTION value has been used for this schedule. Update this value, if necessary.
-

ANR0762E *Import command: Invalid value for DURUNITS or PERUNITS parameter in exported data - existing values for DURATION, DURUNITS PERIOD, and PERUNITS for schedule *schedule name* in domain *domain name* were not updated.*

Explanation: During processing of command *import command*, an invalid value is encountered for the DURUNITS or PERUNITS parameter for schedule *schedule name* in policy domain *domain name*.

System Action: Processing of the command continues, by using the existing values for DURATION, DURUNITS, PERIOD, and PERUNITS.

User Response: Verify that the correct values have been used for DURATION, DURUNITS, PERIOD, and PERUNITS. Update these values, if necessary.

ANR0763E *Import command: Invalid value for DAYOFWEEK parameter in exported data - existing DAYOFWEEK value for schedule *schedule name* in domain *domain name* was not updated.*

Explanation: During processing of command *import command*, an invalid value is encountered for the DAYOFWEEK parameter for schedule *schedule name* in policy domain *domain name*.

System Action: Processing of the command continues, by using the existing DAYOFWEEK value for this schedule.

User Response: Verify that the correct DAYOFWEEK value has been used for this schedule. Update this value, if necessary.

ANR0764E *Import command: Invalid lock status detected while importing node *node name* - this node will not be locked.*

Explanation: During processing of command *import command*, an invalid value is encountered for the lock status for node *node name*.

System Action: Processing of the command continues, but the node is not locked.

User Response: An administrator with the proper authorization must issue the LOCK NODE command, if necessary.

ANR0765E *Import command: Invalid lock status detected while importing administrator *administrator name* - this administrator will not be locked.*

Explanation: During processing of command *import command*, an invalid value is encountered for the lock status for administrator *administrator name*.

System Action: Processing of the command continues, but the administrator is not locked.

User Response: An administrator with the proper authorization must issue the LOCK ADMIN command, if necessary.

ANR0766E

Export command: Invalid value for TYPE parameter detected while exporting copy group *copy group name* in domain *domain name*, set *policy set name*, management class *management class name* - system will attempt to assign value during import.

Explanation: During processing of command *export command*, an invalid value is encountered for the TYPE parameter for copy group *copy group name*, in domain *domain name*, policy set *policy set name*, management class *management class name*.

System Action: Export processing continues, but the exported data contains an unknown TYPE value for this copy group. If this data is imported, the system attempts to assign a TYPE value based upon values for other copy group parameters.

User Response: Delete and define this copy group to eliminate the invalid data, and then restart the export command. Alternatively, use the export data with the unknown value, and the system will attempt to assign a TYPE during import processing.

ANR0767E

Export command: Invalid value for MODE parameter detected while exporting copy group *copy group name* in domain *domain name*, set *policy set name*, management class *management class name* - default or existing value is used during import.

Explanation: During processing of command *export command*, an invalid value is encountered for the MODE parameter for copy group *copy group name* in domain *domain name*, policy set *policy set name*, management class *management class name*.

System Action: Export processing continues, but the exported data contains an unknown MODE value for this copy group. If this data is imported, the default or existing MODE value is used.

User Response: Update the MODE value for this copy group and restart the export command. Alternatively, use the export data with the unknown value, and check and update the MODE value after import processing has been performed.

ANR0768E *Export command: Invalid value for **SERIALIZATION** parameter detected while exporting copy group *copy group name* in domain *domain name*, set *policy set name*, management class *management class name* - default or existing value is used during import.*

Explanation: During processing of command *export command*, an invalid value is encountered for the **SERIALIZATION** parameter for copy group *copy group name*, in domain *domain name*, policy set *policy set name*, management class *management class name*.

System Action: Export processing continues, but the exported data contains an unknown **SERIALIZATION** value for this copy group. If this data is imported, the default or existing **SERIALIZATION** value is used.

User Response: Update the **SERIALIZATION** value for this copy group and restart the export command. Alternatively, use the export data with the unknown value, and check and update the **SERIALIZATION** value after import processing has been performed.

ANR0769E *Export command: Invalid value for **ACTION** parameter detected while exporting schedule *schedule name* in domain *domain name* - default or existing value is used during import.*

Explanation: During processing of command *export command*, an invalid value is encountered for the **ACTION** parameter for schedule *schedule name* in domain *domain name*.

System Action: Export processing continues, but the exported data will contain an unknown **ACTION** value for this schedule. If this data is imported, the default or existing **ACTION** value is used.

User Response: Update the **ACTION** value for this schedule and restart the export command. Alternatively, use the export data with the unknown value, and check and update the **ACTION** value after import processing has been performed.

ANR0770E *Export command: Invalid value for **DURUNITS** parameter detected while exporting schedule *schedule name* in domain *domain name* - default or existing value is used during import.*

Explanation: During processing of command *export command*, an invalid value is encountered for the **DURUNITS** parameter for schedule *schedule name* in domain *domain name*.

System Action: Export processing continues, but the exported data contains an unknown **DURUNITS** value for this schedule. If this data is imported, the default or existing **DURUNITS** value is used.

User Response: Update the DURUNITS value for this schedule and restart the export command. Alternatively, use the export data with the unknown value, and check and update the DURUNITS value after import processing has been performed.

ANR0771E

Export command: Invalid value for PERUNITS parameter detected while exporting schedule *schedule name* in domain *domain name* - default or existing value is used during import.

Explanation: During processing of command *export command*, an invalid value is encountered for the PERUNITS parameter for schedule *schedule name* in domain *domain name*.

System Action: Export processing continues, but the exported data will contain an unknown PERUNITS value for this schedule. If this data is imported, the default or existing PERUNITS value is used.

User Response: Update the PERUNITS value for this schedule and restart the export command. Alternatively, use the export data with the unknown value, and check and update the PERUNITS value after import processing has been performed.

ANR0772E

Export command: Invalid value for DAYOFWEEK parameter detected while exporting schedule *schedule name* in domain *domain name* - default or existing value is used during import.

Explanation: During processing of command *export command*, an invalid value is encountered for the DAYOFWEEK parameter for schedule *schedule name* in domain *domain name*.

System Action: Export processing continues, but the exported data contains an unknown DAYOFWEEK value for this schedule. If this data is imported, the default or existing DAYOFWEEK value is used.

User Response: Update the DAYOFWEEK value for this schedule and restart the export command. Alternatively, use the export data with the unknown value, and check and update the DAYOFWEEK value after import processing has been performed.

ANR0773E

Export command: Invalid lock status detected while exporting administrator *administrator name* - this administrator will not be locked during import.

Explanation: During processing of command *export command*, an invalid value is encountered for the lock status for administrator *administrator name*.

System Action: Export processing continues, but the exported data contains an unknown lock status for this administrator. If this data is imported, the administrator will not be locked.

User Response: An administrator with the proper authorization must issue the LOCK NODE or UNLOCK NODE command to achieve the desired lock status, and then restart the export command. Alternatively, use the export data with the unknown status, and issue a LOCK ADMIN or UNLOCK ADMIN command after import processing has been performed.

ANR0774E *Export command: Invalid value for COMPRESSION parameter detected while exporting node node name - default or existing value is used during import.*

Explanation: During processing of command *export command*, an invalid value is encountered for the COMPRESSION parameter for node *node name*.

System Action: Export processing continues, but the exported data contains an unknown COMPRESSION value for this node. If this data is imported, the default or existing COMPRESSION value is used.

User Response: Update the COMPRESSION parameter for this node and restart the export command. Alternatively, use the export data with the unknown value, and check and update the COMPRESSION value after import processing has been performed.

ANR0775E *Export command: Invalid lock status detected while exporting node node name - this node will not be locked during import.*

Explanation: During processing of command *export command*, an invalid value is encountered for the lock status for node *node name*.

System Action: Export processing continues, but the exported data contains an unknown lock status for this node. If this data is imported, the node will not be locked.

User Response: Lock or unlock the node to achieve the desired lock status, and then restart the export command. Alternatively, use the export data with the unknown status, and lock or unlock the node after import processing has been performed.

ANR0776E *Export command: Invalid value for ARCHDELETE parameter detected while exporting node node name - default or existing value is used during import.*

Explanation: During processing of command *export command*, an invalid value is encountered for the ARCHDELETE parameter for node *node name*.

System Action: Export processing continues, but the exported data contains an unknown ARCHDELETE value for this node. If this data is imported, the default or existing ARCHDELETE value is used.

User Response: Update the ARCHDELETE parameter for this node and restart the export command. Alternatively, use the export data with the unknown value, and check and update the ARCHDELETE value after import processing has been performed.

ANR0777E

Export command: Invalid value for BACKDELETE parameter detected while exporting node *node* - default or existing value is used during import.

Explanation: During processing of command *export command*, an invalid value is encountered for the BACKDELETE parameter for node *node name*.

System Action: Export processing continues, but the exported data contains an unknown BACKDELETE value for this node. If this data is imported, the default or existing BACKDELETE value is used.

User Response: Update the BACKDELETE parameter for this node and restart the export command. Alternatively, use the export data with the unknown value, and check and update the BACKDELETE value after import processing has been performed.

ANR0778E

Command: Error encountered in accessing data storage - device class *device class name* is not defined.

Explanation: During command *command* processing, an error occurred because the specified device class is not defined.

System Action: The command *command* is ended and server operation continues.

User Response: Make sure the specified device class is defined.

ANR0779E

Command: Error encountered in accessing data storage - disk volume specified.

Explanation: During command *command* processing, an error occurred because a specified volume is a disk volume rather than a tape volume.

System Action: The command *command* is ended and server operation continues.

User Response: Make sure that all volumes specified for the command *command* are tape volumes.

ANR0780E

Export/import command: Process aborted - a server communications session could not be established.

Explanation: The server export/import process encounters an internal error in establishing an intermemory communications session with other server components.

System Action: The export or import process ends and server operation continues.

User Response: Allocate additional storage to the server. For details, issue HELP MEMORY to display the information online or see “Appendix A. Allocating Additional Server Memory”. If the error is not resolved, contact your service representative.

ANR0781E *Export/import command: Process aborted - server sign on failed.*

Explanation: The server export/import process encounters an internal error in establishing an intermemory communications session with other server components.

System Action: The export or import process ends and server operation continues.

User Response: Contact your service representative.

ANR0782E *Export/import command: Process aborted - a server data storage session could not be established (rc return code).*

Explanation: The server export/import process encounters an internal error in establishing a session with the data storage services.

System Action: The export or import process ends and server operation continues.

User Response: Examine the server messages issued prior to this message to determine the source of the error. Use the QUERY ACTLOG command to view the activity log and search for messages. If the error cannot be isolated and resolved, contact your service representative.

ANR0783E *Export/import command: Process aborted - a server data storage Export/Import stream could not be established (rc return code).*

Explanation: The server export/import process encounters an internal error in establishing a session with the data storage services.

System Action: The export or import process ends and server operation continues.

User Response: Examine the server messages issued prior to this message to determine the source of the error. Use the QUERY ACTLOG command to view the activity log and search for messages. If the error cannot be isolated and resolved, contact your service representative.

ANR0784E *Export/import command: Process aborted - internal error detected with the Export/Import level: level number.*

Explanation: The server export/import process encounters an internal error in evaluating the export/import level (SERVER, NODE, ADMIN, POLICY).

System Action: The export or import process ends and server operation continues.

User Response: Examine the server messages issued prior to this message to determine the source of the error. Use the QUERY ACTLOG command to view the activity log and search for messages. If the error cannot be isolated and resolved, contact your service representative.

ANR0785E *Import command: Invalid record type `xrecord type` read from export data.*

Explanation: The server export/import process encounters an internal error in reading data from the export media. An invalid record type of *record type* is encountered during the read operation.

System Action: The export or import process ends and server operation continues.

User Response: Examine the server messages issued prior to this message to determine the source of the error. Use the QUERY ACTLOG command to view the activity log and search for messages. If the error cannot be isolated and resolved, contact your service representative.

ANR0786E *Import command: Invalid export version `version number` in exported data.*

Explanation: The server import process encounters an internal error in reading data from the export media. An invalid export version number (*version number*) is encountered during the read operation.

System Action: The export or import process ends and server operation continues.

User Response: Examine the server messages issued prior to this message to determine the source of the error. Use the QUERY ACTLOG command to view the activity log and search for messages. If the error cannot be isolated and resolved, contact your service representative.

ANR0787E *Import command: Import of file space `filespace name` in node `node name` aborted by server (`abort reason`).*

Explanation: The server import process encounters an internal error in importing file space *filespace name* for client node *node name*. The reason code *abort reason* is encountered.

System Action: The export or import process ends and server operation continues.

User Response: Examine the server messages issued prior to this message to determine the source of the error. Use the QUERY ACTLOG command to view the activity log and search for messages. If the error cannot be isolated and resolved, contact your service representative.

ANR0788E *Import command: Error error code during import of data storage data.*

Explanation: The server import process encounters an internal data storage error. The error code *error code* is encountered.

System Action: The export or import process ends and server operation continues.

User Response: Examine the server messages issued prior to this message to determine the source of the error. Use the QUERY ACTLOG command to view the activity log and search for messages. If the error cannot be isolated and resolved, contact your service representative.

ANR0789E *Import command: Failure in normalizing transaction identifier for sending to the server.*

Explanation: The server import process encounters an internal database transaction error in importing information into the server database.

System Action: The export or import process ends and server operation continues.

User Response: Examine the server messages issued prior to this message to determine the source of the error. Use the QUERY ACTLOG command to view the activity log and search for messages. If the error cannot be isolated and resolved, contact your service representative.

ANR0790E *Import command: Error in absorbing data records.*

Explanation: The server import process encounters an internal error in importing information into the server database.

System Action: The export or import process ends and server operation continues.

User Response: Examine the server messages issued prior to this message to determine the source of the error. Use the QUERY ACTLOG command to view the activity log and search for messages. If the error cannot be isolated and resolved, contact your service representative.

ANR0791E *Export/import command: Protocol error - verb "verb type" with length verb length received, expected "expected type".*

Explanation: The server export or import process encounters an internal protocol error in exporting information from or importing information into the server database. The verb *verb type* is encountered with a length of *verb length* when a verb type of *expected type* was expected.

System Action: The export or import process ends and server operation continues.

User Response: Examine the server messages issued prior to this message to determine the source of the error. Use the QUERY ACTLOG command to view the activity log and search for messages. If the error cannot be isolated and resolved, contact your service representative.

ANR0792E

Import command: Invalid copy type encountered in an imported file space authorization rule for node *node name*, file space *filespace name* - a type of BACKUP will be assumed.

Explanation: During import processing for command *import command*, an invalid copy type is encountered for an authorization rule that grants access for file space *filespace name* on node *node name*. Authorization rules typically specify copy types of backup or archive, depending on whether backup file access or archive file access is granted by the file space owner to other users. Because the imported information for the rule is ambiguous, the server assumes that the rule is for backup data.

System Action: The import process continues.

User Response: The user for node *node name* should query the access rules for the specified node name after the import process has completed, and correct or delete any access rules that are in error or not needed.

ANR0793E

Export/import command: Preview processing terminated abnormally - error accessing data storage.

Explanation: The server encountered an internal error in accessing data storage while executing an import or export preview operation.

System Action: The export or import operation is ended and server operation continues.

User Response: Use the QUERY ACTLOG command to examine messages prior to this error to determine the cause of the data storage failure. If you find and resolve the error, retry the export or import operation. If you cannot find the error, contact your service representative for assistance in resolving the problem.

ANR0794E

Export/import command: Processing terminated abnormally - error accessing data storage.

Explanation: The server encountered an internal error in accessing data storage while executing an import or export operation.

System Action: The export or import operation is ended and server operation continues.

User Response: Use the QUERY ACTLOG command to examine messages prior to this error to determine the cause of the data storage failure. If you find and

resolve the error, retry the export or import operation. If you cannot find the error, contact your service representative for assistance in resolving the problem.

ANR0795E *Command: Error encountered in accessing data storage - invalid volume name specified.*

Explanation: The server encounters an error in accessing data storage while processing command *command*. The error occurred because an attempt has been made to access a volume with an invalid name.

System Action: The command *command* operation is ended and server operation continues.

User Response: Issue the command with a valid volume name.

ANR0796E *Command: Error encountered in accessing data storage - insufficient number of mount points available for removable media.*

Explanation: During command *command* processing, the server cannot allocate sufficient mount points.

System Action: The command *command* operation is ended and server operation continues.

User Response: If necessary, make more mount points available.

ANR0797E *Command: Error encountered in accessing data storage - required volume was not mounted.*

Explanation: During command *command* processing, a required volume cannot be mounted. The mount request may have been canceled.

System Action: The command *command* operation is ended and server operation continues.

User Response: Issue the command again and make sure the necessary volumes are accessible.

ANR0798E *Import command: Error encountered in accessing data storage - volume cannot be used.*

Explanation: During import processing, a volume has been mounted but cannot be used.

System Action: The import operation is ended and server operation continues.

User Response: Query the activity log for messages preceding this one that give additional information. Make sure a usable volume is specified and mounted.

ANR0799E *Command: Error encountered in accessing data storage - volume already in use.*

Explanation: During command *command* processing, a volume cannot be used because it is already defined in a storage pool, or has been previously used by an export, database dump, or database backup operation (as recorded in the volume history) or is in use by another process.

System Action: The command *command* operation is ended and server operation continues.

User Response: Specify a volume that is not in use or defined in a storage pool, and that has not been previously used for an export, database dump, or database backup operation as recorded in the server volume history information. Use the QUERY VOLUME command to display the names of volumes that are defined to server storage pools. Use the QUERY VOLHISTORY command to display the names of volumes that have been used for export, database dump, or database backup operations.

ANR0800I *Command: command for node node name started as process process ID.*

Explanation: A file space deletion process has started to delete one or more file spaces for the specified node. The process is assigned the ID specified in the message.

System Action: The server starts a background process to perform the operation in response to the DELETE FILESPACE command entered by an administrator.

User Response: To obtain status on the file space deletion process, issue the QUERY PROCESS command. The process may be canceled with the CANCEL PROCESS command.

ANR0801I **Delete Filespace *filespace name* for node *node name* started as process *process ID*.**

Explanation: The specified client node has started a file space deletion process (on the server) to delete one or more file spaces. The process has been assigned the ID specified in the message.

System Action: The server starts a background process to perform the operation in response to a request from the client node.

User Response: To obtain status on the file space deletion process, issue the QUERY PROCESS command. The process may be canceled by an authorized administrator using the CANCEL PROCESS command.

ANR0802I **Delete Filespace** *filespace name* **(backup/archive data) for node** *node name* **started.**

Explanation: A background server process has started (on the server) to delete the specified file space belonging to the node indicated. If a file space name is not included in the message, all file spaces belonging to the node are deleted.

System Action: The background process deletes backup and archive objects for the specified file space while server operation continues.

User Response: To obtain status on the file space deletion process, issue the QUERY PROCESS command. The process may be canceled by an authorized administrator using the CANCEL PROCESS command.

ANR0803I **Delete Filespace** *filespace name* **(backup data) for node** *node name* **started.**

Explanation: A background server process has started (on the server) to delete backup objects in the specified file space belonging to the node indicated. If a file space name is not included in the message, then the backup objects for all file spaces that belong to the node are deleted.

System Action: The background process deletes backup objects for the specified file space while server operation continues.

User Response: To obtain status on the file space deletion process, issue the QUERY PROCESS command. The process may be canceled by an authorized administrator using the CANCEL PROCESS command.

ANR0804I **Delete Filespace** *filespace name* **(archive data) for node** *node name* **started.**

Explanation: A background server process has started (on the server) to delete archive objects in the specified file space belonging to the node indicated. If a file space name is not included in the message, then the archive objects for all file spaces that belong to the node are deleted.

System Action: The background process deletes archive objects for the specified file space while server operation continues.

User Response: To obtain status on the file space deletion process, issue the QUERY PROCESS command. The process may be canceled by an authorized administrator using the CANCEL PROCESS command.

ANR0805I **Delete Filespace** *filesystem name* **canceled for node** *node name: number of objects objects deleted.*

Explanation: A background server process that has been deleting file space data for the indicated node is canceled by the CANCEL PROCESS command. The number of objects deleted before the cancel ended the operation are reported in the message.

System Action: The server process is ended and server operation continues.

User Response: No action is required. An authorized administrator can issue the DELETE FILESPACE command to delete remaining objects in the file space.

ANR0806I **Delete Filespace** *filesystem name* **complete for node** *node name: number of objects objects deleted.*

Explanation: A server process deleting file space data for the node specified has completed. The total number of objects deleted is reported in the message.

System Action: The server process is ended and server operation continues.

User Response: None.

ANR0811I **Inventory client file expiration started as process** *process ID.*

Explanation: The server has started roll-off processing to remove expired client backup and archive file copies, based on the management class policy that is bound to the files. The copy group retention and version parameters for each file's copy group are used by the server to determine if copies are to be deleted from the server. The expiration process was started as process number *process ID*, and may be queried or canceled with the QUERY PROCESS or CANCEL PROCESS commands, respectively.

System Action: The expiration process is now cancellable. Server operation continues.

User Response: None.

ANR0812I **Inventory file expiration process** *process ID* **completed: examined** *number of objects* **objects, deleting** *number of backup objects* **backup objects, number of archive objects** *archive objects, number of DB backup volumes* **DB backup volumes, and number of recovery plan files** *recovery plan files. error count* **errors were encountered.**

Explanation: Server roll-off processing has completed. The number of client objects examined and deleted, based on management class policy, are displayed in the message. A total error count is also displayed. The number of DB backup volumes deleted is based on the value specified on the SET

DRMDBBACKUPEXPIREDDAYS. The number of recovery plan files deleted is based on the value specified on the SET DRMRPFEXPIREDDAYS. Server roll-off processing deletes the DB backup volumes and recovery plan files only if DRM is licensed on the server and the volumes or plan files are created on the server to server virtual volumes.

System Action: The roll-off process is ended and server operation continues.

User Response: If the error count is not equal to 0, examine messages that may have been issued in the activity log to determine the cause for the errors.

ANR0813I

Inventory file expiration process *process ID* canceled prior to completion: examined *number of objects* objects, deleting *number of backup objects* backup objects, *number of archive objects* archive objects, *number of DB backup volumes* DB backup volumes, and *number of recovery plan files* recovery plan files. *error count* errors were encountered.

Explanation: The inventory file expiration process was canceled by an administrator. The number of objects examined and deleted prior to the cancellation are reported. A total error count is also displayed.

System Action: The server ends the file expiration process.

User Response: None.

ANR0814I

Expiration retry *retry number of maximum retries in number of seconds* seconds.

Explanation: Server roll-off processing has encountered an error in attempting to remove expired client file copies from the server database. The operation will be tried again in the number of seconds indicated.

System Action: The server waits for the number of seconds indicated and retries the file expiration operation.

User Response: Expiration retry processing occurs when the server database is full, the log is full, or sufficient server memory is not available to continue processing. Use the QUERY ACTLOG command to look for messages issued prior to this one that indicate the type of error encountered. If the server is out of database space, issue the DEFINE DBVOLUME and EXTEND DB commands to add volumes to the server database and extend the database size. If the server is out of log space, issue the DEFINE LOGVOLUME and EXTEND LOG commands to add volumes to the server log and extend the log size. If the server is low on memory, allocate additional storage to the server. For details, issue HELP MEMORY to display the information online or see "Appendix A. Allocating Additional Server Memory".

-
- ANR0815I** **Expiration retry in progress.**
- Explanation:** The server is retrying an operation during client file roll-off processing. Expiration retry processing occurs when the server database is full, the log is full, or sufficient server memory is not available to continue processing.
- System Action:** The roll-off operation is retried.
- User Response:** Use the QUERY ACTLOG command to look for messages issued prior to this one that indicate the type of error encountered. If the server is out of database space, issue the DEFINE DBVOLUME and EXTEND DB commands to add volumes to the server database and extend the database size. If the server is out of log space, issue the DEFINE LOGVOLUME and EXTEND LOG commands to add volumes to the server log and extend the log size. If the server is low on memory, allocate additional storage to the server. For details, issue HELP MEMORY to display the information online or see “Appendix A. Allocating Additional Server Memory”.
-
- ANR0816I** **Expiration retry was successful.**
- Explanation:** In accordance with management class policy, server roll-off processing has been successful in retrying a client file expiration.
- System Action:** Server roll-off processing continues.
- User Response:** None.
-
- ANR0818I** **Waiting to retry expiration because of insufficient resources.**
- Explanation:** The server inventory expiration process is waiting to retry expiration processing that failed because of insufficient memory, database, or log resources on the server.
- System Action:** Server operation continues. The expiration processing is reattempted automatically.
- User Response:** Use the QUERY ACTLOG command to examine messages issued prior to this one, which indicated the resource that is not available to the expiration process. Correct the shortage.
-
- ANR0819I** **Cancel in progress**
- Explanation:** This message is displayed in response to a QUERY PROCESS command, and indicates that an inventory expiration process has been canceled. The process will end shortly.
- System Action:** The expiration process terminates and server operation continues.
- User Response:** None.
-

ANR0820I	<p>Sorting information for <i>number</i> objects has been deleted.</p> <p>Explanation: A background server process has deleted sorting information for <i>number</i> files from the server database. This process is started during initialization to remove any sorting information which is left over from previous export operations.</p> <p>System Action: The actual backup or archive objects were not deleted, but only information used to sort these objects during the previous export operation.</p> <p>User Response: None.</p>
-----------------	---

ANR0821E	<p>Filespace identifier <i>fsId</i> is not valid.</p> <p>Explanation: The identifier assigned for a filesystem is out of range.</p> <p>System Action: The filesystem is not added.</p> <p>User Response: Contact your service representative.</p>
-----------------	---

ANR0822I	<p><i>command:</i> Filespace <i>filesystem name</i> successfully renamed to <i>new filesystem name</i> for node <i>node name</i>.</p> <p>Explanation: The filesystem specified was renamed to the new name specified for the node. This message is displayed in response to successful completion of the RENAME FILESPACE command.</p> <p>System Action: The system renames the filesystem for the node as indicated</p> <p>User Response: None.</p>
-----------------	--

ANR0823E	<p><i>command:</i> Filespace <i>filesystem name</i> cannot be renamed to <i>new filesystem name</i>, a filesystem with this name already exists for node <i>node name</i>.</p> <p>Explanation: The filesystem name specified as a target name for the command was found to already exist for the node specified. The command fails.</p> <p>System Action: Server operation continues, the command fails.</p> <p>User Response: Reissue the command with a different target filesystem name</p>
-----------------	--

ANR0824I	<p>Delete Filespace <i>filesystem name</i> (space-managed data) for node <i>node name</i> started.</p> <p>Explanation: A background server process has started (on the server) to delete space-managed objects in the specified file space belonging to the node indicated. If a file space name is not included in the message, then the space-managed objects for all file spaces that belong to the node are deleted.</p> <p>System Action: The background process deletes space-managed objects for the specified file space while server operation continues.</p>
-----------------	---

User Response: To obtain status on the file space deletion process, issue the QUERY PROCESS command. The process may be canceled by an authorized administrator using the CANCEL PROCESS command.

ANR0826I **DELETE FILESPACE** *filespace name* **for node** *node name* **encountered a transaction failure.**

Explanation: A background server process that has been deleting file space data for the indicated node encountered a transaction failure.

System Action: The server process is retried if the maximum number of retry attempts have not been exceeded.

User Response: Transaction failure usually indicates that a database deadlock was detected during filespace deletion. These deadlock conditions are sometimes encountered when multiple filespace deletion processes are running at the same time. No action is required unless the DELETE FILESPACE terminates without completing the deletion process (see message ANR0828).

ANR0827I **DELETE FILESPACE** *filespace name* **will be retried for node** *node name*.

Explanation: A filespace deletion process for the node indicated is being retried because an error was encountered.

System Action: The server process is retried.

User Response: None.

ANR0828W **DELETE FILESPACE** *filespace name* **for node** *node name* **terminated before completion due to transaction failure:** *number of objects* **objects deleted.**

Explanation: A background server process that has been deleting file space data for the indicated node is terminated prematurely because of transaction failure. The number of objects deleted before the operation ended are reported in the message.

System Action: The server process is ended and server operation continues.

User Response: Termination of this process because of transaction failure usually indicates that a database deadlock was detected during filespace deletion. These deadlock conditions are sometimes encountered when multiple filespace deletion processes are running at the same time. The command should be started again when fewer filespace deletion processes are active. An authorized administrator can issue the DELETE FILESPACE command to delete remaining files in the file space(s).

ANR0829E

Command: Invalid combination of **TYPE** and **DATA** parameters.

Explanation: The specified command has been issued with an invalid combination of the **TYPE** and **DATA** parameters. **DATA=IMAGES** can only be specified if **TYPE=ANY** or **TYPE=BACKUP**.

System Action: Server operation continues, but the command is not processed.

User Response: Issue the command and specify a valid combination of parameters.

ANR0830W

Management class *class name* in domain *domain name* used by node *node name* in file space *filespace name* is no longer active, or no longer has a BACKUP copy group: DEFAULT management class attributes will be used for expiration.

Explanation: During policy roll-off processing, the server has found a client file copy whose management class or backup copy group no longer exists.

System Action: The server obtains the **DEFAULT** management class for the specified domain and uses its backup copy group version and retention parameters to determine if file copies need to be expired.

User Response: No action is required. A policy administrator with authority over the specified domain may use the **DEFINE COPYGROUP**, **DEFINE MGMTCLASS**, and **ACTIVATE POLICY** commands to define and activate a policy set that contains definitions for the missing management class or copy group.

ANR0831W

The DEFAULT management class *class name* in domain *domain name* does not have a BACKUP copy group: GRACE PERIOD will be used for expiration.

Explanation: During policy roll-off processing, the server found a client file copy whose management class or backup copy group no longer exists. The **DEFAULT** management class for the indicated policy domain does not contain a backup copy group; therefore, the server uses the **GRACE PERIOD** retention value defined for the specified policy domain to determine if client file copies need to be expired and removed from the server database.

System Action: The server obtains the **GRACE PERIOD** retention values for the specified domain and then determines if backup file copies need to be expired.

User Response: No action is required. A policy administrator with authority over the specified domain may use the **DEFINE COPYGROUP**, **DEFINE MGMTCLASS**, and **ACTIVATE POLICY** commands to define and activate a policy set that contains definitions for the missing management class or backup copy group.

ANR0832W Management class *class name* in domain *domain name* used by node *node name* in file space *file space name* is no longer active, or no longer has an ARCHIVE copy group: DEFAULT management class attributes will be used for expiration.

Explanation: During policy roll-off processing, the server found a client file copy whose management class or archive copy group no longer exists.

System Action: The server obtains the DEFAULT management class for the specified domain and uses its archive copy group retention parameter to determine if file copies need to be expired.

User Response: No action is required. A policy administrator with authority over the specified domain may use the DEFINE COPYGROUP, DEFINE MGMTCLASS, and ACTIVATE POLICY commands to define and activate a policy set that contains definitions for the missing management class or copy group.

ANR0833W The DEFAULT management class *class name* in domain *domain name* does not have an ARCHIVE copy group: GRACE PERIOD will be used for expiration.

Explanation: During policy roll-off processing, the server found a client file copy whose management class or archive copy group no longer exists. The DEFAULT management class for the indicated policy domain does not contain an archive copy group; therefore, the server uses the GRACE PERIOD retention value defined for the specified policy domain to determine if client file copies need to be expired and removed from the server database.

System Action: The server obtains the GRACE PERIOD retention values for the specified domain and then determines if archive file copies need to be expired.

User Response: No action is required. A policy administrator with authority over the specified domain may use the DEFINE COPYGROUP, DEFINE MGMTCLASS, and ACTIVATE POLICYSET commands to define and activate a policy set that contains definitions for the missing management class or backup copy group.

ANR0834W Inventory client file expiration cannot start because of insufficient memory - will retry in *number of seconds* seconds.

Explanation: The server inventory expiration process is pausing to retry an operation that failed because sufficient memory is not available on the server.

System Action: Server operation continues; the expiration process will be retried after the stated delay.

User Response: Allocate additional storage to the server. For details, issue HELP MEMORY to display the information online or see “Appendix A. Allocating Additional Server Memory”.

ANR0835W Management class *class name* in domain *domain name* is no longer active, or no longer has a **BACKUP** copy group, or no longer has an **ARCHIVE** copy group. **DEFAULT** management class used to delete *number of backup files* backup files and *number of archive files* archive files. Retention grace period used to delete *number of backup files* backup files and *number of archive files* archive files.

Explanation: During policy roll-off processing, the server found a management class or backup copy group or archive copy group that no longer exists. When a management class or backup copy group no longer exists, the number of backup client file copies that have been deleted using the default management class or the retention grace period is displayed in the message. When a management class or archive copy group no longer exists, the number of archive client files that have been deleted using the default management class or the retention grace period is displayed in the message.

System Action: The server obtains the **DEFAULT** management class for the specified domain and uses its backup copy group or archive copy group version and retention parameters to determine if file copies need to be expired. If, however, the needed backup copy group or archive copy group does not exist in the **DEFAULT** management class, the server will use the retention grace period for the domain.

User Response: No action is required. This message is only issued when expiration processing has been started with the **QUIET** option to suppress detailed messages. Expiration processing can be started without the **QUIET** option to see the detailed messages which will indicate specific node and filespaces and will further distinguish between backup and archive copy groups. A policy administrator with authority over the specified domain may use the **DEFINE COPYGROUP**, **DEFINE MGMTCLASS**, and **ACTIVATE POLICY** commands to define and activate a policy set that contains definitions for the missing management class or copy group.

ANR0836W No query restore processing session *session id* for node *node name* and *filesystem name* failed to retrieve file *high-level file name*/*low-level file name* - file being skipped.

Explanation: The no query restore processing for the session listed relating to the specified node name and filesystem failed to retrieve the specified file. An error occurred while retrieving this file so it will be skipped.

System Action: The no query restore operation continues.

User Response: Determine the cause of the file retrieve failure and correct it. After this situation is correct, the client can do a restore of the specific file that was skipped.

ANR0837I **The expire inventory running duration of *number of minutes* minutes has expired. The expire inventory process ends.**

Explanation: A TSM Administrator or schedule issued the command EXPIRE INVENTORY ... DURATION=xxx, where xxx is the number of minutes for the expire inventory process to run. That xxx number of minutes has been reached, so the expire inventory process ends.

System Action: The expire inventory process ends.

User Response: None.

ANR0838I *Command: Archive directory cleanup job Job ID started as background process process ID.*

Explanation: An archive directory cleanup job started under the indicated background server process with the indicated process identifier.

System Action: Server processing continues.

User Response: None.

ANR0839E *Command: There are no restartable jobs. Job Job ID not found.*

Explanation: A QUERY ARCHDIRCLEAN command was issued but no archive directory cleanup jobs were found. The jobid is 0 if a specific job id was specified on the Query command.

System Action: Server processing continues.

User Response: None.

ANR0840I *Command: Archive directory cleanup job Job ID started as foreground process process ID.*

Explanation: An archive directory cleanup job started under the indicated foreground server process with the indicator process identifier.

System Action: Server processing continues.

User Response: None.

ANR0841I (*Job ID*): **Skipping node *node ID*; node being cleaned by job *Other Job ID*.**

Explanation: The indicated archive directory cleanup job is skipping the indicated node because a different archive directory cleanup job (as specified) is working on the same node.

System Action: Server processing continues.

User Response: None.

ANR0842I

Command: (*Job ID*): **Archive cleanup was cancelled - number of nodes nodes processed, last node was last node.**

Explanation: The indicated archive directory cleanup job was cancelled. Prior to cancellation, the indicated number of nodes were processed. The last processed node is also displayed.

System Action: The archive cleanup operation ends. Server processing continues.

User Response: The archive directory cleanup may be restarted by specifying the JOBID parameter on the CLEAN ARCHDIRectories command.

ANR0843I

Command: **Archive directory cleanup job Job ID completed successfully number of nodes nodes were processed.**

Explanation: An archive directory cleanup job completed successfully. The job identifier and the number of nodes that were processed are displayed.

System Action: The archive directory cleanup operation ends.

User Response: None.

ANR0844E

Job ID: Skipping node node name - node not found.

Explanation: The indicated nodename was not processed by the indicated archive directory cleanup job. The node was not found by the time the job got around to working on it.

System Action: The node is skipped. Other nodes are processed.

User Response: None.

ANR0845I

Job ID: Skipping node node name - is not a backup/archive node.

Explanation: The indicated nodename was not processed by the indicated archive directory cleanup job. The node was not a backup/archive client node.

System Action: The node is skipped. Other nodes are processed.

User Response: None.

ANR0846I

Job ID: Deleted (objIdHi.objIdHi) for node (Node name) fsId(File Space Id hl(Dir Name Part 1) ll(Dir Name Part 2) descr(Dir Description) .

Explanation: The indicated archive directory cleanup job deleted a duplicate directory entry. Information from the data base about the duplicate entry is

displayed, including the two part object identifier, node name, file space identifier, two part directory name and the description from the archive information.

System Action: The entry is deleted. Processing continues.

User Response: None.

ANR0847I *Job ID: Found directory (objldHi.objldHi) for node (Node name) filesystem(File Space hl(Dir Name Part 1) ll(Dir Name Part 2) descr(Dir Description).*

Explanation: The indicated archive directory cleanup job found a duplicate directory entry. Information from the data base about the duplicate entry is displayed, including the two part object identifier, node name, file space name, two part directory name and the description from the archive information. The duplicate directory will be deleted if the FIX=YES parameter of the CLEAN ARCHDIR command is specified. Since FIX=NO was specified or defaulted, the duplicate directory is not removed.

System Action: The entry is not deleted. Processing continues.

User Response: None.

ANR0848W *Expiration failed to delete file type file file name for node node name and filesystem filesystem name - file will be skipped.*

Explanation: The expiration process was unable to delete the indicated file. The file will be skipped by expiration.

System Action: The expiration process continues.

User Response: Re-try expiration to determine if the cause of the deletion failure was an intermittent problem or if it is a permanent problem. If after a subsequent expiration attempt the file still is not deleted, please contact your service representative.

ANR0849E *Command: Not permitted for node Node Name - node of type SERVER.*

Explanation: The indicated DELETE FILESPACE process is not started because the node specified is of NODETYPE=SERVER. A DELETE FILESPACE may only be processed for nodes of this type with the TYPE=SERVER parameter specified.

System Action: The DELETE FILESPACE command is ended and server processing continues.

User Response: If this filesystem must be deleted, Reissue the command with the TYPE parameter set to TYPE=SERVER. Please use caution when using the TYPE=SERVER parameter as this can impact the availability of data for the server that owns these files.

ANR0850E *Command: Cannot Start process name Process.*

Explanation: The indicated DELETE FILESPACE process cannot be started on the server.

System Action: The DELETE FILESPACE command is ended and server processing continues.

User Response: This usually indicates that sufficient server memory is not available on the server. Allocate additional storage to the server. For details, issue HELP MEMORY to display the information online or see “Appendix A. Allocating Additional Server Memory”.

ANR0851E **Cannot start delete file space thread for node *node name*.**

Explanation: The indicated DELETE FILESPACE process cannot be started on the server. Sufficient memory on the server may not be available.

System Action: The DELETE FILESPACE command is ended and server processing continues.

User Response: Allocate additional storage to the server. For details, issue HELP MEMORY to display the information online or see “Appendix A. Allocating Additional Server Memory”.

ANR0852E *Command: No matching file spaces found for node *node name*.*

Explanation: The server did not find any file spaces for the node indicated matching the names specified in the command.

System Action: The server ends the command.

User Response: Enter the command with file space names that refer to defined file spaces for the specified node. Note that file space names are case sensitive. Enter them by using exactly the same uppercase and lowercase characters that match the file space name defined on the server. Use the QUERY FILESPACE command to determine which file spaces are defined for a node on the server.

ANR0853E **Transaction failed in file space deletion, DELETE FILESPACE process aborted.**

Explanation: A database transaction fails while the server is deleting file space data.

System Action: The server ends the file space deletion process.

User Response: Examine the server messages issued prior to this message to determine the source of the error. Issue the QUERY ACTLOG command to view the activity log and search for messages. If the error cannot be isolated and resolved, contact your service representative.

ANR0854E Inventory file space query failure, DELETE FILESPACE process aborted.

Explanation: The server encounters an error in querying the inventory database during a file space deletion process.

System Action: The server ends the file space deletion process.

User Response: Examine the server messages issued prior to this message to determine the source of the error. Issue the QUERY ACTLOG command to view the activity log and search for messages. If the error cannot be isolated and resolved, contact your service representative.

ANR0855E Server LOG space exhausted, DELETE FILESPACE process aborted.

Explanation: Insufficient server log space has been encountered during file space deletion processing.

System Action: The server ends the file space deletion process.

User Response: To increase the amount of log space available to the server, an authorized administrator can add log volumes by using the DEFINE LOGVOLUME command, and can extend the size of the log by using the EXTEND LOG command.

ANR0856E Server database space exhausted, DELETE FILESPACE process aborted.

Explanation: Insufficient server database space has been encountered during file space deletion processing.

System Action: The server ends the file space deletion process.

User Response: To increase the amount of database space available to the server, an authorized administrator can add log volumes using the DEFINE DBVOLUME command and can extend the size of the database using the EXTEND DB command.

ANR0857E Data storage session failure, DELETE FILESPACE process aborted.

Explanation: The server encounters an error accessing data storage during file space deletion processing.

System Action: The server ends the file space deletion process.

User Response: Examine the server messages issued prior to this message to determine the source of the error. Issue the QUERY ACTLOG command to view the activity log and search for messages. If the error cannot be isolated and resolved, contact your service representative.

ANR0858E Inventory object search failure, DELETE FILESPACE process aborted.

Explanation: The server encounters an error accessing the inventory database during file space deletion processing.

System Action: The server ends the file space deletion process.

User Response: Examine the server messages issued prior to this message to determine the source of the error. Issue the QUERY ACTLOG command to view the activity log and search for messages. If the error cannot be isolated and resolved, contact your service representative.

ANR0859E Data storage object erasure failure, DELETE FILESPACE process aborted.

Explanation: The server encounters an error in removing file copies from data storage during file space deletion processing.

System Action: The server ends the file space deletion process.

User Response: Examine the server messages issued prior to this message to determine the source of the error. Issue the QUERY ACTLOG command to view the activity log and search for messages. If the error cannot be isolated and resolved, contact your service representative.

ANR0860E Expiration process *process ID* terminated due to internal error: examined *number of objects* objects, deleting *number of backup objects* backup objects, *number of archive objects* archive objects, *number of DB backup volumes* DB backup volumes, and *number of recovery plan files* recovery plan files. *error count* errors were encountered.

Explanation: The server encounters an internal error during file expiration processing. The number of files examined and deleted prior to the error are reported. A total error count is also displayed.

System Action: The server ends the expiration process.

User Response: Examine the server messages issued prior to this message to determine the source of the error. Issue the QUERY ACTLOG command to view the activity log and search for messages. If the error cannot be isolated and resolved, contact your service representative.

-
- ANR0861E** **Transaction failed in expiration, inventory expiration aborted.**
- Explanation:** The server encounters a database transaction failure during policy roll-off processing.
- System Action:** The server ends roll-off processing.
- User Response:** Examine the server messages issued prior to this message to determine the source of the error. Issue the QUERY ACTLOG command to view the activity log and search for messages. If the error cannot be isolated and resolved, contact your service representative.
-
- ANR0862E** **Expiration processing suspended - insufficient memory.**
- Explanation:** The server ends policy roll-off processing because sufficient server memory is not available.
- System Action:** The server ends policy roll-off processing and server operation continues.
- User Response:** Allocate additional storage to the server. For details, issue HELP MEMORY to display the information online or see “Appendix A. Allocating Additional Server Memory”.
-
- ANR0863E** **Expiration processing suspended - insufficient DB space.**
- Explanation:** The server ends policy roll-off processing because sufficient server database space is not available.
- System Action:** The server ends policy roll-off processing and server operation continues.
- User Response:** To increase the amount of database space available to the server, an authorized administrator can add database volumes by using the DEFINE DBVOLUME command and can extend the size of the database using the EXTEND DB command.
-
- ANR0864E** **Expiration processing suspended - insufficient LOG space.**
- Explanation:** The server ends policy roll-off processing because sufficient server log space is not available.
- System Action:** The server ends policy roll-off processing and server operation continues.
- User Response:** To increase the amount of log space available to the server, an authorized administrator can add log volumes by using the DEFINE LOGVOLUME command and can extend the size of the log by using the EXTEND LOG command.
-

ANR0865E

Expiration processing failed - internal server error.

Explanation: Server retry processing during policy roll-off fails.

System Action: The server ends policy roll-off processing.

User Response: Examine the server messages issued prior to this message to determine the source of the error. Issue the QUERY ACTLOG command to view the activity log and search for messages. If the server is out of database space, issue the DEFINE DBVOLUME and EXTEND DB commands to add volumes to the server database and extend the database size. If the server is out of log space, issue the DEFINE LOGVOLUME and EXTEND LOG commands to add volumes to the server log and extend the log size. If the server is low on memory, allocate additional storage to the server. For details, issue HELP MEMORY to display the information online or see "Appendix A. Allocating Additional Server Memory". If the error cannot be isolated and resolved, contact your service representative.

ANR0866E

Expiration processing retries failed - no success after *maximum retries* retries.

Explanation: Server policy roll-off processing ends because retry processing has not been successful in expiring client file copies from the server database.

System Action: The server ends policy roll-off processing and server operation continues.

User Response: Examine the server messages issued prior to this message to determine the source of the error. Issue the QUERY ACTLOG command to view the activity log and search for messages. If the server is out of database space, issue the DEFINE DBVOLUME and EXTEND DB commands to add volumes to the server database and extend the database size. If the server is out of log space, issue the DEFINE LOGVOLUME and EXTEND LOG commands to add volumes to the server log and extend the log size. If the server is low on memory, allocate additional storage to the server. For details, issue HELP MEMORY to display the information online or see "Appendix A. Allocating Additional Server Memory". If the error cannot be isolated and resolved, contact your service representative.

ANR0867E

Unable to open policy domain for node *node name* during expiration processing.

Explanation: Policy roll-off processing on the server encounters an error while obtaining policy information related to the specified node.

System Action: The server ends roll-off processing and server operation continues.

User Response: Examine the server messages issued prior to this message to determine the source of the error. Issue the QUERY ACTLOG command to view the activity log and search for messages. If the error cannot be isolated and resolved, contact your service representative.

-
- ANR0868E** **Cannot find management class name for ID** *management class ID*.
- Explanation:** Policy roll-off processing on the server encounters an error while obtaining policy information.
- System Action:** The server ends roll-off processing and server operation continues.
- User Response:** Examine the server messages issued prior to this message to determine the source of the error. Issue the QUERY ACTLOG command to view the activity log and search for messages. If the error cannot be isolated and resolved, contact your service representative.
-
- ANR0869E** **Cannot find policy domain for node** *node ID*.
- Explanation:** Policy roll-off processing on the server encounters an error while obtaining policy information related to the specified node.
- System Action:** The server ends roll-off processing and server operation continues.
- User Response:** Examine the server messages issued prior to this message to determine the source of the error. Issue the QUERY ACTLOG command to view the activity log and search for messages. If the error cannot be isolated and resolved, contact your service representative.
-
- ANR0870E** **Cannot find node name for node** *node ID*.
- Explanation:** Policy roll-off processing on the server encounters a database error in obtaining information for a client node.
- System Action:** The server ends roll-off processing and server operation continues.
- User Response:** Examine the server messages issued prior to this message to determine the source of the error. Issue the QUERY ACTLOG command to view the activity log and search for messages. If the error cannot be isolated and resolved, contact your service representative.
-
- ANR0871E** **Cannot find file space name for node** *node ID*, **file space** *file space ID*.
- Explanation:** Policy roll-off processing on the server encounters a database error in obtaining information for a client node.
- System Action:** The server ends roll-off processing and server operation continues.
- User Response:** Examine the server messages issued prior to this message to determine the source of the error. Issue the QUERY ACTLOG command to view the activity log and search for messages. If the error cannot be isolated and resolved, contact your service representative.
-

ANR0872E **Grace Period retention for domain *domain name* could not be obtained.**

Explanation: Policy roll-off processing on the server encounters a database error in obtaining GRACE PERIOD values for the specified policy domain.

System Action: The server ends roll-off processing and server operation continues.

User Response: Examine the server messages issued prior to this message to determine the source of the error. Issue the QUERY ACTLOG command to view the activity log and search for messages. If the error cannot be isolated and resolved, contact your service representative.

ANR0873E **Invalid copy type encountered in expiring files: *copytype ID***

Explanation: Policy roll-off processing on the server encounters a database error in obtaining copy group information.

System Action: The server ends roll-off processing and server operation continues.

User Response: Examine the server messages issued prior to this message to determine the source of the error. Issue the QUERY ACTLOG command to view the activity log and search for messages. If the error cannot be isolated and resolved, contact your service representative.

ANR0874E **Backup object *object.ID* not found during inventory processing.**

Explanation: Inventory processing on the server encounters a database error in obtaining backup information in data storage.

System Action: The server ends roll-off processing, or client session(s) and server operation continues.

User Response: Examine the server messages issued prior to this message to determine the source of the error. Issue the QUERY ACTLOG command to view the activity log and search for messages. If the error cannot be isolated and resolved, contact your service representative.

ANR0875E **Archive object *object.ID* not found during expiration processing.**

Explanation: Policy roll-off processing on the server encounters a database error in obtaining archive information in data storage.

System Action: The server ends roll-off processing and server operation continues.

User Response: Examine the server messages issued prior to this message to determine the source of the error. Issue the QUERY ACTLOG command to view the activity log and search for messages. If the error cannot be isolated and resolved, contact your service representative.

-
- ANR0876E** **Data storage erasure failed during expiration processing.**
- Explanation:** Policy roll-off processing on the server encounters a database error while deleting information from data storage.
- System Action:** The server ends roll-off processing and server operation continues.
- User Response:** Examine the server messages issued prior to this message to determine the source of the error. Issue the QUERY ACTLOG command to view the activity log and search for messages. If the error cannot be isolated and resolved, contact your service representative.
-
- ANR0877E** **Copy type not backup for object *object.ID*.**
- Explanation:** Policy roll-off processing on the server encounters a database error in accessing inventory information.
- System Action:** The server ends roll-off processing and server operation continues.
- User Response:** Examine the server messages issued prior to this message to determine the source of the error. Issue the QUERY ACTLOG command to view the activity log and search for messages. If the error cannot be isolated and resolved, contact your service representative.
-
- ANR0878E** **Entry for backup object *object.ID* not found.**
- Explanation:** Policy roll-off processing on the server encounters a database error in accessing inventory information.
- System Action:** The server ends roll-off processing and server operation continues.
- User Response:** Examine the server messages issued prior to this message to determine the source of the error. Issue the QUERY ACTLOG command to view the activity log and search for messages. If the error cannot be isolated and resolved, contact your service representative.
-
- ANR0879E** **Error opening inventory file space query.**
- Explanation:** Policy roll-off processing on the server encounters a database error in accessing inventory information.
- System Action:** The server ends roll-off processing and server operation continues.
- User Response:** Examine the server messages issued prior to this message to determine the source of the error. Issue the QUERY ACTLOG command to view the activity log and search for messages. If the error cannot be isolated and resolved, contact your service representative.
-

ANR0880E	<p><i>Filespace command: No matching file spaces.</i></p> <p>Explanation: The server did not find any file space names matching the specifications entered in the <i>filespace command</i>.</p> <p>System Action: Server operation continues.</p> <p>User Response: Use the QUERY FILESPACE command to determine which file spaces are defined on the server. Note, that file space names are case sensitive. Reissue the file space command and specify the proper file space name (in proper case).</p>
<hr/>	
ANR0881E	<p>Policy Error : the GRACE PERIOD archive retention value could not be obtained for domain <i>domain ID</i> during client inventory processing.</p> <p>Explanation: The server encounters an internal error in accessing policy information.</p> <p>System Action: The operation is ended and server operation continues.</p> <p>User Response: Contact your service representative.</p>
<hr/>	
ANR0882E	<p>Policy Error: Unable to open policy domain for node <i>node name</i> during client inventory query processing.</p> <p>Explanation: The server encounters an internal error in accessing policy information.</p> <p>System Action: The client operation is ended and server operation continues.</p> <p>User Response: Contact your service representative.</p>
<hr/>	
ANR0883E	<p>Cannot obtain node name for node <i>node ID</i>.</p> <p>Explanation: The server encounters an internal error in accessing client node information.</p> <p>System Action: The operation is ended and server operation continues.</p> <p>User Response: Contact your service representative.</p>
<hr/>	
ANR0884E	<p>Error code during deletion of sorting information for <i>number</i> objects.</p> <p>Explanation: A background server process encountered an internal error after deleting sorting information for <i>number</i> files from the server database. This process is started during initialization to remove any sorting information which is left over from previous export operations.</p> <p>System Action: The backup or archive objects were not deleted. Only the information used to sort these objects during the previous export operation was</p>

deleted. The background process was terminated before all sorting information had been deleted. The system will not perform further export processing of file data until this problem has been resolved.

User Response: Examine the server messages issued prior to this message to determine the source of the error. Issue the QUERY ACTLOG command to view the activity log and search for messages. Then restart the server. If the error cannot be isolated and resolved, contact your service representative.

ANR0885I

Import command: Processing management class *management class name* **for domain** *domain name* **and policy set** *policy set name* **as management class** *new management class name*.

Explanation: The background import process to service the command *import command* is currently processing the policy information for management class *management class name* in domain *domain name* and policy set *policy set name*. The management class is imported under the name *new management class name*. During import processing, management classes defined as either DEFAULT or GRACE_PERIOD must be renamed so that the management class does not conflict with existing server policy conventions. Import processing is then able to import file data by using the renamed management class.

System Action: Import processing for the command continues.

User Response: None. However, an administrator may want to examine the policy definitions for *new management class name* so they are aware of the management classes that may be used if the policy set containing this management class is activated.

ANR0886E

Management class *class name* **in domain** *domain name* **used by node** *node name* **in file space** *filesystem name* **has no BACKUP copy group with id** *copy group id*; **Expiration will not be performed for files from this node and filesystem that are bound to this management class and copy group id.**

Explanation: During policy roll-off processing, the server finds a client file copy with a management class or a backup copy group that no longer exists.

System Action: The server skips the files in error.

User Response: For programming support, contact your service representative.

ANR0887E

Management class *class name* **in domain** *domain name* **used by node** *node name* **in file space** *filesystem name* **has no ARCHIVE copy group with id** *copy group id*; **Expiration will not be performed for files from this node and filesystem that are bound to this management class and copy group id.**

Explanation: During policy roll-off processing, the server finds a client file copy with a management class or an archive copy group that no longer exists.

System Action: The server skips the files in error.

User Response: For programming support, contact your service representative.

ANR0888E

SQL commands cannot be issued from the server console.

Explanation: An SQL command was issued from the server console. SQL commands cannot be issued from the server console because they may require a long time complete and the server console should be available to control other server functions.

System Action: The server ignores the command and continues processing.

User Response: Issue the SQL command from an administrative client.

ANR0889E

The server is not licensed for Central Administration functions. This includes the ability to issue SQL commands.

Explanation: An SQL command was issued but the server is not licensed to support Central Administrative functions, including SQL query support.

System Action: The server ignores the command and continues processing.

User Response: If you have purchased the Central Administration license, use the REGISTER LICENSE command to enable the license on the server. If you have not purchased the license and wish to do so, contact your service representative.

ANR0890I

Export/import command: **Processing optionset** *optionset name.*

Explanation: The background export or import process to service the command *export/import command* is currently processing optionset definition information.

System Action: Export or import processing for the command continues.

User Response: None.

ANR0891I

Export/import command: **Copied number optionset definitions.**

Explanation: The background export or import process to service the command *export/import command* copies *number* client optionset definitions from the server database to export media or from export media into the server database. Data is not moved if Preview=Yes is specified in the command *export/import command*.

System Action: Export or import processing for the command completes. Server operation continues.

User Response: None.

-
- ANR0892I** *Export command: No matching optionsets found for exporting.*
- Explanation:** The background export process does not find any client optionsets for *export command*.
- System Action:** The export process continues and no optionsets from the server.
- User Response:** None.
-
- ANR0893I** **Are you sure that you want to accept the current system date as valid ?**
- Explanation:** This message is displayed when the ACCEPT DATE command has been issued to confirm that you want to accept the date on the system as valid.
- System Action:** The command waits for you to confirm the action.
- User Response:** Specify Yes if you want to accept the system date as valid, or No if you do not want to execute the command.
-
- ANR0894I** **Current system has been accepted as valid.**
- Explanation:** This message is displayed when the ACCEPT DATE command has been issued and the date has been accepted as valid by the server.
- System Action:** The current system date is accepted as valid by the server.
- User Response:** None.
-
- ANR0895E** *Command: Cannot Start process name Process.*
- Explanation:** The indicated process cannot be started on the server.
- System Action:** The specified command is ended and server processing continues.
- User Response:** This usually indicates that sufficient server memory is not available on the server. Allocate additional storage to the server. For details, issue HELP MEMORY to display the information online or see “Appendix A. Allocating Additional Server Memory”.
-
- ANR0900I** **Processing options file *filespec*.**
- Explanation:** At server initialization, the server is reading the server options file whose name is shown in the message.
- System Action:** The server reads and processes the options in this file.
- User Response:** None.
-

ANR0901W

Invalid *option* statement found in file *filespec*.

Explanation: While processing the server options file named, the server has encountered an invalid statement. The invalid statement type is shown in the message. The lines following this message provide more information.

System Action: The server ignores the statement in error. Server initialization continues. The default value is used for any missing or ignored options.

User Response: Ignore the error, or use a text editor to correct the error and restart the server.

ANR0902W

Unsupported keyword found in file *filespec*.

Explanation: While processing the server options file named, the server has encountered an invalid keyword on an option statement. The lines following this message provide more information.

System Action: The server ignores the option statement in error. Server initialization continues. The default value is used for any missing or ignored options.

User Response: Ignore the error, or use a text editor to correct the error and restart the server.

ANR0903W

Excessive *option* statement found in file *filespec*.

Explanation: While processing the specified server options file, the server has encountered more of the named statement type than can be processed.

System Action: The server ignores the extra statement. Server initialization continues.

User Response: Ignore the error, or use a text editor to correct the error and restart the server.

ANR0904W

Duplicate *option* statement found in file *filespec*.

Explanation: While processing the server options file named, the server has encountered a duplicate statement of the type shown.

System Action: The server ignores the duplicate statement. Server initialization continues.

User Response: Ignore the error, or use a text editor to correct the error and restart the server.

-
- ANR0905W** **Options file *filespec* not found.**
- Explanation:** At server initialization, the server is unable to locate the server options file named.
- System Action:** The server uses the default values for all options. Server initialization continues.
- User Response:** If the default values are acceptable, ignore the error. Otherwise, move a valid server options file to the proper location, rename a valid options file to the proper name, or use a text editor to build the proper server options file, and then restart the server.
-
- ANR0909E** **Insufficient memory to process options file.**
- Explanation:** At server initialization, the server is unable to process the server options file due to insufficient memory.
- System Action:** Server initialization ends.
- User Response:** Restart the server with more memory available. Refer to the *Administrator's Guide* for your particular platform.
-
- ANR0915E** **Unable to open language *language name* for message formatting.**
- Explanation:** The server is unable to open the specified message repository.
- System Action:** Server initialization continues with the default message repository.
- User Response:** Ensure that a valid language is specified in the LANGUAGE option of the server options file. If a change is made to the options file, restart the server to activate changes.
-
- ANR0916I** ***Product Name* distributed by *Company* is now ready for use.**
- Explanation:** The server has completed startup processing and is now ready for use.
- System Action:** None.
- User Response:** None.
-
- ANR0917W** **Session *session number* for node *node name* (*client platform*) - in domain *domain name* failed because of policy length.**
- Explanation:** The client cannot handle very long policies.
- System Action:** The client operation is ended and server operation continues.
-

User Response: Upgrade the client to the latest level, or activate a policy set with fewer management classes.

ANR0920I **Tracing is now active to standard output.**

Explanation: In response to a TRACE START command, server trace records are being written to the standard output destination (usually the server console).

System Action: None.

User Response: None.

ANR0921I **Tracing is now active to file *file spec*.**

Explanation: In response to a TRACE START command, server trace records are being written to the file named.

System Action: None.

User Response: None.

ANR0922I **Trace ended.**

Explanation: In response to a TRACE END command, server trace records are no longer being written.

System Action: None.

User Response: None.

ANR0923E **Tracing is inactive.**

Explanation: A TRACE END command has been entered, but tracing is not active.

System Action: The command is ignored.

User Response: If tracing is desired, use the TRACE ENABLE and TRACE START commands to activate server tracing.

ANR0924E **Tracing is already active to file *file spec*.**

Explanation: A TRACE BEGIN command has been entered, but tracing is already active to the file named.

System Action: The command is ignored.

User Response: If the current trace output file is acceptable, no action is required. Otherwise use the TRACE END command to stop tracing and then reissue the TRACE BEGIN command as desired.

-
- ANR0925E** **Tracing is already active to standard output.**
- Explanation:** A TRACE BEGIN command has been entered, but tracing is already active to the standard output destination (usually the server console).
- System Action:** The command is ignored.
- User Response:** If the current trace output destination is acceptable, no action is required. Otherwise use the TRACE END command to stop tracing and then reissue the TRACE BEGIN command as desired.
-
- ANR0926E** **Missing or invalid TRACE command parameter.**
- Explanation:** The TRACE command issued contains an invalid parameter, or is missing a required parameter.
- System Action:** The command is ignored.
- User Response:** Reissue the command with the proper parameters.
-
- ANR0927E** **Unknown trace class keyword - *class*.**
- Explanation:** A TRACE ENABLE command has been entered which specifies an unknown trace class.
- System Action:** The command is ignored.
- User Response:** Reissue the TRACE command with the correct class.
-
- ANR0928E** **Unable to open trace file *file spec* for appending.**
- Explanation:** A TRACE BEGIN command specifies an output file, but the server cannot write to that file.
- System Action:** The command is ignored.
- User Response:** Check the file for proper access permissions, or reissue the TRACE command specifying a different output file.
-
- ANR0929E** **Insufficient memory to activate tracing.**
- Explanation:** A TRACE BEGIN command has been entered, but the server has insufficient memory available to activate tracing.
- System Action:** The command is ignored.
- User Response:** If tracing is required, make more memory available to the server then restart the server.
-

ANR0940I **Cancel request accepted for process *process ID*.**
Explanation: A CANCEL PROCESS command has been entered for the specified process.
System Action: None.
User Response: None.

ANR0941I ***Command: Cancel for process *process ID* is already pending.***
Explanation: A CANCEL PROCESS command has been entered for the specified process, but a cancel is already pending for that process.
System Action: The server ignores the command.
User Response: None.

ANR0942E ***Command: Process *process ID* cannot be found.***
Explanation: A CANCEL PROCESS command has been entered for the specified process, but the process is not active. Either the process has already ended or the wrong process number has been entered.
System Action: The server ignores the command.
User Response: If the wrong process number has been entered, reissue the command with the correct process number.

ANR0943E ***Command: Process *process ID* could not be canceled.***
Explanation: A CANCEL PROCESS command has been entered for the specified process, but the process specified is an automatic process, such as migration or reclamation, that cannot be canceled.
System Action: The server ignores the command.
User Response: None.

ANR0944E ***Command: No active processes found.***
Explanation: A QUERY PROCESS command has been entered, and no processes are active.
System Action: The server ignores the command.
User Response: None.

ANR0945W *DiagnosticID: Transaction transaction ID was aborted for process process ID.*

Explanation: An error is detected during transaction commit for the specified process. This message should be preceded by other messages that give additional information about the failed transaction.

System Action: The activity that generated this error fails.

User Response: Check for additional messages and eliminate the condition that caused the failed transaction. If the error cannot be isolated and resolved, contact your service representative.

ANR0960I *Process process ID waiting for mount point in device class device class name.*

Explanation: The process whose ID is shown has begun to wait for a mount point that can be used for a volume in the device class shown.

System Action: The process waits for the mount point.

User Response: Respond to any mount requests.

ANR0961I *Process process ID waiting for multiple mount points in device class device class name.*

Explanation: The process whose ID is shown has begun to wait for multiple mount points that can be used for a volume in the device class shown.

System Action: The process waits for the mount points.

User Response: Respond to any mount requests.

ANR0962I *Process process ID waiting for mount points in device classes device class name and device class name.*

Explanation: The process whose ID is shown has begun to wait for mount points that can be used for a volume in the two device classes shown.

System Action: The process waits for the mount points.

User Response: Respond to any mount requests.

ANR0963I *Process process ID waiting for mount of input volume volume name.*

Explanation: The process whose ID is shown has begun to wait for the mount of the input volume shown.

System Action: The process waits for the mount.

User Response: Respond to any mount requests.

ANR0964I	<p>Process <i>process ID</i> waiting for mount of output volume <i>volume name</i>.</p> <p>Explanation: The process whose ID is shown has begun to wait for the mount of the output volume shown.</p> <p>System Action: The process waits for the mount.</p> <p>User Response: Respond to any mount requests.</p>
ANR0965I	<p>Process <i>process ID</i> waiting for mount of scratch volume.</p> <p>Explanation: The process whose ID is shown has begun to wait for the mount of a scratch volume.</p> <p>System Action: The process waits for the mount.</p> <p>User Response: Respond to any mount requests.</p>
ANR0966I	<p>Process <i>process ID</i> waiting for access to input volume <i>volume name</i>.</p> <p>Explanation: The process whose ID is shown has begun to wait for availability of the input volume shown.</p> <p>System Action: The process waits for the volume to become available.</p> <p>User Response: None.</p>
ANR0967I	<p>Process <i>process ID</i> waiting for access to output volume <i>volume name</i>.</p> <p>Explanation: The process whose ID is shown has begun to wait for availability of the output volume shown.</p> <p>System Action: The process waits for the volume to become available.</p> <p>User Response: None.</p>
ANR0980E	<p>The server database must be audited with FIX=YES before the server can be started.</p> <p>Explanation: The server has been restarted after a DSMSERV LOADDB command processed a database image that was known to have inconsistencies. In order to bring the database back to a consistent state, you must run the AUDITDB command.</p> <p>System Action: Server initialization stops.</p> <p>User Response: Issue the DSMSERV AUDITDB FIX=YES command. For complete details on this command, refer to the <i>Administrator's Reference</i>.</p>

ANR0981E **The server database must be restored before the server can be started.**

Explanation: The server has been restarted after an incomplete RESTORE DB. In order to start the server, you must restore to the database to a consistent state using the DSMSEV RESTORE DB command.

System Action: Server initialization stops.

User Response: Issue the DSMSEV RESTORE DB command. For complete details on this command, refer to the *Administrator's Reference*.

ANR0982E **The server database must be initialized before the database can be loaded.**

Explanation: The server database must be initialized before it can be loaded with the LOADDDB parameter, by issuing the DSMSEV FORMAT command. The server database is not currently in the initialized state.

System Action: Server LOADDDB processing stops.

User Response: Issue the DSMSEV FORMAT command. For complete details on this command, refer to the *Administrator's Reference*.

ANR0983W **The server database was recorded by a down-level version of the server program. The UPGRADEDB parameter is required to start the server and automatically upgrade the database contents to the current server version. Please refer to installation instructions for precautionary backup procedures prior to doing this.**

Explanation: At server startup, the server has discovered that the database information was written by an earlier version of the server program and is not compatible with this version. To automatically upgrade the server database to this version of the server program, the UPGRADEDB parameter must be specified when starting the server.

System Action: The server ends.

User Response: Refer to installation instructions for specific information on precautionary measures that you may want to take to back up the database prior to upgrading it to the current server level. After you have taken these measures, start the server and specify the UPGRADEDB parameter. This parameter only needs to be specified once to start the server, and should NOT be included in any automated programs that start the server.

ANR0984I **Process process ID for process name started in the process state at process start time.**

Explanation: The process whose ID is shown has been started for the process indicated by the process name running in the indicated state.

System Action: None.

User Response: None.

ANR0985I **Process process ID for process name running in the process state completed with completion state completion state at process start time.**

Explanation: The process whose ID is shown that was running for the process indicated by the process name running in the indicated state has completed with the completion state indicated.

System Action: None.

User Response: If the completion state was SUCCESS then no action is necessary. However, if the completion state is FAILURE then the user should review the activity log and/or event log to try to determine the cause of the failure.

ANR0986I **Process process ID for process name running in the process state processed items processed items for a total of bytes processed bytes with a completion state of completion state at process start time.**

Explanation: The process whose ID is shown that was running for the process indicated by the process name running in the indicated state has completed processing the stated number of items and total number of bytes with the completion state indicated.

System Action: None.

User Response: If the completion state was SUCCESS then no action is necessary. However, if the completion state is FAILURE then the user should review the activity log and/or event log to try to determine the cause of the failure.

ANR0987I **Process process ID for process name running in the process state processed items processed items with a completion state of completion state at process start time.**

Explanation: The process whose ID is shown that was running for the process indicated by the process name running in the indicated state has completed processing the stated number of items with the completion state indicated.

System Action: None.

User Response: If the completion state was SUCCESS then no action is necessary. However, if the completion state is FAILURE then the user should review the activity log and/or event log to try to determine the cause of the failure.

ANR0988I **Process process ID for process name running in the process state processed bytes processed bytes with a completion state of completion state at process start time.**

Explanation: The process whose ID is shown that was running for the process indicated by the process name running in the indicated state has completed processing the stated number of bytes with the completion state indicated.

System Action: None.

User Response: If the completion state was SUCCESS then no action is necessary. However, if the completion state is FAILURE then the user should review the activity log and/or event log to try to determine the cause of the failure.

ANR0990I **Server restart-recovery in progress.**

Explanation: The server has been restarted after a halt or system failure. If necessary, the server performs recovery processing in order to bring the system back to a consistent state.

System Action: Server initialization continues.

User Response: None.

ANR0991I **Server shutdown complete.**

Explanation: In response to a HALT command, the server has completed its termination processing.

System Action: The server ends.

User Response: None.

ANR0992I **Server installation complete.**

Explanation: The server installation procedure has completed successfully. The server is now available for normal operation.

System Action: Server completes installation processing.

User Response: None.

ANR0993I **Server initialization complete.**

Explanation: The server has been restarted after a halt or system failure. It is now ready to resume normal operation.

System Action: Server completes initialization.

User Response: None.

ANR0994W	<p>This server has not been properly installed.</p> <p>Explanation: The server was started for normal operation, but had not yet been installed.</p> <p>System Action: The server ends.</p> <p>User Response: Install the server properly before starting it.</p>
-----------------	---

ANR0995W	<p>This version of the server program is down-level with respect to the information recorded on disk; a newer version of the program should be used.</p> <p>Explanation: At server startup, the server has discovered that the disk information was written by a later version of the server program. This version of the server program should not be used.</p> <p>System Action: The server ends.</p> <p>User Response: Start a version of the server program that is at the same level as the prior server program used.</p>
-----------------	---

ANR0996W	<p>The information on disk was recorded by a down-level version of the server program; re-installation is required to use this version.</p> <p>Explanation: At server startup, the server has discovered that the disk information was written by an earlier version of the server program and is not compatible with this version.</p> <p>System Action: The server ends.</p> <p>User Response: Install this version of the server to bring the information up to the level of the program being used.</p>
-----------------	---

ANR1000I	<p>Migration process <i>process ID</i> started for storage pool <i>storage pool name</i>.</p> <p>Explanation: Because the high migration threshold for the storage pool shown has been exceeded, a process has been started to migrate files from the storage pool.</p> <p>System Action: Data is moved from this storage pool to the next (target) pool.</p> <p>User Response: None.</p>
-----------------	---

ANR1001I	<p>Migration process <i>process ID</i> ended for storage pool <i>storage pool name</i>.</p> <p>Explanation: A migration process for the named storage pool ends. This action can occur because the low migration threshold for the storage pool has been reached or because there are no more nodes with files to be migrated.</p> <p>System Action: None.</p>
-----------------	---

User Response: None.

ANR1002I **Migration for storage pool *storage pool name* will be retried in *number of seconds* seconds.**

Explanation: Because of a problem encountered attempting migration for the named storage pool, migration is delayed but will be retried after the time period shown.

System Action: The server waits for the specified period and then retries migration for the storage pool. This delay applies to a single migration process. After a number of unsuccessful retries, the server will automatically cancel the process. If other migration processes are executing for the named storage pool, these processes will continue migration.

User Response: If possible, correct the condition that has caused delayed migration.

ANR1003I **Migration retry delay ended; checking migration status for storage pool *storage pool name*.**

Explanation: Because migration for the indicated storage pool had been delayed due to a problem, the system waited before retrying. The retry wait period has ended, and the system will now retry migration.

System Action: Migration processing for the storage pool resumes.

User Response: None.

ANR1020W **Migration process *process ID* terminated for storage pool *storage pool name* - process canceled.**

Explanation: During migration for the indicated storage pool, a process performing the migration has been canceled.

System Action: The migration process is terminated. If other migration processes are executing for the named storage pool, these processes will continue migration.

User Response: None.

ANR1021W **Migration process *process ID* terminated for storage pool *storage pool name* - storage media inaccessible.**

Explanation: During migration for the indicated storage pool, a required volume could not be mounted.

System Action: The indicated migration process ends. The server waits for the retry period to expire and then tries the migration again. If other migration processes are executing for the named storage pool, these processes will continue migration.

User Response: None.

ANR1022W **Migration process *process ID* terminated for storage pool *storage pool name* - excessive read errors encountered.**

Explanation: During migration for the indicated storage pool, read errors occur that prevented the migration from continuing.

System Action: The indicated migration process ends. The server waits for the retry period to expire and then tries the migration again. If other migration processes are executing for the named storage pool, these processes will continue migration.

User Response: If possible, correct the cause of the read errors.

ANR1023W **Migration process *process ID* terminated for storage pool *storage pool name* - excessive write errors encountered.**

Explanation: During migration for the indicated storage pool, write errors occur that prevent the migration from continuing.

System Action: The indicated migration process ends. The server waits for the retry period to expire and then tries the migration again. If other migration processes are executing for the named storage pool, these processes will continue migration.

User Response: If possible, correct the cause of the write errors.

ANR1024W **Migration process *process ID* terminated for storage pool *storage pool name* - data transfer interrupted.**

Explanation: During migration for the indicated storage pool, a data transfer operation was interrupted and could not be continued.

System Action: The indicated migration process ends. The server waits for the retry period to expire and then tries the migration again. If other migration processes are executing for the named storage pool, these processes will continue migration.

User Response: If possible, correct the cause of the interruption.

-
- ANR1025W** **Migration process *process ID* terminated for storage pool *storage pool name* - insufficient space in subordinate storage pool.**
- Explanation:** During migration for the indicated storage pool, the server cannot move the data from the storage pool, because there is not enough space on the next storage pool to hold it.
- System Action:** The indicated migration process ends. The server waits for the retry period to expire and then tries the migration again.
- User Response:** Make more space available in the next storage pool, or use the UPDATE STGPOOL command to change the next storage pool to one with more space.
-
- ANR1026W** **Migration process *process ID* terminated for storage pool *storage pool name* - unable to move file to subordinate storage pool due to exclusion by size.**
- Explanation:** During migration for the indicated storage pool, the server cannot move the data from the storage pool, because a file is larger than what is allowed on the next storage pool.
- System Action:** The indicated migration process ends. The server waits for the retry period to expire and then tries the migration again. If other migration processes are executing for the named storage pool, these processes will continue migration.
- User Response:** Use the UPDATE STGPOOL command to change the next storage pool maximum file size or to change the next storage pool target.
-
- ANR1027W** **Migration process *process ID* terminated for storage pool *storage pool name* - sufficient recovery log space is not available.**
- Explanation:** During migration for the indicated storage pool, the server runs out of recovery log space.
- System Action:** The indicated migration process ends. The server waits for the retry period to expire and then tries the migration again.
- User Response:** If necessary, make more server recovery log space available.
-
- ANR1028W** **Migration process *process ID* terminated for storage pool *storage pool name* - sufficient database space is not available.**
- Explanation:** During migration for the indicated storage pool, the server runs out of database space.
- System Action:** The indicated migration process ends. The server waits for the retry period to expire and then tries the migration again.
-

User Response: If necessary, make more server database space available.

ANR1029W **Migration process *process ID* terminated for storage pool *storage pool name* - lock conflict.**

Explanation: During migration for the indicated storage pool, the server needs to obtain a lock that is not available.

System Action: The indicated migration process ends. The server waits for the retry period to expire and then tries the migration again. If other migration processes are executing for the named storage pool, these processes will continue migration.

User Response: Wait for the server to retry the migration.

ANR1030W **Migration process *process ID* terminated for storage pool *storage pool name* - thread resource not available.**

Explanation: During migration for the indicated storage pool, the server cannot start a thread for the migration process.

System Action: The indicated migration process ends. The server waits for the retry period to expire and then tries the migration again. If other migration processes are executing for the named storage pool, these processes will continue migration.

User Response: Wait for the server to retry the migration. If the error persists, it may indicate a shortage of server memory.

ANR1031W **Migration process *process ID* terminated for storage pool *storage pool name* - sufficient memory is not available.**

Explanation: During migration for the indicated storage pool, there is not enough server memory available.

System Action: The indicated migration process ends. The server waits for the retry period to expire and then tries the migration again.

User Response: If necessary, make more memory available to the server.

ANR1032W **Migration process *process ID* terminated for storage pool *storage pool name* - internal server error detected.**

Explanation: During migration for the indicated storage pool, the server encounters an internal error.

System Action: The indicated migration process ends. The server waits for the retry period to expire and then tries the migration again. If other migration processes are executing for the named storage pool, these processes will continue migration.

User Response: Contact your service representative.

ANR1033W **Migration process *process ID* terminated for storage pool *storage pool name* - transaction aborted.**

Explanation: During migration for the indicated storage pool, the server detected an error while attempting to commit a transaction. This message should be preceded by other messages that give additional information about the failed transaction.

System Action: The indicated migration process ends. The server waits for the retry period to expire and then tries the migration again. If other migration processes are executing for the named storage pool, these processes will continue migration.

User Response: Check for additional messages and eliminate the condition that caused the failed transaction.

ANR1034W **Files stored on volume *volume name* cannot be migrated - volume is offline or access mode is "unavailable" or "destroyed".**

Explanation: During migration, files on the indicated volume cannot be migrated either because the volume has been varied offline or because of the volume's access mode.

System Action: The server continues migration processing, but skips files stored on the indicated volume.

User Response: If necessary, use the VARY ON or UPDATE VOLUME command for this volume.

ANR1040I **Space reclamation started for volume *volume name*, storage pool *storage pool name* (process number *process ID*).**

Explanation: The percentage of reclaimable space on the volume shown has reached the reclaim percentage specified for the storage group; as a result, data from the volume is moved to another volume so that the volume can be reclaimed.

System Action: The server starts volume space reclamation.

User Response: None.

ANR1041I	<p>Space reclamation ended for volume <i>volume name</i>.</p> <p>Explanation: Space reclamation for the volume named is complete.</p> <p>System Action: None.</p> <p>User Response: None.</p>
-----------------	---

ANR1042I	<p>Space reclamation for storage pool <i>storage pool name</i> will be retried in <i>number of seconds</i> seconds.</p> <p>Explanation: Because of a problem encountered attempting space reclamation for the named storage pool, reclamation stops but will be retried after the time period shown. After a number of unsuccessful retries, the process will be automatically cancelled.</p> <p>System Action: The system waits for the specified period and then retries space reclamation for the storage pool.</p> <p>User Response: If possible, correct the condition that has stopped reclamation.</p>
-----------------	---

ANR1043I	<p>Space reclamation retry delay ended; checking volume reclamation status for storage pool <i>storage pool name</i>.</p> <p>Explanation: Because space reclamation for the indicated storage pool had been stopped due to a problem, the system waited before retrying. The retry wait period has ended, and the system can now retry space reclamation.</p> <p>System Action: Reclamation for the pool begins.</p> <p>User Response: None.</p>
-----------------	--

ANR1044I	<p>Removable volume <i>volume name</i> is required for space reclamation.</p> <p>Explanation: During space reclamation processing, the server determines that a removable volume is required in order to complete processing.</p> <p>System Action: The server attempts to mount the removable volume.</p> <p>User Response: Respond to any mount request for the indicated volume.</p>
-----------------	--

ANR1060W	<p>Error initiating space reclamation for storage pool <i>storage pool name</i> - lock conflict.</p> <p>Explanation: While attempting to initiate space reclamation for the indicated storage pool, the server needs to obtain a lock that is not available.</p> <p>System Action: Space reclamation stops. The server waits for the retry period to expire and then tries the reclamation again.</p>
-----------------	---

User Response: Wait for the server to retry the reclamation.

ANR1061W **Error initiating space reclamation for storage pool *storage pool name* - sufficient memory is not available.**

Explanation: During an attempt to initiate space reclamation for the indicated storage pool, there is not enough server memory available.

System Action: Space reclamation stops. The server waits for the retry period to expire and then tries the reclamation again.

User Response: If necessary, make more memory available to the server.

ANR1062W **Error initiating space reclamation for storage pool *storage pool name* - internal server error detected.**

Explanation: During an attempt to initiate space reclamation for the indicated storage pool, an internal server error is encountered.

System Action: Space reclamation stops. The server will wait for the retry period to expire and then tries the reclamation again.

User Response: Contact your service representative.

ANR1080W **Space reclamation terminated for volume *volume name* - process canceled.**

Explanation: During space reclamation for the indicated volume, the process performing the reclamation has been canceled.

System Action: Space reclamation stops. The server waits for the retry period to expire and then tries the reclamation again.

User Response: None.

ANR1081W **Space reclamation terminated for volume *volume name* - storage media inaccessible.**

Explanation: During space reclamation for the indicated volume, a required volume cannot be mounted.

System Action: Space reclamation stops. The server waits for the retry period to expire and then tries the reclamation again.

User Response: None.

ANR1082W **Space reclamation terminated for volume *volume name* - insufficient number of mount points available for removable media.**

Explanation: During space reclamation for the indicated volume, the server could not allocate sufficient mount points for the volumes required.

System Action: Space reclamation stops. The server waits for the retry period to expire and then tries the reclamation again.

User Response: If necessary, make more mount points available.

ANR1083W **Space reclamation terminated for volume *volume name* - excessive read errors encountered.**

Explanation: During space reclamation for the indicated volume, read errors occur that prevent reclamation from continuing.

System Action: Space reclamation stops. The server waits for the retry period to expire and then tries the reclamation again.

User Response: If possible, determine and correct the cause of the read errors.

ANR1084W **Space reclamation terminated for volume *volume name* - excessive write errors encountered.**

Explanation: During space reclamation for the indicated volume, write errors occur that prevent reclamation from continuing.

System Action: Space reclamation stops. The server waits for the retry period to expire and then tries the reclamation again.

User Response: If possible, determine and correct the cause of the write errors.

ANR1085W **Space reclamation terminated for volume *volume name* - data transfer interrupted.**

Explanation: During space reclamation for the indicated volume, a data transfer operation has been interrupted and cannot be continued.

System Action: Space reclamation stops. The server waits for the retry period to expire and then tries the reclamation again.

User Response: If possible, determine and correct the cause of the interruption.

ANR1086W **Space reclamation terminated for volume *volume name* - insufficient space in storage pool.**

Explanation: During space reclamation for the indicated volume, the server determines that data cannot be moved from the volume due to insufficient space on other volumes in the storage pool.

System Action: Space reclamation stops. The server waits for the retry period to expire and then tries the reclamation again.

User Response: Make more space available on other volumes in the storage pool.

ANR1087W **Space reclamation terminated for volume *volume name* - sufficient recovery log space is not available.**

Explanation: During space reclamation for the indicated volume, the server runs out of recovery log space.

System Action: Space reclamation stops. The server waits for the retry period to expire and then tries the reclamation again.

User Response: If necessary, make more server recovery log space available.

ANR1088W **Space reclamation terminated for volume *volume name* - sufficient database space is not available.**

Explanation: During space reclamation for the indicated volume, the server runs out of database space.

System Action: Space reclamation stops. The server waits for the retry period to expire and then tries the reclamation again.

User Response: If necessary, make more server database space available.

ANR1089W **Space reclamation terminated for volume *volume name* - lock conflict.**

Explanation: During space reclamation for the indicated volume, the server needed to obtain a lock that is not available.

System Action: Space reclamation stops. The server waits for the retry period to expire and then tries the reclamation again.

User Response: Wait for the server to retry the reclamation.

ANR1090W **Space reclamation terminated for volume *volume name* - thread resource not available.**

Explanation: During space reclamation for the indicated volume, the server cannot start a thread for the reclamation process.

System Action: Space reclamation stops. The server waits for the retry period to expire and then tries the reclamation again.

User Response: Wait for the server to retry the reclamation. If the error persists, it may indicate a shortage of server memory.

ANR1091W **Space reclamation terminated for volume *volume name* - sufficient memory is not available.**

Explanation: During space reclamation for the indicated volume, there was not enough server memory available.

System Action: Space reclamation stops. The server waits for the retry period to expire and then tries the reclamation again.

User Response: If necessary, make more memory available to the server.

ANR1092W **Space reclamation terminated for volume *volume name* - internal server error detected.**

Explanation: During space reclamation for the indicated volume, the server encounters an internal error.

System Action: Space reclamation stops. The server waits for the retry period to expire and then tries the reclamation again.

User Response: Contact your service representative.

ANR1093W **Space reclamation terminated for volume *volume name* - transaction aborted.**

Explanation: During space reclamation for the indicated volume, the server detected an error while attempting to commit a transaction.

System Action: Space reclamation stops. The server waits for the retry period to expire and then tries the reclamation again.

User Response: Check for additional messages and eliminate the condition that caused the failed transaction.

ANR1100I **Migration started for volume *volume name*, storage pool *storage pool name* (process number *process ID*).**

Explanation: Because the high migration threshold for the indicated storage pool has been exceeded, migration of files from the volume shown begins.

System Action: The system moves the data from this volume to the next (target) pool.

User Response: None.

ANR1101I	Migration ended for volume <i>volume name</i> . Explanation: Because the low migration threshold for the indicated storage pool has been reached, migration of files from the indicated volume ends. System Action: None. User Response: None.
ANR1102I	Removable volume <i>volume name</i> is required for migration. Explanation: During migration processing, the server determines that a removable volume is required in order to complete processing. System Action: The server attempts to mount the removable volume. User Response: Respond to any mount request for the indicated volume.
ANR1115W	Error initiating migration for storage pool <i>storage pool name</i> - lock conflict. Explanation: While trying to start migration for the indicated storage pool, the server needs to obtain a lock that is not available. System Action: Migration stops. The server waits for the retry period to expire and then tries the migration again. User Response: Wait for the server to retry the migration.
ANR1116W	Error initiating migration for storage pool <i>storage pool name</i> - sufficient memory is not available. Explanation: While trying to start migration for the indicated storage pool, there is not enough server memory available. System Action: Migration stops. The server waits for the retry period to expire and then tries the migration again. User Response: If necessary, make more memory available to the server.
ANR1117W	Error initiating migration for storage pool <i>storage pool name</i> - internal server error detected. Explanation: While trying to start migration for the indicated storage pool, the server encounters an internal error. System Action: Migration stops. The server waits for the retry period to expire and then tries the migration again. User Response: Contact your service representative.

ANR1120W **Migration terminated for volume *volume name* - process canceled.**

Explanation: During migration for the indicated volume, the process performing the migration has been canceled.

System Action: The migration process is terminated. If other migration processes are executing for the named storage pool, these processes will continue migration.

User Response: None.

ANR1121W **Migration terminated for volume *volume name* - storage media inaccessible.**

Explanation: During migration for the indicated volume a required volume cannot be mounted.

System Action: Migration stops. The server waits for the retry period to expire and then tries the migration again.

User Response: None.

ANR1122W **Migration terminated for volume *volume name* - insufficient number of mount points available for removable media.**

Explanation: During migration for the indicated volume the server could not allocate sufficient mount points for the volumes required.

System Action: Migration stops. The server waits for the retry period to expire and then tries the migration again.

User Response: If necessary, make more mount points available.

ANR1123W **Migration terminated for volume *volume name* - excessive read errors encountered.**

Explanation: During migration for the indicated volume, read errors occurred that prevent the migration from continuing.

System Action: Migration stops. The server waits for the retry period to expire and then tries the migration again.

User Response: If possible, correct the cause of the read errors.

ANR1124W **Migration terminated for volume *volume name* - excessive write errors encountered.**

Explanation: During migration for the indicated volume, write errors occurred that prevent the migration from continuing.

System Action: Migration stops. The server waits for the retry period to expire and then tries the migration again.

User Response: If possible, correct the cause of the write errors.

ANR1125W

Migration terminated for volume *volume name* - data transfer interrupted.

Explanation: During migration for the indicated volume a data transfer operation was interrupted and could not be continued.

System Action: Migration stops. The server waits for the retry period to expire and then tries the migration again.

User Response: If possible, determine and correct the cause of the interruption.

ANR1126W

Migration terminated for volume *volume name* - insufficient space in subordinate storage pools.

Explanation: During migration for the indicated volume, the server cannot move the data from the volume because there is not enough space on the next storage pool to hold it.

System Action: Migration stops. The server waits for the retry period to expire and then tries the migration again.

User Response: Make more space available in the next storage pool or use the UPDATE STGPOOL command to change the next storage pool to one with more space.

ANR1127W

Migration terminated for volume *volume name* - unable to move file to subordinate storage pool due to exclusion by size.

Explanation: During migration for the indicated volume, the server cannot move the data from the volume because a file size is larger than allowed on the next storage pool.

System Action: Migration stops. The server waits for the retry period to expire and then tries the migration again.

User Response: Use the UPDATE STGPOOL command to change the next storage pool maximum file size or to change the next storage pool target.

ANR1128W

Migration terminated for volume *volume name* - sufficient recovery log space is not available.

Explanation: During migration for the indicated volume, the server runs out of recovery log space.

System Action: Migration stops. The server waits for the retry period to expire and then tries the migration again.

User Response: If necessary, make more server recovery log space available.

ANR1129W **Migration terminated for volume *volume name* - sufficient database space is not available.**

Explanation: During migration for the indicated volume pool, the server runs out of database space.

System Action: Migration stops. The server waits for the retry period to expire and then tries the migration again.

User Response: If necessary, make more server database space available.

ANR1130W **Migration terminated for volume *volume name* - lock conflict.**

Explanation: During migration for the indicated volume, the server needs to obtain a lock that is not available.

System Action: Migration stops. The server waits for the retry period to expire and then tries the migration again.

User Response: Wait for the server to retry the migration.

ANR1131W **Migration terminated for volume *volume name* - thread resource not available.**

Explanation: During migration for the indicated volume, the server cannot start a thread for the migration process.

System Action: Migration stops. The server waits for the retry period to expire and then tries the migration again.

User Response: Wait for the server to retry the migration. If the error persists, it may indicate a shortage of server memory.

ANR1132W **Migration terminated for volume *volume name* - sufficient memory is not available.**

Explanation: During migration for the indicated volume, there is not enough server memory available.

System Action: Migration stops. The server waits for the retry period to expire and then tries the migration again.

User Response: If necessary, make more memory available to the server.

ANR1133W **Migration terminated for volume *volume name* - internal server error detected.**

Explanation: During migration for the indicated volume, the server encounters an internal error.

System Action: Migration stops. The server waits for the retry period to expire and then tries the migration again.

User Response: Contact your service representative.

ANR1134W **Migration terminated for storage pool *storage pool name* - insufficient number of mount points available for removable media.**

Explanation: During migration for the indicated storage pool the server could not allocate sufficient mount points in the next storage pool.

System Action: Migration stops. The server waits for the retry period to expire and then tries the migration again.

User Response: If necessary, make more mount points available.

ANR1135W **Migration terminated for volume *volume name* - transaction aborted.**

Explanation: During migration for the indicated volume, the server detected an error while attempting to commit a transaction.

System Action: Migration stops. The server waits for the retry period to expire and then tries the migration again.

User Response: Check for additional messages and eliminate the condition that caused the failed transaction.

ANR1140I **Move data process started for volume *volume name* (process ID *process ID*).**

Explanation: As a result of a MOVE DATA command, a process begins to move data from the volume shown.

System Action: The server moves all data from the volume.

User Response: None.

ANR1141I **Move data process ended for volume *volume name*.**

Explanation: The MOVE DATA command for the volume shown completes.

System Action: None.

User Response: None.

ANR1142I **Moving data for collocation cluster *cluster number* of *total clusters* on volume *volume name*.**

Explanation: As a result of a MOVE DATA command, data moves from the volume indicated to new volumes; the message shows the total number of clusters (data objects) on the volume and the current cluster being processed.

System Action: None.

User Response: None.

ANR1143W **Move data process terminated for volume *volume name* - process canceled.**

Explanation: During move data processing for the indicated volume, the process performing the move data was canceled.

System Action: The server ends the MOVE DATA command.

User Response: None.

ANR1144W **Move data process terminated for volume *volume name* - storage media inaccessible.**

Explanation: During move data processing for the indicated volume, a required volume cannot be mounted.

System Action: The server ends the MOVE DATA command.

User Response: None.

ANR1145W **Move data process terminated for volume *volume name* - insufficient number of mount points available for removable media.**

Explanation: During move data processing for the indicated volume, the server could not allocate sufficient mount points for the volumes required.

System Action: The server ends the MOVE DATA command.

User Response: If necessary, make more mount points available.

ANR1146W **Move data process terminated for volume *volume name* - excessive read errors encountered.**

Explanation: During move data processing for the indicated volume, read errors occurred that prevented the move from continuing.

System Action: The server ends the MOVE DATA command.

User Response: If possible, correct the cause of the read errors and then reissue the MOVE DATA command.

ANR1147W **Move data process terminated for volume *volume name* - excessive write errors encountered.**

Explanation: During move data processing for the indicated volume, write errors occurred that prevented the move from continuing.

System Action: The server ends the MOVE DATA command.

User Response: If possible, correct the cause of the write errors and then reissue the MOVE DATA command.

ANR1148W **Move data process terminated for volume *volume name* - data transfer interrupted.**

Explanation: During move data processing for the indicated volume a data transfer operation was interrupted and could not be continued.

System Action: The server ends the MOVE DATA command.

User Response: If possible, determine and correct the cause of the interruption.

ANR1149W **Move data process terminated for volume *volume name* - insufficient space in target storage pool.**

Explanation: During move data processing for the indicated volume, the server cannot move the data from the volume, because there is not enough space on the destination storage pool to hold it.

System Action: The server ends the MOVE DATA command.

User Response: Make more space available in the next storage pool, or specify a storage pool with more space, and reissue the MOVE DATA command.

ANR1150W **Move data process terminated for volume *volume name* - unable to move file to target storage pool due to exclusion by size.**

Explanation: During move data processing for the indicated volume, the server cannot move the data from the volume because a file size is larger than allowed on the next storage pool.

System Action: The server ends the MOVE DATA command.

User Response: Use the UPDATE STGPOOL command to change the next storage pool maximum file size or to change the next storage pool target, and then reissue the MOVE DATA command.

ANR1151W **Move data process terminated for volume *volume name* - sufficient recovery log space is not available.**

Explanation: During move data processing for the indicated volume, the server runs out of recovery log space.

System Action: The server ends the MOVE DATA command.

User Response: If necessary, make more server recovery log space available.

ANR1152W	<p>Move data process terminated for volume <i>volume name</i> - sufficient database space is not available.</p> <p>Explanation: During move data processing for the indicated volume, the server runs out of database space.</p> <p>System Action: The server ends the MOVE DATA command.</p> <p>User Response: If necessary, make more server database space available.</p>
<hr/>	
ANR1153W	<p>Move data process terminated for volume <i>volume name</i> - lock conflict.</p> <p>Explanation: During move data processing for the indicated volume, the server needs to obtain a lock that was not available.</p> <p>System Action: The server ends the MOVE DATA command.</p> <p>User Response: Reissue the MOVE DATA command.</p>
<hr/>	
ANR1154W	<p>Move data process terminated for volume <i>volume name</i> - thread resource not available.</p> <p>Explanation: During move data processing for the indicated volume, the server cannot start a thread for the migration process.</p> <p>System Action: The server ends the MOVE DATA command.</p> <p>User Response: Reissue the MOVE DATA command. If the error persists, it may indicate a shortage of server memory.</p>
<hr/>	
ANR1155W	<p>Move data process terminated for volume <i>volume name</i> - sufficient memory is not available.</p> <p>Explanation: During move data processing for the indicated volume, there is not enough server memory available.</p> <p>System Action: The server ends the MOVE DATA command.</p> <p>User Response: If necessary, make more memory available to the server, and then reissue the MOVE DATA command.</p>
<hr/>	
ANR1156W	<p>Move data process terminated for volume <i>volume name</i> - internal server error detected.</p> <p>Explanation: During move data processing for the indicated volume, the server encounters an internal error.</p> <p>System Action: The server ends the MOVE DATA command.</p> <p>User Response: Contact your service representative.</p>

-
- ANR1157I** **Removable volume *volume name* is required for Move Data process.**
- Explanation:** During move data processing for the indicated volume, the server determines that a removable volume is required in order to complete processing.
- System Action:** The server attempts to mount the removable volume.
- User Response:** Respond to any mount request for the indicated volume.
-
- ANR1160W** **Transaction was aborted for volume *volume name*.**
- Explanation:** An error was detected during transaction commit. This message should be preceded by other messages that give additional information about the failed transaction.
- System Action:** The activity that generated this error fails.
- User Response:** Check for additional messages and eliminate the condition that caused the failed transaction. If the error cannot be isolated and resolved, contact your service representative.
-
- ANR1161W** **Move Data skipping damaged file on volume *volume name*: Node *node name*, Type *file type*, File space *filespace name*, File name *file name*.**
- Explanation:** During move data, a file is encountered that was previously found to be damaged. If this file is part of an aggregate, the entire aggregate was previously marked damaged, possibly because an integrity error was detected for some other file within the aggregate.
- System Action:** The damaged file is not moved.
- User Response:** Audit the indicated volume with FIX=NO to verify that the file is damaged. The audit will reset the file status if the file is found to be undamaged during the audit. If the file is part of an aggregate, the audit will reset the aggregate status if the entire aggregate is found to be undamaged. If this volume is in a primary storage pool that has previously been backed up to a copy storage pool, attempt to restore damaged files by using the RESTORE STGPOOL command.
-
- ANR1162W** **Space reclamation skipping damaged file on volume *volume name*: Node *node name*, Type *file type*, File space *filespace name*, File name *file name*.**
- Explanation:** During reclamation, a file is encountered that was previously found to be damaged. If this file is part of an aggregate, the entire aggregate was previously marked damaged, possibly because an integrity error was detected for some other file within the aggregate.
- System Action:** The damaged file is not moved.
-

User Response: Audit the indicated volume with FIX=NO to verify that the file is damaged. The audit will reset the file status if the file is found to be undamaged during the audit. If the file is part of an aggregate, the audit will reset the aggregate status if the entire aggregate is found to be undamaged. If this volume is in a primary storage pool that has previously been backed up to a copy storage pool, attempt to restore damaged files by using the RESTORE STGPOOL command.

ANR1163W

Offsite volume *volume name* still contains files which could not be moved.

Explanation: During processing of a MOVE DATA command or reclamation, the server determined that the indicated offsite volume contained one or more files that could not be moved. One or more files could not be copied from the other available volumes.

System Action: None.

User Response: Check for messages indicating reasons why files could not be moved. To complete the move operation, you have several options:

- Bring the volume back on site and reissue a MOVE DATA command to reclaim the volume.
- Make the primary volumes available and reissue a MOVE DATA command to reclaim the volume.
- Delete the files by using the DELETE VOLUME command.

ANR1165E

Data-integrity error detected for file in storage pool *storage pool name*: Node *node name*, Type *file type*, File space *filespace name*, File name *file name*.

Explanation: The server has detected a data-integrity error for the indicated file.

System Action: The file will be marked damaged in the server database, and will not be accessed for future operations. If this file is part of an aggregate, the entire aggregate will be marked damaged. If a usable copy of the file exists in another storage pool, that copy may be accessed for future operations involving the file.

User Response: If the indicated storage pool is a primary pool, and a usable copy of the file exists in a copy storage pool, you can recreate the file in the primary pool using the RESTORE STGPOOL command. If the indicated storage pool is a copy storage pool, it is possible that the primary copy of the file is usable, but was not accessed because the access mode for the primary storage pool or volume is unavailable. If this is the case, the primary copy of the file may be made accessible by changing the access mode of the primary pool or volume.

ANR1166E **Move Data for offsite volume cannot copy damaged file in storage pool** *storage pool name: Node node name, Type file type, File space filespace name, File name file name.*

Explanation: A move data process for an offsite volume cannot locate an undamaged copy of the specified file in any storage pool accessible by the server. If this file is part of an aggregate, the process could not locate an undamaged copy of the aggregate to which the file belongs.

System Action: The file will be skipped and will not be moved from the offsite volume.

User Response: The indicated storage pool is a primary pool that contains a damaged copy of the file. The only usable copy of the file may now only reside on the offsite volume that was involved in the move data process. If you bring this volume back onsite, you can recreate the file in the primary pool by using the RESTORE STGPOOL command. After the restore, you can reissue the MOVE DATA command.

ANR1167E **Space reclamation for offsite volume(s) cannot copy damaged file in storage pool** *storage pool name: Node node name, Type file type, File space filespace name, File name file name.*

Explanation: A reclamation process of offsite volumes cannot locate an undamaged copy of the specified file in any storage pool accessible by the server. If this file is part of an aggregate, the process could not locate an undamaged copy of the aggregate to which the file belongs.

System Action: The file is skipped and will not be moved from the offsite volume.

User Response: The indicated storage pool is a primary pool that contains a damaged copy of the file. The only usable copy of the file may now only reside on an offsite volume that was involved in the reclamation process, but was not totally reclaimed. If you bring this volume back onsite, you can recreate the file in the primary pool by using the RESTORE STGPOOL command.

ANR1168W **Migration skipping damaged file on volume** *volume name: Node node name, Type file type, File space filespace name, File name file name.*

Explanation: During migration, a file is encountered that was previously found to be damaged. If this file is part of an aggregate, the entire aggregate was previously marked damaged, possibly because an integrity error was detected for some other file within the aggregate.

System Action: The damaged file will not be moved.

User Response: Audit the indicated volume with FIX=NO to verify that the file is damaged. The audit will reset the file status if the file is found to be undamaged.

during the audit. If the file is part of an aggregate, the audit will reset the aggregate status if the entire aggregate is found to be undamaged. If this volume is in a primary storage pool that has previously been backed up to a copy storage pool, you can also attempt to restore damaged files by using the RESTORE STGPOOL command.

ANR1169W **Lock conflict on movement of offsite file - file is skipped.**

Explanation: During migration, reclamation, or move data processing of a volume that is offsite, a copy of the file that resides in a primary disk storage pool is locked by another process.

System Action: The file is skipped and the process will try to find another copy of the file in a copy storage pool. If another copy cannot be used, the move operation on the volume may be incomplete.

User Response: If a move operation was incomplete, try repeating the operation.

ANR1170E **Out of Space in target copy storage pool:** *copy storage pool name*.

Explanation: During reclamation, or move data processing of a volume that is offsite, there was no volume available in the specified target copy storage pool.

System Action: The operation is terminated.

User Response: Define volumes to the copy storage pool or raise the MAXSCRATCH value.

ANR1171W **Unable to move files associated with node *node name*, filespace *filespace name* on volume *volume name* due to restore in progress.**

Explanation: During movement of data (migration, reclamation, move data) from a sequential volume, one or more files were encountered that were locked by a restore operation.

System Action: The files are not moved, but are skipped.

User Response: Use the QUERY RESTORE FORMAT=DETAILED command to determine if the restore operation is active or is in restartable state. A restartable restore operation will keep the files locked from movement until the RESTOREINTERVAL is reached. QUERY OPTION will display this interval. You may wish to lower the RESTOREINTERVAL to cause a restartable restore operation to be removed and free up the locked files. The RESTOREINTERVAL is a server option.

ANR1172E **Move Data for offsite volume cannot copy file in storage pool** *storage pool name: Node node name, Type file type, File space filespace name, File name file name.*

Explanation: A move data process for an offsite volume cannot locate a copy of the specified file in any storage pool accessible by the server. If this file is part of an aggregate, the process could not locate copy of the aggregate to which the file belongs on an accessible volume.

System Action: The file will be skipped and will not be moved from the offsite volume.

User Response: The indicated storage pool is a primary pool that should contain a primary copy of the file. Perhaps the volume on which that file resides is on a destroyed volume. The only usable copy of the file may now only reside on the offsite volume that was involved in the move data process. If you bring this volume back onsite, you can recreate the file in the primary pool by using the RESTORE STGPOOL command. After the restore, you can reissue the MOVE DATA command.

ANR1173E **Space reclamation for offsite volume(s) cannot copy file in storage pool** *storage pool name: Node node name, Type file type, File space filespace name, File name file name.*

Explanation: A reclamation process of offsite volumes cannot locate a copy of the specified file in any storage pool accessible by the server. If this file is part of an aggregate, the process could not locate a copy of the aggregate to which the file belongs on an accessible volume.

System Action: The file is skipped and will not be moved from the offsite volume.

User Response: The indicated storage pool is a primary pool that should contain a copy of the file. Perhaps the volume on which that file resides is on a destroyed volume. The only usable copy of the file may now only reside on an offsite volume that was involved in the reclamation process, but was not totally reclaimed. If you bring this volume back onsite, you can recreate the file in the primary pool by using the RESTORE STGPOOL command.

ANR1174W **One or more cached files were not deleted on volume** *volume name.*

Explanation: The MOVE DATA command could not delete one or more cached files on the disk volume shown. Migration was probably running at the same time, creating cached files while the MOVE DATA command was trying to delete them.

System Action: The MOVE DATA command ran to completion.

User Response: If you want the remaining cached files removed from the disk volume, reissue the MOVE DATA command.

ANR1175W

Volume *volume name* contains files which could not be reclaimed.

Explanation: After reclamation of the indicated volume, it still contains one or more files that could not be reclaimed. These files were skipped because of read errors, or because the files are marked damaged.

System Action: The volume is marked unavailable so it will not be chosen again for reclamation.

User Response:

- Use the UPDATE VOLUME command to set the volume access to readonly.
- Try using the MOVE DATA command to manually reclaim the volume.
- If files still exist on the volume, audit the volume using AUDIT VOLUME FIX=YES.
- Try using the MOVE DATA command again.
- Use the RESTORE VOLUME command to restore files marked damaged.

ANR1180W

Access mode for volume *volume name* has been set to "unavailable" due to file read or integrity errors.

Explanation: During processing of a storage pool volume, input/output or other errors occur that force the server to mark the volume unavailable for further processing.

System Action: The server sets the volume status to unavailable.

User Response: Correct the errors that set the volume to unavailable, or use the DELETE VOLUME command to remove it from the system.

ANR1181E

DiagnosticID: Data storage transaction *transaction ID* was aborted.

Explanation: A database transaction failed because of an error that was detected during data storage processing. This message should be preceded by other messages that give additional information about the failed transaction.

System Action: The server operation that encountered this error during data storage processing fails.

User Response: Check for additional messages and eliminate the condition that caused the failed transaction.

ANR1199I

Removable volume *volume name* is required for audit process.

Explanation: During audit volume processing for the indicated volume, the server determines that a removable volume is required in order to complete processing.

System Action: The server attempts to mount the removable volume.

User Response: Respond to any mount request for the indicated volume.

ANR1210I **Backup of primary storage pool** *primary pool name* **to copy storage pool** *copy pool name* **started as process** *process ID*.

Explanation: A process has been started to back up a primary storage pool to the indicated copy storage pool.

System Action: For every noncached file in the primary pool, a backup copy is made in the copy pool, if a copy of that file does not already exist.

User Response: None.

ANR1211I **Backup preview of primary storage pool** *primary pool name* **to copy storage pool** *copy pool name* **started as process** *process ID*.

Explanation: A preview process has been started to back up a primary storage pool to the indicated copy storage pool.

System Action: Preview information about the backup operation is collected and displayed, but files are not backed up.

User Response: None.

ANR1212I **Backup process** *process ID* **ended for storage pool** *storage pool name*.

Explanation: A backup process for the named primary storage pool has ended.

System Action: None.

User Response: None.

ANR1213I **Backup process** *process ID* **terminated for storage pool** *storage pool name* **- process canceled.**

Explanation: During backup of the indicated primary storage pool, a process performing the backup has been canceled.

System Action: If other backup processes are executing for the named storage pool, these processes continue.

User Response: None.

ANR1214I **Backup of primary storage pool *primary pool name* to copy storage pool *copy pool name* has ended. Files Backed Up:** *number of files*, **Bytes Backed Up:** *number of bytes*, **Unreadable Files:** *number of unreadable files*, **Unreadable Bytes:** *number of bytes in unreadable files*.

Explanation: Backup processing for the specified storage pool has ended with the results shown.

System Action: None.

User Response: Examine previous messages to determine whether all backup processes ended successfully.

ANR1215I **Backup preview of primary storage pool *primary pool name* to copy storage pool *copy pool name* has ended. Files Backed Up:** *number of files*, **Bytes Backed Up:** *number of bytes*.

Explanation: Backup preview processing for the specified storage pool has ended with the results shown.

System Action: None.

User Response: None.

ANR1216E **Command: Process *process ID* terminated - storage media inaccessible.**

Explanation: During backup processing, a required volume could not be mounted.

System Action: The indicated backup process ends.

User Response: None.

ANR1217E **Command: Process *process ID* terminated - insufficient number of mount points available for removable media.**

Explanation: During backup processing, the server could not allocate sufficient mount points for the volumes required.

System Action: The indicated backup process ends.

User Response: If necessary, make more mount points available.

ANR1218E **Command: Process *process ID* terminated - excessive read errors encountered.**

Explanation: During backup processing, read errors occur that prevent the backup from continuing.

System Action: The indicated backup process ends.

User Response: If possible, correct the cause of the read errors and reissue the backup command.

ANR1219E *Command: Process process ID terminated - excessive write errors encountered.*

Explanation: During backup processing, write errors occur that prevent the backup from continuing.

System Action: The indicated backup process ends.

User Response: If possible, correct the cause of the write errors and reissue the backup command.

ANR1220E *Command: Process process ID terminated - data transfer interrupted.*

Explanation: During backup processing, a data transfer operation was interrupted and could not be continued.

System Action: The indicated backup process ends.

User Response: If possible, correct the cause of the interruption and reissue the backup command.

ANR1221E *Command: Process process ID terminated - insufficient space in target copy storage pool.*

Explanation: During backup processing, the server cannot copy data to the copy storage pool because not enough space is available in the copy storage pool.

System Action: The indicated backup process ends.

User Response: Make more space available in the copy storage pool and reissue the backup command, or reissue the backup command and specify another copy storage pool with more space.

ANR1222E *Command: Process process ID terminated - sufficient recovery log space is not available.*

Explanation: During backup processing, the server runs out of recovery log space.

System Action: The indicated backup process ends.

User Response: If necessary, make more server recovery log space available.

ANR1223E	<p><i>Command:</i> Process process ID terminated - sufficient database space is not available.</p> <p>Explanation: During backup processing, the server runs out of database space.</p> <p>System Action: The indicated backup process ends.</p> <p>User Response: If necessary, make more server database space available.</p>
<hr/>	
ANR1224E	<p><i>Command:</i> Process process ID terminated - lock conflict.</p> <p>Explanation: During backup processing, the server needs to obtain a lock that is not available.</p> <p>System Action: The indicated backup process ends.</p> <p>User Response: Reissue the backup command.</p>
<hr/>	
ANR1225E	<p><i>Command:</i> Process process ID terminated - thread resource not available.</p> <p>Explanation: During backup processing, the server cannot start a thread.</p> <p>System Action: The indicated backup process ends.</p> <p>User Response: Reissue the backup command. If the error persists, it may indicate a shortage of server memory.</p>
<hr/>	
ANR1226E	<p><i>Command:</i> Process process ID terminated - sufficient memory is not available.</p> <p>Explanation: During backup processing, not enough server memory is available.</p> <p>System Action: The indicated backup process ends.</p> <p>User Response: If necessary, make more memory available to the server, and then reissue the backup command.</p>
<hr/>	
ANR1227E	<p><i>Command:</i> Process process ID terminated - internal server error detected.</p> <p>Explanation: During backup processing, the server encounters an internal error.</p> <p>System Action: The indicated backup process ends.</p> <p>User Response: Contact your service representative.</p>
<hr/>	
ANR1228I	<p>Removable volume <i>volume name</i> is required for storage pool backup.</p> <p>Explanation: During processing of a BACKUP STGPOOL command, the server determines that a removable volume is required.</p>

System Action: Unless this is a preview process, the server attempts to mount the removable volume.

User Response: Respond to any mount request for the indicated volume.

ANR1229W **Volume *volume name* cannot be backed up - volume is offline or access mode is "unavailable" or "destroyed".**

Explanation: During storage pool backup, a volume cannot be backed up either because it has been varied offline or because of the volume's access mode.

System Action: The server continues backup processing, but skips the indicated volume.

User Response: If necessary, use the VARY ON or UPDATE VOLUME command for this volume and restart the backup command.

ANR1230I **Restore of primary storage pool *primary pool name* started as process *process ID*.**

Explanation: A process has been started to restore the indicated primary storage pool.

System Action: Noncached files that reside in the named primary storage pool are restored if either of the following criteria are met:

- The file is stored on a volume whose access mode is destroyed
- The primary file has been identified as having data-integrity errors during a previous operation

User Response: None.

ANR1231I **Restore preview of primary storage pool *primary pool name* started as process *process ID*.**

Explanation: A preview process has been started to restore a primary storage pool.

System Action: Preview information about the restore operation is collected and displayed, but files are not restored. The restore preview includes noncached files that reside in the specified primary storage pool and that meet either of the following conditions:

- The file is stored on a volume whose access mode is destroyed
- The primary file has been identified as having data-integrity errors during a previous operation

User Response: None.

ANR1232I **Restore of volumes in primary storage pool** *primary pool name* **started as process** *process ID*.

Explanation: A process has been started to restore one or more volumes in the indicated primary storage pool.

System Action: Noncached files that reside on selected volumes in the primary storage pool are restored.

User Response: None.

ANR1233I **Restore preview of volumes in primary storage pool** *primary pool name* **started as process** *process ID*.

Explanation: A preview process has been started to restore one or more volumes in the indicated primary storage pool.

System Action: Preview information about the restore operation is collected and displayed, but files are not restored. The restore preview includes noncached files that reside on selected volumes in the primary storage pool.

User Response: None.

ANR1234I **Restore process** *process ID* **ended for storage pool** *storage pool name*.

Explanation: A restore process for the named primary storage pool has ended.

System Action: None.

User Response: None.

ANR1235I **Restore process** *process ID* **ended for volumes in storage pool** *storage pool name*.

Explanation: A restore process for volumes in the named primary storage pool has ended.

System Action: None.

User Response: None.

ANR1236I **Restore process** *process ID* **terminated for storage pool** *storage pool name* - **process canceled.**

Explanation: During restore of the indicated primary storage pool, a process performing the restore has been canceled.

System Action: If other restore processes are executing for the named storage pool, these processes continue.

User Response: None.

ANR1237I **Restore process *process ID* terminated for volumes in storage pool *storage pool name* - process canceled.**

Explanation: During restore of volumes in the indicated primary storage pool, a process performing the restore has been canceled.

System Action: If other restore processes are executing for the volumes, these processes continue.

User Response: None.

ANR1238I **Restore of primary storage pool *primary pool name* has ended. Files Restored: *number of files*, Bytes Restored: *number of bytes*, Unreadable Files: *number of unreadable files*, Unreadable Bytes: *number of bytes in unreadable files*.**

Explanation: Restore processing for the specified storage pool has ended with the results shown.

System Action: None.

User Response: Examine previous messages to determine whether all restore processes ended successfully.

ANR1239I **Restore preview of primary storage pool *primary pool name* has ended. Files Restored: *number of files*, Bytes Restored: *number of bytes*.**

Explanation: Restore preview processing for the specified storage pool has ended with the results shown.

System Action: None.

User Response: None.

ANR1240I **Restore of volumes in primary storage pool *primary pool name* has ended. Files Restored: *number of files*, Bytes Restored: *number of bytes*, Unreadable Files: *number of unreadable files*, Unreadable Bytes: *number of bytes in unreadable files*.**

Explanation: Restore processing for volumes in the specified storage pool has ended with the results shown.

System Action: None.

User Response: Examine previous messages to determine whether all restore processes ended successfully.

ANR1241I **Restore preview of volumes in primary storage pool** *primary pool name* **has ended. Files Restored:** *number of files*, **Bytes Restored:** *number of bytes*.

Explanation: Restore preview processing for volumes in the specified storage pool has ended with the results shown.

System Action: None.

User Response: None.

ANR1242E **Command: Process process ID terminated - storage media inaccessible.**

Explanation: During restore processing, a required volume could not be mounted.

System Action: The indicated restore process ends.

User Response: None.

ANR1243E **Command: Process process ID terminated - insufficient number of mount points available for removable media.**

Explanation: During restore processing, the server could not allocate sufficient mount points for the volumes required.

System Action: The indicated restore process ends.

User Response: If necessary, make more mount points available.

ANR1244E **Command: Process process ID terminated - excessive read errors encountered.**

Explanation: During restore processing, read errors occur that prevent the restore from continuing.

System Action: The indicated restore process ends.

User Response: If possible, correct the cause of the read errors and reissue the restore command.

ANR1245E **Command: Process process ID terminated - excessive write errors encountered.**

Explanation: During restore processing, write errors occur that prevent the restore from continuing.

System Action: The indicated restore process ends.

User Response: If possible, correct the cause of the write errors and reissue the restore command.

-
- ANR1246E** *Command: Process process ID terminated - data transfer interrupted.*
- Explanation:** During restore processing, a data transfer operation was interrupted and could not be continued.
- System Action:** The indicated restore process ends.
- User Response:** If possible, correct the cause of the interruption and reissue the restore command.
-
- ANR1247E** *Command: Process process ID terminated - insufficient space in target primary storage pool.*
- Explanation:** During restore processing, the server cannot copy data to the target primary storage pool, because not enough space is available in the target pool.
- System Action:** The indicated restore process ends.
- User Response:** Make more space available in the target primary storage pool, and then reissue the restore command.
-
- ANR1248E** *Command: Process process ID terminated - sufficient recovery log space is not available.*
- Explanation:** During restore processing, the server runs out of recovery log space.
- System Action:** The indicated restore process ends.
- User Response:** If necessary, make more server recovery log space available.
-
- ANR1249E** *Command: Process process ID terminated - sufficient database space is not available.*
- Explanation:** During restore processing, the server runs out of database space.
- System Action:** The indicated restore process ends.
- User Response:** If necessary, make more server database space available.
-
- ANR1250E** *Command: Process process ID terminated - lock conflict.*
- Explanation:** During restore processing, the server needs to obtain a lock that is not available.
- System Action:** The indicated restore process ends.
- User Response:** Reissue the restore command.
-

ANR1251E *Command: Process process ID terminated - thread resource not available.*

Explanation: During restore processing, the server cannot start a thread.

System Action: The indicated restore process ends.

User Response: Reissue the restore command. If the error persists, it may indicate a shortage of server memory.

ANR1252E *Command: Process process ID terminated - sufficient memory is not available.*

Explanation: During restore processing, there is not enough server memory available.

System Action: The indicated restore process ends.

User Response: If necessary, make more memory available to the server; and then reissue the restore command.

ANR1253E *Command: Process process ID terminated - internal server error detected.*

Explanation: During restore processing, the server encounters an internal error.

System Action: The indicated restore process ends.

User Response: Contact your service representative.

ANR1254I **Removable volume *volume name* is required for restore processing.**

Explanation: During processing of a RESTORE STGPOOL or RESTORE VOLUME command, the server determines that a removable volume is required.

System Action: Unless this is a preview process, the server attempts to mount the removable volume.

User Response: Respond to any mount request for the indicated volume.

ANR1255W **Files on volume *volume name* cannot be restored - access mode is "unavailable" or "offsite".**

Explanation: During processing of a RESTORE STGPOOL or RESTORE VOLUME command, files on a copy storage pool volume cannot be restored because of the volume's access mode.

System Action: The server continues restore processing, but skips the indicated volume.

User Response: If the volume is stored at an offsite location, bring the volume onsite. Use the UPDATE VOLUME command to change the access mode for the volume and restart the restore command.

ANR1256W **Volume *volume name* contains files that could not be restored.**

Explanation: During processing of a RESTORE STGPOOL or RESTORE VOLUME command, the server determines that the indicated volume contains one or more files that could not be restored. If this is a preview operation, this message indicates that a restorable backup copy cannot be found for one or more files on the indicated volume. If this is an actual restore operation, this message could result if any of the following conditions exist for a file on the indicated volume:

- A restorable backup copy cannot be found for the file.
- A restorable backup copy of the file exists, but is located on a copy storage pool volume whose access mode is unavailable or offsite.
- During restore processing, a backup copy was selected for restore processing, but was deleted or moved before the file was actually restored. This action could occur as a result of MOVE DATA, DELETE VOLUME, AUDIT VOLUME FIX=YES, or reclamation processing of a copy storage pool volume while the restore was in progress.

System Action: None.

User Response: If this was an actual restore operation, check for messages indicating that files could not be restored because a copy storage pool volume was unavailable or offsite. Check to see if a move data, delete volume, audit volume, or reclamation process occurred for a copy storage pool while the restore was in progress. If either of these conditions existed, correct the situation and reissue the restore command.

ANR1257W **Storage pool backup skipping damaged file on volume *volume name*: Node *node name*, Type *file type*, File space *filespace name*, File name *file name*.**

Explanation: During storage pool backup, a file is encountered that was previously found to be damaged. If this file is part of an aggregate, the entire aggregate was previously marked damaged, possibly because an integrity error was detected for some other file within the aggregate.

System Action: The damaged file will not be backed up.

User Response: Audit the indicated volume with FIX=NO to verify that the file is damaged. The audit will reset the file status if the file is found to be undamaged during the audit. If the file is part of an aggregate, the audit will reset the aggregate status if the entire aggregate is found to be undamaged. If this file has previously been backed up to a copy storage pool, you can also attempt to restore damaged files using the RESTORE STGPOOL command.

ANR1258W **Files on volume *volume name* needed for move data cannot be accessed - access mode is "unavailable" or "offsite".**

Explanation: During a move data operation on an offsite volume, files on a storage pool volume cannot be copied because of the volume's access mode.

System Action: The server continues move data processing, but one or more files were not moved from the offsite volume.

User Response: If the specified volume can be made available, use the UPDATE VOLUME command to change the access mode for the volume and reissue the MOVE DATA command.

ANR1259W **Files on volume *volume name* needed for offsite reclamation cannot be accessed - access mode is "unavailable" or "offsite".**

Explanation: During reclamation processing of an offsite volume, files on a storage pool volume cannot be copied because of the volume's access mode.

System Action: The server continues reclamation, but one or more files were not moved from an offsite volume, which prevents it from being reclaimed.

User Response: If the specified volume can be made available, use the UPDATE VOLUME command to change the access mode for the volume and initiate reclamation again by updating the reclamation threshold for the copy storage pool.

ANR1260W **Volume *volume name* contains one or more damaged, primary files.**

Explanation: This message is issued during RESTORE STGPOOL processing. The indicated volume contains one or more primary, noncached files that have previously been found to be damaged.

System Action: If this is not a preview operation, the restore processing attempts to restore the damaged files from copies located in a copy storage pool. If this is a preview operation, no system action is taken.

User Response: You can take the following actions:

- Issue the QUERY CONTENT command with DAMAGED=YES to obtain a list of damaged files on the indicated volume.
- Audit the indicated volume with FIX=NO to verify that the files are damaged; the audit will reset the status of any files that are found to be undamaged during the audit.
- If this message was issued during a restore preview operation, attempt to restore the damaged files using the RESTORE STGPOOL command.
- Audit the indicated volume with FIX=YES to delete the damaged files from the database.

-
- ANR1263I** *command: Processing completed successfully.*
- Explanation:** The background process to service the command *command* has completed successfully.
- System Action:** Processing for the command completes. Statistics on the number and type of objects moved, together with the total number of bytes copied, are displayed on the server console following this message.
- User Response:** None.
-
- ANR1264I** *Command: Processing canceled before completion.*
- Explanation:** The background process to service the command *command* has been canceled with the CANCEL PROCESS command.
- System Action:** Processing for the command *command* ends. Statistics on the number and type of objects moved, together with the total number of bytes copied, are displayed on the server console following this message.
- User Response:** None.
-
- ANR1265E** *Salvage volume command: Processing terminated abnormally - error accessing data storage.*
- Explanation:** The server encountered an internal error in accessing data storage while executing a salvage volume operation.
- System Action:** The operation is ended and server operation continues.
- User Response:** Use the QUERY ACTLOG command to examine messages prior to this error to determine the cause of the data storage failure. If you find and resolve the error, retry the operation. If you cannot find the error, contact your service representative for assistance in resolving the problem.
-
- ANR1266E** *Salvage volume command: Processing terminated abnormally - volume not a storage pool volume.*
- Explanation:** The server encountered an internal error in accessing data storage while executing a salvage volume operation. The error occurred because an attempt has been made to access a volume that was not a storage pool volume.
- System Action:** The command *command* operation is ended and server operation continues.
- User Response:** Issue the command with a valid volume name.
-

ANR1267I	<p><i>Salvage volume command: Processed number volume(s).</i></p> <p>Explanation: The background process to service the command <i>Salvage volume command</i> inspected <i>number</i> input volumes.</p> <p>System Action: Salvage processing for the command completes. Server operation continues.</p> <p>User Response: None.</p>
ANR1268I	<p><i>Salvage volume command: Recovered number byte(s).</i></p> <p>Explanation: The background process to service the command <i>Salvage volume command</i> recovered <i>number</i> bytes worth of data.</p> <p>System Action: Salvage processing for the command completes. Server operation continues.</p> <p>User Response: None.</p>
ANR1269I	<p><i>Salvage volume command: Recovered number file(s).</i></p> <p>Explanation: The background process to service the command <i>Salvage volume command</i> recovered <i>number</i> files.</p> <p>System Action: Salvage processing for the command completes. Server operation continues.</p> <p>User Response: None.</p>
ANR1270I	<p><i>Salvage volume command: File (internal file identifierinternal file identifier) recovered.</i></p> <p>Explanation: The background process to service the command <i>Salvage volume command</i> recovered a file. The new file was given a new, system generated name based on the <i>internal file identifier</i> and the name of the volume from which the file was recovered. The <i>internal file identifier</i> is the identifier by which the file was known to the server before the file was deleted.</p> <p>System Action: Salvage processing for the command completes. Server operation continues.</p> <p>User Response: None.</p>
ANR1271I	<p><i>Salvage volume command: * number bytes recovered from volume volume.</i></p> <p>Explanation: The background process to service the command <i>Salvage volume command</i> recovered a file from the volume <i>volume</i>. The <i>number</i> of bytes recovered from the <i>volume</i> is listed.</p>

System Action: Salvage processing for the command completes. Server operation continues.

User Response: None.

ANR1272I *Salvage volume command: * File is complete -- it began and ended on volume volume.*

Explanation: The background process to service the command *Salvage volume command* recovered a file from the volume *volume*. The file was completely contained on *volume*.

System Action: Salvage processing for the command completes. Server operation continues.

User Response: None.

ANR1273I *Salvage volume command: * File is incomplete -- it began on volume volume but did not end.*

Explanation: The background process to service the command *Salvage volume command* recovered a file from the volume *volume*. The file was not completely contained on *volume*. Although the file began on this volume, it spanned out to a different volume.

System Action: Salvage processing for the command completes. Server operation continues.

User Response: None.

ANR1274I *Salvage volume command: * File is incomplete -- it ended on volume volume but did not begin there.*

Explanation: The background process to service the command *Salvage volume command* recovered a file from the volume *volume*. The file was not completely contained on *volume*. Although the file ended on this volume, it spanned in from a different volume.

System Action: Salvage processing for the command completes. Server operation continues.

User Response: None.

ANR1275I *Salvage volume command: * File is incomplete -- it did not began or end on volume volume.*

Explanation: The background process to service the command *Salvage volume command* recovered a file from the volume *volume*. The file was not completely contained on *volume*. It spanned in from one volume and spanned out to a another.

System Action: Salvage processing for the command completes. Server operation continues.

User Response: None.

ANR1276E

Command: Process terminated - sufficient memory is not available.

Explanation: During salvage processing, not enough server memory is available.

System Action: The salvage process ends.

User Response: If necessary, make more memory available to the server, and then reissue the salvage command.

ANR1277E

Command: Process terminated - the default management class in the active policy set in policy domain *domain name* does not contain an archive copy group. Unable to continue with salvage.

Explanation: The background process to service the command *Salvage volume command* was unable to recover any files because the default management class in the active policy set in *policy domain* does not contain an archive copy group.

System Action: The salvage process ends.

User Response: Add an archive copy group to the default management class in the active policy set of the specified domain, and then reissue the salvage command.

ANR1278I

Occupancy is incorrect for storage pool *storage pool name*. Occupancy is being reset.

Explanation: The server has detected incorrect occupancy information.

System Action: The server recalculates the occupancy value based on current storage pool information.

User Response: None.

ANR1279I

Occupancy is incorrect for volume name *volume name*. Occupancy is being reset.

Explanation: The server has detected incorrect occupancy information.

System Action: The server recalculates the occupancy value based on current sequential volume information.

User Response: None.

ANR1280E *Command: Process process ID terminated - transaction aborted.*

Explanation: During backup processing, the server detected an error while attempting to commit a transaction. This message should be preceded by other messages that give additional information about the failed transaction.

System Action: The indicated backup process ends.

User Response: Check for additional messages and eliminate the condition that caused the failed transaction.

ANR1281E *Command: Process process ID terminated - transaction aborted.*

Explanation: During restore processing, the server detected an error while attempting to commit a transaction. This message should be preceded by other messages that give additional information about the failed transaction.

System Action: The indicated restore process ends.

User Response: Check for additional messages and eliminate the condition that caused the failed transaction.

ANR1282I **Logical occupancy is incorrect for storage pool *storage pool name*. Logical occupancy is being reset.**

Explanation: The server has detected incorrect logical occupancy information.

System Action: The server recalculates the logical occupancy value based on current storage pool information.

User Response: None.

ANR1283I **File count is incorrect for storage pool *storage pool name* - file count is being reset.**

Explanation: The server has detected an incorrect count of the number of files within this storage pool.

System Action: The server will correct this information.

User Response: None.

ANR1300I **VARY ONLINE command initiated for disk volume *volume name*.**

Explanation: A VARY ONLINE command has caused a vary-on process to be started for the volume specified.

System Action: The volume is varied online.

User Response: None.

ANR1301I **VARY OFFLINE command initiated for disk volume** *volume name*.

Explanation: A VARY OFFLINE command has caused a vary-off process to be started for the volume specified.

System Action: The volume is varied offline.

User Response: None.

ANR1302E **Disk volume** *volume name* **is already online.**

Explanation: A VARY ONLINE command specified a volume that was already online.

System Action: None.

User Response: None.

ANR1303E **Disk volume** *volume name* **is already offline.**

Explanation: A VARY OFFLINE command specified a volume that was already offline.

System Action: None.

User Response: None.

ANR1304E **Disk volume** *volume name* **is currently in use.**

Explanation: A VARY OFFLINE command specified a volume that is currently in use and cannot be varied offline at this time.

System Action: None.

User Response: Try the command again at a later time, or attempt to determine how it is currently being used and free it.

ANR1305I **Disk volume** *volume name* **varied online.**

Explanation: The specified volume has been varied online as the result of a VARY ONLINE command.

System Action: None.

User Response: None.

ANR1306I **Disk volume** *volume name* **varied online (read-only).**

Explanation: The specified volume has been varied online in read-only mode as the result of a VARY ONLINE command.

System Action: None.

User Response: None.

ANR1307I **Disk volume *volume name* varied offline.**

Explanation: The specified volume has been varied offline as the result of a VARY OFFLINE command.

System Action: None.

User Response: None.

ANR1310E **Vary-on failed for disk volume *volume name* - insufficient memory.**

Explanation: A VARY ONLINE command has been issued for the disk volume specified, but sufficient memory is not available to process the command.

System Action: The volume is not varied online.

User Response: Reissue the command at a later time, or make more memory available to the server.

ANR1311E **Vary-on failed for disk volume *volume name* - unable to access disk device.**

Explanation: A VARY ONLINE command has been issued for the disk volume specified, but the server is unable to access the disk.

System Action: The volume is not varied online.

User Response: Attempt to determine the cause of the inability to access the volume and correct the problem.

ANR1312E **Vary-on failed for disk volume *volume name* - error reading disk.**

Explanation: A VARY ONLINE command has been issued for the disk volume specified but the server encounters an error reading the disk.

System Action: The volume is not varied online.

User Response: Attempt to determine the cause of the read error and correct the problem.

ANR1313E **Vary-on failed for disk volume *volume name* - unsupported block size (*block size*).**

Explanation: A VARY ONLINE command has been issued for the disk volume specified, but the volume is formatted with a block size that cannot be used.

System Action: The volume is not varied online.

User Response: Reformat the disk with a block size that is an evenly divisible by 4096.

ANR1314E **Vary-on failed for disk volume** *volume name* **- reduced capacity (was** *count* **blocks, now** *count* **blocks.**

Explanation: A VARY ONLINE command has been issued for the disk volume specified, but the size of the volume does not match the size expected.

System Action: The volume is not varied online.

User Response: Restore the volume or otherwise correct the disk volume size, and reissue the command.

ANR1315E **Vary-on failed for disk volume** *volume name* **- invalid label block.**

Explanation: A VARY ONLINE command has been issued for the disk volume specified, but the label block of the volume is invalid or cannot be read.

System Action: The volume is not varied online.

User Response: Restore or reformat the disk volume.

ANR1316E **Vary-on failed for disk volume** *volume name* **- internal error detected.**

Explanation: A VARY ONLINE command has been issued for the disk volume specified, but fails due to an internal server error.

System Action: The volume is not varied online.

User Response: Contact your service representative.

ANR1320W **Vary-on not possible for disk volume** *volume name* **- access state is** *"unavailable"*.

Explanation: A VARY ONLINE command has been issued for the disk volume specified, but the status of the volume is unavailable.

System Action: The volume is not varied online.

User Response: If necessary, use the UPDATE VOLUME command to change the status of the volume, and reissue the command.

ANR1321W **Vary-on not possible for disk volume** *volume name* **- access state is** *"destroyed"*.

Explanation: A VARY ONLINE command has been issued for the disk volume specified, but the status of the volume is destroyed.

System Action: The volume is not varied online.

User Response: If necessary, use the UPDATE VOLUME command to change the status of the volume, and reissue the command.

ANR1340I **Scratch volume** *volume name* **is now defined in storage pool** *storage pool name*.

Explanation: The scratch volume specified has been added to the storage pool shown.

System Action: None.

User Response: None.

ANR1341I **Scratch volume** *volume name* **has been deleted from storage pool** *storage pool name*.

Explanation: The scratch volume specified is no longer in use and has been removed from the indicated storage pool.

System Action: None.

User Response: None.

ANR1342I **Scratch volume** *volume name* **is now pending - volume will be deleted from storage pool** *storage pool name* **after the reuse delay period for this storage pool has elapsed.**

Explanation: All files have been deleted from the indicated scratch volume. The volume will not be removed from the storage pool until the reuse delay time period for the indicated storage pool has elapsed. If the storage pool does not have a reuse tdelay specified, the indicated volume was emptied after it had been requested by another process. It will be in the full or filling state if the process places more data on the tape, or it will be removed from the storage pool after it is no longer required.

System Action: None.

User Response: None.

ANR1343I **Unable to delete scratch volume** *volume name*.

Explanation: A scratch volume cannot be deleted from the server and returned to scratch at this time because all the locks have not been released. A number of retries have been attempted.

System Action: None

User Response: The scratch volume will be automatically deleted when the server is restarted. Or, you may manually delete this volume later, using the DELETE VOLUME command.

ANR1344I	<p>Volume <i>volume name</i> cannot be reused, remove from server storage.</p> <p>Explanation: A volume that was full and is now empty cannot be reused by the server due to the WORM (Write Once - Read Many) characteristics of the media.</p> <p>System Action: The volume will have a state where the access mode is READONLY, the status is FULL and the percent utilized is 0.0. The volume is considered empty for storage pool occupancy and utilization fields.</p> <p>User Response: If the volume is in a library, it must first be removed using the CHECKOUT LIBVOLUME command prior to manually deleting the volume. Use the DELETE VOLUME command to remove the volume from server storage.</p>
<hr/>	
ANR1360I	<p>Output volume <i>volume name</i> opened (sequence number <i>sequence number</i>).</p> <p>Explanation: During a sequential data operation, the volume specified has been opened for output as the volume number shown.</p> <p>System Action: None.</p> <p>User Response: None.</p>
<hr/>	
ANR1361I	<p>Output volume <i>volume name</i> closed.</p> <p>Explanation: During a sequential data operation, the volume specified has been closed because the export or dump is complete.</p> <p>System Action: None.</p> <p>User Response: None.</p>
<hr/>	
ANR1362I	<p>Output volume <i>volume name</i> closed (full).</p> <p>Explanation: During a sequential data operation, the volume specified has been closed because the volume is full.</p> <p>System Action: None.</p> <p>User Response: None.</p>
<hr/>	
ANR1363I	<p>Input volume <i>volume name</i> opened (sequence number <i>sequence number</i>).</p> <p>Explanation: Because of a sequential data operation, the volume specified has been opened for input as the volume number shown.</p> <p>System Action: None.</p> <p>User Response: None.</p>

-
- ANR1364I** **Input volume *volume name* closed.**
- Explanation:** During a sequential data operation, the volume specified has been closed because the operation is complete.
- System Action:** None.
- User Response:** None.
-
- ANR1365I** **Volume *volume name* closed (end reached).**
- Explanation:** During a sequential data operation, the volume specified has been closed because processing of the volume is complete.
- System Action:** None.
- User Response:** None.
-
- ANR1366W** **Input volume *volume name* contains an invalid identifier.**
- Explanation:** During a sequential data operation, the volume specified has been mounted but contains an invalid identifier.
- System Action:** The volume is not used.
- User Response:** Make sure you specified the correct volume for the operation. If a LOADDB operation was being performed on MVS, the command syntax may be specified by using a ddname or by specifying a device class name. You must use the same method that was used when the data base was originally dumped. If you did not, this error message will be displayed. Try loading the data base by using the other method of syntax (ddname).
-
- ANR1367W** **Import volume *volume name* was written by a different export process.**
- Explanation:** During an IMPORT operation, the volume specified has been mounted but contains an export identifier that does not match the import process.
- System Action:** The volume is not used.
- User Response:** Supply a volume created by the proper export process.
-
- ANR1368W** **Input volume *volume name* contains sequence number *sequence number*; volume sequence number *sequence number* is required.**
- Explanation:** During a sequential data operation, the volume specified has been mounted but contains the wrong volume sequence number.
- System Action:** The volume is not used.
-

User Response: Supply the volume with the proper sequence number. The volume history file can help you choose the correct volume.

ANR1369E

Input volume *volume name* contains Version 1 dump.

Explanation: During a sequential data operation, the volume specified has been mounted but appears to contain a version 1 data base dump.

System Action: The volume is not used. The operation is terminated.

User Response: Make sure you specified the correct volume for the operation. A Version 1 database dump may not be loaded into a Version 2 server. The Version 1 database dump must only be loaded into a Version 1 server.

ANR1370E

Insufficient number of mount points available in device class *device class name*.

Explanation: During IMPORT or EXPORT processing, the server cannot allocate sufficient mount points for the device class specified. The device class associated with the EXPORT or IMPORT drive only has a mount limit of one. The operation needs to read or write file data from or to the same device class because file data is being imported or exported.

System Action: The IMPORT or EXPORT command is ended and server operation continues.

User Response: Make more mount points available.

ANR1400W

Mount request denied for volume *volume name* - mount canceled.

Explanation: The volume shown cannot be mounted because the mount request has been canceled.

System Action: The volume is not mounted.

User Response: None.

ANR1401W

Mount request denied for volume *volume name* - mount failed.

Explanation: The volume shown cannot be mounted because the mount request cannot be completed successfully. Possible reasons include, an error in device specifications to the server or the mount request timed out.

System Action: The volume is not mounted.

User Response: If the device specifications (DEFINE DEVCLASS and so forth) are in error, correct them and reissue the command that requested the volume to be mounted.

ANR1402W	Mount request denied for volume <i>volume name</i> - volume unavailable. Explanation: The volume shown cannot be mounted because it is not available. System Action: The volume is not mounted. User Response: None.
ANR1403W	Scratch volume mount request denied - mount canceled. Explanation: A scratch volume cannot be mounted because the mount request has been canceled. System Action: The scratch volume is not mounted. User Response: None.
ANR1404W	Scratch volume mount request denied - mount failed. Explanation: A scratch volume cannot be mounted because the mount request cannot be completed successfully. Possible reasons include, an error in device specifications to the server or the mount request timed out. System Action: The scratch volume is not mounted. User Response: If the device specifications (for example, DEFINE DEVCLASS) are in error, correct them and reissue the command that requested the volume to be mounted.
ANR1405W	Scratch volume mount request denied - no scratch volume available. Explanation: A scratch volume cannot be mounted because no scratch volume is available. System Action: The scratch volume is not mounted. User Response: None.
ANR1409W	Volume <i>command</i> already in use - skipped. Explanation: During an export or database backup, a volume cannot be used because it is already defined in a storage pool, or has been previously used by an export or database backup operation (as recorded in the volume history) or is in use by another process. System Action: The operation continues and the volume is skipped.

User Response: Use the QUERY VOLUME command to display the names of volumes that are defined to server storage pools. Use the QUERY VOLHISTORY command to display the names of volumes that have been used for export or database backup operations.

ANR1410W Access mode for volume *volume name* now set to "unavailable".

Explanation: The status of the volume shown has been set to unavailable.

System Action: None.

User Response: None.

ANR1411W Access mode for volume *volume name* now set to "read-only" due to write error.

Explanation: Because of an unrecoverable write error on the volume shown, the status of the volume has been set to read-only.

System Action: None.

User Response: None.

ANR1412W Volume *volume name* access mode is "unavailable".

Explanation: At server startup, the status of the indicated volume is unavailable.

System Action: None.

User Response: None.

ANR1413W Volume *volume name* access mode is "read-only".

Explanation: At server startup, the status of the indicated volume is read-only.

System Action: None.

User Response: None.

ANR1414W Volume *volume name* access mode is "read-only" due to previous write error.

Explanation: At server startup, the status of the indicated volume is read-only due to an unrecoverable write error, or because an administrator used the UPDATE VOLUME command to set the volume access mode to read-only.

System Action: None.

User Response: None.

ANR1415W	Volume <i>volume name</i> access mode is "destroyed". Explanation: At server startup, the status of the indicated volume is destroyed. System Action: None. User Response: None.
ANR1416W	Volume <i>volume name</i> access mode is "offsite". Explanation: At server startup, the status of the indicated volume is offsite. System Action: None. User Response: None.
ANR1417W	Access mode for volume <i>volume name</i> now set to "read-only" due to excessive read error. Explanation: Because of an numerous read errors on the volume shown, the status of the volume has been set to read-only. System Action: None. User Response: Use QUERY VOLUME FORMAT=DETAILED for the volume to view the access mode and number of read errors. You may want to use the MOVE DATA command to move the retrievable data from this volume to another volume. For the damaged files, use the RESTORE VOLUME command to restore a readable copy of the file to the storage pool.
ANR1420W	Read access denied for volume <i>volume name</i> - volume access mode = "unavailable". Explanation: An attempt to access the named volume for reading fails because the volume status is unavailable. System Action: The volume is not used for read access. User Response: None.
ANR1421W	Read access denied for volume <i>volume name</i> - volume offline. Explanation: An attempt to access the named volume for reading failed because the volume is offline. System Action: The volume is not used. User Response: None.

ANR1422W **Read access denied for volume *volume name* - volume access mode = "offsite".**

Explanation: An attempt to access the named volume for reading failed because the volume status is offsite.

System Action: The volume is not used for read access.

User Response: None.

ANR1423W **Scratch volume *volume name* is empty but will not be deleted - volume access mode is "offsite".**

Explanation: The named scratch volume is empty but will not be deleted at this time because the access mode is offsite.

System Action: The volume is not deleted.

User Response: After bringing the volume onsite, change the access mode to read-only so the volume will be deleted.

ANR1424W **Read access denied for volume *volume name* - volume access mode = "destroyed".**

Explanation: An attempt to access the named volume for reading failed because the volume status is destroyed.

System Action: The volume is not used for read access.

User Response: None.

ANR1425W **Scratch volume *volume name* is empty but will not be deleted - volume state is "mountablenotinlib".**

Explanation: The named scratch volume is empty but will not be deleted at this time because the state of the volume is MOUNTABLENOTINLIB.

System Action: The volume is not deleted.

User Response: When the volume is moved by MOVE MEDIA WHERESTATE=MOUNTABLENOTINLIB, the scratch empty volume is deleted.

ANR1430W **Retrieval request denied for storage pool *storage pool name* - access mode = "unavailable".**

Explanation: An attempt was made to retrieve a file from the storage pool shown, but the access mode of the storage pool is unavailable.

System Action: The file is not retrieved from this storage pool. If possible, the file is retrieved from another storage pool.

User Response: Consider changing the access mode for the storage pool.

ANR1431E **An error occurred while writing to side A of volume *volume name*. An attempt will be made to write to side B of this volume.**

Explanation: An error occurred while writing to side A of a two-sided volume.

System Action: No additional data will be written to side A of this volume. Any remaining space on side A will not be used. An attempt will be made to use the reverse side (side B) of the volume.

User Response: None required if the side B can be used successfully. However, the administrator should investigate the cause of the error and may want to move data from this volume.

ANR1432I **Updating device configuration information to defined files.**

Explanation: The server is updating device configuration information for the files or data sets specified with the DEVCONFIG option in the server options file.

System Action: Server operation continues.

User Response: None.

ANR1433I **Device configuration information successfully written to *file name*.**

Explanation: Device configuration information was successfully written to the file specified.

System Action: Server operation continues.

User Response: None.

ANR1434W **No files have been identified for automatically storing device configuration information.**

Explanation: The server is unable to automatically update device configuration file. No files were identified using the DEVCONFIG option in the server options file.

System Action: Server operation continues.

User Response: If you would like to have the server automatically record device configuration information to assist in server recovery, use the DEVCONFIG option in the server options file to specify where device configuration information should be written. If you update the options file, halt and then restart the server so the changes can take effect.

ANR1435E **Server could not write device configuration information to *devconfig file name*.**

Explanation: While attempting to write device configuration information to defined files, the server cannot write to the file name specified.

System Action: The server cannot write device configuration information to the specified file.

User Response: Examine error messages that may have been displayed prior to this message and correct any problems, if possible. Make sure that the server has proper authority to write to the file indicated and that there is sufficient space in the file system for the file. On MVS, make sure that the data set has been allocated and that the server has authority to write to the data set. After the problem has been corrected, use the BACKUP DEVCONFIG command to write device configuration information to the file.

ANR1436E **Device configuration file *devconfig file name* cannot be opened.**

Explanation: While attempting to write device configuration information to device configuration files, the server cannot open the file name specified.

System Action: The server does not write device configuration information to the file specified.

User Response: Examine error messages that may have been displayed prior to this message and correct any problems, if possible. Make sure that the server has proper authority to write to the file indicated and that there is sufficient space in the file system for the file. On MVS, make sure that the data set has been allocated and that the server has authority to write to the data set. After the problem has been corrected, use the BACKUP DEVCONFIG command to write device configuration information to the file.

ANR1437E **No device configuration files could be used.**

Explanation: The server attempts to read device configuration information from defined files and cannot open any of the files.

System Action: The operation is ended.

User Response: Examine error messages that may have been displayed prior to this message and correct any problems, if possible. Ensure that the defined device configuration files have been created. If you can start the server, you can create the files by using the BACKUP DEVCONFIG command. If you cannot start the server, you will need to create a device configuration file by editing the file and adding the appropriate DEFINE commands for the device class, drive, and library definitions. The contents and requirements for this file are described in the *Administrator's Guide*. Make sure that the server has proper authority to read from the defined device configuration files.

ANR1438W **Skipping device configuration file:** *devconfig file name.*

Explanation: While attempting to read device configuration information from a defined device configuration file, the server encounters problems in processing the definitions included in the file.

System Action: The specified file is skipped, and the next one specified in the server options file will be used.

User Response: Examine error messages that may have been displayed prior to this message to understand why the file could not be used. When you can start the server again, you can refresh this file by using the BACKUP DEVCONFIG command.

ANR1439E **Allocate prohibited - transaction failed.**

Explanation: While attempting to preallocate storage on a storage pool, the server detected that the transaction for this operation has previously failed. This error may occur when a large file is selected for backup and the client did not properly estimate the file size. There may not be enough space in the storage pool for the file.

System Action: An internal error is reported by the server and the operation being performed is ended.

User Response: Examine error messages that may have been displayed prior to this message for more information.

ANR1440I **All drives in use. Process *process number* being preempted by higher priority operation.**

Explanation: When a high priority operation attempted to find an available drive, all the drives were in use. To make a drive available for this operation, the indicated process is being cancelled by the system.

System Action: The lower priority process is cancelled to make a mount point (drive) available.

User Response: When a drive again becomes available, restart the process that was cancelled. If the process was a migration or reclamation process, it will be automatically restarted when needed. If this message appears frequently, you may want to increase the number of drives available. See the MOUNTLIMIT parameter on the UPDATE DEVCLASS command.

ANR1441I **Volume *volume name* is in use. Process *process number* being preempted by higher priority operation.**

Explanation: When a high priority operation attempted to use a volume, it was in use. To make a volume available for this operation, the indicated process is being cancelled by the system.

System Action: The lower priority process is cancelled to the volume available.

User Response: Restart the process that was cancelled. It will wait until the higher priority process is finished with the volume. If the cancelled process was a migration or reclamation process, it will be automatically restarted when needed.

ANR1450E *command name:* **Invalid command script name:** *command script name.*

Explanation: An invalid script name was specified for a DEFINE, UPDATE, or DELETE SCRIPT command.

System Action: The operation fails.

User Response: Reenter the command specifying a valid command name.

ANR1451E *command name:* **Invalid command:** *command.*

Explanation: An invalid command was specified for a DEFINE, UPDATE, or DELETE SCRIPT command.

System Action: The operation fails.

User Response: Reenter the command specifying a valid server command.

ANR1452E *command name:* **Invalid line number:** *line number.*

Explanation: An invalid line number was specified for a DEFINE, UPDATE, or DELETE SCRIPT command.

System Action: The operation fails.

User Response: Reenter the command specifying a valid line number.

ANR1453E *command name:* **Command script *command script name* already exists.**

Explanation: The script name specified in a DEFINE SCRIPT command already exists.

System Action: The operation fails.

User Response: Reenter the command specifying a different command name.

ANR1454I	<i>command name: Command script <i>command script name</i> defined.</i> Explanation: The script name specified in a DEFINE SCRIPT command was successfully defined. System Action: None User Response: None
ANR1455E	<i>command name: Command script <i>command script name</i> does not exist.</i> Explanation: The script name specified in a DEFINE, UPDATE, or DELETE SCRIPT command does not exist. System Action: The operation fails. User Response: Reenter the command specifying a different command name.
ANR1456I	<i>command name: Command script <i>command script name</i> updated.</i> Explanation: The script name specified in an UPDATE SCRIPT command was successfully updated. System Action: None User Response: None
ANR1457I	<i>command name: Command script <i>command script name</i> deleted.</i> Explanation: The script name specified in a DELETE COMMAND command was successfully deleted. System Action: None User Response: None
ANR1458I	<i>command name: Line <i>line number</i> was deleted from command script <i>command script name.</i></i> Explanation: The specified line number was deleted from the command script as a result of a DELETE SCRIPT command. System Action: None User Response: None

ANR1459E *command name: Command script command script name, line line number does not exist.*

Explanation: The line in command script name specified in a UPDATE, or DELETE SCRIPT command does not exist.

System Action: The operation fails.

User Response: Reenter the command specifying a different line number.

ANR1460I *command name: Command script command script name copied to new command script name.*

Explanation: The specified command script was copied to a new script with the COPY SCRIPT command.

System Action: None

User Response: None

ANR1461I *command name: Executing command script command script name.*

Explanation: The specified command script is being executed as a result of a RUN command.

System Action: None

User Response: None

ANR1462I *command name: Command script command script name completed successfully.*

Explanation: The specified command script, started with a RUN command, has successfully completed.

System Action: None

User Response: None

ANR1463E *command name: Command script command script name completed in error.*

Explanation: The specified command script, started with a RUN command, encountered errors.

System Action: Part or all of the command lines in the script ended in error. Command processing is terminated.

User Response: Examine the messages preceeding this message to determine the cause of the error. Correct the command script and reissue the command.

ANR1464E *command name: Command script command script name, line line number, parameter parameter number was not specified: command line.*

Explanation: All parameters required to execute a command script were not specified in the RUN command.

System Action: The command fails.

User Response: Reenter the RUN command specifying all required parameters.

ANR1465E *command name: Command script command script name, line line number, parameter is invalid: command line.*

Explanation: An invalid parameter was encountered in a command script.

System Action: The command fails.

User Response: Correct the script definition and reexecute the RUN command.

ANR1466I *command name: Command script command script name, Line line number : command line.*

Explanation: The specified line for the command script is being executed. The contents of the line being executed are displayed.

System Action: None

User Response: None

ANR1467E *command name: Command script command script name, did not end in a non-continued line command line.*

Explanation: The specified command script did not end in a line that had no continuation character (-).

System Action: The command fails.

User Response: Correct the specified script so that it ends in a line that is not continued to the next line.

ANR1468E *command name: Command script command script name, continued line is too long*

Explanation: The specified command script with continuation lines is too long to be executed.

System Action: The command fails.

User Response: Correct the specified command script so that it is shorter.

ANR1469E *command name: Command script command script name, Line line number is an INVALID command : command line.*

Explanation: The specified line for the command script is not a valid server command. This message is displayed when a RUN command is executed with the PREVIEW=YES parameter specified.

System Action: Command Preview processing fails

User Response: Correct the script and reenter the RUN command.

ANR1470I *command name: Command script command script name completed successfully (PREVIEW mode).*

Explanation: The specified command script, started with a RUN command, has successfully completed.

System Action: None.

User Response: None.

ANR1471E *command name: Command script command script name completed in error (PREVIEW mode).*

Explanation: The specified command script, started with a RUN command, encountered errors.

System Action: Part or all of the command lines in the command script ended in error. Command processing is terminated.

User Response: Examine the messages preceding this message to determine the cause of the error. Correct the script and reissue the command.

ANR1472I *command name: Command script command script name renamed to new command script name.*

Explanation: The specified command script was renamed with the RENAME SCRIPT command.

System Action: None.

User Response: None.

ANR1473E *command name: A command line cannot be specified when the FILE= parameter is used.*

Explanation: The FILE= parameter was specified in the DEFINE SCRIPT command AND a command line was also specified for the SCRIPT. When the FILE= parameter is specified, a command line cannot be specified.

System Action: The command fails.

User Response: Reenter the command without the command line OR the FILE= parameter.

ANR1474E *command name:* **A line number cannot be specified when the FILE= parameter is used.**

Explanation: The FILE= parameter was specified in the DEFINE SCRIPT command AND a line number was also specified for the SCRIPT. When the FILE= parameter is specified, a line number cannot be specified.

System Action: The command fails.

User Response: Reenter the command without the line number OR the FILE= parameter.

ANR1475E *command name:* **File file name could not be opened.**

Explanation: A filename was specified in a command but the specified file could not be opened by the server.

System Action: The command fails.

User Response: Examine any messages that might appear prior to this one in the activity log to determine if the error can be found. If the file was to exist for use by the command, ensure that the file does exist and that the server has proper authority to access the file. If the file was to be created by the command, ensure that the filesystem has sufficient space and that the server has authority to create the file in the location specified.

ANR1476E *command name:* **File file name contains no data.**

Explanation: The FILE= parameter was specified in a command but the specified file did not contain script command lines.

System Action: The command fails.

User Response: Add script command lines to the file or specify another file and reenter the command.

ANR1477E *command name:* **The OUTPUTFILE parameter may only be specified when FORMAT=RAW or FORMAT=MACRO is specified.**

Explanation: The OUTPUTFILE parameter was specified in a QUERY SCRIPT command but the FORMAT parameter did not specify RAW or MACRO output. When outputting the QUERY to a file, you MUST specify RAW or MACRO output format.

System Action: The command fails.

User Response: Reenter the command specifying the proper value for the FORMAT parameter or do not specify the OUTPUTFILE parameter.

ANR1478E *command name: Error writing to file file name.*

Explanation: An error was encountered while writing to the file specified.

System Action: The command fails.

User Response: Examine any messages that might appear prior to this one in the activity log to determine if the error can be found. Ensure that the filesystem has sufficient space and that the server has authority to create the file in the location specified.

ANR1479I *command name: Query output was written to file file name.*

Explanation: The output from the specified query was successfully written to the specified file.

System Action: The command completes successfully.

User Response: None.

ANR1480E *command name: Description text is too long.*

Explanation: The specified description text is too long for a command that allows description text to be specified.

System Action: The command fails.

User Response: Reenter the command specifying a shorter description.

ANR1481E *command name: A command line or description must be specified.*

Explanation: An UPDATE SCRIPT command was specified with out a command line (script line) or description text.

System Action: The command fails.

User Response: Reenter the command specifying a command line or description text.

ANR1482I *command name: Found label statement label on line line number and continuing.*

Explanation: This message is issued during a RUN command (VERBOSE=YES) to indicate that the target label for a GOTO statement was found.

System Action: Command processing continues.

User Response: None.

ANR1483I *command name:* **Line line number condition IF(condition) is NOT true - statement is skipped.**

Explanation: This message is issued during a RUN command (VERBOSE=YES) to indicate that the a return code condition check failed and the IF(..) statement is skipped.

System Action: Command processing continues.

User Response: None.

ANR1484I *command name:* **Line line number condition IF(condition) is TRUE - statement will be executed.**

Explanation: This message is issued during a RUN command (VERBOSE=YES) to indicate that the a return code condition check succeeded and the IF(..) statement is executed.

System Action: Command processing continues.

User Response: None.

ANR1485I *command name:* **Ending SCRIPT with EXIT statement on line line number.**

Explanation: This message is issued during a RUN command (VERBOSE=YES) to indicate that an EXIT statement was encountered and SCRIPT termination will end.

System Action: The SCRIPT command ends.

User Response: None.

ANR1486I *command name:* **Executing line line number GOTO label name.**

Explanation: This message is issued during a RUN command (VERBOSE=YES) to indicate that a GOTO statment was encountered and processing will skip to the named label.

System Action: SCRIPT processing continues.

User Response: None.

ANR1487I *command name:* **Command return code is symbolic return code (return code severity).**

Explanation: This message is issued during a RUN command (VERBOSE=YES) to indicate the return code that was returned from the latest command.

System Action: SCRIPT processing continues.

User Response: None.

ANR1488E *command name:* **Line line number condition IF(condition) is not a valid condition.**

Explanation: This message is issued if an IF() statement in a SCRIPT does not specify proper condition values.

System Action: Command processing fails.

User Response: Reenter the command using valid conditions for the IF() statement.

ANR1489E *command name:* **Line line number is a GOTO to a label (label name) that does not exist or is associated with a line prior to line line number.**

Explanation: This message is issued if a GOTO statement in a SCRIPT does not specify a label that exists in the SCRIPT, or that does exist but is associated with a line prior to the line that contains the GOTO statement.

System Action: Command processing fails.

User Response: Correct the SCRIPT definition and reenter the RUN command.

ANR1490W *command name:* **Command script command script name does not contain any commands.**

Explanation: The script name specified in a RUN command does not contain any commands.

System Action: The RUN operation fails (has nothing to do).

User Response: Server command Scripts that contain no commands will not execute. Add command lines to the Script and re-enter the RUN command.

ANR1491E **Server command scripts cannot be started from the server console.**

Explanation: A server command script RUN command was issued from the server console. Server command scripts cannot be started from the server console because they may require a long time complete and the server console should be available to control other server functions.

System Action: The server ignores the command and continues processing.

User Response: Start the server command script from an administrative client or schedule it for execution using the administrative command scheduler.

ANR1492E *command name:* **A loop has been detected in server command script RUN commands - command failed.**

Explanation: A server command script DEFINE or UPDATE command has created a situation where one or more scripts invoke each other in a loop that can cause the scripts to run indefinitely.

System Action: The command fails to update the server command script.

User Response: Server command scripts can invoke each other, but not in a fashion that causes a potential loop in their execution. Specify the scripts in a manner that does not cause them to invoke each other in a loop.

ANR1493E *Command:* **Administrator** *administrator name* **is not authorized to update or delete command script** *command script name.*

Explanation: The specified administrator has entered the indicated command, but this administrator does not have the proper authority necessary to update or delete this command script. If an administrator does not have system authority, they must have previously created or updated the script.

System Action: The server does not process the command.

User Response: Issue the command from a properly authorized administrator ID, or contact the administrator that created the script.

ANR1494I *command name:* **Command return code is numeric return code.**

Explanation: This message is issued during a RUN command (VERBOSE=YES) to indicate the numeric return code that was returned from the latest command.

System Action: SCRIPT processing continues.

User Response: None.

ANR1496I

Explanation: The ISSUE MESSAGE command with a severity indicator of INFORMATION was issued.

System Action: Server operation continues.

User Response: None.

ANR1497W

Explanation: The ISSUE MESSAGE command with a severity indicator of WARNING was issued.

System Action: Server operation continues.

User Response: None.

ANR1498E

Explanation: The ISSUE MESSAGE command with a severity indicator of ERROR was issued.

System Action: Server operation continues.

User Response: None.

ANR1499S

Explanation: The ISSUE MESSAGE command with a severity indicator of SEVERE was issued.

System Action: Server operation continues.

User Response: None.

ANR1500I

Policy domain *domain name* defined.

Explanation: In response to the DEFINE DOMAIN command, the policy domain *domain name* has been defined in the server database.

System Action: Server operation continues.

User Response: None.

ANR1501I

Policy domain *domain name* deleted.

Explanation: In response to the DELETE DOMAIN command, the policy domain *domain name* has been deleted from the server database. All policy sets, management classes, copy groups, and schedules related to the domain have also been removed.

System Action: Server operation continues.

User Response: None.

ANR1502I

Policy domain *domain name* updated.

Explanation: In response to the UPDATE DOMAIN command, the policy domain *domain name* has been updated in the server database.

System Action: Server operation continues.

User Response: None.

-
- ANR1503I** **Policy domain** *domain name* **copied to domain** *target domain*.
- Explanation:** In response to the COPY DOMAIN command, the policy domain *domain name* has been copied to a new policy domain named *target domain*. All policy sets, management classes, and copy groups are also copied to the *target domain* policy domain.
- System Action:** Server operation continues.
- User Response:** None.
-
- ANR1504I** **Command: No matching domains.**
- Explanation:** The server cannot find any policy domains with names that match the specification entered in the command *command*.
- System Action:** Server operation continues.
- User Response:** Reissue the command with a specification that matches an existing policy domain name. Use the QUERY DOMAIN command to obtain a list of the names of existing policy domains.
-
- ANR1510I** **Policy set** *set name* **defined in policy domain** *domain name*.
- Explanation:** In response to the DEFINE POLICYSET command, the policy set named *set name* has been defined in the policy domain named *domain name* in the server database.
- System Action:** Server operation continues.
- User Response:** None.
-
- ANR1511I** **Policy set** *set name* **deleted from policy domain** *domain name*.
- Explanation:** In response to the DELETE POLICYSET command, the policy set *set name* has been deleted from the policy domain *domain name* in the server database.
- System Action:** Server operation continues.
- User Response:** None.
-
- ANR1512I** **Policy set** *set name* **updated in policy domain** *domain name*.
- Explanation:** In response to the UPDATE POLICYSET command, the policy set *set name* has been updated in the policy domain *domain name* in the server database.
- System Action:** Server operation continues.
-

User Response: None.

ANR1513I **Policy set *set name* copied to set *new set name* in policy domain *domain name*.**

Explanation: In response to the COPY POLICYSET command, the policy set *set name* has been copied to the policy set *new set name* in the policy domain named *domain name*. All management classes and copy groups are also copied to the policy set *new set name*.

System Action: Server operation continues.

User Response: None.

ANR1514I **Policy set *set name* activated in policy domain *domain name*.**

Explanation: In response to the ACTIVATE POLICYSET command, the policy set *set name* has been activated in the policy domain *domain name*. All management class and copy group definitions in the policy set will be used by clients that start sessions after this command is committed. Clients that currently have sessions established with the server will use the policy definitions in the previously active policy set for the domain.

System Action: The server replaces the active management class and copy group definitions for the policy domain with the definitions found in the specified policy set. These values are returned to client nodes that start a session with the server after this command is committed to the server database.

User Response: None.

ANR1515I **Policy set *set name* validated in domain *domain name* (ready for activation).**

Explanation: This message may be displayed in response to a VALIDATE POLICYSET command. The policy set *set name* has been checked in the domain *domain name* to see if the management class and copy group definitions are adequate for activating the policy set. This message indicates that the policy set may be activated. Warning messages may be issued prior to this message if there are discrepancies in the policy set with respect to the set that is currently active in the policy domain.

System Action: The server checks its definitions to determine the policy set's qualifications for activation. The server does not activate the policy set.

User Response: If you are satisfied with any warning messages that may have been issued prior to this message concerning any possible discrepancies in the policy set, issue the ACTIVATE POLICYSET command to activate the policy set in the policy domain. Otherwise, correct the discrepancies prior to activating the policy set. Before the ACTIVATE POLICYSET command is used to activate the policy set, use the validate command to check policy set contents.

ANR1520I Management class *class name* defined in policy domain *domain name*, set *set name*.

Explanation: In response to the DEFINE MGMTCLASS command, the management class named *class name* has been defined in the policy set *set name* belonging to the policy domain named *domain name*.

System Action: Server operation continues.

User Response: None.

ANR1521I Management class *class name* deleted from policy domain *domain name*, set *set name*.

Explanation: In response to a DELETE MGMTCLASS command, the management class named *class name* has been deleted from the policy set *set name* belonging to the policy domain *domain name*. All copy groups defined for the management class are also removed.

System Action: Server operation continues.

User Response: None.

ANR1522I Management class *class name* updated in policy domain *domain name*, set *set name*.

Explanation: In response to the UPDATE MGMTCLASS command, the management class named *class name* has been updated in the policy domain *domain name*, policy set *set name*.

System Action: Server operation continues.

User Response: None.

ANR1523I Management class *class name* copied to class *new class name* in policy domain *domain name*, set *set name*.

Explanation: In response to the COPY MGMTCLASS command, the management class named *class name* has been copied to a new management class named *new class name* in policy set *set name* belonging to policy domain *domain name*. All copy groups defined for management class *class name* are also copied to management class *new class name*.

System Action: Server operation continues.

User Response: None.

ANR1530I **Backup copy group** *group name* **defined in policy domain** *domain name*, **set** *set name*, **management class** *class name*.

Explanation: In response to the DEFINE COPYGROUP command, a backup copy group named *group name* has been defined for the management class named *class name* in the policy set *set name* belonging to policy domain *domain name*.

System Action: Server operation continues.

User Response: None.

ANR1531I **Backup copy group** *group name* **deleted from policy domain** *domain name*, **set** *set name*, **management class** *class name*.

Explanation: In response to the DELETE COPYGROUP command, the backup copy group named *group name* has been deleted from the management class named *class name* in the policy set *set name* belonging to policy domain *domain name*.

System Action: Server operation continues.

User Response: None.

ANR1532I **Backup copy group** *group name* **updated in policy domain** *domain name*, **set** *set name*, **management class** *class name*.

Explanation: In response to the UPDATE COPYGROUP command, the backup copy group named *group name* has been updated in the management class named *class name* in the policy set *set name* belonging to policy domain *domain name*.

System Action: Server operation continues.

User Response: None.

ANR1535I **Archive copy group** *group name* **defined in policy domain** *domain name*, **set** *set name*, **management class** *class name*.

Explanation: In response to the DEFINE COPYGROUP command, an archive copy group named *group name* has been defined for the management class named *class name* in the policy set *set name* belonging to policy domain *domain name*.

System Action: Server operation continues.

User Response: None.

-
- ANR1536I** **Archive copy group** *group name* **deleted from policy domain** *domain name*, **set** *set name*, **management class** *class name*.
- Explanation:** In response to the DELETE COPYGROUP command, the archive copy group named *group name* has been deleted from the management class named *class name* in the policy set *set name* belonging to policy domain *domain name*.
- System Action:** Server operation continues.
- User Response:** None.
-
- ANR1537I** **Archive copy group** *group name* **updated in policy domain** *domain name*, **set** *set name*, **management class** *class name*.
- Explanation:** In response to the UPDATE COPYGROUP command, the archive copy group named *group name* has been updated in the management class named *class name* in the policy set *set name* belonging to policy domain *domain name*.
- System Action:** Server operation continues.
- User Response:** None.
-
- ANR1538I** **Default management class set to** *class name* **for policy domain** *domain name*, **set** *set name*.
- Explanation:** The default management class for the policy set *set name* in policy domain *domain name* has been set to the management class named *class name*.
- System Action:** If this policy set is activated, clients use this management class for backup-archive processing by default, or if other management classes specified for binding do not exist in the policy set.
- User Response:** None.
-
- ANR1550W** **Management class** *class name* **is NOT defined in policy set** *set name* **but IS defined in the ACTIVE policy set for domain** *domain name*: **files bound to this management class will be REBOUND to the default management class if/when this set is activated.**
- Explanation:** This message may be returned from the VALIDATE POLICYSET or ACTIVATE POLICYSET command. During policy set validation processing, the server has found a management class named *class name* in the currently active policy set, but not defined in the policy set being validated or activated (*set name*). If policy set *set name* is activated, files bound to this management class in domain *domain name* are automatically rebound to the default management class in policy set *set name*.
- System Action:** Server operation continues.
-

User Response: If you do not want files to be rebound to the default management class, define a management class with the name specified in the message for the policy set. To define the proper copy group attributes, reference the management class definition in the ACTIVE policy set or copy the management class *class name* from the ACTIVE policy set to policy set *set name* using the COPY MGMTCLAS command.

ANR1551W **BACKUP copygroup *group name* in management class *class name* is NOT defined in policy set *set name* but is defined in the ACTIVE policy set for domain *domain name*: files bound to this management class will no longer be backed up if/when *set name* is activated.**

Explanation: This message may be returned from the VALIDATE POLICYSET or ACTIVATE POLICYSET command. During policy set validation processing, the server has found a backup copy group named *group name* for management class *class name* in the currently active policy set, but the copy group is not defined for the management class in the policy set being validated or activated (*set name*). If policy set *set name* is activated, files bound to management class *class name* in domain *domain name* will no longer be eligible for backup processing.

System Action: Server operation continues.

User Response: If you want files bound to this management class to be eligible for backup processing, define an archive copy group for management class *class name* by using the DEFINE COPYGROUP command.

ANR1552W **ARCHIVE copygroup *group name* in management class *class name* is NOT defined in policy set *set name* but is defined in the ACTIVE policy set for domain *domain name*: files bound to this management class will no longer be archived if/when *set name* is activated.**

Explanation: This message may be returned from the VALIDATE POLICYSET or ACTIVATE POLICYSET command. During policy set validation processing, the server has found an archive copy group named *group name* for management class *class name* in the currently active policy set, but the copy group is not defined for the management class in the policy set being validated or activated (*set name*). If policy set *set name* is activated, files bound to management class *class name* in domain *domain name* will no longer be eligible for archive processing.

System Action: Server operation continues.

User Response: If you want files bound to this management class to be eligible for archive processing, define an archive copy group for management class *class name* by using the DEFINE COPYGROUP command.

ANR1553W **DEFAULT Management class *class name* in policy set *domain name set name* does not have a BACKUP copygroup: files will not be backed up by default if this set is activated.**

Explanation: This message may be returned from the VALIDATE POLICYSET or ACTIVATE POLICYSET command. During policy set validation for policy set *set name* in policy domain *domain name*, the server has found that the default management class named *class name* does not have a backup copy group. This message warns the administrator that activation of this policy set results in client files not being backed up, unless they are bound to a management class (which has a copy group) other than the default.

System Action: Server operation continues.

User Response: To define a backup copy group for the management class, issue the DEFINE COPYGROUP command. To assign a different default management class for the domain, issue the ASSIGN DEFMGMTCLASS command. Take either action if you want files to be backed up by default.

ANR1554W **DEFAULT Management class *class name* in policy set *domain name set name* does not have an ARCHIVE copygroup: files will not be archived by default if this set is activated.**

Explanation: This message may be returned from the VALIDATE POLICYSET or ACTIVATE POLICYSET command. During policy set validation for policy set *set name* in policy domain *domain name*, the server has found that the default management class named *class name* does not have an archive copy group. This message warns the administrator that activation of this policy set will result in client files not being allowed archive processing unless they are bound to a management class (which has an archive copy group) other than the default.

System Action: Server operation continues.

User Response: To define a backup copy group for the management class, issue the DEFINE COPYGROUP command. To assign a different default management class for the domain, issue the ASSIGN DEFMGMTCLASS command. Take either action if you want files to be eligible for archive processing by default.

ANR1555W **The BACKUP copy group in management class *management class name* specifies a destination that does not refer to a defined storage pool: *storage pool name*. If this pool does not exist when policy set *policy set name* is activated, clients will fail when using this management class to backup files to the server.**

Explanation: This message may be returned from the VALIDATE POLICYSET or ACTIVATE POLICYSET command. During policy set validation for *set name*, the server has found a backup copy group destination that references an undefined storage pool named *pool name*. If this storage pool is undefined when the policy set

is activated, backup or archive operations will fail for clients with files bound to the management class whose copy groups reference this pool.

System Action: Server operation continues.

User Response: To locate the copy groups that refer to the undefined storage pool, issue the QUERY COPYGROUP command. To change the destination to refer to an existing storage pool, issue the UPDATE COPYGROUP command. To define the storage pool, an authorized administrator can issue the DEFINE STGPOOL command.

ANR1556W

The ARCHIVE copy group in management class *management class name* specifies a destination that does not refer to a defined storage pool: *storage pool name*. If this pool does not exist when policy set *policy set name* is activated, clients will fail when using this management class to archive files to the server.

Explanation: This message may be returned from the VALIDATE POLICYSET or ACTIVATE POLICYSET command. During policy set validation for *set name*, the server has found a archive copy group destination that references an undefined storage pool named *pool name*. If this storage pool is undefined when the policy set is activated, backup or archive operations will fail for clients with files bound to the management class whose copy groups reference this pool.

System Action: Server operation continues.

User Response: To locate the copy groups that refer to the undefined storage pool, issue the QUERY COPYGROUP command. To change the destination to refer to an existing storage pool, issue the UPDATE COPYGROUP command. To define the storage pool, an authorized administrator can issue the DEFINE STGPOOL command.

ANR1557W

The space management migration destination in management class *management class name* does not refer to a defined storage pool: *storage pool name*. If this pool does not exist when policy set *policy set name* is activated, clients will fail when using this management class to migrate space-managed files to the server.

Explanation: This message may be returned from the VALIDATE POLICYSET or ACTIVATE POLICYSET command. During policy set validation for *set name*, the server has found a space management migration destination that references an undefined storage pool named *pool name*. If this storage pool is undefined when the policy set is activated, space management migration operations will fail for clients with files bound to the management class that references this pool.

System Action: Server operation continues.

User Response: To locate the management class that refers to the undefined storage pool, issue the QUERY MGMTCLASS command. To change the destination

to refer to an existing storage pool, issue the UPDATE MGMTCLASS command. To define the storage pool, an authorized administrator can issue the DEFINE STGPOOL command.

ANR1558E

The space management migration destination in management class *management class name* in policy set *policy set name* refers to copy storage pool: *storage pool name*. Copy storage pools are not a valid migration destination.

Explanation: This message may be returned from the VALIDATE POLICYSET or ACTIVATE POLICYSET command. During policy set validation for *set name*, the server has found a space management migration destination that references a copy storage pool named *pool name*.

System Action: Server operation continues. The policy set is not activated.

User Response: To locate the management class that refers to the copy storage pool, issue the QUERY MGMTCLASS command. To change the destination to refer to a non-copy storage pool, issue the UPDATE MGMTCLASS command.

ANR1559E

The copy group destination for type *copy group type* in management class *management class name* in policy set *policy set name* refers to copy storage pool: *storage pool name*. Copy storage pools are not a valid copy group destination.

Explanation: This message may be returned from the VALIDATE POLICYSET or ACTIVATE POLICYSET command. During policy set validation for *set name*, the server has found a copy group destination that references a copy storage pool named *pool name*.

System Action: Server operation continues. The policy set is not activated.

User Response: To locate the management class that refers to the copy storage pool, issue the QUERY MGMTCLASS command. To change the destination to refer to a non-copy storage pool, issue the UPDATE MGMTCLASS command.

ANR1560E

Command: Invalid policy domain name - *domain name*.

Explanation: Server processing for the command *command* fails because the policy domain name *domain name* specified does not contain valid characters or contains too many characters.

System Action: Database changes for the command are rolled back and server operation continues. The command is not successful in changing the server database.

User Response: Reissue the command and specify a policy domain name that conforms to these name requirements. For information on the character and length specifications for valid policy domain names, refer to the *Administrator's Reference* for your particular platform.

ANR1561E

Command: *Missing policy domain name.*

Explanation: Server processing for the command *command* fails because the required policy domain parameter has not been specified.

System Action: Database changes for the command are rolled back and server operation continues. The command is not successful in changing the server database.

User Response: Reissue the command and specify a valid policy domain name.

ANR1562E

Command: *Policy domain description exceeds length limit characters.*

Explanation: Server processing for the command *command* fails because the policy domain description specified is longer than the *length limit* number of characters allowed.

System Action: Database changes for the command are rolled back and server operation continues. The command is not successful in changing the server database.

User Response: Reissue the command and specify a shorter policy domain description.

ANR1563E

Command: *Invalid retention period for BACKRETN parameter - retention value.*

Explanation: Server processing for the copy group command *command* fails because the value (*retention value*) specified for the BACKRETN parameter is not valid.

System Action: Database changes for the command are rolled back and server operation continues. The command is not successful in changing the server database.

User Response: Reissue the command and specify a valid BACKRETN value. For valid BACKRETN values for the DEFINE COPYGROUP or UPDATE COPYGROUP commands, refer to the *Administrator's Reference* for your particular platform.

ANR1564E

Command: *Invalid retention period for ARCHRETN parameter - retention value.*

Explanation: Server processing for the copy group command *command* fails because the value (*retention value*) specified for the ARCHRETN parameter is not valid.

System Action: Database changes for the command are rolled back and server operation continues. The command is not successful in changing the server database.

User Response: Reissue the command and specify a valid ARCHRETN value. For valid ARCHRETN values for the DEFINE COPYGROUP or UPDATE COPYGROUP commands, refer to the *Administrator's Reference* for your particular platform.

-
- ANR1565E** *Command: Invalid policy set name - set name.*
- Explanation:** Server processing for the command *command* fails because the policy set name *set name* specified does not contain valid characters or contains too many characters.
- System Action:** Database changes for the command are rolled back and server operation continues. The command is not successful in changing the server database.
- User Response:** Reissue the command and specify a policy set name that conforms to valid name requirements. For information on the character and length specifications for valid policy set names, refer to the *Administrator's Reference* for your particular platform.
-
- ANR1566E** *Command: Policy set description exceeds length limit characters.*
- Explanation:** Server processing for the command *command* fails because the policy set description specified is longer than the *length limit* number of characters allowed.
- System Action:** Database changes for the command are rolled back and server operation continues. The command is not successful in changing the server database.
- User Response:** Reissue the command and specify a shorter policy set description.
-
- ANR1567E** *Command: Invalid management class name - class name.*
- Explanation:** Server processing for the command *command* fails because the management class name *class name* specified does not contain valid characters or contains too many characters.
- System Action:** Database changes for the command are rolled back and server operation continues. The command is not successful in changing the server database.
- User Response:** Reissue the command and specify a management class name that conforms to valid name requirements. For information on the character and length specifications for valid management class names, refer to the *Administrator's Reference* for your particular platform.
-
- ANR1568E** *Command: Management class description exceeds length limit characters.*
- Explanation:** Server processing for the command *command* fails because the management class description specified is longer than the *length limit* number of characters allowed.
- System Action:** Database changes for the command are rolled back and server operation continues. The command is not successful in changing the server database.
-

User Response: Reissue the command and specify a shorter management class description. Refer to the *Administrator's Guide* for your particular platform for more information.

ANR1569E

Command: *Invalid copy group name - group name.*

Explanation: Server processing for the command *command* fails because the copy group name *group name* specified does not contain valid characters or contains too many characters.

System Action: Database changes for the command are rolled back and server operation continues. The command is not successful in changing the server database.

User Response: Reissue the command and specify a copy group name that conforms to valid name requirements. For information on the character and length specifications for valid copy group names, refer to the *Administrator's Reference* for your particular platform.

ANR1570E

Command: *Invalid copy frequency - frequency value.*

Explanation: Server processing for the copy group command *command* fails because the value (*frequency value*) specified for the FREQUENCY parameter is not valid.

System Action: Database changes for the command are rolled back and server operation continues. The command is not successful in changing the server database.

User Response: Reissue the command and specify a valid FREQUENCY value. For valid FREQUENCY values for the DEFINE COPYGROUP or UPDATE COPYGROUP commands, refer to the *Administrator's Reference* for your particular platform.

ANR1571E

Command: *Invalid copy destination - pool name.*

Explanation: Server processing for the command *command* fails because the storage pool name *pool name* specified for the copy group destination does not contain valid characters or contains too many characters.

System Action: Database changes for the command are rolled back and server operation continues. The command is not successful in changing the server database.

User Response: Reissue the command and specify a storage pool name that conforms to valid name requirements. For information on the character and length specifications for valid storage pool names, refer to the *Administrator's Reference* for your particular platform. For a list of names of defined storage pools, issue the QUERY STGPOOL command.

-
- ANR1572E** *Command: Missing copy destination.*
- Explanation:** Server processing for the copy group command *command* fails because the required copy group destination is not specified.
- System Action:** Database changes for the command are rolled back and server operation continues. The command is not successful in changing the server database.
- User Response:** Reissue the command and specify the required copy group destination (DEST).
-
- ANR1573E** *Command: Invalid copy type - type value.*
- Explanation:** Server processing for the copy group command *command* fails because the value (*type value*) specified for the TYPE parameter is not valid.
- System Action:** Database changes for the command are rolled back and server operation continues. The command is not successful in changing the server database.
- User Response:** Reissue the command and specify a valid TYPE value. For valid TYPE values for the DEFINE COPYGROUP or UPDATE COPYGROUP commands, refer to the *Administrator's Reference* for your particular platform.
-
- ANR1574E** *Command: Invalid version count for VEREXISTS parameter - version value.*
- Explanation:** Server processing for the copy group command *command* fails because the value (*version value*) specified for the VEREXISTS parameter is not valid.
- System Action:** Database changes for the command are rolled back and server operation continues. The command is not successful in changing the server database.
- User Response:** Reissue the command and specify a valid VEREXISTS value. For valid VEREXISTS values for the DEFINE COPYGROUP or UPDATE COPYGROUP commands, refer to the *Administrator's Reference* for your particular platform.
-
- ANR1575E** *Command: Invalid version count for VERDELETED parameter - version value.*
- Explanation:** Server processing for the copy group command *command* fails because the value (*version value*) specified for the VERDELETED parameter is not valid.
- System Action:** Database changes for the command are rolled back and server operation continues. The command is not successful in changing the server database.
-

User Response: Reissue the command and specify a valid VERDELETED value. For valid VERDELETED values for the DEFINE COPYGROUP or UPDATE COPYGROUP commands, refer to the *Administrator's Reference* for your particular platform.

ANR1576E *Command: Invalid retention period for RETEXTRA parameter - retention value.*

Explanation: Server processing for the copy group command *command* fails because the value (*retention value*) specified for the RETEXTRA parameter is not valid.

System Action: Database changes for the command are rolled back and server operation continues. The command is not successful in changing the server database.

User Response: Reissue the command and specify a valid RETEXTRA value. For valid RETEXTRA values for the DEFINE COPYGROUP or UPDATE COPYGROUP commands, refer to the *Administrator's Reference* for your particular platform.

ANR1577E *Command: Invalid retention period for RETONLY parameter - retention value.*

Explanation: Server processing for the copy group command *command* fails because the value (*retention value*) specified for the RETONLY parameter is not valid.

System Action: Database changes for the command are rolled back and server operation continues. The command is not successful in changing the server database.

User Response: Reissue the command and specify a valid RETONLY value. For valid RETONLY values for the DEFINE COPYGROUP or UPDATE COPYGROUP commands, refer to the *Administrator's Reference* for your particular platform.

ANR1578E *Command: Invalid version count for RETVER parameter - retention value.*

Explanation: Server processing for the copy group command *command* fails because the value (*retention value*) specified for the RETVER parameter is not valid.

System Action: Database changes for the command are rolled back and server operation continues. The command is not successful in changing the server database.

User Response: Reissue the command and specify a valid RETVER value. For valid RETVER values for the DEFINE COPYGROUP or UPDATE COPYGROUP commands, refer to the *Administrator's Reference* for your particular platform.

-
- ANR1579E** *Command: Invalid copy mode - mode value.*
- Explanation:** Server processing for the copy group command *command* fails because the value (*mode value*) specified for the MODE parameter is not valid.
- System Action:** Database changes for the command are rolled back and server operation continues. The command is not successful in changing the server database.
- User Response:** Reissue the command and specify a valid MODE value. For valid MODE values for the DEFINE COPYGROUP or UPDATE COPYGROUP commands, refer to the *Administrator's Reference* for your particular platform.
-
- ANR1580E** *Command: Invalid copy serialization mode - serialization value.*
- Explanation:** Server processing for the copy group command *command* fails because the value (*serialization value*) specified for the SERIALIZATION parameter is not valid.
- System Action:** Database changes for the command are rolled back and server operation continues. The command is not successful in changing the server database.
- User Response:** Reissue the command and specify a valid SERIALIZATION value. For valid SERIALIZATION values for the DEFINE COPYGROUP or UPDATE COPYGROUP commands, refer to the *Administrator's Reference* for your particular platform.
-
- ANR1581E** *Command: The option option is valid only for backup copy groups.*
- Explanation:** Server processing for the archive copy group command *command* fails because the *option* specified is only valid for backup copy group definitions.
- System Action:** Database changes for the command are rolled back and server operation continues. The command is not successful in changing the server database.
- User Response:** Reissue the command specifying valid archive copy group options, or specify TYPE=BACKUP if the intent is to operate on a backup copy group. For valid archive copy group options, refer to the *Administrator's Reference* and *Administrator's Guide* for your particular platform.
-
- ANR1582E** *Command: The option option is valid only for archive copy groups.*
- Explanation:** Server processing for the backup copy group command *command* fails because the *option* specified is only valid for archive copy group definitions.
- System Action:** Database changes for the command are rolled back and server operation continues. The command is not successful in changing the server database.
- User Response:** Reissue the command specifying valid backup copy group options, or specifying TYPE=ARCHIVE if the intent is to operate on an archive
-

copy group. For valid backup copy group options, refer to the *Administrator's Reference* and *Administrator's Guide* for your particular platform.

ANR1583E *Command: Copy frequency for archive copy groups must be CMD - frequency value is not valid.*

Explanation: Server processing for the archive copy group command *command* fails because a value other than CMD has been specified for the FREQUENCY parameter. The only value that may be specified for the archive copy group FREQUENCY parameter is CMD.

System Action: Database changes for the command are rolled back and server operation continues. The command is not successful in changing the server database.

User Response: Reissue the command specifying CMD for the FREQUENCY parameter, or omitting the FREQUENCY parameter because the default value for FREQUENCY is CMD for archive copy groups. For valid archive copy group options, refer to the *Administrator's Reference* and *Administrator's Guide* for your particular platform.

ANR1584E *Command: Copy mode for archive copy groups must be ABSOLUTE - mode value is not valid.*

Explanation: Server processing for the archive copy group command *command* fails because a value other than ABSOLUTE has been specified for the MODE parameter. The only value that may be specified for the archive copy group MODE parameter is ABSOLUTE.

System Action: Database changes for the command are rolled back and server operation continues. The command is not successful in changing the server database.

User Response: Reissue the command specifying ABSOLUTE for the MODE parameter, or omitting the MODE parameter because the default value for MODE is ABSOLUTE for archive copy groups. For valid archive copy group options, refer to the *Administrator's Reference* and *Administrator's Guide* for your particular platform.

ANR1585E *Command: Policy set ACTIVE cannot be modified.*

Explanation: Server processing for the command *command* fails because the policy set name ACTIVE is specified. Objects in the ACTIVE policy set for a domain may only be changed through activation of another policy set.

System Action: Database changes for the command are rolled back and server operation continues. The command is not successful in changing the server database.

User Response: Reissue the command specifying a policy set other than ACTIVE. To copy the ACTIVE policy set for a policy domain to another name so that

commands may be used to change its contents, issue the COPY POLICYSET command. Then to activate the changes, issue the ACTIVATE POLICYSET command.

ANR1586E

Command: Invalid migration destination - pool name.

Explanation: Server processing for the command *command* fails because the storage pool name *pool name* specified for the migration destination is a copy pool. A copy pool is not a valid migration destination.

System Action: Database changes for the command are rolled back and server operation continues. The command is not successful in changing the server database.

User Response: Reissue the command using a storage pool name that is not a copy pool. For a list of names of defined storage pools, issue the QUERY STGPOOL command.

ANR1587E

Command: Invalid copy group destination - pool name.

Explanation: Server processing for the command *command* fails because the storage pool name *pool name* specified for the copy group destination is a copy pool. A copy pool is not a valid copy group destination.

System Action: Database changes for the command are rolled back and server operation continues. The command is not successful in changing the server database.

User Response: Reissue the command using a storage pool name that is not a copy pool. For a list of names of defined storage pools, issue the QUERY STGPOOL command.

ANR1590E

Command: Policy domain domain name is not defined.

Explanation: Server processing for the command *command* fails because the policy domain name *domain name* specified does not refer to a defined policy domain in the server database.

System Action: Database changes for the command are rolled back and server operation continues. The command is not successful in changing the server database.

User Response: Reissue the command specifying a policy domain name that is defined in the server database. For a list of the names of defined policy domains in the server database, issue the QUERY DOMAIN command.

ANR1591E

Command: Policy domain domain name is already defined.

Explanation: Server processing for the command *command* fails because the policy domain name *domain name* specified refers to a policy domain that is already defined in the server database.

System Action: Database changes for the command are rolled back and server operation continues. The command is not successful in changing the server database.

User Response: Reissue the command specifying a policy domain name that is not defined in the server database. For a list of the names of defined policy domains in the server database, issue the QUERY DOMAIN command.

ANR1592E

Command: Policy domain *domain name* still contains at least one policy set.

Explanation: Server processing for the delete command *command* fails because the policy domain name *domain name* specified refers to a policy domain that still contains at least one policy set.

System Action: Database changes for the command are rolled back and server operation continues. The command is not successful in changing the server database.

User Response: To delete the policy set from the policy domain, issue the DELETE POLICYSET command.

ANR1593E

Command: Policy domain *domain name* still contains at least one node.

Explanation: Server processing for the delete command *command* fails because the policy domain name *domain name* specified refers to a policy domain that still contains at least one node. A policy domain cannot be deleted if one or more client nodes are still assigned to the domain.

System Action: Database changes for the command are rolled back and server operation continues. The command is not successful in changing the server database.

User Response: To remove remaining nodes from the policy domain, issue the REMOVE NODE command. After all nodes are removed, issue the delete command again.

ANR1594E

Command: Policy domain *domain name* has no active policy set.

Explanation: Server processing for the update or register node command *command* fails because the policy domain name *domain name* specified refers to a policy domain that does not have an active policy set defined. Nodes cannot be assigned to policy domains that do not have an active policy set.

System Action: Database changes for the command are rolled back and server operation continues. The command is not successful in changing the server database.

User Response: To activate a policy set for the specified policy domain, issue the ACTIVATE POLICYSET command. After a policy set has been activated, client nodes may be assigned to the policy domain.

-
- ANR1595E** *Command: Policy set set name is not defined in policy domain domain name.*
- Explanation:** Server processing for the command *command* fails because the policy set name *set name* specified does not refer to a defined set in policy domain *domain name* in the server database.
- System Action:** Database changes for the command are rolled back and server operation continues. The command is not successful in changing the server database.
- User Response:** Reissue the command specifying a policy set name that is defined in the policy domain. For a list of the names of defined policy sets in the policy domain, issue the QUERY POLICYSET command.
-
- ANR1596E** *Command: Policy set set name is already defined in policy domain domain name.*
- Explanation:** Server processing for the command *command* fails because the policy set name *set name* specified refers to a policy set that is already defined in policy domain *domain name*.
- System Action:** Database changes for the command are rolled back and server operation continues. The command is not successful in changing the server database.
- User Response:** Reissue the command specifying a policy set name that is not defined in the policy domain. For a list of the names of defined policy sets in the policy domain, issue the QUERY POLICYSET command.
-
- ANR1597E** *policy set command: Policy set set name in domain domain name still contains at least one management class.*
- Explanation:** The *policy set command* failed because the set still contains at least one management class definition.
- System Action:** The command fails and server operation continues.
- User Response:** Remove the remaining management classes from the policy set and reissue the command.
-
- ANR1598E** *Command: No default management class has been assigned for policy set set name in domain domain name.*
- Explanation:** Server processing for the command *command* fails because the policy set *set name* in policy domain *domain name* does not have a default management class assigned.
- System Action:** Database changes for the command are rolled back and server operation continues. The command is not successful in changing the server database.
- User Response:** To assign a default management class in the policy set, issue the ASSIGN DEFMGMTCLASS command.
-

ANR1599E *Command: Management class class name is not defined in policy domain domain name, set set name.*

Explanation: Server processing for the command *command* fails because the management class name *class name* specified does not refer to a defined management class in policy set *set name* belonging to policy domain *domain name*.

System Action: Database changes for the command are rolled back and server operation continues. The command is not successful in changing the server database.

User Response: Reissue the command specifying a policy set name that is defined in the policy domain. For a list of the names of defined policy sets in the policy domain, issue the QUERY POLICYSET command.

ANR1600E *Command: Management class class name is already defined in policy domain domain name, set set name.*

Explanation: Server processing for the command *command* fails because the specified management class name *class name* refers to a management class that is already defined in policy set *set name* belonging to policy domain *domain name*.

System Action: Database changes for the command are rolled back and server operation continues. The command is not successful in changing the server database.

User Response: Reissue the command specifying a management class name that is not defined in the policy set. For a list of the names of defined management classes in the policy domain and policy set, issue the QUERY MGMTCLASS command.

ANR1602E *Command: Backup copy group group name is not defined in policy domain domain name, set set name, management class class name.*

Explanation: Server processing for the command *command* fails because the backup copy group named *group name* specified for management class *class name* does not refer to a defined backup copy group in policy set *set name* belonging to policy domain *domain name*.

System Action: Database changes for the command are rolled back and server operation continues. The command is not successful in changing the server database.

User Response: Reissue the command specifying a copy group name that is defined. For a list of the names of defined copy groups and management classes in the policy domain or policy set, issue the QUERY COPYGROUP command.

ANR1603E *Command: Backup copy group **group name** is already defined in policy domain **domain name**, set **set name**, management class **class name**.*

Explanation: Server processing for the command *command* fails because the specified backup copy group named *group name* refers to a copy group that is already defined for management class (*class name*) in policy set *set name* belonging to policy domain *domain name*.

System Action: Database changes for the command are rolled back and server operation continues. The command is not successful in changing the server database.

User Response: Reissue the command specifying a copy group that is not defined in the policy set. For a list of the names of defined copy groups for management classes in the policy domain and policy set, issue the QUERY COPYGROUP command.

ANR1604E *Command: Archive copy group **group name** is not defined in policy domain **domain name**, set **set name**, management class **class name**.*

Explanation: Server processing for the command *command* fails because the archive copy group named *group name* specified for management class *class name* does not refer to a defined archive copy group in policy set *set name* belonging to policy domain *domain name*.

System Action: Database changes for the command are rolled back and server operation continues. The command is not successful in changing the server database.

User Response: Reissue the command specifying a copy group name that is defined. For a list of the names of defined copy groups and management classes in the policy domain or policy set, issue the QUERY COPYGROUP command.

ANR1605E *Command: Archive copy group **group name** is already defined in policy domain **domain name**, set **set name**, management class **class name**.*

Explanation: Server processing for the command *command* fails because the specified archive copy group named *group name* refers to a copy group that is already defined for management class *class name* in policy set *set name* belonging to policy domain *domain name*.

System Action: Database changes for the command are rolled back and server operation continues. The command is not successful in changing the server database.

User Response: Reissue the command specifying a copy group that is not defined in the policy set. For a list of the names of defined copy groups for management classes in the policy domain and policy set, issue the QUERY COPYGROUP command.

ANR1606E **Out of server LOG space in accessing policy tables.**

Explanation: The server ends a database update transaction for policy information because sufficient log space is not available on the server.

System Action: The policy operation is ended and server operation continues.

User Response: An authorized administrator can issue the DEFINE LOGVOLUME command to add volumes for use by the log and can issue the EXTEND LOG command to extend the size of the log so that the new volumes are used.

ANR1607E **Out of server DB space in accessing policy tables.**

Explanation: The server ends a database update transaction for policy information because sufficient database space is not available on the server.

System Action: The policy operation is ended and server operation continues.

User Response: An authorized administrator can issue the DEFINE DBVOLUME command to add volumes for use by the database and can issue the EXTEND DB command to extend the size of the database so that the new volumes are used.

ANR1608E **Error fetching entry for domain *domain name*, set *set name*.**

Explanation: An internal server database error occurs while retrieving policy information for policy set *set name* in domain *domain name*.

System Action: The policy operation is ended and server operation continues.

User Response: Examine the server messages issued prior to this message to determine the source of the error. Use the QUERY ACTLOG command to view the activity log and search for messages. If the error cannot be isolated and resolved, contact your service representative.

ANR1609E **Policy error: unable to find management class ID for class *class name* in policy set *set name* belonging to domain *domain name*.**

Explanation: An internal server database error has been encountered while retrieving policy information for management class *class name* in policy set *set name* belonging to policy domain *domain name*.

System Action: The policy operation is ended and server operation continues.

User Response: Examine the server messages issued prior to this message to determine the source of the error. Use the QUERY ACTLOG command to view the activity log and search for messages. If the error cannot be isolated and resolved, contact your service representative.

ANR1610E **Internal Server error: invalid copy type** *copy type integer encountered in policy set validation.*

Explanation: An internal server database error has been encountered while validating a policy set in response to the VALIDATE POLICYSET or ACTIVATE POLICYSET command.

System Action: The policy operation is ended and server operation continues.

User Response: Examine the server messages issued prior to this message to determine the source of the error. Use the QUERY ACTLOG command to view the activity log and search for messages. If the error cannot be isolated and resolved, contact your service representative.

ANR1611E *Command: Invalid management class name - management class name.*

Explanation: Server processing for the command *command* fails because the specified management class name may not be used as a management class name.

System Action: Database changes for the command are rolled back and server operation continues. The command is not successful in changing the server database.

User Response: Reissue the command and specify another management class name.

ANR1612E *Command: Management class* *management class name* **in policy set** *set name*, **domain** *domain name* **specifies MIGREQUIRESBKUP=YES, but contains no backup copy group.**

Explanation: During policy set validation or activation for policy set *set name* in policy domain *domain name*, the server has found that the management class named *class name* specifies the MIGREQUIRESBKUP=YES parameter but does not contain a backup copy group. Policy set validation or activation fails in this case because it would not be possible to ensure that space-managed client files are backed up prior to being migrated to the server.

System Action: Database changes for the command are rolled back and server operation continues. The command is not successful in changing the server database.

User Response: To define a backup copy group within the management class, issue the DEFINE COPYGROUP command. To change the MIGREQUIRESBKUP parameter, issue the UPDATE MGMTCLASS command.

ANR1650E **Server** *server name* **is not defined.**

Explanation: The *server name* was not created using the DEFINE SERVER command. This entry was created using the REGISTER NODE NODETYPE=SERVER command and is not a valid reference.

System Action: The current action for the device class referring to this server fails.

User Response: The device class referring to this node as the SERVERNAME should be updated to refer to a valid server entry. Specifically, it should refer to an entry created using the DEFINE SERVER command.

ANR1651E **Server information for *server name* is not available.**

Explanation: The information for *server name* was not available.

System Action: The current server action fails.

User Response: Please review any other messages prior to this message to determine the cause of the failure.

ANR1652E **Server information for *server name* could not be read from a device configuration file.**

Explanation: An attempt to a server definition for *server name* from any device configuration files failed.

System Action: The current action for the device class referring to this server fails.

User Response: Please verify the existence of a device configuration file and the DEFINE SERVER stanza within that file.

ANR1653E **Resource lock acquisition for server *server name* failed.**

Explanation: The acquisition of the resource lock for server *server name* failed.

System Action: The current action for the device class referring to this server fails.

User Response: Retry the action referring to the device class that refers to this server name. If the lock failure persists, please contact your service representative.

ANR1654E **Server *server name* will not be written to a device configuration file.**

Explanation: An error occurred accessing the information for *server name* while trying to write this information to a device configuration file.

System Action: This DEFINE SERVER entry is not processing.

User Response: Verify that the necessary DEFINE SERVER entries were written to a device configuration file. If this error persists, please contact your service representative.

ANR1655E **Failure processing password for Server *server name* when writing a device configuration file.**

Explanation: An error occurred processing the password for *server name* while trying to write this information to a device configuration file.

System Action: This DEFINE SERVER entry is written to the device configuration file without the password.

User Response: The password needs to be specified after PASSWORD= for this DEFINE SERVER entry in the device configuration file.

ANR1656E **Failure writing server definitions to a device configuration file.**

Explanation: An error occurred writing the server information to a device configuration file.

System Action: The BACKUP DEVCONFIG action fails.

User Response: Check that the device configuration file exists and that the file system the file resides on is not out of space.

ANR1657E *Command: Invalid server or group name - *server or group name*.*

Explanation: The command shown specifies an invalid server or server group name.

System Action: The server does not process the command.

User Response: Reissue the command with a valid name.

ANR1658E *Command: Failure determining NODENAME for server *server name*.*

Explanation: The command shown was unable to determine a node name either from the NODENAME= parameter on this command or from the server name previously set using the SET SERVERNAME command.

System Action: The server does not process the command.

User Response: Reissue the command with a valid node name parameter or else update the server name using the SET SERVERNAME command so that a valid name is available.

ANR1659E *Command: Server or server group *server or group name* is already defined.*

Explanation: A DEFINE SERVER or DEFINE SERVERGROUP command has been entered that specifies a server or server group name that already exists. The

name specified must be a unique name. It must not duplicate a node name used by a registered node, a server name used by a defined server, or a server group name used by a defined server group.

System Action: The server does not process the command.

User Response: To define the server or server group, reissue the command and specify a different name.

ANR1660I **Server *server name* defined successfully.**

Explanation: The requested server has been defined to the system in response to a DEFINE SERVER command.

System Action: None.

User Response: None.

ANR1661I **Server *server name* deleted.**

Explanation: In response to a DELETE SERVER command, the requested server has been removed from the system.

System Action: None.

User Response: None.

ANR1662I **Server *server name* updated.**

Explanation: One or more attributes of a server have been updated by an UPDATE SERVER command.

System Action: None.

User Response: None.

ANR1663E *command:* **Server *server name* not defined**

Explanation: The server *server name* is not defined to the system.

System Action: The command fails.

User Response: None.

ANR1664W *Command:* **Server *server name* is currently in use.**

Explanation: The command shown specifies a server that is currently in use. The server is referenced by one or more of the following: a device class of

DEVTYPE=SERVER that specifies this server for the 'SERVERNAME=' parameter, it is defined as the event server, or a connection with this server is currently open and in use.

System Action: The server does not process the command.

User Response: Reissue the command at a later time. In order to delete the server specified, it must not be currently connected to the server, it may not be referenced in a device class, and it can not be defined to be the event server.

ANR1665E *command: Failure updating password for server server name.*

Explanation: An error occurred updating the password for *server name*.

System Action: The command fails.

User Response: Re-try the command specifying a different password.

ANR1666E *command: FILEAGGR not allowed with NODETYPE=SERVER.*

Explanation: The FILEAGGR= parameter may not be specified with the NODETYPE=SERVER parameter also being specified.

System Action: The command fails.

User Response: Reissue the command without the FILEAGGR= parameter if this is a NODETYPE=SERVER.

ANR1667E *command: Action not permitted against node node name.*

Explanation: The command is not permitted against the entry for node *node name*. This node entry has a NODETYPE of SERVER.

System Action: The command fails.

User Response: None.

ANR1668E *command: Not allowed for server server name.*

Explanation: The DELETE SERVER command is not permitted for server *server name*. The specified server is either the event server or else it is a node entry rather than a server definition.

System Action: The command fails.

User Response: If the specified server is the event server, and you want to delete it, issue the DELETE EVENTSERVER command and then reissue the DELETE SERVER command. To remove a node entry, issue the REMOVE NODE command for the specified name.

ANR1669I **Server *event server name* is defined as the event server.**

Explanation: The specified server is defined.

System Action: None.

User Response: None.

ANR1670E **Server *event server name* is already defined as the event server. You must issue the DELETE EVENTSERVER command before defining a new event server.**

Explanation: An event server is already defined.

System Action: The command fails.

User Response: Delete the existing Event Server and try the command again.

ANR1671I **The event server definition has been deleted.**

Explanation: The event server definition has been deleted.

System Action: None.

User Response: If an event server definition is desired, use the DEFINE EVENTSERVER command.

ANR1672I **No event server is currently defined.**

Explanation: A query was issued to get the name of the event server; however, no event server is currently defined.

System Action: None.

User Response: If an event server definition is desired, use the DEFINE EVENTSERVER command.

ANR1673I **Server group *group name* defined successfully.**

Explanation: The requested server group is defined to the system in response to a DEFINE SERVERGROUP command.

System Action: None.

User Response: None.

ANR1674I **Member *member name* defined successfully in server group *group name*.**

Explanation: The requested member is defined in the server group in response to a DEFINE GRPMEMBER command.

System Action: None.

User Response: None.

ANR1675I **Server group** *server group name* **deleted.**

Explanation: The requested server is removed from the system in response to a DELETE SERVERGROUP command.

System Action: None.

User Response: None.

ANR1676I **Member** *member name* **deleted from server group** *server group name*.

Explanation: The requested member is removed from the server group in response to a DELETE GRPMEMBER command,

System Action: None.

User Response: None.

ANR1677I **Server group** *server group name* **updated.**

Explanation: One or more attributes of a server group is updated by an UPDATE SERVERGROUP command.

System Action: None.

User Response: None.

ANR1678I **Server group** *original server group name* **renamed** *new server group name*.

Explanation: A server group is renamed by a RENAME SERVERGROUP command. The original name is not valid.

System Action: None.

User Response: None.

ANR1679E *command:* **Server group** *server group name* **not defined**

Explanation: The server *server group name* is not defined to the system.

System Action: The command fails.

User Response: Retry the command specifying an existing group.

-
- ANR1680E** *command: Member member name not defined in server group server group name.*
- Explanation:** The member *member name* is not defined in server group *server group name*.
- System Action:** The command fails.
- User Response:** Retry the command specifying an existing member of the group.
-
- ANR1681E** *command: Member member name is already in server group server group name.*
- Explanation:** The member *member name* is defined in server group *server group name*.
- System Action:** The command fails.
- User Response:** Retry the command and specify a new member name.
-
- ANR1682E** **A group cannot be a member of itself.**
- Explanation:** The member and group name are the same. A group may not be a member of itself.
- System Action:** The command fails.
- User Response:** Retry the command and specify another member name.
-
- ANR1683E** *command: Member member name not defined.*
- Explanation:** The member *member name* is not defined to the system. Server group members must be a defined server or server group.
- System Action:** The command fails.
- User Response:** Retry the command specifying existing server or group.
-
- ANR1684E** *route:command: Routed commands cannot be routed.*
- Explanation:** The command part of a routed command may not contain route information itself. The allowable syntax for routed commands is “:”. The command may not contain route information. Only one level of routing is allowed.
- System Action:** Routed commands where the command portion contains additional routing information are not processed.
- User Response:** Reissue the command without specifying route information in the command portion of this routed command.
-

-
- ANR1685I** **Server group *server group* copied to server group *new server group*.**
- Explanation:** This message is displayed in response to the COPY SERVERGROUP command. The server group named *server group* is copied to the server group named *new server group*.
- System Action:** None.
- User Response:** None.
-
- ANR1686I** **Member *member name* moved from server group *group name* to server group *new group name*.**
- Explanation:** The requested member *member name* is moved from server group *group name* to the server group *new server group* in response to a MOVE GRPMEMBER command.
- System Action:** None.
- User Response:** None.
-
- ANR1687I** **Output for command '*command*' issued against server *server name* follows:**
- Explanation:** The output for the command issued against the indicated server follows this message.
- System Action:** None.
- User Response:** None.
-
- ANR1688I** **Output for command '*command*' issued against server *server name* completed.**
- Explanation:** This message marks the end of the output for the command specified that was issued against the indicated server.
- System Action:** None.
- User Response:** None.
-
- ANR1689E** **Output for command '*command*' issued against server *server name* terminated.**
- Explanation:** An error condition occurred causing the output for the command issued against the specified server to be terminated.
- System Action:** None.
- User Response:** Re-try the command against the requested server once the error condition has been resolved. If the cause of the error can not be determined, please contact your local service representative.
-

ANR1690E **Error sending command `\`command\`` to server *server name*.**

Explanation: An error was encountered sending the specified command to the server indicated.

System Action: None.

User Response: Re-try the command against the requested server once the error condition has been resolved. If the cause of the error can not be determined, please contact your local service representative.

ANR1691E **Error receiving response from server *server name* for command `\`command\``.**

Explanation: An error was encountered receiving the response from the server indicated for the command that was issued against it.

System Action: None.

User Response: Re-try the command against the requested server once the error condition has been resolved. If the cause of the error can not be determined, please contact your local service representative.

ANR1692E **Response for command `\`command\`` from server *server name* contains invalid data.**

Explanation: The output returned from the specified server for the command that was issued, contains invalid output. The command response can not be processed.

System Action: Output processing for this command response terminates.

User Response: Please contact your local service representative.

ANR1693E **Unable to issue command `\`command\`` against server *server name* - failure starting thread.**

Explanation: A thread could not be started to issue the specified command against the server indicated.

System Action: This command is not issued against the server specified. The process will attempt to issue the command against any other servers that were specified for the command routing information.

User Response: Examine the server messages issued prior to this message to determine the source of the error. Re-try routing this command to the indicated server after the cause of the error has been determined and resolved. If the error cannot be isolated and resolved, contact your service representative.

ANR1694I Server *server name* **processed command \'*command*\'** and completed successfully.

Explanation: The server indicated processed the command successfully.

System Action: None.

User Response: None.

ANR1695W Server *server name* **processed command \'*command*\'** but completed with warnings.

Explanation: The server indicated processed the command but encountered warnings. However, the warnings did not prevent the execution of the command.

System Action: None.

User Response: None.

ANR1696E Server *server name* **attempted to process command \'*command*\'** but encountered errors.

Explanation: The server indicated processed the command but encountered errors. These errors prevented the successful completion of the command.

System Action: None.

User Response: Examine any error messages issued on either the server sending the command or else the server executing the command to determine the cause of the failure. Reissue the command once these errors are corrected.

ANR1697I Command \'*command*\' **processed by *total number for servers* server(s): *number of successful servers* successful, *number of servers with warnings* with warnings, and *number of servers with errors* with errors.**

Explanation: The indicated command was processed by the number of servers specified. For the total number of servers, the number indicated were successful, the number indicated encountered a warning condition but processed anyway, and finally, the number indicated encountered errors and could not process.

System Action: None.

User Response: None.

ANR1698I Command \'*command*\' **was not issued against any other servers.**

Explanation: The indicated command was not issued against any other server. Either the routing information did not resolve to any valid servers or else failures occurred issuing the command against the required servers. indicated number of server.

System Action: None.

User Response: Check to see that valid route information was provided for the command or else check the activity log for error messages that indicate why the command was not issued to the other server.

ANR1699I **Resolved route information to number of servers server(s) - issuing command against server(s).**

Explanation: The route information was resolved to the number of servers indicated. The specified command will be issued against those servers.

System Action: None.

User Response: None.

ANR1700E **Unable to resolve *'route information'* to any server(s).**

Explanation: The route information provided for this command did not resolve to any server names or group names. Because of this, the command will not be issued.

System Action: None.

User Response: Examine the route information provided. Reissue the command providing correct route information.

ANR1701E **Command: No matching servers defined.**

Explanation: No matching servers are found for the specified command.

System Action: Server operation continues, but the command is not processed.

User Response: Issue the command and specify different servers.

ANR1702W **Skipping *'server name'* - unable to resolve to a valid server name.**

Explanation: The server name specified is being skipped because it could not be resolved to a valid server name.

System Action: None.

User Response: Reissue the command providing the correct server name.

ANR1703E **Failure resolving server names.**

Explanation: An error occurred while resolving the server names. Specifically, the resolution of the server names has terminated because of a significant failure.

System Action: None.

User Response: Check the activity log and server console for other messages about the cause of the failure. Once the cause has been resolved, reissue the command.

ANR1704E

Failure obtaining credentials for administrator *admin name*.

Explanation: An error occurred obtaining the credentials for the administrator referenced.

System Action: Command processing fails.

User Response: Check the activity log and server console for other messages about the cause of the failure. Once the cause has been resolved, reissue the command.

ANR1705W

Ping for server *'server name'* **was not able to establish a connection.**

Explanation: The ping command was unable to establish a connection to the server specified. This could indicate a problem on the server issuing the ping, a problem with the communication connection between the two servers, or else it is a problem with the other server.

System Action: None.

User Response: Check the activity log and server console for messages that indicate a failure or problem on the server issuing this command. Next, check the communication connection between the two servers. Also, check the server definition and password on both the server issuing the command and the server specified. And finally, verify that the server specified is running.

ANR1706I

Ping for server *'server name'* **was able to establish a connection.**

Explanation: The ping command was able to establish a connection to the server specified.

System Action: None.

User Response: Check the activity log and server console for messages that indicate a failure or problem on the server issuing this command. Next, check the communication connection between the two servers. And finally, verify the operation of the server specified.

ANR1707I

Server information not complete, crossdefine not allowed.

Explanation: The SERVERHLADDRESS, SERVERLLADDRESS or SERVERPASSWORD has not been set for this server. These are required for the CROSSDEFINE option on the define server command.

System Action: The command fails.

User Response: Use the QUERY STATUS command to find what values need to be set. An authorized administrator must issue the SET SERVERHLADDRESS, SET and SERVERLLADDRESS or SET SERVERPASSWORD command to set the missing values.

ANR1708I

Define server for *Server name* failed because the crossdefine failed.

Explanation: The define server command failed because the crossdefine parameter was included, and the crossdefine was not successful.

System Action: The command fails.

User Response: Check this server, and the server being defined for other messages indicating the reason for the failure.

ANR1709E

Command.: Failure determining current usage for server or group name *Server name*.

Explanation: The specified command failed to determine the current use of the server name or server group specified.

System Action: The command fails.

User Response: Retry the command. If it continues to fail and the cause of the failure can not be determined, please contact your local service representative.

ANR1710E

Command.: Name *Name* not valid for this command.

Explanation: The name specified for this command is not valid for this operation. The first case is that a server name was specified for a command requiring a server group name. The other case is where a server group name was specified for a command requiring a server name.

System Action: The command fails.

User Response: Retry the command specifying the proper name.

ANR1711E

Error accessing the server or server group name *Name*.

Explanation: A server operation attempted to access the server name or server group name specified. An error occurred while trying to access the information for this server name or server group name.

System Action: The server operation fails.

User Response: Review the activity log to try to determine the cause of the failure. If a cause can not be determined, please contact your local service representative.

ANR1712W	Command routing not allowed from server console. Explanation: Command routing is not allowed from the server console. System Action: The command is not executed. User Response: Reissue the command from an Administrative client.
ANR1713I	Command <code>\command\</code> issued against server <i>server name</i>. Explanation: The specified command has been sent to the indicated server. The command is to terminate the specified server, no confirmation will be received. System Action: None. User Response: None.
ANR1714W	The password for administrator <i>administratortor name</i> has expired. The password for this administrator must be updated on the configuration manager server <i>server name</i>. Explanation: The password for the named administrator has expired, but the administrator is a managed object on this server. The password must be updated on the named configuration manager server. System Action: The administrator is allow access to the server. User Response: Change the administrator's password on the named configuration manager server.
ANR1715E	Event server cannot be deleted - it is currently active. Explanation: The event server cannot be deleted since it is currently active for event logging. System Action: The server does not delete the event server entry. User Response: In order to delete the event server, it must not be currently active for event logging. To stop event logging to the event server issue END EVENTLOGGING EVENTSERVER. Then reissue the DELETE EVENTSERVER command.
ANR1716I	Server cannot be crossdefined to itself, crossdefine not allowed. Explanation: An attempt was made to crossdefine the server to itself. System Action: The command fails. User Response: None.

ANR1800E **Missing or invalid EVENTLOG command parameter.**

Explanation: The event logging command issued contains an invalid parameter, or is missing a required parameter.

System Action: The command is ignored.

User Response: Reissue the command with the proper parameters.

ANR1801E *Eventlog command: Invalid event or event class - Event or event class name.*

Explanation: An event logging command has been entered which specifies an unknown event or event class.

System Action: The command is ignored for the invalid event or event class. Any valid events or classes specified are processed.

User Response: Reissue the command with the correct event or event class.

ANR1808E **Unable to open event log file *file spec* for appending.**

Explanation: The server cannot write to a file which has been specified for event logging.

System Action: No logging will be done to the file receiver.

User Response: Check the file for proper access permissions, or specify a different file for logging.

ANR1809E **Insufficient memory to activate event logging.**

Explanation: A BEGIN EVENTLOGGING command has been entered, but the server has insufficient memory available to activate logging.

System Action: The command is ignored.

User Response: If logging is required, make more memory available to the server then restart the server.

ANR1810E *Eventlog command: Invalid receiver - receiverName.*

Explanation: An event logging command has been entered which specifies an unknown event log receiver (maybe unknown just to this platform).

System Action: The command is ignored for the invalid receiver. Any valid receivers specified are processed.

User Response: Reissue the command with the correct receiver.

ANR1822I	Event logging ended for the <i>receiverName</i> receiver. Explanation: In response to an END EVENTLOGGING command or because an error occurred, event log records are no longer being output to the specified receiver. System Action: None. User Response: None.
ANR1823I	Event logging ended for all receivers. Explanation: In response to an END EVENTLOGGING command, event log records are no longer being output to any receiver. System Action: None. User Response: None.
ANR1824E	Event logging is inactive for the specified receiver. Explanation: An END EVENTLOGGING command has been entered, but logging is not active for the specified receiver. System Action: The command is ignored. User Response: If logging is desired, use the ENABLE EVENT and BEGIN EVENTLOGGING commands to activate event logging.
ANR1825I	Event logging active for the <i>receiverName</i> receiver. Explanation: In response to a BEGIN EVENTLOGGING command, event log records are now being output to the specified receiver. System Action: None. User Response: None.
ANR1826I	Event logging active for all receivers. Explanation: In response to a BEGIN EVENTLOGGING command, event log records are now being output to all receivers. System Action: None. User Response: None.

-
- ANR1827E** *Eventlog command: No valid receiver specified.*
- Explanation:** An event logging command has been entered, and no valid receivers were specified.
- System Action:** The command is ignored.
- User Response:** Reissue the command with the correct receiver.
-
- ANR1828E** *Eventlog command: No valid event specified.*
- Explanation:** An event logging command has been entered and no valid events or event classes were specified.
- System Action:** The command is ignored.
- User Response:** Reissue the command with the correct events or event classes.
-
- ANR1829E** *Eventlog command: Server events may not be disabled for the activity log receiver.*
- Explanation:** A DISABLE EVENT command has been entered for the activity log receiver.
- System Action:** The command is ignored for the activity log receiver. Any valid receivers specified are processed.
- User Response:** Reissue the command with the correct receiver.
-
- ANR1830E** *receiverName receiver options not defined in the server options file.*
- Explanation:** A BEGIN EVENTLOGGING command has been entered for a receiver, but the required receiver options were not specified in the server options file.
- System Action:** Logging is not started for the specified receiver.
- User Response:** Enter the receiver options in the server options file and restart the server.
-
- ANR1831I** **Event logging of client events ended for ACTLOG receiver.**
- Explanation:** An END EVENTLOGGING command has been entered for the activity log receiver.
- System Action:** The server no longer records client events in the activity log. Server events continue to be recorded in the activity log.
- User Response:** None.
-

-
- ANR1842E** **An error occurred on the *receiverName* receiver.**
- Explanation:** An error occurred on the specified receiver.
- System Action:** The server no longer sends events to the receiver.
- User Response:** Issue a BEGIN EVENTLOGGING command for the receiver to attempt to start logging events to the receiver again.
-
- ANR1843I** **Event log receiver initialization in progress.**
- Explanation:** Initialization is starting for the eventlog receivers.
- System Action:** None.
- User Response:** None.
-
- ANR1844I** *Eventlog command* **command processed.**
- Explanation:** The specified command was processed.
- System Action:** None.
- User Response:** If any previous messages indicate that parts of the command failed, reissue the command for those parts only.
-
- ANR1850E** **Circular event logging detected. The event server has previously handled event *Event number* from *Source trail*. To prevent looping, events which have already been logged by the event server are not sent again. Please correct the situation causing circular logging to avoid wasting system resources.**
- Explanation:** The server is attempting to log an event which has previously been handled by the event server that is currently defined.
- System Action:** The event is not sent to the event server. Other events will still be sent, and this message will be issued periodically if this situation is detected again.
- User Response:** Determine what is wrong with the server to server event logging setup, and fix the problem.
-
- ANR1851E** **The source trail for server to server event logging has exceeded the maximum length of *Maximum sourcetrail length* bytes.**
- Explanation:** While attempting to log an event to the event server, the server has found that the source trail length is too long.
- System Action:** The server continues to try to send the event to the event server, but the source trail may be truncated and appear something like:
-

name1>...>namex>namey

name1 where,
... is the originator of the event.
... is where intervening server name(s) have been left off the source trail.

User Response: Most likely you are using very long server names and/or have excessive hops from server to server. Either use shorter server names or change your configuration to reduce the number of hops.

ANR1852E Unable to send header to TEC at TEC server rc return code

Explanation: A network error has occurred in attempting to send the event header to the Tivoli Enterprise Console.

System Action: None.

User Response: Verify network connections and contact your service representative if this error persists.

ANR1853E Unable to send data to TEC at TEC server rc return code

Explanation: A network error has occurred in attempting to send the event data to the Tivoli Enterprise Console.

System Action: None.

User Response: Verify network connections and contact your service representative if this error persists.

ANR1854E Unable to flush data to TEC at TEC server rc return code

Explanation: A network error has occurred in attempting to flush data to the Tivoli Enterprise Console .

System Action: None.

User Response: Verify network connections and contact your service representative if this error persists.

ANR2000E Unknown command - command.

Explanation: The specified command is not a valid server command.

System Action: The server ignores the command.

User Response: Reissue the correct command.

-
- ANR2001E** **Insufficient server memory to initiate command.**
- Explanation:** A command has been entered, but the server cannot obtain enough internal memory to process the command.
- System Action:** The server ignores the command.
- User Response:** Allocate additional storage to the server. For details, issue HELP MEMORY to display the information online or see “Appendix A. Allocating Additional Server Memory”.
-
- ANR2002E** **Missing closing quote character.**
- Explanation:** A server command that contains a quoted parameter has been entered, but a matching closing quote is missing.
- System Action:** The server ignores the command.
- User Response:** Reissue the command with properly matched quotes.
-
- ANR2003E** **Illegal use of keyword parameter character (=) - *parameter*.**
- Explanation:** A server command contains the parameter shown followed by an equal sign (=), but the parameter is not a keyword parameter.
- System Action:** The server ignores the command.
- User Response:** Reissue the command and enter the proper syntax.
-
- ANR2004E** **Missing value for keyword parameter - *parameter*.**
- Explanation:** A server command containing a keyword parameter has been entered, but the value for the parameter is missing.
- System Action:** The server ignores the command.
- User Response:** Reissue the command and supply a value for the keyword parameter.
-
- ANR2005E** **Keyword parameter character (=) may not be surrounded by blanks.**
- Explanation:** A server command contains a keyword parameter followed by an equal sign (=), but the equal sign is preceded or followed by a blank, or both.
- System Action:** The server ignores the command.
- User Response:** Reissue the command without blanks next to the equal sign.
-

ANR2006E **Activity log process was not started, the default output stream cannot be opened.**

Explanation: The process that monitors the default (console) output stream and maintains the activity log cannot access that output stream.

System Action: The server does not update the activity log.

User Response: Contact your service representative.

ANR2007E **Activity log process was not started, due to an internal error.**

Explanation: The process that monitors the default (console) output stream and maintains the activity log cannot start due to a server internal error.

System Action: The server does not update the activity log.

User Response: Examine the server messages issued prior to this message to determine the source of the error. Issue the QUERY ACTLOG command to view the activity log and search for messages. If the error cannot be isolated and resolved, contact your service representative.

ANR2008E **Activity log process has stopped - database transaction could not be started.**

Explanation: The process that monitors the default (console) output stream and maintains the activity log cannot continue due to a server transaction failure. This may be a memory shortage error.

System Action: The server stops updating the activity log.

User Response: Allocate additional storage to the server. For details, issue HELP MEMORY to display the information online or see "Appendix A. Allocating Additional Server Memory".

ANR2009E **Activity log process has stopped - database error.**

Explanation: The process that monitors the default (console) output stream and maintains the activity log cannot continue due to a server database error.

System Action: The server stops updating the activity log.

User Response: Contact your service representative.

ANR2010W **Server is out of LOG space in adding entries to the Activity Log. Console messages will not be logged until LOG space is available.**

Explanation: The process that monitors the default (console) output stream and maintains the activity log cannot update the activity log due to a lack of recovery log space.

System Action: The server does not update the activity log.

User Response: An authorized administrator can issue the DEFINE LOGVOLUME command to add volumes for use by the log, and can issue the EXTEND LOG command to extend the size of the log so that the new volumes are used.

ANR2011W **Server is out of DB space in adding entries to the Activity Log. Console messages will not be logged until DB space is available.**

Explanation: The process that monitors the default (console) output stream and maintains the activity log cannot update the activity log due to a lack of database space.

System Action: The server does not update the activity log.

User Response: An authorized administrator can issue the DEFINE DBVOLUME command to add volumes for use by the database, and can issue the EXTEND DB command to extend the size of the database so that the new volumes are used.

ANR2012W **Activity log process has encountered unexpected table data output in the default output stream.**

Explanation: The process that monitors the default (console) output stream and maintains the activity log has detected invalid data in the console stream.

System Action: The server stops updating the activity log.

User Response: Contact your service representative.

ANR2013E **The activity log process has encountered unexpected output data in the console output stream. The process will be restarted.**

Explanation: The process that monitors console output and maintains the activity log has detected invalid data (unknown data type) in the console stream.

System Action: The server restarts the activity log recording process. While the process is restarting, the server may not be able to record some console messages in the activity log.

User Response: The server may be low on available memory. Allocate additional storage to the server. For details, issue HELP MEMORY to display the information online or see “Appendix A. Allocating Additional Server Memory”.

ANR2014E **Activity log pruning process could not be started, due to an internal error.**

Explanation: The process that removes expired records from the server activity log cannot begin execution due to a server internal error.

System Action: The server does not prune the activity log.

User Response: Examine the server messages issued prior to this message to determine the source of the error. Issue the QUERY ACTLOG command to view the activity log and search for messages. If the error cannot be isolated and resolved, contact your service representative.

ANR2015E **Activity log failure - database transaction could not be started.**

Explanation: The process that removes expired records from the server activity log has failed due to a database transaction failure, which may be a memory shortage error.

System Action: The server ends activity log pruning.

User Response: Allocate additional storage to the server. For details, issue HELP MEMORY to display the information online or see “Appendix A. Allocating Additional Server Memory”.

ANR2016E **Activity log failure - database error.**

Explanation: The process that removes expired records from the server activity log has failed due to a server database error.

System Action: The server ends activity log pruning.

User Response: Contact your service representative.

ANR2017I **Administrator** *Administrator Name* **issued command:** *Command*

Explanation: This message records the fact that the named administrator issued the command specified. The messages is issued and logged to provide an audit trail for administrative commands.

System Action: Server operation continues

User Response: None.

ANR2019I *Command:* **No nodes updated.**

Explanation: An UPDATE NODE command has been entered, but no objects were updated.

System Action: None.

User Response: None.

ANR2020E	<i>Command: Invalid parameter - parameter.</i> Explanation: The specified server command has been entered with an invalid parameter. System Action: The server ignores the command. User Response: Reissue the command and enter the proper syntax.
ANR2021E	<i>Command: Missing subcommand keyword.</i> Explanation: The specified server command has been entered without a valid subcommand (second parameter). System Action: The server ignores the command. User Response: Reissue the command and enter the proper syntax.
ANR2022E	<i>Command: One or more parameters are missing.</i> Explanation: The specified server command has been entered without all required parameters. System Action: The server ignores the command. User Response: Reissue the command and enter the proper syntax.
ANR2023E	<i>Command: Extraneous parameter - parameter.</i> Explanation: The specified server command contains more positional parameters than is allowed. System Action: The server ignores the command. User Response: Reissue the command and enter the proper syntax.
ANR2024E	<i>Command: Too many parameters specified.</i> Explanation: The specified server command contains more positional parameters than is allowed. System Action: The server ignores the command. User Response: Reissue the command and enter the proper syntax.
ANR2025E	<i>Command: Command failed - server thread resource not available.</i> Explanation: A server command, which has a requirement to start a server thread, has been entered but cannot be executed because no server thread is available.

System Action: The command is not executed.

User Response: Reissue the command. If the command fails with the same error, wait for server activity to decrease and try again.

ANR2026E *Command: Command failed - sufficient server memory is not available.*

Explanation: A server command has been entered but cannot be processed because sufficient memory is not available to the server.

System Action: The server does not process the command.

User Response: Allocate additional storage to the server. For details, issue HELP MEMORY to display the information online or see “Appendix A. Allocating Additional Server Memory”.

ANR2027E *Command: Command failed - sufficient server recovery log space is not available.*

Explanation: A server command has been entered but cannot be processed because sufficient recovery log space is not available.

System Action: The server does not process the command.

User Response: An authorized administrator can issue the DEFINE LOGVOLUME command to add volumes for use by the log, and can issue the EXTEND LOG command to extend the size of the log so that the new volumes are used.

ANR2028E *Command: Command failed - sufficient server database space is not available.*

Explanation: A server command has been entered but cannot be processed because sufficient database space is not available.

System Action: The server does not process the command.

User Response: An authorized administrator can issue the DEFINE DBVOLUME command to add volumes for use by the database, and can issue the EXTEND DB command to extend the size of the database so that the new volumes are used.

ANR2029E *Command: Transaction failed; command not executed.*

Explanation: A command that is part of the current transaction has failed; therefore, any additional commands fail.

System Action: The server does not process the command.

User Response: Stop the administrative session, restart it, and try the command again. If this problem persists, contact your service representative.

-
- ANR2030E** **Commit not accepted; transaction failed.**
- Explanation:** A command that is part of the current transaction has failed; therefore, a COMMIT command cannot be processed.
- System Action:** The server does not process the COMMIT command.
- User Response:** Stop the administrative session, restart it, and try the command again. If this problem persists, contact your service representative.
-
- ANR2031E** *Command: At least one attribute must be specified for update.*
- Explanation:** The specified UPDATE command has been entered, but no attributes have been specified for updating.
- System Action:** The server ignores the command.
- User Response:** Reissue the UPDATE command with one or more attributes to be updated.
-
- ANR2032E** *Command: Command failed - internal server error detected.*
- Explanation:** An internal error has occurred during an attempt to process a server command. This message always accompanies another error message and provides more detail about that error.
- System Action:** The server does not process the command.
- User Response:** Examine the server messages issued prior to this message to determine the source of the error. Issue the QUERY ACTLOG command to view the activity log and search for messages. If the error cannot be isolated and resolved, contact your service representative.
-
- ANR2033E** *Command: Command failed - lock conflict.*
- Explanation:** A server command that requires the server to lock a system resource has been entered. The command cannot be executed because the resource is already in use by another command or process.
- System Action:** The server does not process the command.
- User Response:** Try the command again at a later time.
-
- ANR2034E** *Command: No match found using this criteria.*
- Explanation:** The specified command has been entered, but no objects that match the criteria can be found.
- System Action:** None.
-

User Response: None.

ANR2035E *Command: Administrator administrator name is not authorized to issue this command.*

Explanation: The specified administrator has entered the indicated command, but this administrator does not have the proper authority necessary to run the command. Note: This message can be issued as a result of the server option REQSYSAUTHOUTFILE YES being in effect.

System Action: The server does not process the command.

User Response: Examine previous messages for any additional information. Issue the command from a properly authorized administrator ID, or contact the system administrator to have additional authority granted to the current administrator ID.

ANR2036E *Command: Process could not be started - sufficient memory is not available.*

Explanation: A background process cannot be started for the indicated command because sufficient memory is not available to the server.

System Action: A new process is not started to execute this command.

User Response: Allocate additional storage to the server. For details, issue HELP MEMORY to display the information online or see "Appendix A. Allocating Additional Server Memory".

ANR2037E *Command: Process could not be started - lock conflict.*

Explanation: A background process cannot be started for the indicated command because a required system resource is already locked by another command or process.

System Action: A new process is not started to execute this command. If other processes have been started for this command, these processes may execute successfully.

User Response: If necessary, try the command again at a later time.

ANR2038E *Command: Process could not be started - server thread resource not available.*

Explanation: A background process cannot be started for the indicated command because no server thread is available.

System Action: A new process is not started to execute this command. If other processes have been started for this command, these processes may execute successfully.

User Response: If necessary, reissue the command. If the command fails with the same error, wait for server activity to decrease and try again.

ANR2039E

Command: Process could not be started - internal server error detected.

Explanation: A background process cannot be started for the indicated command because an internal error has occurred.

System Action: A new process is not started to execute this command. If other processes have been started for this command, these processes may execute successfully.

User Response: Examine the server messages issued prior to this message to determine the source of the error. Issue the QUERY ACTLOG command to view the activity log and search for messages. If the error cannot be isolated and resolved, contact your service representative.

ANR2040W

This command attempts to restore all files in storage pool *storage pool* which have previously been found to be damaged or which reside on a volume with access mode "destroyed"; existing references to files in storage pool *storage pool* will be deleted from the database after the files have been restored.

Explanation: Issuing the RESTORE STGPOOL command will result in deletion of existing files in the indicated primary storage pool after these files have been restored from a copy storage pool. If a volume with access mode destroyed becomes empty because all files on the volume have been restored to another location, the destroyed volume will be deleted from the database.

System Action: The administrator is asked whether to continue.

User Response: Enter 'Y' to restore the storage pool, 'N' otherwise.

ANR2041W

This command attempts to restore all files in storage pool *storage pool* which reside on one of the volumes specified in the command; existing references to files on these volumes will be deleted from the database after the files have been restored.

Explanation: Issuing the RESTORE VOLUME command causes the access mode of the specified volumes to be updated to destroyed. Existing files will be deleted from the specified volumes after these files have been restored from a copy storage pool. If a volume with access mode destroyed becomes empty because all files on the volume have been restored to another location, the destroyed volume will be deleted from the database.

System Action: The administrator is asked whether to continue.

User Response: Enter 'Y' to restore the volumes, 'N' otherwise.

ANR2042E *Command: Copied parameter not valid for copy storage pool volume.*

Explanation: The QUERY CONTENT server command has been entered with an invalid parameter. COPIED is not a valid parameter when the volume specified belongs to a copy storage pool.

System Action: The server ignores the command.

User Response: Reissue the command without the COPIED parameter.

ANR2043E *Command: WAIT parameter not allowed from server console.*

Explanation: The WAIT parameter is not allowed for commands issued from the server console.

System Action: The command is not executed.

User Response: Either reissue the command without the WAIT parameter or else reissue the command from an administrator using an Administrative Client.

ANR2044E *Command: Invalid option's value - Option's value.*

Explanation: The set option command has been entered with an invalid value.

System Action: The server does not process the command.

User Response: Reissue the command with a valid value.

ANR2045E *Command: An error (error code) occurred during a write operation.*

Explanation: The server detects an error while attempting a write operation.

System Action: Server processing continues.

User Response: Refer to the other displayed messages to determine why the write operation has failed.

ANR2046I *optionset name: Optionset optionset name defined.*

Explanation: The requested option set has been added to the system in response to a DEFINE OPTIONSET command.

System Action: None.

User Response: None.

ANR2047E *Command: Optionset optionset name is already defined.*

Explanation: A DEFINE OPTIONSET command has been entered that specifies an optionset name already defined to the server.

System Action: The server does not process the command.

User Response: To define the optionset, reissue the command and specify a different optionset name.

ANR2048I *Command: Optionset optionset name deleted.*

Explanation: The requested option set has been deleted from the system in response to a DELETE OPTIONSET command.

System Action: None.

User Response: None.

ANR2049E *Command: Optionset optionset name is not defined.*

Explanation: The command shown specifies an optionset that is not defined in the server.

System Action: The server does not process the command.

User Response: None.

ANR2050I *Command: Option option name defined in optionset option set name.*

Explanation: The requested option has been added to the specified optionset in response to a DEFINE OPTIONSET command.

System Action: None.

User Response: None.

ANR2051E *Command: Option option name, sequence number sequence number is already defined in optionset option set name.*

Explanation: The requested option already exists in the optionset specified by the DEFINE CLIENTOPT command.

System Action: The server does not process the command.

User Response: None.

ANR2052E *Command: Option option name, sequence number sequence number is not defined in optionset option set name.*

Explanation: The requested option is not defined in the optionset specified by the DELETE CLIENTOPT command.

System Action: The server does not process the command.

User Response: None.

ANR2053I *Command: Option option name, sequence number sequence number, has been deleted from optionset option set name.*

Explanation: The requested option has been deleted from the specified optionset in response to a DELETE CLIENTOPT command.

System Action: None.

User Response: None.

ANR2054I *Command: Optionset optionset name updated.*

Explanation: The requested option set has been updated in the system in response to an UPDATE OPTIONSET command.

System Action: None.

User Response: None.

ANR2055I *Command: Optionset source optionset name copied to optionset target optionset name.*

Explanation: This message is displayed in response to the COPY OPTIONSET command. The optionset named *source optionset name* has been copied to the optionset named *target optionset name*.

System Action: Server operation continues.

User Response: None. The requested option set has been added to the system in response to a COPY OPTIONSET command.

ANR2056E *Command: Invalid option name - option name. Retry using the full optionname.*

Explanation: The command shown specifies an invalid option name.

System Action: The server does not process the command.

User Response: Reissue the command with a valid option name.

ANR2057E *Command: Invalid option value - option value.*

Explanation: The command shown specifies an invalid option value.

System Action: The server does not process the command.

User Response: Reissue the command with a valid option value.

-
- ANR2058W** **Command: Options file *Filespec* not found - user needs to update the file manually.**
- Explanation:** The server options file cannot be opened or found.
- System Action:** The command is processed but the option is not updated in the options file.
- User Response:** Use a text editor to update the server options file if the user wants to use this value when the server restarts later. If the user does not update the file, the current value in the options file will be used when the server restarts.
-
- ANR2059W** **Command: Error occurs when writing to *Filespec* - user needs to update the file manually.**
- Explanation:** An error occurs when trying to write the new value to the server options file.
- System Action:** The command is processed but the option is not updated in the options file.
- User Response:** Use a text editor to update the server options file if the user wants to use this value when the server restarts later. If the user does not update the file, the current value in the options file will be used when the server restarts.
-
- ANR2060I** **Node *node name* registered in policy domain *domain name*.**
- Explanation:** The requested backup-archive node has been added to the system in response to a REGISTER NODE command and has been assigned to the policy domain indicated.
- System Action:** None.
- User Response:** None.
-
- ANR2061I** **Node *node name* removed from policy domain *domain name*.**
- Explanation:** In response to a REMOVE NODE command, the requested backup-archive node has been removed from the system.
- System Action:** None.
- User Response:** None.
-
- ANR2062I** **Node *node name* renamed to *new node name*.**
- Explanation:** In response to a RENAME NODE command, the requested backup-archive node has been renamed to the new name shown.
- System Action:** None.
-

User Response: None.

ANR2063I

Node *node name* updated.

Explanation: One or more attributes of a backup-archive node have been updated by an UPDATE NODE command.

System Action: None.

User Response: None.

ANR2064I

Node *node name* locked.

Explanation: In response to a LOCK NODE command, the indicated backup-archive node has been locked.

System Action: None.

User Response: None.

ANR2065I

Node *node name* is already locked.

Explanation: The indicated backup-archive node referenced in the LOCK NODE command is already locked.

System Action: None.

User Response: None.

ANR2066I

Node *node name* unlocked.

Explanation: In response to an UNLOCK NODE command, the indicated backup-archive node is unlocked.

System Action: None.

User Response: None.

ANR2067I

Node *node name* is already unlocked.

Explanation: The indicated backup-archive node referenced in the UNLOCK NODE command is not locked.

System Action: None.

User Response: None.

ANR2068I	Administrator <i>administrator ID</i> registered. Explanation: In response to a REGISTER ADMIN command, the requested administrator ID has been added to the system. System Action: None. User Response: None.
ANR2069I	Administrator <i>administrator ID</i> removed. Explanation: In response to a REMOVE ADMIN command, the requested administrator ID has been removed from the system. System Action: None. User Response: None.
ANR2070I	Administrator <i>administrator ID</i> renamed to new <i>administrator ID</i>. Explanation: In response to a RENAME ADMIN command, the requested administrator ID has been changed to the new name shown. System Action: None. User Response: None.
ANR2071I	Administrator <i>administrator ID</i> updated. Explanation: One or more attributes of an administrative user have been updated by an UPDATE ADMIN command. System Action: None. User Response: None.
ANR2072I	Administrator <i>administrator ID</i> locked. Explanation: In response to a LOCK ADMIN command, the indicated administrator ID has been locked. System Action: None. User Response: None.
ANR2073I	Administrator <i>administrator ID</i> is already locked. Explanation: The indicated administrator ID referenced in the LOCK ADMIN command is already locked.

System Action: None.

User Response: None.

ANR2074I **Administrator** *administrator ID* **unlocked.**

Explanation: In response to an UNLOCK ADMIN command, the indicated administrator ID is unlocked.

System Action: None.

User Response: None.

ANR2075I **Administrator** *administrator ID* **is already unlocked.**

Explanation: The indicated administrator ID referenced in the UNLOCK ADMIN command is not locked.

System Action: None.

User Response: None.

ANR2076I **System privilege granted to administrator** *administrator ID*.

Explanation: In response to a GRANT AUTHORITY command, system privilege class has been granted to the indicated administrator.

System Action: None.

User Response: None.

ANR2077I **Unrestricted policy privilege granted to administrator** *administrator ID*.

Explanation: In response to a GRANT AUTHORITY command, unrestricted policy privilege has been granted to the indicated administrator.

System Action: None.

User Response: None.

ANR2078I **Restricted policy privilege granted to administrator** *administrator ID* - **policy domain** *domain name*.

Explanation: In response to a GRANT AUTHORITY command, restricted policy privilege for the specified policy domain has been granted to the indicated administrator.

System Action: None.

User Response: None.

ANR2079I	Unrestricted storage privilege granted to administrator <i>administrator ID</i> . Explanation: In response to a GRANT AUTHORITY command, unrestricted storage privilege has been granted to the indicated administrator. System Action: None. User Response: None.
ANR2080I	Restricted storage privilege granted to administrator <i>administrator ID - storage pool storage pool name</i> . Explanation: In response to a GRANT AUTHORITY command, restricted storage privilege for the specified storage pool has been granted to the indicated administrator. System Action: None. User Response: None.
ANR2081I	Analyst privilege granted to administrator <i>administrator ID</i> . Explanation: In response to a GRANT AUTHORITY command, analyst privilege class has been granted to the indicated administrator. System Action: None. User Response: None.
ANR2082I	Operator privilege granted to administrator <i>administrator ID</i> . Explanation: In response to a GRANT AUTHORITY command, operator privilege class has been granted to the indicated administrator. System Action: None. User Response: None.
ANR2083I	System privilege revoked for administrator <i>administrator ID</i> . Explanation: In response to a REVOKE AUTHORITY command, system privilege class has been revoked from the indicated administrator. System Action: None. User Response: None.

ANR2084I	<p>Policy privilege revoked for administrator <i>administrator ID</i>.</p> <p>Explanation: In response to a REVOKE AUTHORITY command, policy privilege class for all policy domains has been revoked from the indicated administrator.</p> <p>System Action: None.</p> <p>User Response: None.</p>
<hr/>	
ANR2085I	<p>Restricted policy privilege revoked for administrator <i>administrator ID - policy domain domain name</i>.</p> <p>Explanation: In response to a REVOKE AUTHORITY command, restricted policy privilege for the specified policy domain has been revoked from the indicated administrator.</p> <p>System Action: None.</p> <p>User Response: None.</p>
<hr/>	
ANR2086I	<p>Storage privilege revoked for administrator <i>administrator ID</i>.</p> <p>Explanation: In response to a REVOKE AUTHORITY command, storage privilege class for all storage pools has been revoked from the indicated administrator.</p> <p>System Action: None.</p> <p>User Response: None.</p>
<hr/>	
ANR2087I	<p>Restricted storage privilege revoked for administrator <i>administrator ID - storage pool storage pool name</i>.</p> <p>Explanation: In response to a REVOKE AUTHORITY command, restricted storage privilege for the storage pool indicated has been revoked from the indicated administrator.</p> <p>System Action: None.</p> <p>User Response: None.</p>
<hr/>	
ANR2088I	<p>Analyst privilege revoked for administrator <i>administrator ID</i>.</p> <p>Explanation: In response to a REVOKE AUTHORITY command, analyst privilege class has been revoked from the indicated administrator.</p> <p>System Action: None.</p> <p>User Response: None.</p>

ANR2089I **Operator privilege revoked for administrator** *administrator ID*.

Explanation: In response to a REVOKE AUTHORITY command, operator privilege class has been revoked from the indicated administrator.

System Action: None.

User Response: None.

ANR2090I **Activity log retention period set to** *number of days* **days**.

Explanation: The number of days that activity records are kept in the server activity log has been set to the value indicated with the SET ACTLOGRETENTION command.

System Action: None.

User Response: None.

ANR2091I **Accounting parameter set to** *value*.

Explanation: Accounting record generation has been turned on or off as indicated with the SET ACCOUNTING command.

System Action: None.

User Response: None.

ANR2092I **Password expiration period set to** *number of days* **days**.

Explanation: The number of days that a password can be used before it must be changed has been set to the value indicated with the SET PASSEXP command.

System Action: None.

User Response: None.

ANR2093I **Registration parameter set to** *registration method*.

Explanation: Backup-archive node registration has been set to the method indicated with the SET REGISTRATION command.

System Action: None.

User Response: None.

ANR2094I **Server name set to *server name*.**

Explanation: The name that the server displays and communicates to backup-archive nodes has been set to the value indicated with the SET SERVERNAME command.

System Action: None.

User Response: None.

ANR2095I **Authentication parameter set to *value*.**

Explanation: The requirement for a node or administrator to enter a password when establishing a session with the server has been turned on or off as indicated with the SET AUTHENTICATION command.

System Action: None.

User Response: None.

ANR2096I **Server now enabled for backup/archive client access.**

Explanation: The server has been made available for use by backup-archive clients with the ENABLE command.

System Action: None.

User Response: None.

ANR2097I **Server now disabled for backup/archive client access.**

Explanation: The server has been made unavailable for use by backup-archive clients with the DISABLE command.

System Action: None.

User Response: None.

ANR2098E **Command: Invalid URL specification - *url*.**

Explanation: The specified URL is too long.

System Action: The server ignores the command.

User Response: Reissue the command and enter a shorter URL value

ANR2099I **Administrative userid *admininstrator name* defined for OWNER access to node *node name*.**

Explanation: An administrator with the specified name was created having OWNER access to the client node. This administrator is created for accessing the client node from an interactive interface.

System Action: None.

User Response: None.

ANR2100I **Activity log process has started.**

Explanation: The automatic server process that removes expired server activity log records has begun processing.

System Action: None.

User Response: None.

ANR2101I **Activity log process stopped, activity log retention set to 0.**

Explanation: A SET ACTLOGRETENTION command has set the retention period to zero days. As a result, activity logging stops.

System Action: The activity log process stops recording console output in the server activity log.

User Response: None.

ANR2102I **Activity log pruning started: removing entries prior to *date time*.**

Explanation: Server activity log records older than the date and time indicated are being removed from the activity log.

System Action: None.

User Response: None.

ANR2103I **Activity log pruning completed: *number of records* records removed.**

Explanation: All expired (older than the log archive retention value) server activity log records have been removed; the number of records deleted is shown.

System Action: None.

User Response: None.

ANR2104I **Activity log process restarted - recovered from an insufficient space condition in the Log or Database.**

Explanation: The process that records data in the server activity log has failed because of insufficient space in the server recovery log or database; space is now available and the process is again recording data.

System Action: Activity logging resumes.

User Response: None.

ANR2105W **Command: Node was registered in excess of license terms - node registration will fail after 120% of the licensed quantity of nodes have been registered.**

Explanation: The server has detected the addition of a node in excess of the terms under which the server is licensed. The REGISTER NODE command will fail after 120% of the licensed number of nodes have been registered.

System Action: Server operation continues.

User Response: Use the QUERY LICENSE command to determine the license terms that are no longer in compliance. You may remove nodes to reduce the number of registered nodes or purchase additional client node connections. If additional nodes have been purchased, issue the AUDIT LICENSES command to resynchronize the server configuration with license terms.

ANR2106I *Server HALT command:* **Quiescing database update activity.**

Explanation: The server is quiescing transactions that update the database so that the database is in a consistent state when the server is halted. This action occurs when HALT QUIESCE is specified to halt the server with the database in a consistent state.

System Action: When database update transaction activity has been stopped, the server program ends.

User Response: None.

ANR2107I *Server HALT command:* **Database update activity is now quiesced.**

Explanation: The server has stopped all database update transaction activity. This action occurs when HALT QUIESCE is specified to halt the server with the database in a consistent state.

System Action: The server program ends.

User Response: None.

ANR2108I *Server HALT command: Reattempting to quiesce database update activity.*

Explanation: The server is quiescing transactions that update the database so that the database is in a consistent state when the server is halted. The previous attempt at quiescing database activity failed because of the current transaction load on the server. The quiesce operation is being reattempted. This action occurs when HALT QUIESCE is specified to halt the server with the database in a consistent state.

System Action: When database update transaction activity has been stopped, the server program ends.

User Response: None.

ANR2109I *Server HALT command: Database update transaction activity could not be successfully quiesced.*

Explanation: After repeated attempts, server database update transaction activity could not be quiesced. The server is not halted with the HALT QUIESCE command. Attempts to quiesce database update transaction activity can fail if heavy transaction load is on the server when a HALT QUIESCE command is entered.

System Action: Server operation continues.

User Response: You may disable the server, cancel all client sessions accessing the server, cancel all processes, and reenter the HALT QUIESCE command to stop server processing. The HALT command may also be used to stop server processing without quiescing database transaction update activity. Server recovery logic will be used when the server is restarted to reconcile database transaction activity.

ANR2110I *Command started as process process ID.*

Explanation: A background process has been started to service the command *command*. The background process is defined as process *process ID*.

System Action: The server processes the indicated command.

User Response: To query the progress of the background process, use the QUERY PROCESS command. To cancel the background process, use the CANCEL PROCESS command. Use the *process ID* number to specify this process.

ANR2111W *Command: No data to process.*

Explanation: The indicated command does not have any data to process. This can occur if the command specifies an empty volume or pool. The command ends without starting a background process.

System Action: None.

User Response: None.

ANR2112E *Command: Volume volume name is not in a primary storage pool.*

Explanation: The command indicated specifies the name of a volume that does not belong to a primary storage pool. The command syntax requires that a volume in a primary storage pool be specified.

System Action: The server does not process the command.

User Response: Reissue the command with a volume in a primary pool.

ANR2113E *Command: Volume volume name does not belong to the same storage pool (storage pool name) as previously listed volumes.*

Explanation: The indicated command accepts a list of one or more volumes which belong to the same storage pool. The named volume does not belong to the same storage pool as the previously listed volumes.

System Action: The server does not process the command.

User Response: Issue the command with a list of volumes that belong to the same storage pool.

ANR2114I *Command: Access mode for volume volume name updated to "destroyed".*

Explanation: A RESTORE VOLUME command has updated the access mode of the indicated volume to destroyed.

System Action: Restore processing continues.

User Response: None.

ANR2115E *Command: Access mode for volume volume name cannot be changed to "destroyed" - volume is still online.*

Explanation: A RESTORE VOLUME command cannot change the access mode of the indicated volume to destroyed because the volume is still online.

System Action: The server does not process the command.

User Response: Issue the VARY OFFLINE command, and reissue the RESTORE VOLUME command.

ANR2116E *Command: Access mode for volume volume name cannot be changed to "destroyed" - volume does not belong to a primary storage pool.*

Explanation: The access mode for the indicated volume cannot be changed to destroyed because the volume does not belong to a primary storage pool.

System Action: The access mode for this volume is not changed.

User Response: None.

ANR2117E *Command: Access mode for volume *volume name* cannot be changed to "offsite" - volume either does not belong to a copy storage pool or from a device class of DEVTYPE=SERVER.*

Explanation: The access mode for the indicated volume cannot be changed to offsite because the volume either does not belong to a copy storage pool or is of a device class with a DEVTYPE of SERVER.

System Action: The access mode for this volume is not changed.

User Response: None.

ANR2118E *Storage pool *storage pool name* specified on the MOVE DATA command is not a valid poolname and or pooltype for volume *volume name*.*

Explanation: If the volume belongs to a primary storage pool, then the storage pool specified must also be a primary storage pool. If the volume belongs to a copy storage pool, then the specified storage pool must be the same storage pool as that of the volume.

System Action: The MOVE DATA process fails.

User Response: Provide a valid primary storage pool name if the volume belongs to a primary storage pool. If the volume belongs to a copy storage pool, remove the storage pool name from the command.

ANR2119I *The *Option* option has been changed in the options file.*

Explanation: The option is updated in the server options file.

System Action: Server continues.

User Response: None.

ANR2120E *Command: Invalid platform name - *platform name*.*

Explanation: The command shown specifies an invalid platform name.

System Action: The server does not process the command.

User Response: Reissue the command with a valid platform name.

ANR2121W **ATTENTION: More than *megabytes changed* MB of the database has changed and the last database backup was more than *hours name* hours ago. Use the BACKUP DB command to provide for database recovery.**

Explanation: The server issues this warning when a significant amount of database change activity has occurred and the server database has not been backed up.

System Action: Server operation continues.

User Response: To provide for server database recovery should a hardware or software problem affect your database, use the BACKUP DB command to back up the database.

ANR2122E *command name:* **The DOMAINS parameter cannot be specified when the NODES parameter is specified.**

Explanation: Both the NODES and DOMAINS parameters were specified. The NODES parameter may be specified, or the DOMAINS parameter may be specified, but both should not be specified at the same time.

System Action: The command fails.

User Response: Reenter the command specifying either the NODES parameter or the DOMAINS parameter, but not both.

ANR2123E *command name:* **The NODES parameter cannot be specified when the DOMAINS parameter is specified.**

Explanation: Both the NODES and DOMAINS parameters were specified. The NODES parameter may be specified, or the DOMAINS parameter may be specified, but both should not be specified at the same time.

System Action: The command fails.

User Response: Reenter the command specifying either the NODES parameter or the DOMAINS parameter, but not both.

ANR2124E *command name:* **Invalid Client authority specified: *authority*.**

Explanation: An invalid client authority was specified in a GRANT AUTHORITY or REVOKE AUTHORITY command when the CLASS=NODE parameter was specified.

System Action: The command fails.

User Response: Reenter the command specifying a valid client authority.

ANR2125I *command name: Administrator administrator name was granted OWNER authority for client client name.*

Explanation: The named administrator was granted OWNER authority over the named client node as the result of a GRANT AUTHORITY command.

System Action: Processing continues.

User Response: None.

ANR2126I *command name: Administrator administrator name was granted ACCESS authority for client client name.*

Explanation: The named administrator was granted ACCESS authority over the named client node as the result of a GRANT AUTHORITY command.

System Action: Processing continues.

User Response: None.

ANR2127I *command name: Owner authority for node client node was revoked for administrator administrator.*

Explanation: OWNER authority over the named client node was revoked from the named administrator as a result of a REVOKE AUTHORITY command.

System Action: Processing continues.

User Response: None.

ANR2128I *command name: Access authority for node client node was revoked for administrator administrator.*

Explanation: ACCESS authority over the named client node was revoked from the named administrator as a result of a REVOKE AUTHORITY command.

System Action: Processing continues.

User Response: None.

ANR2129I *Administrative userid administrator name defined ONLY for authority over node node name has been removed.*

Explanation: The specified administrator has been removed because the client node was removed and the administrator only had OWNER access to the specified node.

System Action: None.

User Response: None.

ANR2130S	Early Product Version has Expired. Server is HALTING. Explanation: This server is pre-release version of the server. The pre-release version's expiration date has been reached. System Action: The server halts. User Response: Install the product version of the server.
ANR2131I	Server password set. Explanation: The password that the server uses to allow other servers to communicate with it has been set, changed or removed with the SET SERVERPASSWORD command. System Action: None. User Response: None.
ANR2132I	Server hladdress set to <i>hladdress</i>. Explanation: The high level address that other servers use to communicate with this server has been set to the value indicated with the SET SERVERHLADDRESS command. System Action: None. User Response: None.
ANR2133I	Server lladdress set to <i>lladdress</i>. Explanation: The low level address that other servers use to communicate with this server has been set to the value indicated with the SET SERVERLLADDRESS command. System Action: None. User Response: None.
ANR2134I	Server url set to <i>url</i>. Explanation: The url that other servers use to communicate with this server has been set to the value indicated with the SET SERVERURL command. System Action: None. User Response: None.

-
- ANR2135I** **Crossdefine set to state.**
- Explanation:** The ability for another server to automatically define itself to this server has been turned on or off as indicated with the SET CROSSDEFINE command.
- System Action:** None.
- User Response:** None.
-
- ANR2136I** **Administrator *administrator name* already has POLICY access for domain *policy domain name*.**
- Explanation:** The named administrator already has POLICY authority over the named policy domain. An attempt to grant client authority over this domain is ignored.
- System Action:** The policy domain is skipped.
- User Response:** None.
-
- ANR2137I** **Administrator *administrator name* already has POLICY access for domain *policy domain name* to which node *node name* belongs.**
- Explanation:** The named administrator already has POLICY authority over the named policy domain. An attempt to grant client authority for a client in this domain is ignored.
- System Action:** The client is skipped.
- User Response:** None.
-
- ANR2138I** **Minimum password length set to *length*.**
- Explanation:** The minimum length of a password a node or administrator may send to the server is indicated with the SET MINPWLENGTH command.
- System Action:** None.
- User Response:** None.
-
- ANR2139E** **Command: The value supplied for the minimum password length is not valid - *length*.**
- Explanation:** A SET MINPWLENGTH command has been entered that specifies a value for the length is not valid. Valid values are from 0 to 64, inclusive.
- System Action:** The server does not process the command.
- User Response:** Reissue the command with a valid value.
-

-
- ANR2140E** *Command: Invalid activity log retention period - retention value.*
- Explanation:** A SET ACTLOGRETENTION command has been entered that specifies an invalid log retention period.
- System Action:** The server does not process the command.
- User Response:** Reissue the command with a valid retention period.
-
- ANR2141E** *Command: Invalid password expiration period - days value.*
- Explanation:** A SET PASSEXP command has been entered that specifies an invalid days value.
- System Action:** The server does not process the command.
- User Response:** Reissue the command with a password expiration period.
-
- ANR2142E** *Command: Invalid server name - server name.*
- Explanation:** A SET SERVERNAME command has been entered that specifies an invalid server name.
- System Action:** The server does not process the command.
- User Response:** Reissue the command with a valid server name.
-
- ANR2143E** *Command: Invalid node name - node name.*
- Explanation:** The command shown specifies an invalid node name.
- System Action:** The server does not process the command.
- User Response:** Reissue the command with a valid node name.
-
- ANR2144E** *Command: Invalid password - password.*
- Explanation:** The command shown specifies an invalid node password.
- System Action:** The server does not process the command.
- User Response:** Reissue the command with a valid password.
-
- ANR2145E** *Command: Contact information exceeds maximum characters characters.*
- Explanation:** A REGISTER NODE or REGISTER ADMIN command has been entered that specifies a contact information value that is too long. The maximum valid length is shown in the command.
- System Action:** The server does not process the command.
-

User Response: Reissue the command with less contact information.

ANR2146E *Command: Node node name is not registered.*

Explanation: The command shown specifies a node that is not registered with the server.

System Action: The server does not process the command.

User Response: None.

ANR2147E *Command: Node node name is already registered.*

Explanation: A REGISTER NODE command has been entered that specifies a node name already registered with the server.

System Action: The server does not process the command.

User Response: To register the node, reissue the command and specify a different node name.

ANR2148E *Command: Administrator administrator ID is not registered.*

Explanation: The command shown specifies an administrator ID that is not registered with the server.

System Action: The server does not process the command.

User Response: None.

ANR2149E *Command: Administrator administrator ID is already registered.*

Explanation: A REGISTER ADMIN command has been entered that specifies an administrator ID already registered with the server.

System Action: The server does not process the command.

User Response: To register the administrator, reissue the command and specify a different administrator ID.

ANR2150E *Command: Node node name is currently accessing the server.*

Explanation: The command shown specifies a node that has an active session with the server.

System Action: The server does not process the command.

User Response: Reissue the command at a later time, or if necessary, cancel the current session and reissue the command.

ANR2151E *Command: Administrator administrator ID is currently accessing the server.*

Explanation: An UPDATE ADMIN or REMOVE ADMIN command has been entered that specifies an administrator ID that is having an active session with the server.

System Action: The server does not process the command.

User Response: Reissue the command at a later time, or if necessary, cancel the current session and reissue the command.

ANR2152E *Command: Inventory references still exist for node node name.*

Explanation: A REMOVE NODE command has been entered for a node for which the server is still storing backup or archive data, or both.

System Action: The server does not process the command.

User Response: To remove the node, delete all of its file spaces from the server and reissue the command.

ANR2153E *Command: Invalid file space name - filespace name.*

Explanation: The specified server command has been entered with a file space name that is longer than allowed.

System Action: The server does not process the command.

User Response: Reissue the command with a valid file space name.

ANR2154E *Command: Invalid administrator name - administrator ID.*

Explanation: The command shown specifies an invalid administrator ID.

System Action: The server does not process the command.

User Response: Reissue the command with a valid administrator ID.

ANR2155E *Command: Invalid privilege class - privilege class.*

Explanation: A command specifies an invalid administrative privilege class.

System Action: The server does not process the command.

User Response: Reissue the command with a valid privilege class.

-
- ANR2156E** *Command: Administrator administrator ID has already been granted system privilege.*
- Explanation:** A GRANT AUTHORITY command has been issued to grant system authority to an administrator ID that already has system authority.
- System Action:** The server does not process the command.
- User Response:** None.
-
- ANR2157E** *Command: Other privileges cannot be granted with system privilege.*
- Explanation:** A GRANT AUTHORITY command has been issued to grant system authority to an administrator ID, and at the same time to grant other privileges.
- System Action:** The server does not process the command.
- User Response:** Reissue the GRANT AUTHORITY command specifying only system privilege class.
-
- ANR2158E** *Command: Policy domains cannot be specified for unrestricted policy administrator administrator ID.*
- Explanation:** A REVOKE AUTHORITY command has been issued to revoke an administrator's policy authority over a specific policy domain, but the administrator has unrestricted policy authority.
- System Action:** The server does not process the command.
- User Response:** None.
-
- ANR2159E** *Command: Storage pools cannot be specified for unrestricted storage administrator administrator ID.*
- Explanation:** A REVOKE AUTHORITY command has been issued to revoke an administrator's storage authority over a specific storage pool, but the administrator has unrestricted storage authority.
- System Action:** The server does not process the command.
- User Response:** None.
-
- ANR2160E** *Command: No new privileges granted to administrator administrator ID.*
- Explanation:** A GRANT AUTHORITY command has been issued to grant authority to an administrator ID, but the administrator already has all privileges specified.
- System Action:** The server does not process the command.
-

User Response: None.

ANR2161E *Command: Only system privilege can be revoked for administrator administrator ID.*

Explanation: A REVOKE AUTHORITY command has been issued to revoke one or more of an administrator's privileges, but the administrator has system authority.

System Action: The server does not process the command.

User Response: None.

ANR2162E *Command: No privileges revoked for administrator administrator ID.*

Explanation: A REVOKE AUTHORITY command has been issued to revoke authority from an administrator ID, but the administrator does not have any of the privileges specified.

System Action: The server does not process the command.

User Response: None.

ANR2163E *Command: Command is invalid for administrator ID.*

Explanation: The command specified cannot be issued for the server console. For instance, the server console administrator ID cannot be removed.

System Action: The server does not process the command.

User Response: None.

ANR2164E *Command: Command rejected - administrator ID is the only system administrator.*

Explanation: A REMOVE ADMIN or REVOKE AUTHORITY command has been issued to remove or revoke the authority of the last administrator who had system authority.

System Action: The server does not process the command.

User Response: To remove or revoke this ID, grant system authority to another administrator ID before reissuing the command.

ANR2165E *Command: Invalid begin date - date.*

Explanation: A QUERY ACTLOG command has been entered that specifies an invalid begin date as a search criteria.

System Action: The server does not process the command.

User Response: Reissue the command with a valid begin date.

ANR2166E *Command: Invalid begin time - time.*

Explanation: A QUERY ACTLOG command has been entered that specifies an invalid begin time as a search criteria.

System Action: The server does not process the command.

User Response: Reissue the command with a valid begin time.

ANR2167E *Command: Invalid end date - date.*

Explanation: A QUERY ACTLOG command has been entered that specifies an invalid end date as a search criteria.

System Action: The server does not process the command.

User Response: Reissue the command with a valid end date.

ANR2168E *Command: Invalid end time - time.*

Explanation: A QUERY ACTLOG command has been entered that specifies an invalid end time as a search criteria.

System Action: The server does not process the command.

User Response: Reissue the command with a valid end time.

ANR2169E *Command: Invalid message number - message number.*

Explanation: A QUERY ACTLOG command has been entered that specifies an invalid message number as a search criteria.

System Action: The server does not process the command.

User Response: Reissue the command with a valid message number.

ANR2170E *Command: Invalid message search string argument - search string.*

Explanation: A QUERY ACTLOG command has been entered that specifies an invalid search string as a search criteria.

System Action: The server does not process the command.

User Response: Reissue the command with a valid search string.

ANR2171E	<p><i>Command: Invalid time range - Begin: date time End: date time.</i></p> <p>Explanation: A QUERY ACTLOG command has been entered that specifies an invalid beginning and ending date/time range. This error can occur when the beginning date/time is not before the ending date/time.</p> <p>System Action: The server does not process the command.</p> <p>User Response: Reissue the command with a valid date/time range.</p>
<hr/>	
ANR2172E	<p><i>Command: No matching administrators.</i></p> <p>Explanation: The command shown specified an administrator ID that does not match any administrator registered with the server.</p> <p>System Action: The command is not executed.</p> <p>User Response: If desired, reissue the command with a different administrator ID.</p>
<hr/>	
ANR2173E	<p><i>Command: Location information exceeds maximum characters characters.</i></p> <p>Explanation: A DEFINE or UPDATE VOLUME command has been entered that specifies a location information value that is too long. The maximum valid length is shown in the command.</p> <p>System Action: The server does not process the command.</p> <p>User Response: Reissue the command with less location information.</p>
<hr/>	
ANR2174E	<p>Administrator <i>administrator ID</i> is not registered. Schedule <i>schedule name</i> is not processed and is marked as failed.</p> <p>Explanation: The command shown specifies an administrator ID that is not registered with the server. The schedule and related command are not processed.</p> <p>System Action: The server does not process the command.</p> <p>User Response: Update the command schedule with a valid administrator ID which has the proper authority to execute the scheduled command.</p>
<hr/>	
ANR2175I	<p>Invalid password limit set to <i>password attempts limit</i> attempts.</p> <p>Explanation: The maximum number of consecutive invalid passwords a node or administrator may send to the server is indicated with the SET INVALIDPWLIMIT command.</p> <p>System Action: None.</p> <p>User Response: None.</p>

-
- ANR2176E** *Command: The value supplied for the invalid password attempts limit is not valid - password attempts limit.*
- Explanation:** A SET INVALIDPWLIMIT command has been entered that specifies a value for the consecutive invalid password attempts limit that is not valid. Valid values are from 0 to 9999, inclusive.
- System Action:** The server does not process the command.
- User Response:** Reissue the command with a valid value.
-
- ANR2177I** *node/admin name has count invalid sign-on attempts. The limit is limit.*
- Explanation:** The server detected an invalid password for the specified node during sign-on processing. The node currently has sent *count* consecutive invalid passwords. The maximum allowed is *limit*. The server will lock the node when *limit* is reached.
- System Action:** The node or administrator session will be refused.
- User Response:** Before the client node is permitted to access the server, a properly authorized administrator must unlock the node or administrator with the UNLOCK NODE or UNLOCK ADMIN command.
-
- ANR2178E** *node/admin name has been locked. Invalid sign-on attempt limit (limit) reached.*
- Explanation:** The specified node has been locked by the server. The limit for consecutive invalid passwords has been reached.
- System Action:** The node or administrator session will be refused.
- User Response:** Before the client node is permitted to access the server, a properly authorized administrator must unlock the node or administrator with the UNLOCK NODE or UNLOCK ADMIN command.
-
- ANR2179E** **Administrator *administrator* should have been locked, but was not.**
- Explanation:** The indicated administrator reached the limit for consecutive invalid passwords and should have been locked. If it were locked, there would be no means to execute commands requiring system authority.
- System Action:** The administrator session will be refused.
- User Response:** Sign-on again using the correct password.
-

ANR2180W **Unable to update last access date for administrator *administrator ID* - insufficient recovery log space.**

Explanation: While establishing an administrative session for the indicated ID, the server is unable to update the administrator's date of last access due to insufficient recovery log space.

System Action: The server establishes the administrative session, but the last access date is not updated.

User Response: An authorized administrator can issue the DEFINE LOGVOLUME command to add volumes for use by the log, and can issue the EXTEND LOG command to extend the size of the log so that the new volumes are used.

ANR2181W **Unable to update last access date for administrator *administrator ID* - insufficient database space.**

Explanation: While establishing an administrative session for the indicated ID, the server cannot update the administrator's date of last access due to insufficient database space.

System Action: The server establishes the administrative session, but the last access date is not updated.

User Response: An authorized administrator can issue the DEFINE DBVOLUME command to add volumes for use by the database, and can issue the EXTEND DB command to extend the size of the database so that the new volumes are used.

ANR2182W **Unable to update last access date for administrator *administrator ID* - internal server error.**

Explanation: While establishing an administrative session for the indicated ID, the server cannot update the administrator's date of last access due to a server internal error.

System Action: The server establishes the administrative session, but the last access date is not updated.

User Response: Examine the server messages issued prior to this message to determine the source of the error. Issue the QUERY ACTLOG command to view the activity log and search for messages. If the error cannot be isolated and resolved, contact your service representative.

ANR2183W *DiagnosticID: Transaction transaction ID was aborted.*

Explanation: An error was detected during transaction commit. This message should be preceded by other messages that give additional information about the failed transaction.

System Action: The activity that generated this error fails.

User Response: Check for additional messages and eliminate the condition that caused the failed transaction. If the error cannot be isolated and resolved, contact your service representative.

ANR2184W *DiagnosticID: Transaction transaction ID was aborted for command command.*

Explanation: An error was detected during transaction commit for the specified server command. This message should be preceded by other messages that give additional information about the failed transaction.

System Action: The activity that generated this error fails.

User Response: Check for additional messages and eliminate the condition that caused the failed transaction. If the error cannot be isolated and resolved, contact your service representative.

ANR2185W *Transaction was aborted for command command.*

Explanation: An error was detected during transaction commit. This message should be preceded by other messages that give additional information about the failed transaction.

System Action: The activity that generated this error fails.

User Response: Check for additional messages and eliminate the condition that caused the failed transaction. If the error cannot be isolated and resolved, contact your service representative.

ANR2186W *Transaction was aborted for session session number for node node name (client platform).*

Explanation: An error was detected during transaction commit. This message should be preceded by other messages that give additional information about the failed transaction.

System Action: The activity that generated this error fails.

User Response: Check for additional messages and eliminate the condition that caused the failed transaction. If the error cannot be isolated and resolved, contact your service representative.

ANR2187W **Transaction was aborted for *node/admin name*.**

Explanation: An error is detected during a transaction commit for the specified node or administrator name. This message should be preceded by other messages that give additional information about the failed transaction.

System Action: The activity that generated this error fails.

User Response: Check for additional messages and eliminate the condition that caused the failed transaction. If the error cannot be isolated and resolved, contact your service representative.

ANR2188W **A Transaction was aborted. The activity is terminating.**

Explanation: An error is detected during a transaction commit. This message should be preceded by other messages that give additional information about the failed transaction.

System Action: The activity that generated this error ends.

User Response: Check for additional messages and eliminate the condition that caused the failed transaction. If the error cannot be isolated and resolved, contact your service representative.

ANR2189W *DiagnosticID:* **Transaction *transaction ID* was aborted for *node/admin name*.**

Explanation: An error is detected during a transaction commit for the specified node or administrator name. This message should be preceded by other messages that give additional information about the failed transaction.

System Action: The activity that generated this error fails.

User Response: Check for additional messages and eliminate the condition that caused the failed transaction. If the error cannot be isolated and resolved, contact your service representative.

ANR2190E *command:* **Device class **DISK** cannot be specified for this command.**

Explanation: The DEVCLASS value DISK cannot be specified for the command.

System Action: The command fails and server operation continues.

User Response: Reissue the command and specify a valid device class. Issue the QUERY DEVCLASS command for a list of valid device classes for the server.

ANR2191E *command:* **Volume list contains defined and undefined volumes.**

Explanation: The list of volumes specified on the SALVAGE VOLUME command must all be defined to the server, or all not defined to the server.

System Action: The command fails and server operation continues.

User Response: Reissue the command and specify a valid list of volumes.

ANR2192E *Command: Unable to start background process.*

Explanation: The server command processor is not able to start a background process to perform the command *command*.

System Action: The command process ends and server operation continues.

User Response: Allocate additional storage to the server. For details, issue HELP MEMORY to display the information online or see “Appendix A. Allocating Additional Server Memory”.

ANR2193E *Command: Invalid option set name - option set name.*

Explanation: The command shown specifies an invalid option set name.

System Action: The server does not process the command.

User Response: Reissue the command with a valid option set name.

ANR2194E *Command: Invalid option set description - too long.*

Explanation: The command shown specifies an invalid description. The description is too long.

System Action: The server does not process the command.

User Response: Reissue the command with a valid description.

ANR2195E *Command: Invalid option sequence number - option sequence number name.*

Explanation: The command shown specifies an invalid option sequence number.

System Action: The server does not process the command.

User Response: Reissue the command with a valid option sequence number.

ANR2196E *Command: Option name and/or Option value is missing for define.*

Explanation: The specified DEFINE command has been entered, but no attributes have been specified for the definition.

System Action: The server does not process the command.

User Response: Reissue the DEFINE command with one or more attributes to be defined

ANR2197E *Command: The value supplied for the WEB authentication time out is not valid - time-out value.*

Explanation: A SET WEBAUTHTIMEOUT command has been entered that specifies a value that is not valid. Valid values are from 0 to 9999, inclusive.

System Action: The server does not process the command.

User Response: Reissue the command with a valid value.

ANR2198I *Command: Web authentication time-out set to time-out value minutes.*

Explanation: The time-out value that determines how often WEB browser administrative users need to re-authenticate with the server has been set with the SET WEBAUTHTIMEOUT command to the value displayed.

System Action: None.

User Response: None.

ANR2199I *Password expiration period for node node name set to number of days days.*

Explanation: The number of days that the node's password can be used before it must be changed has been set to the value indicated with the SET PASSEXP command.

System Action: None.

User Response: None.

ANR2200I *Storage pool storage pool name defined (device class device class name).*

Explanation: A DEFINE STGPOOL command has created the storage pool indicated of the device class shown.

System Action: None.

User Response: None.

ANR2201I *Storage pool storage pool name deleted.*

Explanation: A DELETE STGPOOL command has deleted the storage pool indicated.

System Action: None.

User Response: None.

ANR2202I **Storage pool** *storage pool name* **updated.**

Explanation: An UPDATE STGPOOL command has updated the storage pool indicated.

System Action: None.

User Response: None.

ANR2203I **Device class** *device class name* **defined.**

Explanation: A DEFINE DEVCLASS command has created the device class indicated.

System Action: None.

User Response: None.

ANR2204I **Device class** *device class name* **deleted.**

Explanation: A DELETE DEVCLASS command has deleted the device class indicated.

System Action: None.

User Response: None.

ANR2205I **Device class** *device class name* **updated.**

Explanation: An UPDATE DEVCLASS command has updated the device class indicated.

System Action: None.

User Response: None.

ANR2206I **Volume** *volume name* **defined in storage pool** *storage pool name* **(device class** *device class name***).**

Explanation: A DEFINE VOLUME command has defined the volume indicated in the storage pool shown that belongs to the device class shown.

System Action: None.

User Response: None.

ANR2207I **Volume** *volume name* **updated.**

Explanation: An UPDATE VOLUME command has updated the volume indicated.

System Action: None.

User Response: None.

ANR2208I

Volume *volume name* **deleted from storage pool** *storage pool name*.

Explanation: The volume indicated has been deleted by one of the following:

- A DELETE VOLUME command was issued.
- The volume was empty and the volume's access mode was updated to destroyed.
- The volume was empty, scratch, and offsite, and the access mode was changed to readwrite, readonly, or unavailable.
- The volume was scratch, not offsite, and was emptied by DELETE FILESPACE, RECLAMATION, or RESTORE VOLUME/STGPOOL.

System Action: None.

User Response: None.

ANR2209W

Volume *volume name* **contains no data.**

Explanation: The AUDIT VOLUME or MOVE DATA command entered specifies a volume that contains no data.

System Action: The server does not process the command.

User Response: None.

ANR2210I

Vary online initiated for disk volume *volume name*.

Explanation: A VARY ONLINE command for the volume shown is being processed, and if no errors occur the volume will be varied online.

System Action: None.

User Response: None.

ANR2211I

Vary offline initiated for disk volume *volume name*.

Explanation: A VARY OFFLINE command for the volume shown is being processed and, if no errors occur, the volume will be varied offline.

System Action: None.

User Response: None.

-
- ANR2212I** *Command: No volumes updated.*
- Explanation:** An UPDATE VOLUME command has been entered, but no objects were updated.
- System Action:** None.
- User Response:** None.
-
- ANR2213I** *command: Storage pool storage pool name renamed to storage pool name.\n*
- Explanation:** A RENAME STGPOOL command has been entered. The rename of the storage pool was successful.
- System Action:** None.
- User Response:** None.
-
- ANR2214E** *Command: Invalid backup set name - backup set name.*
- Explanation:** The command shown specifies an invalid backup set name.
- System Action:** The command fails.
- User Response:** Reissue the command with a valid backup set name.
-
- ANR2215E** *Command: Description text is too long.*
- Explanation:** The specified description text is too long for a command that allows description text to be specified.
- System Action:** The command fails
- User Response:** Reissue the command specifying a shorter description
-
- ANR2216E** *Command: Device class is must be a sequential device class.*
- Explanation:** The device class specified on the command is not a sequential device class.
- System Action:** The command fails
- User Response:** Reissue the command specifying the name of a sequential device class
-
- ANR2217E** *Command: Invalid backup set retention period - retention value.*
- Explanation:** Server processing for the backup set command *command* fails because the value (*retention value*) specified for the RETENTION parameter is not valid.
-

System Action: The command fails

User Response: Reissue the command specifying a valid RETENTION value.

ANR2218E

Command: A device class must be specified.

Explanation: The DEVCLASS parameter is not specified in the command *command name*. A DEVCLASS value must be specified.

System Action: The command fails.

User Response: Reissue the command specifying a valid device class. Issue the QUERY DEVCLASS command for a list of valid device classes for the server.

ANR2219I

Discard Data process ended for volume *volume name* - volume is not deleted from storage pool *storage pool name* because the volume access is offsite.

Explanation: The process that deleted data for the volume shown has ended, but the volume has not been deleted because the volume access is marked as offsite.

System Action: None.

User Response: To delete the volume, change the volume access to readwrite, readonly, or unavailable.

ANR2220W

This command will delete volume *volume name* from its storage pool after verifying that the volume contains no data.

Explanation: A DELETE VOLUME command with the Discarddata=No option has been entered.

System Action: The system asks whether you wish to continue with the command.

User Response: To process the DELETE VOLUME command, enter 'Y' to continue or 'N' to stop the process.

ANR2221W

This command will result in the deletion of all inventory references to the data on volume *volume name*, thereby rendering the data unrecoverable.

Explanation: A DELETE VOLUME command with the Discarddata=Yes option has been entered.

System Action: The system asks whether you wish to continue with the command.

User Response: To process the DELETE VOLUME command, enter 'Y' to continue or 'N' to stop the process.

ANR2222I Discard Data process started for volume *volume name* (process ID *process ID*).

Explanation: As a result of a DELETE VOLUME command with the Discarddata=Yes option, the process whose ID is displayed has begun to delete the data on the volume shown.

System Action: The server deletes the data on the volume.

User Response: None.

ANR2223I Discard Data process ended for volume *volume name* - volume deleted from storage pool *storage pool name*.

Explanation: The process that deleted data for the volume shown has ended, and the volume has been deleted.

System Action: None.

User Response: None.

ANR2224W Discard Data process terminated for volume *volume name* - process canceled.

Explanation: The process that was deleting data for the volume shown, in preparation for deleting the volume, has been canceled.

System Action: The server does not delete the volume.

User Response: None.

ANR2225W Discard Data process terminated for volume *volume name* - volume still contains data.

Explanation: The process that was deleting data for the volume shown, in preparation for deleting the volume, has ended. However, the volume contains data.

System Action: The server does not delete the volume.

User Response: Contact your service representative.

ANR2226W Discard data process terminated for volume *volume name* - sufficient recovery log space is not available.

Explanation: The process that was deleting data for the volume shown, in preparation for deleting the volume, has ended due to a shortage of recovery log space.

System Action: The server does not delete the volume.

User Response: An authorized administrator can issue the DEFINE LOGVOLUME command to add volumes for use by the log, and can issue the EXTEND LOG command to extend the size of the log so that the new volumes are used.

ANR2227W **Discard data process terminated for volume *volume name* - sufficient memory is not available.**

Explanation: The process that was deleting data for the volume shown, in preparation for deleting the volume, has ended due to a shortage of memory.

System Action: The server does not delete the volume.

User Response: Allocate additional storage to the server. For details, issue HELP MEMORY to display the information online or see "Appendix A. Allocating Additional Server Memory".

ANR2228W **Discard data process terminated for volume *volume name* - lock conflict detected.**

Explanation: The process that was deleting data for the volume shown, in preparation for deleting the volume, has ended due to a locking conflict.

System Action: The server does not delete the volume.

User Response: Reissue the command at a later time. If this problem persists, contact your service representative.

ANR2229W **Discard data process terminated for volume *volume name* - internal server error detected.**

Explanation: The process that was deleting data for the volume shown, in preparation for deleting the volume, has ended due to a server internal error.

System Action: The server does not delete the volume

User Response: Contact your service representative.

ANR2232W **This command will move all of the data stored on volume *volume name* to other volumes within the same storage pool; the data will be inaccessible to users until the operation completes.**

Explanation: A move data has been entered that will move data from the indicated volume to other volumes in the same storage pool. While the data is being moved, it will not be available to users.

System Action: The administrator is asked whether to continue.

User Response: Enter 'Y' to continue with the command or 'N' to end the process.

ANR2233W This command will move all of the data stored on volume *volume name* to other volumes in storage pool *storage pool name*; the data will be inaccessible to users until the operation completes.

Explanation: A move data has been entered that will move data from the indicated volume to volumes in the storage pool shown. While the data is being moved it will not be available to users.

System Action: The administrator is asked whether to continue.

User Response: Enter 'Y' to continue with the command or 'N' to end the process.

ANR2234W This command will halt the server; if the command is issued from a remote client, it may not be possible to restart the server from the remote location.

Explanation: A HALT command has been entered.

System Action: The administrator is asked whether to continue.

User Response: Enter 'Y' to halt the server or 'N' to leave the server activated.

ANR2235W This command will remove administrator *adminName*. This administrator has defined or updated schedules. Removing this authority WILL cause these schedules to fail.

Explanation: A REMOVE ADMINISTRATOR command has been entered for an administrator that owns administrative schedules. If you confirm that you want to proceed with this command, the schedules owned by this administrator will fail when executed in the future.

System Action: The system asks whether you wish to continue with the command.

User Response: To process the REMOVE ADMINISTRATOR command, enter 'Y' to continue or 'N' to stop the process. To deal with schedules owned by the administrator, use the QUERY SCHEDULE command OR an SQL SELECT statement on the ADMIN_SCHEDULES table to determine which schedules were last updated by the administrator. Use the UPDATE SCHEDULE command to update those schedules under an administrator that has authority to execute them, or use the DELETE SCHEDULE command to remove the schedules.

ANR2236W This command has removed administrator *adminName*. This administrator has defined or updated schedules. This WILL cause these schedules to fail in the future.

Explanation: A REMOVE ADMINISTRATOR command has been entered and the administrator removed owns administrative schedules. The schedules will fail when executed in the future because they do not belong to a valid administrator.

System Action: The system removes the administrator.

User Response: Use the QUERY SCHEDULE command OR an SQL SELECT statement on the ADMIN_SCHEDULES table to determine which schedules were last updated by the administrator. Use the UPDATE SCHEDULE command to update those schedules under an administrator that has authority to execute them, or use the DELETE SCHEDULE command to remove the schedules.

ANR2237W This command has revoked privileges for administrator *adminName*. This administrator has defined or updated schedules. This may cause these schedules to fail in the future.

Explanation: A REVOKE AUTHORITY command has been entered.

System Action: The system removes the authority.

User Response: None.

ANR2238W This command will result in the deletion of all inventory references to the data on tablespaces that match the pattern *tablespace name* for node *node name*, whereby rendering the data unrecoverable.

Explanation: A DELETE TABLESPACE command has been entered.

System Action: The system asks whether you wish to continue with the command.

User Response: To process the DELETE TABLESPACE command, enter 'Y'; otherwise, enter 'N'.

ANR2239W This command will revoke privileges for administrator *adminName*. This administrator has defined or updated schedules. Revoking this authority may cause schedules to fail.

Explanation: A REVOKE AUTHORITY command has been entered.

System Action: The system asks whether you wish to continue with the command.

User Response: To process the REVOKE AUTHORITY command, enter 'Y' to continue or 'N' to stop the process.

ANR2240I Database volume *volume name* defined.

Explanation: A DEFINE DBVOLUME command has defined the database volume indicated.

System Action: None.

User Response: None.

ANR2241I	Database volume copy <i>volume name</i> defined. Explanation: A DEFINE DBCOPY command has defined the database volume indicated. System Action: None. User Response: None.
ANR2242I	Database volume copy <i>volume name</i> defined; synchronization process started (process ID <i>process ID</i>). Explanation: A DEFINE DBCOPY command has added the volume shown as a database copy volume. The process whose ID is displayed will copy data to the new volume to synchronize it with existing volumes. System Action: None. User Response: None.
ANR2243I	Database volume <i>volume name</i> deleted. Explanation: A DELETE DBVOLUME command has deleted the database volume indicated. System Action: None. User Response: None.
ANR2244I	Delete process initiated for database volume <i>volume name</i> (process id <i>process ID</i>). Explanation: In response to a DELETE DBVOLUME command, the process with the process ID shown has been started to delete the volume. System Action: None. User Response: None.
ANR2245I	Database volume <i>volume name</i> varied online. Explanation: A VARY ONLINE command has put the database volume indicated into an online state. System Action: None. User Response: None.

ANR2246I **Vary online process initiated for database volume *volume name* (process ID *process ID*).**

Explanation: In response to a VARY ONLINE command, the process with the process ID shown has been started to vary on the database volume indicated.

System Action: None.

User Response: None.

ANR2247I **Database volume *volume name* varied offline.**

Explanation: A VARY OFFLINE command has put the indicated database volume into an offline state.

System Action: None.

User Response: None.

ANR2248I **Database assigned capacity has been extended.**

Explanation: An EXTEND DB command has increased the storage capacity of the database.

System Action: None.

User Response: None.

ANR2249I **Database extension process initiated (process ID *process ID*).**

Explanation: In response to an EXTEND DB command, the process with the process ID shown has been started to extend the database.

System Action: None.

User Response: None.

ANR2250I **Database assigned capacity has been reduced.**

Explanation: A REDUCE DB command has decreased the storage capacity of the database.

System Action: None.

User Response: None.

ANR2251I **Database reduction process initiated (process ID *process ID*).**

Explanation: In response to a REDUCE DB command, the process with the process ID shown has been started to reduce the database.

System Action: None.

User Response: None.

ANR2252W **Database volume copy *volume name* is larger than volume *volume name* by *count* megabyte(s).**

Explanation: A DEFINE DBCOPY command has defined a database copy volume whose size is larger than the volume it mirrors by the amount shown.

System Action: The excess capacity is ignored.

User Response: None.

ANR2253W **The database volume copy to be defined (*volume name*) is larger than volume *volume name*; use of the volume will result in *count* megabyte(s) of unusable space.**

Explanation: A DEFINE DBCOPY command is attempting to define a database copy volume whose size is larger than the volume it mirrors by the amount shown. The excess capacity would not be used.

System Action: The administrator is asked whether to continue.

User Response: Enter 'Y' to define the copy, 'N' otherwise.

ANR2254E **Command: The VOLUMENAMES parameter must be specified when SCRATCH=NO is specified.**

Explanation: The SCRATCH parameter is specified as NO for the command *Command* but the VOLUMENAMES parameter is not specified. When scratch volumes are not allowed, the VOLUMENAMES parameter must be specified to indicate the volumes that can be used for the command.

System Action: The command fails.

User Response: Reissue the command and specify a valid VOLUMENAMES parameter.

ANR2255E **Command: The VOLUMENAMES parameter must be specified.**

Explanation: The VOLUMENAMES parameter must be specified to indicate the volumes that can be used for the command.

System Action: The command fails.

User Response: Reissue the command and specify a valid VOLUMENAMES parameter.

ANR2256E	<p><i>Command: The RETENTION parameter must be specified.</i></p> <p>Explanation: The RETENTION parameter must be specified to indicate the retention period to be used for the command.</p> <p>System Action: The command fails.</p> <p>User Response: Reissue the command and specify a valid RETENTION parameter.</p>
<hr/>	
ANR2257E	<p><i>Command: Administrator administrator name is not authorized to issue this command for node node name.</i></p> <p>Explanation: The specified administrator has entered the indicated command, but this administrator does not have the proper authority necessary to run the command for the indicated node. Note: This message can be issued as a result of the server option REQSYSAUTHOUTFILE YES being in effect.</p> <p>System Action: The server does not process the command for the indicated node. If multiple nodes were specified on the command, the server may continue processing the command for the other nodes.</p> <p>User Response: Examine previous messages for any additional information. Issue the command from a properly authorized administrator ID, or contact the system administrator to have additional authority granted to the current administrator ID.</p>
<hr/>	
ANR2258E	<p><i>Command: Invalid summary retention period - retention value.</i></p> <p>Explanation: A SET SUMMARYRETENTION command has been entered that specifies an invalid retention period.</p> <p>System Action: The server does not process the command.</p> <p>User Response: Reissue the command with a valid retention period.</p>
<hr/>	
ANR2259I	<p>Summary retention period set to number of days days.</p> <p>Explanation: The number of days that activity summary records are kept in the server database has been set to the value indicated with the SET SUMMARYRETENTION command.</p> <p>System Action: None.</p> <p>User Response: None.</p>
<hr/>	
ANR2260I	<p>Recovery log volume volume name defined.</p> <p>Explanation: A DEFINE LOGVOLUME command has defined the recovery log volume indicated.</p>

System Action: None.

User Response: None.

ANR2261I Recovery log volume copy *volume name* defined.

Explanation: A DEFINE LOGCOPY command has defined the recovery log volume indicated.

System Action: None.

User Response: None.

ANR2262I Recovery log volume copy *volume name* defined; synchronization process started (process ID *process ID*).

Explanation: A DEFINE LOGCOPY command has added the volume shown as a log copy volume. The process whose ID is displayed copied data to the new volume to synchronize it with existing volumes.

System Action: None.

User Response: None.

ANR2263I Recovery log volume *volume name* deleted.

Explanation: A DELETE LOGVOLUME command has removed the recovery log volume indicated.

System Action: None.

User Response: None.

ANR2264I Delete process initiated for recovery log volume *volume name* (process id *process ID*).

Explanation: In response to a DELETE LOGVOLUME command, the process with process ID shown has been started to delete the volume.

System Action: None.

User Response: None.

ANR2265I Recovery log volume *volume name* varied online.

Explanation: A VARY ONLINE command has put the recovery log volume indicated into an online state.

System Action: None.

User Response: None.

ANR2266I **Vary online process initiated for recovery log volume** *volume name* **(process ID process ID).**

Explanation: In response to a VARY ONLINE command, the process with process ID shown has been started to vary on the recovery log volume indicated.

System Action: None.

User Response: None.

ANR2267I **Recovery log volume** *volume name* **varied offline.**

Explanation: A VARY OFFLINE command has put the recovery log volume indicated into an offline state.

System Action: None.

User Response: None.

ANR2268I **Recovery log assigned capacity has been extended.**

Explanation: An EXTEND LOG command has increased the storage capacity of the recovery log.

System Action: None.

User Response: None.

ANR2269I **Recovery log extension process initiated (process ID process ID).**

Explanation: In response to an EXTEND LOG command, the process with the process ID shown has been started to extend the recovery log.

System Action: None.

User Response: None.

ANR2270I **Recovery log assigned capacity has been reduced.**

Explanation: A REDUCE LOG command has decreased the storage capacity of the recovery log.

System Action: None.

User Response: None.

-
- ANR2271I** **Recovery log reduction process initiated (process ID *process ID*).**
- Explanation:** In response to a REDUCE LOG command, the process with the process ID shown has been started to reduce the recovery log.
- System Action:** None.
- User Response:** None.
-
- ANR2272W** **Recovery log volume copy *volume name* is larger than volume *volume name* by *count* megabytes.**
- Explanation:** A DEFINE LOGCOPY command has defined a recovery log copy volume whose size is larger than the volume it mirrors by the amount shown.
- System Action:** The excess capacity is ignored.
- User Response:** None.
-
- ANR2273W** **The recovery log volume copy to be defined (*volume name*) is larger than volume *volume name*; use of the volume will result in *count* megabytes of unusable space.**
- Explanation:** A DEFINE LOGCOPY command is attempting to define a recovery log copy volume whose size is larger than the volume it mirrors by the amount shown. The excess capacity would not be used.
- System Action:** The administrator is asked whether to continue.
- User Response:** Enter 'Y' to define the copy or 'N' to stop the process.
-
- ANR2274I** **Data Base Space trigger defined and enabled.**
- Explanation:** The data base space trigger has been defined with a DEFINE SPACETRIGGER command. The percentage of utilization specified with the FULLPCT parameter is used to automatically expand the data base.
- System Action:** None.
- User Response:** None.
-
- ANR2275I** **Data Base Space trigger defined, but is disabled.**
- Explanation:** A data base space trigger has been defined, but because the space expansion percentage is currently set to 0, the space trigger is disabled.
- System Action:** None.
- User Response:** To activate the space trigger, use the UPDATE SPACETRIGGER command to set the space expansion percentage to a value greater than 0.
-

ANR2276I

Data Base Space trigger updated and enabled.

Explanation: An UPDATE SPACETRIGGER command has successfully completed for the data base space trigger. The updated parameters specified on the command are used to automatically trigger space expansion for the data base.

System Action: None.

User Response: None.

ANR2277I

Data Base Space trigger updated, but disabled.

Explanation: An UPDATE SPACETRIGGER command has successfully completed for the data base space trigger. However, the space expansion percentage is currently set to 0, which disables the space trigger.

System Action: None.

User Response: To activate the space trigger, use the UPDATE SPACETRIGGER command with the SPACE expansion parameter to set a value greater than zero.

ANR2278I

Database Space trigger deleted.

Explanation: A DELETE SPACETRIGGER command has successfully completed for the data base space trigger. Space expansions are no longer triggered automatically for the data base.

System Action: None.

User Response: None.

ANR2279I

Recovery Log Space trigger defined and enabled.

Explanation: The recovery log space trigger has been defined with a DEFINE SPACETRIGGER command. The percentage of utilization specified with the FULLPCT parameter is used to automatically expand the recovery log.

System Action: None.

User Response: None.

ANR2280I

Full database backup started as process *process ID*.

Explanation: A background process was started to backup the contents of the database. The full database backup process was assigned the process ID shown.

System Action: The database backup process starts and server operation continues.

User Response: The administrator may query the status of the database backup process by using the QUERY PROCESS command, or cancel the process with the CANCEL PROCESS command.

ANR2281I **Incremental database backup started as process *process ID*.**

Explanation: A background process was started to backup the contents of the database. The incremental database backup process was assigned the process ID shown.

System Action: The database backup process starts and server operation continues.

User Response: The administrator may query the status of the database backup process by using the QUERY PROCESS command, or cancel the process with the CANCEL PROCESS command.

ANR2282I **Database backup trigger defined and enabled.**

Explanation: A database backup trigger has been defined with a DEFINE DBBACKUPTRIGGER command. The percentage of recovery log utilization specified with the LOGFULLPCT parameter is used to automatically trigger database backups.

System Action: None.

User Response: None.

ANR2283I **Database backup trigger defined, but is disabled.**

Explanation: A database backup trigger has been defined, but because the recovery log mode is currently set to NORMAL, the database backup trigger is disabled. Database backups can only be triggered when the log mode is set to ROLLFORWARD with a SET LOGMODE command.

System Action: None.

User Response: To activate the database backup trigger, use the SET LOGMODE ROLLFORWARD command.

ANR2284I **Database backup trigger updated and enabled.**

Explanation: An UPDATE DBBACKUPTRIGGER command has successfully completed. The updated parameters specified on the command are used to automatically trigger database backups.

System Action: None.

User Response: None.

-
- ANR2285I** **Database backup trigger updated, but disabled.**
- Explanation:** An UPDATE DBBACKUPTRIGGER command has successfully completed, but because the recovery log mode is currently set to NORMAL, the database backup trigger is disabled. Database backups can only be triggered when the log mode is set to ROLLFORWARD with a SET LOGMODE command.
- System Action:** None.
- User Response:** To activate the database backup trigger, use the SET LOGMODE ROLLFORWARD command.
-
- ANR2286I** **Database backup trigger deleted.**
- Explanation:** A DELETE DBBACKUPTRIGGER command has successfully completed. Database backups are no longer triggered automatically by recovery log utilization.
- System Action:** None.
- User Response:** None.
-
- ANR2287I** **Snapshot database backup started as process *process ID*.**
- Explanation:** A background process was started to backup the contents of the database. The snapshot database backup process was assigned the process id shown.
- System Action:** The database backup process starts and server operation continues.
- User Response:** The administrator may query the started process by using the QUERY PROCESS command, or may cancel the process using the CANCEL PROCESS command.
-
- ANR2288I** **Subfile set to *state*.**
- Explanation:** The SET SUBFILE command has been used to specify whether this server will allow clients to back up subfiles. If a value of CLIENT is specified, clients are given the option of backing up subfiles. If a value of NO is specified, clients are not allowed to back up subfiles.
- System Action:** None.
- User Response:** None.
-
- ANR2290W** **Changing the log mode to NORMAL will prevent roll-forward recovery.**
- Explanation:** The system has determined that changing the recovery log mode from ROLLFORWARD to NORMAL mode will cause the log records being kept
-

for ROLLFORWARD and single database volume restore processing to be discarded. Without these log records, only point-in-time database restores can be performed.

System Action: The administrator is asked whether to continue.

User Response: Enter 'Y' to change the LOGMODE, 'N' otherwise.

ANR2291W Changing the log mode to NORMAL will disable the database backup trigger.

Explanation: Changing the recovery log mode from ROLLFORWARD to NORMAL disables the setting specified in the DEFINE DBBACKUPTRIGGER command. Database backups can only be triggered when the recovery log mode is set to ROLLFORWARD with the SET LOGMODE command.

System Action: The administrator is asked whether to continue.

User Response: Enter 'Y' to change the log mode, 'N' otherwise. Responding 'Y' does not delete the DEFINE DBBACKUPTRIGGER settings.

ANR2292W Changing the log mode to ROLLFORWARD will enable the database backup trigger.

Explanation: Changing the recovery log mode from NORMAL to ROLLFORWARD causes a previously issued DEFINE DBBACKUPTRIGGER command to become effective, and immediately start a full database backup. Database backups can only be triggered when the recovery log mode is set to ROLLFORWARD with a SET LOGMODE command.

System Action: The administrator is asked whether to continue.

User Response: Enter 'Y' to change the log mode, 'N' otherwise.

ANR2293I Only point-in-time database recovery is now possible.

Explanation: An administrator has changed the recovery log mode from ROLLFORWARD to NORMAL with a SET LOGMODE command. Only point-in-time database restores can be performed. ROLLFORWARD database restores and individual database volume restores are not possible.

System Action: None.

User Response: None.

ANR2294I Log mode set to log mode.

Explanation: The mode for saving recovery log records has been set as indicated by the SET LOGMODE command. When set to NORMAL, only those log records needed to resume database processing if a system failure occurs are saved. When set

to ROLLFORWARD, all log records created since the last database backup are saved. ROLLFORWARD mode also enables the database backup trigger to be used to automatically start database backups based on the percentage of recovery log utilization.

System Action: None.

User Response: None.

ANR2295I Log mode set to ROLLFORWARD; database backup trigger enabled.

Explanation: The mode for saving recovery log records has been set to ROLLFORWARD, and a previously defined database backup trigger has been enabled. All log records created since the last database backup are saved in this mode. The database backup trigger will automatically start a database backup based on the percentage of recovery log utilization.

System Action: None.

User Response: None.

ANR2296I Log mode set to NORMAL; database backup trigger disabled.

Explanation: The mode for saving recovery log records has been set to NORMAL mode, and the defined database backup trigger is disabled. Only those log records needed to resume database processing if a system failure occurs are saved in this mode. Database backups can only be started using the BACKUP DB command.

System Action: None.

User Response: None.

ANR2297I *Command: Optionset optionset name, option option name, sequence number old sequence number, has been changed to new sequence number.*

Explanation: The requested option sequence number has been updated in response to an UPDATE CLIENTOPT command.

System Action: None.

User Response: None.

ANR2298I *Command: Optionset optionset name, option option name, sequence number old sequence number, is not updated.*

Explanation: The requested option sequence number is not updated in response to an UPDATE CLIENTOPT command.

System Action: None.

User Response: Reissue the UPDATE CLIENTOPT command with a valid old sequence number.

ANR2299I Password expiration period for administrator *administrator name* set to number of days *days*.

Explanation: The number of days that the administrator's password can be used before it must be changed has been set to the value indicated with the SET PASSEXP command.

System Action: None.

User Response: None.

ANR2300E Could not open "*file spec*" the server help file.

Explanation: The named help file could not be accessed.

System Action: The requested help text is not displayed.

User Response: Contact the system administrator.

ANR2301E Errors were encountered while setting up the index to the help text.

Explanation: Either insufficient memory or a help file read failure has occurred during setup of the help index.

System Action: The server does not display the requested help text.

User Response: Contact the system administrator.

ANR2302E The argument *operand* is not valid for the HELP command.

Explanation: The argument supplied on the HELP command is not an integer or the name of a command.

System Action: The server does not process the HELP command.

User Response: Issue the HELP command with no operands and select from the numbered list displayed in response.

ANR2303E There is no help section numbered *section number*.

Explanation: The numeric operand supplied on the HELP command is either less than 1 or greater than the highest-numbered entry in the help index.

System Action: The server does not process the HELP command.

User Response: Issue the HELP command with no operands and select from the numbered list (help index) displayed in response.

-
- ANR2304E** **I/O error reading "*help file name*" the file of help text.**
Explanation: An error is detected when reading help text from the named file.
System Action: The server ends display of the help text.
User Response: Contact the system administrator.
-
- ANR2305E** **No such command/subcommand: *command subcommand*.**
Explanation: The operands you entered for the HELP command do not match any named entry into the file of help text.
System Action: The server does not process the HELP command.
User Response: Check your input for a misspelled command or subcommand name.
-
- ANR2306E** **No help text could be found for this command/subcommand: *command*.**
Explanation: The operands you entered for the HELP command, although valid command/subcommand names, do not match any named entry into the file of help text.
System Action: The server does not process the HELP command.
User Response: Contact the system administrator.
-
- ANR2307E** **No help text could be found for this message: *message ID*.**
Explanation: The message ID you entered for the help command does not match any message entry in the file of help text.
System Action: The help command is not processed.
User Response: Contact the system administrator.
-
- ANR2308W** **Audit Volume marking damaged file as damaged on volume *volume name*: Node *node name*, Type *file type*, File space *filespace name*, File Name *file name*.**
Explanation: As the result of an AUDIT VOLUME command that specified FIX=YES for the volume shown, the file whose information is displayed is marked as damaged in the server. The file is marked as damaged because it can be recovered from a copy known to exist in a COPY storage pool. If this file belongs to an aggregate, the entire aggregate is marked damaged, and this message will be issued for every file in the aggregate.
System Action: The file is marked as damaged in the server database.
-

User Response: To recover the damaged file use the RESTORE STGPOOL or RESTORE VOLUME command.

ANR2309E

The server log mode is currently set to roll-forward. You may run out of log space when auditing the server in this mode. Specify LOGMODE=NORMAL to set the log mode to NORMAL for the audit operation, or LOGMODE=ROLLFORWARD to force the audit operation with the logmode set to roll-forward.

Explanation: An AUDITDB operation was specified and the server log mode is set to roll-forward mode. When in roll-forward mode, the server may run out of log space during the AUDITDB operation, requiring an emergency extend of the recovery log to re-start the server. The recommended log mode for executing an AUDITDB operation is NORMAL.

System Action: The AUDITDB operation fails

User Response: To force the server log mode to NORMAL for the AUDITDB operation, specify LOGMODE=NORMAL on the AUDITDB command. Specify LOGMODE=ROLLFORWARD on the AUDITDB command to allow the audit to run with a roll-forward log mode setting.

ANR2310W

This command will compare all inventory references to volume *volume name* with the actual data stored on the volume and will report any discrepancies; the data will be inaccessible to users until the operation completes.

Explanation: During the execution of an AUDIT VOLUME command, any data the volume named would be unavailable to users.

System Action: The administrator is asked whether to continue.

User Response: Enter 'Y' to audit the volume or 'N' to stop the process.

ANR2311W

This command will discard any inventory references to volume *volume name* associated with missing or inconsistent stored data, thereby rendering the data unrecoverable; the valid data on the volume will be inaccessible to users until the operation completes.

Explanation: During the execution of an AUDIT VOLUME command, any data the volume named would be unavailable to users. After the command has ended, any inconsistent data found will be discarded.

System Action: The administrator is asked whether to continue.

User Response: Enter 'Y' to audit the volume or 'N' to stop the process.

ANR2312I **Audit Volume (Repair) process started for volume** *volume name* **(process ID**
process ID).

Explanation: As the result of an AUDIT VOLUME command that specified FIX=YES for the volume shown, the process whose ID is displayed has begun auditing the volume.

System Action: The volume is audited and inconsistent data is discarded.

User Response: None.

ANR2313I **Audit Volume (Inspect Only) process started for volume** *volume name* **(process**
ID process ID).

Explanation: As the result of an AUDIT VOLUME command that specified FIX=NO for the volume shown, the process whose ID is displayed has begun auditing the volume.

System Action: The volume is audited and inconsistent data is displayed.

User Response: None.

ANR2314I **Audit volume process ended for volume** *volume name*; **file count files inspected,**
file count **damaged files deleted, file count** **damaged files marked as damaged.**

Explanation: The AUDIT VOLUME command specifying FIX=YES for the volume shown has ended. The number of files audited and the number of inconsistent files deleted or marked as damaged are displayed. The number of files marked as damaged includes all files belonging to aggregates that were marked damaged during the audit. Files are marked as damaged in primary storage pools and not deleted when backup copies for the files are known to exist in COPY storage pools.

System Action: None.

User Response: To recover files that have been marked as damaged on the volume, use the RESTORE STGPOOL or RESTORE volume command.

ANR2315I **Audit volume process ended for volume** *volume name*; **file count files inspected,**
file count **damaged files found and marked as damaged.**

Explanation: The AUDIT VOLUME command specifying FIX=NO for the volume shown has ended. The number of files audited and the number of inconsistent files found are displayed. The number of files marked damaged includes all files belonging to aggregates that were marked damaged during the audit. Inconsistent files are marked as damaged in the database and can be recovered by using the RESTORE STGPOOL or RESTORE VOLUME command if copies of the files reside in a COPY storage pool. Another AUDIT VOLUME command may be

able to access the files and reset the damaged indicator in the database if the audit volume process cannot access the files due to hardware problems (for example, dirty tape heads).

System Action: None.

User Response: If you suspect that files were inaccessible because of hardware problems such as dirty tape heads, correct the hardware problem and reissue the AUDIT VOLUME FIX=NO command for this volume. To remove damaged file references, issue the AUDIT VOLUME command and specify FIX=YES.

ANR2316W **Audit Volume deleting damaged file on volume** *volume name*: **Node** *node name*, **Type** *file type*, **File space** *filespace name*, **File Name** *file name*.

Explanation: As the result of an AUDIT VOLUME command that specified FIX=YES for the volume shown, the file whose information is displayed is deleted from the server.

System Action: The file is deleted.

User Response: None.

ANR2317W **Audit Volume found damaged file on volume** *volume name*: **Node** *node name*, **Type** *file type*, **File space** *filespace name*, **File name** *file name*.

Explanation: As the result of an AUDIT VOLUME command that specified FIX=NO for the volume shown, the file whose information is displayed is found to be in error and not accessible. If this file belongs to an aggregate, the entire aggregate is marked damaged, and this message will be issued for every file in the aggregate.

System Action: None.

User Response: None.

ANR2318W **Audit volume process terminated for volume** *volume name* - **process canceled**.

Explanation: During processing of an AUDIT VOLUME command for the volume shown, the process performing the audit was canceled.

System Action: The AUDIT VOLUME command is ended.

User Response: None.

ANR2319W **Audit volume process terminated for volume** *volume name* - **error reading device**.

Explanation: During processing of an AUDIT VOLUME command for the volume shown, an unrecoverable read error occurred on the volume.

System Action: The AUDIT VOLUME command is ended.

User Response: Attempt to correct the cause of the read error, and reissue the command.

ANR2320W **Audit volume process terminated for volume *volume name* - data transfer interrupted.**

Explanation: During processing of an AUDIT VOLUME command for the volume shown, a data transfer operation has been interrupted and cannot be continued.

System Action: The AUDIT VOLUME command is ended.

User Response: If possible, determine and correct the cause of the interruption, and reissue the command.

ANR2321W **Audit volume process terminated for volume *volume name* - storage media inaccessible.**

Explanation: During processing of an AUDIT VOLUME command for the volume shown, a required volume cannot be mounted.

System Action: The AUDIT VOLUME command is ended.

User Response: None.

ANR2322W **Audit volume process terminated for volume *volume name* - sufficient recovery log space is not available.**

Explanation: During processing of an AUDIT VOLUME command for the volume shown, the server does not have sufficient recovery log space to continue.

System Action: The AUDIT VOLUME command is ended.

User Response: If necessary, make more recovery log space available to the server.

ANR2323W **Audit volume process terminated for volume *volume name* - sufficient database space is not available.**

Explanation: During processing of an AUDIT VOLUME command for the volume shown, the server does not have sufficient database space to continue.

System Action: The AUDIT VOLUME command is ended.

User Response: If necessary, make more database space available to the server.

ANR2324W **Audit volume process terminated for volume *volume name* - thread resource not available.**

Explanation: During processing of an AUDIT VOLUME command for the volume shown, the server cannot start a thread for the audit process.

System Action: The AUDIT VOLUME command is ended.

User Response: Reissue the AUDIT VOLUME command. If the error persists, it may indicate a shortage of server memory.

ANR2325W **Audit volume process terminated for volume *volume name* - sufficient memory is not available.**

Explanation: During processing of an AUDIT VOLUME command for the volume shown, the server does not have enough memory available to complete the command.

System Action: The AUDIT VOLUME command is ended.

User Response: If necessary make more memory available to the server.

ANR2326W **Audit volume process terminated for volume *volume name* - lock conflict detected.**

Explanation: During processing of an AUDIT VOLUME command for the volume shown, the server cannot obtain a required lock.

System Action: The AUDIT VOLUME command is ended.

User Response: Reissue the command.

ANR2327W **Audit volume process terminated for volume *volume name* - internal server error detected.**

Explanation: During processing of an AUDIT VOLUME command for the volume shown, an internal server error occurs.

System Action: The AUDIT VOLUME command is ended.

User Response: Contact your service representative.

ANR2332W **Object *object.ID* deleted by another process during execution of an AUDIT VOLUME command for volume *volume name*.**

Explanation: During processing of an AUDIT VOLUME command, a data storage object was deleted from the volume that was being audited. The AUDIT VOLUME process was unable to locate this object on the specified volume. Normally, this

action is not considered an error condition, because the object was probably deleted by a process such as a DELETE FILESPACE command.

System Action: Processing of the AUDIT VOLUME command continues.

User Response: Check the activity log to verify that some process (such as a DELETE FILESPACE command) was in progress during the AUDIT VOLUME command that would account for the deleted object. If no such process can be identified, contact your service representative.

ANR2333W **Missing or incorrect information detected by AUDIT VOLUME for volume *volume name*.**

Explanation: An AUDIT VOLUME command detects missing or incorrect information for the specified volume.

System Action: Audit processing continues.

User Response: Reissue the audit command with FIX=YES so that the information can be created or corrected.

ANR2334W **Missing or incorrect information detected by AUDIT VOLUME for volume *volume name* - information will be created or corrected.**

Explanation: An AUDIT VOLUME process detects missing or incorrect information for the specified volume. Because FIX=YES has been specified for the audit command, the information is created or corrected.

System Action: Audit processing continues.

User Response: None.

ANR2335W **Audit Volume has encountered an I/O error for volume *volume name* while attempting to read: Node *node name*, Type *file type*, Filespace *file space name*, File Name *file name*.**

Explanation: The AUDIT VOLUME process encountered an I/O error for the specified volume while attempting to read the specified file. If this file belongs to an aggregate, the entire aggregate is marked damaged, and this message will be issued for every file in the aggregate.

System Action: None.

User Response: Identify and resolve the I/O error for the volume if possible. Verify that the volume's device is functioning properly and that the volume is usable. For example, if the volume is a tape volume, make sure the drive is clean or that the tape volume is usable by testing it by using a different drive.

-
- ANR2336W** **Audit Volume terminated for volume *volume name* - insufficient number of mount points available for removable media.**
- Explanation:** During Audit Volume for the indicated volume, the server could not allocate sufficient mount points for the volume required.
- System Action:** Audit Volume stops.
- User Response:** If necessary, make more mount points available.
-
- ANR2339E** **Command: Object sets still exist for node *node name*.**
- Explanation:** A REMOVE NODE command has been entered for a node for which the server is still storing backup sets. To remove a node, the node must not have any files or backup sets stored on the server.
- System Action:** The server does not process the command.
- User Response:** To remove the node, delete all backup sets from the server and reissue the command.
-
- ANR2340E** **Command: Invalid storage pool name - *storage pool name*.**
- Explanation:** The command indicated contains an invalid storage pool name.
- System Action:** The server does not process the command.
- User Response:** Reissue the command with a valid storage pool name.
-
- ANR2341E** **Command: Missing next storage pool name.**
- Explanation:** The command indicated requires a storage pool name, but none has been entered.
- System Action:** The server does not process the command.
- User Response:** Reissue the command with a storage pool name.
-
- ANR2342E** **Command: Storage pool description exceeds *maximum characters* characters.**
- Explanation:** The command indicated contains a storage pool description that exceeds the maximum length allowed.
- System Action:** The server does not process the command.
- User Response:** Reissue the command with a valid storage pool description.
-

ANR2343E	<p><i>Command: Invalid device class name - device class name.</i></p> <p>Explanation: The command indicated contains an invalid device class name.</p> <p>System Action: The server does not process the command.</p> <p>User Response: Reissue the command with a valid device class name.</p>
<hr/>	
ANR2344E	<p><i>Command: The "option" option is not valid for device class device class name.</i></p> <p>Explanation: The command indicated specifies an option shown that is not valid for a storage pool that belongs to the device class shown.</p> <p>System Action: The server does not process the command.</p> <p>User Response: Reissue the command with options appropriate to the device class.</p>
<hr/>	
ANR2345E	<p><i>Command: Invalid volume name - volume name.</i></p> <p>Explanation: The command indicated contains an invalid volume name.</p> <p>System Action: The server does not process the command.</p> <p>User Response: Reissue the command with a valid volume name.</p>
<hr/>	
ANR2346E	<p><i>Command: Volume name "volume name" is not valid for device class device class name.</i></p> <p>Explanation: The command indicated specifies the name of a volume that cannot be used with the device class shown.</p> <p>System Action: The server does not process the command.</p> <p>User Response: Reissue the command with a valid volume name.</p>
<hr/>	
ANR2347E	<p><i>Command: Volume name "volume name" is ambiguous; resolves to multiple defined volume names.</i></p> <p>Explanation: The command shown was entered with a volume name pattern that matches more than one volume. The command can only process a single volume.</p> <p>System Action: The command is not executed.</p> <p>User Response: Reissue the command with a more specific volume name.</p>
<hr/>	
ANR2348E	<p><i>Command: The "option" option is not valid for a volume assigned to a primary storage pool.</i></p> <p>Explanation: The command indicated specifies an option that is not valid for a volume in a primary storage pool.</p>

System Action: The server does not process the command.

User Response: Reissue the command with valid options for a volume in a primary storage pool.

ANR2349E *Command: The "option" option is not valid for a volume assigned to a copy storage pool.*

Explanation: The command indicated specifies an option that is not valid for a volume in a copy storage pool.

System Action: The server does not process the command.

User Response: Reissue the command with valid options for a volume in a copy storage pool.

ANR2350E *Command: Device class device class name is already defined.*

Explanation: The command indicated has attempted to define a device class that already exists.

System Action: The server does not process the command.

User Response: None.

ANR2351E *Command: Device class device class name is not defined.*

Explanation: The command indicated references a device class that does not exist.

System Action: The server does not process the command.

User Response: None.

ANR2352E *Command: Device class device class name may not be deleted.*

Explanation: A DELETE DEVCLASS command specifies the class name DISK, which is a system-defined device class and may not be deleted.

System Action: The server does not process the command.

User Response: None.

ANR2353E *Command: Device class device class name may not be updated.*

Explanation: An UPDATE DEVCLASS command specifies the class name DISK, which is a system-defined device class and may not be changed.

System Action: The server does not process the command.

User Response: None.

ANR2354E *Command: Device class device class name is still referenced by one or more storage pools, or database backup or export volumes.*

Explanation: The DELETE DEVCLASS command has attempted to delete a device class that has storage pools assigned to it, or is referenced by database backup or export volumes.

System Action: The server does not process the command.

User Response: Issue Q DEVCLASS to view the storage pool reference count, Q STGPOOL to determine which pool references the device class, and Q VOLHIST to locate database backup or export volume references.

ANR2355E *Command: Required parameter is missing - missing parameter.*

Explanation: The specified server command has been entered without the required parameter. The required parameter is shown.

System Action: The server ignores the command.

User Response: Reissue the command and enter the proper syntax.

ANR2356E *Command: Incompatible parameters specified - first parameter, second parameter.*

Explanation: The specified server command has been entered with mutually exclusive parameters. The two parameters are listed.

System Action: The server ignores the command.

User Response: Reissue the command and enter the proper syntax.

ANR2357E *Command: The DISK device class is not supported for copy storage pools.*

Explanation: An attempt is made to define a copy storage pool using a device of DISK. Copy storage pools can only be assigned to a sequential device class.

System Action: The server does not process the command.

User Response: Reissue the command specifying a sequential device class.

ANR2358E *Command: Device class device class name is still referenced in the volume history file.*

Explanation: The DELETE DEVCLASS command has attempted to delete a device class that is associate with entries in the volume history file. These entries are for volumes that contain database backup or export data.

System Action: The server does not process the command.

User Response: Use the DELETE VOLHIST command to remove that entries before deleting the device class.

ANR2359E

Command: Volume name "volume name" must be specified with a DISK STGPOOL.

Explanation: The command indicated specifies the name of a volume that must be specified with a disk storage pool.

System Action: The server does not process the command.

User Response: Reissue the command with a valid volume name and storage pool.

ANR2360E

Command: Device class device class name may not be used for database backup.

Explanation: The command specifies the DISK device class, which cannot be used for database backup, backup trigger, or restore operations.

System Action: The server does not process the command.

User Response: Reissue the command with a valid device class.

ANR2361E

Command: A full database backup is required.

Explanation: A BACKUP DB command specified an incremental backup, but a full backup is required.

System Action: The server does not process the command.

User Response: Reissue the command specifying a full backup.

ANR2362E

Command: Database backup is not currently possible - compressed log records exist in the current transaction checkpoint.

Explanation: A BACKUP DB command was issued but a database backup cannot be started. Log compression has recently taken place, and the compressed log records are still part of the current transaction checkpoint. After these log records are no longer part of the current checkpoint a backup can take place.

System Action: The server does not process the command.

User Response: Reissue the command at a later time.

ANR2363E

Command: One of the following parameter must be supplied but is missing - missing parameter, missing parameter, missing parameter, missing parameter.

Explanation: The specified server command has been entered without one of the mutually exclusive required parameters. One of the parameters from the list must be specified.

System Action: The server ignores the command.

User Response: Reissue the command and enter the proper syntax.

ANR2364E *Command: Missing reclaim-storage pool name.*

Explanation: The command indicated requires a storage pool name, but none has been entered.

System Action: The server does not process the command.

User Response: Reissue the command with a storage pool name.

ANR2365I *Backupset backup set name for node node name has been deleted.*

Explanation: The backup set has been deleted.

System Action: The server has deleted the backupset.

User Response: None.

ANR2366I *Backupset backup set name for node node name would have been deleted.*

Explanation: The backup set would have been deleted as the result of a DELETE BACKUPSET command, but the PREVIEW=YES parameter was specified.

System Action: None.

User Response: If the backup set is to be deleted, reissue the command without specifying PREVIEW=YES.

ANR2367I *Retention period for backupset backup set name for node node name has been updated.*

Explanation: The backup set's retention period has been updated.

System Action: The server has updated the backupset's retention period.

User Response: None.

ANR2368I *Retention period for backupset backup set name for node node name would have been updated.*

Explanation: The backup set's retention period would have been updated as the result of an UPDATE BACKUPSET command, but the PREVIEW=YES parameter was specified.

System Action: None.

User Response: If the backup set is to be updated, reissue the command without specifying PREVIEW=YES.

ANR2369I

Database backup volume and recovery plan file expiration starting under process *process ID*.

Explanation: The server has started expiration processing to remove expired database backup volumes and recovery plan files created on a remote server. This message is issued only if DRM is licensed on the server. The DB backup volumes expired is based on the value specified on the SET DRMDBBACKUPEXPIREDAYS. The recovery plan files expired is based on the value specified on the SET DRMRPFEXPIREDAYS. Server inventory expiration processing deletes the DB backup volumes and recovery plan files only if the volumes or plan files are created on the server to server virtual volumes.

System Action: Server operation continues. The expiration process is cancellable.

User Response: None.

ANR2370E

Command: Database backup trigger is already defined.

Explanation: The database backup trigger cannot be defined because it is already defined.

System Action: The server does not process the command.

User Response: Use the UPDATE DBBACKUPTRIGGER command to modify the database backup trigger parameters.

ANR2371E

Command: Database backup trigger is not defined.

Explanation: The database backup trigger cannot be updated or deleted because it is not currently defined.

System Action: The server does not process the command.

User Response: None.

ANR2372E

Command: Data Base Space trigger is already defined.

Explanation: The database space trigger cannot be defined because it is already defined.

System Action: The server does not process the command.

User Response: Use the UPDATE SPACETRIGGER command to modify the indicated space trigger parameters.

ANR2373E *Command: Database backup trigger is not defined.*

Explanation: The data base space trigger cannot be updated or deleted because it is not currently defined.

System Action: The server does not process the command.

User Response: None.

ANR2374E *Command: Recovery Log Space trigger is already defined.*

Explanation: The recovery log space trigger cannot be defined because it is already defined.

System Action: The server does not process the command.

User Response: Use the UPDATE SPACETRIGGER command to modify the indicated space trigger parameters.

ANR2375E *Command: Recovery Log trigger is not defined.*

Explanation: The recovery log space trigger cannot be updated or deleted because it is not currently defined.

System Action: The server does not process the command.

User Response: None.

ANR2376I **Recovery Log Space trigger defined, but is disabled.**

Explanation: A recovery log space trigger has been defined, but because the space expansion percentage is currently set to 0, the space trigger is disabled.

System Action: None.

User Response: To activate the space trigger, use the UPDATE SPACETRIGGER command to set the space expansion percentage to a value greater than 0.

ANR2377I **Recovery Log Space trigger updated and enabled.**

Explanation: An UPDATE SPACETRIGGER command has successfully completed for the recovery log space trigger. The updated parameters specified on the command are used to automatically trigger space expansion for the data base.

System Action: None.

User Response: None.

-
- ANR2378I** **Recovery Log Space trigger updated, but disabled.**
- Explanation:** An UPDATE SPACETRIGGER command has successfully completed for the recovery log space trigger. However, the space expansion percentage is currently set to 0, which disables the space trigger.
- System Action:** None.
- User Response:** To activate the space trigger, use the UPDATE SPACETRIGGER command with the SPACEexpansion parameter to set a value greater than zero.
-
- ANR2379I** **Recovery Log Space trigger deleted.**
- Explanation:** A DELETE SPACETRIGGER command has successfully completed for the recovery log space trigger. Space expansions are no longer triggered automatically for the recovery log.
- System Action:** None.
- User Response:** None.
-
- ANR2380E** *Command: Storage pool storage pool name is not defined.*
- Explanation:** The command indicated specifies the name of a nonexistent storage pool.
- System Action:** The server does not process the command.
- User Response:** Reissue the command with a valid storage pool name.
-
- ANR2381E** *Command: Storage pool storage pool name is already defined.*
- Explanation:** A DEFINE STGPOOL command specifies the name of a storage pool that already exists.
- System Action:** The server does not process the command.
- User Response:** None.
-
- ANR2382E** *Command: Storage pool storage pool name still contains at least one volume.*
- Explanation:** A DELETE STGPOOL command specifies a storage pool that has volumes assigned to it.
- System Action:** The server does not process the command.
- User Response:** Delete the volume belonging to the storage pool and reissue the command.
-

ANR2383E *Command: Storage pool storage pool name is currently in use by clients and/or data management operations.*

Explanation: The command indicated references a storage pool that is in use.

System Action: The server does not process the command.

User Response: Reissue the command at a later time.

ANR2384E *Command: Next or Reclaim storage pool storage pool name introduces a cycle into the storage pool chain.*

Explanation: A DEFINE STGPOOL or UPDATE STGPOOL command specifies a next storage pool that eventually points to the pool being processed.

System Action: The server does not process the command.

User Response: Reissue the command with a different next pool value.

ANR2385E *Command: Storage pool storage pool name is in use as the next or reclaim pool for one or more other storage pools.*

Explanation: A DELETE STGPOOL command specifies a pool that is the next pool or the reclaim pool for other storage pools.

System Action: The server does not process the command.

User Response: If necessary, update other storage pools so that they do not reference the pool to be deleted, and reissue the command.

ANR2386E *Command: High migration threshold must be set greater than or equal to the low migration threshold.*

Explanation: A DEFINE or UPDATE STGPOOL command has attempted to set the storage pool low migration threshold (LOWMIG) parameter greater than the high migration threshold (HIGHMIG).

System Action: The server does not process the command.

User Response: Reissue the command with a low migration threshold less than or equal to the high migration threshold.

ANR2387E *Command: Storage pool storage pool name is not a primary pool.*

Explanation: The command indicated specifies the name of a storage pool which is not a primary pool. The command syntax requires that a primary storage pool name be specified.

System Action: The server does not process the command.

User Response: Reissue the command with a valid primary storage pool name.

ANR2388E

Command: Storage pool *storage pool name* is not a copy pool.

Explanation: The command indicated specifies the name of a storage pool which is not a copy pool. The command syntax requires that a copy storage pool name be specified.

System Action: The server does not process the command.

User Response: Reissue the command with a valid copy storage pool name.

ANR2389E

Command: The "option" option is not valid for a primary storage pool.

Explanation: The command indicated specifies an option that is not valid for a primary storage pool.

System Action: The server does not process the command.

User Response: Reissue the command with options appropriate for a primary storage pool.

ANR2390E

Command: The "option" option is not valid for a copy storage pool.

Explanation: The command indicated specifies an option that is not valid for a copy storage pool.

System Action: The server does not process the command.

User Response: Reissue the command with options appropriate for a copy storage pool.

ANR2391E

Command: Server could not write device configuration information to *file name*.

Explanation: The BACKUP DEVCONFIG command does not successfully complete because the server cannot write to the file name specified.

System Action: The server does not process the command.

User Response: Make sure that the server has proper authority to write to the file indicated and that sufficient space is available in the file system for the file. On MVS, make sure that the data set has been allocated and that the server has authority to write to the data set.

ANR2392E

Command: An internal error was encountered in writing device configuration information to *file name*.

Explanation: The BACKUP DEVCONFIG command does not successfully complete because the server cannot write to the file name specified.

System Action: The server does not process the command.

User Response: Examine error messages on the server console that may have been displayed prior to this message and correct any problems, if possible. Make sure that the server has proper authority to write to the file indicated and that sufficient space is available in the file system for the file. On MVS, make sure that the data set has been allocated and that the server has authority to write to the data set.

ANR2393I

Command: Server device configuration information was written to file name.

Explanation: This message is displayed in response to the BACKUP DEVCONFIG command and indicates that device configuration information was successfully written to the file name indicated.

System Action: The server records device configuration information to the file name specified

User Response: None.

ANR2394I

Command: Server device configuration information was written to all device configuration files.

Explanation: This message is displayed in response to the BACKUP DEVCONFIG command and indicates that device configuration information was successfully written to all files that were specified in the server options file.

System Action: The server records device configuration information to the device configuration files.

User Response: None.

ANR2395I

Command: Device configuration files have NOT been defined for automatic recording - specify a file name for device configuration information.

Explanation: This message is displayed in response to the BACKUP DEVCONFIG command and indicates that device configuration information cannot be written because no files were specified in the options file.

System Action: The device configuration information is not written. Server operation continues.

User Response: Reissue the BACKUP DEVCONFIG command and specify the name of a file to which you would like to have device configuration information recorded. If desired, you may configure files that should be automatically updated with the DEVCONFIG option and restart the server.

ANR2396E

Command: An I/O error was encountered in writing device configuration information to one or more of the defined device configuration files.

Explanation: The BACKUP DEVCONFIG command does not complete successfully because the server cannot write to one or more of the defined device configuration files.

System Action: The server does not process the command.

User Response: Examine error messages on the server console that may have been displayed prior to this message and correct any problems, if possible. Make sure that the server has proper authority to write to the file indicated and that sufficient space is available in the file system for the file. On MVS, make sure that the data set has been allocated and that the server has authority to write to the data set.

ANR2397E

Command: An internal server error was encountered in writing device configuration information to one or more of the defined device configuration files.

Explanation: The BACKUP DEVCONFIG command does not complete successfully because the server cannot write to one or more of the defined device configuration files.

System Action: The server does not process the command.

User Response: Examine error messages on the server console that may have been displayed prior to this message and correct any problems, if possible. Contact your service representative if you are unable to resolve the problem.

ANR2398E

Command: The device configuration file contains a statement with invalid syntax.

Explanation: While processing the device configuration information, an invalid statement has been encountered.

System Action: The server ends the operation being performed.

User Response: Examine error messages on the server console that may have been displayed prior to this message and correct any problems if you have constructed the device configuration file manually. Make sure the statements are in the proper order. If you let the server construct the device configuration file automatically, restart the server, refresh the device configuration file by issuing the BACKUP DEVCONFIG command, and reissue the operation. If the problem persists, contact your service representative.

ANR2399E *Command: Storage pool storage pool name is not a sequential pool.*

Explanation: The command indicated specifies the name of a storage pool which is not a sequential pool. All storage pools are either fixed disk or sequential archival. All tape devices, as well as optical and file device classes, are sequential.

System Action: The server does not process the command.

User Response: Reissue the command with a valid sequential storage pool name.

ANR2400E *Command: Volume volume name is already defined in a storage pool or has been used previously to store export, database dump, or database backup information.*

Explanation: The command indicated specifies the name of a storage pool volume that already exists or has been used to store server export, database dump, or database backup information as recorded in the server volume history file.

System Action: The server does not process the command.

User Response: Specify a volume that is not in use, is not defined in a storage pool, and which has not been previously used for an export, a database dump, or database backup operation as recorded in the server volume history information. Use the QUERY VOLUME command to display the names of volumes that are defined to server storage pools. Use the QUERY VOLHISTORY command to display the names of volumes that have been used for export, a database dump, or database backup operations.

ANR2401E *Command: Volume volume name is not defined in a storage pool.*

Explanation: The command indicated specifies the name of a storage pool volume that does not exist.

System Action: The server does not process the command.

User Response: None.

ANR2402E *Command: Volume volume name is already online.*

Explanation: A VARY ONLINE command specifies the name of a volume that is already online.

System Action: The server does not process the command.

User Response: None.

ANR2403E	<p>Command: Volume <i>volume name</i> is not online.</p> <p>Explanation: The command indicated specifies the name of a volume that is not online.</p> <p>System Action: The server does not process the command.</p> <p>User Response: None.</p>
ANR2404E	<p>Command: Volume <i>volume name</i> is not available.</p> <p>Explanation: The command indicated has attempted to access a volume that cannot be found.</p> <p>System Action: The server does not process the command.</p> <p>User Response: Check the spelling of the volume name to ensure it is correct. If the volume does not exist, preallocate it with the appropriate mechanism for the operating system on which the server is running.</p>
ANR2405E	<p>Command: Volume <i>volume name</i> is currently in use by clients and/or data management operations.</p> <p>Explanation: The command indicated specifies the name of a data storage volume that is currently in use.</p> <p>System Action: The server does not process the command.</p> <p>User Response: None.</p>
ANR2406E	<p>Command: Volume <i>volume name</i> still contains data.</p> <p>Explanation: The indicated command tries to delete a data storage volume that contains data.</p> <p>System Action: The server does not process the command.</p> <p>User Response: None.</p>
ANR2407E	<p>Command: Maximum number of mirrored copies exceeded.</p> <p>Explanation: A DEFINE LOGCOPY or DEFINE DBCOPY command has attempted to add a mirror volume, but the maximum number of mirrors for the target volume already exists.</p> <p>System Action: The server does not process the command.</p> <p>User Response: None.</p>

ANR2408E *Command: Capacity of volume *volume name* must be at least as large as capacity of volume *volume name*.*

Explanation: A DEFINE LOGCOPY or DEFINE DBCOPY command has attempted to add a mirror volume, but the size of the volume to be added is less than the size of the target volume.

System Action: The server does not process the command.

User Response: Use a larger mirror volume.

ANR2409E *Command: Capacity of volume *volume name* must be at least 5 megabytes.*

Explanation: A define command for a database or log volume or copy has specified a volume that is too small to be used by the server for a database or log volume. The minimum size for one of these volumes is 5 megabytes.

System Action: The server does not process the command.

User Response: Reissue the command and specify a volume that is at least 5 megabytes in size.

ANR2410E *Command: Unable to access volume *volume name* - access mode is set to "unavailable".*

Explanation: The command shown specifies the volume whose name is displayed, but the volume cannot be accessed because its status is unavailable.

System Action: The server does not process the command.

User Response: If necessary, reset the status of the volume and reissue the command.

ANR2411E *Command: Unable to access associated volume *volume name* - access mode is set to "unavailable".*

Explanation: The command shown would require access to the volume whose name is displayed (because data from the volume specified in the command spans into this volume); the volume shown cannot be accessed because its status is unavailable.

System Action: The server does not process the command.

User Response: If necessary, reset the status of the volume and reissue the command.

-
- ANR2412E** *Command: Audit operation already in progress for volume volume name.*
- Explanation:** The command shown specifies the volume whose name is displayed, but that volume is currently in use by an audit volume operation.
- System Action:** The server does not process the command.
- User Response:** Reissue the command after the audit volume operation ends.
-
- ANR2413E** *Command: Audit operation already in progress for associated volume volume name.*
- Explanation:** The command shown would require access to the volume whose name is displayed (because data from the volume specified in the command spans into this volume); the volume shown cannot be accessed because it is in use by an audit volume operation.
- System Action:** The server does not process the command.
- User Response:** Reissue the command after the audit volume operation ends.
-
- ANR2414E** *Command: Deletion operation already in progress for volume volume name.*
- Explanation:** The command shown specifies the volume whose name is displayed, but that volume is currently in use by a delete volume operation.
- System Action:** The server does not process the command.
- User Response:** Reissue the command after the delete volume operation ends.
-
- ANR2415E** *Command: Deletion operation already in progress for associated volume volume name.*
- Explanation:** The command shown would require access to the volume whose name is displayed (because data from the volume specified in the command spans into this volume); the volume shown cannot be accessed because it is in use by a delete volume operation.
- System Action:** The server does not process the command.
- User Response:** Reissue the command after the delete volume operation ends.
-
- ANR2416E** *Command: Move Data operation already in progress for volume volume name.*
- Explanation:** The command shown specifies the volume whose name is displayed, but that volume is currently in use by a move data operation.
- System Action:** The server does not process the command.
- User Response:** Reissue the command after the move data process ends.
-

ANR2417E *Command: Move Data operation already in progress for associated volume volume name.*

Explanation: The command shown would require access to the volume whose name is displayed (because data from the volume specified in the command spans into this volume); the volume shown cannot be accessed because it is in use by a move data operation.

System Action: The server does not process the command.

User Response: Reissue the command after the move data operation ends.

ANR2418E *Command: Migration operation already in progress for volume volume name.*

Explanation: The command shown specifies the volume whose name is displayed, but that volume is currently in use by a migration operation.

System Action: The server does not process the command.

User Response: Reissue the command after the migration ends.

ANR2419E *Command: Migration operation already in progress for associated volume volume name.*

Explanation: The command shown would require access to the volume whose name is displayed (because data from the volume specified in the command spans into this volume); the volume shown cannot be accessed because it is in use by a migration operation.

System Action: The server does not process the command.

User Response: Reissue the command after the migration ends.

ANR2420E *Command: Space reclamation operation already in progress for volume volume name.*

Explanation: The command shown specifies the volume whose name is displayed, but that volume is currently in use by a reclamation operation.

System Action: The server does not process the command.

User Response: Reissue the command after the reclamation ends.

-
- ANR2421E** *Command: Space reclamation operation already in progress for associated volume *volume name*.*
- Explanation:** The command shown would require access to the volume whose name is displayed (because data from the volume specified in the command spans into this volume); the volume shown cannot be accessed because it is in use by a reclamation operation.
- System Action:** The server does not process the command.
- User Response:** Reissue the command after the reclamation ends.
-
- ANR2422E** *Command: Volume *volume name* is not a defined disk volume.*
- Explanation:** The command shown specifies a volume name that does not match any known disk volume.
- System Action:** The server does not process the command.
- User Response:** Reissue the command with the correct volume name.
-
- ANR2423E** *Command: Volume *volume name* is still online.*
- Explanation:** An UPDATE VOLUME command specifies access=unavailable for a disk volume that is still online.
- System Action:** The server does not process the command.
- User Response:** Issue the VARY OFFLINE command, and reissue the UPDATE VOLUME command.
-
- ANR2424E** *Command: Unable to access volume *volume name* - access mode is set to "destroyed".*
- Explanation:** The command shown specifies the volume whose name is displayed, but the volume cannot be accessed because its status is destroyed.
- System Action:** The server does not process the command.
- User Response:** If necessary, reset the status of the volume and reissue the command.
-
- ANR2425E** *Command: Unable to access volume *volume name* - access mode is set to "offsite".*
- Explanation:** The command shown specifies the volume whose name is displayed, but the volume cannot be accessed because its status is offsite.
- System Action:** The server does not process the command.
-

User Response: If necessary, reset the status of the volume and reissue the command.

ANR2426I

Backupset *backup set name* **defined for node** *node name*.

Explanation: The backup set has been defined for the indicated node.

System Action: The server has defined the backupset.

User Response: None.

ANR2427E

Backup set *backup set name* **was not deleted. Device class** *device class name* **was not found.**

Explanation: The specified backup set was not deleted because the device class used to generate it was not found.

System Action: The backup set is not deleted.

User Response: If the device class was inadvertently deleted, re-define it, then delete the backup set again.

ANR2429E

Command: Maximum database capacity exceeded.

Explanation: Do not allocate any volume that would cause the database to exceed 500GB. A subsequent DEFINE DBVOLUME command for that volume would fail.

System Action: The server does not process the command.

User Response: None.

ANR2430E

Command: Volume *volume name* **is already defined as a database volume.**

Explanation: A DEFINE DBVOLUME command specifies the name of a database volume that already exists.

System Action: The server does not process the command.

User Response: None.

ANR2431E

Command: Volume *volume name* **is not a defined database volume.**

Explanation: A DELETE DBVOLUME command specifies the name of a database volume that does not exist.

System Action: The server does not process the command.

User Response: None.

-
- ANR2432E** *Command: Maximum number of database volumes exceeded.*
- Explanation:** A DEFINE DBVOLUME command has attempted to add more database volumes than the server can manage.
- System Action:** The server does not process the command.
- User Response:** None.
-
- ANR2433E** *Command: A database define, delete, extend, reduce, or backup operation is already in progress.*
- Explanation:** The specified command has been entered while a command that is modifying or backing up the database is already active.
- System Action:** The server does not process the command.
- User Response:** Wait for other activity to end, and reissue the command.
-
- ANR2434E** *Command: Insufficient space on other database volumes to delete volume volume name.*
- Explanation:** A DELETE DBVOLUME command has been entered, but the data on the volume to be deleted cannot be copied to other volumes due to insufficient free space.
- System Action:** The server does not process the command.
- User Response:** Make more database space available, and reissue the command.
-
- ANR2435E** *Command: Unable to delete database volume volume name - mirrored copies not synchronized.*
- Explanation:** A DELETE DBVOLUME command has been entered, but mirrors of the volume to be deleted are not up to date.
- System Action:** The server does not process the command.
- User Response:** Try the command at a later time (after database volumes have been synchronized).
-
- ANR2436E** *Command: Insufficient space to extend database by requested amount.*
- Explanation:** An EXTEND DB command has been entered, but not enough allocated, unused space is available to the database to add the amount of space requested.
- System Action:** The server does not process the command.
- User Response:** Make more database space available, and reissue the command.
-

ANR2437E	<p><i>Command:</i> Output error encountered while attempting to extend database.</p> <p>Explanation: An EXTEND DB command has been entered, but an I/O error occurs during the command.</p> <p>System Action: The server does not process the command.</p> <p>User Response: Reissue the command. If the problem persists, identify and remove or repair the volume that caused the error.</p>
<hr/>	
ANR2438E	<p><i>Command:</i> Insufficient database space would be available following a reduction by the requested amount.</p> <p>Explanation: A REDUCE DB command has been entered, but the database does not have enough free space to reduce by the amount specified.</p> <p>System Action: The server does not process the command.</p> <p>User Response: None.</p>
<hr/>	
ANR2439E	<p><i>Command:</i> Unable to vary database volume <i>volume name</i> offline - mirrored copies not synchronized.</p> <p>Explanation: A VARY OFFLINE command has been entered, but mirrors of the volume to be varied are not up to date.</p> <p>System Action: The server does not process the command.</p> <p>User Response: Try the command at a later time (after database volumes have been synchronized).</p>
<hr/>	
ANR2440E	<p><i>Command:</i> Unable to vary database volume <i>volume name</i> offline - only copy.</p> <p>Explanation: A VARY OFFLINE command has been entered, but the database volume has no mirrors and therefore contains the only copy of the data on that volume.</p> <p>System Action: The server does not process the command.</p> <p>User Response: None.</p>
<hr/>	
ANR2441E	<p><i>Command:</i> Volume <i>volume name</i> is already defined as a recovery log volume.</p> <p>Explanation: A DEFINE LOGVOLUME command specifies the name of a recovery log volume that already exists.</p> <p>System Action: The server does not process the command.</p> <p>User Response: None.</p>

ANR2442E	<p>Command: <i>Volume volume name is not a defined recovery log volume.</i></p> <p>Explanation: A DELETE LOGVOLUME command specifies the name of a recovery log volume that does not exist.</p> <p>System Action: The server does not process the command.</p> <p>User Response: None.</p>
ANR2443E	<p>Command: <i>Maximum number of recovery log volumes exceeded.</i></p> <p>Explanation: A DEFINE LOGVOLUME command attempts to add more recovery log volumes than the server can manage.</p> <p>System Action: The server does not process the command.</p> <p>User Response: None.</p>
ANR2444E	<p>Command: <i>A recovery log define, delete, extend, or reduce operation is already in progress.</i></p> <p>Explanation: The specified command has been entered while a command that is modifying the recovery log is already active.</p> <p>System Action: The server does not process the command.</p> <p>User Response: Wait for other activity to end, and reissue the command.</p>
ANR2445E	<p>Command: <i>Insufficient space on other recovery log volumes to delete volume volume name.</i></p> <p>Explanation: A DELETE LOGVOLUME command has been entered, but the data on the volume to be deleted cannot be copied to other volumes due to insufficient free space.</p> <p>System Action: The server does not process the command.</p> <p>User Response: Make more recovery log space available, and reissue the command.</p>
ANR2446E	<p>Command: <i>Unable to delete recovery log volume volume name - mirrored copies not synchronized.</i></p> <p>Explanation: A DELETE LOGVOLUME command has been entered, but mirrors of the volume to be deleted are not up to date.</p> <p>System Action: The server does not process the command.</p> <p>User Response: Try the command at a later time (after recovery log volumes have been synchronized).</p>

ANR2447E *Command: Insufficient space to extend recovery log by requested amount.*

Explanation: An EXTEND LOG command has been entered, but there is not enough allocated, unused space available to the recovery log to add the amount of space requested.

System Action: The server does not process the command.

User Response: Make more recovery log space available, and reissue the command.

ANR2448E *Command: Output error encountered while attempting to extend recovery log.*

Explanation: An EXTEND LOG command has been entered, but an I/O error occurs during the command.

System Action: The server does not process the command.

User Response: Reissue the command. If the problem persists, identify and remove or repair the volume that caused the error.

ANR2449E *Command: Insufficient recovery log space would be available following a reduction by the requested amount.*

Explanation: A REDUCE LOG command has been entered, but the recovery log does not have enough free space to reduce by the amount specified.

System Action: The server does not process the command.

User Response: None.

ANR2450E *Command: Unable to vary recovery log volume *volume name* offline - mirrored copies not synchronized.*

Explanation: A DELETE LOGVOLUME command has been entered, but mirrors of the volume to be deleted are not up to date.

System Action: The server does not process the command.

User Response: Try the command at a later time (after recovery log volumes have been synchronized).

ANR2451E *Command: Unable to vary recovery log volume *volume name* offline - only copy.*

Explanation: A VARY OFFLINE command has been entered, but the recovery log volume has no mirrors and contains the only copy of the data on that volume.

System Action: The server does not process the command.

User Response: None.

ANR2452E *Command: Maximum recovery log capacity exceeded.*

Explanation: Do not allocate any volume that would cause the recovery log to exceed 5GB. A subsequent DEFINE LOGVOLUME command for that volume would fail.

System Action: The server does not process the command.

User Response: None.

ANR2453E *Command: Unable to reduce recovery log - log mode must be set to NORMAL.*

Explanation: A REDUCE LOG command has been entered, but the recovery log mode of the server is currently set to ROLLFORWARD. The recovery log can only be reduced when the log mode is set to NORMAL with a SET LOGMODE command.

System Action: The server does not process the command.

User Response: Set the log mode to NORMAL with the SET LOGMODE command, reissue the REDUCE LOG command, and set the log mode back to ROLLFORWARD with the SET LOGMODE command. If you change the log mode to NORMAL, you can only recover your database to the time of the last complete database backup.

ANR2454E *Command: Unable to reduce database - LOGMODE must be set to NORMAL.*

Explanation: A REDUCE DB command has been entered, but the recovery log mode of the server is currently set to ROLLFORWARD. The database can only be reduced when log mode is set to NORMAL with the SET LOGMODE command.

System Action: The server does not process the command.

User Response: Set the log mode to NORMAL with the SET LOGMODE command, reissue the REDUCE DB command, and reset the log mode to ROLLFORWARD with the SET LOGMODE command. If you change the log mode to NORMAL, you can only recover your database to the time of the last complete database backup.

ANR2455E *Command: Unable to access associated volume *volume name* - access mode is set to "destroyed".*

Explanation: The specified command would require access to the volume whose name is displayed (because data from the volume specified in the command spans into this volume); the volume shown cannot be accessed because its status is destroyed.

System Action: The server does not process the command.

User Response: If necessary, reset the status of the volume and reissue the command.

ANR2456E *Command: Unable to access associated volume *volume name* - access mode is set to "offsite".*

Explanation: The command shown would require access to the volume whose name is displayed (because data from the volume specified in the command spans into this volume); the volume shown cannot be accessed because its status is offsite.

System Action: The server does not process the command.

User Response: If necessary, reset the status of the volume and reissue the command.

ANR2457E *Command: Backup of primary storage pool *primary pool name* to copy storage pool *copy pool name* already in progress.*

Explanation: The command shown specifies a backup operation that is already in progress.

System Action: The server does not process the command.

User Response: Reissue the command after the current backup operation ends.

ANR2458E *Command: Restore of primary storage pool *primary pool name* (or volumes in that storage pool) already in progress.*

Explanation: The command shown cannot be processed because a restore operation involving the indicated storage pool is already in progress. Either a RESTORE STGPOOL command is in progress for the indicated storage pool or a RESTORE VOLUME command is in progress for volumes that belong to the indicated storage pool.

System Action: The server does not process the command.

User Response: Reissue the command after the current restore operation ends.

ANR2459E *Command: Volume *volume name* cannot be updated - a restore operation involving that volume is in progress.*

Explanation: The indicated volume has an access mode of destroyed. Either a RESTORE STGPOOL command or a RESTORE VOLUME command is in progress to restore the contents of the indicated volume.

System Action: The server does not process the command.

User Response: If necessary, cancel the restore processing and update the volume.

ANR2460E *Command: Server could not write sequential volume history information to File name.*

Explanation: The BACKUP VOLHISTORY command does not complete successfully because the server cannot write to the file name specified.

System Action: The server does not process the command.

User Response: Make sure that the server has proper authority to write to the file indicated and that sufficient space is available in the file system for the file. On MVS, make sure that the data set has been allocated and that the server has authority to write to the data set.

ANR2461E *Command: An internal error was encountered in writing sequential volume history information to file name.*

Explanation: The BACKUP VOLHISTORY command does not complete successfully because the server cannot write to the file name specified.

System Action: The server does not process the command.

User Response: Examine error messages on the server console that may have been displayed prior to this message and correct any problems, if possible. Make sure that the server has proper authority to write to the file indicated and that sufficient space is available in the file system for the file. On MVS, make sure that the data set has been allocated and that the server has authority to write to the data set.

ANR2462I *Command: Server sequential volume history information was written to file name.*

Explanation: This message is displayed in response to the BACKUP VOLHISTORY command and indicates that sequential volume history information was successfully written to the file name indicated.

System Action: The server records sequential volume history information to the file name specified.

User Response: None.

ANR2463I *Command: Server sequential volume history information was written to all configured history files.*

Explanation: This message is displayed in response to the BACKUP VOLHISTORY command and indicates that sequential volume history information was successfully written to all files that were specified in the server options file.

System Action: The server records sequential volume history information to the configured files.

User Response: None.

ANR2464I

Command: Volume history files have NOT been defined for automatic history recording - specify a file name for recording history information.

Explanation: This message is displayed in response to the BACKUP VOLHISTORY. It indicates that sequential volume history information cannot automatically be written because no files were defined in the server options file for recording this information.

System Action: The sequential volume history information is not written. Server operation continues.

User Response: Reissue the BACKUP VOLHISTORY command and specify the name of a file for recording sequential volume history information. If desired, you may configure files that should be automatically updated with the VOLUMEHISTORY parameter and restart the server.

ANR2465E

Command: An I/O error was encountered in writing sequential volume history information to one or more of the defined volume history files.

Explanation: The BACKUP VOLHISTORY command does not complete successfully because the server cannot write to one or more of the defined volume history files.

System Action: The server does not process the command.

User Response: Examine error messages on the server console that may have been displayed prior to this message and correct any problems, if possible. Make sure that the server has proper authority to write to the file indicated and that sufficient space is available in the file system for the file. On MVS, make sure that the data set has been allocated and that the server has authority to write to the data set.

ANR2466E

Command: An internal server error was encountered in writing sequential volume history information to one or more of the defined volume history files.

Explanation: The BACKUP VOLHISTORY command does not complete successfully because the server cannot write to one or more of the defined volume history files.

System Action: The server does not process the command.

User Response: Examine error messages on the server console that may have been displayed prior to this message and correct any problems, if possible. Contact your service representative if you are unable to resolve the problem.

-
- ANR2467I** *Command: number of entries deleted* **sequential volume history entries were successfully deleted.**
- Explanation:** The DELETE VOLHISTORY command successfully deleted the number of entries specified.
- System Action:** Server operation continues.
- User Response:** None.
-
- ANR2468E** *Command: An internal server error was encountered while deleting server sequential volume history information.*
- Explanation:** The DELETE VOLHISTORY command fails because an internal server error has been encountered.
- System Action:** The DELETE VOLHISTORY command fails, and server operation continues.
- User Response:** Examine the messages in the activity log or server console that were displayed prior to the error to see if the error can be resolved. Contact your service representative if this error cannot be resolved.
-
- ANR2469E** *Command: Invalid volume history type: history type.*
- Explanation:** The command failed because an invalid sequential volume history type was specified for the TYPE= parameter.
- System Action:** The command fails, and server operation continues.
- User Response:** Refer to the *Administrator's Reference* for an explanation of the valid types for this command. Reissue the command and specify a valid type value.
-
- ANR2470I** **Message output being re-directed to file *file name*.**
- Explanation:** The message output is being redirected to the specified file instead of being displayed at the console.
- System Action:** None.
- User Response:** None.
-
- ANR2471E** **Message output re-direction to file *file name* failed - unable to open file.**
- Explanation:** An error occurs while trying to open the file. The message output will not be redirected to the specified file.
- System Action:** None.
-

User Response: Determine the cause of the file open failure and take corrective action.

ANR2472E

Command: **Invalid volume specified:** *volume name*.

Explanation: The command failed because the sequential history volume specified is not a DB DUMP, DB BACKUP, or EXPORT volume.

System Action: The command fails, and server operation continues.

User Response: Reissue the command and specify a valid volume name.

ANR2473I

Command for volume *volume name* **completed.**

Explanation: The command completed and the volume history file has been updated.

System Action: The server records sequential volume history information.

User Response: None.

ANR2474E

Command: **Input volume names must be specified with the VOLUmenames= parameter.**

Explanation: The command failed because input volume names were not specified with the VOLUmenames parameter.

System Action: The command fails.

User Response: On some platforms, or with certain device classes, the server cannot prompt to mount input removable media volumes, so the names of the required volumes must be specified in the command. Reissue the command specifying the name(s) of volumes that should be mounted for input.

ANR2475E

Command: **File** *file name* **could not be opened.**

Explanation: The DSMSERV command could not be completed successfully because the file specified (to contain the list of volumes to be used) cannot be opened.

System Action: The DSMSERV command fails.

User Response: Examine the file name that was specified in the DSMSERV command. Correct the specification, if necessary, so that it specifies the name of a file that exists and is accessible by the server program. Reissue the DSMSERV command if this can be corrected. Contact your service representative if this error cannot be resolved.

-
- ANR2476I** **License storage auditing is disabled, no output available.**
Explanation: The license storage occupancy function is currently disabled.
System Action: None.
User Response: To obtain storage occupancy results, remove the NOAUDITSTORAGE or AUDITSTORAGE NO option from the server options file, then restart the server and issue the AUDIT LICENSES command.
-
- ANR2477I** **License storage auditing is disabled, storage values may be outdated and should be ignored.**
Explanation: The license storage occupancy function is currently disabled.
System Action: None.
User Response: To obtain storage occupancy results, remove the NOAUDITSTORAGE or AUDITSTORAGE NO option from the server options file, then restart the server and issue the AUDIT LICENSES command.
-
- ANR2478E** *Command: Command cannot be executed in this session.*
Explanation: The command indicated is not supported by the session in which it was invoked. For example, a DEFINE CURSOR command can not be invoked from the server's primary console.
System Action: The server does not process the command.
User Response: The command must be issued from a standard administrator session.
-
- ANR2479E** *Command: Invalid SQL cursor name - SQL cursor name.*
Explanation: The command indicated contains an invalid SQL cursor name.
System Action: The server does not process the command.
User Response: Reissue the command with a valid SQL cursor name.
-
- ANR2480E** *Command: SQL cursor name SQL cursor name is already defined.*
Explanation: The command indicated specifies an SQL cursor name that has already been defined.
System Action: The server does not process the command.
User Response: Reissue the command and specify a different cursor name.
-

ANR2481E	<p><i>Command: SQL cursor SQL cursor name is not defined.</i></p> <p>Explanation: The command indicated specifies an SQL cursor name that has not been defined.</p> <p>System Action: The server does not process the command.</p> <p>User Response: Use the DEFINE CURSOR command to first define the cursor.</p>
-----------------	--

ANR2482E	<p><i>Command: SQL cursor SQL cursor name is already open.</i></p> <p>Explanation: The command indicated failed because an SQL cursor is already open.</p> <p>System Action: The server does not process the command.</p> <p>User Response: Use the CLOSE CURSOR command to first close the current cursor.</p>
-----------------	---

ANR2483E	<p><i>Command: No SQL cursor is currently open.</i></p> <p>Explanation: The command indicated failed because no SQL cursor is currently open.</p> <p>System Action: The server does not process the command.</p> <p>User Response: Use the OPEN CURSOR command to first open a cursor.</p>
-----------------	---

ANR2484E	<p><i>Command: Invalid SQL date-time display format - SQL date-time display format name.</i></p> <p>Explanation: The command indicated contains an invalid SQL date-time display format name.</p> <p>System Action: The server does not process the command.</p> <p>User Response: Reissue the command with a valid SQL date-time format name.</p>
-----------------	---

ANR2485E	<p><i>Command: Invalid SQL display format - SQL display format name.</i></p> <p>Explanation: The command indicated contains an invalid SQL display format name.</p> <p>System Action: The server does not process the command.</p> <p>User Response: Reissue the command with a valid SQL display format name.</p>
-----------------	---

ANR2486E *Command: Invalid SQL character arithmetic mode - SQL arithmetic mode.*

Explanation: The command indicated contains an invalid SQL arithmetic mode name.

System Action: The server does not process the command.

User Response: Reissue the command with a valid SQL arithmetic mode name.

ANR2487E *Command: An SQL expression is required.*

Explanation: The command indicated requires that an SQL expression be provided through the SQL keyword parameter.

System Action: The server does not process the command.

User Response: Reissue the command specifying an SQL expression.

ANR2488W **Volume list file *volume list file name* could not be opened.**

Explanation: While attempting to read or write a sequential file for volume list information, the server cannot open the file name specified.

System Action: The server does not use the volume list file.

User Response: Examine error messages that may have been displayed prior to this message and correct any problems, if possible. For OUTFILE files, make sure that the server has proper authority to write to the file indicated and that there is sufficient space in the file system for the file. On MVS, make sure that the server has authority to write to the data set.

ANR2489W **An error was encountered writing to volume list file *volume list file name*.**

Explanation: While attempting to write to the sequential file for a volume list an error occurs on the file name specified. The volume list is not be complete and should not be used for input.

System Action: The server stops writing to the file.

User Response: Examine error messages that may have been displayed prior to this message and correct any problems, if possible. Make sure that the server has proper authority to write to the file indicated and that there is sufficient space in the file system for the file. On MVS, make sure that the server has authority to write to the data set. Obtain the volume list from console messages, the QUERY VOLHISTORY command or the volume history file, if it is used.

ANR2490E *Command: NODENAMES and SERVERNAMES parameters cannot both be specified in the same command.*

Explanation: The command indicated failed because both the nodenames parameter and the servernames parameter were specified.

System Action: None.

User Response: Determine whether you want the action taken for one or more nodes or for one or more servers and re-enter the command with only the correct parameter specified.

ANR2491I **Volume Creation Process starting for** *volume name*, **Process Id** *process ID*.

Explanation: As a result of a DEFINE VOLUME, DEFINE DBVOLUME, or DEFINE LOGVOLUME command with the SIZE=xxx parameter, a new volume is being created. The process whose ID is displayed has begun to create the volume shown.

System Action: The server creates the volume and adds it to the server.

User Response: None.

ANR2500I **Schedule** *schedule name* **defined in policy domain** *domain name*.

Explanation: This message is displayed in response to the DEFINE SCHEDULE command. The schedule named *schedule name* has been defined in the policy domain named *domain name* in the server database.

System Action: Server operation continues.

User Response: None.

ANR2501I **Schedule** *schedule name* **deleted from policy domain** *domain name*.

Explanation: This message is displayed in response to the DELETE SCHEDULE command. The schedule named *schedule name* has been deleted from the policy domain named *domain name* in the server database.

System Action: Server operation continues.

User Response: None.

ANR2502I **Schedule** *schedule name* **updated in policy domain** *domain name*.

Explanation: This message is displayed in response to the UPDATE SCHEDULE command. The schedule named *schedule name* has been updated in the policy domain named *domain name* in the server database.

System Action: Server operation continues.

User Response: None.

ANR2503I **Schedule** *schedule name* **in domain** *domain name* **copied to schedule** *new schedule name* **in domain** *new domain name*.

Explanation: This message is displayed in response to the COPY SCHEDULE command. The schedule named *schedule name* in policy domain *domain name* has been copied to the schedule named *new schedule name* in the policy domain named *new domain name*. Node associations have not been copied.

System Action: Server operation continues.

User Response: None.

ANR2504I **Schedule** *schedule name* **deleted.**

Explanation: This message is displayed in response to the DELETE SCHEDULE command. The schedule named *schedule name* has been deleted from the server database.

System Action: Server operation continues.

User Response: None.

ANR2505I *number of schedules* **schedules were defined for** *command*.

Explanation: *number of schedules* were generated and nodes successfully associated for the *command* issued.

System Action: Server operation continues.

User Response: If the number is less than expected, check the *nodeList* and *domainList* combination specified to the DEFINE CLIENTACTION command. Schedules are generated when at least one node in the *nodeList* exists in a domain in the *domainList*.

ANR2506I **Node** *node name* **associated with schedule** *schedule name* **in policy domain** *domain name* **processed. rc=return code.**

Explanation: This message is displayed in response to the DEFINE CLIENTACTION WAIT=YES command. Node *node name* is associated with the schedule named *schedule name* in policy domain *domain name* has been processed. The result is indicated in the return code *return code*.

System Action: Server operation continues.

User Response: If the return code is non-zero, issue the QUERY ACTLOG command to view the activity log and search for the error messages. After the error has been resolved, restart the scheduled operations.

ANR2510I **Node *node name* associated with schedule *schedule name* in policy domain *domain name*.**

Explanation: This message is displayed in response to the DEFINE ASSOCIATION command. Node *node name* is associated with the schedule named *schedule name* in policy domain *domain name*. Schedule *schedule name* is now applied to node *node name*.

System Action: Server operation continues.

User Response: None.

ANR2511I **Node *node name* disassociated from schedule *schedule name* in policy domain *domain name*.**

Explanation: This message is displayed in response to the DELETE ASSOCIATION command. Node *node name* is no longer associated with the schedule named *schedule name* in policy domain *domain name*.

System Action: Server operation continues.

User Response: None.

ANR2512I **Event records deleted: *record count*.**

Explanation: This message is displayed in response to the DELETE EVENT command. A total of *record count* event records have been deleted from the database.

System Action: Server operation continues.

User Response: None.

ANR2513I **Schedule *schedule name* copied to schedule *new schedule name*.**

Explanation: This message is displayed in response to the COPY SCHEDULE command. The schedule named *schedule name* has been copied to the schedule named *new schedule name*.

System Action: Server operation continues.

User Response: None.

ANR2520I **Scheduled sessions set to *percent percent*.**

Explanation: This message is displayed in response to the SET MAXSCHEDSESSIONS command. It indicates the percentage of total server sessions that can be used for the processing of scheduled work.

System Action: Server operation continues.

User Response: None.

ANR2521I **Event record retention period set to *days* days.**

Explanation: This message is displayed in response to the SET EVENTRETENTION command. It indicates the number of days for which event records are retained in the database.

System Action: Server operation continues.

User Response: None.

ANR2522I **Randomization set to *percent* percent.**

Explanation: This message is displayed in response to the SET RANDOMIZE command. It indicates the percentage of the startup window over which the start times for individual clients are distributed.

System Action: Server operation continues.

User Response: None.

ANR2523I **Schedule query period set to *hours* hour(s).**

Explanation: This message is displayed in response to the SET QUERYSCHEDPERIOD command. It indicates the number of hours between attempts by the client to contact the server for scheduled commands.

System Action: Server operation continues.

User Response: None.

ANR2524I **Schedule query period reset to value determined by each client.**

Explanation: This message is displayed in response to the SET QUERYSCHEDPERIOD command.

System Action: Server operation continues.

User Response: None.

ANR2525I **Maximum number of command retries set to *retries*.**

Explanation: This message is displayed in response to the SET MAXCMDRETRIES command. It indicates the maximum number of times the client scheduler retries a command after a failed attempt to process a scheduled command.

System Action: Server operation continues.

User Response: None.

ANR2526I **Maximum number of command retries reset to value determined by each client.**

Explanation: This message is displayed in response to the SET MAXCMDRETRIES command.

System Action: Server operation continues.

User Response: None.

ANR2527I **Retry period set to *minutes* minutes.**

Explanation: This message is displayed in response to the SET RETRYPERIOD command. It indicates the number of minutes between attempts by the client scheduler to retry, after a failed attempt, to contact the server or to process a scheduled command.

System Action: Server operation continues.

User Response: None.

ANR2528I **Retry period reset to value determined by each client.**

Explanation: This message is displayed in response to the SET RETRYPERIOD command.

System Action: Server operation continues.

User Response: None.

ANR2529I **Scheduling mode set to POLLING.**

Explanation: This message is displayed in response to the SET SCHEDMODES command. With client-polling scheduling, a client queries the server at prescribed time intervals to obtain scheduled work or to ensure that the schedules the client is waiting to process have not changed.

System Action: Server operation continues.

User Response: None.

ANR2530I **Scheduling mode set to PROMPTED.**

Explanation: This message is displayed in response to the SET SCHEDMODES command. With server-prompted scheduling, the server contacts the client when scheduled work needs to be performed and a session is available.

System Action: Server operation continues.

User Response: None.

ANR2531I **Scheduling mode set to ANY.**

Explanation: This message is displayed in response to the SET SCHEDMODES command. The server now allows clients to run in either the client-polling or the server-prompted scheduling mode.

System Action: Server operation continues.

User Response: None.

ANR2532I **Schedule *schedule name* updated.**

Explanation: This message is displayed in response to the UPDATE SCHEDULE command. The schedule named *schedule name* has been updated in the server database.

System Action: Server operation continues.

User Response: None.

ANR2533I **Client action schedule duration set to *days* days.**

Explanation: This message is displayed in response to the Set CLIENTACTDuration command. It indicates the number of days for which schedules and associations generated by the DEFINE CLIENTAction are retained in the database.

System Action: Server operation continues.

User Response: None.

ANR2534I **Client action schedule *schedule name* was not executed by node *node name* in domain *name*.**

Explanation: Immediate client action *schedule name* was not executed by node *node name*, which is in domain *domain name*. The schedule is being deleted.

System Action: Server operation continues.

User Response: None.

ANR2550W *command name: Administrative schedule schedule name does not have valid activation information.*

Explanation: This message is displayed during a database audit and indicates that the 'ACTIVE=YES or NO' information is not recorded correctly for an administrative schedule in the server database.

System Action: Server database audit operation continues.

User Response: Execute the AUDITDB operation specifying FIX=YES so that the activation information can be corrected.

ANR2551I *command name: Administrative schedule schedule name does not have valid activation information - activation information will be deleted.*

Explanation: This message is displayed during a database audit and indicates that the 'ACTIVE=YES or NO' information is not recorded correctly for an administrative schedule in the server database. The audit operation corrects this discrepancy by removing the invalid activation information.

System Action: Server database audit operation continues.

User Response: The named administrative schedule will now appear to be inactive in the server database (as if ACTIVE=NO was specified). If you want this schedule to be active, execute the UPDATE SCHEDULE command with the ACTIVE=YES parameter to activate the schedule when the server is restarted.

ANR2560I **Schedule manager started.**

Explanation: The schedule manager is started when the server is initialized. The schedule manager maintains entries of scheduled operations.

System Action: Server operation continues.

User Response: None.

ANR2561I **Schedule prompter contacting *node name (session session number)* to start a scheduled operation.**

Explanation: The schedule prompter contacts the client scheduler for node *node name* because a scheduled operation should be started for that node.

System Action: Server operation continues.

User Response: None.

-
- ANR2562I** **Automatic event record deletion started.**
- Explanation:** A process has been started to delete event records for which the retention period has elapsed.
- System Action:** Server operation continues.
- User Response:** None.
-
- ANR2563I** **Removing event records dated prior to *date time*.**
- Explanation:** Events that were scheduled to start prior to *date time* are automatically deleted unless their startup window has not yet elapsed.
- System Action:** Server operation continues.
- User Response:** None.
-
- ANR2564I** **Automatic event record deletion ended - *record count* records deleted.**
- Explanation:** The event deletion process has ended. A total of *record count* event records have been deleted from the database.
- System Action:** Server operation continues.
- User Response:** None.
-
- ANR2565I** ***schedules* schedules for immediate client actions have been deleted.**
- Explanation:** A total of *schedules* that were generated by the DEFINE CLIENTACTION command have expired and been deleted from the database.
- System Action:** Server operation continues.
- User Response:** None.
-
- ANR2566E** **An error occurred while deleting immediate client action schedules.**
- Explanation:** Processing did not complete for deleting schedules that were generated by the DEFINE CLIENTACTION command.
- System Action:** Server operation continues.
- User Response:** Check the activity log for other messages that might relate to this failure. Correct any memory or space problems.
-
- ANR2570W** **A scheduled session has been denied. The schedule manager is not active.**
- Explanation:** The client scheduler attempts to connect with the server, but it is denied a session because the schedule manager is not active.
-

System Action: Server operation continues, but central scheduling is not operational.

User Response: Issue the QUERY OPTION command to determine if the option DISABLESCHEDULES YES has been specified in the server options file. If so, scheduling can be enabled by updating the server options file with DISABLESCHEDULES NO and restarting the server. If DISABLESCHEDULES YES was not specified in the server options file, determine the source of the error by examining the QUERY ACTLOG command to view the activity log and search for messages. After the error has been resolved, restart the server to restore central scheduler operations. If the error cannot be isolated and resolved, contact your service representative.

ANR2571W **Scheduled session from node *node name* (platform name) has been denied, scheduled sessions are not currently available.**

Explanation: The client scheduler for node *node name* attempts to connect with the server, but is denied a session. All sessions that have been allocated for scheduled operations are already in use.

System Action: Server operation continues.

User Response: Issue the QUERY OPTION command to determine if the option DISABLESCHEDULES YES has been specified in the server options file. If so, scheduling can be enabled by updating the server options file with DISABLESCHEDULES NO and restarting the server. If DISABLESCHEDULES YES was not specified in the server options file, change the total number of sessions by altering the MAXSESSIONS parameter in the server options file and then restarting the server. The percentage of sessions that are available for scheduled operations can be increased by using the SET MAXSCHEDULESESSIONS command.

ANR2572W **Schedule prompter session to node *node name* has been denied, scheduled sessions are not currently available.**

Explanation: The server attempts to prompt the client scheduler for node *node name*, but all sessions that have been allocated for scheduled operations are already in use.

System Action: The server continues to attempt contact with the client scheduler until the startup window for the scheduled event has elapsed.

User Response: To change the total number of sessions, alter the MAXSESSIONS parameter in the server options file and then restart the server. The percentage of sessions that are available for scheduled operations can be increased by using the SET MAXSCHEDULESESSIONS command.

-
- ANR2573W** **Sufficient memory is not available for the central scheduler - will retry in number of seconds seconds.**
- Explanation:** The server suspends central scheduler processing because sufficient server memory is not available.
- System Action:** Server operation continues; the scheduler operation will be retried after the specified delay.
- User Response:** Allocate additional storage to the server. For details, issue HELP MEMORY to display the information online or see “Appendix A. Allocating Additional Server Memory”.
-
- ANR2574W** **Insufficient recovery log space available for the central scheduler - will retry in number of seconds seconds.**
- Explanation:** The server suspends central scheduler processing because sufficient recovery log space is not available.
- System Action:** Server operation continues; the scheduler operation will be retried after the specified delay.
- User Response:** To increase the amount of log space available to the server, an authorized administrator can add log volumes by using the DEFINE LOGVOLUME command, and can extend the size of the log by using the EXTEND LOG command.
-
- ANR2575W** **Insufficient database space available for the central scheduler - will retry in number of seconds seconds.**
- Explanation:** The server suspends central scheduler processing because sufficient database space is not available.
- System Action:** Server operation continues; the scheduler operation will be retried after the specified delay.
- User Response:** To increase the amount of database space available to the server, an authorized administrator can add database volumes by using the DEFINE DBVOLUME command, and can extend the size of the log by using the EXTEND DB command.
-
- ANR2576W** **An attempt was made to update an event record for a scheduled operation which has already been executed - multiple client schedulers may be active for node node name.**
- Explanation:** The server has attempted to update an event record for a scheduled operation for the specified client node. However, the existing event record shows
-

that this scheduled operation has already been executed, either successfully or unsuccessfully. Two or more client schedulers may be running for this node.

System Action: Server operation continues. The existing event record is not modified. No further processing is performed for this scheduled operation.

User Response: Contact the user for this client node, and make sure that only one client scheduler is running.

ANR2577I **Schedule *schedule name* defined.**

Explanation: This message is displayed in response to the DEFINE SCHEDULE command. The schedule named *schedule name* in the server database.

System Action: Server operation continues.

User Response: None.

ANR2578I **Schedule *schedule name* in domain *domain name* for node *node name* has missed its scheduled start up window.**

Explanation: This message is displayed when the scheduled startup window for this schedule has passed and the schedule has not begun.

System Action: Server operation continues. The scheduled operation is not processed by the server.

User Response: Ensure that a scheduled session for node *node name* has been initiated from the client to the server. Refer to *Administrator's Guide* and *Administrator's Reference* for more information on setting up scheduling operations.

ANR2579E **Schedule *schedule name* in domain *domain name* for node *node name* failed (return code *return code*).**

Explanation: This message is displayed when a client reports failure in executing a scheduled action. The return code reported by the client is displayed.

System Action: Server operation continues.

User Response: Examine the node's schedule log to determine the cause for the failure.

ANR2580E **Schedule *schedule name* in domain *domain name* for node *node name* failed.**

Explanation: This message is displayed when the server finds that a scheduled start window has elapsed for a client schedule and the client is not currently running the schedule.

System Action: Server operation continues.

User Response: Examine the node's schedule log to determine the cause for the failure. Ensure that the client scheduler is started.

ANR2600E

Command: **Invalid schedule name** - *schedule name*.

Explanation: The specified command has been issued with an invalid schedule name.

System Action: Server operation continues, but the command is not processed.

User Response: Issue the command with a valid schedule name.

ANR2601E

Command: **Schedule description exceeds maximum length characters.**

Explanation: The specified command has been issued with a description that exceeds the maximum length.

System Action: Server operation continues, but the command is not processed.

User Response: Issue the command and specify a valid description.

ANR2602E

Command: **Invalid action** - *action*.

Explanation: The specified command has been issued with an invalid action.

System Action: Server operation continues, but the command is not processed.

User Response: Issue the command and specify a valid action.

ANR2603E

Command: **Options string exceeds maximum length characters.**

Explanation: The specified command has been issued with an options string that exceeds the maximum length.

System Action: Server operation continues, but the command is not processed.

User Response: Issue the command with a valid options string.

ANR2604E

Command: **Objects string exceeds maximum length characters.**

Explanation: The specified command has been issued with an objects string that exceeds the maximum length.

System Action: Server operation continues, but the command is not processed.

User Response: Issue the command with a valid objects string.

ANR2605E	<i>Command: Invalid priority - priority.</i> Explanation: The specified command has been issued with an invalid priority. System Action: Server operation continues, but the command is not processed. User Response: Issue the command and specify a valid priority.
ANR2606E	<i>Command: Invalid start date - date.</i> Explanation: The specified command has been issued with an invalid start date. System Action: Server operation continues, but the command is not processed. User Response: Issue the command and specify a valid start date.
ANR2607E	<i>Command: Invalid start time - time.</i> Explanation: The specified command has been issued with an invalid start time. System Action: Server operation continues, but the command is not processed. User Response: Issue the command and specify a valid start time.
ANR2608E	<i>Command: Invalid duration - duration.</i> Explanation: The specified command has been issued with an invalid duration. System Action: Server operation continues, but the command is not processed. User Response: Issue the command and specify a valid duration.
ANR2609E	<i>Command: Invalid duration units - duration units.</i> Explanation: The specified command has been issued with an invalid value for duration units. System Action: Server operation continues, but the command is not processed. User Response: Issue the command and specify a valid value for duration units.
ANR2610E	<i>Command: Invalid period - period.</i> Explanation: The specified command has been issued with an invalid period. System Action: Server operation continues, but the command is not processed. User Response: Issue the command and specify a valid period.

-
- ANR2611E** *Command: Invalid period units - period units.*
- Explanation:** The specified command has been issued with an invalid value for period units.
- System Action:** Server operation continues, but the command is not processed.
- User Response:** Issue the command and specify a valid value for period units.
-
- ANR2612E** *Command: Invalid day of week - day of week.*
- Explanation:** The specified command has been issued with an invalid value for day of the week.
- System Action:** Server operation continues, but the command is not processed.
- User Response:** Issue the command and specify a valid value for day of the week.
-
- ANR2613E** *Command: Invalid expiration - date.*
- Explanation:** The specified command has been issued with an invalid expiration date.
- System Action:** Server operation continues, but the command is not processed.
- User Response:** Issue the command and specify a valid expiration date.
-
- ANR2614E** *Command: Invalid combination of the following parameters: duration, duration units, period, period units.*
- Explanation:** The specified command has been issued with an invalid combination of the DURATION, DURUNITS, PERIOD, and PERUNITS parameters. This message may be displayed if the duration of the startup window for the schedule is not shorter than the period between windows. This message may also be displayed if DURUNITS=INDefinite is specified, but PERUNITS=Onetime is not specified.
- System Action:** Server operation continues, but the command is not processed.
- User Response:** Issue the command and specify a valid combination of parameters.
-
- ANR2615E** *Command: Expiration date date has elapsed.*
- Explanation:** The specified command has been issued with an elapsed expiration date *date*.
- System Action:** Server operation continues, but the command is not processed.
- User Response:** Issue the command and specify an expiration date that has not already elapsed.
-

ANR2616E *Command: Start date *start date* must be earlier than expiration date *expiration*.*

Explanation: The specified command has been issued with a start date that is not earlier than the expiration date.

System Action: Server operation continues, but the command is not processed.

User Response: Issue the command using a schedule start date that is earlier than the expiration date.

ANR2617E *Command: Schedule *schedule name* is not defined in policy domain *domain name*.*

Explanation: The specified command has been issued with a schedule name that has not been defined in the indicated policy domain.

System Action: Server operation continues, but the command is not processed.

User Response: Issue the command using a schedule that has already been defined for this domain.

ANR2618E *Command: Schedule *schedule name* is already defined in policy domain *domain name*.*

Explanation: The specified command has been issued with a schedule name that has already been defined for the indicated policy domain.

System Action: Server operation continues, but the command is not processed.

User Response: Issue the command using a schedule that has not already been defined for this domain.

ANR2619E *Command: Currently defined period *period* is invalid with updated period units.*

Explanation: The specified command has been issued with a value for period units that is not allowed with the existing period.

System Action: Server operation continues, but the command is not processed.

User Response: Issue the command and specify a new period.

ANR2620E *Command: Currently defined duration *duration* is invalid with updated duration units.*

Explanation: The specified command has been issued with a value for duration units that is not allowed with the existing duration.

System Action: Server operation continues, but the command is not processed.

User Response: Issue the command and specify a new duration.

ANR2621E	Command: No matching schedules. Explanation: The specified command has been issued but no matching schedules have been found. System Action: Server operation continues, but the command is not processed. User Response: Issue the command and specify different schedules.
ANR2622E	Command: No new node associations added. Explanation: The specified command has been issued but no new node associations are defined. System Action: Server operation continues, but the command has no effect. User Response: Issue the command and specify different nodes.
ANR2623E	Command: No node associations deleted. Explanation: The specified command has been issued but no node associations are deleted. System Action: Server operation continues, but the command has no effect. User Response: Issue the command and specify different nodes.
ANR2624E	Command: No matching nodes registered. Explanation: No matching nodes are found for the specified command. System Action: Server operation continues, but the command is not processed. User Response: Issue the command and specify different nodes.
ANR2625E	Command: No matching nodes registered in policy domain <i>domain name</i> . Explanation: The specified command has been issued, but no matching nodes are registered in the indicated policy domain. System Action: Server operation continues, but the command is not processed. User Response: Issue the command and specify different nodes.
ANR2626E	Command: Invalid value for replace - <i>replace</i> . Explanation: The specified command has been issued with an invalid value for replace. System Action: Server operation continues, but the command is not processed.

User Response: Issue the command using a valid value for replace.

ANR2627E

Command: Invalid value for format - format.

Explanation: The specified command has been issued with an invalid value for format.

System Action: Server operation continues, but the command is not processed.

User Response: Issue the command using a valid value for format.

ANR2628E

Command: Invalid date - date.

Explanation: The specified command has been issued with an invalid date.

System Action: Server operation continues, but the command is not processed.

User Response: Issue the command with a valid date.

ANR2629E

Command: Invalid time - time.

Explanation: The specified command has been issued with an invalid time.

System Action: Server operation continues, but the command is not processed.

User Response: Issue the command with a valid time.

ANR2630E

Command: Event deletion is already in process.

Explanation: The specified command has been issued while event deletion is already in progress.

System Action: Server operation continues, but the command is not processed.

User Response: Wait for event deletion to complete before issuing the command.

ANR2631E

Command: Invalid begin date - date.

Explanation: The specified command has been issued with an invalid begin date.

System Action: Server operation continues, but the command is not processed.

User Response: Issue the command with a valid begin date.

ANR2632E

Command: Invalid begin time - date.

Explanation: The specified command has been issued with an invalid begin time.

System Action: Server operation continues, but the command is not processed.

User Response: Issue the command with a valid begin time.

ANR2633E	<i>Command: Invalid end date - date.</i> Explanation: The specified command has been issued with an invalid end date. System Action: Server operation continues, but the command is not processed. User Response: Issue the command with a valid end date.
ANR2634E	<i>Command: Invalid end time - time.</i> Explanation: The specified command has been issued with an invalid end time. System Action: Server operation continues, but the command is not processed. User Response: Issue the command with a valid end time.
ANR2635E	<i>Command: Invalid time range - Begin: begin End: end.</i> Explanation: The specified command has been issued with an invalid time range. This occurs if the date and time for the beginning of the time range (<i>begin</i>) do not precede the date and time for the end of the time range (<i>end</i>). System Action: Server operation continues, but the command is not processed. User Response: Issue the command with a valid time range.
ANR2636E	<i>Command: Invalid value for exceptions only - exceptions only.</i> Explanation: The specified command has been issued with an invalid value for exceptions only. System Action: Server operation continues, but the command is not processed. User Response: Issue the command with a valid value for exceptions only.
ANR2640E	<i>Command: Invalid percentage of sessions for scheduled processing - value.</i> Explanation: The specified command has been issued with an invalid value. System Action: Server operation continues, but the command is not processed. User Response: Issue the command with a valid value.
ANR2641E	<i>Command: Invalid event record retention period - value.</i> Explanation: The specified command has been issued with an invalid value. System Action: Server operation continues, but the command is not processed. User Response: Issue the command with a valid value.

ANR2642E *Command: Invalid percentage for randomization - value.*
Explanation: The specified command has been issued with an invalid value.
System Action: Server operation continues, but the command is not processed.
User Response: Issue the command with a valid value.

ANR2643E *Command: Invalid schedule query period - value.*
Explanation: The specified command has been issued with an invalid value.
System Action: Server operation continues, but the command is not processed.
User Response: Issue the command with a valid value.

ANR2644E *Command: Invalid maximum number of command retries - value.*
Explanation: The specified command has been issued with an invalid value.
System Action: Server operation continues, but the command is not processed.
User Response: Issue the command with a valid value.

ANR2645E *Command: Invalid retry period - value.*
Explanation: The specified command has been issued with an invalid value.
System Action: Server operation continues, but the command is not processed.
User Response: Issue the command with a valid value.

ANR2646E *Command: Invalid scheduling mode - value.*
Explanation: The specified command has been issued with an invalid value.
System Action: Server operation continues, but the command is not processed.
User Response: Issue the command with a valid value.

ANR2647E *Command: Invalid type - type.*
Explanation: The specified command has been issued with an invalid type.
System Action: Server operation continues, but the command is not processed.
User Response: Issue the command with a valid type.

-
- ANR2648E** *Command: Type string exceeds maximum length characters.*
- Explanation:** The specified command has been issued with a type string that exceeds the maximum length.
- System Action:** Server operation continues, but the command is not processed.
- User Response:** Issue the command with a valid type string.
-
- ANR2649E** *Command: Schedule schedule name is not defined.*
- Explanation:** The specified command has been issued with a schedule name that has not been defined.
- System Action:** Server operation continues, but the command is not processed.
- User Response:** Issue the command with a schedule that has already been defined.
-
- ANR2650E** *Command: Schedule schedule name is already defined.*
- Explanation:** The specified command has been issued with a schedule name that has already been defined.
- System Action:** Server operation continues, but the command is not processed.
- User Response:** Issue the command with a schedule name that has not already been defined.
-
- ANR2651E** *Command: Invalid combination of one or more of the following parameters: cmd, type, action, objects, options.*
- Explanation:** The specified command has been issued with an invalid combination of the CMD, ACTION, OBJECTS, and OPTIONS parameters. This message is displayed when the CMD parameter is specified and TYPE=CLIENT is not specified, or when TYPE=ADMIN is specified, and one or more of the following is specified: ACTION, OBJECTS, or OPTIONS.
- System Action:** Server operation continues, but the command is not processed.
- User Response:** Issue the command with a valid combination of parameters.
-
- ANR2652E** *Command: Invalid combination of one or more of the following parameters: active, cmd, type.*
- Explanation:** The specified command has been issued with an invalid combination of the TYPE, CMD, or ACTIVE parameters. This message is displayed when TYPE=CLIENT is specified and one or more of the following is specified: ACTIVE, CMD.
- System Action:** Server operation continues, but the command is not processed.
-

User Response: Issue the command with a valid combination of parameters.

ANR2653W *Command: Node node name cannot be processed because it is not registered or does not belong to the specified domain.*

Explanation: This command cannot be processed for the indicated node. Either the node is not registered or it is not assigned to the required domain.

System Action: The indicated node is not processed, but other nodes may be processed if specified by this command.

User Response: If the node name was entered incorrectly, reissue the command with the correct node name.

ANR2654E *Command: The NODES parameter cannot be used when querying administrative schedules.*

Explanation: A QUERY SCHEDULE command has been issued with TYPE=ADMINISTRATIVE and the NODES parameter both specified. The NODES parameter cannot be specified when querying administrative schedules.

System Action: Server operation continues, but the command is not processed.

User Response: Issue the command without the NODES parameter.

ANR2655E *Command: Invalid client action schedule duration - days.*

Explanation: The specified command has been issued with an invalid number of days. Valid values are 1 to 9999 inclusive. *days* specifies the length of time during which a schedule defined by the DEFINE CLIENTAction command must be executed by an associated node. After that, the schedule will be deleted from the database.

System Action: Server operation continues, but the command is not processed.

User Response: Reissue the command with a valid number of days.

ANR2700E **Schedule manager aborted.**

Explanation: The schedule manager has ended because of an error condition and is not able to maintain entries for scheduled operations.

System Action: Server operation continues, but the central scheduler is not operational.

User Response: To determine the source of the error, examine server messages issued prior to this message. Issue the QUERY ACTLOG command to view the activity log and search for messages. After the error has been resolved, restart the

server to restore central scheduler operations. If the error cannot be isolated and resolved, contact your service representative.

ANR2701E

The schedule manager could not be started: *diagcode*.

Explanation: The schedule manager cannot be started during initialization because sufficient memory is not available. Diagnostic code *diagcode* is issued.

System Action: Initialization fails.

User Response: Allocate additional storage to the server. For details, issue HELP MEMORY to display the information online or see “Appendix A. Allocating Additional Server Memory”.

ANR2702E

The schedule prompter could not be started: *diagcode*.

Explanation: The schedule prompter cannot be started during initialization because sufficient memory is not available. Diagnostic code *diagcode* is issued.

System Action: Initialization fails.

User Response: Allocate additional storage to the server. For details, issue HELP MEMORY to display the information online or see “Appendix A. Allocating Additional Server Memory”.

ANR2703E

Schedule prompter aborted.

Explanation: The schedule prompter ends because of a processing error.

System Action: Server operation continues, but prompted scheduling is not operational.

User Response: To determine the source of the error, examine server messages issued prior to this message. Issue the QUERY ACTLOG command to view the activity log and search for messages. After the error has been resolved, restart the server to restore central scheduler prompting operations. If the error cannot be isolated and resolved, contact your service representative.

ANR2707E

Out of server log space in central scheduler.

Explanation: The server ends a database update transaction for the central scheduler because sufficient log space is not available on the server.

System Action: Server operation continues, but the database update fails.

User Response: An authorized administrator can use the DEFINE LOGVOLUME command to add volumes for use by the log and can issue the EXTEND LOG command to extend the size of the log so that the new volumes are used.

ANR2708E

Out of server database space in central scheduler.

Explanation: The server ends a database update transaction for the central scheduler because sufficient database space is not available on the server.

System Action: Server operation continues, but the database update fails.

User Response: An authorized administrator can use the DEFINE DBVOLUME command to add volumes for use by the database and can use the EXTEND DB command to extend the size of the database so that the new volumes are used.

ANR2709E

Schedule manager: Unable to start event record deletion.

Explanation: Event record deletion cannot be started because sufficient memory is not available.

System Action: Server operation continues, but event records are not automatically deleted after their retention period has elapsed.

User Response: Allocate additional storage to the server. For details, issue HELP MEMORY to display the information online or see “Appendix A. Allocating Additional Server Memory”.

ANR2712E

Node *node1* requested scheduling information for node *node2* - session rejected.

Explanation: A request for pending scheduled operations has been sent from the client scheduler for node *node1*. However, the request is for scheduling information concerning another node *node2*.

System Action: Server operation continues, but the client scheduler for node *node1* will not be able to process pending operations.

User Response: Try restarting the client scheduler for node *node1*. If the problem persists, contact your service representative to resolve the client program error.

ANR2713E

Node *node1* trying to start scheduled operation for node *node2* - session rejected.

Explanation: The client scheduler for node *node1* has attempted to execute a scheduled operation for another node, *node2*.

System Action: Server operation continues, but the scheduled operation is not processed.

User Response: Try restarting the client scheduler for node *node1*. If the problem persists, contact your service representative to resolve client program error.

ANR2714E **Node *node1* trying to report scheduled operation results for node *node2* - session rejected.**

Explanation: The client scheduler for node *node1* has attempted to report the results of a scheduled operation using another node name, *node2*.

System Action: Server operation continues, but the results that were sent from node *node1* are not be stored in the server's database.

User Response: Try restarting the client scheduler for node *node1*. If the problem persists, contact your service representative to resolve the client program error.

ANR2715E **Client node *node name* unable to register valid address for server prompting: type *address type* (*high address low address*).**

Explanation: The client scheduler for node *node name* has attempted to register an invalid address for server-prompted central scheduling. The address was type *address type* with high-level field *high address* and low-level field *low address*. The only valid address type is 1.

System Action: Server operation continues, but the node *node name* will not be prompted to perform scheduled operations.

User Response: Verify that the address type and address are correct for this client. The only valid address type is 1 (for TCP/IP). Make sure the client scheduler is not using an invalid address obtained from the client's options file or from the command line when the client scheduler was started.

ANR2716E **Schedule prompter was not able to contact client *node name* using type *address type* (*high address low address*).**

Explanation: The server has attempted to prompt the client scheduler for node *node name* because a scheduled operation should be started. The server is unable to contact the client by using address type *address type*, with high-level field *high address* and low-level field *low address*.

System Action: Server operation continues, but node *node name* is not prompted to start the scheduled operation. If operations should be started for other nodes, the server will attempt to prompt the client schedulers for these nodes. This error is usually caused by network outages or the client scheduler program not being run on the client node.

User Response: Verify that the address type and address are correct for this client. The only valid address type is 1 (for TCP/IP). Make sure the client scheduler is not using an invalid address, obtained at the time the client scheduler was started, from either the client's options file or from the command line. Verify that the client scheduler for node *node name* is running and that the necessary communication links to that scheduler are operational.

ANR2717E **Schedule prompter cannot contact client *node name* using address type (*address type*).**

Explanation: The server attempts to prompt the client scheduler for node *node name* because scheduled work should be started. However, either the server does not support address type *address type* needed for server-prompted scheduling, or the communication method is not currently available. The only valid address type is 1 (for TCP/IP).

System Action: Server operation continues, but the server does not prompt node *node name*.

User Response: If the server does not support the *address type* specified, clients may only use the polling mode of scheduling. If the communication method is temporarily not available, prompted mode scheduling will resume after the communication problem is fixed and service restored. If the problem persists, contact your service representative.

ANR2718W **Schedule manager disabled.**

Explanation: The schedule manager has been disabled because the DISABLESCHEDES YES option was specified in the server options file.

System Action: Server operation continues, but the central scheduler is not operational.

User Response: To enable the schedule manager, specify DISABLESCHEDES NO in the server options file and restart the server.

ANR2750I **Starting scheduled command *schedule name* (*scheduled command*).**

Explanation: This message is displayed when the server starts the execution of a scheduled command. The name of the schedule and the actual command scheduled is displayed.

System Action: Server operation continues, the scheduled command is processed.

User Response: None.

ANR2751I **Scheduled command *schedule name* completed successfully.**

Explanation: This message is displayed when the server successfully completes processing of a scheduled command.

System Action: Server operation continues.

User Response: None.

ANR2752E **Scheduled command *schedule name* failed.**

Explanation: This message is displayed when the server encounters a failure in processing a scheduled command.

System Action: Server operation continues. The scheduled command is ended.

User Response: Examine messages issued prior to this message and use the UPDATE SCHEDULE command to correct the scheduled command. The QUERY EVENT command may also be used to determine the cause of the failure for this scheduled command.

ANR2753I *(Schedule name):command response*

Explanation: This message is used to display the server response to a scheduled command. The name of the command schedule is included at the beginning of the message in parentheses.

System Action: Server operation continues. The scheduled command is ended.

User Response: None.

ANR2754E **DEFINE SCHEDULE or UPDATE SCHEDULE parameter CMD='command' - Unknown command.**

Explanation: The specified command is not a valid server command.

System Action: The DEFINE SCHEDULE or UPDATE SCHEDULE command is not processed.

User Response: Reissue the correct command.

ANR2755E **DEFINE SCHEDULE or UPDATE SCHEDULE parameter CMD='command' - not eligible for scheduling.**

Explanation: The specified command is not eligible for scheduling.

System Action: The DEFINE SCHEDULE or UPDATE SCHEDULE command is not processed.

User Response: None.

ANR2756I **Scheduled command *schedule name* started successfully.**

Explanation: This message is displayed when the server successfully starts processing of a background process for a scheduled command.

System Action: Server operation continues.

User Response: None.

ANR2757E **Command:** The **NODES** parameter cannot be used when querying events for administrative schedules.

Explanation: A **QUERY EVENT** command has been issued with **TYPE=ADMINISTRATIVE** and the **NODES** parameter both specified. The **NODES** parameter cannot be specified when querying events for administrative schedules.

System Action: Server operation continues, but the command is not processed.

User Response: Issue the command without the **NODES** parameter.

ANR2780W **Command:** Updates for nodes previously processed during this command will be rolled back.

Explanation: An error has occurred during an **UPDATE NODE** operation. If the **UPDATE NODE** command was processing more than one node, updates for nodes which were previously processed will be rolled back.

System Action: Server operation continues.

User Response: Correct the error and reissue the command.

ANR2800E **The license manager cannot be started:** *diagcode*.

Explanation: The license manager cannot be started during initialization because sufficient memory is not available. Diagnostic code *diagcode* is issued.

System Action: Initialization fails.

User Response: Allocate additional storage to the server. For details, issue **HELP MEMORY** to display the information online or see "Appendix A. Allocating Additional Server Memory".

ANR2803I **License manager started.**

Explanation: The license manager is started when the server is initialized. The license manager monitors license compliance.

System Action: Server operation continues.

User Response: None.

ANR2804W **Insufficient memory is available for the license manager - will retry in *number of seconds* seconds.**

Explanation: The server suspends license manager processing because sufficient server memory is not available.

System Action: Server operation continues; the license manager operation will be retried after the specified delay.

User Response: Allocate additional storage to the server. For details, issue HELP MEMORY to display the information online or see “Appendix A. Allocating Additional Server Memory”.

ANR2805W **Insufficient recovery log space available for the license manager - will retry in number of seconds seconds.**

Explanation: The server suspends license manager processing because sufficient recovery log space is not available.

System Action: Server operation continues; the license manager operation will be retried after the specified delay.

User Response: To increase the amount of log space available to the server, an authorized administrator can add log volumes using the DEFINE LOGVOLUME command, and can extend the size of the log using the EXTEND LOG command.

ANR2806W **Insufficient database space available for the license manager - will retry in number of seconds seconds.**

Explanation: The server suspends license manager processing because sufficient database space is not available.

System Action: Server operation continues; the license manager operation will be retried after the specified delay.

User Response: To increase the amount of database space available to the server, an authorized administrator can add database volumes using the DEFINE DBVOLUME command, and can extend the size of the log using the EXTEND DB command.

ANR2807E **Out of server log space in license manager.**

Explanation: The server ends a database update transaction for the license manager because sufficient recovery log space is not available on the server.

System Action: Server operation continues, but the database update fails.

User Response: An authorized administrator can use the DEFINE LOGVOLUME command to add volumes for use by the log and can issue the EXTEND LOG command to extend the size of the log so that the new volumes are used.

ANR2808E **Out of server database space in license manager.**

Explanation: The server ends a database update transaction for the license manager because sufficient database space is not available on the server.

System Action: Server operation continues, but the database update fails.

User Response: An authorized administrator can use the DEFINE DBVOLUME command to add volumes for use by the database and can use the EXTEND DB command to extend the size of the database so that the new volumes are used.

ANR2811I **Audit License completed - Server is in compliance with license terms.**

Explanation: The results from the AUDIT LICENSES command indicate the server is in compliance with the terms of the current license.

System Action: Server operation continues.

User Response: None.

ANR2812W **License Audit completed - ATTENTION: Server is NOT in compliance with license terms.**

Explanation: The results from the AUDIT LICENSES command indicate the server is not in compliance with the terms of the current license.

System Action: Server operation continues, but the REGISTER NODE command or backup-archive requests, or both, will fail.

User Response: Use the QUERY LICENSE command to determine the license terms that are no longer in compliance.

ANR2813I **Server is licensed for a capacity of *capacity* gigabytes and *number of clients* clients.**

Explanation: This message is issued during server startup.

System Action: Server operation continues.

User Response: None.

ANR2814I *Audit command:* **License audit period changed to *number of days* days.**

Explanation: This message is displayed in response to the SET LICENSEAUDITPERIOD command used to change the interval in days between automatic license audits.

System Action: Server processing continues.

User Response: None.

ANR2815E *Command:* **Invalid value specified for interval between license audits - *value*.**

Explanation: The specified command has been issued with an invalid value.

System Action: Server operation continues, but the command is not processed.

User Response: Issue the command with a valid value.

ANR2816E *Command: License audit operation already in progress.*

Explanation: The server is currently performing a license audit.

System Action: The server does not process the specified command.

User Response: Reissue the command after the license audit process ends.

ANR2817I *Command: License audit started as process process ID.*

Explanation: A background process has been started to audit the server for license compliance.

System Action: The server checks the existing configuration for the server and compares it against the values for which the server is licensed.

User Response: The administrator may query the status of the background process by using the QUERY PROCESS command, or cancel the process with the CANCEL PROCESS command.

ANR2818I *Command: Licensed capacity is capacity GB with number of clients clients.*

Explanation: This message displays the license information that existed before issuing the REGISTER LICENSE command.

System Action: None.

User Response: None.

ANR2819I *Command: Licensed capacity changed to capacity GB with number of clients clients.*

Explanation: The license information has been changed to the indicated values with the REGISTER LICENSE command.

System Action: None.

User Response: To implement the changed license information, issue an AUDIT LICENSES command or wait until an automatic license audit occurs.

ANR2820I *Automatic license audit started as process process ID.*

Explanation: A background process has been started to audit the server for license compliance.

System Action: The server checks storage utilization and registered nodes for the server and licensed factors, comparing these against the values for which the server is licensed.

User Response: The administrator may query the status of the background process using the QUERY PROCESS command.

ANR2821E

Automatic license audit could not be started: *diagcode*.

Explanation: The license manager cannot start an automatic process to audit server licenses because sufficient memory is not available. Diagnostic code *diagcode* is issued.

System Action: Server processing continues.

User Response: Allocate additional storage to the server. For details, issue HELP MEMORY to display the information online or see “Appendix A. Allocating Additional Server Memory”.

ANR2822I

Cancel in progress

Explanation: The license audit operation has been cancelled and will end when resources have been freed for the background process. This message may be displayed in response to a QUERY PROCESS command for an AUDIT LICENSES operation.

System Action: Server operation continues.

User Response: None.

ANR2823I

Have audited *number of nodes* nodes

Explanation: An AUDIT LICENSES operation is in progress. The process has audited the specified number of nodes. This message may be displayed in response to a QUERY PROCESS command for an AUDIT LICENSES operation.

System Action: Server operation continues.

User Response: None.

ANR2824I

License audit process *process number* canceled - *number of nodes* nodes audited.

Explanation: A background server process to audit server licenses has been canceled by using the CANCEL PROCESS command. The number of nodes that have been audited before the operation ended are reported in the message.

System Action: The server process is ended and server operation continues.

User Response: None.

ANR2825I License audit process *process number* completed successfully - number of nodes nodes audited.

Explanation: A background server process to audit server licenses has completed successfully after auditing the specified number of nodes.

System Action: The server process is ended and server operation continues.

User Response: None.

ANR2826I License audit process *process number* terminated in error - number of nodes nodes audited.

Explanation: A background server process to audit server licenses encounters an error and is ended. The number of nodes that have been audited before the operation ended is reported in the message.

System Action: The server process is ended and server operation continues.

User Response: None.

ANR2832I *Command: The License Manager has not yet completed initialization - please retry this command later.*

Explanation: While attempting to process the specified license command, the server detects that the licensing component of the server had not completed initialization. The licensing facility used on some platforms may require some time to initialize because network calls are involved, and waits may occur.

System Action: Server operation continues; the command is not processed.

User Response: Reissue the command after waiting 10 minutes. If this message is displayed after a number of retry attempts, contact your service representative.

ANR2833I *Command: Auditing license definitions.*

Explanation: The server has started to audit database definitions that describe licensing information.

System Action: Server database audit operation continues.

User Response: None.

ANR2834W License Audit completed - **WARNING: Server is NOT in compliance with license terms.**

Explanation: The results from the AUDIT LICENSES command indicate that the server is not in compliance with the terms of the current license.

System Action: Server operation continues, but the REGISTER NODE command fails.

User Response: Use the QUERY LICENSE command to determine the license terms that are no longer in compliance. Remove nodes or purchase additional client node connections. After these actions have been taken, reissue the AUDIT LICENSES command to resynchronize the server configuration with license terms.

ANR2836I *Command: License audit started as process process ID.*

Explanation: A background process has been started to audit the server for license compliance.

System Action: The server checks registered nodes for the server and compares this against the value for which the server is licensed.

User Response: The administrator may query the status of the background process using the QUERY PROCESS command, or cancel the process with the CANCEL PROCESS command.

ANR2839I *Automatic license audit started as process process ID.*

Explanation: A background process has been started to audit the server for license compliance.

System Action: The server checks registered nodes and compares them against the value for which the server is licensed.

User Response: The administrator may query the status of the background process by using the QUERY PROCESS command.

ANR2841W **Server is NOT IN COMPLIANCE with license terms.**

Explanation: This message is issued periodically when the server configuration does not comply with the terms for which it is licensed.

System Action: Server operation continues.

User Response: Use the QUERY LICENSE command to display the current server configuration with respect to licensed terms to discover which factors of the configuration do not conform to your license. Contact your service representative to obtain more licenses, if required.

ANR2852I **Current license information:**

Explanation: This message is issued during a REGISTER LICENSE command to display the current licensing information for the server before the new license has been interpreted by the command. Messages appearing after this message display the factors under which the server is currently licensed.

System Action: Server operation continues.

User Response: None.

ANR2853I

New license information:

Explanation: This message is issued during a REGISTER LICENSE command to display the updated licensing information for the server after the new license has been interpreted by the command. Messages appearing after this message display the updated factors under which the server is licensed.

System Action: Server operation continues.

User Response: Check to make sure that the new license information includes the updates that you intended for the REGISTER LICENSE command. If the license terms do not change, check the parameters and reissue the command, if you find that it was not entered correctly. If the REGISTER LICENSE command does not produce the desired updates in terms of licensing, contact your service representative.

ANR2855I

Server is licensed to support Tivoli Space Manager clients.

Explanation: This message is issued during server startup.

System Action: Server operation continues.

User Response: None.

ANR2860I

Server is licensed to support Tivoli Disaster Recovery Manager.

Explanation: This message is issued during server startup.

System Action: Server operation continues.

User Response: None.

ANR2900W

The character string 'string' was truncated during assignment.

Explanation: Truncation occurred during assignment of an SQL character string. For example, the expression CAST('Hello' AS CHAR(2)) will result in truncation because the string 'Hello' (length 5) can not fit in the target type CHAR(2) without loss of trailing characters.

System Action: This warning can occur before or after SQL query processing, but does not terminate query processing.

User Response: None.

ANR2901W	<p>The result of character string concatenation was truncated.</p> <p>Explanation: Truncation occurred when the concatenation of character strings resulted in a length that exceeds the maximum character string length (250 for data type CHAR, and 2000 for data type VARCHAR).</p> <p>System Action: This warning can occur before or after SQL query processing, but does not terminate query processing.</p> <p>User Response: None.</p>
-----------------	--

ANR2902E	<p>Insufficient memory was available to process the SQL statement.</p> <p>Explanation: Sufficient memory was not available to complete the processing of an SQL query.</p> <p>System Action: The SQL query is terminated.</p> <p>User Response: None.</p>
-----------------	---

ANR2903E	<p>An SQL parser stack overflow occurred while processing token '<i>token</i>'.</p> <p>Explanation: The internal stack used by the SQL query parser has overflowed. This typically occurs when too many column names or expressions have been specified in the SELECT clause.</p> <p>System Action: The SQL query is terminated.</p> <p>User Response: None.</p>
-----------------	--

ANR2904E	<p>Unexpected SQL key word token - '<i>token</i>'.</p> <p>Explanation: A syntax error occurred because an SQL key word was found that can not legally be used at the specified position within the SQL statement. Examples of SQL key words are SELECT, FROM, and WHERE.</p> <p>System Action: The SQL query is terminated.</p> <p>User Response: None.</p>
-----------------	---

ANR2905E	<p>Unexpected SQL identifier token - '<i>token</i>'.</p> <p>Explanation: A syntax error occurred because an SQL identifier was found that can not legally be used at the specified position within the SQL statement. Examples of SQL identifiers are table names and column names.</p> <p>System Action: The SQL query is terminated.</p> <p>User Response: None.</p>
-----------------	--

ANR2906E	Unexpected SQL literal token - 'token'. Explanation: A syntax error occurred because an SQL literal token was found that can not legally be used at the specified position within the SQL statement. Examples of SQL literal tokens are 'abc', 1.567, and DATE '1/1/96'. System Action: The SQL query is terminated. User Response: None.
ANR2907E	Unexpected SQL operator token - 'token'. Explanation: A syntax error occurred because an SQL operator token was found that can not legally be used at the specified position within the SQL statement. Examples of SQL operator tokens are +, *, <, and =. System Action: The SQL query is terminated. User Response: None.
ANR2908E	Unexpected SQL punctuation token - 'token'. Explanation: A syntax error occurred because an SQL punctuation token was found that can not legally be used at the specified position within the SQL statement. Examples of SQL punctuation tokens are the period, the comma, and the parenthesis. System Action: The SQL query is terminated. User Response: None.
ANR2909E	The SQL statement is incomplete; additional tokens are required. Explanation: A syntax error occurred because, although the syntax of the SQL query expression was correct up to the end of the string, the parser expected additional tokens in order to form a syntactically-correct SQL statement. System Action: The SQL query is terminated. User Response: None.
ANR2910E	Invalid SQL token - 'token'. Explanation: An invalid SQL token was found. For example, the token formed by the character sequence "::!" is not a valid SQL token. System Action: The SQL query is terminated. User Response: None.

ANR2911E	Invalid SQL numeric literal token - 'token'. Explanation: An invalid SQL numeric literal token was found. For example, the floating point literal "1.456E" is not valid. System Action: The SQL query is terminated. User Response: None.
ANR2912E	Invalid character string literal token - 'token'. Explanation: An invalid SQL character string literal token was found. For example, the hexadecimal literal X'78FG' is not valid because it contains the character 'G'. System Action: The SQL query is terminated. User Response: None.
ANR2913E	Invalid SQL identifier token - 'token'. Explanation: An invalid SQL identifier token was found. For example, the character sequence "ABC.123" is not a valid identifier because the second part of the identifier, "123", does not begin with a letter. System Action: The SQL query is terminated. User Response: None.
ANR2914E	SQL identifier token 'token' is too long; name or component exceeds 18 characters. Explanation: An SQL identifier token was found that exceeds the maximum length of 18 characters per component. System Action: The SQL query is terminated. User Response: None.
ANR2915E	The SQL token beginning with 'token' is missing an ending delimiter. Explanation: An SQL token was found that is missing its ending delimiter. For example, each of the tokens 'abc, "abc, and X'abc is missing its ending delimiter. System Action: The SQL query is terminated. User Response: None.

ANR2916E	<p>The SQL data types <i>data type</i> and <i>data type</i> are incompatible for operator '<i>operator</i>'.</p> <p>Explanation: The data types of the operands are not compatible when used with the specified operator. For example, the expression 3 + 'abc' is not valid because the operand data types INTEGER and CHAR(3) are not compatible for the addition operator "+".</p> <p>System Action: The SQL query is terminated.</p> <p>User Response: None.</p>
ANR2917E	<p>The SQL data type of expression '<i>expression</i>' is <i>data type</i>; expecting an integer expression.</p> <p>Explanation: An SQL expression of data type SMALLINT, INTEGER, or DECIMAL with scale zero is expected.</p> <p>System Action: The SQL query is terminated.</p> <p>User Response: None.</p>
ANR2918E	<p>The SQL data type of expression '<i>expression</i>' is <i>data type</i>; expecting a Boolean expression.</p> <p>Explanation: An SQL expression of data type BOOLEAN is expected.</p> <p>System Action: The SQL query is terminated.</p> <p>User Response: None.</p>
ANR2919E	<p>The SQL data type of expression '<i>expression</i>' is <i>data type</i>; expecting a numeric expression.</p> <p>Explanation: An SQL expression of numeric data type SMALLINT, INTEGER, DECIMAL, NUMERIC, REAL, FLOAT, or DOUBLE_PRECISION is expected.</p> <p>System Action: The SQL query is terminated.</p> <p>User Response: None.</p>
ANR2920E	<p>The SQL data type of expression '<i>expression</i>' is <i>data type</i>; expecting a numeric or interval expression.</p> <p>Explanation: An SQL expression of numeric data type (SMALLINT, INTEGER, DECIMAL, NUMERIC, REAL, FLOAT, DOUBLE) or of interval data type (INTERVAL) is expected.</p> <p>System Action: The SQL query is terminated.</p>

User Response: None.

ANR2921E **The SQL data type of expression '*expression*' is *data type*; expecting a character string expression.**

Explanation: An SQL expression of character string type CHAR or VARCHAR is expected.

System Action: The SQL query is terminated.

User Response: None.

ANR2922E **The SQL data type of expression '*expression*' is *data type*; expecting a date, timestamp, character string date, character string timestamp, or interval expression.**

Explanation: An SQL expression was expected of one of the types DATE, TIMESTAMP, CHAR, VARCHAR, or INTERVAL as the operand to the EXTRACT function. In the case of CHAR or VARCHAR, the expression must be a valid character string representation of a date or a timestamp.

System Action: The SQL query is terminated.

User Response: None.

ANR2923E **The SQL data type of expression '*expression*' is *data type*; expecting a time, timestamp, character string time, character string timestamp, or interval expression.**

Explanation: An SQL expression was expected of one of the types TIME, TIMESTAMP, CHAR, VARCHAR, or INTERVAL as the operand to the EXTRACT function. In the case of CHAR or VARCHAR, the expression must be a valid character string representation of a time or a timestamp.

System Action: The SQL query is terminated.

User Response: None.

ANR2924E **The SQL data type of expression '*expression*' is *data type*; expecting a date or character string date expression.**

Explanation: An SQL expression was expected of one of the types DATE, CHAR, or VARCHAR. In the case of CHAR or VARCHAR, the expression must be a valid character string representation of a date.

System Action: The SQL query is terminated.

User Response: None.

-
- ANR2925E** **The SQL data type of expression 'expression' is data type; expecting a time or character string time expression.**
- Explanation:** An SQL expression was expected of one of the types TIME, CHAR, or VARCHAR. In the case of CHAR or VARCHAR, the expression must be a valid character string representation of a time.
- System Action:** The SQL query is terminated.
- User Response:** None.
-
- ANR2926E** **The SQL data type of expression 'expression' is data type; expecting a date, timestamp, character string date, or character string timestamp expression.**
- Explanation:** An SQL expression was expected of one of the types DATE, TIMESTAMP, CHAR, or VARCHAR. In the case of CHAR or VARCHAR, the expression must be a valid character string representation of a date or a timestamp.
- System Action:** The SQL query is terminated.
- User Response:** None.
-
- ANR2927E** **The SQL data type of expression 'expression' is data type; expecting an interval containing a single date-time field.**
- Explanation:** An SQL expression was expected of data type INTERVAL YEAR, INTERVAL MONTH, INTERVAL DAY, INTERVAL HOUR, INTERVAL MINUTE, or INTERVAL SECOND, all of which contain a single date-time field. Multi-field interval types (for example, INTERVAL DAY TO SECOND) are not allowed.
- System Action:** The SQL query is terminated.
- User Response:** None.
-
- ANR2928E** **A number can not be converted to SQL data type INTERVAL if the interval contains multiple date-time fields.**
- Explanation:** An attempt was made to convert a number to the data type INTERVAL, but the target interval contains multiple date-time fields (for example, INTERVAL DAY TO SECOND). Only the single-field interval types INTERVAL YEAR, INTERVAL MONTH, INTERVAL DAY, INTERVAL HOUR, INTERVAL MINUTE, or INTERVAL SECOND can be specified.
- System Action:** The SQL query is terminated.
- User Response:** None.
-

ANR2929E	<p>The expression '<i>expression</i>' is not an integer constant.</p> <p>Explanation: An integer constant such as 1 or -9 is expected. For example, the DECIMAL function requires that the precision and scale operands be integer constants. A decimal constant such as 1.67 is not valid.</p> <p>System Action: The SQL query is terminated.</p> <p>User Response: None.</p>
-----------------	--

ANR2930E	<p>A subquery used in an SQL expression must specify a single result column.</p> <p>Explanation: A subquery used in an expression can not specify multiple result columns. For example, the expression X > (select A,B from T) is invalid because it specifies two result columns (A and B).</p> <p>System Action: The SQL query is terminated.</p> <p>User Response: None.</p>
-----------------	--

ANR2931E	<p>A subquery expression may not contain a reference to a column name that is contained in an outer query expression.</p> <p>Explanation: A subquery contains a reference to a column name in an outer query expression.</p> <p>System Action: The SQL query is terminated.</p> <p>User Response: None.</p>
-----------------	---

ANR2932E	<p>The maximum nesting depth for subquery expressions has been exceeded.</p> <p>Explanation: Too many nested subqueries were specified.</p> <p>System Action: The SQL query is terminated.</p> <p>User Response: None.</p>
-----------------	--

ANR2933E	<p>The WHERE clause must not contain an aggregate function.</p> <p>Explanation: The use of the aggregate functions COUNT, MAX, MIN, SUM, AVG, VARIANCE, or STDDEV in the WHERE clause is not allowed.</p> <p>System Action: The SQL query is terminated.</p> <p>User Response: None.</p>
-----------------	--

ANR2934E **The result data type of a CASE expression can not be determined; at least one non-null THEN or ELSE expression must be specified.**

Explanation: The result data type of a CASE expression can not be determined because all of the THEN expressions and the ELSE expression (if present) specifies the NULL key word.

System Action: The SQL query is terminated.

User Response: None.

ANR2935E **The date-time field *field* is not present in the expression '*expression*' (data type *data type*).**

Explanation: The specified date-time field (YEAR, MONTH, DAY, HOUR, MINUTE, or SECOND) is not contained in the data type of the expression.

System Action: The SQL query is terminated.

User Response: None.

ANR2936E **The SQL aggregate function *function* can not be nested within another aggregate function.**

Explanation: One of the aggregate functions COUNT, MAX, MIN, SUM, AVG, VARIANCE, or STDDEV was found nested within another aggregate expression.

System Action: The SQL query is terminated.

User Response: None.

ANR2937E **An SQL subquery expression can not be nested within an aggregate function.**

Explanation: An expression containing a subquery was found nested within one of the aggregate functions COUNT, MAX, MIN, SUM, AVG, VARIANCE, or STDDEV.

System Action: The SQL query is terminated.

User Response: None.

ANR2938E **The column '*column*' is not allowed in this context; it must either be named in the GROUP BY clause or be nested within an aggregate function.**

Explanation: A column reference was specified that is neither a column specified in a GROUP BY clause nor is a column nested in one of the aggregate functions COUNT, MAX, MIN, SUM, AVG, VARIANCE, or STDDEV. The use of the

column reference is prohibited because either 1) the GROUP BY clause has been specified, 2) the HAVING clause has been specified, or 3) at least one aggregate function is present.

System Action: The SQL query is terminated.

User Response: None.

ANR2939E **The reference '*reference*' is an unknown SQL table name.**

Explanation: The specified table reference is not one of the base tables defined by the server's database. The rows of the table SYSCAT.TABLES can be selected to obtain a list of all of the valid base tables.

System Action: The SQL query is terminated.

User Response: None.

ANR2940E **The reference '*reference*' is an unknown SQL column name.**

Explanation: The specified column reference is not one of the base table columns defined by the server's database. The rows of the table SYSCAT.COLUMNS can be selected to obtain a list of all of the valid base table columns. If a two-part (compound) column reference such as X.Y is specified, then the correlation name X must be one of the active correlation names for the query.

System Action: The SQL query is terminated.

User Response: None.

ANR2941E **The column reference '*column reference*' matches more than one SQL column name.**

Explanation: The specified column reference is ambiguous because it matches the columns associated with multiple tables.

System Action: The SQL query is terminated.

User Response: None.

ANR2942E **The column reference '*column reference*' is not allowed in this context because it is part of an outer SQL query expression.**

Explanation: The specified column reference is not allowed because it names a columns of some outer query expression. Such references are not allowed when contained within the expressions of the HAVING and SELECT clauses.

System Action: The SQL query is terminated.

User Response: None.

ANR2943E	<p>The column reference 'column reference' is a duplicate of another SQL column name in the same list.</p> <p>Explanation: A duplicate column reference was specified within the same GROUP BY or ORDER BY list of columns.</p> <p>System Action: The SQL query is terminated.</p> <p>User Response: None.</p>
ANR2944E	<p>The reference 'reference' is an unknown SQL scalar function name.</p> <p>Explanation: The specified function reference is not the name of a valid scalar function.</p> <p>System Action: The SQL query is terminated.</p> <p>User Response: None.</p>
ANR2945E	<p>Too few arguments are specified for SQL scalar function <i>function</i>.</p> <p>Explanation: Too few function arguments were specified. For example, the expression LEFT(x) is invalid because the LEFT function requires at least two arguments.</p> <p>System Action: The SQL query is terminated.</p> <p>User Response: None.</p>
ANR2946E	<p>Too many arguments are specified for SQL scalar function <i>function</i>.</p> <p>Explanation: Too many function arguments were specified. For example, the expression UPPER(x,y) is invalid because the UPPER function requires exactly one argument.</p> <p>System Action: The SQL query is terminated.</p> <p>User Response: None.</p>
ANR2947E	<p>Division by zero was detected for operator 'operator'.</p> <p>Explanation: An attempt to divide by the number zero was detected for the specified SQL operator. The most likely cause of the problem is that one of the values of a column is zero, and that column is used in the denominator of a division operation. To protect against this case the NULLIF function can be used. For example, instead of the expression 1/X, specify 1/NULLIF(X,0), which will set the expression to null whenever the value if X is zero.</p> <p>System Action: The SQL query is terminated.</p>

User Response: None.

ANR2948E **The value 'value' can not be assigned or converted to SQL data type data type.**

Explanation: A value could not assigned or converted to a value in the specified SQL data type because either 1) the data type of the value can not be legally cast to the target data type (for example, data type TIME can not be converted to data type INTEGER); 2) the assignment of the value results in overflow in the target data type (for example, the decimal value 12345678.34 can not be assigned to data type DECIMAL(3,2) because the precision of the target type is exceeded); or 3) the syntax of a character string value is not appropriate for the target data type (for example, the string 'abc' can not be converted to data type DATE).

System Action: The SQL query is terminated.

User Response: None.

ANR2949E **Arithmetic overflow occurred for SQL operator 'operator'.**

Explanation: An arithmetic overflow occurred for the specified operator. Examples of this include: 1) the application of the unary negation operator to the smallest INTEGER value (-2147483648) causes overflow because the result can not be represented in 2's complement; 2) the sum of the set of INTEGER column values applied to the SUM aggregate function can not be represented within the precision of INTEGER type.

System Action: The SQL query is terminated.

User Response: None.

ANR2950E **Arithmetic or date-time overflow occurred for SQL operator 'operator' for values 'value' (data type data type) and 'value' (data type data type).**

Explanation: An arithmetic or date-time overflow occurred for the specified operator. The values that caused the overflow (and their SQL data types) are displayed.

System Action: The SQL query is terminated.

User Response: None.

ANR2951E **The value 'value' (data type data type) is not a valid argument for operator 'operator'.**

Explanation: An invalid value was specified as an argument to an SQL operator. For example, the expression SQRT(-1) is not valid because the argument to the SQRT function is negative.

System Action: The SQL query is terminated.

User Response: None.

ANR2952E

The value 'value' (data type data type) is not a valid character string representation of an SQL date or a timestamp for operator 'operator'.

Explanation: An invalid character string representation of a DATE or TIMESTAMP was specified. For example, the string 'abc' is neither a valid date nor a timestamp.

System Action: The SQL query is terminated.

User Response: None.

ANR2953E

The value 'value' (data type data type) is not a valid character string representation of an SQL time or a timestamp for operator 'operator'.

Explanation: An invalid character string representation of a TIME or TIMESTAMP was specified. For example, the string 'g pm' is neither a valid time nor a timestamp.

System Action: The SQL query is terminated.

User Response: None.

ANR2954E

An SQL subquery used in a scalar expression must yield a table that contains at most one row.

Explanation: This error results when a subquery used in a scalar expression returns multiple rows, thereby making it ambiguous as to which value should be returned.

System Action: The SQL query is terminated.

User Response: Respecify the subquery (for example, using the WHERE clause) so that the subquery returns at most one row.

ANR2955E

The SQL character string expression 'expression' must return a single character.

Explanation: A single-character character string was expected for the ESCAPE clause of the LIKE operator, for the trim character of the TRIM operator, or for the pad character of the LEFT or RIGHT function. For example, the string 'Hello' is invalid because it contains multiple characters.

System Action: The SQL query is terminated.

User Response: None.

ANR2956E **Unable to access SQL base table 'table'.**

Explanation: An error occurred when attempting to read rows from one of the SQL base tables. This message is typically preceded by another error describing the condition.

System Action: The SQL query is terminated.

User Response: None.

ANR2957E **An error occurred inserting a row in an SQL temporary table. The server database size may need to be increased**

Explanation: An error occurred when attempting to insert a row into a temporary table being used for an SQL query. This message is typically preceded by another error describing the condition. In many cases this error can be resolved by increasing the size of the server database. Free space in the database is used to store temporary tables created during the execution of an SQL SELECT query.

System Action: The SQL query is terminated.

User Response: None.

ANR2958E **SQL temporary table storage has been exhausted.**

Explanation: The result of an SQL query could not be computed because insufficient temporary table storage space was available. Free space in the server database is used to store temporary tables created during the execution of an SQL SELECT query. In many cases the web admin client uses SQL commands to retrieve necessary data from the server. Complex SQL queries such as those containing the following conditions can cause temporary table space to be required: the ORDER BY clause, the GROUP BY clause, and, the DISTINCT operator. In most cases this error can be resolved by increasing the size of the server database.

System Action: The SQL query is terminated.

User Response: None.

ANR2959E **SQL temporary table row is too wide.**

Explanation: A row could not be inserted into an SQL temporary table because the row is too wide. This can occur if 1) there are too many columns in the row being inserted, or 2) the sum of the lengths of the columns in the row is too wide. Temporary tables are used when 1) the ORDER BY clause is specified; 2) the GROUP BY clause is specified; or 3) the DISTINCT operator is specified.

System Action: The SQL query is terminated.

User Response: Reduce the number of columns specified in the ORDER BY and/or GROUP BY clauses.

ANR2960E

Unexpected SQL enumerated type name token - 'token'.

Explanation: A syntax error occurred because an SQL enumerated type name was found that can not legally be used at the specified position within the SQL statement. A list of all of the enumerated types declared by the server can be found in the SQL catalog table SYSCAT.ENUMTYPES.

System Action: The SQL query is terminated.

User Response: None.

ANR2961E

Invalid SQL enumerated type name - 'name'.

Explanation: A syntax error occurred because an SQL enumerated type name was expected, but the specified name is not one of the declared enumerated types. For example, the literal expression XXX::YYYY is illegal because XXX is not a valid enumerated type name. A list of all of the enumerated types declared by the server can be found in the SQL catalog table SYSCAT.ENUMTYPES.

System Action: The SQL query is terminated.

User Response: None.

ANR2962E

Unable to resolve SQL enumerated type for value 'value'.

Explanation: A syntax error occurred because an unqualified SQL enumerated value name was specified, but, because that value name is a member of more than one enumerated type, its type could not be resolved. For example, the enumerated value name YES belongs to more than one enumerated type, and so the result type of the expression YES = YES can not be resolved. A list of all of the enumerated types declared by the server can be found in the SQL catalog table SYSCAT.ENUMTYPES.

System Action: The SQL query is terminated.

User Response: None.

ANR2963W

This SQL query may produce a very large result table, or may require a significant amount of time to compute.

Explanation: An SQL query has been posed that could potentially cause a very large number of rows to be returned and displayed, or may involve a large amount of processing time before the first result table row can be generated.

System Action: The administrator is asked whether to continue.

User Response: Enter 'Y' to continue with SQL query processing or 'N' to terminate the query.

ANR2964E

The reference 'reference' is not a column of the SQL result table.

Explanation: The ORDER BY clause specified a column that is not part of the result table for the SQL query. Only those columns named in the select list are part of the result table.

System Action: The SQL query is terminated.

User Response: None.

ANR2965E

An SQL temporary table cannot be built. required columns columns are needed. maximum columns is the maximum.

Explanation: A temporary table *required columns* wide is needed to complete processing for an SQL query. The maximum degree of an SQL table is *maximum columns*. The table will not be created.

System Action: The SQL query is terminated.

User Response: If the ORDER BY and/or GROUP BY clauses were specified, reduce the number of columns needed for the result table.

ANR2966E

command/process: Database temporary table storage has been exhausted.

Explanation: The named command or operation could not be completed because insufficient temporary table storage space was available. Free space in the server database is used to store temporary tables created during the execution of the named command or process.

System Action: The named command or process is terminated.

User Response: Extend the server database (after adding database volumes if necessary) and re-run the command or process.

ANR3000E

command: Command can only be issued on a configuration manager.

Explanation: The *command* can only be issued on a server that is a configuration manager.

System Action: Server operation continues. The command is not processed.

User Response: Issue this command from a configuration manager.

-
- ANR3001E** *command: Command can only be issued on a managed server.*
- Explanation:** The *command* can only be issued on a managed server.
- System Action:** Server operation continues. The command is not processed.
- User Response:** Issue this command from a managed server.
-
- ANR3002E** *command: Profile name exceeds maximum length characters.*
- Explanation:** The profile name specified in the *command* is longer than the maximum length allowed.
- System Action:** Server operation continues. The command is not processed.
- User Response:** Select a profile name that does not exceed the maximum length.
-
- ANR3003E** *command: Profile description exceeds maximum length characters.*
- Explanation:** The profile description specified in the *command* is longer than the maximum length allowed.
- System Action:** Server operation continues. The command is not processed.
- User Response:** Select a description that does not exceed the maximum length.
-
- ANR3004E** *command: The configuration manager name exceeds maximum length characters.*
- Explanation:** The configuration manager name specified in the *command* is longer than the maximum length allowed.
- System Action:** Server operation continues. The command is not processed.
- User Response:** Select a configuration manager name that does not exceed the maximum length.
-
- ANR3005E** *command: The server name exceeds maximum length characters.*
- Explanation:** The configuration manager name specified in the *command* is longer than the maximum length allowed.
- System Action:** Server operation continues. The command is not processed.
- User Response:** Select a configuration manager name that does not exceed the maximum length.
-

ANR3006E *command: The configuration refresh interval value must be between *minimum value* and *maximum value*.*

Explanation: The specified command has been issued with an invalid refresh interval.

System Action: Server operation continues. The command is not processed.

User Response: Issue the command and specify a valid refresh interval value.

ANR3007E *command: The *option* option must be specified.*

Explanation: When the command is issued on a server that is neither a configuration manager nor a managed server, the specified option must be supplied.

System Action: Server operation continues. The command is not processed.

User Response: Reissue the command with the specified option.

ANR3010W **This command will delete an object that is associated with one or more profiles on a configuration manager. Subsequent configuration refresh processing will delete the object on managed servers that subscribe to a profile with which the object is associated.**

Explanation: A command has been entered that will delete an object from a configuration manager. Since this object is associated with one or more profiles on a configuration manager, configuration refresh processing will delete this object on subscribing managed servers.

System Action: The system asks whether you wish to continue with the command.

User Response: To process the command, enter 'Y' to continue or 'N' to stop the process.

ANR3011E *command: Subscription for profile *profile name* was not deleted because one or more objects could not be discarded.*

Explanation: This message was issued because one or more objects could not be discarded by the indicated command. A previous message gives an explanation for each object that could not be discarded.

System Action: The system may discard some of the managed objects that are associated with profile *profile name*. The subscription itself is not deleted.

User Response: Examine previous messages to determine the action that must be taken before remaining objects can be discarded. Alternatively, you can delete the subscription without using the DISCARDOBJECTS=YES option.

ANR3012I *command: Configuration manager state set to state.*

Explanation: The command has successfully set the configuration manager state.

System Action: The command succeeded.

User Response: None.

ANR3013W *command: Configuration manager state already set to state.*

Explanation: The specified state is already in force on the server.

System Action: Server operation continues. The command is not processed.

User Response: This server is already set to the specified state. If the state should be set differently, reissue the command specifying the new state value.

ANR3014E *command: One or more subscriptions still exist.*

Explanation: A configuration manager state cannot be set to OFF if one or more subscription still exist. The server still has a record of one or more subscriptions to its profiles.

System Action: Server operation continues. The command is not processed.

User Response: Use the QUERY SUBSCRIBERS command to determine which subscriptions still exist. The DELETE SUBSCRIBER command can be used to remove the record of these subscriptions. You may instead want to delete the actual subscription(s) on the managed server(s). When there are no more subscriptions recorded on the configuration manager, you must then delete all the profiles. Once the profiles have been deleted, you can reissue the command.

ANR3015E *command: One or more profiles still exist.*

Explanation: A configuration manager state cannot be set to OFF if one or more profiles still exist.

System Action: Server operation continues. The command is not processed.

User Response: Use the QUERY PROFILE command to determine which profiles still exist on the configuration manager then use the DELETE PROFILE command. After all the profiles have been deleted, reissue the command.

ANR3016I *command: Configuration refresh interval set to interval.*

Explanation: The command has successfully set the configuration refresh interval to the specified value. Automatic configuration refresh processing will immediately be attempted and then will again be performed after the specified number of minutes of elapsed.

System Action: The command succeeded.

User Response: None.

ANR3017I *command: Profile profile name defined.*

Explanation: The command has successfully define a profile.

System Action: The command succeeded.

User Response: None.

ANR3018E *command: Profile profile name already exists.*

Explanation: The profile specified already exists on the configuration manager.

System Action: Server operation continues. The command is not processed.

User Response: Decide on another profile name and reissue the command.

ANR3019I *command: Profile profile name updated.*

Explanation: The command has successfully updated a profile.

System Action: The command succeeded.

User Response: None.

ANR3020E *command: Profile profile name not found.*

Explanation: The profile specified could not be found.

System Action: Server operation continues. The command is not processed.

User Response: Check to see if the profile name was specified correctly on the command. Use the QUERY PROFILE command to check to see if the profile exists on the configuration manager. Reissue the command with the correct profile name.

ANR3021I *command: Profile profile name copied to profile profile name.*

Explanation: The command has successfully copied the first profile to the newly created second profile. All the profile associations were also copied.

System Action: The command succeeded.

User Response: None.

-
- ANR3022E** *command: The profile lock timeout interval value must be between *minimum value* and *maximum value*.*
- Explanation:** The specified command has been issued with an invalid lock timeout interval.
- System Action:** Server operation continues. The command is not processed.
- User Response:** Issue the command and specify a valid lock timeout interval value.
-
- ANR3023I** *command: Profile *profile name* locked.*
- Explanation:** The command has successfully locked the profile. No configuration information can be propagated to the subscribers of the profile until it is unlocked.
- System Action:** The command succeeded.
- User Response:** None.
-
- ANR3024W** *command: Profile *profile* already locked with timeout interval greater than *interval*.*
- Explanation:** An attempt was made to lock the specified profile. The profile is already locked with a timeout interval greater than the value specified.
- System Action:** The profile remains locked with the original timeout interval.
- User Response:** If you want to lower the timeout interval, unlock the profile and then lock the profile again specifying the lower value.
-
- ANR3025I** *command: Profile *profile name* unlocked.*
- Explanation:** The command has successfully unlocked the profile. Configuration information can now be propagated to the subscribers of the profile.
- System Action:** The command succeeded.
- User Response:** None.
-
- ANR3026I** *command: Profile *profile name* deleted.*
- Explanation:** The command has successfully deleted the profile from the configuration manager.
- System Action:** The command succeeded.
- User Response:** None.
-

ANR3027E *command: One or more subscriptions still exist to profile *profile name*.*

Explanation: An attempt was made to delete a profile that still has subscriptions defined on one or more managed servers. The configuration manager still has a record of one or more subscriptions to the profiles.

System Action: Server operation continues. The command is not processed.

User Response: Use the QUERY SUBSCRIBERS command to determine which subscriptions still exist. Use the DELETE SUBSCRIPTION command on the managed server(s) to delete the subscriptions, and then reissue the DELETE PROFILE command on the configuration manager. Alternatively, the FORCE=YES option can be used on the DELETE PROFILE command to delete the profile even if there are subscriptions to the profile. In this case, messages will be issued when the managed server requests updates for that profile, informing the managed server that the profile has been deleted.

ANR3028E *command: Profile *profile name* is locked.*

Explanation: The specified command cannot be performed on a locked profile.

System Action: Server operation continues. The command is not processed.

User Response: Unlock the profile using the UNLOCK PROFILE command and then reissue the command.

ANR3029E *command: Profile name not specified.*

Explanation: A profile name must be specified on this command using the PROFILE= parameter.

System Action: Server operation continues. The command is not processed.

User Response: Reissue the command and specify a profile name.

ANR3030I *command: Subscription defined for profile *profile name*.*

Explanation: The command has successfully defined a subscription to the specified profile. A refresh of the configuration information has been initiated.

System Action: The command succeeded.

User Response: None.

ANR3031W *command: Subscription for profile *profile name* already exists.*

Explanation: A subscription already exists for the specified profile.

System Action: Server operation continues. The command is not processed.

User Response: Check to make sure you specified the correction profile name, and reissue the command if needed.

ANR3032E *command: Server name not specified.*

Explanation: A server name must be specified on this command using the SERVER= parameter. This identifies the configuration manager.

System Action: Server operation continues. The command is not processed.

User Response: Reissue the command and specify a server name.

ANR3033E *command: Server server is not the managed server's configuration manager.*

Explanation: A server name was specified on the command which does not match the current configuration manager. A managed server may only have one configuration manager.

System Action: Server operation continues. The command is not processed.

User Response: Reissue the command and leave off the server parameter. It will default to use the current configuration manager. A QUERY SUBSCRIPTION will display the configuration manager currently in use.

ANR3034E *command: Server server cannot be used as this server's configuration manager.*

Explanation: A server name was specified on the command which cannot be used as a configuration manager.

System Action: Server operation continues. The command is not processed.

User Response: Find out the correct name for the configuration manager and then reissue the command.

ANR3035I *command: Subscriber subscriber name deleted.*

Explanation: The command has successfully deleted a subscriber from the record kept in the configuration manager. If the subscriber (managed server) still has a subscription to a valid profile, the record of the subscription will reappear when it performs its next configuration refresh.

System Action: The command succeeded.

User Response: None.

ANR3036E *command: Subscriber subscriber name not found.*

Explanation: The specified subscriber name was not found in the configuration manager's records as being a valid subscriber of any profiles.

System Action: Server operation continues. The command is not processed.

User Response: Check to see that the subscriber (managed server) name is correct. If you think the name is correct, perhaps the managed server has not yet successfully contacted the configuration manager to inform it that the subscription exists.

ANR3037I *command: Subscription deleted for profile profile name.*

Explanation: The command has successfully deleted a subscription for the specified profile. A refresh of the configuration information has been initiated.

System Action: The command succeeded.

User Response: None.

ANR3038E *command: Subscription for profile profile name not found.*

Explanation: A subscription was not found for the specified profile.

System Action: Server operation continues. The command is not processed.

User Response: Check to see that the profile name was specified correctly. Issue the QUERY SUBSCRIPTION command to check to see which profiles have subscriptions. Reissue the command with the correct profile name.

ANR3039E *command: No matching administrators found in configuration.*

Explanation: No administrator definitions were found on the configuration manager that match the admin(s) specified on the DEFINE PROFASSOCIATION command.

System Action: Server operation continues. The command is not processed.

User Response: Use the QUERY ADMIN command to check which administrators that are defined on the server and then reissue to DEFINE PROFASSOCIATION command.

ANR3040I *command: All administrators associated with profile profilename.*

Explanation: The command has successfully associated all the administrators with the specified profile. All administrator definitions will be automatically propagated to managed servers which subscribe to the profile. If an administrator is added to the configuration manager in the future, its definition will also be automatically propagated to the managed servers.

System Action: The command succeeded.

User Response: None.

ANR3041I *command: Administrator admin associated with profile profilename.*

Explanation: The command has successfully associated the administrator with the specified profile. The administrator definition will be automatically propagated to managed servers which subscribe to the profile.

System Action: The command succeeded.

User Response: None.

ANR3042W *command: No additional administrators associated with profile profilename.*

Explanation: No additional administrator were associated with the profile. The administrator(s) specified are already associated with the profile.

System Action: Server operation continues. The command is not processed.

User Response: Use the QUERY ADMIN command to check which administrators are defined on the server and then reissue to DEFINE PROFASSOCIATION command. The QUERY PROFASSOCIATION FORMAT=DETAILED can be used to see which administrators are already associated with the profile.

ANR3043E *command: No matching domains found in configuration.*

Explanation: No domain definitions were found on the configuration manager that match the domain(s) specified on the DEFINE PROFASSOCIATION command.

System Action: Server operation continues. The command is not processed.

User Response: Use the QUERY DOMAIN command to check which domains that are defined on the server and then reissue to DEFINE PROFASSOCIATION command.

ANR3044I *command: All domains associated with profile profilename.*

Explanation: The command has successfully associated all the domains with the specified profile. All domain definitions will be automatically propagated to managed servers which subscribe to the profile. If a domain is added to the configuration manager in the future, its definition will also be automatically propagated to the managed servers.

System Action: The command succeeded.

User Response: None.

ANR3045I

command: Domain domain associated with profile profilename.

Explanation: The command has successfully associated the domain with the specified profile. The domain definition will be automatically propagated to managed servers which subscribe to the profile.

System Action: The command succeeded.

User Response: None.

ANR3046W

command: No additional domains associated with profile profilename.

Explanation: No additional domains were associated with the profile. The domain(s) specified are already associated with the profile.

System Action: Server operation continues. The command is not processed.

User Response: Use the QUERY DOMAIN command to check which domains are defined on the server and then reissue to DEFINE PROFASSOCIATION command. The QUERY PROFASSOCIATION FORMAT=DETAILED can be used to see which domains are already associated with the profile.

ANR3047E

command: No matching admin schedules found in configuration.

Explanation: No admin schedule definitions were found on the configuration manager that match the admin schedule(s) specified on the DEFINE PROFASSOCIATION command.

System Action: Server operation continues. The command is not processed.

User Response: Use the QUERY SCHEDULE TYPE=ADMIN command to check which admin schedules are defined on the server and then reissue to DEFINE PROFASSOCIATION command.

ANR3048I

command: All admin schedules associated with profile profilename.

Explanation: The command has successfully associated all the admin schedules with the specified profile. All admin schedule definitions will be automatically propagated to managed servers which subscribe to the profile. If an admin schedule is added to the configuration manager in the future, its definition will also be automatically propagated to the managed servers.

System Action: The command succeeded.

User Response: None.

ANR3049I *command: Admin Schedule admin schedule associated with profile profilename.*

Explanation: The command has successfully associated the admin schedule with the specified profile. The admin schedule definition will be automatically propagated to managed servers which subscribe to the profile.

System Action: The command succeeded.

User Response: None.

ANR3050W *command: No additional admin schedules associated with profile profilename.*

Explanation: No additional admin schedules were associated with the profile. The admin schedule(s) specified are already associated with the profile.

System Action: Server operation continues. The command is not processed.

User Response: Use the QUERY SCHEDULE TYPE=ADMIN command to check which admin schedules are defined on the server and then reissue to DEFINE PROFASSOCIATION command. The QUERY PROFASSOCIATION FORMAT=DETAILED can be used to see which admin schedules are already associated with the profile.

ANR3051E *command: No matching scripts found in configuration.*

Explanation: No script definitions were found on the configuration manager that match the script(s) specified on the DEFINE PROFASSOCIATION command.

System Action: Server operation continues. The command is not processed.

User Response: Use the QUERY SCRIPT command to check which scripts that are defined on the server and then reissue to DEFINE PROFASSOCIATION command.

ANR3052I *command: All scripts associated with profile profilename.*

Explanation: The command has successfully associated all the scripts with the specified profile. All script definitions will be automatically propagated to managed servers which subscribe to the profile. If a script is added to the configuration manager in the future, its definition will also be automatically propagated to the managed servers.

System Action: The command succeeded.

User Response: None.

ANR3053I

command: Script script associated with profile profilename.

Explanation: The command has successfully associated the script with the specified profile. The script definition will be automatically propagated to managed servers which subscribe to the profile.

System Action: The command succeeded.

User Response: None.

ANR3054W

command: No additional scripts associated with profile profilename.

Explanation: No additional scripts were associated with the profile. The script(s) specified are already associated with the profile.

System Action: Server operation continues. The command is not processed.

User Response: Use the QUERY SCRIPT command to check which scripts are defined on the server and then reissue to DEFINE PROFASSOCIATION command. The QUERY PROFASSOCIATION FORMAT=DETAILED can be used to see which scripts are already associated with the profile.

ANR3055E

command: No matching client option sets found in configuration.

Explanation: No client option set definitions were found on the configuration manager that match the client option set(s) specified on the DEFINE PROFASSOCIATION command.

System Action: Server operation continues. The command is not processed.

User Response: Use the QUERY CLOPTSET command to check which client option sets that are defined on the server and then reissue to DEFINE PROFASSOCIATION command.

ANR3056I

command: All client option sets associated with profile profilename.

Explanation: The command has successfully associated all the client option sets with the specified profile. All client option set definitions will be automatically propagated to managed servers which subscribe to the profile. If a client option set is added to the configuration manager in the future, its definition will also be automatically propagated to the managed servers.

System Action: The command succeeded.

User Response: None.

ANR3057I *command: Client option set client option set associated with profile profilename.*

Explanation: The command has successfully associated the client option set with the specified profile. The client option set definition will be automatically propagated to managed servers which subscribe to the profile.

System Action: The command succeeded.

User Response: None.

ANR3058W *command: No additional client option sets associated with profile profilename.*

Explanation: No additional client option sets were associated with the profile. The client option set(s) specified are already associated with the profile.

System Action: Server operation continues. The command is not processed.

User Response: Use the QUERY CLOPTSET command to check which client option sets are defined on the server and then reissue to DEFINE PROFASSOCIATION command. The QUERY PROFASSOCIATION FORMAT=DETAILED can be used to see which client option sets are already associated with the profile.

ANR3059E *command: No matching servers found in configuration.*

Explanation: No server definitions were found on the configuration manager that match the server(s) specified on the DEFINE PROFASSOCIATION command.

System Action: Server operation continues. The command is not processed.

User Response: Use the QUERY SERVER command to check which servers that are defined on the server and then reissue to DEFINE PROFASSOCIATION command.

ANR3060I *command: All servers associated with profile profilename.*

Explanation: The command has successfully associated all the servers with the specified profile. All server definitions will be automatically propagated to managed servers which subscribe to the profile. If a server is added to the configuration manager in the future, its definition will also be automatically propagated to the managed servers.

System Action: The command succeeded.

User Response: None.

ANR3061I *command: Server server associated with profile profilename.*

Explanation: The command has successfully associated the server with the specified profile. The server definition will be automatically propagated to managed servers which subscribe to the profile.

System Action: The command succeeded.

User Response: None.

ANR3062W *command: No additional servers associated with profile profilename.*

Explanation: No additional servers were associated with the profile. The server(s) specified are already associated with the profile.

System Action: Server operation continues. The command is not processed.

User Response: Use the QUERY SERVER command to check which servers are defined on the server and then reissue to DEFINE PROFASSOCIATION command. The QUERY PROFASSOCIATION FORMAT=DETAILED can be used to see which servers are already associated with the profile.

ANR3063E *command: No matching server groups found in configuration.*

Explanation: No server group definitions were found on the configuration manager that match the server group(s) specified on the DEFINE PROFASSOCIATION command.

System Action: Server operation continues. The command is not processed.

User Response: Use the QUERY SERVERGROUP command to check which server groups that are defined on the server and then reissue to DEFINE PROFASSOCIATION command.

ANR3064I *command: All server groups associated with profile profilename.*

Explanation: The command has successfully associated all the server groups with the specified profile. All server group definitions will be automatically propagated to managed servers which subscribe to the profile. If a server group is added to the configuration manager in the future, its definition will also be automatically propagated to the managed servers.

System Action: The command succeeded.

User Response: None.

ANR3065I *command: Server group server group associated with profile profilename.*

Explanation: The command has successfully associated the server group with the specified profile. The server group definition will be automatically propagated to managed servers which subscribe to the profile.

System Action: The command succeeded.

User Response: None.

ANR3066W *command: No additional server groups associated with profile profilename.*

Explanation: No additional server groups were associated with the profile. The server group(s) specified are already associated with the profile.

System Action: Server operation continues. The command is not processed.

User Response: Use the QUERY SERVERGROUP command to check which server groups are defined on the server and then reissue to DEFINE PROFASSOCIATION command. The QUERY PROFASSOCIATION FORMAT=DETAILED can be used to see which server groups are already associated with the profile.

ANR3067E *command: No matching administrators associated with profile profile.*

Explanation: No matching administrator definitions are associated with the specified specified profile.

System Action: Server operation continues. The command is not processed.

User Response: Use the QUERY PROFASSOCIATION command to check which administrators are associated with the profile and then reissue to DELETE PROFASSOCIATION command.

ANR3068I *command: All administrator associations deleted from profile profilename.*

Explanation: The command has successfully deleted all administrators associations from the specified profile. This will automatically delete these administrators from the managed servers that are subscribed to this profile.

System Action: The command succeeded.

User Response: None.

ANR3069I *command: Administrator association admin deleted from profile profilename.*

Explanation: The command has successfully deleted an administrator association from the specified profile. This will automatically delete this administrator from the managed servers that are subscribed to this profile.

System Action: The command succeeded.

User Response: None.

ANR3070E *command: No matching domains associated with profile profile.*

Explanation: No matching domain definitions are associated with the specified profile.

System Action: Server operation continues. The command is not processed.

User Response: Use the QUERY PROFASSOCIATION command to check which domains are associated with the profile and then reissue to DELETE PROFASSOCIATION command.

ANR3071I *command: All domain associations deleted from profile profilename.*

Explanation: The command has successfully deleted all domains associations from the specified profile. This will automatically delete these domains from the managed servers that are subscribed to this profile.

System Action: The command succeeded.

User Response: None.

ANR3072I *command: Domain association domain deleted from profile profilename.*

Explanation: The command has successfully deleted a domain association from the specified profile. This will automatically delete this domain from the managed servers that are subscribed to this profile.

System Action: The command succeeded.

User Response: None.

ANR3073E *command: No matching admin schedules associated with profile profile.*

Explanation: No matching admin schedule definitions are associated with the specified profile.

System Action: Server operation continues. The command is not processed.

User Response: Use the QUERY PROFASSOCIATION command to check which admin schedules are associated with the profile and then reissue to DELETE PROFASSOCIATION command.

ANR3074I *command: All admin schedule associations deleted from profile profilename.*

Explanation: The command has successfully deleted all admin schedules associations from the specified profile. This will automatically delete these admin schedules from the managed servers that are subscribed to this profile.

System Action: The command succeeded.

User Response: None.

ANR3075I *command: Admin schedule association admin schedule deleted from profile profilename.*

Explanation: The command has successfully deleted an admin schedule association from the specified profile. This will automatically delete this admin schedule from the managed servers that are subscribed to this profile.

System Action: The command succeeded.

User Response: None.

ANR3076E *command: No matching scripts associated with profile profile.*

Explanation: No matching script definitions are associated with the specified specified profile.

System Action: Server operation continues. The command is not processed.

User Response: Use the QUERY PROFASSOCIATION command to check which scripts are associated with the profile and then reissue to DELETE PROFASSOCIATION command.

ANR3077I *command: All script associations deleted from profile profilename.*

Explanation: The command has successfully deleted all scripts associations from the specified profile. This will automatically delete these scripts from the managed servers that are subscribed to this profile.

System Action: The command succeeded.

User Response: None.

ANR3078I *command: Script association script deleted from profile profilename.*

Explanation: The command has successfully deleted a script association from the specified profile. This will automatically delete this script from the managed servers that are subscribed to this profile.

System Action: The command succeeded.

User Response: None.

ANR3079E *command: No matching client option sets associated with profile profile.*

Explanation: No matching client option set definitions are associated with the specified profile.

System Action: Server operation continues. The command is not processed.

User Response: Use the QUERY PROFASSOCIATION command to check which client option sets are associated with the profile and then reissue to DELETE PROFASSOCIATION command.

ANR3080I *command: All client option set associations deleted from profile filename.*

Explanation: The command has successfully deleted all client option set associations from the specified profile. This will automatically delete these client option sets from the managed servers that are subscribed to this profile.

System Action: The command succeeded.

User Response: None.

ANR3081I *command: Client option set association client option set deleted from profile filename.*

Explanation: The command has successfully deleted a client option set association from the specified profile. This will automatically delete this client option set from the managed servers that are subscribed to this profile.

System Action: The command succeeded.

User Response: None.

ANR3082E *command: No matching servers associated with profile profile.*

Explanation: No matching server definitions are associated with the specified profile.

System Action: Server operation continues. The command is not processed.

User Response: Use the QUERY PROFASSOCIATION command to check which servers are associated with the profile and then reissue to DELETE PROFASSOCIATION command.

ANR3083I *command: All server associations deleted from profile `profilename`.*

Explanation: The command has successfully deleted all servers associations from the specified profile. This will automatically delete these servers from the managed servers that are subscribed to this profile.

System Action: The command succeeded.

User Response: None.

ANR3084I *command: Server association `server` deleted from profile `profilename`.*

Explanation: The command has successfully deleted a server association from the specified profile. This will automatically delete this server definition from the managed servers that are subscribed to this profile.

System Action: The command succeeded.

User Response: None.

ANR3085E *command: No matching server groups associated with profile `profile`.*

Explanation: No matching server group definitions are associated with the specified profile.

System Action: Server operation continues. The command is not processed.

User Response: Use the QUERY PROFASSOCIATION command to check which server groups are associated with the profile and then reissue to DELETE PROFASSOCIATION command.

ANR3086I *command: All server group associations deleted from profile `profilename`.*

Explanation: The command has successfully deleted all server groups associations from the specified profile. This will automatically delete these server groups from the managed servers that are subscribed to this profile.

System Action: The command succeeded.

User Response: None.

ANR3087I *command: Server group association `server group` deleted from profile `profilename`.*

Explanation: The command has successfully deleted a server group association from the specified profile. This will automatically delete this server group from the managed servers that are subscribed to this profile.

System Action: The command succeeded.

User Response: None.

ANR3088W **This command will cause the deletion of objects on any managed server subscribed to profile *profile name*.**

Explanation: A DELETE PROFASSOCIATION command option has been entered. This action will not only delete the association from the profile, but it will also result in the deletion of managed object(s) on any managed server subscribing to this profile. The deletion of these objects will occur during the next configuration refresh for that managed server.

System Action: The system asks whether you wish to continue with the command.

User Response: To process the DELETE PROFASSOCIATION command, enter 'Y' to continue or 'N' to stop the command.

ANR3089E *command:* **Command failed - Server-to-server communication error with server *server name*.**

Explanation: The specified command failed while attempting to communicate with the indicated server.

System Action: Server operation continues. The command is not processed.

User Response: Verify that the indicated server name is correctly defined. Try reissuing the command. Use the server PING command to see if the other server is up. If the problem persists, consult with your network administrator.

ANR3090E *command:* **Server *server name* is not a configuration manager.**

Explanation: The specified command failed because it tried to contact the specified server, and discovered that the server is not a configuration manager.

System Action: Server operation continues. The command is not processed.

User Response: Reissue the command and specify a correct configuration manager name.

ANR3091E *command:* **Profile list not specified.**

Explanation: The specified command failed because you did not specify a profile list on the command.

System Action: Server operation continues. The command is not processed.

User Response: Reissue the command specifying a profile list.

-
- ANR3092I** *command: Subscriber notification processing has begun.*
- Explanation:** A NOTIFY SUBSCRIBER process has begun. The managed server(s) are being contacted, asking them to immediately perform a configuration refresh.
- System Action:** Server operation continues. The command succeeded.
- User Response:** None.
-
- ANR3093I** *command: No matching profiles or subscriptions were found.*
- Explanation:** No subscriptions were found for the profiles specified. Either the profiles do not exist, or there are no subscriptions to the profiles.
- System Action:** Server operation continues. The command is not processed.
- User Response:** Use the QUERY PROFILE and QUERY SUBSCRIBER command to determine which profiles exist and which profiles have subscribers. Reissue the command specifying the correct profile name(s).
-
- ANR3150E** **Configuration refresh failed with configuration manager *server name*. Will retry in *minutes* minutes.**
- Explanation:** While receiving configuration information from the specified configuration manager, processing failed because of a communications error.
- System Action:** Server operation continues. The configuration refresh process was stopped and will be automatically retried.
- User Response:** Perhaps the configuration manager is not active. If the problem continues, contact the administrator for the configuration manager, or contact a network administrator. The refresh will automatically retry several times and then give up until the configuration refresh interval is reached again.
-
- ANR3151E** **Configuration refresh failed with configuration manager *server name*.**
- Explanation:** While receiving configuration information from the specified configuration manager, processing failed.
- System Action:** Server operation continues. The configuration refresh process was stopped.
- User Response:** Examine the activity log for other messages that may explain why the configuration refresh failed. The refresh will attempted again when the configuration refresh interval is reached.
-

ANR3152I **Configuration refresh started with configuration manager** *server name*.

Explanation: Configuration refresh processing has started. A server-to-server session was opened to receive configuration information from the configuration manager. Updates will be sent for objects associated with any subscribed-to profiles.

System Action: Refresh processing continues.

User Response: None.

ANR3153I **Configuration refresh ended successfully with configuration manager** *server name*.

Explanation: Configuration refresh processing ended successfully. All updates have been made to managed objects associated with any subscribed-to profiles.

System Action: Server processing continues. The next automatic refresh will start when the configuration refresh interval is reached.

User Response: None.

ANR3154E **Communication error on notify to managed server** *server name*. **Will retry in** *minutes* **minutes**.

Explanation: While attempting a notify subscriber request to the specified managed server, a communications error was detected.

System Action: Server operation continues. The notify subscriber request was stopped and will be automatically retried.

User Response: Perhaps the managed server is not active. If the problem continues, contact the administrator for the managed server, or contact a network administrator. The notify subscriber request will automatically retry several times and then give up.

ANR3155E **Error attempting notify subscribers request to managed server** *server*.

System Action: Server operation continues. The notify subscriber request failed.

User Response: Examine the activity log for other messages that may explain why the notify subscriber request failed.

ANR3156E **Configuration refresh failed for managed server** *server name*.

Explanation: While sending configuration information to the specified managed server, processing failed.

System Action: Server operation continues. The configuration refresh process ended.

User Response: Examine the activity log of both the managed server and the configuration manager for other messages that may explain why the configuration refresh failed. The refresh will be attempted again by the managed server when its configuration refresh interval is reached.

ANR3157I Configuration refresh started for managed server *server name*.

Explanation: Configuration refresh processing has started. A server-to-server session was opened by the managed server to receive configuration information from the configuration manager. Updates will be sent for objects associated with any subscribed-to profiles.

System Action: Refresh processing continues.

User Response: None.

ANR3158I Configuration refresh ended successfully for managed server *server name*.

Explanation: Configuration refresh processing ended successfully. All updates have been made to managed objects associated with any subscribed-to profiles on the managed server.

System Action: Server processing continues.

User Response: None.

ANR3159E Managed server *server name* has newer version for profile *profile name*.

Explanation: While sending configuration information to the specified managed server, it has been detected that the managed server has a newer version of configuration information for the specified profile than does the configuration manager. This condition can happen if the configuration manager's database has been restored to an earlier point in time. Another possibility is that the profile was deleted on the configuration manager and a new profile by the same name was created.

System Action: Server operation continues. No configuration information for this profile will be sent to the managed server until this condition is corrected.

User Response: Before correcting the situation, you may want to use QUERY PROFILE to examine the profile associations defined on both the configuration manager and the managed server. To correct the situation, on the managed server delete the subscription to the profile and define the subscription again. This will cause the managed server to be refreshed at the configuration manager's current level.

ANR3160E **Unable to receive confirmation of refresh from managed server** *server name*.

Explanation: While sending configuration information to the specified managed server, a communication error occurred when trying to receive confirmation from the managed server that information was processed successfully.

System Action: Server operation continues. Configuration refresh processing ended.

User Response: Determine if communication can be established with the managed server by using the server PING command. Use the NOTIFY SUBSCRIBERS command to force the configuration refresh to retry.

ANR3161E **Premature end of configuration refresh for managed server** *server name*.

Explanation: While sending configuration information to the specified managed server, processing ended prematurely because of an error.

System Action: Server operation continues. Configuration refresh processing ended.

User Response: Examine the activity log on the managed server for any error messages that might explain why the refresh failed. Use the NOTIFY SUBSCRIBERS command on the configuration manager to force the configuration refresh to retry.

ANR3162E **Managed server** *server name* **aborted configuration refresh processing due to a low memory condition.**

Explanation: While sending configuration information to the specified managed server, processing ended prematurely because of a low memory condition on the managed server.

System Action: Server operation continues. Configuration refresh processing ended.

User Response: Make more memory available to the managed server.

ANR3163E **Managed server** *server name* **aborted configuration refresh processing due to an internal error.**

Explanation: While sending configuration information to the specified managed server, processing ended prematurely because of an internal error on the managed server.

System Action: Server operation continues. Configuration refresh processing ended.

User Response: Examine the activity log of the managed server for messages that explain the cause of the internal error.

ANR3164E **Managed server *server name* aborted configuration refresh processing due to a lock conflict.**

Explanation: While sending configuration information to the specified managed server, processing ended prematurely because of a lock conflict on the managed server.

System Action: Server operation continues. Configuration refresh processing ended.

User Response: Use the NOTIFY SUBSCRIBERS command to retry the configuration refresh. If this problem persists, contact your service representative.

ANR3165E **Managed server *server name* aborted configuration refresh processing due to a protocol error.**

Explanation: While sending configuration information to the specified managed server, processing ended prematurely because of a protocol error detected on the managed server.

System Action: Server operation continues. Configuration refresh processing ended.

User Response: Use the NOTIFY SUBSCRIBERS command to retry the configuration refresh. If this problem persists, contact your service representative.

ANR3166E **Unable to receive configuration refresh information from server *server name*.**

Explanation: While receiving configuration information from the specified configuration manager, processing ended prematurely because of a communications error.

System Action: Server operation continues. Configuration refresh processing ended.

User Response: Use the server PING command to see if the configuration manager can be reached. If the problem persists, contact your network administrator.

ANR3167E **Configuration manager *server name* aborted configuration refresh processing due to a low memory condition.**

Explanation: While receiving configuration information from the specified configuration manager, processing ended prematurely because of a low memory condition on the configuration manager.

System Action: Server operation continues. Configuration refresh processing ended.

User Response: Notify the administrator of the configuration manager.

ANR3168E Configuration manager *server name* aborted configuration refresh processing due to an internal error.

Explanation: While receiving configuration information from the specified configuration manager, processing ended prematurely because of an internal error on the configuration manager.

System Action: Server operation continues. Configuration refresh processing ended.

User Response: Examine the activity log of the configuration manager for messages that explain the cause of the internal error.

ANR3169E Configuration manager *server name* aborted configuration refresh processing due to a lock conflict.

Explanation: While receiving configuration information from the specified managed server, processing ended prematurely because of a lock conflict on the configuration manager.

System Action: Server operation continues. Configuration refresh processing ended.

User Response: Retry the configuration refresh by issuing the SET CONFIGREFRESH command (using the current refresh interval value). If this problem persists, contact your service representative.

ANR3170E Configuration manager *server name* aborted configuration refresh processing due to a protocol error.

Explanation: While receiving configuration information from the specified configuration manager, processing ended prematurely because of a protocol error detected on the configuration manager.

System Action: Server operation continues. Configuration refresh processing ended.

User Response: Retry the configuration refresh by issuing the SET CONFIGREFRESH command (using the current refresh interval value). If this problem persists, contact your service representative.

ANR3171E Configuration refresh with configuration manager *server name* had to skip processing for one or more objects.

Explanation: While receiving configuration information from the specified configuration manager, it became necessary to skip the creation or deletion of one or more objects.

System Action: Server operation continues. Configuration refresh processing ended.

User Response: Examine the managed server's activity log for earlier messages that identify the object, and take the actions identified in those messages. Configuration refresh processing will not complete successfully until the problem is clear up.

ANR3172W Subscription exists for deleted profile *profile name*.

Explanation: While receiving configuration information from the configuration manager, it has been detected that the managed server has a subscription to a profile that no longer exists on the configuration manager. This condition can exist because the profile was deleted with FORCE=YES on the configuration manager. This out-of-synch condition can also occur because one of the server's database was regressed because of a restore db.

System Action: Server operation continues.

User Response: The DELETE SUBSCRIPTION command is used to correct this situation. You need to decide if you want the managed objects to remain on the server. If you want them to be deleted, specify DISCARD=YES. If you want the objects to remain on the managed server as local objects, specify DISCARD=NO.

ANR3173E Server has newer version for profile *profile name* than the configuration manager *server name*.

Explanation: While receiving configuration information from the configuration manager, it has been detected that the managed server has a newer version of configuration information for the specified profile than does the configuration manager. This condition can happen if the configuration manager's database has been restored to an earlier point in time. Another possibility is that the profile was deleted on the configuration manager with FORCE=YES and a new profile by the same name was created.

System Action: Server operation continues. No configuration information for this profile will be sent to the managed server until this condition is corrected.

User Response: Before correcting the situation, you may want to use QUERY PROFILE to examine the profile associations defined on both the configuration manager and the managed server. To correct the situation, on the managed server

delete the subscription to the profile and define the subscription again. This will cause the managed server to be refreshed at the configuration manager's current level.

ANR3174E

Communication error with managed server *server name*.

Explanation: While receiving or sending information to the specified managed server, a communications error was experienced.

System Action: Server operation continues. The operation in progress fails.

User Response: If this error happens often, consult with your network administrator. Also check to see that the managed server is up.

ANR3175W

Profile *profile name* **is locked and could not be refreshed from configuration manager** *server name*.

Explanation: While receiving configuration refresh information from the specified managed server, it was detected that a subscribed-to profile is locked.

System Action: Server operation continues. Refresh processings skips over this profile.

User Response: Normally, the profile will later be unlocked automatically, or by an administrator. If you think that it should not be locked, have ask the configuration manager admin to unlock it using the UNLOCK PROFILE command.

ANR3176W

Profile *profile name* **is locked and could not be refreshed for managed server** *server name*.

Explanation: While sending configuration refresh information to the specified managed server, it was detected that a subscribed-to profile is locked.

System Action: Server operation continues. Refresh processings skips over this profile.

User Response: If the profile should no longer be locked, use the UNLOCK PROFILE command to unlock it.

ANR3177W

Server level does not support object in profile *profile name*.

Explanation: While receiving configuration refresh information from the configuration manager, an object was received that is not supported on this managed server.

System Action: Server operation continues. Refresh processings skips over this object. The refresh for the profile fails.

User Response: The configuration manager is at a higher release level than the managed server. The managed server subscribed to a profile that contains an unsupported object. Delete the subscription to this profile until service can be applied to the server to bring it to a higher release level.

ANR3200E *command: Command cannot be executed - domain *domain name* is a managed object.*

Explanation: The specified command cannot be executed because it would alter the contents of the indicated managed domain. With the exception of policy set activation, a managed domain can only be modified using configuration information propagated from the configuration manager.

System Action: The command fails and server operation continues.

User Response: None.

ANR3201E *command: Domain *domain name* is a managed object and cannot be deleted.*

Explanation: The indicated domain is a managed object and cannot be deleted on the managed server.

System Action: The command fails and server operation continues.

User Response: To delete this object, you can delete the subscription to the configuration profiles with which domain *domain name* is associated.

ANR3202E *command: Domain *domain name* is a managed object and cannot be updated.*

Explanation: The indicated domain is a managed object and cannot be updated on the managed server.

System Action: The command fails and server operation continues.

User Response: To update this object, you can delete the subscription to the configuration profiles with which domain *domain name* is associated.

ANR3203E *command: Policy set *set name* in domain *domain name* is a managed object and cannot be deleted.*

Explanation: The indicated policy set is a managed object and cannot be deleted on the managed server.

System Action: The command fails and server operation continues.

User Response: To delete this object, you can delete the subscription to the configuration profiles with which domain *domain name* is associated.

ANR3204E *command: Policy set set name in domain domain name is a managed object and cannot be updated.*

Explanation: The indicated policy set is a managed object and cannot be updated on the managed server.

System Action: The command fails and server operation continues.

User Response: To update this object, you can delete the subscription to the configuration profiles with which domain *domain name* is associated.

ANR3205E *command: Management class class name in domain domain name, policy set set name is a managed object and cannot be deleted.*

Explanation: The indicated management class is a managed object and cannot be deleted on the managed server.

System Action: The command fails and server operation continues.

User Response: To delete this object, you can delete the subscription to the configuration profiles with which domain *domain name* is associated.

ANR3206E *command: Management class class name in domain domain name, policy set set name is a managed object and cannot be updated.*

Explanation: The indicated management class is a managed object and cannot be updated on the managed server.

System Action: The command fails and server operation continues.

User Response: To update this object, you can delete the subscription to the configuration profiles with which domain *domain name* is associated.

ANR3207E *command: Backup copy group group name in domain domain name, policy set set name, management class class name is a managed object and cannot be deleted.*

Explanation: The indicated backup copy group is a managed object and cannot be deleted on the managed server.

System Action: The command fails and server operation continues.

User Response: To delete this object, you can delete the subscription to the configuration profiles with which domain *domain name* is associated.

ANR3208E *command: Archive copy group group name in domain domain name, policy set set name, management class class name is a managed object and cannot be deleted.*

Explanation: The indicated archive copy group is a managed object and cannot be deleted on the managed server.

System Action: The command fails and server operation continues.

User Response: To delete this object, you can delete the subscription to the configuration profiles with which domain *domain name* is associated.

ANR3209E *command: Backup copy group group name in domain domain name, policy set set name, management class class name is a managed object and cannot be updated.*

Explanation: The indicated backup copy group is a managed object and cannot be updated on the managed server.

System Action: The command fails and server operation continues.

User Response: To update this object, you can delete the subscription to the configuration profiles with which domain *domain name* is associated.

ANR3210E *command: Archive copy group group name in domain domain name, policy set set name, management class class name is a managed object and cannot be updated.*

Explanation: The indicated archive copy group is a managed object and cannot be updated on the managed server.

System Action: The command fails and server operation continues.

User Response: To update this object, you can delete the subscription to the configuration profiles with which domain *domain name* is associated.

ANR3211E *command: Client schedule schedule name in domain domain name is a managed object and cannot be deleted.*

Explanation: The indicated client schedule is a managed object and cannot be deleted on the managed server.

System Action: The command fails and server operation continues.

User Response: To delete this object, you can delete the subscription to the configuration profiles with which domain *domain name* is associated.

ANR3212E *command: Client schedule schedule name in domain domain name is a managed object and cannot be updated.*

Explanation: The indicated client schedule is a managed object and cannot be updated on the managed server.

System Action: The command fails and server operation continues.

User Response: To update this object, you can delete the subscription to the configuration profiles with which domain *domain name* is associated.

ANR3213E *command: Administrative schedule *schedule name* is a managed object and cannot be deleted.*

Explanation: The indicated administrative schedule is a managed object and cannot be deleted on the managed server.

System Action: The command fails and server operation continues.

User Response: To delete this object, you can delete the subscription to the configuration profiles with which the object is associated.

ANR3214E *command: Administrative schedule *schedule name* is a managed object and cannot be updated, except to activate or deactivate the schedule.*

Explanation: The indicated administrative schedule is a managed object and cannot be updated on the managed server, except to change the active state of the schedule.

System Action: The command fails and server operation continues.

User Response: To update this object, you can delete the subscription to the configuration profiles with which the object is associated.

ANR3215W *Managed domain *domain name* contains at least one node and cannot be discarded.*

Explanation: This message is issued while processing a DELETE SUBSCRIPTION command with DISCARDOBJECTS=YES. The indicated domain cannot be discarded on the managed server because it still contains one or more nodes.

System Action: Domain *domain name* is not deleted. Policy sets, management classes, copy groups, and client schedules belonging to this domain are also not deleted.

User Response: Before this domain can be deleted, nodes in the domain must be removed or assigned another domain.

ANR3216W *Managed administrative schedule *schedule name* is active and cannot be discarded.*

Explanation: This message is issued while processing a DELETE SUBSCRIPTION command with DISCARDOBJECTS=YES. The indicated administrative schedule cannot be discarded on the managed server because it is in the active state.

System Action: Administrative schedule *schedule name* is not deleted.

User Response: Before this administrative schedule can be deleted, it must be deactivated using the Update Schedule command.

ANR3217E *command:* **Administrator administrator name is a managed object and cannot be removed.**

Explanation: The indicated administrator is a managed object and cannot be removed on the managed server.

System Action: The command fails and server operation continues.

User Response: To remove this administrator, you can delete the subscription to the configuration profiles with which the object is associated.

ANR3218E *command:* **Administrator administrator name is a managed object and cannot be updated.**

Explanation: The indicated administrator is a managed object and cannot be updated on the managed server.

System Action: The command fails and server operation continues.

User Response: To update this administrator, you can delete the subscription to the configuration profiles with which the object is associated.

ANR3219E *command:* **Administrator administrator name is a managed object and cannot be renamed.**

Explanation: The indicated administrator is a managed object and cannot be renamed on the managed server.

System Action: The command fails and server operation continues.

User Response: To rename this administrator, you can delete the subscription to the configuration profiles with which the object is associated.

ANR3220E *command:* **Administrator administrator name is a managed object - authority cannot be granted.**

Explanation: The indicated administrator is a managed object. Authority cannot be granted to this administrator on the managed server.

System Action: The command fails and server operation continues.

User Response: To grant authority to this administrator, you can delete the subscription to the configuration profiles with which the object is associated.

ANR3221E	<p><i>command: Administrator administrator name is a managed object - authority cannot be revoked.</i></p> <p>Explanation: The indicated administrator is a managed object. Authority of this administrator cannot be revoked on the managed server.</p> <p>System Action: The command fails and server operation continues.</p> <p>User Response: To revoke authority of this administrator, you can delete the subscription to the configuration profiles with which the object is associated.</p>
<hr/>	
ANR3222W	<p>Managed administrator <i>administrator name</i> is the only system administrator and cannot be discarded.</p> <p>Explanation: This message is issued while processing a DELETE SUBSCRIPTION command with DISCARDOBJECTS=YES. The indicated administrator cannot be discarded on the managed server because it is the only system administrator.</p> <p>System Action: Administrator <i>administrator name</i> is not deleted.</p> <p>User Response: Before this administrator can be deleted, another administrator must be given system authority.</p>
<hr/>	
ANR3223W	<p>Managed administrator <i>administrator name</i> is currently accessing the server and cannot be discarded.</p> <p>Explanation: This message is issued while processing a DELETE SUBSCRIPTION command with DISCARDOBJECTS=YES. The indicated administrator cannot be discarded on the managed server because it has an active session with the server.</p> <p>System Action: Administrator <i>administrator name</i> is not deleted.</p> <p>User Response: Quit or cancel all sessions for this administrator before discarding the administrator definition.</p>
<hr/>	
ANR3224E	<p><i>command: Command script command script name is a managed object and cannot be deleted.</i></p> <p>Explanation: The indicated command script is a managed object and cannot be deleted on the managed server.</p> <p>System Action: The command fails and server operation continues.</p> <p>User Response: To delete this script, you can delete the subscription to the configuration profiles with which the object is associated.</p>

ANR3225E *command: Command script `command script name` is a managed object and cannot be updated.*

Explanation: The indicated command script is a managed object and cannot be updated on the managed server.

System Action: The command fails and server operation continues.

User Response: To update this script, you can delete the subscription to the configuration profiles with which the object is associated.

ANR3226E *command: Command script `command script name` is a managed object and cannot be renamed.*

Explanation: The indicated command script is a managed object and cannot be renamed on the managed server.

System Action: The command fails and server operation continues.

User Response: To rename this script, you can delete the subscription to the configuration profiles with which the object is associated.

ANR3227E *command: Option set `optionset name` is a managed object and cannot be deleted.*

Explanation: The indicated option set is a managed object and cannot be deleted on the managed server.

System Action: The command fails and server operation continues.

User Response: To delete this option set, you can delete the subscription to the configuration profiles with which the object is associated.

ANR3228E *command: Option set `optionset name` is a managed object and cannot be updated.*

Explanation: The indicated option set is a managed object and cannot be updated on the managed server.

System Action: The command fails and server operation continues.

User Response: To update this option set, you can delete the subscription to the configuration profiles with which the object is associated.

ANR3229E *command: Command cannot be executed - option set `optionset name` is a managed object.*

Explanation: The specified command cannot be executed because it would alter the contents of the indicated managed option set.

System Action: The command fails and server operation continues.

User Response: None.

ANR3230E *command: Server group group name is a managed object and cannot be deleted.*

Explanation: The indicated server group is a managed object and cannot be deleted on the managed server.

System Action: The command fails and server operation continues.

User Response: To delete this server group, you can delete the subscription to the configuration profiles with which the object is associated.

ANR3231E *command: Server group group name is a managed object and cannot be updated.*

Explanation: The indicated server group is a managed object and cannot be updated on the managed server.

System Action: The command fails and server operation continues.

User Response: To update this server group, you can delete the subscription to the configuration profiles with which the object is associated.

ANR3232E *command: Server group group name is a managed object and cannot be renamed.*

Explanation: The indicated server group is a managed object and cannot be renamed on the managed server.

System Action: The command fails and server operation continues.

User Response: To rename this server group, you can delete the subscription to the configuration profiles with which the object is associated.

ANR3233E *command: Command cannot be executed - server group group name is a managed object.*

Explanation: The specified command cannot be executed because it would alter the membership of the indicated managed server group.

System Action: The command fails and server operation continues.

User Response: None.

ANR3234E *command: Server server name is a managed object and cannot be deleted.*

Explanation: The indicated server is a managed object and cannot be deleted on the managed server.

System Action: The command fails and server operation continues.

User Response: To delete this object, you can delete the subscription to the configuration profiles with which the object is associated.

ANR3235E

command: Server *server name* is a managed object - one or more specified attributes cannot be updated.

Explanation: Because the indicated server is a managed object, certain attributes cannot be updated on the managed server. These attributes are: SERVERPASSWORD, HLADDRESS, LLADDRESS, COMMMETHOD, DESCRIPTION, URL, and ALLOWREPLACE.

System Action: The command fails and server operation continues.

User Response: You can restrict the update to attributes that can be updated on the managed server. For example, the PASSWORD, NODENAME, FORCESYNC, and DELGRACEPERIOD attributes can be updated, even if the server is a managed object. Alternatively, you can delete the subscription to the configuration profiles with which the object is associated, so that the server is no longer a managed object.

ANR3236W

Server *server name* is currently in use and cannot be discarded.

Explanation: This message is issued while processing a DELETE SUBSCRIPTION command with DISCARDOBJECTS=YES. The indicated server cannot be discarded on the managed server because *server name* is in use. This could occur if the managed server has an active connection to *server name* or if the managed server has a device class with DEVTYPE=SERVER that refers to *server name*.

System Action: Server *server name* is not deleted.

User Response: Before *server name* can be deleted, the managed server must not have a connection to that server and the managed server cannot have any device-class references to that server.

ANR3237W

Server *server name* is the event server and cannot be discarded.

Explanation: This message is issued while processing a DELETE SUBSCRIPTION command with DISCARDOBJECTS=YES. The indicated server cannot be discarded because it is the event server for the managed server.

System Action: Server *server name* is not deleted.

User Response: Before *server name* can be deleted, the DELETE EVENTSERVER command must be used to remove the event server reference to *server name*.

ANR3238E

command: This object cannot be renamed because it is associated with one or more configuration profiles.

Explanation: This message is issued on a configuration manager when an attempt is made to rename an object that is associated with one or more configuration profiles. Associated objects cannot be renamed because the enterprise configuration facility does not support renaming of objects.

System Action: The command fails and server operation continues.

User Response: If you must change the object name you can delete the object, define it with a new name, and then define a profile association to the new object (unless a wildcard profile association already exists). This will cause the object to be deleted and re-defined on managed servers with subscriptions to the profiles with which this object is associated.

ANR3350W

Locally defined domain *domain name* contains at least one node and cannot be replaced with a definition from the configuration manager.

Explanation: During configuration refresh processing the indicated locally defined domain could not be replaced with a definition from the configuration manager. The domain definition was not replaced because the domain still contains one or more assigned nodes.

System Action: Refresh processing continues, but this domain is not replaced. The system will attempt to replace the local domain during later configuration refresh operations.

User Response: If you want existing nodes to be assigned to the domain from the configuration manager, you can temporarily assign them to another domain. After the domain definition has successfully been propagated from the configuration manager, reassign the nodes to the new domain. Alternatively, if you want to prevent further attempts to replace the local domain definition during configuration refresh processing, delete the subscription to the profiles with which domain *domain name* is associated.

ANR3351W

Managed domain *domain name* contains at least one node and cannot be deleted during configuration refresh processing.

Explanation: During configuration refresh processing, the enterprise configuration facility attempted to remove the indicated domain because it has been deleted from the configuration manager or because the profile association no longer exists. The domain could not be deleted on the managed server because it still contains one or more nodes.

System Action: Refresh processing continues, but this domain is not deleted. The system will attempt to delete the domain during later configuration refresh operations.

User Response: Assign nodes in this domain to another domain. Alternatively, you can delete the subscription to the profiles with which domain *domain name* is associated.

ANR3352I **Locally defined domain *domain name* replaced during configuration refresh processing.**

Explanation: During configuration refresh processing, a local domain definition was replaced with a definition from the configuration manager. The system also deleted all policy sets, management classes, copy groups, and client schedules belonging to the locally defined domain and added definitions from the configuration manager.

System Action: None.

User Response: None.

ANR3353I **Managed domain *domain name* deleted during configuration refresh processing.**

Explanation: During configuration refresh processing, the indicated managed domain was removed from the managed server. This occurred either because the domain has been deleted from the configuration manager or because the profile association no longer exists. The system also deleted all policy sets, management classes, copy groups, and client schedules belonging to the managed domain.

System Action: None.

User Response: None.

ANR3354W **Locally defined administrative schedule *schedule name* is active and cannot be replaced with a definition from the configuration manager.**

Explanation: During configuration refresh processing the indicated locally defined administrative schedule could not be replaced with a definition from the configuration manager. The schedule definition was not replaced because the schedule is in the active state.

System Action: Refresh processing continues, but this administrative schedule is not replaced. The system will attempt to replace the local administrative schedule during later configuration refresh operations.

User Response: If you want this administrative schedule to be replaced with the schedule definition from the configuration manager, deactivate the local schedule using the Update Schedule command. After the administrative schedule definition has successfully been propagated from the configuration manager, you can activate the new schedule. Alternatively, if you want to prevent further attempts to replace the local schedule definition during configuration refresh processing, delete the subscription to the profiles with which the schedule name is associated.

ANR3355W **Managed administrative schedule *schedule name* is active and cannot be deleted during configuration refresh processing.**

Explanation: During configuration refresh processing, the enterprise configuration facility attempted to remove the indicated administrative schedule because it has been deleted from the configuration manager or because the profile association no longer exists. The schedule could not be deleted on the managed server because the schedule is in the active state.

System Action: Refresh processing continues, but this schedule is not deleted. The system will attempt to delete the administrative schedule during later configuration refresh operations.

User Response: If you want this administrative schedule to be deleted in accordance with changes that have been made on the configuration manager, deactivate the managed schedule using the Update Schedule command. Alternatively, if you want to prevent further attempts to delete the managed schedule definition during configuration refresh processing, delete the subscription to the profiles with which the schedule name is associated.

ANR3356I **Locally defined administrative schedule *schedule name* replaced during configuration refresh processing.**

Explanation: During configuration refresh processing, a local administrative schedule definition was replaced with a definition from the configuration manager.

System Action: None.

User Response: None.

ANR3357I **Managed administrative schedule *schedule name* deleted during configuration refresh processing.**

Explanation: During configuration refresh processing, the indicated managed administrative schedule was removed from the managed server. This occurred either because the schedule has been deleted from the configuration manager or because the profile association no longer exists.

System Action: None.

User Response: None.

ANR3358W **Locally defined administrator *administrator name* is the only system administrator and cannot be replaced with a definition from the configuration manager.**

Explanation: During configuration refresh processing the indicated locally defined administrator could not be replaced with a definition from the configuration

manager. The administrator definition was not replaced because it is the only system administrator and the definition from the configuration manager does not include system authority.

System Action: Refresh processing continues, but this administrator definition is not replaced. The system will attempt to replace the local administrator definition during later configuration refresh operations.

User Response: If you want this administrator definition to be replaced with a definition from the configuration manager, you can grant system authority to another administrator. Alternatively, if you want to prevent further attempts to replace the local administrator definition during configuration refresh processing, delete the subscription to the profiles with which administrator *administrator name* is associated.

ANR3359W

Managed system administrator *administrator name* is the only system administrator and cannot be deleted during configuration refresh processing.

Explanation: During configuration refresh processing, the enterprise configuration facility attempted to remove the indicated administrator because it has been deleted from the configuration manager or because the profile association no longer exists. The administrator could not be deleted on the managed server because it is the only system administrator.

System Action: Refresh processing continues, but this administrator is not deleted. The system will attempt to delete the administrator during later configuration refresh operations.

User Response: Grant system authority to another administrator. Alternatively, you can delete the subscription to the profiles with which administrator *administrator name* is associated.

ANR3360W

Managed system administrator *administrator name* is the only system administrator - authority cannot be revoked during configuration refresh processing.

Explanation: During configuration refresh processing, the enterprise configuration facility attempted to revoke authority for the indicated administrator because authority has been revoked on the configuration manager. The authority of the administrator could not be revoked on the managed server because this is the only system administrator.

System Action: Refresh processing continues, but authority is not revoked for this administrator. The system will attempt to revoke administrator during later configuration refresh operations.

User Response: Grant system authority to another administrator. Alternatively, you can delete the subscription to the profiles with which administrator *administrator name* is associated.

ANR3361I **Locally defined administrator *administrator name* replaced during configuration refresh processing.**

Explanation: During configuration refresh processing, a local administrator definition was replaced with a definition from the configuration manager.

System Action: None.

User Response: None.

ANR3362I **Managed administrator *administrator name* deleted during configuration refresh processing.**

Explanation: During configuration refresh processing, the indicated managed administrator was removed from the managed server. This occurred either because the administrator has been deleted from the configuration manager or because the profile association no longer exists.

System Action: None.

User Response: None.

ANR3363W **Managed administrator *administrator name* is currently accessing the server and cannot be deleted during configuration refresh processing.**

Explanation: During configuration refresh processing, the enterprise configuration facility attempted to remove the indicated administrator because it has been deleted from the configuration manager or because the profile association no longer exists. The administrator could not be deleted on the managed server because it currently has an active session with the server.

System Action: Refresh processing continues, but this administrator is not deleted. The system will attempt to delete the administrator during later configuration refresh operations.

User Response: Quit or cancel all sessions for the indicated administrator. Alternatively, you can delete the subscription to the profiles with which administrator *administrator name* is associated.

ANR3364W **Administrator *administrator name* has been removed. This administrator has defined or updated administrative schedules that will fail when executed.**

Explanation: This message is issued during configuration refresh processing or as a result of a DELETE SUBSCRIPTION command with the

DISCARDOBJECTS=YES option. The indicated managed administrator was removed from the server, but this administrator owns one or more administrative schedules. These schedules will fail when executed in the future because they do not belong to a valid administrator.

System Action: The indicated administrator was removed.

User Response: Use the QUERY SCHEDULE command OR an SQL SELECT statement on the ADMIN_SCHEDULES table to determine which schedules were last updated by the administrator. Use the UPDATE SCHEDULE command to update those schedules under an administrator that has authority to execute them, or use the DELETE SCHEDULE command to remove the schedules.

ANR3365I **Locally defined command script** *command script name* **replaced during configuration refresh processing.**

Explanation: During configuration refresh processing, a local command script definition was replaced with a definition from the configuration manager.

System Action: None.

User Response: None.

ANR3366I **Managed command script** *command script name* **deleted during configuration refresh processing.**

Explanation: During configuration refresh processing, the indicated managed command script was removed from the managed server. This occurred either because the script has been deleted from the configuration manager or because the profile association no longer exists.

System Action: None.

User Response: None.

ANR3367I **Locally defined option set** *option set name* **replaced during configuration refresh processing.**

Explanation: During configuration refresh processing, a local option set definition was replaced with a definition from the configuration manager.

System Action: None.

User Response: None.

ANR3368I **Managed option set *option set name* deleted during configuration refresh processing.**

Explanation: During configuration refresh processing, the indicated managed option set was removed from the managed server. This occurred either because the option set has been deleted from the configuration manager or because the profile association no longer exists.

System Action: None.

User Response: None.

ANR3369I **Locally defined server group *group name* replaced during configuration refresh processing.**

Explanation: During configuration refresh processing, a local server group definition was replaced with a definition from the configuration manager.

System Action: None.

User Response: None.

ANR3370I **Managed server group *group name* deleted during configuration refresh processing.**

Explanation: During configuration refresh processing, the indicated managed server group was removed from the managed server. This occurred either because the server group has been deleted from the configuration manager or because the profile association no longer exists.

System Action: None.

User Response: None.

ANR3371W **Server group *group name* cannot be defined during configuration refresh processing because a server already exists with this name.**

Explanation: During configuration refresh processing, the enterprise configuration facility attempted to define the indicated server group on a managed server. The server group could not be defined because a server definition with the same name already exists on the managed server.

System Action: Refresh processing continues, but this server group is not defined. The system will attempt to define the server group during later configuration refresh operations.

User Response: You can delete the subscription to the profile with which the indicated server group is associated or delete the conflicting server definition on the

managed server. Alternatively, you can rename the server group on the configuration manager, after first deleting the profile association for that server group.

ANR3372I **Locally defined server *server name* replaced during configuration refresh processing.**

Explanation: During configuration refresh processing, a local server definition was replaced with a definition from the configuration manager.

System Action: None.

User Response: None.

ANR3373I **Server *server name* deleted during configuration refresh processing.**

Explanation: During configuration refresh processing, the definition for managed object *server name* was removed from the managed server. This occurred either because *server name* has been deleted from the configuration manager or because the profile association no longer exists.

System Action: None.

User Response: None.

ANR3374I **Server group *group name* replaced with server *server name* during configuration refresh processing.**

Explanation: During configuration refresh processing, a server group definition was replaced with a server definition from the configuration manager. The server has the same name as the deleted server group.

System Action: None.

User Response: None.

ANR3375W **Server *server name* is currently in use cannot be deleted during configuration refresh processing.**

Explanation: During configuration refresh processing, the enterprise configuration facility attempted to remove the indicated server definition because it has been deleted from the configuration manager or because the profile association no longer exists. The indicated server could not be deleted on the managed server because *server name* is in use. This could occur if the managed server has an active connection to *server name* or if the managed server has a device class with DEVTYPE=SERVER that refers to *server name*.

System Action: Refresh processing continues, but this server definition is not deleted. The system will attempt to delete the server during later configuration refresh operations.

User Response: Before *server name* can be deleted, the managed server must not have a connection to that server and the managed server cannot have any device-class references to that server.

ANR3376W

Server *server name* is the event server and cannot be deleted during configuration refresh processing.

Explanation: During configuration refresh processing, the enterprise configuration facility attempted to remove the indicated server definition because it has been deleted from the configuration manager or because the profile association no longer exists. The indicated server could not be deleted on the managed server because it is the event server for the managed server.

System Action: Refresh processing continues, but this server definition is not deleted. The system will attempt to delete the server during later configuration refresh operations.

User Response: Before *server name* can be deleted, the DELETE EVENTSERVER command must be used to remove the event server reference to *server name*.

ANR3377W

Replacement of local server *server name* with a definition from the configuration manager is not allowed.

Explanation: During configuration refresh processing, the enterprise configuration facility attempted to replace the indicated server definition with a definition from the configuration manager. This operation could not be performed because ALLOWREPLACE=NO for the indicated server.

System Action: Refresh processing continues, but this server definition is not replaced. The system will attempt to replace the server definition during later configuration refresh operations.

User Response: Before the local server definition for *server name* can be replaced with a definition from the configuration manager, the UPDATE SERVER command must be used to set the ALLOWREPLACE attribute to ON.

ANR3470I

Command: Auditing enterprise configuration definitions.

Explanation: The server has started to audit database definitions used by the enterprise configuration facility.

System Action: Server database audit operation continues.

User Response: None.

ANR3471E *Audit command: Enterprise configuration global attributes are missing.*

Explanation: A database audit process finds that the global attributes used by the enterprise configuration facility are missing.

System Action: Audit processing continues.

User Response: Reissue the audit command with FIX=YES specified so that the enterprise configuration global attributes can be recreated.

ANR3472I *Audit command: Enterprise configuration global attributes are missing - attributes will be recreated using available database information or default values.*

Explanation: A database audit process finds that the global attributes used by the enterprise configuration facility are missing. Because FIX=YES has been specified on the AUDIT command, these attributes will be recreated using available information from the database or default values.

System Action: Audit processing continues.

User Response: When the audit completes, you can use the QUERY STATUS command to examine the values set for the enterprise configuration global attributes. Then use the appropriate SET command to change the attributes, if desired.

ANR3473E *Audit command: Enterprise configuration global attribute(s) are incorrect.*

Explanation: A database audit process finds that global attributes used by the enterprise configuration facility are incorrect.

System Action: Audit processing continues.

User Response: Reissue the audit command with FIX=YES specified so that the enterprise configuration global attributes can be corrected.

ANR3474I *Audit command: Enterprise configuration global attribute(s) are incorrect - attributes will be corrected using available database information or default values.*

Explanation: A database audit process finds that global attributes used by the enterprise configuration facility are incorrect. Because FIX=YES has been specified on the AUDIT command, these attributes will be corrected using available information from the database or default values.

System Action: Audit processing continues.

User Response: When the audit completes, you can use the QUERY STATUS command to examine the values set for the enterprise configuration global attributes. Then use the appropriate SET command to change the attributes, if desired.

ANR3475E *Audit command: Extraneous profile information found.*

Explanation: A database audit process finds extraneous configuration profile information.

System Action: Audit processing continues.

User Response: Reissue the audit command with FIX=YES so that the information is deleted.

ANR3476E *Audit command: Extraneous profile information found - information will be deleted.*

Explanation: A database audit process finds extraneous configuration profile information. Because FIX=YES has been specified for the audit command, the extraneous information will be deleted.

System Action: Audit processing continues.

User Response: None.

ANR3477E *Audit command: Profile information is inconsistent.*

Explanation: A database audit process detects inconsistent configuration profile information. This information can be corrected.

System Action: Audit processing continues.

User Response: Reissue the audit command with FIX=YES so that the information can be corrected.

ANR3478E *Audit command: Profile information is inconsistent - it will be corrected.*

Explanation: A database audit process detects inconsistent configuration profile information. Because FIX=YES has been specified for the audit command, the information will be corrected.

System Action: Audit processing continues.

User Response: None.

ANR3479E *Audit command: Profile association information is missing.*

Explanation: A database audit process detects missing profile association information. This information can be recreated.

System Action: Audit processing continues.

User Response: Reissue the audit command with FIX=YES so that the information can be recreated.

ANR3480E *Audit command: Profile association information is missing - it will be recreated.*

Explanation: A database audit process detects missing profile association information. Because FIX=YES has been specified for the audit command, the information will be recreated.

System Action: Audit processing continues.

User Response: None.

ANR3481E *Audit command: Extraneous profile association information found.*

Explanation: A database audit process finds extraneous profile association information.

System Action: Audit processing continues.

User Response: Reissue the audit command with FIX=YES so that the information is deleted.

ANR3482E *Audit command: Extraneous profile association information found - information will be deleted.*

Explanation: A database audit process finds extraneous profile association information. Because FIX=YES has been specified for the audit command, the extraneous information will be deleted.

System Action: Audit processing continues.

User Response: None.

ANR3483E *Audit command: Subscription information is inconsistent.*

Explanation: A database audit process detects inconsistent profile subscription information. This information can be corrected.

System Action: Audit processing continues.

User Response: Reissue the audit command with FIX=YES so that the information can be corrected.

ANR3484E *Audit command: Profile subscription information is inconsistent - it will be corrected.*

Explanation: A database audit process detects inconsistent profile subscription information. Because FIX=YES has been specified for the audit command, the information will be corrected.

System Action: Audit processing continues.

User Response: None.

ANR3485E

Audit command: Profile subscriptions were found to more than one configuration manager.

Explanation: A database audit process determines that a managed server has subscriptions to more than one configuration manager. This may cause the enterprise configuration facility to behave in an unpredictable manner.

System Action: Audit processing continues.

User Response: Delete subscriptions for all but one configuration manager. To do this, it may be necessary to delete subscriptions to all configuration managers and then define the desired subscriptions.

ANR3500I

Backup set for node *node name* as *set name* being generated.

Explanation: The named object set is being created for the specified node.

System Action: The server generates a backup set.

User Response: None.

ANR3501I

Backup set for *node name* as *set name* completed successfully - processed *files* files.

Explanation: The named object set was successfully created for the specified node. The number of files processed is specified.

System Action: None.

User Response: None.

ANR3502W

Backup set for *node name* as *set name* completed with file processing errors - processed *files* files with *error files* files skipped.

Explanation: The named object set was successfully created for the specified node. However, during processing errors were encountered accessing some files - these files were skipped.

System Action: None.

User Response: Evaluate other server messages for an indication of why the files were skipped. Files can be skipped because of failures locking those files or for other more serious problems. First, re-try the command and see if it completes without any skipped files. If you are unable to generate the backup set without skipping files, please contact your local service representative for assistance.

-
- ANR3503E** **Generation of backup set for *node name* as *set name* failed.**
- Explanation:** The named object for the specified node was not created. An error was encountered causing the creation of this object set not to complete successfully.
- System Action:** Server operation continues.
- User Response:** Evaluate other messages that were issued and try to determine the cause of the failure. After determining the cause of the failure, retry the command. If the cause can not be determined, please contact your local service representative.
- If ANR3504W was received, than an error occurred while logging the volumes used to the server volume history. It is possible to issue a DEFINE BACKUPSET listing these volumes. That would cause the server to create the necessary entries for this backup set on this server.
-
- ANR3504W** **Backup set for *node name* as *set name* was not able to log the volumes used for this operation to the server volume history.**
- Explanation:** The named object for the specified node was created. However, when the process attempted to add the volumes, used for this operation to the volume history for the server, an error occurred and this could not be completed.
- System Action:** Server operation continues.
- User Response:** Review other messages issued to determine which volumes where used for to generate this backup set. The volumes can be inserted into the server volume history for use by issuing a DEFINE BACKUPSET and listing these volumes. This will also allow this backup set to be queried from a client as well since there is not a server entry for this backup set. Only issue the DEFINE BACKUPSET if this generate backup set operation completed successfully.
-
- ANR3505I** **Backup set for *node name* as *set name* used volume *volume name*.**
- Explanation:** The named object for the specified node used the specified volume.
- System Action:** Server operation continues.
- User Response:** None.
-
- ANR3507I** **Cancel in progress**
- Explanation:** This message is displayed in response to a QUERY PROCESS command, and indicates that a generate backupset process has been canceled. The process will end shortly.
- System Action:** The process terminates and server operation continues.
- User Response:** None.
-

ANR3508W	<p>Generation of backup set for <i>node name</i> as <i>set name</i> failed - no filespaces to process.</p> <p>Explanation: The named object for the specified node was not created. No filespaces were available to process.</p> <p>System Action: Server operation continues.</p> <p>User Response: Reissue the command against a node that has filespaces associated with it. If no filespaces exist for a given node, than there is no file data to write to the backupset.</p>
<hr/>	
ANR3509E	<p>Command: Error encountered in accessing data storage - device class <i>device class name</i> is not defined.</p> <p>Explanation: During command <i>command</i> processing, an error occurred because the specified device class is not defined.</p> <p>System Action: The command <i>command</i> is ended and server operation continues.</p> <p>User Response: Make sure the specified device class is defined.</p>
<hr/>	
ANR3510E	<p>Command: Error encountered in accessing data storage - disk volume specified.</p> <p>Explanation: During command <i>command</i> processing, an error occurred because a specified volume is a disk volume rather than a tape volume.</p> <p>System Action: The command <i>command</i> is ended and server operation continues.</p> <p>User Response: Make sure that all volumes specified for the command <i>command</i> are tape volumes.</p>
<hr/>	
ANR3511E	<p>Command: Error encountered in accessing data storage - invalid volume name specified.</p> <p>Explanation: The server encounters an error in accessing data storage while processing command <i>command</i>. The error occurred because an attempt has been made to access a volume with an invalid name.</p> <p>System Action: The command <i>command</i> operation is ended and server operation continues.</p> <p>User Response: Issue the command with a valid volume name.</p>
<hr/>	
ANR3512E	<p>Command: Error encountered in accessing data storage - insufficient number of mount points available for removable media.</p> <p>Explanation: During command <i>command</i> processing, the server cannot allocate sufficient mount points.</p>

System Action: The command *command* operation is ended and server operation continues.

User Response: If necessary, make more mount points available.

ANR3513E

Command: Output error encountered in accessing data storage.

Explanation: The command *command* operation ends because an error has been encountered by the server in writing to a device. Possible reasons include:

- I/O error writing to a device
- No storage space.

System Action: The command *command* operation ends and server operation continues.

User Response: Query the activity log to find messages preceding this one to determine the cause of the error. After the problem is corrected, the command can be retried.

ANR3514E

Command: Data transfer was interrupted in accessing data storage.

Explanation: The database transaction associated with command *command* operation failed because data transfer to or from data storage was interrupted by an external event.

System Action: The command *command* operation is ended and server operation continues.

User Response: Examine the messages issued prior to this message to determine why the data transfer was interrupted. Reissue the command *command* after the problem is resolved.

ANR3515E

Command: Error encountered in accessing data storage - volume already in use.

Explanation: During command *command* processing, a volume cannot be used because it is already defined in a storage pool, or has been previously used by an export, database dump, or database backup operation (as recorded in the volume history) or is in use by another process.

System Action: The command *command* operation is ended and server operation continues.

User Response: Specify a volume that is not in use or defined in a storage pool, and that has not been previously used for an export, database dump, or database backup operation as recorded in the server volume history information. Use the QUERY VOLUME command to display the names of volumes that are defined to

server storage pools. Use the QUERY VOLHISTORY command to display the names of volumes that have been used for export, database dump, or database backup operations.

ANR3516E

Command: **Out of space on sequential media, scratch media could not be mounted.**

Explanation: During command *command* processing, the process encounters an out-of-space condition writing to the sequential media. Command *command* ends when there is no more space on the sequential media for storing data and SCRATCH=NO has been specified on command *command*.

System Action: Command *command* processing ends. Server processing continues.

User Response: Reissue the command and specify SCRATCH=YES or specify additional volume names on the command.

ANR3517E

Command: **Error encountered in accessing data storage - required volume was not mounted.**

Explanation: During command *command* processing, a required volume cannot be mounted. The mount request may have been canceled.

System Action: The command *command* operation is ended and server operation continues.

User Response: Issue the command again and make sure the necessary volumes are accessible.

ANR3518I

Command: **Processing canceled before completion.**

Explanation: The background process to service the command *command* has been canceled with the CANCEL PROCESS command.

System Action: Processing for the command *command* ends. Statistics on the number and type of objects moved, together with the total number of bytes copied, are displayed on the server console following this message.

User Response: None.

ANR3519E

Command: **Insufficient memory available in accessing data storage.**

Explanation: The server encounters a memory shortage in accessing data storage during command *command* operation.

System Action: The command *command* operation ends and server operation continues.

User Response: Allocate additional storage to the server. For details, issue HELP MEMORY to display the information online or see “Appendix A. Allocating Additional Server Memory”.

ANR3520E

Command: Internal error encountered in accessing data storage.

Explanation: The server encounters an internal error in accessing data storage while processing command *command* operation.

System Action: The command *command* operation is ended and server operation continues.

User Response: Use the QUERY ACTLOG command to examine messages prior to this error to determine the cause of the data storage failure. If the failure can be found and resolved, reissue the command *command* operation. If the failure cannot be found, contact your service representative for assistance in resolving the problem.

ANR3521W

BackupSet command: Data storage retrieve or restore failed - data integrity error detected.

Explanation: The server ends an backup set operation because an internal database integrity error has been encountered on the server.

System Action: The server ends the backup set operation and continues operation.

User Response: Contact your service representative.

ANR3522W

Command: Retrieve or restore failed - file was deleted from data storage during retrieval.

Explanation: The server ends a file retrieval operation for the specified command because the file has been deleted from data storage by another process before retrieval is complete.

System Action: The server ends the command and continues operation.

User Response: Contact your administrator to find out if DELETE FILESPACE, DELETE VOLUME, or inventory expiration processes are running; these processes can delete data storage files during retrieval. Reissue the command after these processes have been completed or canceled.

ANR3523W

Backup set command: Retrieve failed - error on input storage device.

Explanation: The server ends a backup set operation for the specified session because an I/O error has been encountered by the server in reading from a device. The object for which the I/O was issued is reported in a later message.

System Action: Backup set processing skips this file, and continues operation.

User Response: Query the activity log to find messages preceding this one that specify the device that is failing. Storage pool volumes can be varied offline (by using the VARY OFFLINE command), or the server may need to be shut down with the HALT command to correct the hardware problem.

ANR3524W *Backup set command: Transaction failed - data transfer interrupted.*

Explanation: The database transaction associated with a backup set operation failed because data transfer to or from data storage was interrupted by an external event.

System Action: The backup set operation is ended and server operation continues.

User Response: Examine the messages issued prior to this message to determine why the data transfer was interrupted. Attempt the backup set operation again after problem is resolved.

ANR3525W *Backup set command: Transaction failed - storage media inaccessible.*

Explanation: The server ends a transaction for an backup set operation because storage volumes are not available in the storage pools in which the client files are to be stored.

System Action: The server ends the backup set operation and server operation continues.

User Response: An authorized administrator can issue the DEFINE VOLUME command to add storage to one or more storage pools in the storage hierarchy. The VARY ONLINE command can be used to vary offline storage volumes online in the storage hierarchy to make them available for file storage.

ANR3526E *Backup set command: Error encountered in accessing data storage - volume cannot be used.*

Explanation: During backup set processing, a volume has been mounted but cannot be used.

System Action: The backup set operation is ended and server operation continues.

User Response: Query the activity log for messages preceding this one that give additional information. Make sure a usable volume is specified and mounted.

ANR3527E *Backup set command operation terminated - incomplete input volume list.*

Explanation: The list of volumes needed to process the command was incomplete. At least one volume needed for the operation is missing from the end of the list.

System Action: The command operation is ended.

User Response: Issue the command again and make sure the necessary volumes are included in the volume list.

ANR3528E

Backup set command: Media not accessible in accessing data storage.

Explanation: The server ends a transaction for a backup set operation because storage volumes are not available in the storage pools in which the client files are to be stored.

System Action: The server ends the backup set operation and server operation continues.

User Response: An authorized administrator can issue the DEFINE VOLUME command to add storage to one or more storage pools in the storage hierarchy. The VARY ONLINE command can be used to vary offline storage volumes online in the storage hierarchy to make them available for file storage.

ANR3529W

Generate backupset skipping damaged file on volume *volume name: Node node name, Type file type, File space filespace name, File name file name.*

Explanation: During generate backupset process, a file is encountered that was previously found to be damaged. If this file is part of an aggregate, the entire aggregate was previously marked damaged, possibly because an integrity error was detected for some other file within the aggregate.

System Action: The damaged file is not added to the backupset.

User Response: Audit the indicated volume with FIX=NO to verify that the file is damaged. The audit will reset the file status if the file is found to be undamaged during the audit. If the file is part of an aggregate, the audit will reset the aggregate status if the entire aggregate is found to be undamaged. If the file is reset to the undamaged state and it is important that the file be included in the backupset, rerun the generate backupset command. If, however, the audit does not clear the damaged state of the file and if this volume is in a primary storage pool that has previously been backed up to a copy storage pool, attempt to restore damaged files by using the RESTORE STGPOOL command. If it is still important that the file be included in the backupset, rerun the generate backupset command.

ANR3540E

Object set *set node:set name* **was not found for session** *session number, node.*

Explanation: The indicated session id requested to restore the object set. The object set was not found on the server.

System Action: The error is returned to the client.

User Response: None.

ANR3541E **Error error code occurred opening object set set node:set name for session session number, node.**

Explanation: An error occurred while opening the indicated object set.

System Action: An error is returned to the client.

User Response: Correct the problem reported by previous messages, if possible.

ANR3542E **Error error code occurred reading object set set node:set name for session session number, node.**

Explanation: An error occurred while reading the indicated object set.

System Action: An error is returned to the client.

User Response: Correct the problem reported by previous messages, if possible.

ANR3543E **Error error code occurred while sending entries from object set set node:set name for session session number, node.**

Explanation: An error occurred while sending entries for the indicated object set.

System Action: An error is returned to the client.

User Response: Correct the problem reported by previous messages, if possible.

ANR3550E **Definition of backup set set name for node name failed because it has an unknown format.**

Explanation: The named object for the specified node was not defined. It was generated on a server that is at a higher level than this server and contains data that cannot be properly interpreted by this server.

System Action: Server operation continues.

User Response: Define the object on a server that is compatible with the server that generated the object, or upgrade this server to be compatible with the server that generated the object.

ANR4000I *Dump command:* **Database dump process started.**

Explanation: The database dump process has started.

System Action: The server dumps the contents of the database to a file or removable media.

User Response: None.

ANR4001I	<i>Dump command: Database dump process completed.</i> Explanation: The database dump process has ended. System Action: The server completes processing. User Response: None.
ANR4002I	<i>Dump command: Database dump process terminated due to error (error indicator).</i> Explanation: The database dump process has ended prematurely due to an error. System Action: The server ends dump processing. User Response: Examine previously issued messages to determine if an error can be corrected, such as an output error. If you cannot resolve the error, contact your service representative.
ANR4003I	<i>Load command: Database load process started.</i> Explanation: The database load process has started. System Action: The server loads the contents of the database from a file or removable media. User Response: None.
ANR4004I	<i>Load command: Database load process completed.</i> Explanation: The database load process has ended. System Action: The server completes processing. User Response: None.
ANR4005E	<i>Load command: Database load process terminated due to error (error indicator).</i> Explanation: The database load process has ended prematurely due to an error. System Action: The server ends load processing. User Response: Examine previously issued messages to determine if an error can be corrected, such as a syntax error. If you cannot resolve the error, contact your service representative.

ANR4006I *Command: Volume volume number written by process is volume name.*

Explanation: A sequential data process wrote to the volume named in the series of one or more volumes that were used to store output. The volume's position in the series is indicated by the volume number reported.

System Action: The server ends processing.

User Response: None.

ANR4007E *Command: A transaction error was encountered in recording volume usage history.*

Explanation: The command process encounters a database transaction error in recording the names of the volumes used for the process in the server database.

System Action: The server ends processing.

User Response: Examine previously issued messages to determine if there is an error that can be corrected, such as a syntax error. If you cannot resolve the error, contact your service representative. The volumes used by the process are valid for the corresponding input process, but are not recorded in sequential volume history lists generated by the server.

ANR4008W *Load command: Database object object name does not exist.*

Explanation: The database load process attempts to delete a database object, but the object does not exist.

System Action: Database processing continues.

User Response: None.

ANR4009E *Load command: Database object object name cannot be deleted because it is in use by another process.*

Explanation: The database load process attempts to delete a database object, but the object is currently being used by another process.

System Action: Database processing ends.

User Response: Reissue the command. If it fails, contact your service representative.

ANR4010E *Dump/load command: Database dump/load processing failed - insufficient memory.*

Explanation: The database dump/load process fails due to insufficient memory.

System Action: Database processing ends.

User Response: Allocate additional storage to the server. There are two ways to do this:

- Increase the size of the server's virtual machine (for VM), or region size (for MVS). For AIX, ensure that there is sufficient paging space. You may also use SMIT to determine if the number of applications is causing a memory shortage. For OS/2, ensure that there is sufficient space for the OS/2 SWAPPER.DAT file. Check your CONFIG.SYS for the SWAPPATH statement to determine where your SWAPPER.DAT file is located and then determine how much space is left on the drive.
- Decrease the amount of space allocated to the server's database or log buffer pool. To do this, update the value of the BUFPOOLSIZE or LOGPOOLSIZE parameters in the server options file and restart the server. Note that each page causes an additional 4K page to be allocated for the specified buffer pool. Reducing the pool sizes requires more I/O to service the same amount of data; some performance degradation may result.

ANR4011W *Dump command: Database page page number is invalid - it will be skipped.*

Explanation: The specified page is invalid, and it will not be used during dump processing.

System Action: Processing continues.

User Response: None.

ANR4012W *Dump command: Database page page number is damaged.*

Explanation: The specified database page is damaged; it will not be dumped.

System Action: Processing continues.

User Response: None.

ANR4013I *Dump command: Dumped number of entries database entries (cumulative).*

Explanation: This message indicates the number of database entries that have been dumped so far during database dump processing.

System Action: Server processing continues.

User Response: None.

ANR4014E *Load command: The specified input volume does not contain a server database dump.*

Explanation: The specified volume does not contain a dump created from the database dump command.

System Action: Processing ends.

User Response: None.

ANR4015E *Load command: Invalid record format (format code) detected.*

Explanation: During processing of command *load command*, an invalid record type is detected when reading the dumped information from the dump media.

System Action: Processing of the command ends.

User Response: Examine the server messages issued prior to this message to determine the source of the error. On MVS or VM, the LOADDB command syntax may be specified by using a ddname or by specifying a device class name. You must use the same method that was used when the data base was originally dumped. If you did not, this error message will be displayed. Try loading the data base by using the other method of syntax (devclass). If the error cannot be isolated and resolved, contact your service representative.

ANR4016E *Load command: Invalid header sequence number detected in database dump. Expected expected sequence number; Actual actual sequence number.*

Explanation: During processing of command *load command*, an invalid sequence number is detected when reading the dumped information from the dump media.

System Action: Processing of the command ends.

User Response: Examine previously issued server messages to determine the source of the error. If the error cannot be isolated and resolved, contact your service representative.

ANR4017E *Load command: Invalid record type record type read from database dump data.*

Explanation: The server database load process encounters an invalid record in reading data from the dump media.

System Action: The database load process ends.

User Response: Examine previously issued server messages to determine the source of the error. If the error cannot be isolated and resolved, contact your service representative.

ANR4018E *Load command: Load processing failed - insufficient recovery log space.*

Explanation: The load process fails due to insufficient recovery log space.

System Action: Database load processing ends.

User Response: Reinstall the server and specify a larger recovery log and reissue the database load command.

-
- ANR4019E** *Load command: Load processing failed - insufficient database space.*
- Explanation:** The load process fails due to insufficient database space.
- System Action:** Load processing ends.
- User Response:** Reinstall the server and specify a larger database and reissue the database load command.
-
- ANR4020E** *Load command: Batch database insert failed.*
- Explanation:** The database load process fails when it attempts to insert a batch of rows into the database.
- System Action:** Database load processing ends.
- User Response:** Examine the messages issued prior to this one to determine if an error can be corrected. You may wish to reinstall the server with a new recovery log and database and reissue the load command. If the problem persists, contact your service representative.
-
- ANR4021E** *Dump/load command: Error (error code) occurred during an open operation.*
- Explanation:** An error occurs while attempting an open operation on the dump media for a database dump/load operation.
- System Action:** Server processing continues.
- User Response:** Refer to the other displayed messages to determine why the operation failed; correct the problem and restart the process.
-
- ANR4022E** *Dump command: Error (error code) occurred during a write operation.*
- Explanation:** The server database dump process encounters an error while writing to the dump media.
- System Action:** Server processing continues, the dump processing ends.
- User Response:** Refer to the other displayed messages to determine why the operation failed; correct the problem and restart the process.
-
- ANR4023E** *Load command: Error (error code) occurred during a read operation.*
- Explanation:** The server database load process encounters an error reading from the dump media.
- System Action:** The database load operation ends.
- User Response:** Refer to the other displayed messages to determine why the operation failed; correct the problem and restart the process.
-

ANR4025I **Dumped number of pages database pages, number of bit vectors bit vectors, and number of database entries database entries; number of bad pages bad database pages have been encountered; number of bytes copied.**

Explanation: This message is displayed in response to a QUERY PROCESS command executed against an online database dump process. The message displays information about the progress of the dump.

System Action: Database dump processing continues.

User Response: None. You may cancel the dump process with the CANCEL PROCESS command.

ANR4026I *Dump command: **Process process number, database dump has completed.***

Explanation: The online server database dump process started as process *process number* has completed.

System Action: Database dump processing ends.

User Response: None.

ANR4027I *Dump command: **Process process number, database dump was canceled.***

Explanation: The online server database dump process started as process *process number* has been canceled with the CANCEL PROCESS command.

System Action: Database dump processing ends.

User Response: None.

ANR4028I *Dump command: **Process process number, Database dump terminated due to an error (error code).***

Explanation: The online database dump process has ended prematurely due to an error.

System Action: The server ends dump processing.

User Response: Examine the messages issued prior to this message to see if an error can be corrected, such as output error. If you cannot resolve the error, contact your service representative.

ANR4029I *Dump command: **Database checkpoint started.***

Explanation: The database dump process is flushing updated database pages from the database buffer pool to stable storage so that they can be dumped.

System Action: Database dump processing continues.

User Response: None.

ANR4030I *Dump command: Database checkpoint completed.*

Explanation: The database dump process has flushed all updated pages from the database buffer pool to stable storage.

System Action: Database load processing continues.

User Response: None.

ANR4031I *Dump/load command: Copied number of pages database pages.*

Explanation: This message is displayed at the end of a server database dump or load command to indicate the number of database pages copied.

System Action: Database dump or load processing ends.

User Response: None.

ANR4032I *Dump/load command: Copied number of records database records.*

Explanation: This message is displayed at the end of a server database dump or load command to indicate the number of database records copied.

System Action: Database dump or load processing ends.

User Response: None.

ANR4033I *Dump/load command: Copied number of bit vectors bit vectors.*

Explanation: This message is displayed at the end of a server database dump or load command to indicate the number of database bit vectors copied.

System Action: Database dump or load processing ends.

User Response: None.

ANR4034I *Dump/load command: Encountered number of bit vectors bad database pages.*

Explanation: This message is displayed at the end of a server database dump or load command to indicate the number of invalid database pages that have been encountered.

System Action: Database dump or load processing ends.

User Response: None.

ANR4035I *Dump/load command: Encountered number of bit vectors bad database records.*

Explanation: This message is displayed at the end of a server database dump or load command to indicate the number of invalid database records that have been encountered.

System Action: Database dump or load processing ends.

User Response: None.

ANR4036I *Dump/load command: Copied number of bit vectors database entries.*

Explanation: This message is displayed at the end of a server database dump or load command to indicate the number of database entries that have been copied.

System Action: Database dump or load processing ends.

User Response: None.

ANR4037I *Dump/load command: number of bit vectors copied.*

Explanation: This message is displayed at the end of a server database dump or load command to indicate the number of bytes that have been copied.

System Action: Database dump or load processing ends.

User Response: None.

ANR4038I *Load command: Loading database information dumped on dump date at dump time.*

Explanation: At the beginning of a server database load process, this message indicates the date and time that the dump took place for the database information that is loaded into the server.

System Action: Database load processing continues.

User Response: None.

ANR4039I *Load command: Loaded number of entries database entries (cumulative).*

Explanation: This message indicates the number of database entries that have been loaded so far during database load processing.

System Action: Database load processing continues.

User Response: None.

ANR4040I *Audit command: Auditing client node and administrator definitions.*

Explanation: This message is displayed during a database audit and indicates that the client node and administrator definitions are being examined by the database audit process.

System Action: Audit processing continues.

User Response: None.

ANR4041I *Audit command: Node node name is assigned to Domain domain name, but not verified by server database policy entries.*

Explanation: A database audit process finds a node assigned to a policy domain that is not recorded properly in policy database entries.

System Action: Audit processing continues.

User Response: If FIX=YES has not been specified for the audit command, you may want to run this command again, and specify FIX=YES so that the audit process can correct the policy domain assignment for the node.

ANR4042I *Audit command: Node node name is assigned to Domain domain name, but not found in server database policy entries - attempting to assign the node to domain domain name.*

Explanation: A database audit process finds a node assigned to a policy domain that cannot be referenced in database policy entries. Because FIX=YES has been specified for the audit command, the audit function will attempt to correct the policy domain assignment for the node.

System Action: Audit processing continues.

User Response: When the audit command completes, you may want to check the domain assignment for this node, and reassign the node to a different policy domain, if desired.

ANR4043I *Audit command: Node node name assignment failed - will attempt to assign the node to domain domain name.*

Explanation: A database audit process finds a node assigned to a policy domain that cannot be located in database policy entries. Because FIX=YES has been specified for the audit command, the audit function is attempting to assign the node to an existing policy domain. The function attempts to assign the node to the domain name specified.

System Action: Audit processing continues.

User Response: When the audit command completes, you may want to check the domain assignment for this node, and reassign the node to a different policy domain, if desired.

ANR4044I *Audit command: Could not assign Node `node name` to a policy domain; use the UPDATE NODE command to assign a policy domain for this node.*

Explanation: A database audit process cannot find an appropriate policy domain for assigning the specified node.

System Action: Audit processing continues.

User Response: When the audit command completes, use the UPDATE NODE command to assign the specified node to an appropriate policy domain.

ANR4045I *Audit command: Invalid compression value encountered for node `node name`.*

Explanation: A database audit process encounters an invalid node compression value for the node indicated.

System Action: Audit processing continues.

User Response: If FIX=YES has not been specified for the audit command, you may want to run this command again, and specify FIX=YES so that the audit process can correct the problem.

ANR4046I *Audit command: Invalid compression value encountered for node `node name` the default value will be set.*

Explanation: A database audit process encounters an invalid node compression value for the node indicated. Because FIX=YES has been specified, the audit function sets the node's compression value to the default value.

System Action: Audit processing continues.

User Response: If you want the compression value for the specified node to be set to a value other than the default, use the UPDATE NODE command to change the value after the audit command has completed.

ANR4047I *Audit command: Invalid archive delete value encountered for node `node name`.*

Explanation: A database audit process encounters an invalid archive delete permission value for the node indicated.

System Action: Audit processing continues.

User Response: If FIX=YES has not been specified for the audit command, you may want to run this command again, and specify FIX=YES so that the audit process can correct the problem.

ANR4048I *Audit command: Invalid archive delete value encountered for node node name the default value will be set.*

Explanation: A database audit process encounters an invalid archive delete permission value for the node indicated. Because FIX=YES has been specified, the audit function sets the node's archive delete permission value to the default value.

System Action: Audit processing continues.

User Response: If you want the archive delete value for the specified node to be set to a value other than the default, use the UPDATE NODE command to change the value after the audit command has completed.

ANR4049I *Audit command: Invalid backup delete value encountered for node node name.*

Explanation: A database audit process encounters an invalid backup delete permission value for the node indicated.

System Action: Audit processing continues.

User Response: If FIX=YES has not been specified for the audit command, you may want to run this command again, and specify FIX=YES so that the audit process can correct the problem.

ANR4050I *Audit command: Invalid backup delete value encountered for node node name the default value will be set.*

Explanation: A database audit process encounters an invalid backup delete permission value for the node indicated. Because FIX=YES has been specified, the audit function sets the node's backup delete permission value to the default value.

System Action: Audit processing continues.

User Response: If you want the backup delete value for the specified node to be set to a value other than the default, use the UPDATE NODE command to change the value after the audit command has completed.

ANR4051I *Audit command: Invalid lock state encountered for node node name.*

Explanation: A database audit process encounters an invalid lock state value for the node indicated.

System Action: Audit processing continues.

User Response: If FIX=YES has not been specified for the audit command, you may want to run this command again, and specify FIX=YES so that the audit process can correct the problem.

ANR4052I *Audit command: Invalid lock state encountered for node *node name* the node will be unlocked.*

Explanation: A database audit process encounters an invalid lock state value for the node indicated. Because FIX=YES has been specified, the audit function sets the node's lock state to unlocked.

System Action: Audit processing continues.

User Response: If you want the lock state for the specified node to be set to a value other than unlocked, use the LOCK NODE command to change the value after the audit command has completed.

ANR4053I *Audit command: Invalid Node conversion state encountered for node *node name*.*

Explanation: A database audit process encounters an invalid Node conversion state value for the node indicated.

System Action: Audit processing continues.

User Response: If FIX=YES has not been specified for the audit command, you may want to run this command again, and specify FIX=YES so that the audit process can correct the problem. However, next time this node logs onto the server, the node conversion state will be reset.

ANR4054I *Audit command: Invalid Node conversion state encountered for node *node name* the node will be set as an ADSM Version 2 node.*

Explanation: A database audit process encounters an invalid Node conversion state value for the node indicated. Because FIX=YES has been specified, the audit function sets the node as an ADSM version 2 node.

System Action: Audit processing continues.

User Response: The specified node must use the ADSM Version 2 client program to access the server after the audit completes.

ANR4055I *Audit command: Invalid lock state encountered for administrator *administrator name*.*

Explanation: A database audit process encounters an invalid lock state value for the administrator indicated.

System Action: Audit processing continues.

User Response: If FIX=YES has not been specified for the audit command, you may want to run this command again, and specify FIX=YES so that the audit process can correct the problem.

-
- ANR4056I** *Audit command: Invalid lock state encountered for administrator administrator name the administrator will be unlocked.*
- Explanation:** A database audit process encounters an invalid lock state value for the administrator indicated. Because FIX=YES has been specified, the audit function sets the administrator's lock state to unlocked.
- System Action:** Audit processing continues.
- User Response:** If you want the lock state for the specified administrator to be set to a value other than unlocked, use the LOCK ADMIN command to change the value after the audit command has completed.
-
- ANR4057E** *Audit command: Administrative global attributes are missing.*
- Explanation:** A database audit process finds that the global attributes used for server administrative activities are missing.
- System Action:** Audit processing continues.
- User Response:** Reissue the audit command with FIX=YES specified so that the administrative global attributes can be recreated.
-
- ANR4058I** *Audit command: Administrative global attributes are missing - default values will be used to recreate the attributes.*
- Explanation:** A database audit process finds that the global attributes used for server administrative activities are missing. Because FIX=YES has been specified on the AUDIT command, default attribute values will be used to recreate the administrative global attributes.
- System Action:** Audit processing continues.
- User Response:** When the audit completes, you can use the QUERY STATUS command to examine the values set for the administrative global attributes, and use the appropriate SET command to change the attributes, if desired.
-
- ANR4059E** *Audit command: Administrative ID assignments are incorrect.*
- Explanation:** A database audit process finds that the global attributes used for server administrative activities are incorrect.
- System Action:** Audit processing continues.
- User Response:** Reissue the audit command with FIX=YES specified so that the administrative global attributes can be corrected.
-

ANR4060I *Audit command: Administrative ID assignments are incorrect - value(s) will be corrected.*

Explanation: A database audit process finds that the global attributes used for server administrative activities are incorrect. Because FIX=YES has been specified on the AUDIT command, the attribute value will be corrected in the server database.

System Action: Audit processing continues.

User Response: None.

ANR4061E *Audit command: Administrative global attribute(s) are incorrect.*

Explanation: A database audit process finds that the global attributes used for server administrative activities are incorrect.

System Action: Audit processing continues.

User Response: Reissue the audit command with FIX=YES specified so that the administrative global attributes can be corrected.

ANR4062I *Audit command: Administrative global attribute(s) are incorrect - default values will be set.*

Explanation: A database audit process finds that the global attributes used for server administrative activities are incorrect. Because FIX=YES has been specified on the AUDIT command, default attribute values will be used to correct the administrative global attributes.

System Action: Audit processing continues.

User Response: When the audit completes, you can use the QUERY STATUS command to examine the values set for the administrative global attributes, and use the appropriate SET command to change the attributes, if desired.

ANR4063E *Audit command: Client node node number not found in the server database.*

Explanation: A database audit process finds a client node reference that is not defined correctly in the server database.

System Action: Audit processing continues.

User Response: If the audit command has not been issued with FIX=YES specified, reissue the audit function specifying FIX=YES so that the error can be corrected.

ANR4064I *Audit command: Client node node number created as node node name assigned to policy domain domain name in the server database.*

Explanation: A database audit process finds a client node reference that is not defined correctly in the server database. Because FIX=YES has been specified for the audit command, the audit function creates a new node definition for the node with the name specified.

System Action: Audit processing continues.

User Response: After the AUDIT command completes, use the QUERY NODE command to examine the node that was added. Use the RENAME NODE command to rename the corrected node and the UPDATE NODE command to set attributes for the corrected node, such as its password. You can issue the QUERY FILESPACE command for the node, to determine which node and platform type was originally represented by the corrected node.

ANR4065E *Audit command: Administrator administrator number not found in the server database.*

Explanation: A database audit process finds an administrator reference that is not defined correctly in the server database.

System Action: Audit processing continues.

User Response: Reissue the audit command and specify FIX=YES so that the error can be corrected.

ANR4066I *Audit command: Administrator administrator number not found in the server database - reference will be removed.*

Explanation: A database audit process finds an administrator reference that is not defined correctly in the server database. The invalid reference will be removed from the database.

System Action: Audit processing continues.

User Response: After the audit command completes, review your administrator definitions with the QUERY ADMIN command. You can then use the REGISTER ADMIN and UPDATE ADMIN commands to change any definitions desired.

ANR4067E *Audit command: Domain domain name referenced by an administrator authority does not exist.*

Explanation: A database audit process finds a policy administrator reference to a policy domain that does not exist.

System Action: Audit processing continues.

User Response: Reissue the audit command and specify FIX=YES so that the error can be corrected.

ANR4068I

Audit command: Policy domain *domain name* referenced by an administrator authority does not exist - the authority will be removed.

Explanation: A database audit process finds a policy administrator reference to a policy domain that does not exist. Because FIX=YES has been specified, the authority will be removed.

System Action: Audit processing continues.

User Response: After the audit command completes, review your administrator definitions with the QUERY ADMIN command. You can then use the REGISTER ADMIN, UPDATE ADMIN, and GRANT AUTHORITY commands to change any definitions.

ANR4069E

Audit command: Storage pool *storage pool name* referenced by an administrator authority does not exist.

Explanation: A database audit process finds a storage administrator reference to a storage pool that does not exist.

System Action: Audit processing continues.

User Response: Reissue the audit command and specify FIX=YES so that the error can be corrected.

ANR4070I

Audit command: Storage pool *storage pool name* referenced by an administrator authority does not exist - the authority will be removed.

Explanation: A database audit process finds a policy administrator reference to a storage pool that does not exist. Because FIX=YES has been specified, the authority will be removed.

System Action: Audit processing continues.

User Response: After the audit command completes, review your administrator definitions with the QUERY ADMIN command. You can then use the REGISTER ADMIN, UPDATE ADMIN, and GRANT AUTHORITY commands to change any definitions.

ANR4071I

Audit command: Invalid sign-on attempts is not valid for *node/administrator name*.

Explanation: A database audit process encounters an invalid sign-on attempts value that is not valid for the node or administrator indicated.

System Action: Audit processing continues.

User Response: If FIX=YES has not been specified for the audit command, you may want to run this command again, and specify FIX=YES so that the audit process can correct the problem.

ANR4072I *Audit command: Invalid file aggregation information encountered for node node name.*

Explanation: A database audit process encounters invalid information used for controlling aggregation of files for the node indicated.

System Action: Audit processing continues.

User Response: If FIX=YES has not been specified for the audit command, you may want to run this command again, and specify FIX=YES so that the audit process can correct the problem.

ANR4073I *Audit command: Invalid file aggregation information encountered for node node name - information will be corrected.*

Explanation: A database audit process encounters invalid information used for controlling aggregation of files for the node specified. Because FIX=YES has been specified, the audit function corrects the information.

System Action: Audit processing continues.

User Response: None.

ANR4075I *Audit command: Auditing policy definitions.*

Explanation: This message is displayed during a database audit and indicates that the server policy information (domain, policy set, management classes, and copy groups) are being examined by the database audit process.

System Action: Audit processing continues.

User Response: None.

ANR4076E *Audit command: Invalid client node count detected for policy domain domain name.*

Explanation: A database audit process finds that the count of nodes recorded for the specified policy domain do not match the actual number of nodes assigned to the domain.

System Action: Audit processing continues.

User Response: Reissue the audit command and specify FIX=YES so that the error can be corrected.

ANR4077I *Audit command: Invalid client node count detected for policy domain domain name count will be corrected.*

Explanation: A database audit process finds that the count of nodes recorded for the specified policy domain do not match the actual number of nodes assigned to the domain. Because FIX=YES has been specified for the command, the node count will automatically be corrected.

System Action: Audit processing continues.

User Response: None.

ANR4078E *Audit command: Invalid activation indicators encountered for policy domain domain name.*

Explanation: A database audit process finds incorrect policy set activation entries for the specified policy domain.

System Action: Audit processing continues.

User Response: Reissue the audit command and specify FIX=YES so that the error can be corrected.

ANR4079I *Audit command: Invalid activation indicators encountered for policy domain domain name - entry will be corrected.*

Explanation: A database audit process finds incorrect policy set activation entries for the specified policy domain. Because FIX=YES has been specified for the audit command, the entry will be corrected.

System Action: Audit processing continues.

User Response: None.

ANR4080E *Audit command: Invalid grace period backup retention value encountered for policy domain domain name.*

Explanation: A database audit process finds an incorrect grace period retention value for the specified policy domain.

System Action: Audit processing continues.

User Response: Reissue the audit command and specify FIX=YES so that the error can be corrected.

-
- ANR4081I** *Audit command: Invalid grace period backup retention value encountered for policy domain domain name - default value will be set.*
- Explanation:** A database audit process finds an incorrect grace period retention value for the specified policy domain. Because FIX=YES has been specified for the audit command, the default value will be set.
- System Action:** Audit processing continues.
- User Response:** None.
-
- ANR4082E** *Audit command: Invalid grace period archive retention value encountered for policy domain domain name.*
- Explanation:** A database audit process finds an incorrect grace period retention value for the specified policy domain.
- System Action:** Audit processing continues.
- User Response:** Reissue the audit command and specify FIX=YES so that the error can be corrected.
-
- ANR4083I** *Audit command: Invalid grace period archive retention value encountered for policy domain domain name - default value will be set.*
- Explanation:** A database audit process finds an incorrect grace period retention value for the specified policy domain. Because FIX=YES has been specified for the audit command, the default value will be set.
- System Action:** Audit processing continues.
- User Response:** None.
-
- ANR4084E** *Audit command: Invalid administrator update information encountered for policy domain domain name.*
- Explanation:** A database audit process finds incorrect last updated information for the specified policy domain.
- System Action:** Audit processing continues.
- User Response:** Reissue the audit command and specify FIX=YES so that the error can be corrected.
-

ANR4085I *Audit command: Invalid administrator update information encountered for policy domain domain name - information will be corrected.*

Explanation: A database audit process finds incorrect last updated information for the specified policy domain. Because FIX=YES has been specified for the command, the information is corrected.

System Action: Audit processing continues.

User Response: None.

ANR4086E *Audit command: Invalid node node number found assigned to domain domain name.*

Explanation: A database audit process finds a node number assigned to a policy domain that does not reference a valid client node definition.

System Action: Audit processing continues.

User Response: Reissue the audit command and specify FIX=YES so that the error can be corrected.

ANR4087I *Audit command: Invalid node node number found assigned to domain domain name reference will be deleted.*

Explanation: A database audit process finds a node number assigned to a policy domain that does not reference a valid client node definition. Because FIX=YES has been specified for the audit command, the reference will be deleted.

System Action: Audit processing continues.

User Response: None.

ANR4088E *Audit command: Default management class management class name specified for policy set policy set name in domain domain name does not exist.*

Explanation: A database audit process finds a policy set with a default management class specified that does not exist.

System Action: Audit processing continues.

User Response: Reissue the audit command and specify FIX=YES so that the error can be corrected.

ANR4089I *Audit command: Default management class management class name specified for policy set policy set name in domain domain name does not exist - the reference will be removed.*

Explanation: A database audit process finds a policy set with a default management class specified that does not exist. Because FIX=YES has been specified for the audit command, the reference will be removed from the policy set.

System Action: Audit processing continues.

User Response: When the audit command completes, examine the policy set specified, and set a new default management class for the set. If the policy set is the ACTIVE policy set, you must activate a new policy set for the domain with a valid default management class.

ANR4090E *Audit command: Active Policy set for domain domain name does not contain a valid default management class - policy will fail for this domain. Please correct the ACTIVE policy set.*

Explanation: A database audit process finds an active policy set for the specified policy domain that does not have a valid active management class specified.

System Action: Audit processing continues.

User Response: When the audit command completes, you must activate a new policy set for the domain with a valid default management class.

ANR4091E *Audit command: Invalid administrator update information encountered for policy set set name in policy domain domain name.*

Explanation: A database audit process finds incorrect last updated information for the specified policy set.

System Action: Audit processing continues.

User Response: Reissue the audit command and specify FIX=YES so that the error can be corrected.

ANR4092I *Audit command: Invalid administrator update information encountered for policy set set name in policy domain domain name - information will be corrected.*

Explanation: A database audit process finds incorrect last updated information for the specified policy set. Because FIX=YES has been specified for the command, the information is corrected.

System Action: Audit processing continues.

User Response: None.

ANR4093E *Audit command: A management class identifier is not defined for management class **management class name** in policy set **set name**, domain **domain name**.*

Explanation: A database audit process finds incorrect information for the specified management class.

System Action: Audit processing continues.

User Response: Reissue the audit command and specify FIX=YES so that the error can be corrected.

ANR4094E *Audit command: A management class identifier is not defined for management class **management class name** in policy set **set name**, domain **domain name** - an identifier will be generated for this management class.*

Explanation: A database audit process finds incorrect information for the specified management class. The audit process generates an identifier, because FIX=YES has been specified for the audit command.

System Action: Audit processing continues.

User Response: None.

ANR4095E *Audit command: An invalid management class identifier (actual identifier) was encountered for management class **management class name** in policy set **set name**, domain **domain name** (expected **expected identifier**).*

Explanation: A database audit process finds incorrect information for the specified management class.

System Action: Audit processing continues.

User Response: Reissue the audit command and specify FIX=YES so that the error can be corrected.

ANR4096E *Audit command: An invalid management class identifier (actual identifier) was encountered for management class **management class name** in policy set **set name**, domain **domain name** (expected **expected identifier**) - the correct identifier will be stored.*

Explanation: A database audit process finds incorrect information for the specified management class. The audit process corrects the identifier, because FIX=YES has been specified for the audit command.

System Action: Audit processing continues.

User Response: None.

-
- ANR4097E** *Audit command: **Invalid administrator update information encountered for management class** *management class name* **in policy set** *set name* **in policy domain** *domain name*.*
- Explanation:** A database audit process finds incorrect last updated information for the specified management class.
- System Action:** Audit processing continues.
- User Response:** Reissue the audit command and specify FIX=YES so that the error can be corrected.
-
- ANR4098I** *Audit command: **Invalid administrator update information encountered for management class** *management class name* **in policy set** *set name* **in policy domain** *domain name* - **information will be corrected.***
- Explanation:** A database audit process finds incorrect last updated information for the specified management class. Because FIX=YES has been specified for the command, the information is corrected.
- System Action:** Audit processing continues.
- User Response:** None.
-
- ANR4099E** *Audit command: **Copy group** *copy group name* **in management class** *management class name*, **policy set** *set name*, **domain** *domain name* **has an invalid name or type.***
- Explanation:** A database audit process encounters a copy group that has an invalid name or copy group type.
- System Action:** Audit processing continues.
- User Response:** If FIX=YES has not been specified for the audit command, reissue the command specifying FIX=YES so that the error can be corrected.
-
- ANR4100I** *Audit command: **Attempting to reinsert the copy group as a BACKUP copy group.***
- Explanation:** A database audit process encounters a copy group that has an invalid name or copy group type. The process attempts to reinsert the definition as a backup copy group.
- System Action:** Audit processing continues.
- User Response:** None.
-

ANR4101I *Audit command: A backup copy group already exists - the invalid copy group will be deleted.*

Explanation: A database audit process encounters a copy group that has an invalid name or copy group type. While attempting to reinsert the copy group as a backup copy group, the process discovers that a backup copy group already exists for the management class. The copy group is deleted.

System Action: Audit processing continues.

User Response: After the audit command completes, you may examine the server copy groups using the QUERY COPYGROUP command, and correct them with the DEFINE COPYGROUP and UPDATE COPYGROUP commands if desired.

ANR4102I *Audit command: Attempting to reinsert the copy group as an ARCHIVE copy group.*

Explanation: A database audit process encounters a copy group that has an invalid name or copy group type. The process attempts to reinsert the definition as an archive copy group.

System Action: Audit processing continues.

User Response: None.

ANR4103I *Audit command: An archive copy group already exists - the invalid copy group will be deleted.*

Explanation: A database audit process encounters a copy group that has an invalid name or copy group type. While attempting to reinsert the copy group as an archive copy group, the process discovers that a backup copy group already exists for the management class. The copy group is deleted.

System Action: Audit processing continues.

User Response: After the audit command completes, you may examine the server copy groups using the QUERY COPYGROUP command, and correct them with the DEFINE COPYGROUP and UPDATE COPYGROUP commands, if desired.

ANR4104E *Audit command: An invalid management class identifier (actual identifier) was encountered for a copy group in management class *management class name*, policy set *set name*, domain *domain name* (expected *expected identifier*).*

Explanation: A database audit process finds incorrect information for the specified copy group.

System Action: Audit processing continues.

User Response: Reissue the audit command and specify FIX=YES so that the error can be corrected.

ANR4105E

Audit command: An invalid management class identifier (*actual identifier*) was encountered for a copy group in management class *management class name*, policy set *set name*, domain *domain name* (**expected** *expected identifier*) - the correct identifier will be stored.

Explanation: A database audit process finds incorrect information for the specified copy group. The audit process corrects the identifier, since FIX=YES has been specified for the audit command.

System Action: Audit processing continues.

User Response: None.

ANR4106E

Audit command: An invalid copy group identifier (*actual identifier*) was encountered for a copy group in management class *management class name*, policy set *set name*, domain *domain name* (**expected** *expected identifier*).

Explanation: A database audit process finds incorrect information for the specified copy group.

System Action: Audit processing continues.

User Response: For programming support, contact your service representative.

ANR4107E

Audit command: An invalid copy group identifier (*actual identifier*) was encountered for copy group name *copy group name* (**expected** *expected identifier*).

Explanation: A database audit process finds incorrect information for the specified copy group name.

System Action: Audit processing continues.

User Response: For programming support, contact your service representative.

ANR4108E

Audit command: Invalid backup copy group attributes encountered for copy group *copy group name* in management class *management class name*, policy set *set name*, domain *domain name*.

Explanation: A database audit process encounters invalid backup copy group attributes for the specified copy group.

System Action: Audit processing continues.

User Response: If FIX=YES has not been specified for the audit command, reissue the command specifying FIX=YES so that the inconsistency can be corrected.

ANR4109I

Audit command: Invalid backup copy group attributes encountered for copy group *copy group name* in management class *management class name*, policy set *set name*, domain *domain name* - the copy group will be corrected using default attributes.

Explanation: A database audit process encounters invalid backup copy group attributes for the specified copy group. Because FIX=YES has been specified for the command, the copy group will be corrected using default values for the attributes found in error.

System Action: Audit processing continues.

User Response: After the audit command completes, examine the copy group by using the QUERY COPYGROUP command, and correct attributes with the UPDATE COPYGROUP command, if desired.

ANR4110E

Audit command: Invalid archive copy group attributes encountered for copy group *copy group name* in management class *management class name*, policy set *set name*, domain *domain name*.

Explanation: A database audit process encounters invalid archive copy group attributes for the specified copy group.

System Action: Audit processing continues.

User Response: If FIX=YES has not been specified for the audit command, reissue the command and specify FIX=YES so that the inconsistency can be corrected.

ANR4111I

Audit command: Invalid archive copy group attributes encountered for copy group *copy group name* in management class *management class name*, policy set *set name*, domain *domain name* - the copy group will be corrected using default attributes.

Explanation: A database audit process encounters invalid archive copy group attributes for the specified copy group. Because FIX=YES has been specified for the command, the copy group will be corrected using default values for the attributes found in error.

System Action: Audit processing continues.

User Response: After the audit command completes, examine the copy group by using the QUERY COPYGROUP command, and correct the attributes with the UPDATE COPYGROUP command, if desired.

-
- ANR4112W** *Audit command: Storage pool storage pool name, specified as a destination for copy group copy group name in management class management class name, policy set set name, domain domain name, does not exists.*
- Explanation:** A database audit process encounters a storage pool specified for the destination of the specified copy group that is not defined in the server database. If this copy group is used in an active policy set, then backup or archive operations will fail when attempting to put client data in the destination.
- System Action:** Audit processing continues.
- User Response:** After the audit command completes, use the DEFINE STGPOOL command to define the missing storage pool or the UPDATE COPYGROUP command to update the copy group to refer to an existing storage pool.
-
- ANR4113E** *Audit command: Invalid administrator update information encountered for copy group copy group name in management class management class name, policy set set name, policy domain domain name.*
- Explanation:** A database audit process finds incorrect last updated information for the specified copy group.
- System Action:** Audit processing continues.
- User Response:** Reissue the audit command and specify FIX=YES so that the error can be corrected.
-
- ANR4114I** *Audit command: Invalid administrator update information encountered for copy group copy group name in management class management class name, policy set set name, policy domain domain name - information will be corrected.*
- Explanation:** A database audit process finds incorrect last updated information for the specified copy group. Because FIX=YES has been specified for the command, the information is corrected.
- System Action:** Audit processing continues.
- User Response:** None.
-
- ANR4115E** *Audit command: Policy domain domain name is referenced, but not formally defined.*
- Explanation:** A database audit process finds a reference to the specified policy domain, but the domain is not formally defined in the server database.
- System Action:** Audit processing continues.
- User Response:** Reissue the audit command and specify FIX=YES so that the error can be corrected.
-

ANR4116I

Audit command: Policy domain *domain name* is referenced, but not formally defined - a policy domain with default attributes will be defined with this name.

Explanation: A database audit process finds a reference to the specified policy domain, but the domain is not formally defined in the server database. Because FIX=YES has been specified, a new policy domain with this name will be defined by the audit processor.

System Action: Audit processing continues.

User Response: After the audit command has completed, you can view the attributes for this policy domain using the QUERY DOMAIN command, and update attributes with the UPDATE DOMAIN command, if desired.

ANR4117E

Audit command: Policy set *set name* in domain *domain name* is referenced, but not formally defined.

Explanation: A database audit process finds a reference to the specified policy set, but the set is not formally defined in the server database.

System Action: Audit processing continues.

User Response: Reissue the audit command and specify FIX=YES so that the error can be corrected.

ANR4118I

Audit command: Policy set *set name* in domain *domain name* is referenced, but not formally defined - a policy set with this name will be created.

Explanation: A database audit process finds a reference to the specified policy set, but the set is not formally defined in the server database. Because FIX=YES has been specified, the audit process will create a new policy set with this name.

System Action: Audit processing continues.

User Response: After the audit command has completed, you can view the attributes for this policy set by using the QUERY POLICYSET command, and update attributes with the UPDATE POLICYSET command, if desired.

ANR4119E

Audit command: Management class *class name* in policy set *set name*, domain *domain name* is referenced, but not formally defined.

Explanation: A database audit process finds a reference to the specified management class, but the class is not formally defined in the server database.

System Action: Audit processing continues.

User Response: Reissue the audit command and specify FIX=YES so that the error can be corrected.

ANR4120I *Audit command: Management class class name in policy set set name, domain domain name is referenced, but not formally defined - the management class will be created.*

Explanation: A database audit process finds a reference to the specified management class, but the class is not formally defined in the server database. Because FIX=YES has been specified for the audit command, the audit process defines a management class in the server with this name.

System Action: Audit processing continues.

User Response: After the audit command has completed, you can view the attributes for this management class by using the QUERY MGMTCLASS command, and update attributes with the UPDATE MGMTCLASS command, if desired.

ANR4122E *Audit command: The instance count for management class class name does not agree with the actual management class data (number of instances instances).*

Explanation: A database audit process finds a reference count for the specified management class that did not match the actual number of instances for this class.

System Action: Audit processing continues.

User Response: Reissue the audit command and specify FIX=YES so that the error can be corrected.

ANR4123I *Audit command: The instance count for management class class name does not agree with the actual management class data (number of instances instances) - the number will be corrected.*

Explanation: A database audit process finds a reference count for the specified management class that does not match the actual number of instances for this class. The audit process corrects the count because FIX=YES has been specified for the audit command.

System Action: Audit processing continues.

User Response: None.

ANR4124E *Audit command: The instance count for copy group copy group name does not agree with the actual copy group data (number of instances instances).*

Explanation: A database audit process finds a reference count for the specified copy group that does not match the actual number of instances for this copy group.

System Action: Audit processing continues.

User Response: Reissue the audit command and specify FIX=YES so that the error can be corrected.

ANR4125I *Audit command: The instance count for copy group `copy group name` does not agree with the actual copy group data (number of instances instances) - the number will be corrected.*

Explanation: A database audit process finds a reference count for the specified copy group that does not match the actual number of instances for this copy group. The audit process corrects the count because FIX=YES has been specified for the audit command.

System Action: Audit processing continues.

User Response: None.

ANR4126E *Audit command: Policy global attributes cannot be found.*

Explanation: A database audit process is not able to locate the global attributes for policy information in the server database.

System Action: Audit processing continues.

User Response: Reissue the audit command and specify FIX=YES so that the error can be corrected.

ANR4127I *Audit command: Policy global attributes cannot be found - attributes will recreated.*

Explanation: A database audit process is not able to locate the global attributes for policy information in the server database. Because FIX=YES has been specified for the audit command, the attributes will be regenerated.

System Action: Audit processing continues.

User Response: None.

ANR4128E *Audit command: Policy global high-water marks do not match the identifiers in use.*

Explanation: A database audit process finds the attributes used to track policy identifiers are incorrect.

System Action: Audit processing continues.

User Response: Reissue the audit command and specify FIX=YES so that the error can be corrected.

ANR4129E *Audit command: Policy global high-water marks do not match the identifiers in use - they will be corrected.*

Explanation: A database audit process finds the attributes used to track policy identifiers are incorrect. Because FIX=YES has been specified for the audit command, the attributes will be corrected.

System Action: Audit processing continues.

User Response: None.

ANR4130W *Audit Volume updating object information for volume **volume name:** Node **node name**, Type **file type**, File space **filespace name**, File Name **file name**.*

Explanation: As the result of an AUDIT VOLUME command that specified FIX=YES for the volume shown, object information for the specified file will be updated.

System Action: The object information is updated.

User Response: None.

ANR4131W *Audit Volume found incorrect object information for volume **volume name:** Node **node name**, Type **file type**, File space **filespace name**, File name **file name**.*

Explanation: As the result of an AUDIT VOLUME command that specified FIX=NO for the volume shown, object information for the specified file is found to be in error.

System Action: None.

User Response: None.

ANR4132I *Audit volume process ended for volume **volume name**; **file count** files inspected, **file count** damaged files deleted, **file count** damaged files marked as damaged, **file count** objects updated.*

Explanation: The AUDIT VOLUME command specifying FIX=YES for the volume shown has ended. The number of files audited, the number of inconsistent files deleted or marked as damaged, and the number of updated objects are displayed. The number of files marked as damaged includes all files belonging to aggregates that were marked damaged during the audit. Files are marked as damaged in primary storage pools and not deleted when backup copies for the files are known to exist in COPY storage pools.

System Action: None.

User Response: To recover files that have been marked as damaged on the volume, use the RESTORE STGPOOL or RESTORE volume command.

ANR4133I **Audit volume process ended for volume** *volume name*; *file count* **files inspected, file count damaged files found and marked as damaged, file count objects need updating.**

Explanation: The AUDIT VOLUME command specifying FIX=NO for the volume shown has ended. The number of files audited, the number of inconsistent files found, and the number of files with incorrect object information are displayed. The number of files marked damaged includes all files belonging to aggregates that were marked damaged during the audit. Inconsistent files are marked as damaged in the database and can be recovered by using the RESTORE STGPOOL or RESTORE VOLUME command if copies of the files reside in a COPY storage pool. Another AUDIT VOLUME command may be able to access the files and reset the damaged indicator in the database if the audit volume process cannot access the files due to hardware problems (for example, dirty tape heads).

System Action: None.

User Response: If you suspect that files were inaccessible because of hardware problems such as dirty tape heads, correct the hardware problem and reissue the AUDIT VOLUME FIX=NO command for this volume. To remove damaged file references and update the object information, issue the AUDIT VOLUME command and specify FIX=YES.

ANR4135I *Audit command:* **Auditing central scheduler definitions.**

Explanation: This message is displayed during a database audit and indicates that the server scheduling information is examined by the database audit process.

System Action: Audit processing continues.

User Response: None.

ANR4136I *Audit command:* **Auditing server inventory.**

Explanation: This message is displayed during a database audit and indicates that server information about client file spaces is currently being examined by the database audit process.

System Action: Audit processing continues.

User Response: None.

ANR4137I *Audit command:* **Auditing inventory file spaces.**

Explanation: This message is displayed during a database audit and indicates that server information about client file spaces is currently being examined by the database audit process.

System Action: Audit processing continues.

User Response: None.

ANR4138I *Audit command: Auditing inventory backup objects.*

Explanation: This message is displayed during a database audit and indicates that server information about client backup objects is currently being examined by the database audit process.

System Action: Audit processing continues.

User Response: None.

ANR4139I *Audit command: Auditing inventory archive objects.*

Explanation: This message is displayed during a database audit and indicates that server information about client archive objects is currently being examined by the database audit process.

System Action: Audit processing continues.

User Response: None.

ANR4140I *Audit command: Database audit process started.*

Explanation: This message is displayed during a database audit and indicates that the audit process has started.

System Action: Audit processing continues.

User Response: None.

ANR4141I *Audit command: Database audit process completed.*

Explanation: This message is displayed during a database audit and indicates that the database audit has successfully completed.

System Action: Audit processing ends.

User Response: None.

ANR4142I *Audit command: Database audit process terminated in error.*

Explanation: This message is displayed during a database audit and indicates that the audit process ended prematurely due to an internal server database error.

System Action: Audit processing ends.

User Response: Examine the messages issued prior to this one to see if the error can be corrected. If the situation cannot be resolved, contact your service representative.

ANR4143E *Audit command: Central scheduler global attributes cannot be found.*

Explanation: A database audit process cannot locate the global attributes for scheduling information in the server database.

System Action: Audit processing continues.

User Response: Reissue the audit command and specify FIX=YES so that the error can be corrected.

ANR4144I *Audit command: Central scheduler global attributes cannot be found - attributes will be recreated.*

Explanation: A database audit process cannot locate the global attributes for scheduler information in the server database. Because FIX=YES has been specified for the audit command, the attributes will be regenerated.

System Action: Audit processing continues.

User Response: None.

ANR4145E *Audit command: One or more central scheduler attributes are incorrect.*

Explanation: A database audit process finds that the global attributes used for server scheduling activities are incorrect.

System Action: Audit processing continues.

User Response: Reissue the audit command and specify FIX=YES so that the administrative global attributes can be corrected.

ANR4146I *Audit command: One or more central scheduler global attribute(s) are incorrect - default values will be set.*

Explanation: A database audit process finds that the global attributes used for server scheduling activities are incorrect. Because FIX=YES has been specified on the AUDIT command, default attribute values will be used to correct the scheduling global attributes.

System Action: Audit processing continues.

User Response: When the audit completes, you can use the QUERY STATUS command to examine the values set for the administrative global attributes, and use the appropriate SET command to change the attributes, if desired.

ANR4147E *Audit command: Policy domain domain name referenced by schedule schedule name does not exist.*

Explanation: A database audit process finds a schedule that references a policy domain that is not defined in the server database.

System Action: Audit processing continues.

User Response: Reissue the audit command and specify FIX=YES so that the administrative global attributes can be corrected.

ANR4148I *Audit command: Policy domain domain name referenced by schedule schedule name does not exist - the schedule will be deleted.*

Explanation: A database audit process finds a schedule that references a policy domain that is not defined in the server database. Because FIX=YES has been specified for the audit command, the specified schedule will be deleted from the server database.

System Action: Audit processing continues.

User Response: None.

ANR4149E *Audit command: One or more attributes for schedule schedule name in policy domain domain name are incorrect.*

Explanation: A database audit process finds one or more invalid attributes for the specified schedule.

System Action: Audit processing continues.

User Response: Reissue the audit command and specify FIX=YES so that the administrative global attributes can be corrected.

ANR4150I *Audit command: One or more attributes for schedule schedule name in policy domain domain name are incorrect - default values will be set.*

Explanation: A database audit process finds one or more invalid attributes for the specified schedule. Because FIX=YES has been specified for the audit command the invalid attributes will be set to default values.

System Action: Audit processing continues.

User Response: When the audit completes, you can use the QUERY SCHEDULE command to examine the values set for the schedule, and use the UPDATE SCHEDULE command to change any attributes desired.

ANR4151E *Audit command: Schedule **schedule name** in policy domain **domain name** not found, but is referenced by a client node.*

Explanation: A database audit process finds a schedule reference from a client node for a schedule that is not defined in the server database.

System Action: Audit processing continues.

User Response: Reissue the audit command and specify FIX=YES so that the administrative global attributes can be corrected.

ANR4152I *Audit command: Schedule **schedule name** in policy domain **domain name** not found, but is referenced by a client node - the schedule association will be deleted.*

Explanation: A database audit process finds a schedule reference from a client node for a schedule that is not defined in the server database. Because FIX=YES has been specified for the audit command, the schedule association will be deleted from the server database.

System Action: Audit processing continues.

User Response: None.

ANR4153E *Audit command: Schedule **schedule name** in policy domain **domain name** references a client node that does not exist.*

Explanation: A database audit process finds a schedule that references a client node that is not defined in the server database.

System Action: Audit processing continues.

User Response: Reissue the audit command and specify FIX=YES so that the administrative global attributes can be corrected.

ANR4154I *Audit command: Schedule **schedule name** in policy domain **domain name** references a client node that does not exist - the node reference will be deleted.*

Explanation: A database audit process finds a schedule that references a client node that is not defined in the server database. Because FIX=YES has been specified for the audit command, the reference will be removed from the server database.

System Action: Audit processing continues.

User Response: None.

-
- ANR4155E** *Audit command: Invalid administrator update information encountered for a schedule assignment.*
- Explanation:** A database audit process finds incorrect last updated information for a schedule-node assignment.
- System Action:** Audit processing continues.
- User Response:** Reissue the audit command and specify FIX=YES so that the error can be corrected.
-
- ANR4156I** *Audit command: Invalid administrator update information encountered for a schedule assignment - information will be corrected.*
- Explanation:** A database audit process finds incorrect last updated information for a schedule-node assignment. Because FIX=YES has been specified for the command, the information is corrected.
- System Action:** Audit processing continues.
- User Response:** None.
-
- ANR4157E** *Audit command: Scheduling callback address is registered for a client node that does not exist.*
- Explanation:** A database audit process finds a server-prompted-scheduling callback address for a node that does not exist.
- System Action:** Audit processing continues.
- User Response:** Reissue the audit command and specify FIX=YES so that the error can be corrected.
-
- ANR4158I** *Audit command: Scheduling callback address is registered for a client node that does not exist - callback information will be deleted.*
- Explanation:** A database audit process finds a server-prompted-scheduling callback address for a node that does not exist. Because FIX=YES has been specified for the command, the callback information will be deleted from the server database.
- System Action:** Audit processing continues.
- User Response:** None.
-

ANR4159I *Audit command: An inventory authorization rule specifies an invalid node (node ID) or file space (filespace ID) - the rule will be deleted.*

Explanation: A database audit process finds that either a node ID or file space ID is invalid for an authorization rule. Since FIX=YES has been specified, the invalid authorization rule will be deleted.

System Action: Audit processing continues.

User Response: None.

ANR4160I *Audit command: An inventory authorization rule specifies an invalid node (node ID) or file space (filespace ID).*

Explanation: A database audit process finds that either a node ID or file space ID is invalid for an authorization rule.

System Action: Audit processing continues.

User Response: Reissue the audit command and specify FIX=YES so that the error can be corrected.

ANR4161I *Audit command: Inventory global attributes could not be found - they will be created.*

Explanation: A database audit process cannot find the inventory global attributes. Because FIX=YES has been specified for the command, the information is corrected by the creation of the global attributes.

System Action: Audit processing continues.

User Response: None.

ANR4162I *Audit command: Inventory global attributes could not be found.*

Explanation: A database audit process cannot find the inventory global attributes.

System Action: Audit processing continues.

User Response: Reissue the audit command and specify FIX=YES so that the error can be corrected.

ANR4163I *Audit command: Invalid object ID high-water mark encountered for inventory global attributes - the value will be corrected.*

Explanation: A database audit process finds that the object ID high-water mark for the inventory global attributes is invalid. Because FIX=YES has been specified for the command, the object ID high-water mark is determined by the current inventory and set accordingly.

System Action: Audit processing continues.

User Response: None.

ANR4164I *Audit command: Invalid object ID high-water mark encountered for inventory global attributes.*

Explanation: A database audit process finds that the object ID high-water mark for the inventory global attributes is invalid.

System Action: Audit processing continues.

User Response: Reissue the audit command and specify FIX=YES so that the error can be corrected.

ANR4165I *Audit command: An inventory node assignment entry was not found for node node ID - an entry will be created.*

Explanation: A database audit process cannot find the node assignment entry corresponding to the specified node. Since FIX=YES has been specified for the command, the required inventory entry will be created using default values.

System Action: Audit processing continues.

User Response: None.

ANR4166I *Audit command: An inventory node assignment entry was not found for node node ID.*

Explanation: A database audit process cannot find the node assignment entry corresponding to the specified node.

System Action: Audit processing continues.

User Response: Reissue the audit command and specify FIX=YES so that the error can be corrected.

ANR4167I *Audit command: The file space high-water mark for node node ID is incorrect - the value will be corrected.*

Explanation: A database audit process finds that a file space high-water mark is incorrect for the specified node ID. Since FIX=YES has been specified for the command, the information is corrected.

System Action: Audit processing continues.

User Response: None.

ANR4168I *Audit command: The file space high-water mark for node node ID is incorrect.*

Explanation: A database audit process finds that a file space high-water mark is incorrect for the specified node ID.

System Action: Audit processing continues.

User Response: Reissue the audit command and specify FIX=YES so that the error can be corrected.

ANR4169I *Audit command: The file space high-water mark for node node ID is incorrect - the value will be corrected.*

Explanation: A database audit process finds that an authorization rule high-water mark is incorrect for the specified node ID. Since FIX=YES has been specified for the command, the information is corrected.

System Action: Audit processing continues.

User Response: None.

ANR4170I *Audit command: The authorization rule high-water mark for node node ID is incorrect.*

Explanation: A database audit process finds that an authorization rule high-water mark is incorrect for the specified node ID.

System Action: Audit processing continues.

User Response: Reissue the audit command and specify FIX=YES so that the error can be corrected.

ANR4171I *Audit command: Primary backup entry for an expiring object (object.ID) cannot be found - the expiring object entry will be deleted.*

Explanation: A database audit process cannot find the primary backup entry for the specified expiring object. Because FIX=YES has been specified for the command, the information is corrected by deleting the expiring object entry.

System Action: Audit processing continues.

User Response: None.

ANR4172I *Audit command: Primary backup entry for an expiring object (object.ID) cannot be found.*

Explanation: A database audit process cannot find the primary backup entry for the specified expiring object.

System Action: Audit processing continues.

User Response: Reissue the audit command and specify FIX=YES so that the error can be corrected.

ANR4173I *Audit command: Primary archive entry for an expiring object (object.ID) cannot be found - the expiring object entry will be deleted.*

Explanation: A database audit process cannot find the primary archive entry for the specified expiring object. Because FIX=YES has been specified for the command, the information is corrected by deleting the expiring object entry.

System Action: Audit processing continues.

User Response: None.

ANR4174I *Audit command: Primary archive entry for an expiring object (object.ID) cannot be found.*

Explanation: A database audit process cannot find the primary archive entry for the specified expiring object.

System Action: Audit processing continues.

User Response: Reissue the audit command and specify FIX=YES so that the error can be corrected.

ANR4175I *Audit command: Invalid copy type encountered for an expiring objects entry (object.ID) - the expiring object entry will be deleted.*

Explanation: A database audit process finds that the copy type for the specified expiring object is invalid. Because FIX=YES has been specified for the command, the information is corrected by deleting the expiring object entry. The entry will be recreated later if it is necessary.

System Action: Audit processing continues.

User Response: None.

ANR4176I *Audit command: Invalid copy type encountered for an expiring objects entry (object.ID).*

Explanation: A database audit process finds that the copy type for the specified expiring object is invalid.

System Action: Audit processing continues.

User Response: Reissue the audit command and specify FIX=YES so that the error can be corrected.

ANR4177I *Audit command: Primary backup entry for an object (object.ID) cannot be found - entry will be deleted.*

Explanation: A database audit process cannot find the specified primary backup object. Because FIX=YES has been specified for the command, the entry is deleted.

System Action: Audit processing continues.

User Response: None.

ANR4178I *Audit command: Primary backup entry for an object (object.ID) cannot be found.*

Explanation: A database audit process cannot find the specified primary backup object.

System Action: Audit processing continues.

User Response: Reissue the audit command and specify FIX=YES so that the error can be corrected.

ANR4179I *Audit command: Primary archive entry for an object (object.ID) cannot be found - entry will be deleted.*

Explanation: A database audit process cannot find the specified primary archive object. Because FIX=YES has been specified for the command, the entry is deleted.

System Action: Audit processing continues.

User Response: None.

ANR4180I *Audit command: Primary archive entry for an object (object.ID) cannot be found.*

Explanation: A database audit process cannot find the specified primary archive object.

System Action: Audit processing continues.

User Response: Reissue the audit command and specify FIX=YES so that the error can be corrected.

ANR4181I *Audit command: Invalid copy type encountered for object object.ID - object found as a backup object - correcting the invalid copy type*

Explanation: A database audit process encounters an invalid copy type for the specified object ID but finds a corresponding backup object for the entry. Because FIX=YES has been specified for the command, the invalid copy type is corrected.

System Action: Audit processing continues.

User Response: None.

ANR4182I *Audit command: Invalid copy type encountered for object **object.ID** - object found as an archive object - correcting the invalid copy type*

Explanation: A database audit process encounters an invalid copy type for the specified object ID but finds a corresponding archive object for the entry. Because FIX=YES has been specified for the command, the invalid copy type is corrected.

System Action: Audit processing continues.

User Response: None.

ANR4183I *Audit command: Invalid copy type encountered for object **object.ID** - primary archive entry created for object using default values.*

Explanation: A database audit process encounters an invalid copy type for the specified object ID and is unable to find corresponding primary backup or primary archive objects. Because FIX=YES has been specified for the command, a primary archive entry is created using default values.

System Action: Audit processing continues.

User Response: None.

ANR4184I *Audit command: Invalid copy type encountered for object **object.ID**.*

Explanation: A database audit process encounters an invalid copy type for the specified object ID and is unable to find corresponding primary backup or primary archive objects.

System Action: Audit processing continues.

User Response: Reissue the audit command and specify FIX=YES so that the error can be corrected.

ANR4185I *Audit command: Object entry for backup object **object.ID** not found - entry will be created.*

Explanation: A database audit process cannot find an object entry for the specified backup object. Because FIX=YES has been specified for the command, an object entry is created using default values.

System Action: Audit processing continues.

User Response: None.

ANR4186I *Audit command: Object entry for backup object `object.ID` not found.*

Explanation: A database audit process cannot find an object entry for the specified backup object.

System Action: Audit processing continues.

User Response: Reissue the audit command and specify `FIX=YES` so that the error can be corrected.

ANR4187I *Audit command: Inventory object fields for object `object.ID` do not match the primary backup entry - the object will be updated.*

Explanation: A database audit process determines that the object fields for the specified object ID do not match the fields for the corresponding primary backup object. Because `FIX=YES` has specified for the command, the incorrect object fields will be corrected.

System Action: Audit processing continues.

User Response: None.

ANR4188I *Audit command: Inventory object fields for object `object.ID` do not match the primary backup entry.*

Explanation: A database audit process determines that the object fields for the specified object ID do not match the fields for the corresponding primary backup object.

System Action: Audit processing continues.

User Response: Reissue the audit command and specify `FIX=YES` so that the error can be corrected.

ANR4189I *Audit command: Expiring entry for inactive backup object `object.ID` not found - the entry will be created.*

Explanation: A database audit process cannot find an expiring entry for the specified inactive backup entry. Because `FIX=YES` has been specified for the command, an expiring entry will be created.

System Action: Audit processing continues.

User Response: None.

ANR4190I *Audit command: Expiring entry for inactive backup object `object.ID` not found.*

Explanation: A database audit process cannot find an expiring entry for the specified inactive backup entry.

System Action: Audit processing continues.

User Response: Reissue the audit command and specify FIX=YES so that the error can be corrected.

ANR4191I *Audit command: Object entry for archive object `object.ID` not found - entry will be created.*

Explanation: A database audit process cannot find an object entry for the specified archive object. Because FIX=YES has been specified for the command, the information is corrected by creating an object entry.

System Action: Audit processing continues.

User Response: None.

ANR4192I *Audit command: Object entry for archive object `object.ID` not found.*

Explanation: A database audit process cannot find an object entry for the specified archive object.

System Action: Audit processing continues.

User Response: Reissue the audit command and specify FIX=YES so that the error can be corrected.

ANR4193I *Audit command: Inventory object fields for object `object.ID` do not match the primary archive entry - the object will be updated.*

Explanation: A database audit process determines that the object fields for the specified object ID do not match the fields for the corresponding primary archive object. Because FIX=YES has been specified for the command, the incorrect object fields will be corrected.

System Action: Audit processing continues.

User Response: None.

ANR4194I *Audit command: Inventory object fields for object `object.ID` do not match the primary archive entry.*

Explanation: A database audit process determines that the object fields for the specified object ID do not match the fields for the corresponding primary archive object.

System Action: Audit processing continues.

User Response: Reissue the audit command and specify FIX=YES so that the error can be corrected.

ANR4195I *Audit command: Expiring entry for archive object `object.ID` not found - the entry will be created.*

Explanation: A database audit process cannot find an expiring entry for the specified archive object. Because FIX=YES has been specified for the command, an expiring entry will be created.

System Action: Audit processing continues.

User Response: None.

ANR4196I *Audit command: Expiring entry for archive object `object.ID` not found.*

Explanation: A database audit process cannot find an expiring entry for the specified archive object.

System Action: Audit processing continues.

User Response: Reissue the audit command and specify FIX=YES so that the error can be corrected.

ANR4197I *Audit command: File space entry `filespace ID` not found for node `node ID`.*

Explanation: A database audit process cannot find a file space entry for the specified node.

System Action: Audit processing continues.

User Response: Reissue the audit command and specify FIX=YES so that the error can be corrected.

ANR4198I *Audit command: File space entry `filespace ID` not found for node `node name` - an entry will be created.*

Explanation: A database audit process cannot find a file space entry for the specified node. Because FIX=YES has been specified for the command, a file space entry has been created.

System Action: Audit processing continues.

User Response: None.

ANR4199I *Audit command: File space entry `filespace ID` not found for node `node name` - unable to create an entry.*

Explanation: A database audit process cannot find a file space entry for the specified node. Because FIX=YES has been specified for the command, the audit process has attempted to create a file space entry but is not successful.

System Action: Audit processing continues.

User Response: Contact your system administrator.

ANR4200I *Audit command: Expiring entry node ID and file space filespace ID does not match the object entry for object ID object.ID - the entry will be deleted.*

Explanation: A database audit process determines that the specified expiring object entry does not match the corresponding object entry for the specified object ID. Because FIX=YES has been specified for the command, the expiring object entry is deleted.

System Action: Audit processing continues.

User Response: None.

ANR4201I *Audit command: Expiring entry node ID and file space filespace ID does not match the object entry for object ID object.ID.*

Explanation: A database audit process determines that the specified expiring object entry does not match the corresponding object entry for the specified object ID.

System Action: Audit processing continues.

User Response: Reissue the audit command and specify FIX=YES so that the error can be corrected.

ANR4202I *Audit command: The base date for expiration processing of entry object.ID is not valid - the entry will be deleted.*

Explanation: A database audit process determines that the specified expiring object has a date that is not valid. Because FIX=YES has been specified for the command, the expiring object entry is deleted.

System Action: Audit processing continues.

User Response: None.

ANR4203I *Audit command: The base date for expiration processing of object object.ID is not valid.*

Explanation: A database audit process determines that the specified expiring object has a date value that is not valid.

System Action: Audit processing continues.

User Response: Reissue the audit command and specify FIX=YES so that the error can be corrected.

ANR4204I *Audit command: One or more date values for a backup entry *object.ID* is not valid.*

Explanation: A database audit process determines that one or more of the date values is improperly formatted or contains incorrect information for the specified backup object.

System Action: Audit processing continues.

User Response: Contact your system administrator.

ANR4205I *Audit command: The insertion date value for archive entry *object.ID* is not valid.*

Explanation: A database audit process determines that the insertion date for the specified archive object is improperly formatted or contains incorrect information.

System Action: Audit processing continues.

User Response: Contact your system administrator.

ANR4206I *Audit command: Object entry for expiring object *object.ID* not found - expiring object entry will be deleted.*

Explanation: A database audit process cannot find an object entry corresponding to the specified expiring object. Because FIX=YES has been specified for the command, the expiring object entry for the specified object ID is deleted.

System Action: Audit processing continues.

User Response: None.

ANR4207I *Audit command: Object entry for expiring object *object.ID* not found.*

Explanation: A database audit process cannot find an object entry corresponding to the specified expiring object.

System Action: Audit processing continues.

User Response: Reissue the audit command and specify FIX=YES so that the error can be corrected.

ANR4208I *Audit command: An inventory node assignment entry is not valid for node *node ID* - the entry will be deleted.*

Explanation: A database audit process finds that a node assignment entry for the specified node ID is not valid. Since FIX=YES has been specified for the command, the required inventory entry is deleted.

System Action: Audit processing continues.

User Response: None.

ANR4209I *Audit command: An inventory node assignment entry was not found for node node ID.*

Explanation: A database audit process finds that a node assignment entry for the specified node ID is not valid.

System Action: Audit processing continues.

User Response: Reissue the audit command and specify FIX=YES so that the error can be corrected.

ANR4210I *Audit command: Auditing physical volume repository definitions.*

Explanation: This message is displayed during a database audit and indicates that the physical volume repository definitions are being examined by the database audit process.

System Action: Audit processing continues.

User Response: None.

ANR4211I *Audit command: Drive entry library name for library drive name in the physical volume repository is invalid.*

Explanation: A database audit process finds that a drive entry is missing a corresponding library entry.

System Action: Audit processing continues.

User Response: Reissue the audit command and specify FIX=YES so that the error can be corrected.

ANR4212I *Audit command: An object entry for library library name and drive drive name in the physical volume repository is invalid - the entry will be deleted.*

Explanation: A database audit process finds that a drive entry is missing a corresponding library entry. Because FIX=YES has been specified for the command, the invalid drive entry is deleted.

System Action: Audit processing continues.

User Response: None.

ANR4213I *Audit command: A device type for library library name and drive drive name in the physical volume repository is invalid.*

Explanation: A database audit process finds that a device type for the specified library and drive is invalid.

System Action: Audit processing continues.

User Response: Contact the system administrator so that appropriate action may be taken.

ANR4214I *Audit command: A drive model for library library name and drive drive name in the physical volume repository is invalid.*

Explanation: A database audit process finds that the drive model for the specified library and drive is invalid.

System Action: Audit processing continues.

User Response: Contact the system administrator so that appropriate action may be taken.

ANR4215I *Audit command: An object entry for library library name and volume volume name in the physical volume repository is invalid.*

Explanation: A database audit process finds that a library inventory entry is missing a corresponding library entry.

System Action: Audit processing continues.

User Response: Reissue the audit command and specify FIX=YES so that the error can be corrected.

ANR4216I *Audit command: An object entry for library library name and volume volume name in the physical volume repository is invalid - the entry will be deleted.*

Explanation: A database audit process finds that a library inventory entry is missing a corresponding library entry. Because FIX=YES has been specified for the command, the invalid library inventory entry is deleted.

System Action: Audit processing continues.

User Response: None.

ANR4217I *Audit command: The volume status for library **library name** and volume **volume name** in the physical volume repository is invalid.*

Explanation: A database audit process finds that the volume status for the specified library and volume is set to scratch. This is incorrect because storage services has a volume name for the library and volume indicating that it should have a volume status of private.

System Action: Audit processing continues.

User Response: Reissue the audit command and specify FIX=YES so that the error can be corrected.

ANR4218I *Audit command: The volume status for library **library name** and volume **volume name** in the physical volume repository is invalid - the volume status will be changed to private.*

Explanation: A database audit process finds that the volume status for the specified library and volume is set to scratch. This is incorrect because storage services has a volume name for the library and volume which indicates that it should have a volume status of private. Because FIX=YES has been specified for the command, the incorrect volume status is set to private.

System Action: Audit processing continues.

User Response: None.

ANR4219I *Audit command: A library type specified for library **library name** in the physical volume repository is invalid.*

Explanation: A database audit process finds that the library type for the specified library is invalid.

System Action: Audit processing continues.

User Response: Reissue the audit command and specify FIX=YES so that the error can be corrected.

ANR4220I *Audit command: A library type specified for library **library name** in the physical volume repository is invalid - the library type has been changed to the default of library type default.*

Explanation: A database audit process finds that the library type for the specified library is invalid. Because FIX=YES has been specified for the command, the information is corrected by changing the library type to the default type.

System Action: Audit processing continues.

User Response: None.

ANR4221I *Audit command: An error (error code) was found with archive description for node (node identifier), description (description), objects (old object count,new object count), count (old directory count,new directory count) - entry will be deleted or updated.*

Explanation: A database audit process has found an error with the specified archive description. Because FIX=YES has been specified for the command, the entry is deleted or updated.

System Action: Audit processing continues.

User Response: None.

ANR4222I *Audit command: An error (error code) was found with archive description for node (node identifier), description (description), objects (old object count,new object count), count (old directory count,new directory count).*

Explanation: A database audit process has found an error with the specified archive description.

System Action: Audit processing continues.

User Response: Reissue the audit command and specify FIX=YES so that the error can be corrected.

ANR4223I *Audit command: An error (error code) was found with converted archive object for node (node identifier), description (description identifier), object (object.ID), filespace (filespace identifier) - entry will be deleted.*

Explanation: A database audit process has found an error with the specified converted archive object. Because FIX=YES has been specified for the command, the entry is deleted.

System Action: Audit processing continues.

User Response: None.

ANR4224I *Audit command: An error (error code) was found with converted archive object for node (node identifier), description (description identifier), object (object.ID), filespace (filespace identifier).*

Explanation: A database audit process has found an error with the specified converted archive object.

System Action: Audit processing continues.

User Response: Reissue the audit command and specify FIX=YES so that the error can be corrected.

ANR4225I *Audit command: table entry for archive object (object.ID), node (node identifier), description (description), filespace (filespace identifier) not found - the entry will be created.*

Explanation: A database audit process cannot find a converted *table* table entry for the specified archive object. Because FIX=YES has been specified for the command, an entry will be created.

System Action: Audit processing continues.

User Response: None.

ANR4226I *Audit command: table entry for archive object (object.ID), node (node identifier), description (description), filespace (filespace identifier) not found.*

Explanation: A database audit process cannot find a converted *table* table entry for the specified archive object.

System Action: Audit processing continues.

User Response: Reissue the audit command and specify FIX=YES so that the error can be corrected.

ANR4227E *Audit command: Inconsistent information detected for file aggregate (Aggregate.ID).*

Explanation: A database audit process finds inconsistent information for a file aggregate. This problem cannot be corrected by the audit process, but the file data is not deleted.

System Action: Audit processing continues.

User Response: Contact your service representative.

ANR4228E *Audit command: Missing or incorrect information detected for file aggregate (Aggregate.ID).*

Explanation: A database audit process detects missing or incorrect information for a file aggregate. This information can be corrected.

System Action: Audit processing continues.

User Response: Reissue the audit command and specify FIX=YES so that the error can be corrected.

ANR4229E	<p><i>Audit command: Missing or incorrect information detected for file aggregate (Aggregate.ID) - It will be corrected.</i></p> <p>Explanation: A database audit process detects missing or incorrect information for a file aggregate. Because FIX=YES has been specified for the audit command, the error will be corrected.</p> <p>System Action: Audit processing continues.</p> <p>User Response: None.</p>
<hr/>	
ANR4230I	<p><i>Audit command: Auditing data storage definitions.</i></p> <p>Explanation: This message is displayed during a database audit and indicates that the data storage definitions are being examined by the database audit process.</p> <p>System Action: Audit processing continues.</p> <p>User Response: None.</p>
<hr/>	
ANR4231E	<p><i>Audit command: Invalid device class strategy strategy for device class device class name.</i></p> <p>Explanation: A database audit process finds a device class with an invalid access strategy.</p> <p>System Action: Audit processing continues.</p> <p>User Response: Reissue the audit command with FIX=YES so that the access strategy can be corrected.</p>
<hr/>	
ANR4232E	<p><i>Audit command: Invalid device class strategy strategy for device class device class name - information will be corrected.</i></p> <p>Explanation: A database audit process finds a device class with an invalid access strategy. Because FIX=YES has been specified for the audit command, the access strategy will be corrected for this device class.</p> <p>System Action: Audit processing continues.</p> <p>User Response: None.</p>
<hr/>	
ANR4233E	<p><i>Audit command: Pool ID information is missing or incorrect for storage pool storage pool name.</i></p> <p>Explanation: A database audit process finds a storage pool whose pool ID information is missing or incorrect.</p> <p>System Action: Audit processing continues.</p>

User Response: Reissue the audit command with FIX=YES so that the access strategy can be corrected.

ANR4234E

Audit command: **Pool ID information is missing or incorrect for storage pool storage pool name - information will be created or corrected.**

Explanation: A database audit process finds a storage pool whose pool ID information is missing or incorrect. Because FIX=YES has been specified for the audit command, the pool ID information will be created or corrected for this storage pool.

System Action: Audit processing continues.

User Response: None.

ANR4235E

Audit command: **Device class ID referenced by storage pool storage pool name is not defined - data in this pool may not be available.**

Explanation: A database audit process finds a storage pool which references a device class ID which is not defined.

System Action: Audit processing continues.

User Response: Contact your service representative.

ANR4236E

Audit command: **An invalid access strategy was encountered for storage pool storage pool name.**

Explanation: A database audit process encounters an invalid device access strategy for the specified storage pool.

System Action: Audit processing continues.

User Response: Reissue the audit command with FIX=YES so that the attribute can be corrected.

ANR4237E

Audit command: **An invalid access strategy was encountered for storage pool storage pool name - the strategy will be corrected.**

Explanation: A database audit process encounters an invalid device access strategy for the specified storage pool. Because FIX=YES has been specified for the command, the storage pool access strategy will be corrected.

System Action: Audit processing continues.

User Response: After the audit command completes, examine the storage pool using the QUERY STGPOOL command, and verify that the correct information is displayed for this storage pool.

ANR4238E *Audit command: Storage pool storage pool name specifies an undefined pool ID for its next storage pool.*

Explanation: The specified storage pool references an invalid pool ID as its next storage pool.

System Action: Audit processing continues.

User Response: Use the UPDATE STGPOOL command to update the next pool. Alternatively, if the audit command is reissued with FIX=YES, the reference to the next pool will be deleted.

ANR4239E *Audit command: Storage pool storage pool name specifies an undefined pool ID for its next storage pool - reference will be deleted.*

Explanation: The specified storage pool references an invalid pool ID as its next storage pool. Because FIX=YES has been specified for the command, the reference is deleted. The specified storage pool will not have a next pool.

System Action: Audit processing continues.

User Response: After the audit command completes, use the UPDATE STGPOOL command to assign a next storage pool, if desired.

ANR4240E *Audit command: An invalid attribute was encountered for storage pool storage pool name.*

Explanation: A database audit process encounters an invalid attribute for the specified storage pool.

System Action: Audit processing continues.

User Response: Reissue the audit command with FIX=YES so that the attribute can be corrected.

ANR4241E *Audit command: An invalid attribute was encountered for storage pool storage pool name - the attribute will be assigned its default value.*

Explanation: A database audit process encounters an invalid attribute for the specified storage pool. Because FIX=YES has been specified for the command, the storage pool will be corrected using the default value for the attribute.

System Action: Audit processing continues.

User Response: After the audit command completes, examine the storage pool using the QUERY STGPOOL command, and correct attributes with the UPDATE STGPOOL command, if desired.

-
- ANR4242E** *Audit command: Invalid administrator update information encountered for storage pool storage pool name.*
- Explanation:** A database audit process finds incorrect information pertaining to the last update for the specified storage pool.
- System Action:** Audit processing continues.
- User Response:** Reissue the audit command and specify FIX=YES so that the error can be corrected.
-
- ANR4243E** *Audit command: Invalid administrator update information encountered for storage pool storage pool name - information will be corrected.*
- Explanation:** A database audit process finds incorrect information pertaining to the last update for the specified storage pool. Because FIX=YES has been specified for the command, the information is corrected.
- System Action:** Audit processing continues.
- User Response:** None.
-
- ANR4244E** *Audit command: Storage pool ID referenced by volume volume name is not defined - data on this volume may not be available.*
- Explanation:** A database audit process finds a data storage volume which references a storage pool ID that is not defined.
- System Action:** Audit processing continues.
- User Response:** You can attempt to move data on the specified volume to other volumes using the MOVE DATA command; then delete the specified volume and redefine it. If this does not work, contact your service representative.
-
- ANR4245E** *Audit command: An invalid access strategy was encountered for volume volume name.*
- Explanation:** A database audit process encounters an invalid device access strategy for the specified volume.
- System Action:** Audit processing continues.
- User Response:** Reissue the audit command with FIX=YES so that the strategy can be corrected.
-

ANR4246E *Audit command: An invalid access strategy was encountered for volume *volume name* - the strategy will be corrected.*

Explanation: A database audit process encounters an invalid device access strategy for the specified volume. Because FIX=YES has been specified for the command, the access strategy will be corrected for this volume.

System Action: Audit processing continues.

User Response: None.

ANR4247E *Audit command: Missing information for volume *volume name* cannot be created. Delete the volume after optionally moving any files from the volume.*

Explanation: A database audit process encounters missing database information for the specified volume. Since FIX=YES has been specified for the audit command, an attempt is made to create the missing information where possible. However, some of the information cannot be created, and the volume must be deleted.

System Action: The access mode for the volume is set to UNAVAILABLE to prevent further attempts to write to this volume. Audit processing continues.

User Response: After audit processing completes, an administrator should take the following actions to eliminate the volume

- (Optional) Use the UPDATE VOLUME command to set the access mode for the volume to READWRITE. It may then be possible to use the MOVE DATA command to move files from the volume so that these files can be accessed by the server.
- (Required) Use the DELETE VOLUME command to delete the volume from the database.

ANR4248E *Audit command: Missing or incorrect information for storage volume *volume name*.*

Explanation: A database audit process finds a data storage volume for which information is missing or incorrect.

System Action: Audit processing continues.

User Response: Reissue the audit command with FIX=YES so that the information can be created or corrected.

-
- ANR4249E** *Audit command: Missing or incorrect information for storage volume *volume name* - information will be created or corrected.*
- Explanation:** A database audit process finds a data storage volume for which information is missing or incorrect. Since FIX=YES has been specified for the audit command, the information will be created or corrected.
- System Action:** Audit processing continues.
- User Response:** None.
-
- ANR4250E** *Audit command: Extraneous reference found.*
- Explanation:** A database audit process finds a reference to a nonexistent entity such as a storage pool or volume.
- System Action:** Audit processing continues.
- User Response:** Reissue the audit command with FIX=YES so that the information is deleted.
-
- ANR4251E** *Audit command: Extraneous reference found - information will be deleted.*
- Explanation:** A database audit process finds a reference to a nonexistent entity such as a storage pool or volume. Since FIX=YES has been specified for the audit command, the extraneous information will be deleted.
- System Action:** Audit processing continues.
- User Response:** None.
-
- ANR4252E** *Audit command: Data storage global attributes cannot be found.*
- Explanation:** A database audit process is not able to locate the global attributes for data storage in the server database.
- System Action:** Audit processing continues.
- User Response:** Reissue the audit command and specify FIX=YES so that the error can be corrected.
-
- ANR4253E** *Audit command: Data storage global attributes cannot be found - attributes will be recreated.*
- Explanation:** A database audit process is not able to locate the global attributes for data storage in the server database. Because FIX=YES has been specified for the audit command, the attributes will be regenerated.
- System Action:** Audit processing continues.
-

User Response: None.

ANR4254E *Audit command: Data storage high-water marks do not match the identifiers in use.*

Explanation: A database audit process finds that the information used to track data storage identifiers is incorrect.

System Action: Audit processing continues.

User Response: Reissue the audit command and specify FIX=YES so that the error can be corrected.

ANR4255E *Audit command: Data storage high-water marks do not match the identifiers in use - they will be corrected.*

Explanation: A database audit process finds that the information used to track data storage identifiers is incorrect. Because FIX=YES has been specified for the audit command, the error will be corrected.

System Action: Audit processing continues.

User Response: None.

ANR4256I *Audit command: Auditing data storage definitions for disk volumes.*

Explanation: This message is displayed during a database audit and indicates that the database information relating to data storage disk volumes is being examined by the database audit process.

System Action: Audit processing continues.

User Response: None.

ANR4257E *Audit command: A correctable data-integrity error was detected on volume volume name.*

Explanation: A database audit process finds a data-integrity error for a file stored on the specified volume. This error is correctable.

System Action: Audit processing continues.

User Response: Reissue the audit command and specify FIX=YES so that the error can be corrected.

-
- ANR4258E** *Audit command: A data-integrity error was detected on volume *volume name* - the error will be corrected.*
- Explanation:** A database audit process finds a correctable data-integrity error for a file stored on the specified volume. Because FIX=YES has been specified for the audit command, the error will be corrected.
- System Action:** Audit processing continues.
- User Response:** None.
-
- ANR4259E** *Audit command: Invalid data encountered for a file in data storage - data can be corrected.*
- Explanation:** A database audit process finds invalid data for a file in data storage. The error should be correctable.
- System Action:** Audit processing continues.
- User Response:** Reissue the audit command and specify FIX=YES so that the error can be corrected.
-
- ANR4260E** *Audit command: Invalid data encountered for a file in data storage - the error will be corrected.*
- Explanation:** A database audit process finds invalid data for a file in data storage. Because FIX=YES has been specified for the audit command, the error will be corrected.
- System Action:** Audit processing continues.
- User Response:** None.
-
- ANR4261E** *Audit command: Invalid access information was encountered for volume *volume name*.*
- Explanation:** A database audit process encounters invalid access information for the specified volume.
- System Action:** Audit processing continues.
- User Response:** After audit processing has completed, use the UPDATE VOLUME command to set the access information for this volume. Or reissue the audit command with FIX=YES, which sets access to the default value.
-

ANR4262E *Audit command: Invalid access information was encountered for volume *volume name* - the information will be corrected.*

Explanation: A database audit process encounters invalid access information for the specified volume. Because FIX=YES has been specified for the command, the information will be corrected by setting the default value.

System Action: Audit processing continues.

User Response: After audit processing has completed, use the UPDATE VOLUME command to set the access information for this volume, if desired.

ANR4263I *Audit command: Auditing data storage definitions for sequential volumes.*

Explanation: This message is displayed during a database audit and indicates that the database information relating to data storage sequential volumes is being examined by the database audit process.

System Action: Audit processing continues.

User Response: None.

ANR4264I *Audit command: Auditing file information.*

Explanation: This message is displayed during a database audit and indicates that information on stored files is being examined by the database audit process.

System Action: Audit processing continues.

User Response: None.

ANR4265I *Audit command: Auditing disk file information.*

Explanation: This message is displayed during a database audit and indicates that information on files stored on disk media is being examined by the database audit process.

System Action: Audit processing continues.

User Response: None.

ANR4266I *Audit command: Auditing sequential file information.*

Explanation: This message is displayed during a database audit and indicates that information on files stored on sequential media is being examined by the database audit process.

System Action: Audit processing continues.

User Response: None.

ANR4267E *Audit command: A storage pool containing file data cannot be located - file data may not be accessible.*

Explanation: This message is displayed during a database audit and indicates that the storage pool containing a file's data cannot be located or is not defined. This problem cannot be corrected by the audit process, but the file data is not deleted.

System Action: Audit processing continues.

User Response: Contact your service representative.

ANR4268E *Audit command: A storage volume containing file data cannot be located - file data may not be accessible.*

Explanation: This message is displayed during a database audit and indicates that the storage volume containing a file's data cannot be located or is not defined. This problem cannot be corrected by the audit process, but the file data is not deleted.

System Action: Audit processing continues.

User Response: Contact your service representative.

ANR4269E *Audit command: Extraneous file data reference found.*

Explanation: A database audit process finds a reference to a file that no longer exists.

System Action: Audit processing continues.

User Response: Reissue the audit command with FIX=YES so that the information can be deleted.

ANR4270E *Audit command: Extraneous file data reference found - information will be deleted.*

Explanation: A database audit process finds a reference to a file that no longer exists. Because FIX=YES has been specified for the audit command, the information will be deleted.

System Action: Audit processing continues.

User Response: None.

ANR4271E *Audit command: Missing or incorrect occupancy information detected.*

Explanation: A database audit process detects missing or incorrect occupancy information for a data storage pool or a data storage volume.

System Action: Audit processing continues.

User Response: Reissue the audit command with FIX=YES so that the information can be created or corrected.

ANR4272E

Audit command: **Missing or incorrect occupancy information detected - information will be created or corrected.**

Explanation: A database audit process detects missing or incorrect occupancy information for a data storage pool or a data storage volume. Because FIX=YES has been specified for the audit command, the information will be created or corrected.

System Action: Audit processing continues.

User Response: None.

ANR4273E

Audit command: **A data-integrity error was detected on volume *volume name* - Issue the AUDIT VOLUME command to correct the error.**

Explanation: A database audit process finds a data-integrity error for a file stored on the specified volume.

System Action: Audit processing continues.

User Response: Issue the AUDIT VOLUME command on the specified volume to correct the data-integrity error.

ANR4274E

Audit command: **A correctable data-integrity error was detected.**

Explanation: A database audit process finds a data-integrity error for a stored file. This error can be corrected.

System Action: Audit processing continues.

User Response: Reissue the audit command and specify FIX=YES so that the error can be corrected.

ANR4275E

Audit command: **A data-integrity error was detected - it will be corrected.**

Explanation: A database audit process finds a data-integrity error for a stored file. Because FIX=YES has been specified for the audit command, the error will be corrected.

System Action: Audit processing continues.

User Response: None.

-
- ANR4276E** *Audit command: Invalid file storage information detected - file data is not accessible.*
- Explanation:** A database audit process finds invalid file storage information for a stored file, and it cannot be corrected.
- System Action:** Audit processing continues.
- User Response:** Issue the AUDIT VOLUME command on all your volumes to correct the data-integrity error.
-
- ANR4277E** *Audit command: Invalid file storage information detected.*
- Explanation:** A database audit process finds invalid file storage information for a stored file. This information can be corrected.
- System Action:** Audit processing continues.
- User Response:** Reissue the audit command and specify FIX=YES so that the error can be corrected.
-
- ANR4278E** *Audit command: Invalid file storage information detected - It will be corrected.*
- Explanation:** A database audit process finds invalid file storage information for a stored file. Because FIX=YES has been specified for the audit command, the error will be corrected.
- System Action:** Audit processing continues.
- User Response:** None.
-
- ANR4279E** *Audit command: Administrator administrator number assigned to more than just system authority class.*
- Explanation:** A database audit process finds that an administrator is assigned to other authority classes. Being assigned with 'SYSTEM' authority supersedes all other classes and the other privilege class entries should be deleted.
- System Action:** Audit processing continues.
- User Response:** Reissue the audit command and specify FIX=YES so that the error can be corrected.
-
- ANR4280I** *Audit command: Administrator administrator number assigned to more than just system authority class - the other class entries will be deleted.*
- Explanation:** A database audit process finds that an administrator is assigned to other authority classes. Being assigned with 'SYSTEM' authority supersedes all
-

other classes and the other privilege class entries should be deleted. Because FIX=YES has been specified for the command, any authority class other than system will be deleted.

System Action: Audit processing continues.

User Response: None.

ANR4281E *Audit command: Administrator administrator number assigned as an unrestricted policy administrator is also assigned as a restricted administrator for domain domain name.*

Explanation: A database audit process finds the specified administrator is assigned as an unrestricted policy administrator. The specified administrator is also assigned as the restricted administrator for the specified policy domain. The unrestricted policy administration class supersedes any restricted policy class definitions for an administrator. The administrator's authority needs to be corrected.

System Action: Audit processing continues.

User Response: Reissue the audit command and specify FIX=YES so that the error can be corrected.

ANR4282I *Audit command: Administrator administrator number assigned as an unrestricted policy administrator is also assigned as administrator for domain domain name - restricted class entry will be deleted.*

Explanation: A database audit process finds the specified administrator is assigned as an unrestricted policy administrator. The specified administrator is also assigned as the restricted administrator for the specified policy domain. The unrestricted policy administration class supersedes any restricted policy class definitions for an administrator. Because FIX=YES has been specified for the command, the restricted administrator policy class will be deleted.

System Action: Audit processing continues.

User Response: None.

ANR4283E *Audit command: Administrator administrator number assigned as an unrestricted storage administrator is also assigned as a restricted administrator for storage pool storage pool name.*

Explanation: A database audit process finds the specified administrator is assigned as an unrestricted storage administrator. The specified administrator is also assigned as the restricted administrator for the specified storage pool. The unrestricted storage administration class supersedes any restricted storage class definitions for an administrator. The administrator's authority needs to be corrected.

System Action: Audit processing continues.

User Response: Reissue the audit command and specify FIX=YES so that the error can be corrected.

ANR4284I

Audit command: Administrator administrator number assigned as an unrestricted storage administrator is also assigned as a restricted administrator for storage pool storage pool name - restricted class entry will be deleted.

Explanation: A database audit process finds the specified administrator is assigned as an unrestricted storage administrator. The specified administrator is also assigned as the restricted administrator for the specified storage pool. The unrestricted storage administration class supersedes any restricted storage class definitions for an administrator. Because FIX=YES has been specified for the command, the restricted administrator storage class will be deleted.

System Action: Audit processing continues.

User Response: None.

ANR4285E

Audit command: A data-integrity error was detected on a storage volume for object (Object.ID).

Explanation: A database audit process found a data-integrity error for a file stored on a storage volume, but the specific volume name is not known. If fix=yes was specified, the audit process will attempt to correct the data-integrity error.

System Action: Audit processing continues.

User Response: None.

ANR4286E

Audit command: A correctable storage allocation error detected for volume volume name.

Explanation: A database audit process finds incorrect block allocation information for the specified storage volume; the error can be corrected.

System Action: Audit processing continues.

User Response: Reissue the audit command and specify FIX=YES so that the error can be corrected.

ANR4287E

Audit command: Storage allocation error detected for volume volume name - It will be corrected.

Explanation: A database audit process finds incorrect block allocation information for the specified storage volume; the error will be corrected.

System Action: Audit processing continues.

User Response: None.

ANR4288E *Audit command: Multiple files allocated the same disk storage block on volume volume name.*

Explanation: A database audit process finds multiple files allocated the same disk storage block on the specified volume; this error cannot be corrected by the audit process.

System Action: Audit processing continues.

User Response: Contact your service representative.

ANR4289E *Audit command: Multiple files allocated the same disk storage block on volume volume name.*

Explanation: A database audit process finds multiple files allocated the same disk storage block on the specified volume; this error cannot be corrected by the audit process.

System Action: Audit processing continues.

User Response: Contact your service representative.

ANR4290I *Audit command: License global attributes could not be found - they will be created.*

Explanation: A database audit process cannot find the license global attributes. Because FIX=YES has been specified for the command, the information is corrected by the creation of the global attributes.

System Action: Audit processing continues.

User Response: None.

ANR4291I *Audit command: License global attributes could not be found.*

Explanation: A database audit process cannot find the license global attributes.

System Action: Audit processing continues.

User Response: Reissue the audit command and specify FIX=YES so that the error can be corrected.

ANR4292I *Audit command: Invalid table active column encountered for license global attribute - the value will be corrected.*

Explanation: A database audit process finds that the active column license global attribute is invalid. Because FIX=YES has been specified for the command, the active column is reset to a proper value.

System Action: Audit processing continues.

User Response: None.

ANR4293I *Audit command: Invalid table active column encountered for license global attributes.*

Explanation: A database audit process finds that the active column license global attribute is invalid.

System Action: Audit processing continues.

User Response: Reissue the audit command and specify FIX=YES so that the error can be corrected.

ANR4294I *Audit command: A license node assignment entry was not found for node node ID - an entry will be created.*

Explanation: A database audit process cannot find the node assignment entry corresponding to the specified node. Since FIX=YES has been specified for the command, the required license entry will be created using default values.

System Action: Audit processing continues.

User Response: None.

ANR4295I *Audit command: A license node assignment entry was not found for node node ID.*

Explanation: A database audit process cannot find the node assignment entry corresponding to the specified node.

System Action: Audit processing continues.

User Response: Reissue the audit command and specify FIX=YES so that the error can be corrected.

ANR4296I *Audit command: An invalid license node assignment entry was found for node node ID - the entry will be deleted.*

Explanation: A database audit process finds that the license node assignment entry is invalid. Because FIX=YES has been specified for the command, the node entry is deleted.

System Action: Audit processing continues.

User Response: None.

ANR4297I *Audit command: An invalid license node assignment entry was found for node node ID.*

Explanation: A database audit process finds that the license node assignment entry is invalid.

System Action: Audit processing continues.

User Response: Reissue the audit command and specify FIX=YES so that the error can be corrected.

ANR4298I **Expiration thread already processing - unable to begin another expiration process.**

Explanation: The expiration thread is already processing. The processing expiration thread is either an EXPIRE INVENTORY command or is the automatic background expiration process. In either case, another expiration process cannot be started until the current expiration process completes or is canceled.

System Action: Current expiration process continues.

User Response: Use the QUERY PROCESS command to determine the status of the current expiration process.

ANR4299I *Audit command: Invalid audit interval encountered for license global attribute - the value will be set to the default.*

Explanation: A database audit process finds that the audit interval license global attribute is invalid. Because FIX=YES has been specified for the command, the audit interval is reset to the default value.

System Action: Audit processing continues.

User Response: None.

ANR4300I *Audit command: Invalid audit interval encountered for license global attributes.*

Explanation: A database audit process finds that the audit interval license global attribute is invalid.

System Action: Audit processing continues.

User Response: Reissue the audit command and specify FIX=YES so that the error can be corrected.

ANR4301I *Audit command: Invalid last audit date encountered for license global attribute - the value will be set to 0.*

Explanation: A database audit process finds that the last audit date license global attribute is invalid. Because FIX=YES has been specified for the command, the last audit date is set to 0. The next execution of AUDIT LICENSES will set a new last audit date.

System Action: Audit processing continues.

User Response: None.

ANR4302I *Audit command: Invalid last audit date encountered for license global attribute.*

Explanation: A database audit process finds that the last audit date license global attribute is invalid.

System Action: Audit processing continues.

User Response: Reissue the audit command and specify FIX=YES so that the error can be corrected.

ANR4303E *Audit command: Inventory references for object(Object.ID) deleted.*

Explanation: A database audit process deleted all inventory references for the specified object ID. This process corrects a data-integrity error if FIX=YES was specified.

System Action: Audit processing continues.

User Response: None.

ANR4304E *Audit command: object name missing entry for cluster cluster ID - cluster entries deleted.*

Explanation: A database audit process is missing a corresponding entry for the specified comparison object and cluster ID. This process indicates a data-integrity error for the database cluster information. If FIX=YES was specified, the invalid cluster information will be deleted.

System Action: Audit processing continues.

User Response: None.

ANR4305E *Audit command: object name missing entry for cluster cluster ID.*

Explanation: A database audit process is missing a corresponding entry for the specified comparison object and cluster ID. This indicates a data-integrity error for the database cluster information.

System Action: Audit processing continues.

User Response: Reissue the audit command and specify FIX=YES so that the error can be corrected.

ANR4306I **AUDITDB: Processed *number of entries* database entries (cumulative).**

Explanation: This message indicates the number of database entries that have been processed during database audit processing.

System Action: Database audit processing continues.

User Response: None.

ANR4307I *Audit command:* **Auditing inventory external space-managed objects.**

Explanation: This message is displayed during a database audit and indicates that server information about external space-managed client objects is currently being examined by the database audit process.

System Action: Audit processing continues.

User Response: None.

ANR4308I *Audit command:* **External space-managed entry for node *node ID* and file space *filespace ID* is missing a corresponding space-managed object entry - the external space-managed entry will be deleted.**

Explanation: A database audit process finds that an external space-managed entry is missing a corresponding space-managed entry. Because FIX=YES has been specified, the orphaned external space-managed entry is deleted.

System Action: Audit processing continues.

User Response: None.

ANR4309I *Audit command:* **External space-managed entry for node *node ID* and file space *filespace ID* is missing a corresponding space-managed object entry.**

Explanation: A database audit process finds that an external space-managed entry is missing a corresponding space-managed entry.

System Action: Audit processing continues.

User Response: Reissue the audit command and specify FIX=YES so that the error can be corrected.

-
- ANR4310I** *Audit command: Auditing inventory space-managed objects.*
- Explanation:** This message is displayed during a database audit and indicates that server information about space-managed client objects is currently being examined by the database audit process.
- System Action:** Audit processing continues.
- User Response:** None.
-
- ANR4311I** *Audit command: Object entry for space-managed object *object.ID* not found - entry will be created.*
- Explanation:** A database audit process cannot find an object entry for the specified space-managed object. Because FIX=YES has been specified for the command, an object entry is created by using default values.
- System Action:** Audit processing continues.
- User Response:** None.
-
- ANR4312I** *Audit command: Object entry for space-managed object *object.ID* not found.*
- Explanation:** A database audit process cannot find an object entry for the specified backup object.
- System Action:** Audit processing continues.
- User Response:** Reissue the audit command and specify FIX=YES so that the error can be corrected.
-
- ANR4313I** *Audit command: Space-managed object (*object ID*) for node *node ID* and file space *filespace ID* has one or more incorrect fields - the values will be corrected.*
- Explanation:** A database audit process determined that one or more field values for the specified space-managed object is not valid. Because FIX=YES was specified the values are corrected.
- System Action:** Audit processing continues.
- User Response:** None.
-
- ANR4314I** *Audit command: Space-managed object (*object ID*) for node *node ID* and file space *filespace ID* has one or more incorrect fields.*
- Explanation:** A database audit process determined that one or more field values for the specified space-managed object is not valid.
- System Action:** Audit processing continues.
-

User Response: Reissue the audit command and specify FIX=YES so that the error can be corrected.

ANR4315I **Audit command: Space-managed object (object ID) for node node ID and file space filespace ID is missing the corresponding external space managed entry - the entry will be created.**

Explanation: A database audit process determines that the space-managed object entry is missing a corresponding external space managed entry. Because FIX=YES was specified, the missing entry will be created.

System Action: Audit processing continues.

User Response: None.

ANR4316I **Audit command: Space-managed object (object ID) for node node ID and file space filespace ID is missing the corresponding external space managed entry.**

Explanation: A database audit process determines that the space-managed object entry is missing a corresponding external space-managed entry.

System Action: Audit processing continues.

User Response: Reissue the audit command and specify FIX=YES so that the error can be corrected.

ANR4317I **Audit command: External space-managed object (object ID) for node node ID and file space filespace ID has one or more incorrect fields - the values will be corrected.**

Explanation: A database audit process determined that one or more field values for the specified external space-managed object is not valid. Because FIX=YES was specified, the values will be corrected.

System Action: Audit processing continues.

User Response: None.

ANR4318I **Audit command: External space-managed object (object ID) for node node ID and file space filespace ID has one or more incorrect fields.**

Explanation: A database audit process determined that one or more field values for the specified external space-managed object is not valid.

System Action: Audit processing continues.

User Response: Reissue the audit command and specify FIX=YES so that the error can be corrected.

ANR4319I *Audit command: Space-managed object not found for object *object.ID* - object entry will be deleted.*

Explanation: A database audit process cannot find a space-managed object entry for the specified object. Because FIX=YES was specified the object entry will be deleted.

System Action: Audit processing continues.

User Response: None.

ANR4320I *Audit command: Space-managed object not found for object *object.ID*.*

Explanation: A database audit process cannot find a space-managed object entry for the specified object.

System Action: Audit processing continues.

User Response: Reissue the audit command and specify FIX=YES so that the error can be corrected.

ANR4321I *Audit command: Invalid copy type encountered for object *object.ID* - object found as an space-managed object - correcting the invalid copy type*

Explanation: A database audit process encounters an invalid copy type for the specified object ID, but finds a corresponding space-managed object for the entry. Because FIX=YES has been specified for the command, the invalid copy type is corrected.

System Action: Audit processing continues.

User Response: None.

ANR4322E *Audit command: Management class *class name* in policy set *set name*, domain *domain name* does not have a valid space management technique defined.*

Explanation: A database audit process finds a management class that does not have a valid value specified.

System Action: Audit processing continues.

User Response: Reissue the audit command and specify FIX=YES so that the error can be corrected.

ANR4323E *Audit command: Management class class name in policy set set name, domain domain name does not have a valid space management technique defined - the default value will be set.*

Explanation: A database audit process finds a management class that does not have a valid value specified. Because FIX=YES was specified for the AUDITDB operation, the default space management technique value will be set for the management class specified.

System Action: Audit processing continues.

User Response: Refer to the DEFINE MGMTCLASS command in the *Administrator's Reference* for valid values.

ANR4324E *Audit command: Management class class name in policy set set name, domain domain name does not have a valid AUTOMIGNONUSE value specified.*

Explanation: A database audit process finds a management class that does not have a valid value specified.

System Action: Audit processing continues.

User Response: Reissue the audit command and specify FIX=YES so that the error can be corrected.

ANR4325E *Audit command: Management class class name in policy set set name, domain domain name does not have a valid AUTOMIGNONUSE value defined - the default value will be set.*

Explanation: A database audit process finds a management class that does not have a valid value specified. Because FIX=YES was specified for the AUDITDB operation, the default AUTOMIGNONUSE value will be set for the management class specified.

System Action: Audit processing continues.

User Response: Refer to the DEFINE MGMTCLASS command in the *Administrator's Reference* for valid values.

ANR4326E *Audit command: Management class class name in policy set set name, domain domain name does not have a valid MIGREQUIRESBKUP value specified.*

Explanation: A database audit process finds a management class that does not have a valid value specified.

System Action: Audit processing continues.

User Response: Reissue the audit command and specify FIX=YES so that the error can be corrected.

ANR4327E *Audit command: Management class class name in policy set set name, domain domain name does not have a valid MIGREQUIRESBKUP value defined - the default value will be set.*

Explanation: A database audit process finds a management class that does not have a valid value specified. Because FIX=YES was specified for the AUDITDB operation, the default MIGREQUIRESBKUP value will be set for the management class specified.

System Action: Audit processing continues.

User Response: Refer to the DEFINE MGMTCLASS command in the *Administrator's Reference* for valid values.

ANR4328W *Audit command: Storage pool storage pool name, specified as a space management destination for management class management class name, policy set set name, domain domain name, does not exist.*

Explanation: A database audit process encounters a storage pool specified for the space management destination of the specified management class that is not defined in the server database. If this management class is used in an active policy set, then migration operations will fail when attempting to put client data in the destination.

System Action: Audit processing continues.

User Response: After the audit command completes, use the DEFINE STGPOOL command to define the missing storage pool or the UPDATE MGMTCLASS command to update the management class to refer to an existing storage pool.

ANR4329I *Audit command: Inactive reference found for active backup entry (Object.ID) - the inactive reference will be deleted.*

Explanation: A database audit process found that an active backup entry for the specified object has a corresponding inactive backup entry. Since FIX=YES was specified for the command, the information is corrected by deleting the inactive backup object entry.

System Action: Audit processing continues.

User Response: None.

ANR4330I *Audit command: Inactive reference found for active backup entry (Object.ID).*

Explanation: A database audit process found that an active backup entry for the specified object has a corresponding inactive backup entry.

System Action: Audit processing continues.

User Response: None.

ANR4331E *command process terminated, no matching device classes.*

Explanation: The server did not find any device class names matching the specifications entered in the RECONCILE VOLUMES command.

System Action: Server operation continues.

User Response: Use the QUERY DEVCLASS command to determine which device classes are defined on the server and reissue the RECONCILE VOLUMES command.

ANR4332W **This command will compare all volumes used by the specified device class(es) with the actual data stored on the associated server for those volumes and will report any discrepancies; the data will be inaccessible to users until the operation completes.**

Explanation: During the execution of a RECONCILE VOLUMES command, any data a volume named would be unavailable to users.

System Action: The administrator is asked whether to continue.

User Response: Enter 'Y' to reconcile the volumes or 'N' to stop the process.

ANR4333W **This command will discard any references to volumes used by the specified device class(es) that are missing from the associated server, thereby rendering the data unrecoverable; the valid volumes will be inaccessible to users until the operation completes.**

Explanation: During the execution of a RECONCILE VOLUMES command, any data on a volume being reconciled would be unavailable to users. After the command has ended, any inconsistent volumes found will be discarded.

System Action: The administrator is asked whether to continue.

User Response: Enter 'Y' to reconcile the volumes or 'N' to stop the process.

ANR4334I *command (Repair) process started, process ID process ID.*

Explanation: As the result of a RECONCILE VOLUMES command that specified FIX=YES, the process whose ID is displayed has begun reconciling the volumes associated with the given device class.

System Action: The volumes are reconciled and invalid volumes are displayed.

User Response: None.

-
- ANR4335I** *command (Inspect Only) process started, process ID process ID.*
- Explanation:** As the result of a RECONCILE VOLUMES command that specified FIX=NO, the process whose ID is displayed has begun reconciling the volumes associated with the given device class.
- System Action:** The volumes are reconciled and inconsistent volumes are displayed.
- User Response:** None.
-
- ANR4336W** *command process ended, process ID process ID.*
- Explanation:** The RECONCILE VOLUMES command for the specified device class has ended.
- System Action:** None.
- User Response:** For complete details on the results of the RECONCILE VOLUMES command, examine the previous messages.
-
- ANR4337W** *command process terminated - process canceled.*
- Explanation:** During processing of a RECONCILE VOLUMES command, the process performing the reconcile was canceled.
- System Action:** The RECONCILE VOLUMES command is ended.
- User Response:** None.
-
- ANR4338W** *command process terminated - sufficient recovery log space is not available.*
- Explanation:** During processing of a RECONCILE VOLUMES command, the source server does not have sufficient recovery log space to continue.
- System Action:** The RECONCILE VOLUMES command is ended.
- User Response:** If necessary, make more recovery log space available to the source server.
-
- ANR4339W** *command process terminated - sufficient database space is not available.*
- Explanation:** During processing of a RECONCILE VOLUMES command, the source server does not have sufficient database space to continue.
- System Action:** The RECONCILE VOLUMES command is ended.
- User Response:** If necessary, make more database space available to the source server.
-

ANR4340W *command process terminated - thread resource not available.*

Explanation: During processing of a RECONCILE VOLUMES command, the source server cannot start a thread for the reconcile process.

System Action: The RECONCILE VOLUMES command is ended.

User Response: Reissue the RECONCILE VOLUMES command. If the error persists, it may indicate a shortage of source server memory.

ANR4341W *command process terminated - sufficient memory is not available.*

Explanation: During processing of a RECONCILE VOLUMES command, the source server does not have enough memory available to complete the command.

System Action: The RECONCILE VOLUMES command is ended.

User Response: If necessary make more memory available to the source server.

ANR4342W *command process terminated - lock conflict detected.*

Explanation: During processing of a RECONCILE VOLUMES command, the source server cannot obtain a required lock.

System Action: The RECONCILE VOLUMES command is ended.

User Response: Reissue the RECONCILE VOLUMES command.

ANR4343W *command process terminated - internal server error detected.*

Explanation: During processing of a RECONCILE VOLUMES command, an internal server error occurs on the source server.

System Action: The RECONCILE VOLUMES command is ended.

User Response: Contact your service representative.

ANR4344I *command started for device class device class (process ID process ID).*

Explanation: The RECONCILE VOLUMES process whose ID is displayed has started reconciling volumes associated with the given device class.

System Action: The volumes are reconciled and inconsistent volumes are displayed.

User Response: None.

ANR4345I *command completed for device class device class; (process ID process ID); volume count volumes inspected, volume count invalid volumes found, volume count volumes deleted.*

Explanation: The RECONCILE VOLUMES process whose ID is displayed has finished reconciling volumes associated with the given device class. The number of volumes reconciled and the number of invalid volumes found or deleted are displayed.

System Action: None.

User Response: For complete details on the results of the RECONCILE VOLUMES command for the shown device class, examine the previous messages.

ANR4346I *command completed for device class device class; (process ID process ID); volume count volumes inspected, volume count invalid volumes found.*

Explanation: The RECONCILE VOLUMES process whose ID is displayed has finished reconciling volumes associated with the given device class. The number of volumes reconciled and the number of invalid volumes found are displayed.

System Action: None.

User Response: For complete details on the results of the RECONCILE VOLUMES command for the shown device class, examine the previous messages. If you suspect that volumes were inaccessible because of communications problems, correct the problems and retry the RECONCILE VOLUMES command. If the errors are valid, reissue the reconcile volumes command with FIX=YES so that the source server can attempt to correct the information.

ANR4352I **Contacting Server** *server name*

Explanation: This message is displayed in response to a QUERY PROCESS command, and indicates that a reconciliation process is attempting to obtain volume information from the shown server.

System Action: The reconciliation process continues.

User Response: None.

ANR4353I **Cancel in progress**

Explanation: This message is displayed in response to a QUERY PROCESS command, and indicates that a reconciliation process has been canceled. The process will end shortly.

System Action: The reconciliation process terminates and server operation continues.

User Response: None.

ANR4354W *command: Source server not authorized to reconcile target server* *server name*.

Explanation: During processing of a RECONCILE VOLUMES command, the source server was not permitted to reconcile volume on the shown target server.

System Action: The reconciliation process continues.

User Response: If the source server should have permission to reconcile volumes on the shown target server, issue the UPDATE SERVER command with FORCESYNC=YES to cause the target server to accept reconcile operations for the source server. Reissue the RECONCILE VOLUMES command.

ANR4355W *command: Volume* *volume name* **not valid, source server missing corresponding entry for target server.**

Explanation: As the result of a RECONCILE VOLUMES command, the volume shown was reported by the target server and it has no matching volume on the source server.

System Action: The reconciliation process continues.

User Response: The database on either the source or target server has been regressed by either a RESTORE DATABASE operation or some system facility external to the server. Investigate the action that caused one or both of the databases to be regressed to their current condition. If a newer database images exist for that server, consider restoring the server to that point in time. If the condition of the database on each server is acceptable and the RECONCILE VOLUMES command was issued with FIX=NO, reissue the RECONCILE VOLUMES command with FIX=Yes to have the volume deleted from the target server.

ANR4356W *command: Volume* *volume name* **not valid, target server missing corresponding entry for source server.**

Explanation: As the result of a RECONCILE VOLUMES command, the volume shown was found on the source server and it has no matching volume on the target server.

System Action: The reconciliation process continues.

User Response: The database on either the source or target server has been regressed by either a RESTORE DATABASE operation or some system facility external to the server. Investigate the action that caused one or both of the databases to be regressed to their current condition. If a newer database images exist for that server, consider restoring the server to that point in time. If the RECONCILE VOLUMES command was issued with FIX=Yes and the volume is defined in a storage pool, the access mode of the volume will be changed to unavailable to prevent

attempted mounts on the source server. If the condition of the database on each server is acceptable, issue the DELETE VOLUME or DELETE VOLHISTORY command on the source server to remove the volume from the database.

ANR4357W

command: **Volume *volume name* not valid, target server volume refers to device class *device class* that does not exist on the source server.**

Explanation: As the result of a RECONCILE VOLUMES command, the volume shown was found on the target server and it is associated with the device class shown. The source server has NO corresponding device class.

System Action: The reconciliation process continues.

User Response: The database on either the source or target server has been regressed by either an RESTORE DATABASE operation or some system facility external to the server. Investigate the action that caused one or both of the databases to be regressed to their current condition. If a newer database image exist for that server, consider restoring the server to that point in time. In the case of a volume in the VOLHISTORY, the device class may have been deleted from the source server. If possible, issue the DEFINE DEVCLASS command to correct the situation. If the condition of the database on each server is acceptable and the RECONCILE VOLUMES command was issued with FIX=NO, reissue the RECONCILE VOLUMES command with FIX=Yes to have the volume deleted from the target server.

ANR4358W

command: **Volume *volume name* not valid, the attributes of the volume on target server do not match the attributes on the source server.**

Explanation: As the result of a RECONCILE VOLUMES command, the volume shown was found on both the source and target server, but the attributes describing the volume does not match.

System Action: The reconciliation process continues.

User Response: The database on either the source or target server has been regressed by either a RESTORE DATABASE operation or some system facility external to the server. Investigate the action that caused one or both of the databases to be regressed to there current condition. If a newer database image exist for that server, consider restoring the server to that point in time. If the condition of the database on each server is acceptable, additional actions will have to be taken because RECONCILE VOLUMES FIX=YES is unable to correct this situation. In the case of a volume in the VOLHISTORY, an IMPORT PREVIEW=YES or a RESTORE DATABASE PREVIEW=YES will determine the integrity of the volume. If the volume is in error, a DELETE VOLHISTORY will remove the volume from both the source and target servers. In the case of a volume in a storage pool, an AUDIT VOLUME FIX=NO will determine the integrity of the volume. If errors are found, an AUDIT VOLUME FIX=YES may make some data on the

volume accessible. Otherwise, issue the DELETE VOLUME command on the source server to remove the volume from both the source and target servers.

ANR4359W

command: **Volume *volume name* not valid, the size of the volume on target server does not match the size on the source server.**

Explanation: As the result of a RECONCILE VOLUMES command, the volume shown was found on both the source and target server, but the size of the volume does not match.

System Action: The reconciliation process continues.

User Response: The database on either the source or target server has been regressed by either an RESTORE DATABASE operation or some system facility external to the server. Investigate the action that caused one or both of the databases to be regressed to there current condition. If a newer database image exist for that server, consider restoring the server to that point in time. If the condition of the database on each server is acceptable, additional actions will have to be taken because RECONCILE VOLUMES FIX=YES is unable to correct this situation. In the case of a volume in the VOLHISTORY, an IMPORT PREVIEW=YES or a RESTORE DATABASE PREVIEW=YES will determine the integrity of the volume. If the volume is in error, a DELETE VOLHISTORY will remove the volume from both the source and target servers. In the case of a volume in a storage pool, an AUDIT VOLUME FIX=NO will determine the integrity of the volume. If errors are found, an AUDIT VOLUME FIX=YES may make some data on the volume accessible. Otherwise, issue the DELETE VOLUME command on the source server to remove the volume from both the source and target servers.

ANR4360W

command: **Volume *volume name* not valid, the type of the volume on target server does not match the type on the source server.**

Explanation: As the result of a RECONCILE VOLUMES command, the volume shown was found on both the source and target server, but the type of the volume does not match. For example, the volume on the target server is defined in a storage pool, but the target server indicates that volume was used for a DATABASE BACKUP.

System Action: The reconciliation process continues.

User Response: The database on either the source or target server has been regressed by either an RESTORE DATABASE operation or some system facility external to the server. Investigate the action that caused one or both of the databases to be regressed to there current condition. If a newer database image exists for that server, consider restoring the server to that point in time. If the condition of the database on each server is acceptable, additional actions will have to be taken because RECONCILE VOLUMES FIX=YES is unable to correct this situation. These actions may have to be performed on one or both servers. Use the QUERY

VOLHISTORY and QUERY VOLUME commands on both servers to determine the volume type on each server. In the case of a volume in the VOLHISTORY, a DELETE VOLHISTORY on the appropriate server that will remove the volume on that server. In the case of a volume in a storage pool, the DELETE VOLUME command on the appropriate server will remove the volume on that server.

ANR4361W

command: **Volume volume name not valid, the target server has reported damage to all or part of the volume.**

Explanation: As the result of a RECONCILE VOLUMES command, the volume shown was found on both the source and target server, but the target server has reported damage to all or part of the volume.

System Action: The reconciliation process continues.

User Response: On the target server, an audit with FIX=NO of the volumes in the storage pool used by the source server will indicate what which volume on the target server is damaged. This AUDIT VOLUME command may be able to reset the damaged indicator in the database if the damage was temporary due to hardware problems (for example, dirty tape heads). If the volume on the target server is in a primary storage pool that has previously been backed up to a copy storage pool, attempt to correct the damage by using the RESTORE STGPOOL command. If attempts to correct the damage on the target server fail, an AUDIT VOLUME command FIX=YES from the source server will mark as damaged in the source server database each file that is inaccessible and those files will not be accessed for future operations. If the files are part of an aggregate, the entire aggregate will be marked damaged. If a usable copy of the file exists in another storage pool, that copy may be accessed for future operations involving the file.

ANR4362W

command: **Invalid volume volume name deleted from server server name for device class device class.**

Explanation: As the result of a RECONCILE VOLUMES command that specified FIX=YES, the volume shown whose information is displayed is deleted from the target server.

System Action: The volume is deleted.

User Response: None.

ANR4363W

command: **Volume volume name access changed to access mode.**

Explanation: As the result of a RECONCILE VOLUMES command that specified FIX=YES, the access mode of the source volume has been changed to the value shown.

System Action: The volume's access mode is changed.

User Response: Review any additional messages issued by the RECONCILE VOLUMES command and correct the errors that set the volume to unavailable, or use the DELETE VOLUME command to remove it from the system.

ANR4364W

command: Unable to connect to target server server name.

Explanation: During processing of indicated command, the source server was unable to maintain communications with the shown target server.

System Action: The command process continues.

User Response: Check both the source server and the target server for any additional messages that might further describe the communications problem.

ANR4370E

The source server is not authorized to create volumes on target server server name.

Explanation: The source server has attempted to create a volume on the shown target server, but the operation failed because the source server does not have the authority to create volumes.

System Action: The operation fails.

User Response: If the source server should have permission to create volumes on the shown target server, issue the UPDATE SERVER command with FORCESYNC=YES to cause the target server to accept volume create operations for the source server. Retry the failing operation.

ANR4371E

Information on the source server does not match information on target server server name.

Explanation: The source server has determined that information contained on the shown target server no longer matches information contained on the source server.

System Action: The operation fails.

User Response: Issue the RECONCILE VOLUMES command to determine the problem. If possible, correct the problem and retry the failing operation.

ANR4372E

The password on the source server does not match the password on target server server name.

Explanation: The source server has attempted to update both the source password and the target password. An error occurred that prevented the source server from updating the target server. The passwords no longer match.

System Action: The operation fails.

User Response: On the target server, issue the UPDATE NODE command to change the password. On the source server, issue the UPDATE SERVER command to change the password to match the new password on the target server. Retry the failing operation.

ANR4373E

Session rejected by target server *server name*, **reason:** *rejection reason*.

Explanation: The source server has attempted to open a session with the shown target server. The session was rejected for the indicated reason.

System Action: The operation fails.

User Response: Check both the source server and the target server for any additional messages that might further describe the reason the session was rejected. For a reason of AUTHENTICATION FAILURE, ensure that both the source and target servers are using the same password. For a reason of NO RESOURCE, ensure that the target server is enabled, has sufficient DB, LOG, and memory resource to support the source server session and that the node name of the source server is not locked or in use. If this is a routed command, check to make sure that the administrator id being used to route the command is not locked or in use. For a reason of LICENSE FAILURE, ensure that the target server is properly licensed to support the source server session. For a reason of DOWN LEVEL, ensure that the target server program is a level new enough to support the source server session. For a reason of NODE TYPE, the source server is not allowed to establish a session with the given target server. The NODETYPE on the target server is CLIENT. The NODENAME parameter of the server definition on the source server is incorrect. The NODETYPE parameter of the registered node on the target server is incorrect and should be NODETYPE=SERVER. For a reason of INTERNAL ERROR, use the messages on the target server to determine the problem and contact your service representative. Retry the failing operation.

ANR4374E

Session failure, source server detected an internal error.

Explanation: The source server ends the session because an internal logic error is detected.

System Action: The source server ends the session and continues operation.

User Response: To determine the source of the error, the administrator can examine server messages issued prior to this message. The QUERY ACTLOG command can be used to view the activity log and search for messages. If the error cannot be isolated and resolved, contact your service representative.

ANR4375E

Session failure, source server has insufficient memory.

Explanation: The source server ends the session because sufficient memory (virtual memory) is not available.

System Action: The source server ends the session and continues operation.

User Response: Allocate additional storage to the server. For details, issue HELP MEMORY to display the information online or see “Appendix A. Allocating Additional Server Memory”.

ANR4376E **Session failure, target server *server name* is locked on the source server.**

Explanation: The source server ends the session because shown target server is locked from source server access.

System Action: The source server ends the session and continues operation.

User Response: Before the source server is permitted to access the target server, a properly authorized administrator must unlock the target server.

ANR4377E **Session failure, target server *server name* is not defined on the source server.**

Explanation: The source server ends the session because shown target server is not defined on the source server.

System Action: The source server ends the session and continues operation.

User Response: Before the source server is permitted to access the target server, the target server must be properly defined.

ANR4378E **For device class *device class*, the retry of a session with target server *server name* has timed out.**

Explanation: The source server has attempted to re-establish a session with the shown target server, but the RETRYPERIOD from the given device class has been exceeded.

System Action: The source server ends the operation.

User Response: Determine if the target server is having a problem or considering increasing the RETRYPERIOD value.

ANR4379E **The source server was unable to update the password on target server *server name*.**

Explanation: The source server has attempted to update the target password. An error occurred that prevented the source server from updating the target server.

System Action: The operation fails.

User Response: On the target server, determine the cause of the problem and correct it. It may be necessary for an administrator to correct the passwords with the following actions. On the target server, issue the UPDATE NODE command to

change the password. On the source server, issue the UPDATE SERVER command to change the password to match the new password on the target server. Retry the failing operation.

ANR4380E

The source server was unable to update the server validation key on target server *server name*.

Explanation: The source server has attempted to update its server validation key on the target server. An error occurred that prevented the source server from updating the target server.

System Action: The operation fails.

User Response: On the target server, determine the cause of the problem and correct it. It may be necessary for an administrator to correct the keys with the following actions. On the source server, issue the UPDATE SERVER command with FORCESYNC=YES to cause an attempt to synchronize the keys on both the source and target servers. Retry the failing operation.

ANR4381E

The source server was unable to register with target server *server name*.

Explanation: The source server has attempted to register with the shown target server. An error occurred that prevented the source server from registering with the target server.

System Action: The operation fails.

User Response: Ask an authorized administrator to submit the request on the use of the target server using REGISTER NODE command. Retry the failing operation.

ANR4382E

Session failure, policy information from target server *server name* **is incomplete, missing** *policy object*.

Explanation: The source server ends the session because the shown target server has provided policy information which is incomplete. The missing policy object is shown.

System Action: The source server ends the session and continues operation.

User Response: Use the appropriate commands on the target server to complete the policy definitions being used by the source server. Retry the failing operation.

ANR4383E

Session failure, target server *server name* **has aborted current transaction;** **reason:** *abort reason*.

Explanation: The source server ends the session because the shown target server has aborted the current transaction for the given reason.

System Action: The source server ends the session and continues operation.

User Response: Check both the source server and the target server for any additional messages that might further describe the reason the transaction was aborted. Retry the failing operation.

ANR4384E

Node *node name* is not allowed to establish a session as a target server.

Explanation: The node specified has attempted to establish a session with this system and this is not permitted due to the NODETYPE for this node.

System Action: The operation fails.

User Response: To allow the specified node to establish a session as a target server, the node must be registered with a NODETYPE of SERVER. Or else change the node name on the target server to a node name that is allowed to establish a session using a node name that was registered with the NODETYPE=SERVER parameter specified.

ANR4385I

Session retry in progress with target server *server name*.

Explanation: The source server is attempting to re-establish a session with the shown target server. Session retry processing occurs when the source server has lost the connection with a target server and a RETRYPERIOD value is specified,

System Action: The source server attempts to contact the target server.

User Response: Determine if the target server is having a problem and considering canceling the operation on the source server or correcting the problem with the target server.

ANR4386I

Session retry was successful for target server *server name*.

Explanation: The source server has re-establish a session with the shown target server.

System Action: Source server processing continues.

User Response: None.

ANR4387E

Session *session number* for node *node name* (*client platform*) refused - node name not registered as TYPE=CLIENT.

Explanation: The server refuses a request to start a client session because the client node name is not registered as a node of TYPE=CLIENT. This node name is already in use either as a server definition as defined by a DEFINE SERVER command or else as a node of TYPE=SERVER using the REGISTER NODE command.

System Action: Server operation continues.

User Response: Issue a QUERY NODE TYPE=SERVER or a QUERY SERVER to determine which server definition already is using this node name. This client should be registered using the REGISTER NODE TYPE=CLIENT command and specify a name that is not in use by any other nodes or server defined to this server.

ANR4388W **No expiration process to cancel.**

Explanation: The CANCEL EXPIRATION command was issued but there were no expiration processes currently running.

System Action: Server operation continues.

User Response: None.

ANR4389I **Expiration process cancelled.**

Explanation: The CANCEL EXPIRATION command was issued and successfully cancelled the current process.

System Action: Server operation continues.

User Response: None.

ANR4390E **CANCEL EXPIRATION failed - unable to cancel expiration process.**

Explanation: The CANCEL EXPIRATION command was issued but encountered an error. Due to this error, the command was unable to cancel the process.

System Action: Server operation continues.

User Response: Issue the command QUERY PROCESS to determine the process number for the expiration process and then issue the command CANCEL PROCESS for that process number. This will cancel the current expiration process.

ANR4391I **Expiration processing node *node name*, filesystem *filesystem name*, domain *domain name*, and management class *management class name* - for type *type* files.**

Explanation: Expiration processing is currently evaluating information for the node, filesystem, domain name, and management class specified for the file type indicated.

System Action: Server operation continues.

User Response: None.

ANR4402I *Database Dump command:* **Database update activity resumed**

Explanation: Database update activities that were suspended by the database dump process are restarted.

System Action: Server operation continues.

User Response: None.

ANR4403I *Database Load command: Database dump image is consistent - a database audit (AUDITDB) will NOT be required if this load completes successfully.*

Explanation: The database dump that is currently being loaded by the LOADDB process is a consistent database image. This process implies that a database audit (AUDITDB) will not be required if the load completes successfully.

System Action: Server database load processing continues.

User Response: None

ANR4404I *Database Load command: Loaded a consistent dump image - a database audit (AUDITDB) is NOT required.*

Explanation: The database dump image loaded by the LOAD command was consistent. A database audit (AUDITDB) is not required. The server may be started normally.

System Action: Server database load processing completes.

User Response: None.

ANR4405I *Database Load command: Loaded an inconsistent dump image - a database audit (AUDITDB) IS REQUIRED with FIX=YES.*

Explanation: The database dump image loaded by the LOAD command was not consistent. A database audit (AUDITDB) with FIX=YES is required to return the database to a consistent state.

System Action: Server database load processing completes.

User Response: To check the database for inconsistencies and correct any inconsistencies, use the database audit (AUDITDB) utility as described in the *Administrator's Reference*.

ANR4406I *Audit command: Client option Client option name sequence number option sequence number is not a member of an optionset. The option will be deleted.*

Explanation: A database audit process found that the specified client option does not have a corresponding optionset. The option is deleted.

System Action: Audit processing continues.

User Response: None.

ANR4407I *Audit command: Client option Client option name sequence number option sequence number is not a member of an optionset.*

Explanation: A database audit process found that the specified client option does not have a corresponding optionset. The option is deleted.

System Action: Audit processing continues.

User Response: Reissue the audit command and specify FIX=YES so that the error can be corrected.

ANR4408I *Audit command: Client option Client option name sequence number option sequence number in optionset optionset name is not a valid option. The option will be deleted.*

Explanation: A database audit process found that the specified client option is not a valid option. The option is deleted.

System Action: Audit processing continues.

User Response: None.

ANR4409I *Audit command: Client option Client option name sequence number option sequence number in optionset option set is not a valid option.*

Explanation: A database audit process found that the specified client option is not a valid option.

System Action: Audit processing continues.

User Response: Reissue the audit command and specify FIX=YES so that the error can be corrected.

ANR4410I **Triggered space expansion will be retried in *number of seconds* seconds.**

Explanation: Because of a problem encountered during a triggered space expansion for the data base and/or recovery log, the current expansion stops but will be retried after the time period shown.

System Action: The system waits for the specified period and then retries to expand the data base and/or recovery log.

User Response: If possible, correct the condition that stopped the expansion. If the problem persists, contact your service representative.

ANR4411I	Triggered space expansion retry delay ended; checking space trigger criteria. Explanation: Because a triggered space expansion had been stopped due to a problem, the system waited before retrying. The retry wait period has ended, and the system can now retry to expand space for the data base and/or recovery log. System Action: Space expansion begins. User Response: None.
ANR4412I	Data Base and Recovery Log Space expansion triggered. Explanation: A triggered space expansion had started. System Action: Space expansion begins. User Response: None.
ANR4413I	Recovery Log Space expansion Is Needed, <i>megabytes needed</i> Megabytes needed. Explanation: The recovery log is above the utilization percentage defined in a DEFINE SPACETRIGGER LOG command. An expansion of the indicated number of megabytes are needed to be above the space trigger utilization value. System Action: Space expansion begins if supported on this platform. User Response: None.
ANR4414I	Data Base Space expansion Is Needed, <i>megabytes needed</i> Megabytes needed. Explanation: The data base is above the utilization percentage defined in a DEFINE SPACETRIGGER DB command. An expansion of the indicated number of megabytes are needed to be above the space trigger utilization value. System Action: Space expansion begins if supported on this platform. User Response: None.
ANR4415I	Data Base and Recovery Log Space Expansion Completed. Explanation: A triggered space expansion had completed. System Action: Normal operations resume. User Response: None.

ANR4416W **Unable to Determine Maximum Number of Data Base Volume Copies, rc=return code.**

Explanation: The Data Base Space Trigger was in the processing of expanding the data base by creating new data base volumes. In doing so, the maximum number of copy volumes for any data base volume is determined. The process of determining this value failed.

System Action: Server operation continues. No additional data base copy volumes are created during this data base space expansion.

User Response: Use the Query DBVOL command to determine if your data base volume configuration is satisfactory. You may use the DEFINE DBCOPY command to define additional data base volume copies, if necessary.

ANR4417W **Unable to Create Data Base Copy Volume *Data Base Copy Volume* for volume *Data Base Volume*.**

Explanation: The Data Base Space Trigger was in the processing of expanding the data base by creating new data base volumes. In doing so, data base copy volumes are created for mirroring. The indicated data base copy volume could not be created for the primary data base volume named.

System Action: Server operation continues. A data base copy volume is not created for the indicated primary volume.

User Response: Use the Query DBVOL command to determine if your data base volume configuration is satisfactory. You may use the DEFINE DBCOPY command to define additional data base volume copies, if necessary.

ANR4418W **Unable to Define Data Base Copy Volume *Data Base Copy Volume* for volume *Data Base Volume*.**

Explanation: The Data Base Space Trigger was in the processing of expanding the data base by creating new data base volumes. In doing so, data base copy volumes are created for mirroring. The indicated data base copy volume was created for the primary data base volume named, but could be registered with the server.

System Action: Server operation continues. A data base copy volumes is not registered for the indicated primary volume. The data base copy volume still exists on the system.

User Response: Use the Query DBVOL command to determine if your data base volume configuration is satisfactory. You may use the DEFINE DBCOPY command to retry the definition of the data base volume copy, if necessary.

ANR4419W **Unable to Determine Maximum Number of Recovery Log Volume Copies,**
rc=return code.

Explanation: The Recovery Log Space Trigger was in the processing of expanding the recovery log by creating new recovery log volumes. In doing so, the maximum number of copy volumes for any recovery log volume is determined. The process of determining this value failed.

System Action: Server operation continues. No additional recovery log copy volumes are created during this recovery log space expansion.

User Response: Use the Query LOGVOL command to determine if your recovery log volume configuration is satisfactory. You may use the DEFINE LOGCOPY command to define additional recovery log volume copies, if necessary.

ANR4420W **Unable to Create Recovery Log Copy Volume** *Recovery Log Copy Volume for volume Recovery Log Volume.*

Explanation: The Recovery Log Space Trigger was in the processing of expanding the recovery log by creating new data base volumes. In doing so, recovery log copy volumes are created for mirroring. The indicated recovery log copy volume could not be created for the primary recovery log volume named.

System Action: Server operation continues. A recovery log copy volume is not created for the indicated primary volume.

User Response: Use the Query LOGVOL command to determine if your recovery log volume configuration is satisfactory. You may use the DEFINE LOGCOPY command to define additional recovery log volume copies, if necessary.

ANR4421W **Unable to Define Recovery Log Copy Volume** *Recovery Log Copy Volume for volume Recovery Log Volume.*

Explanation: The Recovery Log Space Trigger was in the processing of expanding the recovery log by creating new recovery log volumes. In doing so, recovery log copy volumes are created for mirroring. The indicated recovery log copy volume was created for the primary recovery log volume named, but could be registered with the server.

System Action: Server operation continues. A recovery log copy volume is not registered for the indicated primary volume. The recovery log copy volume still exists on the system.

User Response: Use the Query LOGVOL command to determine if your recovery log volume configuration is satisfactory. You may use the DEFINE LOGCOPY command to retry the definition of the recovery log volume copy, if necessary.

-
- ANR4422I** **AUDITDB: Insufficient database space to optimize audit processing.**
- Explanation:** A database audit process found that insufficient database space is available to optimize audit processing. If the audit can process, it will take much longer to complete than if the space was available.
- System Action:** Audit processing continues if possible, but may terminate if very little space is available.
- User Response:** Use the dsmserv extend db command to increase the size of the server database and restart the database audit function.
-
- ANR4423I** **AUDITDB: Insufficient database space to continue audit processing.**
- Explanation:** A database audit process found that insufficient database space is available to continue audit processing.
- System Action:** Audit processing terminates.
- User Response:** Use the dsmserv extend db command to increase the size of the server database and restart the database audit function.
-
- ANR4424W** **Data Base has reached Maximum Size in Space Trigger.**
- Explanation:** The Data Base Space Trigger was specified with a maximum size for the data base. That value has been reached for the size of the data base.
- System Action:** Server operation continues. No additional data base space expansion will occur as a result of the data base space trigger.
- User Response:** None. You may review the space trigger settings and use the UPDATE SPACETRIGGER DB command to adjust space trigger values.
-
- ANR4425W** **Recovery Log has reached Maximum Size in Space Trigger.**
- Explanation:** The Recovery Log Space Trigger was specified with a maximum size for the recovery log. That value has been reached for the size of the recovery log.
- System Action:** Server operation continues. No additional recovery log expansion will occur as a result of the recovery log space trigger.
- User Response:** None. You may review the space trigger settings and use the UPDATE SPACETRIGGER LOG command to adjust space trigger values.
-

ANR4426W

Recovery Log can no longer be Expanded by the Space Trigger.

Explanation: The Recovery Log Space Trigger was going to automatically expand the recovery log. Expanding the recovery log would cause the recovery log's size to exceed 5GB, which is beyond the server maximum limit for the recovery log.

System Action: Server operation continues, but the recovery log is not automatically expanded. No additional recovery log expansion will occur as a result of the recovery log space trigger.

User Response: None. You may review the space trigger settings and use the UPDATE SPACETRIGGER LOG command to adjust space trigger values. You may also backup the data base and /or setup a data base backup trigger to cause the data base to be backed up more often. Backing up the data base will decrease the recovery log utilization and you then use the REDUCE LOG and DELETE LOGVOLUME command to decrease the size of the recovery log.

ANR4427W

One or more Recovery Log Volumes differ in number of copy volumes.

Explanation: The Recovery Log Space Trigger was in the processing of expanding the recovery log by creating new volumes. . In doing so, copy volumes are created for mirroring, and existing volumes are examined for mirroring. One or more recovery log volumes was found to have a different number of copy volumes than other volumes of the same type. It is recommended that the same number of copy volumes be created for each volume of the same type (data base or log).

System Action: Server operation continues.

User Response: Use the QUERY LOGVOL command to determine if your volume configuration is satisfactory. You may use the DEFINE LOGCOPY command to define additional copy volumes, if necessary. You may use the DELETE LOGCOPY command to delete unnecessary copy volumes.

ANR4428W

One or more Data Base Volumes differs in number of copy volumes.

Explanation: The Data Base Space Trigger was in the processing of expanding the data base by creating new volumes. . In doing so, copy volumes are created for mirroring, and existing volumes are examined for mirroring. One or more data base volumes was found to have a different number of copy volumes than other volumes of the same type. It is recommended that the same number of copy volumes be created for each volume of the same type (data base or log).

System Action: Server operation continues.

User Response: Use the Query DBVOL command to determine if your volume configuration is satisfactory. You may use the DEFINE DBCOPY command to define additional copy volumes, if necessary. You may use the DELETE DBCOPY command to delete unnecessary copy volumes.

ANR4429W **Unable to Define Recovery Log Volume** *Recovery Log Volume.*

Explanation: The Recovery Log Space Trigger was in the processing of expanding the recovery log by creating new recovery log volumes. The indicated recovery log volume was created, but could not be registered with the server.

System Action: Server operation continues. A recovery log volume is not registered with the server. The recovery log copy volume still exists on the system.

User Response: Use the Query LOGVOL command to determine if your recovery log volume configuration is satisfactory. You may use the DEFINE LOGCOPY command to retry the definition of the recovery log volume copy, if necessary. There will be an additional message in the activity log prior to this message indicating the reason for the failure.

ANR4430W **Unable to Define Data Base Volume** *Data Base Volume.*

Explanation: The Data Base Space Trigger was in the processing of expanding the data base by creating new data base volumes. The indicated data base volume was created, but could not be registered with the server.

System Action: Server operation continues. A data base volume is not registered with the server. The data base volume still exists on the system.

User Response: Use the Query DBVOL command to determine if your data base volume configuration is satisfactory. You may use the DEFINE DBVOLUME command for the data base volume named, to retry the definition of the data base volume copy, if necessary. There will be an additional message in the activity log prior to this message indicating the reason for the failure.

ANR4431I **Recovery Log now Eligible for Expansion.**

Explanation: The Recovery Log Space Trigger has previously hit a point where expanding the recovery log would have caused the recovery log's size to exceed 5GB, which is beyond the server maximum limit for the recovery log. This caused automatic recovery log expansion to be halted. The recovery log size has shrunk but once again needs expansion and is now eligible for expansion.

System Action: Server operation continues, and the automatic recovery log expansion will proceed.

User Response: None. None.

ANR4432W **Data Base can no longer be Expanded by the Space Trigger.**

Explanation: The Data Base Space Trigger was going to automatically expand the data base. Expanding the data base would cause the size of the data base to exceed 500GB, which is beyond the server maximum limit for the data base.

System Action: Server operation continues, but the data base is not automatically expanded. No additional data base expansion will occur as a result of the recovery log space trigger until the data base size is less than the maximum size and the trigger attributes allow it to be expanded to a size less than the maximum.

User Response: None. You may review the space trigger settings and use the UPDATE SPACETRIGGER DB command to adjust space trigger values. You may also reduce the data base size, if possible.

ANR4433I

Data Base now Eligible for Expansion.

Explanation: The Data Base Space Trigger has previously hit a point where expanding the data base would have caused the size of the data base to exceed 500GB, which is beyond the server maximum limit for the data base. This caused automatic data base expansion to be halted. The data base size has shrunk or the space trigger values have been adjusted to allow expansion.

System Action: Server operation continues, and automatic data base expansion may proceed.

User Response: None.

ANR4434E

Audit command: Password expiration found for unknown client node node name.

Explanation: A database audit process finds a password expiration period for a client node, but the client node is not defined correctly in the server database.

System Action: Audit processing continues.

User Response: If the audit command has not been issued with FIX=YES specified, reissue the audit function specifying FIX=YES so that the error can be corrected.

ANR4435I

Audit command: Password expiration period deleted for unknown client node node name.

Explanation: A database audit process finds a password expiration period for a client node, but the client node is not defined correctly in the server database. Because FIX=YES has been specified for the audit command, the audit function deletes the password expiration period.

System Action: Audit processing continues.

User Response: None.

-
- ANR4436E** *Audit command: **Invalid password expiration** password expiration period for client node node name.*
- Explanation:** A database audit process finds an invalid password expiration period for a client node.
- System Action:** Audit processing continues.
- User Response:** If the audit command has not been issued with FIX=YES specified, reissue the audit function specifying FIX=YES so that the error can be corrected.
-
- ANR4437I** *Audit command: **Invalid password expiration period** password expiration period deleted for client node node name.*
- Explanation:** A database audit process finds an invalid password expiration period for a client node. Because FIX=YES has been specified for the audit command, the audit function deletes the password expiration period, causing the default, global password expiration period to take effect for the client node.
- System Action:** Audit processing continues.
- User Response:** After the AUDIT command completes, use the QUERY NODE command to examine the node that was updated. Use the UPDATE NODE command to set the correct password expiration period for the node.
-
- ANR4438E** *Audit command: **Password expiration found for unknown administrator** administrator name.*
- Explanation:** A database audit process finds a password expiration period for an administrator, but the administrator is not defined correctly in the server database.
- System Action:** Audit processing continues.
- User Response:** If the audit command has not been issued with FIX=YES specified, reissue the audit function specifying FIX=YES so that the error can be corrected.
-
- ANR4439I** *Audit command: **Password expiration period deleted for unknown administrator** administrator name.*
- Explanation:** A database audit process finds a password expiration period for an administrator, but the administrator is not defined correctly in the server database. Because FIX=YES has been specified for the audit command, the audit function deletes the password expiration period.
- System Action:** Audit processing continues.
- User Response:** None.
-

ANR4440E *Audit command: Invalid password expiration password expiration period for administrator administrator name.*

Explanation: A database audit process finds an invalid password expiration period for an administrator.

System Action: Audit processing continues.

User Response: If the audit command has not been issued with FIX=YES specified, reissue the audit function specifying FIX=YES so that the error can be corrected.

ANR4441I *Audit command: Invalid password expiration period password expiration period deleted for administrator administrator name.*

Explanation: A database audit process finds an invalid password expiration period for an administrator. Because FIX=YES has been specified for the audit command, the audit function deletes the password expiration period, causing the default, global password expiration period to take effect for the administrator.

System Action: Audit processing continues.

User Response: After the AUDIT command completes, use the QUERY ADMIN command to examine the administrator that was updated. Use the UPDATE ADMIN command to set the correct password expiration period for the administrator.

ANR4442E *Audit command: Extended attribute extended attribute type is not a valid attribute type.*

Explanation: A database audit process finds an extended attribute type that is not supported.

System Action: Audit processing continues.

User Response: If the audit command has not been issued with FIX=YES specified, reissue the audit function specifying FIX=YES so that the error can be corrected.

ANR4443I *Audit command: Invalid extended attribute extended attribute type has been deleted.*

Explanation: A database audit process finds an extended attribute type that is not supported. Because FIX=YES has been specified for the audit command, the audit function deletes extended attribute.

System Action: Audit processing continues.

User Response: None.

-
- ANR4500I** **Writing sequential volume history information to defined files.**
- Explanation:** The server is updating all sequential volume history files defined in the server options file with information on sequential volume usage information. The files updated are those specified with the VOLUMEHISTORY option in the server options file.
- System Action:** Server operation continues.
- User Response:** None.
-
- ANR4501I** **Sequential volume history information successfully written to *file name*.**
- Explanation:** The server is updating all sequential volume history files defined in the server options file with information on sequential volume usage information. Volume history information was successfully written to the file specified.
- System Action:** Server operation continues.
- User Response:** None.
-
- ANR4502W** **No files have been defined for automatically storing sequential volume history information.**
- Explanation:** The server is attempting to update all sequential volume history files defined in the server options file with information on sequential volume usage information. Because no files were configured for receiving this information, the automatic operation fails.
- System Action:** Server operation continues.
- User Response:** To have the server automatically record sequential volume history information to assist in server recovery, use the VOLUMEHISTORY option in the server options file to specify where history information should be written. If you update the options file, restart the server.
-
- ANR4510E** **Server could not write sequential volume history information to *volume history file name*.**
- Explanation:** While attempting to write sequential volume history information to defined history files, the server could not write to the file name specified.
- System Action:** The server does not write volume history information to the file specified
- User Response:** Examine error messages that may have been displayed prior to this message and correct any problems, if possible. Make sure that the server has proper authority to write to the file indicated and that there is sufficient space in the file system for the file. On MVS, make sure that the data set has been allocated and
-

that the server has authority to write to the data set. After the problem has been corrected, use the BACKUP VOLHISTORY command to write sequential volume history information to the file.

ANR4511E

Volume history file *volume history file name* **could not be opened.**

Explanation: While attempting to write sequential volume history information to or read information from defined history files, the server cannot open the file name specified.

System Action: The server does not write volume history information to or read volume history information from the file specified

User Response: Examine error messages that may have been displayed prior to this message and correct any problems, if possible. Make sure that the server has proper authority to write to the file indicated and that there is sufficient space in the file system for the file. On MVS, make sure that the data set has been allocated and that the server has authority to write to the data set.

ANR4512E

A database transaction failure was encountered in processing sequential volume history information.

Explanation: While attempting to process sequential volume history information, the server encountered a database transaction error.

System Action: The operation fails. Usage for a sequential volume was not properly recorded for later reference.

User Response: Examine error messages that may have been displayed prior to this message and correct any problems, if possible. If this does not resolve the problem, contact your support representative.

ANR4513E

A database lock conflict was encountered in processing sequential volume history information.

Explanation: While attempting to process sequential volume history information, the server encountered a database locking conflict.

System Action: The operation fails. This usually means that usage for a sequential volume was not properly recorded for later reference

User Response: Examine error messages that may have been displayed prior to this message and correct any problems, if possible. If this does not resolve the problem, contact your support representative.

-
- ANR4514E** **Sufficient database space is not available for the server while processing sequential volume history information.**
- Explanation:** While attempting to process sequential volume history information, the server found that sufficient database space was not available for updates.
- System Action:** The operation fails. Usage for a sequential volume was not properly recorded for later reference.
- User Response:** To increase the amount of database space available to the server, an authorized administrator can add database volumes by using the DEFINE DBVOLUME command, and extend the size of the database by using the EXTEND DB command.
-
- ANR4515E** **Sufficient recovery log space is not available for the server while processing sequential volume history information.**
- Explanation:** While attempting to process sequential volume history information, the server finds that sufficient recovery log space is not available for updates.
- System Action:** The operation fails. Usage for a sequential volume was not properly recorded for later reference.
- User Response:** To increase the amount of database space available to the server, an authorized administrator can add database volumes by using the DEFINE LOGVOLUME command, and extend the size of the database by using the EXTEND LOG command.
-
- ANR4516E** **Server could not read sequential volume history information from any defined files.**
- Explanation:** While attempting to read sequential volume history information from defined history files, the server finds that it cannot open any of the files defined in the server options file.
- System Action:** The server does not read volume history information. If the current server task requires this information, the task ends.
- User Response:** Examine error messages that may have been displayed prior to this message and correct any problems, if possible. Make sure that the server has proper authority to read from the defined volume history files. If you are doing a database restore, issue RESTORE DB DEVCLASS=VOL.
-

-
- ANR4517E** **No files have been defined for storing sequential volume history information - information cannot be read.**
- Explanation:** The server is attempting to read from at least one of the volume history files defined in the server options file. Since no files were defined for this information the read operation fails.
- System Action:** Server operation ends.
- User Response:** You can restore the database specifying the volume names for each restore operation (in order) up to the desired point-in-time. If a volume history file is available, specify its name in the server options file and retry the operation.
-
- ANR4518E** **Volume history file *file name* line *line number* does not have the proper format - read operation fails.**
- Explanation:** The server is attempting to read from a volume history file and encounters a record that does not have the proper format.
- System Action:** Server operation terminates.
- User Response:** Examine the file specified to determine if the invalid record can be located and corrected. If the file is corrupted or does not contain valid volume history entries, it cannot be used for the desired operation.
-
- ANR4549I** *Database dump command: A database dump is already in progress.*
- Explanation:** This message is issued in response to a database dump command and indicates that a database dump cannot be started because a dump is already in progress.
- System Action:** Server operation continues. The requested database dump is not started.
- User Response:** Only one database dump can be started at one time. Use the QUERY PROCESS command to monitor the dump that is in progress. When completed, issue the database dump command to start another database dump if required.
-
- ANR4550I** **Full database backup (process *process ID*) complete, *number of database pages* pages copied.**
- Explanation:** A full database backup process has completed. The output volumes used in this backup may be used during a database restore operation.
- System Action:** None.
- User Response:** None.
-

ANR4551I **Incremental database backup (process *process ID*) complete, number of database pages copied.**

Explanation: An incremental database backup process has completed. The output volumes used in this backup may be used in conjunction with any preceding volumes in the backup series during a database restore operation.

System Action: None.

User Response: None.

ANR4552I **Full database backup triggered; started as process *process ID*.**

Explanation: A background process, triggered by the LOGFULLPCT parameter on a DEFINE DBBACKUPTRIGGER command, was started to back up the full contents of the database. The full database backup process is assigned the process ID shown.

System Action: The database backup process starts and server operation continues.

User Response: The administrator may query the status of the database backup process by using the QUERY PROCESS command, or cancel the process by using the CANCEL PROCESS command.

ANR4553I **Incremental database backup triggered; started as process *process ID*.**

Explanation: A background process, triggered by the LOGFULLPCT parameter on a DEFINE DBBACKUPTRIGGER command, was started to incrementally back up the contents of the database. The incremental database backup process was assigned the process ID shown.

System Action: The database backup process starts and server operation continues.

User Response: The administrator may query the status of the database backup process by using the QUERY PROCESS command, or cancel the process by using the CANCEL PROCESS command.

ANR4554I **Backed up *number of pages backed up* of *number of pages to back up* in current operation database pages.**

Explanation: Periodically, during a database backup, the server displays the number of pages backed up.

System Action: None.

User Response: None.

ANR4555I **Database backup process *process ID* canceled.**

Explanation: The database backup process was canceled by an administrator with the CANCEL PROCESS command.

System Action: The database backup process is ended.

User Response: None.

ANR4556W **Attention: the database backup operation did not free sufficient recovery log space to lower utilization below the database backup trigger. The recovery log size may need to be increased.**

Explanation: A database backup process has completed. The server is running in roll-forward mode and the recovery log utilization remains above that specified in the database backup trigger.

System Action: A database backup operation will be triggered. Unless this situation is corrected, database backups will be triggered rapidly, one after the other.

User Response: If a database backup operation does not free up enough recovery log space to reset utilization below the database backup trigger, the recovery log needs to be extended or the database backup trigger updated to a higher log full percentage.

ANR4560I **Triggered database backup will be retried in *number of seconds* seconds.**

Explanation: Because of a problem encountered during a triggered database backup, the current backup stops but will be retried after the time period shown.

System Action: The system waits for the specified period and then retries a database backup.

User Response: If possible, correct the condition that stopped the database backup. If the problem persists, contact your service representative.

ANR4561I **Triggered database backup retry delay ended; checking database backup trigger criteria.**

Explanation: Because a triggered database backup had been stopped due to a problem, the system waited before retrying. The retry wait period has ended, and the system can now retry the database backup.

System Action: Database backup begins.

User Response: None.

ANR4562I Database backup criteria is no longer met; triggered database backup canceled.

Explanation: Because a triggered database backup had been stopped due to a problem, the system waited before retrying. The retry wait period has ended, and the system determined that the criteria for triggering a database backup was no longer met.

System Action: The system waits until the database backup trigger criteria is met before triggering another database backup.

User Response: None.

ANR4563I Unable to trigger database backup - a database define, delete, extend, reduce, or backup operation is already in progress.

Explanation: A database backup was triggered, but a command that is modifying or backing up the database is already active.

System Action: The backup stops and the server waits for the retry period to expire and then tries the database backup again.

User Response: None.

ANR4564I Unable to trigger database backup - sufficient memory is not available.

Explanation: A database backup was triggered, but there is not enough server memory available.

System Action: The backup stops and the server waits for the retry period to expire and then tries the database backup again.

User Response: If necessary, make more memory available to the server.

ANR4565E Unable to trigger database backup - thread resource not available.

Explanation: A database backup was triggered, but the server cannot start a thread for the backup process.

System Action: The backup stops and the server waits for the retry period to expire and then tries the database backup again.

User Response: If the error persists, it may indicate a shortage of server memory. Allocate additional server memory.

ANR4570E Database backup/restore terminated - device class *device class name* not defined.

Explanation: During database backup or restore processing, an error occurred because the specified device class is not defined.

System Action: If the database backup was started with the BACKUP DB command, the database backup is ended and server operation continues. If the database backup was triggered automatically, the backup stops and the server waits for the retry period to expire and then tries the database backup again. A database restore is terminated.

User Response: For database backup, make sure the specified device class is defined. For database restore processing, make sure the device class has a definition in a device configuration file that is pointed to in the server options file.

ANR4571E Database backup/restore terminated - insufficient number of mount points available for removable media.

Explanation: During database backup or restore, the server cannot allocate sufficient mount points for the volumes required.

System Action: If the database backup was started with the BACKUP DB command, the database backup is ended and server operation continues. If the database backup was triggered automatically, the backup stops and the server waits for the retry period to expire and then tries the database backup again. A database restore is ended.

User Response: For database backup, make more mount points available if necessary. For database restore processing, make sure the device class has sufficient mount points defined in the device configuration information file that is pointed to in the server options file.

ANR4572E Database restore terminated - excessive read errors encountered.

Explanation: During database restore, read errors occur that prevent the restore from continuing.

System Action: Database restore processing stops.

User Response: Use a different device for the restore operation. If the problem persists, contact your service representative.

ANR4573E Database backup terminated - excessive write errors encountered.

Explanation: During database backup, write errors occur that prevent the backup from continuing.

System Action: If the database backup was started with the BACKUP DB command, the database backup is ended and server operation continues. If the database backup was triggered automatically, the backup stops and the server waits for the retry period to expire and then tries the database backup again.

User Response: If possible, determine and correct the cause of the write errors. If the problem cannot be corrected, contact your service representative.

ANR4574E Database backup/restore terminated - data transfer interrupted.

Explanation: During a database backup or restore operation, a data transfer operation has been interrupted and cannot be continued.

System Action: If the database backup was started with the BACKUP DB command, the database backup is ended and server operation continues. If the database backup was triggered automatically, the backup stops and the server waits for the retry period to expire and then tries the database backup again. A database restore is ended.

User Response: If possible, determine and correct the cause of the interruption. If the problem cannot be corrected, contact your service representative.

ANR4575E Database backup/restore terminated - sufficient recovery log space is not available.

Explanation: During a database backup or restore operation, the server runs out of recovery log space.

System Action: If the database backup was started with the BACKUP DB command, the database backup is ended and server operation continues. If the database backup was triggered automatically, the backup stops and the server waits for the retry period to expire and then tries the database backup again. A database restore is terminated.

User Response: For database backup, make more server recovery log space available, if necessary. For database restore, contact your service representative.

ANR4576E Database backup/restore terminated - sufficient database space is not available.

Explanation: During a database backup or restore operation, the server runs out of database space.

System Action: If the database backup was started with the BACKUP DB command, the database backup is ended and server operation continues. If the database backup was triggered automatically, the backup stops and the server waits for the retry period to expire and then tries the database backup again. The database restore process attempts to set the database capacity to the required capacity to hold the database being restored. If this fails, the restore operation is ended.

User Response: For database backup, make more server database space available, if necessary. For database restore, make sure that the size of the online database is at least the same capacity as the database being restored.

ANR4577E

Database backup terminated - volume already in use.

Explanation: During a database backup operation, a volume cannot be used because it is already defined in a storage pool, or has been previously used by an export, a database dump, or a database backup operation (as recorded in the volume history) or is in use by another process.

System Action: If the database backup was started with the BACKUP DB command, the database backup is ended and server operation continues. If the database backup was triggered automatically, the backup stops and the server waits for the retry period to expire and then tries the database backup again.

User Response: Specify a volume that is not in use or defined in a storage pool, and that has not been previously used for an export, a database dump, or a database backup operation as recorded in the server volume history information. The QUERY VOLUME command may be used to display the names of volumes that are defined to server storage pools. The QUERY VOLHISTORY command may be used to display the names of volumes that have been used for export, database dump, or database backup operations.

ANR4578E

Database backup/restore terminated - required volume was not mounted.

Explanation: During a database backup or restore operation, a required volume cannot be mounted, because the mount request was canceled.

System Action: If the database backup was started with the BACKUP DB command, the database backup is ended and server operation continues. If the database backup was triggered automatically, the backup stops and the server waits for the retry period to expire and then tries the database backup again. A database restore is terminated.

User Response: Issue the command again or wait for the server to retry the backup and make sure the necessary volumes are accessible. If you are restoring a database to a given date or doing a roll-forward restore, restart the entire restore operation. If you are restoring a single database backup with COMMIT=NO, reissue the restore command. If you are restoring a database backup with COMMIT=YES, restore the complete backup series from the beginning.

ANR4579E

Database backup/restore terminated - thread resource not available.

Explanation: During a database backup or restore operation, the server cannot start a thread for the backup process.

System Action: If the database backup was started with the BACKUP DB command, the database backup is ended and server operation continues. If the database backup was triggered automatically, the backup stops and the server waits for the retry period to expire and then tries the database backup again. A database restore is terminated.

User Response: Retry the command or wait for the server to retry the backup if it was started by the backup trigger. If the error persists, it may indicate a shortage of server memory.

ANR4580E

Database backup/restore terminated - insufficient memory available.

Explanation: During a database backup or restore operation, there was not enough server memory available.

System Action: If the database backup was started with the BACKUP DB command, the database backup is ended and server operation continues. If the database backup was triggered automatically, the backup stops and the server waits for the retry period to expire and then tries the database backup again. A database restore is terminated.

User Response: If necessary, make more memory available to the server.

ANR4581W

Database backup/restore terminated - internal server error detected.

Explanation: During a database backup or restore operation, the server encounters an internal error.

System Action: If the database backup was started with the BACKUP DB command, the database backup is ended and server operation continues. If the database backup was triggered automatically, the backup stops and the server waits for the retry period to expire and then tries the database backup again. A database restore is terminated.

User Response: Contact your service representative.

ANR4582E

Database restore terminated - volume cannot be used.

Explanation: During a database restore operation, a volume has been mounted but cannot be used.

System Action: The restore operation is terminated.

User Response: If a volume list was specified on the command, make sure the correct volume is being specified and mounted. If no volume list was specified, contact your service representative.

ANR4583E

Database backup terminated - output media full and scratch media could not be mounted.

Explanation: During a database backup operation, an out-of-space condition occurred writing to the sequential media, and a scratch volume cannot be mounted.

System Action: The database backup is ended and server operation continues.

User Response: Reissue the command and specify additional volume names on the command, or specify SCRATCH=YES.

ANR4584E

Database restore terminated - incomplete input volume list.

Explanation: The list of volumes needed for the restore operation was incomplete. At least one volume needed for the restore operation is missing from the end of the list.

System Action: The database restore is terminated.

User Response: If you are using a DSMSERV RESTORE DB command with the VOLUMENAMES parameter specified, verify that all the volumes within a database backup operation are included in the list. Ensure that all the volume names are specified in the correct sequential order. For a restore with COMMIT=NO, reissue the last restore command. For a restore with COMMIT=YES, restart the restore from the beginning of the full backup. If you are using a DSMSERV RESTORE DB command with the TODATE parameter specified, the server created a list of volumes needed for the restore operation. Examine the volume history files to try to determine the error or use a different volume history file if available. You can also restore the database by specifying the volume names for each restore operation up to the desired point in time.

ANR4590I

Backup type backup series backup series number operation backup operation in series stream backup stream within operation (always 1) sequence backup volume sequence number in operation taken on date at time.

Explanation: During a DSMSERV DISPLAY DBBACKUPVOL command, the server displays the necessary information about a backup volume.

System Action: Processing continues for all volumes in the given volume list.

User Response: You can use this information to create a list of volumes for a database restore when a volume history backup file is not available.

ANR4600I

Processing volume history file file name.

Explanation: During a DSMSERV RESTORE DB command with the TODATE parameter specified, the server is processing the listed file in order to build a list of volumes needed for the restore operation.

System Action: None.

User Response: None.

-
- ANR4601E** **Incomplete volume list found for TODATE *date time* - retrying.**
- Explanation:** During a DSMSESV RESTORE DB command with the TODATE parameter specified, the server created a list of volumes needed for the restore operation, but the list was incomplete.
- System Action:** The server tries to build the list again using a different volume history file specified in the server options file. If no other volume history files are available, the server stops processing.
- User Response:** If the problem persists, examine the volume history files to try and determine the error. You can also restore the database by specifying the volume names for each restore operation up to the desired point in time.
-
- ANR4602E** **No volumes found for TODATE *date time*.**
- Explanation:** No volumes were found in the volume history files that meet the date and time parameters specified.
- System Action:** The server does not process the command.
- User Response:** Reissue the command with a valid date and time.
-
- ANR4610E** **Database volume *DB volume name* not found in current configuration.**
- Explanation:** The command specified the name of a nonexistent database volume.
- System Action:** The server does not process the command.
- User Response:** Reissue the command with a valid database volume name.
-
- ANR4611E** **Unable to restore database and roll forward updates - log mode was not previously set to ROLLFORWARD.**
- Explanation:** The command specified that the database be restored and all updates rolled forward to the most current state. This process cannot be accomplished because the server recovery log mode was not set to ROLLFORWARD; therefore, no update information exists.
- System Action:** The server does not process the command.
- User Response:** Reissue the command and specify a point in time (TODATE/TOTIME) for restore.
-
- ANR4612E** **Unable to restore database and roll forward updates.**
- Explanation:** The command specified that the database be restored and all updates rolled forward to the most current state. This process cannot be accomplished
-

because the internal list of volumes for the most recent full/incremental backup series is not available. Possible reasons include:

- No full backup was taken after setting the recovery log mode to ROLLFORWARD with a SET LOGMODE command.
- Only snapshot database backups were created.

System Action: The server does not process the command.

User Response: Reissue the command and specify a point in time (TODATE/TOTIME) for restore.

ANR4619I **Snapshot database backup series** *snapshot database backup series* **using device class** *device class*.

Explanation: The device class used for the snapshot database backup is shown.

System Action: None.

User Response: None.

ANR4620I **Database backup series** *Backup series* **operation** *backup operation* **device class** *device class*.

Explanation: The device class used for the backup is shown.

System Action: None.

User Response: None.

ANR4621I **Database backup device class** *device class*.

Explanation: The device class for the backup is shown.

System Action: None.

User Response: None.

ANR4622I **Volume** *volume sequence number in backup operation: volume name*.

Explanation: The volume sequence and name for a full or an incremental database backup are shown.

System Action: None.

User Response: None.

ANR4623I **Stream** *stream number in backup operation* **volume** *volume sequence number in backup stream: Volume name.*

Explanation: The stream number, volume sequence and name for a full or an incremental database backup are shown.

System Action: None.

User Response: None.

ANR4630I **Starting point-in-time database restore (commit).**

Explanation: A point-in-time database restore with a specified list of volumes has started. When this restore is complete, the database will be committed to the point in time of this backup.

System Action: None.

User Response: If you inadvertently specified COMMIT=YES, restart the restore process from the beginning, starting with restoring the full backup (backup operation 0).

ANR4631I **Point-in-time database restore (commit) complete, restore date** *date time.*

Explanation: A point-in-time database restore with a specified list of volumes is complete. The date shown is the date to which the database has been restored.

System Action: None.

User Response: None.

ANR4632I **Starting point-in-time database restore (no commit).**

Explanation: A point-in-time database restore with a specified list of volumes has started. When this restore is complete, the database will not yet be usable.

System Action: None.

User Response: To complete a database restore where a volume list is specified, specify COMMIT=YES on the command when restoring the last set of backup volumes. If you forgot to specify COMMIT=YES on the command, issue the last restore command again with COMMIT=YES.

ANR4633I **Point-in-time database restore (no commit) complete.**

Explanation: A point-in-time database restore with a specified list of volumes is complete. The database is not yet usable.

System Action: None.

User Response: To complete a database restore where a volume list is specified, specify COMMIT=YES on the command when restoring the last set of backup volumes. If you forgot to specify COMMIT=YES on the command, issue the last restore command again with COMMIT=YES.

ANR4634I **Starting point-in-time database restore to date** *date time*.

Explanation: A point-in-time database restore with the TODATE parameter specified has begun. When this restore is complete, the database will be committed to the point in time of this backup.

System Action: None.

User Response: None.

ANR4635I **Point-in-time database restore complete, restore date** *date time*.

Explanation: A point-in-time database restore with the TODATE parameter specified has completed. The database is committed to the point in time of this backup, which may be different than the TODATE specified. If this is the case, an additional message will be displayed.

System Action: None.

User Response: None.

ANR4636I **Starting roll-forward database restore.**

Explanation: A roll-forward database restore has begun. When this restore is complete, the database will be returned to its most recent state.

System Action: None.

User Response: None.

ANR4637I **Roll-forward database restore complete.**

Explanation: A roll-forward database restore has ended. All database backups in the most current backup series have been restored, and all updates to the database since the most recent backup have been rolled forward. The database has been returned to its most recent state.

System Action: None.

User Response: None.

ANR4638I **Restore of backup series** *backup series number* **operation** *backup operation in series in progress.*

Explanation: During a DSMSERV RESTORE DB, the server displays the backup series and operation currently being restored.

System Action: None.

User Response: None.

ANR4639I **Restored number of pages restored of number of pages to restore from current backup operation database pages.**

Explanation: Periodically, during a DSMSERV RESTORE DB, the server displays the number of pages restored from the current backup being restored.

System Action: None.

User Response: None.

ANR4640I **Restored number of database pages pages from backup series** *backup series number* **operation** *backup operation in series.*

Explanation: At the end of each restored backup, the server displays the number of database pages restored.

System Action: None.

User Response: None.

ANR4641I **Sequential media log redo pass in progress.**

Explanation: During a DSMSERV RESTORE DB, the process of committing incomplete database updates has begun.

System Action: None.

User Response: None.

ANR4642I **Sequential media log undo pass in progress.**

Explanation: During a DSMSERV RESTORE DB, the process of rolling back incomplete transactions has begun.

System Action: None.

User Response: None.

ANR4643I **Processed *number of log records* log records.**

Explanation: Periodically, during the commit of a point-in-time restore or while rolling forward updates during a roll forward restore, the server displays the number of log records processed.

System Action: None.

User Response: None.

ANR4644I **A full backup will be required for the next database backup operation.**

Explanation: During a point-in-time restore of a database, this message is displayed to notify the administrator that the next database backup taken during normal operation must be a full backup. This process is normal for point-in-time database restores.

System Action: None.

User Response: At the next server restart, do a full database backup. A full database backup is started automatically if a DBBACKUPTRIGGER is defined.

ANR4645I **The restore date reflects the most recent backup available up to the specified TODATE.**

Explanation: During a DSMSEV RESTORE DB with the TODATE parameter, the date of the restored backup was not identical to the date specified on the command. The backup series that was restored is the most recent backup series up to and including the specified date.

System Action: None.

User Response: Make sure the date of the restored database is satisfactory. If it is not, restore the database again by specifying a different TODATE or by restoring individual database backups.

ANR4646I **Database capacity required for restore is *number of megabytes* megabytes.**

Explanation: During a point-in-time restore of a database, the size of the database being restored is displayed. The available capacity of the online database volumes must be at least this size.

System Action: None.

User Response: None.

ANR4647I Database available capacity is *number of megabytes* megabytes.

Explanation: During a point-in-time restore of a database, the available capacity of the online database volumes is displayed. This capacity must be as large as the size of the database being restored.

System Action: If the available capacity of the online database volumes is not at least this size, the restore cannot continue.

User Response: If the available capacity of the online database is not sufficient, reinstall the server with the required database size, and try the restore operation again.

ANR4648I Extending database assigned capacity to *number of megabytes* megabytes.

Explanation: During a point-in-time restore of a database, the assigned capacity of the online database is smaller than that of the database being restored. However, the available capacity of the online database volumes is sufficient for restore.

System Action: The assigned capacity of the online database is extended to the size required for restore.

User Response: None.

ANR4649I Reducing database assigned capacity to *number of megabytes* megabytes.

Explanation: During a point-in-time restore of a database, the assigned capacity of the online database is larger than that of the database being restored.

System Action: The assigned capacity of the online database is reduced to the size required for restore.

User Response: None.

ANR4650E Restore of backup series *current series* operation *current operation* is not in sequence; last restored backup was series *previous series* operation *previous operation*.

Explanation: During a DSMSERV RESTORE DB, a backup volume was mounted that is not in the correct sequence.

System Action: The database restore is terminated.

User Response: Ensure volume names are specified in the correct sequential order. For a restore with COMMIT=NO, reissue the last restore command. For a restore with COMMIT=YES, restart the restore from the beginning of the full backup.

-
- ANR4651E** **Restore of backup series *current series* operation *current operation* is not in sequence; backup is part of another log epoch.**
- Explanation:** During a DSMSEV RESTORE DB, a backup volume was mounted that is not in the correct sequence. The current backup operation cannot be restored in this series because it belongs to the same backup series from another point in time.
- System Action:** The database restore is terminated.
- User Response:** Restart the database restore from the beginning of the full backup. Omit all backups from the offending backup and later from the restore.
-
- ANR4657E** **SNMP: Failed to connect to server at address *address*, port *port*.**
- Explanation:** The SNMP client was attempting to run a session with the server at the indicated address and port number in response to an SNMP Get Request, which causes a Server Script to be run. The subagent failed to connect to the server.
- System Action:** The SNMP subagent ends this attempt to run the script and continues operation.
- User Response:** Ensure that the indicated server is up and able to initiate admin clients using the TCP/IP protocol.
-
- ANR4659E** **SNMP: Communications failure: bad verb received (*verb type*).**
- Explanation:** The SNMP client encountered an invalid communications verb during a session with the server and is not able to continue processing the session.
- System Action:** The SNMP session ends and subagent operation continues.
- User Response:** Contact your service representative.
-
- ANR4660I** **Connected to SNMP subagent at *SNMP subagent address* on port *port number*.**
- Explanation:** The server has successfully connected to the SNMP subagent at the indicated address and port.
- System Action:** The server will now register with the subagent.
- User Response:** None.
-
- ANR4661E** **SNMP communication with the subagent failed because a thread resource was not available.**
- Explanation:** The server could not continue with SNMP communication to the SNMP subagent because sufficient memory is not available for starting additional processes on the server.
-

System Action: The server discontinues SNMP processing and server operation continues.

User Response: Allocate additional storage to the server. For details, issue HELP MEMORY to display the information online or see “Appendix A. Allocating Additional Server Memory”.

ANR4662W **Failure sending message to SNMP subagent.**

Explanation: The server experienced an error return code from TCP/IP while sending to the SNMP subagent. This message is also issued when the SNMP subagent has an error sending a verb to the server when acting as an SNMP client. This may be a normal event if either side of the connection is abruptly ended, as in the case of terminating the subagent program. The error is reflected in another message for TCP/IP which further describes the error.

System Action: The session is ended. Server operation continues. If a message is being forwarded to an SNMP managing node, the message is not sent. If a heartbeat message was being sent to the subagent, this heartbeat message is lost and the server attempts to re-start its session with the SNMP subagent.

User Response: If the session is ended as a result of intentionally stopping either the subagent, no response is required. Otherwise, ensure that the TCP/IP protocol stack is functioning by using the tools that come with the particular TCP/IP suite on the platform in use.

ANR4663W **Failure receiving message from SNMP subagent.**

Explanation: The server experienced an error return code from TCP/IP while receiving data from the SNMP subagent. This may be a normal event if either side of the connection is abruptly ended, as in the case of terminating the subagent program. The error is reflected in another message for TCP/IP which further describes the error.

System Action: The session is ended. Server operation continues. If a heartbeat message was being sent to the subagent, this heartbeat message is lost and the server attempts to re-start its session with the SNMP subagent. If the server was attempting to register to the SNMP subagent, heartbeat messaging will be disabled until the server is re-started.

User Response: If the session is ended as a result of intentionally stopping either the subagent, no response is required. Otherwise, ensure that the TCP/IP protocol stack is functioning by using the tools that come with the particular TCP/IP suite on the platform in use.

ANR4664W**Failure in registering with SNMP subagent.**

Explanation: The server experienced a problem while attempting to register with the SNMP subagent. This may be due to problems with communication or the SNMP subagent being unavailable.

System Action: Heartbeat messaging will be disabled until the server is re-started.

User Response: Ensure that the subagent is running and that the TCP/IP protocol stack is functioning by using the tools that come with the particular TCP/IP suite on the platform in use.

ANR4665W**Failure re-trying registration with SNMP subagent.**

Explanation: The server experienced a problem while attempting to re-register with the SNMP subagent after losing contact. This may be due to problems with communication or the SNMP subagent being unavailable.

System Action: Registration is re-tried for a number of attempts before giving up.

User Response: Ensure that the subagent is running and that the TCP/IP protocol stack is functioning by using the tools that come with the particular TCP/IP suite on the platform in use.

ANR4666W**Failure sending heartbeat message to SNMP subagent.**

Explanation: The server experienced a problem while attempting to send a heartbeat message to the SNMP subagent. This may be due to problems with communication or the SNMP subagent being unavailable.

System Action: The server will attempt to contact the SNMP subagent again and re-synchronize.

User Response: Ensure that the subagent is running and that the TCP/IP protocol stack is functioning by using the tools that come with the particular TCP/IP suite on the platform in use.

ANR4667W**Failure re-trying heartbeat message to SNMP subagent.**

Explanation: The server experienced a problem while attempting to send a heartbeat message to the SNMP subagent. This may be due to problems with communication or the SNMP subagent being unavailable.

System Action: The server attempted to contact the SNMP subagent again and re-synchronize, but this too failed. Heartbeat functions are disabled until the server is re-started.

User Response: Ensure that the subagent is running and that the TCP/IP protocol stack is functioning by using the tools that come with the particular TCP/IP suite on the platform in use. Re-start the server if the heartbeat function is required.

ANR4668I

Connection successfully re-established with SNMP subagent.

Explanation: The server experienced a problem while attempting to send a heartbeat message to the SNMP subagent.

System Action: The server was able to successfully resynchronize with the SNMP subagent.

User Response: None.

ANR4669W

Heartbeat message was not accepted by SNMP subagent.

Explanation: The server experienced a problem while attempting to send a heartbeat message to the SNMP subagent. The SNMP subagent was unable to accept the heartbeat message. If the subagent was stopped and re-started, this is a normal message.

System Action: The server will attempt to contact the SNMP subagent again and re-synchronize.

User Response: Ensure that the subagent is running and that the TCP/IP protocol stack is functioning by using the tools that come with the particular TCP/IP suite on the platform in use.

ANR4670W

Failure in opening session with SNMP subagent.

Explanation: The server experienced a problem while attempting to open a session with the SNMP subagent.

System Action: Processing continues. Heartbeat and message forwarding function will not be available.

User Response: Ensure that the subagent is running and that the TCP/IP protocol stack is functioning by using the tools that come with the particular TCP/IP suite on the platform in use. If heartbeat and message forwarding functions are required, re-start the server.

ANR4671W

SNMP subagent did not accept registration of this server.

Explanation: The server experienced a problem while attempting to open a session with the SNMP subagent. The subagent is available but disallowed registration by this server.

System Action: Processing continues. Heartbeat and message forwarding function will not be available.

User Response: It may be necessary to stop the subagent and re-start it. Then stop the server and re-start it if heartbeat and message forwarding functions are required.

ANR4672W

SNMP message forwarding to the SNMP subagent was not started because a thread resource was not available.

Explanation: The server could not continue with SNMP communication to the SNMP subagent for message forwarding because sufficient memory is not available for starting additional processes on the server.

System Action: The server discontinues SNMP message processing and server operation continues.

User Response: Allocate additional storage to the server. For details, issue HELP MEMORY to display the information online or see "Appendix A. Allocating Additional Server Memory".

ANR4673E

Insufficient memory for subagent initialization (*the portion of initialization where the allocation of memory failed*).

Explanation: The SNMP subagent could not initialize due to the inability to obtain the required memory.

System Action: Initialization of the subagent fails.

User Response: Allocate additional storage to the subagent.

ANR4674E

Error starting DPI thread - Return code: *Return code received from called routine.*

Explanation: The SNMP subagent could not start the DPI thread.

System Action: Initialization of the subagent fails.

User Response: Contact your service representative.

ANR4675E

Server/subagent protocol violation - invalid (*where the protocol breakdown occurred*).

Explanation: The SNMP subagent received an unexpected request from the server.

System Action: The subagent will stop processing requests from the server sending the invalid requests.

User Response: Contact your service representative.

-
- ANR4676E** **Unable to register another server.**
- Explanation:** The SNMP subagent received a request to register a new server and was unable to allocate the memory necessary to register the new server.
- System Action:** The subagent will not register the new server.
- User Response:** Contact your service representative.
-
- ANR4677I** **Session established with server name:** *The name of the registered server.*
- Explanation:** The SNMP subagent completed the registration of the identified server.
- System Action:** The subagent will wait for additional requests from the server.
- User Response:** None.
-
- ANR4678I** **Session closed with server name:** *The name of the deregistered server.*
- Explanation:** The SNMP subagent completed the deregistration of the identified server.
- System Action:** None.
- User Response:** None.
-
- ANR4679W** **Messages are no longer being forwarded to the SNMP subagent.**
- Explanation:** The server has encountered multiple errors in forwarding messages to the SNMP subagent. Messages are no longer being forwarded.
- System Action:** The server continues operating, but messages are no longer being forwarded.
- User Response:** Message forwarding can be re-initialized by either stopping the server and re-starting it. Message forwarding will also be re-started if the heartbeat function is in use and the server re-synchronizes with the subagent. This re-synchronization occurs if the subagent, dsmsnmp, is stopped for longer than a single heartbeat interval (the heartbeat interval is a server option and appears in the output of the QUERY OPT command) and then restarted.
-
- ANR4680I** **DPI subagent (*The subagent name.*): "*Connected*" or "*reconnected*", ready to receive requests.**
- Explanation:** The subagent has successfully connected or reconnected to the SNMP agent.
- System Action:** The subagent is ready to receive requests from servers.
-

User Response: None.

ANR4681W

Connect to SNMP agent failed, will keep trying.

Explanation: The subagent has failed in an attempt to connect to the SNMP agent.

System Action: The subagent keeps retrying the connection.

User Response: Make sure that the SNMP daemon is up, running and correctly configured.

ANR4682W

A SNMP agent connection error occurred. Attempting to re-establish connection.

Explanation: An error has occurred in the communication between the subagent and the SNMP agent.

System Action: The subagent will attempt to reconnect.

User Response: Make sure that the SNMP daemon is up, running and correctly configured.

ANR4683E

Unable to open trace file 'file name'.

Explanation: An error occurred while opening the file for writing trace data.

System Action: The subagent continues operation without tracing.

User Response: Ensure there is adequate space on the drive from which you are running the subagent and retry the program.

ANR4684E

Trap request failed - RC: Return code from the trap request. Server index: Server index number.

Explanation: An error occurred while attempting to process a trap request from a server. data.

System Action: The subagent processing continues.

User Response: Make sure that the SNMP daemon is up, running and correctly configured.

ANR4685E

Insufficient memory for subagent initialization.

Explanation: The SNMP subagent could not initialize due to the inability to obtain the required memory.

System Action: Initialization of the subagent fails.

User Response: Allocate additional memory to the subagent.

ANR4686E	Insufficient memory for subagent trace initialization. Explanation: The SNMP subagent trace could not initialize due to the inability to obtain the required memory. System Action: Initialization of the subagent fails. User Response: Allocate additional memory to the subagent.
ANR4687E	Server/subagent protocol violation - expecting registration request. Received request: <i>The value of the request that was received.</i> Explanation: The SNMP subagent was expecting a registration request. It actually received something other than a registration request. System Action: The subagent will stop processing requests from the server sending the invalid requests. User Response: Contact your service representative.
ANR4688E	Server/subagent protocol violation - incorrect request header version. Explanation: The SNMP subagent received a request from a server that was not at the same maintenance level as the subagent. System Action: The subagent will stop processing requests from the server sending the invalid requests. User Response: Ensure the server and subagent are at the same maintenance level. If they are, contact your service representative.
ANR4689E	Invalid request type received (<i>The value of the request that was received.</i>). Explanation: The SNMP subagent received an unexpected request from the server. System Action: The subagent will stop processing requests from the server sending the invalid requests. User Response: Contact your service representative.
ANR4690E	Unexpected request type (<i>The value of the request that was received.</i>) in trap data header. Explanation: The SNMP subagent received an invalid trap request from a server. System Action: The subagent will stop processing requests from the server sending the invalid requests. User Response: Contact your service representative.

ANR4691I **DPI subagent** (*The subagent name.*): **connected, ready to receive requests.**

Explanation: The subagent has successfully connected to the SNMP agent.

System Action: The subagent is ready to receive request from servers.

User Response: None.

ANR4692I **DPI subagent** (*The subagent name.*): **reconnected, ready to receive requests.**

Explanation: The subagent has successfully reconnected to the SNMP agent.

System Action: The subagent is ready to receive request from servers.

User Response: None.

ANR4693I **Interface Driver information will be loaded in quiet mode: Only warning and error messages will be displayed.**

Explanation: The server is loading information needed for the Administrative WEB Interface. To minimize message traffic, only error and warning messages will be displayed.

System Action: When the command completes, WEB administrative information will be loaded into the server.

User Response: None.

ANR4694E **SNMP Subagent Port Confirmation Has Failed.**

Explanation: The server was communicating configuration data to the SNMP subagent. An error occurred in the exchange. The server could not communicate interface information to the subagent.

System Action: The server continues operation. The SNMP administrative interface is inoperative.

User Response: The most likely cause of this problem is a temporary network failure. The server should be re-started to retry the connection to the SNMP subagent. If this problem occurs repeatedly, please contact you service representative.

ANR4695E **SNMP: Communications Failure in Receiving "*verb type*" verb.**

Explanation: The SNMP client encountered a communications error in using the *verb type* verb to transfer information to or from the server and an SNMP client.

System Action: The SNMP session ends and server operation continues.

User Response: This may not be a problem if the SNMP subagent was terminated while the session was in progress. Otherwise, ensure that TCP/IP communications is running normally.

ANR4697E

SNMP: Failed to authenticate to server at address *address*, port *port*.

Explanation: The SNMP client was attempting to run a session with the server at the indicated address and port number in response to an SNMP Get Request, which causes a Server Script to be run. The subagent connected to the indicated server, but failed in authentication.

System Action: The SNMP subagent ends this attempt to run the script and continues operation.

User Response: Ensure that the indicated server has an administrative id of SNMPADMIN and that this administrative id has sufficient authority to run the script and commands it contains.

ANR4698E

SNMP: Communications Failure in Sending "*verb type*" verb (*command*).

Explanation: The SNMP client encountered a communications error in using the *verb type* verb to issue command *command*.

System Action: The SNMP client session ends and subagent operation continues.

User Response: Contact your service representative.

ANR4699E

SNMP: Receive Buffer overflow.

Explanation: The SNMP client encountered an overflow error in transferring information to or from the server.

System Action: The SNMP client session ends and subagent operation continues.

User Response: Contact your service representative.

ANR4700I

The server move batch size has been set to *new batch size*. Move operations that start after this point will use the new value.

Explanation: A SETOPT command was used to set the value for the move batch size value. This setting determines the maximum number of files that are moved on the server in one database transaction, dependent also on the setting for the move size threshold. The setting influences file movement for server migration, reclamation, storage pool backup, and move data operations.

System Action: The server uses this new setting for move operations that are started after this message is issued.

User Response: Contact your service representative.

ANR4701I **The server move size threshold has been set to *new threshold*. Move operations that start after this point will use the new value.**

Explanation: A SETOPT command was used to set the value for the move size threshold value. This setting determines the maximum number of megabytes that are moved on the server in one database transaction, dependent also on the setting for the move batch size. The setting influences file movement for server migration, reclamation, storage pool backup, and move data operations.

System Action: The server uses this new setting for move operations that are started after this message is issued.

User Response: Contact your service representative.

ANR4702I **The server transaction group maximum has been set to *new value*. Client sessions that are started after this point will use the new value.**

Explanation: A SETOPT command was used to set the value for the maximum number of files that can be sent from the client in a single database transaction.

System Action: The server uses this new setting for client sessions that are started after this message is issued.

User Response: Contact your service representative.

ANR4703E **Invalid key ring filename *Key Ring Filename***

Explanation: The key ring filename specified did not contain the .kyr extension.

System Action: None.

User Response: Rename your key ring filename to contain the .kyr extension. Reexecute the command with the new filename.

ANR4704I **Key ring filename and password have been set. Restart the server to use the new settings**

Explanation: The key ring filename have been set to the new value specified in the DEFINE KEYRING command.

System Action: None.

User Response: Restart the server to use the new key ring information.

-
- ANR4705I** **The server IDL definitions have not been installed. These definitions will need to be installed for the Web Administrator interface to work.**
- Explanation:** The server attempted to query the server IDL interface and found no definitions defined. Because of this error the HTTP engine returns a 404 not found message.
- System Action:** None.
- User Response:** If you would like to use the server web administrator interface you will need to:
1. Halt the server.
 2. Issue the command DSMSERV RUNFILE dsmserv.idl. For AS/400 command see next step.
 3. For AS/400, issue the command STRSVRADSM SVRMODE(*PRPWEB).
 4. Restart the server.
-
- ANR4706W** **Unable to open file *Filename* to satisfy web session *Session ID*.**
- Explanation:** A web browser requested a file and the server could not find the file on the local file system. Special note, some files requested from the server are not valid and are caused by a browser error. For example, a request for `CommandLineBeanInfo.class` is not a valid file request. However, a request of a GIF image or HTML page should not produce this error.
- System Action:** None.
- User Response:** Verify that permission for the file are set correctly and file exists.
-
- ANR4707E** ***Import/Loaddb command operation terminated - incomplete input volume list.***
- Explanation:** The list of volumes needed to process the command was incomplete. At least one volume needed for the operation is missing from the end of the list.
- System Action:** The command operation is ended.
- User Response:** Issue the command again and make sure the necessary volumes are included in the volume list.
-
- ANR4708I** **Native SSL support has been disabled, please use the web proxy.**
- Explanation:** Starting in this version of this product native Secure Socket Layer support has been removed. This feature has been replaced with the web proxy. Support for non-secure http request (COMMMETHOD HTTP) has not been disabled.
- System Action:** None.
-

User Response:

1. Remove COMMMETHOD HTTPS from your option file.
2. Install and configure the web proxy. See Quick Start Appendices for more information on how to install and configure the web proxy.

ANR4709W **Intervention required to mount volume *Volume Name* on Library Manager Server *Server Name*.**

Explanation: A volume mount is awaiting operator intervention on the specified library manager server.

System Action: The volume mount operation waits for operator intervention.

User Response: Refer to the server consol and/ir activity log on the named library manaer server to determine the action that needs to be performed to complete the mount operation.

ANR4710W **Library manager *Server Name* could not be contacted to control library *Library Name*.**

Explanation: The specified library manager server could not be contacted for control of the named library.

System Action: The server will continue to contact the named library manager server. Volume mounts in the library will fail until communication is successful.

User Response: Determine why the named server is not running or why the network prevents communication with te named server.

ANR4712E ***Command:* The DEVCLASS parameter is only valid for volume history types DBBACKUP or DBSNAPSHOT.**

Explanation: The command failed because an invalid volume history type was specified for the TYPE= parameter.

System Action: The command fails, and server operation continues.

User Response: Re-issue the command and specify a valid type value.

ANR4980I **Auditing Interface Driver definitions.**

Explanation: The server is beginning an audit of the definitions for Web interface.

System Action: The server will audit all definitions for the Web interface and report any problems.

User Response: None.

-
- ANR4981E** **Interface Driver audit completed - Inconsistencies were found.**
- Explanation:** The server found errors during the audit of the definitions for Web interface.
- System Action:** The Web Interface is not correctly installed. The Web Admin will not work correctly, but the server may be run without any problems.
- User Response:** Insure you are using the correct IDL file for the server level you are running. Examine error messages that may have been displayed before and/or after this message and correct any problems, if possible. If the cause of this can not be determined or resolved, contact your support representative.
-
- ANR4982I** **Interface Driver audit completed - definitions are consistent.**
- Explanation:** The server successfully completed the installation of the definitions for the Web interface.
- System Action:** The Web Interface is now installed. The server may be run without any problems.
- User Response:** None.
-
- ANR4983I** **Auditing Interface Driver Groups.**
- Explanation:** The server is auditing the driver groups.
- System Action:** The server will audit the driver groups and proceed to the next step.
- User Response:** None.
-
- ANR4984E** *Error description*
- Explanation:** The server found errors during the audit of the definitions for Web interface.
- System Action:** The audit will fail.
- User Response:** Insure you are using the correct IDL file for the server level you are running. Examine error messages that may have been displayed before this message and correct any problems, if possible. If the cause of this can not be determined or resolved, contact your support representative. If you contact your support representative, the entire text of this message should be reported.
-
- ANR4985I** **Auditing Interface Driver Group Members.**
- Explanation:** The server is auditing the driver group members.
-

System Action: The server will audit the driver group members and proceed to the next step.

User Response: None.

ANR4986I Auditing Interface Driver Classes.

Explanation: The server is auditing the driver classes.

System Action: The server will audit the driver classes and proceed to the next step.

User Response: None.

ANR4987E Audit processing failed: sufficient memory is not available for processing.

Explanation: At RUNFILE time, the server is unable to process the IDL data due to insufficient memory.

System Action: Server runfile stops.

User Response: Restart the server runfile process with more memory available.

ANR4988I Auditing Interface Driver Complex Class containers.

Explanation: The server is auditing the driver class containers.

System Action: The server will audit the driver class containers and proceed to the next step.

User Response: None.

ANR4989I Auditing Interface Driver Operations.

Explanation: The server is auditing the driver operations.

System Action: The server will audit the driver operations and proceed to the next step.

User Response: None.

ANR4990I Auditing Interface Driver Operation Parameters.

Explanation: The server is auditing the driver operation parameters.

System Action: The server will audit the driver operation parameters and proceed to the next step.

User Response: None.

ANR4991I Auditing Interface Driver Tasks.

Explanation: The server is auditing the driver tasks.

System Action: The server will audit the driver tasks and proceed to the next step.

User Response: None.

ANR4992I Auditing Interface Driver Task Members.

Explanation: The server is auditing the driver task members.

System Action: The server will audit the driver task members and proceed to the next step.

User Response: None.

ANR5000E (S/390)

Unable to load tape deletion exit.

Explanation: The tape deletion exit module specified in the options file cannot be loaded.

System Action: Server operation continues.

User Response: Ensure that the tape deletion exit module is in the system linklist or in the JOBLIB/STEPLIB for the server.

ANR5010E (S/390)

Unable to initialize disk driver - internal error *code* from IUCV.

Explanation: The server's disk driver cannot be initialized because the error *code* has been received from the IUCV DECLARE BUFFER function.

System Action: Server initialization fails.

User Response: For a description of the reported error code, refer to the IUCV documentation in the *CP Programming Services* publication for your specific operating system.

ANR5011E (S/390)

Unable to open disk *vaddr* - invalid virtual device address.

Explanation: A disk cannot be opened for processing because the specified virtual address is beyond the supported range. Virtual addresses must be specified in the range 0001 to FFFF.

System Action: Server operation continues.

User Response: Specify a valid virtual address.

ANR5012E (S/390)

Unable to open disk *vaddr* - error code received from FILEDEF.

Explanation: A disk cannot be opened for processing because the error *code* has been received from the FILEDEF command. The server enters one FILEDEF command per open disk so that the CMS DISKID function may be used.

System Action: Server operation continues.

User Response: For a description of the FILEDEF error code, refer to the *CMS Command Reference* publication for your operating system.

ANR5013E (S/390)

Unable to open disk *vaddr* - virtual disk not attached.

Explanation: A disk cannot be opened because the virtual disk is not attached to the server's virtual machine.

System Action: Server operation continues.

User Response: Ensure that the VM DASD volume containing the disk is online, and that the disk is properly linked to the server's virtual machine.

ANR5014E (S/390)

Unable to open disk *vaddr* - error code received from DISKID.

Explanation: A disk cannot be opened for processing because the error *code* has been received from the DISKID function.

System Action: Server operation continues.

User Response: For a description of the DISKID error code, refer to the *CMS Command Reference* publication for your operating system.

ANR5015E (S/390)

Unable to open disk *vaddr* - internal error code connecting to Block I/O System Service.

Explanation: A disk cannot be opened for processing because the IUCV CONNECT error *code* is received when attempting to connect to the CP DASD Block I/O System Service.

System Action: Server operation continues.

User Response: For a description of the IUCV CONNECT error code, refer to the IUCV documentation in the *CP Programming Services* publication for your specific operating system.

ANR5016E (S/390)

Unable to open disk *vaddr* - device type not supported.

Explanation: A disk cannot be opened for processing because its device type is not supported.

System Action: Server operation continues.

User Response: Use only the disk devices supported by the CP DASD Block I/O System Service.

ANR5017E (S/390)

Unable to open disk *vaddr* - block size not supported.

Explanation: A disk cannot be opened for processing because its formatted block size is not supported.

System Action: Server operation continues.

User Response: Use only the disks formatted with block sizes supported by the CP DASD Block I/O System Service.

ANR5018E (S/390)

Unable to open disk *vaddr* - IUCV path already exists to device.

Explanation: A disk cannot be opened because a path already exists for this device to the CP DASD Block I/O System Service.

System Action: Server operation continues.

User Response: Contact your service representative.

ANR5019E (S/390)

Unable to open disk *vaddr* - internal error *code* from Block I/O System Service.

Explanation: A disk cannot be opened for processing because the connection to the CP DASD Block I/O System Service has been severed with error *code*.

System Action: Server operation continues.

User Response: For a description of the severed error code, refer to the documentation for the CP DASD Block I/O System Service in the *CP Programming Services* publication for your specific operating system.

ANR5020E (S/390)

Unable to open disk *vaddr* - device is read-only.

Explanation: A disk cannot be opened for processing because it is accessible only as a read-only device. All server disks must be accessible in read/write mode.

System Action: Server operation continues.

User Response: Ensure that the disk is properly linked in read/write mode.

ANR5021E (S/390)

Unable to perform I/O to disk *vaddr* - internal error *code* on IUCV send.

Explanation: The IUCV SEND error *code* is received when the server attempts to perform I/O to a disk.

System Action: Server operation continues.

User Response: For a description of the IUCV SEND error code, refer to the IUCV documentation in the *CP Programming Services* publication for your specific operating system.

ANR5022E (S/390)

Unable to perform I/O to disk *vaddr* - permanent error writing to block *block*.

Explanation: The server encounters a permanent error while writing to the specified disk and block.

System Action: Server operation continues.

User Response: Reformat or replace the disk.

ANR5023E (S/390)

Unable to perform I/O to disk *vaddr* - permanent error reading from block *block*.

Explanation: The server encounters a permanent error while reading from the specified disk and block.

System Action: Server operation continues.

User Response: Reformat or replace the disk.

ANR5024E (S/390)

Unable to perform I/O to disk *vaddr* - format error detected.

Explanation: The server encounters a format error on the specified disk.

System Action: Server operation continues.

User Response: Reformat the disk by using the DSMDISK exec.

ANR5025E (S/390)

Disk *vaddr* has been reset and is no longer available.

Explanation: A disk is reset during operation because a CP RESET or DETACH command has been entered from the server's console.

System Action: The disk is marked off-line.

User Response: Ensure that the disk is properly reattached to the server's virtual machine.

ANR5026E (S/390)

Open of data set *dsn* failed, return code *rc*, reason code *reason*.

Explanation: Data set *dsn* cannot be opened.

System Action: Server operation continues.

User Response: Verify that *dsn* is a VSAM linear data set. If *dsn* is a valid VSAM linear data set, contact your service representative.

ANR5027E (S/390)

Open of DDNAME *ddname* failed, insufficient memory.

Explanation: The server is unable to open ddname *ddname* due to a lack of storage.

System Action: Server operation continues.

User Response: Increase the region for the server or lower the MAXSESSIONS parameter in the server options file. There are three ways to do this:

1. On VM, increase the size of the server's virtual machine. This requires that the default storage size be updated in the server's CP directory entry.
2. On MVS, increase the size of the REGION parameter on the JOB or EXEC statement of the JCL used to start the server.
3. Reduce the maximum number of client sessions permitted. To do this, edit the server options file and reduce the value specified for the MAXSESSIONS statement. Note that each client session causes an additional 64KB of memory to be allocated.
4. Decrease the amount of space allocated to the server's database buffer pool. To do this, edit the server options file and reduce the value specified for the BUFPOOLSIZ statement. Note that each buffer pool page causes an additional 4 KB of memory to be allocated.

Note that the server must be shut down (with the HALT command) before changes can be made to the server options file.

ANR5028E (S/390)

Open of data set *dsn* failed; zero pages in data set.

Explanation: The VSAM linear data set *dsn* has no space. This message appears when:

- you issue *def vol/dbvol/logvol* for a volume that has not been formatted using the *dsmfmt* utility
- you run the *dsmfmt* utility against a data set that is too small
- an existing data set has been corrupted

System Action: Server operation continues.

User Response: Run the *dsmfmt* utility, or reallocate the VSAM linear data set as appropriate.

ANR5030E (S/390)

Dynamic allocation of data set *dsn* failed, return code *rc*, error code *error-code*, info code *info-code*.

Explanation: The dynamic allocation of data set *dsn* fails. The return code *rc*, error code *error-code* and information code *info-code*, are in decimal and can be found in the Dynamic Allocation section of *MVS/ESA Programming: Authorized Assembler Services Guide*.

System Action: Server operation continues.

User Response: Ensure that the data set *dsn* is available for allocation by the server.

ANR5032E (S/390)

Unable to free DDNAME *dsn*, return code *rc*, error code *error-code*, info code *info-code*.

Explanation: The dynamic deallocation of data set *dsn* fails. The return code *rc*, error code *error-code* and information code *info-code* are in decimal and can be found in the Dynamic Allocation section of *MVS/ESA Programming: Authorized Assembler Services Guide*.

System Action: Server operation continues.

User Response: Contact your service representative.

ANR5033E (S/390)

Close of ddname *dsn* failed, return code *rc*, reason code *reason*.

Explanation: Data set *dsn* cannot be closed.

System Action: Server operation continues.

User Response: Verify that *dsn* is a VSAM linear data set. If *dsn* is a valid VSAM linear data set, contact your service representative.

ANR5034E (S/390)

Unable to allocate processor for ddname *dsn*.

Explanation: The number of simultaneous tapes supported by the server has been exceeded.

System Action: Server operation continues.

User Response: Contact your service representative for a fix that allows additional tapes.

ANR5035E (S/390)

Dynamic allocation of tape unit *unit* **failed, return code** *rc*, **error code** *error-code*, **info code** *info-code*.

Explanation: The dynamic allocation of a tape unit *unit* fails. The return code *rc*, error code *error-code*, and information code *info-code* are in decimal and can be found in the Dynamic Allocation section of *MVS/ESA Programming: Authorized Assembler Services Guide*.

System Action: Server operation continues.

User Response: Examine the MVS messages preceding this message. They should explain the cause of the allocation problem; otherwise, contact your service representative.

ANR5036E (S/390)

Open of tape unit *unit* (**ddname** *ddname*) **failed, return code** *rc*.

Explanation: Open of ddname *ddname* fails.

System Action: Server operation continues.

User Response: Examine the MVS messages preceding this message. The ANR1401W message and the volume name will explain the problem. If necessary, contact your service representative.

ANR5037E (S/390)

Unable to acquire processor, *dsn*.

Explanation: The number of simultaneous tapes supported by the server has been exceeded.

System Action: Server operation continues.

User Response: Contact your service representative for a fix that allows additional tapes.

ANR5039E (S/390)

Unable to open disk *vaddr* - IUCV MAXCONN value exceeded.

Explanation: The disk at virtual address *vaddr* cannot be opened due to a lack of IUCV connections.

System Action: Server operation continues.

User Response: Increase the IUCV MAXCONN value in the server CP directory entry and restart the server.

ANR5040E (S/390)

Data set name *dsn* contains qualifier *qual* that is longer than 8 characters.

Explanation: Data set *dsn* qualifier *qual* is too long. Data set qualifiers must be 1 to 8 characters long.

System Action: Server operation continues.

User Response: Specify data set name qualifiers with a maximum of 8 characters.

ANR5041E (S/390)

Data set name *dsn* contains a null qualifier.

Explanation: Data set *dsn* contains null qualifier (either 2 consecutive periods or an ending period without a subsequent qualifier). Data set qualifiers must be 1 to 8 characters long.

System Action: Server operation continues.

User Response: Specify valid data set name qualifiers.

ANR5042E (S/390)

Data set name *dsn* contains qualifier *qual* that does not begin, with an alpha character.

Explanation: Data set *dsn* qualifier *qual* does not begin with an alpha character. Data set qualifiers must start with an alpha character.

System Action: Server operation continues.

User Response: Specify data set name qualifiers that begin with an alpha character.

ANR5043E (S/390)

Data set name *dsn* contains qualifier *qual* that contains a character that is not alphanumeric.

Explanation: Data set *dsn* qualifier *qual* contains a character that is not alphanumeric. Data set qualifiers must contain only alphanumeric characters.

System Action: Server operation continues.

User Response: Specify data set name qualifiers that contain only alphanumeric characters.

ANR5044E (S/390)

Cannot format data set *dsn*. Data set is not empty.

Explanation: The server will not format *dsn* because it is not empty.

System Action: Server operation continues.

User Response: Verify that *dsn* is the correct data set you'd like to format. The server formats empty data sets only.

ANR5045E (S/390)

Failed to open dataset *dsn*. Error detected with the VSAM high-used (*VSAM high-used value*) or high-allocated (*VSAM high-allocated value*) values.

Explanation: The server did not open dataset *dsn*. The VSAM high-used and high-allocated attributes are outside of the range expected by the server. The values may have been corrupted by moving the dataset using anything other than a logical move.

System Action: Volume is marked read-only, or not brought on-line. Server operation continues.

User Response: Issue *listcat entry(dsn) all* to check the high-used and high-allocated values. If you moved the dataset, verify that a logical move was performed. Correct any user errors. Otherwise, contact your service representative.

ANR5046I (S/390)

Dynamic allocation of tape unit *unit* was cancelled by the operator.

Explanation: The dynamic allocation of a tape unit *unit* was cancelled by the operator.

System Action: Server operation continues, tape mount fails.

User Response: None.

ANR5048E (S/390)

Tape dataset allocation of block size changed from *server value* to *current value*.

Explanation: The server allocated the block size of its tape data set as *server value*, but it has been changed to *current value*.

System Action: Current tape operation fails.

User Response: Check for MVS or system application messages preceding this message that indicate what caused the change to the block size. Check for any system exits that may change the block size (for example, IEFDB401). Ensure that the server can use its original value for the block size.

ANR5049E (S/390)

Tape data set allocation of data set organization changed from hex *server value* to hex *current value*.

Explanation: The server allocated the data set organization of its tape data set as *server value*, but it has been changed to *current value* in the data control block (DCB).

System Action: Current tape operation fails.

User Response: Check for MVS or system application messages preceding this message that indicate what caused the change to the data set organization. Check for any system exits that may change the data set organization (for example, IEFDB401). Ensure that the server can use its original value for the data set organization. See *MVS/DFP V3R3 Macro Instructions for Data Sets* for valid values.

ANR5050E (S/390)

Tape data set allocation of record format changed from hex *server value* to hex *current value*.

Explanation: The server allocated the record format of its tape data set as *server value*, but it has been changed to *current value* in the data control block (DCB).

System Action: Current tape operation fails.

User Response: Check for MVS or system application messages preceding this message that indicate what caused the change to the record format. Check for any system exits that may change the record format (for example, IEFDB401). Ensure that the server can use its original value for the record format. See *MVS/DFP V3R3 Macro Instructions for Data Sets* for valid values.

ANR5051E (S/390)

Tape data set allocation of logical record length changed from *server value* to *current value*.

Explanation: The server allocated the logical record length of its tape data set as *server value*, but it has been changed to *current value*.

System Action: Current tape operation fails.

User Response: Check for MVS or system application messages preceding this message that indicate what caused the change to the logical record length. Check for any system exits that may change the logical record length (for example, IEFDB401). Ensure that the server can use its original value for the logical record length.

ANR5060E (S/390)

Unable to open VTAM ACB Name *name*, rc *code*.

Explanation: The server cannot be identified to VTAM with the ACB name specified.

System Action: Server operation continues. Support for the 3270 and SNALU6.2 COMMmethods is disabled. The server periodically tries to open the ACB and when successful, the 3270 and SNALU6.2 COMMmethods are enabled.

User Response: For a description of the reported error code, refer to *VTAM Programming*. If the ACB has been temporarily varied off, no action is required. The server periodically tries to open the ACB. If the ACB is not defined and the COMMmethods 3270 or SNALU6.2 are not supported for any clients, shut down the server with the HALT command and set the LUNAME statement in the server options file to *NONE*. If COMMmethods 3270 or SNALU6.2 are supported, contact your VTAM (network) administrator to ensure that the ACB name has been properly defined in a member of SYS1.VTAMLST.

ANR5061E (S/390)

Unable to issue SETLOGON for VTAM ACB Name *name*, rc *code*, reas *reason*, rpl: *rtncd* return code *fdb2* feedback.

Explanation: The server detects an error while informing VTAM that it is ready to accept a session.

System Action: Server operation continues. Support for the 3270 and SNALU6.2 COMMmethods is disabled. The server periodically tries to reissue the SETLOGON instruction.

User Response: For a description of the reported error code, refer to *VTAM Programming*.

ANR5062E (S/390)

Unable to allocate *number of bytes* bytes for VTAM control blocks.

Explanation: The server is unable to access the storage it needs to support the COMMmethods 3270 and SNALU6.2.

System Action: The COMMmethods 3270 and SNALU6.2 are disabled. If the storage for the global control block cannot be accessed, these COMMmethods remain disabled until the server is shut down with the HALT command and restarted. Otherwise, the server periodically tries to access the needed storage and when successful, the 3270 and SNALU6.2 COMMmethods are enabled. Server operation continues.

User Response: If the support for the COMMmethods 3270 and SNALU6.2 is needed immediately, shut down the server (with the HALT command), resolve the storage problem, and restart the server. If the COMMmethods 3270 and SNALU6.2 are not used, shut down the server, set the LUNAME to *NONE*, and restart the server.

ANR5063E (S/390)

Unable to allocate session number for LU LU ID.

Explanation: The server is unable to assign a session number to the incoming session.

System Action: Server operation continues. The server rejects the incoming session.

User Response: If the MAXSESSIONS statement in the server options file has been set correctly, the end-user (client) must wait until there is a free session before retrying to connect with the server. If the MAXSESSIONS statement is in error, shut down the server, correct the MAXSESSIONS statement, restart the server, and have the client retry connecting with the server.

ANR5064E (S/390)

Unable to allocate *number of bytes* bytes for VTAM session with LU LU ID.

Explanation: The server is unable to access the storage needed to support the incoming 3270 dial-in session.

System Action: Server operation continues. The incoming session is rejected.

User Response: Allocate additional storage to the server virtual machine. There are four ways to do this:

1. On VM, increase the size of the server's virtual machine. This requires that the default storage size be updated in the server's CP directory entry.

-
2. On MVS, increase the size of the REGION parameter on the JOB or EXEC statement of the JCL used to start the server.
 3. Reduce the maximum number of client sessions permitted. To do this, edit the server options file and reduce the value specified for the MAXSESSIONS statement. Note that each client session causes an additional 64KB of memory to be allocated.
 4. Decrease the amount of space allocated to the server's database buffer pool. To do this, edit the server options file and reduce the value specified for the BUFPOOLSIZE statement. Note that each buffer pool page causes an additional 4 KB of memory to be allocated.

Note that the server must be shut down (with the HALT command) to allow changes made to the server options file to take place.

ANR5065E (S/390)

Unable to open session with LU LU ID CID conversation ID, rc code reason reason, rpl: rtncd return code fdb2 feedback.

Explanation: The server encounters an error while accepting an incoming session by way of a VTAM OPNDST instruction. The session is rejected.

System Action: Server operation continues.

User Response: For a description of error code, refer to *VTAM Programming*.

ANR5066E (S/390)

Unable to close session with LU LU ID CID conversation ID, rc code reason reason, rpl: rtncd return code fdb2 feedback.

Explanation: The server encounters an error while ending a session.

System Action: Server operation continues.

User Response: For a description of the error code, refer to *VTAM Programming*.

ANR5067E (S/390)

Unable to close VTAM ACB Name name, rc code.

Explanation: The server detects an error while closing the ACB for the specified name.

System Action: The server proceeds with HALT command processing.

User Response: For a description of the reported error code, refer to *VTAM Programming*.

ANR5068E (S/390)

Unable to receive on session with LU LU ID CID conversation ID, rc code reason reason, rpl: rtncd return code fdb2 feedback sense sense code.

Explanation: The server encounters an error while receiving data on the session.

System Action: Server operation continues, and the session is ended.

User Response: For a description of the reported error code, refer to *VTAM Programming*.

ANR5069E (S/390)

Unable to send on session with LU LU ID CID conversation ID, rc code reason reason, rpl: rtncd return code fdb2 feedback sense sense code.

Explanation: The server encounters an error while sending data on the session.

System Action: Server operation continues, and the session is ended.

User Response: For a description of the reported error code, refer to *VTAM Programming*.

ANR5070I (S/390)

3270 Dial-in driver terminated as requested.

Explanation: The server's 3270 dial-in communications driver is ending as requested.

System Action: Server operation continues with support for the 3270 COMMMmethod disabled.

User Response: None.

ANR5071W (S/390)

Application resource name was defined to VTAM with APPC=NO.

Explanation: The specified VTAM application has been defined with APPC=NO. This definition, may be normal for your installation if SNALU6.2 is not used by the clients. If this is true, then this message can be ignored.

System Action: Server operation continues. Support for the SNALU6.2 is disabled.

User Response: If clients are using SNALU6.2, define the VTAM application with APPC=YES. For the server to recognize the new definition, you must stop the server by using the HALT command and restart the server.

ANR5080I (S/390)**IUCV driver ready for connection with clients.**

Explanation: The server's IUCV communications driver is ready to receive connection requests from clients.

System Action: Server operation continues. The IUCV is enabled.

User Response: None.

ANR5081E (S/390)**Unable to initialize IUCV driver - code *code*.**

Explanation: The server's IUCV communications driver cannot initialize itself because it received the error code *code* when entering the IUCV DECLARE BUFFER function.

System Action: Server initialization fails.

User Response: For a description of the reported error code, refer to the IUCV documentation in the *CP Programming Services* publication for your specific operating system, and the *TCP/IP for MVS Programmer's Reference* for your version of TCP/IP.

ANR5082W (S/390)**IUCV connection terminated - insufficient memory.**

Explanation: An IUCV connection request is refused by the server's IUCV communications driver because sufficient memory is not available to construct a session.

System Action: Server operation continues.

User Response: Allocate additional storage to the server virtual machine. There are three ways to do this:

1. On VM, increase the size of the server's virtual machine. This requires that the default storage size be updated in the server's CP directory entry.
 2. On MVS, increase the size of the REGION parameter on the JOB or EXEC statement of the JCL used to start the server.
 3. Reduce the maximum number of client sessions permitted. To do this, edit the server options file and reduce the value specified for the MAXSESSIONS statement. Note that each client session causes an additional 64 KB of memory to be allocated.
-

-
4. Decrease the amount of space allocated to the server's database buffer pool. To do this, edit the server options file and reduce the value specified for the BUFPOOLSIZE statement. Note that each buffer pool page causes an additional 4 KB of memory to be allocated.

Note that the server must be shut down (with the HALT command) before changes can be made to the server options file.

ANR5083E (S/390)**IUCV connection terminated - error *code* accepting connect request.**

Explanation: The server's IUCV communications driver is unable to accept a new connection from a client because error *code* has been received from the IUCV ACCEPT function.

System Action: Server operation continues.

User Response: For a description of the IUCV ACCEPT error code, refer to the IUCV documentation in the *CP Programming Services* publication for your specific operating system, and the *TCP/IP for MVS Programmer's Reference* for your version of TCP/IP.

ANR5084W (S/390)**IUCV connection terminated - server HALT in progress.**

Explanation: The server's IUCV communications driver refuses a request for a client connection because the HALT command has been entered.

System Action: The server rejects the session and proceeds with HALT command processing.

User Response: None.

ANR5085I (S/390)**IUCV driver unable to start. Server terminating.**

Explanation: The server is unable to start the thread to monitor the status of the IUCV communications driver.

System Action: The server shuts down.

User Response: If sufficient storage is available when this error occurs, contact your service representative. On MVS, ensure the region size parameter on the JCL is at least 128MB. Otherwise if on VM, ensure that the server virtual machine is at least 128MB in size.

ANR5086I (S/390)**IUCV driver terminated.**

Explanation: The IUCV communications driver has shut down.

System Action: Server operation continues. Support for the IUCV COMMmethod is disabled. The server periodically tries to restart the IUCV communications driver.

User Response: None.

ANR5087I (S/390)**IUCV driver starting.**

Explanation: The server is reporting that it is in the process of starting the IUCV communications driver.

System Action: The server attempts to initiate a process that will monitor the status of the IUCV communications driver.

User Response: None.

ANR5088E (S/390)**Unable to establish a wrap connection - return code *code*.**

Explanation: The server is unable to establish an IUCV connection with itself.

System Action: Server operation continues. Support for the IUCV COMMmethod is disabled. The server will periodically retry the connect.

User Response: For a description of this IUCV CONNECT error code, refer to the IUCV documentation in the *CP Programming Services* publication for your specific operating system, and the *TCP/IP for MVS Programmer's Reference* for your version of TCP/IP.

ANR5089I (S/390)**IUCV driver terminated as requested.**

Explanation: The server's IUCV communications driver is ending as requested.

System Action: Server operation continues with support for the ADMIUCV COMMmethod disabled.

User Response: None.

ANR5090I (S/390)**TCP/IP driver ready for connection with clients on port *port number*.**

Explanation: The server's TCP/IP communications driver is ready to receive connection requests from clients.

System Action: Server operation continues. Support for the TCP/IP COMMmethod is enabled.

User Response: None.

ANR5091E (S/390)

Unable to initialize TCP/IP driver - insufficient memory.

Explanation: The server's TCP/IP communications driver is unable to initialize itself due to insufficient memory (virtual storage).

System Action: Server initialization fails.

User Response: Allocate additional storage to the server virtual machine. There are three ways to do this:

1. On VM, increase the size of the server's virtual machine. This requires that the default storage size be updated in the server's CP directory entry.
2. On MVS, increase the size of the REGION parameter on the EXEC or JOB statement of the JCL used to start the server.
3. Reduce the maximum number of client sessions permitted. To do this, edit the server options file and reduce the value specified for the MAXSESSIONS statement. Note that each client session causes an additional 64KB of memory to be allocated.
4. Decrease the amount of space allocated to the server's database buffer pool. To do this, edit the server options file and reduce the value specified for the BUFPOOLSIZE statement. Note that each buffer pool page causes an additional 4KB of memory to be allocated.

Note that the server must be shut down (with the HALT command) before changes can be made to the server options file.

ANR5092E (S/390)

Unable to initialize TCP/IP driver - error creating acceptor socket.

Explanation: The server's TCP/IP communications driver is unable to create its critical listening socket, and so TCP/IP communications cannot be initialized.

System Action: Server initialization continues. TCP/IP communications initialization will be retried.

User Response: Check that TCP/IP is running, and that TCPName in the options file matches the TCP/IP subsystem name you intend to use.

ANR5093E (S/390)**Unable to establish TCP connection - accept error.**

Explanation: The server's TCP/IP communications driver detects an internal error while attempting to accept a new client connection.

System Action: Server operation continues.

User Response: Report the error to your service representative.

ANR5094W (S/390)**Unable to establish TCP connection - insufficient memory.**

Explanation: A TCP/IP connection request has been refused by the server's TCP/IP communications driver because sufficient memory is not available to construct a session.

System Action: Server operation continues.

User Response: Allocate additional storage to the server virtual machine. There are three ways to do this:

1. On VM, increase the size of the server's virtual machine. This requires that the default storage size be updated in the server's CP directory entry.
2. On MVS, increase the size of the REGION parameter on the EXEC or JOB statement of the JCL used to start the server.
3. Reduce the maximum number of client sessions permitted. To do this, edit the server options file and reduce the value specified for the MAXSESSIONS statement. Note that each client session causes an additional 64KB of memory to be allocated.
4. Decrease the amount of space allocated to the server's database buffer pool. To do this, edit the server options file and reduce the value specified for the BUFPOOLSIZE statement. Note that each buffer pool page causes an additional 4 KB of memory to be allocated.

Note that the server must be shut down (with the HALT command) before changes can be made to the server options file.

ANR5095W (S/390)**Unable to establish TCP connection - server HALT in progress.**

Explanation: The server's TCP/IP communications driver refuses a request for a client connection because the HALT command has been entered.

System Action: The server rejects the session and proceeds with HALT command processing.

User Response: None.

ANR5096W (S/390)

Unable to initialize OE BPX TCP/IP driver - TCP/IP is down level.

Explanation: Although the OS/390 is at V2R5 or above the level of TCP/IP is below V3R4 level, and so OE BPX TCP/IP communications cannot be initialized.

System Action: Server initialization continues. TCP/IP communications is initialized, instead of OE BPX TCP/IP.

User Response: Make sure the TCP/IP V3R4 or above is installed and running in the system if OE BPX TCP/IP communication is to be used.

ANR5097I (S/390)

TCP/IP driver terminated as requested.

Explanation: The server's TCP/IP communications driver is ending as requested.

System Action: Server operation continues with support for the TCP/IP COMMmethod disabled.

User Response: None.

ANR5098I (S/390)

TCP/IP driver starting.

Explanation: The server is in the process of starting the TCP/IP communications driver.

System Action: The server tries to initiate a thread that will monitor the status of the TCP/IP communications driver.

User Response: None.

ANR5099E (S/390)

Unable to initialize TCP/IP driver - error binding acceptor socket *socket number* (*rc = code*).

Explanation: The server's TCP/IP communications driver detects an internal error while attempting to bind the acceptor socket.

System Action: The server ends the TCP/IP acceptor process. Server operation continues without support for the TCP/IP COMMmethod. The server tries to restart the acceptor process periodically.

User Response: Report the error to your service representative.

ANR5100E (S/390)

Unable to initialize TCP/IP driver -error listening on acceptor socket *socket number (rc = code)*.

Explanation: The server's TCP/IP communications driver detects an internal error while attempting to listen for a connection on the acceptor socket.

System Action: The server ends the TCP/IP acceptor process. Server operation continues without support for the TCP/IP COMMmethod. The server periodically tries to restart the acceptor process.

User Response: Report the error to your service representative.

ANR5101W (S/390)

TCP/IP communications driver terminating.

Explanation: The server's TCP/IP communications driver has shut down.

System Action: Server operation continues without support for the TCP/IP COMMmethod option. The server periodically tries to restart the TCP/IP communications driver if the server is not in the process of shutting down.

User Response: If the server is not in the process of shutting down, this message may indicate that the TCP/IP server is not available or that a server internal error has occurred. Review the console log to determine if an internal error has occurred. If an internal error has occurred, contact your service representative. If the TCP/IP server is unavailable, correct the problem and the server will automatically reinitiate the TCP/IP communications driver.

ANR5102W (S/390)

Error received for connection *connection number (socket socket number)*. **TCP/IP driver will stop, then re-start.**

Explanation: The server's TCP/IP communications driver received an error for the specified connection.

System Action: The server stops the TCP/IP communications driver, and restarts the communications driver.

User Response: This process may take up to 5 minutes. If the condition persists, report the problem to your service representative.

ANR5103I (S/390)

CLIO/S (IBM)TCP/IP driver ready for service on port *clio port number*.

Explanation: The server's CLIO/S TCP/IP communications driver is ready to handle connection requests to and from AIX clients using COMMmethod CLIO through an IBM TCP/IP host network.

System Action: Server operation continues. Support for the TCPName and CLIOPort server options is enabled.

User Response: None.

ANR5104E (S/390)

Unable to initialize CLIO/S (IBM)TCP/IP driver - error creating listening socket.

Explanation: The server's CLIO/S communication driver is unable to create its critical listening socket; therefore, CLIO/S (IBM)TCP/IP communication cannot be initialized.

System Action: Server initialization continues. CLIO/S (IBM)TCP/IP communication initialization will be retried every minute. This message will be suppressed after being issued for the third time; however, attempts to initialize CLIO/S communications will continue every minute until message ANR5103I is issued indicating CLIO/S driver is ready for service.

User Response: Check that TCP/IP is running, and that TCPName, in the options file, matches the name of the target TCP/IP address space.

ANR5105I (S/390)

Interlink TCPaccess driver is ready for service on port *interlink port number*.

Explanation: The server's Interlink TCPaccess communications driver is ready to receive connection requests from clients connected through Interlink TCPaccess.

System Action: Server operation continues. Support for the ICSSname and ICSPort server options is enabled.

User Response: None.

ANR5106E (S/390)

Unable to initialize Interlink TCPaccess driver - error opening listen endpoint.

Explanation: The server's Interlink TCPaccess driver is unable to create its critical listen endpoint; Interlink TCPaccess communication cannot be initialized.

System Action: Server initialization continues. Interlink TCPaccess communications will be retried every minute and this message will be suppressed after being issued three times.

User Response: Check that TCPaccess is running and that ICSSname, in the options file, matches the TCPaccess subsystem name you intend to use. The ICSSname option should match the SSN parameter of the PROC statement in the TCPaccess startup procedure. Refer to Interlink TCPaccess publications for details.

ANR5107E (S/390)

Unable to initialize CLIO/S (IBM)TCP/IP driver - error binding acceptor socket *socket number (rc = code).*

Explanation: The server's TCP/IP communications driver detects an error while attempting to bind the acceptor socket.

System Action: The server ends the TCP/IP acceptor process. Server operation continues without support for the TCP/IP COMMmethod. The server tries to restart the acceptor process periodically.

User Response: Check that TCP/IP is running and that TCPName, in the options file, matches the name of the target TCP/IP address space.

ANR5108E (S/390)

The CLIO/S functions have not been linked into this module.

Explanation: The server cannot find the CLIO/S functions required to support CLIO (IBM)TCP/IP communications.

System Action: The connection to the server fails.

User Response: The cause of this error is the omission of the required post-SMP/E link-edit step to merge CLIO functions from SYS1.SFCFLIB(FCFIADSM). Before retrying the operation, ensure that your installation has performed the required post install link-edit step. Find the ADSM SAMPLIB and use member ANRCLIOK for an example of the required post-SMP/E link edit to load ANRSERV with CLIO/S communication code.

ANR5109E (S/390)

The CLIO/S communication driver cannot be started.

Explanation: The server is unable to start the CLIO/S communication driver because either TCPPort and CLIOPort server options are the same value or TCPName is coded with *NONE*.

System Action: The CLIO/S communication option will not be available and server initialization continues.

User Response: Check the server options file to ensure CLIOPort and TCPPort values are different. If the CLIOPort and TCPPort options are specified correctly, check the TCPName option to ensure *NONE* is not coded for this option. Specify a unique CLIOPort value and ensure a valid TCPName parameter is coded to allow the (IBM)TCP/IP CLIO/S communication driver to start. CLIOPort has no default value; however, TCPPort and TCPName default to 1500 and TCPIP respectively. This message can be eliminated if CLIO/S communication is not required by removing the CLIOPort option from the server option file and recycling the server.

ANR5110I (S/390)

3270 Dial-in driver ready for connection with clients.

Explanation: The server's 3270 dial-in communications driver is ready to receive connection requests from clients.

System Action: Server operation continues. Support for the 3270 COMMmethod is enabled.

User Response: None.

ANR5111E (S/390)

Unable to initialize 3270 dial-in driver - error defining GRAF devices.

Explanation: The server's 3270 dial-in communications driver is unable to define one or more CP GRAF devices, and is therefore unable to initialize itself.

System Action: Server initialization fails.

User Response: Contact your service representative.

ANR5112W (S/390)

Unable to define additional GRAF devices for dial-in.

Explanation: The server's 3270 dial-in communications driver is unable to define additional CP GRAF devices, and may not be able to accept subsequent connections from clients.

System Action: Server operation continues.

User Response: Contact your service representative.

ANR5113W (S/390)

3270 dial-in session terminated - insufficient memory.

Explanation: A 3270 dial-in connection request has been refused by the server's 3270 communications driver because sufficient memory is not available to construct a session.

System Action: Server operation continues.

User Response: Allocate additional storage to the server virtual machine. There are three ways to do this:

1. On VM, increase the size of the server's virtual machine. This requires that the default storage size be updated in the server's CP directory entry.
2. On MVS, increase the size of the REGION parameter on the EXEC or JOB statement of the JCL used to start the server.

-
3. Reduce the maximum number of client sessions permitted. To do this, edit the server options file and reduce the value specified for the MAXSESSIONS statement. Note that each client session causes an additional 64KB of memory to be allocated.
 4. Decrease the amount of space allocated to the server's database buffer pool. To do this, edit the server options file and reduce the value specified for the BUFPOOLSIZE statement. Note that each buffer pool page causes an additional 4 KB of memory to be allocated.

Note that the server must be shut down (with the HALT command) before changes can be made to the server options file.

ANR5114W (S/390)**3270 dial-in session terminated - device does not support structured fields.**

Explanation: The server's 3270 communications driver has refused a client connection request because the 3270 device initiating the connection does not support structured fields.

System Action: Server operation continues.

User Response: Retry the 3270 connection from a device that properly supports structured fields.

ANR5115W (S/390)**3270 dial-in session terminated - emulator not supported.**

Explanation: The server's 3270 dial-in communications driver has refused a connection request from a client, because the client's 3270 emulator does not or is not configured for the level of 3270 extended data stream support that the server requires.

System Action: Server operation continues.

User Response: Retry the 3270 connection by using a supported emulator program, such as the OS/2 Communications Manager, or the IBM Personal Communications/3270 program.

ANR5116I (S/390)**3270 Dial-in driver unable to start. Server terminating.**

Explanation: The server is unable to start the thread that monitors the status of the 3270 dial-in communications driver.

System Action: The server shuts down.

User Response: If sufficient storage is available when this error occurs, contact your service representative. Otherwise for VM, ensure that the storage for the server virtual machine is at least 128MB. For MVS, ensure the region size parameter on the JCL is at least 128MB.

ANR5117I (S/390)

3270 Dial-in driver terminated.

Explanation: The 3270 dial-in communications driver has shut down.

System Action: Server operation continues. Support for the 3270 COMMmethod is disabled. The server periodically tries to restart the 3270 dial-in communications driver.

User Response: None.

ANR5118I (S/390)

3270 Dial-in driver starting.

Explanation: The server is reporting that it is in the process of starting the 3270 dial-in communications driver.

System Action: The server tries to initiate a process that will monitor the status of the 3270 dial-in communications driver.

User Response: None.

ANR5120I (S/390)

APPC driver unable to start. Server terminating.

Explanation: The server is unable to start the thread that monitors the status of the APPC communications driver.

System Action: The server shuts down.

User Response: If sufficient storage is available when this error occurs, contact your service representative. Otherwise for VM, ensure that storage for the server virtual machine is at least 128MB. For MVS, ensure the region size parameter on the JCL is at least 128MB.

ANR5121I (S/390)

APPC driver ready for connections with clients on resource *resource name*.

Explanation: The server's APPC communications driver is reporting that it is ready to receive connection requests from clients.

System Action: Server operation continues. Support for the SNALU6.2 COMMmethod is enabled.

User Response: None.

ANR5122I (S/390)

APPC driver terminated.

Explanation: The APPC communications driver has shut down.

System Action: Server operation continues. Support for the SNALU6.2 COMMmethod is disabled. The server periodically tries to restart the APPC communications driver.

User Response: None.

ANR5123I (S/390)

APPC driver starting.

Explanation: The server is reporting that it is in the process of starting the APPC communications driver.

System Action: The server tries to initiate a thread that will monitor the status of the APPC communications driver.

User Response: None.

ANR5124E (S/390)

APPC driver unable to declare as resource *resource name, rc code, reason reason*.

Explanation: The server cannot connect to the *IDENT (the Identify System Service) to identify itself as the resource manager for the resource specified.

System Action: Server operation continues. Support for the SNALU6.2 COMMmethod is disabled. The server periodically tries to restart the APPC communications driver.

User Response: Ensure that the following IUCV statement is present in the CP directory entry for the server: IUCV *IDENT appc-resource GLOBAL REVOKE.

ANR5125E (S/390)

APPC connection terminated - error *code* **accepting connect request.**

Explanation: The server's APPC communications driver is unable to accept a new connection from a client, because error *code* has been received from the IUCV ACCEPT function.

System Action: Server operation continues.

User Response: For a description of the IUCV ACCEPT error code, refer to the IUCV documentation in the *CP Programming Services* publication for your specific operating system.

ANR5126W (S/390)

APPC connection terminated - server HALT in progress.

Explanation: The server's APPC communications driver refuses a request for a client connection because the HALT command has been entered.

System Action: The server rejects the session and proceeds with HALT command processing.

User Response: None.

ANR5127W (S/390)

APPC connection terminated - insufficient memory.

Explanation: An IUCV connection request is refused by the server's APPC communications driver because sufficient memory is not available to construct a session.

System Action: Server operation continues.

User Response: Allocate additional storage to the server virtual machine. There are three ways to do this:

1. On VM, increase the size of the server's virtual machine. This requires that the default storage size be updated in the server's CP directory entry.
2. On MVS, increase the size of the REGION parameter on the EXEC or JOB statement of the JCL used to start the server.
3. Reduce the maximum number of client sessions permitted. To do this, edit the server options file and reduce the value specified for the MAXSESSIONS statement. Note that each client session causes an additional 64KB of memory to be allocated.
4. Decrease the amount of space allocated to the server's database buffer pool. To do this, edit the server options file and reduce the value specified for the BUFPOOLSIZE statement. Note that each buffer pool page causes an additional 4 KB of memory to be allocated.

Note that the server must be shut down (with the HALT command) before changes can be made to the server options file.

ANR5128E (S/390)

Unable to allocate session number for LU LU ID.

Explanation: The server is unable to assign a session number to the incoming session.

System Action: Server operation continues. The server rejects the incoming session.

User Response: If the MAXSESSIONS statement in the server options file has been set correctly, the end-user (client) must wait until there is a free session before retrying to connect with the server. If the MAXSESSIONS statement is in error, shut down the server, correct the MAXSESSIONS statement, restart the server, and have the client retry to connect with the server.

ANR5129W (S/390)

VTAM APPC (LU62) conversation terminated - server HALT in progress.

Explanation: The server's APPC communications driver rejects a conversation because the HALT command has been entered.

System Action: The server rejects the conversation and proceeds with HALT command processing.

User Response: None.

ANR5130W (S/390)

VTAM APPC (LU62) conversation (*conversation ID*) with LU LU ID terminated - insufficient memory.

Explanation: An APPC conversation has been terminated by the server's APPC communications driver because sufficient memory is not available to support this conversation.

System Action: Server operation continues. The conversation is deallocated.

User Response: Allocate additional storage to the server virtual machine. There are three ways to do this:

1. Increase the size of the REGION parameter on the JOB or EXEC statement of the JCL used to start the server.
2. Reduce the maximum number of client sessions permitted. To do this, edit the server options file and reduce the value specified for the MAXSESSIONS statement. Note that each client session causes an additional 64KB of memory to be allocated.

-
3. Decrease the amount of space allocated to the server's database buffer pool. To do this, edit the server options file and reduce the value specified for the BUFPOOLSIZE statement. Note that each buffer pool page causes an additional 4 KB of memory to be allocated.

Note that the server must be shut down (with the HALT command) before changes can be made to the server options file.

ANR5131I (S/390)**APPC driver terminated as requested.**

Explanation: The server's APPC communications driver is reporting that it is terminating as requested.

System Action: Server operation continues with support for the SNALU6.2 COMMmethod disabled.

User Response: None.

ANR5132W (S/390)**VTAM APPC (LU62) support is not available with current session.**

Explanation: The server's VTAM APPC (LU6.2) communications driver is not available. Clients that use the SNALU6.2 communications method cannot establish a session with the server. Refer to ANR5071W, which was displayed prior to this message, for additional information. If the SNALU6.2 communication method is not used, ignore this message and message ANR5071W.

System Action: Server operation continues without support for the SNALU6.2 COMMmethod.

User Response: Verify that the server application is defined correctly to VTAM. APPC=YES must be specified with the VTAM APPL macro when defining the server application when SNALU6.2 support is used.

ANR5133W (S/390)**VTAM APPC (LU62) connect request rejected.**

Explanation: A client's VTAM APPC (LU6.2) connect request was rejected because the LU6.2 communications driver is not available. This process may be the result of the server application not being defined correctly to VTAM. The application must be defined with APPC=YES with the APPL macro to enable SNALU6.2 support on the server.

System Action: VTAM message IST663I and other related messages are displayed; server operation continues.

User Response: Verify that the server application is defined correctly to VTAM. APPC=YES must be specified with the VTAM APPL macro when defining the server application.

ANR5140I (S/390)

HTTP (IBM) communications is listening for clients on port *port number*.

Explanation: The server's HTTP (IBM) TCP/IP communications driver is ready to receive connection requests from Web clients.

System Action: Server operation continues. Support for Web Client HTTP communication is enabled.

User Response: None.

ANR5148I (S/390)

HTTP (TCPAccess) driver is listening for clients on port *port number*.

Explanation: The server's HTTP (TCPAccess) TCP/IP communications driver is ready to receive connection requests from Web clients.

System Action: Server operation continues. Support for Web Client HTTP over TCPAccess is enabled.

User Response: None.

ANR5200S (S/390)

Unable to connect to the *MSG System Service, rc = *code*.

Explanation: The server receives return code *code* from the IUCV CONNECT function when connecting to the *MSG System Service.

System Action: The server shuts down.

User Response: Determine the cause of the error code, correct the problem, and restart the server. For a description of the reported error code, refer to the IUCV documentation in the *CP Programming Services* publication, or the publication for your operating system that contains documentation for the IUCV CONNECT function.

ANR5201S (S/390)

Error *code* from *MSG System Service path *path ID*.

Explanation: An error occurs on the IUCV path to the *MSG System Service.

System Action: The server shuts down.

User Response: Determine the cause of the error code, correct the problem, and restart the server. For a description of the reported error code, refer to the IUCV

documentation in the *CP Programming Services* publication, or the publication for your operating system that contains IUCV documentation.

ANR5202E (S/390)

Unable to communicate with any Notify user ID.

Explanation: The server is unable to send a message to any user ID specified on the NOTIFY option in the DSMSEV OPT file.

System Action: Server operation continues.

User Response: Have someone with an authorized NOTIFY user ID log on to the system.

ANR5203E (S/390)

Unable to communicate with any Mount Operator.

Explanation: The server is unable to send a message to any user ID specified on the MOUNTOP option in the DSMSEV OPT file.

System Action: Server operation continues.

User Response: Have someone with an authorized MOUNTOP user ID log on to the system.

ANR5204I (S/390)

Autolog-response

Explanation: The result of the XAUTOLOG command for the mount exit virtual machine is *Autolog-response*.

System Action: Server operation continues.

User Response: None.

ANR5205I (S/390)

From *userid*: *msg*.

Explanation: The message *msg* has been received from a nonauthorized user ID *userid*.

System Action: Server operation continues.

User Response: If the user ID *userid* is a server mount operator, ensure that the user ID is in the MOUNTOP list in the server options file.

ANR5208I (S/390)**Dismounting volume *volser* (updated).**

Explanation: The volume *volser* is dismounted after being updated (written to) by the server. Possible reasons for the dismount include:

- The volume was found idle and the drive was needed for another volume
- The volume is dismounted as a result of the DISMOUNT VOLUME command
- The volume is dismounted because of a previously reported error condition.

System Action: Server operation continues.

User Response: None.

ANR5209I (S/390)**Dismounting volume *volser* (read-only access).**

Explanation: The volume *volser* is dismounted after read-only access by the server. Possible reasons for the dismount include:

- The volume was found idle and the drive was needed for another volume
- The volume is dismounted as a result of the DISMOUNT VOLUME command
- The volume is dismounted because of a previously reported error condition.

System Action: Server operation continues.

User Response: None.

ANR5210I (S/390)

Request number: Mount devclass volume ID at vaddr mode within number of minutes minutes.

Explanation: The server has requested a volume be mounted.

System Action: The running task waits until the mount is satisfied or canceled.

User Response: Use the DSMOP command to satisfy or cancel the mount request.

ANR5211I (S/390)

Request number: Mount devclass volume ID at vaddr mode (format) within number of minutes minutes.

Explanation: The server has requested a volume with a specific format be mounted.

System Action: The running task waits until the mount is satisfied or canceled.

User Response: Use the DSMOP command to satisfy or cancel the mount request.

ANR5212I (S/390)

Request number: Mount devclass volume ID at vaddr mode via Exit Machine machine name.

Explanation: The server has requested a volume be mounted.

System Action: The running task waits until the mount is satisfied or canceled.

User Response: Use the DSMOP command to satisfy or cancel the mount request.

ANR5213I (S/390)

Request number: Mount devclass volume ID at vaddr mode (format) via Exit Machine machine name.

Explanation: The server has requested a volume with a specific format be mounted.

System Action: The running task waits until the mount is satisfied or canceled.

User Response: Use the DSMOP command to satisfy or cancel the mount request.

ANR5214I (S/390)

Request number: Mount devclass volume ID at vaddr mode waiting for available Exit Machine.

Explanation: The server has requested a volume be mounted.

System Action: The running task waits until the mount is satisfied or canceled.

User Response: Use the DSMOP command to satisfy or cancel the mount request.

ANR5215I (S/390)

Request number: Mount devclass volume ID at vaddr mode (format) waiting for available Exit Machine.

Explanation: The server has requested a volume be mounted.

System Action: The running task waits until the mount is satisfied or canceled.

User Response: Use the DSMOP command to satisfy or cancel the mount request.

ANR5216I (S/390)

Type volser is expected to be mounted (mode).

Explanation: The server requires the volume *volser* be in read/write or read/only mode as indicated by *mode* on a device type indicated by *type*.

System Action: Server operation continues.

User Response: Locate the specified volume and be prepared to make it available to the server.

ANR5217I (S/390)

Dismounting volume *volser* - retention minute mount retention expired.

Explanation: The volume *volser* is dismounted because the MOUNTRETENTION value *retention* specified for this device class has elapsed without activity on this volume.

System Action: Server operation continues.

User Response: None.

ANR5218I (S/390)

Detaching tape device *vaddr* - not requested by server.

Explanation: The virtual address *vaddr* is detached because it has not been requested by the server.

System Action: Server operation continues.

User Response: Check the virtual address requested by the server for tape mounts. Reissue the CP ATTACH command and specify the correct virtual address.

ANR5220I (S/390)

Deleting type *volser* from Storage Pool *pool*.

Explanation: The volume *volser* of device type *type* has been removed from storage pool *pool*.

System Action: Server operation continues.

User Response: The server no longer uses the volume specified. You can return the volume to the scratch pool.

ANR5221I (S/390)

Request: Delete type *volser* via Exit Machine *userid*.

Explanation: The deletion of volume *volser* of device type *type* is scheduled for Mount Exit Virtual Machine *userid* as request number *request*.

System Action: Server operation continues.

User Response: None.

ANR5222I (S/390)

Request: Delete type *volser* waiting for available Exit Machine.

Explanation: The deletion of volume *volser* of device type *type* is waiting for an available Mount Exit Virtual Machine *userid* as request number *request*.

System Action: Server operation continues.

User Response: None.

ANR5223E (S/390)

Deletion Exit for *volser* (storage pool *pool*) failed - unknown Rc=*rc*.

Explanation: The deletion of volume *volser* in storage pool *pool* fails.

System Action: Server operation continues.

User Response: Contact service representative.

ANR5224E (S/390)

Deletion Exit for *volser* (storage pool *pool*) failed - ExitRc=*rc*, Rc=*abend-indicated*.

Explanation: The deletion of volume *volser* in storage pool *pool* fails.

System Action: Server operation continues.

User Response: If the exit return code *rc* is nonzero, check the documentation for the tape deletion exit specified in the server options file. If the tape deletion exit has abended, the indicator *abend-indicated* is nonzero.

ANR5225E (S/390)

Deletion Exit for *volser* (storage pool *pool*) failed - unable to get device class information.

Explanation: The deletion of volume *volser* in storage pool *pool* has failed due to an internal server error.

System Action: Server operation continues.

User Response: Contact your service representative.

ANR5226E (S/390)

Deletion Exit for *volser* (storage pool *pool*) failed - unable to start background thread.

Explanation: The deletion of volume *volser* in storage pool *pool* has failed due to an internal server error.

System Action: Server operation continues.

User Response: Contact your service representative.

ANR5227E (S/390)

Deletion Exit for *volser* (storage pool *pool*) failed - insufficient memory.

Explanation: The deletion of volume *volser* in storage pool *pool* fails due to lack of available storage.

System Action: Server operation continues.

User Response: Increase the region or virtual machine size for the server or reduce the MAXSESSIONS value in the server options file.

ANR5228I (S/390)

Deleting type *volser* from volume history (previous use volume).

Explanation: The volume *volser* in device type *type* has been deleted from the volume history. It was previously used for *previous use*.

System Action: Server operation continues.

User Response: The server no longer tracks the volume specified. You can return the volume to the scratch pool.

ANR5229W (S/390)

RACROUTE Delete failed for *volser*, SAF return code *System Authorized Facility return code*, return code *RACF return code*, reason code *RACF reason code*.

Explanation: The deletion of the profile for volume *volser* failed. The return codes and reason code are the result of a RACROUTE call. The codes are in hex. The SAF return code is designated as x0yy where yy is the SAF return code and x indicates the call as follows:

x=1 RACROUTE REQUEST=DEFINE, TYPE=DELETE, CLASS='TAPEVOL', ENTITY=volume

x=2 RACROUTE REQUEST=STAT, CLASS='TAPEVOL'

x=3 RACROUTE REQUEST=DEFINE, TYPE=DELETE, CLASS='DATASET', VOLSER=volume, ENTITY=tape dataset name

The failure of the profile deletion is not an error if the volume did not have a profile. No profile will exist for a volume if the server was not set up to request a profile (DEVCLASS parameter PROTECTION=NO) when the volume was first used, or if the server never used the volume.

System Action: Server operation continues.

User Response: If the RACF profile exists for the volume, check the system log for error messages to find the cause of the problem. The profile for the volume

specified in the message will have to be deleted by issuing the appropriate RACF commands. For Information on the return codes and reason code, see *External Security Interface (RACROUTE) Macro Reference for MVS*.

ANR5230I (S/390)

Request number: Starting Exit Machine mountvm to mount devclass volume ID.

Explanation: The server has autologged a mount exit virtual machine to handle a mount request.

System Action: The server autologs a mount exit virtual machine.

User Response: None.

ANR5231I (S/390)

Request number: Starting Exit Machine mountvm to delete devclass volume ID.

Explanation: The server autologs a mount exit virtual machine to handle a mount delete request.

System Action: The server autologs a mount exit virtual machine.

User Response: None.

ANR5232W (S/390)

[XAUTOLOG] mountvm failed with return code code.

Explanation: An error occurs during XAUTOLOG of a mount exit virtual machine.

System Action: The server retries the command. If the command continues to fail, the mount exit machine is marked off-line, and another mount exit machine is used.

User Response: If the mount exit machine is placed in the off-line status, determine the cause, correct the problem, and use the DSMOP or administrator READY EXIT command to restore the mount exit machine to the ready status.

ANR5233E (S/390)

Exit Machine mountvm taken offline - nn command attempts failed.

Explanation: The number of XAUTOLOG attempts has exceeded an internal threshold. The mount exit virtual machine is no longer used.

System Action: The server marks the mount exit virtual machine off-line.

User Response: To make the mount exit machine available, determine the cause of the autolog failure. Correct the problem and use the DSMOP or administrator READY EXIT command to restore the mount exit machine to the ready status.

ANR5234E (S/390)

All Exit Machines are "Offline".

Explanation: All the defined mount exit virtual machines have been placed in the off-line status by the server.

System Action: Any mount requests by the server are queued.

User Response: Determine the cause of the autolog failures of all the mount exit virtual machines, correct any problems and use the DSMOP or administrator READY EXIT command to make the mount exit machines available.

ANR5240E (S/390)

Request number: Mount for volume ID has timed out.

Explanation: The mount request has not been satisfied in the requested time.

System Action: The server cancels the mount request.

User Response: None.

ANR5241E (S/390)

Exit Machine *mountvm* not logged on, mount for volume ID cancelled.

Explanation: A mount exit virtual machine has logged off without satisfying the server's mount request.

System Action: The server cancels the mount request.

User Response: None.

ANR5250E (S/390)

Command: User *user ID* not authorized.

Explanation: An unauthorized user has attempted to enter a DSMOP command.

System Action: The server does not process the command.

User Response: If the user should be authorized, add that user ID on the REPLYOP option in the DSMSERV OPT file.

ANR5251E (S/390)

Command: Invalid request number - *request number*.

Explanation: A DSMOP command has been entered with an incorrect request number.

System Action: The server does not process the command.

User Response: Enter the command with the correct request number.

ANR5252E (S/390)

Command: No match found for this request number.

Explanation: The request number specified by the DSMOP command is not in the list of outstanding mount requests.

System Action: The server does not process the command.

User Response: Enter the command with the correct request number.

ANR5253E (S/390)

Request: Invalid device address - *raddr*.

Explanation: The response to server request number *request* has specified an invalid real device address *raddr*.

System Action: Server operation continues.

User Response: Respond to the request again, by specifying a valid real device address.

ANR5254E (S/390)

Command: CP command *command name* failed.

Explanation: A DSMOP CANCEL REQUEST or a DSMOP REPLY command fails.

System Action: The server tries to enter the CP command *command* and receives a nonzero return code.

User Response: If you have entered a DSMOP CANCEL REQUEST, force the mount exit virtual machine to cancel the mount request with the FORCE option. To use the DSMOP CANCEL REQUEST command when running the mount exit, the server must have FORCE privilege. If you have entered a DSMOP REPLY command, attach the device to the server with the ATTACH option. To use the DSMOP REPLY command, the server must have ATTACH privilege.

ANR5255E (S/390)

Command: No matching Exit Machines were found "Offline".

Explanation: A READY EXIT command has been issued and all Mount Exit Virtual Machines are ready.

System Action: Server operation continues.

User Response: None.

ANR5256E (S/390)

Command: **Invalid match pattern specified for Exit Machine name.**

Explanation: A DSMOP READY command has been entered specifying a user ID that is not a defined mount exit virtual machine.

System Action: The server does not process the command.

User Response: Enter the command and specify the correct mount exit virtual machine name.

ANR5257I (S/390)

Command: **No requests outstanding.**

Explanation: A DSMOP QUERY MOUNTS command has been entered when no mount requests are outstanding.

System Action: Server operation continues.

User Response: None.

ANR5258E (S/390)

Command: **Command not valid when Exit is active.**

Explanation: A DSMOP REPLY command has been entered by a reply operator when the mount exit is active.

System Action: The server does not process the command.

User Response: The DSMOP REPLY command is invalid when the mount exit is used. When using mount exit machines, all mount requests are issued from the mount exit machines using your installation's procedures.

ANR5259E (S/390)

Command: **Command not valid when Exit is not active.**

Explanation: A DSMOP READY command or a DSMOP QUERY EXITS command has been entered when the mount exit is not being used.

System Action: The server does not process the command.

User Response: None.

ANR5260E (S/390)

Command: **Volume volume not found.**

Explanation: A DISMOUNT VOLUME command was issued, but the volume to be dismounted cannot be found.

System Action: Server operation continues.

User Response: Ensure that the correct volume name is entered.

ANR5261E (S/390)

Command: Volume volume is not "Idle".

Explanation: A DISMOUNT VOLUME command has been issued, but the volume is in use and cannot be dismounted.

System Action: Server operation continues.

User Response: If it is necessary to dismount the volume, cancel the session or process that is using the volume, and reissue the command.

ANR5262E (S/390)

Command: Device raddr not found.

Explanation: A DISMOUNT DEVICE command has been issued, but the device to be dismounted cannot be found.

System Action: Server operation continues.

User Response: Ensure that the correct device has been specified.

ANR5263E (S/390)

Command: Device raddr is not "Idle".

Explanation: A DISMOUNT DEVICE command has been issued, but the device is in use and cannot be dismounted.

System Action: Server operation continues.

User Response: If it is necessary to dismount the device, cancel the session or process that is using the volume, and reissue the command.

ANR5264I (S/390)

Command not executed - password has expired.

Explanation: An administrative command has been issued, but the administrator's password has expired.

System Action: Server operation continues.

User Response: Update your password by starting an administrative client session. Alternatively, the server system administrator may use the UPDATE ADMIN command to update an administrator's password.

ANR5265I (S/390)

Command not executed - administrator name is locked.

Explanation: An administrative command has been issued, but the administrator's user ID is locked from accessing the server.

System Action: Server operation continues.

User Response: The server system administrator can issue the UNLOCK ADMIN command to restore access to a server administrative user ID.

ANR5266I (S/390)

Command not executed - insufficient memory.

Explanation: An administrative command has been issued, but there is insufficient memory to execute the command.

System Action: Server operation continues.

User Response: Increase the region or virtual machine size for the server or lower the MAXSESSIONS parameter in the server options file and restart the server.

ANR5267I (S/390)

Command not executed - internal error detected.

Explanation: An administrative command has been issued, but there is a detected internal processing error that prevents the command from executing.

System Action: Server operation continues.

User Response: Look for preceding message concerning access to administrative user ID information within the server and contact your service representative.

ANR5268I (S/390)

Command not executed - insufficient recovery log space.

Explanation: An administrative command has been issued, but there is insufficient recovery log space to complete the database transaction.

System Action: Server operation continues.

User Response: To increase the amount of log space available to the server, an authorized administrator can add log volumes using the DEFINE LOGVOLUME command, and extend the size of the log using the EXTEND LOG command.

ANR5269I (S/390)

Command not executed - insufficient database space.

Explanation: An administrative command has been issued, but there is insufficient database space to complete the database transaction.

System Action: Server operation continues.

User Response: To increase the amount of database space available to the server, an authorized administrator can add database volumes using the DEFINE DBVOLUME command, and extend the size of the database using the EXTEND DB command.

ANR5270I (S/390)

SMFWTM macro return code 40 (buffer shortage).

Explanation: SMFWTM completed with return code 40.

System Action: The server continues to operate.

User Response: Increase SMF buffer limit or disable server accounting.

ANR5280I (S/390)

Command accepted.

Explanation: A DSMOP REPLY command is accepted.

System Action: The server processes the DSMOP REPLY command.

User Response: None.

ANR5281I (S/390)

Request *request number* for volume ID canceled by user ID.

Explanation: A mount request is successfully canceled.

System Action: The system cancels the mount request.

User Response: None.

ANR5282I (S/390)

Request *request number* for volume ID cancelled (PERM) by user ID.

Explanation: A mount request is successfully canceled with the PERM option.

System Action: The system cancels the mount request and marks the volume as unavailable.

User Response: None.

ANR5283I (S/390)

Exit Machine *mountvm* status set to "Ready".

Explanation: A DSMOP READY command has been entered.

System Action: The server changes the status of the mount exit virtual machine to ready.

User Response: None.

ANR5284I (S/390)

Requests outstanding:

Explanation: The list of currently outstanding mount requests follows.

System Action: The server lists all outstanding mount requests or the one specified on the DSMOP QUERY command.

User Response: None.

ANR5285I (S/390)

Exit Machine Status:

Explanation: The list of mount exit virtual machine status follows.

System Action: The server lists the status of all mount exit virtual machines or the status of the one specified on the DSMOP QUERY command.

User Response: None.

ANR5286I (S/390)

Exit Machine *mountvm*: "Ready".

Explanation: The status of a mount exit virtual machine is ready.

System Action: Server operation continues.

User Response: None.

ANR5287I (S/390)

Exit Machine *mountvm*: "Busy".

Explanation: The status of a mount exit virtual machine is busy.

System Action: Server operation continues.

User Response: None.

ANR5288I (S/390)

Exit Machine mountvm: "Offline".

Explanation: The status of a mount exit virtual machine is off-line.

System Action: Server operation continues.

User Response: None.

ANR5289I (S/390)

Volume *volume* (class *class*) mounted *mode* on *raddr*, status: "Idle".

Explanation: Volume *volume*, which is of device class *class* and is mounted at address *raddr* in mode *mode*, is eligible for dismounting or reuse.

System Action: Server operation continues.

User Response: None.

ANR5290I (S/390)

Volume *volume* (class *class*) mounted *mode* on *raddr*, status: "In Use".

Explanation: Volume *volume*, which is of device class *class* and is mounted at address *raddr* in mode *mode*, is in use by the server.

System Action: Server operation continues.

User Response: None.

ANR5291I (S/390)

Volume *volume* (class *class*) mounted *mode* on *raddr*, status: "Dismounting".

Explanation: Volume *volume*, which is in device class *class* and is mounted at address *raddr* in mode *mode*, is in the process of dismounting.

System Action: Server operation continues.

User Response: None.

ANR5292I (S/390)

***number* volume(s) found.**

Explanation: A QUERY MOUNT command has been issued; *number* volumes are mounted.

System Action: Server operation continues.

User Response: None.

ANR5293I (S/390)

Cancelled mount for volume *volume*.

Explanation: A CANCEL MOUNT command has been issued for volume *volume*. The CANCEL command is being processed.

System Action: Server operation continues.

User Response: Query the activity log to verify that the mount request has been cancelled.

ANR5294I (S/390)

Volume *volume* (class *class*) mounted *mode*, status: "Idle".

Explanation: Volume *volume*, which is in device class *class* in mode *mode*, is eligible for dismounting or reuse.

System Action: Server operation continues.

User Response: None.

ANR5295I (S/390)

Volume *volume* (class *class*) mounted *mode*, status: "In Use".

Explanation: Volume *volume*, which is in device class *class* in mode *mode*, is in use by the server.

System Action: Server operation continues.

User Response: None.

ANR5296I (S/390)

Volume *volume* (class *class*) mounted *mode*, status: "Dismounting".

Explanation: Volume *volume*, which is in device class *class* in mode *mode*, is in the process of dismounting.

System Action: Server operation continues.

User Response: None.

ANR5297I (S/390)

Volume *volume* (class *class*) mounted *mode*, status: "In Retry".

Explanation: Volume *volume*, which is in device class *class* in mode *mode*, is currently in RETRY. An attempt is being made to re-establish communications with another server. If the volume remains in retry status for the amount of time specified by the device class retry period, the operation will fail and the volume will be automatically dismounted.

System Action: Server operation continues.

User Response: None.

ANR5300I (S/390)

Verifying volume label *volume ID on device real address.*

Explanation: The server is verifying the volume label of a mounted read/write volume again prior to dismounting the volume.

System Action: The server performs the reverification of the volume label as an integrity check of the volume.

User Response: None.

ANR5301I (S/390)

Request number: Verifying volume label volume ID on device device.

Explanation: The server is verifying the volume label of a mounted volume during the mount process.

System Action: The server ensures that the volume mounted is acceptable.

User Response: None.

ANR5302I (S/390)

Request number: Assigning volume volume ID to SCRATCH.

Explanation: The server has assigned the mounted volume to be used as the requested scratch volume.

System Action: The server dynamically adds the volume label of the mounted volume to the storage pool.

User Response: None.

ANR5303I (S/390)

Request number: Assigning volume volume ID to EXPORT.

Explanation: The server has assigned the mounted volume to be used as the requested export volume.

System Action: The server uses the volume for the EXPORT operation.

User Response: None.

ANR5304I (S/390)

Request number: Assigning volume volume ID to IMPORT.

Explanation: The server has assigned the mounted volume to be used as the requested import volume.

System Action: The server uses the volume for the IMPORT operation.

User Response: None.

ANR5305E (S/390)

Request number: Device real address is not a supported devclass device.

Explanation: A device is attached to the server to satisfy a mount request, but it is the wrong device class. For example, a CARTRIDGE device has been used when the request is for a REEL device.

System Action: The server dismounts the volume, detaches the device, and requests the original volume again.

User Response: Make sure the device used to satisfy a mount request is the same type as the device requested.

ANR5306E (S/390)

Request number: Device real address not capable.

Explanation: The server requested a volume with a specific density or format. The device used to satisfy the mount cannot write using the requested density or format.

System Action: The server dismounts the volume, detaches the device, and requests the original volume again.

User Response: Mount the volume on a device capable of the requested density or format.

ANR5307E (S/390)

Request number: Volume on real address is write protected.

Explanation: The mounted volume is not enabled for writing.

System Action: The server dismounts the volume, detaches the device, and requests the original volume again.

User Response: Enable the volume for writing and reply to the mount again.

ANR5308E (S/390)

Request number: Volume on real address is not write protected.

Explanation: The mounted volume is not write protected.

System Action: The server dismounts the volume, detaches the device, and requests the original volume again.

User Response: Disable the volume for writing and reply to the mount again.

ANR5309E (S/390)

Request number: Volume on real address has no VOL1 label.

Explanation: The mounted volume does not have a standard label.

System Action: The server dismounts the volume, detaches the device, and requests the original volume again.

User Response: Make sure you are mounting the correct volume. All volumes must have a standard VOL1 label.

ANR5310E (S/390)

Volume on real address has no VOL1 label - volume integrity compromised.

Explanation: During volume unmount label reverification, the server finds no VOL1 label.

System Action: The server marks the volume as unavailable.

User Response: The volume cannot be used because the VOL1 label has been overwritten. All active data on the volume cannot be recovered. Delete the volume from the storage pool with the DELETE VOLUME command by using the DISCARD=YES option. To use this volume again, the volume must be initialized with a VOL1 label. The volume may then be redefined in the storage pool.

ANR5311E (S/390)

Request number: Volume label on raddr (volume ID found) does not match volume ID expected.

Explanation: During mount processing, the volume ID read on the mounted volume does not match the specifically requested partially full volume.

System Action: The server dismounts the volume, detaches the device, and requests the original volume again.

User Response: Make sure you are mounting the correct volume.

ANR5312E (S/390)

Volume label on raddr (volume ID found) does not match volume ID expected - volume integrity compromised.

Explanation: During volume unmount label reverification, the server finds a different VOL1 label.

System Action: The server marks the volume as unavailable.

User Response: The volume cannot be used because the VOL1 label has been overwritten by a different VOL1 label. All active data on the volume cannot be recovered. Delete the volume from the repository with the DELETE VOLUME command by using the NORECLAIM option. To use this volume again, the volume must be initialized with a VOL1 label. The volume may then be redefined in the repository.

ANR5313I (S/390)

Request number: Mount for volume ID complete on device real address.

Explanation: A volume mount has successfully completed.

System Action: The task waiting for a volume mount resumes.

User Response: None.

ANR5314E (S/390)

Request number: Permanent I/O error on device real address.

Explanation: A permanent I/O error occurred when the device was opened.

System Action: The server dismounts the volume, detaches the device, and requests the original volume again.

User Response: Mount the volume on a different device.

ANR5315E (S/390)

Read Data Check on device real address.

Explanation: A data check occurred during a read operation.

System Action: The server redrives the I/O by using Diagnose X'20' or Diagnose X'A8'.

User Response: None.

ANR5316E (S/390)

Write Data Check on device real address.

Explanation: A data check occurred during a write operation.

System Action: The server redrives the I/O by using Diagnose X'20' or Diagnose X'A8'.

User Response: None.

ANR5317I (S/390)

Make device *real address* ready.

Explanation: The device is in a not ready condition.

System Action: The server sends an intervention required message to the mount operator user IDs listed in the DSMSERV OPT file.

User Response: Make the device ready.

ANR5318I (S/390)

Intervention cleared on device *real address*.

Explanation: The device requiring operator intervention is now ready.

System Action: The task waiting for the device continues.

User Response: None.

ANR5319I (S/390)

Intervention required on device *real address*.

Explanation: The device requires operator intervention.

System Action: The task waits until the device is made ready.

User Response: Make the device ready.

ANR5320I (S/390)

Volume *volume ID* already in use.

Explanation: A tape volume has been mounted for use by the server; after mounting the volume, the server determined that the volume was already in use by the server and could not be used to satisfy the current mount request.

System Action: The server dismounts the volume, detaches the device, and reissues the original request.

User Response: Mount a volume not already in use by the server.

ANR5321I (S/390)

End of volume reached for *volume ID* on device *real address*.

Explanation: During processing of a read/write tape volume, the end of the tape volume has been reached.

System Action: The volume is marked read-only and kept mounted for later use.

User Response: None.

ANR5322I (S/390)

Permanent error on volume *volume ID* on device *real address*.

Explanation: During processing of a tape volume, a permanent I/O error occurred.

System Action: The server places the volume in an I/O error state. If the volume was being used for writing, it is marked read-only.

User Response: None.

ANR5323I (S/390)

Assigning volume *volume ID* to SCRTCH.

Explanation: The server has assigned the mounted volume to be used as the requested scratch volume.

System Action: The server dynamically adds the volume label of the mounted volume to the storage pool.

User Response: None.

ANR5324I (S/390)

Assigning volume *volume ID* to EXPORT.

Explanation: The server has assigned the mounted volume to be used as the requested export volume.

System Action: The server uses the volume for the EXPORT operation.

User Response: None.

ANR5325I (S/390)

Assigning volume *volume ID* to IMPORT.

Explanation: The server has assigned the mounted volume to be used as the requested import volume.

System Action: The server uses the volume for the IMPORT operation.

User Response: None.

ANR5326E (S/390)

Volume label on *raddr (volume ID found)* does not match *volume ID expected*.

Explanation: During mount processing, the volume ID read on the mounted volume does not match the specifically requested partially full volume.

System Action: The server dismounts the volume, detaches the device, and requests the original volume again.

User Response: Make sure you are mounting the correct volume.

ANR5327I (S/390)

Request number: Assigning volume volume ID to DUMPDB.

Explanation: The server has assigned the mounted volume to be used as the requested DUMPDB volume.

System Action: The server uses the volume for the DUMPDB operation.

User Response: None.

ANR5328I (S/390)

Request number: Assigning volume volume ID to LOADDB.

Explanation: The server assigns the mounted volume for use as the requested LOADDB volume.

System Action: The server uses the volume for the LOADDB operation.

User Response: None.

ANR5329I (S/390)

Assigning volume volume ID to DUMPDB.

Explanation: The server assigns the mounted volume for use as the requested DUMPDB volume.

System Action: The server uses the volume for the DUMPDB operation.

User Response: None.

ANR5330I (S/390)

Assigning volume volume ID to LOADDB.

Explanation: The server assigns the mounted volume for use as the requested LOADDB volume.

System Action: The server uses the volume for the LOADDB operation.

User Response: None.

ANR5331S (S/390)

Volume volume ID damaged - recovery required.

Explanation: The server detects an error on the specified volume. The volume has been unexpectedly repositioned during write processing. Data may have been lost.

System Action: The server halts the process that is using the volume and marks the volume as read-only.

User Response: For EXPORT, DBBACKUP, or DBDUMP tapes, restart the export, backup, or dump operation. Do not use the tape for an IMPORT, DBRESTORE, or DBLOAD operation. If the tape is a storage pool volume, you can attempt to recover the data with the following steps:

1. To identify any missing data, issue the AUDIT VOLUME command by specifying FIX=NO.
2. If recoverable data exists on the tape, delete references to the missing data from the database by issuing the AUDIT VOLUME command and specifying FIX=YES.
3. Issue the MOVE DATA command to remove all data from the damaged tape after the AUDIT (FIX=YES) has completed.

NOTE: Issuing an audit command on a damaged volume can result in a large number of logged messages.

ANR5332I (S/390)

Request number: Assigning volume volume ID to DBBKUP.

Explanation: The server assigns the mounted volume for use as the requested DBBKUP volume.

System Action: The server uses the volume for the DBBKUP operation.

User Response: None.

ANR5333I (S/390)

Assigning volume volume ID to DBBKUP.

Explanation: The server assigns the mounted volume for use as the requested DBBKUP volume.

System Action: The server uses the volume for the DBBKUP operation.

User Response: None.

ANR5334W (S/390)

Volume volume ID reached end of tape.

Explanation: The server has detected end of tape for the specified volume. The volume reached the end of tape before the maximum capacity value specified in the device class was reached.

System Action: The server requests another volume if one is available. The current process stops writing to the specified volume.

User Response: Reduce the maximum capacity in the device class. The QUERY VOLUME command will indicate the actual capacity of the volume after it is full. Use the UPDATE DEVCLASS command to change the maximum capacity for the device class.

ANR5335E (S/390)

Volume *volume ID* already used.

Explanation: A tape volume is mounted as scratch for use by the server. After mounting the volume, the server determines that the volume has already been used by the server and cannot be used to satisfy the current mount request. Mounting the volume as scratch may have destroyed some of the data previously written on that volume.

System Action: The server dismounts the volume, detaches the device, and reissues the original request.

User Response: Mount a volume not already in use by the server. The damaged volume must be replaced, restored, or deleted from the volume history file.

- If the volume is an Export, Database Dump or Database Backup volume that contains data that is no longer needed, use the DELETE VOLHISTORY command to make the volume available to the server for reuse.
- If the volume mounted is an Export or Database Dump, the tapes are no longer good and another export or dump must be taken. If the tape is a current Database Backup volume, a full backup must be done to insure a complete backup exists.
- If the volume is a storage pool volume, audit the volume. If it is a primary volume and a copypool exists, restore the volume. If it is a copypool volume, backup the storage pool again to insure a backup copy exists for all files.

It is strongly recommended that you use the DEVCLASS EXPIRATION or RETENTION parameter to protect your tapes and prevent damage to tapes you create in the future.

ANR5336E (S/390)

Volume *volume ID* must be read-only on 3590 device.

Explanation: The server requests a volume in a mode other than read-only. The 3590 device that is used to satisfy the mount cannot be used to write to the volume.

System Action: The server cancels the current operation.

User Response: Update the volume access to READONLY or insure that a device of the type used to create the volume is used to satisfy the mount.

ANR5337I (S/390)

Assigning volume *volume ID* to BACKUPSET.

Explanation: The server has assigned the mounted volume to be used as the requested backupset volume.

System Action: The server uses the volume for the BACKUPSET operation.

User Response: None.

ANR5350E (S/390)

Error locating block *block number on device real address*.

Explanation: A Locate Block CCW failed.

System Action: The server marks the volume in an I/O error condition and requests another volume be mounted.

User Response: This failure may be due to a hardware problem. Reset the error condition with the UPDATE VOLUME command. If the problem persists, use the DELETE VOLUME command with the DISCARD=NO option to remove the volume from the storage pool.

ANR5351E (S/390)

Error reading BlockID on device *real address*.

Explanation: A Read Block ID CCW failed.

System Action: The server marks the volume in an I/O error condition and requests another volume be mounted.

User Response: This failure may be due to a hardware problem. Reset the error condition with the UPDATE VOLUME command. If the problem persists, use the DELETE VOLUME command with the DISCARD=NO option to remove the volume from the storage pool.

ANR5352E (S/390)

Synchronize failed on device *real address*.

Explanation: A Synchronize CCW failed.

System Action: The server marks the volume in an I/O error condition, and requests another volume be mounted.

User Response: Reply to the new mount request. Reset the error condition with the UPDATE VOLUME command. The integrity of the original volume may have been compromised. To delete the volume, issue the DELETE VOLUME command with the DISCARD=NO option.

ANR5353E (S/390)

Load Display failed on device *real address*.

Explanation: A Load Display CCW failed.

System Action: Server operation continues. No text is loaded into the display window.

User Response: None.

ANR5354E (S/390)

Block block number sequence error on device *real address*.

Explanation: During a read operation, the block ID of the block being read does not match the block ID stored in the data block header.

System Action: The server places the volume in an I/O error state.

User Response: The integrity of the volume may have been compromised. Reset the error condition with the UPDATE VOLUME command and attempt the operation on a different tape drive. If the problem persists, you can delete the volume with the DELETE VOLUME command, by using the DISCARD=NO option.

ANR5355E (S/390)

Reload cartridge on device *real address*.

Explanation: The cartridge is not inserted correctly, or the tape is not processed correctly.

System Action: The task waits until the drive is made ready. An intervention required message is sent to the mount operator user IDs.

User Response: Make the drive ready.

ANR5356E (S/390)

Unload cartridge on device *real address*.

Explanation: The drive cannot maintain tape tension and control tape movement during an unload operation.

System Action: The task waits until the drive is made ready. An intervention required message is sent to the mount operator user IDs.

User Response: Make the drive ready.

ANR5357E (S/390)

Manual Rewind/Rewind-Unload on device *real address*.

Explanation: The Rewind Unload switch or the Rewind switch on the drive has been pressed.

System Action: The server verifies the volume label and attempts to reposition the tape and continue operation. If the volume label verification fails, the server marks the volume in the unavailable state. If the reposition fails, the server marks the volume in the I/O error state.

User Response: If the server succeeds in its recovery, no action is required. If recovery is unsuccessful, you can reset the error status of the volume with the UPDATE VOLUME command. Volume integrity may have been compromised. Issue the DELETE VOLUME command with the DISCARD=NO option to try to recover any data.

ANR5358E (S/390)

Request number: I/O Error at beginning of tape on *real address*.

Explanation: An I/O error has occurred attempting to mount a tape volume; the beginning of the volume cannot be detected.

System Action: The server places the volume in an I/O error state.

User Response: The integrity of the volume may have been compromised. Reset the error condition with the UPDATE VOLUME command and attempt the operation on a different tape drive. If the problem persists, you can delete the volume with the DELETE VOLUME command, by using the DISCARD=NO option.

ANR5359E (S/390)

Request number: Cartridge Length Error on device *real address*.

Explanation: A tape cartridge has been mounted that is too short for processing on the drive.

System Action: The server marks the volume in an I/O error condition and requests another volume be mounted.

User Response: Reply to the new mount request. If necessary, reset the error condition with the UPDATE VOLUME command. The integrity of the original volume may have been compromised. To delete the volume, issue the DELETE VOLUME command with the DISCARD=NO option.

ANR5360E (S/390)

Request number: Cartridge Length Incompatible on device real address.

Explanation: A tape cartridge has been mounted on a drive and the tape is too long to be processed on the drive or has been initialized to the wrong length.

System Action: The server marks the volume in an I/O error condition and requests another volume be mounted.

User Response: Reply to the new mount request. If necessary, reset the error condition with the UPDATE VOLUME command. The integrity of the original volume may have been compromised. To delete the volume, issue the DELETE VOLUME command with the DISCARD=NO option.

ANR5361E (S/390)

Request number: Cartridge Format Incompatible on device real address.

Explanation: A tape cartridge has been mounted on a drive, but the tape format cannot be processed on the drive.

System Action: The server marks the volume in an I/O error condition and requests another volume be mounted.

User Response: Reply to the new mount request. If necessary, reset the error condition with the UPDATE VOLUME command. The integrity of the original volume may have been compromised. To delete the volume, issue the DELETE VOLUME command with the DISCARD=NO option.

ANR5362E (S/390)

Request number: Cartridge Length Violation on device real address.

Explanation: A tape cartridge has been mounted on a drive but the tape is too long to be processed on the drive.

System Action: The server marks the volume in an I/O error condition and requests another volume be mounted.

User Response: Reply to the new mount request. If necessary, reset the error condition with the UPDATE VOLUME command. The integrity of the original volume may have been compromised. To delete the volume, issue the DELETE VOLUME command with the DISCARD=NO option.

ANR5363E (S/390)

Request number: Cartridge Compaction Incompatible on device real address.

Explanation: A tape cartridge has been mounted on a drive but the tape compression algorithm ID is not compatible with the drive.

System Action: The server marks the volume in an I/O error condition and requests another volume be mounted.

User Response: Reply to the new mount request. If necessary, reset the error condition with the UPDATE VOLUME command. The integrity of the original volume may have been compromised. To delete the volume, issue the DELETE VOLUME command with the DISCARD=NO option.

ANR5364E (S/390)

Record sequence error on device *real address*.

Explanation: During processing of a tape volume, the record tape number read does not match that expected by the drive.

System Action: The server marks the volume in an I/O error condition.

User Response: This failure may be due to a hardware problem. Reset the error condition with the UPDATE VOLUME command. If the problem persists, use the DELETE VOLUME command with the DISCARD=NO option to remove the volume from the storage pool.

ANR5365E (S/390)

Volume fenced on device *real address*.

Explanation: During processing of a tape volume, errors have occurred that caused the tape drive to lose the ability to process the volume.

System Action: The server marks the volume in an I/O error condition.

User Response: Unload and reload the tape to reset the drive. Reset the error condition with the UPDATE VOLUME command. This failure may be due to a hardware problem. If the problem persists, use the DELETE VOLUME command with the DISCARD=NO option to remove the volume from the storage pool.

ANR5366E (S/390)

Request number: Volume *volume ID* **data set name** "*label dsn*" **in HDR1 label cannot be overwritten with Export data set name** "*export dsn*".

Explanation: During mount processing of an EXPORT tape volume, the server encountered a nonblank data set name in the HDR1 label. Normally, the server writes the *export dsn* in this field.

System Action: The server dismounts the volume, detaches the device, and requests the original volume again.

User Response: Most tape volume initialization programs only write VOL1 label. If your tape volume initialization program also writes a HDR1 label, the data set

name in the HDR1 label must be blank. Be sure that the volume in question is the proper tape volume, and reinitialize it with only a VOL1 label, or with a blank data set name in the HDR1 label.

ANR5367I (S/390)

Request number: Volume volume ID data set name "label dsn" in HDR1 label will be overwritten with Export data set name "export dsn".

Explanation: During mount processing of an EXPORT tape volume, the server encountered a nonblank data set name in the HDR1 label. This data set name will be overwritten with *export dsn*.

System Action: The server continues with mount processing.

User Response: None.

ANR5368E (S/390)

Request number: Volume volume ID data set name "label dsn" in HDR1 label cannot be overwritten with DUMPDB data set name "dumpdb dsn".

Explanation: During mount processing of an DUMPDB tape volume, the server encountered a nonblank data set name in the HDR1 label. Normally, the server would write the *dumpdb dsn* in this field.

System Action: The server dismounts the volume, detaches the device, and requests the original volume again.

User Response: Most tape volume initialization programs only write a VOL1 label. If your tape volume initialization program also writes a HDR1 label, the data set name in the HDR1 label must be blank. Be sure the volume in question is the correct tape volume, and reinitialize it with only a VOL1 label, or with a blank data set name in the HDR1 label.

ANR5369I (S/390)

Request number: Volume volume ID data set name "label dsn" in HDR1 label will be overwritten with DUMPDB data set name "dumpdb dsn".

Explanation: During mount processing of an DUMPDB tape volume, the server encountered a nonblank data set name in the HDR1 label. This data set name will be overwritten with *dumpdb dsn*.

System Action: The server continues with mount processing.

User Response: None.

ANR5370E (S/390)

Invalid block header on device *real address*.

Explanation: During a read operation, the block header of the block read does not contain data recognized by the server.

System Action: The server may place the volume in an I/O error state.

User Response: The integrity of the volume may have been compromised. Reset the error condition with the UPDATE VOLUME command and attempt the operation on a different tape drive. If the problem persists, try to audit the volume by using the AUDIT VOLUME command to see if any files on the volume can be recovered. If not, you can delete the volume with the DELETE VOLUME command, by using the DISCARD=NO option.

If a LOADDB operation was being performed, specify the command syntax by either using a ddname or by specifying a device class name. You must use the same method that was used when the data base was originally dumped. Otherwise, this error message is displayed. Try loading the data base by using the other method of syntax (ddname). Also, verify that you specified the correct volume name. The integrity of the volume may have been compromised. In this case, the volume cannot be used by the LOADDB operation.

ANR5371E (S/390)

Request number: Volume *volume ID* **data set name** "*label dsn*" **in HDR1 label cannot be overwritten with DBBKUP data set name** "*dbbkup dsn*".

Explanation: During mount processing of a DBBKUP tape volume, the server encountered a nonblank data set name in the HDR1 label. Normally, the server writes the *dbbkup dsn* in this field.

System Action: The server dismounts the volume, detaches the device, and requests the original volume again.

User Response: Most tape volume initialization programs only write VOL1 label. If your tape volume initialization program also writes a HDR1 label, the data set name in the HDR1 label must be blank. Be sure that the volume in question is the proper tape volume, and reinitialize it with only a VOL1 label, or with a blank data set name in the HDR1 label.

ANR5372I (S/390)

Request number: Volume *volume ID* **data set name** "*label dsn*" **in HDR1 label will be overwritten with DBBKUP data set name** "*dbbkup dsn*".

Explanation: During mount processing of a DBBKUP tape volume, the server encountered a nonblank data set name in the HDR1 label. This data set name will be overwritten with *dbbkup dsn*.

System Action: The server continues with mount processing.

User Response: None.

ANR5373I (S/390)

**Unable to allocate tape drive with device type *device type* for tape volume ID.
Reply 'C' (cancel), 'R' (retry), or 'W' (wait).**

Explanation: The server attempts to allocate a tape drive. The allocation attempt fails because no acceptable tape drive is available. An acceptable tape drive has the device type indicated in the message.

Before more attempts are made to allocate the tape drive, the operator is prompted to indicate whether or not the tape drive allocation request can be satisfied. The device type and the VOLSER of the tape volume *volser* to be used for the pending request are provided in the message text.

System Action: If the operator replies 'R' (meaning retry), the server will retry the tape drive allocation. If no acceptable drive is available after retrying the allocation, the server will reissue this message.

If the operator replies 'W' (meaning wait), the server will retry the tape drive allocation. If the allocation request cannot be satisfied immediately, the server will wait while MVS Allocation Recovery issues message IEF238D. After IEF238D is issued, none of the following can occur in the server until the allocation completes or is canceled:

- dynamic allocations or deallocations
- file opens or closes
- tape volume changes between read mode and write mode

If the operator replies 'C' (meaning cancel), the server will fail the tape drive allocation and its associated server request.

Any other reply will cause the server to reissue this message. Determine if there are any tape drives which can be used to satisfy this request (either online or offline) prior to responding to this message.

User Response: None.

ANR5374I (S/390)

Tape volume *volume ID* on real address *real address* has had an unsolicited interrupt, and may have been dismounted.

Explanation: An unsolicited interrupt is received for the drive where the volume is mounted. The drive is not ready or its state cannot be determined, so the tape may have been dismounted.

System Action: If the server can recover without possibility of data loss, it will reverify the label and continue operations. If the label is not verified or data loss is possible with continued use, the next operation will fail and the tape will be dismounted.

User Response: Check the tape drive.

ANR5404I (S/390)

SERVER volume *volume name* mounted.

Explanation: The server has mounted the given volume.

System Action: Read or write operations, or both, will commence for the volume.

User Response: None.

ANR5405I (S/390)

End-of-volume reached for SERVER volume *volume name*.

Explanation: The server has detected an end-of-volume condition for the given volume.

System Action: The volume is marked full. If more data must be stored, the server accesses another volume.

User Response: None.

ANR5410I (S/390)

FILE volume *volume name* mounted.

Explanation: The server has opened the given file to simulate a tape volume.

System Action: Read or write operations, or both, will commence for the volume.

User Response: None.

ANR5411I (S/390)

End-of-volume reached for FILE volume *volume name*.

Explanation: The server has detected an end-of-volume condition for the given volume.

System Action: The volume is marked full. If more data must be stored, the server accesses another volume.

User Response: None.

ANR5412I (S/390)

FILE volume *volume name* MAXCAPACITY larger than allowed maximum. Overriding maximum capacity to *FILE maximum capacity*MB.

Explanation: The maximum capacity specified for the listed volume is larger than the maximum allowed for the FILE device class.

System Action: The volume capacity is set to the maximum allowed for the FILE device class.

User Response: Update the device class of the volume MAXCAPACITY value to less than or equal the maximum allowed for the FILE device class.

ANR5413E (S/390)

Dynamic allocation of FILE volume *volume* on unit=*unit* volser=*volser* returned rc=*rc*, info code=*info code*, error code=*error code*.

Explanation: The dynamic allocation of FILE volume *volume* on unit *unit* and volume serial *volser* fails. The server uses the *unit* and *volser* device class parameters when allocating new FILE volumes, and always catalogs the actual MVS data sets. If these parameters are not defined, Dynamic Allocation uses system defaults to select a device on which to create the MVS sequential data set.

For previously allocated FILE volumes, the server allows Dynamic Allocation to locate the actual MVS data set using catalog services.

The return code *rc*, information code *info code* and error code *error code* are in decimal and can be found in the Dynamic Allocation section of *MVS/ESA Programming: Authorized Assembler Services Guide*.

System Action: Server operation continues.

User Response: For new FILE volumes, verify that all device class parameters are defined correctly and are compatible, and that space is available on the target DASD.

ANR5414E (S/390)

Error *error code* returned while opening FILE volume *volume*

Explanation: The BSAM OPEN fails. Error code *error code* is returned. Check for accompanying MVS error messages.

Error codes greater than eight are MVS ABEND codes, documented in *MVS/ESA System Codes*, GC28-1486.

System Action: Server operation continues.

User Response: For previously allocated FILE volumes, verify that the MVS data set used for the FILE volume exists on the physical device designated by the catalog. Check the accompanying MVS system messages.

ANR5415W (S/390)

SFS CSL call *CSL name* **failed with return code** *rc*, **reason code** *rs*. *optional (file or directory being processed)*

Explanation: A call to an SFS CSL routine failed.

System Action: See following server messages.

User Response: Check the return and reason codes in the *System Messages and Codes* manual, "Callable Services Library (CSL) Reason Codes" section, for information on the problem and on the action needed to correct it.

ANR5416E (S/390)

Minidisk device class cannot be used with SFS file *file name*.

Explanation: A device class of DEVTYPE=FILE is defined with FILEMODE= where the file mode letter is associated with an SFS directory. Device classes defined with DEVTYPE=FILE and FILEMODE= parameters can only be associated with an accessed minidisk (CMS file mode letter A-Z).

System Action: File is not used.

User Response: When using a minidisk, define the DEVTYPE=FILE device class with the FILEMODE= parameter. When using an SFS directory, use the DIRECTORY= parameter.

ANR5417E (S/390)

File *file name* **already exists, it cannot be created.**

Explanation: The server attempted to create a new file using *file name* but received indication that the file already exists. The server will create a new file after it determines that the file named *file name* is not in its database. The server will append to an existing file with the name *file name* only if it exists in its database. The server will not overwrite an existing file.

System Action: File is not used.

User Response: The file named *file name* must either be renamed or erased.

ANR5418E (S/390)

File *file name* **cannot be used.**

Explanation: The server found that the file *file name* exists in its database, but either was accessed as read-only or the file did not exist on the minidisk identified by the file mode letter or the file did not exist in the SFS directory.

System Action: File is not used.

User Response: Make sure the minidisk is accessed with the file mode letter specified for the device class defined with DEVTYPE=FILE FILEMODE=?. If the file is in an SFS directory, make sure the SFS directory still exists and the server user ID has been granted read/write authority to the directory and to the file named *command*. If the volume status is read/write and the volume is not full, write access is required. If the file does not exist, the server cannot use the volume. Storage volumes should be deleted using the DELETE VOLUME command with DISCARDATA=YES. Volumes for IMPORT, LOAD or RESTORE DB cannot be used.

ANR5419E (S/390)

Filemode or directory *filemode* or *directory name* **cannot be used.**

Explanation: The server determined that a minidisk with the file mode letter *filemode* or that the SFS directory *directory name* were not available for use.

System Action: Server operation continues but file is not used.

User Response: Ensure that a minidisk is accessed with the file mode letter *filemode* or that an SFS directory *directory* exists and that the server user ID has been granted read/write authority to the directory and all files in that directory.

ANR5420W (S/390)

FILE *FILE name* **not deleted from system, return code** *return code*.

Explanation: A volume associated with a device class defined with DEVTYPE=FILE was deleted from the server, but the associated CMS file or MVS data set *FILE name* could not be deleted.

System Action: Server operation continues. No other attempts will be made to delete the volume from the system.

User Response: If the volume was created and never used, a CMS file or an MVS dataset may not have been created and no action is required. If the CMS file or the MVS dataset *FILE name* exists it will have to be deleted manually.

ANR5450E (S/390)

Error opening *filespec*.

Explanation: An error occurred while attempting an open operation.

System Action: Server processing continues.

User Response: Refer to the other displayed messages to determine why the open operation failed. Correct the problem and restart the process.

ANR5451E (S/390)

An error (*error code*) occurred during a write operation.

Explanation: An error occurred while attempting a write operation.

System Action: Server processing continues.

User Response: Refer to the other displayed messages to determine why the write operation failed. Correct the problem and restart the process.

ANR5452E (S/390)

An error (*error code*) occurred during a read operation.

Explanation: An error occurred while attempting a read operation.

System Action: Server processing continues.

User Response: Refer to the other displayed messages to determine why the read operation failed. Correct the problem and restart the process.

ANR5453E (S/390)

Device type **volume** *volume name* **cannot be overwritten by EXPORT operation.**

Explanation: The specified volume already exists or contains data. The server does not allow new export data to be written to the volume.

System Action: The server detects that the given volume already contains some data that would be overwritten by the requested export operation.

User Response: If the specified volume does not contain any valuable data, delete it and retry the export operation.

ANR5454E (S/390)

Device type **volume** *volume name* **cannot be overwritten by DUMPDB operation.**

Explanation: The specified volume already exists or contains data. The server does not allow new dump data to be written to the volume.

System Action: The server detects that the given volume already contains some data that would be overwritten by the requested dump operation.

User Response: If the specified volume does not contain any valuable data, delete it and retry the dump operation.

ANR5455E (S/390)

Device type **volume** *volume name* **cannot be overwritten by BACKUP DB operation.**

Explanation: The specified volume already exists or contains data. The server does not allow new backup data to be written to the volume.

System Action: The server detects that the given volume already contains some data that would be overwritten by the requested backup operation.

User Response: If the specified volume does not contain any valuable data, delete it and retry the backup operation.

ANR5456E (S/390)

Device type **volume** *volume name* **cannot be overwritten by BACKUPSET operation.**

Explanation: The specified volume already exists or contains data. The server does not allow new backupset data to be written to the volume.

System Action: The server detects that the given volume already contains some data that would be overwritten by the requested backupset operation.

User Response: If the specified volume does not contain any valuable data, delete it and retry the backupset operation.

ANR5499E (S/390)

command: **Required parameter was not specified** *parameter.*

Explanation: The *command* command has been issued, but without a required parameter. If two parameters are listed, the command requires at least one of the parameters.

System Action: Server operation continues.

User Response: Reissue the command and specify the missing parameter and any additional parameters that are required for the command. The HELP DEFINE or HELP UPDATE commands may be used to obtain syntax assistance.

ANR5500E (S/390)

Command: **Device type not specified.**

Explanation: The *command* command has been issued, but without the DEVTYPE keyword.

System Action: Server operation continues.

User Response: Reissue the command, and specify the DEVTYPE keyword and any additional parameters that are required for the command. The HELP DEFINE or HELP UPDATE commands may be used to obtain syntax assistance.

ANR5501E (S/390)

Command: "attribute" is invalid for device type.

Explanation: The *command* command has been issued with an incompatible combination of device type and *attribute*.

System Action: Server operation continues.

User Response: Reissue the command, and specify a compatible set of attributes. The HELP DEFINE or HELP UPDATE commands may be used to obtain syntax assistance.

ANR5502E (S/390)

Command: "LENGTH" is invalid with 3480 and 3480XF formats.

Explanation: The *command* command has been issued with an incompatible combination of device type, FORMAT, and LENGTH. A length specification is invalid with 3480 and 3480XF formats.

System Action: Server operation continues.

User Response: Reissue the command, and specify a compatible set of attributes. For 3480 and 3480XF formats, reenter the command without a LENGTH keyword. The HELP DEFINE or HELP UPDATE commands may be used to obtain syntax assistance.

ANR5503E (S/390)

Command: Invalid parameter for update - parameter.

Explanation: The *command* command has been issued. However, the *parameter* is not an attribute that must be updated.

System Action: Server operation continues.

User Response: Reissue the command, and specify a compatible set of attributes. The HELP UPDATE command may be used to obtain syntax assistance.

ANR5504E (S/390)

Command: "new attribute" conflicts with existing "old attribute".

Explanation: The *command* command has been issued. However, *new attribute* conflicts with *old attribute* in updating the device class.

System Action: Server operation continues.

User Response: Reissue the command, and specify a compatible set of attributes. You may have to specify additional keywords to update the device class in a compatible manner. The HELP UPDATE command may be used to obtain syntax assistance.

ANR5505E (S/390)

Command: "MOUNTLIMIT" is less than current number of mounted volumes.

Explanation: The *command* command has been issued that specifies a MOUNTLIMIT smaller than the existing number of volumes that are already allocated.

System Action: Server operation continues.

User Response: You may wait until volumes are no longer in use to reissue the command. Alternatively, you may cancel sessions or processes that are using volumes; then issue DISMOUNT commands to free allocated volumes before reissuing the command. The QUERY MOUNT command can be issued to determine which volumes are mounted for use by the server.

ANR5506E (S/390)

Command: Conflicting parameters "*parm1*" and "*parm2*".

Explanation: The *command* command has been issued that specifies conflicting parameters *parm1* and *parm2*. Conflicting parameters include specifying FORMAT and LENGTH with DENSITY, and RETENTION with EXPIRATION.

System Action: Server operation continues.

User Response: Reissue the command, and specify a compatible set of parameters. The HELP DEFINE or HELP UPDATE commands may be used to obtain syntax assistance.

ANR5507E (S/390)

Command: Device type "*devtype*" not supported on this platform.

Explanation: An unsupported device type has been specified for *command*. In MVS, for example, the REEL device type is not supported.

System Action: Server operation continues.

User Response: Specify a valid device type for the platform. The HELP DEFINE command may be used to obtain syntax assistance.

ANR5508E (S/390)

Device class *device class* not defined in device configuration file.

Explanation: The issued command requires that the specified device class be defined in the device configuration file. The definition was not found.

System Action: The command is not processed.

User Response: Reissue the command, and specify a valid device class. You may also want to refresh your device configuration file by issuing the BACKUP DEVCONFIG command.

ANR5509E (S/390)

Command: Parameter *Parameter* is larger than the allowed maximum of *Maximum valueM*.

Explanation: The specified parameter is larger than the allowed maximum for this device class.

System Action: The command is not processed.

User Response: Reissue the command, and specify a parameter less than or equal to the allowed maximum.

ANR5510E (S/390)

Data set name *dsn* is not valid.

Explanation: Data set name *dsn* is not valid.

System Action: Server operation continues.

User Response: Reissue the server command, and specify a valid data set name.

ANR5511E (S/390)

Unit name *unit* is not valid.

Explanation: Unit name *unit* is not valid.

System Action: Server operation continues.

User Response: Reissue the server command, and specify a valid unit name.

ANR5512E (S/390)

Volume serial *volser* is not valid.

Explanation: Volume serial *volser* is not valid.

System Action: Server operation continues.

User Response: Reissue the server command, and specify a valid volume serial.

ANR5513E (S/390)

Expiration date *expdt* is not valid.

Explanation: Expiration data *expdt* is not valid.

System Action: Server operation continues.

User Response: Reissue the server command, and specify a valid expiration date.

ANR5514E (S/390)

Retention period *retpd* is not valid.

Explanation: Retention period *retpd* is not valid.

System Action: Server operation continues.

User Response: Reissue the server command, and specify a valid retention period.

ANR5953W (S/390)

Unable to generate accounting record - ACCT option not specified in CP directory.

Explanation: The SET ACNT ON command has been entered, but the server is unable to generate an accounting record because the ACCT option has not been specified in the server's CP directory entry.

System Action: Server operation continues. No accounting record is generated.

User Response: Add the ACCT option to the server's CP directory entry. To suppress these messages until the CP directory can be updated, enter the SET ACNT OFF command.

ANR5954W (S/390)

Unable to generate accounting record - insufficient memory.

Explanation: The SET ACNT ON command has been entered, but the server is unable to generate an accounting record due to a lack of memory (virtual storage). In some cases a 4096-byte buffer is required for accounting operations, and it is this buffer that cannot be allocated.

System Action: Server operation continues. No accounting record is generated.

User Response: Allocate additional storage to the server virtual machine. There are three ways to do this:

1. Increase the size of the server's virtual machine. This requires that the default storage size be updated in the server's CP directory entry.

-
2. Reduce the maximum number of client sessions permitted. To do this, edit the DSMSERV OPT file and reduce the value specified for the MAXSESSIONS statement. Note that each client session causes an additional 64KB of memory to be allocated.
 3. Decrease the amount of space allocated to the server's database buffer pool. To do this, edit the DSMSERV OPT file and reduce the value specified for the BUFPOOLSIZE statement. Note that each buffer pool page causes an additional 4 KB of memory to be allocated.

Note that the server must be shut down (with the HALT command) before changes can be made to the DSMSERV OPT file.

ANR5956E (S/390)

C library not available, unable to continue.

Explanation: The C/370 or LE/370 library is not available.

System Action: Server operation ends.

User Response: Make the C/370 or LE/370 library available to the server.

ANR5957W (S/390)

C library is at level *level*.

Explanation: The C run-time library is at a lower level (*level*) than expected.

System Action: Server attempts to continue operation.

User Response: Ensure that the proper level of the C/370 or LE/370 library is installed and available to the server.

ANR5958E (S/390)

SVM is at level *level*, the server requires at least *required-level*, unable to continue.

Explanation: The SVM run-time library is at level *level*, but the server requires at least level *required-level*.

System Action: Server operation ends.

User Response: Check the required PTFs for the server. Ensure that the proper level of SVM is installed.

ANR5959E (S/390)

Server not running APF authorized. The server and all JOBLIB/STEPLIB libraries (C library, etc.) must be authorized.

Explanation: The server is not running with MVS authorization.

System Action: Server operation ends.

User Response: Ensure that all library data sets required by the server are authorized.

ANR5960E (S/390)

Unable to initialize kernel - virtual machine requires ECMODE capability.

Explanation: The CP directory entry for the server does not contain an OPTION ECMODE statement.

System Action: Server operation ends.

User Response: Add an OPTION ECMODE statement to the CP directory entry for the server.

ANR5961E (S/390)

Insufficient memory for server initialization.

Explanation: The server program cannot allocate enough memory (virtual storage) to fully initialize itself.

System Action: Server initialization fails. The server is not started.

User Response: Allocate additional storage to the server virtual machine or reduce the storage required by the server. There are three ways to do this:

1. Increase the size of the server's virtual machine. This requires that the default storage size be updated in the server's CP directory entry.
For MVS, increase the region size; 40M is the recommended minimum size for the server but larger servers require more.
2. Reduce the maximum number of client sessions permitted. To do this, edit the DSMSERV OPT file and reduce the value specified for the MAXSESSIONS statement. Note that each client session causes an additional 64KB of memory to be allocated.
3. Decrease the amount of space allocated to the server's database buffer pool. To do this, edit the DSMSERV OPT file and reduce the value specified for the BUFPOOLSIZ statement. Note that each buffer pool page causes an additional 4 KB of memory to be allocated.

Note that the server must be shut down (with the HALT command) before changes can be made to the DSMSERV OPT file.

ANR5962I (S/390)

DSMSERV generated at *time on date*.

Explanation: The server module has been generated at the indicated date and time.

System Action: Server operation continues.

User Response: None.

ANR5963I (S/390)

Server termination complete.

Explanation: The server has completed shut down.

System Action: Server operation ends.

User Response: None.

ANR5964E (S/390)

Server unable to mark itself non-swappable. Return code *rc* from SYSEVENT TRANSWAP.

Explanation: The server cannot issue a SYSEVENT TRANSWAP macro.

System Action: Server operation ends.

User Response: Contact your service representative.

ANR5965I (S/390)

Console command: *command*

Explanation: A server command *command* has been received from an MVS operator console.

System Action: Server operation continues.

User Response: None.

ANR5967W (S/390)

Accounting record not produced, return code *rc*.

Explanation: There was a problem generating the accounting record.

System Action: Server operation continues.

User Response: Contact your service representative.

ANR5980E (S/390)**Unable to initialize PDM driver - insufficient memory.**

Explanation: The server's PDM communications driver is unable to initialize itself due to insufficient memory (virtual storage).

System Action: Server initialization fails.

User Response: Allocate additional storage to the server virtual machine. There are three ways to do this:

1. Increase the size of the REGION parameter on the EXEC or JOB statement of the JCL used to start the server.
2. Reduce the maximum number of client sessions permitted. To do this, edit the server options file and reduce the value specified for the MAXSESSIONS statement. Note that each client session causes an additional 64KB of memory to be allocated.
3. Decrease the amount of space allocated to the server's database buffer pool. To do this, edit the server options file and reduce the value specified for the BUFPOOLSIZE statement. Note that each buffer pool page causes an additional 4KB of memory to be allocated.

Note that the server must be shut down (with the HALT command) before changes can be made to the server options file.

ANR5981I (S/390)**InfoSpeed/PDM communication enabled on port *port number*.**

Explanation: The server's PDM communications driver is ready to receive connection requests from clients.

System Action: Server operation continues.

User Response: None.

ANR5982E (S/390)**InfoSpeed accept error rc = *rc* on port *port number*.**

Explanation: The server's InfoSpeed communications driver has received an error from the ACCEPT function.

System Action: Server operation continues and InfoSpeed communications will be retried.

User Response: None.

ANR6200I *Command name: Level compression audit level* **compression audit started as process process ID.**

Explanation: A compression audit at the specified level has been started as a background server process with the process identifier reported.

System Action: Server operation continues. The background audit attempts to identify client files that may be affected by the client compression problem.

User Response: None.

ANR6201I *Command name: Level compression audit level* **compression audit starting as background process process ID.**

Explanation: A compression audit at the specified level was started as a background server process having the process identifier reported.

System Action: Server operation continues. The background audit attempts to identify client files that may be affected by the client compression problem.

User Response: None.

ANR6202I *Command name: Verifying candidates from last audit.*

Explanation: A compression audit has started to verify the client file candidates that were identified in a previous compression audit execution. The verification process eliminates compression candidates that are now found to be expired by policy on the server.

System Action: The audit operation continues.

User Response: None.

ANR6203I *Command name: Starting level audit level* **compression audit from qualifying entries in the candidates list.**

Explanation: A compression audit is starting to check qualifying candidates from the candidates list for the audit level specified. Client files that were identified as compression candidates at a lower level will be tested, subject to the qualifications that were specified for the command.

System Action: The audit operation continues.

User Response: The compression candidate list can be displayed with the QUERY COMPRESSION command. The QUERY PROCESS command can be used to monitor the progress of the audit operation.

ANR6204I *Command name: Process process ID, level audit level audit, ended successfully - compression suspects = total number of compression suspects.*

Explanation: A compression audit ended and is reporting the total number of suspect client files that have been found.

System Action: The audit operation completes.

User Response: The compression candidate list can be displayed with the QUERY COMPRESSION command.

ANR6205I *Command name: Process process ID, continuing Level 1 compression audit with object object ID high order number.object ID low order number.*

Explanation: A level 1 compression audit is starting to evaluate client files for signs that they may be affected by the client compression problem. Since a previous level 1 audit has been executed, this audit will continue where the last audit stopped starting with the object whose identifier is specified.

System Action: The audit operation continues.

User Response: The compression candidate list can be displayed with the QUERY COMPRESSION command. The QUERY PROCESS command can be used to monitor the progress of the audit operation.

ANR6206I *Command name: Process process ID, starting base level 1 compression audit.*

Explanation: A level 1 compression audit is starting to evaluate client files for signs that they may be affected by the client compression problem. The audit starts with the first client file found on the server, even if previous level 1 audits have been executed.

System Action: The audit operation continues

User Response: The compression candidate list can be displayed with the QUERY COMPRESSION command. The QUERY PROCESS command can be used to monitor the progress of the audit operation.

ANR6207I *Command name: Process process ID, level audit level analysis detected candidate file high-level object name low-level object name in file space client filespace name for node client node name.*

Explanation: A compression audit has found a candidate file at the audit level specified. The name of the client node, file space, and file are displayed. This message is issued whenever a candidate file is detected during a compression audit that was started with the VERBOSE=YES parameter specified.

System Action: The audit operation continues.

User Response: The compression candidate list can be displayed with the QUERY COMPRESSION command. The QUERY PROCESS command can be used to monitor the progress of the audit operation.

ANR6208I

Command name: **Process process ID, was cancelled - number of candidate files candidate files were found in number of files examined files examined prior to cancellation.**

Explanation: A compression audit operation was canceled with the CANCEL PROCESS command before completion. The number of candidate files that were found prior to the cancellation are displayed.

System Action: The audit operation ends.

User Response: The compression audit may be restarted with the AUDIT COMPRESSION command. The compression candidate list can be displayed with the QUERY COMPRESSION command.

ANR6209I

Command name: **Process process ID, level audit level audit completed successfully - number of candidate files candidate files were found in number of files examined files examined.**

Explanation: A compression audit operation completed successfully. The number of candidate files that were found are displayed.

System Action: The audit operation ends.

User Response: The compression candidate list can be displayed with the QUERY COMPRESSION command.

ANR6210I

Command name: **Process process ID, level audit level audit completed successfully - number of candidate files candidate files were found.**

Explanation: A compression audit operation completed successfully. The number of candidate files that have been found are displayed.

System Action: The audit operation ends.

User Response: The compression candidate list can be displayed with the QUERY COMPRESSION command.

ANR6211I

Command name: **Process process ID, level audit level analysis detected candidate file object name in file space client filespace name for node client node name.**

Explanation: A compression audit has found a candidate file at the audit level specified. The name of the client node, file space, and file are displayed. This message is issued whenever a candidate file is detected during a compression audit that was started with the VERBOSE=YES parameter specified.

System Action: The audit operation continues.

User Response: The compression candidate list can be displayed with the QUERY COMPRESSION command. The QUERY PROCESS command can be used to monitor the progress of the audit operation.

ANR6212I

*Command name: **Process process ID, level audit level analysis eliminated level candidate level candidate file object name in filespace client filespace name for node client node name from candidate status.***

Explanation: A compression audit at the level specified has eliminated a candidate file through further analysis. The name of the client node, file space, and file are displayed. This message is issued whenever a candidate file is eliminated from consideration during a compression audit that was started with the VERBOSE=YES parameter specified.

System Action: The audit operation continues.

User Response: The compression candidate list can be displayed with the QUERY COMPRESSION command. The QUERY PROCESS command can be used to monitor the progress of the audit operation.

ANR6213I

*Command name: **Process process ID, was cancelled - number of files promoted candidate files were promoted as candidates at level audit level, number of files eliminated files were eliminated as candidates, and number of files expired candidates were eliminated because they were found to be expired on the server.***

Explanation: A compression audit operation was cancelled with the CANCEL PROCESS command before completion. The number of candidate files that were promoted as candidates at this level of audit, eliminated as candidates at this level of audit, and found to be expired before the cancellation are reported.

System Action: The audit operation ends.

User Response: The compression audit can be restarted with the AUDIT COMPRESSION command. The compression candidate list can be displayed with the QUERY COMPRESSION command.

ANR6214I

*Command name: **Process process ID, completed successfully - number of files promoted candidate files were promoted as candidates at level audit level, number of files eliminated files were eliminated as candidates, and number of files expired candidates were eliminated because they were found to be expired on the server.***

Explanation: A compression audit operation completed successfully. The number of candidate files that were promoted as candidates at this level of audit, eliminated as candidates at this level of audit, and found to be expired are reported.

System Action: The audit operation ends.

User Response: The compression candidate list can be displayed with the QUERY COMPRESSION command.

ANR6215I *Command name: Backup for file high-level object name low-level object name in filesystem client filesystem name for node client node name could not be forced.*

Explanation: It is not possible to force a backup for the specified file using the FORCE BACKUP command. This file was either backed up using an API client or by an ADSM version 2 client or higher.

System Action: The force backup operation continues, the state of the compression record for this file is updated.

User Response: If the file was backed up using a Version 2 client, or higher, you may remove this entry as a candidate, using the REMOVE COMPRESSION command. If the file was backed up using an API client, notify the client owner to again back this file up. Do not remove this entry until it becomes an "inactive" entry.

ANR6220I *Delete compression operation started as process process ID.*

Explanation: A compression deletion operation was started as a background server process with the indicated identifier.

System Action: Server operation continues.

User Response: None.

ANR6221I *Force backup operation started as process process ID.*

Explanation: A force backup operation was started as a background server process with the indicated identifier.

System Action: Server operation continues.

User Response: None.

ANR6222I *Command name: Process process ID was cancelled - number of files files were processed prior to cancellation.*

Explanation: The indicated process was cancelled prior to completion. This message displays the indicated number of files that were processed before the operation was cancelled.

System Action: The process ends.

User Response: The operation may be restarted by reissuing the indicated command.

ANR6223I **Delete compression process *process ID* has completed - number of files files were deleted.**

Explanation: The indicated process has completed processing. All database references have been deleted for the indicated number of files.

System Action: The process ends.

User Response: None.

ANR6224I **Force backup process *process ID* has completed - number of files files were marked for forced backup.**

Explanation: The indicated process has completed processing. The indicated number of files have been marked for forced backup. These files will be backed up during the next incremental backup.

System Action: The process ends.

User Response: None.

ANR6225I **File *identifier* removed as a suspect for compression errors.**

Explanation: The file with the specified identifier has been removed from the database information concerning files with possible compression errors. Other database information concerning the file is not affected.

System Action: Server operation continues.

User Response: None.

ANR6226I *Command name:* **Started as background process *process ID*.**

Explanation: A compression cleanup operation has been started to remove compression candidate information and temporary database entries from the server database. Client files are not affected by this operation.

System Action: Server operation continues.

User Response: The CANCEL PROCESS command can be used to cancel the compression cleanup operation. The QUERY PROCESS command may be used to query the status of the operation.

ANR6227I *cleanup process name* **operation starting as process *process ID*.**

Explanation: A compression cleanup operation has been started to remove compression candidate information and temporary database entries from the server database. Client files are not affected by this operation.

System Action: Server operation continues.

User Response: The CANCEL PROCESS command can be used to cancel the compression cleanup operation. The QUERY PROCESS command may be used to query the status of the operation.

ANR6228W

Cleanup process name: **Process process ID has been cancelled - cleanup processing is incomplete.**

Explanation: A compression cleanup operation has been cancelled prior to successful completion.

System Action: Server operation continues.

User Response: The CLEANUP COMPRESSION command can be used to restart the cleanup operation.

ANR6229I

Cleanup process name: **Process process ID completed successfully.**

Explanation: A compression cleanup operation has successfully completed.

System Action: The cleanup process ends.

User Response: None.

ANR6300E

Command name: **Insufficient server memory available for the operation.**

Explanation: A compression testing routine cannot continue because sufficient memory is not available on the server.

System Action: The operation fails.

User Response: Increase the memory available to the server by increasing the server region size, virtual machine size, paging space available on the system, or relocating the memory swap file, depending upon the platform on which the server is executing. Additional memory may also be made available by limiting server activity (sessions, migration, etc.) while this operation is processing.

ANR6301E

Command name: **Invalid LEVEL specified. This command only supports a value of 1 or 2 for the LEVEL parameter.**

Explanation: An invalid LEVEL= parameter has been specified for the command.

System Action: The command fails.

User Response: Reissue the command specifying a value of 1 or 2 for the LEVEL parameter.

ANR6302E *Command name: **Process process ID, failed - number of candidate files candidate files were found in number of files examined files examined prior to failure.***

Explanation: A compression audit operation failed before completion. The number of candidate files that were found prior to the failure are displayed.

System Action: The audit operation ends.

User Response: Examine message that appear before this message on the server console or in the activity log to determine the source of the failure. If the error can be corrected, re-execute the compression audit. If the failure cannot be determined or corrected, contact your service representative. The compression candidate list can be displayed with the QUERY COMPRESSION command.

ANR6303E *Command name: **Process process ID, failed - number of files promoted candidate files were promoted as candidates at level audit level, number of files eliminated files were eliminated as candidates, and number of files expired candidates were eliminated because they were found to be expired on the server.***

Explanation: A compression audit operation failed before completion. The number of candidate files that were promoted as candidates at this level of audit, eliminated as candidates at this level of audit, and found to be expired before the audit failure are reported.

System Action: The audit operation ends.

User Response: Examine message that appear before this message on the server console or in the activity log to determine the source of the failure. If the error can be corrected, re-execute the compression audit. If the failure cannot be determined or corrected, contact your service representative. The compression candidate list can be displayed with the QUERY COMPRESSION command.

ANR6304E *Command name: **Command cannot be processed until compression audit is performed.***

Explanation: The indicated command cannot be processed until a compression audit is performed using the AUDIT COMPRESSION command.

System Action: The command fails.

User Response: Issue the AUDIT COMPRESSION command and then repeat the attempted operation.

ANR6305E *Command name: **File identifier is not a suspect for compression errors.***

Explanation: The file with the specified identifier is not listed in the database as a suspect for compression errors. The file cannot be removed from the suspect list.

System Action: Server operation continues.

User Response: Use the QUERY COMPRESSION command to obtain the correct identifier for the file to be removed.

ANR6306E *Cleanup process name: Process process ID failed due to server error - cleanup processing is incomplete.*

Explanation: A compression cleanup operation has failed before successful completion.

System Action: The cleanup process ends.

User Response: Examine messages that appear on the server console or in the server activity log prior to this message to determine the cause of the error. If the error can be identified and corrected, restart the cleanup operation with the CLEANUP COMPRESSION command. If the error cannot be corrected, contact your service representative.

ANR6600E *Command: Invalid machine name - machine name.*

Explanation: The machine name specified in the command is invalid.

System Action: The server does not process the command.

User Response: Issue the command again and specify a valid machine name.

ANR6601E *Command: Description information exceeds maximum length characters.*

Explanation: The description specified in the command exceeds the maximum length of allowable characters.

System Action: The server does not process the command.

User Response: Issue the command again and specify a valid description.

ANR6602E *Command: Recovery instructions file name exceeds maximum length characters.*

Explanation: The recovery instructions file name specified in the command exceeds the maximum length of allowable characters.

System Action: The server does not process the command.

User Response: Issue the command again and specify a valid recovery instructions file name.

ANR6603E *Command: Characteristics file name exceeds maximum length characters.*

Explanation: The characteristics file name specified in the command exceeds the maximum length of allowable characters.

System Action: The server does not process the command.

User Response: Issue the command again and specify a valid characteristics file name.

ANR6604E *Command: Invalid building identifier - building.*

Explanation: The building identifier specified in the command is invalid.

System Action: The server does not process the command.

User Response: Issue the command again and specify a valid building identifier.

ANR6605E *Command: Invalid floor identifier - floor.*

Explanation: The floor identifier specified in the command is invalid.

System Action: The server does not process the command.

User Response: Issue the command again and specify a valid floor identifier.

ANR6606E *Command: Invalid room identifier - room.*

Explanation: The room identifier specified in the command is invalid.

System Action: The server does not process the command.

User Response: Issue the command again and specify a valid room identifier.

ANR6607E *Command: Machine machine name is already defined.*

Explanation: The machine specified in the command is already defined to the server.

System Action: The server does not process the command.

User Response: Issue the command again and specify another machine.

ANR6608E *Command: A machine containing a server is already defined.*

Explanation: The ADSMSERVER=YES parameter specified in the command is invalid because another machine has already been defined with this parameter. Only one machine can be defined to the server as containing a server.

System Action: The server does not process the command.

User Response: Issue the command again and do not specify ADSMSERVER=YES as a parameter.

ANR6609I	Machine <i>machine name</i> defined. Explanation: A DEFINE MACHINE command has added the requested machine to the server. System Action: None. User Response: None.
ANR6610E	Command: Invalid recovery media name - <i>recovery media name</i>. Explanation: The recovery media name specified in the command is invalid. System Action: The server does not process the command. User Response: Issue the command again and specify a valid recovery media name.
ANR6611E	Command: Location information exceeds <i>maximum length</i> characters. Explanation: The location specified in the command exceeds the maximum length of allowable characters. System Action: The server does not process the command. User Response: Issue the command again and specify a valid location.
ANR6612I	Machine <i>machine name</i> updated. Explanation: An UPDATE MACHINE command has updated one or more attributes of a machine. System Action: None. User Response: None.
ANR6613I	Machine <i>machine name</i> deleted. Explanation: A DELETE MACHINE command has deleted the requested machine from the server. System Action: None. User Response: None.
ANR6614E	Command: Machine <i>machine name</i> is not defined. Explanation: The machine specified in the command is not defined to the server. System Action: The server does not process the command.

User Response: Issue the command again and specify a valid machine.

ANR6615E

Command: Failed to open input file - file name.

Explanation: The input file specified in the command cannot be opened by the server.

System Action: The server does not process the command.

User Response: Issue the command again and specify an input file that is in a file system accessible by the server.

ANR6616E

Command: Invalid sequence number - sequence number.

Explanation: The sequence number specified in the command is invalid.

System Action: The server does not process the command.

User Response: Issue the command again and specify a valid sequence number.

ANR6617W

Command: Node node name cannot be processed because it is not registered.

Explanation: The node indicated in the message cannot be processed because it is not registered.

System Action: The indicated node is not processed, but another node can be processed if specified by this command.

User Response: Issue the command again and specify a valid registered node.

ANR6618E

Command: No matching node registered.

Explanation: The node specified in the command does not match any node registered to the server.

System Action: The server does not process the command.

User Response: Issue the command again and specify a valid node.

ANR6619I

Node node name associated with machine machine name.

Explanation: A DEFINE MACHNODEASSOCIATION command has associated the specified node with the specified machine. The node *node name* is associated with the machine *machine name*.

System Action: None.

User Response: None.

ANR6620E	<p>Command: Machine and node association is already defined.</p> <p>Explanation: The machine and node association specified in the command is already defined to the server.</p> <p>System Action: The server operation continues, but the command has no effect.</p> <p>User Response: Issue the command again and specify a valid node.</p>
ANR6621I	<p>Node <i>node name</i> disassociated from machine <i>machine name</i>.</p> <p>Explanation: A DELETE MACHNODEASSOCIATION command has deleted the requested association from the server. The node <i>node name</i> is not associated with the machine <i>machine name</i>.</p> <p>System Action: None.</p> <p>User Response: None.</p>
ANR6622E	<p>Command: Recovery media <i>recovery media name</i> is not defined.</p> <p>Explanation: The recovery media specified in the command is not defined to the server.</p> <p>System Action: The server does not process the command.</p> <p>User Response: Issue the command again and specify a valid recovery media.</p>
ANR6623W	<p>Command: Machine <i>machine name</i> cannot be processed because it is not defined.</p> <p>Explanation: The machine indicated in the message is not defined to the server.</p> <p>System Action: The indicated machine is not processed, but another machine can be processed if specified by this command.</p> <p>User Response: Issue the command again and specify a valid machine.</p>
ANR6624E	<p>Command: No matching machine defined.</p> <p>Explanation: The machine specified in the command does not match any machine defined to the server.</p> <p>System Action: The server does not process the command.</p> <p>User Response: Issue the command again and specify a valid machine.</p>

ANR6625I **Machine** *machine name* **associated with recovery media** *recovery media name*.
Explanation: A DEFINE RECOVERYMEDIAMACHASSOCIATION command has associated the specified machine with the specified recovery media. The machine *machine name* is associated with the recovery media *recovery media name*.
System Action: None.
User Response: None.

ANR6626E **Command: Recovery media/machine association is already defined.**
Explanation: The recovery media/machine association specified in the command is already defined to the server.
System Action: The server operation continues, but the command has no effect.
User Response: Issue the command again and specify a valid machine.

ANR6627I **Machine** *machine name* **disassociated from recovery media** *recovery media name*.
Explanation: A DELETE RECOVERYMEDIAMACHASSOCIATION command has deleted the requested association from the server. Machine *machine name* is not associated with the recovery media *recovery media name*.
System Action: None.
User Response: None.

ANR6628E **Command: Volume list exceeds maximum length characters.**
Explanation: The volume list specified in the command exceeds the maximum length of allowable characters.
System Action: The server does not process the command.
User Response: Issue the command again and specify a valid volume list.

ANR6629E **Command: Product name exceeds maximum length characters.**
Explanation: The product name specified in the command exceeds the maximum length of allowable characters.
System Action: The server does not process the command.
User Response: Issue the command again and specify a valid product name.

ANR6630E	Command: Product information exceeds <i>maximum length</i> characters. Explanation: The product information specified in the command exceeds the maximum length of allowable characters. System Action: The server does not process the command. User Response: Issue the command again and specify valid product information.
ANR6631E	Command: Missing volume list for boot recovery media. Explanation: Boot recovery media cannot be defined to the server without specifying a volume list. System Action: The server does not process the command. User Response: Issue the command again and specify the volume list for the boot recovery media.
ANR6632I	Recovery media <i>recovery media name</i> defined. Explanation: A DEFINE RECOVERYMEDIA command has defined the recovery media to the server. System Action: None. User Response: None.
ANR6633I	Recovery media <i>recovery media name</i> updated. Explanation: An UPDATE RECOVERYMEDIA command has updated one or more attributes of the recovery media. System Action: None. User Response: None.
ANR6634I	Recovery media <i>recovery media name</i> deleted. Explanation: A DELETE RECOVERYMEDIA command has deleted the requested recovery media from the server. System Action: None. User Response: None.
ANR6635E	Command: Recovery media <i>recovery media name</i> is already defined. Explanation: The recovery media specified in the command is already defined to the server.

System Action: The server does not process the command.

User Response: Issue the command again and specify a different recovery media.

ANR6636E

Command: The characteristics specified for machine *machine name* exceeds maximum length characters.

Explanation: The characteristics specified in the command exceeds the maximum length of allowable characters.

System Action: The server does not process the command.

User Response: Issue the command again and specify valid characteristics.

ANR6637E

Command: The recovery instructions specified for machine *machine name* exceeds maximum length characters.

Explanation: The recovery instructions specified in the command exceeds the maximum length of allowable characters.

System Action: The server does not process the command.

User Response: Issue the command again and specify valid recovery instructions.

ANR6638E

Command: The characteristics for machine *machine name* are already defined.

Explanation: The characteristics for the machine specified in the command are already defined to the server.

System Action: The server does not process the command.

User Response: If the specified machine is defined to the server, issue an UPDATE MACHINE command to update the existing characteristics. If the machine is not defined to the server, run AUDIT DRM FIX to delete the characteristics.

ANR6639E

Command: The recovery instructions for machine *machine name* are already defined.

Explanation: The recovery instructions for the machine specified in the command are already defined to the server.

System Action: The server does not process the command.

User Response: If the specified machine is defined to the server, issue an UPDATE MACHINE command to update the existing recovery instructions. If the machine is not defined to the server, run AUDIT DRM FIX to delete the recovery instructions.

-
- ANR6640E** *Command: Cannot delete volume list for boot recovery media.*
- Explanation:** A volume list cannot be deleted for boot recovery media. A volume list must exist for each boot recovery media defined to the server.
- System Action:** The server does not process the command.
- User Response:** To delete the volume list, issue an UPDATE RECOVERYMEDIA command and specify a recovery media type of OTHER and VOLUMES="". To change the recovery media type to BOOT, issue an UPDATE RECOVERYMEDIA command and specify the volume list containing the boot recovery media and TYPE=BOOT.
-
- ANR6641E** *Command: No association found for machine and node pair specified.*
- Explanation:** No association found for the machine and node pair specified in the command.
- System Action:** Server operation continues, but the command has no effect.
- User Response:** Issue the command again and specify a valid machine and node pair.
-
- ANR6642E** *Command: No association found for recovery media and machine pair specified.*
- Explanation:** No association found for the recovery media and machine pair specified in the command.
- System Action:** Server operation continues, but the command has no effect.
- User Response:** Issue the command again and specify a valid recovery media and machine pair.
-
- ANR6643E** *Command: Invalid parameter value - parameter value.*
- Explanation:** The parameter issued in the command is invalid.
- System Action:** The server does not process the command.
- User Response:** Issue the command again and specify a valid parameter.
-
- ANR6644E** *Command: A character string must be specified.*
- Explanation:** The INSERT command is invalid. A character string must be specified.
- System Action:** The server does not process the command.
- User Response:** Issue the command again and specify a valid character string.
-

ANR6645W **Node *node name* has already been associated with machine *machine name*.**

Explanation: The node specified in the DEFINE MACHNODEASSOCIATION command is invalid. The node is already associated with another machine shown in the message. A node can only be associated with one machine.

System Action: The indicated node is not processed, but another node can be processed if specified by the command.

User Response: Issue the command again and specify a valid node name.

ANR6646I ***Audit command:* Auditing disaster recovery manager definitions.**

Explanation: This message is displayed during a database audit and indicates that the disaster recovery manager definitions are being examined by the database audit process.

System Action: Audit processing continues.

User Response: None.

ANR6647E ***Audit command:* DRM global attributes are missing.**

Explanation: A database audit process finds that the global attributes used for server DRM activities are missing.

System Action: Audit processing continues.

User Response: Issue the command again and specify FIX=YES to recreate the DRM global attributes.

ANR6648I ***Audit command:* DRM global attributes are missing - default values will be used to recreate the attributes.**

Explanation: A database audit process finds that the global attributes used for server DRM activities are missing. Because FIX=YES has been specified on the AUDIT command, default attribute values will be used to recreate the administrative global attributes.

System Action: Audit processing continues.

User Response: None.

ANR6649E ***Audit command:* DRM machine ID assignments are incorrect.**

Explanation: A database audit process finds that the global attributes machine ID used for server DRM activities are incorrect.

System Action: Audit processing continues.

User Response: Reissue the audit command with FIX=YES specified so that the DRM global attributes can be corrected.

ANR6650I

Audit command: **DRM machine ID Assignments are incorrect - values will be corrected.**

Explanation: A database audit process finds that the global attributes machine ID used for server DRM activities are incorrect. Since FIX=YES has been specified on the AUDIT command, the attribute value will be corrected in the server database.

System Action: Audit processing continues.

User Response: None

ANR6651I

Audit command: **Invalid priority value encountered for machine machine name.**

Explanation: A database audit process encounters an invalid priority value for the machine indicated.

System Action: Audit processing continues.

User Response: Issue the command again and specify FIX=YES to correct the priority. Or, issue an UPDATE MACHINE command and specify a new priority value.

ANR6652I

Audit command: **Invalid priority value encountered for machine machine name - the default value will be set.**

Explanation: A database audit process encounters an invalid machine priority value for the machine indicated. Because FIX=YES has been specified, the audit function sets the machine priority value to the default value.

System Action: Audit processing continues.

User Response: To override the default value, issue an UPDATE MACHINE command to change the value after the audit command has completed.

ANR6653I

Audit command: **Invalid building value encountered for machine machine name.**

Explanation: A database audit process encounters an invalid building value for the machine indicated.

System Action: Audit processing continues.

User Response: Issue the command again and specify FIX=YES to correct the building value. Or, issue an UPDATE MACHINE command and specify a new building value.

ANR6654I *Audit command: Invalid building value encountered for machine machine name - the building value will be removed.*

Explanation: A database audit process encounters an invalid building value for the machine indicated. Because FIX=YES has been specified, the audit function removes the machine building value.

System Action: Audit processing continues.

User Response: To set the building value to another value, issue an UPDATE MACHINE command after the audit command has completed.

ANR6655I *Audit command: Invalid floor value encountered for machine machine name.*

Explanation: A database audit process encounters an invalid floor value for the machine indicated.

System Action: Audit processing continues.

User Response: Issue the command again and specify FIX=YES to correct the floor value. Or, issue an UPDATE MACHINE command and specify a new floor value.

ANR6656I *Audit command: Invalid floor value encountered for machine machine name - the floor value will be removed.*

Explanation: A database audit process encounters an invalid floor value for the machine indicated. Because FIX=YES has been specified, the audit function removes the machine floor value.

System Action: Audit processing continues.

User Response: To set the floor value to another value, issue an UPDATE MACHINE command after the audit command has completed.

ANR6657I *Audit command: Invalid room value encountered for machine machine name.*

Explanation: A database audit process encounters an invalid room value for the machine indicated.

System Action: Audit processing continues.

User Response: Issue the command again and specify FIX=YES to correct the room value. Or, issue an UPDATE MACHINE command and specify a new room value.

-
- ANR6658I** *Audit command: Invalid room value encountered for machine machine name - the room value will be removed.*
- Explanation:** A database audit process encounters an invalid room value for the machine indicated. Because FIX=YES has been specified, the audit function removes the machine room value.
- System Action:** Audit processing continues.
- User Response:** To set the room value for the specified machine to another value, use the UPDATE MACHINE command after the audit command has completed.
-
- ANR6659I** *Audit command: Invalid server value encountered for machine machine name.*
- Explanation:** A database audit process encounters an invalid server value for the machine indicated.
- System Action:** Audit processing continues.
- User Response:** Issue the command again and specify FIX=YES to correct the server value. Or, issue an UPDATE MACHINE command and specify a new server value.
-
- ANR6660I** *Audit command: Invalid server value encountered for machine machine name - the default value will be set.*
- Explanation:** A database audit process encounters an invalid server value for the machine indicated. Because FIX=YES has been specified, the audit function sets the machine server value to the default value.
- System Action:** Audit processing continues.
- User Response:** To override the default value, issue an UPDATE MACHINE command to change the value after the audit command has completed.
-
- ANR6661I** *Audit command: Multiple machines are indicated as servers. Only one machine should have the server indicator set to YES.*
- Explanation:** A database audit process encounters more than one machine with the server indicator set to YES.
- System Action:** Audit processing continues.
- User Response:** For a list of machines with the server indicator set to YES, issue a QUERY MACHINE ADSMSERVER=YES command. Issue an UPDATE MACHINE command for each machine that is not a server.
-

ANR6662I *Audit command: Characteristics for machine machine name not found.*

Explanation: A database audit process finds a characteristics reference from a machine for characteristics that are not in the server database.

System Action: Audit processing continues.

User Response: Issue an UPDATE MACHINE command to load the characteristics into the database after the audit command has completed.

ANR6663I *Audit command: Recovery instructions for machine machine name not found.*

Explanation: A database audit process finds a recovery instructions reference from a machine for recovery instructions that are not in the server database.

System Action: Audit processing continues.

User Response: Issue an UPDATE MACHINE command to load the recovery instructions into the database after the audit command has completed.

ANR6664I *Audit command: Invalid access value encountered for recovery media recovery media name.*

Explanation: A database audit process encounters an invalid access value for the recovery media indicated.

System Action: Audit processing continues.

User Response: Issue the command again and specify FIX=YES to correct the access value. Or, issue an UPDATE RECOVERYMEDIA command and specify a new access value.

ANR6665I *Audit command: Invalid access value encountered for recovery media recovery media name - the default value will be set.*

Explanation: A database audit process encounters an invalid access value for the recovery media indicated. Because FIX=YES has been specified, the audit function sets the recovery media access value to the default value.

System Action: Audit processing continues.

User Response: To override the default value, issue an UPDATE RECOVERYMEDIA command to change the value after the audit command has completed.

-
- ANR6666I** *Audit command: Invalid type value encountered for recovery media recovery media name.*
- Explanation:** A database audit process encounters an invalid type value for the recovery media indicated.
- System Action:** Audit processing continues.
- User Response:** Issue the command again and specify FIX=YES to correct the type value. Or, issue an UPDATE RECOVERYMEDIA command and specify a new type value.
-
- ANR6667I** *Audit command: Invalid type value encountered for recovery media recovery media name - the default value will be set.*
- Explanation:** A database audit process encounters an invalid type value for the recovery media indicated. Because FIX=YES has been specified, the audit function sets the recovery media type value to the default value.
- System Action:** Audit processing continues.
- User Response:** To override the default value, issue an UPDATE RECOVERYMEDIA command to change the value after the audit command has completed.
-
- ANR6668E** *Audit command: Machine is not found for internal machine ID machine ID, which is referenced by recovery media.*
- Explanation:** A database audit process finds recovery media that references a machine that is not defined in the server database.
- System Action:** Audit processing continues.
- User Response:** Issue the command again and specify FIX=YES to correct recovery media attributes.
-
- ANR6669I** *Audit command: Machine is not found for internal machine ID machine ID, which is referenced by recovery media - the machine reference will be deleted.*
- Explanation:** A database audit process finds recovery media that references a machine that is not defined in the server database. Because FIX=YES has been specified for the audit command, the reference will be removed from the server database.
- System Action:** Audit processing continues.
- User Response:** None.
-

ANR6670E *Audit command: Recovery media not found for internal recovery media ID recovery media ID, which is referenced by a machine.*

Explanation: A database audit process finds a machine that references recovery media that is not defined in the server database.

System Action: Audit processing continues.

User Response: Issue the command again and specify FIX=YES to correct the recovery media attributes.

ANR6671I *Audit command: Recovery media not found for internal recovery media ID recovery media ID, which is referenced by a machine - the recovery media reference will be deleted.*

Explanation: A database audit process finds m machine that references recovery media that is not defined in the server database. Because FIX=YES has been specified for the audit command, the reference will be deleted from the server database.

System Action: Audit processing continues.

User Response: None.

ANR6672E *Audit command: Client node not found for internal node ID node ID, which is referenced by a machine.*

Explanation: A database audit process finds a machine that references a client node that is not defined in the server database.

System Action: Audit processing continues.

User Response: Issue the command again and specify FIX=YES to correct the machine attributes.

ANR6673I *Audit command: Client node not found for internal node ID node ID, which is referenced by a machine - the client node reference will be deleted.*

Explanation: A database audit process finds a machine that references a client node that is not defined in the server database. Because FIX=YES has been specified for the audit command, the reference will be removed from the server database.

System Action: Audit processing continues.

User Response: None.

ANR6674E *Audit command: Machine not found for internal machine ID machine ID, which is referenced by a client node.*

Explanation: A database audit process finds a client node that references a machine that is not defined in the server database.

System Action: Audit processing continues.

User Response: Issue the command again and specify FIX=YES to correct the machine attributes.

ANR6675I *Audit command: Machine not found for internal machine ID machine ID, which is referenced by a client node - the machine reference will be deleted.*

Explanation: A database audit process finds a client node that references a machine that is not defined in the server database. Because FIX=YES has been specified for the audit command, the reference will be removed from the server database.

System Action: Audit processing continues.

User Response: None.

ANR6676E *Audit command: Machine not found for internal machine ID machine ID, which is referenced by characteristics.*

Explanation: A database audit process finds characteristics that reference a machine that is not defined in the server database.

System Action: Audit processing continues.

User Response: Issue the command again and specify FIX=YES to correct the machine attributes.

ANR6677I *Audit command: Machine not found for internal machine ID machine ID, which is referenced by characteristics - the machine reference will be deleted.*

Explanation: A database audit process finds characteristics that reference a machine that is not defined in the server database. Because FIX=YES has been specified for the audit command, the reference will be removed from the server database.

System Action: Audit processing continues.

User Response: None.

ANR6678E *Audit command: Machine not found for internal machine ID machine ID, which is referenced by recovery instructions.*

Explanation: A database audit process finds recovery instructions that reference a machine that is not defined in the server database.

System Action: Audit processing continues.

User Response: Issue the command again and specify FIX=YES to correct the machine attributes.

ANR6679I *Audit command: Machine not found for internal machine ID machine ID, which is referenced by recovery instructions - the machine reference will be deleted.*

Explanation: A database audit process finds recovery instructions that reference a machine that is not defined in the server database. Because FIX=YES has been specified for the audit command, the reference will be removed from the server database.

System Action: Audit processing continues.

User Response: None.

ANR6680E *Audit command: Missing or invalid internal database attribute encountered for machine machine name.*

Explanation: A database audit process finds an invalid attribute for the specified machine.

System Action: Audit processing continues.

User Response: Issue the command again and specify FIX=YES to correct the machine attributes.

ANR6681I *Audit command: Missing or invalid internal database attribute encountered for machine machine name - the attribute will be corrected.*

Explanation: A database audit process finds an invalid attribute for the specified machine. Because FIX=YES has been specified for the audit command the invalid attribute will be corrected.

System Action: Audit processing continues.

User Response: None.

ANR6682I *Command command ended: number of volumes volumes processed.*

Explanation: The indicated command ended. The total number of volumes successfully processed is shown in the message.

System Action: The indicated command ends.

User Response: None.

ANR6683I *Command: Volume **volume name** was moved from from state **state** to to state.*

Explanation: Volume *volume name* is successfully moved from *state1* to *state2* by the indicated command.

System Action: The indicated volume is moved to the destination state.

User Response: None.

ANR6684I *Command: Volume **volume name** was deleted.*

Explanation: The MOVE DRMEDIA * WHERESTATE=COURIERRETRIEVE command displays the message. Volume *volume name* is deleted from the server database. For database backup volume, after its expiration days have elapsed, the volume history record is deleted when it is returned onsite. For an empty scratch copy storage pool volume, the volume record is deleted when it is returned onsite.

System Action: The volume record is deleted from the server database.

User Response: Issue the CHECKIN LIBVOLUME command for each volume returned onsite if the volume is reused by the server.

ANR6685E *Command: Volume **volume name** not defined.*

Explanation: Volume *volume name* is not defined to the server.

System Action: The indicated command is not processed if the volume name is explicitly specified on the command. If a volume pattern is specified on the command, the volume shown is not processed, but the other volumes are processed.

User Response: Reissue the command specifying a valid volume name.

ANR6686E *Command: Volume **volume name** in use.*

Explanation: The MOVE DRMEDIA * WHERESTATE=MOUNTABLE command displays the message. Volume *volume name* is used for another operation.

System Action: The command is not processed if the volume is explicitly specified on the command. If a volume pattern is specified on the command, the indicated volume is not processed, but the other volumes are processed.

User Response: Wait until the conflicting volume activity has completed, and then reissue the command. If the volume is currently mounted, but idle, dismount the volume by using a DISMOUNT VOLUME command and then retry this operation.

ANR6687E	<p><i>Command: Executable command string exceeds maximum length characters.</i></p> <p>Explanation: The length of the executable command string specified with the CMD parameter exceeds the maximum length of allowable characters (255).</p> <p>System Action: The server stops processing the command.</p> <p>User Response: Issue the command again and specify a valid executable command with the CMD parameter.</p>
-----------------	---

ANR6690E	<p><i>Command: Copy storage pool <i>cstgp name</i> not defined for Offsite Recovery Media.</i></p> <p>Explanation: The MOVE DRMEDIA or QUERY DRMEDIA command displays the message. The indicated command was issued with a copy storage pool name specified, but the specified pool name is not defined to DRM for Offsite Recovery Media.</p> <p>System Action: The indicated command is not processed.</p> <p>User Response: Reissue the command, after defining the specified copy storage pool to DRM for Offsite Recovery Media.</p>
-----------------	--

ANR6691E	<p><i>Command: No match is found for this move.</i></p> <p>Explanation: The indicated command was issued, but no matching volumes are defined to the server or the volume specified is not managed by the command.</p> <p>System Action: The command is not processed.</p> <p>User Response: Reissue the command specifying the valid volume.</p>
-----------------	--

ANR6694E	<p><i>Command: The <i>ORM state</i> state is invalid for a volume with <i>access mode</i> access mode.</i></p> <p>Explanation: The indicated command specifies an Offsite Recovery Media state that is invalid for a volume with the access mode shown. Specify COURIER or COURIERRETRIEVE for a volume that has access mode of OFFSITE.</p> <p>System Action: The server does not process the command.</p> <p>User Response: Reissue the command specifying COURIER or COURIERRETRIEVE as the state for a volume that has access mode of OFFSITE.</p>
-----------------	---

ANR6695E	<p><i>Command: Device class <i>device class name</i> not defined for volume <i>volume name</i>.</i></p> <p>Explanation: The MOVE DRMEDIA or QUERY DRMEDIA command displays the message. The volume being processed has associated with the device class name shown that is not defined to the server.</p>
-----------------	--

System Action: The command is not processed if the volume is explicitly specified on the command. If a volume pattern is specified on the command, the indicated volume is not processed, but the other volumes not associated with the indicated class are processed.

User Response: Reissue the command after the indicated device class is defined to the server.

ANR6696I *command: operation for volume volume name in library library name starting.*

Explanation: The indicated operation is being started for the volume shown in the given library.

System Action: The server starts the operation in response to the indicated command entered by an administrator.

User Response: For SCSI library users, remove the volume from the slot and issue a REPLY command, along with the request ID, to tell the server the volume was removed from the library.

ANR6697I *command: operation for volume volume name in library library name completed successfully.*

Explanation: The indicated operation has completed successfully for the volume shown in the given library.

System Action: The volume is either deleted from the library inventory (if its status is something other than DATA) or marked not present (if its status is DATA).

User Response: None.

ANR6698E *command: operation for volume volume name in library library name failed.*

Explanation: The indicated operation has failed for the volume shown in the given library. This message should be preceded by another error message which provides more detail about the error.

System Action: The volume is not processed.

User Response: Check for additional message and eliminate the condition that caused the failure, then retry the command.

ANR6699I **Cancel in progress.**

Explanation: The MOVE DRMEDIA command has been canceled and will end when resources have been freed for the background process. This message may be displayed in response to a QUERY PROCESS command for a MOVE DRMEDIA command.

System Action: Server operation continues.

User Response: None.

ANR6700I *Command command completed successfully.*

Explanation: The indicated command completed successfully.

System Action: None.

User Response: None.

ANR6701E *Command: Invalid courier name - courier name.*

Explanation: The indicated command has been entered with an invalid courier name.

System Action: The server does not process the command.

User Response: Reissue the command with a valid courier name.

ANR6702E *Command: Invalid expiration days value - days value.*

Explanation: The indicated command has been entered that specifies an invalid expiration days value.

System Action: The server does not process the command.

User Response: Reissue the command with a valid expiration days value.

ANR6703E *Command: Invalid recovery plan prefix - prefix.*

Explanation: The indicated command has been entered with an invalid recovery plan prefix.

System Action: The server does not process the command.

User Response: Reissue the command with a valid recovery plan prefix.

ANR6704E *Command: Invalid plan instructions prefix - prefix.*

Explanation: The indicated command has been entered with an invalid plan instructions prefix.

System Action: The server does not process the command.

User Response: Reissue the command with a valid plan instructions prefix.

-
- ANR6705E** *Command: Invalid character for volume postfix - postfix character.*
- Explanation:** The indicated command has been entered with an invalid character that is to be added to the volumes names in the recovery plan file.
- System Action:** The server does not process the command.
- User Response:** Reissue the command with a valid character.
-
- ANR6706E** *Command: Invalid vault name - vault name.*
- Explanation:** The indicated command has been entered with an invalid vault name.
- System Action:** The server does not process the command.
- User Response:** Reissue the command with a valid vault name.
-
- ANR6711E** *Audit command: An invalid database backup series expiration days encountered.*
- Explanation:** A database audit process encounters an invalid value for database backup series expiration days.
- System Action:** Audit processing continues.
- User Response:** Issue the command again and specify FIX=YES to correct the expiration days. Or, issue an SET DRMDBBACKUPEXPIREDDAYS command and specify a new expiration days value.
-
- ANR6712I** *Audit command: An invalid database backup series expiration days encountered - the default value will be set.*
- Explanation:** A database audit process encounters an invalid value for database backup series expiration days. Because FIX=YES has been specified, the audit function sets the expiration days value to the default value.
- System Action:** Audit processing continues.
- User Response:** To override the default value, issue a SET DRMDBBACKUPEXPIREDDAYS command to change the value after the audit command has completed.
-
- ANR6713E** *Audit command: An invalid check label value encountered.*
- Explanation:** A database audit process encounters an invalid check label value.
- System Action:** Audit processing continues.
-

User Response: Issue the command again and specify FIX=YES to correct the check label value. Or, issue a SET DRMCHECKLABEL command and specify a new check label value.

ANR6714I

Audit command: An invalid check label value encountered - the default value will be set.

Explanation: A database audit process encounters an invalid check label value. Because FIX=YES has been specified, the audit function sets the check label value to the default value.

System Action: Audit processing continues.

User Response: To override the default value, issue a SET DRMCHECKLABEL command to change the value after the audit command has completed.

ANR6715E

Audit command: An invalid file process value encountered.

Explanation: A database audit process encounters an invalid file process value.

System Action: Audit processing continues.

User Response: Issue the command again and specify FIX=YES to correct the file process value. Or, issue a SET DRMFILEPROCESS command and specify a new file process value.

ANR6716I

Audit command: An invalid file process value encountered - the default value will be set.

Explanation: A database audit process encounters an invalid file process value. Because FIX=YES has been specified, the audit function sets the file process value to the default value.

System Action: Audit processing continues.

User Response: To override the default value, issue a SET DRMFILEPROCESS command to change the value after the audit command has completed.

ANR6717E

Audit command: Extraneous DRM global attribute encountered.

Explanation: A database audit process finds a nonexistent DRM global attribute.

System Action: Audit processing continues.

User Response: Issue the command again and specify FIX=YES to delete the extraneous attribute.

ANR6718I *Audit command: Extraneous DRM global attribute encountered - the attribute will be deleted.*

Explanation: A database audit process finds a nonexistent DRM global attribute. Since FIX=YES has been specified, the extraneous attribute will be deleted.

System Action: Audit processing continues.

User Response: None.

ANR6719E *Audit command: DRM machine ID assignments not found.*

Explanation: A database audit process finds no entries in server database for DRM internal machine ID assignments.

System Action: Audit processing continues.

User Response: Issue the command again and specify FIX=YES to correct the error.

ANR6720I *Audit command: DRM machine ID assignments not found - entry will be created.*

Explanation: A database audit process finds no entries in server database for DRM internal machine ID assignments. Because FIX=YES has been specified for the audit command, the audit function creates an entry in the server database for the machine ID assignments.

System Action: Audit processing continues.

User Response: None.

ANR6721E *Audit command: DRM recovery media ID assignments not found.*

Explanation: A database audit process finds no entries in server database for DRM internal recovery media ID assignments.

System Action: Audit processing continues.

User Response: Issue the command again and specify FIX=YES to correct the error.

ANR6722I *Audit command: DRM recovery media ID assignments not found - entry will be created.*

Explanation: A database audit process finds no entries in server database for DRM internal recovery media ID assignments. Because FIX=YES has been specified for the audit command, the audit function creates an entry in the server database for the recovery media ID assignments.

System Action: Audit processing continues.

User Response: None.

ANR6723E

Audit command: **Prefix for DRM recovery plan not found.**

Explanation: A database audit process finds no entries in server database for DRM recovery plan prefix definitions.

System Action: Audit processing continues.

User Response: Issue the audit command again and specify FIX=YES to correct the error.

ANR6724I

Audit command: **Prefix for DRM recovery plan not found - entry will be created.**

Explanation: A database audit process finds no entries in server database for DRM recovery plan prefix definitions. Because FIX=YES has been specified for the audit command, the audit function creates an entry using the default value in the server database for the recovery plan file prefix.

System Action: Audit processing continues.

User Response: To override the default value, issue a SET DRMPLANFILEPREFIX command to change the value after the audit command has completed.

ANR6725E

Audit command: **Prefix for DRM recovery plan instructions not found.**

Explanation: A database audit process finds no entries in server database for DRM recovery plan instructions prefix definitions.

System Action: Audit processing continues.

User Response: Issue the audit command again and specify FIX=YES to correct the error.

ANR6726I

Audit command: **Prefix for DRM recovery plan instructions not found - entry will be created.**

Explanation: A database audit process finds no entries in server database for DRM recovery plan instructions prefix definitions. Because FIX=YES has been specified for the audit command, the audit function creates an entry using the default value in the server database for the recovery plan instructions file prefix.

System Action: Audit processing continues.

User Response: To override the default value, issue a SET DRMPLANINSTRPREFIX command to change the value after the audit command has completed.

ANR6727E *Audit command: Postfix for DRM replacement volumes names not found.*

Explanation: A database audit process finds no entries in server database for DRM postfix definitions for replacement volumes names.

System Action: Audit processing continues.

User Response: Issue the audit command again and specify FIX=YES to correct the error.

ANR6728I *Audit command: Postfix for DRM replacement volumes names not found - entry will be created.*

Explanation: A database audit process finds no entries in server database for DRM postfix definitions for replacement volumes names. Because FIX=YES has been specified for the audit command, the audit function creates an entry using the default value in the server database for the replacement volumes postfix.

System Action: Audit processing continues.

User Response: To override the default value, issue a SET DRMPLANVPOSTFIX command to change the value after the audit command has completed.

ANR6729E *Audit command: Primary storage pools to be restored by DRM not found.*

Explanation: A database audit process finds no entries in server database for primary storage pools to be restored by DRM.

System Action: Audit processing continues.

User Response: Issue the audit command again and specify FIX=YES to correct the error.

ANR6730I *Audit command: Primary storage pools to be restored by DRM not found - entry will be created.*

Explanation: A database audit process finds no entries in server database for primary storage pools to be restored by DRM. Because FIX=YES has been specified for the audit command, the audit function creates an entry using the default value in the server database for the primary storage pools to be restored by DRM.

System Action: Audit processing continues.

User Response: To override the default value, issue a SET DRMPRIMSTGPOOL command to change the value after the audit command has completed.

ANR6731E

Audit command: Copy storage pools to be managed by DRM not found.

Explanation: A database audit process finds no entries in server database for copy storage pools to be managed by DRM.

System Action: Audit processing continues.

User Response: Issue the audit command again and specify FIX=YES to correct the error.

ANR6732I

Audit command: Copy storage pools to be managed by DRM not found - entry will be created.

Explanation: A database audit process finds no entries in server database for copy storage pools to be managed by DRM. Because FIX=YES has been specified for the audit command, the audit function creates an entry using the default value in the server database for the copy storage pools to be managed by DRM.

System Action: Audit processing continues.

User Response: To override the default value, issue a SET DRMCOPYSTGPOOL command to change the value after the audit command has completed.

ANR6733E

Command: Cannot complete initialization for process name process.

Explanation: The indicated process fails during process initialization.

System Action: The indicated command is ended and server processing continues.

User Response: This usually indicates that sufficient server memory is not available on the server. Allocate additional storage to the server. For details, issue HELP MEMORY to display the information online or see “Appendix A. Allocating Additional Server Memory”.

ANR6734E

Command: Volume volume name not processed: library library name not defined.

Explanation: The indicated volume is not processed since the designated library has not been defined or has been deleted.

System Action: The volume is not processed.

User Response: Reissue the command using a different library name, or define the library before retrying the command.

-
- ANR6735E** *Audit command: Courier information for ORM not found.*
- Explanation:** A database audit process finds no entries in server database for courier name definitions used by DRM Offsite Recovery Media (ORM).
- System Action:** Audit processing continues.
- User Response:** Issue the audit command again and specify FIX=YES to correct the error.
-
- ANR6736I** *Audit command: Courier information for ORM not found - entry will be created.*
- Explanation:** A database audit process finds no entries in server database for courier name definitions used by DRM Offsite Recovery Media (ORM). Because FIX=YES has been specified for the audit command, the audit function creates an entry using the default value in the server database for the courier name definitions.
- System Action:** Audit processing continues.
- User Response:** To override the default value, issue a SET DRMCOURIERNAME command to change the value after the audit command has completed.
-
- ANR6737E** *Audit command: Vault name for ORM not found.*
- Explanation:** A database audit process finds no entries in server database for vault name definitions used by DRM Offsite Recovery Media (ORM).
- System Action:** Audit processing continues.
- User Response:** Issue the audit command again and specify FIX=YES to correct the error.
-
- ANR6738I** *Audit command: Vault name for ORM not found - entry will be created.*
- Explanation:** A database audit process finds no entries in server database for vault name definitions used by DRM Offsite Recovery Media (ORM). Because FIX=YES has been specified for the audit command, the audit function creates an entry using the default value in the server database for the vault name definitions.
- System Action:** Audit processing continues.
- User Response:** To override the default value, issue a SET DRMVAULTNAME command to change the value after the audit command has completed.
-

ANR6739E *Audit command: Database backup series expiration days for ORM not found.*

Explanation: A database audit process finds no entries in server database for database backup series expiration days definitions used by DRM Offsite Recovery Media (ORM).

System Action: Audit processing continues.

User Response: Issue the audit command again and specify FIX=YES to correct the error.

ANR6740I *Audit command: Database backup series expiration days for ORM not found - entry will be created.*

Explanation: A database audit process finds no entries in server database for database backup series expiration days definitions used by DRM Offsite Recovery Media (ORM). Because FIX=YES has been specified for the audit command, the audit function creates an entry using the default value in the server database for the database backup series expiration days definitions.

System Action: Audit processing continues.

User Response: To override the default value, issue a SET DRMDBBACKUPEXPIREDDAYS command to change the value after the audit command has completed.

ANR6741E *Audit command: Check label indicator for ORM not found.*

Explanation: A database audit process finds no entries in server database for check label definitions used by DRM Offsite Recovery Media (ORM).

System Action: Audit processing continues.

User Response: Issue the audit command again and specify FIX=YES to correct the error.

ANR6742I *Audit command: Check label indicator for ORM not found - entry will be created.*

Explanation: A database audit process finds no entries in server database for check label definitions used by DRM Offsite Recovery Media (ORM). Because FIX=YES has been specified for the audit command, the audit function creates an entry using the default value in the server database for the check label definitions.

System Action: Audit processing continues.

User Response: To override the default value, issue a SET DRMCHECKLABEL command to change the value after the audit command has completed.

ANR6743E *Audit command: File process indicator for ORM not found.*

Explanation: A database audit process finds no entries in server database for file process definitions used by DRM Offsite Recovery Media (ORM).

System Action: Audit processing continues.

User Response: Issue the audit command again and specify FIX=YES to correct the error.

ANR6744I *Audit command: File process indicator for ORM not found - entry will be created.*

Explanation: A database audit process finds no entries in server database for file process definitions used by DRM Offsite Recovery Media (ORM). Because FIX=YES has been specified for the audit command, the audit function creates an entry using the default value in the server database for the file process definitions.

System Action: Audit processing continues.

User Response: To override the default value, issue a SET DRMFILPROCESS command to change the value after the audit command has completed.

ANR6745E *Audit command: DRM recovery media ID assignments are incorrect.*

Explanation: A database audit process finds that the global attributes recovery media id used for server DRM activities are incorrect.

System Action: Audit processing continues.

User Response: Reissue the audit command with FIX=YES specified so that the DRM global attributes can be corrected.

ANR6746I *Audit command: DRM recovery media ID assignments are incorrect - values will be corrected.*

Explanation: A database audit process finds that the global attributes recovery media ID used for server DRM activities are incorrect. Since FIX=YES has been specified on the AUDIT command, the attribute value will be corrected in the server database.

System Action: Audit processing continues.

User Response: None.

ANR6747I	<p>Number of volumes processed: <i>number</i></p> <p>Explanation: The MOVE DRMEDIA command has processed the number of volumes displayed. This message may be displayed in response to a QUERY PROCESS command for a MOVE DRMEDIA command.</p> <p>System Action: Server operation continues.</p> <p>User Response: None.</p>
<hr/>	
ANR6748I	<p>Number of volumes processed: <i>number</i>. Checking out volume <i>volume name</i> from library <i>library name</i>.</p> <p>Explanation: The MOVE DRMEDIA command displays the number of volumes already processed and the name of the volume currently being checked out from the indicated library. This message may be displayed in response to a QUERY PROCESS command for a MOVE DRMEDIA command.</p> <p>System Action: Server operation continues.</p> <p>User Response: None.</p>
<hr/>	
ANR6749I	<p>Command: <i>process process ID</i> terminated before completion - process canceled.</p> <p>Explanation: The indicated background process performing the command shown has been canceled.</p> <p>System Action: If other processes are executing, these processes continue.</p> <p>User Response: None.</p>
<hr/>	
ANR6750E	<p>Disaster recovery manager operation <i>command being processed</i> is denied - server is not in compliance with license terms.</p> <p>Explanation: The server refuses a disaster recovery manager operation because the current server configuration is not in compliance with the license terms.</p> <p>System Action: Server operation continues. Disaster recovery operations cannot be performed until the server is licensed for the Tivoli Disaster Recovery Manager product.</p> <p>User Response: Issue a QUERY LICENSE command to determine which license terms are not in compliance.</p>
<hr/>	
ANR6751E	<p>Disaster recovery manager operation <i>command being processed</i> is denied - server is not licensed for disaster recovery manager support.</p> <p>Explanation: The server refuses a disaster recovery manager operation because the server is not licensed to support the disaster recovery manager.</p>

System Action: Server operation continues.

User Response: Obtain the license to support the disaster recovery manager from your service provider or reseller. Issue the REGISTER LICENSE command with this license to enable the disaster recovery manager support.

ANR6752W **Disaster recovery manager operation** *Command being processed is in violation of server license terms - server is not licensed for disaster recovery manager support.*

Explanation: The server warns about a disaster recovery manager operation because the server is not licensed to support disaster recovery manager.

System Action: Server operation continues.

User Response: Obtain the license to support disaster recovery manager from your service provider or reseller. Issue the REGISTER LICENSE command with this license to enable disaster recovery manager support.

ANR6753E *command being processed* **encountered an internal server error while checking license compliance.**

Explanation: The server encountered an internal error in determining whether the server is in compliance with license terms.

System Action: Server operation continues.

User Response: Issue the QUERY LICENSE and QUERY STATUS commands to determine if the server is in compliance with license terms. Start an AUDIT LICENSES process to adjust server license information. When this process completes, start the session again. If the problem persists, contact your service representative.

ANR6754I **Machine** *machine name* **characteristics deleted.**

Explanation: A DELETE MACHINE command has deleted the requested characteristics from the server.

System Action: None.

User Response: None.

ANR6755I **Machine** *machine name* **recovery instructions deleted.**

Explanation: A DELETE MACHINE command has deleted the requested recovery instructions from the server.

System Action: None.

User Response: None.

ANR6756E **Machine *machine name* characteristics not defined to the server.**

Explanation: A DELETE MACHINE command cannot delete the requested characteristics from the server. The characteristics for the specified machine are not defined to the server.

System Action: The server operation continues, but the command has no effect.

User Response: Issue the command again and specify a machine that has characteristics defined to the server.

ANR6757E **Machine *machine name* recovery instructions not defined to the server.**

Explanation: A DELETE MACHINE command cannot delete the requested recovery instructions from the server. The recovery instructions for the specified machine are not defined to the server.

System Action: The server operation continues, but the command has no effect.

User Response: Issue the command again and specify a machine that has recovery instructions defined to the server.

ANR6758E ***Command: Only one character string can be specified.***

Explanation: The INSERT command is invalid. Either a characteristics string can be specified or a recovery instructions string can be specified on the command. Both types of strings cannot be specified on the command at the same time.

System Action: The server does not process the command.

User Response: Issue the command again and specify one valid character string.

ANR6759E **Disaster recovery manager operation *command being processed* is denied - disaster recovery manager support is not available for server platform *platform*.**

Explanation: The server refuses a disaster recovery manager operation because disaster recovery manager support is not available for the indicated server platform.

System Action: Server operation continues.

User Response: None.

ANR6760E ***Command: Executable command line exceeds maximum length characters for volume *volume name*.***

Explanation: While writing to a command file, one of the following conditions occurred:

-
- The length of the command line written to the command file exceeds the LRECL specified for MVS or exceeds the default length for the command line written (255).
 - The length of the command created after replacing the substitution variables &VOL, &VOLDSN, &NL, and &LOC exceeds the server allowable command line length (1500).

System Action: The server stops processing the command.

User Response: Issue the command again and specify a valid executable command with the CMD parameter.

In the case where volumes are being ejected from the library, it is possible the server database does not reflect the true state of the volume. For MOVE DRMEDIA, rerun the command after determining the cause of the error. For MOVE MEDIA, an update volume command should be issued setting the access of the volume to read only.

If this message is issued by a MOVE or QUERY DRMEDIA command and the volume record has been deleted from the server database, you can not use the MOVE or QUERY DRMEDIA commands to create the command file entry for this volume. In this case, you must manually issue the proper command.

ANR6761E

Command: **WHERESTATE** parameter is required.

Explanation: The indicated command specifies a volume name containing a pattern matching character and the TOSTATE parameter. The WHERESTATE parameter is not specified. The specification is invalid. Pattern-matching for volume names is only allowed when the WHERESTATE parameter is specified.

System Action: The server does not process the command.

User Response: Reissue the command specifying a specific volume name or by specifying the WHERESTATE parameter along with the TOSTATE parameter.

ANR6762E

Command: **The specified destination state *tostate* is invalid for volume *volume name* in current state *state*.**

Explanation: The indicated command specifies a destination state that is invalid for the volume name shown in the indicated current state.

System Action: The server does not process the volume.

User Response: Issue the command again and specify a valid destination state for the volume name shown.

ANR6763I *Command: The specified command has been written to file 'file name'.*

Explanation: The command string specified with the CMD parameter on the command shown is written to the indicated file for each volume successfully processed.

System Action: None

User Response: Execute the commands written to the file.

ANR6764E *command: Command file name exceeds maximum characters characters.*

Explanation: The file name specified for containing the executable commands generated by DRM exceeds the maximum valid length shown.

System Action: The server does not process the command.

User Response: Reissue the command specifying a valid file name.

ANR6765E *Command: Invalid not mountable location name - not mountable name.*

Explanation: The indicated command has been entered with an invalid not mountable location name.

System Action: The server does not process the command.

User Response: Reissue the command with a valid not mountable location name.

ANR6766E *Command: No command string is specified for FORMAT=CMD.*

Explanation: The indicated command has been entered with a FORMAT=CMD to write a command string to a file, but no command string is specified.

System Action: The server does not process the command.

User Response: Reissue the command specifying a command string to be written to a file.

ANR6767E *Command: Invalid command file name - command file name.*

Explanation: The indicated command has been entered with an invalid command file name.

System Action: The server does not process the command.

User Response: Reissue the command with a valid command file name.

-
- ANR6768E** *command: Prefix exceeds maximum characters characters.*
- Explanation:** The prefix specified for recovery plan files or for plan instructions files exceeds the maximum valid length. The maximum valid length is shown in the message.
- System Action:** The server does not process the command.
- User Response:** Reissue the command specifying a valid prefix.
-
- ANR6769E** *Audit command: Not mountable name information for ORM not found.*
- Explanation:** A database audit process finds no entries in server database for not mountable location name definitions used by DRM Offsite Recovery Media (ORM).
- System Action:** Audit processing continues.
- User Response:** Issue the audit command again and specify FIX=YES to correct the error.
-
- ANR6770I** *Audit command: Not mountable name information for ORM not found - entry will be created.*
- Explanation:** A database audit process finds no entries in server database for not mountable location name definitions used by DRM Offsite Recovery Media (ORM). Because FIX=YES has been specified for the audit command, the audit function creates an entry using the default value in the server database for the courier name definitions.
- System Action:** Audit processing continues.
- User Response:** To override the default value, issue a SET DRMNOTMOUNTABLENAME command to change the value after the audit command has completed.
-
- ANR6771E** *Audit command: Command file name information for ORM not found.*
- Explanation:** A database audit process finds no entries in server database for command file name definitions used by DRM Offsite Recovery Media (ORM).
- System Action:** Audit processing continues.
- User Response:** Issue the audit command again and specify FIX=YES to correct the error.
-

ANR6772I *Audit command: Command file name information for ORM not found - entry will be created.*

Explanation: A database audit process finds no entries in server database for command file name definitions used by DRM Offsite Recovery Media (ORM). Because FIX=YES has been specified for the audit command, the audit function creates an entry using the default value in the server database for the command file name definitions.

System Action: Audit processing continues.

User Response: To override the default value, issue a SET DRMCMDFILENAME command to change the value after the audit command has completed.

ANR6773E *Command: Unable to open file 'command file name' for output.*

Explanation: An error occurred while opening the command file name shown. The file name shown in the message is specified with the indicated command, the SET command, or the default name generated by the indicated command.

System Action: The server does not process the indicated command.

User Response: Examine error messages that may have been displayed prior to this message and correct any problems, if possible. Make sure that the server has proper authority to write to the file indicated. In AIX, make sure that the file name specified in the command or in the SET command is a full path file name, not a directory path name. In MVS, make sure that the file name specified in the command or in the SET command is a valid MVS file name. Reissue the command after determining the cause of the error.

ANR6774E *Command: Invalid volume transition states - from 'specified WHERESTATE' state to 'specified TOSTATE' state.*

Explanation: The TOSTATE specified is an invalid destination state for the WHERESTATE specified.

System Action: The server does not process the command.

User Response: Issue the command again and specify a valid destination state.

ANR6775E *Command: Error writing to file 'file name' for volume volume name.*

Explanation: An error occurred while writing to the file name shown for the indicated volume.

System Action: The server stops processing the command.

User Response: Examine error messages that may have been displayed prior to this message and correct any problems, if possible. Make sure that the server has proper authority to write to the file indicated. Reissue the command after determining the cause of the error.

In the case where volumes are being ejected from the library, it is possible the server database does not reflect the true state of the volume. For MOVE DRMEDIA, rerun the command after determining the cause of the error. For MOVE MEDIA, an update volume command should be issued setting the access of the volume to read only.

If this message is issued by a MOVE or QUERY DRMEDIA command and the volume record has been deleted from the server database, you can not use the MOVE or QUERY DRMEDIA commands to create the command file entry for this volume. In this case, you must manually issue the proper command.

ANR6776E *Command: Could not delete file: file name*

Explanation: The indicated command failed but the file created could not be deleted.

System Action: None.

User Response: Delete the file shown.

ANR6777E *Command: Command file 'file name' already in use.*

Explanation: The command indicated references a command file name that is in use. The command file name shown is selected for use by the server in the following order:

- The file name specified on the indicated command.
- The file name specified on the SET command.
- The file name generated by the server (AIX only).

System Action: The server does not process the command.

User Response: Reissue the command at a later time or reissue the command specifying a different command file name.

ANR6778E *Command: Volume volume name not processed: device type device type not supported.*

Explanation: The indicated volume is not processed because the device type shown is not supported by the function.

System Action: The indicated volume is not processed.

User Response: None.

ANR6779E **Disaster recovery manager operation *command being processed* is denied - disaster recovery manager support is not available for server platform.**

Explanation: The server refuses a disaster recovery manager operation because disaster recovery manager support is not available for the server platform.

System Action: Server operation continues.

User Response: None.

ANR6780E *Audit command:* **An invalid recovery plan file expiration days encountered.**

Explanation: A database audit process encounters an invalid value for recovery plan file expiration days.

System Action: Audit processing continues.

User Response: Issue the command again and specify FIX=YES to correct the expiration days. Or, issue an SET DRMRPFEXPIREDDAYS command and specify a new expiration days value.

ANR6781I *Audit command:* **An invalid recovery plan file expiration days encountered - the default value will be set.**

Explanation: A database audit process encounters an invalid value for recovery plan file expiration days. Because FIX=YES has been specified, the audit function sets the expiration days value to the default value.

System Action: Audit processing continues.

User Response: To override the default value, issue a SET DRMRPFEXPIREDDAYS command to change the value after the audit command has completed.

ANR6782E *Audit command:* **Recovery plan file expiration days not found.**

Explanation: A database audit process finds no entries in server database for recovery plan file expiration days definitions.

System Action: Audit processing continues.

User Response: Issue the audit command again and specify FIX=YES to correct the error.

ANR6783I *Audit command:* **Recovery plan file expiration days not found - entry will be created.**

Explanation: A database audit process finds no entries in server database for recovery plan file expiration days definitions. Because FIX=YES has been specified

for the audit command, the audit function creates an entry using the default value in the server database for the recovery plan file expiration days definitions.

System Action: Audit processing continues.

User Response: To override the default value, issue a SET DRMRPFEXPIREDDAYS command to change the value after the audit command has completed.

ANR6784I **Number of volumes processed:** *number volumes processed*. **Volumes sent to library** *library name* **for checkout:** *number volumes sent*.

Explanation: The MOVE DRMEDIA command has processed the number of volumes shown. Currently, the MOVE DRMEDIA command has sent for processing the number of volumes shown to the library shown. This message may be displayed in response to a QUERY PROCESS command for a MOVE DRMEDIA command.

System Action: Server operation continues.

User Response: None.

ANR6785W **Warning: The ADSM V3 Disaster Recovery Manager Disk Image Dump function is not supported in the Tivoli Disaster Recovery Manager. The ADSM V3 DRM Disk Image Restore function has been stabilized with no new maintenance or hardware support planned.**

Explanation: None.

System Action: DRM Disk Image Dump and Restore function continues.

User Response: None.

ANR6900I **Command: The recovery plan file *file name* was created.**

Explanation: The recovery plan file was created.

System Action: None.

User Response: None.

ANR6901I **Number of plan stanzas processed:** *number*.

Explanation: The PREPARE command has processed the number of stanzas displayed. This message may be displayed in response to a QUERY PROCESS command for a PREPARE command.

System Action: Server operation continues.

User Response: None.

ANR6902I **Number of plan stanzas processed:** *number*. **Currently processing stanza:** *recovery plan stanza name*.

Explanation: The PREPARE command displays the number of stanzas already processed and the name of the stanza currently being processed. This message may be displayed in response to a QUERY PROCESS command for a PREPARE command.

System Action: Server operation continues.

User Response: None.

ANR6903I **Cancel in progress.**

Explanation: The PREPARE command has been canceled and will end when resources have been freed for the background process. This message may be displayed in response to a QUERY PROCESS command for a PREPARE command.

System Action: Server operation continues.

User Response: None.

ANR6904I **Sending recovery plan file to target server.**

Explanation: The PREPARE command is sending the recovery plan file to the target server. This message may be displayed in response to a QUERY PROCESS command for a PREPARE command.

System Action: Server operation continues.

User Response: None.

ANR6905I **Command: Recovery plan file RPF volume name was created. Specified device class device class name.**

Explanation: The recovery plan file was created on the target server.

System Action: Server operation continues.

User Response: None.

ANR6912W **Command: The database was not backed up.**

Explanation: No backups have been made of the server data base.

System Action: Stanzas in the recovery plan do not include database recovery information.

User Response: Backup the server data base by issuing the BACKUP DB command.

ANR6913W *Command: No volumes with backup data exist in copy storage pool storage pool name.*

Explanation: A copy storage pool does not contain any volumes with usable data.

System Action: Stanzas in the recovery plan do not include recovery information for any volumes in the storage pool.

User Response: Determine why this storage pool has no volumes with usable data.

ANR6915W *Command: Storage pool storage pool name storage pool type is not defined to the server.*

Explanation: A storage pool that is not defined to the server was specified by SET DRMPRIMSTGPOOL, SET DRMCOPYSTGPOOL, or on the PREPARE command line.

System Action: Stanzas in the recovery plan do not include recovery information for the storage pool.

User Response: Correct the storage pool specification or define the storage pool to the server.

ANR6916W *Command: No copy storage pools are defined.*

Explanation: The server has no copy storage pools defined.

System Action: Recovery plan file will not contain copy storage pool information.

User Response: Define copy storage pools in the server.

ANR6918W *Command: Recovery instructions file file name not found.*

Explanation: A source file for recovery instructions was not found.

System Action: The recovery plan will not contain recovery instructions.

User Response: To get recovery instructions in the recovery plan, ensure the corresponding instructions source file exists. If it does, check authorizations to the file.

ANR6920W *Command: Generated replacement volume name volume name is not valid for server device type device type. Original volume name: volume name. Stanza is stanza name.*

Explanation: Appending the replacement volume name postfix (as defined with SET DRMPLANVPOSTFIX) to the original volume name has created a name that is not valid for the server device type shown.

System Action: Replacement volume name is used in the recovery plan stanza.

User Response: Devise a naming convention that allows the use of the replacement volume name postfix or at restore time manually update the generated recovery plan with a legal replacement name. For additional information and related commands, refer to the Administrator's Reference for your particular platform.

ANR6921W

Command: **Cannot locate server options file** *'file name'*.

Explanation: The Prepare command cannot open the specified server options file.

System Action: VOLHISTORY and DEVCONFIG options are added to the recovery plan file stanza DSMSERV.OPT.FILE.

User Response: None.

ANR6922W

Command: **No machine information was defined for the machine that contains server** *server name*.

Explanation: The machine information has not been saved in the server data base.

System Action: The recovery plan file does not contain the machine and recovery media information stanzas.

User Response: If you want to include the machine information in the recovery plan file, issue the DEFINE MACHINE command to save the machine information in the server data base and reissue the PREPARE command.

ANR6923W

Command: **No recovery media defined for machine** *machine name*.

Explanation: No recovery media has been defined to the server for the specified machine.

System Action: The recovery plan file does not contain the machine recovery media stanza.

User Response: If you want to include the machine recovery media information in the recovery plan file, issue the DEFINE RECOVERYMEDIA command. Reissue the PREPARE command after the appropriate commands have been issued to define the recovery media. For additional information and related commands, refer to the Administrator's Reference for your particular platform.

ANR6924W

Command: **No recovery instructions defined for machine** *machine name*.

Explanation: No recovery instructions have been defined to the server for the specified machine.

System Action: The recovery plan file does not contain the machine recovery instructions stanza.

User Response: If you want to include the machine recovery instructions in the recovery plan file, issue the INSERT command. Reissue the PREPARE command after the appropriate commands have been issued to define the recovery media. For additional information and related commands, refer to the Administrator's Reference for your particular platform.

ANR6925W

Command: No machine characteristics defined for machine *machine name*.

Explanation: No characteristics have been defined to the server for the specified machine.

System Action: The recovery plan file does not contain the machine characteristics stanza.

User Response: If you want to include the machine recovery instructions in the recovery plan file, issue the INSERT command. Reissue the PREPARE command after the appropriate commands have been issued to define the recovery media. For additional information and related commands, refer to the Administrator's Reference for your particular platform.

ANR6926W

Command: There is at least one invalid generated volume name associated with storage pool *storage pool server device type device type* in stanza *stanza name*.

Explanation: Appending the replacement volume name postfix (as defined with SET DRMPANVPOSTFIX) to the original volume name has created a name that is not valid for the server device type shown.

System Action: Replacement volume name is used in the recovery plan stanza.

User Response: Devise a naming convention that allows the use of the replacement volume name postfix or at restore time manually update the generated recovery plan with a legal replacement name. For additional information and related commands, refer to the *Administrator's Reference* for your particular platform.

ANR6937E

command: *parameter name* **parameter not allowed from the command line.**

Explanation: The parameter shown is not allowed from the command line interface.

System Action: The server does not process the command.

User Response: Reissue the command with the parameter from the web.

ANR6938I

No information found for stanza *stanza name*.

Explanation: No information found for recovery plan file stanza shown.

System Action: The server does not display the information for the stanza.

User Response: None

ANR6939E *Command: Invalid recovery plan file stanza name - stanza name.*

Explanation: The specified recovery plan file stanza name is invalid.

System Action: The server does not process the command.

User Response: Issue the command again and specify a valid recovery plan file stanza name.

ANR6940E *command command not allowed from server console.*

Explanation: The indicated command is not allowed to be issued from the server console.

System Action: The command is not executed.

User Response: Reissue the command from an administrator using an Administrative Client.

ANR6941E **Query recovery plan file content is waiting for mount point in device class**
device class name.

Explanation: Query recovery plan file content has begun to wait for a mount point that can be used for a volume in the device class shown.

System Action: The function waits for the mount point.

User Response: Respond to any mount requests.

ANR6942E **Query recovery plan file content is waiting for access to input volume** *volume name.*

Explanation: Query recovery plan file content has begun to wait for availability of the input volume shown.

System Action: The function waits for the volume to become available.

User Response: None.

ANR6943E **Query recovery plan file content is waiting for mount of input volume** *volume name.*

Explanation: Query recovery plan file content has begun to wait for the mount of the input volume shown.

System Action: The function waits for mount.

User Response: Respond to any mount requests.

-
- ANR6944E** *Command: Invalid recovery plan file name - recovery plan file name.*
- Explanation:** The recovery plan file name specified in the command is invalid.
- System Action:** The server does not process the command.
- User Response:** Issue the command again and specify a valid recovery plan file name.
-
- ANR6945E** *Command: Cannot find filespace filespace name for recovery plan file recovery plan file name.*
- Explanation:** The server cannot find the filespace (ADSM.SERVER) for recovery plan file specified in the server.
- System Action:** The retrieve operation ends, and the server operation continues.
- User Response:** Issue QUERY FILESPACE command on the target server to see if there is any filespace created for the recovery plan file. The filespace name for the recovery plan file is ADSM.SERVER.
-
- ANR6946E** *Command: Retrieve failed for recovery plan file name - error on input storage device.*
- Explanation:** The server ends an retrieve operation because an I/O error has been encountered by the server in reading from a device.
- System Action:** The retrieve operation ends, and the server operation continues.
- User Response:** Query the activity log to find messages preceding this one that specify the device that is failing. The server may need to be shut down with the HALT command to correct the hardware problem.
-
- ANR6947E** *Command: Data storage retrieve failed for recovery plan file name - data integrity error detected.*
- Explanation:** The server ends the retrieve operation because an internal database integrity error has been encountered on the server.
- System Action:** The retrieve operation ends, and the server operation continues.
- User Response:** Contact your service representative.
-
- ANR6948E** *Command: Cannot find the recovery plan file for Recovery plan file name.*
- Explanation:** The server cannot find the specified recovery plan file.
- System Action:** The server does not process the command.
-

User Response: Issue the command again and specify a valid recovery plan file name. Use the QUERY RPFIL command to view the name of the recovery plan file that you are interested in displaying its content.

ANR6949E

Command: **No matching device class defined.**

Explanation: The device class specified in the command does not match any device class defined to the server.

System Action: The server does not process the command.

User Response: Issue the command again and specify a valid device class.

ANR6950E

Command: **The recovery plan file was not created.**

Explanation: Due to a processing error, a recovery plan file was not created.

System Action: Recovery plan file not created.

User Response: Examine error messages that may have been displayed prior to this message and correct any problems, if possible. Reissue the command, after determining the cause of the error.

ANR6951E

Command: **Recovery plan file file name was not created.**

Explanation: Due to a processing error, a recovery plan file was not created.

System Action: Recovery plan file not created.

User Response: Examine error messages that may have been displayed prior to this message and correct any problems, if possible. Make sure that the server has proper authority to write to the file indicated and that there is sufficient space in the file system for the file. Reissue the command, after determining the cause of the error.

ANR6952E

Command: **File name file name already exists.**

Explanation: File already exists.

System Action: None.

User Response: Determine why file already exists. If possible, delete it. Reissue the command, after determining the cause of the error.

ANR6953E

Command: **File write error.**

Explanation: An error occurred while writing to the recovery plan file.

System Action: The recovery plan file was not created.

User Response: Examine error messages that may have been displayed prior to this message and correct any problems, if possible. Make sure that there is sufficient space in the file system for the file. Reissue the command after determining the cause of the error.

ANR6954E *Command: Unable to open file 'file name' for output.*

Explanation: An error occurred while opening the recovery plan file for output.

System Action: The recovery plan file was not created.

User Response: Examine error messages that may have been displayed prior to this message and correct any problems, if possible. Make sure that the server has proper authority to write to the file indicated. Reissue the command after determining the cause of the error.

ANR6959E *Command: Plan instructions prefix 'instructions prefix' is not valid.*

Explanation: The prefix specified for recovery instructions is not valid.

System Action: The recovery plan file was not created.

User Response: Reissue the command specifying a valid prefix.

ANR6960E *Command: Recovery plan prefix 'plan prefix' is not valid.*

Explanation: The prefix specified for the recovery plan file is too long.

System Action: The recovery plan file was not created.

User Response: Reissue the command specifying a valid prefix.

ANR6962E *Command: Query database failed.*

Explanation: A server database query error occurred. This message always accompanies another error message and provides more detail about that error.

System Action: The recovery plan file was not created.

User Response: Issue a QUERY ACTLOG command to view the activity log and search for messages. If the error cannot be isolated and resolved, contact your service representative.

ANR6963E *Command: Query log failed.*

Explanation: A server database query error occurred. This message always accompanies another error message and provides more detail about that error.

System Action: The recovery plan file was not created.

User Response: Issue a QUERY ACTLOG command to view the activity log and search for messages. If the error cannot be isolated and resolved, contact your service representative.

ANR6964E

Command: Query storage pool failed.

Explanation: An server database query error occurred. This message always accompanies another error message and provides more detail about that error.

System Action: The recovery plan file was not created.

User Response: Issue a QUERY ACTLOG command to view the activity log and search for messages. If the error cannot be isolated and resolved, contact your service representative.

ANR6965E

Command: Query volume failed.

Explanation: An server database query error occurred. This message always accompanies another error message and provides more detail about that error.

System Action: The recovery plan file was not created.

User Response: Issue a QUERY ACTLOG command to view the activity log and search for messages. If the error cannot be isolated and resolved, contact your service representative.

ANR6966E

Command: Query database volume failed.

Explanation: A server database query error occurred. This message always accompanies another error message and provides more detail about that error.

System Action: The recovery plan file was not created.

User Response: Issue a QUERY ACTLOG command to view the activity log and search for messages. If the error cannot be isolated and resolved, contact your service representative.

ANR6967E

Command: Query log volume failed.

Explanation: A server database query error occurred. This message always accompanies another error message and provides more detail about that error.

System Action: The recovery plan file was not created.

User Response: Issue a QUERY ACTLOG command to view the activity log and search for messages. If the error cannot be isolated and resolved, contact your service representative.

-
- ANR6968E** *Command: Query volume history failed.*
- Explanation:** An server database query error occurred. This message always accompanies another error message and provides more detail about that error.
- System Action:** The recovery plan file was not created.
- User Response:** Issue a QUERY ACTLOG command to view the activity log and search for messages. If the error cannot be isolated and resolved, contact your service representative.
-
- ANR6969E** *Command: Query device class failed.*
- Explanation:** An server database query error occurred. This message always accompanies another error message and provides more detail about that error.
- System Action:** The recovery plan file was not created.
- User Response:** Issue a QUERY ACTLOG command to view the activity log and search for messages. If the error cannot be isolated and resolved, contact your service representative.
-
- ANR6970E** *Command: A recovery plan file is already being created.*
- Explanation:** The server command processor will not start a background process to execute another PREPARE command.
- System Action:** The command process ends and server operation continues.
- User Response:** Reissue the command after the first PREPARE command has completed.
-
- ANR6971E** *Command: Could not delete plan file *plan file name*.*
- Explanation:** Prepare command failed but the plan file created could not be deleted.
- System Action:** None.
- User Response:** Delete the plan file.
-
- ANR6972E** *Command: Query machine failed.*
- Explanation:** A server machine query error occurred. This message always accompanies another error message and provides more detail about that error.
- System Action:** The recovery plan file was not created.
-

User Response: Issue a QUERY ACTLOG command to view the activity log and search for messages. If the error cannot be isolated and resolved, contact your service representative.

ANR6973E

Command: Query recovery media failed.

Explanation: A server recovery media query error occurred. This message always accompanies another error message and provides more detail about that error.

System Action: The recovery plan file was not created.

User Response: Issue a QUERY ACTLOG command to view the activity log and search for messages. If the error cannot be isolated and resolved, contact your service representative.

ANR6974E

Command: Unable to open file file name.

Explanation: An error occurred while PREPARE was attempting to open the local recovery plan file copy in order to send it to the target server.

System Action: The recovery plan file is not stored on the target server.

User Response: Examine error messages that may have been displayed prior to this message and correct any problems, if possible. Reissue the command after determining the cause of the error.

ANR6975E

Command: Unable to read file file name.

Explanation: An error occurred while PREPARE was attempting to read the local recovery plan file copy in order to send it to the target server.

System Action: The recovery plan file is not stored on the target server.

User Response: Examine error messages that may have been displayed prior to this message and correct any problems, if possible. Reissue the command after determining the cause of the error.

ANR6976E

Command: The recovery plan file was not stored on another server and the local copy file name cannot be deleted.

Explanation: Due to a processing error, a recovery plan file was not stored on target server and the local copy of the plan file cannot be deleted.

System Action: PREPARE processing ends.

User Response: Examine error messages that may have been displayed prior to this message and correct any problems, if possible. After determining the cause of the error, re-issue the PREPARE command and delete the local recovery plan file.

ANR6977E *Command: Device class name device class name exceeds maximum characters characters.*

Explanation: The command shown has been entered and specifies a device class name that is too long. The maximum valid length for a device class name is shown in the message.

System Action: The server does not process the command.

User Response: Reissue the command specifying a valid device class name.

ANR6978E *Command: Invalid device class device class name.*

Explanation: The specified device class cannot be used by the command shown. Possible reasons include:

- The device class is not defined.
- The device class is defined but not of type SERVER.
- The name specified is an invalid device class name.

System Action: The server does not process the command.

User Response: Reissue the command with a valid device class.

ANR6979E *Command: Recovery plan file was not created. Specified device class device class name.*

Explanation: A recovery plan file cannot be not created using the specified device class.

System Action: Recovery plan file not created.

User Response: Examine error messages that may have been displayed prior to this message and correct any problems, if possible. Reissue the command, after determining the cause of the error.

ANR6980E *Command: Prefix prefix exceeds maximum characters characters.*

Explanation: The command shown has been entered and specifies a plan or instructions prefix that is too long. The maximum valid length is shown in the message.

System Action: The server does not process the command.

User Response: Reissue the command specifying a shorter prefix.

ANR6984E *Command: Out of space on sequential media, scratch media could not be mounted. Specified device class `device class name`; maximum capacity: number of bytes bytes.*

Explanation: During command PREPARE processing, the process encounters an out-of-space condition writing to the sequential media. Command PREPARE ends when there is no more space on the sequential media for storing data.

System Action: Command PREPARE processing ends. Server processing continues.

User Response: Increase the device class maximum capacity and reissue the PREPARE command. If an object was created on the target server, issue the RECONCILE VOLUMES FIX=YES to delete the object from the target server.

ANR6985E *Command: Error encountered in accessing data storage - volume already in use.*

Explanation: During command *command* processing, a volume cannot be used because it is already defined in a storage pool, or has been previously used by an export, database dump, database backup, or DRM prepare operation or is in use by another process.

System Action: The command *command* operation is ended and server operation continues.

User Response: Re-issue the PREPARE command.

ANR6986E *Command: The DELETEDATEST parameter is only valid for volume history types RPFIL or RPFSSNAPSHOT.*

Explanation: The command failed because an invalid volume history type was specified for the TYPE= parameter.

System Action: The command fails, and server operation continues.

User Response: Re-issue the command and specify a valid type value.

ANR7800I (AIX) *DSMSERV generated at time on date.*

Explanation: The server module was generated at the indicated date and time.

System Action: Server operation continues.

User Response: None.

ANR7800I (AS/400)

QANRSERV generated at time on date.

Explanation: The ADSM server module has been generated at the indicated date and time.

System Action: Server operation continues.

User Response: None.

ANR7800I (HP-UX)

DSMSERV generated at time on date.

Explanation: The server module was generated at the indicated date and time.

System Action: Server operation continues.

User Response: None.

ANR7800I (Solaris)

DSMSERV generated at time on date.

Explanation: The server module was generated at the indicated date and time.

System Action: Server operation continues.

User Response: None.

ANR7800I (Windows NT)

DSMSERV generated at time on date.

Explanation: The server module was generated at the indicated date and time.

System Action: Server operation continues.

User Response: None.

ANR7801I (AIX) Subsystem (master) PID is process identifier.

Explanation: The server kernel extension process has the indicated process identifier.

System Action: Server operation continues.

User Response: None.

ANR7801I (HP-UX)

Subsystem (master) process ID is *process identifier*.

Explanation: The server's master HP-UX process has the indicated process identifier.

System Action: Server operation continues.

User Response: None.

ANR7801I (Solaris)

Subsystem process ID is *process identifier*.

Explanation: The server process has the indicated process identifier.

System Action: Server operation continues.

User Response: None.

ANR7802E (AIX) Shared memory segments for a server running in the current directory already exist. The -F parameter can be used to overwrite.

Explanation: Shared memory segments are created for each instance of the server based on the current directory. This message indicates that the shared memory segments already exist. A server is presently running from the current directory or a server running from the current directory ended abnormally.

System Action: The server terminates.

User Response: If the server running in the current directory terminated abnormally, start dsmserv with the -F parameter to force the existing shared memory segments to be overwritten. If you want to run multiple instances of the server, each instance must be run from a separate directory with a separate dsmserv.dsk file and have separate log, database, and storage volumes.

ANR7803E (AIX) Attempt to overwrite a shared memory segment, as directed with the -F parameter, FAILED.

Explanation: The server has been started with the -F parameter and unsuccessfully attempted to overwrite existing shared memory segments. This error occurs when the user that starts the server with -F parameter is not the owner of the shared memory segments and lacks the required authority.

System Action: Server terminates.

User Response: Resolve the authorization problem and restart the server.

ANR7804I (AIX) An server is already running from this directory.

Explanation: The server has attempted to open the admserv.lock file in the current directory but failed to do so because an existing server already has the file open.

System Action: Server terminates.

User Response: Examine the contents of the admserv.lock file. The process ID for the server that is running is recorded in this file. Two servers cannot be started from the same directory. You may remove the admserv.lock file and attempt to start the server ONLY if the recorded process ID is NOT currently running dsmserv. The 'ps -e' AIX command can be used to display processes that are currently running.

ANR7804I (HP-UX)

A server is already running from this directory.

Explanation: The server has attempted to open the admserv.lock file in the current directory but failed to do so because an existing server already has the file open.

System Action: Server terminates.

User Response: Examine the contents of the admserv.lock file. The process ID for the server that is running is recorded in this file. Two servers cannot be started from the same directory. You may remove the admserv.lock file and attempt to start the server ONLY if the recorded process ID is NOT currently running dsmserv. The 'ps -e' command can be used to display processes that are currently running.

ANR7805E (AIX) Volume *volume name* is in use by another server.

Explanation: The server has attempted to open a disk volume but has discovered that the volume is in use by another server.

System Action: The open operation fails for the volume.

User Response: To prevent concurrent RAW volume access by more than one server, files are created in the /tmp directory to 'lock' these volumes. The names of these temporary files are /tmp/adsm.disk.dev.<volumename> where <volumename> is the name of the RAW volume defined in the /dev directory. Please note that the name for the logical volume as defined in SMIT is represented in the /dev directory with a leading 'r' character (for example, a raw volume defined in SMIT as dsmstg1 will be represented in the /dev directory as the file /dev/rdsmstg1).

You may use the AIX 'ps -e' command to determine if other dsmserv processes are running. You may remove the temporary lock files and attempt to re-start the server ONLY if there are no other dsmserv processes running

ANR7805E (Solaris)

Volume *volume name* **is in use by another server.**

Explanation: The server has attempted to open a disk volume but has discovered that the volume is in use by another server.

System Action: The open operation fails for the volume.

User Response: To prevent concurrent RAW volume access by more than one server, files are created in the /tmp directory to 'lock' these volumes. The names of these temporary files are /tmp/adsm.disk.dev.<volumename> where <volumename> is the name of the RAW volume defined in the /dev directory. Please note that the name for a RAW logical volume as defined in Solaris is in the /dev directory with a leading 'r' character (for example, a raw volume defined in Solaris on a regular SCSI drive as dsk/c0t0d0s0 will be represented in the /dev directory as the file /dev/rdisk/c0t0d0s0). For a REGULAR DISK volume, the server automatically locks/unlocks a volume. Different linked file names pointing to the same volume will cause this message since the server locks the linked volume, not the link name itself.

You may use the Solaris 'ps -ef | grep dsmserv' command to determine if other dsmserv processes are running. You may remove the temporary lock files for RAW volumes and attempt to re-start the server ONLY if there are no other dsmserv processes are running.

ANR7806W (AIX)

Unable to open file *file*.

Explanation: The server was unable to open the indicated file.

System Action: The operation that was to use the indicated file fails. A subsequent unnumbered message had details from the system.

User Response: Determine the reason for being unable to open the file and re-attempt the operation. Common reasons for being unable to open the file include providing the wrong name, having insufficient authorization to open the file and not being the file's owner.

ANR7806W (HP-UX)

Unable to open file *file*.

Explanation: The server was unable to open the indicated file.

System Action: The operation that was to use the indicated file fails. A subsequent unnumbered message had details from the system.

User Response: Determine the reason for being unable to open the file and re-attempt the operation. Common reasons for being unable to open the file include providing the wrong name, having insufficient authorization to open the file and not being the file's owner.

ANR7806W (Solaris)

Unable to open file *file*.

Explanation: The server was unable to open the indicated file.

System Action: The operation that was to use the indicated file fails. A subsequent unnumbered message had details from the system.

User Response: Determine the reason for being unable to open the file and re-attempt the operation. Common reasons for being unable to open the file include providing the wrong name, having insufficient authorization to open the file and not being the file's owner.

ANR7806W (Windows NT)

Unable to open file *file*.

Explanation: The server was unable to open the indicated file.

System Action: The operation that was to use the indicated file fails. A subsequent unnumbered message had details from the system.

User Response: Determine the reason for being unable to open the file and re-attempt the operation. Common reasons for being unable to open the file include providing the wrong name, having insufficient authorization to open the file and not being the file's owner. The file may be already opened by the server or another program.

ANR7807W (AIX)

Unable to get information for file *file*.

Explanation: The server was unable to get information about the indicated file.

System Action: The operation that was to use the indicated file fails. A subsequent, unnumbered message has details from the system.

User Response: Determine the reason for being unable to access the file and re-attempt the operation. Common reasons for being unable to access the file include providing the wrong name, having insufficient authorization to open the file and not being the file's owner.

ANR7807I (AS/400)

User is not authorized to reset password.

Explanation: The user must have either all object authority, security administrator authority, or security officer authority.

System Action: Server operation ends.

User Response: None.

ANR7807W (HP-UX)

Unable to get information for file *file*.

Explanation: The server was unable to get information about the indicated file.

System Action: The operation that was to use the indicated file fails. A subsequent, unnumbered message has details from the system.

User Response: Determine the reason for being unable to access the file and re-attempt the operation. Common reasons for being unable to access the file include providing the wrong name, having insufficient authorization to open the file and not being the file's owner.

ANR7807W (Solaris)

Unable to get information for file *file*.

Explanation: The server was unable to get information about the indicated file.

System Action: The operation that was to use the indicated file fails. A subsequent, unnumbered message has details from the system.

User Response: Determine the reason for being unable to access the file and re-attempt the operation. Common reasons for being unable to access the file include providing the wrong name, having insufficient authorization to open the file, not being the file's owner, or too many soft links to the file. If trying to access a RAW partition, the server must be started with superuser privileges.

ANR7808W (AS/400)

AS/400 action returned exception exception ID.

Explanation: The server attempts to perform the given AS/400 action, and the indicated exception ID is returned. The server may issue additional error messages if this condition prevents it from completing an operation.

System Action: Server operation continues.

User Response: If the exception prevents the server from completing an operation, evaluate both the specified exception and the AS/400 action to determine the steps necessary to correct the problem.

ANR7809I (AS/400)

Formatting file *fileName* **at size** *fileSize*.

Explanation: The specified file is being formatted.

System Action: Server operation continues.

User Response: None.

ANR7810W (AIX)

Unable to create a new child process.

Explanation: The server cannot create a new child thread.

System Action: Server processing continues. Other error messages from the server component are displayed.

User Response: Ensure that sufficient paging space is available for AIX. If the server has been started from a non-root user ID, ensure that the AIX process limit per user is sufficient for the server. The server requires approximately 24 processes, in addition to one process per client session, and one process for each background operation. Each thread started by the server is an AIX process. To change the number of processes per user, use the SMIT menus for System Environment, and choose Change / Show Characteristics of Operating System. You may also use SMIT to determine if the number of applications is causing a memory shortage. It may be necessary to decrease the maximum number of client sessions by changing the MAXSESSIONS option in the server options file.

ANR7810I (AS/400)

Connected to Tivoli event server at *node name* **on port** *port*.

Explanation: The server successfully established a connection with the Tivoli event server on the specified *node name* and *port*.

System Action: Server sends events to the Tivoli event server using this connection.

User Response: None.

ANR7810E (HP-UX)

Error creating console input thread.

Explanation: Unable to start console input thread.

System Action: Server operation stops.

User Response: See other issued messages.

ANR7810E (Solaris)

Error creating console input thread.

Explanation: Unable to start console input thread.

System Action: Server operation stops.

User Response: See other issued messages.

ANR7811E (AS/400)

Unable to connect to the Tivoli event server at *node name* on port *port*.

Explanation: The server was unable to establish a connection with the Tivoli event server on the specified *node name* and *port*.

System Action: Event logging to the Tivoli event server is disabled.

User Response: Ensure that the Tivoli event server is running on the specified system. If the system on which the event server is running does not support the TCP/IP Portmapper, then ensure that the value specified for Tivoli Port in the ADSM server options file is correct.

ANR7811E (HP-UX)

Insufficient memory for console initialization.

Explanation: The server is unable to allocate enough memory for console initialization.

System Action: Server operation stops.

User Response: Ensure that there is sufficient paging space for HP-UX. It may be necessary to reduce the maximum number of client sessions by changing the MAXSESSIONS option in the server options file.

ANR7811E (Solaris)

Insufficient memory for console initialization.

Explanation: The server is unable to allocate enough memory for console initialization.

System Action: Server operation stops.

User Response: Ensure that there is sufficient paging space for Sun Solaris. It may be necessary to reduce the maximum number of client sessions by changing the MAXSESSIONS option in the server options file.

ANR7812E (AS/400)

Unable to determine port of Tivoli event server on *node name*.

Explanation: The server was unable to determine the TCP/IP port on which the Tivoli event server on *node name* is listening.

System Action: Event logging to the Tivoli event server is disabled.

User Response: Ensure that the Tivoli event server is running on the specified system. If the system on which the event server is running does not support the TCP/IP Portmapper, then ensure that the value specified for Tivoli Port in the ADSM server options file is correct.

ANR7812E (HP-UX)

Insufficient memory to buffer console input. The following input line was discarded: *discarded console input*.

Explanation: An error occurs during an attempt to allocate a buffer to hold the specified console input.

System Action: The console input is discarded.

User Response: Ensure that there is sufficient paging space for HP-UX. It may be necessary to reduce the maximum number of client sessions by changing the MAXSESSIONS option in the server options file.

ANR7812E (Solaris)

Insufficient memory to buffer console input. The following input line was discarded: *discarded console input*.

Explanation: An error occurs during an attempt to allocate a buffer to hold the specified console input.

System Action: The console input is discarded.

User Response: Ensure that there is sufficient paging space for Sun Solaris. It may be necessary to reduce the maximum number of client sessions by changing the MAXSESSIONS option in the server options file.

ANR7813E (AS/400)

Unable to connect to Tivoli event server because TCP/IP is not available.

Explanation: The server was unable to establish a TCP/IP connection with the Tivoli event server because TCP/IP services were not available.

System Action: Event logging to the Tivoli event server is disabled.

User Response: Ensure that TCP/IP is enabled in the server. If TCP/IP is enabled, use the BEGIN EVENTLOGGING TIVOLI to restart the event logging to Tivoli.

ANR7813W (Solaris)

Unable to create a new child thread.

Explanation: The server cannot create a new child thread.

System Action: Server processing continues. Other error messages from the server component are displayed.

User Response: Ensure that sufficient swap space is available for Solaris. The amount of swap available can be obtained by executing 'swap -l'. If the number of free blocks is low, you can add swap files while the system is running by executing 'mkfile' and then 'swap -a'. See the Solaris man pages on 'mkfile' and 'swap' for more details. If the server has been started from a non-root user ID, ensure that the Solaris process limit per user is sufficient for the server. You can tune the 'maxusers=##' parameter in the /etc/system file to increase the number of users that can be on the system at one time. This will also force the kernel to allocate more memory/swap for user-processes. A system reboot with the 'reconfigure' option is required for the new user settings to take effect. It may be necessary to decrease the maximum number of client sessions by changing the MAXSESSIONS option in the server options file.

ANR7814E (AS/400)

User exit *exit name* encountered an error. Exit is disabled.

Explanation: An error occurred when invoking the user exit.

System Action: The user exit is disabled.

User Response: Ensure that the program being invoked is correct. When the problem has been corrected, END EVENTLOGGING USEREXIT and then BEGIN EVENTLOGGING USEREXIT to restart event logging to the user exit.

ANR7815E (AS/400)

Unable to find user exit *exit name*.

Explanation: An error occurred when trying to resolve to the specified user exit.

System Action: The user exit is disabled.

User Response: Ensure that the program being invoked is correct. When the problem has been corrected, END EVENTLOGGING USEREXIT and then BEGIN EVENTLOGGING USEREXIT to restart event logging to the user exit.

ANR7816E (AS/400)

ADSM server does not have the authority to invoke exit *exit name*.

Explanation: An error occurred when trying to resolve to the specified user exit.

System Action: The user exit is disabled.

User Response: Ensure that the user starting the server or the user QADSM has authority to the specified exit. When the problem has been correct, END EVENTLOGGING USEREXIT and then BEGIN EVENTLOGGING USEREXIT to restart event logging to the user exit.

ANR7817E (AS/400)

Unable to open file *file name* for file exit.

Explanation: An error occurred when trying to open the file specified for the file exit.

System Action: The file exit is disabled.

User Response: Ensure that the user starting the server or the user QADSM has authority to the specified file. When the problem has been correct, END EVENTLOGGING FILE and then BEGIN EVENTLOGGING FILE to restart event logging to the file.

ANR7818E (AS/400)

Unable to write to file *file name* for file exit, errno *errno*.

Explanation: An error occurred when trying to write the file specified for the file exit.

System Action: The file is disabled.

User Response: Ensure that the user starting the server or the user QADSM has authority to the specified file. When the problem has been corrected, END EVENTLOGGING ... and then BEGIN EVENTLOGGING ... to restart event logging to the file.

ANR7819I (AS/400)

User *AS/400 user ID* issued ENDSRVADSM.

Explanation: User issued ENDSRVADSM command.

System Action: Server operation terminates.

User Response: None.

ANR7820E (AIX) Insufficient memory to buffer console input; the following input line was discarded: *discarded console input*.

Explanation: An error occurs during an attempt to allocate a buffer large enough to read console input.

System Action: The console input is discarded.

User Response: Ensure that sufficient paging space is available for AIX. You may also use SMIT to determine if the number of applications is causing a memory shortage. It may be necessary to decrease the maximum number of client sessions by changing the MAXSESSIONS option in the server options file.

ANR7820E (AS/400)

Unable to open file *file name* for filetext exit.

Explanation: An error occurred when trying to open the file specified for the filetext exit.

System Action: The filetext exit is disabled.

User Response: Ensure that the user starting the server or the user QADSM has authority to the specified file. When the problem has been corrected, END EVENTLOGGING FILETEXT and then BEGIN EVENTLOGGING FILETEXT to restart event logging to the file.

ANR7820S (HP-UX)

Server thread *thread ID* terminated in response to program abort.

Explanation: The thread has ended due to a program abort.

System Action: The server completes termination processing.

User Response: Note the associated messages and contact your service representative.

ANR7820S (Solaris)

Server thread *thread ID* terminated in response to program abort.

Explanation: The thread has ended due to a program abort.

System Action: The server completes termination processing.

User Response: Note the associated messages and call your service representative.

ANR7820W (Windows NT)

Insufficient Space Available for file *file name*.

Explanation: The server was attempting to create a file with the indicated name. There was insufficient space for the file on the disk.

System Action: Server processing continues. The file creation request fails.

User Response: Specify a file name on a drive with sufficient space or change the space request to a value consistent with the drive.

ANR7821E (AIX) Error reading from standard input.

Explanation: An error occurs during an attempt to read from standard input.

System Action: The console input thread is terminated.

User Response: Correct the standard input problem and restart the server.

ANR7821I (HP-UX)

Server thread *thread ID* terminated in response to external signal.

Explanation: The thread has ended due to an external signal.

System Action: The server completes termination processing.

User Response: None.

ANR7821I (Solaris)

Server thread *thread ID* terminated in response to external signal.

Explanation: The thread has ended due to an external signal.

System Action: The server completes termination processing.

User Response: None.

ANR7821W (Windows NT)

Unable to create directory when creating volume *file name*.

Explanation: The server was attempting to create a file with the indicated name. A new directory was being created as well, but its creation failed.

System Action: Server processing continues. The file creation request fails.

User Response: Specify a file name in an existing directory or change the name request to specify a different directory name.

ANR7822E (AIX) Error creating console input thread.

Explanation: Unable to start console input thread.

System Action: Server operation stops.

User Response: See other issued messages.

ANR7822I (HP-UX)

Server thread *thread ID* **terminated in response to server shutdown.**

Explanation: The thread has ended due to a server shutdown.

System Action: The server completes termination processing.

User Response: None.

ANR7822I (Solaris)

Server thread *thread ID* **terminated in response to server shutdown.**

Explanation: The thread has ended due to a server shutdown.

System Action: The server completes termination processing.

User Response: None.

ANR7822W (Windows NT)

File Already exists when creating volume *file name*.

Explanation: The server was attempting to create a file with the indicated name. The file already exists.

System Action: Server processing continues. The file creation request fails.

User Response: Specify a new file name. The server will not use an existing file name when creating a file.

ANR7823E (AIX) Insufficient memory for console initialization.

Explanation: Unable to allocate enough memory for console initialization.

System Action: Server operation stops.

User Response: Ensure that sufficient paging space is available for AIX. You may also use SMIT to determine if the number of applications is causing a memory shortage. It may be necessary to decrease the maximum number of client sessions by changing the MAXSESSIONS option in the server options file.

ANR7823W (Windows NT)

Unable to create file *file name*.

Explanation: The server was attempting to create a file with the indicated name. The system reported an error in creating the file.

System Action: The server continues processing. The file creation request fails.

User Response: Specify a new file name.

ANR7824S (HP-UX)

Server operation terminated.

Explanation: An error occurs that causes server operation to stop.

System Action: Server operation stops.

User Response: Contact your service representative.

ANR7824S (Solaris)

Server operation terminated.

Explanation: An error occurs that causes server operation to stop.

System Action: Server operation stops.

User Response: Contact your service representative.

ANR7824W (Windows NT)

Unable to write volume *file name*.

Explanation: The server was attempting to create a file with the indicated name. The server was able to partially write to the file before running out of space.

System Action: The server continues processing. The file creation request fails. The file is still present on the system.

User Response: Specify a new file name where there is sufficient space.

ANR7825E (Solaris)

Server unable to allocate a shared memory segment of size *Client requested shared memory size*.

Explanation: A shared memory client has requested a shared memory segment size that Solaris is unable to fulfill.

System Action: Client is not allowed to logon

User Response: See the shared memory tuning guide for Solaris (a Sun document). You may need to increase the number/size of shared memory segments and/or message queues.

ANR7825W (Windows NT)

Unable to create volume *file name*. Return code=*return code*.

Explanation: The server was attempting to create a file with the indicated name. The attempt failed with the indicated return code. The return code is an internal code from the server.

System Action: The server continues processing. The file creation request fails.

User Response: Specify a new file name. The return code may also be provided to your service representative for interpretation.

ANR7826W (Windows NT)

Creation of Volume file name failed. Process was cancelled.

Explanation: The server was attempting to create a file with the indicated name. The attempt was cancelled by a cancel process command.

System Action: The server continues processing. The file creation request fails.

User Response: The DEFINE command may be re-entered.

ANR7830E (Solaris)

Invalid RAW Partition Name: A valid raw partition name is in the form of /dev/.../rdsk/.../* , where ... means 0 or more directories.

Explanation: Use the proper format for specifying a Raw partition. The ... means zero or more directories.

System Action: Inform the user to use the right RAW partition specification.

User Response: Have user reenter the RAW partition with the proper partition name.

ANR7831E (Solaris)

raw partition name has an existing filesystem.

Explanation: The RAW partition specified has an existing Solaris file system on it. Writing to this Partition may/and most likely will destroy this filesystem.

System Action: Warn the user that an existing filesystem for the raw partition specified may be destroyed if written to.

User Response: Determine if user still wants the valid filesystem data. If not, user needs to destroy the filesystem by either formatting the partition, create a program to destroy the filesystem header information so that the server will not be able to detect the filesystem header information, or rearrange the starting and ending blocks of a partition by using the Solaris format() command. The user can read the format() function in the Sun manuals for further details on filesystems.

ANR7832I (AIX) The thread process ID terminated with exit code program exit code.

Explanation: The process has ended with the indicated exit code. This error is due to the problem caused and indicated by a preceding message.

System Action: The server completes termination processing.

User Response: None.

ANR7832E (Solaris)

raw partition name **corresponds to a protected filesystem, such as / or /usr.**

Explanation: The RAW partition specified has an existing file system on it. This filesystem is the / or /usr partition. If the SERVER writes to it, it will most likely crash the whole operating system.

System Action: Disallow access to this raw partition.

User Response: Have user specify another RAW partition that is not the / or /usr. It may be possible that this is not the actual / or /usr partition of the boot disk. Check, using the Solaris format() command, if your partition name tag is labeled incorrectly as / or /usr.

ANR7833S (AIX) The process *thread ID* terminated in response to program abort.

Explanation: The thread has ended due to a program abort.

System Action: The server completes termination processing.

User Response: None.

ANR7833E (Solaris)

symbolic links **has too many symbolic links - the server only supports a maximum of 10.**

Explanation: The file specified has too many symbolic links. The server will follow at most 10 links before ending this symbolic link name resolution.

System Action: Disallow access to this file

User Response: Have the user specify the actual file, where the file is not a symbolic link. Using ls -l, one can see if the file is a symbolic link.

ANR7834I (AIX) The thread *thread ID* terminated in response to external signal.

Explanation: The thread has ended due to an external signal.

System Action: The server completes termination processing.

User Response: None.

ANR7834E (Solaris)

Specified raw partition name **raw partition cannot contain the 0th disk cylinder.**

Explanation: The raw partition specified has the 0th disk cylinder. The server should not be allowed to write into the 0th cylinder. If allowed, the disk label would be corrupted.

System Action: Disallow access to this raw partition

User Response: Have the system administrator change the starting cylinder of this partition to a number greater than 0.

ANR7834I (Windows NT)

The server thread *thread ID (tid Windows NT thread ID)* terminated in response to external signal.

Explanation: The thread has terminated due to an external signal.

System Action: The server completes termination processing.

User Response: None.

ANR7835I (AIX) The server thread *thread ID* terminated in response to server shutdown.

Explanation: The thread has ended due to a server shutdown.

System Action: The server completes termination processing.

User Response: None.

ANR7835E (Solaris)

Specified raw partition name **raw partition is too big for this operating system to handle.**

Explanation: The raw partition specified has greater than 2GB and the operating system is running below Solaris 2.6. Operating system below Solaris 2.6 cannot handle files natively more than 2GB. For operating system that is at Solaris 2.6 or above, the limit is 1TB.

System Action: Disallow access to this raw partition

User Response: Have the system administrator change the RAW partition size to be less than 2GB (4194303 512-byte disk blocks) for Solaris 2.5.1 or below, less than 1TB (2147483647 512-byte disk blocks) for Solaris 2.6 and above.

ANR7835I (Windows NT)

The server thread *thread ID (tid Windows NT thread ID)* terminated in response to server shutdown.

Explanation: The thread has terminated due to a server shutdown.

System Action: The server completes termination processing.

User Response: None.

ANR7836S (AIX) Server initialization terminated.

Explanation: An error occurs that causes server initialization to end.

System Action: Server operation stops.

User Response: Contact your service representative.

ANR7838S (AIX) Server operation terminated.

Explanation: An error occurs that causes server operation to stop.

System Action: Server operation stops.

User Response: Contact your service representative.

ANR7839E (AS/400)

Unable to open file *filespec*.

Explanation: An error occurs while the server tries to open the specified file.

System Action: Server processing continues.

User Response: Check job logs and previously issued messages for additional information regarding the error.

ANR7840E (AS/400)

Error reading from file *filespec*.

Explanation: An error occurs while the server is trying to read from the specified file.

System Action: Server processing continues.

User Response: Check job logs and previously issued messages for additional information regarding the error.

ANR7841S (AIX) Insufficient kernel memory available.

Explanation: An error occurs due to insufficient kernel memory.

System Action: Server operation stops.

User Response: Contact your service representative.

ANR7841E (AS/400)

Error positioning file *filespec*.

Explanation: An error occurs while the server is trying to locate a record in the specified file.

System Action: Server processing continues.

User Response: Check job logs and previously issued messages for additional information regarding the error.

ANR7842S (AIX) Monitor kernel extension not initialized.

Explanation: The monitor kernel extension is not initialized.

System Action: Server operation stops.

User Response: Contact your service representative.

ANR7842E (AS/400)

Error writing to file *filespec*.

Explanation: An error occurs while the server is trying to write to the specified file.

System Action: Server processing continues.

User Response: Check job logs and previously issued messages for additional information regarding the error.

ANR7843W (AIX)

Unable to determine real memory size.

Explanation: The server checks the amount of real memory in the system to optimize use of storage in the database buffer pool. The server uses Object Data Manager (ODM) to determine how much real memory is installed on the system. The routines used to call ODM failed or were unable to return the real memory size.

System Action: Server operation continues. The server allows the data base buffer pool size to grow without taking into account real memory.

User Response: The server may need to run as a root user to obtain this information.

ANR7843W (AS/400)

Receiver records will be truncated.

Explanation: The receiver file records will be truncated because the file record length is smaller than expected.

System Action: Server processing continues.

User Response: None.

ANR7843W (HP-UX)

Unable to determine real memory size.

Explanation: The server checks the amount of real memory in the system to optimize use of storage in the database buffer pool. The routines used to obtain this information returned a failing return code or were unable to return the real memory size.

System Action: Server operation continues. The server allows the data base buffer pool size to grow without taking into account real memory.

User Response: The server may need to run as a root user to obtain this information.

ANR7843W (Solaris)

Unable to determine real memory size.

Explanation: The server checks the amount of real memory in the system to optimize use of storage in the database buffer pool. The routines used to obtain this information returned a failing return code or were unable to return the real memory size.

System Action: Server operation continues. The server allows the data base buffer pool size to grow without taking into account real memory.

User Response: The server may need to run as a root user to obtain this information.

ANR7843W (Windows NT)

Unable to determine real memory size.

Explanation: The server checks the amount of real memory in the system to optimize use of storage in the database buffer pool. The routines used to obtain this information returned a failing return code or were unable to return the real memory size.

System Action: Server operation continues. The server allows the data base buffer pool size to grow without taking into account real memory.

User Response: The server may need to run as a root user to obtain this information.

ANR7844W (AS/400)

Expected receiver file size *recordLength* but found size *recordLength*.

Explanation: The receiver file records will be truncated because the file record length is smaller than expected.

System Action: Server processing continues.

User Response: None.

ANR7849I (AIX) Server operation terminated - kernel extension has been reset.

Explanation: The kernel extension has been reinitialized by the server in response to a previous condition for which a message has been issued.

System Action: Server operation stops.

User Response: None.

ANR7850I (AIX) The process *process ID* has terminated on signal *signal number (signal name)*.

Explanation: The specified process has ended due to the specified signal.

System Action: Server operation stops.

User Response: Contact your service representative.

ANR7851S (AIX) Error resetting handler for signal *signal number (signal name)*.

Explanation: An error occurs resetting the specified signal handler.

System Action: Server operation stops.

User Response: Contact your service representative.

ANR7852I (Windows NT)

The current process affinity mask is: 0x*The process affinity mask*.

Explanation: The server is running on the processors indicated by the mask.

System Action: Server operation continues.

User Response: None.

ANR7853W (Windows NT)

Could not obtain the current process affinity mask. Reason: *NT return code*.

Explanation: A problem was encountered while obtaining the current process affinity.

System Action: Server operation continues.

User Response: None.

ANR7854W (Windows NT)

The process affinity mask (0xAffinity mask.) specified in dmserv.opt is out of range.

Explanation: The affinity mask value was out of range.

System Action: Server operation continues.

User Response: None.

ANR7855W (Windows NT)

Could not set new process affinity mask. Reason: NT return code.

Explanation: A problem was encountered in setting a new process affinity mask.

System Action: Server operation continues.

User Response: None.

ANR7856W (Windows NT)

The affinity mask (0xNT return code.) was set to a value other than what was requested

Explanation: A new affinity mask was set but on verification it was found not to match what was requested.

System Action: Server operation continues.

User Response: None.

ANR7860W (AIX)

Insufficient Space Available for file *file name*.

Explanation: The server was attempting to create a file with the indicated name. There was insufficient space for the file in the filesystem.

System Action: The server continues processing. The file creation request fails.

User Response: Specify a file name in a filesystem with sufficient space or change the space request to a value consistent with the filesystem.

ANR7860W (AS/400)

Insufficient Space Available for file *file name*.

Explanation: ADSM was attempting to create a file with the indicated name. There was insufficient space for the file in the filesystem.

System Action: ADSM continues processing. The file creation request fails.

User Response: Specify a file name in a filesystem with sufficient space or change the space request to a value consistent with the filesystem.

ANR7860W (HP-UX)

Insufficient Space Available for file *file name*.

Explanation: The server was attempting to create a file with the indicated name. There was insufficient space for the file in the filesystem.

System Action: The server continues processing. The file creation request fails.

User Response: Specify a file name in a filesystem with sufficient space or change the space request to a value consistent with the filesystem.

ANR7860W (Solaris)

Insufficient Space Available for file *file name*.

Explanation: The server was attempting to create a file with the indicated name. There was insufficient space for the file in the filesystem.

System Action: The server continues processing. The file creation request fails.

User Response: Specify a file name in a filesystem with sufficient space or change the space request to a value consistent with the filesystem.

ANR7861W (AIX)

Unable to create directory when creating volume *file name*.

Explanation: The server was attempting to create a file with the indicated name. A new directory was being created as well, but its creation failed.

System Action: The server continues processing. The file creation request fails.

User Response: Specify a file name in an existing directory or or change the name request to specify a different directory name.

ANR7861W (AS/400)

Unable to create directory when creating volume *file name*.

Explanation: ADSM was attempting to create a file with the indicated name. A new directory was being created as well, but its creation failed.

System Action: ADSM continues processing. The file creation request fails.

User Response: Specify a file name in an existing directory or or change the name request to specify a different directory name.

ANR7861W (HP-UX)

Unable to create directory when creating volume *file name*.

Explanation: The server was attempting to create a file with the indicated name. A new directory was being created as well, but its creation failed.

System Action: The server continues processing. The file creation request fails.

User Response: Specify a file name in an existing directory or or change the name request to specify a different directory name.

ANR7861W (Solaris)

Unable to create directory when creating volume *file name*.

Explanation: The server was attempting to create a file with the indicated name. A new directory was being created as well, but its creation failed.

System Action: The server continues processing. The file creation request fails.

User Response: Specify a file name in an existing directory or or change the name request to specify a different directory name.

ANR7862W (AIX)

File Already exists when creating volume *file name*.

Explanation: The server was attempting to create a file with the indicated name. The file already exists.

System Action: The server continues processing. The file creation request fails.

User Response: Specify a new file name. The server will not use an existing file name when creating a file.

ANR7862W (AS/400)

File Already exists when creating volume *file name*.

Explanation: ADSM was attempting to create a file with the indicated name. The file already exists.

System Action: ADSM continues processing. The file creation request fails.

User Response: Specify a new file name. ADSM will not use an existing file name when creating a file.

ANR7862W (HP-UX)

File Already exists when creating volume *file name*.

Explanation: The server was attempting to create a file with the indicated name. The file already exists.

System Action: The server continues processing. The file creation request fails.

User Response: Specify a new file name. The server will not use an existing file name when creating a file.

ANR7862W (Solaris)

File Already exists when creating volume *file name*.

Explanation: The server was attempting to create a file with the indicated name. The file already exists.

System Action: The server continues processing. The file creation request fails.

User Response: Specify a new file name. The server will not use an existing file name when creating a file.

ANR7863W (AIX)

Unable to create file *file name*.

Explanation: The server was attempting to create a file with the indicated name. The system reported an error in creating the file.

System Action: The server continues processing. The file creation request fails.

User Response: Specify a new file name.

ANR7863W (AS/400)

Unable to create file *file name*.

Explanation: ADSM was attempting to create a file with the indicated name. The system reported an error in creating the file.

System Action: ADSM continues processing. The file creation request fails.

User Response: Specify a new file name.

ANR7863W (HP-UX)

Unable to create file *file name*.

Explanation: The server was attempting to create a file with the indicated name. The system reported an error in creating the file.

System Action: The server continues processing. The file creation request fails.

User Response: Specify a new file name.

ANR7863W (Solaris)

Unable to create file *file name*.

Explanation: The server was attempting to create a file with the indicated name. The system reported an error in creating the file.

System Action: The server continues processing. The file creation request fails.

User Response: Specify a new file name.

ANR7864W (AIX)

Unable to write volume *file name*.

Explanation: The server was attempting to create a file with the indicated name. The server was able to partially write to the file before running out of space.

System Action: The server continues processing. The file creation request fails. The file is still present on the system.

User Response: Specify a new file name where there is sufficient space.

ANR7864W (AS/400)

Unable to write volume *file name*.

Explanation: ADSM was attempting to create a file with the indicated name. ADSM was able to partially write to the file before running out of space.

System Action: ADSM continues processing. The file creation request fails. The file is still present on the system.

User Response: Specify a new file name where there is sufficient space.

ANR7864W (HP-UX)

Unable to write volume *file name*.

Explanation: The server was attempting to create a file with the indicated name. The server was able to partially write to the file before running out of space.

System Action: The server continues processing. The file creation request fails. The file is still present on the system.

User Response: Specify a new file name where there is sufficient space.

ANR7864W (Solaris)

Unable to write volume *file name*.

Explanation: The server was attempting to create a file with the indicated name. The server was able to partially write to the file before running out of space.

System Action: The server continues processing. The file creation request fails. The file is still present on the system.

User Response: Specify a new file name where there is sufficient space.

ANR7865W (AIX)

Unable to create volume *file name*. Return code=*return code*.

Explanation: The server was attempting to create a file with the indicated name. The attempt failed with the indicated return code. The return code is an the server internal code.

System Action: The server continues processing. The file creation request fails.

User Response: Specify a new file name. The return code may also be provided to your service representative for interpretation.

ANR7865W (AS/400)

Unable to create volume *file name*. Return code=*return code*.

Explanation: ADSM was attempting to create a file with the indicated name. The attempt failed with the indicated return code. The return code is an ADSM internal code.

System Action: ADSM continues processing. The file creation request fails.

User Response: Specify a new file name. The return code may also be provided to IBM service for interpretation.

ANR7865W (HP-UX)

Unable to create volume *file name*. Return code=*return code*.

Explanation: The server was attempting to create a file with the indicated name. The attempt failed with the indicated return code. The return code is a server internal code.

System Action: The server continues processing. The file creation request fails.

User Response: Specify a new file name. The return code may also be provided to your service representative for interpretation.

ANR7865W (Solaris)

Unable to create volume *file name*. Return code=*return code*.

Explanation: The server was attempting to create a file with the indicated name. The attempt failed with the indicated return code. The return code is a server internal code.

System Action: The server continues processing. The file creation request fails.

User Response: Specify a new file name. The return code may also be provided to your service representative for interpretation.

ANR7866W (AIX)

Creation of Volume *file name* failed. Process was cancelled.

Explanation: The server was attempting to create a file with the indicated name. The attempt was cancelled by a cancel process command.

System Action: The server continues processing. The file creation request fails.

User Response: The DEFINE command may be re-entered.

ANR7866W (AS/400)

Creation of Volume *file name* failed. Process was cancelled.

Explanation: ADSM was attempting to create a file with the indicated name. The attempt was cancelled by a cancel process command.

System Action: ADSM continues processing. The file creation request fails.

User Response: The DEFINE command may be re-entered.

ANR7866W (HP-UX)

Creation of Volume *file name* failed. Process was cancelled.

Explanation: The server was attempting to create a file with the indicated name. The attempt was cancelled by a cancel process command.

System Action: The server continues processing. The file creation request fails.

User Response: The DEFINE command may be re-entered.

ANR7866W (Solaris)

Creation of Volume *file name* failed. Process was cancelled.

Explanation: The server was attempting to create a file with the indicated name. The attempt was cancelled by a cancel process command.

System Action: The server continues processing. The file creation request fails.

User Response: The DEFINE command may be re-entered.

ANR7867W (AS/400)

Size of file *file name* exceeds maximum.

Explanation: ADSM was attempting to create a file with the indicated name. The size of the file exceeded the maximum allowed in the filesystem.

System Action: ADSM continues processing. The file creation request fails.

User Response: Specify a file size that is less than or equal to 2047MB.

ANR7870W (AIX)

Unable to initialize odm query. Error message from odm is *odm message*.

Explanation: The server uses the AIX Object Data Manager (ODM) to check information about AIX. For example, the server uses ODM to determine how much real memory is installed on the system. The routine used to initialize an ODM query failed. ODM returned an error message as indicated.

System Action: Server operation continues. The server makes assumptions concerning information it could not obtain.

User Response: The server may need to run as a root user to obtain this information.

ANR7871W (AIX)

Unable to complete odm query. Error message from odm is *odm message*.

Explanation: The server uses the AIX Object Data Manager (ODM) to check information about AIX. For example, the server uses ODM to determine how much real memory is installed on the system. The routine used to perform and ODM query failed. ODM returned an error message as indicated.

System Action: Server operation continues. The server makes assumptions concerning information it could not obtain.

User Response: The server may need to run as a root user to obtain this information.

ANR8190I (AIX) HTTP driver ready for connection with clients on port *port number*.

Explanation: The server is now able to accept sessions with clients that use the HTTP protocol on the indicated port number.

System Action: Server operation continues.

User Response: None.

ANR8190I (HP-UX)

HTTP driver ready for connection with clients on port *port number*.

Explanation: The server is now able to accept sessions with clients that use the HTTP protocol on the indicated port number.

System Action: Server operation continues.

User Response: None.

ANR8190I (Solaris)

HTTP driver ready for connection with clients on port *port number*.

Explanation: The server is now able to accept sessions with clients that use the HTTP protocol on the indicated port number.

System Action: Server operation continues.

User Response: None.

ANR8191W (AIX)

HTTP driver unable to initialize due to error in BINDing to Port *port*, reason code *reason code*.

Explanation: While initializing HTTP communications, the server has failed to connect to a master TCP/IP socket on which to listen for clients. The reason code is the return code from the TCP/IP bind API.

System Action: Server operation continues, but the server cannot accept sessions from administrative clients using HTTP protocol.

User Response: Ensure that no other application is using the port number specified in the server options file with the PORT option. If TCP/IP is also in use for client sessions, ensure that the same port number is not specified for both TCP/IP and HTTP communications. This may be done by issuing the TCP/IP netstat -s command. If the server is brought down and then started immediately, you may be within the TCP/IP one minute timeout period for port reusage. Bring down the server, wait one minute, and then restart the server. If that does not work, it may be necessary to restart Windows NT.

ANR8191W (HP-UX)

HTTP driver unable to initialize due to error in BINDing to Port *port*, reason code *reason code*.

Explanation: While initializing HTTP communications, the server has failed to connect to a master TCP/IP socket on which to listen for clients. The reason code is the return code from the TCP/IP bind API.

System Action: Server operation continues, but the server cannot accept sessions from administrative clients using HTTP protocol.

User Response: Ensure that no other application is using the port number specified in the server options file with the PORT option. If TCP/IP is also in use for client sessions, ensure that the same port number is not specified for both TCP/IP and HTTP communications. This may be done by issuing the TCP/IP netstat -s command. If the server is brought down and then started immediately, you may

be within the TCP/IP one minute timeout period for port reuse. Bring down the sever, wait one minute, and then restart the server. If that does not work, it may be necessary to restart HP-UX.

ANR8191W (Solaris)

HTTP driver unable to initialize due to error in BINDing to Port *port*, reason code *reason code*.

Explanation: While initializing HTTP communications, the server has failed to connect to a master TCP/IP socket on which to listen for clients. The reason code is the return code from the TCP/IP bind API.

System Action: Server operation continues, but the server cannot accept sessions from administrative clients using HTTP protocol.

User Response: Ensure that no other application is using the port number specified in the server options file with the PORT option. If TCP/IP is also in use for client sessions, ensure that the same port number is not specified for both TCP/IP and HTTP communications. This may be done by issuing the TCP/IP netstat -s command. If the server is brought down and then started immediately, you may be within the TCP/IP one minute timeout period for port reuse. Bring down the sever, wait one minute, and then restart the server.

ANR8192I (AIX) HTTPS driver ready for connection with clients on port *port number*.

Explanation: The server is now able to accept sessions with clients that use the HTTPS protocol on the indicated port number.

System Action: Server operation continues.

User Response: None.

ANR8192I (HP-UX)

HTTPS driver ready for connection with clients on port *port number*.

Explanation: The server is now able to accept sessions with clients that use the HTTPS protocol on the indicated port number.

System Action: Server operation continues.

User Response: None.

ANR8192I (Solaris)

HTTPS driver ready for connection with clients on port *port number*.

Explanation: The server is now able to accept sessions with clients that use the HTTPS protocol on the indicated port number.

System Action: Server operation continues.

User Response: None.

ANR8193W (AIX)

HTTPS driver unable to initialize due to error in BINDing to Port *port*, reason code *reason code*.

Explanation: While initializing HTTPS communications, the server has failed to connect to a master TCP/IP socket on which to listen for clients. The reason code is the return code from the TCP/IP bind API.

System Action: Server operation continues, but the server cannot accept sessions from administrative clients using HTTPS protocol.

User Response: Ensure that no other application is using the port number specified in the server options file with the PORT option. If TCP/IP is also in use for client sessions, ensure that the same port number is not specified for both TCP/IP and HTTPS communications. This may be done by issuing the TCP/IP netstat -s command. If the server is brought down and then started immediately, you may be within the TCP/IP one minute timeout period for port reuse. Bring down the server, wait one minute, and then restart the server.

ANR8193W (HP-UX)

HTTPS driver unable to initialize due to error in BINDing to Port *port*, reason code *reason code*.

Explanation: While initializing HTTPS communications, the server has failed to connect to a master TCP/IP socket on which to listen for clients. The reason code is the return code from the TCP/IP bind API.

System Action: Server operation continues, but the server cannot accept sessions from administrative clients using HTTPS protocol.

User Response: Ensure that no other application is using the port number specified in the server options file with the PORT option. If TCP/IP is also in use for client sessions, ensure that the same port number is not specified for both TCP/IP and HTTPS communications. This may be done by issuing the TCP/IP netstat -s command. If the server is brought down and then started immediately, you may be within the TCP/IP one minute timeout period for port reuse. Bring down the sever, wait one minute, and then restart the server. If that does not work, it may be necessary to restart HP-UX.

ANR8193W (Solaris)

HTTPS driver unable to initialize due to error in BINDing to Port *port*, reason code *reason code*.

Explanation: While initializing HTTPS communications, the server has failed to connect to a master TCP/IP socket on which to listen for clients. The reason code is the return code from the TCP/IP bind API.

System Action: Server operation continues, but the server cannot accept sessions from administrative clients using HTTPS protocol.

User Response: Ensure that no other application is using the port number specified in the server options file with the PORT option. If TCP/IP is also in use for client sessions, ensure that the same port number is not specified for both TCP/IP and HTTPS communications. This may be done by issuing the TCP/IP netstat -s command. If the server is brought down and then started immediately, you may be within the TCP/IP one minute timeout period for port reusage. Bring down the sever, wait one minute, and then restart the server. If that does not work, it may be necessary to restart Solaris

ANR8194W (HP-UX)

HTTPS driver unable to initialize due to error in secure data initialization, reason code *reason code*.

Explanation: While initializing HTTPS communications, the server has failed initialize of the secure data certificate information.

System Action: Server operation continues, but the server cannot accept sessions from administrative clients using HTTPS protocol.

User Response: Ensure the keyring file name and keyring file password are correct and that the password has not expired. Check for earlier SKIT messages which may indicate the real problem. Replace keyring if necessary and re-start the server.

ANR8200I (AIX) TCP/IP driver ready for connection with clients on port *port number*.

Explanation: The server is now able to accept sessions with clients that use the TCP/IP protocol on the indicated port number.

System Action: Server operation continues.

User Response: None.

ANR8200I (AS/400)

TCP/IP driver is ready for connection with clients on port *port number*.

Explanation: The ADSM server can accept sessions with clients using the TCP/IP communication protocol on the indicated port number.

System Action: Server operation continues.

User Response: None.

ANR8200I (HP-UX)

TCP/IP driver ready for connection with clients on port *port number*.

Explanation: The server is now able to accept sessions with clients using the TCP/IP protocol on the indicated port number.

System Action: Server operation continues.

User Response: None.

ANR8200I (Solaris)

TCP/IP driver ready for connection with clients on port *port number*.

Explanation: The server is now able to accept sessions with clients using the TCP/IP protocol on the indicated port number.

System Action: Server operation continues.

User Response: None.

ANR8200I (Windows NT)

TCP/IP driver ready for connection with clients on port *port number*.

Explanation: The server can now accept sessions with clients using the TCP/IP protocol on the indicated port number.

System Action: Server operation continues.

User Response: None.

ANR8201W (AIX)

Unable to initialize TCP/IP driver - insufficient memory.

Explanation: Because the operating system rejects a memory allocation request, the server cannot start communications through TCP/IP.

System Action: Server operation continues, but the server cannot accept sessions from clients using the TCP/IP protocol.

User Response: Ensure that sufficient paging space is available for AIX. You may also use SMIT to determine if the number of applications is causing a memory shortage. It may be necessary to decrease the maximum number of client sessions by changing the MAXSESSIONS option in the server options file.

ANR8201W (AS/400)

Unable to initialize TCP/IP driver - insufficient memory.

Explanation: The ADSM server cannot communicate by way of TCP/IP. A memory allocation request has been rejected by the operating system.

System Action: Server operation continues, but the server cannot accept sessions from clients using the TCP/IP communication protocol.

User Response: Contact your service representative.

ANR8201E (HP-UX)

Unable to initialize TCP/IP driver - socket creation failed; error *error code*.

Explanation: The server is unable to initialize the TCP/IP driver due to a socket creation error.

System Action: Server operation continues, but TCP/IP support is inoperative.

User Response: Ensure that TCP/IP is operational on your system by using the ping command with your TCP/IP address as a target. If TCP/IP is not active on your system, you must activate it; then halt and restart the server.

ANR8201E (Solaris)

Unable to initialize TCP/IP driver - socket creation failed; error *error code*.

Explanation: The server is unable to initialize the TCP/IP driver due to a socket creation error.

System Action: Server operation continues, but TCP/IP support is inoperative.

User Response: Ensure that TCP/IP is operational on your system by using the ping command with your TCP/IP address as a target. If TCP/IP is not active on your system, you must activate it; then halt and restart the server.

ANR8201W (Windows NT)

Unable to initialize TCP/IP driver - insufficient memory.

Explanation: The server is unable to communicate by way of TCP/IP. A memory allocation request has been rejected by the operating system.

System Action: Server operation continues, but the server cannot accept sessions from clients using the TCP/IP protocol.

User Response: Ensure that there is sufficient space for the Windows NT paging file. Click on the system icon in the Windows NT control panel and then click on the virtual memory button. Refer to the online help for instructions on how to increase the amount of virtual memory.

ANR8202W (AIX)

Unable to initialize TCP/IP driver - error creating acceptor socket. Reason code *reason code.*

Explanation: Because TCP/IP rejects a request for a socket on which to listen, the server cannot start communications through TCP/IP.

System Action: Server operation continues, but the server cannot accept sessions from clients using the TCP/IP protocol.

User Response: Ensure that TCP/IP is operational on your system by using the ping command with your TCP/IP address as a target. If TCP/IP is not started, use the HALT command from a server prompt to stop the server and restart it.

ANR8202W (AS/400)

Unable to initialize TCP/IP driver - error creating acceptor socket.

Explanation: The ADSM server cannot communicate by way of TCP/IP. TCP/IP has rejected a request for a socket on which the server listens.

System Action: Server operation continues, but the server cannot accept sessions from clients using the TCP/IP communication protocol.

User Response: Ensure that TCP/IP is operational on your system by using the ping command with your TCP/IP address as a target. If TCP/IP is not started, issue the ADSM HALT command to stop the server, and then restart the server.

ANR8202E (HP-UX)

Unable to initialize TCP/IP driver - socket bind operation for port *TCP port number* failed; error *error code*.

Explanation: The server is unable to initialize the TCP/IP driver due to a socket binding error.

System Action: Server operation continues, but TCP/IP support is inoperative.

User Response: Ensure that TCP/IP is operational on your system by using the ping command with your TCP/IP address as a target. If TCP/IP is not active on your system, you must activate it; then halt and restart the server. This message may also result from more than one server running on the same machine with the same TCP/IP port number. Make sure that the dsmserv.opt file TCPPort option is different for each server.

ANR8202E (Solaris)

Unable to initialize TCP/IP driver - socket bind operation for port *TCP port number* failed; error *error code*.

Explanation: The server is unable to initialize the TCP/IP driver due to a socket binding error.

System Action: Server operation continues, but TCP/IP support is inoperative.

User Response: Ensure that TCP/IP is operational on your system by using the ping command with your TCP/IP address as a target. If TCP/IP is not active on your system, you must activate it; then halt and restart the server. This message may also result from more than one server running on the same machine with the same TCP/IP port number. Make sure that the dsmserv.opt file TCPPort option is different for each server.

ANR8202W (Windows NT)

Unable to initialize TCP/IP driver - error creating acceptor socket.

Explanation: The server is unable to communicate by way of TCP/IP. TCP/IP has rejected a request for a socket on which the server listens.

System Action: Server operation continues, but the server cannot accept sessions from clients using the TCP/IP protocol.

User Response: Ensure that TCP/IP is operational on your system by using the ping command with your TCP/IP address as a target. If TCP/IP is not started, issue the HALT command to stop the server, and then restart the server.

ANR8203W (AIX)

Unable to establish TCP connection - accept error.

Explanation: The server cannot accept a client session due to a failure in TCP/IP.

System Action: Server operation continues, but the server cannot accept sessions from clients using the TCP/IP protocol.

User Response: Ensure that TCP/IP is operational on your system by using the ping command with your TCP/IP address as a target. If TCP/IP is not started, use the HALT command from a server prompt to terminate the server and restart it.

ANR8203W (AS/400)

TCP has run out of buffer space - server will retry when buffer space is available.

Explanation: The ADSM server cannot send data to clients because no buffer space is available in TCP/IP data buffer.

System Action: Server operation continues. The server continues to communicate with clients but performance is degraded.

User Response: Ensure that not too many TCP/IP sessions are running at the same time. Increasing TCP/IP data buffers can alleviate the problem.

ANR8203E (HP-UX)

Unable to initialize TCP/IP driver - listen operation failed; error *error code*.

Explanation: The server is unable to initialize the TCP/IP driver due to a socket listen error.

System Action: Server operation continues, but TCP/IP support is inoperative.

User Response: Ensure that TCP/IP is operational on your system by using the ping command with your TCP/IP address as a target. If TCP/IP is not active on your system, you must activate it; then halt and restart the server.

ANR8203E (Solaris)

Unable to initialize TCP/IP driver - listen operation failed; error *error code*.

Explanation: The server is unable to initialize the TCP/IP driver due to a socket listen error.

System Action: Server operation continues, but TCP/IP support is inoperative.

User Response: Ensure that TCP/IP is operational on your system by using the ping command with your TCP/IP address as a target. If TCP/IP is not active on your system, you must activate it; then halt and restart the server.

ANR8203W (Windows NT)

Unable to establish TCP connection - accept error.

Explanation: The server cannot accept a client session due to failure in TCP/IP.

System Action: Server operation continues, but the server cannot accept sessions from clients using the TCP/IP protocol.

User Response: Ensure that TCP/IP is operational on your system by using the ping command with your TCP/IP address as a target. If TCP/IP is not started, issue the HALT command to stop the server, and then restart the server.

ANR8204W (AIX)

Unable to establish TCP connection - insufficient memory.

Explanation: The server cannot accept a client session due to a memory allocation request failure.

System Action: Server operation continues, but the session request for this session fails.

User Response: Ensure that sufficient paging space is available for AIX. You may also use SMIT to determine if the number of applications is causing a memory shortage. You may also decrease the maximum number of sessions that the server can accept with the MAXSESSIONS option in the server options file.

ANR8204W (AS/400)

Unable to establish TCP connection - insufficient memory.

Explanation: The ADSM server cannot accept a client session due to a memory allocation request failure.

System Action: Server operation continues, but the session request for this session fails.

User Response: Contact your service representative.

ANR8204E (HP-UX)

Unable to initialize TCP/IP driver - thread creation failed.

Explanation: The server is unable to initialize the TCP/IP driver due to an error creating a server thread.

System Action: Server operation continues, but TCP/IP support is inoperative.

User Response: This error often results from a lack of memory. Ensure that your system has sufficient paging space to support the current activities.

ANR8204E (Solaris)

Unable to initialize TCP/IP driver - thread creation failed.

Explanation: The server is unable to initialize the TCP/IP driver due to an error creating a server thread.

System Action: Server operation continues, but TCP/IP support is inoperative.

User Response: This error often results from a lack of memory. Ensure that your system has sufficient paging space to support the current activities.

ANR8204W (Windows NT)

Unable to establish TCP connection - insufficient memory.

Explanation: The server is unable to accept a client session due to a memory allocation request failure.

System Action: Server operation continues, but the session request for this session fails.

User Response: Ensure that there is sufficient space for the Windows NT paging file. Click on the system icon in the Windows NT control panel and then click on the virtual memory button. Refer to the online help for instructions on how to increase the amount of virtual memory. You may also wish to cut down on the maximum number of sessions that the server can accept with the MAXSESSIONS option in the server options file.

ANR8205W (AIX)

Unable to establish TCP connection - server HALT in progress.

Explanation: The server cannot accept a client session due to server HALT processing that is in progress.

System Action: Server operation continues, but the session request for this session fails.

User Response: None.

ANR8205W (AS/400)

Unable to initialize TCP/IP driver - no TCP/IP service.

Explanation: The ADSM server cannot communicate by way of TCP/IP. No TCP/IP service exists.

System Action: Server operation continues, but the server cannot accept sessions from clients using the TCP/IP communication protocol.

User Response: Ensure that TCP/IP is properly installed on your system, and has been started on your system. Issue the TCP/IP ping command to your own address to verify that TCP/IP is installed and active.

ANR8205E (HP-UX)

Terminating TCP/IP driver - accept operation failed; error *error code*.

Explanation: The server is unable to initialize the TCP/IP driver due to a socket accept error.

System Action: Server operation continues, but TCP/IP support is inoperative.

User Response: Ensure that TCP/IP is operational on your system by using the ping command with your TCP/IP address as a target. If TCP/IP is not active on your system, you must activate it; then halt and restart the server.

ANR8205E (Solaris)

Terminating TCP/IP driver - socket accept operation failed; error *error code*.

Explanation: The server is unable to initialize the TCP/IP driver due to a socket accept error.

System Action: Server operation continues, but TCP/IP support is inoperative.

User Response: Ensure that TCP/IP is operational on your system by using the ping command with your TCP/IP address as a target. If TCP/IP is not active on your system, you must activate it; then halt and restart the server.

ANR8205W (Windows NT)

Unable to establish TCP connection - server HALT in progress.

Explanation: The server is unable to accept a client session due to server HALT processing that is in progress.

System Action: Server operation continues, but the session request for this session fails.

User Response: None.

ANR8206W (AIX)

Socket *socket (session session number)* closed abruptly.

Explanation: The server detects that the indicated session on the specified TCP/IP socket is closed outside of the server.

System Action: Server operation continues, but the session is ended.

User Response: None.

ANR8206W (AS/400)

TCPIP is not available.

Explanation: QTCP is not in the liblist of job description QADSM. Refer to ADSM Installing Server and Admin Client for more information.

System Action: Server operation continues, but TCPIP is not available.

User Response: None.

ANR8206E (HP-UX)

Unable to establish TCP/IP session - invalid host address *IP host address (port port number)*.

Explanation: The server is unable to establish a session because the designated address or port number is not valid.

System Action: Server operation continues.

User Response: Ensure that the specified host name is valid and is accessible over the network. If the TCPCLIENTPort option is specified for the remote system, ensure it does not conflict with another application.

ANR8206E (Solaris)

Unable to establish TCP/IP session - invalid host address *IP host address* (port port number).

Explanation: The server is unable to establish a session because the designated address or port number is not valid.

System Action: Server operation continues.

User Response: Ensure that the specified host name is valid and is accessible over the network. If the TCPCLIENTPort option is specified for the remote system, ensure it does not conflict with another application.

ANR8207W (AIX)

TCP/IP driver unable to initialize due to socket initialization error.

Explanation: While initializing TCP/IP communications, the server fails to set up an interface with TCP/IP.

System Action: Server operation continues, but the server cannot accept sessions from clients using the TCP/IP protocol.

User Response: Ensure that TCP/IP has been started and is active on your system. You may issue the TCP/IP ping command to your own address to verify that TCP/IP is both started and active.

ANR8207W (AS/400)

TCP/IP driver unable to initialize due to socket initialization error.

Explanation: While initializing TCP/IP communications, ADSM has failed to set up an interface with TCP/IP for AS/400.

System Action: Server operation continues, but the server cannot accept sessions from clients using the TCP/IP communication protocol.

User Response: Ensure that TCP/IP is properly installed on your system, and has been started on your system. Issue the TCP/IP ping command to your own address to verify that TCP/IP is both installed and active.

ANR8207E (HP-UX)

Unable to establish TCP/IP session with *IP host address* due to memory shortage.

Explanation: The server is unable to establish a session because of a memory shortage condition.

System Action: Server operation continues.

User Response: Ensure that your system has sufficient paging space to support the current level of system activities.

ANR8207E (Solaris)

Unable to establish TCP/IP session with *IP host address* due to memory shortage.

Explanation: The server is unable to establish a session because of a memory shortage condition.

System Action: Server operation continues.

User Response: Ensure that your system has sufficient paging space to support the current level of system activities.

ANR8207W (Windows NT)

TCP/IP driver unable to initialize due to socket initialization error.

Explanation: While initializing TCP/IP communications, the server has failed to set up an interface with TCP/IP for Windows NT.

System Action: Server operation continues, but the server cannot accept sessions from clients using the TCP/IP protocol.

User Response: Ensure that TCP/IP is properly installed on your system. Ensure that TCP/IP has been started on your system. Issue the TCP/IP ping command to your own address to verify that TCP/IP is both installed and active.

ANR8208W (AIX)

TCP/IP driver unable to initialize due to error in BINDing to Port *port*, reason code *reason code*.

Explanation: While initializing TCP/IP communications, the server fails to connect to a master socket on which to listen for clients. The reason code is the return code from the TCP/IP bind API.

System Action: Server operation continues, but the server cannot accept sessions from clients using the TCP/IP protocol.

User Response: Ensure that no other application is using the port number specified in the server options file with the PORT option by issuing the TCP/IP netstat command. If HTTP is also in use for client sessions, ensure that the same port number is not specified for both TCP/IP and HTTP communications. If the server was brought down and client sessions were active, it may be necessary to terminate the client sessions on the client systems before the port can be freed.

ANR8208W (AS/400)

TCP/IP driver unable to initialize due to error in BINDing to Port *port*.

Explanation: While initializing TCP/IP communications, ADSM has failed to connect to a master socket on which to listen for clients.

System Action: Server operation continues, but the server cannot accept sessions from clients using the TCP/IP communication protocol.

User Response: Ensure that no other application is using the port number specified in the server options file with the PORT option. This may be done by issuing the TCP/IP NETSTAT command. If the server is halted and then restarted immediately, you may be within the TCP/IP one minute timeout period for port reuse. Halt the server, wait one minute, and then restart the server.

ANR8208E (HP-UX)

Unable to establish TCP/IP session with *IP host address* - socket creation failed; error *error code*.

Explanation: The server is unable to establish a session because of a socket creation error.

System Action: Server operation continues.

User Response: Ensure that TCP/IP is operational on your system by using the ping command with your TCP/IP address as a target. If TCP/IP is not active on your system, you must activate it; then halt and restart the server.

ANR8208E (Solaris)

Unable to establish TCP/IP session with *IP host address* - socket creation failed; error *error code*.

Explanation: The server is unable to establish a session because of a socket creation error.

System Action: Server operation continues.

User Response: Ensure that TCP/IP is operational on your system by using the ping command with your TCP/IP address as a target. If TCP/IP is not active on your system, you must activate it; then halt and restart the server.

ANR8208W (Windows NT)

TCP/IP driver unable to initialize due to error in BINDing to Port *port*, reason code *reason code*.

Explanation: While initializing TCP/IP communications, the server has failed to connect to a master socket on which to listen for clients. The reason code is the return code from the TCP/IP bind API.

System Action: Server operation continues, but the server cannot accept sessions from clients using the TCP/IP protocol.

User Response: Ensure that no other application is using the port number specified in the server options file with the PORT option. If HTTP is also in use for client sessions, ensure that the same port number is not specified for both TCP/IP and HTTP communications. This may be done by issuing the TCP/IP netstat -s command. If the server is brought down and then started immediately, you may be within the TCP/IP one minute timeout period for port reuse. Bring down the server, wait one minute, and then restart the server. If that does not work, it may be necessary to restart Windows NT.

ANR8209W (AIX)

TCP/IP driver unable to initialize due to error in LISTENing on the specified Port, reason code *reason code*.

Explanation: While attempting to listen for session requests from clients using TCP/IP, TCP/IP returns an error. The reason code is the return code from the TCP/IP listen API.

System Action: Server operation continues, but the server cannot accept additional sessions from clients using the TCP/IP protocol.

User Response: Ensure that TCP/IP is running properly by issuing the TCP/IP netstat -s and ping commands to other nodes on your network. It may be possible to bring the server down and restart it to allow additional client sessions to start.

ANR8209W (AS/400)

TCP/IP driver unable to initialize due to error in LISTENing on the specified Port.

Explanation: While attempting to listen for session requests from clients using TCP/IP, TCP/IP returns an error.

System Action: Server operation continues, but the server cannot accept additional sessions from clients using the TCP/IP communication protocol.

User Response: Ensure that TCP/IP is running properly. This may be done by issuing the TCP/IP NETSTAT and ping commands to other nodes on your network. It may be possible to correct this condition by restarting the server.

ANR8209E (HP-UX)

Unable to establish TCP/IP session with *IP host address* - connection refused.

Explanation: The server is unable to establish a session because the remote system refused the connection request.

System Action: Server operation continues.

User Response: Ensure that the specified remote system is operational and is properly configured to run TCP/IP. Ensure that the client options file specifies the correct TCP/Serveraddress and TCP/Port of the server you are attempting to contact.

ANR8209E (Solaris)

Unable to establish TCP/IP session with IP host address - connection refused.

Explanation: The server is unable to establish a session because the remote system refused the connection request.

System Action: Server operation continues.

User Response: Ensure that the specified remote system is operational and is properly configured to run TCP/IP. Ensure that the client options file specifies the correct TCP/Serveraddress and TCP/Port of the server you are attempting to contact.

ANR8209W (Windows NT)

TCP/IP driver unable to initialize due to error in LISTENing on the specified Port, reason code *reason code*.

Explanation: While attempting to listen for session requests from clients using TCP/IP, TCP/IP returns an error. The reason code is the return code from the TCP/IP listen API.

System Action: Server operation continues, but the server cannot accept additional sessions from clients using the TCP/IP protocol.

User Response: Ensure that TCP/IP is running properly. This may be done by issuing the TCP/IP netstat -s and ping commands to other nodes on your network. It may be possible to correct this condition by restarting the server.

ANR8210W (AIX)

TCP/IP driver is terminating due to error in accepting a new session, reason code *reason code*.

Explanation: While attempting to accept a session request from a client using TCP/IP, TCP/IP returns an error. The reason code is the return code from the TCP/IP accept API.

System Action: Server operation continues, but the server cannot accept additional sessions from clients using the TCP/IP protocol.

User Response: Ensure that TCP/IP is running properly. This may be done by issuing the TCP/IP netstat -s and ping commands to other nodes on your network. It may be possible to bring the server down and restart it to allow additional client sessions to start.

ANR8210W (AS/400)

TCP/IP driver is terminating due to error in accepting a new session.

Explanation: While attempting to accept a session request from a client using TCP/IP, TCP/IP returns an error.

System Action: Server operation continues, but the server cannot accept additional sessions from clients using the TCP/IP communication protocol.

User Response: Ensure that TCP/IP is running properly. It may be possible to halt the server and start it again to allow additional client sessions to start.

ANR8210E (HP-UX)

Unable to establish TCP/IP session with IP host address - connection request timed out.

Explanation: The server is unable to establish a session because the remote system did not respond to the connection request.

System Action: Server operation continues.

User Response: Ensure the following:

- The specified remote system is operational and is properly configured to run TCP/IP.
 - The client options file specifies the correct TCPServeraddress and TCPPort of the server you are attempting to contact.
 - Necessary gateways and routers are functioning properly.
-

ANR8210E (Solaris)

Unable to establish TCP/IP session with IP host address - connection request timed out.

Explanation: The server is unable to establish a session because the remote system did not respond to the connection request.

System Action: Server operation continues.

User Response: Ensure the following:

- The specified remote system is operational and is properly configured to run TCP/IP.
 - The client options file specifies the correct TCPServeraddress and TCPPort of the server you are attempting to contact.
 - Necessary gateways and routers are functioning properly.
-

ANR8210W (Windows NT)

TCP/IP driver is terminating due to error in accepting a new session, reason code *reason code*.

Explanation: While attempting to accept a session request from a client using TCP/IP, TCP/IP returns an error. The reason code is the return code from the TCP/IP accept API.

System Action: Server operation continues, but the server cannot accept additional sessions from clients using the TCP/IP protocol.

User Response: Ensure that TCP/IP is running properly. This may be done by issuing the TCP/IP netstat -s and ping commands to other nodes on your network. It may be possible to bring the server down and restart it to allow additional client sessions to start.

ANR8211W (AIX)

TCP/IP driver is terminating due to error in creating a new thread.

Explanation: The server cannot initialize due to the inability to create a new thread of execution.

System Action: Server operation continues, but TCP/IP communications is inoperative.

User Response: The most likely cause is a lack of memory. Ensure that sufficient paging space is available for AIX. You may also use SMIT to determine if the number of applications is causing a memory shortage. You may also decrease the maximum number of sessions that the server can accept with the MAXSESSIONS option in the server options file.

ANR8211W (AS/400)

An error occurs and the TCP/IP driver is not available.

Explanation: The ADSM server cannot initialize the TCP/IP driver.

System Action: Server operation continues, but TCP/IP communications is not available.

User Response: Contact your service representative.

ANR8211E (HP-UX)

Unable to establish TCP/IP session with *IP host address* - system/network unreachable.

Explanation: The server is unable to establish a session because the remote system or network is unreachable.

System Action: Server operation continues.

User Response: Ensure that the specified remote system is operational and is properly configured to run TCP/IP. Also, ensure that necessary gateways and routers are functioning properly.

ANR8211E (Solaris)

Unable to establish TCP/IP session with IP host address - system/network unreachable.

Explanation: The server is unable to establish a session because the remote system or network is unreachable.

System Action: Server operation continues.

User Response: Ensure that the specified remote system is operational and is properly configured to run TCP/IP. Also, ensure that necessary gateways and routers are functioning properly.

ANR8211W (Windows NT)

TCP/IP driver is terminating due to error in creating a new thread.

Explanation: The server cannot initialize due its inability to create a new thread of execution.

System Action: Server operation continues, but TCP/IP communications is inoperative.

User Response: The most likely cause is a lack of memory. Ensure that there is sufficient space for the Windows NT paging file. Click on the system icon in the Windows NT control panel and then click on the virtual memory button. Refer to the online help for instructions on how to increase the amount of virtual memory. You may also wish to cut down on the maximum number of sessions that the server can accept with the MAXSESSIONS option in the server options file.

ANR8212W (AIX)

Unable to resolve address for node name.

Explanation: The server attempts to obtain a TCP/IP address for the indicated node name. The attempt is unsuccessful.

System Action: The attempt to communicate with the indicated node fails. Server operation continues.

User Response: Ensure that the node name is properly specified and that it is accessible over the network. Use the TCP/IP ping command for this purpose.

ANR8212W (AS/400)

Unable to resolve TCP/IP address for *node name*.

Explanation: The ADSM server attempts to obtain a TCP/IP address for the indicated node name. The attempt is unsuccessful.

System Action: The attempt to communicate with the indicated node fails. Server operation continues.

User Response: Ensure that the node name is properly specified and that it is accessible over the network. Use the TCP/IP ping command for this purpose.

ANR8212E (HP-UX)

Unable to establish TCP/IP session with *IP host address* - connect failed; error error code.

Explanation: The server is unable to establish a session because of a connection error.

System Action: Server operation continues.

User Response: Ensure that the specified remote system is operational and is properly configured to run TCP/IP.

ANR8212E (Solaris)

Unable to establish TCP/IP session with *IP host address* - connect failed; error error code.

Explanation: The server is unable to establish a session because of a connection error.

System Action: Server operation continues.

User Response: Ensure that the specified remote system is operational and is properly configured to run TCP/IP.

ANR8212W (Windows NT)

Unable to resolve address for *node name*.

Explanation: The server attempts to obtain a TCP/IP address for the indicated node name. The attempt is unsuccessful.

System Action: The attempt to communicate with the indicated node fails. Server operation continues.

User Response: Ensure that the node name is properly specified and that it is accessible over the network. Use the TCP/IP ping command for this purpose.

ANR8213W (AIX)

Session open with *node name* timed out.

Explanation: The server attempts to contact the indicated node name. The attempt is unsuccessful.

System Action: The attempt to communicate with the indicated node fails.

User Response: Ensure that the node name is properly specified and that it is accessible over the network. Use the TCP/IP ping command for this purpose.

ANR8213W (AS/400)

Session open with *node name* timed out.

Explanation: The ADSM server attempts to contact the indicated node name. The attempt is unsuccessful.

System Action: The attempt to communicate with the indicated node fails.

User Response: Ensure that the node name is properly specified and that it is accessible over the network by using the TCP/IP ping command.

ANR8213E (HP-UX)

Session *Session identifier* aborted due to send error; error *error code*.

Explanation: The session between the server and the specified client system experienced a disruptive error sending data.

System Action: The session with the remote system is ended.

User Response: Ensure that the specified remote system is operational and is properly configured to run TCP/IP.

ANR8213E (Solaris)

Session *Session identifier* aborted due to send error; error *error code*.

Explanation: The session between the server and the specified client system experienced a fatal error sending data.

System Action: The session with the remote system is ended.

User Response: Ensure that the specified remote system is operational and is properly configured to run TCP/IP.

ANR8213W (Windows NT)

Session open with *node name* timed out.

Explanation: The server attempts to contact the indicated node name. The attempt is unsuccessful.

System Action: The attempt to communicate with the indicated node fails.

User Response: Ensure that the node name is properly specified and that it is accessible over the network. Use the TCP/IP ping command for this purpose.

ANR8214E (AIX) Session open with IP host address failed due to connection refusal.

Explanation: The server is unable to establish a session because the remote system refused the connection request.

System Action: Server operation continues.

User Response: Ensure that the specified remote system is operational and is properly configured to run TCP/IP. Ensure that the client options file specifies the correct TCPServeraddress and TCPPort of the server you are attempting to contact.

ANR8214E (AS/400)

Session open with IP host address failed due to connection refusal.

Explanation: The ADSM server is unable to establish a session because the remote system refused the connection request.

System Action: Server operation continues.

User Response: Ensure that the specified remote system is operational and is properly configured to run TCP/IP. Ensure that the client options file specifies the correct TCPServeraddress and TCPPort of the server you are attempting to contact.

ANR8214E (HP-UX)

Session *Session identifier* aborted due to zero-length message.

Explanation: The session between the server and the specified client system experienced a disruptive error receiving data.

System Action: The session with the remote system is ended.

User Response: Ensure that the specified remote system is operational and is properly configured to run TCP/IP.

ANR8214E (Solaris)

Session *Session identifier* aborted due to zero-length message.

Explanation: The session between the server and the specified client system experienced a fatal error receiving data.

System Action: The session with the remote system is ended.

User Response: Ensure that the specified remote system is operational and is properly configured to run TCP/IP.

ANR8214E (Windows NT)

Session open with *IP host address* failed due to connection refusal.

Explanation: The server is unable to establish a session because the remote system refused the connection request.

System Action: Server operation continues.

User Response: Ensure that the specified remote system is operational and is properly configured to run TCP/IP. Ensure that the client options file specifies the correct TCPServeraddress and TCPPort of the server you are attempting to contact.

ANR8215W (AIX)

Session open with *IP host address* failed as unreachable.

Explanation: The server is unable to establish a session because the remote system is unreachable.

System Action: Server operation continues.

User Response: Ensure that the IP host address is properly specified and that it is accessible over the network. Use the TCP/IP ping command for this purpose.

ANR8215W (AS/400)

Session open with *IP host address* failed as unreachable.

Explanation: The ADSM server is unable to establish a session because the remote system is unreachable.

System Action: Server operation continues.

User Response: Ensure that the IP host address is properly specified and that it is accessible over the network. Use the TCP/IP ping command for this purpose.

ANR8215E (HP-UX)

Session *Session identifier* aborted due to receive error; error *error code*.

Explanation: The session between the server and the specified client system experienced a disruptive error receiving data.

System Action: The session with the remote system is ended.

User Response: Ensure that the specified remote system is operational and is properly configured to run TCP/IP.

ANR8215E (Solaris)

Session *Session identifier* **aborted due to receive error; error error code.**

Explanation: The session between the server and the specified client system experienced a fatal error receiving data.

System Action: The session with the remote system is ended.

User Response: Ensure that the specified remote system is operational and is properly configured to run TCP/IP.

ANR8215W (Windows NT)

Session open with IP host address failed as unreachable.

Explanation: The server is unable to establish a session because the remote system is unreachable.

System Action: Server operation continues.

User Response: Ensure that the IP host address is properly specified and that it is accessible over the network. Use the TCP/IP ping command for this purpose.

ANR8216W (AIX)

Error sending data on socket *socket number.* **Reason** *return code.*

Explanation: The server experiences an error return code from TCP/IP while sending data over the indicated socket. This may be a normal event if either side of the connection is abruptly ended.

System Action: The session is ended. Server operation continues.

User Response: If the session is ended as a result of intentionally stopping either the client or server, no response is required. Otherwise, ensure that the client and server can communicate through such means as Telnet or FTP applications, which are part of the TCP/IP suite.

ANR8216W (AS/400)

Error sending data on socket *socket number.*

Explanation: The ADSM server experiences an error return code from TCP/IP while sending data over the indicated socket. This may be a normal event if either side of the connection is abruptly ended by the client or server.

System Action: The session is ended. Server operation continues.

User Response: If the session is ended as a result of intentionally stopping either the client or the server, no response is required. Otherwise, ensure that the client and the server can communicate through such means as Telnet or FTP applications, which are part of the TCP/IP suite.

ANR8216E (HP-UX)

Unable to establish TCP/IP session with *IP host address* due to thread creation error.

Explanation: The server is unable to establish a session because of an error creating a thread.

System Action: Server operation continues.

User Response: Ensure that your system has sufficient paging space to support the current level of system activities.

ANR8216E (Solaris)

Unable to establish TCP/IP session with *IP host address* due to thread creation error.

Explanation: The server is unable to establish a session because of an error creating a thread.

System Action: Server operation continues.

User Response: Ensure that your system has sufficient paging space to support the current level of system activities.

ANR8216W (Windows NT)

Error sending data on socket *socket number*. Reason *return code*.

Explanation: The server experiences an error return code from TCP/IP while sending data over the indicated socket. This may be a normal event if either side of the connection is abruptly ended.

System Action: The session is ended. Server operation continues.

User Response: If the session is ended as a result of intentionally stopping either the client or server, no response is required. Otherwise, ensure that the client and server can communicate through such means as Telnet or FTP applications, which are part of the TCP/IP suite.

ANR8217W (AIX)

Error receiving data on socket *socket number*. Reason *return code*.

Explanation: The server experiences an error return code from TCP/IP while receiving data on the indicated socket. This may be a normal event if either side of the connection is abruptly ended.

System Action: The session is ended. Server operation continues.

User Response: If the session is ended as a result of intentionally stopping either the client or server, no response is required. Otherwise, ensure that the client and server can communicate through such means as Telnet or FTP applications, which are part of the TCP/IP suite.

ANR8217W (AS/400)

Error receiving data on socket *socket number*.

Explanation: The ADSM server experiences an error return code from TCP/IP while receiving data on the indicated socket. This may be a normal event if either side of the connection is abruptly ended by the client or server.

System Action: The session is ended. Server operation continues.

User Response: If the session is ended as a result of intentionally stopping either the client or the server, no response is required. Otherwise, ensure that the client and the server can communicate through such means as Telnet or FTP applications, which are part of the TCP/IP suite.

ANR8217W (HP-UX)

TCP/IP driver is unable to set the window size to *TCPWindowsize* **for client** *client*. **The default value will be used.**

Explanation: The server cannot set the window size for the indicated client to the requested size shown. The server uses the default window size for the indicated session. There may be a lack of memory for TCP/IP buffers.

System Action: Server operation continues and the session continues with the default window size.

User Response: Retry the session with a smaller window size in the options file. Issue the QUERY OPTION command to determine the setting of the server TCPWindowsize.

ANR8217W (Solaris)

Unable to initialize TCP/IP driver - insufficient memory.

Explanation: Because the operating system rejects a memory allocation request, the server cannot start communications through TCP/IP.

System Action: Server operation continues, but the server cannot accept sessions from clients using the TCP/IP protocol.

User Response: Ensure that sufficient paging space is available for Solaris. You may also use ps -ef to determine if the number of applications is causing a memory shortage. It may be necessary to decrease the maximum number of client sessions by changing the MAXSESSIONS option in the server options file.

ANR8217W (Windows NT)

Error receiving data on socket *socket number*. **Reason** *return code*.

Explanation: The server experiences an error return code from TCP/IP while receiving data on the indicated socket. This may be a normal event if either side of the connection is abruptly ended.

System Action: The session is ended. Server operation continues.

User Response: If the session is ended as a result of intentionally stopping either the client or server, no response is required. Otherwise, ensure that the client and server can communicate through such means as Telnet or FTP applications, which are part of the TCP/IP suite.

ANR8218W (AIX)

Session terminated when no data was read on socket *socket number*.

Explanation: The server is unable to read data on the indicated socket. This may be a normal event if either side of the connection is abruptly ended.

System Action: The session is ended. Server operation continues.

User Response: If the session is ended as a result of intentionally stopping either the client or server, no response is required. Otherwise, ensure that the client and server can communicate through such means as Telnet or FTP applications, which are part of the TCP/IP suite.

ANR8218W (AS/400)

Session terminated when no data read on socket *socket number*.

Explanation: The ADSM server cannot read on the indicated socket. This may be a normal event if either side of the connection is abruptly ended by the client or server.

System Action: The session is ended. Server operation continues.

User Response: If the session is ended as a result of intentionally stopping either the client or the server, no response is required. Otherwise, ensure that the client and the server can communicate through such means as Telnet or FTP applications, which are part of the TCP/IP suite.

ANR8218W (HP-UX)

TCP/IP driver is unable to use the TCP/IP NODELAY option for client *client*.

Explanation: The server cannot set TCP/IP NODELAY for the indicated client. The session proceeds with TCP/IP Delay processing in effect. This causes TCP/IP to buffer data prior to sending it to clients.

System Action: Server operation continues and the session continues with the delay processing on.

User Response: Further details for use in contacting your service representative can be obtained by issuing the following trace commands from an admin session or from the server console (proper administrative authority is required): TRACE ENABLE TCPINFO TRACE BEGIN tcptrace.out After a session starts and gets message ANR8218W, issue the following commands: TRACE FLUSH TRACE END This will create trace data in file tcptrace.out and will terminate the trace. This file should be supplied to your server representative on request.

ANR8218W (Solaris)

Unable to resolve address for *node name*.

Explanation: The server attempts to obtain a TCP/IP address for the indicated node name. The attempt is unsuccessful.

System Action: The attempt to communicate with the indicated node fails. Server operation continues.

User Response: Ensure that the node name is properly specified and that it is accessible over the network. Use the TCP/IP ping command for this purpose.

ANR8218W (Windows NT)

Session terminated when no data read on socket *socket number*.

Explanation: The server cannot read on the indicated socket. This may be a normal event if either side of the connection is abruptly ended.

System Action: The session is ended. Server operation continues.

User Response: If the session is ended as a result of intentionally stopping either the client or server, no response is required. Otherwise, ensure that the client and server can communicate through such means as Telnet or FTP applications, which are part of the TCP/IP suite.

ANR8219W (AIX)

TCP/IP driver is unable to accept a new session with client at address *TCP/IP address* due to an error in creating a new thread.

Explanation: The server cannot accept a client session with the client at the indicated address due to an inability to create a new thread.

System Action: Server operation continues, the session request fails.

User Response: The most likely cause is lack of memory. Ensure that sufficient paging space is available for AIX. You may also use SMIT to determine if the

number of applications is causing a memory shortage. You may also decrease the maximum number of sessions that the server can accept with the MAXSESSIONS option in the server options file.

ANR8219W (AS/400)

An error occurs and the TCP/IP driver is unable to accept a new session.

Explanation: The ADSM server cannot accept a client session.

System Action: Server operation continues, and the session request fails.

User Response: Contact your service representative.

ANR8219W (HP-UX)

Unable to initialize TCP/IP driver - insufficient memory.

Explanation: Because the operating system rejects a memory allocation request, the server cannot start communications through TCP/IP.

System Action: Server operation continues, but the server cannot accept sessions from clients using the TCP/IP protocol.

User Response: Ensure that sufficient paging space is available for HP-UX. You may also use SMIT to determine if the number of applications is causing a memory shortage. It may be necessary to decrease the maximum number of client sessions by changing the MAXSESSIONS option in the server options file.

ANR8219W (Solaris)

Unable to establish TCP connection - insufficient memory.

Explanation: The server cannot accept a client session due to a memory allocation request failure.

System Action: Server operation continues, but the session request for this session fails.

User Response: Ensure that sufficient paging space is available for Solaris. You may also use 'swap -l' to determine the amount of swap available. You may also decrease the maximum number of sessions that the server can accept with the MAXSESSIONS option in the server options file.

ANR8219W (Windows NT)

TCP/IP driver is unable to accept a new session due to error in creating a new thread.

Explanation: The server cannot accept a client session due to the inability to create a new thread.

System Action: Server operation continues, the session request fails.

User Response: The most likely cause is a lack of memory. Ensure that there is sufficient space for the Windows NT paging file. Click on the system icon in the Windows NT control panel and then click on the virtual memory button. Refer to the online help for instructions on how to increase the amount of virtual memory. You may also wish to cut down on the maximum number of sessions that the server can accept with the MAXSESSIONS option in the server options file.

ANR8220W (AIX)

TCP/IP driver is unable to set the window size to *TCPWindowsize* for client *client*. The default value will be used.

Explanation: The server cannot set the window size for the indicated client to the requested size shown. The server uses the default window size for the indicated session. There may be a lack of memory for TCP/IP buffers.

System Action: Server operation continues and the session continues with the default window size.

User Response: Retry the session with a smaller window size in the options file. Issue the QUERY OPTION command to determine the setting of the server TCPWindowsize.

ANR8220W (AS/400)

TCP/IP driver is unable to contact *node name*.

Explanation: The ADSM server attempts to contact the indicated node name. The attempt is unsuccessful due to the inability to initialize a local socket.

System Action: The attempt to communicate with the indicated node fails.

User Response: Ensure that TCP/IP is operating properly on this node and that it can communicate remotely. Use the TCP/IP ping command for this purpose.

ANR8220W (HP-UX)

Unable to establish TCP connection - insufficient memory.

Explanation: The server cannot accept a client session due to a memory allocation request failure.

System Action: Server operation continues, but the session request for this session fails.

User Response: Ensure that sufficient paging space is available for HP-UX. You may also use SMIT to determine if the number of applications is causing a memory shortage. You may also decrease the maximum number of sessions that the server can accept with the MAXSESSIONS option in the server options file.

ANR8220W (Solaris)

TCP/IP driver is unable to set the window size to *TCPWindowsize* for client *client*. The default value will be used.

Explanation: The server cannot set the window size for the indicated client to the requested size shown. The server uses the default window size for the indicated session. There may be a lack of memory for TCP/IP buffers.

System Action: Server operation continues and the session continues with the default window size.

User Response: Retry the session with a smaller window size in the options file. Issue the QUERY OPTION command to determine the setting of the server TCPWindowsize.

ANR8220W (Windows NT)

TCP/IP driver is unable to contact *node name* due to an output socket initialization error.

Explanation: The server attempts to contact the indicated node name. The attempt is unsuccessful due to the inability to initialize a local socket.

System Action: The attempt to communicate with the indicated node fails.

User Response: Ensure that TCP/IP is operating properly on this node and that it can communicate remotely. Use the TCP/IP ping command for this purpose.

ANR8221W (AIX)

TCP/IP driver is unable to use the TCP/IP NODELAY option for client *client*.

Explanation: The server cannot set TCP/IP NODELAY for the indicated client. The session proceeds with TCP/IP Delay processing in effect. This causes TCP/IP to buffer data prior to sending it to clients.

System Action: Server operation continues and the session continues with the delay processing on.

User Response: Further details for use in contacting your service representative can be obtained by issuing the following trace commands from an admin session or from the server console (proper administrative authority is required): TRACE ENABLE TCPINFO TRACE BEGIN. After a session starts and gets message ANR8221W, issue the commands TRACE FLUSH TRACE END. This will create trace data in file tcptrace.out and will terminate the trace. This file should be supplied to your service representative on request.

ANR8221W (AS/400)

Unable to initialize TCP/IP driver - TCP/IP is not activated.

Explanation: The ADSM server cannot communicate by way of TCP/IP. TCP/IP is not activated.

System Action: Server operation continues, but the server cannot accept sessions from clients using the TCP/IP communication protocol.

User Response: Ensure that TCP/IP is properly installed on your system, and has been started. Issue the TCP/IP ping command to your own address to verify that TCP/IP is installed and active.

ANR8221W (Solaris)

TCP/IP driver is unable to use the TCP/IP NODELAY option for client *client*.

Explanation: The server cannot set TCP/IP NODELAY for the indicated client. The session proceeds with TCP/IP Delay processing in effect. This causes TCP/IP to buffer data prior to sending it to clients.

System Action: Server operation continues and the session continues with the delay processing on.

User Response: Further details for use in contacting your service representative can be obtained by issuing the following trace commands from an admin session or from the server console (proper administrative authority is required): TRACE ENABLE TCPINFO TRACE BEGIN tcptrace.out After a session starts and gets message ANR8221W, issue the following commands: TRACE FLUSH TRACE END This will create trace data in file tcptrace.out and will terminate the trace. This file should be supplied to your service representative on request.

ANR8221W (Windows NT)

TCP/IP driver is unable to set the window size to *TCPWindowsize* for session *session*, client *client*. The default value will be used.

Explanation: The server cannot set the window size for the indicated session/client to the requested size shown. The server will use the default window size for the indicated session.

System Action: Server operation continues and the session continues with the default window size.

User Response: The most likely cause is lack of memory for TCP/IP buffers. You may retry with a smaller TCP window size in the options file. You can issue the QUERY OPTION command to display the current setting of the TCP window size.

ANR8222W (AIX)

TCP/IP driver is unable to set the window size to *TCPWindowsize* for the server master socket. The default value will be used.

Explanation: The server cannot set the window size for the socket on which the server listens to the requested size shown. The server uses the default window size for listening for sessions. There may be a lack of memory for TCP/IP buffers.

System Action: Server operation continues with the default window size.

User Response: Restart the server with a smaller window size in the options file if necessary. Issue the QUERY OPTION command to determine the setting of the server TCPWindowsize.

ANR8222W (AS/400)

Failure reason is given in spool file QSYSPRT.

Explanation: The ADSM server cannot communicate by way of TCP/IP. TCP/IP is not activated.

System Action: Server operation continues, but the server cannot accept sessions from clients using the TCP/IP communication protocol.

User Response: A spool file QSYSPRT provides the reason.

ANR8222W (Solaris)

Unable to establish TCP connection - server HALT in progress.

Explanation: The server cannot accept a client session due to server HALT processing that is in progress.

System Action: Server operation continues, but the session request for this session fails.

User Response: None.

ANR8222W (Windows NT)

TCP/IP driver is unable to use the TCP/IP NODELAY option for client *client*.

Explanation: The server cannot set TCP/IP NODELAY for the indicated client. The session proceeds with TCP/IP Delay processing in effect. This causes TCP/IP to buffer data prior to sending it to clients.

System Action: Server operation continues and the session continues with the delay processing on.

User Response: Further details for use in contacting your service representative can be obtained by issuing the following trace commands from an admin session or from the server console (proper administrative authority is required): TRACE

ENABLE TCPINFO TRACE BEGIN tcptrace.out After a session starts and gets message ANR8222W, issue the following commands: TRACE FLUSH TRACE END This will create trace data in file tcptrace.out and will terminate the trace. This file should be supplied to your service representative on request.

ANR8223W (AIX)

Unable to connect to remote system *RemoteSystem* due to unexpected return code *ReturnCode*

Explanation: The server was unable to connect to a remote system due to an unexpected return code from the connect Application Programming Interface. Common return code are handled with specific messages. This return code was unexpected.

System Action: Server operation continues but the connection to the remote system fails.

User Response: TCP/IP return code are listed in file /usr/include/sys/errno.h and may provide a pointer to the underlying problem. /usr/include/sys/errno.h is part of fileset bos.adt.include.

ANR8223I (AS/400)

IPX available at address *server address* and port *port number*.

Explanation: The ADSM server can accept sessions with clients using the IPX communication protocol on the indicated port number and specified server address.

System Action: Server operation continues.

User Response: None.

ANR8223W (Solaris)

TCP/IP driver is unable to accept a new session with client at address *TCP/IP address* due to an error in creating a new thread.

Explanation: The server cannot accept a client session with the client at the indicated address due to an inability to create a new thread.

System Action: Server operation continues, the session request fails.

User Response: The most likely cause is lack of memory. Ensure that sufficient paging space is available for Solaris. You may also use `ps -ef` to determine if the number of applications is causing a memory shortage. You may also decrease the maximum number of sessions that the server can accept with the MAXSESSIONS option in the server options file.

ANR8223W (Windows NT)

Failed to connect to system at address *address* port *port*.

Explanation: The server attempted to contact the indicated node name at the specified port. The attempt is unsuccessful. The target port is not valid at the target node.

System Action: The attempt to communicate with the indicated node fails. Server operation continues.

User Response: Ensure that the node name still has TCP/IP running and that the client is active in SCHEDULE mode. If the server is attempting contact with the SNMP subagent, ensure that the hostname and port number for the subagent is correct in the server options file.

ANR8224W (AS/400)

Unable to initialize IPX driver - error creating acceptor socket.

Explanation: The ADSM server cannot communicate by way of IPX. IPX has rejected a request for a socket on which the server listens.

System Action: Server operation continues, but the server cannot accept sessions from clients using the IPX communication protocol.

User Response: Ensure that IPX is operational on your system. If IPX is not started, issue the ADSM HALT command to stop the server, and then restart the server after IPX has been started.

ANR8224W (Solaris)

TCP/IP driver is unable to set the window size to *TCPWindowsize* for the server master socket. The default value will be used.

Explanation: The server cannot set the window size for the socket on which the server listens to the requested size shown. The server uses the default window size for listening for sessions. There may be a lack of memory for TCP/IP buffers.

System Action: Server operation continues with the default window size.

User Response: Restart the server with a smaller window size in the options file if necessary. Issue the QUERY OPTION command to determine the setting of the server TCPWindowsize.

ANR8225I (AIX) NETBIOS driver ready for connection with clients on adapter *network adapter number*.

Explanation: The server is now able to accept sessions with clients using the NETBIOS protocol.

System Action: Server operation continues.

User Response: None.

ANR8225W (AS/400)

Unable to establish IPX connection - insufficient memory.

Explanation: The ADSM server cannot accept a client session due to a memory allocation request failure.

System Action: Server operation continues, but the session request for this session fails.

User Response: Contact your service representative.

ANR8225I (Windows NT)

NETBIOS driver ready for connection with clients on adapter *network adapter number.*

Explanation: The server is now able to accept sessions with clients using the NETBIOS protocol on the indicated network adapter.

System Action: Server operation continues.

User Response: None.

ANR8226W (AS/400)

IPX driver unable to initialize due to error in BINDing to Port *port.*

Explanation: While initializing IPX communications, ADSM has failed to connect to a master socket on which to listen for clients.

System Action: Server operation continues, but the server cannot accept sessions from clients using the IPX communication protocol.

User Response: Ensure that no other application is using the port number specified in the server options file with the PORT option. If the server is halted and then restarted immediately, you may be within the IPX one minute timeout period for port reuse. Halt the server, wait one minute, and then restart the server.

ANR8226W (Windows NT)

Unable to initialize NETBIOS driver on adapter *network adapter number.*

Explanation: The server cannot obtain sufficient NETBIOS resources to initialize communications on the indicated network adapter.

System Action: Server operation continues, but the server will not accept sessions from clients that use the NETBIOS protocol.

User Response: Ensure that NETBIOS is configured on the system. Ensure that all NETBIOS resources are not already in use. If the LAN Server or LAN Requester

application is running, you have NETBIOS configured. In that case, starting the server prior to starting LAN Server or LAN Requester may allow the server to obtain the necessary NETBIOS resources.

ANR8227W (AIX)

NETBIOS connection terminated - insufficient memory.

Explanation: The server cannot listen for client sessions due to a memory allocation request failure.

System Action: Server operation continues, but NETBIOS sessions are not accepted.

User Response: Ensure that sufficient paging space is available for AIX. You may also use SMIT to determine if the number of applications is causing a memory shortage. You may also decrease the maximum number of sessions that the server can accept with the MAXSESSIONS or the NETBIOSSESSIONS option, or both, in the server options file.

ANR8227W (AS/400)

IPX driver unable to initialize due to error in LISTENing on the specified Port.

Explanation: While attempting to listen for session requests from clients using IPX, IPX returns an error.

System Action: Server operation continues, but the server cannot accept additional sessions from clients using the IPX communication protocol.

User Response: Ensure that IPX is running properly. It may be possible to correct this condition by restarting the server.

ANR8227W (Windows NT)

NETBIOS connection terminated - insufficient memory, network adapter network adapter number.

Explanation: The server cannot listen for client sessions on the specified network adapter due to a memory allocation request failure.

System Action: Server operation continues, but the sessions will not be accepted on the specified adapter. Other network adapters remain unaffected.

User Response: The most likely cause is a lack of memory. Ensure that there is sufficient space for the Windows NT paging file. Click on the system icon in the Windows NT control panel and then click on the virtual memory button. Refer to the online help for instructions on how to increase the amount of virtual memory.

ANR8228W (AIX)

NETBIOS connection terminated - server HALT in progress.

Explanation: The server cannot accept a client session due to server HALT processing that is in progress.

System Action: Server operation continues, but the session request for this session fails.

User Response: None.

ANR8228W (AS/400)

IPX driver is terminating due to error in accepting a new session.

Explanation: While attempting to accept a session request from a client using IPX, IPX returns an error.

System Action: Server operation continues, but the server cannot accept additional sessions from clients using the IPX communication protocol.

User Response: Ensure that IPX is running properly. It may be possible to halt the server and start it again to allow additional client sessions to start.

ANR8228W (Windows NT)

NETBIOS connection terminated - server HALT in progress.

Explanation: The server cannot accept a client session due to server HALT processing that is in progress.

System Action: Server operation continues, but the session request for this session fails.

User Response: None.

ANR8229W (AIX)

Unable to add server name *server name* to adapter *network adapter number*.

Explanation: The server cannot initialize communications processing using the NETBIOS protocol on the indicated network adapter because the server name cannot be added as a NETBIOS name on the adapter. Another system on the network may be using the same name for NETBIOS communications. This may be another server or client or a LAN Requester node.

System Action: Server operation continues, but client sessions from clients using the NETBIOS protocol are not accepted on this adapter. Other adapters are not affected.

User Response: Change or add the NETBIOSNAME option for this adapter in your server options file and restart the server to allow this adapter to be used with NETBIOS communications.

ANR8229W (AS/400)

An error occurs and the IPX driver is not available.

Explanation: The ADSM server cannot initialize the IPX driver.

System Action: Server operation continues, but IPX communications is not available.

User Response: Contact your service representative.

ANR8229W (Windows NT)

Unable to add server name *server name* to adapter *network adapter number*.

Explanation: The server cannot initialize communications processing using the NETBIOS protocol on the indicated network adapter because the server name cannot be added as a NETBIOS name on the adapter.

System Action: Server operation continues, but client sessions from clients using the NETBIOS protocol will not be accepted on this adapter. Other adapters are not affected.

User Response: The most likely cause for this message is the presence of another system on the network that is using the same name for NETBIOS communications. This may be another server or client or a LAN Requester node. Changing or adding the NETBIOSNAME option for this adapter in your server options file and restarting the server may allow this adapter to be used with NETBIOS communications.

ANR8230W (AIX)

Unable to create thread to monitor sessions on adapter *network adapter number*.

Explanation: The server cannot accept a client session due to a memory allocation request failure on the specified adapter.

System Action: Server operation continues, but the session request fails.

User Response: Ensure that sufficient paging space is available for AIX. You may also use SMIT to determine if the number of applications is causing a memory shortage. You may also decrease the maximum number of sessions that the server can accept with the MAXSESSIONS or the NETBIOSSESSIONS option, or both, in the server options file.

ANR8230W (AS/400)

Error sending data on socket *socket number*.

Explanation: The ADSM server experiences an error return code from IPX while sending data over the indicated socket. This may be a normal event if either side of the connection is abruptly ended by the client or server.

System Action: The session is ended. Server operation continues.

User Response: If the session is ended as a result of intentionally stopping either the client or the server, no response is required. Otherwise, ensure that the client and the server can communicate.

ANR8230W (Windows NT)

Insufficient memory to start NETBIOS session on adapter *network adapter number*.

Explanation: The server cannot accept a client session due to a memory allocation request failure on the specified adapter.

System Action: Server operation continues, but the session request fails.

User Response: The most likely cause is a lack of memory. Ensure that there is sufficient space for the Windows NT paging file. Click on the system icon in the Windows NT control panel and then click on the virtual memory button. Refer to the online help for instructions on how to increase the amount of virtual memory. You may also wish to cut down on the maximum number of sessions that the server can accept with the MAXSESSIONS or the NETBIOSSESSIONS option, or both, in the server options file.

ANR8231W (AIX)

Unable to create thread to accept NETBIOS sessions.

Explanation: The server cannot initialize due to the inability to create a new thread of execution.

System Action: Server operation continues, but NETBIOS communications is inoperative.

User Response: The most likely cause is a lack of memory. The system process table may also be full. Ensure that sufficient paging space is available for AIX. You may also use SMIT to determine if the number of applications is causing a memory shortage. You may also decrease the maximum number of sessions that the server can accept with the MAXSESSIONS or the NETBIOSSESSIONS option, or both, in the server options file.

ANR8231W (AS/400)

Error receiving data on socket *socket number*.

Explanation: The ADSM server experiences an error return code from IPX while receiving data on the indicated socket. This may be a normal event if either side of the connection is abruptly ended by the client or server.

System Action: The session is ended. Server operation continues.

User Response: If the session is ended as a result of intentionally stopping either the client or the server, no response is required. Otherwise, ensure that the client and the server can communicate.

ANR8231W (Windows NT)

Unable to create thread to accept NETBIOS sessions.

Explanation: The server cannot initialize due to the inability to create a new thread of execution.

System Action: Server operation continues, but NETBIOS communications is inoperative.

User Response: The most likely cause is a lack of memory. Ensure that there is sufficient space for the Windows NT paging file. Click on the system icon in the Windows NT control panel and then click on the virtual memory button. Refer to the online help for instructions on how to increase the amount of virtual memory. You may also wish to cut down on the maximum number of sessions that the server can accept with the MAXSESSIONS or the NETBIOSSESSIONS option, or both, in the server options file.

ANR8232W (AIX)

Unable to create thread to listen to NETBIOS sessions on adapter *network adapter number*.

Explanation: The server cannot initialize due to the inability to create a new thread of execution to monitor the indicated network adapter.

System Action: Server operation continues, but NETBIOS communications is inoperative on the indicated adapter. Other adapters remain unaffected.

User Response: The most likely cause is a lack of memory. The system process table may also be full. Ensure that sufficient paging space is available for AIX. You may also use SMIT to determine if the number of applications is causing a memory shortage. You may also decrease the maximum number of sessions that the server can accept with the MAXSESSIONS or the NETBIOSSESSIONS option, or both, in the server options file.

ANR8232W (AS/400)

Session terminated when no data read on socket *socket number*.

Explanation: The ADSM server cannot read on the indicated socket. This may be a normal event if either side of the connection is abruptly ended by the client or server.

System Action: The session is ended. Server operation continues.

User Response: If the session is ended as a result of intentionally stopping either the client or the server, no response is required. Otherwise, ensure that the client and the server can communicate.

ANR8232W (Windows NT)

Unable to create thread to listen for NETBIOS sessions on adapter *network adapter number*.

Explanation: The server cannot initialize due to the inability to create a new thread of execution to monitor the indicated network adapter.

System Action: Server operation continues, but NETBIOS communications is inoperative on the indicated adapter. Other adapters remain unaffected.

User Response: The most likely cause is a lack of memory. Ensure that there is sufficient space for the Windows NT paging file. Click on the system icon in the Windows NT control panel and then click on the virtual memory button. Refer to the online help for instructions on how to increase the amount of virtual memory. You may also wish to cut down on the maximum number of sessions that the server can accept with the MAXSESSIONS or the NETBIOSESSIONS option, or both, in the server options file.

ANR8233W (AIX)

Unable to create thread to handle NETBIOS session *session number on adapter network adapter number*.

Explanation: The server cannot start a new client session on the indicated adapter due to an inability to start a separate thread of execution for the session.

System Action: Server operation continues, but this session request fails.

User Response: The most likely cause is a lack of memory. The system process table may also be full. Ensure that sufficient paging space is available for AIX. You may also use SMIT to determine if the number of applications is causing a memory shortage. You may also decrease the maximum number of sessions that the server can accept with the MAXSESSIONS or the NETBIOSESSIONS option, or both, in the server options file.

ANR8233W (AS/400)

An error occurs and the IPX driver is unable to accept a new session.

Explanation: The ADSM server cannot accept a client session.

System Action: Server operation continues, and the session request fails.

User Response: Contact your service representative.

ANR8233W (Windows NT)

Unable to create thread to handle NETBIOS session *session number* on adapter *network adapter number*.

Explanation: The server cannot start a new client session on the indicated adapter due to an inability to start a separate thread of execution for the indicated session.

System Action: Server operation continues, but this session request fails.

User Response: The most likely cause is a lack of memory. Ensure that there is sufficient space for the Windows NT paging file. Click on the system icon in the Windows NT control panel and then click on the virtual memory button. Refer to the online help for instructions on how to increase the amount of virtual memory. You may also wish to cut down on the maximum number of sessions that the server can accept with the MAXSESSIONS or the NETBIOSSESSIONS option, or both, in the server options file.

ANR8234W (AIX)

Error loading *modname* for NetBIOS communications method.

Explanation: The server cannot load file module *modname* to initialize the NETBIOS communications driver. The dsmnetb1.drv module is for use with IBM AIX NETBIOS on Token-Ring/6000. The dsmnetb2.drv module is for use with the newer IBM NETBIOS for AIX.

System Action: Server operation continues. NetBIOS communications is inoperative.

User Response: The dsmnetb1.drv and dsmnetb2.drv modules are accessed as part of the load process for NetBIOS communications. Both should be in the same directory as the dsmserv executable or in a directory that is pointed to by the DSMSERV_DIR environment variable. The dsmnetb2.drv module will fail to load unless the STREAMS environment is active. The STREAMS environment is activated with the /usr/sbin/strload command. The server attempts to initialize the IBM AIX NETBIOS on Token-Ring/6000 environment first. If /dev/netbios does not open, the server attempts to initialize the IBM NETBIOS for AIX environment. Consequently, if you have IBM AIX NETBIOS on Token-Ring/6000, but do not have it available for use, you will receive this message naming dsmnetb2.drv as the module that failed to load.

ANR8235W (Windows NT)

Requested number of NETBIOS sessions are not available on adapter *network adapter number*, **proceeding with available sessions.**

Explanation: The server cannot acquire the requested number of NETBIOS sessions for the indicated adapter. The server attempts to acquire the number of NETBIOS sessions as indicated by the NETBIOSSESSIONS parameter of the server options file or, if this option is not specified, by the MAXSESSIONS option.

System Action: Server operation continues, but the maximum number of NETBIOS sessions is limited to the number of sessions that are acquired.

User Response: Ensure that the required number of NETBIOS resources are not already in use. If the LAN Server or LAN Requester application is running, you have NETBIOS configured. In that case, starting the server prior to starting LAN Server or LAN Requester may allow the server to obtain the requested NETBIOS resources.

ANR8236W (AIX)

Failure while listening for NETBIOS sessions on adapter *network adapter number*, **NETBIOS listen return code =** *listen return code*.

Explanation: The server cannot listen for NETBIOS sessions on the indicated adapter. The indicated listen return code has been received from the NetBIOS listen API.

System Action: Server operation continues, but no additional NETBIOS sessions will start using the indicated adapter until the problem is corrected and the server is restarted.

User Response: A NETBIOS listen failure is an indication of a network problem, an adapter problem, or a NETBIOS configuration problem. The following system configuration and system environment listen return codes (in hex) and resolution actions for a listen failure are found in the *LAN Technical Reference IEEE 802.2 and NETBIOS APIs*.

Return Code	Description
11	Local session table full. The maximum number of sessions is in use. Change NETBIOS configuration to increase maximum number of sessions.
19	Name conflict. Ensure that the Server NETBIOS name is not in use elsewhere on the network.
22	Too many commands pending. The maximum number of sessions is in use. Change NETBIOS configuration to increase the maximum number of sessions.

ANR8236W (Windows NT)

Failure while listening for NETBIOS sessions on adapter *network adapter number*, **NETBIOS listen return code** = *listen return code*.

Explanation: The server cannot listen for NETBIOS sessions on the indicated adapter. The indicated listen return code was received from the NETBIOS listen API. If the return code is 24, (hex 18), the listen is retried.

System Action: Server operation continues. If the return code is 24 (hex 18), a new listen is setup because return code 24 indicates a temporary failure. Otherwise, no additional NETBIOS sessions will start using the indicated adapter until the problem is corrected and the server is restarted.

User Response: A NETBIOS listen failure is an indication of a network problem, an adapter problem, or a NETBIOS configuration problem. The following system configuration and system environment listen return codes (in hex) and resolution actions for a listen failure are found in the *IBM Local Area Network Technical Reference*:

Return

Code	Description
11	The local session table is full. The maximum number of sessions are in use. Change NETBIOS configuration to increase the maximum number of sessions.
19	Name conflict. Ensure that the Server NETBIOS name is not in use elsewhere on the network.
22	There are too many commands pending. The maximum number of sessions are in use. Change NETBIOS configuration to increase the maximum number of sessions.
35	The operating system resources are exhausted. A reboot is probably required.

ANR8239I (AS/400)

HTTP driver is ready for connection with clients on port *port number*.

Explanation: The ADSM server can accept sessions with clients using the HTTP communication protocol on the indicated port number.

System Action: Server operation continues.

User Response: None.

ANR8240I (AIX) APPC driver ready for connection with clients on LU LU name.

Explanation: The server is now able to accept sessions with clients using the APPC protocol through the indicated LU name.

System Action: Server operation continues.

User Response: None.

ANR8240I (AS/400)

APPC driver ready for connection with clients on LU LU name.

Explanation: The ADSM server can accept sessions with clients using the APPC protocol through the indicated LU name.

System Action: Server operation continues.

User Response: None.

ANR8240I (Windows NT)

IPX/SPX driver ready for connection with clients on port port number.

Explanation: The server can now accept sessions with clients using the IPX/SPX protocol on the indicated port number.

System Action: Server operation continues.

User Response: None.

ANR8241W (AIX)

APPC connection terminated - insufficient memory.

Explanation: The server cannot accept a client session due to a memory allocation request failure. If this failure occurs prior to the first session request, APPC communications are not established.

System Action: Server operation continues.

User Response: The most likely cause is a lack of memory. The system process table may also be full. Ensure that sufficient paging space is available for AIX. You may also use SMIT to determine if the number of applications is causing a memory shortage. You may also decrease the maximum number of sessions that the server can accept with the MAXSESSIONS option in the server options file.

ANR8241W (AS/400)

APPC connection terminated - insufficient memory.

Explanation: The ADSM server cannot accept a client session due to a memory allocation request failure. If this failure occurs prior to the first session request, APPC communications is inoperative.

System Action: Server operation continues.

User Response: Contact your service representative.

ANR8241W (Windows NT)

Unable to initialize IPX/SPX driver - insufficient memory.

Explanation: The server is unable to communicate by way of IPX/SPX. A memory allocation request has been rejected by the operating system.

System Action: Server operation continues, but the server cannot accept sessions from clients using the IPX/SPX protocol.

User Response: Ensure that there is sufficient space for the Windows NT paging file. Click on the system icon in the Windows NT control panel and then click on the virtual memory button. Refer to the on-line help for instructions on how to increase the amount of virtual memory.

ANR8242W (AIX)

Unable to create thread to monitor sessions on LU *LU name*.

Explanation: The server cannot initialize due to the inability to create a new thread of execution to monitor the indicated LU name.

System Action: Server operation continues, but APPC communications are not established for the indicated LU name. Other LU names remain unaffected.

User Response: The most likely cause is a lack of memory. The system process table may also be full. Ensure that sufficient paging space is available for AIX. You may also use SMIT to determine if the number of applications is causing a memory shortage. You may also decrease the maximum number of sessions that the server can accept with the MAXSESSIONS option in the server options file.

ANR8242W (Windows NT)

Unable to initialize IPX/SPX driver - error creating acceptor socket.

Explanation: The server is unable to communicate by way of IPX/SPX. IPX/SPX has rejected a request for a socket on which the server listens.

System Action: Server operation continues, but the server cannot accept sessions from clients using the IPX/SPX protocol.

User Response: Ensure that IPX/SPX is operational on your system by using the network control panel applet. If IPX/SPX is not started, issue the HALT command to stop the server, and then restart the server.

ANR8243W (AIX)

Unable to open APPC connection *connection: errno error number.*

Explanation: The server cannot open the connection with the client.

System Action: Server operation continues, but APPC communications is not established.

User Response: Make sure the default side information profile IDEFAULT exists and retry the operation.

ANR8243W (Windows NT)

Unable to establish IPX/SPX connection - insufficient memory.

Explanation: The server is unable to accept a client session due to a memory allocation request failure.

System Action: Server operation continues, but the session request for this session fails.

User Response: Ensure that there is sufficient space for the Windows NT paging file. Click on the system icon in the Windows NT control panel and then click on the virtual memory button. Refer to the on-line help for instructions on how to increase the amount of virtual memory. You may also wish to cut down on the maximum number of sessions that the server can accept with the MAXSESSIONS option in the server options file.

ANR8244W (Windows NT)

IPX/SPX driver unable to initialize due to socket initialization error.

Explanation: While initializing IPX/SPX communications, the server has failed to set up an interface with IPX/SPX for Windows NT.

System Action: Server operation continues, but the server cannot accept sessions from clients using the IPX/SPX protocol.

User Response: Ensure that IPX/SPX is properly installed on your system. Ensure that IPX/SPX has been started on your system. Verify that IPX/SPX is both installed and active on your system by using the network control panel applet.

ANR8245W (AIX)**Unable to create APPC thread.**

Explanation: The server cannot initialize due to the inability to create a new thread of execution.

System Action: Server operation continues, but APPC communications are not established.

User Response: The most likely cause is a lack of memory. The system process table may also be full. Ensure that sufficient paging space is available for AIX. You may also use SMIT to determine if the number of applications is causing a memory shortage. You may also decrease the maximum number of sessions that the server can accept with the MAXSESSIONS option in the server options file.

ANR8245W (Windows NT)**IPX/SPX driver unable to initialize due to error in BINDing to Port *port*, reason code *reason code*.**

Explanation: While initializing IPX/SPX communications, the server has failed to connect to a master socket on which to listen for clients. The reason code is the return code from the IPX/SPX bind API.

System Action: Server operation continues, but the server cannot accept sessions from clients using the IPX/SPX protocol.

User Response: Ensure that no other application is using the port number specified in the server options file with the PORT option.

ANR8246W (AIX)**Error sending data on connection descriptor *connection descriptor*. Terminating session *session number*.**

Explanation: The server experiences an error return code from APPC while sending data over the indicated server session number. This may be a normal event if either side of the connection is abruptly ended.

System Action: The session is ended. Server operation continues.

User Response: If the session is ended as a result of intentionally stopping either the client or server, no response is required. Otherwise, ensure that the client and server can communicate over an APPC connection.

ANR8246W (Windows NT)

IPX/SPX driver unable to initialize due to error in LISTENing on the specified Port, reason code *reason code*.

Explanation: While attempting to listen for session requests from clients using IPX/SPX, IPX/SPX returns an error. The reason code is the return code from the IPX/SPX listen API.

System Action: Server operation continues, but the server cannot accept additional sessions from clients using the IPX/SPX protocol.

User Response: Ensure that IPX/SPX is running properly. This may be done using the network control panel applet.

ANR8247W (AIX)

Error listening for session from APPC partner, return code from SET_PARTNER_LU_NAME is *return code*.

Explanation: The server experiences an error return code from APPC while attempting to set up to listen for client sessions. The return code is from the APPC set partner LU name call for appc listen.

System Action: Server operation continues. APPC communications is disabled.

User Response: Ensure that APPC is properly configured and activated. Ensure that APPC can communicate with other nodes through utility programs.

ANR8247E (AS/400)

Device class *device class* not defined in device configuration information file.

Explanation: The command that has been issued requires that the specified device class be defined in the device configuration information file. This definition was not found or the statements in the file are in the wrong order.

System Action: The command is not processed.

User Response: You can either reissue the command and specify a valid device class or refresh your device configuration information file by issuing the BACKUP DEVCONFIG command.

ANR8247W (Windows NT)

IPX/SPX driver is terminating due to error in accepting a new session, reason code *reason code*.

Explanation: While attempting to accept a session request from a client using IPX/SPX, IPX/SPX returns an error. The reason code is the return code from the IPX/SPX accept API.

System Action: Server operation continues, but the server cannot accept additional sessions from clients using the IPX/SPX protocol.

User Response: Ensure that IPX/SPX is running properly. This may be done using the network control panel applet.

ANR8248W (AIX)

Error on allocate listen from APPC LU name *LU name*, return code *return code*.

Explanation: The server experiences an error return code from APPC while attempting to listen for client sessions on the indicated LU name. The return code is from the APPC allocate listen call.

System Action: Server operation continues. APPC communications is disabled.

User Response: Ensure that APPC is properly configured and activated. Ensure that APPC can communicate with other nodes through utility programs. Ensure that the server LU Name is properly configured within APPC.

ANR8248E (AS/400)

Library *library* not defined in device configuration information file.

Explanation: The specified command requires that the specified library be defined in the device configuration information file. This definition was not found or the statements in the file are in the wrong order.

System Action: The command is not processed.

User Response: Refresh your device configuration information file by issuing the BACKUP DEVCONFIG command. Make sure a library is defined for the device class. Reissue the command.

ANR8248W (Windows NT)

IPX/SPX driver is terminating due to error in creating a new thread.

Explanation: The server cannot initialize due its inability to create a new thread of execution.

System Action: Server operation continues, but IPX/SPX communications is inoperative.

User Response: The most likely cause is a lack of memory. Ensure that there is sufficient space for the Windows NT paging file. Click on the system icon in the Windows NT control panel and then click on the virtual memory button. Refer to the on-line help for instructions on how to increase the amount of virtual memory. You may also wish to cut down on the maximum number of sessions that the server can accept with the MAXSESSIONS option in the server options file.

ANR8249W (AIX)

Server Transaction Program not registered with APPC. Mask returned 0xmask, return code return code.

Explanation: The server determines that the Server Transaction Program is not registered while initializing to communicate with clients over APPC. The indicated mask is returned with the indicated return code.

System Action: Server operation continues. APPC communications is disabled.

User Response: Ensure that APPC is properly configured and activated. Ensure that APPC can communicate with other nodes through utility programs. Ensure that ADSMSERV is properly registered as a transaction program.

ANR8249E (AS/400)

Drive not defined for library library in device configuration information file.

Explanation: The specified command requires that the specified drive be defined in the device configuration information file for the specified library. This definition was not found or the statements in the file are in the wrong order.

System Action: The command is not processed.

User Response: Refresh your device configuration information file by issuing the BACKUP DEVCONFIG command. Make sure a drive is defined for the library associated with the device class. Reissue the command.

ANR8249W (Windows NT)

Unable to resolve address for node name.

Explanation: The server attempts to obtain a IPX/SPX address for the indicated node name. The attempt is unsuccessful.

System Action: The attempt to communicate with the indicated node fails. Server operation continues.

User Response: Ensure that the node name is properly specified and that it is accessible over the network.

ANR8250E (AIX) APPC needs a transaction program name profile name in options file.

Explanation: The server cannot accept a client session due to the absence of a transaction program name profile name in the options file.

System Action: Server operation continues.

User Response: Supply a transaction program name profile name in the server options file. Stop and restart the server.

ANR8250W (Windows NT)

Session open with *node name* timed out.

Explanation: The server attempts to contact the indicated node name. The attempt is unsuccessful.

System Action: The attempt to communicate with the indicated node fails.

User Response: Ensure that the node name is properly specified and that it is accessible over the network.

ANR8251W (AIX)

**Error receiving data on connection descriptor *connection descriptor*.
Terminating session *session number*.**

Explanation: The server encounters an error return code from APPC while receiving data over the indicated server session number. This may be a normal event if either side of the connection is abruptly ended.

System Action: The session is ended. Server operation continues.

User Response: If the session is ended as a result of intentionally stopping the client or server, no response is required. Otherwise, ensure that the client and server can communicate over an APPC connection.

ANR8251W (Windows NT)

Session open with *node name* failed due to connection refusal.

Explanation: The server attempts to contact the indicated node name. The attempt is unsuccessful due to a refusal by the target node.

System Action: The attempt to communicate with the indicated node fails. Server operation continues.

User Response: Ensure that the node name still has IPX/SPX running and that the client is active in SCHEDULE mode.

ANR8252I (AIX) APPC driver is halting. This may take a minute.

Explanation: The APPC driver of the server is shutting down in response to the HALT command.

System Action: None.

User Response: None.

ANR8252W (Windows NT)

Session open with *node name* failed as unreachable.

Explanation: The server attempts to contact the indicated node name. The attempt is unsuccessful.

System Action: The attempt to communicate with the indicated node fails. Server operation continues.

User Response: Ensure that the node name is properly specified and that it is accessible over the network.

ANR8253W (AIX)

Error killing select tid *select thread id* return code *rc*.

Explanation: The server encounters an error return code from AIX while killing the select thread. This may hang the server.

System Action: Server operation continues.

User Response: If the server hangs, a manual kill of the server process might be necessary. See `admserv.lock` file in the directory where the server was started to find the server process id.

ANR8253W (Windows NT)

Error sending data on socket *socket number*. Reason *return code*.

Explanation: The server experiences an error return code from IPX/SPX while sending data over the indicated socket. This may be a normal event if either side of the connection is abruptly ended.

System Action: The session is ended. Server operation continues.

User Response: If the session is ended as a result of intentionally stopping either the client or server, no response is required.

ANR8254W (Windows NT)

Error receiving data on socket *socket number*. Reason *return code*.

Explanation: The server experiences an error return code from IPX/SPX while receiving data on the indicated socket. This may be a normal event if either side of the connection is abruptly ended.

System Action: The session is ended. Server operation continues.

User Response: If the session is ended as a result of intentionally stopping either the client or server, no response is required.

ANR8255W (Windows NT)

Session terminated when no data read on socket *socket number*.

Explanation: The server cannot read on the indicated socket. This may be a normal event if either side of the connection is abruptly ended.

System Action: The session is ended. Server operation continues.

User Response: If the session is ended as a result of intentionally stopping either the client or server, no response is required.

ANR8256W (Windows NT)

IPX/SPX driver is unable to accept a new session due to error in creating a new thread.

Explanation: The server cannot accept a client session due to the inability to create a new thread.

System Action: Server operation continues, the session request fails.

User Response: The most likely cause is a lack of memory. Ensure that there is sufficient space for the Windows NT paging file. Click on the system icon in the Windows NT control panel and then click on the virtual memory button. Refer to the on-line help for instructions on how to increase the amount of virtual memory. You may also wish to cut down on the maximum number of sessions that the server can accept with the MAXSESSIONS option in the server options file.

ANR8257W (Windows NT)

IPX/SPX driver is unable to contact *node name* **due to an output socket initialization error.**

Explanation: The server attempts to contact the indicated node name. The attempt is unsuccessful due to the inability to initialize a local socket.

System Action: The attempt to communicate with the indicated node fails.

User Response: Ensure that IPX/SPX is operating properly on this node and that it can communicate remotely.

ANR8259I (AS/400)

Request number: Waiting for the completion of an AS/400 MLB operation in device *device name*.

Explanation: The server is waiting for an AS/400 media library operation to complete.

System Action: The server waits for the AS/400 media library operation to complete.

User Response: None.

ANR8260I (AS/400)

Exit type EXIT exit name defined.

Explanation: The designated exit has been successfully defined.

System Action: The server defines and records the exit in the database.

User Response: None.

ANR8260I (Windows NT)

Named Pipes driver ready for connection with clients.

Explanation: The server is now able to accept sessions with clients using the Named Pipes protocol.

System Action: Server operation continues.

User Response: None.

ANR8261W (AIX)

Unable to bind to NetBIOS endpoint on adapter Adapter number Return code TLI error, reason code system error.

Explanation: The server cannot initiate NetBIOS communications on the indicated adapter. The return codes represent the transport layer interface and system error codes.

System Action: Server operation continues, but communications using the NetBIOS protocol are not established.

User Response: Ensure that NetBIOS has been configured to run on this system through the mcsadm utility. Ensure that there is no other instance of the server running on this system or any other system in the network that is using the same NetBIOS name. Also ensure that the number of NetBIOS sessions has not been exceeded by using the mcsadm utility.

ANR8261I (AS/400)

Exit type EXIT exit name deleted.

Explanation: The designated exit has been successfully deleted.

System Action: The server deletes the exit from the database.

User Response: None.

ANR8261W (Windows NT)

Named Pipes connection terminated - insufficient memory.

Explanation: The server cannot accept a client session due to a memory allocation request failure.

System Action: Server operation continues. Named Pipes communications is inoperative.

User Response: The most likely cause is a lack of memory. Ensure that there is sufficient space for the Windows NT paging file. Click on the system icon in the Windows NT control panel and then click on the virtual memory button. Refer to the online help for instructions on how to increase the amount of virtual memory. You may also wish to cut down on the maximum number of sessions that the server can accept with the MAXSESSIONS option in the server options file.

ANR8262W (AIX)

Unable to open NetBIOS endpoint adapter. Return code = return code.

Explanation: The server cannot initiate communications through the transport layer interface. The indicated return code is from the t_open call. The indicated endpoint is the adapter configured with the mcsadm utility.

System Action: Server operation continues, but communications using the NetBIOS protocol are not established.

User Response: Ensure that NetBIOS has been configured to run on this system through the mcsadm program, and that the NetBIOS stack is running. Also ensure that you have the ptf that allow NetBIOS over TLI to run using /usr/lib/libtli_r.a.

ANR8262I (AS/400)

Exit type **EXIT** *exit name* **updated.**

Explanation: The designated exit has been successfully updated.

System Action: The server updates its information about the exit.

User Response: None.

ANR8262W (Windows NT)

Named Pipes driver is terminating due to error in creating a new thread.

Explanation: The server cannot initialize due to the inability to create a new thread of execution.

System Action: Server operation continues, but Named Pipes communications is inoperative.

User Response: The most likely cause is a lack of memory. Ensure that there is sufficient space for the Windows NT paging file. Click on the system icon in the Windows NT control panel and then click on the virtual memory button. Refer to the online help for instructions on how to increase the amount of virtual memory. You may also wish to cut down on the maximum number of sessions that the server can accept with the MAXSESSIONS option in the server options file.

ANR8263W (AIX)

NetBIOS driver unable to initialize due to error in LISTENing on adapter adapter, return code return code reason code reason code.

Explanation: While the server attempts to listen for session requests from clients using NetBIOS on the indicated adapter, the transport layer interface (TLI) returns an error. The return code is the return code from the TLI listen API. The reason code is the system error code.

System Action: Server operation continues, but the server cannot accept additional sessions from clients using the NetBIOS protocol.

User Response: Ensure that NetBIOS is still running properly and that it has not been intentionally or unintentionally brought down. Do this by using the mcsadm administrative utility.

ANR8263W (AS/400)

End of tape detected on device type volume volume name in drive drive name of library library name.

Explanation: The server has detected end of tape for the specified volume. The volume reached the end of tape before arriving at the estimated capacity value specified in the device class.

System Action: The current process stops writing to the specified volume. The status of the volume is set to read-only. The server accesses another volume if more data must be stored.

User Response: Reduce the estimated capacity in the device class. You can issue the QUERY VOLUME command to view the actual capacity of the volume after it is full. Use the UPDATE DEVCLASS command to change the estimated capacity for the device class. Do not use the UPDATE VOLUME command to change the access mode.

ANR8263W (Windows NT)

Error sending data on Named Pipes, session *session number*. WriteFile Return code is *return code*.

Explanation: The server experiences an error return code from the WriteFile Windows NT API while writing data to Named Pipes over the indicated session. This may be a normal event if either side of the connection is abruptly ended.

System Action: The session is ended. Server operation continues.

User Response: If the session is ended as a result of intentionally stopping either the client or server, no response is required.

ANR8264I (AIX) Unable to bind to NetBIOS secondary socket. Return code *TLI error*, reason code *system error*.

Explanation: The server cannot start communications with a client after listening for a session and finding that a request for a session is in progress. The return codes represent the transport layer interface and system error codes.

System Action: Server operation continues, but this session request fails.

User Response: Ensure that NetBIOS has been configured to run on this system through the mcsadm configuration program. Ensure that the number of NetBIOS sessions has not been exceeded.

ANR8264W (Windows NT)

Error reading data on Named Pipes, session *session number*. ReadFile return code is *return code*.

Explanation: The server experiences an error return code from the ReadFile Windows NT API while reading data from Named Pipes in the indicated session. This may be a normal event if either side of the connection is ended abruptly.

System Action: The session is ended. Server operation continues.

User Response: If the session is ended as a result of intentionally stopping either the client or server, no response is required.

ANR8265W (AIX)

**Unable to establish NetBIOS connection - accept error. Return code *TLI error*
Reason Code *system error*.**

Explanation: The server cannot accept a client session due to a failure in accepting the connection from NetBIOS.

System Action: Server operation continues, but this session request fails.

User Response: Ensure that NetBIOS has been configured to run on this system through the mcsadm utility. Ensure that there is no other instance of the server running on the same system that is using the same NetBIOS name. Also check for the maximum number of sessions configured.

ANR8265W (Windows NT)

Error open Named Pipes *Named Pipes name*, **CreateNamedPipe** return code
return code.

Explanation: The server experiences an error return code when trying to open the indicated Named Pipes name for Named Pipes communication with a client. The return code shown is returned by the Windows NT CreateNamedPipe API.

System Action: The session is ended. Server operation continues. Named Pipes communications is inoperative.

User Response: The server may have run out of file handles. Stop and restart the server to reenable Named Pipes communications. It is not normal to run out of file handles. A system or logic error may be the underlying cause.

ANR8266W (AIX)

Error receiving data on session *session number*. **Reason** *return code.*

Explanation: The server experiences an error return code from NetBIOS while receiving data on the indicated session. This may be a normal event if either side of the connection is abruptly ended.

System Action: The session is ended. Server operation continues.

User Response: If the session is ended as a result of intentionally stopping either the client or server, no response is required. Otherwise, ensure that NetBIOS is active.

ANR8266W (Windows NT)

Error accepting connection on Named Pipes *Named Pipes name*,
ConnectNamedPipe return code *return code.*

Explanation: The server experiences an error return code when trying to complete a connection on the indicated Named Pipes name for Named Pipes communication with a client. The return code shown is returned by the Windows NT ConnectNamedPipe API.

System Action: The session is ended. Server operation continues. Named Pipes communications is inoperative.

User Response: A system problem may be preventing use of Named Pipes. Stop and restart the server to reenable Named Pipes communications.

ANR8267W (AIX)

Error sending data on session *session number*. **Reason** *return code*.

Explanation: The server experiences an error return code from NetBIOS while sending data on the indicated session. This may be a normal event if either side of the connection is abruptly ended.

System Action: The session is ended. Server operation continues.

User Response: If the session is ended as a result of intentionally stopping either the client or server, no response is required. Otherwise, ensure that NetBIOS is active.

ANR8267W (Windows NT)

Error initializing a security descriptor for Named Pipes *Named Pipes name*, **reason:** *System message*.

Explanation: The server experiences an error return code when trying to initialize the indicated Named Pipe for Named Pipes communication with a client. The reason shown is returned by the Windows NT FormatMessage API.

System Action: The session is ended. Server operation continues. Named Pipes communications is inoperative.

User Response: Administrator Privileges are required. Login using an account with Administrator privileges and restart the server to reenable Named Pipes communications.

ANR8268W (AS/400)

AS/400 Tape Management Exit Program unavailable.

Explanation: Based on ADSM library and device definitions, the server has attempted to use the AS/400 Tape Management Exit Program, QIBM_QTA_TAPE_TMS. The exit program is either in use or not installed. The exit program may be in use by a tape management system.

System Action: Server operation continues. The server issues additional error messages when this condition prevents it from completing an operation.

User Response: Ensure that the ADSM library and device definitions are correct. If a tape management system is available, it is possible that the ADSM definitions may be changed to use it. If the exit program is not installed, evaluate your system hardware to determine if the exit must be obtained for use by ADSM. The AS/400 Tape Management Exit Program is part of the Media and Storage Extensions (MSE) feature of OS/400. Additional information about this exit program is available in *System API Reference*, SC41-3801.

ANR8268W (Windows NT)

Named Pipe communications were not enabled due to an error looking up the following NT group name: *NT group name*. Use the NT User manager to add the specified group. Members of the group will then use NT unified logon to access the server over Named pipes.

Explanation: The server experiences an error return code when trying to initialize the indicated Named Pipe for Named Pipes communication with a client. The system could not find the NT Account name specified in the server options file.

System Action: The session is ended. Server operation continues. Named Pipes communications is inoperative.

User Response: To use NT unified logon specify the name of a valid Windows NT account or group name. Restart the server to reenable Named Pipes communications.

ANR8269I (AS/400)

Request number: exit type EXIT returned device device name.

Explanation: The specified exit program provides the indicated device name to the server.

System Action: Server operation continues.

User Response: None.

ANR8269W (Windows NT)

Error opening Named Pipe *Named Pipes name*, reason: *System message*.

Explanation: The server experiences an error return code when trying to open the indicated Named Pipe name for Named Pipes communication with a client. The reason shown is returned by the Windows NT FormatMessage API.

System Action: The session is ended. Server operation continues. Named Pipes communications is inoperative.

User Response: Consider the reason text and take appropriate action. Stop and restart the server to reenable Named Pipes communications.

ANR8270I (AIX) IPX/SPX driver ready for connection with clients on socket *IPX socket number*.

Explanation: The server is now able to accept sessions with clients using the IPX/SPX protocol on the indicated socket number.

System Action: Server operation continues.

User Response: None.

ANR8270I (AS/400)

Request number: exit type **EXIT** **returned volume** *volume name.*

Explanation: The specified exit program provides the indicated volume name to the server.

System Action: Server operation continues.

User Response: None.

ANR8271W (AIX)

Unable to bind to IPX/SPX master socket. Return code *TLI error*, **reason code** *system error.*

Explanation: The server cannot initiate communications on the socket number designated for its use. The return codes represent the transport layer interface and system error codes.

System Action: Server operation continues, but communications using the IPX/SPX protocol are not established.

User Response: Ensure that SPX has been configured to run on this system through the requester configuration program. Ensure that there is no other instance of the server running on the same system that is using the same socket number. Also ensure that the number of SPX sessions has not been exceeded through other applications using the IPX/SPX protocol, such as NetWare for AIX clients.

ANR8271E (AS/400)

Request number: Error opening volume **volume name on drive** *drive name.*

Explanation: ADSM detects an error while attempting to open a volume in the specified drive.

System Action: If a volume is mounted, it is ejected. If the library is of type USRDFN, this media operation fails. For any other library type, the server continues to wait for the requested volume to be mounted.

User Response: Ensure that a volume is inserted properly in the designated drive.

ANR8272W (AIX)

IPX/SPX connection terminated - insufficient memory.

Explanation: The server cannot accept a client session due to a memory allocation request failure.

System Action: Server operation continues.

User Response: The most likely cause is a lack of memory. The system process table may also be full. Ensure that sufficient paging space is available for AIX. You

may also use SMIT to determine if the number of applications is causing a memory shortage. You may decrease the maximum number of sessions that the server can accept with the MAXSESSIONS option in the server options file.

ANR8272I (AS/400)

Request number: **Waiting for the completion of an AS/400 I/O operation on device** *device name*.

Explanation: The server is waiting for an AS/400 I/O operation to complete.

System Action: The server waits for the AS/400 I/O operation to complete.

User Response: None.

ANR8273W (AIX)

Unable to open IPX/SPX endpoint. Return code = *return code*.

Explanation: The server cannot initiate communications through the transport layer interface. The indicated return code is from the `t_open` call.

System Action: Server operation continues, but communications using the IPX/SPX protocol are not established.

User Response: Ensure that SPX has been configured to run on this system through the NetWare for AIX configuration program, and that the Netware Protocol Stack daemon is running.

ANR8273I (AS/400)

Request number: **Waiting for a reply from the AS/400 message queue associated with device** *device name*.

Explanation: The server is waiting for a reply from the AS/400 message queue associated with specified device.

System Action: The server waits for a reply to the message on the queue associated with the given device.

User Response: Locate the message and provide an appropriate reply.

ANR8273I (Windows NT)

Shared memory driver ready for connection with clients.

Explanation: The server is now able to accept sessions with clients using the shared memory protocol.

System Action: Server operation continues.

User Response: None.

ANR8274W (AIX)

IPX/SPX driver is terminating due to error in creating a new thread.

Explanation: The server cannot initialize due to the inability to create a new thread of execution.

System Action: Server operation continues, but IPX/SPX communications are not established.

User Response: The most likely cause is a lack of memory. Ensure that sufficient paging space is available for AIX. You may also use SMIT to determine if the number of applications is causing a memory shortage. You may also decrease the maximum number of sessions that the server can accept with the MAXSESSIONS option in the server options file.

ANR8274E (AS/400)

Command: exit type **EXIT** *exit name* **could not be located.**

Explanation: The *PGM object with the specified exit name cannot be located on the AS/400.

System Action: The server does not process the command.

User Response: Reissue the command and specify a different exit name, or create the exit program before reissuing the command.

ANR8274W (Windows NT)

Shared memory communications driver is terminating due to error in creating a new thread.

Explanation: The server cannot initialize due to the inability to create a new thread of execution.

System Action: Server operation continues, but shared memory communications is inoperative.

User Response: The most likely cause is a lack of memory. Ensure that there is sufficient space for the Windows NT paging file. Click on the system icon in the Windows NT control panel and then click on the virtual memory button. Refer to the on-line help for instructions on how to increase the amount of virtual memory.

ANR8275W (AIX)

IPX/SPX driver unable to initialize due to error in LISTENing on the master socket, return code *return code* reason code *reason code*.

Explanation: While the server attempts to listen for session requests from clients using IPX/SPX, the transport layer interface (TLI) returns an error. The return code is the return code from the TLI listen API. The reason code is the system error code.

System Action: Server operation continues, but the server cannot accept additional sessions from clients using the IPX/SPX protocol.

User Response: Ensure that IPX/SPX is still running properly and that it has not been intentionally or unintentionally brought down. Do this by issuing the NetWare for AIX transport utilities. Ensure that the Netware Protocol Stack daemon is running.

ANR8275E (AS/400)

Command: *exit type* EXIT is not defined.

Explanation: The designated exit has not been defined to the server.

System Action: The server does not process the command.

User Response: Reissue the command and specify a different exit type, or define the exit before reissuing the command.

ANR8275W (Windows NT)

Shared memory connection terminated - insufficient memory.

Explanation: The server cannot accept a client session due to a memory allocation request failure.

System Action: Server operation continues. Shared memory communications is inoperative.

User Response: The most likely cause is a lack of memory. Ensure that there is sufficient space for the Windows NT paging file. Click on the system icon in the Windows NT control panel and then click on the virtual memory button. Refer to the on-line help for instructions on how to increase the amount of virtual memory. You may also wish to cut down on the maximum number of sessions that the server can accept with the MAXSESSIONS option in the server options file.

ANR8276I (AIX) Unable to bind to IPX/SPX secondary socket. Return code *TLI error*, reason code *system error*.

Explanation: The server cannot start communications with a client after listening for a session and finding that a request for a session is in progress. The return codes represent the transport layer interface and system error codes.

System Action: Server operation continues, but this session request fails.

User Response: Ensure that SPX has been configured to run on this system through the requester configuration program. Ensure that there is no other instance of the server running on the same system which is using the same socket number. Also ensure that the number of SPX sessions has not been exceeded through other applications using the IPX/SPX protocol, such as NetWare for AIX clients.

ANR8276E (AS/400)

Command: exit type **EXIT is already defined.**

Explanation: The designated exit cannot be defined because it already exists.

System Action: The server does not process the command.

User Response: None.

ANR8276W (Windows NT)

Shared memory connection terminated - unable to initialize. Key *channel key*, Reason: *reason code*.

Explanation: The server cannot accept a client session due being unable to initialize shared memory.

System Action: Server operation continues. Shared memory communications are inoperative.

User Response: Try a different shared memory session.

ANR8277W (AIX)

Unable to establish IPX/SPX connection - accept error. Return code *TLI error* Reason Code *system error*.

Explanation: The server cannot accept a client session due to a failure in accepting the connection from IPX/SPX.

System Action: Server operation continues, but this session request fails.

User Response: Ensure that SPX has been configured to run on this system though the requester configuration program. Ensure that there is no other instance of the server running on the same system that is using the same socket number. Also

ensure that the number of SPX sessions has not been exceeded through other applications using the IPX/SPX protocol, such as NetWare for AIX clients.

ANR8277E (AS/400)

Command: *exit type* **EXIT name** *exit name* **is invalid.**

Explanation: The syntax of the specified exit program name is invalid.

System Action: The server does not process the command.

User Response: Reissue the command and specify valid syntax for the exit name.

ANR8278W (AIX)

Error receiving data on session *session number*. **Reason** *return code*.

Explanation: The server experiences an error return code from IPX/SPX while receiving data on the indicated session. This may be a normal event if either side of the connection is abruptly ended.

System Action: The session is ended. Server operation continues.

User Response: If the session is ended as a result of intentionally stopping either the client or server, no response is required. Otherwise, ensure that IPX/SPX is active.

ANR8278E (AS/400)

Command: *exit type* **EXIT library name** **is invalid or does not exist.**

Explanation: The specified AS/400 library name is invalid or it does not exist.

System Action: The server does not process the command.

User Response: Reissue the command and specify a different library name.

ANR8279W (AIX)

Error sending data on session *session number*. **Reason** *return code*.

Explanation: The server experiences an error return code from IPX/SPX while sending data on the indicated session. This may be a normal event if either side of the connection is abruptly ended.

System Action: The session is ended. Server operation continues.

User Response: If the session is ended as a result of intentionally stopping either the client or server, no response is required. Otherwise, ensure that IPX/SPX is active.

ANR8279E (AS/400)

Command: *exit type* **EXIT program name is invalid.**

Explanation: The syntax of the specified program name is invalid.

System Action: The server does not process the command.

User Response: Reissue the command and specify a different program name.

ANR8280W (AIX)

Error loading dsmtli.driv for IPX/SPX or NetBIOS communications methods.

Explanation: The server cannot load file dsmtli.driv to initialize a communications driver.

System Action: Server operation continues. The communications method that was initializing is inoperative. This may be either NetBIOS, IPX/SPX or both, depending upon the contents of the server options file dsmserv.opt.

User Response: NetWare for AIX, IBM NetBIOS and IPX Support, or AIX Connections must be installed on your system to use IPX/SPX communications. IBM NetBIOS and IPX Support or AIX Connections must be installed on your system to use NetBIOS communications. File libtli.a is accessed as part of the load process through module dsmtli.driv. This file should be in the same directory as the dsmserv executable or it must be in a directory that is pointed to by the DSMSERV_DIR environment variable.

ANR8280E (AS/400)

Command: **One or more libraries are still defined to use the *exit type* EXIT.**

Explanation: The designated exit cannot be deleted because there are still libraries defined to use the exit.

System Action: The server does not process the command.

User Response: Delete all the libraries that use the exit and reissue the command.

ANR8280I (Windows NT)

HTTP driver ready for connection with clients on port *port number*.

Explanation: The server can now accept sessions with clients using the HTTP protocol on the indicated port number.

System Action: Server operation continues.

User Response: None.

ANR8281W (AIX)

Error binding dsmtli.driv for IPX/SPX or NetBIOS communications method.

Explanation: The server cannot loadbind dsmtli.driv to initialize the IPX/SPX or NetBIOS communications driver after successfully loading dsmtli.driv.

System Action: Server operation continues. IPX/SPX or NetBIOS communications is inoperative.

User Response: NetWare for AIX, IPX and NetBIOS Support/6000, or AIX Connections must be installed on your system to use IPX/SPX communications. IPX and NetBIOS Support/6000 or AIX Connections must be installed on your system to use NetBIOS communications. File libtli.a is accessed as part of the load and loadbind process through module dsmtli.driv. Both files must be available for the load and loadbind system calls.

ANR8281E (AS/400)

Exit type EXIT exit name cannot be accessed.

Explanation: The *PGM object with the given exit name cannot be accessed by the server. The attempt fails because the server does not have the authority necessary to access the designated *PGM object.

System Action: The server does not process the command.

User Response: Reissue the command and specify a different exit name, or obtain the required authority to access the designated *PGM object from the security officer or the exit program owner before reissuing the command.

ANR8281W (Windows NT)

HTTP driver unable to initialize due to error in BINDing to Port *port*, reason code *reason code*.

Explanation: While initializing HTTP communications, the server has failed to connect to a master TCP/IP socket on which to listen for clients. The reason code is the return code from the TCP/IP bind API.

System Action: Server operation continues, but the server cannot accept sessions from administrative clients using HTTP protocol.

User Response: Ensure that no other application is using the port number specified in the server options file with the PORT option. If TCP/IP is also in use for client sessions, ensure that the same port number is not specified for both TCP/IP and HTTP communications. This may be done by issuing the TCP/IP netstat -s command. If the server is brought down and then started immediately, you may be within the TCP/IP one minute timeout period for port reusage. Bring down the sever, wait one minute, and then restart the server. If that does not work, it may be necessary to restart Windows NT.

ANR8282W (AS/400)

Exit type EXIT is not defined.

Explanation: The designated exit has not been defined to the server.

System Action: Server operation continues. The server issues additional error messages if this condition prevents the server from completing an operation.

User Response: Correct the problem with the specified exit program and use the UPDATE EXIT command to notify the server that the exit has been changed.

ANR8282I (HP-UX)

SNMP driver ready for connection with subagent on port *port number*.

Explanation: The server can now accept sessions with SNMP subagents on the indicated port number.

System Action: Server operation continues.

User Response: None.

ANR8282I (Solaris)

SNMP driver ready for connection with subagent on port *port number*.

Explanation: The server can now accept sessions with SNMP subagents on the indicated port number.

System Action: Server operation continues.

User Response: None.

ANR8282I (Windows NT)

HTTPS driver ready for connection with clients on port *port number*.

Explanation: The server can now accept sessions with clients using the HTTPS protocol on the indicated port number.

System Action: Server operation continues.

User Response: None.

ANR8283W (AS/400)

Exit type EXIT exit name cannot be located.

Explanation: The *PGM object with the specified exit name cannot be located on the AS/400.

System Action: Server operation continues. The server issues additional error messages when this condition prevents it from completing an operation.

User Response: Correct the problem with the specified exit program and use the UPDATE EXIT command to notify the server that the exit has been changed.

ANR8283W (HP-UX)

SNMP driver unable to initialize due to error in BINDing to Port *port*, reason code *reason code*.

Explanation: While initializing TCP/IP communications, the server has failed to connect to a master TCP/IP socket on which to listen to SNMP subagents. The reason code is the return code from the TCP/IP bind API.

System Action: Server operation continues, but the server cannot accept sessions from SNMP subagents to run macro commands.

User Response: Ensure that no other application is using the port number specified in the server options file with the PORT option. If TCP/IP or HTTP is also in use for client sessions, ensure that the same port number is not specified for TCP/IP or HTTP communications and SNMP communications. This may be done by issuing the TCP/IP netstat command.

ANR8283W (Solaris)

SNMP driver unable to initialize due to error in BINDing to Port *port*, reason code *reason code*.

Explanation: While initializing TCP/IP communications, the server has failed to connect to a master TCP/IP socket on which to listen to SNMP subagents. The reason code is the return code from the TCP/IP bind API.

System Action: Server operation continues, but the server cannot accept sessions from SNMP subagents to run macro commands.

User Response: Ensure that no other application is using the port number specified in the server options file with the PORT option. If TCP/IP or HTTP is also in use for client sessions, ensure that the same port number is not specified for TCP/IP or HTTP communications and SNMP communications.

ANR8283W (Windows NT)

HTTPS driver unable to initialize due to error in BINDing to Port *port*, reason code *reason code*.

Explanation: While initializing HTTPS communications, the server has failed to connect to a master TCP/IP socket on which to listen for clients. The reason code is the return code from the TCP/IP bind API.

System Action: Server operation continues, but the server cannot accept sessions from administrative clients using HTTP protocol.

User Response: Ensure that no other application is using the port number specified in the server options file with the PORT option. If TCP/IP is also in use for client sessions, ensure that the same port number is not specified for both TCP/IP and HTTPS communications. This may be done by issuing the TCP/IP netstat -s command. If the server is brought down and then started immediately, you may be within the TCP/IP one minute timeout period for port reuse. Bring down the sever, wait one minute, and then restart the server. If that does not work, it may be necessary to restart Windows NT.

ANR8284E (AIX) The Shared Memory Communications Protocol could not initialize.

Explanation: The server was unable to initialize the Shared Memory Communications Protocol due to an error.

System Action: Server operation continues without Shared Memory Communications.

User Response: Examine previous error messages for the cause of the failure.

ANR8284W (AS/400)

Exit type **EXIT** *exit name* **cannot be accessed.**

Explanation: The *PGM object with the given exit name cannot be accessed by the server. The attempt fails because the server does not have the authority necessary to access the designated *PGM object.

System Action: Server operation continues. The server issues additional error messages when this condition prevents it from completing an operation.

User Response: Correct the problem with the specified exit program and use the UPDATE EXIT command to notify the server that the exit has been changed.

ANR8284W (Windows NT)

HTTPS driver unable to initialize due to error in secure data initialization, reason code *reason code*.

Explanation: While initializing HTTPS communications, the server has failed to initialize the secure data certificate information.

System Action: Server operation continues, but the server cannot accept sessions from administrative clients using HTTPS protocol.

User Response: Ensure the keyring file name and keyring file password are correct and that the password has not expired. Check for earlier SKIT messages which may indicate the real problem. Replace keyring if necessary and re-start the server.

ANR8285I (AIX) Shared Memory driver ready for connection with clients on port *l;port*

Explanation: The server is now able to accept sessions with clients using the Shared Memory protocol.

System Action: Server operation continues.

User Response: None.

ANR8285E (AS/400)

Exit type EXIT exit name returned a non-zero result: exit result.

Explanation: The specified exit returned a non-zero result to the server.

System Action: Server operation continues. The server issues additional error messages when this condition prevents it from completing an operation.

User Response: Evaluate the specified exit and the given result to determine if the result is appropriate. If necessary, correct any problems in the exit and use the UPDATE EXIT command to notify the server that the exit has been changed.

ANR8285I (HP-UX)

Shared Memory driver ready for connection with clients on port *port*

Explanation: The server is now able to accept sessions with clients using the Shared Memory protocol.

System Action: Server operation continues.

User Response: None.

ANR8285I (Solaris)

Shared Memory driver ready for connection with clients on port *port*

Explanation: The server is now able to accept sessions with clients using the Shared Memory protocol.

System Action: Server operation continues.

User Response: None.

ANR8285I (Windows NT)

SNMP driver ready for connection with subagent on port *port number*.

Explanation: The server can now accept sessions with SNMP subagents on the indicated port number.

System Action: Server operation continues.

User Response: None.

ANR8286W (AIX)

Unable to initialize Shared Memory driver - insufficient memory.

Explanation: Because the operating system rejected a memory allocation request, the server cannot start communications through the Shared Memory protocol.

System Action: Server operation continues, but the server cannot accept sessions from clients using the Shared Memory protocol.

User Response: Ensure that there is sufficient paging space for AIX. You may also use SMIT to determine if the number of applications is causing a memory shortage. It may be necessary to cut down on the maximum number of client sessions by changing the MAXSESSIONS option in the server options file.

ANR8286E (AS/400)

Exit type EXIT exit name **has overwritten server memory.**

Explanation: The specified exit has performed an operation that has resulted in server memory being overwritten.

System Action: Server operation continues. The server issues additional error messages when this condition prevents it from completing an operation.

User Response: Correct the problem with the specified exit program and use the UPDATE EXIT command to notify the server that the exit has been changed.

ANR8286W (HP-UX)

Unable to initialize Shared Memory driver - insufficient memory.

Explanation: Because the operating system rejected a memory allocation request, the server cannot start communications through the Shared Memory protocol.

System Action: Server operation continues, but the server cannot accept sessions from clients using the Shared Memory protocol.

User Response: Ensure that there is sufficient paging space for HP-UX. You may also use SAM to determine if the number of applications is causing a memory shortage. It may be necessary to cut down on the maximum number of client sessions by changing the MAXSESSIONS option in the server options file.

ANR8286W (Solaris)

Unable to initialize Shared Memory driver - insufficient memory.

Explanation: Because the operating system rejected a memory allocation request, the server cannot start communications through the Shared Memory protocol.

System Action: Server operation continues, but the server cannot accept sessions from clients using the Shared Memory protocol.

User Response: Ensure that there is sufficient swap space for Solaris. It may be necessary to cut down on the maximum number of client sessions by changing the MAXSESSIONS option in the server options file.

ANR8286W (Windows NT)

SNMP driver unable to initialize due to error in BINDing to Port *port*, reason code *reason code*.

Explanation: While initializing TCP/IP communications, the server has failed to connect to a master TCP/IP socket on which to listen to SNMP subagents. The reason code is the return code from the TCP/IP bind API.

System Action: Server operation continues, but the server cannot accept sessions from SNMP subagents to run macro commands.

User Response: Ensure that no other application is using the port number specified in the server options file with the PORT option. If TCP/IP or HTTP is also in use for client sessions, ensure that the same port number is not specified for TCP/IP or HTTP communications and SNMP communications. This may be done by issuing the TCP/IP netstat -s command. If the server is brought down and then started immediately, you may be within the TCP/IP one minute timeout period for port reuse. Bring down the sever, wait one minute, and then restart the server. If that does not work, it may be necessary to restart Windows NT.

ANR8287W (AIX)

Unable to initialize Shared Memory driver - error creating acceptor socket. Reason code *reason code*.

Explanation: Because TCP/IP rejected a request for a socket on which to listen, the server cannot start communications through Shared Memory.

System Action: Server operation continues, but the server cannot accept sessions from clients using the Shared Memory protocol.

User Response: If TCP/IP is not started, use the HALT command from any server prompt to stop the server, and restart it.

ANR8287E (AS/400)

Exception *exception ID* occurred in *exit type* EXIT *exit name*.

Explanation: The specified AS/400 exception has occurred in the given exit.

System Action: Server operation continues. The server issues additional error messages when this condition prevents it from completing an operation.

User Response: Evaluate the specified exception and the given exit to determine the actions necessary to correct the problem. If necessary, use the UPDATE EXIT command to notify the server that the exit or its attributes have been changed.

ANR8287W (HP-UX)

Unable to initialize Shared Memory driver - error creating acceptor socket.

Reason code *reason code*.

Explanation: Because TCP/IP rejected a request for a socket on which to listen, the server cannot start communications through Shared Memory.

System Action: Server operation continues, but the server cannot accept sessions from clients using the Shared Memory protocol.

User Response: If TCP/IP is not started, use the HALT command from any server prompt to stop the server, and restart it.

ANR8287W (Solaris)

Unable to initialize Shared Memory driver - error creating acceptor socket.

Reason code *reason code*.

Explanation: Because TCP/IP rejected a request for a socket on which to listen, the server cannot start communications through Shared Memory.

System Action: Server operation continues, but the server cannot accept sessions from clients using the Shared Memory protocol.

User Response: If TCP/IP is not started, use the HALT command from any server prompt to stop the server, and restart it.

ANR8288W (AIX)

Unable to establish Shared Memory connection - insufficient memory.

Explanation: The server cannot accept a client session due to a memory allocation request failure.

System Action: Server operation continues, but the session request for this session fails.

User Response: Ensure that there is sufficient paging space for AIX. You may also use SMIT to determine if the number of applications is causing a memory shortage. You may also wish to cut down on the maximum number of sessions that the server can accept with the MAXSESSIONS option in the server options file.

ANR8288E (AS/400)

Request number: Device device name is not defined in library library name.

Explanation: The designated device has been provided to the server by the MOUNT exit program, but the device is not defined in the given library.

System Action: Server operation continues, but this media operation fails.

User Response: If appropriate, use the DEFINE DRIVE command to place the device in the specified library. If appropriate, correct the problem with the MOUNT exit program and use the UPDATE EXIT command to notify the server that the exit has been changed.

ANR8288W (HP-UX)

Unable to establish Shared Memory connection - insufficient memory.

Explanation: The server cannot accept a client session due to a memory allocation request failure.

System Action: Server operation continues, but the session request for this session fails.

User Response: Ensure that there is sufficient paging space for HP-UX. You may also use SAM to determine if the number of applications is causing a memory shortage. You may also wish to cut down on the maximum number of sessions that the server can accept with the MAXSESSIONS option in the server options file.

ANR8288W (Solaris)

Unable to establish Shared Memory connection - insufficient memory.

Explanation: The server cannot accept a client session due to a memory allocation request failure.

System Action: Server operation continues, but the session request for this session fails.

User Response: Ensure that there is sufficient swap space for Solaris. You may also wish to cut down on the maximum number of sessions that the server can accept with the MAXSESSIONS option in the server options file.

ANR8289W (AIX)

Shared Memory driver is terminating due to error in creating a new thread.

Explanation: The server cannot initialize due to the inability to create a new thread of execution.

System Action: Server operation continues, but Shared Memory communications is inoperative.

User Response: The most likely cause is a lack of memory. Ensure that there is sufficient paging space for AIX. You may also use SMIT to determine if the number of applications is causing a memory shortage. You may also wish to cut down on the maximum number of sessions that the server can accept with the MAXSESSIONS option in the server options file.

ANR8289E (AS/400)

Request number: **Volume volume name cannot be mounted on device device name.**

Explanation: The designated device has been provided to the server by the MOUNT exit program, but the attributes of the designated volume do not match the attributes of the device. The volume cannot be mounted on the device.

System Action: Server operation continues, but this media operation fails.

User Response: Correct the problem with the MOUNT exit program and use the UPDATE EXIT command to notify the server that the exit has been changed.

ANR8289W (HP-UX)

Shared Memory driver is terminating due to error in creating a new thread.

Explanation: The server cannot initialize due to the inability to create a new thread of execution.

System Action: Server operation continues, but Shared Memory communications is inoperative.

User Response: The most likely cause is a lack of memory. Ensure that there is sufficient paging space for HP-UX. You may also use SAM to determine if the number of applications is causing a memory shortage. You may also wish to cut down on the maximum number of sessions that the server can accept with the MAXSESSIONS option in the server options file.

ANR8289W (Solaris)

Shared Memory driver is terminating due to error in creating a new thread.

Explanation: The server cannot initialize due to the inability to create a new thread of execution.

System Action: Server operation continues, but Shared Memory communications is inoperative.

User Response: The most likely cause is a lack of memory. Ensure that there is sufficient swap space for Solaris. You may also wish to cut down on the maximum number of sessions that the server can accept with the MAXSESSIONS option in the server options file.

ANR8290W (AIX)

Error sending data through Shared Memory. Reason return code.

Explanation: The server experienced an error return code while sending data through shared memory. This may be a normal event if either side of the connection is abruptly ended.

System Action: The session is ended. Server operation continues.

User Response: If the session is ended as a result of intentionally stopping either the client or server, no response is required.

ANR8290E (AS/400)

Request number: Device Device name is not available in library Library name.

Explanation: The designated device has been provided to the server by the MOUNT exit program, but the device is not available to carry out an attempted operation in the given library. The device can be unavailable for the following reasons. The device may already be in use by the server. The device may already be in use by another job or another system. The AS/400 status of the device may render it unavailable to the server. An additional message is issued by the server.

System Action: Server operation continues, but this media operation fails.

User Response: Correct the problem with the MOUNT exit program and use the UPDATE EXIT command to notify the server that the exit has been changed.

ANR8290W (HP-UX)

Error sending data through Shared Memory. Reason *return code.*

Explanation: The server experienced an error return code while sending data through shared memory. This may be a normal event if either side of the connection is abruptly ended.

System Action: The session is ended. Server operation continues.

User Response: If the session is ended as a result of intentionally stopping either the client or server, no response is required.

ANR8290W (Solaris)

Error sending data through Shared Memory. Reason *return code.*

Explanation: The server experienced an error return code while sending data through shared memory. This may be a normal event if either side of the connection is abruptly ended.

System Action: The session is ended. Server operation continues.

User Response: If the session is ended as a result of intentionally stopping either the client or server, no response is required.

ANR8290I (Windows NT)

IPX/SPX driver ready for connection with clients on socket *IPX socket number.*

Explanation: The server is now able to accept sessions with clients using the IPX/SPX protocol on the indicated socket number.

System Action: Server operation continues.

User Response: None.

ANR8291W (AIX)

Error receiving data through Shared Memory. Reason *return code.*

Explanation: The server experienced an error return code while receiving data through the Shared Memory protocol. This may be a normal event if either side of the connection is abruptly ended.

System Action: The session is ended. Server operation continues.

User Response: If the session is ended as a result of intentionally stopping either the client or server, no response is required.

ANR8291W (AS/400)

Number of automated library slots (slots in use) exceeds license terms (slots licensed).

Explanation: The number of slots in use within automated libraries exceeds the licensed value.

System Action: The operation completes.

User Response: Contact your service representative to update license values for slots in automated libraries, or reduce the number of slots in use by issuing CHECKOUT LIBVOLUME commands as necessary.

ANR8291W (HP-UX)

Error receiving data through Shared Memory. Reason *return code.*

Explanation: The server experienced an error return code while receiving data through the Shared Memory protocol. This may be a normal event if either side of the connection is abruptly ended.

System Action: The session is ended. Server operation continues.

User Response: If the session is ended as a result of intentionally stopping either the client or server, no response is required.

ANR8291W (Solaris)

Error receiving data through Shared Memory. Reason *return code.*

Explanation: The server experienced an error return code while receiving data through the Shared Memory protocol. This may be a normal event if either side of the connection is abruptly ended.

System Action: The session is ended. Server operation continues.

User Response: If the session is ended as a result of intentionally stopping either the client or server, no response is required.

ANR8291W (Windows NT)

Unable to bind to IPX/SPX master socket. Return code = *return code*.

Explanation: The server cannot initiate communications on the socket number designated for its use.

System Action: Server operation continues, but communications using the IPX/SPX protocol is inoperative.

User Response: Ensure that SPX has been configured to run on this system through the requester configuration program. Ensure that there is no other instance of the server running on the same system that is using the same socket number. This is likely to be the case if the return code is zero. Also ensure that the number of SPX sessions (as specified in your NET.CFG file) has not been exceeded through other applications using the IPX/SPX protocol.

ANR8292W (AIX)

Session terminated when no data was read through Shared Memory.

Explanation: The server is unable to read data from Shared Memory. This may be a normal event if either side of the connection is abruptly ended.

System Action: The session is ended. Server operation continues.

User Response: If the session is ended as a result of intentionally stopping either the client or server, no response is required.

ANR8292E (AS/400)

CHECKIN LIBVOLUME not permitted with current license terms.

Explanation: The CHECKIN LIBVOLUME command is not permitted because the current license terms do not allow it.

System Action: The command fails.

User Response: Contact your service representative to update license values for slots in automated libraries, or reduce the number of slots in use by issuing CHECKOUT LIBVOLUME commands as necessary.

ANR8292W (HP-UX)

Session terminated when no data was read through Shared Memory.

Explanation: The server is unable to read data from Shared Memory. This may be a normal event if either side of the connection is abruptly ended.

System Action: The session is ended. Server operation continues.

User Response: If the session is ended as a result of intentionally stopping either the client or server, no response is required.

ANR8292W (Solaris)

Session terminated when no data was read through Shared Memory.

Explanation: The server is unable to read data from Shared Memory. This may be a normal event if either side of the connection is abruptly ended.

System Action: The session is ended. Server operation continues.

User Response: If the session is ended as a result of intentionally stopping either the client or server, no response is required.

ANR8292W (Windows NT)

IPX/SPX connection terminated - insufficient memory.

Explanation: The server cannot accept a client session due to a memory allocation request failure.

System Action: Server operation continues.

User Response: The most likely cause is a lack of memory. Ensure that there is sufficient space for the Windows NT paging file. Click on the system icon in the Windows NT control panel and then click on the virtual memory button. Refer to the on-line help for instructions on how to increase the amount of virtual memory. You may also wish to cut down on the maximum number of sessions that the server can accept with the MAXSESSIONS option in the server options file.

ANR8293W (AIX)

Shared Memory driver unable to initialize due to socket initialization error.

Explanation: While initializing Shared Memory communications, the server failed to set up an interface with TCP/IP.

System Action: Server operation continues, but the server cannot accept sessions from clients using the Shared Memory protocol.

User Response: Ensure that TCP/IP has been started and is active on your system. You may issue the TCP/IP ping command to your own address to verify that TCP/IP is both started and active.

ANR8293E (AS/400)

This server is not licensed to support the *device type* device type. Device Support Module *module number* is required.

Explanation: A DEFINE DRIVE command or a volume mount operation cannot be processed because the server is not licensed to support the required device type.

System Action: The operation fails.

User Response: Contact your service representative to update the server license terms so that support for the required device type is enabled.

ANR8293W (HP-UX)

Shared Memory driver unable to initialize due to socket initialization error.

Explanation: While initializing Shared Memory communications, the server failed to set up an interface with TCP/IP.

System Action: Server operation continues, but the server cannot accept sessions from clients using the Shared Memory protocol.

User Response: Ensure that TCP/IP has been started and is active on your system. You may issue the TCP/IP ping command to your own address to verify that TCP/IP is both started and active.

ANR8293W (Solaris)

Shared Memory driver unable to initialize due to socket initialization error.

Explanation: While initializing Shared Memory communications, the server failed to set up an interface with TCP/IP.

System Action: Server operation continues, but the server cannot accept sessions from clients using the Shared Memory protocol.

User Response: Ensure that TCP/IP has been started and is active on your system. You may issue the TCP/IP ping command to your own address to verify that TCP/IP is both started and active.

ANR8293W (Windows NT)

IPX/SPX driver unable to initialize due to error in LISTENing on the master socket, return code = *return code*.

Explanation: While attempting to listen for session requests from clients using IPX/SPX, the server encountered an error.

System Action: Server operation continues, but the server cannot accept additional sessions from clients using the IPX/SPX protocol.

User Response: Ensure that IPX/SPX is still running properly and that it has not been intentionally or unintentionally stopped. This may be done by using the getipxad command to determine if an endpoint can still be opened and bound; also determine if you can still connect to a NetWare server.

ANR8294W (AIX)

Shared Memory session unable to initialize.

Explanation: While initializing a Shared Memory communications session, an error occurred during initial setup.

System Action: Server operation continues, but the session is terminated.

User Response: Contact your service representative for assistance in resolving the error.

ANR8294E (AS/400)

This server is not licensed to support library *device name*. Device Support Module *module number* is required.

Explanation: Either a DEFINE LIBRARY command, a volume mount operation, or library initialization cannot be processed because the server is not licensed to support the given library.

System Action: The operation fails.

User Response: Contact your service representative to update the server license terms so that support for the given library device is enabled.

ANR8294W (HP-UX)

Shared Memory session unable to initialize.

Explanation: While initializing a Shared Memory communications session, an error occurred during initial setup.

System Action: Server operation continues, but the session is terminated.

User Response: Contact your service representative for assistance in resolving the error.

ANR8294W (Solaris)

Shared Memory session unable to initialize.

Explanation: While initializing a Shared Memory communications session, an error occurred during initial setup.

System Action: Server operation continues, but the session is terminated.

User Response: Contact your service representative for assistance in resolving the error.

ANR8294W (Windows NT)

Unable to establish IPX/SPX connection - accept error. Return code = *lli error*.

Explanation: The server cannot accept a client session due to a failure in accepting the connection from IPX/SPX.

System Action: Server operation continues, but this session request fails.

User Response: Ensure that SPX has been configured to run on this system through the requester configuration program. Ensure that there is no other instance of the server running on the same system that is using the same socket number. Also ensure that the number of SPX sessions has not been exceeded through other applications using the IPX/SPX protocol, such as NetWare applications.

ANR8295W (AIX)

Shared Memory driver unable to initialize due to error in BINDing to Port *port*, reason code *reason code*.

Explanation: While initializing Shared Memory communications, the server failed to connect to a master socket on which to listen for clients. The reason code is the return code from the TCP/IP bind API.

System Action: Server operation continues, but the server cannot accept sessions from clients using the Shared Memory protocol.

User Response: Ensure that no application is using the port number specified in the server options file with the SHMPORT option by issuing the TCP/IP netstat command. If the server was brought down and client sessions were active, it may be necessary to terminate the client sessions on the client systems before the port can be freed.

ANR8295E (AS/400)

Command: Current license terms do not permit this operation.

Explanation: The specified command failed because the current license terms do not permit it.

System Action: The operation fails.

User Response: Contact your service representative to update the server license terms so that the requested operation can be processed.

ANR8295W (HP-UX)

Shared Memory driver unable to initialize due to error in BINDing to Port port, reason code *reason code*.

Explanation: While initializing Shared Memory communications, the server failed to connect to a master socket on which to listen for clients. The reason code is the return code from the TCP/IP bind API.

System Action: Server operation continues, but the server cannot accept sessions from clients using the Shared Memory protocol.

User Response: Ensure that no application is using the port number specified in the server options file with the SHMPORT option by issuing the TCP/IP netstat command. If the server was brought down and client sessions were active, it may be necessary to terminate the client sessions on the client systems before the port can be freed.

ANR8295W (Solaris)

Shared Memory driver unable to initialize due to error in BINDing to Port port, reason code *reason code*.

Explanation: While initializing Shared Memory communications, the server failed to connect to a master socket on which to listen for clients. The reason code is the return code from the TCP/IP bind API.

System Action: Server operation continues, but the server cannot accept sessions from clients using the Shared Memory protocol.

User Response: Ensure that no application is using the port number specified in the server options file with the SHMPORT option by issuing the TCP/IP netstat command. If the server was brought down and client sessions were active, it may be necessary to terminate the client sessions on the client systems before the port can be freed.

ANR8295W (Windows NT)

Error sending data on session *session number*. **Reason** *return code*.

Explanation: The server experiences an error return code from IPX/SPX while sending data on the indicated session. This may be a normal event if either side of the connection is abruptly ended.

System Action: The session is ended. Server operation continues.

User Response: If the session is ended as a result of intentionally stopping either the client or server, no response is required. Otherwise, ensure that IPX/SPX is still active.

ANR8296W (AIX)

Shared Memory driver unable to initialize due to error in LISTENing on the specified Port, reason code *reason code*.

Explanation: While attempting to listen for session requests from clients using TCP/IP, TCP/IP returns an error. The reason code is the return code from the TCP/IP listen API.

System Action: Server operation continues, but the server cannot accept additional sessions from clients using the Shared Memory protocol.

User Response: Ensure that TCP/IP is running properly by issuing the TCP/IP netstat -s and ping commands to other nodes on your network. It may be possible to bring the server down and restart it to allow additional client sessions to start.

ANR8296E (AS/400)

Selecting swap volume to be checked out of library *library name*.

Explanation: A CHECKIN LIBVOL command was issued for a library that has no empty slots to hold the new cartridge. The SWAP=YES parameter was included in the command.

System Action: A CHECKOUT LIBVOL command will be automatically issued, specifying either a scratch volume or, if there are none, a volume with the lowest number of mounts.

User Response: When the CHECKOUT LIBVOL command completes, remove the swapped volume from the library and store it in a safe place. Issue a REPLY command to tell the server that the volume has been removed. The volume can be introduced back into the library with the CHECKIN LIBVOLUME command.

ANR8296W (HP-UX)

Shared Memory driver unable to initialize due to error in LISTENing on the specified Port, reason code *reason code*.

Explanation: While attempting to listen for session requests from clients using TCP/IP, TCP/IP returns an error. The reason code is the return code from the TCP/IP listen API.

System Action: Server operation continues, but the server cannot accept additional sessions from clients using the Shared Memory protocol.

User Response: Ensure that TCP/IP is running properly by issuing the TCP/IP netstat -s and ping commands to other nodes on your network. It may be possible to bring the server down and restart it to allow additional client sessions to start.

ANR8296W (Solaris)

Shared Memory driver unable to initialize due to error in LISTENing on the specified Port, reason code *reason code*.

Explanation: While attempting to listen for session requests from clients using TCP/IP, TCP/IP returns an error. The reason code is the return code from the TCP/IP listen API.

System Action: Server operation continues, but the server cannot accept additional sessions from clients using the Shared Memory protocol.

User Response: Ensure that TCP/IP is running properly by issuing the TCP/IP netstat -s and ping commands to other nodes on your network. It may be possible to bring the server down and restart it to allow additional client sessions to start.

ANR8297W (AIX)

Shared Memory driver is terminating due to error in accepting a new session, reason code *reason code*.

Explanation: While attempting to accept a session request from a client using the Shared Memory protocol, TCP/IP returns an error. The reason code is the return code from the TCP/IP accept API.

System Action: Server operation continues, but the server cannot accept additional sessions from clients using the Shared Memory protocol.

User Response: Ensure that TCP/IP is running properly. This may be done by issuing the TCP/IP netstat -s and ping commands to other nodes on your network. It may be possible to bring the server down and restart it to allow additional client sessions to start.

ANR8297I (AS/400)

Request number: device type **volume** *volume name* **is required for use in library** *library name*; **CHECKIN LIBVOLUME required within** *time limit* **minutes.**

Explanation: A mount request has been made for a volume that is defined in a storage pool, but which is currently checked out of the given library.

System Action: The server waits until it detects that the volume has been checked into the library, or the time limit expires.

User Response: Obtain the required volume, and insert it into the library by issuing a CHECKIN LIBVOLUME command. Use the SWAP=YES option of the CHECKIN LIBVOLUME command if the library is currently full. This process allows the server to select an appropriate volume to be swapped out to make room for the required volume.

ANR8297W (HP-UX)

Shared Memory driver is terminating due to error in accepting a new session, reason code *reason code*.

Explanation: While attempting to accept a session request from a client using the Shared Memory protocol, TCP/IP returns an error. The reason code is the return code from the TCP/IP accept API.

System Action: Server operation continues, but the server cannot accept additional sessions from clients using the Shared Memory protocol.

User Response: Ensure that TCP/IP is running properly. This may be done by issuing the TCP/IP netstat -s and ping commands to other nodes on your network. It may be possible to bring the server down and restart it to allow additional client sessions to start.

ANR8297W (Solaris)

Shared Memory driver is terminating due to error in accepting a new session, reason code *reason code*.

Explanation: While attempting to accept a session request from a client using the Shared Memory protocol, TCP/IP returns an error. The reason code is the return code from the TCP/IP accept API.

System Action: Server operation continues, but the server cannot accept additional sessions from clients using the Shared Memory protocol.

User Response: Ensure that TCP/IP is running properly. This may be done by issuing the TCP/IP netstat -s and ping commands to other nodes on your network. It may be possible to bring the server down and restart it to allow additional client sessions to start.

ANR8298I (AS/400)

Request number: Mount of device type volume volume name mount mode waiting for completion of exit type EXIT exit name.

Explanation: The server is waiting for the specified exit program to complete.

System Action: The server waits for the exit to complete.

User Response: None.

ANR8299I (AS/400)

Request number: Waiting for mount of device type volume volume name mount mode on drive drive name in library library name.

Explanation: The server is waiting for the specified volume mount to complete.

System Action: The server waits for the mount to complete.

User Response: None.

ANR8300E **I/O error on library** *library name (OP=internal code, CC=internal code, KEY=internal code, ASC=internal code, ASCQ=internal code, SENSE=sense data, Description=error description)*. **Refer to Appendix B in the 'Messages' manual for recommended action.**

Explanation: An I/O error has occurred while operating on the designated library device.

System Action: The operation fails.

User Response: Ensure that the DEVICE parameter associated with the library was identified correctly in the DEFINE LIBRARY command, and that the library device is currently powered on and ready. If the library has an access door, make sure it is closed. The drive or library reference manual provided with the device usually contain tables that explain the values of the KEY, ASC, and ASCQ fields. If the problem persists, contact your service representative and provide the internal code values and sense data from this message.

ANR8300I (AS/400)

Request number: Select a device type device in library library name within time limit minutes.

Explanation: The server requires the selection of an appropriate device in the designated library within the specified time limit. See associated messages for a list of device names.

System Action: The server waits for a device to be selected.

User Response: Choose a device from the list within the time limit. Use the REPLY command to communicate the device name to the server.

ANR8301E **I/O error on library** *library name (OP=internal code, SENSE=internal code)*.

Explanation: An I/O error has occurred while operating on the designated library device.

System Action: The operation fails.

User Response: Ensure that the DEVICE parameter associated with the library was identified correctly in the DEFINE LIBRARY command, and that the library device is currently powered on and ready. If the library has an access door, make sure it is closed. If the problem persists, contact your service representative and provide the internal code values from this message.

ANR8301E (AS/400)

Error on library *library name: MLD message.*

Explanation: An error has occurred while operating on the designated library device.

System Action: The operation fails.

User Response: Ensure that the MLD parameter associated with the library has been identified correctly in the DEFINE LIBRARY command, and that the library device is currently powered on and ready. If the library has an access door, make sure it is closed. If the problem persists, contact your service representative and provide the values from this message. The values can be found in *Media Library Device Driver for Application System/400*, GC35-0153.

ANR8302E

I/O error on drive *drive name (OP=internal code, CC=internal code, KEY=internal code, ASC=internal code, ASCQ=internal code, SENSE=sense data, Description=error description).* **Refer to Appendix B in the 'Messages' manual for recommended action.**

Explanation: An I/O error has occurred while operating on the designated drive.

System Action: The operation fails.

User Response: Ensure that the DEVICE parameter associated with the drive was identified correctly in the DEFINE DRIVE command, and that the device is currently powered on and ready. The drive or library reference manual provided with the device usually contain tables that explain the values of the KEY, ASC, and ASCQ fields. If the problem persists, contact your service representative and provide the internal code values and sense data from this message.

ANR8302I (AS/400)

Request number: Mount device type volume volume name mount mode on an appropriate device in library library name within time limit minutes.

Explanation: The server requires that the specified volume be mounted on an appropriate device in the designated library. See associated messages for a list of device names. The value of volume name can be either a specific volume or a nonspecific volume (scratch). If volume name is SCRATCH, EXPORT.n, or DUMP.n, you should mount a scratch volume. The value 'n' denotes the sequence number of the scratch volume being requested for DUMP DB or EXPORT operations.

System Action: The server waits for the volume to be mounted.

User Response: Mount the volume on an appropriate device in the specified library within the time limit. Use the REPLY command to communicate the device name to the server.

ANR8303E **I/O error on drive** *drive name* (**OP**=*internal code*, **SENSE**=*internal code*).

Explanation: An I/O error has occurred while operating on the designated drive.

System Action: The operation fails.

User Response: Ensure that the DEVICE parameter associated with the drive was identified correctly in the DEFINE DRIVE command, and that the device is currently powered on and ready. If the problem persists, contact your service representative and provide the internal code values from this message.

ANR8303I (AS/400)

Request number: device list

Explanation: This message provides a list of devices that have the necessary attributes to satisfy the associated mount request.

System Action: The server lists all of the devices defined in the given library.

User Response: None.

ANR8304E **Time out error on drive** *drive name* **in library** *library name*.

Explanation: A time out condition occurred while waiting for the given drive to become ready so that automated library operations could be performed.

System Action: The operation fails.

User Response: Ensure that the DEVICE parameter associated with the drive was identified correctly in the DEFINE DRIVE command, and that the device is currently powered on and ready.

ANR8304E (AS/400)

Time-out error on drive *drive name* **in library** *library name*.

Explanation: A time-out condition has occurred while waiting for the specified drive to become ready so that automated library operations can be performed.

System Action: The operation fails.

User Response: Ensure that the DEVICE parameter associated with the drive has been identified correctly in the DEFINE DRIVE command, and that the device is currently powered on and ready.

ANR8305E **Library** *library name* **is not ready or not operational.**

Explanation: The specified automated library device is either not ready or not in an operational state.

System Action: Initialization of the library device fails.

User Response: Ensure that the library is powered on and ready for automated operations. Further initialization attempts for the given library will usually be postponed until the next attempt is made to access the library for an automated operation. During server startup, however, initialization may be retried after a short waiting period.

ANR8305E (AS/400)

Command: Category already exists.

Explanation: The category cannot be created because it already exists.

System Action: The server does not process the command.

User Response: None.

ANR8306I

Request number: Insert device type volume volume name mount mode into the slot with element number slot element of library library name within time limit</mv> minutes; issue 'REPLY' along with the request ID when ready.

Explanation: A CHECKIN LIBVOLUME or a LABEL LIBVOLUME command is in progress, and the specified volume is needed. The server expects the volume to be inserted into the slot with the specified element number of the given library within the time limit specified in the message. For the slot and element number diagram of your library, refer to the documentation provided with the current ptf level or refer to the *Administrator's Guide* for your release and platform.

System Action: The server waits until a REPLY command is issued, or until the time limit expires.

User Response: Insert the volume into the slot and issue a REPLY command, along with the request ID, to tell the server that the volume has been inserted.

ANR8306E (AS/400)

Command: Device device name is not defined in library library name.

Explanation: The designated device has not been defined in the given library.

System Action: The server does not process the command.

User Response: Reissue the command and specify a different device name. If appropriate, use the DEFINE DRIVE command to place the device in the specified library before reissuing the command.

ANR8307I *Request number:* **Remove device type volume volume name from slot with element number slot name of library library name; issue 'REPLY' along with the request ID when ready.**

Explanation: A CHECKOUT LIBVOLUME command has completed. You can remove the volume from the slot with the specified element number and store it outside the library. For the slot and element number diagram of your library, refer to the documentation provided with the current ptf level or refer to the *Administrator's Guide* manual for your release and platform.

System Action: The server waits until a REPLY command is issued.

User Response: Remove the volume from the slot and store it in a safe place. Issue a REPLY command, along with the request ID, to tell the server that the volume has been removed. The volume can be returned to the library with the CHECKIN LIBVOLUME command.

ANR8307E (AS/400)

Command: **Volume volume name cannot be mounted on device device name.**

Explanation: The attributes of the designated volume do not match the attributes of the specified device. The volume cannot be mounted on the device.

System Action: The server does not process the command.

User Response: Reissue the command and specify a different device name.

ANR8308I *Request number:* **device type volume volume name is required for use in library library name; CHECKIN LIBVOLUME required within time limit minutes.**

Explanation: A mount request has been made for a volume that is defined in a storage pool, but which is currently checked out of the given library.

System Action: The server waits until it detects that the volume has been checked into the library, or the time limit expires.

User Response: Obtain the required volume, and insert it into the library by issuing a CHECKIN LIBVOLUME command. Use the SWAP=YES option of the CHECKIN LIBVOLUME command if the library is currently full; this process allows the server to select an appropriate volume to be swapped out in order to make room for the required volume.

ANR8308E (AS/400)

Request number: **Incorrect volume inserted into library library name.**

Explanation: The user has inserted the wrong volume into the indicated library.

System Action: The volume is ejected, and the server continues to wait for the requested volume to be inserted.

User Response: Ensure that the requested volume is inserted properly into the designated library.

ANR8309E **Mount attempt failed - library *library name* is not defined.**

Explanation: An attempt has been made to mount a volume, but the attempt fails because the specified library is not defined.

System Action: The operation fails.

User Response: Ensure that the LIBRARY attribute of the device class associated with the mount operation identifies a defined library. If not, correct the value of the LIBRARY attribute, or define the specified library and retry the operation.

ANR8309E (AS/400)

Mount attempt failed - library *library name* is not defined.

Explanation: An attempt has been made to mount a volume, but the attempt fails because the specified library is not defined.

System Action: The operation fails.

User Response: Ensure that the LIBRARY parameter of the device class associated with the mount operation identifies a defined library. If not, correct the value of the LIBRARY parameter or define the specified library.

ANR8310E **An I/O error occurred while accessing library *library name*.**

Explanation: An I/O error occurs while accessing the designated library.

System Action: The operation fails.

User Response: Ensure that the DEVICE parameter associated with the library is identified correctly in the DEFINE LIBRARY command, and that the library is currently powered on and ready. If the library has an access door, make sure it is closed. After checking and correcting these potential problems, retry the operation.

ANR8310E (AS/400)

An I/O error occurred while accessing library *library name*.

Explanation: An I/O error occurs while accessing the designated library.

System Action: The operation fails.

User Response: Ensure that the MLD parameter associated with the library is identified correctly in the DEFINE LIBRARY command, and that the library is currently powered on and ready. If the library has an access door, make sure it is closed. After checking and correcting these potential problems, try the operation again.

ANR8311E **An I/O error occurred while accessing drive** *drive name* **for low-level operation operation, errno =** *drive errno*.

Explanation: An I/O error occurs while performing the operation on the specified drive.

System Action: The operation fails.

User Response: Ensure that the DEVICE parameter associated with the drive is identified correctly in the DEFINE DRIVE command, and that the drive is currently powered on and ready. After checking and correcting these potential problems, retry the operation.

ANR8311E (AS/400)

An I/O error occurred while accessing drive *drive name*.

Explanation: An I/O error occurs while accessing the specified drive.

System Action: The operation fails.

User Response: Ensure that the DEVICE parameter associated with the drive is identified correctly in the DEFINE DRIVE command, and that the drive is currently powered on and ready. After checking and correcting these potential problems, try the operation again.

ANR8312E **Volume** *volume name* **could not be located in library** *library name*.

Explanation: The designated volume cannot be found at its expected location in the given library.

System Action: The operation fails.

User Response: Perform an AUDIT LIBRARY operation on the designated library, which forces the server to reevaluate its inventory information for volumes in the library.

ANR8312E (AS/400)

Volume *volume name* **could not be located in library** *library name*.

Explanation: The designated volume cannot be found at its expected location in the specified library.

System Action: The operation fails.

User Response: Perform an AUDIT LIBRARY operation on the designated library, and force the server to reevaluate its inventory information for volumes in the library.

ANR8313E **Volume** *volume name* **is not present in library** *library name*.

Explanation: A mount request is made for the given volume in the specified library, but the volume is not currently checked into the library.

System Action: The mount operation fails. If the volume is being mounted for storage pool I/O (as opposed to import/export I/O), its ACCESS attribute is changed to UNAVAILABLE to prevent further mount requests.

User Response: Issue a CHECKIN LIBVOLUME command to return the volume into the library, and update the volumes ACCESS attribute to READONLY or READWRITE using the UPDATE VOLUME command. Retry the mount request.

ANR8313E (AS/400)

Volume *volume name* **is not present in library** *library name*.

Explanation: A mount request is made for the given volume in the specified library, but the volume is not currently checked into the library.

System Action: The mount operation fails. If the volume is being mounted for storage pool I/O (as opposed to import/export I/O), its ACCESS attribute is changed to UNAVAILABLE to prevent further mount requests.

User Response: Issue a CHECKIN LIBVOLUME command to introduce the volume into the library, and then update the volume ACCESS attribute to READONLY or READWRITE by using the UPDATE VOLUME command.

ANR8314E **Library** *library name* **is full**.

Explanation: A library operation fails because all of the library's storage locations are occupied.

System Action: The operation fails.

User Response: Issue a CHECKOUT LIBVOLUME command to make room in the library. Retry the library operation.

ANR8314E (AS/400)

Library *library name* **is full**.

Explanation: An attempt has been made to add a volume to the library. The operation fails because all of the library's storage locations are occupied.

System Action: The operation fails.

User Response: Issue a CHECKOUT LIBVOLUME command to make room in the library.

ANR8315E *Command: The device type of drive drive name is not supported in library type libraries.*

Explanation: Drives of the type identified in the command are not supported in the given type of library.

System Action: The command is not processed.

User Response: Determine whether the drive and library combination is supported by the installed level of the server. If so, contact your service representative.

ANR8315E (AS/400)

Command: The device type of drive drive name is not supported in library type libraries.

Explanation: Drives of the type identified in the command are not supported in the given type of library.

System Action: The server does not process the command.

User Response: Use a supported type of drive.

ANR8316E **Selecting swap volume to be checked out of library** *library name.*

Explanation: A CHECKIN LIBVOL command was issued for a library that has no empty slots to hold the new cartridge. The SWAP=YES parameter was included in the command.

System Action: A CHECKOUT LIBVOL command will be automatically be issued, specifying either a scratch volume or, if there are none, a volume with the lowest number of mounts.

User Response: Use a supported type of drive. volume from the library and store it in a safe place. Issue a REPLY command to tell the server that the volume has been removed. The volume can be introduced back into the library with the CHECKIN LIBVOLUME command.

ANR8316E (AS/400)

Command: The drive drive name is NOT located in the Media Library Device associated with library library name.

Explanation: The drive identified in the command is not located in the Media Library Device associated with the given library.

System Action: The server does not process the command.

User Response: Use a drive located in the Media Library Device.

ANR8317I **The volume in *device type* drive *drive name* must be manually ejected.**

Explanation: This device type does not automatically eject the volume when it is dismounted and requires that the volume be manually ejected from the drive.

System Action: None.

User Response: Physically eject the volume from the drive.

ANR8317E (AS/400)

Unable to open file *filespec* - insufficient authority.

Explanation: An attempt has been made to open the specified file, but the attempt failed because the server does not have the authority necessary to access the file. This error may occur if the server does not have the proper authority to create the given member in the specified file.

System Action: The operation fails.

User Response: Obtain the necessary authority from the security officer or the file owner and try the operation again.

ANR8318I *Request number: Mount side *side* of device type volume *volume name* mount mode in drive *drive name* of library *library name* within time limit*</ mv> *minutes.*

Explanation: The server requires that the specified volume be mounted as requested. Since the volume is two-sided, this message specifies which side (A or B) is needed by the server for I/O operations.

System Action: The server waits for the volume to be mounted.

User Response: Mount the volume in the specified drive.

ANR8318E (AS/400)

*Command: Device *device name* is not available in library *library name*.*

Explanation: The designated device is not available to carry out an attempted operation in the given library. The device can be unavailable for the following reasons. The device may already be in use by the server. The device may already be in use by another job or another system. The AS/400 status of the device may render it unavailable to the server. An additional message will have been issued by the server.

System Action: The server does not process the command.

User Response: If another device is available in the library, reissue the command using that device name. If there are idle volumes mounted in the library, use the DISMOUNT VOLUME command to free a device, and then reissue the command

using that device name. If the MOUNTWAIT value of the device class permits it, wait until a device is available in the library, and then reissue the command using that device name.

ANR8319I *Request number: Insert device type volume volume name mount mode into library library name within time limit minute(s).*

Explanation: A CHECKIN LIBVOLUME command is in progress, and the specified volume is needed. The server expects the volume to be inserted into the library with the convenience I/O station mechanism.

System Action: The server waits until the volume is in the library, or until the time limit expires.

User Response: Insert the specified volume into the library. If the volume has already been inserted into the library, no user action is necessary.

ANR8319I (AS/400)

Request number: Insert device type volume volume name mount mode into library library name within time limit minutes.

Explanation: A CHECKIN LIBVOLUME command is in progress, and the specified volume is needed. The server expects the volume to be inserted into the library with the convenience I/O station mechanism.

System Action: The server waits until the volume is in the library, or until the time limit expires.

User Response: Insert the volume into the library. If the volume has already been inserted into the library, no user action is necessary.

ANR8320I *Request number: Insert device type volume volume name mount mode in drive drive name of library library name within time limit minute(s); issue 'REPLY' along with the request ID when ready.*

Explanation: A CHECKIN LIBVOLUME or a LABEL LIBVOLUME command is in progress, and the specified volume is needed. The server expects the volume to be inserted in the designated drive of the given library within the time limit specified in the message.

System Action: The server waits until a REPLY command is issued, or until the time limit expires.

User Response: Insert the volume into the drive, and then issue a REPLY command, along with the request ID, to tell the server that the volume has been inserted.

ANR8320I (AS/400)

Request number: **Insert** device type **volume** volume name mount mode **in drive** drive name **of library** library name **within time limit** minutes; **Issue 'REPLY' when ready.**

Explanation: A CHECKIN LIBVOLUME command is in progress, and the specified volume is needed. The server expects the volume to be inserted in the designated drive of the given library within the time limit specified in the message.

System Action: The server waits until a REPLY command is issued, or until the time limit expires.

User Response: Insert the volume into the drive, and then issue a REPLY command to tell the server that the volume has been inserted.

ANR8321I

Request number: **Remove** device type **volume** volume name **from drive** drive name **of library** library name; **issue 'REPLY' along with the request ID when ready.**

Explanation: A CHECKOUT LIBVOLUME or a LABEL LIBVOLUME command has completed. You can remove the specified volume from the designated drive and store it outside the library.

System Action: The server waits until a REPLY command is issued.

User Response: Remove the volume from the drive and store it in a safe place. Issue a REPLY command, along with the request ID, to tell the server that the volume has been removed. The volume can be returned to the library with the CHECKIN LIBVOLUME command.

ANR8321I (AS/400)

Request number: **Remove** device type **volume** volume name **from drive** drive name **of library** library name; **Issue 'REPLY' when ready.**

Explanation: A CHECKOUT LIBVOLUME command has completed. You can remove the specified volume from the designated drive and store it outside the library.

System Action: The server waits until a REPLY command is issued.

User Response: Remove the volume from the drive and store it in a safe place. Then issue a REPLY command to tell the server that the volume has been removed. The volume can be checked back into the library with the CHECKIN LIBVOLUME command.

ANR8322I *Request number: Remove device type volume volume name from entry/exit port of library library name; issue 'REPLY' along with the request ID when ready.*

Explanation: A CHECKOUT LIBVOLUME command has completed. You can remove the specified volume from the entry/exit port of the given library and store it elsewhere.

System Action: The server waits until a REPLY command is issued.

User Response: Remove the volume from the library and store it in a safe place. Issue a REPLY command, along with the request ID, to tell the server that the volume has been removed. The volume can be returned to the library with the CHECKIN LIBVOLUME command.

ANR8322I (AS/400)

Request number: Remove device type volume volume name from entry/exit port of library library name; Issue 'REPLY' when ready.

Explanation: A CHECKOUT LIBVOLUME command has completed. You can remove the specified volume from the entry/exit port of the given library and store it elsewhere.

System Action: The server waits until a REPLY command is issued.

User Response: Remove the volume from the library and store it in a safe place. Then issue a REPLY command to tell the server that the volume has been removed. The volume can be checked back into the library with the CHECKIN LIBVOLUME command.

ANR8323I *Request number: Insert device type volume volume name mount mode into entry/exit port of library library name within time limit minute(s); issue 'REPLY' along with the request ID when ready.*

Explanation: A CHECKIN LIBVOLUME or a LABEL LIBVOLUME command is in progress, and the specified volume is needed. Mount the volume in the entry/exit port of the given library within the time limit specified in the message.

System Action: The server waits until a REPLY command is issued, or until the time limit expires.

User Response: Insert the volume into the library's entry/exit port; and issue a REPLY command, along with the request ID, to tell the server that the volume has been inserted.

ANR8323I (AS/400)

Request number: Insert device type volume volume name mount mode into entry/exit port of library library name within time limit minutes; Issue 'REPLY' when ready.

Explanation: A CHECKIN LIBVOLUME command is in progress, and the specified volume is needed. Mount the volume in the entry/exit port of the given library within the time limit specified in the message.

System Action: The server waits until a REPLY command is issued, or until the time limit expires.

User Response: Insert the volume into the library's entry/exit port, and then issue a REPLY command to tell the server that the volume has been inserted.

ANR8324I

Device type volume volume name is expected to be mounted (mount mode).

Explanation: The specified volume is expected to be mounted in the near future so that the server can access it for reading or writing.

System Action: None.

User Response: If the volume is stored offline, retrieve it so that it is readily accessible when the server requests that it be mounted.

ANR8324I (AS/400)

Device type volume volume name is expected to be mounted (mount mode).

Explanation: The specified volume is expected to be mounted in the near future so that the server can access it for reading or writing.

System Action: None.

User Response: If the volume is stored offline, retrieve it so that it is readily accessible when the server requests that it be mounted.

ANR8325I

Dismounting volume volume name - mount retention period minute mount retention expired.

Explanation: The specified volume is dismounted because the given mount retention period has expired.

System Action: The volume is dismounted.

User Response: None.

ANR8325I (AS/400)

Dismounting volume *volume name* - *mount retention period* **minute mount retention expired.**

Explanation: The specified volume is dismounted because the given mount retention period has expired.

System Action: The volume is dismounted.

User Response: None.

ANR8326I

Request number: Mount device type **volume** *volume name mount mode in drive drive name of library library name within time limit* **minutes.**

Explanation: If the volume name includes the names EXP, IMP, DUMP, or DBBK, the request is for a scratch volume.

System Action: The server waits for the volume to be mounted.

User Response: Mount the volume in the specified drive.

ANR8326I (AS/400)

Request number: Mount device type **volume** *volume name mount mode in drive drive name of library library name within time limit* **minutes.**

Explanation: The server requires that the specified volume be mounted as requested. The value of volume name can be either a specific volume or a nonspecific volume (scratch). If volume name is SCRATCH, EXPORT.n, or DUMP.n, you should mount a scratch volume. The value 'n' denotes the sequence number of the scratch volume being requested for DUMP DB or EXPORT operations.

System Action: The server waits for the volume to be mounted.

User Response: Mount the volume in the specified drive within the time limit. If this is a request for a SCRATCH mount, use the REPLY command to indicate to the server that a volume has been mounted.

ANR8327E

Command: Cannot cancel request *request number.*

Explanation: The request, whose number is specified by the given command, cannot be canceled. The requested operation must be completed.

System Action: The cancel request command is not processed.

User Response: Proceed with the requested operation.

ANR8327E (AS/400)

Command: **Cannot cancel request** *request number*.

Explanation: The request, whose number is specified by the given command, cannot be canceled. The requested operation must be completed.

System Action: The CANCEL REQUEST command is not processed.

User Response: Proceed with the requested operation.

ANR8328I

Request number: device type **volume** *volume name* **mounted in drive** *drive name*.

Explanation: The server verifies that a requested volume has been mounted properly in the given drive.

System Action: The volume is accessed for reading or writing, or both.

User Response: None.

ANR8328I (AS/400)

Request number: device type **volume** *volume name* **mounted in drive** *drive name*.

Explanation: The server verifies that a requested volume has been mounted properly in the given drive.

System Action: The volume can be accessed for reading or writing, or both.

User Response: None.

ANR8329I

Device type **volume** *volume name* **is mounted** *mount mode* **in drive** *drive name*,
status: IDLE.

Explanation: In response to a QUERY MOUNT command, the server indicates that the given volume is mounted in the specified drive. The volume is currently idle, meaning no active operations are being performed. If the volume remains in the idle state for the amount of time specified by the device class mount retention period, it will be automatically dismounted.

System Action: None.

User Response: None.

ANR8329I (AS/400)

Device type **volume** *volume name* **is mounted** *mount mode* **in drive** *drive name*,
status: IDLE.

Explanation: In response to a QUERY MOUNT command, the server indicates that the given volume is mounted in the specified drive. The volume is currently

idle, that is, no active operations are being performed. If the volume remains in the idle state for the amount of time specified by the device class mount retention period, it is automatically dismounted.

System Action: None.

User Response: None.

ANR8330I *Device type volume volume name is mounted mount mode in drive drive name, status: IN USE.*

Explanation: In response to a QUERY MOUNT command, the server indicates that the given volume is mounted in the specified drive. The volume is currently in use, meaning that read or write operations, or both, are being performed.

System Action: None.

User Response: None.

ANR8330I (AS/400)

Device type volume volume name is mounted mount mode in drive drive name, status: IN USE.

Explanation: In response to a QUERY MOUNT command, the server indicates that the given volume is mounted in the specified drive. The volume is currently in use, meaning that read or write operations, or both, are being performed.

System Action: None.

User Response: None.

ANR8331I *Device type volume volume name is mounted mount mode in drive drive name, status: DISMOUNTING.*

Explanation: In response to a QUERY MOUNT command, the server indicates that the given volume is mounted in the specified drive. The volume is currently being dismounted by the server.

System Action: None.

User Response: None.

ANR8331I (AS/400)

Device type volume volume name is mounted mount mode in drive drive name, status: DISMOUNTING.

Explanation: In response to a QUERY MOUNT command, the server indicates that the given volume is mounted in the specified drive. The volume is currently being dismounted by the server.

System Action: None.

User Response: None.

ANR8332I *Device type volume volume name is mounted mount mode, status: IDLE.*

Explanation: In response to a QUERY MOUNT command, the server indicates that the given volume is mounted for I/O operations. The volume is currently idle, meaning no active operations are being performed. If the volume remains in the idle state for the amount of time specified by the device class mount retention period, it will be automatically dismounted.

System Action: None.

User Response: None.

ANR8332I (AS/400)

Device type volume volume name is mounted mount mode, status: IDLE.

Explanation: In response to a QUERY MOUNT command, the server indicates that the given volume is mounted for I/O operations. The volume is currently idle, that is, no active operations are being performed. If the volume remains in the idle state for the amount of time specified by the device class mount retention period, it is automatically dismounted.

System Action: None.

User Response: None.

ANR8333I *Device type volume volume name is mounted mount mode, status: IN USE.*

Explanation: In response to a QUERY MOUNT command, the server indicates that the given volume is mounted for I/O operations. The volume is currently in use, meaning that read or write operations, or both are being performed.

System Action: None.

User Response: None.

ANR8333I (AS/400)

Device type volume volume name is mounted mount mode, status: IN USE.

Explanation: In response to a QUERY MOUNT command, the server indicates that the given volume is mounted for I/O operations. The volume is currently in use, meaning that read or write operations, or both are being performed.

System Action: None.

User Response: None.

ANR8334I *Number of volumes* **volumes found.**

Explanation: This is a summary message for the QUERY MOUNT command. It indicates the total number of mounted volumes that have been reported in the command output.

System Action: None.

User Response: None.

ANR8334I (AS/400)

Number of volumes **volumes found.**

Explanation: This is a summary message for the QUERY MOUNT command. It indicates the total number of mounted volumes that have been reported in the command output.

System Action: None.

User Response: None.

ANR8335I *Request number: Verifying label of device type* **volume volume name in drive** *drive name.*

Explanation: The server verifies the label of the volume that has been requested by an earlier mount message. This is done to ensure that the correct volume has been mounted by the operator.

System Action: The server reads the volume label and checks it for validity.

User Response: None.

ANR8335I (AS/400)

Request number: Verifying label of device type **volume volume name in drive** *drive name.*

Explanation: The server verifies the label of the volume that has been requested by an earlier mount message. This is done to ensure that the correct volume has been mounted by the operator.

System Action: The server reads the volume label and checks it for validity.

User Response: None.

ANR8336I **Verifying label of** *device type* **volume volume name in drive** *drive name.*

Explanation: The server verifies the label of a volume that is needed for read or write operations, or both. This is done to ensure that the correct volume has been mounted.

System Action: The server reads the volume label and checks it for validity.

User Response: None.

ANR8336I (AS/400)

Verifying label of device type volume volume name in drive drive name.

Explanation: The server verifies the label of a volume that is needed for read or write operations, or both. This is done to ensure that the correct volume has been mounted.

System Action: The server reads the volume label and checks it for validity.

User Response: None.

ANR8337I

Request number volume volume name mounted in drive drive name.

Explanation: The server verifies that the specified mount request has been completed properly. Read or write operations, or both, can be performed on the volume.

System Action: The label of the volume has been verified.

User Response: None.

ANR8337I (AS/400)

Request number volume volume name mounted in drive drive name.

Explanation: The server verifies that the specified mount request has been completed properly. Read or write operations, or both, can be performed on the volume.

System Action: The label of the volume has been verified.

User Response: None.

ANR8338E

Device type volume volume name cannot be overwritten by EXPORT operation.

Explanation: The specified volume already exists or contains data, so that the server cannot allow new export data to be written to it.

System Action: The server detects that the given volume already contains some data that would be overwritten by the requested export operation.

User Response: If the specified volume does not contain any valuable data, delete it and retry the export operation.

ANR8338E (AS/400)

Device type **volume** *volume name* **cannot be overwritten by operation operation.**

Explanation: The specified volume already exists or contains data so that the server cannot allow new data to be written to it.

System Action: The server detects that the given volume already contains some data that would be overwritten by the requested operation.

User Response: If the specified volume does not contain any valuable data, delete it and try the given operation again.

ANR8339E

Device type **volume** *intended volume name* **in drive** *drive name* **was replaced with volume** *incorrect volume name.*

Explanation: The server detects that a previously mounted and verified volume (the desired volume) has been replaced with a different volume (the incorrect volume). No further read or write operations, or both, can occur on the given drive, because data corruption may occur.

System Action: The server dismounts the volume from the drive.

User Response: Mount the correct volume again if it is in a manual library and retry the operation.

ANR8339E (AS/400)

Device type **volume** *intended volume name* **in drive** *drive name* **was replaced with volume** *incorrect volume name.*

Explanation: The server detects that a previously mounted and verified volume (the intended volume) has been replaced with a different volume (the incorrect volume). No further read or write operations, or both, can occur on the given drive because data corruption may occur.

System Action: The server dismounts the volume from the drive.

User Response: None.

ANR8340I

Device type **volume** *volume name* **mounted.**

Explanation: The server has mounted the given volume.

System Action: Read or write operations, or both, will commence for the volume.

User Response: None.

ANR8340I (AS/400)

Device type volume volume name mounted.

Explanation: The server has mounted the given volume.

System Action: Read or write operations, or both, will commence for the volume.

User Response: None.

ANR8341I

End-of-volume reached for *device type volume volume name.*

Explanation: The server has detected an end-of-volume condition for the given volume.

System Action: The volume is marked full. If more data must be stored, the server will access another volume for it.

User Response: None.

ANR8341I (AS/400)

End-of-volume reached for *device type volume volume name.*

Explanation: The server has detected an end-of-volume condition for the given volume.

System Action: The volume is marked full. If more data must be stored, the server will access another volume to store it.

User Response: None.

ANR8342I

Request request number for volume volume name canceled by *administrator name.*

Explanation: A mount request is canceled by the given administrator.

System Action: The system cancels the mount request.

User Response: None.

ANR8342I (AS/400)

Request request number for volume volume name canceled by *administrator name.*

Explanation: A mount request is canceled by the given administrator.

System Action: The system cancels the mount request.

User Response: None.

ANR8343I **Request** *request number for volume volume name canceled (PERMANENT) by administrator name.*

Explanation: A mount request is successfully canceled with the PERMANENT option.

System Action: The system cancels the mount request and marks the volume as unavailable.

User Response: None.

ANR8343I (AS/400)

Request *request number for volume volume name canceled (PERMANENT) by administrator name.*

Explanation: A mount request is successfully canceled with the PERMANENT option by the given administrator.

System Action: The system cancels the mount request and marks the volume as unavailable.

User Response: None.

ANR8344E **Command: Invalid request number - request number.**

Explanation: A command has been entered with an incorrect request number.

System Action: The server does not process the command.

User Response: Issue the command with the correct request number.

ANR8344E (AS/400)

Command: Invalid request number - request number.

Explanation: A command has been entered with an incorrect request number.

System Action: The server does not process the command.

User Response: Issue the command with the correct request number.

ANR8345E **Command: No match found for this request number.**

Explanation: The request number specified by the command is not in the list of outstanding mount requests.

System Action: The server does not process the command.

User Response: Issue the command with the correct request number.

ANR8345E (AS/400)

Command: No match found for this request number.

Explanation: The request number specified by the command is not in the list of outstanding mount requests.

System Action: The server does not process the command.

User Response: Issue the command with the correct request number.

ANR8346I

Command: No requests are outstanding.

Explanation: A QUERY REQUEST or CANCEL REQUEST command has been entered although no mount requests are outstanding.

System Action: Server operation continues.

User Response: None.

ANR8346I (AS/400)

Command: No requests are outstanding.

Explanation: A QUERY REQUEST or CANCEL REQUEST command has been entered although no mount requests are outstanding.

System Action: Server operation continues.

User Response: None.

ANR8347E

*Command: Volume *volume* not found.*

Explanation: A DISMOUNT VOLUME command is issued, but the volume to be dismounted cannot be found.

System Action: Server operation continues.

User Response: Ensure that the correct volume name is entered.

ANR8347E (AS/400)

*Command: Volume *volume* not found.*

Explanation: A DISMOUNT VOLUME command is issued, but the volume to be dismounted cannot be found.

System Action: Server operation continues.

User Response: Ensure that the correct volume name is entered.

ANR8348E

Command: Volume volume is not "Idle".

Explanation: A DISMOUNT VOLUME command has been issued, but the volume is still in use and cannot be dismounted.

System Action: Server operation continues.

User Response: If it is necessary to dismount the volume, cancel the session or process that is using the volume, and reissue the command.

ANR8348E (AS/400)

Command: Volume volume is not "Idle".

Explanation: A DISMOUNT VOLUME command has been issued, but the volume is in use and cannot be dismounted.

System Action: Server operation continues.

User Response: If it is necessary to dismount the volume, cancel the session or process that is using the volume, and reissue the DISMOUNT VOLUME command.

ANR8349E

Command: Device device not found.

Explanation: A DISMOUNT DEVICE command has been issued, but the device to be dismounted cannot be found.

System Action: Server operation continues.

User Response: Ensure that the correct device has been specified.

ANR8349E (AS/400)

Command: Cannot reply to request request number.

Explanation: The state of the request, whose number is specified by the given command, does not permit the use of the REPLY command.

System Action: The REPLY command is not processed.

User Response: The REPLY command is invalid for the current state of the specified request. The outstanding request must be satisfied by using your installation's procedures.

ANR8350E

Command: Device device is not "Idle".

Explanation: A DISMOUNT DEVICE command has been issued, but the device is still in use and cannot be dismounted.

System Action: Server operation continues.

User Response: If it is necessary to dismount the device, cancel the session or process that is using the device, and reissue the command.

ANR8350E (AS/400)

Command: Device *device* is not "Idle".

Explanation: A DISMOUNT DEVICE command has been issued, but the device is in use and cannot be dismounted.

System Action: Server operation continues.

User Response: If it is necessary to dismount the device, cancel the session or process that is using the device, and reissue the DISMOUNT DEVICE command.

ANR8351E

Request number: Mount request for volume *volume name* has timed out.

Explanation: The mount request has not been satisfied in the requested time.

System Action: The server fails the mount request.

User Response: Retry the mount request and ensure that the volume is mounted within the time limit for the manual library. For an automated library, retry the mount request and increase the mount wait time for the device class.

ANR8351E (AS/400)

Request number: Mount request for volume *volume name* has timed out.

Explanation: The mount request has not been performed in the requested time.

System Action: The server fails the mount request.

User Response: None.

ANR8352I

Requests outstanding:

Explanation: This message provides a list of currently outstanding mount requests.

System Action: The server lists all outstanding mount requests or the one specified on the QUERY REQUEST command.

User Response: None.

ANR8352I (AS/400)

Requests outstanding:

Explanation: This message provides a list of currently outstanding mount requests.

System Action: The server lists all outstanding mount requests or the one specified on the QUERY REQUEST command.

User Response: None.

ANR8353E

Request number: I/O error reading label of volume in drive drive name.

Explanation: The server detects an error while reading the volume label from the volume in the specified drive.

System Action: The volume is ejected, and the server continues to wait for the requested volume to be mounted.

User Response: Ensure the following:

- The requested volume is properly inserted in the designated drive.
- The volume has been labeled by using the DSMLABEL utility program before you attempt to use it with the server.
- The DEVICE parameter associated with the drive is identified correctly in the DEFINE DRIVE command, and the drive is currently powered on and ready.

After checking and correcting these potential problems, retry the operation.

ANR8353E (AS/400)

Request number: I/O error reading label of volume in drive drive name.

Explanation: ADSM detects an I/O error while reading the volume label from the volume in the specified drive.

System Action: If a volume was mounted, it is ejected. If the library is of type USRDFN, this media operation fails. For any other library type, the server continues to wait for the requested volume to be mounted.

User Response: Ensure that the requested volume is inserted properly in the designated drive. Also, make sure that the volume has been labeled by using the INZTAP command before you attempt to use it with the server.

ANR8354E

Request number: Incorrect volume (volume name) mounted in drive drive name.

Explanation: The user has inserted the named volume into the indicated drive, but it is not the one requested by the server.

System Action: The volume is ejected, and the server continues to wait for the requested volume to be mounted.

User Response: Ensure that the requested volume is inserted properly into the designated drive.

ANR8354E (AS/400)

Request number: Incorrect volume (volume name) mounted in drive drive name.

Explanation: The user has inserted the specified volume into the indicated drive, but it is not the one requested by the server.

System Action: If a volume was mounted, it is ejected. If the library is of type USRDFN, this media operation fails. For any other library type, the server continues to wait for the requested volume to be mounted.

User Response: Ensure that the requested volume is inserted properly into the designated drive.

ANR8355E I/O error reading label for volume *volume name* in drive *drive name*.

Explanation: The server detects an error while reading/verifying the volume label for the volume in the specified drive.

System Action: The volume is dismounted by the server.

User Response: Ensure the following:

- Check the integrity of the data on the volume by issuing an AUDIT VOLUME command. If this error occurs on a volume that is stored inside a SCSI library, the library itself may need to be audited by using the AUDIT LIBRARY command.
- The DEVICE parameter associated with the drive is identified correctly in the DEFINE DRIVE command, and the drive is currently powered on and ready.

After checking and correcting these potential problems, retry the operation.

ANR8355E (AS/400)

I/O error reading label for volume *volume name* **in drive** *drive name*.

Explanation: ADSM detects an error while reading or verifying the volume label for the volume in the specified drive.

System Action: If a volume was mounted, it is ejected. If the library is of type USRDFN, this media operation fails. For any other library type, the server continues to wait for the requested volume to be mounted.

User Response: Check the integrity of the data on the volume by issuing an AUDIT VOLUME command.

ANR8356E **Incorrect volume** *mounted volume name* **was mounted instead of volume** *expected volume name* **in library** *library name*.

Explanation: The incorrect volume has been mounted in the designated library. This error can occur if the library inventory has been altered due to manual intervention or movement of volumes, or both.

System Action: The volume is dismounted; the expected volume may be marked unavailable if this error occurs during normal volume mount activity.

User Response: Use the AUDIT LIBRARY command to force the library to reevaluate its inventory of volumes.

ANR8356E (AS/400)

Incorrect volume *mounted volume name* **was mounted instead of volume** *expected volume name* **in library** *library name*.

Explanation: The incorrect volume was mounted in the designated library. This error can occur if the library inventory has been altered due to manual intervention or movement of volumes, or both.

System Action: The volume is dismounted. The expected volume may be marked unavailable if this error occurs during normal volume mount activity.

User Response: Use the AUDIT LIBRARY command to force the library to reevaluate its inventory of volumes.

ANR8357I

Error reading label of volume from slot-element *element address* **in drive** *drive name* **of library** *library name*.

Explanation: While processing a search-mode CHECKIN LIBVOLUME command for the designated library, the server finds a volume whose label cannot be read.

System Action: The volume is dismounted and is not checked into the library.

User Response: Remove the volume from the library and ensure that it is properly labeled. After doing so, the volume can be checked into the library.

ANR8357E (AS/400)

Error reading label of volume in drive *drive name* **of library** *library name*.

Explanation: While processing a search-mode CHECKIN LIBVOLUME command for the designated library, the server finds a volume whose label cannot be read.

System Action: The volume is dismounted and is not checked into the library.

User Response: Remove the volume from the library and ensure that it is properly labeled. Then check the volume back into the library.

ANR8358E

Audit operation is required for library *library name*.

Explanation: The server encounters a problem managing the given library, and determines that an AUDIT LIBRARY operation should be performed.

System Action: The server may continue to access the library, but some volumes may not be accessible until an AUDIT LIBRARY command is issued against the library.

User Response: Issue an AUDIT LIBRARY command against the library.

ANR8358E (AS/400)

Audit operation is required for library *library name*.

Explanation: The server encounters a problem managing the given library, and determines that an AUDIT LIBRARY operation should be performed.

System Action: The server may continue to access the library, but some volumes may not be accessible until an AUDIT LIBRARY command is issued against the library.

User Response: Issue an AUDIT LIBRARY command against the library to verify the library's inventory.

ANR8359E **Media fault detected on** *device type* **volume** *volume name* **in drive** *drive name* **of library** *library name*.

Explanation: The server encounters a media fault while accessing the given volume using the specified drive.

System Action: The operation that is attempting to access the volume will fail, and the volume will be immediately dismounted from the drive.

User Response: In some cases, the server will automatically mark the volume unavailable. If this does not happen automatically, issue an UPDATE VOLUME command to set the volume's access value to unavailable. This will prevent the server from trying to mount the volume to satisfy user requests. Issue an AUDIT VOLUME command to determine if any data has been lost due to the media failure.

ANR8359E (AS/400)

Media fault detected on *device type* **volume** *volume name* **in drive** *drive name* **of library** *library name*.

Explanation: The server encounters a media fault while accessing the given volume using the specified drive.

System Action: The operation that is attempting to access the volume fails, and the volume is immediately dismounted from the drive.

User Response: In some cases, the server automatically marks the volume unavailable. If this does not happen automatically, issue an UPDATE VOLUME command to set the volume's access value to unavailable. This prevents the server from trying to mount the volume to satisfy user requests. It is also necessary to issue an AUDIT VOLUME command to determine if any data has been lost due to the media failure.

ANR8360I **Volume** *volume name* **has been deleted from MANUAL library** *library name*.

Explanation: The specified volume has been deleted by the server. It can be returned to a scratch pool by the mount operator if desired.

System Action: The volume is removed from the server's inventory.

User Response: None.

ANR8360I (AS/400)

Volume *volume name* **has been deleted from library type library** *library name*.

Explanation: The specified volume has been deleted by the server. It can be returned to a scratch pool by the mount operator if desired.

System Action: The volume is removed from the server's inventory.

User Response: No action is required.

ANR8361E **Command: Device type not specified.**

Explanation: The specified command requires that the DEVTYPE parameter be supplied.

System Action: The command is not processed.

User Response: Reissue the command, and specify a valid DEVTYPE parameter.

ANR8361E (AS/400)

Command: Device type not specified.

Explanation: The specified command requires that the DEVTYPE parameter be supplied.

System Action: The server does not process the command.

User Response: Reissue the command and specify a valid DEVTYPE parameter.

ANR8362E **Command: The parameter parameter is invalid for device type** *device type*.

Explanation: The specified parameter is not valid for a device class with the given device type.

System Action: The command is not processed.

User Response: Reissue the command with a correct parameter.

ANR8362E (AS/400)

Command: The parameter parameter is invalid for device type device type.

Explanation: The specified parameter is not valid for a device class with the given device type.

System Action: The server does not process the command.

User Response: Reissue the command with a correct parameter.

ANR8363E

Command: The parameter parameter is required for device type device type.

Explanation: The specified command requires that the given parameter be supplied when the indicated device type is used.

System Action: The command is not processed.

User Response: Reissue the command, providing the required parameter value.

ANR8363E (AS/400)

Command: The parameter parameter is required for device type device type.

Explanation: The specified command requires that the given parameter be supplied when the indicated device type is used.

System Action: The server does not process the command.

User Response: Reissue the command and provide the required parameter value.

ANR8364E

Command: Cannot reduce MOUNTLIMIT below number of volumes currently mounted.

Explanation: The MOUNTLIMIT value cannot be reduced below the number of currently mounted volumes.

System Action: The command is not processed.

User Response: Wait until the server finishes using some of the mounted volumes, or force the server to dismount idle volumes using the DISMOUNT VOLUME command, then retry this command.

ANR8364E (AS/400)

Command: Cannot reduce MOUNTLIMIT below number of volumes currently mounted.

Explanation: The MOUNTLIMIT value cannot be reduced below the number of currently mounted volumes.

System Action: The server does not process the command.

User Response: Wait until the server finishes using some of the mounted volumes, or force the server to dismount idle volumes using the DISMOUNT VOLUME command. Then reissue this command.

ANR8365E

Command: **The parameter parameter cannot be changed.**

Explanation: The specified parameter cannot be changed from the value that was provided with the associated DEFINE command.

System Action: The command is not processed.

User Response: If it is necessary to use a different value for the given parameter, the associated object must be deleted and then redefined using the new parameter value.

ANR8365E (AS/400)

Command: **The parameter parameter cannot be changed.**

Explanation: The specified parameter cannot be changed from the value that was provided with the associated DEFINE command.

System Action: The server does not process the command.

User Response: To use a different value for the given parameter, the associated object must be deleted and then defined by using the new parameter value.

ANR8366E

Command: **Invalid value for parameter parameter.**

Explanation: An invalid value has been provided for the specified parameter.

System Action: The command is not processed.

User Response: Reissue the command, and specify a valid parameter value.

ANR8366E (AS/400)

Command: **Invalid value for parameter parameter.**

Explanation: An invalid value has been provided for the specified parameter.

System Action: The server does not process the command.

User Response: Reissue the command and specify a valid parameter value.

ANR8367E

Command: **Multiple parameter values are not allowed.**

Explanation: The designated parameter is specified more than once in the command; this is not allowed.

System Action: The command is not processed.

User Response: Reissue the command, but specify the given parameter only once.

ANR8367E (AS/400)

Command: **Multiple parameter values are not allowed.**

Explanation: The designated parameter is specified more than once in the command, which is not allowed.

System Action: The server does not process the command.

User Response: Reissue the command, but specify the given parameter only once.

ANR8368E

Request number: **Incorrect side (side) of volume volume name mounted in drive drive name.**

Explanation: The user inserted the wrong side of the requested volume into the indicated drive.

System Action: The volume is ejected, and the server continues to wait for the requested side of the volume to be mounted.

User Response: Insert the correct side of the requested volume into the designated drive.

ANR8368E (AS/400)

Request number: **Incorrect side (side) of volume volume name mounted in drive drive name.**

Explanation: The user has inserted the wrong side of the requested volume into the indicated drive.

System Action: The volume is ejected, and the server continues to wait for the requested side of the volume to be mounted.

User Response: Insert the correct side of the requested volume into the designated drive.

ANR8369E

Library library name is not defined.

Explanation: The designated library is not defined, but has been referenced in a mount request.

System Action: The mount request is rejected.

User Response: Define the given library, or update the LIBRARY parameter of the device class that references it.

ANR8369E (AS/400)

Library *library name* **is not defined.**

Explanation: The designated library is not defined, but has been referenced in a mount request.

System Action: The mount request is rejected.

User Response: Define the given library or update the LIBRARY parameter of the device class that references it.

ANR8370I

Device type **volume** *volume name* **is mounted** *mount mode*, **status: RETRY.**

Explanation: In response to a QUERY MOUNT command, the server indicates that the given volume is mounted for I/O operations. The volume is currently in RETRY, meaning an attempt is being made to re-establish communications with another server. If the volume remains in the retry state for the amount of time specified by the device class retry period, the operation will fail and the volume will be automatically dismounted.

System Action: None.

User Response: None.

ANR8370I (AS/400)

Device type **volume** *volume name* **is mounted** *mount mode*, **status: RETRY.**

Explanation: In response to a QUERY MOUNT command, the server indicates that the given volume is mounted for I/O operations. The volume is currently in RETRY, meaning an attempt is being made to re-establish communications with another server. If the volume remains in the retry state for the amount of time specified by the device class retry period, the operation will fail and the volume will be automatically dismounted.

System Action: None.

User Response: None.

ANR8371I

I/O is being bypassed for volume *volume name*.

Explanation: The indicated volume is mounted but the server is bypassing actual I/O operations for the volume. The pool associated with the volume matches the NULLPOOLNAME option in the options file or NULLFILEDEVCLASS YES has been specified in the options file.

System Action: None.

User Response: None.

ANR8372I *Request number: Remove device type volume volume name from drive drive name of library library name.*

Explanation: A LABEL LIBVOLUME command has completed. You can remove the specified volume from the designated drive and store it outside the library.

System Action: None.

User Response: Remove the volume from the drive and store it in a safe place.

ANR8373I *Request number: Fill the bulk entry/exit port of library library name with all device type volumes to be processed within time limit minute(s); issue 'REPLY' along with the request ID when ready.*

Explanation: A CHECKIN LIBVOLUME or LABEL LIBVOL command with SEARCH=BULK is in progress. Load all volumes to be processed into the multi-slot entry/exit port of the given library within the time limit specified in the message.

System Action: The server waits until a REPLY command is issued, or until the time limit expires.

User Response: Insert the volumes into the library's entry/exit port; and issue a REPLY command, along with the request ID, to tell the server that the volumes have been inserted.

ANR8374E **Unable to unmount mountpoint** *mountpoint name.*

Explanation: A removable file device class mountpoint had to be unmounted using the operating system unmount function. The server did not have permission to unmount the directory specified.

System Action: The server continues, but cannot use the mountpoint for removablefile support until the directory is unmounted.

User Response: It may be necessary to run the server as a root user to mounted directories to be unmounted.

ANR8375E *Device type volume volume name cannot be overwritten by BACKUPSET operation.*

Explanation: The specified volume already exists or contains data, so that the server cannot allow new backup set data to be written to it.

System Action: The server detects that the given volume already contains some data that would be overwritten by the requested backup set operation.

User Response: If the specified volume does not contain any valuable data, delete it and retry the backup set operation.

ANR8400I **Library *library name* defined.**
Explanation: The designated library has been successfully defined.
System Action: The library is defined and recorded in the database.
User Response: None.

ANR8400I (AS/400)
Library *library name* defined.
Explanation: The designated library has been successfully defined.
System Action: The library is defined and recorded in the database.
User Response: None.

ANR8401E *Command: Invalid library name *library name*.*
Explanation: The designated library name is invalid; either it contains too many characters, or some of the characters are invalid.
System Action: The command is not processed.
User Response: Reissue the command using a valid library name.

ANR8401E (AS/400)
*Command: Invalid library name *library name*.*
Explanation: The designated library name is invalid; either it contains too many characters, or some of the characters are invalid.
System Action: The server does not process the command.
User Response: Reissue the command and specify a valid library name.

ANR8402E *Command: Library *library name* is already defined.*
Explanation: The designated library cannot be defined because it already exists.
System Action: The command is not processed.
User Response: If you want to define an additional library, reissue the command with a different library name.

ANR8402E (AS/400)

Command: *Library library name* **is already defined.**

Explanation: The designated library cannot be defined because it already exists.

System Action: The server does not process the command.

User Response: None.

ANR8403E

Command: **Operation not allowed for library type libraries.**

Explanation: The requested operation is not allowed for libraries of the given type.

System Action: The command is not processed.

User Response: None.

ANR8403E (AS/400)

Command: **Operation not allowed for library type libraries.**

Explanation: The requested operation is not allowed for libraries of the given type.

System Action: The server does not process the command.

User Response: None.

ANR8404I

Drive *Drive name* **defined in library** *library name*.

Explanation: The designated drive has been successfully defined as a member of the specified library.

System Action: The drive is defined and recorded in the database.

User Response: None.

ANR8404I (AS/400)

Drive *Drive name* **defined in library** *library name*.

Explanation: The designated drive has been successfully defined as a member of the specified library.

System Action: The drive is defined and recorded in the database.

User Response: None.

ANR8405E *Command: Invalid drive name drive name.*

Explanation: The designated drive name is invalid; either it contains too many characters, or some of the characters are invalid.

System Action: The command is not processed.

User Response: Reissue the command using a valid drive name.

ANR8405E (AS/400)

Command: Invalid drive name drive name.

Explanation: The designated drive name is invalid because it contains too many characters or some of the characters are invalid.

System Action: The server does not process the command.

User Response: Reissue the command and specify a valid drive name.

ANR8406E *Command: Drive drive name is already defined in library library name.*

Explanation: The designated drive cannot be defined because it has already been defined for the specified library.

System Action: The command is not processed.

User Response: If you want to define an additional drive, reissue the command with a different drive name.

ANR8406E (AS/400)

Command: Drive drive name is already defined in library library name.

Explanation: The designated drive cannot be defined because it has already been defined for the specified library.

System Action: The server does not process the command.

User Response: None.

ANR8407E *Command: The MODEL parameter is required for this command.*

Explanation: The MODEL parameter has not been provided; it is required.

System Action: The command is not processed.

User Response: Reissue the command using the MODEL parameter.

ANR8407W (AS/400)

Unable to VARY *Command option drive Drive name.*

Explanation: The AS/400 Vary Configuration (VRYCFG) command failed for the specified drive. The server issues additional error messages if this condition prevents the server from completing an operation.

System Action: Server operation continues.

User Response: If necessary, use the appropriate AS/400 commands to determine the status of the drive and correct any problems.

ANR8408E

Command: The DEVICE parameter is required for this command.

Explanation: The DEVICE parameter has not been provided; it is required.

System Action: The command is not processed.

User Response: Reissue the command using the DEVICE parameter.

ANR8408W (AS/400)

The AS/400 STATUS of drive *drive name* **is** *AS/400 status.*

Explanation: The server has determined the current AS/400 status of the given drive. The AS/400 status of the drive may have prevented the server from using the drive. The server issues additional error messages if this condition prevents the server from completing an operation.

System Action: Server operation continues.

User Response: If necessary, use the appropriate actions to resolve any problems with the specified drive. If the drive is shared with other systems, ensure that the SHARE parameter associated with the drive is set correctly in the DEFINE DRIVE command.

ANR8409E

Command: Library *library name* **is not defined.**

Explanation: The designated library has not been defined.

System Action: The command is not processed.

User Response: Reissue the command using a different library name, or define the library before retrying the command.

ANR8409E (AS/400)

Command: Library *library name* **is not defined.**

Explanation: The designated library has not been defined.

System Action: The server does not process the command.

User Response: Reissue the command and specify a different library name, or define the library before reissuing the command.

ANR8410I **Library *library name* deleted.**

Explanation: The designated library has been deleted successfully.

System Action: The library is deleted.

User Response: None.

ANR8410I (AS/400)

Library *library name* deleted.

Explanation: The designated library has been deleted successfully.

System Action: The library is deleted.

User Response: None.

ANR8411E ***Command: One or more drives are still defined in library *library name*.***

Explanation: The designated library cannot be deleted because there are still drives defined within it.

System Action: The command is not processed.

User Response: Delete all drives from the library, and reissue the command.

ANR8411E (AS/400)

Command: One or more drives are still defined in library *library name*.

Explanation: The designated library cannot be deleted because there are still drives defined within it.

System Action: The server does not process the command.

User Response: Delete all drives from the library, and reissue the command.

ANR8412I **Drive *drive name* deleted from library *library name*.**

Explanation: The designated drive has been deleted successfully from the specified library.

System Action: The drive is deleted.

User Response: None.

ANR8412I (AS/400)

Drive *drive name* **deleted from library** *library name*.

Explanation: The designated drive has been deleted successfully from the specified library.

System Action: The drive is deleted.

User Response: None.

ANR8413E

Command: Drive *drive name* **is currently in use.**

Explanation: The designated drive cannot be deleted or updated because it is currently in use.

System Action: The command is not processed.

User Response: Wait until the drive is no longer in use, and reissue the command.

ANR8413E (AS/400)

Command: Drive *drive name* **is currently in use.**

Explanation: The designated drive cannot be deleted or updated because it is currently in use.

System Action: The server does not process the command.

User Response: Wait until the drive is no longer in use, and then reissue the command.

ANR8414E

Command: Drive *drive name* **is not defined in library** *library name*.

Explanation: The designated drive has not been defined in the given library.

System Action: The command is not processed.

User Response: Reissue the command using a different drive name. If appropriate, define the drive before retrying the command.

ANR8414E (AS/400)

Command: Drive *drive name* **is not defined in library** *library name*.

Explanation: The designated drive has not been defined in the given library.

System Action: The server does not process the command.

User Response: Reissue the command and specify a different drive name; or, if appropriate, define the drive before reissuing the command.

ANR8415E *Command: The parameter parameter is required for this command.*

Explanation: The specified parameter must be provided when processing the given command.

System Action: The command is not processed.

User Response: Reissue the command, providing the required parameter value.

ANR8415E (AS/400)

Command: The parameter parameter is required for this command.

Explanation: The specified parameter must be provided when processing the given command.

System Action: The server does not process the command.

User Response: Reissue the command and provide the required parameter value.

ANR8416E *Command: The parameter parameter is invalid for library type library type.*

Explanation: The specified parameter is not valid for libraries of the given type. The scratchcategory must be at least 2 less than the privatecategory for 349x libraries.

System Action: The command is not processed.

User Response: Reissue the command, using only the proper parameters. If using the scratchcategory make sure it is at least 2 less than the privatecategory.

ANR8416E (AS/400)

Command: The parameter parameter is invalid for library type library type.

Explanation: The specified parameter is not allowed for libraries of the given type.

System Action: The server does not process the command.

User Response: Reissue the command and specify only valid parameters.

ANR8417E *Command: The parameter parameter is invalid for drives in library type libraries.*

Explanation: The specified parameter is not allowed when defining or updating drives in a library of the given type.

System Action: The command is not processed.

User Response: Reissue the command, using only the proper parameters.

ANR8417E (AS/400)

Command: *The parameter parameter is invalid for drives in library type libraries.*

Explanation: The specified parameter is not allowed when defining or updating drives in a library of the given type.

System Action: The server does not process the command.

User Response: Reissue the command and specify only valid parameters.

ANR8418E

Command: *An I/O error occurred while accessing library library name.*

Explanation: An I/O error occurs while accessing the designated library.

System Action: The operation fails.

User Response: Ensure that the DEVICE parameter associated with the library is identified correctly in the DEFINE LIBRARY command, and that the library is currently powered on and ready. If the library has an access door, make sure it is closed. After checking and correcting these potential problems, retry the operation.

ANR8418E (AS/400)

Command: *An I/O error occurred while accessing library library name.*

Explanation: An I/O error occurs while accessing the designated library.

System Action: The operation fails.

User Response: Ensure that the MLD parameter associated with the library is identified correctly in the DEFINE LIBRARY command, and that the library is currently powered on and ready. If the library has an access door, make sure it is closed. After checking and correcting these potential problems, you can try the operation again.

ANR8419E

Command: *The drive or element conflicts with an existing drive in library library name.*

Explanation: Either there are no more physical drives in the library, or the specified ELEMENT parameter conflicts with an existing defined drive in the given library.

System Action: The command is not processed.

User Response: Specify a valid ELEMENT parameter that is not used by any other drive in the library.

ANR8420E

Command: An I/O error occurred while accessing drive drive name.

Explanation: An I/O error occurs while accessing the specified drive.

System Action: The operation fails.

User Response: Ensure that the DEVICE parameter associated with the drive is identified correctly in the DEFINE DRIVE command, and that the drive is currently powered on and ready. After checking and correcting these potential problems, retry the command.

ANR8420E (AS/400)

Command: An I/O error occurred while accessing drive drive name.

Explanation: An I/O error occurs while accessing the specified drive.

System Action: The operation fails.

User Response: Ensure that the DEVICE parameter associated with the drive is identified correctly in the DEFINE DRIVE command, and that the drive is currently powered on and ready. After checking and correcting these potential problems, you can try the operation again.

ANR8421E

Command: Unable to start a process for this command.

Explanation: The server cannot start a background process to carry out the designated command.

System Action: The operation fails.

User Response: Check for and correct memory shortages or other server resource constraints, and reissue the command.

ANR8421E (AS/400)

Command: Unable to start a process for this command.

Explanation: The server cannot start a background process to carry out the designated command.

System Action: The operation fails.

User Response: Check for and correct memory shortages or other server resource constraints, and then reissue the command.

ANR8422I

Command: Operation for library library name started as process process ID.

Explanation: A volume check-in process has been started to handle the insertion of a volume into the given library. The process is assigned the ID specified in the message.

System Action: The server starts a background process to perform the operation in response to the CHECKIN LIBVOLUME command entered by an administrator.

User Response: To obtain status on the process, issue the QUERY PROCESS command. The process may be canceled with the CANCEL PROCESS command.

ANR8422I (AS/400)

Command: Operation for library *library name* started as process *process ID*.

Explanation: A volume check-in process has been started to handle the insertion of a volume into the given library. The process is assigned the ID specified in the message.

System Action: The server starts a background process to perform the operation in response to the CHECKIN LIBVOLUME command entered by an administrator.

User Response: To obtain status on the process, issue the QUERY PROCESS command. To cancel the process, issue the CANCEL PROCESS command.

ANR8423I CHECKIN LIBVOLUME process for library *library name* has been canceled.

Explanation: A background server process that has been working to check in one or more volumes for the given library is canceled by the CANCEL PROCESS command.

System Action: The server process is ended and server operation continues.

User Response: None.

ANR8423I (AS/400)

CHECKIN LIBVOLUME process for library *library name* has been canceled.

Explanation: The CANCEL PROCESS command cancels a background server process that has been working to check in one or more volumes for the given library.

System Action: The server process is ended and server operation continues.

User Response: No action is required.

ANR8424I Checking in volume *volume name* in library *library name*.

Explanation: In response to a QUERY PROCESS command, this message displays the status for a CHECKIN LIBVOLUME process on the server. The given volume is being checked in to the designated library.

System Action: The background process operation continues.

User Response: None. The process may be canceled by an authorized administrator using the CANCEL PROCESS command.

ANR8424I (AS/400)

Checking in volume *volume name in library library name.*

Explanation: In response to a QUERY PROCESS command, this message displays the status for a CHECKIN LIBVOLUME process on the server. The given volume is being checked into the designated library.

System Action: The background process operation continues.

User Response: No action is required. An authorized administrator can cancel the process by using the CANCEL PROCESS command.

ANR8425I

Checking in volumes in search mode in library *library name.*

Explanation: In response to a QUERY PROCESS command, this message displays the status for a CHECKIN LIBVOLUME process on the server. Volumes are being checked into the given library automatically using a search for previously-unknown volumes.

System Action: The background process operation continues.

User Response: None. The process may be canceled by an authorized administrator using the CANCEL PROCESS command.

ANR8425I (AS/400)

Checking in volumes using search mode in library *library name.*

Explanation: In response to a QUERY PROCESS command, this message displays the status for a CHECKIN LIBVOLUME process on the server. Volumes are being checked into the given library automatically using a search for previously unknown volumes.

System Action: The background process operation continues.

User Response: No action is required. An authorized administrator can cancel the process by using the CANCEL PROCESS command.

ANR8426E

CHECKIN LIBVOLUME for volume *volume name in library library name*
failed.

Explanation: The background process for a CHECKIN LIBVOLUME command has failed.

System Action: The background process ends, but the volume has not been checked into the library.

User Response: Make sure the library and drive devices associated with this command are powered on and ready, and then reissue the command.

ANR8426E (AS/400)

CHECKIN LIBVOLUME for volume *volume name* in library *library name* failed.

Explanation: The background process for a CHECKIN LIBVOLUME command has failed.

System Action: The background process terminates, but the volume has not been checked into the library.

User Response: Make sure the library and drive devices associated with this command are powered on and ready, and then reissue the command.

ANR8427I

CHECKIN LIBVOLUME for volume *volume name* in library *library name* completed successfully.

Explanation: The specified volume was successfully checked in to the library during processing of a CHECKIN LIBVOLUME or LABEL LIBVOLUME command.

System Action: The volume is made available for mounting in the given library.

User Response: None.

ANR8427I (AS/400)

CHECKIN LIBVOLUME for volume *volume name* in library *library name* completed successfully.

Explanation: The background process for a CHECKIN LIBVOLUME command has completed successfully.

System Action: The volume is made available for mounting in the given library.

User Response: No action is required.

ANR8428E

Command: The STATUS parameter is required for this command.

Explanation: The STATUS parameter must be provided with the given command.

System Action: The command is not processed.

User Response: Reissue the command, and provide a valid STATUS parameter value.

ANR8428E (AS/400)

Command: The STATUS parameter is required for this command.

Explanation: The STATUS parameter must be provided with the given command.

System Action: The server does not process the command.

User Response: Reissue the command and provide a valid STATUS parameter value.

ANR8429E

Command: **No drives are currently defined in library** *library name*.

Explanation: The command cannot be issued until at least one drive has been defined in the given library.

System Action: The command is not processed.

User Response: Define a drive in the library, using the DEFINE DRIVE command, and then retry the failed command.

ANR8429E (AS/400)

Command: **No drives are currently defined in library** *library name*.

Explanation: The server cannot process the command until at least one drive has been defined in the given library.

System Action: The server does not process the command.

User Response: By using the DEFINE DRIVE command, define a drive in the library, and then reissue the failed command.

ANR8430I

Volume *volume name* **has been checked into library** *library name*.

Explanation: A search-mode CHECKIN LIBVOLUME process has found the given volume and automatically checked it into the library.

System Action: The volume is added to the given library's inventory.

User Response: None.

ANR8430I (AS/400)

Volume *volume name* **has been checked into library** *library name*.

Explanation: A search-mode CHECKIN LIBVOLUME process has found the given volume and automatically checked it into the library.

System Action: The volume is added to the given library's inventory.

User Response: No action is required.

ANR8431I

CHECKIN LIBVOLUME process completed for library *library name*; **volume count** *volume(s)* **found.**

Explanation: A search-mode CHECKIN LIBVOLUME process is completed. The specified number of volumes have been successfully added to the library's inventory.

System Action: The volumes are made available for use by the server.

User Response: None.

ANR8431I (AS/400)

CHECKIN LIBVOLUME process completed for library *library name*; *volume count* **volumes found.**

Explanation: A search-mode CHECKIN LIBVOLUME process is completed. The specified number of volumes have been successfully added to the library's inventory.

System Action: The volumes are made available for use by the server.

User Response: No action is required.

ANR8432E

Command: Volume *volume name* **is already present in library** *library name*.

Explanation: The specified volume cannot be checked into the given library because it is already present.

System Action: The command is not processed.

User Response: Provide the name of a volume that is not already present in the given library. Use the QUERY LIBVOLUME command to obtain a full list of volumes that have already been checked into the library.

ANR8432E (AS/400)

Command: Volume *volume name* **is already present in library** *library name*.

Explanation: The specified volume cannot be checked into the given library because it is already present.

System Action: The server does not process the command.

User Response: Provide the name of a volume that is not already present in the given library. Use the QUERY LIBVOLUME command to obtain a full list of volumes that have already been checked into the library.

ANR8433E

Command: Volume *volume name* **is not present in library** *library name*.

Explanation: The specified volume cannot be checked out of the given library because it is not present.

System Action: The command is not processed.

User Response: Provide the name of a volume that is present in the given library. Use the QUERY LIBVOLUME command to obtain a full list of volumes that reside in the library.

ANR8433E (AS/400)

Command: **Volume** *volume name* **is not present in library** *library name*.

Explanation: The specified volume cannot be checked out of the given library because it is not present.

System Action: The server does not process the command.

User Response: Provide the name of a volume that is present in the given library. Use the QUERY LIBVOLUME command to obtain a full list of volumes that reside in the library.

ANR8434I

Command: **Operation for volume** *volume name* **in library** *library name* **started as process** *process ID*.

Explanation: A volume check-out process has been started to handle the removal of a volume from the given library. The process is assigned the ID specified in the message.

System Action: The server starts a background process to perform the operation in response to the CHECKOUT LIBVOLUME command entered by an administrator.

User Response: To obtain status on the process, issue the QUERY PROCESS command. The process may be canceled with the CANCEL PROCESS command.

ANR8434I (AS/400)

Command: **Operation for volume** *volume name* **in library** *library name* **started as process** *process ID*.

Explanation: A volume check-out process has been started to handle the removal of a volume from the given library. The process is assigned the ID specified in the message.

System Action: The server starts a background process to perform the operation in response to the CHECKOUT LIBVOLUME command entered by an administrator.

User Response: To obtain status on the process, issue the QUERY PROCESS command. The process may be canceled with the CANCEL PROCESS command.

ANR8435I

CHECKOUT LIBVOLUME for volume *volume name* **in library** *library name* **has been canceled.**

Explanation: A background server process that has been working to check out the volume from the given library is canceled by the CANCEL PROCESS command.

System Action: The server process is ended and server operation continues.

User Response: None.

ANR8435I (AS/400)

CHECKOUT LIBVOLUME for volume *volume name* in library *library name* has been canceled.

Explanation: The CANCEL PROCESS command cancels a background server process that has been working to check out the volume from the given library.

System Action: The server process is ended and server operation continues.

User Response: No action is required.

ANR8436I

Checking out volume *volume name* from library *library name*.

Explanation: In response to a QUERY PROCESS command, this message displays the status for a CHECKOUT LIBVOLUME process on the server.

System Action: The background process operation continues.

User Response: None. The process may be canceled by an authorized administrator using the CANCEL PROCESS command.

ANR8436I (AS/400)

Checking out volume *volume name* from library *library name*.

Explanation: In response to a QUERY PROCESS command, this message displays the status for a CHECKOUT LIBVOLUME process on the server.

System Action: The background process operation continues.

User Response: No action is required. An authorized administrator can cancel the process by using the CANCEL PROCESS command.

ANR8437E

CHECKOUT LIBVOLUME for volume *volume name* in library *library name* failed.

Explanation: The background process for a CHECKOUT LIBVOLUME command has failed.

System Action: The background process ends, but the volume has not been checked out of the library.

User Response: Make sure the library and drive devices associated with this command are powered on and ready, then retry the command.

ANR8437E (AS/400)

CHECKOUT LIBVOLUME for volume *volume name* in library *library name* failed.

Explanation: The background process for a CHECKOUT LIBVOLUME command has failed.

System Action: The background process ends, but the volume has not been checked out of the library.

User Response: Make sure the library and drive devices associated with this command are powered on and ready, and then reissue the command.

ANR8438I

CHECKOUT LIBVOLUME for volume *volume name* in library *library name* completed successfully.

Explanation: The background process for a CHECKOUT LIBVOLUME command has completed successfully.

System Action: The volume is either deleted from the library's inventory (if its status is something other than DATA) or marked not present (if its status is DATA).

User Response: None.

ANR8438I (AS/400)

CHECKOUT LIBVOLUME for volume *volume name* in library *library name* completed successfully.

Explanation: The background process for a CHECKOUT LIBVOLUME command has completed successfully.

System Action: The volume is either deleted from the library's inventory (if its status is something other than DATA) or marked "not present" (if its status is DATA).

User Response: No action is required.

ANR8439I

SCSI library *library name* is ready for operations.

Explanation: The initialization process for the given library has completed successfully, and the library is ready for use.

System Action: The library is made ready for use.

User Response: None.

ANR8439E (AS/400)

Command: The *parameter* **parameter is invalid for the type of drive.**

Explanation: The specified parameter is not allowed when defining or updating the given type of drive.

System Action: The server does not process the command.

User Response: Reissue the command using only valid parameters.

ANR8440E

Initialization failed for SCSI library *library name*; will retry in *delay time* minute(s).

Explanation: The initialization process for the given library has failed. It will be retried automatically after the specified amount of time has elapsed.

System Action: The initialization will be retried later.

User Response: Ensure that the library device is powered on and ready. If the library has an access door, make sure it is in the closed position.

ANR8441E

Initialization failed for SCSI library *library name*.

Explanation: The initialization process for the given library has failed, and will not be retried until the next time the server needs to access the library.

System Action: The library is made temporarily unavailable.

User Response: Make sure the library is powered on and attached.

ANR8442E

Command: **Volume *volume name* in library *library name* is currently in use.**

Explanation: The command cannot be processed because the specified volume is already being used for another operation.

System Action: The command is not processed.

User Response: Wait until the conflicting volume activity has completed, and then reissue the command. If the volume is currently mounted, but idle, you can dismount it with the DISMOUNT VOLUME command and then retry this operation.

ANR8442E (AS/400)

Command: **Volume *volume name* in library *library name* is currently in use.**

Explanation: The command cannot be processed because the specified volume is already being used for another operation.

System Action: The server does not process the command.

User Response: Wait until the conflicting volume activity has completed, and then reissue the command. If the volume is currently mounted but idle, you can dismount it by using the DISMOUNT VOLUME command and then try this operation again.

ANR8443E

Command: *Volume volume name in library library name cannot be assigned a status of SCRATCH.*

Explanation: The volume cannot be assigned to the given library's scratch pool because there is a storage pool volume defined or a volume in the volume history file with this volume name. Such a volume may still contain valid data. Assigning the volume to the library's scratch pool might result in a destructive overwrite of the volume's data.

System Action: The command is not processed.

User Response: Reissue the command, specifying that the volume be assigned a status of PRIVATE.

ANR8443E (AS/400)

Command: *Volume volume name in library library name cannot be assigned a status of SCRATCH.*

Explanation: The volume cannot be assigned to the given library's scratch pool because there is a storage pool volume defined with this volume name. Assigning the volume to the library's scratch pool may result in a destructive overwrite of the volume's data.

System Action: The server does not process the command.

User Response: Reissue the command, and specify that the volume be assigned a status of PRIVATE.

ANR8444E

Command: *Library library name is currently unavailable.*

Explanation: The requested operation cannot be completed because the specified library is unavailable for I/O operations. The library may still be carrying out its initialization operations.

System Action: The command is not processed.

User Response: Wait until the library initialization completes or the library becomes ready.

ANR8444E (AS/400)

Command: **Library** *library name* **is currently unavailable.**

Explanation: The requested operation cannot be completed because the specified library is unavailable for I/O operations. The library may be carrying out its initialization operations.

System Action: The server does not process the command.

User Response: Retry the requested operation when the library initialization completes or when the library becomes ready.

ANR8445I

Volume *volume name* **in library** *library name* **updated.**

Explanation: The specified library volume has been updated successfully.

System Action: The library volume inventory is updated.

User Response: None.

ANR8445I (AS/400)

Volume *volume name* **in library** *library name* **updated.**

Explanation: The specified library volume has been updated successfully.

System Action: The library volume inventory is updated.

User Response: None.

ANR8446I

Manual intervention required for library *library name*.

Explanation: The specified library requires manual intervention.

System Action: Current library activity will be delayed until the required intervention occurs.

User Response: If the library has an access door, make sure it is in the closed position. If it has a cartridge carousel, make sure the carousel is installed. The server automatically detects when the appropriate action has been taken; it will then continue its operations.

ANR8446I (AS/400)

Manual intervention required for library *library name*.

Explanation: The specified library requires manual intervention.

System Action: Current library activity is delayed until the required intervention occurs.

User Response: If the library has an access door, make sure it is in the closed position. If it has a cartridge carousel, make sure the carousel is installed. The server automatically detects when the appropriate action has been taken. It then continues its operations.

ANR8447E **No drives are currently available in library** *library name*.

Explanation: The attempted operation cannot be completed on the specified library because there are no available drives. A drive may be unavailable because an application other than the server may have the driver opened. This message may also be issued if a CHECKIN or LABEL command is issued and no drive is available to service the operation. This can be because all the drives are mounted by other processes or sessions, or the device type was incorrectly specified.

System Action: The attempted operation is terminated.

User Response: Use the QUERY DRIVE command to check the online status of the drives. Drives that are marked "Unavailable since hh:mm yy/mm/dd" are drives taken offline by the server at the time specified because of hardware failures or the inability to open the drive. If the attempted operation is a CHECKIN or LABEL command, use the QUERY MOUNT command to determine if all the drives in the library are mounted and wait until one of these is available. If there are mounted volumes with an IDLE status, use the DISMOUNT VOLUME command to free its drive, and retry the original operation.

ANR8447E (AS/400)

No drives are currently available in library *library name*.

Explanation: No drives are available to carry out an attempted operation for the specified library. The drives can be unavailable for the following reasons. One or more drives in the library may already be in use by the server. One or more drives in the library may be in use by other jobs or other systems. The AS/400 status of one or more drives may render them unavailable to the server. Additional messages may have been issued by the server.

System Action: The attempted operation is ended.

User Response: If the attempted operation is IMPORT/EXPORT or DUMP/LOAD, wait until a drive is available in the library, and then try the operation again. If there are idle volumes mounted in the library, use the DISMOUNT VOLUME command to free a drive, and then try the original operation again. If any of the drives in the library are shared, wait until the other system makes a drive available, and then try the original operation again. If the attempted operation is a normal data storage operation, make sure that the number of drives defined in the library is greater than or equal to the MOUNTLIMIT value of the device class that references the library. This can be accomplished by either defining more drives in the library or by reducing the MOUNTLIMIT value of the

device class. If the drives are in use by other jobs or systems, attempt to coordinate server operations and the availability of the drives.

ANR8448E

Scratch volume *volume name* from library *library name* rejected - volume name is already in use.

Explanation: The designated volume has been used to satisfy a scratch mount, but the volume is already defined in a storage pool, or has been used to store server export, database dump, or database backup information as recorded in the server volume history file.

System Action: The volume is rejected.

User Response: Use a volume that is not in use, or check out and relabel the rejected volume, assigning it a new name in the process, or delete the existing volume that caused the name conflict.

ANR8448I (AS/400)

Scratch volume *volume name* from library *library name* rejected - volume name is already in use.

Explanation: The designated volume has been used to satisfy a scratch mount, but the volume is already defined in a storage pool, or has been used to store server export, database dump, or database backup information as recorded in the server volume history file.

System Action: The volume is rejected.

User Response: Use a volume that is not in use, or check out and relabel the rejected volume, assigning it a new name in the process, or delete the existing volume that caused the name conflict.

ANR8449E

Scratch volume *volume name* rejected - volume name is already in use.

Explanation: The designated volume has been used to satisfy a scratch mount, but the volume is already defined in a storage pool, or has been used to store server export, database dump, or database backup information as recorded in the server volume history file.

System Action: The volume is rejected.

User Response: Use a volume that is not in use, or rename the rejected volume or delete the existing volume that caused the name conflict.

ANR8449I (AS/400)

Scratch volume *volume name* **rejected - volume name is already in use.**

Explanation: The designated volume has been used to satisfy a scratch mount, but the volume is already defined in a storage pool, or has been used to store server export, database dump, or database backup information as recorded in the server volume history file.

System Action: The volume is rejected.

User Response: Use a volume that is not in use, or rename the rejected volume, or delete the existing volume that is causing the name conflict.

ANR8450E

Command: Library *library name* **is currently in use.**

Explanation: The designated library cannot be deleted or updated because it is currently in use for an I/O operation.

System Action: The command is not processed.

User Response: Wait until the library is no longer in use, and then retry the command.

ANR8450E (AS/400)

Command: Library *library name* **is currently in use.**

Explanation: The designated library cannot be deleted or updated because it is currently in use for an I/O operation.

System Action: The server does not process the command.

User Response: Wait until the library is no longer in use, and reissue the command.

ANR8451I

349X library *library name* **is ready for operations.**

Explanation: The initialization process for the given library has completed successfully, and the library is ready for use.

System Action: The library is made ready for use.

User Response: None.

ANR8451I (AS/400)

Media Library Device *library name* **is ready for operations.**

Explanation: The initialization process for the given library has completed successfully, and the library is ready for use.

System Action: The library is made ready for use.

User Response: No action is required.

ANR8452E **Initialization failed for 349X library** *library name*; **will retry in delay time minute(s).**

Explanation: The initialization process for the given library has failed. It is retried automatically after the specified amount of time has elapsed.

System Action: The initialization will be retried later.

User Response: Ensure that the library device is powered on and ready.

ANR8452E (AS/400)

Initialization failed for Media Library Device *library name*; **will retry in delay time minutes.**

Explanation: The initialization process for the given library has failed. It is tried again automatically after the specified amount of time has elapsed.

System Action: The initialization is tried again later.

User Response: Ensure that the library device is powered on and ready.

ANR8453E **Initialization failed for 349X library** *library name*.

Explanation: The initialization process for the given library has failed and will not be retried until the next time the server needs to access the library.

System Action: The library is made temporarily unavailable.

User Response: None.

ANR8453E (AS/400)

Initialization failed for Media Library Device *library name*.

Explanation: The initialization process for the given library has failed and will not be retried until the next time the server needs to access the library. Check previously issued messages for additional information.

System Action: The library is made temporarily unavailable.

User Response: None.

ANR8454E **Mismatch detected between external label** (*volume name from external label*) **and media label** (*volume name from media label*) **in 349X library** *library name*.

Explanation: The external label of a volume was found to differ from its media label in the designated library.

System Action: The volume will not be accessed.

User Response: Remove the volume from the library and ensure that it is properly labeled.

ANR8454I (AS/400)

Mismatch detected between external label (*volume name from external label*) **and media label in Media Library Device** *library name*.

Explanation: The external label of a volume is different from its media label in the designated library.

System Action: The volume is not accessed.

User Response: Remove the volume from the library and ensure that it is properly labeled.

ANR8455E

Volume *volume name* **could not be located during audit of library** *library name*.
Volume has been removed from the library inventory.

Explanation: While processing an AUDIT LIBRARY command for the given library, the server cannot find the given volume in the library.

System Action: The volume is removed from the library inventory.

User Response: If the volume is needed, it should be located and checked into the library using the CHECKIN LIBVOLUME command.

ANR8455I (AS/400)

Volume *volume name* **could not be located during audit of library** *library name*.

Explanation: While processing an AUDIT LIBRARY command for the given library, the server cannot find the given volume in the library.

System Action: The volume is removed from the library inventory.

User Response: If the volume is needed, locate it and check it into the library by using the CHECKIN LIBVOLUME command.

ANR8456E

Multiple volumes named *volume name* **were found during audit of library** *library name*.

Explanation: While processing an AUDIT LIBRARY command for the given library, multiple physical volumes are found to have the same name.

System Action: The first instance of the volume is retained in the server inventory; all other instances are ignored.

User Response: Remove all of the redundant instances of the volume from the library. If the volume which the server retained is found to be the incorrect one, it

can be checked out with the CHECKOUT LIBVOLUME command; then the correct instance can be checked into the library with a CHECKIN LIBVOLUME command.

ANR8456I (AS/400)

Multiple volumes named *volume name* were found during audit of library *library name*.

Explanation: While processing an AUDIT LIBRARY command for the given library, multiple physical volumes are found to have the same name.

System Action: The first occurrence of the volume is retained in the server inventory. All other occurrences are ignored.

User Response: Remove all the duplicate occurrences of the volume from the library. If the volume that the server retained is the incorrect one, check it out with the CHECKOUT LIBVOLUME command. Check the correct instance into the library with a CHECKIN LIBVOLUME command.

ANR8457I

Command: Operation for library *library name* started as process *process ID*.

Explanation: A library audit process has been started for the given library. The process is assigned the ID specified in the message.

System Action: The server starts a background process to perform the operation in response to the AUDIT LIBRARY command entered by an administrator.

User Response: To obtain status on the process, issue the QUERY PROCESS command. The process may be canceled with the CANCEL PROCESS command.

ANR8457I (AS/400)

Command: Operation for library *library name* started as process *process ID*.

Explanation: A library audit process has been started for the given library. The process is assigned the ID specified in the message.

System Action: The server starts a background process to perform the operation in response to the AUDIT LIBRARY command entered by an administrator.

User Response: To obtain status on the process, issue the QUERY PROCESS command. The process may be canceled with the CANCEL PROCESS command.

ANR8458I

AUDIT LIBRARY process for library *library name* has been canceled.

Explanation: A background server process that has been working to audit the given library is canceled by the CANCEL PROCESS command.

System Action: The server process is ended and server operation continues.

User Response: None.

ANR8458I (AS/400)

AUDIT LIBRARY process for library *library name* has been canceled.

Explanation: A background server process that has been working to audit the given library is canceled by the CANCEL PROCESS command.

System Action: The server process is ended and server operation continues.

User Response: No action is required.

ANR8459I

Auditing volume inventory for library *library name*.

Explanation: In response to a QUERY PROCESS command, this message displays the status for an AUDIT LIBRARY process on the server.

System Action: Server operation continues.

User Response: None. The process may be canceled by an authorized administrator using the CANCEL PROCESS command.

ANR8459I (AS/400)

Auditing volume inventory for library *library name*.

Explanation: In response to a QUERY PROCESS command, this message displays the status for an AUDIT LIBRARY process on the server.

User Response: No action is required. The process may be canceled by an authorized administrator by using the CANCEL PROCESS command.

ANR8460E

AUDIT LIBRARY process for library *library name* failed.

Explanation: The background process for an AUDIT LIBRARY command has failed.

System Action: The background process ends.

User Response: Make sure the library and drive devices associated with this command are powered on and ready, then reissue the command.

ANR8460E (AS/400)

AUDIT LIBRARY process for library *library name* failed.

Explanation: The background process for an AUDIT LIBRARY command has failed.

System Action: The background process ends.

User Response: Make sure the library and drive devices associated with this command are powered on and ready, and then reissue the command.

ANR8461I **AUDIT LIBRARY process for library *library name* completed successfully.**

Explanation: The background process for an AUDIT LIBRARY command has completed successfully.

System Action: The library inventory is updated to match the contents of the library as found during the audit operation.

User Response: None.

ANR8461I (AS/400)

AUDIT LIBRARY process for library *library name* completed successfully.

Explanation: The background process for an AUDIT LIBRARY command has completed successfully.

System Action: The library inventory is updated to match the contents of the library as found during the audit operation.

User Response: No action is required.

ANR8462I **End-of-side reached for *device type* volume *volume name*.**

Explanation: The server has detected an end-of-side condition for the given two sided volume.

System Action: The server will access the second side of the volume.

User Response: None.

ANR8463E ***Device type* volume *volume name* is write protected.**

Explanation: The server has detected a write-protect condition for the given volume.

System Action: The server will dismount the volume and continue processing with another volume.

User Response: Adjust the write-protect switch on the volume so that writing is allowed. If the volume is an optical volume and the write-protect switch is already set to allow writing, use the MOVE DATA command to move the data off of the volume. Rewritable volumes may be reformatted and reused after the data is moved to another volume.

ANR8463E (AS/400)

***Device type* volume *volume name* is write protected.**

Explanation: The server has detected a write protect condition for the given volume.

System Action: The server dismounts the volume and continues processing with another volume.

User Response: Adjust the write protect switch on the volume so that writing is allowed.

ANR8464E *command: Invalid update request for library library name.*

Explanation: An invalid update request has been made for the given library. This can occur if a new device name is given and the characteristics of the device do not match the characteristics of the original device.

System Action: The server does not process the command.

User Response: If a different type of library device has been installed, the old library definition must be deleted with a DELETE LIBRARY command, and a new library must be defined. The UPDATE LIBRARY command cannot be used in this case.

ANR8464E (AS/400)

Invalid update request for library library name.

Explanation: An invalid update request has been made for the given library. This can occur if a new device name is given and the characteristics of the device do not match the characteristics of the original device.

System Action: The server does not process the command.

User Response: If a different type of library device has been installed, delete the old library definition with a DELETE LIBRARY command, and define a new library. The UPDATE LIBRARY command cannot be used in this case.

ANR8465I **Library library name updated.**

Explanation: An UPDATE LIBRARY request has been successfully processed for the given library.

System Action: The server updates its information about the library.

User Response: None.

ANR8465I (AS/400)

Library library name updated.

Explanation: An UPDATE LIBRARY request has been successfully processed for the given library.

System Action: The server updates its information about the library.

User Response: None.

ANR8466E *command: Invalid update request for drive drive name in library library name.*

Explanation: An invalid update request has been made for the given drive. This can occur if a new device name is given and the characteristics of the device do not match the characteristics of the original device.

System Action: The server does not process the command.

User Response: If a different type of drive has been installed, the old drive definition must be deleted with a DELETE DRIVE operation, and a new drive must be defined. The UPDATE DRIVE command cannot be used in this case.

ANR8466E (AS/400)

Invalid update request for drive drive name in library library name.

Explanation: An invalid update request has been made for the given drive. This can occur if a new device name is given and the characteristics of the device do not match the characteristics of the original device.

System Action: The server does not process the command.

User Response: If a different type of drive has been installed, delete the old drive definition with a DELETE DRIVE command, and define a new drive. The UPDATE DRIVE command cannot be used in this case.

ANR8467I **Drive drive name in library library name updated.**

Explanation: An UPDATE DRIVE request has been successfully processed for the given drive.

System Action: The server updates its information about the drive.

User Response: None.

ANR8467I (AS/400)

Drive drive name in library library name updated.

Explanation: An UPDATE DRIVE request has been successfully processed for the given drive.

System Action: The server updates its information about the drive.

User Response: None.

ANR8468I *device type volume volume name* **dismounted from drive drive name in library library name.**

Explanation: The specified volume has been dismounted from the given drive.

System Action: None.

User Response: If the type of the given library is MANUAL, the operator may elect to remove the volume (which has already been ejected) from the drive and store it in an appropriate location. For automated libraries, this message is purely informational.

ANR8468I (AS/400)

Device type volume volume name **dismounted from drive drive name in library library name.**

Explanation: The specified volume has been dismounted from the given drive.

System Action: None.

User Response: If the type of the given library is MANUAL or USRDFN, the operator may elect to remove the volume (which has already been ejected) from the drive and store it in an appropriate location. For automated libraries, this message is only informational.

ANR8469E

Dismount of device type volume volume name from drive drive name in library library name failed.

Explanation: An attempt to dismount the designated volume failed due to an I/O error.

System Action: None.

User Response: If the type of the given library is MANUAL, the volume can be manually ejected and removed from the drive. For automated libraries, manual intervention may be required to correct the problem.

ANR8469E (AS/400)

Dismount of device type volume volume name from drive drive name in library library name failed.

Explanation: An attempt to dismount the designated volume failed due to an I/O error or a DISMOUNT Exit error.

System Action: None.

User Response: If the type of the given library is MANUAL or USRDFN, the volume can be manually ejected and removed from the drive. For automated libraries, manual intervention may be required to correct the problem.

ANR8470W

Initialization failure on drive drive name in library library name.

Explanation: The specified drive could not be initialized at this time.

System Action: The initialization of the specified library continues.

User Response: Examine previous messages for additional information regarding the specified drive.

ANR8471E

Drive *drive name* **of library** *library name* **is offline; server no longer polling drive.**

Explanation: The server is unable to use the mentioned drive. This may be for the following reasons:

- The drive cannot be opened
- In the case of a 3494 or a library that can be partitioned, the drive may be unavailable to the library manager, may be in use by another application, or may be loaded with a cartridge not labeled for server use.

System Action: The drive is offline and is not used for tape operations.

User Response: Determine the reason the drive is inaccessible, such as hardware errors reported in the system logs. Render any needed corrections to the drive. Then, the drive may be made online by issuing the UPDATE DRIVE command with the ONLINE=YES option.

ANR8472I

Error reading label of volume in drive *drive name* **of library** *library name*.

Explanation: While processing a search-mode CHECKIN LIBVOLUME command for the designated library, the server finds a volume whose label cannot be read.

System Action: The volume is dismounted and is not checked into the library.

User Response: Remove the volume from the library and ensure that it is properly labeled. After doing so, the volume can be checked into the library.

ANR8493I

device type **volume** *volume name* **mounted in drive** *drive name* **in library** *library name*.

Explanation: The specified volume has been mounted in the specified drive.

System Action: None.

User Response: For automated libraries, this message is purely informational.

ANR8494E

Command: An option specified is not valid for *library type* **libraries.**

Explanation: A requested option is not valid for libraries of the given type for the specified command.

System Action: The command is not processed.

User Response: None.

ANR8495E *Device type* **volume** *volume name* **cannot be written by BACKUP DB operation.**

Explanation: The specified volume already exists or contains data, so that the server cannot allow new BACKUP DB data to be written to it. Or there is no space available on the destination filespace to write this backup to.

System Action: The server detects that the given volume already contains some data that would be overwritten by the requested BACKUP DB command, or that there is not enough space available.

User Response: If the specified volume does not contain any valuable data, delete it and retry the BACKUP DB command.

ANR8496E **Device class** *device class* **not defined in device configuration information file.**

Explanation: The command that has been issued requires that the specified device class be defined in the device configuration information file. This definition was not found or the statements in the file are in the wrong order.

System Action: The command is not processed.

User Response: Reissue the command, and specify a valid device class. Refresh your device configuration information file by issuing the BACKUP DEVCONFIG command.

ANR8497E **Library** *library* **not defined in device configuration information file.**

Explanation: The specified command requires that the specified library be defined in the device configuration information file. This definition was not found or the statements in the file are in the wrong order.

System Action: The command is not processed.

User Response: Refresh your device configuration information file by issuing the BACKUP DEVCONFIG command. Make sure a library is defined for the device class. Reissue the command.

ANR8498E **Drive not defined for library** *library* **in device configuration information file.**

Explanation: The specified command requires that the specified drive be defined in the device configuration information file for the specified library. This definition was not found or the statements in the file are in the wrong order.

System Action: The command is not processed.

User Response: Refresh your device configuration information file by issuing the BACKUP DEVCONFIG command. Make sure a drive is defined for the library associated with the device class. Reissue the command.

ANR8499I Command accepted.

Explanation: The command is accepted and processed by the server.

System Action: The server processes the command.

User Response: None.

ANR8499I (AS/400)

Command accepted.

Explanation: The command is accepted and processed by the server.

System Action: The server processes the command.

User Response: None.

ANR8511E (AS/400)

Message queue *library name/message queue name* is not available.

Explanation: Either the message queue object does not exist or the authority is incorrect.

System Action: The command is not processed.

User Response: Correct the message queue object name, create the message queue object, or change the authority and reissue the command.

ANR8512I (AS/400)

Message queue is set to *library name/message queue name*.

Explanation: The message queue is set successfully.

System Action: The message queue is set successfully. Messages will be sent to the message queue.

User Response: None.

ANR8513I (AS/400)

Message queue is set to *the value of the message queue*.

Explanation: The message queue is set to a special value. For example, "**NONE*" is to turn off the message queue; "**SYOPR*" is to send the messages to the system operator's message queue.

System Action: The message queue is set successfully. Messages will be sent to the message queue.

User Response: None.

ANR8550E (AIX) Error opening *filespec*.

Explanation: An error occurs while attempting an open operation.

System Action: Server processing continues.

User Response: Refer to the other displayed messages to determine why the open operation failed; correct the problem and restart the process.

ANR8550E (AS/400)

Error opening *filespec*.

Explanation: ADSM detects an error while attempting an open operation.

System Action: Server processing continues.

User Response: Refer to the other displayed messages to determine why the open operation has failed. Correct the problem and restart the process.

ANR8550E (HP-UX)

Error opening *file name*.

Explanation: An error occurs while the server attempts a file open operation.

System Action: Server processing continues.

User Response: Refer to the other displayed messages to determine why the open operation failed; correct the problem and restart the process.

ANR8550E (Solaris)

Error opening *file name*.

Explanation: An error occurs while the server attempts a file open operation.

System Action: Server processing continues.

User Response: Refer to the other displayed messages to determine why the open operation failed; correct the problem and restart the process.

ANR8550E (Windows NT)

Error opening *filespec*.

Explanation: The server detects an error while attempting an open operation.

System Action: Server processing continues.

User Response: Refer to the other displayed messages to determine why the open operation has failed; correct the problem and restart the process.

ANR8551E (AIX) An error (*error code*) occurred during a write operation.

Explanation: An error occurs while attempting a write operation.

System Action: Server processing continues.

User Response: Refer to the other displayed messages to determine why the write operation failed; correct the problem and restart the process.

ANR8551E (AS/400)

An error (*error code*) occurred during a write operation.

Explanation: ADSM detects an error while attempting a write operation.

System Action: Server processing continues.

User Response: Refer to the other displayed messages to determine why the write operation has failed; correct the problem and restart the process.

ANR8551E (HP-UX)

An error (*error code*) occurred during a write operation.

Explanation: An error occurs while the server attempts a write operation.

System Action: Server processing continues.

User Response: Refer to the other displayed messages to determine why the write operation failed; correct the problem and restart the process.

ANR8551E (Solaris)

An error (*error code*) occurred during a write operation.

Explanation: An error occurs while the server attempts a write operation.

System Action: Server processing continues.

User Response: Refer to the other displayed messages to determine why the write operation failed; Correct the problem and restart the process.

ANR8551E (Windows NT)

An error (*error code*) occurred during a write operation.

Explanation: The server detects an error while attempting a write operation.

System Action: Server processing continues.

User Response: Refer to the other displayed messages to determine why the write operation has failed; correct the problem and restart the process.

ANR8552E (AIX) An error (*error code*) occurred during a read operation.

Explanation: An error occurs while attempting a read operation.

System Action: Server processing continues.

User Response: Refer to the other displayed messages to determine why the read operation failed; correct the problem and restart the process.

ANR8552E (AS/400)

An error (*error code*) occurred during a read operation.

Explanation: ADSM detects an error while attempting a read operation.

System Action: Server processing continues.

User Response: Refer to the other displayed messages to determine why the read operation has failed. Correct the problem and restart the process.

ANR8552E (HP-UX)

An error (*error code*) occurred during a read operation.

Explanation: An error occurs while the server attempts a read operation.

System Action: Server processing continues.

User Response: Refer to the other displayed messages to determine why the read operation failed; correct the problem and restart the process.

ANR8552E (Solaris)

An error (*error code*) occurred during a read operation.

Explanation: An error occurs while the server attempts a read operation.

System Action: Server processing continues.

User Response: Refer to the other displayed messages to determine why the read operation failed; correct the problem and restart the process.

ANR8552E (Windows NT)

An error (*error code*) occurred during a read operation.

Explanation: The server detects an error while attempting a read operation.

System Action: Server processing continues.

User Response: Refer to the other displayed messages to determine why the read operation has failed; correct the problem and restart the process.

ANR8553E (AIX) *Device type volume volume name cannot be overwritten by DUMPDB operation.*

Explanation: The specified volume already exists or contains data, so that the server cannot allow new DUMPDB data to be written to it.

System Action: The server has detected that the given volume already contains some data that would be overwritten by the requested DUMPDB operation.

User Response: If the specified volume does not contain any valuable data, delete it and retry the DUMPDB operation.

ANR8553E (AS/400)

Device type volume volume name cannot be overwritten by DUMPDB operation.

Explanation: The specified volume already exists or contains data, so that the server cannot allow new DUMPDB data to be written to it.

System Action: The server detects that the given volume already contains data that would be overwritten by the requested DUMPDB operation.

User Response: If the specified volume does not contain any valuable data, delete it, and try the DUMPDB operation again.

ANR8553E (HP-UX)

Device type volume volume name cannot be overwritten by DUMPDB operation.

Explanation: The specified volume already exists or contains data, so that the server cannot allow new DUMPDB data to be written to it.

System Action: The server has detected that the given volume already contains data that would be overwritten by the requested DUMPDB operation.

User Response: If the specified volume does not contain any valuable data, delete it and retry the DUMPDB operation, or specify a different volume name.

ANR8553E (Solaris)

Device type volume volume name cannot be overwritten by DUMPDB operation.

Explanation: The specified volume already exists or contains data, so that the server cannot allow new DUMPDB data to be written to it.

System Action: The server has detected that the given volume already contains data that would be overwritten by the requested DUMPDB operation.

User Response: If the specified volume does not contain any valuable data, delete it and retry the DUMPDB operation, or specify a different volume name.

ANR8553E (Windows NT)

Device type **volume** *volume name* **cannot be overwritten by DUMPDB operation.**

Explanation: The specified volume already exists or contains data, so that the server cannot allow new DUMPDB data to be written to it.

System Action: The server detects that the given volume already contains some data that would be overwritten by the requested DUMPDB operation.

User Response: If the specified volume does not contain any valuable data, delete it and retry the DUMPDB operation.

ANR8554W (AIX)

Dump/load command: **Device class** *device class name* **not defined. Devtype of FILE is assumed.**

Explanation: The specified device class name is not defined with the DUMLOADDB DEVCLASS option, to the server in the server options file or the server is not able to define the specified device class.

System Action: Processing continues. The dump/load process assumes the device class is devtype=FILE and writes to or reads from a file.

User Response: Refer to the other displayed messages to determine why the device class is not defined. Correct the problem and restart the command if you do not wish to write to or read from a file.

ANR8554W (AS/400)

Dump/load command: **Device class** *device class name* **not defined. Devtype of FILE is assumed.**

Explanation: The specified device class name is not defined with the DUMLOADDB DEVCLASS option to the server in the server options file or the server cannot define the specified device class.

System Action: Processing continues. The dump/load process assumes the device class is devtype=FILE, and writes to or reads from a file.

User Response: Refer to the other displayed messages to determine why the device class has not been defined. Correct the problem and restart the command if you do not wish to write to or read from a file.

ANR8554W (HP-UX)

Dump/load command: **Device class device class name not defined. Devtype of FILE is assumed.**

Explanation: The specified device class name is not defined with the DUMPLOADDB DEVCLASS option, to the server in the server options file or the server is not able to define the specified device class.

System Action: Processing continues. The dump/load process assumes the device class is devtype=FILE and writes to or reads from a file.

User Response: Refer to the other displayed messages to determine why the device class is not defined. Correct the problem and restart the command if you do not wish to write to or read from a file.

ANR8554W (Solaris)

Dump/load command: **Device class device class name not defined. Devtype of FILE is assumed.**

Explanation: The specified device class name is not defined with the DUMPLOADDB DEVCLASS option, to the server in the server options file or the server is not able to define the specified device class.

System Action: Processing continues. The dump/load process assumes the device class is devtype=FILE and writes to or reads from a file.

User Response: Refer to the other displayed messages to determine why the device class is not defined. Correct the problem and restart the command if you do not wish to write to or read from a file.

ANR8555W (AS/400)

Command: **The value of this command results in ADSM recovery files that cannot be edited on the AS/400.**

Explanation: The SET LRECLRECOVERYFILE command has changed the value of this option to greater than 240. An AS/400 file with an LRECL greater than 240 cannot be edited on the AS/400. The ADSM recovery files affected by this option are the volume history file, the device configuration file and the DRM recovery plan file.

System Action: The server processes the command.

User Response: Ignore the warning or set the LRECLRECOVERYFILE option to a value less than 241. If the warning is ignored and it becomes necessary to edit the ADSM recovery files, the files will have to be edited on a platform other than the AS/400 and returned to the AS/400. For example, it may be necessary to FTP the files to a PC Workstation, edit them there and FTP the changed files back to the AS/400. While editing the files, ensure that the new LRECL does not exceed that of

the original files on the AS/400. If the LRECL of the files is increased during the edit process, they will be truncated when they are returned to the AS/400.

Note: If an ADSM recovery file exists with an LRECL that is different than what is being used on the LRECLRECOVERYFILE option, the existing file must be deleted and re-created with the appropriate BACKUP command. For example, the device configuration file is re-created with the BACKUP DEVCONFIG command.

ANR8556W (AS/400)

LRECLRECOVERYFILE statement in file *filespec* results in ADSM recovery files that cannot be edited on the AS/400.

Explanation: While processing the specified server options file, the server has encountered an LRECLRECOVERYFILE statement with a value greater than 240. An AS/400 file with an LRECL greater than 240 cannot be edited on the AS/400. The ADSM recovery files affected by this option are the volume history file, the device configuration file and the DRM recovery plan file.

System Action: Server initialization continues.

User Response: Ignore the warning or change the LRECLRECOVERYFILE statement to a value less than 241 and restart the server. If the warning is ignored and it becomes necessary to edit the ADSM recovery files, the files will have to be edited on a platform other than the AS/400 and returned to the AS/400. For example, it may be necessary to FTP the files to a PC Workstation, edit them there and FTP the changed files back to the AS/400. While editing the files, ensure that the new LRECL does not exceed that of the original files on the AS/400. If the LRECL of the files is increased during the edit process, they will be truncated when they are returned to the AS/400.

Note: If an ADSM recovery file exists with an LRECL that is different than what is being used on the LRECLRECOVERYFILE option, the existing file must be deleted and re-created with the appropriate BACKUP command. For example, the device configuration file is re-created with the BACKUP DEVCONFIG command.

ANR8557E (AS/400)

Truncation occurred during a write operation.

Explanation: ADSM has detected a truncation while attempting a write operation.

System Action: The server activity which encountered this error will end, but server processing continues.

User Response: Refer to the other displayed messages to determine which file was involved when the write operation failed. As a group, the volume history file, the

device configuration file and the DRM recovery plan file are referred to as the ADSM recovery files. If the file that encountered the error is one of the ADSM recovery files, the problem can be corrected with one of two methods. First, the length of the statements being written to these files can be controlled by the values in certain ADSM definitions. Second, the LRECLRECOVERYFILE option can be changed in the server options file. The SET LRECLRECOVERYFILE command can be used to change it for the currently running server. If the SET LRECLRECOVERYFILE command is used, the server does not have to be halted. Once the server is halted and restarted, the value in the options file will be used. To make the change permanent, the options file should be updated. Prior to making a change to the LRECLRECOVERYFILE option, please consider that a value greater than 240 results in a file that cannot be edited on the AS/400. If the file that encountered the error is NOT one of the ADSM recovery files, correct the problem and restart the process.

ANR8570E (AIX) HTTPS Initialization failed. No keyring file or keyring password were specified.

Explanation: HTTPS required keyring file and keyring password are not found.

System Action: The HTTPS COMMMethod is not initialized.

User Response: Ensure server has access to keyring file and password. Re-start the server.

ANR8570E (HP-UX)

HTTPS Initialization failed. No keyring file or keyring password were specified.

Explanation: HTTPS required keyring file and keyring password are not found.

System Action: The HTTPS COMMMethod is not initialized.

User Response: Ensure server has access to keyring file and password. Re-start the server.

ANR8570E (Solaris)

HTTPS Initialization failed. No keyring file or keyring password were specified.

Explanation: HTTPS required keyring file and keyring password are not found.

System Action: The HTTPS COMMMethod is not initialized.

User Response: Ensure server has access to keyring file and password. Re-start the server.

ANR8570E (Windows NT)

HTTPS Initialization failed. No keyring file or keyring password were specified.

Explanation: HTTPS required keyring file and keyring password are not found.

System Action: The HTTPS COMMMethod is not initialized.

User Response: Ensure server has access to keyring file and password. Re-start the server.

ANR8571E (AIX) HTTPS Initialization failed. The keyring file format is invalid.

Explanation: HTTPS required keyring file has an invalid format.

System Action: The HTTPS COMMMethod is not initialized.

User Response: Keyring file may be corrupted. Obtain new copy of the keyring file, then re-start the server.

ANR8571E (HP-UX)

HTTPS Initialization failed. The keyring file format is invalid.

Explanation: HTTPS required keyring file has an invalid format.

System Action: The HTTPS COMMMethod is not initialized.

User Response: Keyring file may be corrupted. Obtain new copy of the keyring file, then re-start the server.

ANR8571E (Solaris)

HTTPS Initialization failed. The keyring file format is invalid.

Explanation: HTTPS required keyring file has an invalid format.

System Action: The HTTPS COMMMethod is not initialized.

User Response: Keyring file may be corrupted. Obtain new copy of the keyring file, then re-start the server.

ANR8571E (Windows NT)

HTTPS Initialization failed. The keyring file format is invalid.

Explanation: HTTPS required keyring file has an invalid format.

System Action: The HTTPS COMMMethod is not initialized.

User Response: Keyring file may be corrupted. Obtain new copy of the keyring file, then re-start the server.

ANR8572E (AIX) HTTPS Initialization failed. The keyring file password is invalid.

Explanation: An invalid password was specified for the HTTPS keyring file.

System Action: The HTTPS COMMMethod is not initialized.

User Response: Obtain the correct password for the keyring file. Then re-start the server.

ANR8572E (HP-UX)**HTTPS Initialization failed. The keyring file password is invalid.**

Explanation: An invalid password was specified for the HTTPS keyring file.

System Action: The HTTPS COMMMethod is not initialized.

User Response: Obtain the correct password for the keyring file. Then re-start the server.

ANR8572E (Solaris)**HTTPS Initialization failed. The keyring file password is invalid.**

Explanation: An invalid password was specified for the HTTPS keyring file.

System Action: The HTTPS COMMMethod is not initialized.

User Response: Obtain the correct password for the keyring file. Then re-start the server.

ANR8572E (Windows NT)**HTTPS Initialization failed. The keyring file password is invalid.**

Explanation: An invalid password was specified for the HTTPS keyring file.

System Action: The HTTPS COMMMethod is not initialized.

User Response: Obtain the correct password for the keyring file. Then re-start the server.

ANR8573E (AIX) HTTPS Initialization failed. I/O error occurred reading the keyring file.

Explanation: An unknown I/O error occurred reading the keyring file.

System Action: The HTTPS COMMMethod is not initialized.

User Response: Keyring file may be corrupted. Obtain new copy of the keyring file, then re-start the server.

ANR8573E (HP-UX)

HTTPS Initialization failed. I/O error occurred reading the keyring file.

Explanation: An unknown I/O error occurred reading the keyring file.

System Action: The HTTPS COMMMethod is not initialized.

User Response: Keyring file may be corrupted. Obtain new copy of the keyring file, then re-start the server.

ANR8573E (Solaris)

HTTPS Initialization failed. I/O error occurred reading the keyring file.

Explanation: An unknown I/O error occurred reading the keyring file.

System Action: The HTTPS COMMMethod is not initialized.

User Response: Keyring file may be corrupted. Obtain new copy of the keyring file, then re-start the server.

ANR8573E (Windows NT)

HTTPS Initialization failed. I/O error occurred reading the keyring file.

Explanation: An unknown I/O error occurred reading the keyring file.

System Action: The HTTPS COMMMethod is not initialized.

User Response: Keyring file may be corrupted. Obtain new copy of the keyring file, then re-start the server.

ANR8574E (AIX) HTTPS Initialization failed. Could not open the the keyring file.

Explanation: The keyring file could not be found or did not allow access.

System Action: The HTTPS COMMMethod is not initialized.

User Response: Ensure the keyring file is present and has read access allowed. Then re-start the server.

ANR8574E (HP-UX)

HTTPS Initialization failed. Could not open the the keyring file.

Explanation: The keyring file could not be found or did not allow access.

System Action: The HTTPS COMMMethod is not initialized.

User Response: Ensure the keyring file is present and has read access allowed. Then re-start the server.

ANR8574E (Solaris)

HTTPS Initialization failed. Could not open the the keyring file.

Explanation: The keyring file could not be found or did not allow access.

System Action: The HTTPS COMMMethod is not initialized.

User Response: Ensure the keyring file is present and has read access allowed. Then re-start the server.

ANR8574E (Windows NT)

HTTPS Initialization failed. Could not open the the keyring file.

Explanation: The keyring file could not be found or did not allow access.

System Action: The HTTPS COMMMethod is not initialized.

User Response: Ensure the keyring file is present and has read access allowed. Then re-start the server.

ANR8575E (AIX) HTTPS Initialization failed. The specified certificate within the keyring file has expired.

Explanation: The default or specified certificate within the keyring file has expired. access.

System Action: The HTTPS COMMMethod is not initialized.

User Response: The certificate must be renewed and re-instated into the keyring file. Then re-start the server.

ANR8575E (HP-UX)

HTTPS Initialization failed. The specified certificate within the keyring file has expired.

Explanation: The default or specified certificate within the keyring file has expired. access.

System Action: The HTTPS COMMMethod is not initialized.

User Response: The certificate must be renewed and re-instated into the keyring file. Then re-start the server.

ANR8575E (Solaris)

HTTPS Initialization failed. The specified certificate within the keyring file has expired.

Explanation: The default or specified certificate within the keyring file has expired. access.

System Action: The HTTPS COMMMethod is not initialized.

User Response: The certificate must be renewed and re-instated into the keyring file. Then re-start the server.

ANR8575E (Windows NT)

HTTPS Initialization failed. The specified certificate within the keyring file has expired.

Explanation: The default or specified certificate within the keyring file has expired.

System Action: The HTTPS COMMMethod is not initialized.

User Response: The certificate must be renewed and re-instated into the keyring file. Then re-start the server.

ANR8576E (AIX) HTTPS Initialization failed. The specified cert within the keyring file has as an invalid distinguished name.

Explanation: The distinguished name for the specified cert is invalid.

System Action: The HTTPS COMMMethod is not initialized.

User Response: Ensure the correct keyring has been specified and that the keyring contains the correct distinguished name. Then re-start the server.

ANR8576E (HP-UX)

HTTPS Initialization failed. The specified cert within the keyring file has as an invalid distinguished name.

Explanation: The distinguished name for the specified cert is invalid.

System Action: The HTTPS COMMMethod is not initialized.

User Response: Ensure the correct keyring has been specified and that the keyring contains the correct distinguished name. Then re-start the server.

ANR8576E (Solaris)

HTTPS Initialization failed. The specified cert within the keyring file has as an invalid distinguished name.

Explanation: The distinguished name for the specified cert is invalid.

System Action: The HTTPS COMMMethod is not initialized.

User Response: Ensure the correct keyring has been specified and that the keyring contains the correct distinguished name. Then re-start the server.

ANR8576E (Windows NT)

HTTPS Initialization failed. The specified cert within the keyring file has an invalid distinguished name.

Explanation: The distinguished name for the specified cert is invalid.

System Action: The HTTPS COMMMethod is not initialized.

User Response: Ensure the correct keyring has been specified and that the keyring contains the correct distinguished name. Then re-start the server.

ANR8675E (AIX) *File name with environment variable DSMSErv_DIR: File already exists for File or Filetext Exit.*

Explanation: The specified file already exists and the file-exit option was set to PRESERVE.

System Action: Server continues running.

User Response: Specify a non-existent file.

ANR8675E (HP-UX)

File name with environment variable DSMSErv_DIR: File already exists for File or FileText Exit.

Explanation: The specified file already exists and the file-exit option was set to PRESERVE.

System Action: Server continues running.

User Response: Specify a non-existent file.

ANR8675E (S/390)

File name: File already exists for File Exit.

Explanation: The specified file already exists and the file-exit option was set to PRESERVE.

System Action: Server continues running.

User Response: Specify a non-existent file.

ANR8675E (Solaris)

File name with environment variable DSMSErv_DIR: File already exists for File/FileText Exit, overwrite option not set to YES.

Explanation: The specified file already exists and the overwrite option was not set to Yes.

System Action: Server continues running.

User Response: Specify another file or set the overwrite option to YES in the server options file.

ANR8675E (Windows NT)

File name with path within registry: **File already exists for File or FileText Exit.**

Explanation: The specified file already exists and the File/FileText exit option was set to PRESERVE.

System Action: Server continues running.

User Response: Specify a non-existent file.

ANR8676E (S/390)

User specified module: **Cannot load into server, system errno = Error number generated by MVS.**

Explanation: The server was unable to load the module specified. The module is not a properly C-compiled/linked dynamic module or an ASSEMBLER/PLI compiled module.

System Action: Server continues running.

User Response: Use the server supplied sample user-exit files as a starting point.

ANR8677E (AIX) *User specified module, with environment variable DSMSEV_DIR:* **Cannot load into server, system errno = Error number generated by AIX.**

Explanation: The server was unable to load the module specified. The module is not a properly C-compiled and linked dynamic module.

System Action: Server initialization stops or server continues running if already up.

User Response: Use the server supplied sample makefile and export files to compile-link the user-exit module. Make sure the export.ref file contains the server-defined function name, and the module actually contains the server-defined function name, with one void parameter declared.

ANR8677E (HP-UX)

User specified module, with environment variable DSMSEV_DIR: **Cannot load into server, system errno = Error number generated by HP-UX.**

Explanation: The server was unable to load the module specified. The module is not a properly C-compiled and linked dynamic module.

System Action: Server initialization stops or server continues running if already up.

User Response: Use the server supplied sample makefile and export files to compile-link the user-exit module. Make sure the export.ref file contains the server-defined function name, and the module actually contains the server-defined function name, with one void parameter declared.

ANR8677E (S/390)

The user-exit module loaded does not match with type specified in options file.

Explanation: The server was able to load a module, but the type of the module did not match the type specified in the server options file

System Action: Server initialization stops or server continues running if already up. The module is unloaded.

User Response: Check the user-exit module compilation type. Make sure it matches with what is specified in the options file. Only C, Assembler, and PLI compiled modules are supported.

ANR8677E (Solaris)

User specified module, with environment variable DSMSERV_DIR: Cannot load into server, system errno = Error number generated by Solaris.

Explanation: The server was unable to load the module specified. The module is not a properly C-compiled and linked dynamic module.

System Action: Server continues running.

User Response: Use the server supplied sample makefile, c , and h files to generate the user-exit module. Make sure the module contains server-defined function name adsmV3UserExit, and the module actually contains the server-defined function name, with one void * parameter declared, and returns void.

ANR8677E (Windows NT)

User specified module, with path within registry: Cannot load into server, system errno = Error number generated by NT.

Explanation: The server was unable to load the module specified. The module is not a properly C-compiled and linked dynamic module.

System Action: Server continues running.

User Response: Use the server supplied sample makefile compile-link the user-exit module.

ANR8678E (AIX) Cannot bind *User specified module, with environment variable DSMSERV_DIR into server, system errno = Error number generated by AIX.*

Explanation: The server was unable to bind with the module specified.

System Action: Server initialization stops or server continues running if already up.

User Response: Use the server supplied sample makefile and export files to compile-link the user-exit module. Make sure the export.ref file contains the server-defined function name, and the module actually contains the server-defined function name, with 1 void parameter declared. The module may contain a global variable name that conflicts with the server's.

ANR8678E (HP-UX)

Cannot bind *User specified module, with environment variable DSMSErv_DIR into server, system errno = Error number generated by HP-UX.*

Explanation: The server was unable to bind with the module specified.

System Action: Server initialization stops or server continues running if already up.

User Response: Use the server supplied sample makefile and export files to compile-link the user-exit module. Make sure the export.ref file contains the server-defined function name, and the module actually contains the server-defined function name, with one void parameter declared. The module may contain a global variable name that conflicts with the server's.

ANR8678E (Solaris)

Cannot bind *User specified module, with environment variable DSMSErv_DIR into server, system errno = Error number generated by Solaris.*

Explanation: The server was unable to bind with the module specified. The server could not find a function named adsmV3UserExit in the module.

System Action: Server continues running.

User Response: Use the server supplied sample makefile, c and header files to create the user exit module. Make sure the shared library module contains a function named adsmV3UserExit of type void, with one parameter of a void *.

ANR8678E (Windows NT)

Cannot find/set *User specified function name within DLL. in User specified DLL library name, with registry path, system errno = Error number generated by NT.*

Explanation: The server was unable to find and/or bind with the function name in the DLL specified.

System Action: Server continues running.

User Response: Use the server supplied sample makefile to compile-link the user-exit module. Make sure there is a function name in the DLL as specified in the server options file. Make sure the function only accepts one argument, a void pointer.

ANR8679W (AIX)

There is already an user-exit loaded.

Explanation: There was a previous successful load of an user-exit module, thus server cannot load another one.

System Action: Server initialization stops or server continues running if already up.

User Response: To load a new user-exit module, halt the server and then restart the server with the new user-exit module.

ANR8679W (HP-UX)

There is already an user-exit loaded.

Explanation: There was a previous successful load of an user-exit module, thus server cannot load another one.

System Action: Server initialization stops or server continues running if already up.

User Response: To load a new user-exit module, the server must be halted and then restart the server with the new user-exit module.

ANR8679W (Solaris)

Unable to unload user exit module: system errno = *Error number generated by Solaris.*

Explanation: The server was not able to unload the user-exit module.

System Action: Server continues running.

User Response: The server should be stopped at the earliest possible time before the user exit is to be reactivated.

ANR8679W (Windows NT)

There is already an user-exit loaded.

Explanation: There was a previous successful load of an user-exit module, thus server cannot load another one.

System Action: Server continues running.

User Response: To load a new user-exit module, halt the server and then restart the server with the new user-exit module.

ANR8680W (AIX)

There is already a file used for the file or filetext exit.

Explanation: There was a previous file open for the file or filetext exit. The server cannot open another one.

System Action: Server initialization stops or server continues running if already up.

User Response: To start a new file for the file or filetext exit, halt the server, then restart the server with the new file name.

ANR8680W (HP-UX)

There is already a file used for the file or filetext exit.

Explanation: There was a previous file open for the file or filetext exit. The server cannot open another one.

System Action: Server initialization stops or server continues running if already up.

User Response: To start a new file for the file or filetext exit, halt the server, then restart the server with a new file name.

ANR8680W (Solaris)

There is already a named file used for the file or filetext exit.

Explanation: There was a previous file open for the file or filetext exit. The server cannot open another one.

System Action: Server initialization stops or server continues running if already up.

User Response: To start a new file for the file or the filetext exit, halt the server, then restart the server with a new file name.

ANR8680W (Windows NT)

There is already a file used for the file or filetext exit.

Explanation: There was a previous file open for the file or filetext exit. The server cannot open another one.

System Action: Server continues running.

User Response: To start a new file for the exit, halt the server, then restart the server with a new file name.

ANR8681I (AIX) Connected to Tivoli event server at *node name* on port *port*.

Explanation: The server successfully established a connection with the Tivoli event server on the specified *node name* and *port*.

System Action: The server sends events to the Tivoli event server using this connection.

User Response: None.

ANR8681I (HP-UX)

Connected to Tivoli event server at *node name* on port *port*.

Explanation: The server successfully established a connection with the Tivoli event server on the specified *node name* and *port*.

System Action: The server sends events to the Tivoli event server using this connection.

User Response: None.

ANR8681I (S/390)

Connected to Tivoli event server at *node name* on port *port*.

Explanation: The server successfully established a connection with the Tivoli event server on the specified *node name* and *port*.

System Action: The server sends events to the Tivoli event server using this connection.

User Response: None.

ANR8681I (Solaris)

Connected to Tivoli event server at *node name* on port *port*.

Explanation: The server successfully established a connection with the Tivoli event server on the specified *node name* and *port*.

System Action: The server sends events to the Tivoli event server using this connection.

User Response: None.

ANR8681I (Windows NT)

Connected to Tivoli event server at *node name* on port *port*.

Explanation: The server successfully established a connection with the Tivoli event server on the specified *node name* and *port*.

System Action: The server sends events to the Tivoli event server using this connection.

User Response: None.

ANR8682E (AIX) Unable to determine port of Tivoli event server on *node name*.

Explanation: The server was unable to determine the TCP/IP port on which the Tivoli event server on *node name* is listening.

System Action: Event logging to the Tivoli event server is disabled.

User Response: Ensure that the Tivoli event server is running on the specified system. If the system on which the event server is running does not support the TCP/IP Portmapper, then ensure that TECPORT is specified in the server options file.

ANR8682E (HP-UX)

Unable to determine port of Tivoli event server on *node name*.

Explanation: The server was unable to determine the TCP/IP port on which the Tivoli event server on *node name* is listening.

System Action: Event logging to the Tivoli event server is disabled.

User Response: Ensure that the Tivoli event server is running on the specified system. If the system on which the event server is running does not support the TCP/IP Portmapper, then ensure that TECPORT is specified in the server options file.

ANR8682E (S/390)

Unable to determine port of Tivoli event server on *node name*.

Explanation: The server was unable to determine the TCP/IP port on which the Tivoli event server on *node name* is listening.

System Action: Event logging to the Tivoli event server is disabled.

User Response: Ensure that the Tivoli event server is running on the specified system. If the system on which the event server is running does not support the TCP/IP Portmapper, then ensure that TECPORT is specified in the server options file.

ANR8682E (Solaris)

Unable to determine port of Tivoli event server on *node name*.

Explanation: The server was unable to determine the TCP/IP port on which the Tivoli event server on *node name* is listening.

System Action: Event logging to the Tivoli event server is disabled.

User Response: Ensure that the Tivoli event server is running on the specified system. If the system on which the event server is running does not support the TCP/IP Portmapper, then ensure that TECPORT is specified in the server options file.

ANR8682E (Windows NT)

Unable to determine port of Tivoli event server on *node name*.

Explanation: The server was unable to determine the TCP/IP port on which the Tivoli event server on *node name* is listening.

System Action: Event logging to the Tivoli event server is disabled.

User Response: Ensure that the Tivoli event server is running on the specified system. If the system on which the event server is running does not support the TCP/IP Portmapper, then ensure that TECPORT is specified in the server options file.

ANR8683E (AIX) Unable to connect to the Tivoli event server at *node name* on port *port*.

Explanation: The server was unable to establish a TCP/IP connection with the Tivoli event server on *node name* at port *port*.

System Action: Event logging to the Tivoli event server is disabled.

User Response: Ensure that the Tivoli event server is running on the specified system. If the system on which the event server is running does not support the TCP/IP Portmapper, then ensure that the value specified for TECPORT in the server options file is correct.

ANR8683E (HP-UX)

Unable to connect to the Tivoli event server at *node name* on port *port*.

Explanation: The server was unable to establish a TCP/IP connection with the Tivoli event server on *node name* at port *port*.

System Action: Event logging to the Tivoli event server is disabled.

User Response: Ensure that the Tivoli event server is running on the specified system. If the system on which the event server is running does not support the TCP/IP Portmapper, then ensure that the value specified for TECPORT in the server options file is correct.

ANR8683E (S/390)

Unable to connect to the Tivoli event server at *node name* on port *port*.

Explanation: The server was unable to establish a TCP/IP connection with the Tivoli event server on *node name* at port *port*.

System Action: Event logging to the Tivoli event server is disabled.

User Response: Ensure that the Tivoli event server is running on the specified system. If the system on which the event server is running does not support the TCP/IP Portmapper, then ensure that the value specified for TECPORT in the server options file is correct.

ANR8683E (Solaris)

Unable to connect to the Tivoli event server at *node name* on port *port*.

Explanation: The server was unable to establish a TCP/IP connection with the Tivoli event server on *node name* at port *port*.

System Action: Event logging to the Tivoli event server is disabled.

User Response: Ensure that the Tivoli event server is running on the specified system. If the system on which the event server is running does not support the TCP/IP Portmapper, then ensure that the value specified for TECPORT in the server options file is correct.

ANR8683E (Windows NT)

Unable to connect to the Tivoli event server at *node name* on port *port*.

Explanation: The server was unable to establish a TCP/IP connection with the Tivoli event server on *node name* at port *port*.

System Action: Event logging to the Tivoli event server is disabled.

User Response: Ensure that the Tivoli event server is running on the specified system. If the system on which the event server is running does not support the TCP/IP Portmapper, then ensure that the value specified for TECPORT in the server options file is correct.

ANR8684E (AIX) Unable to connect to the Tivoli event server because TCP/IP is not available.

Explanation: The server was unable to establish a TCP/IP connection with the Tivoli event server because TCP/IP services were not available.

System Action: Event logging to the Tivoli event server is disabled.

User Response:

- Ensure that COMMMETHOD TCPIP is specified in the server options file.

-
- If COMMMETHOD TCPIP was specified, use the BEGIN EVENTLOGGING TIVOLI command to manually start event logging to the Tivoli event server once server initialization has completed.
-

ANR8684E (HP-UX)

Unable to connect to the Tivoli event server because TCP/IP is not available.

Explanation: The server was unable to establish a TCP/IP connection with the Tivoli event server because TCP/IP services were not available.

System Action: Event logging to the Tivoli event server is disabled.

User Response:

- Ensure that COMMMETHOD=TCPIP is specified in the server options file, or that COMMMETHOD=NONE is not specified.
 - If COMMMETHOD=TCPIP was specified, use the BEGIN EVENTLOGGING TIVOLI command to manually start event logging to the Tivoli event server once server initialization has completed.
-

ANR8684E (S/390)

Unable to connect to the Tivoli event server because TCP/IP is not available.

Explanation: The server was unable to establish a TCP/IP connection with the Tivoli event server because TCP/IP services were not available.

System Action: Event logging to the Tivoli event server is disabled.

User Response:

- Ensure that a valid value for TCPNAME is specified in the server options file.
 - If TCPNAME has the correct value, use the BEGIN EVENTLOGGING TIVOLI command to manually start event logging to the Tivoli event server once the server initialization has completed.
-

ANR8684E (Solaris)

Unable to connect to the Tivoli event server because TCP/IP is not available.

Explanation: The server was unable to establish a TCP/IP connection with the Tivoli event server because TCP/IP services were not available.

System Action: Event logging to the Tivoli event server is disabled.

User Response:

- Ensure that COMMMETHOD=TCPIP is specified in the server options file, or that COMMMETHOD=NONE is not specified.
-

-
- If COMMMETHOD=TCPIP was specified, use the BEGIN EVENTLOGGING TIVOLI command to manually start event logging to the Tivoli event server once server initialization has completed.

ANR8684E (Windows NT)

Unable to connect to the Tivoli event server because TCP/IP is not available.

Explanation: The server was unable to establish a TCP/IP connection with the Tivoli event server because TCP/IP services were not available.

System Action: Event logging to the Tivoli event server is disabled.

User Response:

- Ensure that COMMMETHOD=TCPIP is specified in the server options file, or that COMMMETHOD=NONE is not specified.
- If COMMMETHOD=TCPIP was specified, use the BEGIN EVENTLOGGING TIVOLI command to manually start event logging to the Tivoli event server once server initialization has completed.

ANR8700I (AS/400)

Device type volume volume name has been deleted.

Explanation: The specified volume has been deleted by the server. If the given device type is OPTICAL, the volume can be initialized for re-use by another application or the ADSM server if desired.

System Action: The volume is removed from the server's inventory.

User Response: No action is required.

ANR8701I (AS/400)

End-of-side reached for device type volume volume name.

Explanation: The server has detected an end-of-side condition for the given two sided volume.

System Action: The server will access the second side of the volume.

User Response: None.

ANR8702I (AS/400)

Initializing side side of device type volume volume name.

Explanation: The server has started to initialize the given side of the specified volume in preparation for a server operation. Since the volume is two-sided, this message specifies which side (A or B) is being initialized by the server for I/O operations.

System Action: The server waits for the given side of the volume to be initialized.

User Response: Failure to initialize the volume prevents the server from completing an operation. In the case of a failure, subsequent messages will provide the AS/400 exception encountered during the attempted initialization. Evaluate both the specified exception and the AS/400 action to determine the steps necessary to correct the problem.

ANR8703I (AS/400)

device type **volume** *volume name* **is ready for operations.**

Explanation: The initialization process for the given volume has completed successfully, and the volume is ready for use.

System Action: The volume is made ready for use.

User Response: None.

ANR8704E (AS/400)

Initialization failed for *device type* **volume** *volume name*.

Explanation: Initialization of the given volume has failed and has prevented the server from completing an operation.

System Action: Server operation ends.

User Response: Check previously issued messages for additional information regarding the error. Evaluate both the specified exception and the AS/400 action to determine the steps necessary to correct the problem.

ANR8705I (AS/400)

Device type **volume** *volume name* **is mounted** *mount mode*, **status: MSGW.**

Explanation: In response to a QUERY MOUNT command, the server indicates that the given volume is mounted for I/O operations. The volume is currently in MSGW, meaning the AS/400 job that is processing the given volume for the ADSM server is waiting for a reply to a message on an AS/400 message queue. Locate the AS/400 message and provide an appropriate reply. The job should be located in the QSYSWRK subsystem.

System Action: The server waits for a reply to the AS/400 message.

User Response: Locate the AS/400 message and provide an appropriate reply.

ANR8706E (AS/400)

Job *job number* **for volume** *volume name* **is in status: MSGW.**

Explanation: The specified AS/400 job is processing the given volume for the ADSM server. The status of the job indicates that the job is waiting for a reply to a

message on an AS/400 message queue. Locate the AS/400 message and provide an appropriate reply. The job should be located in the QSYSWRK subsystem.

System Action: The server waits for a reply to the AS/400 message.

User Response: Locate the AS/400 message and provide an appropriate reply.

ANR8707W (AS/400)

Access state for volume *volume name* in library *library name* has been set to "unavailable".

Explanation: The specified volume encountered an error during mount processing that makes it unusable. The access state of the volume in the library volume inventory is changed to unavailable so that the volume is not selected for future mounts. One of the following may be the cause of the error. The volume may already be queued for use in the media library device. The volume may be mounted in another tape resource that is not available to the media library device. The volume was marked not available, or in error by the library device manager. The volume identifier may be a duplicate. The volume may have been manually ejected from the library device.

System Action: The server sets the volume access state to unavailable. If the server operation requires a scratch volume, processing continues with another scratch volume. If the server operation required the given volume, the operation is terminated.

User Response: Check previously issued ADSM messages for additional information regarding the error. Check the spooled files of the AS/400 user that started the ADSM server for messages that describe the problem with the given volume. The AS/400 Display Tape Cartridge (DSPTAPCTG) command can be used to display the attributes of a tape volume. Once the problem is corrected, update the access state of the volume to available by using the UPDATE LIBVOL command. An audit of the ADSM library will also result in a re-evaluation of the condition of the volume. If the volume is usable, its access state will be changed to available. An audit of the ADSM library occurs automatically during server initialization or an audit of the library can be started with the AUDIT LIBRARY command.

ANR8708W (AS/400)

The characteristics of device *device name* have changed: current device type *new device type*, original device type *old device type*.

Explanation: The current characteristics of the designated device do not match the characteristics of the device when it was originally defined to the server. Either the device type has changed or the supported formats have changed. One of the following may be the cause of the change. The original device may have been replaced with a new device. The AS/400 configuration has changed resulting in different names being assigned to existing devices. The original device may have

been upgraded to a new model. The new device characteristics will be used. This may result in no devices capable of supporting tape operations for the original characteristics. If such problems should occur, server operations will fail and the will server issue additional error messages.

System Action: Server processing continues.

User Response: You must determine if the change in device characteristics is acceptable given the DEVICE CLASS definitions of the server. The AS/400 WRKHDWRSC and WRKDEVD commands can be used to display the information for a device. The QUERY DEVCLASS command can be used to evaluate server definitions. If necessary, you may need to take actions to correct the change in characteristics of the specified device. If possible, change the AS/400 configuration so that it again matches the server definition. Once the problem is corrected, the server must be halted and restarted so that the server may re-evaluate the device. If the change is correct but server operations are failing, you will need to modify the server definitions. If the device is associated with a server DRIVE definition, delete the old drive definition with a DELETE DRIVE command, and define a new drive. The UPDATE DRIVE command cannot be used in this case. If the device is associated with a server LIBRARY definition, delete the old library definition with a DELETE LIBRARY command, and define a new LIBRARY. The UPDATE LIBRARY command cannot be used in this case.

ANR8709E (AS/400)

Request number: Wrong type of device type volume (volume name) mounted in device device name for device class device class.

Explanation: The server detects an error while attempting to open the given volume in the specified device. The format specified on the given device class is not a valid format that can be written to this volume.

System Action: The volume is dismounted.

User Response: Use a volume that allows the format associated with a the device class to be written or specify a format on the device class that can be written to this type of volume. Use the UPDATE DEVCLASS command to change the format for the device class.

ANR8740W

Number of automated library slots (slots in use) exceeds license terms (slots licensed).

Explanation: The number of slots in use within automated libraries exceeds the licensed value.

System Action: The operation completes.

User Response: Contact your service representative to update license values for slots in automated libraries, or reduce the number of slots in use by issuing CHECKOUT LIBVOLUME commands as necessary.

ANR8741E

CHECKIN LIBVOLUME not permitted with current license terms.

Explanation: The CHECKIN LIBVOLUME operation is not permitted because the current license terms do not allow it.

System Action: The command fails.

User Response: Contact your service representative to update license values for slots in automated libraries, or reduce the number of slots in use by issuing CHECKOUT LIBVOLUME commands as necessary.

ANR8742E

This server is not licensed to support the *device type* device type. Device Support Module *module number* is required.

Explanation: A DEFINE DRIVE command or a volume mount operation cannot be processed because the server is not licensed to support the required device type.

System Action: The operation fails.

User Response: Contact your service representative to update the server license terms so that support for the required device type is enabled.

ANR8743E

This server is not licensed to support library *device name*. Device Support Module *module number* is required.

Explanation: Either a DEFINE LIBRARY command, a volume mount operation, or library initialization cannot be processed because the server is not licensed to support the given library.

System Action: The operation fails.

User Response: Contact your service representative to update the server license terms so that support for the given library device is enabled.

ANR8744E

Command: Current license terms do not permit this operation.

Explanation: The specified command failed because the current license terms do not permit it.

System Action: The operation fails.

User Response: Contact your service representative to update the server license terms so that the requested operation can be processed.

-
- ANR8745E** **Support for the 3590 device type is disabled for library *library name*.**
- Explanation:** The requested operation fails because support for the 3590 device type is not currently enabled for the specified library.
- System Action:** The operation fails.
- User Response:** Make sure the ENABLE3590LIBRARY option is specified in the server options file, and that the scratch category number for 3590 volumes does not conflict with the private category or the CARTRIDGE volume scratch category.
-
- ANR8746E** **Device type *device type* is not supported in this release.**
- Explanation:** The specified device type cannot be used by this release/platform of the server.
- System Action:** The device cannot be used.
- User Response:** Contact your sales or service representative to upgrade to the latest release of the server.
-
- ANR8747I** **Checking in volume *volume name* in library *library name*- CANCEL PENDING.**
- Explanation:** In response to a QUERY PROCESS command, this message displays the status for a CHECKIN LIBVOLUME process on the server. The given volume was being checked in to the designated library, but the process was canceled by an administrator.
- System Action:** The background process operation is in a wait queue. When the process comes off the queue, it will be terminated.
- User Response:** None.
-
- ANR8748I** **Checking in volumes in search mode in library *library name*- CANCEL PENDING.**
- Explanation:** In response to a QUERY PROCESS command, this message displays the status for a CHECKIN LIBVOLUME process on the server. Volumes were being checked into the given library in search mode, but the process was canceled by an administrator.
- System Action:** The background process operation is being terminated.
- User Response:** None.
-
- ANR8749E** **Library order sequence check on library *library name*.**
- Explanation:** An attempt has been made to mount or demount a volume, but the attempt fails for one of the following reasons:
-

-
- Mount is already in progress or a volume is already mounted.
 - Mount is already pending.
 - Demount is already pending.
 - Demount was requested but no volume is mounted.

System Action: The operation fails.

User Response: This error usually occurs when a demount fails and a cartridge is left in the drive. All subsequent mounts fail while attempting to insert another cartridge into the same drive. Demount the cartridge using the library manager or perform an AUDIT LIBRARY operation on the designated library. Retry the operation.

ANR8750E **Volume is incompatible with specified device type in library** *library name*.

Explanation: An attempt has been made to mount or check in a volume, but the attempt fails because the cartridge being mounted is not compatible with the drive (for example, attempting to mount a 3590 cartridge on a 3490 drive).

System Action: The operation fails.

User Response: Ensure the DEVTYPE parameter on the CHECKIN command matches the device type of the drive. Retry the operation.

ANR8751W **This server is not licensed to support the** *device type* **device type. Advanced Device Support is required.**

Explanation: This message is issued when a DEFINE DRIVE command or a volume mount operation uses a device class that is not licensed on the server.

System Action: The operation fails if this is a try-and-buy server. For purchased servers, this message is to warn you that you are not in compliance with registered license terms.

User Response: Contact your service representative to update the server license terms so that support for the required device type is enabled.

ANR8752W **This server is not licensed to support library** *device type*. **Advanced Device Support is required.**

Explanation: This message is issued when a DEFINE LIBRARY command or a volume mount operation uses a device class that is not licensed on the server.

System Action: The operation fails if this is a try-and-buy server. For purchased servers, this message is to warn you that you are not in compliance with registered license terms.

User Response: Contact your service representative to update the server license terms so that support for the required device type is enabled.

ANR8760I **Cancel in progress.**

Explanation: The MOVE MEDIA command has been canceled and will end when resources have been freed for the background process. This message may be displayed in response to a QUERY PROCESS command for a MOVE MEDIA command.

System Action: Server operation continues.

User Response: None.

ANR8761I **Number of volumes processed:** *number*

Explanation: The MOVE MEDIA command has processed the number of volumes displayed. This message may be displayed in response to a QUERY PROCESS command for a MOVE MEDIA command.

System Action: Server operation continues.

User Response: None.

ANR8762I **Number of volumes processed:** *number*. **Ejecting volume** *volume name* **from library** *library name*.

Explanation: The MOVE MEDIA command displays the number of volumes already processed and the name of the volume currently being ejected from the indicated library. This message may be displayed in response to a QUERY PROCESS command for a MOVE MEDIA command.

System Action: Server operation continues.

User Response: None.

ANR8763E **Command: Volume** *volume name* **not processed: library** *library name* **not defined.**

Explanation: The indicated volume is not processed since the designated library has not been defined or has been deleted.

System Action: The volume is not processed.

User Response: Reissue the command using a different library name, or define the library before retrying the command.

ANR8764E *Command: Volume volume name not processed: the operation is not allowed for library type library type.*

Explanation: The indicated volume is not processed since the requested operation is not allowed for libraries of the given type.

System Action: The volume is not processed.

User Response: None.

ANR8765I *Request number: device type volume volume name in location location name is required for use in library library name; CHECKIN LIBVOLUME required within time limit mi nutes.*

Explanation: A mount request has been made for a volume that is defined in a storage pool, but which is currently checked out of the given library and stored in the location shown.

System Action: The server waits until it detects that the volume has been checked into the library, or the time limit expires.

User Response: Obtain the required volume from the indicated location, and insert it into the library by issuing a CHECKIN LIBVOLUME command. Use the SWAP=YES option of the CHECKIN LIBVOLUME command if the library is currently full; this process allows the server to select an appropriate volume to be swapped out in order to make room for the required volume.

ANR8766I *MOVE MEDIA command: CHECKOUT LIBVOLUME command for volume volume name in library library name completed successfully; Place the ejected volume in location location name.*

Explanation: The CHECKOUT LIBVOLUME operation has completed successfully for the indicated volume in the given library. Place the ejected volume in the indicated location.

System Action: The volume is either deleted from the library inventory (if its status is something other than DATA) or marked not present (if its status is DATA).

User Response: If an *UNKNOWN* location is displayed, issue UPDATE STGPOOL OVFLLOCATION command to define an overflow location name to be used on the subsequent MOVE MEDIA command. For the volumes ejected with an *UNKNOWN* location, use UPDATE VOLUME LOCATION command to update its location to your overflow location name.

-
- ANR8767I** **Number of volumes processed:** *number volumes processed*. **Volumes sent to library** *library name* **for checkout:** *number volumes sent*.
- Explanation:** The MOVE MEDIA command has processed the number of volumes shown. Currently, the MOVE MEDIA command has sent for processing the number of volumes shown to the library shown. This message may be displayed in response to a QUERY PROCESS command for a MOVE MEDIA command.
- System Action:** Server operation continues.
- User Response:** None.
-
- ANR8769E** **External media management function** *request type* **returned result=***result*.
- Explanation:** A request of the indicated function type was sent to the external library manager program, which returned a result code which was not SUCCESS.
- System Action:** The server continues, but the server operation that was being attempted fails.
- User Response:** Consult the documentation for the external media management program to determine how to recover from the error condition. Then attempt the server operation again.
-
- ANR8770W** **Unable to load external library manager** *filespec*.
- Explanation:** A library of LIBTYPE=EXTERNAL is defined but the server cannot load the external library manager.
- System Action:** The server continues, but the external library cannot be accessed.
- User Response:** Verify that the EXTERNALMANAGER parameter for the external library is specified correctly on the DEFINE LIBRARY or UPDATE LIBRARY command.
-
- ANR8771E** **Volume** *volume name* **in library** *library name* **is deleted. External Library is not synchronized with the server. Audit required.**
- Explanation:** The server deleted a volume from its inventory, and its attempt to inform the external library manager has failed.
- System Action:** The server may continue to access the library, but some volumes may not be accessible until the external library is synchronized with the server.
- User Response:** Perform the appropriate type of processing on the external library in order to synchronize it with the server.
-

ANR8772I **Moving volume** *volume name (if known)* **from drive** *drive name* **to slot** *slot element number* **in library** *library name*.

Explanation: A volume found in the drive during library initialization is being moved to the slot.

System Action: The volume is moved from the drive to the slot.

User Response: None.

ANR8773E **Incompatible options** **CHECKLABEL=NO** and **SEARCH=YES** **for SCSI libraries.**

Explanation: If a barcode reader is not installed and detected by the server, the server requires the ability to check the tape label when searching for new volumes in a SCSI tape library. The CHECKLABEL=NO and SEARCH=YES parameters on the CHECKIN LIBVOL command are not compatible.

System Action: The command fails.

User Response: Reissue the CHECKIN LIBVOL command and specify CHECKLABEL=YES.

ANR8774W **Volume** *volume name* **not checked into library** *library name* **but is using category** *category number*.

Explanation: While processing a DEFINE LIBRARY or AUDIT LIBRARY command for the given library, the server found a volume that was not checked into the library (with the CHECKIN LIBVOL command), but is assigned to one of the categories in use by that library.

System Action: If the volume category equals the value of the library SCRATCHCAT the category is changed to the value of the library PRIVATECAT. This is to prevent the library from loading the volume when a scratch volume is requested.

User Response: If the volume is to be used by the server, it does not have to be reassigned but it must be checked into the library with the CHECKIN LIBVOL command. If the volume is not to be used by the server, use the mtlb program to reassign the volume to its correct category. For details about the mtlb program, refer to the documentation provided with the library device.

ANR8775I **Drive** *drive name* **unavailable at library manager.**

Explanation: The specified drive availability status at the library manager has changed from available to unavailable.

System Action: The drive status on the server is updated to reflect the availability to that of the library manager. The drive will not be considered as a candidate for the mount or demount request.

User Response: Contact your service representative to determine the cause of the drive becoming unavailable. Once the service representative has determined the cause and changed the availability status to available at the library manager, the server will resume use of the drive.

ANR8776W

Volume *volume name* in drive *drive name* contains lost VCR data; performance may be degraded.

Explanation: The Vital Cartridge Records of the cartridge in the drive are lost or corrupted. This results in the inability of the drive to do fast locates to file positions on the cartridge, which causes the locate performance for read or append operations to become degraded.

System Action: The server continues the operation.

User Response: There are two methods to restore the VCR data. The first method uses the MOVE DATA command to move the data off the tape and to return the tape to scratch or empty status. The VCR data is rebuilt when the empty tape is rewritten from the beginning-of-tape. The second method rebuilds the VCR by loading the tape and locating directly to the end-of-data. This is done by the server in normal use when new data is appended to the end of the tape. It can also be done independent of the server by loading the tape in an unused drive and using the tapeutil program. Select the tapeutil option "Space to End-of-Data".

ANR8777E

Mount for volume *volume name* failed; media performance is degraded.

Explanation: The VCR data on the volume is lost or corrupted, resulting in degraded tape positioning. The mount fails because the tape drive was configured to fail mounts that indicate this condition.

System Action: The client command fails and the transaction is rolled back.

User Response: Until the VCR data can be restored, the user can issue the UPDATE VOLUME command to make the volume unavailable. There are two methods to restore the VCR data. The first method uses the MOVE DATA command to move the data off the tape and to return the tape to scratch or empty status. The VCR data is rebuilt when the empty tape is rewritten from the beginning-of-tape. The second method rebuilds the VCR by loading the tape and locating directly to the end-of-data. This is done by the server in normal use whenever data is appended to the end of the tape. It can also be done independent of the server by loading the tape in an unused drive and using the tapeutil program. Select the tapeutil option "Space to End-of-Data".

ANR8778W

Scratch volume *volume name* changed to Private Status to prevent re-access.

Explanation: The scratch volume encountered an error during mount processing that makes it unusable. The status of the volume is changed to private so that it is not selected for future scratch mounts. (Although the status has become private, it is not defined to a storage pool.)

System Action: Processing continues with another scratch volume.

User Response: See previous error messages to determine the cause of the mount failure, and correct the problem. If the problem is a mislabeled volume or unreadable label, relabel the scratch volume using the dsmlabel utility with the "-overwrite" option. If the volume is missing from its home slot, issue the AUDIT LIBRARY command against the library. If the volume has lost or corrupted VCR-data, relabel the volume. (This reinitializes the VCR-data by writing to the volume from beginning-of-tape.) Once the problem is corrected, update the status of the volume to scratch by using the UPDATE LIBVOL command.

ANR8779E

Unable to open drive *drive name*, error number=*errno value from open system call*.

Explanation: The drive cannot be opened by the server. In AIX, error number is the value of errno returned by the operating system. In OS/2, it is the value of the return code from the call to DosOpen.

System Action: The transaction needing the drive fails.

User Response: Use the error number in conjunction with operating system documentation to narrow the scope of the cause. Inspect the drive. Ensure the drive is powered on and ready, the cables are properly connected and terminated, and that the device is properly configured to the operating system.

ANR8780E

Volume in drive *drive name* has no label.

Explanation: The volume in the indicated drive does not have a label. The server requires that all media be uniquely labelled.

System Action: The volume is rejected and the server prompts for a new volume.

User Response: Use the appropriate labelling utility to label the media. In OS/2 and Windows NT, the LABEL command is used to label removable disk cartridges, diskettes and other media which appear as drive letters.

ANR8781E

Volume in drive *drive name* has invalid label *label*.

Explanation: The volume in the indicated drive has the label shown. The name does not conform with server requirements. The server requires that all media be uniquely labelled and, for removable media, that the label with file naming

conventions. The label found exceeded the maximum label size for removable media or did not conform to server labelling requirements. If '????' is shown for the label, it indicates that server was unable to read the label.

System Action: The volume is rejected.

User Response: Use the appropriate labelling utility to label the media. In OS/2 and Windows NT, the LABEL command is used to label removable disk cartridges, diskettes and other media which appear as drive letters. This label must still conform to server requirements.

ANR8782E **Volume** *volume name* **could not be accessed by library** *library name*.

Explanation: The designated volume is in the inventory of the Library Manager, but the physical location is either inaccessible or unknown.

System Action: The operation fails. The access mode of the volume is changed to UNAVAILABLE.

User Response: Ensure that the cartridge is physically in the library, and reinventory the library. If the volume location is resolved, restore the access mode of the volume to its previous value using the UPDATE VOLUME command.

ANR8783E **Label on volume in drive** *drive name* **could not be read.**

Explanation: The server was unable to read the label on the indicated drive.

System Action: The volume is rejected.

User Response: Use the appropriate labelling utility to label the media. In OS/2 and Windows NT, the LABEL command is used to label removable disk cartridges, diskettes and other media which appear as drive letters. This label must still conform to server requirements.

ANR8784E **File** *file name* **on volume** *drive name* **could not be created.**

Explanation: The server was unable to create the indicated file on the indicated volume. The server creates a file on removable media in which to store data.

System Action: The volume is rejected.

User Response: Ensure that the media is not defective, and is properly formatted. Ensure that there are not large numbers of files already in the root of the file system. Some file systems have limits on the number of files that may be created in the root directory.

ANR8785E **Out-of-space in file system for *device type* volume *volume name*.**

Explanation: The server detected an out-of-space condition for the file system in which the given volume resides.

System Action: The operation fails.

User Response: The file system must be expanded to accommodate volume growth.

ANR8786I ***Request number*: Remove *device type* volume from entry/exit port; insert volume *volume name* *mount mode* into entry/exit port of library *library name* within time limit *minute(s)*; issue 'REPLY' along with the request ID when ready.**

Explanation: A CHECKIN LIBVOLUME command is in progress, and the specified volume is needed. However, there is a volume awaiting to be removed from the entry/exit port before the specified volume is inserted into the port of the given library.

System Action: The server waits until a REPLY command is issued.

User Response: Remove the volume from the library and insert the correct volume into the entry/exit port. Issue a REPLY command, along with the request ID, to tell the server that the volume has been removed and a new volume has been inserted.

ANR8787W **No barcode labels detected in library *library name*.**

Explanation: A command is issued with the CHECKLABEL=BARCODE option. The library is unable to detect that the cartridges have valid barcode labels. The barcode reader is disabled or it is unable to read the labels.

System Action: Unless the command is checking in cleaning cartridges, the process continues by loading the cartridges into the library's drives and reading the label from the tape. Cleaning cartridges have no internal label that can be checked by loading it in the drive.

User Response: Cancel the process if you do not want to load all of the cartridges into the library's drives. Examine the cartridges to ensure they have barcode labels and they are compatible with the barcode reader. Not all vendors' labels are readable by all libraries. Check that the barcode reader is configured and functioning properly, if necessary.

ANR8788W **Unable to read the barcode of cartridge in slot-id *Element number of slot* in library *library name*; loading in drive to read label.**

Explanation: The library barcode reader is unable to read the label of a tape cartridge. The cartridge is found in the slot with the given element number.

System Action: The cartridge is loaded into a drive and its label will be read from the tape.

User Response: Cancel the process if you do not want to load any cartridges into the library's drives. Examine the cartridge to ensure it has a barcode label and that it is compatible with the barcode reader. Not all vendors' labels are readable by all libraries. Check that the barcode reader is configured and is functioning properly, if necessary.

ANR8789W **Dynamic drive recovery being attempted on** *device type* **volume** *volume name* **due to errors.**

Explanation: Due to a drive or media fault, the server is moving the volume to a new drive.

System Action: Read or write operations resume on the volume once it is remounted.

User Response: None.

ANR8790I *device type* **volume** *volume name* **re-mounted in drive** *drive name*.

Explanation: Due to a drive or media fault, the server has moved the volume to the specified drive. Read or write operations resume on the volume.

System Action: The label of the volume has been verified.

User Response: None.

ANR8791E **Unable to move** *device type* **volume** *volume name* **to another drive.**

Explanation: Dynamic drive recovery was being attempted on the volume, but was unable to move the volume to another drive.

System Action: The originating process terminates.

User Response: See previous error messages to determine the cause of the DDR failure, and correct the problem. If the problem is an unreadable label, any data on the volume may be lost.

ANR8792E **Unrecoverable drive failures on drive** *drive name*; **drive is now taken offline.**

Explanation: The drive has been determined to be faulty because of recurrent failures.

System Action: The drive is now marked offline.

User Response: Service the drive for failures. Delete and redefine the drive to bring it back online.

ANR8793E **Dynamic drive recovery failed for *device type* volume *volume name* because not enough drives are available.**

Explanation: To recover a volume on another drive, there must be at least one other drive available that is not associated with the transaction which is driving the recovery. In addition, the maximum number of drives that can have dynamic drive recovery performed at the same time is one less than the number of drives. This is to prevent deadlock from occurring between two recovering transactions. One of these criteria has failed.

System Action: No DDR is performed and the transaction fails.

User Response: Restart the transaction.

ANR8794E **Retry of *operation name* operation failed for *device type* volume *volume name*.**

Explanation: After successfully mounting the volume on another drive, due to an I/O error, the original operation fails when retried.

System Action: No further recovery is performed and the transaction fails.

User Response: Restart the transaction.

ANR8795I **Retry of *operation name* operation for *device type* volume *volume name* is successful.**

Explanation: After mounting the volume on another drive, due to an I/O error, the operation is tried successfully.

System Action: The transaction continues from the point of interruption from the failure.

User Response: None.

ANR8796W **Drive *drive name* of library *library name* is not online; UPDATE DRIVE required.**

Explanation: During the initialization of a library, the server finds that the drive was updated to be offline.

System Action: The drive will not be accessible by the library during tape operations.

User Response: The drive may be made online by issuing the UPDATE DRIVE command with the ONLINE=YES option.

ANR8797W *command: Drive drive name of library library name is inaccessible.*

Explanation: The server is unable to use the mentioned drive. This may be for the following reasons:

- The drive cannot be opened.
- In the case of a 3494 or a library that can be partitioned, the drive may be unavailable to the library manager, may be in use by another application, or may be loaded with a cartridge not labeled for server use.

System Action: The drive is temporarily made offline and is not used for tape operations. The server polls the drive at one-half minute intervals to check if the condition has cleared. Once the drives is accessible again, the drive is brought online.

User Response: Determine the reason the drive is inaccessible, such as hardware errors reported in the system logs. Render any needed corrections to the drive. The drive will be brought online automatically when the polling process detects that is has become accessible.

ANR8798W *Drive drive name in library library name is busy; some transactions may fail.*

Explanation: The drive being made offline is currently mounted with an open tape volume. If the transaction using the volume requires subsequent tape mounts and is unable to acquire a drive, the transaction will fail.

System Action: If this tape volume is one of a sequence of volumes that are required to process a transaction, a drive must be available for each mount. This may be any drive in the library, but if all other library drives are currently busy and are still busy at the time the new tape must be mounted, the transaction will fail.

User Response: If possible, make the drive online until the transaction using it ends. If there is an idle volume on the drive, dismount the volume first.

ANR8799I *Command: Operation for library library name started as process process ID.*

Explanation: A LABEL process has been started to write the label on the specified volume in the given library. The process is assigned the ID specified in the message.

System Action: The server starts a background process to perform the operation in response to the LABEL command entered by an administrator.

User Response: To obtain status on the process, issue the QUERY PROCESS command. The process may be canceled with the CANCEL PROCESS command.

ANR8800I	<p>LABEL LIBVOLUME for volume <i>volume name</i> in library <i>library name</i> completed successfully.</p> <p>Explanation: The background process to LABEL a volume has succeeded.</p> <p>System Action: The volume's label has been rewritten.</p> <p>User Response: None.</p>
ANR8801I	<p>LABEL LIBVOLUME process <i>process Id</i> for library <i>library name</i> completed; count of labelled volumes volume(s) labelled, count of checked in volumes volume(s) checked-in.</p> <p>Explanation: A search-mode process to LABEL volumes has succeeded.</p> <p>System Action: The volumes have been labelled.</p> <p>User Response: None.</p>
ANR8802E	<p>LABEL LIBVOLUME process <i>process Id</i> for library <i>library name</i> failed.</p> <p>Explanation: The Label process terminated with a failure.</p> <p>System Action: The process ends.</p> <p>User Response: See previous error messages to determine the cause of the failure, and correct the problem.</p>
ANR8803I	<p>LABEL VOLUME process <i>process Id</i> for library <i>library name</i> has been canceled; count of labeled volumes volume(s) labeled, count of checked in volumes volume(s) checked-in.</p> <p>Explanation: A background server process that has been working to label the volumes for the given library is canceled by the CANCEL PROCESS command. The counts provided are for any volumes processed prior to the cancel.</p> <p>System Action: The server process is ended and server operation continues.</p> <p>User Response: None.</p>
ANR8804I	<p>Labelling volume <i>volume name</i> in library <i>library name</i>.</p> <p>Explanation: In response to a QUERY PROCESS command, this message displays the status for a LABEL process on the server.</p> <p>System Action: The background process continues.</p> <p>User Response: None. The process may be cancelled by an authorized administrator using the CANCEL PROCESS command.</p>

ANR8805I **Labelling volumes in library** *library name*; *volume count* **volumes(s) labelled.**

Explanation: In response to a QUERY PROCESS command, this message displays the status of a LABEL process with the SEARCH option.

System Action: The background process continues.

User Response: None. The process may be cancelled by an authorized administrator using the CANCEL PROCESS command.

ANR8806E **Could not write volume label** *volume name* **on the tape in library** *library name*.

Explanation: The Label process could not write the label on the tape specified.

System Action: For a LABEL operation with SEARCH=YES, the background process continues to the next volume. For an individual volume, the process ends. The volume is not labelled and is not checked into the library.

User Response: Make sure the library and drive devices associated with this command are powered on and ready, and then reissue the command.

ANR8807W **Could not write label** *volume name* **on the volume in drive** *drive name* **of library** *library name* **because volume is already labelled** *existing volume name*.

Explanation: The check in or label process could not write the label on the tape specified because the volume is already labelled.

System Action: The check in process will not overwrite volumes that are already labelled, and the label process will only overwrite volumes when OVERWRITE=YES is specified. The volume is not labelled and cannot be checked in to the library. If SEARCH=YES, the process continues to the next volume. For an individual volume, the process ends.

User Response: Reissue the command with the correct parameters.

ANR8808E **Could not write label** *label name* **on the volume in drive** *drive name* **of library** *library name* **because that volume is already labeled with** *volume name* **which is still defined in a storage pool or volume history.**

Explanation: An attempt was made to overwrite the label of a volume that is still defined to a storage pool or is still found in the volume history file. Such a volume may still contain valid data.

System Action: The server process is ended and server operation continues.

User Response: It is usually not necessary to re-label volumes. If the volume must be relabeled, that volume must first be removed from the storage pool or volume history file where it is defined.

ANR8809I *Request number: Please provide the label name for the volume in slot element slot element number of library library name by issuing REPLY n LABEL=xxx within time limit minutes, where n is the request ID and xxx is the desired label name.*

Explanation: A LABEL LIBVOLUME command is in progress, and the name of the next volume is needed.

System Action: The server waits until a REPLY command is issued.

User Response: Issue a REPLY command, along with the request ID, and the volume name for the next cartridge.

ANR8810I **Volume *volume name* has been labeled in library *library name*.**

Explanation: The Label process with the search option has found and labeled a volume.

System Action: The process ends.

User Response: None.

ANR8811E **Command: The LABELSOURCE parameter is required when using SEARCH with this command.**

Explanation: The LABELSOURCE parameter must be provided with the given command.

System Action: The command is not processed.

User Response: Reissue the command, and provide a valid LABELSOURCE parameter value.

ANR8812E **Command: The SEARCH parameter is required when using LABELSOURCE with this command.**

Explanation: When using the LABELSOURCE option with this command, the SEARCH parameter must be also provided.

System Action: The command is not processed.

User Response: Reissue the command, and provide a valid SEARCH parameter value.

ANR8813W **Unable to read the barcode of cartridge in slot element *Element number of slot* in library *library name*.**

Explanation: The library barcode reader is unable to read the label of a tape cartridge. The cartridge is found in the slot with the given element number.

System Action: When LABELSOURCE=BARCODE is specified on the LABEL LIBVOLUME command, volumes without a barcode cannot be labelled.

User Response: Examine the cartridge to ensure it has a barcode label and that it is compatible with the barcode reader. Not all vendors' labels are readable by all libraries. Check that the barcode reader is configured and is functioning properly, if necessary.

ANR8814I **Remove volume** *Volume name* **from slot element** *Slot element number of library* *Library name*.

Explanation: LABEL LIBVOLUME has ended for the specified volume and that volume must be removed from the library because either it was not checked in or there was an error.

System Action: The server continues normal operation.

User Response: Remove the specified volume from the library.

ANR8815I **Remove volume** *Volume name* **from port element** *Port element number of library* *Library name*.

Explanation: LABEL LIBVOLUME has ended for the specified volume and that volume must be removed from the library because either it was not checked in or there was an error.

System Action: The server continues normal operation.

User Response: Remove the specified volume from the library.

ANR8816E *command:* **Volume** *Volume name in library* *Library name* **cannot be labelled because it is currently defined in a storage pool or in the volume history file.**

Explanation: During command *command* processing, a volume cannot be used because there is a storage pool volume defined or a volume in the volume history file with this volume name. Such a volume may still contain valid data. Applying the volume name to the cartridge can overwrite data and or cause library inventory corruption. If the volume is in the volume history file, it is has previously used by an export, database dump, or database backup operation (as recorded in the volume history).

System Action: If the SEARCH=YES option was specified, the current volume is skipped and command processing continues with the next volume found. If SEARCH=NO was specified, command processing terminates.

User Response: If the volume is present in an automated library, it should either be removed or checked into the library's inventory in the PRIVATE category.

ANR8817E **Name length for volume** *"Volume name"* **invalid; max is** *Maximum name length*.

Explanation: During LABEL LIBVOL processing, the volume name provided to be written on the label exceeds the maximum length for the type of cartridge.

System Action: The label process fails for that cartridge.

User Response: Reissue the LABEL LIBVOL command and provide a volume name that is not longer than the maximum listed.

ANR8818E **I/O Error on library** *library name*; **request for op. operation/function to the 3494 Library Manager has timed out.**

Explanation: A command for the operation was issued to the Library Manager and a response was not received within the maximum timeout period.

System Action: The operation and the transaction fails.

User Response: Verify that communications with the library is operational, that it is online and ready for commands. Increase the time-out limit of the Library Manager Control Point device driver. If the problem persists, provide your service representative with the 3494 Library Manager transaction logs.

ANR8819E **No barcode reader detected in library** *library name*.

Explanation: A LABEL command was issued with the LABELSOURCE=BARCODE option. The library was unable to detect that the cartridges had valid barcode labels or the library did not have a barcode reader. If a barcode reader is present the reader might be disabled or it is unable to read the labels.

System Action: Examine the cartridges to ensure they have barcode labels and they are compatible with the barcode reader. Not all vendors' labels are readable by all libraries. Check that the barcode reader is configured and functioning properly.

User Response: None.

ANR8820W **Repairing VCR data for Volume** *volume name* **in drive** *drive name*; **dismount may be delayed.**

Explanation: The Vital Cartridge Records of the cartridge in the drive are lost or corrupted, which results in the inability of the drive to do fast locates to file positions on the cartridge. The VCR is being rebuilt during the volume dismount process in order to avoid performance degradation on future mounts of the volume.

System Action: The server continues the dismount operation. There may be a long delay because the VCR is rebuilt by spacing the tape forward to the end-of-data.

User Response: None.

-
- ANR8821E** **Barcode of element *slot element address*, 'hardware barcode string', exceeds maximum length characters in length.**
- Explanation:** A barcode is encountered that was longer than a valid volume name.
- System Action:** The barcode is not considered valid and will not be used for the server process.
- User Response:** Replace the cartridge's barcode with one that is supported by the library and whose number of characters does not exceed the maximum length.
-
- ANR8822E** **'Volume name' is not a valid volume name.**
- Explanation:** The specified string is not a valid volume name.
- System Action:** The program prompts for a new volume name.
- User Response:** Enter a volume name that is within the length constraints for the media type being labeled, and which contains only alphanumeric characters.
-
- ANR8823E** **Hardware configuration error in library *library name: number of drives drives, number of storage slots storage slots*.**
- Explanation:** The library device returned a count of zero for either the drives or the slots. The drives may have not yet been configured to the operating system, or to the library. The library must have at least one drive and multiple slots when properly configured in order to be defined to the server.
- System Action:** The operation fails.
- User Response:** Configure the drives to the operating system, and reinitialize the library.
-
- ANR8824E** **I/O Error on library *library name*; request *request id* for operation *operation/function* to the 3494 Library Manager been lost.**
- Explanation:** A command for the operation was issued to the Library Manager and a response was not received within the maximum timeout period.
- System Action:** The operation and the transaction fails.
- User Response:** Verify that communications with the library is operational, that it is online and ready for commands. If the problem persists, provide your service representative with the 3494 Library Manager transaction logs and the request id from the failed operation.
-

ANR8825E **'Volume range' is not a valid volume range.**

Explanation: The specified string is not a valid volume range.

System Action: The program prompts for a new volume range.

User Response: Enter the volume names in the range that is within the length constraints for the media type being labeled, and which contains only alphanumeric characters. The volume names of the beginning and ending volume must be the same in length and the incrementals must be in digits.

ANR8826E **No Entry/Exit found on library *library name*.**

Explanation: A CHECKIN LIBVOLUME SEARCH=BULK command was issued on a library that has no Entry/Exit ports.

System Action: None.

User Response: None.

ANR8827E **No Entry/Exit port is available on library *library name*.**

Explanation: A CHECKOUT LIBVOL command was issued on a library where all its Entry/Exit Ports were found to be full.

System Action: None.

User Response: Empty all the Entry/Exit ports on the library and try the command again.

ANR8828E **Slot *element number* of library *library name* is inaccessible.**

Explanation: The slot in the library could not be physically accessed at this time.

System Action: None.

User Response: Verify that the Entry/Exit door is closed and the device has not logged any device errors before trying the command again.

ANR8829I **Remove volume *volume name* from slot *element number* of library *library name* at your convenience.**

Explanation: A volume has been checked out from the library and placed in a multiple entry/exit port library. The volume needs to be removed from the library, but the operation is not critical.

System Action: None.

User Response: Remove the volume from the entry/exit slot.

ANR8830E **Internal Device type drive diagnostics detect excessive media failures for volume *Volume name* (MIM MIM Code). Access mode is now set to "read-only".**

Explanation: The tape drive's microcode performed an analysis of the media during the prior mount of the volume and determined that the number of temporary errors and other indicators exceed the threshold for reliable data recording.

System Action: The volume is made read-only.

User Response: Check system error logs for entries made by the device relative to media errors. It is recommended to move the data off the volume in order to minimize the impact of future errors and further damage to the media.

ANR8831W **Because of media errors for volume *Volume name*, data should be removed as soon as possible.**

Explanation: Errors previously encountered on the volume leave the access to the data in a questionable state. The errors may be permanent temporary media failures such as the corruption of the Volume Control Region of a Magstar drive.

System Action: None.

User Response: Move the data off the volume. This can be done with the MOVE DATA command. In some cases the tape is reusable by returning it to scratch. Check system error logs for entries made by the device relative to media errors. If the errors cannot be isolated or resolved, contact your support representative. Return the tape to scratch or dispose of it.

ANR8832E **CHECKIN LIBVOLUME for volumes in search mode in library *library name* failed.**

Explanation: The background process for a CHECKIN LIBVOLUME command has failed.

System Action: The background process ends, but volumes have not been checked into the library.

User Response: Make sure the library and drive devices associated with this command are powered on and ready, and then reissue the command.

ANR8833E **Command: Volume *volume name* in library *library name* is currently being checked in or checked out.**

Explanation: The command cannot be processed because the specified volume is being checked in or checked out of the library.

System Action: The command is not processed.

User Response: Wait until the conflicting checkin or checkout has completed, and then reissue the command.

ANR8834E **Library volume *volume name* is still present in library *library name* drive *drive name*, and must be removed manually.**

Explanation: Library operations cannot be performed using the drive because a volume is still mounted in it. This may be due to a prior dismount failure that occurred on the drive.

System Action: The command fails. The drive may be taken offline.

User Response: See previous error messages and the system error logs to determine the cause of the dismount failure or any other reason the volume would still be loaded in the drive. Hardware diagnostics may be required. If necessary, remove the volume manually and place it in its storage cell. If the storage cell is unknown, place the volume in any cell and issue the AUDIT LIBRARY command. Use the QUERY DRIVE command to determine the online status of the drive. If the drive is still functioning, change the status with the UPDATE DRIVE command.

ANR8835W **Error returning volume *volume name* to scratch.**

Explanation: The server external library manager sent a RELEASE request to the external agent for the named volume, but the external agent was unable comply with the request. The server, however, marked the volume scratched in its inventory; consequently, the server inventory and the external agent inventory are not consistent. This message is issued to inform the customer that the external agent inventory must be made consistent with the server inventory using the facilities of the external agent.

System Action: The server has returned the volume to scratch status.

User Response: Consult the documentation for the external agent and take the appropriate action to make the agent inventory consistent with the server inventory.

ANR8836E **Function *RSM_function* failed in *server_function* processing, return *return code*, call *call number*.**

Explanation: The library function that uses the API to the Windows NT Removable Storage Manager failed with a return code from the API. The call number represents the exact API call issued in the program.

System Action: The function fails.

User Response: Use the RSM documentation to determine the source of the problem.

-
- ANR8837E** **RSM Library *Library Name* not supported on this Windows platform.**
- Explanation:** The libtype=RSM was used on a Windows platform that does not support RSM.
- System Action:** The function fails.
- User Response:** Use another library type to define the library.
-
- ANR8838E** **I/O error on drive *drive name*: excessive unit attentions received from device.**
- Explanation:** An operation to the drive failed with a device unit attention. These are normally cleared when the operation is retried, but in this case subsequent recover and retry attempts persistently fail with unit attention. This indicates a device failure.
- System Action:** The operation fails.
- User Response:** See accompanying error messages and the system error logs to determine any reason for the drive failure. Hardware diagnostics may be required. It may be necessary to manually unload the volume and mark the drive offline with the UPDATE DRIVE command.
-
- ANR8839W** **Drive *drive name* of library *library name* is accessible.**
- Explanation:** The server is now able to use the mentioned drive that was inaccessible. However, the administrator has marked the drive offline while the drive was being polled.
- System Action:** The drive is left offline and is not used for tape operations.
- User Response:** Issue the UPDATE DRIVE command to bring the drive back online.
-
- ANR8840E** **Unable to open device *device name* with error *error number*.**
- Explanation:** The library was inaccessible thus causing an open request to fail. This will in turn cause the pending request to fail.
- System Action:** A drive is marked inaccessible and the server starts polling the drive to determine if the library and drive are inaccessible. In most cases, the library had a temporary failure and recovers. When the server determines that the library is available, the drive will be brought back online.
- User Response:** Verify the library is online. Verify cable connections between the library and the server. If the problem persists contact your service representative.
-

ANR8841I **Remove volume from slot *element number* of library *library name* at your convenience.**

Explanation: A volume has been placed in a multiple entry/exit port library because the volume should be placed back in the entry/exit port as result of the successful completion of a server command, or there was a problem during a server command. The volume needs to be removed from the library, but the operation is not critical.

System Action: None.

User Response: Remove the volume from the entry/exit slot. Examine previous messages for additional information regarding the specified volume and the command.

ANR8842E **The *Device type* drive detected a marginal sector and could not reallocate the sector for volume *Volume name*. Access mode is now set to "read-only".**

Explanation: The optical drive detected a marginal sector (media error) while reading the volume. The drive read the sector successfully but could not reallocate the sector because of a previous media error.

System Action: The volume is made read-only.

User Response: Check system error logs for entries made by the device relative to media errors. It is recommended to move the data off the volume in order to minimize the impact of future errors and further damage to the media.

ANR8846E **Volume *volume name* is assigned to a category that does not belong to library *library name*.**

Explanation: The attempted operation on the volume cannot proceed because it is assigned to a category other than the insert, private, or scratch category used by the library.

System Action: The attempted operation is terminated.

User Response: Use the mtlb utility to query the volume's category. If the volume is not in use by another library, use mtlb to reassign the category or choose another volume that is assigned to the proper category.

ANR8847E **No *device type*-*type* drives are currently available in library *library name*.**

Explanation: The attempted operation cannot be completed on the specified library because there are no available drives of the specified type. A drive may be unavailable because a different application has the drive opened. This message may also be issued if a CHECKIN or LABEL command is issued and no drive is

available to service the operation. This can be because all the drives are mounted by other processes or sessions, or the device type was incorrectly specified.

System Action: The attempted operation is terminated.

User Response: Use the QUERY DRIVE command to check the online status of the drives. Drives that are marked "Unavailable since hh:mm yy/mm/dd" are drives taken offline by the server at the time specified because of hardware failures or the inability to open the drive. If the attempted operation is a CHECKIN or LABEL command, use the QUERY MOUNT command to determine if all the drives in the library are mounted and wait until one of these is available. If there are mounted volumes with an IDLE status, use the DISMOUNT VOLUME command to free its drive, and retry the original operation. Finally, the DEVTYPE parameter is required for CHECKIN and LABEL commands specifying 3590 volumes in a 349X library that also contains 3490 drives. This is because this library also supports 3490 volumes, and the default device type on CHECKIN and LABEL commands is CART (3490).

ANR8848W

Drive *drive name* of library *library name* is inaccessible; server has begun polling drive.

Explanation: The server is unable to use the mentioned drive. This may be for the following reasons:

- The drive cannot be opened
- In the case of a 3494 or a library that can be partitioned, the drive may be unavailable to the library manager, may be in use by another application, or may be loaded with a cartridge not labeled for server use.

System Action: The drive is temporarily made offline and is not used for tape operations. The server polls the drive at one-half minute intervals to check if the condition has cleared. Once the drives is accessible again, the drive is brought online.

User Response: Determine the reason the drive is inaccessible, such as hardware errors reported in the system logs. Render any needed corrections to the drive. The drive will be brought online automatically when the polling process detects that it has become accessible.

ANR8849E

Command: There is already a request to delete drive *drive name*.

Explanation: The designated drive cannot be deleted or updated because there is a request to delete the drive already.

System Action: The command is not processed.

User Response: None.

ANR8850I	<p>ACSLS library <i>library name</i> is ready for operations.</p> <p>Explanation: The initialization process for the given library has completed successfully, and the library is ready for use.</p> <p>System Action: The library is made ready for use.</p> <p>User Response: None.</p>
<hr/>	
ANR8851E	<p>Initialization failed for ACSLS library <i>library name</i>; will retry in <i>delay time</i> minute(s).</p> <p>Explanation: The initialization process for the given library has failed. It is retried automatically after the specified amount of time has elapsed.</p> <p>System Action: The initialization will be retried later.</p> <p>User Response: Ensure that the library device is powered on and ready.</p>
<hr/>	
ANR8852E	<p>Initialization failed for ACSLS library <i>library name</i>.</p> <p>Explanation: The initialization process for the given library has failed and will not be retried until the next time the server needs to access the library.</p> <p>System Action: The library is made temporarily unavailable.</p> <p>User Response: None.</p>
<hr/>	
ANR8853E	<p>Incompatible options CHECKLABEL=NO and SEARCH=YES for ACSLS libraries.</p> <p>Explanation: The CHECKLABEL=NO and SEARCH=YES parameters on the CHECKIN LIBVOL command are not compatible.</p> <p>System Action: The command fails.</p> <p>User Response: Reissue the CHECKIN LIBVOL command and specify CHECKLABEL=YES.</p>
<hr/>	
ANR8854E	<p>ACSAPI(<i>command name</i>) invocation failed, status=<i>acs status</i>.</p> <p>Explanation: The ACSLS library api invocation for the given command failed.</p> <p>System Action: Depends on the server function and command, library may be unavailable.</p> <p>User Response: Contact your ACS System Administrator and perform ACSLS library problem determination.</p>

-
- ANR8855E** **ACSAPI(*command name*) response with unsuccessful status, status=*acs status*.**
- Explanation:** The ACSLS library api responded with an unsuccessful status as indicated.
- System Action:** Depends on the server function and command, library may be unavailable.
- User Response:** If the status indicates STATUS_CAP_IN_USE, it might be CAP priorities not set to non-zero. It might also be CAPs are not set to automatic mode, or CAPs are in manual mode during manual checkin. If CAP mode and priorities are set correctly, contact your ACS System Administrator and perform ACSLS library problem determination.
-
- ANR8856E** **ACSAPI sequence(*sequence number*) request(*request number*) timed out, elapse time=*hours:minutes:seconds*.**
- Explanation:** The ACSLS client has received no response from the ACSLS server for the period as indicated in the elapsed time. The ACSLS library api function with the associated sequence number is canceled if the request number is non-zero.
- System Action:** Depends on the server function and command, library may be unavailable.
- User Response:** Contact your ACS System Administrator and perform ACSLS library problem determination.
-
- ANR8857I** **ACS access control set to user_id - *user id*, status=*acs status*.**
- Explanation:** The ACSLS ACCESSID structure for command and volume access control is set the user_id as indicated.
- System Action:** None.
- User Response:** Ensure the indicated user_id is the same as specified in the environment variable ACSAPI_USER_ID.
-
- ANR8858W** **Unable to lock drive *drive id,drive id,drive id,drive id*, status=*acs status*.**
- Explanation:** The ACSLS library function acs_lock_drive failed for the specified drive.
- System Action:** Depends on the server function and command, library drive may be unavailable. or may be temporary unavailable in a shared library environment.
- User Response:** Contact your ACS System Administrator and perform ACSLS library problem determination if the problem persists.
-

ANR8859W **Unable to lock volume** *volume id*, **status=acs status**.

Explanation: The ACSLS library function `acs_lock_volume` failed for the specified volume.

System Action: Depends on the server function and command, library volume is unavailable.

User Response: Contact your ACS System Administrator and perform ACSLS library problem determination if the problem persist.

ANR8860W **Volume** *volume id* **is already locked by** *user id*.

Explanation: The specified volume is already locked by other user or has a different lock id.

System Action: Depends on the function, the volume maybe bypassed or the process maybe terminated.

User Response: This may not be an error in a shared configuration. However, if the existing volume lock is not needed. contact your ACSLS system administrator to clear the lock the volume.

ANR8861I **Wait and monitor the ACSSA console message to remove volume** *volume id* **from CAP.**

Explanation: The specified volume is about to put into CAP for removal. Monitor the ACSSA console and removed the volume after it has been placed into the CAP as indicated in the ACSSA message.

System Action: None.

User Response: Monitor the ACSSA console and wait.

ANR8862I **Unable to access ACS volume** *volume id*.

Explanation: The specified ACSLS volume can not be accessed in the library. The possible reasons might be the volume is in use, the user is not authorized, the volume does not exist in the library.

System Action: Depends on the server function and command, library volume is unavailable.

User Response: Contact your ACS System Administrator and perform ACSLS library problem determination if the problem persist..

ANR8863I **Unlocking library *library name* volumes from the ACSLS server.**

Explanation: The volumes of the specified library are being unlocked from the ACSLS server.

System Action: The operation continues. The process may take a while depends on the number of volumes in the library.

User Response: None.

ANR8864I **ACSLs library *library name* is being re-initialized.**

Explanation: The specified ACSLS library is being re-initialized.

System Action: The operation continues. The process may take a while depends on the number of volumes in the library. All volumes in the library are being locked.

User Response: None.

ANR8865W **Volume *volume name* bypassed for *command*, *status=acs_status*.**

Explanation: The specified volume is bypassed. The volume is not in a valid status for the specified function.

System Action: The operation continues.

User Response: Determine the volume status from the ACSSA and re-issue the command if necessary.

ANR8866E **Incompatible option REMOVE=BULK for ACSLS libraries.**

Explanation: The REMOVE=BULK option is not supported for ACSLS libraries. The final response of ACSAPI acs_eject does not return to the application until the volume is removed from CAP.

System Action: The command fails.

User Response: Reissue the CHECKOUT LIBVOL command and specify REMOVE=YES or NO.

ANR8867I **Processing volume *volume id* for the *command* command.**

Explanation: The specified volume is being processed for the specified command.

System Action: The command process continues.

User Response: None.

ANR8868E **Ejecting Volume** *volume name* **Failed, status =** *acs_status*.

Explanation: The volume is failed to be ejected from the library due to the status as indicated

System Action: The operation continues.

User Response: Determine the volume status from the message and do something as needed

ANR8869E **Command: There is already a request to update drive** *drive name*.

Explanation: The designated drive cannot be deleted because there is a request to update the drive already.

System Action: The command is not processed.

User Response: None.

ANR8901E **Command: Incompatible options STATUS=CLEANER and CHECKLABEL=YES.**

Explanation: Cleaner cartridges do not have internal labels that can be checked by loading them into the drive.

System Action: The command fails.

User Response: Reissue the CHECKIN LIBVOL command and include the parameter, CHECKLABEL=BARCODE (with SEARCH=YES specified), or include the parameter CHECKLABEL=NO (with the required volume name specified in the CHECKIN command).

ANR8902W **Unable to read the barcode of cleaner cartridge in slot-id** *Element number of slot in library library name; cleaner not checked in.*

Explanation: The library barcode reader is unable to read the label of a cartridge that is checked in as a cleaner. The cartridge is found in the slot with the given element number.

System Action: The cartridge is not checked in. If the library is being searched, the checkin process continues with the next volume.

User Response: Examine the cartridge to ensure it has a barcode label and that it is compatible with the barcode reader. Not all vendors' labels are readable by all libraries. Check that the barcode reader is configured and is functioning properly. The cleaner cartridge can be checked in without use of the barcode label by issuing the CHECKIN LIBVOL command.

ANR8903E *Command: Missing CLEANINGS parameter for cleaner cartridge checkin.*

Explanation: When checking in a cleaner cartridge, the CLEANINGS parameter is required.

System Action: The command fails.

User Response: Reissue the CHECKIN LIBVOL command and specify a value for the CLEANINGS parameter which is used to determine the number of times a cleaner can be mounted to clean a drive.

ANR8904I *Command: Cleaning operation for drive drive name in library library name started as process process ID.*

Explanation: A command-driven process is started to clean the specified drive. The process is assigned the ID that is in the message.

System Action: In response to the CLEAN DRIVE command that is issued by an administrator, the server starts a background process to perform the operation.

User Response: To obtain status on the process, issue the QUERY PROCESS command. The process may be canceled with the CANCEL PROCESS command.

ANR8905I *CLEAN DRIVE process for drive drive name in library library name is been canceled.*

Explanation: A background server process is has been working to clean the specified drive and is canceled by the CANCEL PROCESS command.

System Action: The cleaning process is ended.

User Response: None.

ANR8906I *Cleaning drive drive name in library library name.*

Explanation: In response to a QUERY PROCESS command, this message displays the status for a CLEAN DRIVE process on the server. The given volume is being checked in to the designated library.

System Action: The background process operation continues. The process may be canceled by an authorized administrator using the CANCEL PROCESS command.

User Response: None. The process may be canceled by an authorized administrator using the CANCEL PROCESS command.

ANR8907E *CLEAN DRIVE for drive drive name in library library name failed.*

Explanation: The background process for a CLEAN DRIVE fails.

System Action: The background process ends, but the drive is not cleaned.

User Response: Make sure the library and drive devices associated with this command are powered on and ready. Reissue the command.

ANR8908I **CLEAN DRIVE for drive *drive name* in library *library name* completed successfully.**

Explanation: The specified drive is successfully cleaned in the library during processing of a CLEAN DRIVE command.

System Action: The drive is available for normal library operations.

User Response: None.

ANR8909I **Cleaning drive *drive name* in library *library name*- CANCEL PENDING.**

Explanation: In response to a QUERY PROCESS command, this message displays the status for a CLEAN DRIVE process on the server.

System Action: The background process operation is terminated.

User Response: None.

ANR8910I **No cleaner, or no cleaner with cleanings left, found in library *library name*.**

Explanation: A drive is selected to be loaded with a cleaner cartridge, but no cleaner, or cleaner with cleanings left, is found in the library's inventory.

System Action: The drive is available for normal library operations.

User Response: A cleaner should be checked in to the library by issuing the CHECKIN LIBVOL command.

ANR8911W **The cartridge in storage element *slot element address* in library *library name* is not a cleaner cartridge as was expected.**

Explanation: The cartridge is listed in the library's inventory with a cleaner volume status. After loading the cartridge in the specified storage cell into a drive for cleaning, it is determined that it is not a cleaner cartridge.

System Action: The drive is available for normal library operations.

User Response: The cartridge should be checked out of the library by issuing the CHECKOUT LIBVOL command. If necessary a cleaner cartridge should be checked in to replace it.

-
- ANR8912E** **Unable to verify the label of volume from slot-element *element-address* in library *library name*.**
- Explanation:** The volume from the slot that is identified by the element address is loaded into a drive. The drive cannot be opened following the load. The label cannot be read to process the volume.
- System Action:** The volume is stored, and processing continues with the next available slot.
- User Response:** Check the system error logs for errors reported by the drive that are related to this volume. Make sure that the cartridge is not a cleaner cartridge that would have been loaded by mistake. If the cartridge is a cleaner, issue the QUERY LIBVOL command to get the correct storage slot for the cleaner and move the cleaner to that slot. If the cleaner is not in the library's inventory, use the CHECKIN LIBVOL to check the cleaner in.
-
- ANR8913I** **Drive *drive name* in library *library name* is currently busy; Cleaning is scheduled.**
- Explanation:** A background process to clean the drive is unable to acquire the drive because the drive is busy.
- System Action:** The background process operation completes. The drive is scheduled to be cleaned when it is unloaded.
- User Response:** None.
-
- ANR8914I** **Drive *drive name* in library *library name* needs to be cleaned.**
- Explanation:** The drive has returned indicating to the server that it needs to be cleaned.
- System Action:** The server marks the drive to be cleaned. If the drive is enabled for server-managed cleaning, and a cleaner cartridge is checked into the library, the server will load the cleaner into the drive after the current volume is dismounted. See the DEFINE DRIVE and QUERY DRIVE commands for information on enabling server-managed cleaning. See the CHECKIN LIBVOL command for checking a cleaner into the library.
- User Response:** None.
-
- ANR8915I** **Cleaning cartridge *cleaner name* in library *library name* is near end of life; has *library name* uses left.**
- Explanation:** A cleaner cartridge is found and used, but its number of uses it has left is nearly exhausted.
- System Action:** The cleaning operation continues.
-

User Response: As the cleaner is used, monitor the number of cleanings that remain with the QUERY LIBVOL command. Remove the cleaner when all cleanings are exhausted. A new cleaner may be checked in so that the library is not left without a useful cleaner when the old cleaner is exhausted.

ANR8919I **Initialization and recovery has started for shared library** *library name*.

Explanation: The shared library has started to initialize or recover to resynchronize the library manager and library client.

System Action: None.

User Response: This process should synchronize all of the drives that are currently being used by this library client. This process might also start after a communication error or if the library client has not been able to verify drive status with the library manager.

ANR8920I **Initialization and recovery has ended for shared library** *library name*.

Explanation: Initialize or recover has ended the library manager and library client should be synchronized.

System Action: None.

User Response: The drives previously owned by the library client should now indicate they are free on the library manager. Verify this with the QUERY DRIVE command on the library manager. If ownership of the drives is still in question restart the library client and library manager.

ANR8921E **Unable to start library polling thread .**

Explanation: Library sharing requires that this polling thread starts. This thread keeps the library manager and library client synchronize with regards to drive ownership. These thread are started when the library is defined or when the server is first initialized.

System Action: None.

User Response: Since the polling thread did not start, the user must restart the server in order for library sharing to correctly work. Failure to restart the server and get these polling services running can cause unusual results for library clients.

ANR8922I **A device class for library** *library name* **was not found.**

Explanation: A library client request a mount operation to be performed by the library manager. The library manager is missing a device class definition for that library.

System Action: None.

User Response: Define a device class for the library using the DEFINE DEVCLASS command.

ANR8923I **Dismount failed because drive** *drive name* **in library** *library name* **is not currently owned by** *drive owner name*.

Explanation: A library client attempted to dismount on a drive that was not currently owned by the library client.

System Action: None.

User Response: None.

ANR9579W (HP-UX)

command: Unable to locate file file name.

Explanation: The specified file cannot be found. Note: PREPARE assumes that the volume formatting program (dsmfmt) is located in the same directory as the server executable file.

System Action: PREPARE uses the following default file names in the plan file:

- For the server executable the default is /opt/tivoli/tsm/server/bin/dsmserv.
- For the volume formatting program the default is /opt/tivoli/tsm/server/bin/dsmfmt.

User Response: Determine why file does not exist; create if necessary.

ANR9579W (Solaris)

command: Unable to locate file file name.

Explanation: The specified file cannot be found. Note: PREPARE assumes that the volume formatting program (dsmfmt) is located in the same directory as the server executable file.

System Action: PREPARE uses the following default file names in the plan file:

- For the server executable the default is /opt/tivoli/tsm/server/bin/dsmserv.
- For the volume formatting program the default is /opt/tivoli/tsm/server/bin/dsmfmt.

User Response: Determine why file does not exist; create if necessary.

ANR9580W (Solaris)

Command: **Generated replacement volume name** *volume name* **may not be a valid raw partition name. Original volume name:***volume name*. **Stanza is** *stanza name*.

Explanation: Appending the replacement volume name postfix to the original volume name has created a name that may not be a valid raw partition name.

System Action: Replacement volume name is used in the recovery plan stanza.

User Response: Manually update the generated recovery plan stanza with a legal replacement name. The replacement name can be another raw partition name or a regular file name.

ANR9581W (HP-UX)

command: **Volume file name not found while building stanza** *recovery plan stanza name*.

Explanation: This volume is defined to the server but does not exist. The device class associated with the volume is DISK or the device class device type is FILE.

System Action: The entry for the volume is not included in the recovery plan stanza.

User Response: Determine why file does not exist; create if necessary.

ANR9581W (Solaris)

command: **Volume file name not found while building stanza** *recovery plan stanza name*.

Explanation: This volume is defined to the server but does not exist. The device class associated with the volume is DISK or the device class device type is FILE.

System Action: The entry for the volume is not included in the recovery plan stanza.

User Response: Determine why file does not exist; create if necessary.

ANR9582E (HP-UX)

command: **Generated file name too long. Length of directory or prefix 'prefix' plus 'name' exceeds maximum characters characters.**

Explanation: The file name generated is too long. The maximum valid length is shown in the message.

System Action: The recovery plan file was not created.

User Response: Reissue the command specifying a valid prefix. The following commands are used to specify the prefix:

-
- SET DRMPLANPREFIX
 - SET DRMINSTRPREFIX
 - PREPARE
-

ANR9582E (Solaris)

command: **Generated file name too long. Length of directory or prefix 'prefix' plus 'name' exceeds maximum characters characters.**

Explanation: The file name generated is too long. The maximum valid length is shown in the message.

System Action: The recovery plan file was not created.

User Response: Reissue the command specifying a valid prefix. The following commands are used to specify the prefix:

- SET DRMPLANPREFIX
 - SET DRMINSTRPREFIX
 - PREPARE
-

ANR9583E (HP-UX)

command: **Cannot generate fully qualified file name for 'name'.**

Explanation: A failure occurred expanding the specified file name.

System Action: Recovery plan file not created.

User Response: Reissue the command specifying a valid prefix. The following commands are used to specify the prefix:

- SET DRMPLANPREFIX
 - SET DRMINSTRPREFIX
 - PREPARE
-

ANR9583E (Solaris)

command: **Cannot generate fully qualified file name for 'name'.**

Explanation: A failure occurred expanding the specified file name.

System Action: Recovery plan file not created.

User Response: Reissue the command specifying a valid prefix. The following commands are used to specify the prefix:

- SET DRMPLANPREFIX
 - SET DRMINSTRPREFIX
-

■ PREPARE

ANR9584E (HP-UX)

command: **Cannot generate server options file name.**

Explanation: A failure occurred generating the server options file name.

System Action: Recovery plan file not created.

User Response: See accompanying messages for more information.

ANR9584E (Solaris)

command: **Cannot generate server options file name.**

Explanation: A failure occurred generating the server options file name.

System Action: Recovery plan file not created.

User Response: See accompanying messages for more information.

ANR9585E (HP-UX)

command: **Cannot generate a volume history file name.**

Explanation: A failure occurred generating the volume history file name.

System Action: Recovery plan file not created.

User Response: See accompanying messages for more information.

ANR9585E (Solaris)

command: **Cannot generate a volume history file name.**

Explanation: A failure occurred generating the volume history file name.

System Action: Recovery plan file not created.

User Response: See accompanying messages for more information.

ANR9586E (HP-UX)

command: **Cannot generate a device configuration file name.**

Explanation: A failure occurred generating the device configuration file name.

System Action: Recovery plan file not created.

User Response: See accompanying messages for more information.

ANR9586E (Solaris)

command: **Cannot generate a device configuration file name.**

Explanation: A failure occurred generating the device configuration file name.

System Action: Recovery plan file not created.

User Response: See accompanying messages for more information.

ANR9600E (AIX) Invalid information passed to NETLS license interface.

Explanation: The server licensing functions encountered an internal error in accessing license information for the server storage capacity and number of registered clients.

System Action: Server operation continues. New licensing information is not used by the server.

User Response: Contact your service representative for assistance in resolving the error.

ANR9601E (AIX) The NETLS license interface was not initialized properly.

Explanation: The server licensing functions encountered an internal error in accessing license information for the server storage capacity and number of registered clients.

System Action: Server operation continues. New licensing information is not used by the server.

User Response: Contact your service representative for assistance in resolving the error.

ANR9602E (AIX) Invalid JOB information passed to the NETLS Interface.

Explanation: The server licensing functions encountered an internal error in accessing license information for the server storage capacity and number of registered clients.

System Action: Server operation continues. New licensing information is not used by the server.

User Response: Contact your service representative for assistance in resolving the error.

ANR9603E (AIX) The NETLS Nodelock file could not be created.

Explanation: The server was not able to create the file /usr/lib/netls/conf/nodelock which is used for storing license password information.

System Action: Server operation continues. New licensing information is not used by the server.

User Response: If the server is not running with root authority, make sure that directory authorities in the /usr/lib/netls/conf path are set so that the user ID under which the server is running can create, read, and write to the /usr/lib/netls/conf/nodelock file. If the server is running with root authority, contact your service representative for assistance in resolving this problem.

ANR9604E (AIX) The NETLS license interface encountered an internal error.

Explanation: The server licensing functions encountered an internal error in accessing license information for the server storage capacity and number of registered clients.

System Action: Server operation continues. New licensing information is not used by the server.

User Response: Contact your service representative for assistance in resolving the error.

ANR9605E (AIX) An invalid vendor ID was passed to NETLS.

Explanation: The server licensing functions encountered an internal error in accessing license information for the server storage capacity and number of registered clients.

System Action: Server operation continues. New licensing information is not used by the server.

User Response: Contact your service representative for assistance in resolving the error.

ANR9606E (AIX) NETLS failed to find socket families to contact a server.

Explanation: The server licensing functions encountered an internal error in accessing license information for the server storage capacity and number of registered clients.

System Action: Server operation continues. New licensing information is not used by the server.

User Response: Contact your service representative for assistance in resolving the error.

ANR9607E (AIX) No NETLS Servers found.

Explanation: The server licensing functions encountered an internal error in accessing license information for the server storage capacity and number of registered clients.

System Action: Server operation continues. New licensing information is not used by the server.

User Response: Contact your service representative for assistance in resolving the error.

ANR9608E (AIX) A NETLS Security Breach was encountered.

Explanation: The server licensing functions encountered an internal error in accessing license information for the server storage capacity and number of registered clients.

System Action: Server operation continues. New licensing information is not used by the server.

User Response: Contact your service representative for assistance in resolving the error.

ANR9609E (AIX) Incorrect license entered: Password entered = *password* Annotation entered = *annotation*.

Explanation: The license information entered for a REGISTER LICENSE command is not correct.

System Action: None.

User Response: Register the license again with the REGISTER LICENSE command. Be sure to correctly enter the license information.

ANR9610E (AIX) Unable to create directory: *directory*.

Explanation: The REGISTER LICENSE command is unable to either create or verify the specified directory structure.

System Action: None.

User Response: If the server is not running with root authority, make sure that directory authorities in the /usr/lib/netls/conf path are set so that the user ID under which the server is running can create, read, and write to the /usr/lib/netls/conf/nodelock file. If the server is running with root authority, contact your service representative for assistance in resolving this problem.

ANR9610E (Solaris)

Unable to create directory: *directory*.

Explanation: The REGISTER LICENSE command is unable to either create or verify the specified directory structure.

System Action: None.

User Response: If the server is not running with root authority, make sure that directory authorities in the given directory path are set so that the user under which the server is running can create, read, and write to the server's license file. If the server is running with root authority, contact your service representative for assistance in resolving this problem.

ANR9611E (AIX) Unable to open NODELOCK file: *file*.

Explanation: The REGISTER LICENSE command is unable to either create or open the nodelock file.

System Action: None.

User Response: If the server is not running with root authority, make sure that directory authorities in the /usr/lib/netls/conf path are set so that the user ID under which the server is running can create, read, and write to the /usr/lib/netls/conf/nodelock file. If the server is running with root authority, contact your service representative for assistance in resolving this problem.

ANR9612E (AIX) Error writing to NODELOCK file.

Explanation: The REGISTER LICENSE command fails writing to the nodelock file.

System Action: None.

User Response: If the server is not running with root authority, make sure that directory authorities in the /usr/lib/netls/conf path are set so that the user ID under which the server is running can create, read, and write to the /usr/lib/netls/conf/nodelock file. If the server is running with root authority, contact your service representative for assistance in resolving this problem.

ANR9613W (AIX)

Error loading *modname* for Licensing function.

Explanation: The server cannot load file module *modname* to initialize licensing functions.

System Action: Server operation continues. Default licensing values are in effect for running the server.

User Response: The dsmreg.lic module is accessed as part of the load process for licensing. It should be in the same directory as the dsmserv executable or it must be in a directory that is pointed to by the DSMSERV_DIR environment variable. The dsmreg.lic module is only installed when you purchase the product.

ANR9613W (Solaris)

Error loading *modname* for Licensing function.

Explanation: The server cannot load file module *modname* to initialize licensing functions.

System Action: Server operation continues. Default licensing values are in effect for running the server.

User Response: dsmreg.lic is accessed as part of the load process for licensing. It should be in the same directory as the dsmserv executable file or it must be in a directory that is pointed to by the DSMSERV_DIR environment variable. The dsmreg.lic module is only installed when you purchase the product.

ANR9614E (AIX) Unable to open license file: *file*.

Explanation: The REGISTER LICENSE command is unable to create or open the server license file.

System Action: None.

User Response: Make sure that the user ID under which the server is running has the authority required to create or write, or both, to the license file in the directory in which the server is running. If this does not resolve the problem, contact your service representative for assistance.

ANR9614E (Solaris)

Unable to open license file: *file*.

Explanation: The REGISTER LICENSE command is unable to either create or open the server license file.

System Action: None.

User Response: Make sure that the user ID under which the server is running has the authority required to create or write, or both, to the license file in the directory in which the server is running. If this does not resolve the problem, contact your service representative for assistance.

ANR9615E (AIX) Error writing to admserv.licenses file.

Explanation: The REGISTER LICENSE command fails writing to the server license file.

System Action: None.

User Response: Make sure that the user ID under which the server is running has the authority required to create or write, or both, to the license file in the directory in which the server is running. Also, ensure that free space is available in the file system so that the license information can be written to the file. If this does not resolve the problem, contact your service representative for assistance.

ANR9615E (Solaris)

Error writing to admserv.licenses file.

Explanation: The REGISTER LICENSE command fails writing to the server license file.

System Action: None.

User Response: Make sure that the userid under which the server is running has the authority required to create and/or write to the license file in the directory in which the server is running. Also ensure that there is free space available in the filesystem so that the license information can be written to the file. If this does not resolve the problem contact your service representative for assistance.

ANR9616I (AIX) Invalid license record *record value* found in license file - it will be skipped.

Explanation: The license manager found an invalid record in the server license file (admserv.licenses). The record is ignored.

System Action: The invalid record is ignored.

User Response: Erase the admserv.licenses file and reregister your licenses.

ANR9616W (Solaris)

Invalid license record *record value* found in license file - it will be ignored.

Explanation: The license manager found an invalid record in the server license file (admserv.licenses). The record is ignored.

System Action: The invalid record is ignored.

User Response: Erase the admserv.licenses file and reregister your licenses. Refer to the licenses provided to you to ensure that only valid licenses are specified with the REGISTER LICENSE command.

ANR9617I (AIX) Invalid license authorization: *authorization string*.

Explanation: The license authorization specified for a REGISTER LICENSE command is not valid.

System Action: Server operation continues; licensing terms are not changed by the REGISTER LICENSE command.

User Response: Examine the license authorization string that was entered with the REGISTER LICENSE command. Reenter the command if the license authorization was not specified correctly. If the license authorization has been specified correctly, contact your service representative.

ANR9617W (Solaris)

Invalid license authorization: *authorization string.*

Explanation: The license authorization specified for a REGISTER LICENSE command is not valid.

System Action: Server operation continues; licensing terms are not changed by the REGISTER LICENSE command.

User Response: Examine the license authorization that was entered using the REGISTER LICENSE command. Reenter the command if the license authorization was not specified correctly. If the license authorization has been specified correctly, contact your service representative.

ANR9618E (AIX) License registration is not supported on this server.

Explanation: The REGISTER LICENSE command fails because the license authorization module cannot be found.

System Action: Server operation continues; licensing terms are not changed by the REGISTER LICENSE command.

User Response: The license authorization file is required for formal licensing for the AIX/6000 server. The file is delivered when the product is purchased, but it is not available in the product service stream or with demonstration copies of the server. If you have purchased the server, contact your service representative for assistance in resolving this problem.

ANR9618E (Solaris)

License registration is not supported on this server.

Explanation: The REGISTER LICENSE command failed because the license authorization module could not be found.

System Action: Server operation continues; licensing terms are not changed by the REGISTER LICENSE command.

User Response: The license authorization file is required for formal licensing for the server. The file is delivered when the server is purchased, but is not available in

the product service stream or with demonstration copies of the server. If you have purchased the server, please contact your service representation for assistance in resolving this problem.

ANR9622I (AIX) An EVALUATION LICENSE for support of Tivoli Space Management will expire on *expiration date*.

Explanation: The AIX/6000 server is distributed with an evaluation license for Tivoli Space Management support. If no formal license is found for the server and the evaluation period has not lapsed, this message is displayed each time the server checks the server license terms.

System Action: The Tivoli Space Management license allows clients to utilize the server for storing files migrated during space management. The server checks this license when files are migrated to the server from client nodes to ensure that the server is licensed to perform this function.

User Response: If you are interested in using the server, contact your service representative to obtain formal licenses for the server before the evaluation period has elapsed. Without formal licenses, the server will not support Tivoli Space Management after the expiration date shown.

ANR9623I (AIX) An EVALUATION LICENSE for support of Tivoli Disaster Recovery Manager will expire on *expiration date*.

Explanation: The AIX/6000 server is distributed with an evaluation license for Tivoli Disaster Recovery Manager support. If no formal license is found for the server and the evaluation period has not lapsed, this message is displayed each time the server checks the server license terms.

System Action: The Tivoli Disaster Recovery Manager license allows customers to store information in the server regarding machines and recovery media, allows management of offsite recovery media, collects and stores information in the server for server recovery and allows data base and storage pool backups to a device class of type server. The server checks this license when machines or recovery media are defined to the server, when PREPARE or MOVE DRMMEDIA are invoked and when a data base backup or storage pool backup to a device class of type server are performed to ensure that the server is licensed to perform this function.

User Response: If you are interested in using the server, contact your service representative to obtain formal licenses for the server before the evaluation period has elapsed. Without formal licenses, the server will not support Tivoli Disaster Recovery Manager after the expiration date shown.

ANR9624E (AIX) Unexpected error encountered in iFor/LS (SystemView License Use Management) routine *license interface name status=xreported status code.*

Explanation: The server encountered an unexpected error in accessing the SystemView License Use Management function specified.

System Action: The server license monitoring operation fails

User Response: The SystemView License Use Management product is installed during normal AIX server installation. Check to make sure that server was installed correctly. If the installation was successful, re-boot your AIX system and re-start the server. If this message continues to be issued, contact your service representative.

ANR9624I (HP-UX)

An EVALUATION LICENSE for support of Tivoli Space Management will expire on *expiration date.*

Explanation: The server is distributed with an evaluation license for Tivoli Space Management support. If no formal license is found for the server and the evaluation period has not lapsed, this message is displayed each time the server checks the server license terms.

System Action: The Tivoli Space Management license allows clients to utilize the server for storing files migrated during space management. The server checks this license when files are migrated to the server from client nodes to ensure that the server is licensed to perform this function.

User Response: If you are interested in using the server, contact your service representative to obtain formal licenses for the server before the evaluation period has elapsed. Without formal licenses, the server will not support Tivoli Space Management after the expiration date shown.

ANR9624I (Solaris)

An EVALUATION LICENSE for support of Tivoli Space Management will expire on *expiration date.*

Explanation: The server is distributed with an evaluation license for Tivoli Space Management support. If no formal license is found for the server and the evaluation period has not lapsed, this message is displayed each time the server checks the server license terms.

System Action: The Tivoli Space Management license allows clients to utilize the server for storing files migrated during space management. The server checks this license when files are migrated to the server from client nodes to ensure that the server is licensed to perform this function.

User Response: If you are interested in using the server, contact your service representative to obtain formal licenses for the server before the evaluation period

has elapsed. Without formal licenses, the server will not support Tivoli Space Management after the expiration date shown.

ANR9624I (Windows NT)

An EVALUATION LICENSE for support of Tivoli Space Management will expire on *expiration date*.

Explanation: The server is distributed with an evaluation license for Tivoli Space Management support. If no formal license is found for the server and the evaluation period has not lapsed, this message is displayed each time the server checks the server license terms.

System Action: The Tivoli Space Management license allows clients to utilize the server for storing files migrated during space management. The server checks this license when files are migrated to the server from client nodes to ensure that the server is licensed to perform this function.

User Response: If you are interested in using the server, contact your service representative to obtain formal licenses for the server before the evaluation period has elapsed. Without formal licenses, the server will not support Tivoli Space Management after the expiration date shown.

ANR9625E (AIX) Could not open file *file name*.

Explanation: The server could not open the license certificate file specified.

System Action: The license registration command fails.

User Response: Examine the file specification entered, including wildcard characters, to determine if it names the license certificate file(s) you intended to use. If an error is found, re-try the command with the corrected specification. If an error cannot be found, contact your service representative.

ANR9625I (HP-UX)

An EVALUATION LICENSE for support of Tivoli Disaster Recovery Manager will expire on *expiration date*.

Explanation: The server is distributed with an evaluation license for Tivoli Disaster Recovery Manager support. If no formal license is found for the server and the evaluation period has not lapsed, this message is displayed each time the server checks the server license terms.

System Action: The Tivoli Disaster Recovery Manager license allows customers to store information in the server regarding machines and recovery media, allows management of offsite recovery media, collects and stores information in the server for server recovery and allows data base and storage pool backups to a device class of type server. The server checks this license when machines or recovery media are defined to the server, when PREPARE or MOVE DRMMEDIA are invoked and

when a data base backup or storage pool backup to a device class of type server are performed to ensure that the server is licensed to perform this function.

User Response: If you are interested in using the server, contact your service representative to obtain formal licenses for the server before the evaluation period has elapsed. Without formal licenses, the server will not support Tivoli Disaster Recovery Manager after the expiration date shown.

ANR9625I (Solaris)

An EVALUATION LICENSE for support of Tivoli Disaster Recovery Manager will expire on *expiration date*.

Explanation: The server is distributed with an evaluation license for Tivoli Disaster Recovery Manager support. If no formal license is found for the server and the evaluation period has not lapsed, this message is displayed each time the server checks the server license terms.

System Action: The Tivoli Disaster Recovery Manager license allows customers to store information in the server regarding machines and recovery media, allows management of offsite recovery media, collects and stores information in the server for server recovery and allows data base and storage pool backups to a device class of type server. The server checks this license when machines or recovery media are defined to the server, when PREPARE or MOVE DRMMEDIA are invoked and when a data base backup or storage pool backup to a device class of type server are performed to ensure that the server is licensed to perform this function.

User Response: If you are interested in using the server, contact your service representative to obtain formal licenses for the server before the evaluation period has elapsed. Without formal licenses, the server will not support Tivoli Disaster Recovery Manager after the expiration date shown.

ANR9625I (Windows NT)

An EVALUATION LICENSE for support of Tivoli Disaster Recovery Manager will expire on *expiration date*.

Explanation: The server is distributed with an evaluation license for Tivoli Disaster Recovery Manager support. If no formal license is found for the server and the evaluation period has not lapsed, this message is displayed each time the server checks the server license terms.

System Action: The Tivoli Disaster Recovery Manager license allows customers to store information in the server regarding machines and recovery media, allows management of offsite recovery media, collects and stores information in the server for server recovery and allows data base and storage pool backups to a device class of type server. The server checks this license when machines or recovery media are defined to the server, when PREPARE or MOVE DRMMEDIA are invoked and

when a data base backup or storage pool backup to a device class of type server are performed to ensure that the server is licensed to perform this function.

User Response: If you are interested in using the server, contact your service representative to obtain formal licenses for the server before the evaluation period has elapsed. Without formal licenses, the server will not support Tivoli Disaster Recovery Manager after the expiration date shown.

ANR9626E (AIX) Invalid license certificate file: *file name.*

Explanation: The specified file does not contain valid license certificate information.

System Action: The license registration command ignores the contents of the file.

User Response: Examine the file specification entered, including wildcard characters, to determine if it names the license certificate file(s) you intended to use. If an error is found, re-try the command with the corrected specification. If an error cannot be found, contact your service representative.

ANR9627E (AIX) Cannot access node license lock file: *file name.*

Explanation: The server was not able to access the specified file. The node lock file contains licensing information for the server.

System Action: The license function fails.

User Response: Examine the file specification displayed and ensure that the file attributes will allow the server to access the file. The location of the file is either in the directory from which the server is started, or in the directory specified by the DSMSEV_DIR environment variable. Re-specify the DSMSEV_DIR environment variable if this specification is in error. Also ensure that there is sufficient space on the drive specified for the file. If the problem persists after these corrections have been made, contact your service representative.

ANR9628E (Windows NT)

Unexpected error encountered in iFor/LS (SystemView License Use Management) routine *license interface name status=xreported status code.*

Explanation: The server encountered an unexpected error in accessing the SystemView License Use Management function specified.

System Action: The server license monitoring operation fails

User Response: The SystemView License Use Management product is installed during normal server installation. Check to make sure that the product was installed correctly. If the installation was successful, re-boot your system and re-start the server. If this message continues to be issued, contact your service representative.

ANR9629E (Windows NT)

Could not open file *file name*.

Explanation: The server could not open the license certificate file specified.

System Action: The license registration command fails.

User Response: Examine the file specification entered, including wildcard characters, to determine if it names the license certificate file(s) you intended to use. If an error is found, re-try the command with the corrected specification. If an error cannot be found, contact your service representative.

ANR9630E (Windows NT)

Invalid license certificate file: *file name*.

Explanation: The specified file does not contain valid license certificate information.

System Action: The license registration command ignores the contents of the file.

User Response: Examine the file specification entered, including wildcard characters, to determine if it names the license certificate file(s) you intended to use. If an error is found, re-try the command with the corrected specification. If an error cannot be found, contact your service representative.

ANR9631E (Windows NT)

Cannot access node license lock file: *file name*.

Explanation: The server was not able to access the specified file. The node lock file contains licensing information for the server.

System Action: The license function fails.

User Response: Examine the file specification displayed and ensure that the file attributes will allow the server to access the file. The location of the file is either in the directory from which the server is started, or in the directory specified by the DSMSEV_DIR environment variable. Re-specify the DSMSEV_DIR environment variable if this specification is in error. Also ensure that there is sufficient space on the drive specified for the file. If the problem persists after these corrections have been made, contact your service representative.

ANR9632I (Windows NT)

Cannot load licensing DLL library: *DLL file name* : **the server will assume evaluation licensing mode.**

Explanation: The server was not able to load the specified dynamic link library.

System Action: Server licensing assumes Try and Buy mode with licenses for 180 days.

User Response: The named DLL library(ies) are required for the server to support feature licensing. If you are running an evaluation copy of the server, this message should not cause concern and is normal. If the libraries are installed and this message continues to be issued, contact a support representative for assistance.

ANR9634E (AIX) *command name: No license certificate files were found with the file name specification specification.*

Explanation: The server did not find any license certificate file(s) with the file name specification entered.

System Action: The license registration command fails.

User Response: Examine the file specification entered, including wildcard characters, to determine if it names the license certificate file(s) you intended to use. The file name specification indicates the fully qualified file name the server was trying to read. The directory used to locate the license certificate files when no explicit path is provided is determined as follows:

- The directory path pointed by the environmental variable DSMSERV_DIR if this variable is defined
- The current working directory of the server process if the DSMSERV_DIR variable is not defined

If an error is found, re-try the command with the corrected specification. If an error cannot be found, contact your service representative.

ANR9634E (HP-UX)

command name: No license certificate files were found with the file name specification specification.

Explanation: The server did not find any license certificate file(s) with the file name specification entered.

System Action: The license registration command fails.

User Response: Examine the file specification entered, including wildcard characters, to determine if it names the license certificate file(s) you intended to use. If an error is found, re-try the command with the corrected specification. If an error cannot be found, contact your service representative.

ANR9634E (Solaris)

command name: No license certificate files were found with the file name specification specification.

Explanation: The server did not find any license certificate file(s) with the file name specification entered.

System Action: The license registration command fails.

User Response: Examine the file specification entered, including wildcard characters, to determine if it names the license certificate file(s) you intended to use. If an error is found, re-try the command with the corrected specification. If an error cannot be found, contact your service representative.

ANR9634E (Windows NT)

command name: **No license certificate files were found with the file name specification specification.**

Explanation: The server did not find any license certificate file(s) with the file name specification entered.

System Action: The license registration command fails.

User Response: Examine the file specification entered, including wildcard characters, to determine if it names the license certificate file(s) you intended to use. If an error is found, re-try the command with the corrected specification. If an error cannot be found, contact your service representative.

ANR9635E (HP-UX)

Invalid license certificate file: *file name.*

Explanation: The specified file does not contain valid license certificate information.

System Action: The license registration command ignores the contents of the file.

User Response: Examine the file specification entered, including wildcard characters, to determine if it names the license certificate file(s) you intended to use. If an error is found, re-try the command with the corrected specification. If an error cannot be found, contact your service representative.

ANR9635E (Solaris)

Invalid license certificate file: *file name.*

Explanation: The specified file does not contain valid license certificate information.

System Action: The license registration command ignores the contents of the file.

User Response: Examine the file specification entered, including wildcard characters, to determine if it names the license certificate file(s) you intended to use. If an error is found, re-try the command with the corrected specification. If an error cannot be found, contact your service representative.

ANR9635E (Windows NT)

Invalid license certificate file: *file name*.

Explanation: The specified file does not contain valid license certificate information.

System Action: The license registration command ignores the contents of the file.

User Response: Examine the file specification entered, including wildcard characters, to determine if it names the license certificate file(s) you intended to use. If an error is found, re-try the command with the corrected specification. If an error cannot be found, contact your service representative.

ANR9636E (HP-UX)

Could not open file *file name*.

Explanation: The server could not open the license certificate file specified.

System Action: The license registration command fails.

User Response: Examine the file specification entered, including wildcard characters, to determine if it names the license certificate file(s) you intended to use. If an error is found, re-try the command with the corrected specification. If an error cannot be found, contact your service representative.

ANR9636E (Solaris)

Could not open file *file name*.

Explanation: The server could not open the license certificate file specified.

System Action: The license registration command fails.

User Response: Examine the file specification entered, including wildcard characters, to determine if it names the license certificate file(s) you intended to use. If an error is found, re-try the command with the corrected specification. If an error cannot be found, contact your service representative.

ANR9636E (Windows NT)

Could not open file *file name*.

Explanation: The server could not open the license certificate file specified.

System Action: The license registration command fails.

User Response: Examine the file specification entered, including wildcard characters, to determine if it names the license certificate file(s) you intended to use. If an error is found, re-try the command with the corrected specification. If an error cannot be found, contact your service representative.

ANR9637E (HP-UX)

Cannot access node license lock file: *file name.*

Explanation: The server was not able to access the specified file. The node lock file contains licensing information for the server.

System Action: The license function fails.

User Response: Examine the file specification displayed and ensure that the file attributes will allow the server to access the file. The location of the file is either in the directory from which the server is started, or in the directory specified by the DSMSEV_DIR environment variable. Re-specify the DSMSEV_DIR environment variable if this specification is in error. Also ensure that there is sufficient space on the drive specified for the file. If the problem persists after these corrections have been made, contact your service representative.

ANR9637E (Solaris)

Cannot access node license lock file: *file name.*

Explanation: The server was not able to access the specified file. The node lock file contains licensing information for the server.

System Action: The license function fails.

User Response: Examine the file specification displayed and ensure that the file attributes will allow the server to access the file. The location of the file is either in the directory from which the server is started, or in the directory specified by the DSMSEV_DIR environment variable. Re-specify the DSMSEV-DIR environment variable if this specification is in error. Also ensure that there is sufficient space on the drive specified for the file. If the problem persists after these corrections have been made, contact your service representative.

ANR9637E (Windows NT)

Cannot access node license lock file: *file name.*

Explanation: The server was not able to access the specified file. The node lock file contains licensing information for the server.

System Action: The license function fails.

User Response: Examine the file specification displayed and ensure that the file attributes will allow the server to access the file. The location of the file is either in the directory from which the server is started, or in the directory specified by the DSMSEV_DIR environment variable. Re-specify the DSMSEV-DIR environment variable if this specification is in error. Also ensure that there is sufficient space on the drive specified for the file. If the problem persists after these corrections have been made, contact your service representative.

ANR9638W (HP-UX)

License registration is not supported on this server.

Explanation: The REGISTER LICENSE command fails because the license authorization module cannot be found.

System Action: Server operation continues; licensing terms are not changed by the REGISTER LICENSE command.

User Response: The license authorization file is required for formal licensing for the HP-UX server. The file is delivered when the server is purchased, but it is not available in the product service stream or with demonstration copies of the server. If you have purchased the server, contact your service representative for assistance in resolving this problem.

ANR9638W (Solaris)

License registration is not supported on this server.

Explanation: The REGISTER LICENSE command fails because the license authorization module cannot be found.

System Action: Server operation continues; licensing terms are not changed by the REGISTER LICENSE command.

User Response: The license authorization file is required for formal licensing for the Sun Solaris server. The file is delivered when the server is purchased, but it is not available in the product service stream or with demonstration copies of the server. If you have purchased the server, contact your service representative for assistance in resolving this problem.

ANR9638W (Windows NT)

License registration is not supported on this server.

Explanation: The REGISTER LICENSE command fails because the license authorization module cannot be found.

System Action: Server operation continues; licensing terms are not changed by the REGISTER LICENSE command.

User Response: The license authorization file is required for formal licensing for the Windows NT server. The file is delivered when the product is purchased, but it is not available in the product service stream or with demonstration copies of the server. If you have purchased the server, contact your service representative for assistance in resolving this problem.

ANR9639W (HP-UX)

Unable to load shared library *shared library*.

Explanation: The server module is unable to load the indicated shared library.

System Action: Server operation continues, but the function that requires the shared library will be inoperative.

User Response: Ensure that the shared library is accessible. If this is an evaluation copy of the server, then this message is normal for the DSMREG library, since the library is only provided with purchased servers. The server licensing will assume "Try and Buy" mode with sample licensed options for a period of time.

ANR9639W (Solaris)

Unable to load Shared License File *shared library*.

Explanation: The server was unable to loaded the shared library.

System Action: Server operation continues, but functions that require the shared library will be inoperative.

User Response: Make sure the shared library is accessible/readable. This message is normal for those servers in the Try and Buy mode.

ANR9640E (HP-UX)

Unable to load procedure address from shared library *shared library*.

Explanation: The server module is unable to load the address of a routine in the indicated shared library.

System Action: Server operation continues, but the function that requires the shared library will be inoperative.

User Response: Ensure that the shared library is accessible. If the problem persists, contact you service representative.

ANR9640E (Solaris)

Unable to load procedure address from shared library *shared library* **license module.**

Explanation: The server module is unable to load the address of a routine in the indicated shared library for license loading.

System Action: Server operation continues, but the function that requires the shared library will be inoperative.

User Response: Ensure that the shared library is accessible. If the problem persists, contact your customer service representative.

ANR9641W (HP-UX)

One or more EVALUATION LICENSES will expire on *expiration date*.

Explanation: Although you are running with a purchased version of the server, there are one or more licenses registered that will expire on the date specified. This is usually the case when you have been using evaluation licenses prior to purchasing the product.

System Action: Server operation continues.

User Response: Halt the server and erase the nodelock file in the server startup directory. After restarting the server, use the REGISTER LICENSE command to define the licensed features that you have purchased with your server. These licenses should NOT have an expiration date, so this message should not appear after re-registering the proper licenses. If this message persists, contact your service representative.

ANR9641W (Solaris)

One or more EVALUATION LICENSES will expire on *expiration date*.

System Action: Server operation continues.

User Response: Halt the server and erase the nodelock file in the server startup directory. After restarting the server, use the REGISTER LICENSE command to define the licensed features that you have purchased with your server. These licenses should NOT have an expiration date, so this message should not appear after re-registering the proper licenses. If this message persists, contact your service representative.

ANR9642E (HP-UX)

The specified license authorization code (*license authorization code*) is invalid.

Explanation: The license authorization code which you entered using the REGISTER LICENSE command is invalid.

System Action: No additional licenses are registered. Server operation continues.

User Response: Obtain a valid license authorization code and try the command again.

ANR9678W (Windows NT)

***file name* used for server executable. A server is currently running as a service.**

Explanation: The name of the executable used when the server is running as a service cannot be used in the plan file.

System Action: PREPARE uses file name identified in the message within the plan file and generation of the plan file continues.

User Response: None.

ANR9679W (AIX)

command: Unable to locate file file name.

Explanation: The specified file cannot be found. Note: PREPARE assumes that the volume formatting program (dsmfmt), is located in the same directory as the server executable file.

System Action: PREPARE uses the following default file names in the plan file:

- For the server executable the default is /usr/tivoli/tsm/server/bin/dsmserv.
- For the volume formatting program the default is /usr/tivoli/tsm/server/bin/dsmfmt.

User Response: Determine why file does not exist; create if necessary.

ANR9679W (Windows NT)

command: Unable to locate file file name.

Explanation: The specified file cannot be found.

System Action: PREPARE uses the following default file names in the plan file:

- For the server executable the default is c:\program files\tivoli\tsm\server\dsmserve.

User Response: Determine why file does not exist; create if necessary.

ANR9680W (AIX)

command: Could not obtain AIX logical volume information for volume name while building stanza recovery plan stanza name.

Explanation: This volume is defined to the server but PREPARE can not obtain AIX logical volume information for it from the AIX Object Data Manager (ODM).

System Action: The entry for the volume is not included in the recovery plan stanza.

User Response: This message should be preceded by another error message which contains the ODM error code.

ANR9680W (HP-UX)

command: Could not obtain logical volume information for volume name while building stanza recovery plan stanza name.

Explanation: This volume is defined to the server but PREPARE can not obtain logical volume information for it.

System Action: The entry for the volume is not included in the recovery plan stanza.

User Response: This message should be preceded by another error message which contains an error code.

ANR9680W (S/390)

command: **Catalog information cannot be obtained for file 'file name'.**

Explanation: Catalog information cannot be obtained for the file specified in the message. DRM does not support creation of JCL for a file that is not catalogued.

System Action: The stanzas, where JCL is created, for this file will not contain volume or unit information.

User Response: Catalog the file.

ANR9680W (Solaris)

command: **Could not obtain logical volume information for volume name while building stanza recovery plan stanza name.**

Explanation: This volume is defined to the server but PREPARE can not obtain logical volume information for it.

System Action: The entry for the volume is not included in the recovery plan stanza.

User Response: This message should be preceded by another error message which contains an error code.

ANR9680W (Windows NT)

Unable to locate path for component in registry.

Explanation: The path to the component could not be found in the registry.

System Action: PREPARE uses the following default path names in the plan file:

- For the components installation directory the default is
c:\program files\tivoli\tsm\server\
- For the administrative command line client the default is
c:\program files\tivoli\tsm\baclient\
- For the disk formatting utility the default is c:\program files\tivoli\tsm\utils\

User Response: Determine why path does not exist; install components if necessary.

ANR9681W (AIX)

command: Volume file name not found while building stanza recovery plan stanza name.

Explanation: This volume is defined to the server but does not exist. The device class associated with the volume is DISK or the device class device type is FILE.

System Action: The entry for the volume is not included in the recovery plan stanza.

User Response: Determine why the file does not exist; create it if necessary.

ANR9681W (AS/400)

command: Volume file name not found while building stanza recovery plan stanza name.

Explanation: This volume is defined to the ADSM server but does not exist or has some other problem. If the file exists, the error code issued in a previous message can be checked to determine the problem. The device class associated with the volume is DISK or the device class device type is FILE.

System Action: The entry for the volume is not included in the recovery plan stanza.

User Response: Determine why file does not exist or what the problem is; create if necessary.

ANR9681W (S/390)

command: Volume file name not found while building stanza recovery plan stanza name.

Explanation: This volume is defined to the server but does not exist. The device class associated with the volume is DISK or the device class device type is FILE.

System Action: The entry for the volume is not included in the recovery plan stanza.

User Response: Determine why file does not exist; create if necessary.

ANR9681W (Windows NT)

command: Volume file name not found while building stanza recovery plan stanza name.

Explanation: This volume is defined to the server but does not exist. The device class associated with the volume is DISK or the device class device type is FILE.

System Action: The entry for the volume is not included in the recovery plan stanza.

User Response: Determine why file does not exist; create if necessary.

ANR9682E (AIX) *command: Generated file name too long. Length of directory or prefix 'prefix' plus 'name' exceeds maximum characters characters.*

Explanation: The file name generated is too long. The maximum valid length is shown in the message.

System Action: The recovery plan file was not created.

User Response: Reissue the command specifying a valid prefix. The following commands are used to specify the prefix:

- SET DRMPLANPREFIX
- SET DRMINSTRPREFIX
- PREPARE

ANR9682E (AS/400)

command: Generated file name too long. Length of library or prefix 'prefix' plus 'name' exceeds maximum characters characters.

Explanation: The file name generated is too long. The maximum valid length is shown in the message.

System Action: The recovery plan file was not created.

User Response: Reissue the command specifying a valid prefix. The following commands are used to specify the prefix:

- SET DRMPLANPREFIX
- SET DRMINSTRPREFIX
- PREPARE

ANR9682E (S/390)

command: Generated file name too long. Length of directory or prefix 'prefix' plus 'name' exceeds maximum characters characters.

Explanation: The file name generated is too long. The maximum valid length is shown in the message.

System Action: The recovery plan file was not created.

User Response: Reissue the command specifying a valid prefix. The following commands are used to specify the prefix:

- SET DRMPLANPREFIX
- SET DRMINSTRPREFIX

-
- PREPARE
-

ANR9682E (Windows NT)

command: **Generated file name too long. Length of directory or prefix 'prefix' plus 'name' exceeds maximum characters characters.**

Explanation: The file name generated is too long. The maximum valid length is shown in the message.

System Action: The recovery plan file was not created.

User Response: Reissue the command specifying a valid prefix. The following commands are used to specify the prefix:

- SET DRMPLANPREFIX
 - SET DRMINSTRPREFIX
 - PREPARE
-

ANR9683E (AIX) *command:* **Cannot generate fully qualified file name for 'name'.**

Explanation: A failure occurred expanding the specified file name.

System Action: Recovery plan file not created.

User Response: Reissue the command specifying a valid prefix. The following commands are used to specify the prefix:

- SET DRMPLANPREFIX
 - SET DRMINSTRPREFIX
 - PREPARE
-

ANR9683E (AS/400)

command: **Cannot generate fully qualified file name for 'name'.**

Explanation: A failure occurred expanding the specified file name.

System Action: Recovery plan file not created.

User Response: Reissue the command specifying a valid prefix. The following commands are used to specify the prefix:

- SET DRMPLANPREFIX
 - SET DRMINSTRPREFIX
 - PREPARE
-

ANR9683W (S/390)

command: **Cannot generate fully qualified file name for 'name'. Prepare will substitute file name 'default name'.**

Explanation: The fully qualified name for the volume history or device configuration file specified in the message could not be determined. Either the volume history or device configuration file specified in the plan file does not exist or some other error has occurred.

System Action: Recovery plan file was created using the substitute name.

User Response: Reissue the command after the volume history or device configuration file has been backed up.

ANR9683E (Windows NT)

command: **Cannot generate fully qualified file name for 'name'.**

Explanation: A failure occurred expanding the specified file name.

System Action: Recovery plan file not created.

User Response: Reissue the command specifying a valid prefix. The following commands are used to specify the prefix:

- SET DRMPLANPREFIX
 - SET DRMINSTRPREFIX
 - PREPARE
-

ANR9684E (AIX) *command:* Cannot generate server options file name.

Explanation: A failure occurred generating the server options file name.

System Action: Recovery plan file not created.

User Response: See accompanying messages for more information.

ANR9684E (AS/400)

command: **Cannot generate server options file name.**

Explanation: A failure occurred generating the server options file name.

System Action: Recovery plan file not created.

User Response: See accompanying messages for more information.

ANR9684E (S/390)

command: **Cannot generate fully qualified file name for 'name'.**

Explanation: A failure occurred creating the specified file name.

System Action: Recovery plan file not created.

User Response: Reissue the command specifying a valid prefix. The following commands are used to specify the prefix:

- SET DRMPLANPREFIX
- SET DRMINSTRPREFIX
- PREPARE

ANR9684E (Windows NT)

command: **Cannot generate server options file name.**

Explanation: A failure occurred generating the server options file name.

System Action: Recovery plan file not created.

User Response: See accompanying messages for more information.

ANR9685E (AIX) *command:* Cannot generate a volume history file name.

Explanation: A failure occurred generating the volume history file name.

System Action: Recovery plan file not created.

User Response: See accompanying messages for more information.

ANR9685E (AS/400)

command: **Cannot generate a volume history file name.**

Explanation: A failure occurred generating the volume history file name.

System Action: Recovery plan file not created.

User Response: See accompanying messages for more information.

ANR9685E (S/390)

command: **Catalog information cannot be found for options file 'file name'.**

Explanation: The options file name specified in the message is not cataloged. The options file must be cataloged.

System Action: The recovery plan file was not created.

User Response: Catalog the options file.

ANR9685E (Windows NT)

command: **Cannot generate a volume history file name.**

Explanation: A failure occurred generating the volume history file name.

System Action: Recovery plan file not created.

User Response: See accompanying messages for more information.

ANR9686E (AIX) *command:* Cannot generate a device configuration file name.

Explanation: A failure occurred generating the device configuration file name.

System Action: Recovery plan file not created.

User Response: See accompanying messages for more information.

ANR9686E (AS/400)

command: **Cannot generate a device configuration file name.**

Explanation: A failure occurred generating the device configuration file name.

System Action: Recovery plan file not created.

User Response: See accompanying messages for more information.

ANR9686E (Windows NT)

command: **Cannot generate a device configuration file name.**

Explanation: A failure occurred generating the device configuration file name.

System Action: Recovery plan file not created.

User Response: See accompanying messages for more information.

ANR9690W (S/390)

command: **Cannot obtain help file name.**

Explanation: Help file name cannot be obtained. HLPAMENG will not be included in the START.SERVER stanza of the plan file.

System Action: Processing continues.

User Response: None.

ANR9691W (S/390)

command: **Cannot obtain image file name.**

Explanation: Image file name cannot be obtained. IMAGES will not be included in the START.SERVER stanza of the plan file.

System Action: Processing continues.

User Response: None.

ANR9710E Insufficient memory to continue operations.

Explanation: There is not enough memory to operate the label utility program.

System Action: The program is halted.

User Response: Provide more memory for the program to use.

ANR9711E Unrecognized argument '*argument*'.

Explanation: The specified argument is not recognized as one that is supported by the label utility program.

System Action: The program is halted.

User Response: Retry the label utility program with the correct argument syntax.

ANR9712E Argument has invalid value '*argument*'.

Explanation: The value specified for the given argument is not valid.

System Action: The program is halted.

User Response: Retry the label utility program with the correct argument syntax.

ANR9713E Only one library can be specified.

Explanation: Only one library can be specified in the argument list for the label utility program.

System Action: The program is halted.

User Response: Retry the label utility program with the correct argument syntax.

ANR9714E No drives were specified.

Explanation: At least one drive must be specified for use by the label utility (DSMLABEL) program.

System Action: The program is halted.

User Response: Retry the label utility program with the correct argument syntax.

ANR9715E **Error starting label activity for drive *drive name*.**

Explanation: The label utility is unable to start its activity for the given drive.

System Action: The program is halted.

User Response: Increase the number of allowed threads or processes in the system, then retry the operation.

ANR9716E **Device '*library name*' is not accessible, or is not recognized as a supported library type.**

Explanation: The device specified for the library cannot be accessed or is not recognized as a supported device.

System Action: The program is halted.

User Response: Retry the operation, specifying a valid supported library.

ANR9717E **Element address *element address* is not valid for drive '*drive name*'.**

Explanation: The specified element address does not represent a valid drive location in the associated library.

System Action: The program is halted.

User Response: Retry the operation, specifying a valid element address for the drive.

ANR9718E **Device '*drive name*' is not recognized as a supported drive type.**

Explanation: The device specified for the drive is not recognized as a supported device.

System Action: The program is halted.

User Response: Retry the operation, specifying a valid supported drive.

ANR9719E **Too many drives were specified.**

Explanation: The number of drives specified on the command line exceeds the limits of the program.

System Action: The program is halted.

User Response: Retry the operation, specifying only up to the maximum number of supported drives. The program can be invoked with the -help argument to determine this maximum value.

-
- ANR9720I** **Volume** *'volume name'* **was labeled successfully using drive** *'drive name'*.
- Explanation:** The volume is successfully labeled.
- System Action:** The program continues operation.
- User Response:** None.
-
- ANR9721E** **'Volume name' is not a valid volume name.**
- Explanation:** The specified string is not a valid volume name.
- System Action:** The program prompts for a new volume name.
- User Response:** Enter a volume name that is within the length constraints for the media type being labeled, and which contains only alphanumeric characters.
-
- ANR9722I** **Insert a new volume in drive** *'drive name'*, **then enter the name (1-maximum length characters) to be used for its label; or just press ENTER to quit this program:**
- Explanation:** The program prompts for a new volume to be mounted in the given drive so that a label can be written to it.
- System Action:** The program waits for the volume name to be entered.
- User Response:** Mount a new volume, then type a volume name for it and press ENTER; or, if you want to quit the program, press ENTER without entering a volume name.
-
- ANR9723I** **Insert side A of a new volume in drive** *'drive name'*, **then enter the name (1-maximum length characters) to be used for its label; or just press ENTER to quit this program:**
- Explanation:** The program prompts for a new volume to be mounted in the given drive so that a label can be written to it.
- System Action:** The program waits for the volume name to be entered.
- User Response:** Mount side A of a new volume, then type a volume name for it and press ENTER; or, if you want to quit the program, press ENTER without entering a volume name.
-
- ANR9724I** **Flip the volume in drive** *'drive name'* **to side B, then press ENTER.**
- Explanation:** The program prompts for a two-sided volume to be flipped so that its second side can be labeled.
- System Action:** The program waits for the ENTER key to be pressed.
-

User Response: Flip the volume in the drive, and press ENTER.

ANR9725E

The volume in drive 'drive name' is already labeled (*volume name*).

Explanation: The volume in the specified drive cannot be labeled because it already contains a valid label with the given name.

System Action: The volume is not labeled.

User Response: If an overwrite of the existing label with a new label is desired, restart the DSMLABEL utility program by using the `-overwrite` argument.

ANR9726E

I/O error writing label for volume 'volume name' in drive 'drive name'.

Explanation: An I/O error occurs while attempting to write the label for the specified volume in the given drive.

System Action: The volume is not labeled.

User Response: Ensure that the volume is not write protected, the drive is powered on and ready, and the device parameter has the correct value.

ANR9727E

Media fault detected on volume 'volume name' in drive 'drive name'.

Explanation: A media fault condition is detected for the specified volume in the given drive.

System Action: The volume is not labeled.

User Response: Remove the volume from use, since the media is questionable. If the media in question requires formatting, such as an unformatted optical disk, retry the operation by starting the program with the `'-format'` argument.

ANR9728E

Error ejecting volume from drive 'drive name'.

Explanation: An error occurs while ejecting the volume from the given drive.

System Action: All further activity on the given drive is suspended.

User Response: Ensure that the drive is in proper operating condition before resuming its use.

ANR9729E

I/O error formatting volume 'volume name' in drive 'drive name'.

Explanation: An I/O error occurs while attempting to format the media for the specified volume in the given drive.

System Action: The volume is not labeled.

User Response: Ensure that the volume is not write protected, that the drive is powered on and ready, and that the media is not damaged.

ANR9730I **Manual intervention required for library device** *'library device name'*.

Explanation: The specified library device requires manual intervention before it can be accessed for normal operations.

System Action: The operation will be retried periodically until either the required action is performed or a timeout occurs.

User Response: If the library has an access door, make sure it is in the closed position. If it has a cartridge carousel, make sure the carousel is installed.

ANR9731I **Insert a new volume into the entry/exit port of library** *'library device name'*, **then enter the name (1-maximum length characters) to be used for its label; or just press ENTER to quit this program:**

Explanation: The program prompts for a new volume to be mounted in the entry/exit port of the given library so that a label can be written to it.

System Action: The program waits for the volume name to be entered.

User Response: Insert a new volume into the entry/exit port, then type a volume name for it and press ENTER; or, if you want to quit the program, press ENTER without entering a volume name.

ANR9732I **Insert a new volume in the entry/exit port of library** *'library device name'* **with side A facing up, then enter the name (1-maximum length characters) to be used for its label; or just press ENTER to quit this program:**

Explanation: The program prompts for a new volume to be mounted in the entry/exit port of the given library so that a label can be written to it.

System Action: The program waits for the volume name to be entered.

User Response: Insert a new volume into the entry/exit port, then type a volume name for it and press ENTER; or, if you want to quit the program, press ENTER without entering a volume name.

ANR9733I **Insert a new volume in drive** *'drive name'* **of library** *'library device name'*, **then enter the name (1-maximum length characters) to be used for its label; or just press ENTER to quit this program:**

Explanation: The program prompts for a new volume to be mounted in the given drive so that a label can be written to it.

System Action: The program waits for the volume name to be entered.

User Response: Mount a new volume, close the library access door, and then type a volume name for it and press ENTER; or, if you want to quit the program, press ENTER without entering a volume name.

ANR9734I **Insert side A of a new volume in drive '*drive name*' of library '*library device name*', then enter the name (1-maximum length characters) to be used for its label; or just press ENTER to quit this program:**

Explanation: The program prompts for a new volume to be mounted in the given drive so that a label can be written to it.

System Action: The program waits for the volume name to be entered.

User Response: Mount side A of a new volume, close the library access door, and then type a volume name for it and press ENTER; or, if you want to quit the program, press ENTER without entering a volume name.

ANR9735I **Enter the name (1-maximum length characters) for the next volume to label in library '*library device name*'; or just press ENTER to quit this program:**

Explanation: The program prompts for the name of the next volume to be labeled in the given library.

System Action: The program waits for the volume name to be entered.

User Response: Type the name for the next volume to be labeled and then press ENTER; or, if you want to quit the program, press ENTER without entering a volume name.

ANR9736E **An I/O error occurred while accessing library device '*library device name*'.**

Explanation: An attempted I/O operation for the given library failed.

System Action: If the error is noncritical, operation continues; otherwise, the program is halted.

User Response: Ensure that the library device is powered on and ready, any access doors are closed, the device parameter has the correct value, and then retry the operation that was in progress when the error occurred.

ANR9737I **Remove the volume from drive '*drive name*' in library '*library device name*', then press ENTER.**

Explanation: All activity associated with the volume in the given drive is complete, so it should be removed.

System Action: The program waits until the ENTER key is pressed.

User Response: Remove the volume from the specified drive, then close the library access door and press ENTER.

ANR9738I **Remove the volume from the entry/exit port of library 'library device name', then press ENTER.**

Explanation: All activity associated with the volume in the entry/exit port is complete, so it should be removed.

System Action: The program waits until the ENTER key is pressed.

User Response: Remove the volume from the entry/exit port, and press ENTER.

ANR9739I **Initializing library device 'library device name'.**

Explanation: The specified library device is being initialized for use by the labeling utility program.

System Action: The library device is prepared for use.

User Response: None.

ANR9740E **Volume 'volume name' is not in the INSERT category.**

Explanation: The specified volume cannot be labeled because it is not in the library's "insert" category. This restriction is provided as a safeguard against labeling volumes that are in use, and possibly destroying valid data.

System Action: The volume is not labeled.

User Response: If you are sure the volume contains no valid data, it can be removed from the library and then reinserted with the library's convenience I/O station. This will cause the volume's category code to be changed to the INSERT category, and thus allow the labeling operation to work.

ANR9741E **Drives 'drive name' and 'drive name' cannot use the same element address.**

Explanation: The element addresses specified for the given drives are the same. This is not allowed, since the element address is the only way in which the robot can distinguish between different drives in a SCSI library.

System Action: The program is stopped.

User Response: Restart the program, providing valid and unique element addresses. Appropriate values can be determined with the worksheets in *Administrator's Guide*.

ANR9742E	The element address for drive '<i>drive name</i>' is missing or invalid. Explanation: The element address value for the specified drive is omitted, or an illegal value has been provided. System Action: The program is stopped. User Response: Restart the program, providing a valid element address. Appropriate values can be determined with the worksheets in <i>Administrator's Guide</i> .
ANR9743I	Attempting to label volume '<i>volume name</i>' using drive '<i>drive name</i>'... Explanation: The specified volume is in the process of being labeled in the given drive. System Action: Labeling activity continues. User Response: None.
ANR9744E	Volume '<i>volume name</i>' is not present in library '<i>library name</i>'. Explanation: The specified volume is not present in the given library, so it cannot be labeled. System Action: Labeling activity continues for other volumes. User Response: Insert the volume into the library, then retry the operation.
ANR9745E	Only one trace argument is allowed. Explanation: More than one trace argument has been encountered, but only one is allowed. System Action: The program is halted. User Response: Retry the program, specifying at most one trace argument.
ANR9746E	Unable to open trace file '<i>file name</i>'. Explanation: An error occurs while opening the specified file for writing trace data. System Action: The program is halted. User Response: Retry the program, specifying a valid file name for the trace file.

ANR9747I Unable to write to trace file.

Explanation: An error occurs while writing data to the trace file.

System Action: The program continues, but trace data may be lost.

User Response: Make sure the disk that contains the trace file is not full or defective and then retry the operation.

ANR9748I Insert a new volume into slot with element number 'slot element address' of library 'library device name', then enter the name (1-maximum length characters) to be used for its label; or just press ENTER to quit this program:

Explanation: The program prompts for a new volume to be inserted into the given slot with the specified element number so that a label can be written to it. For the slot and element number diagram of your library, refer to the documentation provided with the current ptf level or refer to the *Administrator's Guide* for your release and platform.

System Action: The program waits for the volume name to be entered.

User Response: Insert a new volume, close the library access door, type a volume name for it, and press ENTER; or, if you want to quit the program, press ENTER without entering a volume name.

ANR9749I Insert a new volume into slot with element number 'slot element address' of library 'library device name' with side A facing up, then enter the name (1-maximum length characters) to be used for its label; or just press ENTER to quit this program:

Explanation: The program prompts for a new volume to be inserted into the slot with the specified element number so that a label can be written to it. For the slot and element number diagram of your library, refer to the documentation provided with the current ptf level or refer to the *Installing the Server and Administrative Client* manual for your release and platform.

System Action: The program waits for the volume name to be entered.

User Response: Insert side A of a new volume, close the library access door, type a volume name for it, and press ENTER; or, if you want to quit the program, press ENTER without entering a volume name.

ANR9750I Remove the volume from slot with element number 'slot element address' in library 'library device name', then press ENTER.

Explanation: All activity associated with the volume in the given slot with the specified element number is complete, so it should be removed. For the slot and

element number diagram of your library, refer to the documentation provided with the current ptf level or refer to the *Administrator's Guide* for your release and platform.

System Action: The program waits until the ENTER key is pressed.

User Response: Remove the volume from the specified slot, close the library access door, and press ENTER.

ANR9751E **The volume in drive '*drive name*' is not compatible with the drive.**

Explanation: The volume cannot be used in the drive. It is most likely an outdated media type that the drive cannot write.

System Action: The volume is not labeled.

User Response: Remove the volume; replace it with a different type known to work in the drive, or press ENTER to end the program.

ANR9752E **Could not access drive '*drive name*'. It may be in use by another application.**

Explanation: The specified drive cannot be accessed.

System Action: The program is halted.

User Response: Ensure that the drive name is correct and the device is not in use by another application, then retry the operation.

ANR9753E **Skipping slot element address '*slot element address*', which has no barcode.**

Explanation: The cartridge in the indicated slot will not be labeled, since it does not have a valid barcode.

System Action: The program attempts to label the next cartridge.

User Response: Examine the cartridge to see if it has a barcode. Add a barcode if required.

ANR9754I **Barcode of element *slot element address*, '*hardware barcode string*', exceeds *maximum length* characters in length.**

Explanation: A barcode is encountered that was longer than a valid volume name.

System Action: The barcode is not considered valid and will not be used for the server process.

User Response: Replace the cartridge's barcode with one that is supported by the library and whose number of characters does not exceed the maximum length.

ANR9755E	There are no barcodes available. Explanation: The hardware did not return any valid barcode data for any cartridge. System Action: The program terminates without attempting to label any cartridges. User Response: Make sure the hardware supports barcodes, or that barcode labels have been affixed to the cartridges.
ANR9756I	No volumes were found. Explanation: No volumes are found in the library. This means that in a 349x ATL, no volumes were found in the insert category (xFF00), and that in a SCSI autochanger, no cartridges were loaded into the library. System Action: The program terminates normally. User Response: Insert cartridges into the library. For a 349x ATL, this may involve changing the category of previously inserted cartridges to be relabeled.
ANR9757E	ACS drive id <i>ACS drive id</i> is not valid for drive '<i>drive name</i>'. Explanation: The specified ACS drive id does not represent a valid drive location in the associated library. System Action: The program is halted. User Response: Retry the operation, specifying a valid drive id for the drive.
ANR9758W	Error mounting volume '<i>volume name</i>'. Explanation: An error occurs while mounting the volume to the drive. This may not be an error since the volume or drive maybe in use or locked in a shared environment. System Action: The specified volume is bypassed for labeling. User Response: Ensure that the volume is not locked or in use if label is required.
ANR9759E	unsuccessful ACSAPI response, status=<i>acs status</i>. Explanation: The ACSLS library api responded with an unsuccessful status as indicated. System Action: Depends on the ACS api for labeling, the process may continue as the error may not be a problem. User Response: If the label process terminates, contact your ACS System Administrator and perform ACSLS library problem determination.

ANR9760I	<p>Wait and monitor the ACSSA console message to remove volume <i>volume id</i> from CAP.</p> <p>Explanation: The specified volume is about to put into CAP for removal. Monitor the ACSSA console and removed the volume after it has been placed into the CAP as indicated in the ACSSA message.</p> <p>System Action: None.</p> <p>User Response: Monitor the ACSSA console and wait.</p>
-----------------	--

ANR9773E	<p>Hardware configuration error in library <i>library name</i>: number of drives drives, number of storage slots storage slots.</p> <p>Explanation: The library device returned a count of zero for either the drives or the slots. The drives may have not yet been configured to the operating system, or to the library. The library must have at least one drive and multiple slots when properly configured in order to be defined to the server.</p> <p>System Action: The operation fails.</p> <p>User Response: Configure the drives to the operating system, and reinitialize the library.</p>
-----------------	---

ANR9774W	<p>Volume <i>volume name</i> should be freed of data as soon as possible.</p> <p>Explanation: The server has received an indication from the 3995 that the indicated volume is out of spare sectors for re-allocation. Spare sectors are reserved to take the place of sectors that experience I/O problems. The re-allocation can take place on either a read or write.</p> <p>System Action: The indicated volume is marked read-only by the server.</p> <p>User Response: A MOVE DATA command should be used as soon as possible to move the data from this cartridge to other cartridges in the library. This cartridge should NOT be marked read-write again through the UPDATE VOLUME command.</p>
-----------------	--

ANR9775E	<p>Error while writing on volume <i>volume name</i> (RC=<i>internal code</i>).</p> <p>Explanation: An I/O error has occurred while writing on the specified volume.</p> <p>System Action: The operation fails.</p> <p>User Response: Ensure that the 3995 volume is accessible and that the media is usable. Diagnostics may have to be run on the 3995 with the specified volume. If the problem persists, contact your service representative and provide the internal code values from this message. The internal code is returned to the server from the OS/2 operating system.</p>
-----------------	---

-
- ANR9776I** **File *file name* is being erased and deleted. Data erasure may take several minutes.**
- Explanation:** A file is being deleted from an optical library cartridge. The file is deleted when a LAN3995 device class volume is deleted. File deletion includes erasure of data. The erasure process can take several minutes to complete.
- System Action:** The operation continues.
- User Response:** None.
-
- ANR9778E** **Unable to establish a communication session with either the primary library manager or the secondary library manager.**
- Explanation:** The requested operation required that a communication session be established with a library manager. Both library managers were found to be unavailable at this time.
- System Action:** None.
- User Response:** Verify the primary or secondary library manager is up and operational. Once the server is verified to be operational, retry the operation.
-
- ANR9779E** **Unable to acquire a drive for volume *volume name* from the library manager.**
- Explanation:** The library manager was unable to assign a drive to the library client. There are a couple of situations that can cause this error.
- All drives are currently allocated to other library clients or the library manager.
 - The request for a specific drive can not be satisfied. This can occur if a drive on the library client side is marked offline or is currently busy with another process.
 - A communication error occurred during the request to mount a volume.
 - The requested volume was not present in the library manager's inventory
- System Action:** None.
- User Response:** Verify that a drive is available on the library manager side and the drive is currently not busy or marked offline on the library client. Set the mount retention on the device class on the library manager and the library clients to a lower value. Using a lower mount retention value can free up drives.
-
- ANR9780E** **Volume *volume name* is not mounted in drive from the library *drive name*.**
- Explanation:** A communication error occurred while dismount the volume.
- System Action:** None.
-

User Response: Verify the library manager is up and operational. Verify that the library manager and library client can communicate using command routing.

ANR9781E **Volser *volume name* was not found to be mounted on the library manager.**

Explanation: According to the library manager the requested volume is no longer mounted. The can occurred if the library manager forced the volume to be dismounted because of a communication error.

System Action: None.

User Response: Verify that the volume has been dismounted.

ANR9782E **Primary Library Manager *primary library manager name* is NOT defined as a server.**

Explanation: The primary library manager server has not be defined to this server.

System Action: None.

User Response: Define the server to this server using the DEFINE SERVER command.

ANR9783E **Primary Library Manager does not contain a valid value.**

Explanation: The primary library manager server has not be defined to this server.

System Action: None.

User Response: Define the server to this server using the DEFINE SERVER command.

ANR9784E **Secondary Library Manager *secondary library manager name* is NOT defined as a server.**

Explanation: The secondary library manager server name has not be defined to this server.

System Action: None.

User Response: Define the server to this server using the DEFINE SERVER command.

ANR9785E **Drive *drive name*, is not defined on the library manager.**

Explanation: A drive is being defined that does not exist or is being managed by the library manager.

System Action: None.

User Response: Verify drive name with the library manager.

ANR9786E **A communication error has occurred. Operation ending.**

Explanation: A communication error occurred.

System Action: None.

User Response: Verify the library manager is up and operational. Verify that the library manager and library client can communicate using command routing.

ANR9787E **The owner name specified is not defined to this server.**

Explanation: A command was issues specifying a ownership of a volume. The name of the owner given was not defined to this server.

System Action: None.

User Response: Define the server to this server using the DEFINE SERVER command.

ANR9788E **Command: Library *library name* is not defined - the primary library manager not defined.**

Explanation: The designated library is not defined because the primary library manager is not defined as a server to this server.

System Action: The command is not processed.

User Response: Define the server to this server using the DEFINE SERVER command.

ANR9789E **Command: Library *library name* is not defined - the secondary library manager not defined.**

Explanation: The designated library is not defined because the secondary library manager is not defined as a server to this server.

System Action: The command is not processed.

User Response: Define the server to this server using the DEFINE SERVER command.

ANR9790W **Request to mount volume *Volume Name* for library client *Library Client Name* failed.**

Explanation: A library client requested a volume to be mount by the library manager, which inturn failed.

System Action: None.

User Response: Verify the status of all drives are currently online and not in use by other library clients or the library manager itself. Free up drive resources as needed.

ANR9791I **Volume** *Volume Name* **in library** *Library Name* **ownership is changing from**
Current volume owner to New Volume owner.

Explanation: A library client requested a volume to be mount by the library manager, which inturn failed.

System Action: None.

User Response: Verify the status of all drives are currently online and not in use by other library clients or the library manager itself. Free up drive resources as needed.

ANR9792E **Library** *Library Name* **on library manager** *Library Manager Name* **is currently**
not being shared.

Explanation: A define library command attempted to define a shared library that was not being shared by the library manager.

System Action: None.

User Response: Verify the library on the library manager is being shared. If the library is not being shared, update the library shared status to yes.

ANR9793I *process name* **in library** *library name-* **CANCEL PENDING.**

Explanation: In response to a QUERY PROCESS command, this message displays the status for a process on the server. The command was started, but the process was canceled by an administrator.

System Action: The background process operation is being terminated.

User Response: None.

ANR9794E **Unable to load the RSM dynamic link library** *dynamic link library.*

Explanation: The server module is unable to load the indicated dynamic link library.

System Action: Server operation continues, but the function that requires the dynamic link library will be inoperative.

User Response: Ensure that the installed Windows version supports RSM. Ensure that the Removable Storage Manager is installed and the system DLL is accessible.

ANR9801I (Windows NT)**ANR9801: Ready for operations.**

Explanation: The device driver has successfully initialized and is ready to accept requests from the server.

System Action: Processing continues.

User Response: None.

ANR9803W (Windows NT)**ANR9803: ERROR! Insufficient free memory to initialize driver.**

Explanation: The server device driver is unable to initialize due to an inability to acquire dynamic storage.

System Action: Processing continues. The device driver is not available to process requests from the server.

User Response: For minimum storage requirements, refer to *Licensed Program Specifications/2*. You must have sufficient memory in your system to initialize Windows NT and the device drivers you want to use.

ANR9810I (Windows NT)**ANR9810: SCSI Tape Device Driver Initializing...**

Explanation: The server SCSI tape device driver has been invoked by the system and is initializing.

System Action: Processing continues.

User Response: None.

ANR9820I (Windows NT)**ANR9820: SCSI Autochanger Device Driver Initializing...**

Explanation: The server SCSI automatic changer device driver has been invoked by the system and is initializing.

System Action: Processing continues.

User Response: None.

ANR9900W (AIX)

Attention -- Accounting records could not be written to the file: *filespec*.

Explanation: The server detects an error while trying to open the accounting file.

System Action: Server processing continues.

User Response: Ensure that there is sufficient disk space and that the accounting file is not marked as read-only.

ANR9900W (AS/400)

Attention -- Accounting file could not be opened for write: *filespec*.

Explanation: ADSM detects an error while trying to open the accounting file.

System Action: Server processing continues.

User Response: Ensure that sufficient disk space is available and that the accounting file is not marked as read-only.

ANR9900W (HP-UX)

Attention -- Accounting records could not be written to the file: *file name*.

Explanation: The server detects an error while trying to open the accounting file.

System Action: Server processing continues, but no accounting records are written.

User Response: Ensure that there is sufficient disk space and that the accounting file is not marked as read-only.

ANR9900W (Solaris)

Attention -- Accounting records could not be written to the file: *file name*.

Explanation: The server detects an error while trying to open the accounting file.

System Action: Server processing continues, but no accounting records are written.

User Response: Ensure that there is sufficient disk space and that the accounting file is not marked as read-only.

ANR9900W (Windows NT)

Attention -- Accounting records could not be written to the file: *filespec*.

Explanation: The server detects an error while trying to open the accounting file.

System Action: Server processing continues.

User Response: Ensure that there is sufficient disk space and that the accounting file is not marked as read-only.

ANR9901W (AIX)

Attention -- Accounting records could not be written to the file: *filespec*.

Explanation: The server detects an error while trying to write an accounting record.

System Action: Server processing continues.

User Response: Ensure that there is sufficient disk space and that the accounting file is not marked as read-only.

ANR9901W (AS/400)

Attention -- Accounting records could not be written to the file: *filespec*.

Explanation: ADSM detects an error while trying to write an accounting record.

System Action: Server processing continues.

User Response: Ensure that sufficient disk space is available and that the accounting file is not marked as read-only.

ANR9901W (HP-UX)

Attention -- Accounting records could not be written to the file: *file name*.

Explanation: The server detects an error while trying to write an accounting record.

System Action: Server processing continues.

User Response: Ensure that there is sufficient disk space and that the accounting file is not marked as read-only.

ANR9901W (Solaris)

Attention -- Accounting records could not be written to the file: *file name*.

Explanation: The server detects an error while trying to write an accounting record.

System Action: Server processing continues.

User Response: Ensure that there is sufficient disk space and that the accounting file is not marked as read-only.

ANR9901W (Windows NT)

Attention -- Accounting records could not be written to the file: *filespec*.

Explanation: The server detects an error while trying to write an accounting record.

System Action: Server processing continues.

User Response: Ensure that there is sufficient disk space and that the accounting file is not marked as read-only.

ANR9902W (AIX)

Attention -- Accounting records could not be written to the file: *filespec*.

Explanation: The server detects an error while trying to close the accounting file.

System Action: Server processing continues.

User Response: Ensure that sufficient disk space is available and that the accounting file is not marked as read-only.

ANR9902W (AS/400)

Attention -- Cannot close accounting file: *filespec*. **Records not written to file.**

Explanation: ADSM detects an error while trying to close the accounting file.

System Action: Server processing continues.

User Response: Ensure that sufficient disk space is available and that the accounting file is not marked as read-only.

ANR9902W (HP-UX)

Attention -- Accounting records could not be written to the file: *file name*.

Explanation: The server detects an error while trying to close the accounting file.

System Action: Server processing continues.

User Response: Ensure that there is sufficient disk space and that the accounting file is not marked as read-only.

ANR9902W (Solaris)

Attention -- Accounting records could not be written to the file: *file name*.

Explanation: The server detects an error while trying to close the accounting file.

System Action: Server processing continues.

User Response: Ensure that there is sufficient disk space and that the accounting file is not marked as read-only.

ANR9902W (Windows NT)

Attention -- Accounting records could not be written to the file: *filespec*.

Explanation: The server detects an error while trying to close the accounting file.

System Action: Server processing continues.

User Response: Ensure that there is sufficient disk space and that the accounting file is not marked as read-only.

ANR9950W (AS/400)

Attention -- License option could not be written to the file: *filespec*.

Explanation: ADSM detects an error while trying to write to the options file.

System Action: Server processing continues.

User Response: Ensure that sufficient disk space is available and that the options file is not marked as read-only.

ANR9950W (S/390)

Warning -- License option could not be written to the file: *filespec*.

Explanation: The server detects an error while trying to write to the options file.

System Action: Server processing continues.

User Response: Ensure that sufficient disk space is available and that the options file is not marked as read-only.

ANR9950W (Windows NT)

Attention -- License option could not be written to the file: *filespec*.

Explanation: The server detects an error while trying to write to the options file.

System Action: Server processing continues.

User Response: Ensure that there is sufficient disk space and that the options file is not marked as read-only.

ANR9951W (S/390)

Warning -- License option could not be written to the file: *filespec*.

Explanation: The server detects an error while trying to write to the options file.

System Action: Server processing continues.

User Response: Ensure that sufficient disk space is available and that the options file is not marked as read-only.

ANR9951W (Windows NT)

Attention -- License option could not be written to the file: *filespec*.

Explanation: The server detects an error while trying to close the options file.

System Action: Server processing continues.

User Response: Ensure that there is sufficient disk space and that the options file is not marked as read-only.

ANR9952E (AS/400)

Command: Invalid value specified for licensed storage capacity - value.

Explanation: The specified command has been issued with an invalid value.

System Action: Server operation continues, but the command is not processed.

User Response: Issue the command and specify a valid value.

ANR9952E (S/390)

Command: Invalid value specified for licensed storage capacity - value.

Explanation: The specified command has been issued with an invalid value.

System Action: Server operation continues, but the command is not processed.

User Response: Reissue the command using a valid value.

ANR9952E (Windows NT)

Command: Invalid value specified for licensed storage capacity - value.

Explanation: The specified command has been issued with an invalid value.

System Action: Server operation continues, but the command is not processed.

User Response: Issue the command using a valid value.

ANR9953E (AS/400)

Command: Invalid value specified for number of licensed clients - value.

Explanation: The specified command has been issued with an invalid value.

System Action: Server operation continues, but the command is not processed.

User Response: Issue the command and specify a valid value.

ANR9953E (S/390)

Command: Invalid value specified for number of licensed clients - value.

Explanation: The specified command has been issued with an invalid value.

System Action: Server operation continues, but the command is not processed.

User Response: Reissue the command using a valid value.

ANR9953E (Windows NT)

Command: Invalid value specified for number of licensed clients - *value*.

Explanation: The specified command has been issued with an invalid value.

System Action: Server operation continues, but the command is not processed.

User Response: Issue the command using a valid value.

ANR9954E (AS/400)

REGISTER LICENSE is not a valid command for this release.

Explanation: The REGISTER LICENSE command does not apply to the V3R1 operating system.

System Action: Server operation continues, but the command is not processed.

User Response: Add additional licenses by using the ADDLICKEY command.

ANR9954S (S/390)

The server is not licensed for use on this system.

Explanation: DFSMS/MVS Feature server is not defined as licensed for this system to use in SYS1.PARMLIB member IGDDFPKG.

System Action: The server operation ends.

User Response: If you are licensed to use the server, update the IGDDFPKG member in SYS1.PARMLIB to set the correct value that enables the server. Either start task DFSMSPKG or reIPL.

ANR9955I (AS/400)

An EVALUATION LICENSE for *number of clients* clients will expire on *expiration date*.

Explanation: The ADSM/400 Server is distributed with an evaluation license for client node connections. If no formal license is found for server and the evaluation period has not lapsed, this message is displayed each time the server checks the server license terms.

System Action: The number of client connections specified are used to determine if the server is in compliance with license terms.

User Response: If you are interested in using the ADSM server, please contact your service representative to obtain formal licenses for the server before the evaluation period has elapsed. Without formal licenses, clients cannot back up or archive files, and new clients cannot be defined after the expiration date shown.

ANR9955W (Windows NT)

Unable to load dynamic link library *dynamic link library.*

Explanation: The server module is unable to load the indicated dynamic link library.

System Action: Server operation continues, but the function that requires the dynamic link library will be inoperative.

User Response: Ensure that the dynamic link library directories are accessible. If this is an evaluation copy of the server, then this message is normal for the DSMREG library, since the library is only provided with purchased NT servers. The server licensing will assume "Try and Buy" mode with sample licensed options for a period of time.

ANR9956I (AS/400)

An EVALUATION LICENSE has expired.

Explanation: The ADSM/400 Server is distributed with an evaluation license. The evaluation license has expired.

System Action: Server continues with the default license terms.

User Response: If you are interested in using the ADSM server, please contact your service representative to obtain formal licenses. Without formal licenses, clients cannot back up or archive files, and new clients cannot be defined after the expiration date shown.

ANR9956E (Windows NT)

Unable to load procedure address from dynamic link library *dynamic link library.*

Explanation: The server module is unable to load the address of a routine in the indicated dynamic link library.

System Action: Server operation continues, but the function that requires the dynamic link library will be inoperative.

User Response: Ensure that the dynamic link library directories are accessible. If the problem persists, contact your service representative.

ANR9957E (AS/400)

License object validation failed.

Explanation: License object failed the validation.

System Action: Server operation continues.

User Response: Contact your service representative if you have valid formal licenses.

ANR9957W (Windows NT)

One or more EVALUATION LICENSES will expire on *expiration date*.

Explanation: Although you are running with a purchased version of the server, there are one or more licenses registered that will expire on the date specified. This is usually the case when you have been using evaluation licenses prior to purchasing the server for NT.

System Action: Server operation continues.

User Response: Halt the server and erase the nodelock file in the server startup directory. After restarting the server, use the REGISTER LICENSE command to define the licensed features that you have purchased with your NT server. These licenses should NOT have an expiration date, so this message should not appear after re-registering the proper licenses. If this message persists, contact your service representative.

ANR9958I (AS/400)

An EVALUATION LICENSE for all device features will expire on *expiration date*.

Explanation: The ADSM/400 Server is distributed with an evaluation license for device support modules. If no formal license is found for server and the evaluation period has not lapsed, this message is displayed each time the server checks the server license terms.

System Action: The device support module specified is used to determine if the server is in compliance with license terms with respect to the devices in use by the server.

User Response: If you are interested in using the ADSM server, please contact your service representative to obtain formal licenses for the server before the evaluation period has elapsed. Without formal licenses, certain devices will not be accessible by the ADSM server after the expiration date shown.

ANR9958W (Windows NT)

Node entry *node name* **was removed from this server's definition in Active Directory.**

Explanation: In response to a REMOVE NODE command, the requested backup-archive node has been removed from this server's definition in Active Directory.

System Action: None.

User Response: None.

ANR9959I (AS/400)

An EVALUATION LICENSE for support of space managed clients will expire on *expiration date*.

Explanation: The ADSM/400 Server is distributed with an evaluation license for space management client support. If no formal license is found for server and the evaluation period has not lapsed, this message is displayed each time the server checks the server license terms.

System Action: The server space-managed client support license allows clients to utilize the server for storing files migrated during space management. The server checks the license when files are migrated to the server from client nodes to ensure that the server is licensed to perform this function.

User Response: If you are interested in using the ADSM server, please contact your service representative to obtain formal licenses for the server before the evaluation period has elapsed. Without formal licenses, the server will not support space managed clients after the expiration date shown.

ANR9959W (Windows NT)

Node entry *node name* was not removed from this server's definition in Active Directory.

Explanation: In response to a REMOVE NODE command, the requested backup-archive node has not been removed from this server's definition in Active Directory.

System Action: None.

User Response: To remove a node entry in the Active Directory, the option "adunregister" has to be set to "yes" in the server options file. A domain controller must also be available. The Active Directory Configuration wizard can be used to manually update the server definition.

ANR9960E (AS/400)

License registration is not supported on this server.

Explanation: The REGISTER LICENSE command fails because the license authorization is not found.

System Action: Server operation continues, but the command is not processed. Licensing terms are not changed by the command.

User Response: The license authorization file is required for formal licensing for the server. If you have purchased the ADSM server, contact your service representative for assistance in resolving this problem.

ANR9960W (Windows NT)

Node entry *node name* has been added to this server's definition in Active Directory.

Explanation: The requested backup-archive node entry has been added to this server's definition in Active Directory in response to a REGISTER NODE command.

System Action: None.

User Response: None.

ANR9961W (Windows NT)

Node entry *node name* has not been added to this server's definition in Active Directory.

Explanation: The requested backup-archive node entry has not been added to this server's definition in Active Directory in response to a REGISTER NODE command.

System Action: None.

User Response: To register a node entry in the Active Directory, the option "adregister" has to be set to "yes" in the server options file. A domain controller must also be available. The Active Directory Configuration wizard can be used to manually update the server definition.

ANR9962W (Windows NT)

Node entry *node name* was renamed in this server's definition in Active Directory.

Explanation: In response to a RENAME NODE command, the requested backup-archive node has been renamed to the new name shown.

System Action: None.

User Response: None.

ANR9963W (Windows NT)

Node entry *node name* was not renamed in this server's definition in Active Directory.

Explanation: In response to a RENAME NODE command, the requested backup-archive node has not been renamed.

System Action: None.

User Response: To Rename Node in the Active Directory, the options "adregister" and "adunregister" have to be set to "yes" in the server options file. A domain

controller must also be available. The Active Directory Configuration wizard can be used to manually update the server definition.

ANR9964W (Windows NT)

Failed to access Active Directory. RC: *return code*

Explanation: Could not communicate with an Active Directory server.

System Action: Server operation continues.

User Response: Try using the option "adsetdc" in the server options file to explicitly provide the TCP/IP address of the domain controller where Active Directory is located.

ANR9965W (Windows NT)

Could not create the initial node list in Active Directory for this server.

Explanation: At startup the server's registered nodes could not be added to the server definition in Active Directory

System Action: Server operation continues.

User Response: Try using the option "adsetdc" in the server options file to explicitly provide the TCP/IP address of the domain controller where Active Directory is located.

ANR9966I (Windows NT)

NodeName *node name.*

Explanation: The NodeName is registered in Active Directory.

System Action: Server operation continues.

User Response: None.

ANR9967I (Windows NT)

Server *server name* **was defined in Active Directory.**

Explanation: The server is registered in Active Directory.

System Action: None.

User Response: None.

ANR9999D (*component*)(*code*):(*text*)

Explanation: This message carries diagnostic text relating to a server process or algorithm. This information is intended for reporting processing exceptions and other non-standard situations that occur on the ADSM server. The (component),

(code), and (text) will vary depending upon the cause of the message and the server process or algorithm that issues the message.

System Action: Server processing may or may not continue depending upon the cause of this message.

User Response: Examine error messages that may have been displayed before and/or after this message and correct any problems, if possible. If the cause of this message can not be determined or resolved, contact your support representative. If you contact your support representative, the entire text of this message should be reported.

4

Client Events Logged to Server (ANE4000—4999)

-
- ANE4000E** **Error processing 'filesystem-name': file space does not exist**
Explanation: The specified file space (domain) is incorrect or does not exist on the workstation.
System Action: Processing stopped.
User Response: Retry the operation specifying an existing domain (drive letter or file system name).
-
- ANE4001E** **Error processing 'filesystem-name': file space not known to server**
Explanation: The number defining the correspondence between drive letter or file (domain name) and volume label is not known to the server.
System Action: Processing stopped.
User Response: Report the program error to your service representative.
-
- ANE4002E** **Error processing 'filesystem-name': volume label does not exist**
Explanation: The selected drive does not have a label.
System Action: TSM is unable to do the requested operation without a drive or label entered.
User Response: If the drive is a floppy drive, place a disk with a volume label in it and retry the operation. If the disk is a hard drive, ensure the drive has a volume label, and retry the operation.
-
- ANE4003E** **Error processing 'filesystem-name': duplicate volume label encountered**
Explanation: The selected drive has a duplicate volume label. Because TSM uses the volume label to keep track of backup/archive information, it cannot back up or archive files from a drive with a duplicate volume label.
System Action: TSM cannot select the drive.
User Response: If the volume needs to be available to the system, exit TSM, and assign a volume label to the drive. Restart TSM and retry the operation.
-

ANE4004E	<p>Error processing '<i>filesystem namepath-namefile-name</i>': destination file or directory is write locked</p> <p>Explanation: The file or directory being restored or retrieved from the server cannot be written to because the destination is write locked. Another operation might have the file open and will not allow it to be updated.</p> <p>System Action: File skipped.</p> <p>User Response: Either determine which operation has the file write locked, or restore the file to another name or location.</p>
<hr/>	
ANE4005E	<p>Error processing '<i>filesystem namepath-namefile-name</i>': file not found</p> <p>Explanation: The file being processed for backup, archive or migrate no longer exists on the client. Another process deletes the file before it can be backed up, archived or migrated by TSM.</p> <p>System Action: File skipped.</p> <p>User Response: None.</p>
<hr/>	
ANE4006E	<p>Error processing '<i>filesystem namepath-namefile-name</i>': directory path not found</p> <p>Explanation: You specified an incorrect directory path.</p> <p>System Action: Processing stopped.</p> <p>User Response: Correct the syntax specified on the call and retry the operation.</p>
<hr/>	
ANE4007E	<p>Error processing '<i>filesystem namepath-namefile-name</i>': access to the object is denied</p> <p>Explanation: Access to the specified file or directory is denied. You tried to read from or write to a file and you do not have access permission for either the file or the directory.</p> <p>System Action: Processing stopped.</p> <p>User Response: Ensure that you specified the correct file or directory name, correct the permissions, or specify a new location.</p>
<hr/>	
ANE4008E	<p>Error processing '<i>filesystem namepath-namefile-name</i>': file is temporarily unavailable</p> <p>Explanation: File is temporarily unavailable.</p> <p>System Action: File skipped.</p> <p>User Response: Check and see if file is locked by other process. If not, retry the command.</p>
<hr/>	
ANE4009E	<p>Error processing '<i>filesystem namepath-namefile-name</i>': disk full condition</p> <p>Explanation: No more files can be restored or retrieved because the destination disk is full.</p> <p>System Action: Processing stopped.</p> <p>User Response: Free up disk space, or restore or retrieve the file to another disk.</p>

ANE4010E	Error processing 'filesystem namepath-namefile-name': stale NFS handle Explanation: An NFS file system becomes stale. System Action: File system skipped. User Response: Check the NFS mounted filesystem.
ANE4011E	Error processing 'filesystem namepath-namefile-name': no file handles available Explanation: All file handles for your system are currently in use. No more are available. System Action: Processing stopped. User Response: Either free some file handles by ending other processes, or modify your system setup to allow for more files to be open at the same time.
ANE4012E	Error processing 'filesystem namepath-namefile-name': file already exists Explanation: The file being restored or retrieved exists. System Action: File is replaced or skipped depending on client options. User Response: None.
ANE4013E	Error processing 'filesystem namepath-namefile-name': invalid file handle Explanation: An internal system error occurred. A file operation failed because an invalid file handle was passed. System Action: Processing stopped. User Response: Report the problem to your system administrator, and then retry the operation.
ANE4014E	Error processing 'filesystem namepath-namefile-name': unknown system error (error-code) encountered. Program ending. Explanation: An unknown and unexpected <i>error-code</i> occurred within the client program. This is a programming failure and the client program ends. System Action: Processing stopped. User Response: Retry the operation. If the problem continues, see your administrator.
ANE4015E	Error processing 'filesystem namepath-namefile-name': unexpected error (error-code) encountered Explanation: An unexpected error occurred. This might be a low-level system or communication error that TSM cannot handle or recover from. System Action: Processing stopped. User Response: Retry the operation. If the problem continues, determine where the problem exists. See your system administrator for further help.

ANE4016E **Error processing 'filesystemnamepath-namefile-name': file is being executed; write permission denied**
Explanation: The current file cannot be opened to write to because it is currently being run by another operation.
System Action: File skipped.
User Response: Stop the operation that is running the file and retry the operation, or restore or retrieve the file to a different name or directory.

ANE4017E **Error processing 'filesystemnamepath-namefile-name': too many symbolic links were detected while resolving name**
Explanation: While trying to resolve the file name, too many symbolic links were found.
System Action: File skipped.
User Response: Ensure that you do not have a looping symbolic link for the file.

ANE4018E **Error processing 'filesystemnamepath-namefile-name': file name too long**
Explanation: The file name specified is too long to be handled by TSM.
System Action: File is skipped.
User Response: See the appropriate *Using the Backup-Archive Client* book for the particular operating system, for the file names that are handled by TSM.

ANE4019E **Error processing 'filesystemnamepath-namefile-name': file system is locked by system**
Explanation: File system cannot be accessed because it is locked by the system.
System Action: TSM cannot complete the operation.
User Response: See your system administrator.

ANE4020E **Error processing 'filesystemnamepath-namefile-name': format unknown**
Explanation: TSM tried to restore or retrieve a file, but it had an unknown format.
System Action: File skipped.
User Response: See your system administrator.

ANE4021E **Error processing 'filesystemnamepath-namefile-name': file system not ready**
Explanation: The file system/drive was not ready for access.
System Action: Processing stopped.
User Response: Ensure that the drive is available to TSM, and then retry the operation.

ANE4022E **Error processing 'filesystemnamepath-namefile-name': file system is invalid**
Explanation: The drive was not available for access. A directory exists that does not have either a '.' or '..' entry.
System Action: Processing stopped.

User Response: Ensure that the drive is operational, and then retry the operation. If unsuccessful, have your service representative check the error log.

ANE4023E **Error processing 'filesystem namepath-namefile-name': file input/output error**
Explanation: An error was found while reading from or writing to the file.
System Action: File skipped.
User Response: Check your system to ensure that it is operating properly. For OS/2, run CHKDSK /F for the failing drive which can be found in dsmerror.log.

ANE4024E **Error processing 'filesystem namepath-namefile-name': file write error**
Explanation: An error was found while writing to the file.
System Action: File skipped.
User Response: Check your system to ensure that it is operating properly.

ANE4025E **Error processing 'filesystem namepath-namefile-name': file exceeds user or system file limit**
Explanation: A file being restored or retrieved exceeds system set limits for this user.
System Action: File skipped.
User Response: Ensure that the system limits are set properly.

ANE4026W **Error processing 'filesystem namepath-namefile-name': size of 'file-size' exceeded the maximum file size limit on your system**
Explanation: You tried to restore or retrieve a file that has exceeded the maximum file size limitation on your system.
System Action: TSM cannot restore or retrieve the file.
User Response: Restore or retrieve this file on a system that supports the file size. See your system administrator.

ANE4027S **Error processing 'filesystem namepath-namefile-name': internal program message 'value' encountered**
Explanation: An unexpected catastrophic program failure occurred, indicated by *value*.
System Action: Processing stopped.
User Response: Retry the operation. If the problem continues, see your system administrator or service representative.

ANE4028E **Error processing 'filesystem namepath-namefile-name': cannot create file/directory entry**
Explanation: The directory path for files being restored or retrieved cannot be created.
System Action: File skipped.

User Response: Ensure that you have the proper authorization to create the directory for file being restored or retrieved.

ANE4029E **Error processing '*filespace namepath-namefile-name*': unable to build a directory path; a file exists with the same name as a directory**
Explanation: TSM tried to create a directory path, but is unable to because a file exists that has the same name as a directory.
System Action: Processing stopped.
User Response: Remove the file that has the same name as the directory. Refer to the last restore/retrieve operation and check all directories along the path.

ANE4030E **Error processing '*filespace namepath-namefile-name*': disk space limit for this process reached**
Explanation: The disk space allocated for the client owner is full.
System Action: Processing stopped.
User Response: Free up disk space and retry the restore or retrieve operation.

ANE4031E **Error processing '*filespace namepath-namefile-name*': destination directory path length exceeds system maximum**
Explanation: The path name specified plus the path name in the restored file name combine to create a name whose length exceeds the system maximum.
System Action: Processing stopped.
User Response: Specify a destination path that, when combined, is less than the system maximum.

ANE4032E **Error processing '*filespace namepath-namefile-name*': file is not compressed.**
Explanation: A file that was flagged as compressed was not compressed, and the system failed.
System Action: Processing stopped.
User Response: See your system administrator to report this problem. This error is a system failure.

ANE4033E **Error processing '*filespace namepath-namefile-name*': file compressed on a different client machine that has more memory**
Explanation: You are trying to restore a file that was backed up and compressed on another client workstation that had more memory than your client workstation. You cannot restore this file. When the file is restored, it is expanded and your workstation does not have enough memory.
System Action: TSM canceled the operation.
User Response: Obtain a machine with more memory and retry the operation.

-
- ANE4034E** **Error processing 'filespace namepath-namefile-name': unknown system error**
Explanation: An unknown error occurred. This might be a low-level system or communication error that TSM cannot handle or recover from.
System Action: Processing stopped.
User Response: Retry the operation. If the problem continues, determine where the problem exists. See your system administrator for further help.
-
- ANE4035W** **Error processing 'filespace namepath-namefile-name': file currently unavailable on server.**
Explanation: You tried to restore or retrieve a file that is currently not available from the server.
System Action: TSM cannot restore or retrieve the file.
User Response: See your system administrator to determine why the file is unavailable and then try your operation again.
-
- ANE4037E** **File 'file-namefile-namefile-name' changed during processing. File skipped.**
Explanation: The specified *file-name* was skipped during backup, archive, or migrate because it was changing during the attempt to process it.
System Action: TSM skipped the file.
User Response: If you want the file backed up, archived, or migrated retry the operation. If it fails, determine why the file is being changed. For more information on backing up, archiving, or migrating changing files, see your system administrator.
-
- ANE4040E** **Error processing 'filespace namepath-namefile-name': file system filespace name has exceeded its space management quota.**
Explanation: TSM detects that the file system has exceeded its quota. No more data can be migrated out of this file system.
System Action: TSM will not migrate files from this file system.
User Response: Recall some files, or ask the system administrator to increase the quota for this file system.
-
- ANE4041W** **Error processing 'filespace namepath-namefile-name': Out of free space or inodes in file system filespace name to migrate or recall.**
Explanation: The file system is full. No more free space or free inodes are available to be allocated for the transaction file that is needed when a file is being migrated or recalled.
System Action: TSM terminates the current operation for this file system.
User Response: Remove some files in the file system, and then run reconciliation. Retry the operation.
-

ANE4900W **Schedule '*schedule name*' has opened a new session with the server.**
Explanation: A scheduled event ended due to a connection failure. The scheduled event had to be restarted outside of its normal start-up window to continue the operation.
System Action: Be advised that there are multiple sessions associated with the scheduled event.
User Response: None.

ANE4999E **Unable to log message '*message number*' to server: message too long.**
Explanation: The message text and inserts were too large to send to the server in the available internal buffer.
System Action: Refer to the local client error log for more information
User Response: None.

III—Client Messages

This section contains a listing of messages for the following:

- TSM administrative clients.
- Application program interface clients
- Backup–archive and Tivoli Space Manager (HSM client) workstations

The messages are listed in numeric order.

This section also contains Diagnosis, Modification, or Tuning Information. Some of these messages include information about the TSM error log that you can use when working with your service representative.

5

Client Message Repository File (0100–0199)

This section contains messages that are intended to help when detecting problems relating to missing messages or problems with the client message files.

- ANS0101** **Unable to open message repository file name.**
Explanation: The message repository file cannot be opened.
System Action: TSM is unable to complete the requested operation.
User Response: Make sure the file in your DSM_DIR is set up properly, or the language specified in the option file is supported. If the problem continues, see your system administrator for further help.
-
- ANS0103** **Error trying to read header record from message repository file name.**
Explanation: The message repository file header record cannot be obtained.
System Action: TSM is unable to complete the requested operation.
User Response: Make sure the file has not been altered from the installation. If the problem continues, see your system administrator for further help.
-
- ANS0105** **Error trying to read index for message number from repository file name.**
Explanation: The message text for the specified message number cannot be read.
System Action: TSM is unable to complete the requested operation.
User Response: Make sure the file has not been altered from the installation. If the problem continues, see your system administrator for further help.
-
- ANS0106** **Message index not found for message number.**
Explanation: The message repository file does not contain the message text for the message number.
System Action: TSM is unable to complete the requested operation.
-

User Response: Make sure the DSM_DIR is set up properly and it does not point to an old copy. If the problem continues, see your system administrator for further help.

ANS0107 **Error trying to read header for message number from repository file name.**
Explanation: The message header information cannot be obtained for the message number in the message file.
System Action: TSM is unable to complete the requested operation.
User Response: Make sure the file has not been altered from the installation. If the problem continues, see your system administrator for further help.

ANS0108 **Error trying to read text for message number from repository file name.**
Explanation: The message text cannot be obtained for the message number in the message file.
System Action: TSM is unable to complete the requested operation.
User Response: Make sure the file has not been altered from the installation. If the problem continues, see your system administrator for further help.

ANS0109 **Insufficient memory for allocation of message structure.**
Explanation: There is not enough memory in your system to allocate the storage needed for the message text.
System Action: TSM is unable to complete the requested operation.
User Response: Stop TSM and restart TSM. Then retry the operation. If unsuccessful, close all unneeded applications and retry the operation.

ANS0110 **Unable to open error log file for output.**
Explanation: The error log cannot be opened for output.
System Action: TSM is unable to complete the requested operation.
User Response: Stop and restart TSM. Then retry the operation. If unsuccessful, make sure the file is not being locked by another application.

ANS0111 **Invalid default time format.**
Explanation: The default time format is incorrect.
System Action: TSM is unable to complete the requested operation.
User Response: Stop TSM and restart TSM. Then retry the operation. If unsuccessful, make sure the DSM_DIR is set up correctly and the message file has not been altered from the installation.

ANS0112 **Invalid default number format.**
Explanation: The default number format is incorrect.
System Action: TSM is unable to complete the requested operation.

User Response: Stop TSM and restart TSM. Then retry the operation. If unsuccessful, make sure the DSM_DIR is set up correctly and the message file has not been altered from the installation.

ANS0113**Message repository file name has an invalid control record.**

Explanation: The message repository file contains an incorrect control information.

System Action: TSM is unable to complete the requested operation.

User Response: Make sure the message file was not altered from the installation. Check DSM_DIR to make sure it is set up properly.

ANS0117**Invalid default date format.**

Explanation: The default date format is incorrect.

System Action: TSM is unable to complete the requested operation.

User Response: Stop TSM and restart TSM. Then retry the operation. If unsuccessful, make sure the DSM_DIR is set up correctly and the message file has not been altered from the installation.

ANS0118**Unable to open schedule log file for output.**

Explanation: The schedule log file cannot be opened for output.

System Action: TSM is unable to complete the requested operation.

User Response: Stop TSM and restart TSM. Then retry the operation. If unsuccessful, make sure the file has not been locked by another application.

ANS0119**Error trying to read response string for message number from repository file name.**

Explanation: The response string information for the message number cannot be obtained from the message repository file.

System Action: TSM is unable to complete the requested operation.

User Response: Make sure the message file was not altered from the installation. Check DSM_DIR to make sure it is set up properly.

6

Application Program Interface (0200–0479)

-
- ANS0200I** **Successfully done.**
Explanation: The operation successfully completed.
System Action: None.
User Response: None.
-
- ANS0201E** **Invalid parameter was found.**
Explanation: The system encountered an internal program error due to an invalid parameter.
System Action: The system returns to the calling procedure.
User Response: Ask your service representative to check the error log.
-
- ANS0202E** **Not authorized to restore the other node's data.**
Explanation: The client is not authorized to restore the other node's data.
System Action: The system returns to the calling procedure.
User Response: Get authorization from the other node.
-
- ANS0203E** **The objName field has no leading directory separator.**
Explanation: The objName field does not have a leading directory separator.
System Action: The system returns to the calling procedure.
User Response: Correct the value for the objName.
-
- ANS0204E** **Wildcards are not allowed in the objName directory path.**
Explanation: Wildcards are not allowed in the objName directory path.
System Action: The system returns to the calling procedure.
User Response: Correct the value for the objName.
-

ANS0205E **Unable to open error log file.**
Explanation: The system is unable to open the error log file.
System Action: The system returns to the calling procedure.
User Response: Verify the DSMI_LOG value and access permission. On the AS/400 platform, verify the value specified for ERRORLOGNAME in the API options file.

ANS0206E **The log file cannot be written to.**
Explanation: There was an error writing to the log file.
System Action: The system returns to the calling procedure.
User Response: Verify the DSMI_LOG value and access permission. on the AS/400 platform, verify the value specified for ERRORLOGNAME in the API options file.

ANS0207E **The log file name was not specified.**
Explanation: The system is unable to open the error log file.
System Action: The system returns to the calling procedure.
User Response: Verify the DSMI_LOG value and access permission. On the AS/400 platform, verify the value specified for ERRORLOGNAME in the API options file.

ANS0208E **The TCP/IP WINSOCK.DLL file cannot be found.**
Explanation: The TCP/IP WINSOCK.DLL file cannot be found.
System Action: Processing stopped.
User Response: Verify your TCP/IP installation.

ANS0209E **An error occurred while loading a library.**
Explanation: An error occurred while loading a library. The TCP/IP DLL load failed.
System Action: Processing stopped.
User Response: Verify your TCP/IP installation.

ANS0210E **The TCP/IP load function failed.**
Explanation: An error occurred while locating a function. The TCP/IP load function failed.
System Action: Processing stopped.
User Response: Verify your TCP/IP installation.

ANS0211E **The object name pointer is NULL.**
Explanation: There is no value provided for the object name pointer.
System Action: The system returns to the calling procedure.
User Response: Provide an address for the dsmObjName structure.

-
- ANS0212E** **The data block pointer is NULL.**
Explanation: There is no value provided for the data block pointer.
System Action: The system returns to the calling procedure.
User Response: Provide an address for the DataBlk structure.
-
- ANS0213E** **The object attribute pointer is NULL.**
Explanation: There is no value provided for the object attribute pointer.
System Action: The system returns to the calling procedure.
User Response: Provide an address for the ObjAttr structure.
-
- ANS0214E** **There is no server session information.**
Explanation: The server did not respond with the session information.
System Action: The system returns to the calling procedure.
User Response: Verify the server status.
-
- ANS0215E** **There is no server policy information.**
Explanation: The server did not respond with the policy information.
System Action: The system returns to the calling procedure.
User Response: Verify the server policy definitions.
-
- ANS0216E** **The dataBlk bufferLen value is zero.**
Explanation: The value for the dataBlk bufferLen is zero.
System Action: The system returns to the calling procedure.
User Response: Provide a non-zero value for the bufferLen.
-
- ANS0217E** **The dataBlk bufferPtr is NULL.**
Explanation: There is no value provided for the dataBlk bufferPtr.
System Action: The system returns to the calling procedure.
User Response: Provide an address for the bufferPtr.
-
- ANS0218E** **The objType is invalid.**
Explanation: The value for the objType is invalid.
System Action: The system returns to the calling procedure.
User Response: The value for dsmObjName.objType must be:

 DSM_OBJ_FILE or DSM_OBJ_DIRECTORY for Backup, or

 DSM_OBJ_FILE for Archive.
-
- ANS0219E** **The dsmEndTxn vote is invalid.**
Explanation: The dsmEndTxn vote is invalid.
System Action: The system returns to the calling procedure.
-

User Response: The vote must be DSM_VOTE_COMMIT or DSM_VOTE_ABORT.

ANS0220E **An invalid option was found during option parsing.**
Explanation: An invalid option was found.
System Action: The system returns to the calling procedure.
User Response: Verify the options in dsm.opt, dsm.sys, and the options string. Check the error log for more details about the error. on the AS/400 platform, verify the options in *LIB/QOPTTSM(APIOPT).

ANS0221E **There was an error in the TSM API internals.**
Explanation: The system encountered an error in the API internals.
System Action: The system returns to the calling procedure.
User Response: Shut down the process and retry the operation. Verify that any previous dsmInit calls were cleaned up and terminated by a dsmTerminate call. If the problem continues, contact your system administrator or service representative.

ANS0222E **The repository type is invalid.**
Explanation: The repository type is invalid.
System Action: The system returns to the calling procedure.
User Response: For dsmDeleteFS the repository must be one of the following:

- DSM_ARCHIVE_REP
- DSM_BACKUP_REP
- DSM_REPOS_ALL.

ANS0223E **Filespace name should start with the directory delimiter.**
Explanation: The filesystem name is invalid.
System Action: The system returns to the calling procedure.
User Response: Filespace name should start with the directory delimiter.

ANS0224E **The object name is either an empty string or has no leading delimiter.**
Explanation: The object name is invalid because of an empty string or there is no leading delimiter.
System Action: The system returns to the calling procedure.
User Response: Verify the format of the dsmObjName full path.

ANS0225E **Low level qualifier of the object name should start with the directory delimiter.**
Explanation: The low level qualifier for the object name is invalid.
System Action: The system returns to the calling procedure.
User Response: Start the low level qualifier of the object name with the directory delimiter.

ANS0226E **The object owner is invalid.**
Explanation: The object owner must be either the root user, or the object owner must be the same as the session owner.
System Action: The system returns to the calling procedure.
User Response: Verify the session owner and object owner.

ANS0227E **The dsmBindMC sendType is invalid.**
Explanation: The dsmBindMC sendType is invalid.
System Action: The system returns to the calling procedure.
User Response: The sendType must be one of the following:

- stBackup
- stArchive
- stBackupMountWait
- stArchiveMountWait

ANS0228E **The dsmSendObj sendType is invalid.**
Explanation: The dsmSendObj sendType is invalid.
System Action: The system returns to the calling procedure.
User Response: The sendType must be one of the following:

- stBackup
- stArchive
- stBackupMountWait
- stArchiveMountWait

ANS0229E **The dsmDeleteObj delType is invalid.**
Explanation: The dsmDeleteObj delType is invalid.
System Action: The system returns to the calling procedure.
User Response: The delType must be dtBackup or dtArchive.

ANS0230E **The query Backup objState is invalid.**
Explanation: The query Backup objState is invalid.
System Action: The system returns to the calling procedure.
User Response: The qryBackupData.objState must be one of the following:

- DSM_ACTIVE
- DSM_INACTIVE
- DSM_ANY_MATCH

ANS0231E **The management class name was not found.**
Explanation: A query or send operation is unable to find the management class name.
System Action: The system returns to the calling procedure.
User Response: Verify the management class name.

ANS0232E **The drive letter is not an alphabetic character.**
Explanation: The drive letter is not an alphabetic character. This return code is valid on Microsoft Windows or OS/2.
System Action: The system returns to the calling procedure.
User Response: Verify that the drive designation is an alphabetic character. The referenced field is dsmDosFSAttrib.driveLetter.

ANS0233E **The Register Filespace name is NULL.**
Explanation: There is no value provided for the Register Filespace name.
System Action: The system returns to the calling procedure.
User Response: Provide a filespace name on dsmRegisterFS.

ANS0234E **The new password value is NULL or blank.**
Explanation: There is no value provided for new password.
System Action: The system returns to the calling procedure.
User Response: Provide a new password on dsmChangePW.

ANS0235E **The old password value is NULL or blank.**
Explanation: There is no value provided for old password.
System Action: The system returns to the calling procedure.
User Response: Provide an old password on dsmChangePW.

ANS0236E **On dsmInit, the owner is not allowed when PASSWORDACCESS=generate.**
Explanation: PASSWORDACCESS=generate establishes a session with the current login user as the owner.
System Action: The system returns to the calling procedure.
User Response: When using PASSWORDACCESS=generate, set clientOwnerNameP to NULL.

ANS0237E **On dsmInit, the node is not allowed when PASSWORDACCESS=generate.**
Explanation: PASSWORDACCESS=generate establishes a session with the current hostname as the node.
System Action: The system returns to the calling procedure.
User Response: When using PASSWORDACCESS=generate, set clientNodeP to NULL.

ANS0238E	<p>The sequence of calls is invalid. Explanation: The sequence of calls is invalid. System Action: The system returns to the calling procedure. User Response: Verify the transaction call sequence.</p>
ANS0239E	<p>On dsmSendObj, wildcards are not allowed for the objName. Explanation: On dsmSendObj, wildcards are not allowed for the objName. System Action: The system returns to the calling procedure. User Response: Provide a fs, hl, and ll on the dsmObjName.</p>
ANS0240E	<p>The filespace to delete/set access cannot be found. Explanation: The filespace to delete cannot be found. System Action: The system returns to the calling procedure. User Response: Verify the filespace name.</p>
ANS0241E	<p>On dsmSendObj, dsmDeleteObj, or dsmUpdateFS the filespace is not registered. Explanation: On dsmSendObj, dsmDeleteObj, or dsmUpdateFS, the filespace is not registered. System Action: The system returns to the calling procedure. User Response: Verify the filespace name.</p>
ANS0242W	<p>On dsmRegisterFS the filespace is already registered. Explanation: On dsmRegisterFS the filespace is already registered. System Action: The system returns to the calling procedure. User Response: Verify the filespace name.</p>
ANS0243E	<p>On dsmBeginGetData the objID is NULL. Explanation: On dsmBeginGetData, the objID is NULL. System Action: The system returns to the calling procedure. User Response: Verify the following:</p> <ul style="list-style-type: none">The dsmGetList is not NULL.Each objID is not NULL.The dsmGetList numObjId is not zero.
ANS0244E	<p>On dsmInit the caller's API version is different than the TSM library version. Explanation: On dsmInit the caller's API version has a higher value than the TSM library version. System Action: The system returns to the calling procedure. User Response: Install the latest TSM API library and trusted agent module.</p>

ANS0245E **The caller's structure version is different than the TSM library version.**
Explanation: The caller's structure version is different than the TSM library version.
System Action: The system returns to the calling procedure.
User Response: Ensure that the stVersion field is set with the value in the header file. Recompile the application with the latest header files.

ANS0246E **Issue dsmEndTxn and then begin a new transaction session.**
Explanation: This transaction must be ended and a new one must be started due to one of the following reasons:

- The destination changed.
- The byte limit is exceeded
- The maximum number of objects is exceeded.

System Action: The system returns to the calling procedure.
User Response: Issue dsmEndTxn and start a new transaction session.

ANS0247E **The backup or archive object is excluded from processing.**
Explanation: The backup or archive object is excluded from processing.
System Action: The system returns to the calling procedure.
User Response: Verify the objName and Exclude lists.

ANS0248E **The backup object does not have a copy group.**
Explanation: The backup object does not have a copy group.
System Action: The system returns to the calling procedure.
User Response: Verify server policy definitions.

ANS0249E **The archive object does not have a copy group.**
Explanation: The archive object does not have a copy group.
System Action: The system returns to the calling procedure.
User Response: Verify server policy definitions.

ANS0250E **Memory used by the TSM API has been corrupted.**
Explanation: Memory used by the TSM API has been corrupted.
System Action: The system returns to the calling procedure.
User Response: Retry the operation. If the problem continues, contact your system administrator or service representative.

ANS0251E **The sendObj Archive description is too long.**
Explanation: The sendObj Archive description is too long.
System Action: The system returns to the calling procedure.

User Response: The sndArchiveData.descr string must be less than or equal to DSM_MAX_DESCR_LENGTH.

ANS0252E **The sendObj ObjAttr.objInfo is too long.**
Explanation: The sendObj ObjAttr.objInfo is too long.
System Action: The system returns to the calling procedure.
User Response: The objInfo field must be less than or equal to DSM_MAX_OBJINFO_LENGTH.

ANS0253E **The sendObj dsmObjName.hl is too long.**
Explanation: The sendObj dsmObjName.hl is too long.
System Action: The system returns to the calling procedure.
User Response: The hl field must be less than or equal to DSM_MAX_HL_LENGTH.

ANS0254E **The dsmChangePW password is too long.**
Explanation: The dsmChangePW password is too long.
System Action: The system returns to the calling procedure.
User Response: The password field must be less than or equal to DSM_MAX_VERIFIER_LENGTH.

ANS0255E **The sendObj dsmObjName.fs is too long.**
Explanation: The sendObj dsmObjName.fs is too long.
System Action: The system returns to the calling procedure.
User Response: The fs field must be less than or equal to DSM_MAX_FS_LENGTH.

ANS0256E **The sendObj dsmObjName.ll is too long.**
Explanation: The sendObj dsmObjName.ll is too long.
System Action: The system returns to the calling procedure.
User Response: The ll field must be less than or equal to DSM_MAX_LL_LENGTH.

ANS0257E **On RegisterFS or UpdateFS the fsAttr's fsInfo is too long.**
Explanation: On RegisterFS or UpdateFS the fsAttr's fsInfo is too long.
System Action: The system returns to the calling procedure.
User Response: The fsInfo field must be less than or equal to DSM_MAX_FSINFO_LENGTH.

ANS0258I **On dsmGetNextQObj or dsmGetData there is more available data.**
Explanation: On dsmGetNextQObj or dsmGetData there is more available data.
System Action: The system returns to the calling procedure.

User Response: Call the function again.

ANS0259E **The dataBlk buffer is too small for the query response.**
Explanation: The dataBlk buffer is too small for the query response.
System Action: The system returns to the calling procedure.
User Response: On dsmGetNextQObj ensure that the dataBlk buffer is at least as big as the query response structure.

ANS0260E **An invalid option keyword was found during option parsing.**
Explanation: An invalid option keyword was found in the dsmInit configuration file, the option string, dsm.sys, or dsm.opt.
System Action: The system returns to the calling procedure.
User Response: Correct the spelling of the option keywords. Verify that the dsmInit configuration file only has a subset of the dsm.sys options. Check the error log for more details about the error.

ANS0261E **The configuration file specified on dsmInit cannot be opened.**
Explanation: The configuration file specified on dsmInit cannot be opened.
System Action: The system returns to the calling procedure.
User Response: Verify the file name.

ANS0262E **The Include/Exclude definition file was not found.**
Explanation: The Include/Exclude definition file was not found.
System Action: The system returns to the calling procedure.
User Response: Verify the file name on the Inclexcl option.

ANS0263E **Either the dsm.sys file was not found, or the Inclexcl file specified in dsm.sys was not found.**
Explanation: Either the dsm.sys file was not found, or the Inclexcl file specified in dsm.sys was not found.
System Action: The system returns to the calling procedure.
User Response: The dsm.sys file must be in the directory referenced by the environment variable DSMI_DIR. Verify the file name on the Inclexcl option in the dsm.sys file.

ANS0264E **Only a UNIX root user can execute dsmChangePW or dsmDeleteFS.**
Explanation: Only a UNIX root user can execute dsmChangePW or dsmDeleteFS.
System Action: The system returns to the calling procedure.
User Response: Run this program as a root user.

ANS0265E	<p>You must issue dsmBindMC before dsmSendObj. Explanation: You must issue dsmBindMC before dsmSendObj. System Action: The system returns to the calling procedure. User Response: Modify your program.</p>
ANS0266I	<p>The dsmEndTxn vote is ABORT, so check the reason field. Explanation: After a dsmEndTxn call, the transaction is aborted by either the server or client with a DSM_VOTE_ABORT and the reason is returned. System Action: The system returns to the calling procedure. User Response: Check the reason field for the code which explains why the transaction has been aborted.</p>
ANS0268E	<p>Server problem: Destination not defined. Explanation: Server problem: Destination not defined. System Action: Processing stopped. User Response: Have your service representative check the error log.</p>
ANS0269S	<p>The structured file data type is unknown. Explanation: An unknown and unexpected error code occurred within the client program. The structured file data type is unknown. This is a programming failure and the client program ends. System Action: Processing stopped. User Response: Retry the operation. If the problem continues, contact your system administrator.</p>
ANS0270S	<p>The data buffer overflowed. Explanation: The data buffer overflowed. This is a programming failure and the client program ends. System Action: Processing stopped. User Response: Retry the operation. If the problem continues, contact your system administrator.</p>
ANS0271E	<p>No more files can be restored or retrieved since the destination directory is full. Explanation: No more files can be restored or retrieved since the destination directory is full. System Action: Processing stopped. User Response: Free up disk space, or restore or retrieve the file to another disk.</p>
ANS0272I	<p>The operation is finished. Explanation: The operation is finished. System Action: The system returns to the calling procedure. User Response: Proceed with next function call.</p>

ANS0273E **The trusted agent execution/owner permissions are invalid.**
Explanation: The trusted agent execution/owner permissions are invalid.
System Action: Processing stopped.
User Response: Have your system administrator check the installation instructions for the client to ensure that the trusted agent permissions are set correctly.

ANS0274S **Process killed.**
Explanation: Processing stopped. This is a programming failure and the client program ends.
System Action: Processing stopped.
User Response: Retry the operation. If the problem continues, contact your system administrator.

ANS0275S **Trusted agent would block the operation.**
Explanation: The trusted agent blocks the operation. This is a programming failure and the client program ends.
System Action: Processing stopped.
User Response: Retry the operation. If the problem continues, contact your system administrator.

ANS0276S **The area for the include/exclude pattern is too small.**
Explanation: The area for the include/exclude pattern is too small. This is a programming failure and the client program ends.
System Action: Processing stopped.
User Response: Retry the operation. If the problem continues, contact your system administrator.

ANS0277S **There is no closing bracket in the pattern.**
Explanation: There is no closing bracket in the pattern. This is a programming failure and the client program ends.
System Action: Processing stopped.
User Response: Retry the operation. If the problem continues, contact your system administrator.

ANS0278S **The transaction will be aborted.**
Explanation: The server encountered an error and will abort the transaction.
System Action: The transaction will be aborted. The reason code is passed on the dsmEndTxn call.
User Response: Issue the dsmEndTxn with a vote of DSM_VOTE_COMMIT and examine the reason code.

-
- ANS0279I** **A file was skipped during a restore operation because the file is off line and the application has chosen not to wait for a tape mount.**
Explanation: A file was skipped during a restore operation because the file is off line and the application has chosen not to wait for a tape mount.
System Action: File skipped.
User Response: Verify the application sets the mountWait value correctly on dsmBeginGetData.
-
- ANS0280E** **Unable to find Trusted Agent module.**
Explanation: TSM was unable to find the TSM Trusted Agent module in the specified directory. For V1R1 the name is dsmapita, for V1R2 the name is dsmtca, for V2R1 the name is dsmapitca.
System Action: TSM ends.
User Response: Make sure the Trusted Agent module is in the directory specified by DSMI_DIR.
-
- ANS0281E** **Access denied for dsmapitca.**
Explanation: An attempt to access a system function has been denied.
System Action: Processing stopped.
User Response: Contact your system administrator.
-
- ANS0282E** **Password file is not available.**
Explanation: The file containing the stored password for the specified *server-name* is unavailable.
System Action: TSM ends.
User Response: The root user must set and store a new password.
-
- ANS0283E** **High level qualifier of the object name should start with the directory delimiter.**
Explanation: The high level qualifier for the object name is invalid.
System Action: The system returns to the calling procedure.
User Response: High level qualifier of the object name should start with the directory delimiter.
-
- ANS0284E** **The number of objects on dsmBeginGetData exceeds DSM_MAX_GET_OBJ | DSM_MAX_PARTIAL_GET_OBJ.**
Explanation: The number of objects (numObjId) specified on the dsmBeginGetData call exceeds DSM_MAX_GET_OBJ | DSM_MAX_PARTIAL_GET_OBJ.
System Action: The system returns to the calling procedure.
User Response: Check the number of objects before calling dsmBeginGetData. If it is greater than DSM_MAX_GET_OBJ | DSM_MAX_PARTIAL_GET_OBJ, then issue multiple Get call sequences.
-

ANS0285E	<p>The update action is invalid. Explanation: The dsmUpdateFS or dsmUpdateObj action is invalid. System Action: The system returns to the calling procedure. User Response: Correct the action value. Valid values are defined in dsmapi.td.h and documented in our Using the API book.</p>
<hr/>	
ANS0286E	<p>The key file is missing. Explanation: The key file for Tivoli Data Protection application client for Oracle cannot be found. System Action: The system returns to the calling procedure. User Response: Ensure that you have ordered the Tivoli Data Protection application client which contains TDP for Oracle, and install the key file.</p>
<hr/>	
ANS0287E	<p>The key file content is invalid. Explanation: The key file content for Tivoli Data Protection application client for Oracle is invalid. System Action: The system returns to the calling procedure. User Response: Ensure that you have ordered the Tivoli Data Protection application client which contains the TDP for Oracle, and install the key file.</p>
<hr/>	
ANS0296E	<p>The PC/3270 EHLLAPI DLL pcsdll.dll cannot be found in the user's path. Explanation: The PC/3270 EHLLAPI DLL pcsdll.dll cannot be found in the user's path. System Action: Communications link is not established. User Response: Contact your system administrator. Make sure that the PS/3270 EHLLAPI DLLs are in a directory that is included in the user's path.</p>
<hr/>	
ANS0301E	<p>The TSM DLL dsm3270.dll cannot be found in the user's path. Explanation: The TSM DLL dsm3270.dll cannot be found in the user's path. System Action: Communications link is not established. User Response: Make sure that the TSM DLL dsm3270.dll is in a directory that is included in the user's path.</p>
<hr/>	
ANS0302I	<p>Successfully done. Explanation: The operation successfully completed. System Action: None. User Response: None.</p>
<hr/>	
ANS0315E	<p>Unable to open message text file. Explanation: The system is unable to open the message txt file (dscameng.txt or dsmclientV3.cat for AIX). On the AS/400 platform this file is QANSAPI/QAANSAMENG(TXT).</p>

System Action: The system returns to the calling procedure.

User Response: Verify that the dscameng.txt file is in the directory pointed to by DSMI_DIR. For AIX, verify that the dsmclientV3.cat file has a symbolic link to /usr/lib/nls/msg/<locale>/dsmclientV3.cat .

ANS0316E Unable to use message text file.

Explanation: The system is unable to use the message text file (dscameng.txt or dsmclientV3.cat for AIX) because of an invalid header. On the AS/400 platform this file is QANSAPI/QAANSAMENG(TXT).

System Action: The system returns to the calling procedure.

User Response: Install the message text file again.

ANS0317E Unable to use message text file.

Explanation: The system is unable to use the message txt file (dscameng.txt or dsmclientV3.cat for AIX) because of an invalid control record. On the AS/400 platform this file is QANSAPI/QAANSAMENG(TXT).

System Action: The system returns to the calling procedure.

User Response: Install the message text file again.

ANS0318E Invalid value for DATEFORMAT specified.

Explanation: An invalid value is specified for DATEFORMAT.

System Action: The system returns to the calling procedure.

User Response: Specify a valid value.

ANS0319E Invalid value for TIMEFORMAT specified.

Explanation: An invalid value is specified for TIMEFORMAT.

System Action: The system returns to the calling procedure.

User Response: Specify a valid value.

ANS0320E Invalid value for NUMBERFORMAT specified.

Explanation: An invalid value is specified for NUMBERFORMAT.

System Action: The system returns to the calling procedure.

User Response: Specify a valid value.

ANS0321E msg parameter for dsmRCMsg is a NULL pointer.

Explanation: The message parameter for dsmRCMsg is a NULL pointer.

System Action: The system returns to the calling procedure.

User Response: Allocate enough space for the message parameter.

ANS0322E no text available for this return code.

Explanation: The dsmRC parameter for dsmRCMsg is an unsupported return code.

	<p>System Action: The system returns to the calling procedure. User Response: Specify a valid value.</p>
--	---

ANS0323E	<p>partialObjOffset value for partial object retrieve is invalid. Explanation: The partialObjOffset value for partial object retrieve is invalid. System Action: The system returns to the calling procedure. User Response: Specify a valid value.</p>
----------	--

ANS0324E	<p>partialObjLength value for partial object retrieve is invalid. Explanation: partialObjLength value for partial object retrieve is invalid. System Action: The system returns to the calling procedure. User Response: Specify a valid value.</p>
----------	--

ANS0325E	<p>Partial Object Retrieve is not supported on this server. Explanation: The TSM server specified by the user does not support partial object retrieve. System Action: The system returns to the calling procedure. User Response: Specify a TSM server which supports the partial object retrieve function.</p>
----------	---

ANS0326E	<p>Node has exceeded max tape mounts allowed. Explanation: All the tape mount points for this node are in use. System Action: The system returns to the calling procedure. User Response: Increase the number of allowed tape mounts for this node on the server.</p>
----------	--

ANS0327E	<p>A duplicate object was found, operation cannot complete. Explanation: A duplicate object was found, operation cannot complete. System Action: The requested operation failed. User Response: Try the operation with a different file specification.</p>
----------	---

ANS0328E	<p>The specified objects failed the merge test. Explanation: The specified objects failed the merge test, operation cannot complete. System Action: The requested operation failed. User Response: See documentation for the merge test parameters.</p>
----------	--

ANS0330E	<p>The dsmSetAccess access Type is invalid. Explanation: The dsmSetAccess accessType is invalid. System Action: The system returns to the calling procedure. User Response: The accessType must be one of the following:</p>
----------	---

atBackup

atArchive

ANS0331E **No files have been previously backed up for this filename/filespace.**
Explanation: You tried to set access to files when no files for the specified filename, drive or file system were previously backed up.
System Action: Processing stopped.
User Response: Ensure that the correct drive or file system was specified and that files are backed up for you to set access.

ANS0332E **No files have been previously archived for this filename/filespace.**
Explanation: You tried to set access to files when no files for the specified filename, drive or file system were previously archived.
System Action: Processing stopped.
User Response: Ensure that the correct drive or file system was specified and that files are archived for you to set access.

ANS0400E **License file could not be opened.**
Explanation: The license file was not found, or could not be opened because of permissions or the file is corrupted.
System Action: The system returns to the calling procedure.
User Response: Check permissions on file. See if the license file is in the correct place.

ANS0401E **Read failure on the license file.**
Explanation: The license file was not found, or could not be opened because of permissions, or the file is corrupted.
System Action: The system returns to the calling procedure.
User Response: Check permissions on file. See if the license file is in the correct place.

ANS0402E **Write failure on the license file.**
Explanation: The license file was not found, or could not be opened because of permissions or the file is corrupted.
System Action: The system returns to the calling procedure.
User Response: Check permissions on file. See if license file is in the correct place.

ANS0403E **Data in the license file is not in a valid format.**
Explanation: The license file is not valid.
System Action: The system returns to the calling procedure.
User Response: User needs to obtain a new license.

ANS0404E **The checksum in the license file does not match the licenseregistration string.**
Explanation: The registration string is not valid.
System Action: The system returns to the calling procedure.
User Response: User needs to obtain a new license.

ANS0405E **This is an expired try and buy license.**
Explanation: The registration string is not valid.
System Action: The system returns to the calling procedure.
User Response: User needs to obtain a new license.

7

Client Common Messages (1000–1999)

-
- ANS1000E** **Attempting to use a communications method that is not supported**
Explanation: You specified a communication method that is not supported.
System Action: Processing stopped.
User Response: Specify a valid communication interface for the TSM client and your operating system.
-
- ANS1001E** **Volume being backed up was not a system volume. Skipped.**
Explanation: User specified to back up system volume only. This volume was not backed up since this volume is not a system volume.
System Action: Volume was not backed up.
User Response: Use All option or use image backup command to backup this volume.
-
- ANS1002I** **MOS image is being created. It may take a while.**
Explanation: Mini Operating System image is being created. It may take a while to create it.
System Action: TSM is gathering necessary information.
User Response: None.
-
- ANS1003W** **You are trying to compress the data for this backup. If the data is compressed, file by file restore will not be performed. Do you wish to continue?**
Explanation: User is trying to compress the data for this backup. If the data is compressed, file by file restore will not be performed during restore. Only image restore will be performed.
System Action: If user's response is yes, the data will be compressed, otherwise operation will be aborted.
User Response: Enter either Yes or No.
-

ANS1009E	<p>Session rejected: Specified gateway name <i>gateway</i> cannot be connected to. See your system administrator.</p> <p>Explanation: Cannot connect to specified <i>gateway</i>.</p> <p>System Action: Communications link is not established.</p> <p>User Response: See your system administrator on status of the LAN.</p>
ANS1010E	<p>Session rejected: NETBIOS session not established.</p> <p>Explanation: The client cannot access the NETBIOS server.</p> <p>System Action: Session is not established.</p> <p>User Response: Ensure that NETBIOS is loaded and that the NETBIOS server is active. See your system administrator on status of the LAN.</p>
ANS1011E	<p>Session rejected: The OS/2 LAN file ACSNETB.DLL is not available or is invalid.</p> <p>Explanation: The OS/2 LAN file ACSNETB.DLL is not available to establish a communications link, or the file is incorrect.</p> <p>System Action: Communications link is not established.</p> <p>User Response: See your system administrator.</p>
ANS1012E	<p>Session rejected: Communication session was unexpectedly ended</p> <p>Explanation: The communication session ended unexpectedly.</p> <p>System Action: Communications link is not established.</p> <p>User Response: See your system administrator.</p>
ANS1013E	<p>Session rejected: Error accessing the LAN. See your system administrator.</p> <p>Explanation: Error accessing the LAN.</p> <p>System Action: Communications link is not established.</p> <p>User Response: See your system administrator.</p>
ANS1014E	<p>Session rejected: LAN failure while in session with server</p> <p>Explanation: LAN communications failure detected while in session with server.</p> <p>System Action: Communications link is not established.</p> <p>User Response: See your system administrator.</p>
ANS1015E	<p>Session rejected: LAN resources are exhausted for your system. See your system administrator.</p> <p>Explanation: LAN resources are exhausted for your system and the session was rejected.</p> <p>System Action: Communications link is not established.</p> <p>User Response: See your system administrator.</p>

-
- ANS1016E** **Session rejected: Unexpected LAN error. Unknown cause. See your system administrator.**
Explanation: An unexpected LAN error occurred.
System Action: Communications link is not established.
User Response: These errors may be caused by a failure on the LAN external to TSM. See your system administrator to ensure that your LAN is operating properly.
-
- ANS1017E** **Session rejected: TCP/IP connection failure**
Explanation: An attempt to connect to the server using TCP/IP communications failed. This error can occur if the LAN connection went down or if your system administrator canceled a backup operation.
System Action: Session rejected. Processing stopped.
User Response: Retry the operation, or wait until the server comes back up and retry the operation. If the problem continues, see your system administrator for further help.
-
- ANS1018E** **Session rejected: NETBIOS name error**
Explanation: An attempt to add the client NETBIOS name failed, or an attempt to call the server NETBIOS name failed.
System Action: Processing stopped.
User Response: Verify that your NETBIOSNAME option value is unique. Verify that your NETBIOSSERVERNAME option value is correct. Verify that the server has NETBIOS support running. If the problem continues, see your system administrator for further help.
-
- ANS1019E** **Session rejected: NETBIOS timeout**
Explanation: A timeout occurred when transmitting data with the NETBIOS protocol.
System Action: Processing stopped.
User Response: Make sure the server is operational. You may need to increase the NETBIOS_TIMEOUT value or use a value of 0 for no timeout. If the problem continues, see your system administrator for further help.
-
- ANS1020E** **Session rejected: NETBIOS not installed**
Explanation: The product for NETBIOS is not installed.
System Action: Processing stopped.
User Response: Verify that the product for NETBIOS, such as the LAN Support Program, is installed. If the problem continues, see your system administrator for further help.
-

ANS1021E	<p>NETBIOS configuration error: Reboot the machine.</p> <p>Explanation: A DOS or Windows NETBIOS error has occurred which requires that the adapter be reset. This may be caused by a software installation or adapter configuration error.</p> <p>System Action: Processing stopped.</p> <p>User Response: Reboot the machine. If the error recurs, check the TSM error log to find the NETBIOS return code. See your system administrator for help with your NETBIOS installation/configuration problem.</p>
<hr/>	
ANS1022E	<p>Cannot start application specified on the BOOKS option.</p> <p>Explanation: Could not start the application specified on the BOOKS option.</p> <p>System Action: Processing continues.</p> <p>User Response: Correct the option and restart the program.</p>
<hr/>	
ANS1023E	<p>Session rejected: Node type mismatch</p> <p>Explanation: Your node name is associated with a different type of operating system (such as OS/2 or AIX) and cannot be used on this system.</p> <p>System Action: TSM canceled the current operation.</p> <p>User Response: If you need a new node name, see your system administrator to assign a new one to you. Generally, you have a unique node name for each machine and operating system pair that requires access to the server.</p>
<hr/>	
ANS1024E	<p>Session rejected: Unable to locate required file WSOCK32.DLL</p> <p>Explanation: The 32-Bit Windows Sockets DLL WSOCK32.DLL could not be located</p> <p>System Action: Communications link is not established. Session rejected.</p> <p>User Response: See your system administrator.</p>
<hr/>	
ANS1025E	<p>Session rejected: Authentication failure</p> <p>Explanation: Authentication failure. You entered an incorrect password.</p> <p>System Action: TSM canceled the current operation.</p> <p>User Response: Enter your correct password. If you cannot remember the correct password, see your system administrator to have a new one assigned for your node name.</p>
<hr/>	
ANS1026E	<p>Session rejected: Communications protocol error</p> <p>Explanation: Communications protocol error. An unexpected communications message was received by the client.</p> <p>System Action: TSM canceled the current operation.</p> <p>User Response: Verify that your communication path is functioning properly. If the problem continues, have your service representative check for a possible program error.</p>

ANS1027E	Session failure: Server not available Explanation: The server cannot be accessed at this time. System Action: TSM canceled the current operation. User Response: Retry the operation later. If the server continues to be unavailable, see your system administrator to see if the server is operating properly. If the server is operating properly, you might have your TSM client incorrectly installed or some parameter in your communication path might have been modified.
ANS1028S	Internal program error. Please see your service representative. Explanation: An unexpected program failure occurred. System Action: Processing stopped. User Response: Retry the operation. If the problem continues, see your system administrator or your service representative.
ANS1029E	Communications have been dropped. Explanation: Communications with the server dropped. System Action: Processing stopped. User Response: Restart the TSM client and retry the operation.
ANS1030E	System ran out of memory. Process ended. Explanation: TSM cannot allocate storage for the specified operation. System Action: TSM cannot complete the requested operation. User Response: Stop TSM, restart TSM, and retry the operation. If unsuccessful, close all unneeded applications and retry the operation. For UNIX systems that support resource limits, you can check if the memory resource limit is too low by entering the following command: <code>ulimit -a</code> Based on the resulting data, you can ask the UNIX system root user to increase resource limits so that it will override the current default. The UNIX system root user has the authority to increase resource limits.
ANS1031E	Establishment of a TCP/IP connection timed out before connection was made Explanation: The attempt to establish a TCP/IP connection timed out before the connection was made. System Action: Processing stopped. User Response: Check for a networking problem. If the problem continues, see your system administrator. API applications should close the session with <code>dsmTerminate</code> .
ANS1032E	An attempt to establish a TCP/IP connection was rejected by the host Explanation: An attempt to establish a TCP/IP connection was rejected by the server. System Action: Processing stopped.

User Response: The server was not fully initialized, is not currently running, was not enabled for TCP/IP communications, or an incorrect TCP/IP port number was specified. If the problem continues, see your system administrator.

ANS1033E

An invalid TCP/IP host name was specified

Explanation: An invalid TCP/IP host name or address was specified.

System Action: Processing stopped.

User Response: Check your options file for the correct TCPSERVERADDRESS statement. See your administrator for the correct name of the server.

ANS1034E

The specified TCP/IP host name is unreachable

Explanation: The TCP/IP host name specified in the TCPSERVERADDRESS statement cannot be reached.

System Action: Processing stopped.

User Response: Check your options file for the correct TCPSERVERADDRESS statement. See your administrator for the correct name of the server.

ANS1035S

Options file '*file-name*' not found

Explanation: The options file specified by *file-name* cannot be found.

System Action: The TSM client ends.

User Response: See if you have the environment variable DSM_CONFIG (or DSMI_CONFIG for the API) set, which explicitly identifies the TSM options file. (You can do this by entering the SET command at your system.) If this environment variable is set, ensure the file indicated by the variable exists. If it is not set, then TSM looks for the file dsm.opt in the current directory. If neither of these cases is met, you receive this error message.

ANS1036S

**Invalid option '*option*' found in options file '*file-name*' at line number : *number*
Invalid entry : '*entry*'**

Explanation: The specified *option* in the TSM options file (*file-name*) is in error.

System Action: Processing stopped.

User Response: Correct the options file entry.

ANS1037S

Invalid keyword specified

Explanation: TSM found an incorrect keyword in the options file.

System Action: Processing stopped.

User Response: Correct the options file with valid entries.

ANS1038S

Invalid option specified

Explanation: An incorrect option was specified to TSM.

System Action: Processing stopped.

User Response: Correct the options used for running TSM.

ANS1039S	Include/Exclude pattern too complex Explanation: The include or exclude pattern issued is too complex to be accurately interpreted by TSM. System Action: Processing stopped. User Response: Recode the include or exclude pattern as shown in one of the examples in the appropriate <i>Using the Backup-Archive Client</i> book for the particular operating system.
ANS1040S	Include/Exclude pattern is missing a closing bracket Explanation: The include or exclude pattern is incorrectly constructed. The closing bracket is missing. System Action: Processing stopped. User Response: Correct the syntax for the pattern.
ANS1041S	Include/Exclude pattern must start with a directory delimiter Explanation: The include or exclude pattern must start with a directory delimiter. System Action: Processing stopped. User Response: Correct the syntax for the pattern.
ANS1042S	Include/Exclude pattern has a '...' without beginning/ending directory delimiter Explanation: The include/exclude pattern has a '...' without a beginning or ending directory delimiter. System Action: Processing stopped. User Response: Correct the syntax for the pattern.
ANS1043S	Quotes are not matched Explanation: The quotes specified in the pattern are not the same and do not make a set. System Action: Processing stopped. User Response: Correct the pattern by using matching quotes in the syntax.
ANS1044S	Unresolved environment name '<i>environment-name</i>'.This filespace is being ignored. Processing Continues. Explanation: The specified <i>environment-name</i> in the options file is invalid. System Action: TSM attempts to continue the current operation. User Response: Check the environment variable in the options file and use a valid environment variable. Retry the operation.
ANS1045S	Environment variable syntax error. Explanation: Incorrect syntax is specified in the options file. Make sure that the variable is enclosed in curly braces. System Action: TSM attempts to continue the current operation.

User Response: Check the syntax of environment variable in the options file. Correct it and retry the operation.

ANS1046S Environment string for variable 'environment-name' too long. Anything beyond 1024 characters is being ignored

Explanation: Environment variable expanded to a string which is too long. Make sure that the string is no more than 1023 characters long.

System Action: TSM attempts to continue the current operation.

User Response: Check the length of environment string and break it up into smaller strings using multiple environment variables.

ANS1047E Establishment of an IPX/SPX connection timed out before the connection was made.

Explanation: The attempt to establish an IPX/SPX connection timed out before the connection was made.

System Action: Processing stopped.

User Response: Check for an IPX/SPX networking problem. Ensure that the server is fully initialized, is currently running, and is enabled for IPX/SPX communications. Verify that the server address is correct in the IPXSERVERADDRESS statement in the options file. If the problem continues, see your system administrator.

ANS1048E An attempt to establish an IPX/SPX connection was refused.

Explanation: An attempt to establish an IPX/SPX connection was rejected by the server.

System Action: Processing stopped.

User Response: The server was not fully initialized, is not currently running, was not enabled for IPX/SPX communications, or an incorrect IPX/SPX port number was specified. Verify that the IPX/SPX port number is correct in the IPXSOCKET statement in the options file. If the problem continues, see your system administrator.

ANS1049E The specified IPX/SPX server address is unreachable.

Explanation: The IPX/SPX host name specified in the IPXSERVERADDRESS statement cannot be reached.

System Action: Processing stopped.

User Response: Check your options file for the correct IPXSERVERADDRESS statement. See your administrator for the correct name of the server.

ANS1050S DBCS Characters are not allowed in an Include/Exclude range

Explanation: Only single-byte characters are allowed in an include/exclude list; you cannot use a double-byte character set (DBCS).

System Action: Processing stopped.

User Response: Remove the double-byte characters from the include/exclude list and retry the operation.

ANS1051E **Invalid password**
Explanation: You entered an invalid password.
System Action: TSM cannot connect to the server without the correct password.
User Response: Enter the password, or ask your system administrator for the correct password.

ANS1052E **A beginning delimiter (*begin-delimiter*) was not matched by the corresponding ending delimiter (*end-delimiter*)**
Explanation: The beginning delimiter must be paired with the required ending delimiter to make a valid argument.
System Action: The process is stopped.
User Response: Correct the input and re-submit.

ANS1058E **Restore destination is unreachable.**
Explanation: Trying to restore to destination that cannot be reached. Either the drive letter is not valid, or you are specifying a local share name that cannot be resolved.
System Action: Processing stopped.
User Response: Retry the command and specify a different destination.

ANS1063E **Invalid path specification**
Explanation: The path specified is not a valid file-system or logical volume name.
System Action: The requested logical volume operation is not performed.
User Response: Retry the operation, using a valid path.

ANS1064E **Internal error**
Explanation: An error occurred in the image utility internals.
System Action: The requested logical volume operation is not performed.
User Response: Contact your TSM administrator.

ANS1065E **Library version of the image utility does not match that of the TSM API**
Explanation: The current system has a mix of installed components.
System Action: The requested logical volume operation is not performed.
User Response: Re-install all TSM components

ANS1066E **Restore successful. File system mount failed.**
Explanation: The file system was successfully restored, but the attempt to re-mount it failed.
System Action: The file system is left unmounted.

User Response: Use the mount command to mount the file system. On AIX, run fsck if requested by the operating system.

ANS1067E **Error in system call, check log file for more information**
Explanation: An error occurred during a system call, check the error log for more information.
System Action: The requested logical volume operation is not performed.
User Response: Check error log.

ANS1068E **Device is not local**
Explanation: The selected path is not a local device and therefore is not a valid object for image operations
System Action: The requested logical volume operation is not performed.
User Response: Choose another object.

ANS1069E **An error occurred while reading data from the device**
Explanation: An error occurred while reading data from the device.
System Action: The requested logical volume operation is not performed.
User Response: Re-try the operation, check error log for more information.

ANS1070E **Write error**
Explanation: An error occurred while writing data to the device.
System Action: The requested logical volume operation is not performed.
User Response: Re-try the operation, check error log for more information.

ANS1131E **Unable to continue operation. Duplicate labels exist.**
Explanation: The selected drive has a duplicate volume label. Because TSM uses the volume label to keep track of backup/archive information, it cannot back up or archive files from a drive with a duplicate volume label.
System Action: TSM cannot select the drive.
User Response: If the volume needs to be available to the system, exit TSM, and assign a volume label to the drive. Restart TSM and retry the operation.

ANS1150E **Unable to restore current user profile because you are running as a local system account.**
Explanation: The local system account does not have a profile. Therefore you cannot restore its profile.
System Action: Processing stops.
User Response: Log on to the user whose profile you want to restore.

-
- ANS1151E** **Drive *drive-name1*: is not a cluster disk. Not valid for backup/archive when CLUSTERNODE option is YES.**
Explanation: The *drive-name1* is not a cluster disk. Backup/archive is not allowed when the CLUSTERNODE option is set to YES.
System Action: Processing stops.
User Response: Set CLUSTERNODE option to NO, then backup/archive the drive. Otherwise, you cannot backup/archive the drive.
-
- ANS1152E** **Drive *filespace* is not a cluster disk. Not valid for backup/archive when CLUSTERNODE option is YES.**
Explanation: The *filespace* is not a cluster disk. Backup/archive is not allowed when the CLUSTERNODE option is set to YES.
System Action: Processing stops.
User Response: Set CLUSTERNODE option to NO, then backup/archive the drive. Otherwise, you cannot backup/archive the drive.
-
- ANS1153E** **Drive *drive-name1*: is a cluster disk. Not valid for backup/archive when CLUSTERNODE option is NO.**
Explanation: The *drive-name1* is a cluster disk. Backup/archive is not allowed when the CLUSTERNODE option is set to NO.
System Action: Processing stops.
User Response: Set CLUSTERNODE option to YES, then backup/archive the drive. Otherwise, you cannot backup/archive the drive.
-
- ANS1154E** **Drive *filespace* is a cluster disk. Not valid for backup/archive when CLUSTERNODE option is NO.**
Explanation: The *filespace* is a cluster disk. Backup/archive is not allowed when the CLUSTERNODE option is set to NO.
System Action: Processing stops.
User Response: Set CLUSTERNODE option to YES, then backup/archive the drive. Otherwise, you cannot backup/archive the drive.
-
- ANS1155E** **CLUSTERNODE option is set to YES but cluster is not enabled. Either the machine does not have cluster server installed, or the cluster server is not running.**
Explanation: If CLUSTERNODE option is set to YES, TSM must be running on a Windows NT Server Enterprise Edition machine with the cluster server installed and running.
System Action: Processing stops.
User Response: Ensure TSM is running in a cluster environment and that the cluster server has been started.
-

ANS1156E	<p>NODENAME cannot be the local machine name when CLUSTERNODE is set to YES</p> <p>Explanation: When TSM is running as a cluster node, the nodename cannot be the local machine name.</p> <p>System Action: Processing stops.</p> <p>User Response: Change the nodename either to the cluster name or to any other name, and restart TSM.</p>
<hr/>	
ANS1157I	<p>Backup/Restore of the registry is not allowed when running as a cluster node.</p> <p>Explanation: When running as a cluster node, registry cannot be backed up or restored.</p> <p>System Action: Processing continues.</p> <p>User Response: None.</p>
<hr/>	
ANS1158I	<p>Backup/Restore of the event logs is not allowed when running as a cluster node.</p> <p>Explanation: When running as a cluster node, event logs cannot be backed up or restored.</p> <p>System Action: Processing continues.</p> <p>User Response: None.</p>
<hr/>	
ANS1162E	<p>Filesystem could not be mounted</p> <p>Explanation: The system call to mount the file system failed.</p> <p>System Action: The file system remains unmounted.</p> <p>User Response: Use the mount command to mount the file system. On AIX, run fsck if requested by the operating system.</p>
<hr/>	
ANS1163E	<p>Filesystem could not be unmounted.</p> <p>Explanation: The system call to unmount the file system failed.</p> <p>System Action: The logical volume operation is not performed.</p> <p>User Response: Make sure the device or file system is not being accessed, then retry the operation.</p>
<hr/>	
ANS1164E	<p>Filesystem is not mounted</p> <p>Explanation: The named file system is not currently mounted. It must be mounted for TSM to perform an image backup.</p> <p>System Action: The logical volume operation is not performed.</p> <p>User Response: Mount the file system.</p>
<hr/>	
ANS1165E	<p>Destination is smaller than source</p> <p>Explanation: The space allocation for the selected destination is smaller than the source.</p> <p>System Action: The restore operation is not performed.</p>

User Response: Choose a different, bigger destination or increase the size of the destination file space.

ANS1166E **Source and destination are not the same file system type.**
Explanation: The source and destination file system types do not match.
System Action: The requested logical volume operation is not performed.
User Response: Choose a destination that has the same file system type as the source.

ANS1202E **TOC backup for the image failed. Check log files.**
Explanation: An error occurred during backup of the table of contents. Check the error log for more information.
System Action: The requested logical volume operation is not performed.
User Response: Check error log.

ANS1203E **Deactivating the TOC object failed.**
Explanation: An error occurred while deactivating the table of contents object.
System Action: Image backup was successful. But deactivating the TOC object from the previous backup failed.
User Response: Check error log.

ANS1204E **Image restore failed. Check the error log.**
Explanation: An error occurred while restoring the image. Check log file for more information.
System Action: Restore stops. The file system is not mounted back.
User Response: Check error log.

ANS1205E **Image backup failed. Check the error log.**
Explanation: An error occurred while backing up the image. Check log file for more information.
System Action: Backup stopped. The file system is not mounted back.
User Response: Check error log.

ANS1206E **TOC backup of a raw device is not supported. But the raw device is backed up.**
Explanation: TOC backup of a raw device is not supported. But the raw device is backed up.
System Action: Raw device is backed up with no TOC object.
User Response: NONE.

ANS1207E	<p>No TOC has been previously backed up for this file system.</p> <p>Explanation: The user is trying to query the TOC of a file system. TOC backup for that file system has not been previously done.</p> <p>System Action: Query stopped.</p> <p>User Response: Backup the file system again with -TOC option.</p>
-----------------	---

ANS1229E	<p>MODE=INCREMENTAL invalid on <i>file-space</i>. Image backup not processed.</p> <p>Explanation: The MODE=INCREMENTAL option is not valid on <i>file-space</i> because the filespace has been the subject of a progressive incremental backup since the last full image backup was performed.</p> <p>System Action: File system skipped.</p> <p>User Response: If an image backup of the named <i>file-system</i> is desired, retry without the MODE=INCREMENTAL option.</p>
-----------------	---

ANS1270E	<p>Error Loading ACPOCPIC.DLL - not in Search Path</p> <p>Explanation: TSM cannot find the PWSCS CPIC support file (ACPOCPIC.DLL) in the current search path. This message only applies when using PWSCS communications.</p> <p>System Action: Connection to server fails.</p> <p>User Response: Shut down Windows and place the directory where this file resides in the DOS path statement.</p>
-----------------	---

ANS1271E	<p>Error Loading WINSOCK.DLL - not in Search Path</p> <p>Explanation: TSM cannot find the Windows Socket support file (WINSOCK.DLL) in the current search path. This message only applies when using TCP/IP communications.</p> <p>System Action: Connection to server fails.</p> <p>User Response: Shut down Windows and place the directory where this file resides in the DOS path statement.</p>
-----------------	--

ANS1274E	<p>Error Loading WINSOCK.DLL</p> <p>Explanation: Error loading the Windows socket support file into memory. This error only applies when using TCP/IP communications.</p> <p>System Action: Connection to server fails.</p> <p>User Response: Because this error is caused by insufficient memory, shut down running applications and retry. If the problem persists, see your system administrator.</p>
-----------------	--

ANS1275E	<p>Error Loading Function(s) from WINSOCK.DLL</p> <p>Explanation: Error loading one or more functions from the Windows socket support file.</p> <p>System Action: Connection to server fails.</p>
-----------------	--

User Response: Since this might possibly be caused by insufficient memory, shut down running applications and retry. If the problem persists, see your system administrator.

ANS1276E**Error Loading ACPOCPIC.DLL**

Explanation: Error loading the PWSCS CPIC support file into memory. This error only applies when using PWSCS communications.

System Action: Connection to server fails.

User Response: Since this might possibly be caused by insufficient memory, shut down running applications and retry. If the problem persists, see your system administrator.

ANS1277E**Error Loading Function(s) from ACPOCPIC.DLL**

Explanation: Error loading one or more functions from the PWSCS CPIC support file. This error only applies when using PWSCS communications.

System Action: Connection to server fails.

User Response: Since this might possibly be caused by insufficient memory, shut down running applications and retry. If the problem persists, see your system administrator.

ANS1290E**NSDW.DLL not found in search path.**

Explanation: TSM cannot find the NS/DOS communications support file (NSDW.DLL) in the current search path. This message only applies when using SNALU6.2 communications.

System Action: Connection to server fails.

User Response: Shut down Windows and place the directory where this file resides in the DOS path statement.

ANS1291E**Error loading NSDW.DLL.**

Explanation: An error occurs while loading the NS/DOS communications support file (NSDW.DLL) into memory. This error only applies when using SNALU6.2 communications.

System Action: Connection to server fails.

User Response: Because this is probably caused by insufficient memory, shut down running applications and retry. If the problem persists, contact your support personnel.

ANS1292E**Error loading one or more functions from NSDW.DLL.**

Explanation: An error occurs while loading one or more functions from the NS/DOS communications support file (NSDW.DLL). This error only applies when using SNALU6.2 communications.

System Action: Connection to server fails.

User Response: Because this is probably caused by insufficient memory, shut down running applications and retry. If the problem persists, contact your support personnel.

ANS1293E **EHNAPPC.DLL not found in search path.**
Explanation: TSM cannot find the Client Access/400 or PC Support/400 communications support file (EHNAPPC.DLL) in the current search path. This message only applies when using 400 APPC communications.
System Action: Connection to server fails.
User Response: Shut down Windows and place the directory where this file resides in the DOS path statement.

ANS1294E **Error loading EHNAPPC.DLL.**
Explanation: An error occurs while loading the Client Access/400 or PC Support/400 communications support file (EHNAPPC.DLL) into memory. This error only applies when using 400 APPC communications.
System Action: Connection to server fails.
User Response: Because this is probably caused by insufficient memory, shut down running applications and retry. If the problem persists, contact your support personnel.

ANS1295E **Error loading one or more functions from EHNAPPC.DLL.**
Explanation: An error occurs while loading one or more functions from the Client Access/400 or PC Support/400 communications support file (EHNAPPC.DLL). This error only applies when using 400 APPC communications.
System Action: Connection to server fails.
User Response: Because this is probably caused by insufficient memory, shut down running applications and retry. If the problem persists, contact your support personnel.

ANS1296E **Error Loading WCPIC32.DLL - not in Search Path**
Explanation: TSM cannot find the Windows SNA client CPIC support file (WCPIC32.DLL) in the current search path. This message only applies when using SNALU6.2 communications.
System Action: Connection to server fails.
User Response: Shut down Windows and place the directory where this file resides in the DOS path statement.

ANS1297E **Error Loading WCPIC32.DLL**
Explanation: Error loading the Windows SNA client CPIC support file into memory. This error only applies when using SNALU6.2 communications.
System Action: Connection to server fails.

User Response: Since this might possibly be caused by insufficient memory, shut down running applications and retry. If the problem persists, contact your system administrator.

ANS1298E **Error Loading Function(s) from WCPIC32.DLL**
Explanation: Error loading one or more functions from the Windows SNA client CPIC support file. This error only applies when using SNALU6.2 communications.
System Action: Connection to server fails.
User Response: Since this might possibly be caused by insufficient memory, shut down running applications and retry. If the problem persists, contact your system administrator.

ANS1299E **Session rejected: SNALU6.2 connection failure. Unable to register as a Windows CPIC application.**
Explanation: An attempt to register the application with the Windows SNA client CPIC implementation failed. This error may occur when the the network subsystem is not ready for network communications or when the version of the Windows SNA client CPIC implementation is not supported. This error only applies when using SNALU6.2 communications.
System Action: Connection to server fails.
User Response: Verify that the network subsystem is ready for network communications and that the version of the Windows SNA client CPIC implementation is supported and retry. If the problem persists, contact your system administrator.

ANS1300E **Unable to reconstruct '': necessary component was not restored.**
Explanation: A subfile component was not received by the client during the restore process.
System Action: Processing stopped.
User Response: Please check error log for more information.

ANS1341E **Delta file '*delta-file-name*' already exists on client cache.**
Explanation: The number defining the correspondence between drive letter or file (domain name) and volume label is not known to the server.
System Action: Processing stopped.
User Response: Report the program error to your service representative.

ANS1342E **Client cache is locked; unable to continue with operation.**
Explanation: The client cache is currently locked by another process.
System Action: Processing stopped.
User Response: Report the program error to your service representative.

ANS1343E	<p>Wrong Key entered; unable to restore the file. Explanation: Key entered does not match the key used for the backed up file. System Action: Processing stopped. User Response: Recollect the key used for backup.</p>
<hr/>	
ANS1344E	<p>Job is running in the background. Cannot prompt for the Key. Explanation: When jobs are run in the background, the client cannot prompt for the key. System Action: Processing stopped. User Response: Run the Job in the foreground.</p>
<hr/>	
ANS1345E	<p>The client cache verification record cannot be located. Explanation: The client cache verification record cannot be located. This record is located based on information made available during product installation. The product must be re-installed in order to update this information correctly. System Action: Processing stopped. User Response: Report the program error to your service representative.</p>
<hr/>	
ANS1351E	<p>Session rejected: All server sessions are currently in use Explanation: TSM has all available sessions in use and cannot accept a new one at this time. System Action: TSM canceled the current operation. User Response: Retry the operation. If the problem continues, see your system administrator to increase the number of concurrently active sessions to the server.</p>
<hr/>	
ANS1352E	<p>Session rejected: Password has expired Explanation: Your TSM password has expired. System Action: TSM canceled the current operation. You are not allowed to connect to the server until the password is updated. User Response: Update your password.</p>
<hr/>	
ANS1353E	<p>Session rejected: Unknown or incorrect ID entered Explanation: The node name you entered is not known by the server, or you are attempting to access a file migrated to a different node. System Action: TSM canceled the current operation. You are not allowed to connect to the server until your node name is registered with the server. If attempting to access a migrated file, your nodename must be the same node which migrated the file. User Response: Ensure that you entered your TSM node name correctly. If yes, see your system administrator. Verify that the server is using closed registration and that your node name is registered with the server.</p>

-
- ANS1354E** **Session rejected: Duplicate ID entered**
Explanation: Another process using this node name is active with the server.
System Action: TSM cannot connect to the server. TSM canceled the current operation.
User Response: If you are running a UNIX-based system, ensure that another process is not active with TSM under the same name. Also, ensure that your node name is unique to the server so that it cannot be used by another person. See your system administrator to identify the owner of that node name.
-
- ANS1355E** **Session rejected: Server disabled**
Explanation: The server is in a disabled state and cannot be accessed for normal activity.
System Action: TSM canceled the current operation.
User Response: Retry the operation after the server returns to an enabled state. If the problem continues, see your system administrator.
-
- ANS1356E** **The server is not configured to allow open registration**
Explanation: No authorization. Registration is required by your system administrator. The server is not configured to allow open registration.
System Action: Session not started.
User Response: You must obtain a TSM node and password from your system administrator.
-
- ANS1357S** **Session rejected: Downlevel client code version**
Explanation: The server version and your client version do not match. The client code is downlevel.
System Action: TSM canceled the current operation.
User Response: See your system administrator to see what version of TSM to run for your location.
-
- ANS1358S** **Session rejected: Downlevel server code version**
Explanation: The server version and your client version do not match. The server code is downlevel.
System Action: TSM canceled the current operation.
User Response: See your system administrator to see what version of TSM to run for your location.
-
- ANS1359E** **Session Rejected: The specified node name is currently in use**
Explanation: The node name you specified is in use on the server.
System Action: Session was not started.
User Response: The server is probably performing a task that prevents your node from establishing a session. Retry later or check with your system administrator.
-

ANS1361E **Session Rejected: The specified node name is currently locked**
Explanation: The node name you specified is currently locked on the server.
System Action: Session was not started.
User Response: Check with your system administrator to find out why your node name is locked.

ANS1362S **SLM LICENSE EXCEEDED: The client licenses for TSM are exceeded. See your system administrator.**
Explanation: Adding a new enrollment will exceed the product license count for TSM.
System Action: Execution of the client enrollment or connection request ends.
User Response: See your system administrator.

ANS1363E **Session Rejected: The server does not have enough memory to allow a connection to be established.**
Explanation: The server does not have enough memory to allow your client to establish a connection with the server.
System Action: Session was not started.
User Response: Retry later or see your system administrator.

ANS1364E **Session Rejected: The server does not have enough recovery log space to allow a connection to be established.**
Explanation: The server ran out of recovery log space.
System Action: Session was not started.
User Response: This error is a temporary problem. Retry later or see your system administrator.

ANS1365E **Session Rejected: The server does not have enough database space to allow a connection to be established.**
Explanation: The server ran out of database space.
System Action: Session was not started.
User Response: See your system administrator.

ANS1366E **Session Rejected: The server has an internal error**
Explanation: The client cannot establish a connection to the server because of an internal server error.
System Action: Session was not started.
User Response: See your system administrator immediately.

ANS1367E	<p>Session Rejected: The server does not allow a signon as a Unicode enabled client</p> <p>Explanation: The client can not establish a connection to the server because of a unicode enabling mismatch between server and client.</p> <p>System Action: Session was not started.</p> <p>User Response: See your system administrator immediately.</p>
ANS1368S	<p>Session Rejected: The server is not licensed for this platform type. See your system administrator.</p> <p>Explanation: The server is not licensed for the requesting client type.</p> <p>System Action: Execution of the client enrollment or connection request ends.</p> <p>User Response: See your system administrator.</p>
ANS1369W	<p>Session Rejected: The session was canceled by the server administrator.</p> <p>Explanation: The server administrator canceled the current client session.</p> <p>System Action: Execution of the client connection request ends.</p> <p>User Response: See your system administrator.</p>
ANS1370E	<p>The user ID entered does not have the correct level of authority to access the client machine.</p> <p>Explanation: The user ID entered cannot access this TSM client.</p> <p>System Action: The TSM operation ends.</p> <p>User Response: Grant authority to this user ID on the TSM server so that it can access this TSM client.</p>
ANS1371E	<p>Unable to reconstruct '' from subfile components.</p> <p>Explanation: An error occurred while reconstructing this file from its subfile components.</p> <p>System Action: Processing stopped.</p> <p>User Response: Please check error log for more information.</p>
ANS1400E	<p>TSM encounters a TLI error</p> <p>Explanation: TSM encounters a TLI error. A more detailed description of the error may be found in the log file. This error only applies when using IPX/SPX communications.</p> <p>System Action: The client terminates.</p> <p>User Response: See your system administrator with the log file.</p>
ANS1401E	<p>Session rejected: IPX/SPX connection failure</p> <p>Explanation: An attempt to connect to the server using IPX/SPX communications failed. The server address is incorrect, or the server is not up, or a system error has occurred. This error only applies when using IPX/SPX communications.</p>

System Action: Session is not established.

User Response: Check your server address and make sure that the server is up and running. Retry the operation, and if the problem continues, shut down the system, reboot and retry the operation. If the problem continues, see your system administrator.

ANS1402E TLI.DLL not found in search path

Explanation: TSM cannot find the TLI DLL in the current search path. This error only applies when using IPX/SPX communications.

System Action: Session is not established.

User Response: Place the directory where this file resides in the path statement. Shut down the system and reboot.

ANS1403E Error loading TLI.DLL

Explanation: An error occurs while loading the TLI.DLL into memory. This error only applies when using IPX/SPX communications.

System Action: Session is not established.

User Response: This error is caused by insufficient memory. Shut down the system and reboot. If the problem continues, see your system administrator.

ANS1404E Error loading one or more functions from the TLI.DLL

Explanation: An error occurs while loading one or more functions from the TLI.DLL file. This error only applies when using IPX/SPX communications.

System Action: Session is not established.

User Response: This error is caused by insufficient memory. Shut down the system and reboot. If the problem continues, see your system administrator.

ANS1450E APPC unable to allocate conversation.

Explanation: The client is unable to allocate an APPC conversation to the server.

System Action: The client terminates.

User Response: Ensure that the partner LU name and transaction program name in the client configuration file (dsm.opt) are correct. See your system administrator to get the proper partner LU name and transaction program name.

ANS1451E APPC deallocate error.

Explanation: TSM receives an incorrect return code from the deallocate verb. This error does not affect the TSM program.

System Action: None.

User Response: None.

ANS1452E APPC missing LU name.

Explanation: A logical unit name is necessary to complete the operation.

System Action: Processing stops.

User Response: Retry the operation using the PARTNERLUNAME option.

ANS1453E **APPC missing TP name.**
Explanation: A transaction program name is necessary to complete the operation.
System Action: Processing stops.
User Response: Retry the operation using the TPNAME option.

ANS1454E **APPC parameter error.**
Explanation: A parameter to an APPC communication call is in error.
System Action: Processing stops.
User Response: This usually indicates that an invalid transaction program name has been given. Check this value and retry.

ANS1455E **APPC product specific error.**
Explanation: TSM detects an error that occurs when making an APPC communication call.
System Action: Processing stops.
User Response: Be sure that LU6.2 is working properly at your installation. Contact your support personnel.

ANS1456E **APPC program error.**
Explanation: An unexpected APPC communication error occurs.
System Action: Processing stops.
User Response: This is a program error. Contact your support personnel.

ANS1457E **APPC program parameter check.**
Explanation: A parameter to an APPC communication call is in error.
System Action: Processing stops.
User Response: An invalid transaction program name has been given. Check this value in the client configuration file (dsm.opt) and retry.

ANS1458E **APPC program state check.**
Explanation: An unexpected APPC communication error occurs.
System Action: Processing stopped.
User Response: This is a program error. Contact your support personnel.

ANS1459E **APPC resource error.**
Explanation: The conversation ends prematurely.
System Action: Processing stops.
User Response: Exit TSM and retry the TSM command.

ANS1460E	APPC security not valid. Explanation: The conversation cannot be allocated because the access security is incorrect. System Action: Processing stops. User Response: Contact your support personnel. information table.
ANS1461E	APPC sync level not supported. Explanation: The conversation cannot continue because the synchronization level of either the local or remote system is not supported. System Action: Processing stops. User Response: TSM defaults to no synchronization level. Contact your system administrator.
ANS1462E	APPC TPN not recognized. Explanation: TSM cannot find the name of the server. System Action: Processing stops. User Response: Ensure that the TPNAME option references the correct server name and that the server is running.
ANS1463E	APPC TP error. Explanation: The server is not responding to the local program's request. System Action: Processing stops. User Response: Ensure that the server is running and retry. Stop and start the local communications program.
ANS1464E	APPC type mismatch. Explanation: An unexpected APPC communication error occurs. System Action: Processing stops. User Response: This is a program error. Contact your support personnel.
ANS1465E	APPC unsuccessful. Explanation: All the sessions for SNA communications have been exhausted. System Action: Processing stops. User Response: Stop and start SNA communications and retry the command.
ANS1466E	APPC unknown error occurred. Explanation: An unexpected APPC communication error occurs. System Action: Processing stops. User Response: Contact your support personnel.

-
- ANS1467E** **APPC insufficient memory.**
Explanation: There is insufficient memory to perform the requested APPC function.
System Action: Processing stops.
User Response: Shut down running applications and retry. If the problem persists, contact your support personnel.
-
- ANS1468E** **The APPC router is not installed.**
Explanation: A connection to the server cannot be established because the Client Access/400 or PC Support/400 router is not installed.
System Action: Connection to server fails.
User Response: Install the Client Access/400 or PC Support/400 router and retry the command.
-
- ANS1469E** **Error processing 'filespace namepath-namefile-name': invalid encryption key**
Explanation: Key entered does not match the key used for the backed up file.
System Action: Processing stopped.
User Response: Recollect the key used for backup.
-
- ANS1470E** **The APPC router installed does not support the Windows API.**
Explanation: A connection to the server cannot be established because a Client Access/400 or PC Support/400 router supporting Windows is not installed.
System Action: Connection to server fails.
User Response: Install the correct version of the Client Access/400 or PC Support/400 router and retry the command.
-
- ANS1471E** **PCSWIN is not loaded.**
Explanation: A connection to the server cannot be established because the Client Access/400 or PC Support/400 program PCSWIN is not loaded.
System Action: Connection to server fails.
User Response: Load PCSWIN and retry the command.
-
- ANS1473E** **Session rejected: TCP/IP connection failure for Shared Memory**
Explanation: An attempt to connect to the local server using the Shared Memory protocol has failed during initial TCP/IP communications. This error can occur if the server is not listening on the correct port, or if the server is down.
System Action: Session rejected. Processing stopped.
User Response: Retry the operation, or wait until the server comes back up and retry the operation. If the problem continues, see your system administrator for further help.
-

ANS1474E **An error occurred using the Shared Memory protocol**
Explanation: An error has occurred while reading or writing data through the Shared Memory communications protocol.
System Action: TSM cannot complete the requested operation.
User Response: Check the trace log for additional information and retry the operation. If the problem continues, see your system administrator for further help.

ANS1475E **Insufficient authority to connect to the shared memory region**
Explanation: The user issuing the command does not have authority to connect to the shared memory segment. When the shared memory segment is created by the server, it will be owned by the effective uid of the server process (dmserv). Only processes running under this uid or root will be allowed to connect to the segment (and thus to the server).
System Action: The session is rejected and processing stops.
User Response: Run the command under the uid of the processing running dmserv, if possible. Otherwise contact your system administrator for further help.

ANS1500E **Module dsmtca not found in secure directory.**
Explanation: TSM cannot find the Trusted Communication Agent module (dsmtca) in the appropriate directory.
System Action: TSM ends.
User Response: Log on as root user, then create a link to dsmtca module in /usr/bin with the command: `ln -s /usr/tivoli/tsm/client/ba/bin/dsmtca /usr/bin/dsmtca`

ANS1501E **Trusted agent execution/owner permissions are invalid**
Explanation: The Trusted Communication Agent execution/owner permissions are invalid.
System Action: TSM ends.
User Response: Have your system administrator check the installation instructions for the client to ensure that the Trusted Communication Agent permissions are set correctly. This error can be caused by installing TSM as a non-root user. For the UNIX platforms that have the installation program (dsm.install), you must run dsm.install while logged in as the root user.

ANS1502E **Access to system function required to run has been denied**
Explanation: The permissions of the Trusted Communication Agent do not allow it to be accessed by the user of the TSM client.
System Action: TSM ends.
User Response: See your system administrator.

-
- ANS1503E** **Valid password not available for server '*server-name*'. The administrator for your system must run TSM and enter the password to store it locally.**
Explanation: The file containing the stored password for the specified server *server-name* is unavailable.
System Action: TSM ends.
User Response: The administrator for your system must set and store a new password.
-
- ANS1504E** **Error starting the Trusted Communication Agent process.**
Explanation: An error has occurred starting the Trusted Communication Agent process; specifically, the fork() function has failed.
System Action: TSM ends.
User Response: Probable system error. If the problem persists, restart the workstation.
-
- ANS1505E** **Trusted Communication Agent has terminated unexpectedly.**
Explanation: The Trusted Communication Agent has terminated unexpectedly.
System Action: TSM ends.
User Response: Check the error log for more information. Retry the activity. If the problem persists, contact your service representative.
-
- ANS1506E** **Trusted Communication Agent received invalid request.**
Explanation: The Trusted Communication Agent has received an unknown request from the TSM client.
System Action: TSM ends.
User Response: Internal error. If the problem recurs, contact your service representative.
-
- ANS1507E** **This action requires TSM administrative authority on this system.**
Explanation: An activity has been attempted that must be performed by the TSM administrator (for example, open registration, filespace delete or password update).
System Action: TSM ends.
User Response: If the activity is required, the administrator for this system must perform it.
-
- ANS1508E** **Error allocating semaphores.**
Explanation: An error has occurred because the semaphores you are attempting to allocate have become insufficient.
System Action: Processing ends.
User Response: Ask your system administrator for assistance, and possibly increase the number of semaphores in your system.
-

ANS1509E	<p>Error setting semaphore value or waiting on semaphore. Explanation: An error has occurred while attempting to set or wait on a semaphore. System Action: Processing ends. User Response: Probable system error. If the problem persists, restart the workstation.</p>
<hr/>	
ANS1510E	<p>Trusted Communications Agent error attaching shared memory. Explanation: An error has occurred while attaching the trusted agent's shared memory. System Action: Return to caller. User Response: Stop application, check shared memory usage and retry the command. Read the tca.log file for the system error number.</p>
<hr/>	
ANS1513E	<p>Invalid trace keyword - '<i>keyword</i>'. Please reenter traceflags. Explanation: A TRACEFLAG option in the user configuration file or on the command line is incorrect. System Action: Tracing was not enabled. User Response: Correct the value. See the entry for TRACEFLAGS in the <i>Trace Facility Guide</i> document for a list of valid trace flags.</p>
<hr/>	
ANS1514E	<p>Invalid trace keyword. Please reenter traceflags. Explanation: A TRACEFLAG option in the user configuration file or on the command line is incorrect. System Action: Tracing was not enabled. User Response: Correct the value. See the entry for TRACEFLAGS in the <i>Trace Facility Guide</i> document for a list of valid trace flags.</p>
<hr/>	
ANS1822S	<p>Option '<i>option-name</i>' is ignored. Processing Continues. Explanation: The specified option in the options file is invalid for this version of the backup client executable. System Action: None. User Response: Either remove this option or ignore the message.</p>
<hr/>	
ANS1823E	<p>Invalid trace keyword - '<i>keyword</i>' Explanation: A TRACEFLAG option in the user configuration file or on the command line is incorrect. System Action: Client program did not initialize or tracing was not enabled in the applet. User Response: Correct the value. See the entry for TRACEFLAGS in the <i>Trace Facility Guide</i> document for a list of valid trace flags.</p>

-
- ANS1824E** **Invalid trace file name (name too long).**
Explanation: A TRACEFILE option in the preferences files used a file name that is too long.
System Action: Client program did not initialize.
User Response: Change the file name used as the TRACEFILE so that it is equal to or less than 255 characters in length.
-
- ANS1825E** **Unable to close trace output file *file-name*.**
Explanation: An error occurred during the closing of a trace output *file-name* (for example, not enough disk space).
System Action: Processing continues.
User Response: Check the options.doc file for a description of possible causes of the error, or see your system administrator.
-
- ANS1826E** **Unable to open trace output file *file-name*.**
Explanation: A TRACEFILE option in the user configuration file or on the command line used a directory path and *file-name* combination to which you do not have write access.
System Action: Client program did not initialize.
User Response: Change the TRACEFILE value so that it is a location to which you have write access.
-
- ANS1827E** **You are editing the file, *file-name*. Please save it and press 'Enter' to continue, or 'q' to exit.**
Explanation: You are editing the specified *file-name*.
System Action: None.
User Response: Save the file and press Enter to continue, or enter 'q' to quit the file.
-
- ANS1828E** **Screen size is too small for using the PICK option.**
Explanation: You cannot use the PICK option on a workstation that has a screen smaller than 20 characters across and 10 lines down.
System Action: TSM did not complete the operation.
User Response: Retry the operation using a workstation that has a screen with the minimum size, or do not use the PICK option.
-
- ANS1830E** **Unable to write to trace file *tracefile*. Tracing disabled.**
Explanation: An error occurred when writing to the specified *tracefile*.
System Action: Tracing is disabled. Processing continues.
User Response: Ensure the device that the *tracefile* access is available and has sufficient space for the tracefile. Retry the command.
-

ANS1831E Password expired. The administrator for this system must run TSM to update the password.

Explanation: The password expired.

System Action: TSM ends.

User Response: The administrator for this system must update the password.

ANS1832S Unable to send generated password using MailProg 'option'

Explanation: TSM cannot send the file containing the generated password to the user ID specified in the MailProg *option*.

System Action: TSM ends.

User Response: Have your service representative check the error log for reasons why the file was not sent to the user ID.

ANS1833S Unable to create 'directory-name' directory for storing passwords

Explanation: TSM cannot create the specified *directory-name*.

System Action: Processing continues.

User Response: Check to see if you have enough disk space and retry the operation. If unsuccessful, see your system administrator.

ANS1834S Unable to write to 'file-name' for storing password

Explanation: TSM cannot write to the specified *file-name*.

System Action: Processing continues.

User Response: Check access permissions and disk space. If unsuccessful, see your system administrator.

ANS1835E PASSWORDACCESS is GENERATE, but password needed for server 'server-name'. Either the password is not stored locally, or it was changed at the server.

Explanation: Either the password is not stored locally, or it was changed at the server.

System Action: TSM prompts you for the password if TSM is running in the foreground.

User Response: If TSM was running as a background process, issue any TSM command from the foreground. Enter the password in answer to the prompt. Then try your background TSM command again.

ANS1836S MailProg file-name failed with return code = value.

Explanation: An error occurred with the specified MailProg *file-name*.

System Action: TSM ends.

User Response: Check the return code for the MailProg *file-name*. See your system administrator if you are unable to resolve the problem.

ANS1837S	File space <i>filespace-name</i> is ignored. Processing continues. Explanation: The specified <i>filespace-name</i> in the system options file is invalid. System Action: TSM attempts to continue the current operation. User Response: Check the file space in the system options file and use a valid file space. Retry the operation.
ANS1838E	Error opening user specified options file '<i>filespace-name</i>' . Explanation: The specified <i>options file-name</i> could not be located or opened. System Action: TSM attempts to open default option file. User Response: Make sure specified option file exists and is valid.
ANS1839E	Cannot read password. Explanation: An error occurred in setting up the input file (for example, the terminal) to be read. System Action: Processing stopped. User Response: Check the attributes of the terminal.
ANS1841I	Attempting to open default options file ... Explanation: TSM is attempting to open the default options file. System Action: Processing continues. User Response: None.
ANS1842S	Session rejected: SNALU6.2 connection failure. CPIC unable to allocate conversation Explanation: TSM client cannot allocate a CPIC conversation to the server. System Action: Processing stopped. User Response: Ensure that the symbolic destination name matches a valid side information table entry in your local communications program.
ANS1843S	Session rejected: SNALU6.2 connection failure. CPIC conversation type mismatch between the client and the server. Explanation: An unexpected CPIC error occurred. There is a CPIC conversation type mismatch between the client and the server. System Action: Processing stopped. User Response: This is a program error. See your service representative.
ANS1844S	Session rejected: SNALU6.2 connection failure. CPIC PIP not specified correctly Explanation: An unexpected CPIC error occurred. The CPIC PIP is not specified correctly. System Action: Processing stopped. User Response: This is a program error. See your service representative.

ANS1845S	<p>Session rejected: SNALU6.2 connection failure. CPIC security not valid</p> <p>Explanation: The conversation cannot be allocated because the CPIC security is not valid.</p> <p>System Action: Processing stopped.</p> <p>User Response: Change the security in the CPIC side information table.</p>
<hr/>	
ANS1846S	<p>Session rejected: SNALU6.2 connection failure. CPIC synchronization level not supported</p> <p>Explanation: The conversation cannot continue because the CPIC synchronization level of either the local or remote system is not supported.</p> <p>System Action: Processing stopped.</p> <p>User Response: TSM defaults to no synchronization level. See your service representative.</p>
<hr/>	
ANS1847S	<p>Session rejected: SNALU6.2 connection failure. CPIC transaction program name not recognized</p> <p>Explanation: CPIC transaction program name not recognized. TSM cannot find the name of the server.</p> <p>System Action: Processing stopped.</p> <p>User Response: Ensure that you have the correct TSM server name listed in your CPIC side information entry and that the server is running.</p>
<hr/>	
ANS1848S	<p>Session rejected: SNALU6.2 connection failure. CPIC transaction program not available.</p> <p>Explanation: CPIC transaction program not available. The server is not responding to the local program's request.</p> <p>System Action: Processing stopped.</p> <p>User Response: Ensure that the server is running and retry the command. Stop and start the local communications program.</p>
<hr/>	
ANS1849S	<p>Session rejected: SNALU6.2 connection failure. CPIC parameter error</p> <p>Explanation: A parameter to a CPIC call was in error.</p> <p>System Action: Processing stopped.</p> <p>User Response: An invalid symbolic destination or invalid transaction program name was given. Check these values and retry the command.</p>
<hr/>	
ANS1850S	<p>Session rejected: SNALU6.2 connection failure. CPIC product-specific error.</p> <p>Explanation: TSM detected a CPIC product-specific error that occurred when making a CPIC call.</p> <p>System Action: Processing stopped.</p> <p>User Response: Ensure that LU6.2 is working properly at your installation. See your system administrator.</p>

ANS1851S	Session rejected: SNALU6.2 connection failure. CPIC program error. Explanation: An unexpected CPIC program error occurred. System Action: Processing stopped. User Response: This is a program error. See your service representative.
ANS1852S	Session rejected: SNALU6.2 connection failure. CPIC resource error Explanation: CPIC resource error. The conversation ended prematurely. System Action: Processing stopped. User Response: Exit TSM and retry the TSM command. API applications should close the session with dsmTerminate.
ANS1853W	Session rejected: SNALU6.2 connection failure. CPIC conversation deallocation error Explanation: CPIC conversation deallocation error. TSM received an incorrect return code from the deallocate verb. This error does not affect the TSM program. System Action: None. User Response: None.
ANS1854S	Session rejected: SNALU6.2 connection failure. CPIC SVC error Explanation: A CPIC SVC error occurred. System Action: Processing stopped. User Response: See your service representative.
ANS1855S	Session rejected: SNALU6.2 connection failure. CPIC conversation has been lost Explanation: The CPIC conversation no longer exists. System Action: Processing stopped. User Response: Retry the TSM command.
ANS1856S	Session rejected: SNALU6.2 connection failure. CPIC program parameter check Explanation: A parameter to a CPIC call was in error. System Action: Processing stopped. User Response: An invalid symbolic destination or invalid transaction program name was given. Check these values and retry the command.
ANS1857S	Session rejected: SNALU6.2 connection failure. CPIC program state check Explanation: CPIC program state check. System Action: Processing stopped. User Response: This is a program error. See your service representative.

ANS1858S **Session rejected: SNALU6.2 connection failure. CPIC session not immediately available**

Explanation: CPIC session not immediately available. All the sessions for SNA communications are in use.

System Action: Processing stopped.

User Response: Stop and start SNA communications and retry the command.

ANS1859S **Session rejected: SNALU6.2 connection failure. CPIC: You must supply an PARTnerlname if no SYMboLicdestination given.**

Explanation: For CPIC, you must supply a PARTnerlname if no SYMboLicdestination is given.

System Action: Processing stopped.

User Response: Retry the operation using an LU name or a symbolic destination name.

ANS1860S **Session rejected: SNALU6.2 connection failure CPIC: You must supply a TPname if no SYMboLicdestination given.**

Explanation: For CPIC, you must supply a TPname if no SYMboLicdestination is given.

System Action: Processing stopped.

User Response: Retry the operation using the TPname option or define the SYMboLicdestination option.

ANS1865E **Session rejected: Named Pipes connection failure.**

Explanation: An attempt to connect to the server using Named Pipes communications failed. This might have occurred if an incorrect NAMEDPIPENAME was specified in the options files or if your system administrator canceled a backup operation.

System Action: Processing stopped.

User Response: Retry the operation, or wait until the server comes back up and retry the operation. Ensure that the value specified on the NAMEDPIPENAME option is the same as the one used by the server. If the problem continues, contact your system administrator for further help.

ANS1056E **Share/network path cannot be resolved. Path does not exist. Specify a destination or restore the directory first.**

Explanation: Trying to restore to a share/network path that can't be resolved. The directory path does not exist. Retry the command and specifying a destination or restore the directory tree first before trying to restore the share point.

System Action: Processing stopped.

User Response: None.

ANS1071E	Invalid domain name entered: 'domain-name' Explanation: You entered an invalid <i>domain-name</i> . System Action: Processing stopped. User Response: Enter a valid drive or file system name (domain).
ANS1072E	Unable to continue operation; Drive 'drive-name' has no volume label. Explanation: The specified <i>drive-name</i> in the domain list does not have a volume label. System Action: Processing stopped. User Response: Use the system format utility to place a unique volume label on all drives on which you intend to run TSM.
ANS1092E	No files matching search criteria were found Explanation: You entered a search pattern or file name that cannot be found in the server database. System Action: Processing stopped. User Response: Ensure that your search pattern is correct, or specify a new search string.
ANS1095I	Specified directory branch structure has been restored Explanation: The specified directory branch was successfully restored. System Action: TSM restored the directory branch. User Response: Continue with normal operations.
ANS1096S	Either an Active Policy Set or a node was not found on the server; Unable to proceed Explanation: Either no Active Policy Set data was found on the server or a fromnode option contained a nodename not found on the server. System Action: Processing stopped. User Response: See your system administrator.
ANS1103E	Invalid management class entered Explanation: You entered an invalid management class. System Action: TSM is unable to do the requested operation. User Response: Retry the operation using a valid management class.
ANS1130E	Unable to continue operation. Drive has no label. Explanation: The selected drive does not have a label. System Action: TSM is unable to do the requested operation without a drive or label entered.

User Response: If the drive is a floppy drive, place a disk with a volume label in it and retry the operation. If the disk is a hard drive, ensure the drive has a volume label, and retry the operation.

ANS1134E **Drive *drive-name* is an invalid drive specification**
Explanation: The specified *drive-name* was found to be invalid; the drive probably has not been defined.
System Action: TSM skips the invalid drive and continues to the next drive.
User Response: Check the invalid drive.

ANS1135E **Drive *drive-name1* is a virtual drive of *drive-name2* Not a valid drive to be backed up**
Explanation: The *drive-name1* was found to be a substitute (SUBST) of another *drive-name2*. It is not available for backup/archive.
System Action: TSM skips the SUBST drive and continues to the next drive.
User Response: None.

ANS1147E **File is temporarily unavailable.**
Explanation: File is temporarily unavailable.
System Action: File skipped.
User Response: Check and see if file is locked by other process. If not, retry the command.

ANS1190E **Symbolic link '*linkname*' to '*target*' was successfully deleted.**
Explanation: Log '*linkname*' cannot be a symbolic link.
System Action: The symbolic link '*linkname*' is deleted, the log is recreated, and processing stops.
User Response: Check the location of the new file. To specify the location of log files, refer to the user's manual for the '*errorlogname*' option, the '*schedlogname*' option, and the '*DSM_LOG*' environmental variable.

ANS1191E **Unable to delete symbolic link '*link*'.**
Explanation: Log '*linkname*' cannot be a symbolic link.
System Action: Processing stops.
User Response: Delete the symbolic link '*linkname*'.

ANS1192E **Specifying the error log '*link*' as a symbolic link is not allowed.**
Explanation: Error log '*linkname*' cannot be a symbolic link.
System Action: The symbolic link '*linkname*' is deleted, the error log is recreated, and processing stops.
User Response: Check the location of the new error log. To specify the location of the error logs, refer to the user's manual for the '*errorlogname*' option and '*DSM_LOG*' environmental variable.

-
- ANS1193E** **Specifying the trace file *'link'* as a symbolic link is not allowed.**
Explanation: Trace file *'linkname'* cannot be a symbolic link.
System Action: The symbolic link *'linkname'* is deleted, the trace file is recreated, and processing stops.
User Response: Specify the trace file location with the *'tracefile'* option.
-
- ANS1194E** **Specifying the schedule log *'link'* as a symbolic link is not allowed.**
Explanation: Schedule log *'linkname'* cannot be a symbolic link.
System Action: The symbolic link *'linkname'* is deleted, the schedule log is recreated, and processing stops.
User Response: Check the location of the new schedule log. To specify the location of the schedule log, refer to the user's manual for the *'schedlogname'* option.
-
- ANS1216E** **Not authorized to run TSM. See the administrator for your system.**
Explanation: The system options file for the server that you are attempting to connect to contains a user entry, a group entry, or both a user and group entry. Your user ID, or group ID, was not found in any of the entries. You are currently not authorized to run TSM to this server.
System Action: TSM initialization fails and the program ends.
User Response: See the TSM administrator for your system, and ask to be added to the user or group list for this server.
-
- ANS1217E** **Server name not found in System Options File**
Explanation: The system options file does not contain the SERVERNAME option.
System Action: TSM initialization fails and the program ends.
User Response: See the TSM administrator for your system, and make sure that the system options file contains the server name.
-
- ANS1218E** **TCPSERVERADDRESS not defined for this server in the System Options File**
Explanation: The TCPSERVERADDRESS for this server is not defined in the server name stanza in the system options file.
System Action: TSM initialization fails and the program ends.
User Response: See the TSM administrator for your system, and make sure that the server to which you are trying to connect, has a valid TCPSERVERADDRESS defined in the system options file.
-
- ANS1219E** **NODENAME cannot be the same as HostName**
Explanation: The NODENAME defined in the options file cannot be the same as the system HostName.
System Action: Initialization fails and the program ends.
User Response: See your system administrator or the root user.
-

ANS1230E	<p>Stale NFS File Handle Explanation: An NFS file system becomes stale. System Action: File system skipped. User Response: Check the NFS mounted filesystem.</p>
<hr/>	
ANS1237E	<p>Server problem. Please see error log. Explanation: This is a server problem. System Action: Processing stopped. User Response: Have your service representative check the error log.</p>
<hr/>	
ANS1238S	<p>Internal Error. Please see error log. Explanation: Server problem. Invalid policy binding. System Action: Processing stopped. User Response: Have your service representative check the error log.</p>
<hr/>	
ANS1256E	<p>Cannot make file/directory Explanation: The directory path for files being restored or retrieved cannot be created. System Action: File skipped. User Response: Ensure that you have the proper authorization to create the directory for file being restored or retrieved. Make sure that you have write access.</p>
<hr/>	
ANS1265E	<p>Encountered bad mount or filesystem, processing stopped. Explanation: The getmnt system call returned an error indication. Error was encountered trying to determine what the mounted file systems are. System Action: Processing stopped. Cannot recover. User Response: There is a bad file system or mount point on your system. Look at file systems and mounts, and correct any errors. If unsuccessful, see your system administrator for more information.</p>
<hr/>	
ANS1266E	<p>Encountered bad mount or filesystem, processing stopped. Explanation: An error was encountered trying to determine what the mounted file systems are. System Action: Processing stopped. Cannot recover. User Response: There is a bad filesystem or mount point on your system. Look at file systems and mounts, and correct any errors. If you used to have an FSM (HSM) file system but then removed HSM from it, make sure that there is no FSM mount for that filesystem; if it is still there then unmount it. If unsuccessful, see your system administrator for more information.</p>

-
- ANS1267E** **The management class for file *file-name* does not allow migration. This file will not be migrated.**
Explanation: The management class for this file does not allow migration
System Action: File is skipped.
User Response: Either have the TSM administrator change the Space Management Technique within the management class to a value other than NONE or change the include/exclude list to specify a management class with the appropriate Space Management Technique value.
-
- ANS1410E** **Unable to access the network path.**
Explanation: The network path cannot be accessed due to a possible network problem.
System Action: The client terminates.
User Response: Ensure that the network is up and the path can be accessed using a system command, and retry the operation.
-
- ANS1411E** **A communication session was dropped.**
Explanation: A communication session was dropped due to a possible network problem.
System Action: The client terminates.
User Response: Ensure that the network is up and retry the operation.
-
- ANS1412E** **Directory or file has bad EA data or inconsistent data.**
Explanation: Directory or file has bad EA data or inconsistent data.
System Action: The client terminates.
User Response: Check failing directory or file for bad EA data. Copy the directory to a new location and retry the operation.
-
- ANS1861E** **Error loading the SNA Services/6000 CPIC routines.**
Explanation: TSM cannot load the SNA Services/6000 driver file. This message only applies when using CPI Communications via SNA Services/6000.
System Action: Connection to the server fails.
User Response: Make sure the SNA Services/6000 CPI Communications library file, '/usr/lib/libcpic.a', exists. This file is installed when SNA Services/6000 was installed. Also, make sure the TSM SNA Services/6000 driver file, dsmsna.drv, exists in the TSM installation directory.
-
- ANS1904E** **The archive description may not contain any wildcard characters like '?' or '*'.**
Explanation: Descriptions for archive files must not contain wildcard characters.
System Action: Processing stopped.
User Response: Enter an archive description that does not contain wildcard characters.
-

ANS1933E **Error accessing file or device 'name'.**
Explanation: An error has occurred while accessing the file or device.
System Action: Backup set operation is not completed.
User Response: Verify that the file or device exists and is accessible.

ANS1934E **Backup set 'name' not found.**
Explanation: The backup set name was not found on the server.
System Action: The backup set operation is not processed.
User Response: Verify that the backup set name is correct.

ANS13375E **Session Rejected: The specified user id is currently locked**
Explanation: The user id you specified is currently locked on the server.
System Action: Session was not started.
User Response: Check with your system administrator to find out why your user id is locked.

8

Command-Line Client Messages (1053–3999)

-
- ANS1053I** Existing filesystem name *filesystem-name* has been renamed to *filesystem-name*
Explanation: The existing filesystem name using the volume label has been renamed to the UNC format naming convention.
System Action: Processing continues.
User Response: None.
-
- ANS1054E** Unable to rename existing filesystem *filesystem-name* to new filesystem *filesystem-name*. **RC=retcode** from cuFSUpd().
Explanation: Unable to rename the existing filesystem name using the volume label to the UNC format naming convention.
System Action: Processing stopped.
User Response: None.
-
- ANS1055I** Trying to rename existing filesystem *filesystem-name* to new filesystem *filesystem-name*, but drive letters do not match, **old=drive-letter, new=drive-letter**.
Ignore the old filesystem and backup to the new filesystem.
Explanation: Trying to rename the existing filesystem name using the volume label to the UNC format naming convention but the drive letters do not match. Leave the existing filesystem alone and create a new filesystem.
System Action: Processing continues.
User Response: None.
-
- ANS1057I** Trying to rename existing filesystem *filesystem-name* to new filesystem *filesystem-name*, but both filesystems exist. **Ignore the old filesystem and backup to the new filesystem.**
Explanation: Trying to rename the existing filesystem name using the volume label to the UNC format naming convention but both filesystems exist. Leave the existing filesystem alone and backup to the new filesystem.
-

System Action: Processing continues.
User Response: None.

ANS1073E **File space correspondence for domain 'domain-name' is not known**
Explanation: The number defining the correspondence between drive letter or file (domain name) and volume label is not known to the server.
System Action: Processing stopped.
User Response: Report the program error to your service representative.

ANS1074I ***** User Abort *****
Explanation: An abort signal to stop an operation was received.
System Action: Processing stopped.
User Response: Continue with normal operations.

ANS1075E ***** Program memory exhausted *****
Explanation: The program has exhausted all available storage.
System Action: Processing stopped.
User Response: Free any unnecessary programs, for example, terminate and stay resident programs (TSRs), that are running and retry the operation. Reducing the scope of queries and the amount of data returned can also solve the problem.

ANS1076E ***** Directory path not found *****
Explanation: You specified an incorrect directory path.
System Action: Processing stopped.
User Response: Correct the syntax specified and retry the operation.

ANS1077E **ARCHMC Keyword is only valid for the ARCHIVE subcommand**
Explanation: You entered an incorrect subcommand for the keyword ARCHMC.
System Action: Processing stopped.
User Response: Correct the command and retry the operation.

ANS1078S ***** Unknown system error *error-code*; program ending *****
Explanation: An unknown and unexpected *error-code* occurred within the client program. This is a programming failure and the client program ends.
System Action: Processing stopped.
User Response: Retry the operation. If the problem continues, see your administrator.

ANS1079E **No file specification entered**
Explanation: You did not enter a file specification as prompted.
System Action: TSM did not continue with the requested operation.
User Response: Enter a file specification to continue.

-
- ANS1080E** **Unable to continue backup; Drive '*drive-name*' has no label.**
Explanation: The specified *drive-name* being backed up does not have a volume label.
System Action: TSM cannot complete the requested operation.
User Response: Use the system format utility to place a unique volume label on this drive and all the drives on which you intend to run TSM.
-
- ANS1081E** **Invalid search file specification '*string*' entered**
Explanation: You entered a file specification or search *string* that contains incorrect characters or contains wildcard characters in the drive specification or file system name.
System Action: Processing stopped.
User Response: Enter a correct file specification as described in the appropriate *Using the Backup-Archive Client* book for the particular operating system.
-
- ANS1082E** **Invalid destination file specification '*file-name*' entered**
Explanation: You entered a destination *file-name* specification that contains incorrect characters or has wildcard characters in the specification.
System Action: Processing stopped.
User Response: Enter a correct file specification as described in the appropriate *Using the Backup-Archive Client* book for the particular operating system.
-
- ANS1083E** **No files have previously been archived for '*filespace-name*'**
Explanation: You tried to retrieve files when no files for the specified drive or file system (*filespace-name*) were previously archived.
System Action: Processing stopped.
User Response: Ensure that the correct drive or file system was specified and that files are archived for you to retrieve.
-
- ANS1084E** **No files have previously been backed up for '*filespace-name*'**
Explanation: You tried to restore files when no files for the specified drive or file system (*filespace-name*) were previously backed up.
System Action: Processing stopped.
User Response: Ensure that the correct drive or file system was specified and that files are backed up for you to restore.
-
- ANS1085E** **No memory available to store Archive Management Class override name**
Explanation: Not enough memory was available for the operation.
System Action: Processing stopped.
User Response: Retry the operation or restart the system with fewer programs in memory.
-

ANS1086E	File not found during Backup, Archive or Migrate processing Explanation: The file being processed for backup, archive or migrate no longer exists on the client. Another process deleted the file before it could be backed up, archived or migrated by TSM. System Action: File skipped. User Response: None.
ANS1087E	Access to the specified file or directory is denied Explanation: Access to the specified file or directory is denied. You tried to read from or write to a file and you do not have access permission for either the file or the directory. System Action: Processing stopped. User Response: Ensure that you specified the correct file or directory name, correct the permissions, or specify a new location.
ANS1088E	File space '<i>filespace-name</i>' does not exist Explanation: The specified file space (domain) is incorrect or does not exist on the machine. System Action: Processing stopped. User Response: Retry the operation specifying an existing domain (drive letter or file system name).
ANS1089E	Destination directory path length exceeds system maximum Explanation: The path name specified plus the path name in the restored file name combine to create a name whose length exceeds the system maximum. System Action: Processing stopped. User Response: Specify a destination path that, when combined, is less than the system maximum.
ANS1090E	Unable to build directory branch; A file exists with the same name as a directory. Failing path was: '<i>path-name</i>'. Explanation: TSM tried to create a directory <i>path-name</i> , but is unable to because a file exists that has the same name as a directory. System Action: Processing stopped. User Response: Remove the file that has the same name as the directory. Refer to the given failing path, and either remove or move the file that caused this problem and restart the restore/retrieve operation.
ANS1091E	Communications error with server during object query Explanation: An unexpected communications error occurred during an object query to the server. System Action: Processing stopped.

User Response: Verify that communications are active between the client and server machines. Server outages, processor outages, and communication controller outages can cause this error.

ANS1093E **Server does not support point-in-time option.**
Explanation: The server to which you are connected, does not support point in time values.
System Action: Processing stopped.
User Response: Enter the command without specifying the point in time option.

ANS1094I **The EXPIRATION option is ignored. Processing continues**
Explanation: The EXPIRATION option on the ARCHIVE command is ignored.
System Action: Processing continues.
User Response: None.

ANS1097E **Unable to read help text**
Explanation: The Help facility cannot read the help text file.
System Action: Processing stopped.
User Response: Make sure the DSM_DIR environment variable points to the correct directory containing the current level of TSM program files.

ANS1098E **Process terminated; Program memory exhausted.**
Explanation: The program used all available storage.
System Action: Processing stopped.
User Response: Free any unnecessary programs (TSRs) that are running, and retry the operation. Reducing the scope of queries and the amount of data returned can also solve the problem.

ANS1099E **File '*filename*' not previously archived**
Explanation: You tried to give access to a file, which is not stored on the server.
System Action: Processing stopped.
User Response: Ensure that the correct filename is specified.

ANS1100E **File '*filename*' not previously backed up**
Explanation: You tried to give access to a file, which is not stored on the server.
System Action: Processing stopped.
User Response: Ensure that the correct filename is specified.

ANS1101S **Internal program error. Failing message value was *value*. Please see your service representative.**
Explanation: An unexpected catastrophic program failure occurred, indicated by *value*.

System Action: Processing stopped.

User Response: Retry the operation. If the problem continues, see your system administrator or service representative.

ANS1102E

Excessive number of command line arguments passed to the program!

Explanation: This command processing routine received more operands than it can use. Query can contain only one file specification. Restore and Retrieve can contain two file specifications. Archive, Delete, and Selective can contain a maximum of 20 file specifications.

System Action: Processing stopped.

User Response: Reduce the number of arguments and retry the operation. For UNIX-based systems, ensure that you do not omit the quotes around pattern matching characters.

ANS1104E

The management class for this file does not have a valid archive copy group. This file will not be archived.

Explanation: The management class for this file does not have an archive copy group specified. This file will not be archived.

System Action: Processing stopped.

User Response: Add a valid archive copy group to the management class, and then retry the operation.

ANS1105E

The management class for this file does not have a valid backup copy group. This file will not be backed up.

Explanation: The management class for this file does not have a backup copy group specified. This file will not be backed up.

System Action: Processing stopped.

User Response: Add a valid backup copy group to the management class, and then retry the operation.

ANS1107E

Invalid option/value: 'option'

Explanation: You specified an incorrect TSM option *option*.

System Action: Processing stopped.

User Response: Specify a correct TSM option as defined in the appropriate *Using the Backup-Archive Client* book for the particular operating system.

ANS1108E

Invalid option (*option*) for the *function* command

Explanation: The *option* option was specified for a command or subcommand (*function*) that cannot make use of that option.

System Action: Processing stopped.

User Response: See the appropriate *Using the Backup-Archive Client* book for your operating system for correct use of the named option.

-
- ANS1110E** **Unable to open Help file** *file-name*
Explanation: The Help facility cannot find the help file *file-name*.
System Action: Processing stopped.
User Response: Ensure that the DSM_DIR environment variable points to the correct directory containing the current level of TSM program files.
-
- ANS1111E** **Unable to get Help file table of contents**
Explanation: The Help facility cannot read the help text file, or the file is corrupted.
System Action: Processing stopped.
User Response: Make sure the DSM_DIR environment variable points to the correct directory containing the current level of TSM program files, and that the files are intact.
-
- ANS1112I** **One or more files will be stored on offline media**
Explanation: For the backup or archive operation, one or more files must be sent to offline storage media (generally tape). The wait time depends on your site's offline storage management policies.
System Action: TSM waits for offline storage media to become available and then continues.
User Response: None.
-
- ANS1113I** **One or more requested files are stored on offline media**
Explanation: For the restore or retrieve operation, one or more files must be recalled from offline storage media (generally tape). The wait time depends on your site's offline storage management policies.
System Action: TSM waits for offline storage media to become available and then continues.
User Response: None.
-
- ANS1114I** **Waiting for mount of offline media.**
Explanation: The server is waiting for the requested media to become available before the operation can continue.
System Action: TSM waits for requested data.
User Response: None.
-
- ANS1115W** **File '*file-namefile-namefile-name*' excluded by Include/Exclude list**
Explanation: You tried to back up or migrate a file (*file-name*) that was specified to be excluded from backup.
System Action: TSM did not back up or migrate the file.
User Response: Specify the file using the Include option and retry the operation.
-

ANS1116E	<p>Unable to read commands entered from keyboard. Exiting... Explanation: Unable to read commands entered from keyboard. TSM cannot process your intended command. System Action: Processing stopped. User Response: Ensure that you are entering a correct command.</p>
<hr/>	
ANS1117E	<p>The PICK and LATEST options are not valid together Explanation: During a restore, PICK and LATEST options cannot be used together. System Action: Processing stopped. User Response: Try again using either the PICK or the LATEST option.</p>
<hr/>	
ANS1118W	<p>Invalid file space number entered. Try again. Explanation: The number that represents a file space was incorrect while you were using the PICK option. System Action: TSM waits for your specification. User Response: Enter a correct file space number.</p>
<hr/>	
ANS1119I	<p>Initiating the removal of '<i>filespace-name</i>' file space. Explanation: Indicates that file space deletion has started on the specified <i>filespace-name</i>. System Action: None. User Response: None.</p>
<hr/>	
ANS1120E	<p>Removal of file space '<i>filespace-name</i>' failed Explanation: Deletion of the specified <i>filespace-name</i> failed. System Action: Processing stopped. User Response: Try again. If the problem continues, see your system administrator to delete the file space for you.</p>
<hr/>	
ANS1121I	<p>Removal of file space '<i>filespace-name</i>' successfully completed. Explanation: TSM successfully deleted the specified <i>filespace-name</i>. System Action: None. User Response: None.</p>
<hr/>	
ANS1122W	<p>File space '<i>filespace-name</i>' does not exist on the server. The file space might have been deleted by another client using your client's node name or an administrator. Explanation: The specified <i>filespace-name</i> does not exist on the server. Your system administrator deleted the file space or another client using your client's node name might have deleted it. System Action: None.</p>

User Response: None.

ANS1123E **The vertical screen dimension is too small to display the Help directory. Increase your window height.**
Explanation: Execution of the HELP command requires space for both the user prompts and at least one line of the HELP directory.
System Action: The help directory is not displayed, and the help command cannot complete.
User Response: Increase the size of your display window to allow more rows of text to be displayed.

ANS1125E **Unmatched Quotes: 'string'**
Explanation: The quotes specified in the pattern are not the same and do not make a set.
System Action: Processing stopped.
User Response: Correct the pattern using matching quotes in the syntax.

ANS1126E **Unable to delete the file space because this node does not have permission to delete archived data and/or backed up file space.**
Explanation: During a delete file space operation, you specified a file space to which your node does not have permission to delete archived data and/or backed up data.
System Action: Delete processing fails.
User Response: See your system administrator.

ANS1127E **Your node does not have permission to delete archived files**
Explanation: Your node is not allowed by the server to delete archived files.
System Action: TSM did not delete the archived files.
User Response: See your system administrator.

ANS1128S **Invalid Management Class assigned to directories. Please see the error log.**
Explanation: An invalid management class was assigned to directories.
System Action: Processing stopped.
User Response: Have your service representative check the error log.

ANS1129S **No backup copy group in the management class used for directories. Please see the error log.**
Explanation: The management class used for directories does not have a backup copy group.
System Action: Processing stopped.
User Response: Have your service representative check the error log.

ANS1132E **'Access rule' Access Rule already defined for node 'node'. Old rule must be deleted before new one can be defined.**
Explanation: You are trying to define authorization for the specified node, which already has authorization defined.
System Action: TSM did not redefine authorization for the specified node.
User Response: Update the authorization, or delete the old rule and define a new one, or use the current authorization.

ANS1133W **An expression might contain a wildcard not enclosed in quotes**
Explanation: TSM cannot process the command because a UNIX shell expands a wildcard expression, for example, asterisk (*) or question mark (?), that has no quotes.
System Action: Command dependent.
User Response: Enclose the wildcard expression in quotes and enter the command.

ANS1136E **Not file owner**
Explanation: The file cannot be backed up because the client is not the file owner.
System Action: TSM skips the file.
User Response: None.

ANS1137W **Invalid Index 'number' skipped.**
Explanation: An incorrect *number* was entered for the Index.
System Action: Processing stopped.
User Response: Correct the Index entry and retry the operation.

ANS1138E **The 'command-name' command must be followed by a subcommand**
Explanation: You entered an incomplete *command-name*.
System Action: Processing stopped.
User Response: Enter the correct syntax of the command and continue.

ANS1139E **'Subcommand-name' is an invalid subcommand for 'command-name'**
Explanation: You entered an incorrect *subcommand-name* for the specified *command-name*.
System Action: Processing stopped.
User Response: Enter the command with a correct subcommand.

ANS1140E **Invalid format for Set Access command.**
Explanation: None.
System Action: Processing stopped.
User Response: Enter the SET ACCESS command using the correct syntax.

ANS1141W	Unknown command - <i>command-name</i> Explanation: You entered an incorrect <i>command-name</i> . System Action: None. User Response: Enter the correct command.
ANS1143E	The DIRSONLY and FILESONLY options are not valid together Explanation: The DIRSONLY and FILESONLY options cannot be used together. System Action: Processing stopped. User Response: Try again using either the DIRSONLY or the FILESONLY option.
ANS1144W	Password authentication not active on server Explanation: None. System Action: Processing stopped. User Response: Because password authentication is turned off on the server, you do not need to update the password.
ANS1145E	Maximum macro nesting level exceeded. Explanation: Too many levels of macro nesting are encountered. System Action: The macro is ignored and an error is returned. User Response: Reduce the level of macro nesting.
ANS1146E	Macro file '<i>file spec</i>' cannot be opened. Explanation: A macro command has been entered that specifies the macro file name shown. However, that file cannot be opened for reading. System Action: The macro is ignored and an error is returned. User Response: Enter the command with the proper macro name.
ANS1148I	'<i>Command-name</i>' command successfully completed Explanation: The specified <i>command-name</i> was successfully completed. System Action: TSM completed the command. User Response: Continue with normal operations.
ANS1149E	No domain available for incremental backup Explanation: An incremental backup was started, but no domain was selected. System Action: Processing stopped. User Response: Choose a domain and restart the incremental backup.
ANS1159E	The specified file is being used by another process Explanation: The specified file is being used by another process. You tried to read from or write to a file that is currently being used by another process. System Action: Processing stopped.

User Response: Ensure that you specified the correct file or directory name, correct the permissions, or specify a new location.

ANS1168E **ERROR: could not create image object.**
Explanation: Creation of the image object failed for one of the following reasons:

- The image command was executed by a non-root user
- Image operations are not supported on the current platform
- The image plugin library was not found.

User Response: Retry the operation after correcting the cause for failure.
System Action: The requested logical volume function is not performed.

ANS1169W **There is no table of contents for *image-name*.**
Explanation: The image item for which a table of contents was requested is either a RAW logical volume or it was backed up without the -TOC option.
System Action: No table of contents is displayed.
User Response: Select another image object for TOC display.

ANS1170W **Invalid selection number entered. Try again.**
Explanation: You entered a number not shown in the list of images. It is either less than one or greater than the highest item number displayed.
System Action: TSM waits for you to enter a valid selection.
User Response: Enter a number from the list or 'Q' to quit.

ANS1177E **Must specify a path for this operation.**
Explanation: A path must be specified for this operation to execute successfully.
System Action: Processing stops.
User Response: Specify a valid path and execute the command again.

ANS1188E **The selected filesystem is managed by HSM, and therefore is not a valid object for image operations**
Explanation: Due to the nature of HSM, image backup is not allowed on managed filesystems.
System Action: The requested logical volume operation is not performed.
User Response: None.

ANS1201E **Unable to build a directory path; a file exists with the same name as a directory.**
Explanation: TSM tried to create a directory path, but is unable to because a file exists that has the same name as a directory.
System Action: Processing stopped.

User Response: Remove the file that has the same name as the directory. Refer to the last restore/retrieve operation and check all directories along the path.

- ANS1220E Server out of resources**
Explanation: The server ran out of resources. A lack of storage or a condition does not allow any new activity.
System Action: TSM canceled the current operation.
User Response: Retry the operation at a later time. If the problem continues, see your system administrator to isolate what resource is unavailable.
-
- ANS1221E Transaction aborted**
Explanation: The current transaction between the server and the client stopped. A server, client, or communication failure cannot be recovered.
System Action: TSM canceled the current operation.
User Response: Retry the operation. If the problem continues, see your system administrator to isolate the problem.
-
- ANS1222E Disk space limit for this process reached**
Explanation: The disk space allocated for the client owner is full.
System Action: Processing stopped.
User Response: Free up disk space and retry the restore or retrieve operation.
-
- ANS1223E File is not compressed; System failure.**
Explanation: A file that was flagged as compressed was not compressed, and the system failed.
System Action: Processing stopped.
User Response: See your system administrator to report this problem. This error is a system failure.
-
- ANS1224E File compressed on a different client machine that has more memory**
Explanation: You are trying to restore a file that was backed up and compressed on another client workstation that had more memory than your client workstation. You cannot restore this file. When the file is restored, it is expanded and your workstation does not have enough memory.
System Action: TSM canceled the operation.
User Response: Obtain a machine with more memory and retry the operation.
-
- ANS1225E Insufficient memory for file compression/expansion**
Explanation: Not enough memory is available to do data compression or expansion. For a restore or retrieve, the file cannot be recalled from the server until more storage is made available. For a backup or archive, try running without compression if storage cannot be made available.
System Action: Processing stopped.
-

User Response: Free up extra storage for the operation to continue, or run the backup or archive process without compression enabled.

ANS1226E

Destination file or directory is write locked

Explanation: The file or directory being restored or retrieved from the server cannot be written to because the destination is write locked. Another operation might have the file open and will not allow it to be updated.

System Action: File skipped.

User Response: Either determine which operation has the file write locked, or restore the file to another name or location.

ANS1227E

Processing stopped; Disk full condition

Explanation: No more files can be restored or retrieved because the destination disk is full.

System Action: Processing stopped.

User Response: Free up disk space, or restore or retrieve the file to another disk.

ANS1228E

Sending of object '*object-nameobject-nameobject-name*' failed

Explanation: The specified file (*object-name*) cannot be sent to the server.

System Action: File skipped.

User Response: Retry the operation. If the problem continues, see your system administrator to isolate the problem through use of the server console.

ANS1231E

No file handles available

Explanation: All file handles for your system are currently in use. No more are available.

System Action: Processing stopped.

User Response: Either free some file handles by ending other processes, or modify your system setup to allow for more files to be open at the same time.

ANS1232E

File exists

Explanation: The file being restored or retrieved exists.

System Action: File is replaced or skipped depending on client options.

User Response: None.

ANS1233E

Invalid file handle passed; System Error.

Explanation: An internal system error occurred. A file operation failed because an invalid file handle was passed.

System Action: Processing stopped.

User Response: Report the problem to your system administrator, and then retry the operation.

ANS1234E	Protocol violation Explanation: A communications protocol error occurred. The communication subsystem is not properly defined or is itself in error. System Action: TSM ended the current operation. User Response: Verify that the communication processes are operating properly, and then retry the operation.
ANS1235E	Unknown system error Explanation: An unknown error occurred. This might be a low-level system or communication error that TSM cannot handle or recover from. System Action: Processing stopped. User Response: Retry the operation. If the problem continues, determine where the problem exists. See your system administrator for further help.
ANS1236E	Unexpected error Explanation: An unexpected error occurred. This might be a low-level system or communication error that TSM cannot handle or recover from. System Action: Processing stopped. User Response: Retry the operation. If the problem continues, determine where the problem exists. See your system administrator for further help.
ANS1241E	File is in use; Write permission denied. Explanation: The current file cannot be opened to write to because it is currently being run by another operation. System Action: File skipped. User Response: Stop the operation that is running the file and retry the operation, or restore or retrieve the file to a different name or directory.
ANS1242E	Too many symbolic links were detected while resolving name Explanation: While trying to resolve the file name, too many symbolic links were found. System Action: File skipped. User Response: Ensure that you do not have a looping symbolic link for the file.
ANS1243E	File name too long Explanation: The file name specified is too long to be handled by TSM. System Action: File is skipped. User Response: See the appropriate <i>Using the Backup-Archive Client</i> book for the particular operating system, for the file names that are handled by TSM.

ANS1244E	<p>File system is locked by system Explanation: File system cannot be accessed because it is locked by the system. System Action: TSM cannot complete the operation. User Response: See your system administrator.</p>
<hr/>	
ANS1245E	<p>Format unknown Explanation: TSM tried to restore or retrieve a file, but it had an unknown format. System Action: File skipped. User Response: See your system administrator.</p>
<hr/>	
ANS1246E	<p>A command-line argument exceeded the maximum length (<i>maximum length</i>) for a single token. Explanation: Command-line arguments may not exceed <i>maximum length</i> characters. System Action: The command is not processed. User Response: Correct the command and retry the operation.</p>
<hr/>	
ANS1247I	<p>Waiting for files from the server... Explanation: Restore request has been sent to the server. The wait time depends on how many files you are restoring. System Action: TSM waits for files to restore from the server. User Response: None.</p>
<hr/>	
ANS1248E	<p>An active restore for the same source file specification exists. Unable to continue with this request. Explanation: Currently, there is an active restore for the same source file specification. Another restore of the same source file specification cannot be started. System Action: The requested restore fails. User Response: Start another restore with a different source file specification.</p>
<hr/>	
ANS1249W	<p>Server cannot restart the last restore request. Do you want to restore without restart or abort the request? Explanation: The restart restore token has expired. The server cannot restart the restore from where it last ended. System Action: Processing stopped; waiting for user intervention. User Response: Retry the request without restart or abort the request.</p>
<hr/>	
ANS1251E	<p>File system/drive not ready Explanation: The file system/drive was not ready for access. System Action: Processing stopped. User Response: Ensure that the drive is available to TSM, and then retry the operation.</p>

ANS1252E	<p>File system/drive is bad. A directory exists that is missing either a '.' or '..' entry. Have your service representative check the error log.</p> <p>Explanation: The drive was not available for access. A directory exists that does not have either a '.' or '..' entry.</p> <p>System Action: Processing stopped.</p> <p>User Response: Ensure that the drive is operational, and then retry the operation. If unsuccessful, have your service representative check the error log.</p>
ANS1253E	<p>File input/output error</p> <p>Explanation: An error was found while reading from or writing to the file.</p> <p>System Action: File or file system is skipped.</p> <p>User Response: Check your system to ensure that it is operating properly. For OS/2, run CHKDSK /F for the failing drive which can be found in dsmerror.log.</p>
ANS1254E	<p>File write error</p> <p>Explanation: An error was found while writing to the file.</p> <p>System Action: File skipped.</p> <p>User Response: Check your system to ensure that it is operating properly.</p>
ANS1255E	<p>File exceeds system/user file limits</p> <p>Explanation: A file being restored or retrieved exceeds system set limits for this user.</p> <p>System Action: File skipped.</p> <p>User Response: Ensure that the system limits are set properly.</p>
ANS1260E	<p>File is being recalled or has been recalled.</p> <p>Explanation: The file is being recalled by another process or has been recalled.</p> <p>System Action: File skipped.</p> <p>User Response: None</p>
ANS1261W	<p>The archive description you specified is the empty string. TSM will use the default description (Archive Date: current date).</p> <p>Explanation: The description option on the archive command may not specify a null string.</p> <p>System Action: Processing continues, and the description option is ignored.</p> <p>User Response: None. Specify at least one character in the description</p>

ANS1262E **The active policy set does not contain any backup copy groups. If you continue with the incremental backup, any currently backed up files are deactivated on the server and assigned the Backup Grace Period.**

Explanation: You tried to back up the files using a policy set that contains no backup management information (the copy group). None of the management classes within the active policy set contain any backup copy groups.

System Action: If you continue with the incremental backup, the workstation file is not backed up, and any backup versions currently residing in data storage are assigned to the backup retention grace period defined for the policy domain. TSM prompts you for a yes or no response.

User Response: Reply yes to accept the Backup Grace Retention Period or no to cancel the operation. If you cancel the operation, you can retry the incremental backup by creating a management class that has a backup copy group and bind the file to that management class in your include-exclude list. If unsuccessful, see your system administrator for more information.

ANS1263E **The active policy set does not contain any backup copy groups. Unable to continue with selective backup.**

Explanation: You tried to do a selective backup and have specified a policy set that does not contain a backup management information (the copy group).

System Action: TSM did not backup the file.

User Response: Create a management class that has a backup copy group, bind the file to that management class in your include-exclude list, and retry the operation. If unsuccessful, see your system administrator for more information.

ANS1264E **The active policy set does not contain any archive copy groups. Unable to continue with archive.**

Explanation: You tried to archive a file or group of files and have specified a policy set that does not contain an archive management information (the copy group).

System Action: TSM did not archive the file.

User Response: Create a management class that has an archive copy group, assign the file to the management class, either through your include-exclude list or with the ARCHMC option, and retry the operation. If unsuccessful, see your system administrator for more information.

ANS1268E **This file has been migrated.**

Explanation: File has been migrated. If files that are hard linked together are migrated then files subsequent to the first one encountered get this.

System Action: File is skipped.

User Response: None.

ANS1269I	File is implicitly excluded. Explanation: You tried to back up or migrate a file that is implicitly excluded. System Action: TSM will not back up or migrate an implicitly excluded file. User Response: None.
ANS1301E	Server detected system error Explanation: The server detected a system error and notified the clients. System Action: Processing stopped. User Response: See your system administrator for further information on server activity.
ANS1302E	No objects on server match query Explanation: No objects on the server match the query operation being performed. System Action: Processing stopped. User Response: Ensure the names are properly entered.
ANS1303E	Client ended transaction Explanation: The client system ended the operation with the server and ended the current transaction. System Action: Processing stopped. User Response: Restart the session.
ANS1304W	Active object not found Explanation: TSM did not find an active object flagged for expiration on the server. The object is marked as expired by another TSM operation. System Action: None. User Response: None.
ANS1305E	No data on server Explanation: TSM tried to do a restore or retrieve on an object that has no data associated with it. System Action: TSM ended the current operation. User Response: See your system administrator to verify the problem. If the problem continues, see your system administrator.
ANS1306E	Bad verifier Explanation: You entered an incorrect password (verifier). System Action: Processing stopped. User Response: Retry the session with the correct password.

ANS1307E **Node in use**
Explanation: The node you are running on is in use by another operation on the server. This might be from another client or from some activity on the server.
System Action: Processing stopped.
User Response: Retry the operation, or see your system administrator to see what other operations are running for your node.

ANS1308E **Expiration date must be greater than today's date**
Explanation: Archive expiration date is too low, the date must be greater than today's date.
System Action: TSM canceled the current operation.
User Response: Retry archiving the file with an expiration date that is higher than today's date.

ANS1309W **Requested data is offline**
Explanation: For the restore or retrieve operation, one or more of the requested files must be recalled from offline storage media (generally tape). The wait time depends on your site's offline storage management policies.
System Action: TSM waits for offline storage media to become available and then continues.
User Response: None.

ANS1310E **Object too large for server limits**
Explanation: The object is too large. The configuration of the server does not have any data storage space that accepts the object.
System Action: File skipped.
User Response: See your system administrator to determine the maximum file (object) size for which your site's server is configured.

ANS1311E **Server out of data storage space**
Explanation: The server does not have any space available to store the object.
System Action: TSM ended the current operation.
User Response: You can take any of the following actions:

- Request the system administrator to add space to the storage pool.
- Set COMPRESSALWAYS=NO and COMPRESSIon=YES in the options file (DSM.OPT). If the file grows during compression, then TSM will resend it uncompressed.
- Turn off disk caching in the disk storage pool, and issue MOVE DATA commands to each disk pool volume to clear out the cached bitfiles.

ANS1312E	Server media mount not possible Explanation: Server media mount not possible. The server timed out waiting for a mount of an offline volume. System Action: File skipped. User Response: Retry later when server volumes can be mounted.
ANS1313E	Size estimate exceeded Explanation: The total amount of data for a backup or archive operation exceeds the estimated size originally sent to the server for allocating data storage space. This happens when many files are growing by large amounts while the backup or archive operation is in session. System Action: Processing stopped. User Response: Retry the operation. If the problem continues, check what other processes are running on the client machine that are generating large amounts of data. Disable those operations while the backup or archive operation is taking place.
ANS1314E	File data currently unavailable on server Explanation: The file data is currently unavailable on the server. A retrieve or restore operation was attempted. Possible causes are: <ul style="list-style-type: none">■ Data was corrupted at the server■ Server found a read error■ File is temporarily involved in a reclaim operation at the server■ Server requested a tape volume that was marked unavailable. System Action: Processing stopped. User Response: Retry the operation. If the problem continues, see your system administrator to determine the problem from the server console or the activity log. Check whether any requests were made for a tape volume that was unavailable. A tape volume may be marked unavailable if prior read errors were encountered or the volume is checked out of the tape library.
ANS1315E	Unexpected Retry request Explanation: Unexpected Retry request. The server found an error while writing data to the server's data storage. System Action: Client retries the operation. User Response: None.
ANS1316E	The server does not have enough recovery log space to continue the current operation Explanation: The server ran out of recovery log space. System Action: TSM ended the current operation. User Response: This error is a temporary problem. Retry later or see your system administrator.

ANS1317E	<p>The server does not have enough database space to continue the current operation</p> <p>Explanation: The server ran out of database space.</p> <p>System Action: TSM ended the current operation.</p> <p>User Response: See your system administrator.</p>
----------	---

ANS1318E	<p>The server does not have enough memory to continue the current operation.</p> <p>Explanation: The server ran out of memory.</p> <p>System Action: TSM ended the current operation.</p> <p>User Response: This is a temporary problem. Retry later or see your system administrator.</p>
----------	--

ANS1320E	<p>The specified file space does not exist on the server. The file space might have been deleted by another client or an administrator.</p> <p>Explanation: The specified file space does not exist on the server. Your system administrator deleted the file space or another client using your client's node name deleted it.</p> <p>System Action: TSM canceled the current operation.</p> <p>User Response: Check the file space name to see if it is correct, and retry the operation.</p>
----------	---

ANS1321S	<p>Open Registration failed because the specified node name is defined in the server</p> <p>Explanation: Open registration failed because a node is defined in the server with the same name.</p> <p>System Action: TSM canceled the current operation.</p> <p>User Response: Retry with another node name.</p>
----------	---

ANS1322S	<p>Open Registration failed because no default domain exists</p> <p>Explanation: Open registration failed because a default policy domain does not exist for you to place your node.</p> <p>System Action: TSM canceled the current operation.</p> <p>User Response: See your system administrator.</p>
----------	---

ANS1323S	<p>Open Registration failed because an invalid node name was specified</p> <p>Explanation: Open registration failed because the specified node name contains invalid characters.</p> <p>System Action: TSM canceled the current operation.</p> <p>User Response: Retry with another node name that does not have any invalid characters.</p>
----------	--

-
- ANS1326S Unexpected Wait For Space from the server**
Explanation: The client received an unexpected Wait For Space message from the server.
System Action: TSM ended the current operation.
User Response: See your system administrator.
-
- ANS1329S Server out of data storage space**
Explanation: The server does not have space available to store the object.
System Action: TSM ended the current operation.
User Response: Report to your system administrator that a storage pool on the server is full.
-
- ANS1330S This node currently has a pending restartable restore session. The requested operation cannot complete until this session either completes or is canceled.**
Explanation: This operation can not be completed because a restartable restore session is pending. The operation is not allowed because the restartable session and the current operation affect the same file space.
System Action: TSM ended the current operation.
User Response: Issue a query restore to see the conflict. Issue the cancel restore command to delete any unneeded restartable restore sessions.
-
- ANS1331E Only a TSM authorized user can perform this Action.**
Explanation: User must be a TSM authorized user to perform this action. User is not password authorized and this action requires authorization.
System Action: Processing stopped.
User Response: User must be root user, or user must be the owner of the executable and the set effective user id bit is set to 'on' ('s' bit).
-
- ANS1334E Restoring a volume mount point to a non-empty directory.**
Explanation: You are trying to restore a volume mount point to a non-empty directory which is not allowed. Volume mount point is not restored.
System Action: Processing continues.
User Response: None.
-
- ANS1335E Importing RSM database files failed. No changes will be in effect.**
Explanation: An error occurred while importing the RSM database files. The database will not be updated.
System Action: Processing stopped.
User Response: Ask your system administrator to check the error log.
-

ANS1336I	<p>RSM service must be restarted for changes to become effective. Explanation: RSM database files have been restored from the server and imported. The RSM service must be restarted for the updates to become effective. System Action: Processing continues. User Response: None.</p>
<hr/>	
ANS1337I	<p>Restarting the RSM service... Explanation: RSM database files have been restored from the server and imported. TSM is about to stop then restart the RSM service. System Action: Processing continues. User Response: None.</p>
<hr/>	
ANS1338I	<p>Restart of the RSM service is completed. Explanation: RSM database files have been restored from the server and imported. TSM has restarted the RSM service on the user's behalf. System Action: Processing continues. User Response: None.</p>
<hr/>	
ANS1339E	<p>Restart of the RSM service failed. Restart the RSM service manually. Explanation: RSM database files have been restored from the TSM server and imported. TSM has tried to restart the RSM service on the user's behalf but has run into a problem. System Action: Processing stopped. User Response: Restart the RSM service manually.</p>
<hr/>	
ANS1340E	<p>Exporting RSM database files failed. No files will be backed up. Explanation: An error occurred while exporting the RSM database files. The database will not be backed up. System Action: Processing stopped. User Response: Ask your system administrator to check the error log.</p>
<hr/>	
ANS1425E	<p>Administrator authority is required to run TSM Backup. Explanation: The user attempting to run the backup client is not an administrator. System Action: The client terminates. User Response: Run the client from an administrative logon.</p>
<hr/>	
ANS1426E	<p>An error occurred creating the Backup Registry Directory structure Explanation: An error occurred while creating the directory structure to the save/replace registry key. System Action: Registry function fails. User Response: See your system administrator.</p>

ANS1427I	Registry Backup function completed successfully. Explanation: Registry backup was successful. System Action: None. User Response: Continue with normal operations.
ANS1428E	Registry Backup function failed. Explanation: An error occurred while backing up the registry. System Action: Registry backup function fails. User Response: See your system administrator.
ANS1429I	Registry Restore function completed successfully. Explanation: Registry Restore was successful. System Action: None. User Response: Continue with normal operations.
ANS1430I	The machine must be rebooted for the changes to take effect Explanation: The machine must be started for the restored registry changes to take effect. System Action: None User Response: Reboot the machine
ANS1431E	Registry Restore Function Failed. Explanation: An error occurred while restoring the registry key(s) from the server. System Action: Registry restore function fails. User Response: See your system administrator.
ANS1432E	Keyword Expected after keyword 'keyword'. Explanation: A registry command was incorrectly entered. System Action: Registry function is not invoked. User Response: Refer to the command reference for this command.
ANS1433E	Extraneous argument 'input' after keyword 'keyword' Explanation: A registry command was incorrectly entered. System Action: Registry function not invoked. User Response: Refer to the command reference for this command.
ANS1434E	Invalid argument 'input' after keyword 'keyword' Explanation: A registry command was incorrectly entered. System Action: Registry function not invoked. User Response: Refer to the command reference for this command.

ANS1435E	<p>An Error Occurred saving the Key. Explanation: The active registry key cannot be saved. System Action: Registry backup operation terminates. User Response: See your system administrator.</p>
<hr/>	
ANS1436E	<p>An Error Occurred replacing the Key. Explanation: The backed up registry key is restored from the server but cannot be made active into the registry. System Action: Current Registry key remains active. User Response: See your system administrator.</p>
<hr/>	
ANS1437I	<p>Event Log Backup function completed successfully. Explanation: Event Log backup was successful. System Action: None. User Response: Continue with normal operations.</p>
<hr/>	
ANS1438E	<p>Event Log Backup function failed. Explanation: An error occurred while backing up the event logs. System Action: Event log backup function fails. User Response: See your system administrator.</p>
<hr/>	
ANS1439I	<p>Event Log Restore function completed successfully. Explanation: Event Log Restore was successful. System Action: None. User Response: Continue with normal operations.</p>
<hr/>	
ANS1440E	<p>Event Log Restore Function Failed. Explanation: An error occurred while restoring the event log(s) from the server. System Action: Event Log Restore function fails. User Response: See your system administrator.</p>
<hr/>	
ANS1441E	<p>Keyword Expected after keyword 'keyword'. Explanation: A event log command was incorrectly entered. System Action: Event Log function is not invoked. User Response: Refer to the command reference for this command.</p>
<hr/>	
ANS1442E	<p>Extraneous argument 'input' after keyword 'keyword' Explanation: A event log command was incorrectly entered. System Action: Event Log function not invoked. User Response: Refer to the command reference for this command.</p>

ANS1443E	Invalid argument 'input' after keyword 'keyword' Explanation: A event log command was incorrectly entered. System Action: Event Log function not invoked. User Response: Refer to the command reference for this command.
ANS1444E	An error occurred creating the Backup Registry Directory structure Explanation: An error occurred while creating the directory structure to the save/replace registry key. System Action: Registry function fails. User Response: See your system administrator.
ANS1447I	Current user does not need to back up the default profile. Explanation: You are currently using the default profile, and there is no need to back it up. System Action: None. User Response: None.
ANS1448E	An error occurred accessing NTFS security information Explanation: An error occurred while attempting to access NTFS security information. System Action: Object will not be processed. User Response: See your system administrator or bypass by using SkipNTSecurity option.
ANS1449E	A required NT privilege is not held Explanation: The user account running TSM does not possess a required NT user right/privilege for performing the current operation. System Action: Object will not be processed. User Response: See your system administrator.
ANS1483I	Schedule log pruning started. Explanation: The schedule log pruning function has begun. System Action: The schedule log is pruned. User Response: None.
ANS1484I	Schedule log pruning finished successfully. Explanation: The schedule log pruning function completed with no errors. System Action: None. User Response: None.

ANS1485E	<p>Schedule log pruning failed. Explanation: The schedule log pruning function failed. System Action: The schedule log pruning function stops. User Response: Retry the command with the tracing turned on to help determine why the pruning function failed.</p>
<hr/>	
ANS1489E	<p>Unable to open the file list input file: 'file-name' Explanation: The file named on the -LISTFILE option could not be opened. System Action: TSM Command not executed. User Response: Make sure the file name is given correctly and can be accessed for reading.</p>
<hr/>	
ANS1490W	<p>File specification 'file-spec' ignored. A file list has already been specified. Explanation: A non-option argument (file specification) was encountered after the -FILELIST has been processed. System Action: The argument is ignored. User Response: You may have either a -FILELIST or explicit file specifications on this command, but not both.</p>
<hr/>	
ANS1491E	<p>Only one -FILELIST option allowed. Explanation: The -FILELIST option may only be specified once per command System Action: The command is not executed. User Response: Enter only one -FILELIST option on the command.</p>
<hr/>	
ANS1492W	<p>File specification 'file-spec' ignored, the FILELIST option is being processed. Explanation: The -FILELIST option is being processed and previously-encountered explicit file specifications were found. System Action: The explicit arguments are ignored. User Response: You may have either a -FILELIST or explicit file specifications on this command, but not both.</p>
<hr/>	
ANS1511W	<p>Invalid Restore session number entered. Try again.</p>
<hr/>	
ANS1512E	<p>Scheduled event 'event' failed. Return code = value. Explanation: The scheduled <i>event</i> did not complete successfully. System Action: Scheduled event failed. User Response: Ensure that your environment is set up correctly. If the problem continues, see your system administrator to correct the problem.</p>
<hr/>	
ANS1802E	<p>Incremental backup of 'file-name' finished with number failure Explanation: The incremental backup of the specified <i>file-name</i> completed with the specified <i>number</i> of failures.</p>

System Action: Processing continues.
User Response: Check the reasons for the failures.

ANS1803E **Archive processing of 'file-space name' finished with failures.**
Explanation: The archive of the specified *file-space name* completed with failures.
System Action: Processing continues.
User Response: Check the reasons for the failures.

ANS1804E **Selective Backup processing of 'file-space name' finished with failures.**
Explanation: The selective backup of the specified *file-space name* completed with failures.
System Action: Processing continues.
User Response: Check the reasons for the failures.

ANS1805E **Unable to restore symbolic link 'file-name'.**
Explanation: The client operating system is not able to create a symbolic link because the link points to a filename that is not given.
System Action: Processing continues.
User Response: Try the restore on a different operating system.

ANS1806W **Size exceeded the maximum file size limit on your system for 'filespace namepath-namefile-name' of 'file-size'.**
Explanation: You tried to restore or retrieve a file that has exceeded the maximum file size limitation on your system.
System Action: TSM cannot restore or retrieve the file.
User Response: Restore or retrieve this file on a system that supports the file size. See your system administrator.

ANS1807E **Unable to recall file from server due to error from recall daemon.**
Explanation: Unable to recall file. The recall daemon reported an error while trying to recall a file. Look in the recall daemon's error log for more information. This can happen if the server is down, the connection is broken, or the file is missing on the server. It is also possible that the migration server in the system option file has been changed to a different server. The recall daemon does not check the system option file for changes once it has started.
System Action: File skipped.
User Response: See if the server is up, and retry. If the problem still exists, look in the error log. Also have the workstation administrator run `dsmreconcile` against the file system and see if the file shows up in the `.SpaceMan/orphan.stubs` file. If system option file has been changed, stop all recall daemons and restart the master recall daemon to pick up the changes.

ANS1808E **Invalid option/value for an interactive session: 'session'**
Explanation: You entered an option that cannot be used during an interactive session.
System Action: Processing stopped.
User Response: Quit out of the interactive session and try the option/value on the command line as you start the interactive session.

ANS1809E **Session is lost; initializing session reopen procedure.**
Explanation: The session with the server has been lost.
System Action: The system will attempt to reestablish session with TSM.
User Response: None.

ANS1810E **TSM session has been reestablished.**
Explanation: The session with the server has been reestablished.
System Action: Processing will now continue.
User Response: None.

ANS1811S **TSM session could not be reestablished.**
Explanation: The session with the server has been lost. Attempts to reestablish the session were unsuccessful. Possible causes include, but are not limited to the following:

- The server has been halted.
- The network connection to the server is down.
- The communication program that TSM is interacting with has encountered some problem.

System Action: Processing is stopped.
User Response: Check network connection to the server. Insure that the TSM server is running. Insure that the communication program underlying TSM is working properly.

ANS1812E **Out of storage**
Explanation: The system ran out of storage resources.
System Action: Processing stopped.
User Response: Free up extra storage to continue, and retry the operation.

ANS1813E **Invalid scheduled command - 'command-name command-name command-name command-name'**
Explanation: You entered a command for schedule that is incorrect.
System Action: Processing stopped.
User Response: Enter the command correctly and retry the operation.

ANS1814E	<p>Unable to start scheduled event 'event' Explanation: Scheduled <i>event</i> was no longer valid on the server. Either the window has elapsed or the schedule has been deleted. System Action: The client scheduler queries the server to obtain the next scheduled event. User Response: If the problem continues, see your system administrator to correct the problem on the server.</p>
ANS1815E	<p>Either the window has elapsed or the schedule has been deleted Explanation: Scheduled event was no longer valid on the server. System Action: The client scheduler queries the server to obtain the next scheduled event. User Response: If the problem continues, see your system administrator to correct the problem on the server.</p>
ANS1816E	<p>Invalid scheduling mode Explanation: The mode entered for the scheduled event was not correct. System Action: Event does not occur. User Response: Enter the correct scheduling mode and retry the operation.</p>
ANS1817E	<p>Schedule function can only be run by a TSM authorized user. Explanation: An attempt to use the schedule function failed because of improper authority. System Action: Processing stopped. User Response: See the TSM authorized user for schedule function information.</p>
ANS1818E	<p>Schedule function not allowed in loop mode. Explanation: The operation cannot be scheduled during a loop mode. System Action: Event does not occur. User Response: Enter the command again without the loop.</p>
ANS1819E	<p>Server cannot register address Explanation: An address for a server was entered that cannot be recorded. System Action: Processing stopped. User Response: Ensure that you have the server specified correctly, and retry the operation.</p>
ANS1820E	<p>Command line options must be preceded by a '-' Explanation: An option was specified without a '-' delimiter. System Action: Processing stopped. User Response: Enter the command again with a dash preceding each option.</p>

ANS1821E **Unable to start POSTSCHEDULECMD/ PRESCHEDULECMD 'command'**
Explanation: The requested action required a new process to be created. Either an option or a schedule "action" that requested an operating system command to be executed was entered.
System Action: Request is ignored.
User Response: Remove the request from the options file or the schedule defined on the server.

ANS1868E **Invalid Management Class 'management-class' found in the Include Exclude file.**
Explanation: The *management-class* included in the Include Exclude file does not exist. See TSM error log for more information.
System Action: Processing continued using the default Management Class.
User Response: Correct the Include Exclude file entry.

ANS1869E **The NDS object requires its parent, or container, to be present before this object can be restored. Try first restoring the parent of this object.**
Explanation: SMS requires the parent of the object (container) to be present before the child or object can be created.
System Action: Processing stops.
User Response: Retry restoring, but at least one level up. For instance, restore 'dir\o=ibm*' instead of 'dir\ou=opl.o=ibm*'.

ANS1872E **Unable to connect to NetWare target service 'server-name'. Make sure the TSA NLM is loaded on the specified machine.**
Explanation: TSM interacts with the Target Service Agent (TSA) and the connection cannot be made to the Netware *server-name*.
System Action: Processing stopped.
User Response: Ensure that the TSA is loaded and retry the TSM command.

ANS1874E **Login denied to NetWare Target Service Agent 'server-name'.**
Explanation: The connection to the Target Service Agent (TSA) requires a NetWare user name and a password. The password you entered at the prompt may be incorrect.
System Action: Processing stopped.
User Response: Retry the TSM command, supplying the correct LAN password.

ANS1875E **Unable to connect to target service. Out of memory.**
Explanation: Not enough memory to connect to the Target Service Agent (TSA).
System Action: Processing stopped.
User Response: Either add memory to the server or free memory by unloading some programs, or by restarting the server.

-
- ANS1876E** **Unable to connect to target service. NetWare SMS return code = *value*.**
Explanation: Unexpected return code *value*.
System Action: Processing stopped.
User Response: See your service representative.
-
- ANS1877E** **The name is too long for TSM to process.**
Explanation: The name was being parsed. The parsing routine detected that TSM cannot process it.
System Action: TSM canceled the current operation.
User Response: See your service representative if this error persists.
-
- ANS1879E** **NetWare NDS error on restore processing: ****object '*nds_objectnds_object*'**
****TSA error '*tsa_error*', *tsa_error_text*****
Explanation: TSM received an unexpected error from the Novell TSA interface.
System Action: Object skipped.
User Response: Report the program error to your service representative.
-
- ANS1880E** **TSA Connect error, NWSMConnectToTargetService '*TSA_Target_Service*'
password file '*password_file*'. Userid = '*NetWare_userid*' failed with cc =
*TSA_ccode***
Explanation: TSM received an unexpected error from the Novell TSA interface while processing the userid and password from NWPWFILE.
System Action: If the failure is a 'Login Denied' the user will be prompted for a Novell NetWare Userid and Password, and a password file will be created.
User Response: The cc is returned from the TSA which belongs to Novell NetWare. If you get cc = FFFDFFD7 'Login Denied', please check the following:
- The user-id has been disabled.
 - The user-id/password is invalid or expired.
 - The user-id has inadequate security access.
 - The user-id has insufficient rights to files and directories.
 - The user-id specified has a login restriction based on time-Of-day.
 - The user-id specified has a Network address restriction.
 - The user-id specified has a login restriction based on number of concurrent connections.
- NetWare is not allowing logins (DISABLE LOGIN was issued at the console).
- If you are unable to determine what is wrong, report the problem to your service representative.
-

ANS1881E **TSM is unable to use NWPWFILE 'password_file' to connect TSA target service 'TSA_Target_Service', the file is corrupted.**
Explanation: TSM could not use the NWPWFILE to connect to Novell TSA interface. The file was corrupted.
System Action: User will be prompted for Novell NetWare Userid and Password, and password file will be created.
User Response: The file can be corrupted via another application or hardware failures. If problem is persistent contact your service representative. A copy of the corrupted password file will be needed. This corrupted file must be preserved before you enter a new userid and password, because TSM will overwrite the corrupted file with correct information.

ANS1882W **Unable to open NWPWFILE 'password_file' for TSA target service 'TSA_Target_Service'.**
Explanation: TSM could not open the NWPWFILE to connect to Novell TSA interface.
System Action: User will be prompted for Novell NetWare Userid and Password, and password file will be created.
User Response: This can be normal if you are using NWPWFILE for the first time and it does not exist. If the file does exist it may be locked and TSM can not read it, determine why the file is locked. If the problem persists, report it to your service representative.

ANS1896I ******* Restored *number* objects *******
Explanation: Indicates the *number* of objects TSM has restored. During a restore session, the running total is periodically printed to the screen of a command line client.
System Action: Continue with restore.
User Response: None.

ANS1897I ******* Retrieved *number* objects *******
Explanation: Indicates the *number* of objects TSM has retrieved. During a retrieve session, the running total is periodically printed to the screen of a command line client.
System Action: Continue with retrieve.
User Response: None.

ANS1898I ******* Processed *count* files *******
Explanation: TSM has processed the specified number of files.
System Action: Processing continues.
User Response: None.

ANS1899I	***** Examined <i>count</i> files ***** Explanation: TSM has examined the specified number of files. System Action: Processing continues. User Response: None.
ANS1900W	The archive description you specified is not unique. Please enter a unique archive description. Explanation: Descriptions for archive files must be unique per archive operation. System Action: Processing stopped. User Response: Enter an archive description that is unique.
ANS1901W	The server needs to do a one-time conversion of your archive data before you can continue. This operation may take a long time, and cannot be canceled once it has started. Are you willing to wait for the conversion to complete? Explanation: The server must do a conversion of the archive data before continuing. The conversion could take a long time, and cannot be canceled once it is started. System Action: Processing stopped; waiting for user intervention. User Response: Answer 'Yes' to start the archive data conversion. If you answer 'No', the current operation will be canceled.
ANS1902I	The archive conversion completed successfully Explanation: The archive conversion completed successfully. System Action: Processing is completed. User Response: None
ANS1903I	Waiting for archive conversion to complete... Explanation: The program is waiting for the archive conversion to complete. System Action: Processing continues. User Response: None
ANS1905E	NetWare SMS error processing '<i>filespace-namepath-namefile-name</i>': <i>error-text</i> Explanation: TSM received an unexpected error from the Novell SMS interface. System Action: Object skipped. User Response: Report the program error to your service representative.
ANS1906I	Destination must be specified for this operation when using FROMNODE. Explanation: The user must specify a destination with a Restore/Retrieve command when using FROMNODE processing. System Action: Processing stopped. User Response: Retry the Restore/Retrieve command with a destination specified.

ANS1912E	An invalid registry hive was specified. Explanation: The specified registry hive is invalid. System Action: Processing stopped. User Response: Correct the command and retry the operation.
ANS1913E	An invalid registry subkey was specified. Explanation: The specified registry subkey is invalid. System Action: Processing stopped. User Response: Correct the command and retry the operation.
ANS1914E	The specified subkey isn't valid for the specified hive. Explanation: The specified registry subkey is invalid for the specified registry hive. System Action: Processing stopped. User Response: Correct the command and retry the operation.
ANS1915E	Too many arguments specified for the BACKUP REGISTRY command. Explanation: Too many arguments were specified for the BACKUP REGISTRY command. System Action: Processing stopped. User Response: Correct the command and retry the operation.
ANS1916E	Too many arguments specified for the RESTORE REGISTRY command. Explanation: Too many arguments were specified for the RESTORE REGISTRY command. System Action: Processing stopped. User Response: Correct the command and retry the operation.
ANS1917E	Too few arguments specified for the BACKUP REGISTRY command. Explanation: Too few arguments were specified for the BACKUP REGISTRY command. System Action: Processing stopped. User Response: Correct the command and retry the operation.
ANS1918E	Too few arguments specified for the RESTORE REGISTRY command. Explanation: Too few arguments were specified for the RESTORE REGISTRY command. System Action: Processing stopped. User Response: Correct the command and retry the operation.

ANS1919E	The specified eventlog is not valid. Explanation: The specified eventlog is not valid. System Action: Processing stopped. User Response: Correct the command and retry the operation.
ANS1920E	Too many arguments specified for the BACKUP EVENTLOG command. Explanation: Too many arguments were specified for the BACKUP EVENTLOG command. System Action: Processing stopped. User Response: Correct the command and retry the operation.
ANS1921E	Too many arguments specified for the RESTORE EVENTLOG command. Explanation: Too many arguments were specified for the RESTORE EVENTLOG command. System Action: Processing stopped. User Response: Correct the command and retry the operation.
ANS1922E	Too few arguments specified for the BACKUP EVENTLOG command. Explanation: Too few arguments were specified for the BACKUP EVENTLOG command. System Action: Processing stopped. User Response: Correct the command and retry the operation.
ANS1923E	Too few arguments specified for the RESTORE EVENTLOG command. Explanation: Too few arguments were specified for the RESTORE EVENTLOG command. System Action: Processing stopped. User Response: Correct the command and retry the operation.
ANS1924E	The specified system object is not valid. Explanation: The specified system object is not valid. System Action: Processing stopped. User Response: Correct the command and retry the operation.
ANS1925E	The specified system object type is not valid. Explanation: The specified system object type is not valid. System Action: Processing stopped. User Response: Correct the command and retry the operation.
ANS1926E	The specified system object type is only valid on Windows NT. Explanation: The specified system object type is only valid on Windows NT. System Action: Processing stopped.

User Response: Correct the command and retry the operation.

ANS1927E **The specified function is not implemented.**
Explanation: The specified function is not implemented.
System Action: Processing stopped.
User Response: Correct the command and retry the operation.

ANS1928E **An error occurred creating the registry staging directory.**
Explanation: An error occurred creating the registry staging directory.
System Action: Processing stopped.
User Response: Correct the command and retry the operation.

ANS1929E **An error saving one or more registry keys.**
Explanation: An error occurred saving one or more registry keys.
System Action: Processing stopped.
User Response: Correct the command and retry the operation.

ANS1930E **An error occurred creating the eventlog staging directory.**
Explanation: An error occurred creating the eventlog staging directory.
System Action: Processing stopped.
User Response: Correct the command and retry the operation.

ANS1931E **An error saving one or more eventlogs.**
Explanation: An error occurred saving one or more eventlogs.
System Action: Processing stopped.
User Response: Correct the command and retry the operation.

ANS1932E **An error replacing one or more registry keys.**
Explanation: An error occurred replacing one or more registry keys.
System Action: Processing stopped.
User Response: Correct the command and retry the operation.

ANS1935E **Too many arguments specified for the BACKUP NTDS command.**
Explanation: Too many arguments were specified for the BACKUP NTDS command.
System Action: Processing stopped.
User Response: Correct the command and retry the operation.

ANS1936E **Not enough arguments specified for the BACKUP NTDS command.**
Explanation: Not enough arguments were specified for the BACKUP NTDS command.

System Action: Processing stopped.
User Response: Correct the command and retry the operation.

ANS1937E **No NTDS server name specified for the BACKUP NTDS command.**
Explanation: No NTDS server name was specified for the BACKUP NTDS command.
System Action: Processing stopped.
User Response: Specify NTDS server name at the command and retry the operation.

ANS1938E **NT Active Directory is not supported in this OS level.**
Explanation: NT Active Directory is not supported in this OS level.
System Action: Processing stopped.
User Response: Install Active Directory before performing backup operation.

ANS1939E **File Replication Service backup failed.**
Explanation: Tivoli Storage Manager encountered an error while backing up files under control of the Windows 2000 File Replication Service
System Action: Processing stopped.
User Response: Examine the Windows 2000 File Replication Service Event log to insure the File Replication Service is operating properly. Restart the service and retry the backup operation.

ANS1940E **File Replication Service restore failed.**
Explanation: Tivoli Storage Manager encountered an error while restoring files under control of the Windows 2000 File Replication Service
System Action: Processing stopped.
User Response: Examine the Windows 2000 File Replication Service Event log to insure the File Replication Service is operating properly. Restart the service and retry the restore operation.

ANS1941E **System Volume backup failed.**
Explanation: Tivoli Storage Manager encountered an error while backing up files of the Windows 2000 System Volume
System Action: Processing stopped.
User Response: Examine the Windows 2000 File Replication Service Event log to insure the system volume was successfully initialized. Restart the service and retry the backup operation

ANS1942E **System Volume restore failed.**
Explanation: Tivoli Storage Manager encountered an error while restoring files under control of the Windows 2000 File Replication Service
System Action: Processing stopped.

User Response: Examine the Windows 2000 File Replication Service Event log to insure the system volume was successfully initialized. Restart the service and retry the restore operation.

ANS2000I **Unable to convert file names because MEMORYEfficientbackup option is ON.**
Explanation: TSM has detected that a local name space change has occurred on the volume that is currently being backed up. TSM would convert the file names to the new name space, but cannot because the option MEMORYEfficientbackup, is on.
System Action: TSM continues to backup using the old name space.
User Response: Edit the dsm.opt file, and set MEMORYEfficientbackup to OFF.

ANS3000I *communication-type* **communications available on port** *port-number*.
Explanation: The specified communications are available on the specified port number.
System Action: None.
User Response: None.

ANS3001E **Error initializing HTTPS communications - Secure HTTP not available.**
Explanation: An error occurred initializing HTTPS communications. Processing will continue, but secure HTTP communications will not be available.
System Action: Processing continues, but secure HTTP communications will not be available.
User Response: Check the console and error logs to determine why secure HTTP communications was unable to start, correct the problem, and restart the client.

ANS3002I **Session started for user** *userid (communication-method address)*.
Explanation: A session was started for the specified user.
System Action: None.
User Response: None.

ANS3003I **Session ended for user** *userid*.
Explanation: A session ended for the specified user.
System Action: None.
User Response: None.

ANS3004E **Session for user** *userid* **terminated - invalid password entered.**
Explanation: A session was terminated for the specified user because an invalid password was entered.
System Action: The session with the specified user is terminated.
User Response: Re-start the remote client and enter the correct password for the specified user.

-
- ANS3005I** **Session for user *userid* terminated - idle for *idle-minutes* minutes.**
Explanation: A session was terminated for the specified user because there was no activity on the session for the specified number of minutes.
System Action: The session with the specified user is terminated.
User Response: Re-start the remote client to begin a new session.
-
- ANS3006I** **Processing request for the TSM Web Client (*ip-address*).**
Explanation: A request for the Web Client is being processed.
System Action: None.
User Response: None.
-
- ANS3007I** **TSM *client-name* terminating - idle for *idle-minutes* minutes.**
Explanation: The specified client is terminating because it has been idle for the specified time. It will be automatically started when it is needed.
System Action: The client program stops.
User Response: None.
-
- ANS1059E** **Two inactive objects with the same image name were selected. Process terminates**
Explanation: You selected more than one inactive version of the same image object (logical volume). The system has no way to decide which you want to restore.
System Action: The requested logical volume restore is not performed.
User Response: Retry the operation, selecting an active version or only one inactive version of the volume you wish to restore.
-
- ANS1060E** **The specified path is not a mounted filesystem**
Explanation: You entered a file system name that does not correspond to a mounted file system for this system. It is possible the file system name is misspelled, or simply that the file system is not currently mounted.
System Action: The requested logical volume operation is not performed.
User Response: Retry the operation, using name of a mounted file system.
-
- ANS1061E** **The specified device corresponds to a mounted file system, use the file system name.**
Explanation: You entered a logical device name that is mapped to a mounted file system. This volume must only be referenced by its file system name.
System Action: The requested logical volume operation is not performed.
User Response: Retry the operation, using the file system name.
-

ANS1062E

Only a single image may be selected when a destination is entered.

Explanation: You selected more than one image object (logical volume) to be restored. You also specified a destination. The system cannot place more than one image into a single destination volume. When more than one object is selected, each must be restored to its original location.

System Action: The requested logical volume restore is not performed.

User Response: Retry the operation, selecting one object to be restored to the given destination, or retry the operation without entering the destination.

9

Enterprise Management (2500–2999)

ANS2600S **Browser trying to establish connection to client; received socket exception:**
exception-name
Explanation: The browser received the exception *exception-name* trying to connect to the TSM client machine.
System Action: The TSM operation ends.
User Response: Determine what might be causing this kind of an exception. Validate that the LAN is up and that you are trying to connect to the correct port number.

ANS2601S **Browser trying to establish connection to client; received unknown host exception:** *exception-name*
Explanation: The browser received the exception *exception-name* trying to connect to the TSM client machine.
System Action: The TSM operation ends.
User Response: Retry the operation. If it persists, determine what might be causing this kind of a problem. Determine if your LAN went down. Determine if you are trying to connect to the correct TSM client machine.

ANS2602S **Browser trying to establish connection to client; received IO exception:**
exception-name
Explanation: The browser received the exception *exception-name* trying to connect to the TSM client machine.
System Action: The TSM operation ends.
User Response: Determine what might be causing this kind of an exception. Retry the problem, and check if the LAN is down.

ANS2603S	<p>Browser trying to establish connection to client; received exception: <i>exception-name</i></p> <p>Explanation: The browser received the exception <i>exception-name</i> trying to connect to the TSM client machine.</p> <p>System Action: The TSM operation ends.</p> <p>User Response: Determine what might be causing this kind of an exception. Determine if the LAN may be down, or if the TSM Client Acceptor Daemon on the TSM machine is up and running.</p>
<hr/>	
ANS2604S	<p>The Web client agent was unable to authenticate with the server.</p> <p>Explanation: The TSM Web client agent was unable to authenticate with the TSM server.</p> <p>System Action: The TSM operation ends.</p> <p>User Response: One possible solution is to run the command line client so that the client password can be re-entered. Another approach is to check the error log on the TSM Web client agent for any relevant messages.</p>
<hr/>	
ANS2605S	<p>Browser could not re-establish connection to client; received protocol error.</p> <p>Explanation: The browser received a protocol error trying to re-connect to the TSM client machine.</p> <p>System Action: The TSM operation ends.</p> <p>User Response: Determine what might be causing this kind of an error. Determine if the TSM browser and the TSM client code might be out of sync.</p>
<hr/>	
ANS2606S	<p>An invalid password was sent to the server.</p> <p>Explanation: The TSM password that was sent to the TSM server was invalid.</p> <p>System Action: The TSM operation ends.</p> <p>User Response: Make sure that you have the correct password. Also make sure that it is valid, for example it is not too short.</p>
<hr/>	
ANS2607S	<p>Browser could not establish connection to client.</p> <p>Explanation: The TSM browser could not connect to the TSM client machine.</p> <p>System Action: The TSM operation ends.</p> <p>User Response: Determine what might be causing this kind of a problem. Determine if the LAN is down, or if the TSM Client Acceptor Daemon on the TSM machine is up and running.</p>
<hr/>	
ANS2608S	<p>Nothing was selected so no operation was performed.</p> <p>Explanation: No object was selected in the GUI for the operation to be performed upon.</p> <p>System Action: The TSM operation ends.</p> <p>User Response: Make sure you select one or more objects (volume, directory or file) in the GUI before clicking on the operation to be performed.</p>

-
- ANS2609S** **TCP/IP communications failure between the browser and the client machine.**
Explanation: This error can occur due to any of the following:
- The LAN connection to the TSM client machine went down.
 - You are trying to connect to the TSM client machine using the wrong port number.
 - The Client Acceptor Daemon on the TSM client machine is not up and running and accepting connections.
- System Action:** The TSM operation ends.
User Response: Retry the operation and make sure the LAN is up. Also check that the port number is correct, and that the Client Acceptor Daemon is started and running on the TSM client machine, and that it is listening on the correct port number.
-
- ANS2610S** **TCP/IP communications failure between the client and the server machine.**
Explanation: This error can occur if the LAN connection between the TSM client machine and the server machine went down.
System Action: The TSM client ends.
User Response: Retry the operation and make sure the LAN is up. Make sure that both the TSM server and the TSM client are up and running.
-
- ANS2611S** **An unknown error occurred in the browser.**
Explanation: An unknown error occurred in the applet running in the browser.
System Action: The TSM operation ends.
User Response: Retry the operation. If the problem persists, turn on tracing and see if the trace to the browser console gives the reason for the error.
-
- ANS2612S** **An unknown error occurred in the client Please check the TSM Error Log for any additional information**
Explanation: An unknown error occurred in the TSM client.
System Action: The TSM client ends.
User Response: Retry the operation. If the problem persists, check the TSM Error Log for any additional information.
-
- ANS2613S** **A protocol error occurred in communications between the browser and the client.**
Explanation: A protocol error happened between the applet running in the browser and the TSM client.
System Action: The TSM operation ends.
User Response: Retry the operation. If the problem persists, turn on tracing and see if the trace to the browser console gives the reason for the error.
-

ANS2614S **A protocol error occurred in communications between the client and the server.**
Explanation: A protocol error happened between the TSM client and the TSM server.
System Action: The TSM client ends.
User Response: Retry the operation. If the problem persists, check the TSM Error Log for any additional information. Verify that you are running the correct applet with the appropriate level of the client.

ANS2615S **The user ID entered does not match the nodename configured on the client machine.**
Explanation: The user ID that was entered is not the same as the nodename on this TSM client.
System Action: The TSM operation ends.
User Response: Verify that the nodename entered is configured correctly on the TSM client.

ANS2617S **The destination directory specified is invalid.**
Explanation: The user specified a destination target directory for restore or retrieve which is invalid.
System Action: The TSM operation ends.
User Response: Retry the operation specifying a valid directory name.

ANS2618S **Browser trying to retrieve resources; received resource exception:**
exception-name
Explanation: The browser received the exception *exception-name* trying to retrieve resources from the TSM client machine.
System Action: The TSM operation ends.
User Response: Verify that the resources are installed correctly on the TSM client machine.

ANS2619S **The Client Acceptor Daemon was unable to start the Remote Client Agent.**
Explanation: The TSM Client Acceptor Daemon could not start the TSM Remote Client Agent.
System Action: The TSM operation ends.
User Response: Check the error log on the TSM Web client agent for any relevant messages. Then correct the problem and retry.

ANS2620W **The expand entire branch operation may take a long time, and cannot be canceled once it has started. Are you willing to wait for the operation to complete?**
Explanation: The expand entire branch operation could take a long time and cannot be canceled once it is started.
System Action: Processing stopped; waiting for user intervention.

User Response: Answer 'Yes' to start the expand entire branch operation. If you answer 'No', the current operation will be canceled.

ANS2621W

This function is not available on the client platform

Explanation: The browser received a request that is not available on the TSM client machine. For example, registry backup and restore are available only on the Windows platform.

System Action: The TSM operation ends.

User Response: Request only those functions that are valid for the platform of the TSM client machine.

ANS2622S

Invalid ID or password submitted.

Explanation: An invalid ID or an invalid password was submitted.

System Action: The TSM operation ends.

User Response: Verify that the ID and the password that you entered are correct. If going to a different server (for example by hyperlinking) then make sure that the different server has the same ID defined with the same password.

ANS2623S

Web Client applet level is out of sync with Web Client agent.

Explanation: The Web Client applet and Web Client agents are at incompatible levels.

System Action: The TSM operation ends.

User Response: Verify that you have the correct level of the applet installed with the client, and that an incorrect level of the applet was not placed in the install directory.

ANS2624E

This operation requires client owner authority.

Explanation: Your user ID has insufficient authority to perform this operation.

System Action: Processing continues, but the user is not allowed to do this operation.

User Response: Do not perform this operation, or get a higher authority level for your user ID in order to perform this operation.

ANS2625E

Node does not support this image operation.

Explanation: Node does not support or is not configured to perform this image operation.

System Action: Processing continues, but the user is not allowed to do this operation.

User Response: Verify whether this image related operation is supported or configured on the target platform.

ANS2641E	<p>Registry Backup failed Explanation: TSM An error occurred while backing up the registry. System Action: Registry backup function fails. User Response: See your system administrator.</p>
<hr/>	
ANS2642E	<p>An Error occurred creating the registry directory structure Explanation: An error occurred while creating the directory structure to save/replace registry key. System Action: Registry function fails. User Response: See your system administrator.</p>
<hr/>	
ANS2643E	<p>An error occurred saving the registry key Explanation: The active registry key cannot be saved. System Action: Registry backup operation terminates. User Response: See your system administrator.</p>
<hr/>	
ANS2650E	<p>An error occurred replacing the registry key Explanation: The backed up registry key(s) were restored from the server but cannot be made active into the registry. System Action: Current Registry key remains active. User Response: See your system administrator.</p>
<hr/>	
ANS2660E	<p>Registry activation failed Explanation: An error occurred while restoring the registry key from the server. System Action: Registry restore function fails. User Response: See your system administrator.</p>
<hr/>	
ANS2662E	<p>Event Log Backup failed Explanation: TSM An error occurred while backing up the event logs. System Action: Event log backup function fails. User Response: See your system administrator.</p>
<hr/>	
ANS2663E	<p>Event Log Restore failed Explanation: An error occurred while restoring the event logs from the server. System Action: Event Log restore function fails. User Response: See your system administrator.</p>
<hr/>	
ANS2664E	<p>An Error occurred creating the event log directory structure Explanation: An error occurred while creating the directory structure to save the event logs. System Action: Event Log function fails. User Response: See your system administrator.</p>

10

Client Event Logging (4000–4999)

-
- ANS4000E** **Error processing 'file-space-name': file space does not exist**
Explanation: The specified file space (domain) is incorrect or does not exist on the workstation. If the message results from the BACKUP IMAGE command with the -MODE=INCREMENTAL option, it may mean that you have entered the name of a raw logical volume. The MODE=INCREMENTAL option is not valid for raw logical volumes.
System Action: Processing stopped.
User Response: Retry the operation specifying an existing domain (drive letter or file system name). If the message resulted from improper use of the MODE=INCREMENTAL option, retry the command, omitting that option.
-
- ANS4001E** **Error processing 'file-space-name': file space not known to server**
Explanation: The number defining the correspondence between drive letter or file (domain name) and volume label is not known to the server.
System Action: Processing stopped.
User Response: Report the program error to your service representative.
-
- ANS4002E** **Error processing 'file-space-name': volume label does not exist**
Explanation: The selected drive does not have a label.
System Action: TSM is unable to do the requested operation without a drive or label entered.
User Response: If the drive is a floppy drive, place a disk with a volume label in it and retry the operation. If the disk is a hard drive, ensure the drive has a volume label, and retry the operation.
-

ANS4003E **Error processing '*filesystem-name*': duplicate volume label encountered**
Explanation: The selected drive has a duplicate volume label. Because TSM uses the volume label to keep track of backup/archive information, it cannot back up or archive files from a drive with a duplicate volume label.
System Action: TSM cannot select the drive.
User Response: If the volume needs to be available to the system, exit TSM, and assign a volume label to the drive. Restart TSM and retry the operation.

ANS4004E **Error processing '*filesystem namepath-namefile-name*': destination file or directory is write locked**
Explanation: The file or directory being restored or retrieved from the server cannot be written to because the destination is write locked. Another operation might have the file open and will not allow it to be updated.
System Action: File skipped.
User Response: Either determine which operation has the file write locked, or restore the file to another name or location.

ANS4005E **Error processing '*filesystem namepath-namefile-name*': file not found**
Explanation: The file being processed for backup, archive or migrate no longer exists on the client. Another process deletes the file before it can be backed up, archived or migrated by TSM.
System Action: File skipped.
User Response: None.

ANS4006E **Error processing '*filesystem namepath-namefile-name*': directory path not found**
Explanation: You have specified a directory that does not exist as shown on your workstation.
System Action: Processing stopped.
User Response: Recheck all spelling and punctuation, particularly the placement of directory delimiters (for example, "\"). Correct the syntax, then retry the operation.

ANS4007E **Error processing '*filesystem namepath-namefile-name*': access to the object is denied**
Explanation: Access to the specified file or directory is denied. You tried to read from or write to a file and you do not have access permission for either the file or the directory.
System Action: Processing stopped.
User Response: Ensure that you specified the correct file or directory name, correct the permissions, or specify a new location.

ANS4008E	Error processing 'filespace namepath-namefile-name': file is temporarily unavailable Explanation: File is temporarily unavailable. System Action: File skipped. User Response: Check and see if file is locked by other process. If not, retry the command.
ANS4009E	Error processing 'filespace namepath-namefile-name': disk full condition Explanation: No more files can be restored or retrieved because the destination disk is full. System Action: Processing stopped. User Response: Free up disk space, or restore or retrieve the file to another disk.
ANS4010E	Error processing 'filespace namepath-namefile-name': stale NFS handle Explanation: An NFS file system becomes stale. System Action: File system skipped. User Response: Check the NFS mounted filesystem.
ANS4011E	Error processing 'filespace namepath-namefile-name': no file handles available Explanation: All file handles for your system are currently in use. No more are available. System Action: Processing stopped. User Response: Either free some file handles by ending other processes, or modify your system setup to allow for more files to be open at the same time.
ANS4012E	Error processing 'filespace namepath-namefile-name': file already exists Explanation: The file being restored or retrieved exists. System Action: File is replaced or skipped depending on client options. User Response: None.
ANS4013E	Error processing 'filespace namepath-namefile-name': invalid file handle Explanation: An internal system error occurred. A file operation failed because an invalid file handle was passed. System Action: Processing stopped. User Response: Report the problem to your system administrator, and then retry the operation.
ANS4014E	Error processing 'filespace namepath-namefile-name': unknown system error (error-code) encountered. Program ending. Explanation: An unknown and unexpected <i>error-code</i> occurred within the client program. This is a programming failure and the client program ends. System Action: Processing stopped.

User Response: Retry the operation. If the problem continues, see your administrator.

ANS4015E **Error processing 'filespace namepath-namefile-name': unexpected error (error-code) encountered**
Explanation: An unexpected error occurred. This might be a low-level system or communication error that TSM cannot handle or recover from.
System Action: Processing stopped.
User Response: Retry the operation. If the problem continues, determine where the problem exists. See your system administrator for further help.

ANS4016E **Error processing 'filespace namepath-namefile-name': file is being executed; write permission denied**
Explanation: The current file cannot be opened to write to because it is currently being run by another operation.
System Action: File skipped.
User Response: Stop the operation that is running the file and retry the operation, or restore or retrieve the file to a different name or directory.

ANS4017E **Error processing 'filespace namepath-namefile-name': too many symbolic links were detected while resolving name**
Explanation: While trying to resolve the file name, too many symbolic links were found.
System Action: File skipped.
User Response: Ensure that you do not have a looping symbolic link for the file.

ANS4018E **Error processing 'filespace namepath-namefile-name': file name too long**
Explanation: The file name specified is too long to be handled by TSM.
System Action: File is skipped.
User Response: See the appropriate *Using the Backup-Archive Client* book for the particular operating system, for the file names that are handled by TSM.

ANS4019E **Error processing 'filespace namepath-namefile-name': file system is locked by system**
Explanation: File system cannot be accessed because it is locked by the system.
System Action: TSM cannot complete the operation.
User Response: See your system administrator.

ANS4020E **Error processing 'filespace namepath-namefile-name': format unknown**
Explanation: TSM tried to restore or retrieve a file, but it had an unknown format.
System Action: File skipped.
User Response: See your system administrator.

ANS4021E	Error processing 'filespace namepath-namefile-name': file system not ready Explanation: The file system/drive was not ready for access. System Action: Processing stopped. User Response: Ensure that the drive is available to TSM, and then retry the operation.
ANS4022E	Error processing 'filespace namepath-namefile-name': file system is invalid Explanation: The drive was not available for access. A directory exists that does not have either a '.' or '..' entry. System Action: Processing stopped. User Response: Ensure that the drive is operational, and then retry the operation. If unsuccessful, have your service representative check the error log.
ANS4023E	Error processing 'filespace namepath-namefile-name': file input/output error Explanation: An error was found while reading from or writing to the file. System Action: File skipped. User Response: Check your system to ensure that it is operating properly. For OS/2, run CHKDSK /F for the failing drive which can be found in dserror.log.
ANS4024E	Error processing 'filespace namepath-namefile-name': file write error Explanation: An error was found while writing to the file. System Action: File skipped. User Response: Check your system to ensure that it is operating properly.
ANS4025E	Error processing 'filespace namepath-namefile-name': file exceeds user or system file limit Explanation: A file being restored or retrieved exceeds system set limits for this user. System Action: File skipped. User Response: Ensure that the system limits are set properly.
ANS4026W	Error processing 'filespace namepath-namefile-name': size of 'file-size' exceeded the maximum file size limit on your system Explanation: You tried to restore or retrieve a file that has exceeded the maximum file size limitation on your system. System Action: TSM cannot restore or retrieve the file. User Response: Restore or retrieve this file on a system that supports the file size. See your system administrator.

ANS4027S **Error processing '*filesystem namepath-namefile-name*': internal program message '*value*' encountered**
Explanation: An unexpected catastrophic program failure occurred, indicated by *value*.
System Action: Processing stopped.
User Response: Retry the operation. If the problem continues, see your system administrator or service representative.

ANS4028E **Error processing '*filesystem namepath-namefile-name*': cannot create file/directory entry**
Explanation: The directory path for files being restored or retrieved cannot be created.
System Action: File skipped.
User Response: Ensure that you have the proper authorization to create the directory for file being restored or retrieved.

ANS4029E **Error processing '*filesystem namepath-namefile-name*': unable to build a directory path; a file exists with the same name as a directory**
Explanation: TSM tried to create a directory path, but is unable to because a file exists that has the same name as a directory.
System Action: Processing stopped.
User Response: Remove the file that has the same name as the directory. Refer to the last restore/retrieve operation and check all directories along the path.

ANS4030E **Error processing '*filesystem namepath-namefile-name*': disk space limit for this process reached**
Explanation: The disk space allocated for the client owner is full.
System Action: Processing stopped.
User Response: Free up disk space and retry the restore or retrieve operation.

ANS4031E **Error processing '*filesystem namepath-namefile-name*': destination directory path length exceeds system maximum**
Explanation: The path name specified plus the path name in the restored file name combine to create a name whose length exceeds the system maximum.
System Action: Processing stopped.
User Response: Specify a destination path that, when combined, is less than the system maximum.

ANS4032E **Error processing '*filesystem namepath-namefile-name*': file is not compressed.**
Explanation: A file that was flagged as compressed was not compressed, and the system failed.
System Action: Processing stopped.

User Response: See your system administrator to report this problem. This error is a system failure.

ANS4033E **Error processing '*filesystem namepath-namefile-name*': file compressed on a different client machine that has more memory**
Explanation: You are trying to restore a file that was backed up and compressed on another client workstation that had more memory than your client workstation. You cannot restore this file. When the file is restored, it is expanded and your workstation does not have enough memory.
System Action: TSM canceled the operation.
User Response: Obtain a machine with more memory and retry the operation.

ANS4034E **Error processing '*filesystem namepath-namefile-name*': unknown system error**
Explanation: An unknown error occurred. This might be a low-level system or communication error that TSM cannot handle or recover from.
System Action: Processing stopped.
User Response: Retry the operation. If the problem continues, determine where the problem exists. See your system administrator for further help.

ANS4035W **File '*filesystem namepath-namefile-name*' currently unavailable on server.**
Explanation: You tried to restore or retrieve a file that is currently not available from the TSM server.
System Action: TSM Cannot restore or retrieve the file.
User Response: Try to restore or retrieve after the file was made available on the server. See your system administrator.

ANS4036E **An error occurred saving the registry key.**
Explanation: The active registry key cannot be saved.
System Action: Registry backup operation terminates.
User Response: See your system administrator.

ANS4037E **File '*file-namefile-namefile-name*' changed during processing. File skipped.**
Explanation: The specified *file-name* was skipped during backup, archive, or migrate because it was changing during the attempt to process it.
System Action: TSM skipped the file.
User Response: If you want the file backed up, archived, or migrated, retry the operation. If it fails, determine why the file is being changed. For more information on backing up, archiving, or migrating changing files, see your system administrator.

ANS4040E **Error processing '*filesystem namepath-namefile-name*': file system *filesystem name* has exceeded its space management quota.**
Explanation: TSM detects that the file system has exceeded its quota. No more data can be migrated out of this file system.

System Action: TSM will not migrate files from this file system.

User Response: Recall some files, or ask the system administrator to increase the quota for this file system.

ANS4041W **Error processing '*filesystem namepath-namefile-name*': Out of free space or inodes in file system to migrate or recall.**

Explanation: The file system is full. No more free space or free inodes are available to be allocated for the transaction file that is needed when a file is being migrated or recalled.

System Action: TSM terminates the current operation for this file system.

User Response: Remove some files in the file system, and then run reconciliation. Retry the operation.

ANS4042E **Object name '*filesystem namepath-namefile-name*' contains one or more unrecognised characters and is not valid.**

Explanation: The filename, directory name, or volume label syntax is incorrect.

System Action: File skipped.

User Response: You need to check the disk for errors.

ANS4900W **Schedule '*schedule name*' has opened a new session with the server.**

Explanation: A scheduled event ended due to a connection failure. The scheduled event had to be restarted outside its normal start-up window to continue the operation.

System Action: Be advised that there are multiple sessions associated with the scheduled event.

User Response: none.

ANS4987E **Error processing '*filesystem namepath-name file-name*': the object is in use by another process**

Explanation: Access to the specified file or directory is denied. You tried to read from or write to a file and you do not have access permission for either the file or the directory.

System Action: Processing stopped.

User Response: Ensure that you specified the correct file or directory name, correct the permissions, or specify a new location.

ANS4988W **File '*filesystem namepath-namefile-name*' is currently unavailable on server and has been skipped.**

Explanation: You tried to restore or retrieve a file that is currently not available from the TSM server.

System Action: TSM cannot restore or retrieve the file.

User Response: Try to restore or retrieve after the file was made available on the server. See your system administrator.

ANS4999E **Unable to log message '*message number*' to server: message too long.**
Explanation: The message text and inserts were too large to send to the server in the available internal buffer.
System Action: Refer to the local client error log for more information
User Response: None.

11

Graphical User Interface Client (5000–5999)

ANS5000W

Unable to update password

Explanation: Intended new password cannot be registered.

System Action: The server did not replace the old password with the new password.

User Response: Update the password again. If unsuccessful, see your system administrator.

ANS5001E

Open registration required. Root user must run TSM to register with server

Explanation: This client must be registered with this server.

System Action: TSM ends.

User Response: The root user must register the client with the server.

ANS5002E

Open registration failed

Explanation: During the change password, update password, or open register dialog, the open registration failed.

System Action: TSM did not register this system.

User Response: Reenter the password, or see your system administrator to register this system.

ANS5003S

Invalid Management Class assigned to directories. Please see the error log.

Explanation: An invalid management class was assigned.

System Action: TSM cannot perform the requested operation.

User Response: Retry the operation using a valid management class. If unsuccessful, have your service representative check the error log.

ANS5004S **No backup copy group in the management class used for directories. Please see the error log.**

Explanation: The management class contained no backup copy group for directories.

System Action: TSM did not complete the backup operation.

User Response: Have your service representative check the error log.

ANS5005W **The policy set does not contain any backup copy groups. If you continue with the incremental backup any currently backed up files will be deactivated on the server and assigned to the Backup Grace Period. Do you wish to continue?**

Explanation: You tried to back up the files using a policy set that contains no backup management information (the copy group).

System Action: If you continue with the incremental backup, any currently backed up files are deactivated on the server and assigned the Backup Grace Period, as defined by your system administrator.

User Response: Change the management class that binds the files, or accept the Backup Grace Period.

ANS5006W **The policy set does not contain any backup copy groups. Unable to continue with backup.**

Explanation: You tried to back up the files using a policy set that contained no backup management information (the copy group).

System Action: TSM did not back up the file(s).

User Response: Change the management class that binds the files, and retry the operation.

ANS5007W **The policy set does not contain any archive copy groups. Unable to continue with archive.**

Explanation: You tried to archive the files using a policy set that contains no archive management information (the copy group).

System Action: TSM did not archive the files.

User Response: Change the management class that binds the files, and retry the operation.

ANS5008W **Incorrect password entered**

Explanation: You entered a password that was incorrect.

System Action: TSM cannot connect to the server without the correct password.

User Response: Reenter the password, or ask your system administrator for the current password.

ANS5009W **New password entries are not the same**

Explanation: During the change password, update password, or open register dialog, the two entries for the new password were not the same.

System Action: The password was not changed on the server.
User Response: Backspace over both of the new passwords and reenter them, ensuring that they match.

ANS5010S **Authentication failed - session not started**
Explanation: You typed an incorrect password four times in a row.
System Action: TSM cannot connect to the server without a correct password.
User Response: Exit and restart TSM if authorized; otherwise, see your system administrator.

ANS5011I **Backup stopped by user**
Explanation: You requested to stop the backup operation.
System Action: Backup stopped.
User Response: Continue with normal operations.

ANS5012E **Server out of backup data storage space**
Explanation: The server ran out of space in its backup data storage.
System Action: TSM cannot complete the requested backup operation. Any files displayed on the lower half of the backup activity panel were successfully backed up.
User Response: See your system administrator.

ANS5013E **Not enough memory for backup operation**
Explanation: TSM cannot allocate memory for the specified backup operation.
System Action: TSM cannot complete the requested operation.
User Response: Close all unneeded applications and retry the operation. Reducing the scope of queries and the amount of data returned might also help, or see your system administrator.

ANS5014I **Backup completed**
Explanation: The backup was completed.
System Action: TSM backed up the files.
User Response: Continue with normal operations.

ANS5015I **Restore stopped by user**
Explanation: You requested to stop the restore operation.

Attention: If you were restoring files with “overwrite” option specified, the file you restored last can be damaged (partially overwritten).
System Action: Restore stopped.
User Response: Continue with normal operations.

ANS5016E	<p>Not enough memory for restore operation Explanation: TSM cannot allocate memory for the requested restore operation. System Action: TSM cannot complete the requested restore operation. User Response: Close all unneeded applications and retry the operation. Reducing the scope of queries and the amount of data returned can also help, or see your system administrator.</p>
<hr/>	
ANS5017I	<p>Restore completed Explanation: A restore was completed. System Action: TSM restored the files. User Response: Continue with normal operations.</p>
<hr/>	
ANS5018E	<p>Not enough memory for archive operation Explanation: TSM cannot allocate memory for the requested archive operation. System Action: TSM cannot complete the archive operation. User Response: Close all unneeded applications and retry the operation. Reducing the scope of queries and the amount of data returned might also help, or see your system administrator.</p>
<hr/>	
ANS5019I	<p>Archive stopped by user Explanation: You requested to stop the archive operation. System Action: Archive stopped. User Response: Continue with normal operations.</p>
<hr/>	
ANS5020E	<p>Server out of archive data storage space Explanation: The server ran out of space in its archive data storage. System Action: TSM cannot complete the requested archive operation. Any files displayed on the lower half of the archive activity panel were successfully archived. User Response: See your system administrator.</p>
<hr/>	
ANS5021I	<p>Archive completed Explanation: An archive was completed. System Action: TSM archived the files. User Response: Continue with normal operations.</p>
<hr/>	
ANS5022I	<p>Retrieve stopped by user Explanation: You requested to stop the retrieve operation.</p> <p>Attention: If you were retrieving files with “overwrite” option specified, the file you retrieved last can be damaged (partially overwritten). System Action: Retrieve stopped. User Response: Continue with normal operations.</p>

ANS5023E	Not enough memory for retrieve operation Explanation: TSM cannot allocate memory for the specified retrieve operation. System Action: TSM cannot complete the requested retrieve operation. User Response: Close all unneeded applications and retry the operation. Reducing the scope of queries and the amount of data returned might also help, or see your system administrator.
ANS5024I	Retrieve completed Explanation: A retrieve was completed. System Action: TSM retrieved the files. User Response: Continue with normal operations.
ANS5025E	The nodename contains invalid characters. Explanation: The specified node name has invalid characters. System Action: TSM canceled the current operation. User Response: Retry with another node name that has valid characters.
ANS5026W	MatchAllChar and MatchOneChar options MUST precede Include/Exclude options Explanation: The MatchAllChar and MatchOneChar options must precede any include-exclude options. System Action: The TSM client ends the current application. User Response: Move the MatchAllChar and MarchOneChar options before any include-exclude options.
ANS5091S	Unexpected Wait_For_Space from the server. Explanation: The client received an unexpected Wait For Space message from the server. System Action: TSM ended the current operation. User Response: See your system administrator.
ANS5092S	Server out of data storage space. Explanation: The server does not have any more space available to store the object. System Action: TSM ended the current operation. User Response: Report to your system administrator that a storage pool on the server is full.
ANS5093S	SLM_LICENSE_EXCEEDED: The client licenses for TSM are exceeded. See your system administrator. Explanation: Adding a new enrollment will exceed the product license count for TSM

System Action: Execution of the client enrollment or connection request ends.
User Response: See your system administrator.

ANS5094E **Session Rejected. Sufficient server memory is not available.**
Explanation: The server does not have enough memory to allow your client to establish a connection with the server.
System Action: Session was not started.
User Response: Retry later or see your system administrator.

ANS5122E **The specified filesystem does not exist on the server. The filesystem might have been deleted by another client or an administrator.**
Explanation: The specified filesystem does not exist on the server. Your administrator might have already deleted the filesystem or another client using your client's node name might have deleted it.
System Action: TSM ends the current operation.
User Response: Retry your operation. The filesystem you were working on should not exist any more. See your system administrator for more information.

ANS5123S **Open registration failed because the specified node name is already defined in the server.**
Explanation: Open registration failed because a node is defined on the server with the same name.
System Action: TSM canceled the current operation.
User Response: Retry with another node name.

ANS5124S **Open registration failed because there is no default domain.**
Explanation: Open registration failed because a default policy domain does not exist for you to place your node.
System Action: TSM canceled the current operation.
User Response: See your system administrator.

ANS5125S **Open registration failed because an invalid node name was specified.**
Explanation: Open registration failed because the specified node name has invalid characters.
System Action: TSM canceled the current operation.
User Response: Retry with another node name that does not have any invalid characters.

ANS5126S **Filespaces with duplicate names are not supported. Please unmount the duplicate filesystem.**
Explanation: The selected filesystem has a duplicate volume label. Because TSM uses the volume label to keep track of backup/archive information, it cannot back up or archive files from a filesystem with a duplicate volume label.

System Action: TSM cannot select the volume.

User Response: If the filespace needs to be available to the system, exit TSM, and assign a volume label to the filespace. Restart TSM and retry the operation. Otherwise, unmount the duplicate filespace.

ANS5127W

File excluded

Explanation: A file cannot be processed because it is explicitly excluded by the include-exclude list defined in the options file.

System Action: TSM did not back up the file.

User Response: Look in the options file for the include-exclude list of that file. Consider changing the options file or see your system administrator.

ANS5128E

No Backup Copy Group

Explanation: The management class for this file did not have a backup copy group specified.

System Action: TSM did not back up the file.

User Response: See your system administrator.

ANS5129E

No Archive Copy Group

Explanation: The management class for this file did not have an archive copy group specified.

System Action: TSM did not archive the file.

User Response: See your system administrator.

ANS5130W

No filespace selected for deletion

Explanation: You requested a deletion operation without selecting a client domain.

System Action: TSM cannot perform a deletion without a domain selected.

User Response: Select the volumes you want to delete and retry the operation.

ANS5131S

Severe error: Filespace not found on server

Explanation: TSM cannot find the requested filespace on the server.

System Action: TSM did not delete the filespace.

User Response: Go to the main window, refresh the filespace, and retry the deletion operation.

ANS5132I

Filespace deletion canceled by user

Explanation: You requested to cancel the filespace deletion operation.

System Action: The filespace deletion operation stopped.

User Response: Continue with normal operations.

ANS5133I	<p>Filespace '<i>filespace</i>' was deleted Explanation: The specified <i>filespace</i> was successfully deleted. System Action: TSM deleted the filespace. User Response: Continue with normal operations.</p>
-----------------	--

ANS5134E	<p>Unable to delete the filespace because this node does not have permission to delete archived data and/or backed up data. Explanation: You tried to delete a filespace that you do not have permission to access. System Action: TSM canceled the operation. User Response: Ensure that you specify the correct filespace, or specify a filespace you have access to.</p>
-----------------	--

ANS5135I	<p>Archive delete stopped by user Explanation: You requested to stop the archive delete operation. System Action: Archive delete stopped. User Response: Continue with normal operations.</p>
-----------------	--

ANS5136E	<p>Not enough memory for archive delete operation Explanation: TSM cannot allocate memory for the specified archive delete operation. System Action: TSM cannot continue with the requested archive delete operation. User Response: Close all unneeded applications and retry the operation. Reducing the scope of queries and the amount of data returned might also help, or see your system administrator.</p>
-----------------	---

ANS5137E	<p>Server out of archive data storage space Explanation: The server reported an out of space condition during an archive delete operation. System Action: TSM cannot continue with the requested operation. All files listed in the lower half of the activity window were deleted. User Response: Report to your system administrator how you received this condition.</p>
-----------------	--

ANS5138I	<p>Archive delete completed Explanation: An archive delete was completed. System Action: TSM deleted the archived files. User Response: Continue with normal operations.</p>
-----------------	---

ANS5139E	<p>Your node does not have permission to delete archived files. Explanation: Your node is not allowed by the server to delete archived files. System Action: TSM did not delete the archived files.</p>
-----------------	--

User Response: See your system administrator.

ANS5145W **Server cannot restart the last restore request. Do you want to restore without restart?**

Explanation: The restart restore token has expired. The server cannot restart the restore from where it last ended.

System Action: Processing stopped; waiting for user intervention.

User Response: Retry the request without restart or abort the request.

ANS5146W **You cannot perform this operation while accessing data for another node. Do you wish to switch back to accessing your own node?**

Explanation: The user cannot perform the selected operation while accessing another users data.

System Action: Processing stopped; waiting for user intervention.

User Response: Answer "Yes" to switch back to accessing the server as the original node.

ANS5148W **The server needs to do a one-time conversion of your archive data before you can continue. This operation may take a long time, and cannot be canceled once it has started. Are you willing to wait for the conversion to complete?**

Explanation: The server must do a conversion of the archive data before continuing. The conversion could take a long time, and cannot be canceled once it is started.

System Action: Processing stopped; waiting for user intervention.

User Response: Answer "Yes" to start the archive data conversion. If you answer "No", the current operation will be canceled.

ANS5149W **The archive description you specified is not unique. Please enter a unique archive description.**

Explanation: Descriptions for archive files must be unique per archive operation.

System Action: Processing stopped.

User Response: Enter an archive description that is unique.

ANS5150E **An active restore for the same source file specification exists. Unable to continue with this request.**

Explanation: Currently, there is an active restore for the same source file specification. Another restore of the same source file specification cannot be started.

System Action: The requested restore fails.

User Response: Start another restore with a different source file specification.

ANS5151S **This node currently has a pending restartable restore session. The requested operation cannot complete until this session either completes or is canceled.**
Explanation: This operation can not be completed because a restartable restore session is pending. The operation is not allowed because the restartable session and the current operation affect the same file space.
System Action: TSM ended the current operation.
User Response: Issue a query restart to see the conflict. Issue the cancel restore command to delete any unneeded restartable restore sessions.

ANS5152S **Session Rejected: The server is not licensed for this platform type. See your system administrator.**
Explanation: The server is not licensed for the requesting client type.
System Action: Execution of the client enrollment or connection request ends.
User Response: See your system administrator.

ANS5153E **Session Rejected: The server does not allow a signon as a Unicode enabled client.**
Explanation: The client cannot establish a connection to the server because of a unicode enabling mismatch between server and client.
System Action: Session was not started.
User Response: See your system administrator immediately.

ANS5154I **File is implicitly excluded**
Explanation: You tried to back up or migrate a file that is implicitly excluded.
System Action: TSM will not back up or migrate an implicitly excluded file.
User Response: None.

ANS5155E **Valid password not available. The TSM administrator for your system must run TSM and enter the password to store it locally.**
Explanation: The file containing the stored password for the specified server *server-name* is unavailable.
System Action: TSM ends.
User Response: The TSM administrator for your system must set and store a new password.

ANS5157E **This action requires TSM administrative authority on this system.**
Explanation: An activity has been attempted that must be performed by the TSM administrator (for example, open registration, filespace delete or password update).
System Action: TSM canceled the operation.
User Response: If the activity is required, the TSM administrator for this system must perform it.

ANS5158S	<p>Filespace deletion is in progress. Try again later. Explanation: The filespace is in the process of being deleted. System Action: TSM cannot complete the requested operation. User Response: Try the operation again later. If the filespace was being deleted, it could take awhile for it to complete. If the problem continues, report the problem to your system administrator.</p>
ANS5160W	<p>Unable to locate resource file <i>filename</i>. Using resource file <i>filename</i> instead. Explanation: TSM cannot locate the specified resource file. The english version of the resource file is being used instead. System Action: Processing continues User Response: Verify that TSM was installed and configured correctly. If the problem continues, report the problem to your system administrator.</p>
ANS5161E	<p>Unable to locate resource file <i>filename</i>. Explanation: TSM cannot locate the specified resource file. System Action: Processing stops. User Response: Verify that TSM was installed and configured correctly. If the problem continues, report the problem to your system administrator.</p>
ANS5162E	<p>Unable to locate file <i>filename</i>. Explanation: TSM cannot locate the specified file. System Action: Processing continues. User Response: Verify that TSM was installed and configured correctly. If the problem continues, report the problem to your system administrator.</p>
ANS5164E	<p>Backing up/Archiving drives with duplicate volume labels is not allowed. Explanation: You tried to back up or archive a drive that has a duplicate volume label. Because TSM uses the volume label to keep track of backup/archive information, it cannot back up or archive files from a drive with a duplicate volume label. System Action: TSM cannot select the drive. User Response: If the volume needs to be available to the system, exit TSM, and assign a volume label to the drive. Restart TSM and retry the operation.</p>
ANS5165E	<p>Drive has no volume label.Backup/Archive not allowed. Explanation: You tried to backup or archive a drive that has no volume label. System Action: TSM rejected the selected drive. User Response: If the drive is a floppy drive, place a disk with a volume label in it and retry the operation. If the disk is a hard drive, ensure the drive has a volume label, and retry the operation.</p>

ANS5166E	<p>An error occurred saving the registry key Explanation: The active registry key cannot be saved. System Action: Registry backup operation terminates. User Response: See your system administrator.</p>
<hr/>	
ANS5169E	<p>The destination path must contain a drive letter Explanation: The entered path must begin with a drive letter, colon, and root slash. System Action: TSM did not continue with the requested operation. User Response: Enter the destination path in the correct format.</p>
<hr/>	
ANS5173E	<p>An error occurred accessing NTFS security information. Explanation: An error occurred while attempting to access NTFS security information. System Action: Object will not be processed. User Response: See your system administrator or bypass by using SkipNTSecurity option.</p>
<hr/>	
ANS5174E	<p>A required NT privilege is not held. Explanation: The user account running TSM does not possess a required NT user right/privilege for performing the current operation. System Action: Object will not be processed. User Response: See your system administrator.</p>
<hr/>	
ANS5176E	<p>Exporting RSM database files failed. No files will be backed up. Explanation: An error occurred while exporting the RSM database files. The database will not be backed up. System Action: Processing stopped. User Response: Ask your system administrator to check the error log.</p>
<hr/>	
ANS5177E	<p>Importing RSM database files failed. No changes will be in effect. Explanation: An error occurred while importing the RSM database files. The database will not be updated. System Action: Processing stopped. User Response: Ask your system administrator to check the error log.</p>
<hr/>	
ANS5178E	<p>Restart of the RSM service failed. Restart the RSM service manually. Explanation: RSM database files have been restored from the TSM server and imported. TSM has tried to restart the RSM service on the user's behalf but has run into a problem. System Action: Processing stopped. User Response: Restart the RSM service manually.</p>

ANS5179E	<p>Restoring a volume mount point to a non-empty directory. Explanation: You are trying to restore a volume mount point to a non-empty directory which is not allowed. Volume mount point is not restored. System Action: Processing continues. User Response: None.</p>
<hr/>	
ANS5181E	<p>Invalid selection; A specific backup set must be selected. Explanation: A selection was made that might result in multiple backup sets being restored at the same time, but restoring multiple backup sets at the same time is not supported. System Action: The backup set restore was not performed. User Response: Select a specific backup set to be restored.</p>
<hr/>	
ANS5182E	<p>Multiple backup sets can not be restored at the same time. Explanation: Multiple backup sets were selected to be restored, but restoring multiple backup sets at the same time is not supported. System Action: The backup set restore was not performed. User Response: Select a specific backup set to be restored.</p>
<hr/>	
ANS5183W	<p>Objects of different types cannot be restored at the same time. Explanation: Restoring objects of different types is not allowed. For example, restoring Backup Sets and regular file objects at the same time is not possible. System Action: No processing takes place. User Response: Select objects of the same type to perform restore operation.</p>
<hr/>	
ANS5187E	<p>Unable to set SHAREAS extended attribute for file: 'pathname' Return code: 'returncode' 'sterror' Reason code: 'reasoncode' Explanation: You must be the file owner or have superuser authority. System Action: File processed without setting attribute. User Response: The attribute must be set manually.</p>
<hr/>	
ANS5188E	<p>Unable to clear SHAREAS extended attribute for file: 'pathname' Return code: 'returncode' 'sterror' Reason code: 'reasoncode' Explanation: You must be the file owner or have superuser authority. System Action: File processed without setting attribute. User Response: The attribute must be set manually.</p>
<hr/>	
ANS5189E	<p>Unable to set APF extended attribute for file: 'pathname' Return code: 'returncode' 'sterror' Reason code: 'reasoncode' Explanation: You must have at least READ access to the BPX.FILEATTR.APF facility class profile and you must be the file owner or have superuser authority. System Action: File processed without setting attribute.</p>

User Response: The attribute must be set manually.

ANS5190E **Unable to set PROGCTL extended attribute for file: 'pathname' Return code: 'returncode' 'sterror' Reason code: 'reasoncode'**
Explanation: You must have at least READ access to the BPX.FILEATTR.PROGCTL facility class profile and you must be the file owner or have superuser authority.
System Action: File processed without setting attribute.
User Response: The attribute must be set manually.

ANS5191E **NT Active Directory is not online. Offline backup is not supported.**
Explanation: NT Active Directory is not online when performing a backup operation. Offline backup is not supported.
System Action: Processing stopped.
User Response: Reboot computer and turn on Active Directory, and try the operation again.

ANS5192E **NT Active Directory is online. Online restore is not supported.**
Explanation: NT Active Directory is online when performing a restore operation. Online restore is not supported.
System Action: Processing stopped.
User Response: Reboot computer and enter Active Directory repair mode, then try the operation again.

ANS5193E **Certificate Services is not online. Offline backup is not supported.**
Explanation: Certificate Services is not online when performing a backup operation. Offline backup is not supported.
System Action: Processing stopped.
User Response: Start Certificate Services and try the operation again.

ANS5194E **Certificate Services is online. Online restore is not supported.**
Explanation: Certificate Services is online when performing a restore operation. Online restore is not supported.
System Action: Processing stopped.
User Response: Stop Certificate Services and try the operation again.

ANS5197E **File Replication Service backup failed.**
Explanation: Tivoli Storage Manager encountered an error while backing up files under control of the Windows 2000 File Replication Service
System Action: Processing stopped.
User Response: Examine the Windows 2000 File Replication Service Event log to insure the File Replication Service is operating properly. Restart the service and retry the backup operation.

ANS5198E	File Replication Service restore failed. Explanation: Tivoli Storage Manager encountered an error while restoring files under control of the Windows 2000 File Replication Service System Action: Processing stopped. User Response: Examine the Windows 2000 File Replication Service Event log to insure the File Replication Service is operating properly. Restart the service and retry the restore operation.
ANS5200E	The specified system object is only valid on Windows NT Explanation: The specified system object type is only valid on Windows NT. System Action: Processing stopped. User Response: Correct the command and retry the operation.
ANS5201E	The specified function is not implemented Explanation: The specified function is not implemented. System Action: Processing stopped. User Response: Correct the command and retry the operation.
ANS5202E	An error occurred creating the registry staging directory Explanation: An error occurred creating the registry staging directory. System Action: Processing stopped. User Response: Correct the command and retry the operation.
ANS5203E	An error saving one or more registry keys Explanation: An error occurred saving one or more registry keys. System Action: Processing stopped. User Response: Correct the command and retry the operation.
ANS5204E	An error occurred creating the eventlog staging directory Explanation: An error occurred creating the eventlog staging directory. System Action: Processing stopped. User Response: Correct the command and retry the operation.
ANS5205E	An error saving one or more eventlogs Explanation: An error occurred saving one or more eventlogs. System Action: Processing stopped. User Response: Correct the command and retry the operation.
ANS5206E	An error replacing one or more registry keys Explanation: An error occurred replacing one or more registry keys. System Action: Processing stopped. User Response: Correct the command and retry the operation.

ANS5207I	<p>The machine must be rebooted for the changes to take effect Explanation: The machine must be started for the changes to take effect. System Action: TSM backed up the files. User Response: Reboot the machine</p>
-----------------	--

ANS5208E	<p>An invalid date was entered. Explanation: An invalid date value was entered. Either the syntax of the value was not correct, or an actual value (for example, "45" for month) was invalid. System Action: Processing stops. User Response: Identify and correct the invalid date value. Refer to the user's guide of the corresponding platform for the correct date syntax.</p>
-----------------	--

ANS5209E	<p>System Volume backup failed. Explanation: Tivoli Storage Manager encountered an error while backing up files of the Windows 2000 System Volume System Action: Processing stopped. User Response: Examine the Windows 2000 File Replication Service Event log to insure the system volume was successfully initialized. Restart the service and retry the backup operation</p>
-----------------	---

ANS5210E	<p>System Volume restore failed. Explanation: Tivoli Storage Manager encountered an error while restoring files of the Windows 2000 System Volume System Action: Processing stopped. User Response: Examine the Windows 2000 File Replication Service Event log to insure the system volume was successfully initialized. Restart the service and retry the restore operation.</p>
-----------------	---

ANS24314T	Back up all network filesystems
------------------	--

ANS24315T	Back up all automounted Loopback Virtual File systems
------------------	--

ANS24316T	Back up all automounted network file systems
------------------	---

12

Macintosh Backup-Archive Client (6000–6999)

ANS6001S

NULL character found in the name of folder/file *filename*.

Explanation: A NULL character was found in the name of a file or folder. Some products place a NULL character in a file name so that the file is sorted alphabetically to the top of a list. TSM cannot backup/restore such files.

System Action: TSM cannot complete the requested operation.

User Response: Remove the NULL character by renaming the file or folder.

13

Windows Backup-Archive Client (7000–7999)

-
- ANS7503W** **Invalid drive entry**
Explanation: An invalid entry is entered on the Drive field.
System Action: TSM prompts you to enter a valid drive letter.
User Response: Enter a valid drive letter or see your system administrator for the correct syntax.
-
- ANS7504W** **Invalid directory entry**
Explanation: An invalid entry is entered on the Directory field.
System Action: TSM prompts you to enter a valid directory.
User Response: Enter a valid directory or see your system administrator for the correct syntax.
-
- ANS7505W** **Invalid filename entry**
Explanation: An invalid entry is entered on the Filename field.
System Action: TSM prompts you to enter a valid file name.
User Response: Enter a valid file name or see your system administrator for the correct syntax.
-
- ANS7506W** **Invalid label entry**
Explanation: An invalid entry is entered on the Label field.
System Action: TSM prompts you to enter a valid volume label.
User Response: Enter a valid volume label or see your system administrator for correct syntax.
-
- ANS7507W** **Invalid node entry**
Explanation: An invalid entry is entered on the Node Name field.
System Action: TSM prompts you to enter a valid node name.
-

User Response: Enter a valid node name or see your system administrator for the correct syntax.

ANS7508W

Duplicate authorization

Explanation: The authorization rule entered by the user is already defined. Duplicate rules are not allowed.

System Action: TSM allows you to enter a different rule.

User Response: Enter an authorization rule that has not been defined yet or cancel defining authorization rules.

ANS7509W

Drive and/or volume label do not exist

Explanation: Either the drive or the volume label or both do not match the existing ones. Rules must be defined on existing drives and volumes.

System Action: TSM prompts you to reenter drives and/or volumes or cancel defining authorization rules.

User Response: Enter an existing drive and volume to define the desire rule.

ANS7521E

Error Loading WINSOCK.DLL - not in Search Path

Explanation: TSM cannot find the Windows Socket support file (WINSOCK.DLL) in the current search path. This message only applies when using TCP/IP communications.

System Action: Connection to server fails.

User Response: Shut down Windows and place the directory where this file resides in the DOS path statement.

ANS7524E

Error Loading WINSOCK.DLL

Explanation: Error loading the Windows socket support file into memory. This error only applies when using TCP/IP communications.

System Action: Connection to server fails.

User Response: Because this error is caused by insufficient memory, shut down running applications and retry. If the problem persists, see your system administrator.

ANS7525E

Error Loading Function(s) from WINSOCK.DLL

Explanation: Error loading one or more functions from the Windows socket support file.

System Action: Connection to server fails.

User Response: Since this might possibly be caused by insufficient memory, shut down running applications and retry. If the problem persists, see your system administrator.

ANS7551E	The source path cannot contain a drive letter Explanation: The entered path cannot contain a drive letter. System Action: TSM did not continue with the requested operation. User Response: Enter the source path in the correct format.
ANS7555E	The destination path must contain a drive letter Explanation: The entered path must begin with a drive letter, colon, and root slash. System Action: TSM did not continue with the requested operation. User Response: Enter the destination path in the correct format.
ANS7556E	An invalid drive letter was entered Explanation: You entered an invalid drive letter. System Action: TSM prompts you for the correct drive ID. User Response: Reenter the drive ID in the correct format.
ANS7560E	Drive <i>drive-name</i> has no volume label. Backup/Archive not allowed. Explanation: The specified <i>drive-name</i> selected cannot be backed up. System Action: TSM rejected the selected drive. User Response: If the drive is a floppy drive, place a disk with a volume label in it and retry the operation. If the disk is a hard drive, ensure the drive has a volume label, and retry the operation.
ANS7561E	Drive <i>drive-name</i> is unavailable Explanation: In an attempt to process a file, the specified <i>drive-name</i> was found unavailable. System Action: TSM did not process the file. User Response: Determine why the drive was not available, make it ready, and retry the operation.
ANS7564E	Backing up/Archiving drives with duplicate volume labels is not allowed. Explanation: You tried to back up or archive a drive that has a duplicate volume label. Because TSM uses the volume label to keep track of backup/archive information, it cannot back up or archive files from a drive with a duplicate volume label. System Action: TSM cannot select the drive. User Response: If the volume needs to be available to the system, exit TSM, and assign a volume label to the drive. Restart TSM and retry the operation.
ANS7641E	Registry Backup failed Explanation: TSM An error occurred while backing up the registry. System Action: Registry backup function fails.

User Response: See you system administrator.

ANS7642E **An Error occurred creating the registry directory structure**
Explanation: An error occurred while creating the directory structure to save/replace registry key.
System Action: Registry function fails.
User Response: See you system administrator.

ANS7643E **An error occurred saving the registry key**
Explanation: The active registry key cannot be saved.
System Action: Registry backup operation terminates.
User Response: See your system administrator.

ANS7650E **An error occurred replacing the registry key**
Explanation: The backed up registry key(s) were restored from the server but cannot be made active into the registry.
System Action: Current Registry key remains active.
User Response: See your system administrator.

ANS7660E **Registry activation failed**
Explanation: An error occurred while restoring the registry key from the server.
System Action: Registry restore function fails.
User Response: See your system administrator.

ANS7701E **Create directory failed**
Explanation: The specified new directory cannot be created.
System Action: Specify another directory name.
User Response: See your system administrator.

ANS7730E **Event Log Backup failed**
Explanation: An error occurred while backing up the event logs.
System Action: Event log backup function fails.
User Response: See your system administrator.

ANS7731E **Event Log Restore failed**
Explanation: An error occurred while restoring the event logs from the server.
System Action: Event Log restore function fails.
User Response: See your system administrator.

ANS7732E

An Error occurred creating the event log directory structure

Explanation: An error occurred while creating the directory structure to save the event logs.

System Action: Event Log function fails.

User Response: See your system administrator.

14

Administrative Command Line Client (8000–8499)

-
- ANS8000I** **Server command:** *'command'*
Explanation: The specified command is being sent to the server. This message is displayed when the command is generated from a macro or when the client is running in batch mode.
System Action: The command is sent to the server for processing.
User Response: None.
-
- ANS8001I** **Return code** *return code value*.
Explanation: The error code shown has been returned from the preceding server command. This message is preceded by a server message explaining the reason for the error code.
System Action: None.
User Response: None.
-
- ANS8002I** **Highest return code was** *return code value*.
Explanation: At exit from the client, the highest return code encountered during the session is displayed.
System Action: This value is used as the program exit code.
User Response: None.
-
- ANS8003I** **Process number** *process ID* **started.**
Explanation: As a result of the preceding server command, the process whose ID is shown starts to execute the command. The process can be monitored using the QUERY PROCESS command.
System Action: None.
User Response: None.
-

ANS8008W	<p>Redirection inside macro whose output is redirected is ignored. Explanation: An output redirection symbol has been encountered inside a macro. However, the output of the macro itself (or a higher level macro) is already being redirected. System Action: The redirection request is ignored. User Response: None.</p>
<hr/>	
ANS8009E	<p>Exiting due to command or option errors. Explanation: Because of errors in command line or option file parameters displayed earlier, the administrative client session is ending. System Action: The client exits. User Response: Fix the option file parameter in error and restart the client, or restart the client with proper command line parameters.</p>
<hr/>	
ANS8010E	<p>File '<i>file spec</i>' not found. Explanation: The client options file cannot be found, either in the current directory or in the directory specified by the DSM_DIR environment variable. System Action: The client cannot process the options file. User Response: Locate the client options file, or create the file if one does not exist.</p>
<hr/>	
ANS8011E	<p>File '<i>file spec</i>', line <i>line number</i>, value '<i>keyword</i>' is not a valid keyword. Explanation: The client encounters an incorrect keyword in the client options file. System Action: The keyword is ignored. User Response: Correct the keyword in the client options file and restart the administrative client.</p>
<hr/>	
ANS8012E	<p>Option processing storage exhausted. Explanation: During processing of the client options file, the client runs out of memory. System Action: The client session is ended. User Response: Make more memory available and restart the administrative client.</p>
<hr/>	
ANS8013E	<p>File '<i>filespec</i>', line <i>line number</i>, value '<i>pattern</i>' is too complex a pattern. Explanation: The include or exclude pattern issued is too complex to be accurately interpreted by the client. System Action: The include/exclude statement is ignored. User Response: Correct the syntax for the pattern.</p>

-
- ANS8014E** **Insufficient information to connect to host.**
Explanation: The client options file or command line, or both, do not contain enough communications information to successfully connect to the server system. For example, with TCP/IP both the TCP Port number and TCP Server address are required to make a connection.
System Action: The administrative client session is ended.
User Response: Determine what information is needed to establish a connection for your communications method and then specify all that information in your client options file or on the administrative client command line.
-
- ANS8015E** **File *'file spec'*, error code *error code* from options processing.**
Explanation: An unknown error code is returned from the routine that processes the client options file.
System Action: The administrative client session is ended.
User Response: Attempt to determine the error and correct it. If the problem persists, contact your service representative.
-
- ANS8016E** **Command line parameter *parameter number: 'parameter'* is too long.**
Explanation: The specified command line parameter exceeds the maximum length for a command line parameter.
System Action: The administrative client session is ended.
User Response: Reissue the command with a shorter parameter.
-
- ANS8017E** **Command line parameter *parameter number: 'parameter'* is not valid.**
Explanation: The command line parameter shown is not a valid administrative client parameter.
System Action: The administrative client session is ended.
User Response: Reissue the command with valid parameters.
-
- ANS8018E** **Administrative command not valid in Console mode.**
Explanation: The Console Mode option has been specified but the client encounters what appears to be a server command on the command line.
System Action: The administrative client session is ended.
User Response: Reissue the command with no server command.
-
- ANS8019E** **Id and password must be supplied in Batch mode.**
Explanation: A server command has been encountered on the command line, but no administrator ID or password, or both, are specified.
System Action: The administrative client session is ended.
User Response: Reissue the command and include the -ID and -PASSWORD parameters on the command line.
-

ANS8020E **Unable to open file 'file spec' for output.**
Explanation: The file name specified in the -OUTFILE option cannot be opened.
System Action: The -OUTFILE parameter is ignored.
User Response: Allow processing to continue or exit the session and correct the file name.

ANS8021E **Exiting Batch mode session due to output file error.**
Explanation: The file specified in the -OUTFILE parameter cannot be opened for a session running in Batch mode.
System Action: The administrative client session is ended.
User Response: Reissue the command with a valid output file name or make space available for the output file.

ANS8022E **Output will be written only to stdout.**
Explanation: The file specified in the -OUTFILE parameter cannot be opened, so output is written only to the standard output stream.
System Action: Output that would have been written to the output file is written to the standard output stream.
User Response: Allow processing to continue or exit the session and correct the file name.

ANS8023E **Unable to establish session with server.**
Explanation: The administrative client cannot start a session with the requested server. This message is preceded by another message that explains the reason for the error.
System Action: The administrative client session is ended.
User Response: Attempt to correct the error. If the problem persists, contact your service representative.

ANS8024E **End of macro after continued command line.**
Explanation: A macro containing a continuation line has been executed, but no more lines are found in the macro file.
System Action: The continued command is ignored, and an error return code is set for the macro.
User Response: Correct the macro in error.

ANS8025E **I/O Error reading command input.**
Explanation: The client is unable to read an input command from the terminal.
System Action: The administrative client session is ended.
User Response: Correct the problem on the terminal and retry the administrative session.

ANS8026E **Input line longer than maximum of *max length* characters. Use continuation.**

Explanation: An input command line is longer than the maximum input line length allowed.

System Action: The input command is ignored.

User Response: Reissue the command with several lines using continuation characters.

ANS8027E **Unterminated comment in command.**

Explanation: An input command contains an opening comment mark but no closing comment mark.

System Action: The input command is ignored.

User Response: Reissue the command with matching comment marks.

ANS8028E **Command longer than maximum of *max length* characters.**

Explanation: An input command longer than the maximum command length allowed has been entered.

System Action: The input command is ignored.

User Response: Reissue the command with fewer characters. This could mean replacing series of repeating blanks with a single blank.

ANS8029E **Macro processing terminated.**

Explanation: An error occurs during processing of a macro because the -ITEMCOMMIT option is not specified on the command line. Processing of this macro and any higher level macro is terminated.

System Action: All current macro processing ends.

User Response: Specify the -ITEMCOMMIT option on the command line to ensure that the server commits each command in the macro individually.

ANS8030E **Substituted command longer than maximum of *max length* characters.**

Explanation: After variable substitution, an input command is longer than the maximum command length allowed.

System Action: The input command is ignored.

User Response: Reissue the command with fewer characters. This may require replacing a series of repeating blanks with a single blank.

ANS8031E **Missing name of macro to execute.**

Explanation: A macro command is encountered that does not contain a macro name.

System Action: The command is ignored.

User Response: Reissue the macro command with a macro file name.

ANS8032E	<p>Could not allocate storage to process macro '<i>file spec</i>'. Explanation: The client cannot allocate enough memory to process the macro shown. System Action: The macro is ignored and an error is returned. User Response: Make more memory available to the client and retry the macro command.</p>
<hr/>	
ANS8033E	<p>Unable to handle type <i>output type</i> output. Explanation: An internal processing error occurs. System Action: Output from the prior command is incomplete. User Response: Contact your service representative.</p>
<hr/>	
ANS8034E	<p>Your administrator ID is not recognized by this server. Explanation: The administrator ID entered is not known to the requested server. System Action: The administrative session terminates. User Response: Ensure that you are using a registered administrative ID for the server to which you are connecting.</p>
<hr/>	
ANS8035E	<p>Interrupted by user. Explanation: During an administrative session, a keyboard interrupt or break sequence is entered. System Action: The administrative session is terminated. User Response: Restart the administrative client session.</p>
<hr/>	
ANS8036E	<p>Administrative command not valid in Mount mode. Explanation: The Mount Mode option has been specified but the client encounters what appears to be a server command on the command line. System Action: The administrative client session is ended. User Response: Reissue the command with no server command.</p>
<hr/>	
ANS8037E	<p>Missing name for redirection file. Explanation: A command is entered that contains an output redirection symbol but no output file name. System Action: The command is ignored and an error is returned. User Response: Reissue the command with an output file name.</p>
<hr/>	
ANS8038E	<p>Unable to open file '<i>file spec</i>' for redirection. Explanation: A command has been entered that specifies an output redirection file, but the file cannot be opened. System Action: The command is ignored and an error is returned. User Response: Reissue the command with a valid output file name or make space available for the output file.</p>

-
- ANS8039E** **SVM is at level *version.release.level*, DSADM requires at least 2.5.-2, unable to continue.**
Explanation: A down-level version of SVM is being used with the administrative client.
System Action: The client session is ended.
User Response: Obtain a more recent version of SVM.
-
- ANS8040E** **C library not available, unable to continue.**
Explanation: The C/370 run-time library is not available for use by the administrative client.
System Action: The client session is ended.
User Response: Get access to the C/370 run-time library and then retry the command.
-
- ANS8041E** **The server connection has been lost and cannot be re-established.**
Explanation: During an administrative session, the client discovers that the connection with the server has been severed; an attempt to reestablish the connection fails.
System Action: The client session is ended.
User Response: Determine the cause of the failure; then try to restart the session at a later time. If the problem persists, contact your service representative.
-
- ANS8042E** **Update password canceled by user.**
Explanation: Entry of a new password is canceled.
System Action: The password is not updated.
User Response: None.
-
- ANS8045E** **Communications error.**
Explanation: An unexpected communications error occurs during an administrative session.
System Action: The client session is ended.
User Response: Verify that communications are active between the client and server machines. Server outages, processor outages, and communication controller outages can cause this error.
-
- ANS8046E** **System failure.**
Explanation: The client connection with the server has terminated due to a system error.
System Action: The client session is ended.
User Response: Contact your service representative.
-

ANS8047E	<p>Buffer overflow. Explanation: A communications buffer overflow occurs. System Action: The client session is ended. User Response: Retry the operation. If the problem persists, contact your service representative.</p>
<hr/>	
ANS8049E	<p>Connection timed out. Explanation: The connection to the server cannot be established. System Action: The client session is ended. User Response: Check for a networking problem. If the problem persists, contact your service representative.</p>
<hr/>	
ANS8050E	<p>Session rejected: SNALU6.2 connection failure. CPIC unknown error occurred. Explanation: An unexpected CPI Communication error occurs. System Action: Processing stops. User Response: Contact your service representative.</p>
<hr/>	
ANS8051E	<p>IUCV communication error. Explanation: An IUCV communications send/receive error occurs. System Action: The client session is ended. User Response: Retry the administrative session. If the problem persists, contact your service representative.</p>
<hr/>	
ANS8052E	<p>IUCV connection failure. Explanation: The administrative client is unable to establish an IUCV connection to the server. System Action: The client session is ended. User Response: Retry the administrative session. If the problem persists, contact your service representative.</p>
<hr/>	
ANS8053E	<p>Network cannot be accessed. Explanation: An error occurs accessing the network. System Action: The client session is ended. User Response: Retry the administrative session. If the problem persists, contact your service representative.</p>
<hr/>	
ANS8054E	<p>No memory available to service request. Explanation: Sufficient server memory is not available. System Action: The client session is ended. User Response: Retry the administrative session. If the problem persists, contact your service representative.</p>

-
- ANS8055E** **No server resources available.**
Explanation: Sufficient server resources are not available.
System Action: The client session is ended.
User Response: Retry the administrative session. If the problem persists, contact your service representative.
-
- ANS8056E** **Your administrator ID is locked.**
Explanation: The administrative ID entered has been locked by a system administrator and cannot be used.
System Action: The client session is ended.
User Response: Contact your system administrator to unlock your ID.
-
- ANS8057E** **The requested language files are not available.**
Explanation: The NLS repository for the language specified is not available.
System Action: The client session is ended.
User Response: Use a different language or obtain a copy of the NLS repository for the language desired.
-
- ANS8058E** **Error loading one or more functions from SYS1.CSSLIB.**
Explanation: TSM cannot load the required CPI Communication functions. This message only applies when using SNALU6.2 communications on MVS 4.2.0 or 4.2.2.
System Action: The connection to the server fails.
User Response: Before retrying the operation, ensure that APAR OY52924 has been applied (PTF UY79385 for MVS 4.2.0, PTF UY79386 for MVS 4.2.2). Also, ensure that SYS1.CSSLIB is either STEPLIBed or added to LINKLIST. As an alternative to applying the APAR, an installation may choose to link-edit the TSM TSO administrative client again, including the module ATBPBI from SYS1.CSSLIB.
-
- ANS8059E** **The TCP/IP functions have not been linked into this module.**
Explanation: The ADSM TSO administrative client cannot find the TCP/IP functions required to support TCP/IP communications.
System Action: The connection to the server fails.
User Response: The TCP/IP functions must be included in the DSMADMC/ANSADM module. Refer to the Program Directory for this product for instructions on how to include the TCP/IP functions in the DSMADMC/ANSADM module.
-
- ANS8060E** **The IUCV DECLARE BUFFER has failed. IUCV functions may not be available.**
Explanation: TSM fails trying to start IUCV communications.
System Action: The connection to the server fails.
-

User Response: Because IUCV support comes with TCP/IP, ensure that TCP/IP is properly installed, and retry the operation.

ANS8061E

Session Rejected: The server does not allow a signon as a Unicode enabled administrative client

Explanation: The administrative client is unable to establish a connection to the server because of a unicode enabling mismatch between server and client.

System Action: The client session is ended.

User Response: Register a new administrator from a different administrative client or the server console, and signon with the new administrator ID.

ANS8062E

Error loading the SNA Services/6000 CPIC routines.

Explanation: TSM cannot load the SNA Services/6000 driver file. This message only applies when using CPI Communications via SNA Services/6000.

System Action: The connection to the server fails.

User Response: Make sure the SNA Services/6000 CPI Communications library file, '/usr/lib/libcpic.a' exists. This file should have been installed when SNA Services/6000 was installed. Also, make sure the TSM SNA Services/6000 driver file, dsmsna.drv, exists in the TSM installation directory.

ANS8063E

APPC insufficient memory.

Explanation: Sufficient memory is not available to perform the requested APPC function.

System Action: Processing stops.

User Response: Shutdown running applications and retry the operation. If the problem persists, contact your service representative.

ANS8064E

Communication timeout. Reissue the command.

Explanation: The connection to the server is ended because of a communication timeout from the server.

System Action: The server does not process the command.

User Response: Reissue the command. If necessary, increase the values of IDLETIMEOUT and COMMTIMEOUT options in the server options file.

ANS8494E

Error during buffer operation (file name:line number) error code: error code

Explanation: Error occurs when doing the following operations: 1. Creating input buffer. 2. Retrieving data from buffer. 3. Retrieving the pointer to field data. 4. Clearing input buffer. 5. Deleting input buffer.

System Action: The administrative client session ends.

User Response: Contact your service representative.

-
- ANS8495E** **Error while writing data** (*file name:line number*) **error Code:** *error code*
Explanation: An error occurs while writing data to the session.
System Action: The administrative client session ends.
User Response: Contact your service representative.
-
- ANS8496E** **Error during session operation** (*file name:line number*) **error code:** *error code*
Explanation: An error occurs during one of the following operations: 1. Retrieving session description. 2. Initializing session description. 3. Initializing window description. 4. Creating the session. 5. Writing title to the display. 6. Writing prompt to the display.
System Action: The administrative client session ends.
User Response: Contact your service representative.
-
- ANS8497E** **Get time operation failed** (*file name:line number*) **error code:** *error code*
Explanation: An error occurs when getting system time.
System Action: The administrative client session ends.
User Response: Contact your service representative.
-
- ANS8498E** **Get job information failed** (*file name:line number*) **error code:** *error code*
Explanation: An error occurs while getting job information.
System Action: The administrative client session ends.
User Response: Contact your service representative.
-
- ANS8499E** **Error occurs when sending messages** (*file name:line number*) **error code:** *error code*
Explanation: An error occurs when invoking the sending message api.
System Action: The administrative client continues.
User Response: None.
-

15

Tivoli Space Manager (9000–9999)

-
- ANS9003E** *program-name: file system for path-name is not in the dsmmigfstab file.*
- Explanation:** TSM cannot find the file system in the dsmmigfstab file.
- System Action:** TSM cannot complete the requested operation.
- User Response:** Ensure that the file system is both valid and local, and that it is an FSM file system.
-
- ANS9004E** *program-name: cannot update file-system because it is not an FSM file system.*
- Explanation:** The program cannot find the file system in the dsmmigfstab file. The update failed.
- System Action:** TSM cannot complete the requested operation.
- User Response:** The file system cannot be updated because it is not an FSM file system. You must first add space management to the file system before you can update space management settings for the file system.
-
- ANS9007E** *error-program: error occurred. Run 'dsmreconcile file-system'*
- Explanation:** An error occurred.
- System Action:** TSM terminates the operation.
- User Response:** Run the operation specified.
-
- ANS9008W** *program-name: cannot mix -a and named file systems.*
- Explanation:** You have used the -a option (which tells TSM to work on all of the local file systems), as well as one or more named file systems.
-

System Action: TSM terminates the operation.

User Response: Enter the command again, using either the -a option, or the name of one or more file systems, but not both.

ANS9009W *program-name: no file system specified.*

Explanation: You did not include the name of a file system as part of the argument to this command.

System Action: TSM terminates the operation.

User Response: Enter the command again, including the name of one or more file systems.

ANS9012E *error-program: Command must be run by root user.*

Explanation: TSM requires that a root user perform this operation.

System Action: TSM terminates the operation.

User Response: Change to root user, and then retry the operation.

ANS9016E **Cannot get space management migration status for *path*.**

Explanation: An error occurred while trying to get the space management migration status. Either the permissions for the status file are not set correctly, or the status file is damaged.

System Action: TSM terminates the operation.

User Response: The root user should check the permissions of the status file, or contact the service representative.

ANS9017W *error-program: Minimum number of recall daemons *min-dsmrecalld* cannot be greater than maximum number of recall daemons *max-dsmrecalld*; defaulting to minimum *min-dsmrecalld* and maximum *max-dsmrecalld*.*

Explanation: A minimum number of recall daemons has been entered that is greater than the maximum number of recall daemons.

System Action: TSM uses defaults instead of the values specified in the client system options file (*dsm.sys*).

User Response: Correct the MINRECALLDAEMONS and MAXRECALLDAEMONS options in the client system options file and retry the operation.

ANS9018W *program-name: option* **option value value invalid, range min-value to max-value.**

Explanation: An invalid value has been entered. Value should be in the range specified by the message.

System Action: TSM uses defaults instead of the value specified by the user.

User Response: Correct the invalid input value.

ANS9019W *program-name: unable to parse option value 'argument'*

Explanation: Input is incorrect or is not in correct format.

System Action: TSM continues.

User Response: Retry operation with correct usage syntax.

ANS9020I *program-name: dispatching a subsidiary recall daemon slave-ID ...*

Explanation: The master recall daemon is starting a subsidiary recall daemon.

System Action: TSM continues.

User Response: Continue.

ANS9021E *error-program* **Unknown recall daemon (pid process-ID) terminated abnormally, status: status.**

Explanation: A recall daemon is terminated abnormally.

System Action: TSM terminates the operation.

User Response: Retry operation. If problem persists, contact your service representative.

ANS9022E *error-program* **Recall daemon (pid process-ID) terminated abnormally, status: status.**

Explanation: A recall daemon is terminated abnormally.

System Action: TSM terminates the operation.

User Response: Retry operation. If problem persists, contact your service representative.

ANS9023I *error-program: Subsidiary recall daemon process exiting.*

Explanation: The process is interrupted and exiting. The user has terminated the process.

System Action: TSM detected an interrupt. The recall daemon is terminated and exiting.

User Response: None.

ANS9025W *program-name: cannot truncate inode inode-number on file system (file-system-ID, file-system-ID): error.*

Explanation: TSM cannot truncate the file to its correct stub file size. The file remains one full block in size.

System Action: TSM continues.

User Response: Retry the operation. If error persists, reboot the system. If error still persists, contact your service representative.

ANS9026E *program-name: no space for file (block-count) (free-blocks) in file system file-system.*

Explanation: TSM does not have enough space in the file system to perform recall.

System Action: TSM cannot complete the requested operation.

User Response: Free some space in the file system and retry the operation.

ANS9028E *program-name: cannot determine the file system name for fsid (file-system-ID, file-system-ID).*

Explanation: TSM is unable to determine the name of the file system with the specified file-system-id.

System Action: TSM is unable to recall the requested file.

User Response: Determine if the file system which contains the file has an entry in /etc/adsm/SpaceMan/config/dsmmigfstab. Typically this problem should not occur unless the dsmmigfstab file was manually updated after the file system was mounted, and the entry was either removed or commented out. Once the entry is added back to dsmmigfstab, try the file recall again.

ANS9029E *error-program: cannot store information into database, error: error.*

Explanation: TSM is unable to store the premigration information into its database.

System Action: TSM continues.

User Response: None.

ANS9030W **Cannot set conflicting attributes to file *file-name*.**

Explanation: TSM cannot set the file attributes because the requested attributes are in conflict with one another.

System Action: TSM does not set the file attributes.

User Response: Retry this operation with attributes that do not conflict with each other.

ANS9031W **File *file-name* is not a migrated file.**

Explanation: TSM can only set file attributes to a migrated file. This file has not been migrated.

System Action: TSM does not set the file attributes.

User Response: Migrate this file, and then retry the operation.

ANS9032W **File *file-name* is not in an FSM file system.**

Explanation: TSM detects that the file is not in an FSM file system, and therefore, it cannot perform the operation requested.

System Action: TSM does not set the file attributes.

User Response: Add space management to the file system, migrate the file, and then retry the operation.

ANS9036W *program-name*: **migrated file(s) are missing on server for *number stub file(s)*.**
Look in '*file-spec*' for file names.

Explanation: TSM cannot find the migrated file(s) on the server.

System Action: TSM continues.

User Response: Look in the path mentioned in the message for the file name. Also ensure that you are working with the correct server for this file.

ANS9054E *error-program*: **cannot set specified execution mode: *error*.**

Explanation: TSM cannot set the execution mode successfully.

System Action: TSM cannot complete the requested operation.

User Response: Retry the operation. If the problem persists, contact your service representative.

ANS9057W *error-program: cannot get space information for file-system: error.*
Explanation: TSM cannot get the space information for the file system.
System Action: TSM continues.
User Response: Verify that space management has been added to the file system.

ANS9058E *error-program: cannot close file-spec: error.*
Explanation: TSM cannot close the file.
System Action: TSM terminates the current operation.
User Response: Retry the operation. If problem persists, contact your system administrator.

ANS9059E *error-program: process cannot detach to become a daemon.*
Explanation: TSM process cannot detach itself to become a daemon.
System Action: TSM cannot start the daemon as requested. TSM stops.
User Response: Retry the operation.

ANS9060W *error-program: cannot get and increase limit of open files.*
Explanation: TSM either cannot get the limit of the number of open files, or cannot increase the limit of the number of open files.
System Action: TSM cannot increase the number of open files, and was not able to complete the operation.
User Response: Free some file space by ending some processes or removing some files, and retry the operation.

ANS9061E *program-name: directory-spec: not a writable directory.*
Explanation: A -t option has been entered for a directory that does not have a write permission.
System Action: TSM cannot complete the requested operation.
User Response: Correct the argument or permissions, and retry the operation.

ANS9062E *program-name: argument: not a valid directory argument for -t option.*
Explanation: An invalid directory argument has been entered for the -t option.
System Action: TSM cannot complete the requested operation.

User Response: Correct the argument, and retry the operation.

ANS9063E *error-program: file system file-system is out of nodes.*

Explanation: TSM cannot get space for the file system because the file system is out of inodes.

System Action: TSM cannot get space via migration.

User Response: Remove some files to make more inodes available and retry.

ANS9064E *error-program: Cannot fork a new process: error.*

Explanation: TSM cannot fork a new process that is needed.

System Action: TSM cannot complete the requested operation.

User Response: Free some file space by ending some processes or removing some files, and retry the operation.

ANS9067W *error-program: error updating dsmmigfstab file for file-system.*

Explanation: TSM found an error in updating the dsmmigfstab file for this file system.

System Action: TSM does not update the dsmmigfstab file.

User Response: See the preceding error message and correct the error if possible. Then, retry the operation. If problem persists, contact your system administrator.

ANS9068I *program-name: dsmmigfstab file updated for file system file-system.*

Explanation: TSM successfully updated the dsmmigfstab file for the file system.

System Action: TSM continues.

User Response: Continue with normal operation.

ANS9069I *program-name: all file systems are reactivated to previous states.*

Explanation: TSM has reactivated all file systems managed by HSM to their previous states before the global deactivation.

System Action: TSM continues.

User Response: Continue with normal operation.

ANS9070I *program-name: space management is now deactivated for all FSM file systems.*

Explanation: TSM has deactivated space management for all file systems listed in the dsmmigfstab file.

System Action: TSM continues.

User Response: Continue with normal operation.

ANS9071W *program-name: error reactivating space management for all FSM file systems.*

Explanation: TSM found an error in trying to reactivate space management.

System Action: TSM does not reactivate space management for FSM file systems.

User Response: Make sure space management is installed correctly and retry the operation.

ANS9072W *error-program: error deactivating space management for all FSM file systems.*

Explanation: TSM found an error in trying to deactivate space management.

System Action: TSM does not deactivate space management for FSM file systems.

User Response: Make sure space management is installed correctly and retry the operation.

ANS9073W *program-name: error deactivating space management for file system file-system.*

Explanation: TSM found an error in trying to deactivate the file system.

System Action: TSM does not deactivate space management for the file system.

User Response: Make sure space management is installed correctly and retry the operation.

ANS9074I *program-name: FSM file system file-system is now deactivated.*

Explanation: TSM has deactivated space management for the file system.

System Action: TSM continues.

User Response: Continue with normal operation.

ANS9075W *program-name: error reactivating space management for file system file-system.*

Explanation: TSM found an error in trying to reactivate space management for the file system.

System Action: TSM does not reactivate space management for the file system.

User Response: Correct the error if possible and retry the operation. If the problem persists, contact your service representative.

ANS9076I *program-name: space management is now active for file system file-system.*

Explanation: TSM has reactivated space management for the file system.

System Action: TSM continues.

User Response: Continue with normal operation.

ANS9077I *program-name: removed space management from file system file-system.*

Explanation: TSM removed space management. The file system is now a native file system.

System Action: TSM continues.

User Response: Continue with normal operation.

ANS9078W **Space management is not removed from file system file-system.**

Explanation: TSM was not able to remove space management from this file system. Possible causes:

Kernel extension is downlevel.

Program is downlevel.

Insufficient disk space.

System Action: TSM is unable to complete the requested operation.

User Response: Refer to the immediately preceding error message and retry the operation.

ANS9079W *program-name: no migrated files matching search criteria found.*

Explanation: TSM did not find any migrated files matching the search criteria.

System Action: TSM cannot complete the requested operation.

User Response: Retry the operation with a different search criteria.

ANS9080E *program-name: not enough space to recall all migrated files.*

Explanation: TSM detects there is not enough space in the file system to hold all the migrated files if all are recalled.

System Action: TSM does not attempt to recall all the migrated files.

User Response: Make room in the file system by increasing the file system size or removing some files. Retry the operation.

ANS9081W *program-name: orphaned stub file(s) detected in file system file-system.*

Explanation: TSM detected one or more orphaned stub files. Either the migration server was changed in the client system options file after the file was migrated, or the migration server database is damaged.

System Action: TSM does not attempt to remove space management from the file system.

User Response: Determine the cause of orphaned stub files. Switch to the correct migration server and recall the migrated files. Retry the operation.

ANS9082W *program-name: error encountered while reconciling file system file-system.*

Explanation: TSM encountered an error performing reconciliation on the file system.

System Action: TSM continues.

User Response: Refer to other messages displayed or messages in the log to correct the problem. Then retry the operation.

ANS9083W *program-name: cannot deactivate space management on file system file-system.*

Explanation: TSM cannot deactivate space management on the file system.

System Action: TSM continues.

User Response: Correct the error if possible and retry the operation.

ANS9085E *program-name: space management has not been added to file system file-system.*

Explanation: There is no entry for the file system in the dsmmigfstab file.

System Action: TSM will not perform space management functions on this file system.

User Response: Add space management to the file system, if appropriate, and then retry the operation.

ANS9086E *program-name: error adding FSM to file system file-system.*

Explanation: TSM encountered an error and cannot add FSM to the file system.

System Action: TSM continues.

User Response: Refer to the preceding error message and retry the operation.

-
- ANS9087I** **Space management is successfully added to file system** *file-system*.
- Explanation:** TSM has added space management to the file system, and will now monitor its space usage. You can also perform other space management operations on this file system.
- System Action:** TSM continues.
- User Response:** Continue with normal operation.
-
- ANS9088W** *program-name: an entry for file system file-system is already in the dsmmigstab file.*
- Explanation:** TSM found that the file system is already listed in the dsmmigstab file.
- System Action:** TSM continues.
- User Response:** None.
-
- ANS9090E** *program-name: file-system is not a valid file system name.*
- Explanation:** TSM received an invalid file system name. The file system is not mounted, or is not mounted correctly.
- System Action:** TSM continues.
- User Response:** Correct the file system name, and retry the operation.
-
- ANS9091I** *program-name: file file-spec is already premigrated.*
- Explanation:** TSM found that the file is already premigrated.
- System Action:** TSM continues.
- User Response:** Continue with normal operation.
-
- ANS9092W** *program-name: file file-spec is not eligible for migration.*
- Explanation:** TSM found that the file is not eligible for migration.
- System Action:** TSM continues.
- User Response:** Continue with normal operation.
-
- ANS9093W** *program-name: cannot update migration candidates list file-name.*
- Explanation:** TSM cannot update the migration candidates list because not enough memory is available to create a temporary file.
-

System Action: Processing stops.

User Response: Make some memory available by ending some processes, and then retry the operation.

ANS9094W *program-name: no candidates found in file system file-system.*

Explanation: TSM found no files eligible for migration in the file system after running dsmreconcile.

System Action: TSM continues.

User Response: Continue with normal operation.

ANS9096E **User is not the owner of file *filesystem-namedirectory-namefile-name* so file is skipped.**

Explanation: The user does not own this file and cannot perform this operation.

System Action: TSM skips the file.

User Response: None, or if you have root-user authority, switch to root user and retry the operation.

ANS9098E *program-name: space management does not support file system file-system.*

Explanation: TSM space management does not support this type of file system. Space management supports only true local file systems (e.g. JFS on AIX). Space management does not support other types of file systems (AFS, NFS, etc).

System Action: Processing of the file system stopped.

User Response: None.

ANS9099E *program-name: space management is not active for file system file-system.*

Explanation: TSM found the file system did not have space management activated.

System Action: Processing of that file system stopped.

User Response: Reactivate space management for the file system.

ANS9100E **Space management has not been added to file system *file-system*, or FSM is not mounted.**

Explanation: TSM found the file system was not in a migratable state. Either space management was not added to the file system, or the FSM is not mounted.

System Action: Processing of the file system stopped.

User Response: Either add space management to the file system, or mount the FSM if it is not mounted. Refer to the User's Guide for the correct syntax for mounting the FSM.

ANS9101I **No migrated files matching '*file-name*' were found.**

Explanation: You entered a search pattern or file name that cannot be found in the server database as a migrated file.

System Action: Processing stopped.

User Response: Ensure that your search pattern is correct, or specify a new search string.

ANS9126E *program-name*: **cannot get the state of space management for *file-system*: error.**

Explanation: TSM cannot determine whether space management is activated, deactivated, or globally deactivated on the file system.

System Action: TSM stops the operation.

User Response: Retry the operation.

ANS9127I **Process stopped, signal number=*signal-number*.**

Explanation: The space management process stopped.

System Action: TSM process temporarily stops.

User Response: Wait for process to restart.

ANS9128I *program-name*: **exported space management file system *file-system*.**

Explanation: TSM has exported the indicated space managed file system. You must import this file system to gain access to the migrated files.

System Action: TSM continues.

User Response: Continue with normal operation.

ANS9129I **Space management normal termination, exit status = *status*.**

Explanation: Space management is ending normally.

System Action: TSM exits from space management processing.

User Response: None.

ANS9130W *program-name: High threshold (value) less than low threshold (value).*

Explanation: TSM detects that the high threshold is lower than the low threshold. The high threshold must be higher than or equal to the low threshold.

System Action: TSM logs the condition and continues processing other parameters.

User Response: Correct the invalid input value.

ANS9131W *program-name: invalid size factor (value).*

Explanation: An invalid value has been entered for the size factor.

System Action: TSM logs the condition and continues processing other parameters.

User Response: Correct the invalid input value.

ANS9132W *program-name: invalid stub file size (value).*

Explanation: An invalid value has been entered for the stub file size setting.

System Action: TSM logs the condition and continues processing other parameters.

User Response: Correct the invalid input value.

ANS9133W *program-name: invalid quota factor (value).*

Explanation: An invalid value has been entered for the quota setting for the file system.

System Action: TSM logs the condition and continues.

User Response: Correct the invalid input value.

ANS9134W *program-name: invalid age factor (value).*

Explanation: An invalid value has been entered for the age factor setting.

System Action: TSM logs the condition and continues.

User Response: Correct the invalid input value.

ANS9135W *program-name: invalid premigration percentage (value).*

Explanation: An invalid value has been entered for premigration percentage.

System Action: TSM logs the condition and continues.

User Response: Correct the invalid input value.

ANS9136W

program-name: invalid high threshold (value).

Explanation: An invalid value has been entered for high threshold.

System Action: TSM logs the condition and continues.

User Response: Correct the invalid input value.

ANS9137W

program-name: invalid low threshold (value).

Explanation: An invalid value has been entered for low threshold.

System Action: TSM logs the condition and continues.

User Response: Correct the invalid input value.

ANS9138W

program-name: invalid stub file size (value) for file-system, range value..value.

Explanation: An invalid value has been entered for the stub file size setting. The value should be in the range specified by the message.

System Action: TSM does not change the value.

User Response: Correct the invalid input value.

ANS9139W

program-name: invalid quota (value) for file-system, range value..value.

Explanation: An invalid value has been entered for the quota setting. Value should be in the range specified by the message.

System Action: TSM does not change the value.

User Response: Correct the invalid input value.

ANS9140W

program-name: invalid size factor (value) for file-system, range value..value.

Explanation: An invalid value has been entered for the size factor setting. Value should be in the range specified by the message.

System Action: TSM does not change value.

User Response: Correct the invalid input value.

ANS9141W

program-name: invalid age factor (value) for file-system, range value..value.

Explanation: An invalid value has been entered for the age factor setting. Value should be in the range specified by the message.

System Action: TSM does not change the value.

User Response: Correct the invalid input value.

ANS9142W *program-name: file-spec: **high threshold (value) less than low threshold (value) for file-system.***

Explanation: TSM detects that high and low thresholds specified for the file system are invalid values. The high threshold must be greater than or equal to the low threshold.

System Action: TSM logs the condition and stops.

User Response: Enter valid values for the high and low thresholds.

ANS9143W *program-name: file-spec: **invalid premigration percentage (value) for file-system, range 0..100.***

Explanation: TSM detects an invalid premigration percentage value for the file system.

System Action: TSM logs condition and stops.

User Response: Enter a valid value for the premigration percentage.

ANS9144W *program-name: file-spec: **invalid high threshold (value) for file-system, range 0..100.***

Explanation: TSM detects an invalid high threshold value for the file system.

System Action: TSM logs the condition and stops.

User Response: Enter a valid value for the high threshold.

ANS9145W *program-name: file-spec: **invalid low threshold (value) for file-system, range 0..100.***

Explanation: TSM detects an invalid low threshold value for the file system.

System Action: TSM logs the condition and stops.

User Response: Enter a valid value for the low threshold.

ANS9146E *program-name: file-spec: **expecting value field(s) in line line-number, found value field(s).***

Explanation: TSM detects too many or too few fields in an entry in the dsmmigfstab file.

System Action: TSM cannot complete the requested operation.

User Response: Edit the dsmmigfstab file manually, and then retry the operation.
Note: Do not manually edit the dsmmigfstab file unless specifically instructed by a message.

ANS9147E *program-name: cannot read file-spec: error.*

Explanation: TSM cannot read this file.

System Action: TSM cannot fully complete the requested operation.

User Response: Retry the operation. Try to determine why the read failed. If the problem continues, check with your system administrator.

ANS9148E *program-name: cannot find mount point for file system file-system.*

Explanation: TSM cannot find file system mount point.

System Action: TSM cannot complete the requested operation.

User Response: Retry the operation. If the problem continues, check with your system administrator.

ANS9149E *program-name: cannot create transition stub file: error.*

Explanation: TSM cannot create transition stub file.

System Action: TSM cannot complete the requested operation. Processing continues.

User Response: Retry the operation. If the problem continues, check with your system administrator.

ANS9150W **Space management is not exported from file system** *file-system.*

Explanation: TSM was not able to export the space managed file system. Possible causes:

- Kernel extension is downlevel.
- Program is downlevel.

System Action: TSM is unable to complete the requested operation.

User Response: Refer to the immediately preceding error message and retry the operation.

ANS9152E *program-name: cannot deactivate space management for whole system: error.*

Explanation: Cannot deactivate space management for this whole system (whole machine).

System Action: TSM cannot deactivate space management support.

User Response: Retry the operation. If the problem continues, check with your system administrator.

ANS9153E *program-name: cannot reactivate space management for whole system: error.*

Explanation: Cannot reactivate space management for this whole system (whole machine).

System Action: TSM cannot reactivate space management support.

User Response: Retry the operation. If the problem continues, check with your system administrator.

ANS9154E *program-name: cannot deactivate space management for file system file-system: error.*

Explanation: Cannot deactivate space management for this file system.

System Action: TSM unable to deactivate space management support for the file system.

User Response: Retry the operation. If the problem continues, check with your system administrator.

ANS9155E *program-name: cannot reactivate space management for file system file-system: error.*

Explanation: Cannot reactivate space management for this file system.

System Action: TSM cannot reactivate space management support to the file system.

User Response: Retry the operation. If the problem continues, check with your system administrator.

ANS9156I *program-name: removing space management from file system file-system.*

Explanation: Space management is being removed.

System Action: TSM is removing space management from a file system.

User Response: Continue with operation.

ANS9157W *program-name: cannot turn off ENOSPC checking in kernel: error.*

Explanation: TSM cannot turn off ENOSPC checking.

System Action: TSM cannot turn off ENOSPC checking. Processing continues.

User Response: Retry the operation. If the problem continues, check with your system administrator.

ANS9158W *program-name: cannot turn on ENOSPC checking in kernel: error.*

Explanation: TSM cannot turn on ENOSPC checking.

System Action: TSM cannot turn on ENOSPC checking. Processing continues.

User Response: Retry the operation. If the problem continues, check with your system administrator.

ANS9159E *program-name: unable to create temporary file.*

Explanation: TSM cannot create a temporary file.

System Action: TSM cannot complete its operation.

User Response: Retry the operation. If the problem continues, check with your system administrator.

ANS9160E *program-name: cannot write to temporary file file-spec: error.*

Explanation: TSM cannot complete writing to the temporary file.

System Action: TSM cannot complete the requested operation.

User Response: Retry the operation. Determine why the write failed. If the problem continues, check with your system administrator.

ANS9161E *program-name: file-system: error in migration initialization.*

Explanation: TSM cannot initialize for migration.

System Action: TSM cannot complete the requested operation.

User Response: Retry the operation. If the problem continues, check with your system administrator.

ANS9162E *program-name: file-spec invalid: not found in path/path.*

Explanation: TSM cannot find an entry for the file system in the dsmmigfstab file.

System Action: TSM cannot complete the requested operation.

User Response: Retry the operation. If the problem continues, check with your system administrator.

ANS9163E *program-name: cannot make symbolic link of file-spec to file-spec: error.*

Explanation: TSM cannot create the symbolic link.

System Action: TSM cannot complete the requested operation.

User Response: Retry the operation. Ensure that there are not too many nested symbolic links or a recursive symbolic link. If the problem continues, check with your system administrator.

ANS9164E *program-name: cannot obtain time of day: error.*

Explanation: TSM cannot obtain the timestamp from the operating system.

System Action: TSM cannot complete the requested operation.

User Response: Retry the operation. If the problem continues, check with your system administrator.

ANS9165E *program-name: cannot open directory directory-spec: error.*

Explanation: TSM cannot open the directory.

System Action: TSM cannot complete the requested operation.

User Response: Retry the operation. If the problem continues, check with your system administrator.

ANS9166E **Cannot set password in a background process.**

Explanation: TSM cannot get a valid password from the password file locally. Either the password is not stored locally, or the password has been changed at the server. The user cannot be prompted for a new password because the process is a background process, for example, a daemon.

System Action: TSM cannot complete the requested operation.

User Response: The root user needs to provide a valid password. Enter the password at the prompt using the HSM client in the foreground; the password will then be stored locally. Retry the operation.

ANS9167E *program-name: cannot find directory directory-spec.*

Explanation: TSM cannot find this directory.

System Action: TSM cannot use this directory.

User Response: Retry the operation. If the problem continues, check with your system administrator.

-
- ANS9168E** *program-name: cannot open database file-spec: error.*
- Explanation:** TSM cannot successfully open (lock/unlock) the database.
- System Action:** TSM cannot complete the requested operation.
- User Response:** Retry the operation. If the problem continues, check with your system administrator.
-
- ANS9169E** *program-name: cannot create directory directory-spec, reason.*
- Explanation:** TSM cannot create this directory.
- System Action:** TSM does not create this directory.
- User Response:** Verify that this directory does not already exist, and that its parent directory has proper permissions.
-
- ANS9170E** *program-name: file-system is not a mounted local file system.*
- Explanation:** TSM did not find that this file system is properly mounted.
- System Action:** TSM ignores the file system.
- User Response:** Verify that this file system is local and mounted and activated properly.
-
- ANS9171E** **Internal string is too long: error.**
- Explanation:** TSM internally has a long string that is beyond its capability.
- System Action:** TSM cannot complete the requested operation and stops processing.
- User Response:** Retry the operation. If the problem continues, check with your system administrator.
-
- ANS9178E** *program-name: cannot open file file-spec: error.*
- Explanation:** TSM cannot open the file.
- System Action:** TSM cannot complete the requested operation.
- User Response:** Retry the operation. If the problem continues, check with your system administrator.
-

ANS9179E *program-name: cannot get real pathname of file-spec: error.*

Explanation: TSM cannot get the real pathname.

System Action: TSM cannot complete the requested operation.

User Response: Ensure that the pathname is valid for your system, and then retry the operation. If the problem continues, check with your system administrator.

ANS9181W *program-name: file system path/path error: error (errno: error-number).*

Explanation: TSM cannot find needed information for the file system. The information is stored in a status file to which the symbolic link specified in the error message points.

System Action: TSM cannot complete the requested operation, and cannot properly work with the status file.

User Response: Retry the operation. If the problem continues, check with your system administrator.

ANS9183E *program-name: file system file-system is not in the dsmmigfstab file.*

Explanation: TSM cannot find the file system in the dsmmigfstab file.

System Action: TSM cannot complete the requested operation.

User Response: Ensure that the file system is both valid and local. Retry the operation. If the problem continues, check with your system administrator.

ANS9184E *program-name: cannot allocate memory, error: error.*

Explanation: TSM cannot allocate adequate storage for the user.

System Action: TSM cannot complete the requested operation.

User Response: Retry the operation. If the problem continues, check with your system administrator.

ANS9186E *program-name: cannot open mounted file system file-system: error.*

Explanation: TSM cannot open mounted file system.

System Action: TSM ignores the file system.

User Response: Verify that this file system is mounted and activated properly.

ANS9188E	Not enough memory for recall operation Explanation: TSM cannot allocate storage for the requested recall operation. System Action: TSM cannot complete the requested operation. User Response: Retry the recall operation. If the problem continues, check with your system administrator.
ANS9189I	Recall stopped by user Explanation: You requested that TSM stop the recall operation. System Action: Recall stopped. User Response: Continue with normal operations.
ANS9191E	Error checking file system state Explanation: The system cannot open /dev/dsm or cannot open the file system. System Action: Transaction stopped. User Response: Retry the operation. If the problem continues, check with your system administrator.
ANS9192I	Cannot disable <i>file-system</i>. Explanation: TSM cannot disable the file system. System Action: TSM ignores the request. User Response: TSM space management is not installed correctly. Read the space management documentation for installation instructions, or check with your system administrator.
ANS9193I	Cannot open <i>file-system</i>. Explanation: TSM cannot open the file system. System Action: TSM ignores the request. User Response: Verify whether this file system exists and whether space management has been added to it.
ANS9194W	A selective migration is in progress. Wait until it completes and retry the recall. Explanation: You tried a recall operation while a selective migration is in progress.

System Action: TSM ignores the request.

User Response: Wait until the selective migration is complete and retry the recall operation.

ANS9195W **A selective recall is in progress. Wait until it completes and retry the migration.**

Explanation: You initiated a migration operation while a selective recall is in progress.

System Action: TSM ignores the request.

User Response: Wait until the selective recall is complete and retry the migration operation.

ANS9196W **The PASSWORDACCESS option in your dsm.sys file is not set to GENERATE. Reset it to GENERATE and restart the HSM client.**

Explanation: The PASSWORDACCESS option in your dsm.sys file is set to PROMPT. It must be set to GENERATE in order for automatic space management services to work.

System Action: TSM terminates the client.

User Response: The root user must set the PASSWORDACCESS option to GENERATE in the dsm.sys file.

ANS9197E **File: *file-name* has already been recalled.**

Explanation: You tried to recall the a file that has already been recalled.

System Action: TSM does not highlight the file.

User Response: None.

ANS9198E **File: *file-name* is a resident file.**

Explanation: You tried to recall a file that is resident.

System Action: TSM will not highlight the file.

User Response: None.

ANS9199S **Cannot open /dev/fsm**

Explanation: TSM cannot open the space management device file, /dev/fsm.

System Action: TSM cannot complete the operation.

User Response: Check to see whether TSM is installed correctly and that the /dev/fsm file exists. Correct the problem and retry the operation.

ANS9230E

Cannot unmount FSM from file system *file-system*. Message from umount command:

Explanation: Space management control files have been updated or deleted, or both, for the file system. However, FSM cannot be unmounted because the file system is being referenced by another process.

System Action: TSM left FSM mounted on the file system.

User Response: Determine why unmounting the FSM failed.

If the reason is Device Busy, try unmounting the FSM by issuing the umount command for the file system.

If umount again fails, check to see if the current directory is in the file system, or if another process is referencing the file system, such as an NFS mount or an open file.

After the file system is clear of references, issue the umount command for the file system. No problems will result in continuing to run with the FSM mounted and a machine reboot will eliminate the FSM.

ANS9249E

File '*file-namefile-namefile-name*' accessed during migration. File skipped.

Explanation: The specified *file-name* was not migrated because the file was accessed by another process during the attempt to migrate it.

System Action: TSM left the file resident.

User Response: If you want the file migrated, stop the process which is accessing the file and retry the migration.

ANS9250I

File system '*file-system*' reconciliation completed.

Explanation: TSM has finished reconciling the file system.

System Action: TSM continues.

User Response: Continue with normal operations.

ANS9251E

***ProgramName*: Cannot parse command-line options correctly.**

Explanation: An internal program error occurred trying to parse the command-line arguments.

System Action: The program is not able to process the request.

User Response: Use the -h or -help option to see what options are allowed on the command-line, and then retry the request. If this problem continues, contact your service representative.

ANS9254E Error encountered while adding implicit excludes to the include-exclude list.

Explanation: Error encountered when implicitly excluded files are being added to the include-exclude list.

System Action: TSM cannot proceed.

User Response: Retry the operation. If the problem persists, contact your service representative.

ANS9255E *program-name*: invalid value found in the dsmmigfstab file for file system *file-spec*.

Explanation: TSM detects invalid values in the dsmmigfstab file. The entry that contains the invalid values is for file system *file-spec*

System Action: TSM cannot perform migration until the error is corrected in the table.

User Response: Find the invalid values in the table entry and correct them using the dsmmigfs command or the HSM graphical user interface.

ANS9256E File '*file-namefile-namefile-name*' is currently opened by another process. File skipped.

Explanation: The specified *file-name* was not migrated because the file was open by one or more other processes.

System Action: TSM left the file resident.

User Response: If you want the file migrated, stop the processes which currently have the file open and retry the migration.

ANS9257E Server '*server-name*' does not support space management.

Explanation: The specified *server-name* does not support space management. It is a downlevel server, or a platform that does not support space management.

System Action: TSM failed the operation.

User Response: If you want to use the space management function, make sure you connect to a server that supports space management.

-
- ANS9263W** *program-name: cannot reserve transition stub file for file system file-system: reason.*
- Explanation:** TSM cannot reserve transition stub file. TSM tries to reserve some space for the transition stub file for emergency cases. At this point, there is either not enough space or inodes to allow the reservation. The attempt to reserve the transition stub file will be made again during reconciliation.
- System Action:** TSM cannot reserve space for the transition stub files. Processing continues.
- User Response:** If possible, make more space or inodes available and run reconciliation.
-
- ANS9264E** *program-name: TSM space management does not support file systems with mount points that are relative paths or contain symbolic links.*
- Explanation:** TSM does not support adding space management to file systems with mount points which are either relative path names or contain symbolic links.
- System Action:** TSM does not add space management to the file system.
- User Response:** Change the file system mount point so that it is not a relative path or does not contain symbolic links, and then retry the operation.
-
- ANS9267E** *program-name: File system file-system has exceeded its quota.*
- Explanation:** TSM detects that the file system has exceeded its quota. No more data can be migrated out of this file system.
- System Action:** TSM will not migrate files from this file system.
- User Response:** Recall some files, or ask the system administrator to increase the quota for this file system.
-
- ANS9280E** *program-name: cannot get space management kernel extension ID. Error : error.*
- Explanation:** The program cannot determine the level of space management client kernel extension.
- System Action:** TSM stops the operation.
- User Response:** Ensure that space management is installed correctly, and then retry the operation. If the problem continues, check with your system administrator.
-
- ANS9281E** **Space management kernel extension is downlevel from the user program.**
- Explanation:** The space management kernel extension on the system is downlevel from the user program that is currently running. Unexpected results may occur.
-

System Action: TSM stops processing the kernel extension.

User Response: Upgrade the space management kernel extension to the correct level, and then retry the operation.

ANS9282E **User program is downlevel from the space management kernel extension.**

Explanation: The user program that is currently running is downlevel from the space management kernel extension on the system. Unexpected results may occur.

System Action: TSM stops processing the extension.

User Response: Upgrade the user program to the correct level, and then retry the operation.

ANS9283K **Attempting to access remote file.**

Explanation: The space management kernel extension is attempting to access a file that is not stored locally. If the file is migrated, TSM is attempting to access it from an TSM space management server.

System Action: TSM waits for the kernel to access the file.

User Response: None.

ANS9284K **File access waiting for migration to complete.**

Explanation: The file being accessed is currently being migrated. Access to this file must wait until the migration process is finished.

System Action: TSM waits until the file migration is completed.

User Response: None.

ANS9285K **Cannot complete remote file access.**

Explanation: The space management kernel extension cannot complete the remote file access. The file may be migrated to an TSM migration server. The file cannot be recalled to the local machine. The server could be temporarily disabled.

System Action: TSM terminates the current operation.

User Response: Check to see whether the server has been disabled by the system administrator, then retry the operation.

ANS9286K **File migration has been discontinued.**

Explanation: Migration stops because the file is being migrated by another process.

System Action: TSM terminates the current operation.

User Response: None.

ANS9287I **Out of free space or inodes in file system *file-system* to migrate or recall.**

Explanation: The file system is full. No more free space or free inodes can be allocated for the transaction file that is required for migration or recall.

System Action: TSM terminates the current operation for this file system.

User Response: Remove some files from the file system, and then run reconciliation. Retry the operation.

ANS9288I **File *file-name* of size *file-size* is too small to qualify for migration.**

Explanation: The file is smaller than the minimum size required for migration. A file is considered for migration only if its size is greater than both the stub file size specified for the file system plus 1 byte and the block size defined for the file system.

System Action: TSM does not migrate this file because it will not free additional space.

User Response: None.

ANS9289I **Object '*dir-name*' is a directory. It is skipped for migration.**

Explanation: The object is a directory. It is not migrated. Space management does not migrate directories.

System Action: TSM does not migrate this object because it is a directory.

User Response: None.

ANS9290I **File *file-name* of type *file-type* is skipped for migration.**

Explanation: The file either cannot be read, is not a regular file, or its type is unknown to space management. Space management only migrates regular files and does not migrate directories.

System Action: TSM does not migrate this file.

User Response: None.

ANS9291E

program-name: **A conflicting space management program is already running in the file-system file system. Re-run this program later in this file system.**

Explanation: TSM detected another program running in the file system that cannot run at the same time as the program your tried to initiate. The following programs cannot run at the same time for a file system:

dsmreconcile
dsmautomig
dsmmigfs remove.

Also, dsmmigfs remove cannot run while a migration process is running in the file system.

System Action: TSM will not run the program at this time.

User Response: Try running the program later.

ANS9292E

program-name: **Cannot access lock file lock-file/lock-filelock-file: error**

Explanation: TSM cannot access a lock file due to an error. The lock file provides serialization of certain programs to prevent conflicting processes from running at the same time.

System Action: TSM will not run the program at this time.

User Response: Check the permissions on the directories leading up to the lock file and also the permissions on the program executable.

ANS9293E

TSM space management cannot access ERRORPROG error-program:error

Explanation: TSM encountered an error trying to access the program specified with the ERRORPROG option in your client system options file (dsm.sys). This message will appear only the first time this error occurs.

System Action: TSM cannot send a severe error message to the specified error message program.

User Response: Check to make sure the program exists and that it accepts standard input when run. It is usually best if ERRORPROG specifies the fully qualified file name of the program.

ANS9294I

No files matching 'file-name' were found.

Explanation: You entered a search pattern or file name that cannot be found in the local file system.

System Action: Processing stopped.

User Response: Ensure that your search pattern is correct, or specify a new search string.

ANS9297I File *file-name* is skipped for migration: No backup copy found.

Explanation: A management class is assigned to the file with the attribute MIGREQUIRESBKUP set to YES. This requires a current backup copy of the file before migration. However, there is no backup copy found on the migration server. This file will not be migrated. Note: TSM checks only the migration server for a backup copy. If the migration server and backup server are different servers, TSM does not find a backup copy of the file.

System Action: TSM does not migrate this file.

User Response: Back up this file on the migration server, or assign a management class to this file that does not require a current backup copy. Retry the operation.

ANS9298I File *file-name* is skipped for migration: Backup copy found is not current.

Explanation: A management class is assigned to the file with the attribute MIGREQUIRESBKUP set to YES. This requires a current backup copy of the file before migration. However, the backup copy found on the migration server is an old version. This file will not be migrated. Note: TSM checks only the migration server for a backup copy. If the migration server and backup server are different servers, there must be a valid backup copy of the file on the migration server.

System Action: TSM does not migrate this file.

User Response: Back up the current file on the migration server, or assign a management class to this file that does not require a current backup copy. Retry the operation.

ANS9299I Cannot get the number of migrated files for file system *file-system*.

Explanation: Failed to get the number of migrated files on the file system. The number is stored in the status file for the file system.

System Action: If you are removing space management from the file system, processing stops. Space management is not removed.

User Response: Run reconciliation to reconcile the file system. Retry operation.

ANS9300I Migrated files found in file system *file-system*. Check for any error encountered during recall.

Explanation: Remove space management failed because there are migrated files in the file system. TSM was unable to recall any files, or some of the migrated files may have failed during a recall operation.

System Action: TSM remove processing stops.

User Response: Check for error messages that occurred during the recall process, correct any problems, and retry the remove process.

ANS9301I

Cannot remove the entry for *file-system* from the dsmmigfstab file.

Explanation: The entry for the file system in the dsmmigfstab file cannot be removed. Possible reasons:

- Not enough memory to create temporary file name for temporary file system table.
- Not enough free space or inodes to create temporary file system table
- Cannot open the real and/or temporary file system table files.

System Action: TSM does not remove the entry from the dsmmigfstab file.

User Response: Manually edit the dsmmigfstab file and delete the entry.

ANS9302E

Mount FSM: ERROR - *file-system* is not in the dsmmigfstab file. Check the /etc/adsm/SpaceMan/config/dsmmigfstab file, or add space management to the file system.

Explanation: TSM cannot mount the file system because it is not listed in the dsmmigfstab file.

System Action: TSM does not mount the FSM to the file system.

User Response: If you previously added space management to the file system, check the /etc/adsm/SpaceMan/config/dsmmigfstab file to see whether the entry has been removed or commented out. If you want to add space management to the file system, use 'dsmmigfs add'.

ANS9303E

Mount FSM: ERROR - file system type 'FSM' was not found. TSM space management is not installed correctly. Please read the space management documentation for installation instructions.

Explanation: TSM cannot mount the file system because the file 'FSM' entry is missing from /etc/vfs.

System Action: TSM does not mount the FSM to the file system.

User Response: AIX only. TSM space management is not installed correctly. Read the space management documentation for installation instructions.

ANS9304E

Mount FSM: ERROR - invalid source (object) path '*source-path*': error

Explanation: TSM cannot mount the file system due to an invalid path.

System Action: TSM does not mount the FSM to the file system.

User Response: Correct the problem and retry the mount.

ANS9305E	Mount FSM: ERROR - invalid mount (stub) path '<i>mount-path</i>': error Explanation: TSM cannot mount the file system due to an invalid path. System Action: TSM does not mount the FSM to the file system. User Response: Correct the problem and retry the mount. Make sure the directory exists.
ANS9306E	Mount FSM: ERROR - <i>mount-path</i> must be a directory Explanation: TSM cannot mount the file system because the mount path is not a directory. System Action: TSM does not mount the FSM to the file system. User Response: Correct the problem and retry the mount. Make sure the mount path is a directory.
ANS9307W	Mount FSM: TSM space management is already mounted on <i>mount-path</i> Explanation: TSM cannot mount the file system because the file system is already mounted. System Action: TSM does not mount the FSM to the file system. User Response: None.
ANS9308E	Mount FSM: ERROR - <i>mount-path</i> is not a supported native file system Explanation: TSM cannot mount the file system because it is not a supported native file system. System Action: TSM does not mount the FSM to the file system. User Response: The file system must be one of the supported native file systems in order for the TSM space management to mount it.
ANS9309I	Mount FSM: TSM space management mounted on <i>mount-path</i> Explanation: TSM successfully mounted the FSM to the file system. System Action: TSM space management now manages the file system. User Response: None.

ANS9310E **Mount FSM: ERROR - cannot FSM mount** *source-path on mount-path: error*
Explanation: TSM cannot mount the file system due to the specified error.
System Action: TSM does not mount the FSM to the file system.
User Response: Correct the problem and retry the mount.

ANS9311E **Mount FSM: ERROR - cannot unlock file system, internal error:** *error*
Explanation: TSM cannot unlock the internal file system lock.
System Action: TSM does not allow non-root user access to the file system.
User Response: Attempt to unmount the file system, and try the mount again. If the problem continues, contact your service representative.

ANS9312S *program-name: Cannot change owner/group on file: file-name: error*
Explanation: TSM cannot change the ownership or group, or both for the specified file. This change is necessary for space management to run properly.
System Action: TSM cannot continue processing.
User Response: Ensure that directory permissions allow the file owner or group to be changed. Reissue the command.

ANS9313I **One or more files will be retrieved from or stored to offline media.**
Explanation: For the backup or archive operation, one or more files must be sent to offline storage media (generally tape), or a migrated file must be recalled from offline storage media. The waiting time depends on your site's offline storage management policies.
System Action: TSM waits for offline storage media to become available and then continues.
User Response: None.

ANS9318W *program-name: error encountered while undeleting file system file-system.*
Explanation: TSM encountered an error performing undelete on the file system.
System Action: TSM continues.
User Response: Continue with normal operation.

ANS9400W *program-name:* **Recovered *program-name*. The daemon was either not started or in corrupted state.**

Explanation: TSM HSM daemon breakdown with automatic recovery by the dsmwatchd.

System Action: Restarting the daemon.

User Response: Continue with normal operation.

ANS9401E *program-name:* **Cannot kill recall daemon.**

Explanation: TSM A request for killing the recall daemon failed. This may happen during node failover.

System Action: none.

User Response: Continue with normal operation unless further errors occur.

ANS9402E *program-name:* **Cannot notify to recover HSM operations on a failure node.**

Explanation: TSM In order to takeover the functionality of a malfunctional partner node the dsmwatchd must notify the local daemons.

System Action: none.

User Response: Contact service representative.

ANS9403E *program-name:* **The local HSM functionality cannot be recovered. Trying to initiate failover to another node.**

Explanation: TSM If the GPFS daemon crashes or the local HSM daemons cannot perform their function for whatever reason the dsmwatchd will try to migrate the functionality to another node.

System Action: Migrate HSM functionality to another node.

User Response: Check failure node. It may be necessary to recover the local GPFS daemon.

ANS9404W *program-name:* **Received failover request from node ID with frame ID . Trying to takeover remote filesystems.**

Explanation: TSM The local dsmwatchd received a notification about a failing HSM node. It will try to takeover its managed filesystems.

System Action: HSM will try to takeover the managed filesystems from a failure node.

User Response: Check failure node.

ANS9405W *program-name: The takeover of filesystem path succeeded.*

Explanation: TSM During a failover scenario the local node will try to takeover the managed filesystems of a failure node.

System Action: HSM will try to takeover the managed filesystems from a failure node.

User Response: Check failure node.

ANS9410E *program-name: Shutting down the local HSM functionality.*

Explanation: TSM After a HSM failure the local HSM daemons get disabled.

System Action: Disable HSM locally.

User Response: Check node consistency.

ANS9411E *program-name: Unable to leave the failover group due to problems with SP Group Services.*

Explanation: TSM To disable the failover mechanism locally HSM must log off from the SP wide Group Service. This attempt did not succeed.

System Action: None.

User Response: Check SP Group Service for consistency.

ANS9412E *program-name: Failover is disabled on the local machine. Aborting failover ...*

Explanation: TSM Failover operations were disabled either by the system or the user.

System Action: None.

User Response: Check failover policy if necessary.

ANS9413W *program-name: The remote node was able to recover from failure situation. Aborting takeover ...*

Explanation: The remote dsmwatchd was able to recover from the failure situation during the local takeover operation.

System Action: None.

User Response: Check failure node for consistency.

-
- ANS9414E** *program-name: Unable to create file-name in the SDR. Aborting ...*
Explanation: An update of an SDR object failed.
System Action: Aborting operation.
User Response: Check SDR consistency.
-
- ANS9415W** *program-name: The HSM service provider on Node ID: node with Frame ID: frame left the failover group voluntarily.*
Explanation: Failover was disabled on a remote HSM node.
System Action: None.
User Response: None.
-
- ANS9416W** *program-name: The HSM service provider on Node ID: node with Frame ID: frame joined the failover group.*
Explanation: TSM Failover was activated on a remote HSM node.
System Action: None.
User Response: None.
-
- ANS9417E** *program-name: The synchronization between the dsmmigfstab as stored in the SDR and the local dsmmigfstab failed. Aborting operation ...*
Explanation: For unknown reasons it was not possible to merge the local dsmmigfstab with the node set version of the file. Manual correction required.
System Action: Aborting operation.
User Response: Please correct and merge /etc/adsm/SpaceMan/config/dsmmigfstab with /etc/adsm/SpaceMan/config/dsmmigfstab.old manually. Then store the resulting file to the SDR via SDRReplaceFile localFile dsmmigfs.ID If the problem is not resolved, call your service representative.
-
- ANS9418W** *program-name: File file-name is locked at the moment. Will try to acquire the SDR lock in a few seconds again.*
Explanation: SP-wide files are stored in the SDR. These files can be accessed as soon as it is possible to set a certain SDR lock. If a second process holds this lock, access to the file is denied till the lock is released.
System Action: TSM None.
-

User Response: Wait. If the situation does not get resolved within a reasonable amount of time (about 1 min.), execute dsmmigfs SDRreset. This will reset all activated locks in the SDR for the local GFPS node set.

ANS9419E *program-name:* **The filesystem *filesystem-name* is either already managed locally or under the control of a remote HSM instance.**

Explanation: A GPFS filesystem can be managed just once.

System Action: Aborting operation.

User Response: Execute dsmmigfs query -detail to have a look at the current HSM configuration within the local GFPS node set.

ANS9420E *program-name:* **An update of the configuration files in the SDR is not allowed as long as failover is disabled on the local machine.**

Explanation: You cannot update configuration files in the SDR when failover is disabled on the local machine.

System Action: TSM Aborting operation.

User Response: Do nothing, or activate failover by using dsmmigfs enableFailover before running dsmmigfs SDRupdate.

ANS9421W *program-name:* **Recovered from Lock on SDR File *file-name***

Explanation: This output relates to ANS9418W. A previously blocked SDR file got unlocked.

System Action: TSM continues.

User Response: None.

ANS9422E *program-name:* **It was not possible to access the SDR File *file-name* within an appropriate amount of time. Aborting operation ...**

Explanation: This output relates to ANS9418W. A file in the SDR remains blocked.

System Action: Aborting operation.

User Response: If the problem persists execute dsmmigfs SDRreset.

ANS9423E *program-name:* **Setting the default partition name failed! Aborting operation ...**

Explanation: The application needs to have access to the SP Group Services. In this context it tries to extract the default partition name for the local system as provided by spget_syspar. The data extraction failed.

System Action: Aborting operation.

User Response: Check node consistency.

ANS9424E *program-name:* **Severe problem! It was not possible to send a message to the SP Group Services.**

Explanation: The Failover environment requires proper access to the SP Group Services. The distribution of a message failed.

System Action: Aborting operation.

User Response: Check node consistency.

ANS9425E *program-name:* **It was not possible to notify the dsmwatchd in order to distribute a message within the failover group. The data of the current operation may get lost.**

Explanation: Some HSM commands need to inform the dsmwatchd about the current operation. This notification failed.

System Action: Aborting operation.

User Response: Restart the GPFS daemon and check that the DMApi support is active by executing `/usr/lpp/mmfs/bin/mmlsfs deviceName`.

ANS9428E *program-name:* **The takeover of filesystem `filesystem` failed.**

Explanation: A remote node requested the takeover of a filesystem but the local activation failed.

System Action: Aborting operation.

User Response: Check whether the filesystem gets managed by another node. If not, recover the initial node and restart the HSM service.

ANS9432E **Severe problem! It was not possible to start the dispatcher thread for the communication with the SP Group Services. The failover environment is in corrupted state now.**

Explanation: Unable to start required thread.

System Action: Aborting operation.

User Response: Check node consistency.

ANS9433E *program-name:* **dm_send_msg failed with errno Errno.**

Explanation: Unable to execute DMApi call.

System Action: Aborting operation.

User Response: Check consistency of the GPFS daemon.

ANS9442E *program-name:* **It appears that another dsmmigfs add/rem/update command is in process within the local GPFS nodeset. Please wait a few moments, then repeat the operation. If a previous dsmmigfs command was aborted, there could be a stale lock in the SDR. If so, run dsmmigfs SDRreset to fix the problem.**

Explanation: There can only be one instance of dsmmigfs add/rem/update running within a GPFS nodeset at the same time.

System Action: Aborting operation.

User Response: Wait for a bit and try again. If no other instance of dsmmigfs is running within the local GPFS nodeset run dsmmigfs SDRreset.

ANS9443E *program-name:* **The operation cannot be executed in a deactivated failover environment.**

Explanation: The operation relies on an active failover environment.

System Action: Aborting operation.

User Response: Run dsmmigfs enableFailover on the local node and repeat the operation.

ANS9449W *program-name:* **Forced deactivation of the local failover environment!**

Explanation: TSM Failover was initiated or a problem with the group services occurred.

System Action: Continuing failover or aborting operation.

User Response: Check HSM and SP Group Services environments. Execute dsmmigfs enableFailover after resolving the problem.

ANS9450W *program-name:* **No eligible filesystem for takeover.**

Explanation: None of the locally mounted GPFS filesystems matches with the remotely managed filesystems of the failure node.

System Action: Aborting takeover operation.

User Response: Check that the filesystems of the remote failure node get managed elsewhere within the node set.

ANS9451E *program-name:* **GPFS or the SP switch is down locally. Aborting takeover activities ...**

Explanation: TSM GPFS is not functional locally.

System Action: Aborting takeover operation.

User Response: Check switch and VSD status. The local system must be unfenced.

ANS9452E *program-name:* **The DMApi is not functional locally. Aborting takeover activities ...**

Explanation: The operation stopped because the DMApi interface is not accessible.

System Action: Aborting takeover operation.

User Response: Check GPFS status.

ANS9453W *program-name:* **Performing synchronization between the local and global configuration.**

Explanation: The local node received a request from a remote node to synchronize with the global SDR configuration.

System Action: Synchronisation proceeds.

User Response: None.

ANS9454W *program-name:* **Performing synchronization between the local and global file event handling.**

Explanation: The local node received a request from a remote node to synchronize with the global file event handling (DMApi event disposition).

System Action: Synchronisation proceeds.

User Response: None.

ANS9455E *program-name:* **Unable to join the local failover group with rc=return-code!**

Explanation: SP Group services reported a problem accessing/creating an HSM group.

System Action: Aborting operation.

User Response: Check PSSP environment on the local node.

ANS9456W

program-name: **Unable to subscribe to the local failover group with rc=return-code!**

Explanation: SP Group services reported a problem subscribing to the HSM group.

System Action: Aborting operation.

User Response: Check PSSP environment on the local node.

ANS9457W

program-name: **Subscribed successfully to the local failover group!**

Explanation: Subscribing to the Group Services HSM failover group succeeded.

System Action: Processing continues.

User Response: None.

ANS9458W

program-name: **Joined successfully to the local failover group!**

Explanation: Joining the Group Services HSM failover group succeeded.

System Action: Processing continues.

User Response: None.

ANS9500W

program-name: **cannot disposition the mount event. Reason: error**

Explanation: The system wide mount event could not be dispositioned. Mount events will not be received by this daemon.

System Action: TSM continues.

User Response: Try to resolve the problem and restart the recall daemon. If the problem cannot be resolved immediately, kill and restart the recall daemon after an TSM space management supported file system has been added using dsmmigfs or after a file system has been mounted using the mount command.

ANS9501W

program-name: **cannot set event disposition on session *session* for file system *mountdir* token = *token*. Reason : error**

Explanation: Events could not be dispositioned on the file system. No events will be received for this filesystem. HSM is not enabled for this file system.

System Action: TSM continues.

User Response: The file system must be one of the supported native file systems in order for the TSM space management to support it. Verify that the mount options the file system are correct. Correct the problem and remount the file system.

ANS9502W *program-name: cannot remove event disposition on session *session* for file system *mountdir* token = *token*. Reason : error*

Explanation: Event dispositions could not be removed from the file system.

System Action: TSM continues.

User Response: Correct the problem and retry the operation.

ANS9503I *program-name: events have been set and dispositioned on session *session* for file system *filesystem-name**

Explanation: Setting events and dispositioning these on a DM session enables the file system for TSM space management support.

System Action: TSM continues.

User Response: Continue with normal operation.

ANS9504W *program-name: The file system *filesystem-name* is not mounted or is mounted with wrong options.*

Explanation: Either the file system is not mounted or it has been mounted with incorrect options.

System Action: TSM continues.

User Response: Mount the file system or remount it with corrected mount options.

ANS9505E *program-name: cannot initialize DM services. Reason: error*

Explanation: TSM space management cannot initialize the DM services.

System Action: TSM cannot start space management support.

User Response: Correct error and retry operation. Make sure that DM services have been installed on the system (Hierarchical Storage Management Support).

ANS9506E *program-name: cannot query the right on session *session* token = *token*. Reason : error*

Explanation: TSM space management cannot query the right that is held on a file during the recall process.

System Action: Processing of the file is interrupted.

User Response: Continue with normal operation.

ANS9507E *program-name: cannot request the right on session session for file handle filehandle token = token. Reason : error*

Explanation: TSM space management cannot request the required right on a file.

System Action: Processing of the file is interrupted.

User Response: Continue with normal operation.

ANS9508W *program-name: cannot release the right on session session for file handle = filehandle token = token. Reason : error*

Explanation: TSM space management cannot release the right on a file.

System Action: Processing of the file is interrupted.

User Response: Continue with normal operation.

ANS9509W *program-name: received an unexpected event of type event-type on session session.*

Explanation: TSM space management daemon received an unexpected event. This event has not been dispositioned.

System Action: TSM ignores event and continues.

User Response: Continue with normal operation.

ANS9510E *program-name: cannot get event messages from session session, expected max message-length = msglen, returned message-length = return-length. Reason : error*

Explanation: TSM space management encountered an error while trying to receive a message on a DM session.

System Action: TSM continues.

User Response: Continue with normal operation.

ANS9511E *program-name: cannot read DM attributes on session session for file handle = handle token = token. Reason : error*

Explanation: TSM space management cannot read the DM attributes of a DM object, usually a file.

System Action: Processing of the file is interrupted.

User Response: Continue with normal operation.

-
- ANS9512E** *program-name: cannot set DM attributes on session session for file handle = filehandle token = token. Reason : error*
- Explanation:** TSM space management cannot set DM attributes for a DM object, usually a file.
- System Action:** Processing of the file is interrupted.
- User Response:** Continue with normal operation.
-
- ANS9513E** *program-name: cannot remove DM attributes on session session for file handle = filehandle token = token. Reason : error*
- Explanation:** TSM space management cannot remove DM attributes for a DM object, usually a file.
- System Action:** Processing of the file is interrupted.
- User Response:** Continue with normal operation.
-
- ANS9514E** *program-name: cannot create a file handle from path. Reason: error*
- Explanation:** TSM space management cannot create a file handle from the given file.
- System Action:** Processing of the file is interrupted.
- User Response:** Continue with normal operation.
-
- ANS9515E** *program-name: cannot set the migration information. Reason: error*
- Explanation:** TSM space management cannot set the migration information of a file, because space management cannot create a file handle from the file and/or from the file system.
- System Action:** Processing of the file is interrupted.
- User Response:** Continue with normal operation.
-
- ANS9516E** *program-name: cannot create an user event message on session session. Reason: error*
- Explanation:** TSM space management cannot create an user event message, needed to reference rights on a file to be processed.
- System Action:** Processing of the file is interrupted.
- User Response:** Continue with normal operation.
-

ANS9517E *program-name: cannot clear all event messages from session session. Reason: error*

Explanation: TSM space management is in the process of destroying a DM session. There are still - unexpected - event messages on this session that could not be responded to.

System Action: TSM DM session is not destroyed.

User Response: See your system administrator.

ANS9518E *program-name: cannot respond to an event message on session session using token token Reason : error*

Explanation: An event message could not be responded to (returned to the system).

System Action: TSM space management continues.

User Response: If a user process is unexpectedly blocked and cannot be killed, see your system administrator.

ANS9519W *program-name: cannot set eventlist for a file system on session session token = token fs-handle = fs-handle. Reason : error*

Explanation: An eventlist could not be set on a file system. None of the events will be generated by the system on this file system.

System Action: TSM space management continues.

User Response: Resolve the problem and retry the operation.

ANS9520E *program-name: cannot set a managed region on session session for file handle = filehandle token = token. Reason : error*

Explanation: A managed region could not be set on a file. No events will be generated for this file.

System Action: Processing of the file is interrupted.

User Response: If this error recurs, see your system administrator.

ANS9521E *program-name: cannot get the file attributes on session session for file handle = handle token = token. Reason : error*

Explanation: TSM space management cannot read the attributes of a file.

System Action: Processing of the file is interrupted.

User Response: If this error recurs, see your system administrator.

-
- ANS9522E** *program-name: file for migration has changed - migration skipped for file handle = filehandle*
- Explanation:** The file in migration has been modified.
- System Action:** TSM stopped migration of the file.
- User Response:** Retry operation.
-
- ANS9523E** *program-name: is unable to verify the stubsize for the file on session session file handle = filehandle token = token. Reason : error*
- Explanation:** A correct stubsize could not be determined by the system.
- System Action:** TSM stopped migration of the file.
- User Response:** Resolve the problem and retry the operation.
-
- ANS9524W** *program-name: adjusted stubsize to an allowed value on session session file handle = filehandle token = token old stubsize = old-size new stubsize = new-size*
- Explanation:** The predefined stubsize for the file was not valid. The system corrected the stubsize.
- System Action:** TSM space management continues.
- User Response:** Continue with normal operation.
-
- ANS9525E** *program-name: is unable to create a stubfile on session session for file handle = handle token = token. Reason : error*
- Explanation:** An error occurred while creating a stub file.
- System Action:** Processing of the file is interrupted.
- User Response:** Continue with normal operation.
-
- ANS9526E** *program-name: cannot open the state file filename for writing. Reason: error*
- Explanation:** The state file (global or file system state file) could not be opened.
- System Action:** TSM stops processing.
- User Response:** Resolve the problem and retry the operation.
-
- ANS9527E** *program-name: cannot write to the state file filename. Reason: error*
- Explanation:** TSM space management could not write to the state file.
- System Action:** TSM stops processing.
-

User Response: Resolve the problem and retry the operation.

ANS9528W

program-name: **cannot read from the state file filename.** **Reason:** error

Explanation: TSM space management could not read from the state file.

System Action: TSM stops processing.

User Response: Resolve the problem and retry the operation.

ANS9529W

program-name: **cannot obtain handle of file system state file**

Explanation: TSM space management could not find the handle of a file system state file, that is stored in the global state file. This can be true if either space management is querying a file system that has no HSM support added, or the file system state file is corrupted, or the global state file is corrupted.

System Action: TSM continues or stops processing, depending on the situation.

User Response: If processing has stopped, resolve the problem and retry the operation.

ANS9530W

program-name: **cannot remove an entry for file-system from the global state file.**

Explanation: The entry for the file system in the dmiFSGlobalState file cannot be removed. Possible reasons:

- Not enough memory to create temporary file name for temporary file system table.
- Not enough free space or inodes to create temporary file system table
- Cannot open the real and/or temporary file system table files.

System Action: TSM does not remove the entry from the global state file.

User Response: Resolve the problem and retry the operation.

ANS9531E

program-name: **cannot create a DM session: old session = oldsession session info = session-info.** **Reason :** error

Explanation: TSM space management could not create a DM session.

System Action: TSM stops processing.

User Response: See your system administrator.

ANS9532W

program-name: **cannot destroy the session session.** **Reason:** error

Explanation: TSM space management could not destroy a DM session.

System Action: TSM continues.

User Response: See your system administrator.

ANS9533W *program-name: failed getting all sessions. Reason: error*

Explanation: TSM space management could not get all DM sessions on the system.

System Action: TSM stops processing.

User Response: See your system administrator.

ANS9534W *program-name: cannot query a session. Reason: error*

Explanation: TSM space management could not query a DM session on the system.

System Action: TSM continues.

User Response: Continue with normal operation.

ANS9535E *program-name: a file handle could not be created from the file descriptor file-descriptor. Reason: error*

Explanation: TSM space management could not create a file handle.

System Action: Processing of the file is interrupted.

User Response: If this error recurs, see your system administrator.

ANS9536W *program-name: the file system filesystem-name could not be unmounted. Reason : error*

Explanation: The file system could not be unmounted to remove HSM support option from the mount command. HSM has been removed from the file system. All files on the file system are local. No migration will be possible.

System Action: TSM continues.

User Response: Resolve the problem and remount the file system according to the entry in /etc/fstab.

ANS9537E *program-name: the file system filesystem-name could not be mounted. Reason : error*

Explanation: The file system could not be mounted.

System Action: TSM stops processing.

User Response: Resolve the problem and retry the operation.

ANS9538W *program-name: request request for DM file attributes not recognized*

Explanation: An unknown request type has been encountered that cannot be handled.

System Action: TSM continues.

User Response: Continue with normal operation.

ANS9539E *program-name: cannot create a file system handle from the file handle = filehandle. Reason : error*

Explanation: A file system handle could not be created from a file handle.

System Action: TSM continues.

User Response: Continue with normal operation.

ANS9542E *program-name: the file attributes could not be set on session session for file handle = filehandle token = token flag = flag Reason : error*

Explanation: TSM space management could not update file attributes.

System Action: Processing of the file is interrupted.

User Response: If this error recurs, see your system administrator.

ANS9543W *program-name: cannot reserve blocks for nospace condition on file system filesystem-name. Reason: error*

Explanation: TSM space management could not reserve blocks on the file system to be used in a nospace condition.

System Action: TSM continues.

User Response: Resolve the problem, then restart the monitor daemon.

ANS9544W *program-name: cannot obtain allocation info on session sessionL file handle = filehandle token = tokenL offset=offsetL number of extents = nextents (returned = nreturned) Reason: error*

Explanation: TSM space management could not get allocation information of a file.

System Action: Processing of the file is interrupted.

User Response: If this error recurs, see your system administrator.

ANS9545E *program-name: cannot get lock for lockdirlockfile to continue processing.*

Explanation: TSM space management could not obtain a lock for a file.

System Action: Processing stopped.

User Response: Resolve the problem and retry the operation.

ANS9546I **Attempting to access remote file.**

Explanation: A process is attempting to access a file that is not stored locally.

System Action: waits for space management to recall the file.

User Response: Continue with normal operation.

ANS9547W **File access denied because file is in migration.**

Explanation: The file being accessed is currently being migrated. Access to this file is denied during the migration process.

System Action: Retry after migration has been completed.

User Response: Continue with normal operation.

ANS9548W **Cannot complete remote file access.**

Explanation: TSM space management cannot complete the remote file access. The file may be migrated to an TSM migration server. The file cannot be recalled to the local machine. The server could be temporarily disabled.

System Action: TSM terminates the current operation.

User Response: Check to see whether the server has been disabled by the system administrator, then retry the operation.

ANS9549W **File migration has been discontinued.**

Explanation: Migration stops because the file is being migrated by another process or a system error occurred.

System Action: TSM terminates the current operation.

User Response: Continue with normal operation.

ANS9550W **File recall has been discontinued.**

Explanation: Recall stops because the file being recalled would cause the file system to run out of space.

System Action: TSM terminates the current operation.

User Response: Increase the file system space, or remove unneeded files, or wait until space management has migrated files off the file system by demand or threshold migration, or manually migrate files. Then retry the operation.

ANS9552E *program-name: cannot add fsm to file-system; path includes non-local file system.*

Explanation: An attempt was made to add space management to a file system whose path contains non-local elements.

System Action: Processing stopped.

User Response: File system must be entirely local.

ANS9553I **Wrote temporary candidates list to *file-name*.**

Explanation: Due to out of space condition, the candidates list was written to the named temporary file.

System Action: Temporary file created.

User Response: Temporary file can be copied to the appropriate .SpaceMan directory when space is made available.

ANS9554I **Object '*dir-name*' is a directory. It is skipped for recall.**

Explanation: The object is a directory. It is not recalled. Space management does not migrate and recall directories.

System Action: TSM does not recall this object.

User Response: None.

ANS9555W *program-name: This TSM daemon requires cell_admin's password to refresh its DCE ticket. Please enter your DCE password:*

Explanation: The DCE ticket expires after a certain time and the TSM daemons require cell_admin's password to refresh their access privileges. This procedure can be automated by storing the password in /etc/security/adsm/dcepasswd.

System Action: The system waits for your password.

User Response: Enter your password.

ANS9556W *program-name:* **Your account does not allow access to the DCE registry database! Aborting ...**

Explanation: Certain programs require full cell administrator privileges. Otherwise, the start-up permission is not granted.

System Action: The program aborts the operation.

User Response: Contact your cell administrator.

ANS9557W *program-name:* **It was not possible to renew the DCE ticket for an TSM daemon! Please restart! Aborting ...**

Explanation: There may be some situation where the TSM daemons fail to renew their DCE ticket (for example, if the password for cell_admin is changed).

System Action: The program aborts the operation.

User Response: Restart dsmonitord and dsmrecaIld with proper privileges.

ANS9559W *program-name:* **Cannot extract cell properties! Aborting ...**

Explanation: There may be some situation where it is not possible to extract necessary cell information (for example, if the DCE daemons are not started properly).

System Action: The program aborts the operation.

User Response: Check your DCE environment.

ANS9561W *program-name:* **Cannot extract your account information from the DCE registry! Aborting ...**

Explanation: There may be some situation where it is not possible to extract necessary account information (for example, if the DCE daemons are not started properly).

System Action: The program aborts the operation.

User Response: Check your DCE environment.

ANS9562W *program-name:* **Your account does not allow access to the DCE registry database! Aborting ...**

Explanation: There may be some situation where it is not possible to extract DCE registry information (for example, if the DCE daemons are not started properly).

System Action: The program aborts the operation.

User Response: Check your DCE environment.

ANS9563W *program-name:* **The minimum certificate lifetime must be longer than 2 hours. Aborting ...**

Explanation: The minimum DCE ticket lifetime has to be longer than 2 hours to ensure that long operations have enough time to fullfill their tasks.

System Action: The program aborts the operation.

User Response: Set DCE ticket lifetime to a value greater than 2 hours.

ANS9564W *program-name:* **Severe problem! Cannot access the dfstab and/or filesystem list!**

Explanation: TSM requires access to the /opt/dcelocal/var/dfs/dfstab and the filesystem table.

System Action: None

User Response: Repeat operation. If the problem persists, contact your system and/or cell administrator.

ANS9565W *program-name:* **Severe problem! Cannot access the dfstab!**

Explanation: TSM requires access to the /opt/dcelocal/var/dfs/dfstab.

System Action: None

User Response: Repeat operation. If the problem persists, contact your system and/or cell administrator.

ANS9566W *program-name:* **Failed to analyse path path!**

Explanation: The TSM DFS HSM client works within HSM managed DCE environments only.

System Action: The program aborts the operation.

User Response: Contact your system and/or cell administrator.

ANS9567W *program-name:* **The provided password failed for the cell root account!**

Explanation: Several TSM commands require cell root privileges to perform security sensitive tasks. The password for the account can be supplied via dsmdcepasswd.

System Action: The program aborts the operation.

User Response: Execute dsmdcepasswd.

ANS9568W *program-name:* **Aggregate aggregate-name is going to be DETACHED from the cell !!! You have 5 seconds to intervene via CTRL-C!**

Explanation: Activating HSM may require detaching aggregates from your cell to install DMApi support. All file operation within the aggregate will fail for this period.

System Action: The system waits 5 secs before the program continues.

User Response: Wait and grant the detachment or interrupt.

ANS9569W *program-name:* **Please specify the name of the aggregate!**

Explanation: Some programs require the name of an aggregate as a parameter.

System Action: The program aborts the operation.

User Response: Restart the program with an aggregate name.

ANS9570W *program-name:* **Aggregates without any fileset cannot be HSM managed!**

Explanation: An aggregate has to include at least one fileset to be HSM managed

System Action: The program aborts the operation.

User Response: Install at least one fileset in the aggregate.

ANS9571W *program-name:* **You must be cell root in order to execute this command. Aborting ...**

Explanation: The user must have the appropriate privileges to execute the command.

System Action: The program aborts the operation.

User Response: Login with the cell root account.

ANS9572W *program-name:* **All local aggregates are going to be DETACHED from the cell to activate HSM management !!! You have 5 seconds to intervene via CTRL-C!**

Explanation: Activating HSM may require detaching all local aggregates from your cell to install DMApi support. All file operation will fail for this period.

System Action: The system waits 5 secs before the program continues.

User Response: Wait and grant the detachment or interrupt.

ANS9574W *program-name:* **The minimum ticket lifetime must be 10 minutes or longer!Aborting ...**

Explanation: The minimum DCE ticket lifetime must be 10 minutes or longer to ensure that long TSM operations have enough time to fullfill their tasks.

System Action: The program aborts the operation.

User Response: Set minimum DCE ticket lifetime to at least 10 minutes.

ANS9575W *program-name:* **Your login context is not authorized to access necessary networkresources! Aborting ...**

Explanation: This may happen if it was not possible to renew a DCE login context.

System Action: The program aborts the operation.

User Response: Contact your system and/or cell administrator. Restart daemons.

ANS9576W *program-name:* **The password of cell root has expired! Please update the password information via dsmdcepasswd and restart the daemons. Aborting...**

Explanation: Password expiration of the cell root's login context.

System Action: The program aborts the operation.

User Response: Execute dsmdcepasswd and restart daemons.

ANS9577W *program-name:* **The file or directory does not reside in an HSM managed aggregate: path!**

Explanation: Some of the TSM DFS HSM commands works within HSM managed DCE environments only.

System Action: The program aborts the operation. The only exception is dsmls.

User Response: Make sure that the path resides in an HSM managed aggregate.

ANS9578W *program-name:* **Cannot access the cell! You're either not logged into the cell or the cell is currently down! Aborting ...**

Explanation: The program was not able to access the DFS filesystem.

System Action: The program aborts the operation.

User Response: Make sure that you are correctly logged into the cell and/or renew your DCE ticket. Check whether your local DCE environment is running.

ANS9581W **dsmmigfs: Severe Problem! Cannot mount a newly created fileset which is used for administrative HSM purposes. DFS may be inconsistent here! Aborting ...**

Explanation: dsmmigfs was not able to create and mount a fileset within its administrative structure.

System Action: dsmmigfs aborts the operation.

User Response: The cell's behaviour is inconsistent here. Reinitialize DFS.

ANS9582W *program-name:* **Severe Problem! Cannot access the DFS root directory! Aborting ...**

Explanation: The DFS root directory “/:/” or /.../cellname/fs was not accessible

System Action: The program aborts the operation.

User Response: The aggregate inhibiting the root fileset, or the root fileset itself has not been exported. Contact your cell administrator.

ANS9583W *program-name:* **The size of this aggregate is too small. Use aggregates larger than 100MB. The administrative HSM structure is relatively large for the specified size of only number MB.**

Explanation: The size of this aggregate is too small. The administrative HSM structure is relatively large for the specified size of the aggregate.

System Action: The program aborts the operation.

User Response: Use aggregates larger than 100MB.

ANS9596W *program-name:* **The selected aggregate is not yet enabled for Data Management! Please perform the following steps prior to this command: 1. dfsexport -detach -aggregate *aggregate name* 2. Edit /opt/dcelocal/var/dfs/dfstab and change the filesystem type of aggregate *aggregate name* from lfs to dmlfs 3. /usr/lpp/dce/bin/dmaggr -aggregate *aggregate name* -on 4. dfsexport -aggregate *aggregate name* Please be aware of the DCE usage restrictions on DM enabled aggregates!**

Explanation: HSM managed aggregates have to be DM enabled.

System Action: The program aborts the operation.

User Response: Perform the changes and restart the command. See manual for details.

ANS9597W *program-name*: **The selected aggregate is still enabled for Data Management! There are DCE usage restriction on DM enabled aggregates which can be disabled by performing the following steps: 1. dfsexport -detach -aggregate *aggregate name* 2. Edit /opt/dcelocal/var/dfs/dfstab and change the filesystem type of aggregate *aggregate name* from dmlfs to lfs 3. /usr/lpp/dce/bin/dmaggr -aggregate *aggregate name* -off 4. dfsexport -aggregate *aggregate name***

Explanation: After removing HSM from an aggregate, the DM attribute should be set to its normal value.

System Action: None

User Response: Perform the changes. See manual for details.

ANS9598W **The specified aggregate is now enabled for HSM. However, you still have to define one or more fileset mount points using the VIRTUALMOUNTPOINT option in order to activate data management.**

Explanation: A user has to define VIRTUALMOUNTPOINTS just like an include list. Based on this path information, HSM will scan the aggregate for candidates.

System Action: None

User Response: Specify VIRTUALMOUNTPOINTS for the filesets of an aggregate which should be activated for data management.

ANS9599W **The specified path *file path* does not match any defined VIRTUALMOUNTPOINT.**

Explanation: A user has to define VIRTUALMOUNTPOINTS to enable certain paths for HSM. A VIRTUALMOUNTPOINT is only valid for the corresponding parent fileset.

System Action: None

User Response: Specify VIRTUALMOUNTPOINTS in dsm.opt for all the filesets of an aggregate which should be activated for data management.

ANS9600W **The option file does not contain any VIRTUALMOUNTPOINTS for aggregate *DFS aggregate*.**

Explanation: A user has to define VIRTUALMOUNTPOINTS just like an include list. Based on these path information, HSM will scan the aggregate for candidates.

System Action: None

User Response: Specify VIRTUALMOUNTPOINTS in dsm.opt for the filesets of an aggregate which should be activated for data management.

-
- ANS9601W** *program-name:* **The file DFS file was accessed less than an hour ago so it is not qualified for migration. File is skipped.**
- Explanation:** Due to synchronization requirements by the DFS environment a file should not be migrated until it has reached a certain age.
- System Action:** The program continues.
- User Response:** Wait at least an hour when the file is not accessed, then repeat the operation.
-
- ANS9602W** *program-name:* **The TSM daemons require certain rights in order to access data within the DFS filespace. Please enter an appropriate DCE account that has general access to the data that should be under HSM control. Please enter the DCE account:**
- Explanation:** see message text.
- System Action:** The program prompts for login.
- User Response:** Enter DCE login.
-
- ANS9603W** *program-name:* **The TSM daemons require cell root access rights for the DFS filespace. After entering the password, TSM will encrypt it and store the result to /etc/security/adsm/dcepasswd. Enter cell root's password:**
- Explanation:** See message.
- System Action:** The program prompts for password.
- User Response:** Enter DCE passwd.
-
- ANS9604W** *program-name:* **Encrypting ... Done. Please make sure to repeat this procedure as soon as you update the password in the DCE world!**
- Explanation:** Information.
- System Action:** None.
- User Response:** None.
-
- ANS9605E** *program-name:* **The daemon was not able to start the DCE ticket refresh thread. There may be a problem with the DCE security server.**
- Explanation:** A DCE ticket can expire unless a refresh thread cares about the ticket update.
- System Action:** The program aborts.
- User Response:** Make sure that DCE security server is running.
-

ANS9607E *program-name:* **Aggregate aggregate-name is either not exported or not initialized for LFS! Aborting!**

Explanation: The target aggregate must be exported before adding it to HSM.

System Action: The program aborts.

User Response: Attach the aggregate.

ANS9608E *program-name:* **Unable to load an LFS Kernel extension! Aborting!**

Explanation: HSM needs special kernel extensions in order to run. DCE is either not yet fully up, or there is a problem with the DCE configuration or installation.

System Action: The program aborts.

User Response: Wait till DCE is fully up. Then try to run `"/usr/sbin/cfgdfs -a /usr/lib/drivers/dclfs.ext"`. If you don't see any output, everything is running correctly. Otherwise there is a severe problem in your DCE environment.

ANS9609E *program-name:* **Unable to load an DMEpi Kernel extension! Aborting!**

Explanation: HSM needs special kernel extensions in order to run. DCE is either not yet fully up, or there is a problem with the DCE configuration or installation.

System Action: The program aborts.

User Response: Wait till DCE is fully up. Then try to run `"/usr/sbin/cfgdmeapi -a /usr/lib/drivers/dmlfs.ext"`. If you don't see any output, everything is running correctly. Otherwise there is a severe problem in your DCE environment.

ANS9610E *program-name:* **Unable to update the state of aggregate aggregate-name in the dfstab! Aborting!**

Explanation: HSM needs to toggle the filesystem type of the target aggregate in `"/opt/dcelocal/var/dfs/dfstab"`. This operation failed.

System Action: The program aborts.

User Response: Detach the aggregate from the cell by executing `"dfsexport -detach AggregateName"`. Edit `"/opt/dcelocal/var/dfs/dfstab"` and toggle the type of the target aggregate. If you add HSM to the aggregate you should toggle `"lfs"` to `"dmlfs"`. Execute `"/usr/lpp/dce/bin/dmaggr AggregateName -on"`. If you remove HSM from the aggregate you should toggle `"dmlfs"` to `"lfs"`. Execute `"/usr/lpp/dce/bin/dmaggr AggregateName -off"`. Then `dfsexport` the aggregate again.

-
- ANS9611W** *program-name*: **It was not possible to set the correct DCE thread policy.**
- Explanation:** The program tried to set an appropriate thread policy for the DCE ticket refresh thread.
- System Action:** The program aborts.
- User Response:** Try to restart the HSM daemons. If this does not work there is probably a problem in the system. A reboot may be necessary in this case.
-
- ANS9613E** *program-name*: **Stubsize of *stubsizesize* bytes is not supported on *filesystem*.**
- Explanation:** The given *stubsizesize* value not a multiple of the file system blocksize and cannot be supported.
- System Action:** The program aborts the operation.
- User Response:** Use a correct stub size.
-
- ANS9641S** **Invalid option '*option*' found in options file '*file-name*' at line number : *number***
Invalid entry : '*entry*'
- Explanation:** The specified *option* in the TSM options file (*file-name*) is in error.
- System Action:** Processing stopped.
- User Response:** Correct the options file entry.
-
- ANS9732E** **No Backup Copy Group for Management Class: *management-class***
- Explanation:** The *management class* for this file does not have a backup copy group specified.
- System Action:** Processing stopped.
- User Response:** See your system administrator.
-
- ANS9733E** **File: *File-name* excluded by the Include/Exclude list**
- Explanation:** You tried to back up the named *file-name* that was specified to be excluded from backup.
- System Action:** TSM did not back up the file.
- User Response:** Specify the file using the Include option and retry the operation.
-

ANS9734E **There are *number* file(s) not selected. Click on file to find out reason.**

Explanation: There are files that cannot be selected.

System Action: These files will not be selected for migrate or recall.

User Response: Click on the files to find out the reason these files are not selected, for example, inclexcl list.

ANS9735E **Error doing realtime initialization**

Explanation: TSM ran out of resource (either processes or shared storage) that prevents it from starting a migrate or recall operation. Your file selections remain intact.

System Action: TSM cannot start the migrate or recall operation.

User Response: Retry the operation. If unsuccessful, see your system administrator.

ANS9736E **Not enough memory for authorization list table**

Explanation: TSM cannot allocate enough storage for the authorization list.

System Action: TSM cannot complete the requested operation.

User Response: Retry the operation. If unsuccessful, see your system administrator.

ANS9737E **Authentication failed -- Exit TSM to retry**

Explanation: You typed an incorrect password four times in a row.

System Action: TSM cannot connect to the server without a correct password.

User Response: Exit and restart TSM if authorized; otherwise, see your system administrator.

ANS9738S **Out of memory**

Explanation: TSM found an error allocating storage at initialization.

System Action: TSM cannot continue.

User Response: See your system administrator.

ANS9739E **Cannot get shared memory**

Explanation: The system ran out of shared storage resources.

System Action: TSM cannot continue without a shared storage segment.

User Response: Check the output of the “ipcs” program to see if there are many new shared storage segments. Use “ipcrm” to remove them. If this problem continues, configure UNIX to allow more shared storage segments.

ANS9740S **This program is not installed correctly. Please place the application defaults file (*file-name*) into the application default directory (usually *directory-name*), or set the XAPPLRESDIR environment variable to the directory containing the *file-name* defaults file.**

Explanation: TSM cannot find its resource file (Sm) in the default directory (*directory-name*). A problem may have occurred during installation.

System Action: TSM cannot start.

User Response: See your system administrator.

ANS9741E **Not enough memory to hold directory structure**

Explanation: TSM cannot allocate storage for the requested directory structure. This error can happen under migrate or recall operations.

System Action: TSM cannot complete the requested operation.

User Response: Retry the operation. If unsuccessful, see your system administrator.

ANS9742E **Error reading directory structure**

Explanation: TSM cannot load the requested directory structure. This error is due to a corrupted file system or a storage shortage. This can happen under selective migrate or selective recall.

System Action: TSM cannot complete the requested operation.

User Response: Retry the operation. If unsuccessful, see your system administrator.

ANS9743W **No files selected in directory tree**

Explanation: You did not select any files to list for migrate or recall.

System Action: TSM cannot complete the requested operation.

User Response: Select files and retry the operation.

ANS9744W

Size exceeds limit

Explanation: You tried to recall a file that has exceeded the maximum file size limitation on your system.

System Action: TSM cannot recall the file.

User Response: Recall this file on a system that supports the file size. See your system administrator.

ANS9790I

File is skipped for migration: No backup copy found.

Explanation: A management class is assigned to the file with the attribute MIGREQUIRESBKUP set to YES. This requires a current backup copy of the file before migration. However, there is no backup copy found on the migration server. This file will not be migrated. Note: TSM checks only the migration server for a backup copy. If the migration server and backup server are different servers, TSM does not find a backup copy of the file.

System Action: TSM does not migrate this file.

User Response: Back up this file on the migration server, or assign a management class to this file that does not require a current backup copy. Retry the operation.

ANS9791I

File is skipped for migration: Backup copy found is not current.

Explanation: A management class is assigned to the file with the attribute MIGREQUIRESBKUP set to YES. This requires a current backup copy of the file before migration. However, the backup copy found on the migration server is an old version. This file will not be migrated. Note: TSM checks only the migration server for a backup copy. If the migration server and backup server are different servers, there must be a valid backup copy of the file on the migration server.

System Action: TSM does not migrate this file.

User Response: Back up the current file on the migration server, or assign a management class to this file that does not require a current backup copy. Retry the operation.

ANS9792W

A tree view of a file system is being built. Please wait until it completes, and then retry the operation.

Explanation: You tried to choose Selective Migration or Selective Recall when a tree view of a file system is being built.

System Action: TSM ignores the request.

User Response: Wait until the tree view build completes, and then retry the operation.

-
- ANS9796E** **Cannot access lock file for *file-system* file system.**
- Explanation:** TSM cannot access a lock file due to an error. The lock file provides serialization of certain programs to prevent conflicting processes from running at the same time.
- System Action:** TSM will not run the program at this time.
- User Response:** Check the permissions on the directories leading up to the lock file and also the permissions on the program executable.
-
- ANS9797E** **A conflicting space management process is already running in the *file-system* file system. Rerun this process at a later time.**
- Explanation:** TSM detects that another process that conflicts with the process you are trying to run is running in the file system. The following processes cannot be run at the same time for a file system:
- dsmreconcile
 - dsmautomig
 - dsmmigfs remove.
- Also dsmmigfs remove cannot run while a migration process is running in the file system.
- System Action:** TSM will not run the process at this time.
- User Response:** Try running the process again later.
-
- ANS9799W** **Cannot open temp file for mount command.**
- Explanation:** TSM cannot open a temporary file to process the mount command for this file system.
- System Action:** TSM cannot add space management to the file system.
- User Response:** Check with the system administrator.
-
- ANS9800W** **Cannot create temp file for mount command.**
- Explanation:** TSM cannot create a temporary file to process the mount command for this file system.
- System Action:** TSM cannot add space management to the file system.
- User Response:** Check with the system administrator.
-

ANS9801W **Cannot create transaction file.**
Explanation: Cannot create transaction file for this file system.
System Action: TSM cannot add space management to the file system.
User Response: Check with the system administrator.

ANS9802W **Cannot create status file.**
Explanation: Cannot create status file for this file system.
System Action: TSM cannot add space management to the file system.
User Response: Check with the system administrator.

ANS9803W **Cannot create premigration database.**
Explanation: Cannot create a premigration database for this file system.
System Action: TSM cannot add space management to the file system.
User Response: Check with the system administrator.

ANS9804W **Cannot create migration candidates list.**
Explanation: Cannot create a migration candidates list for this file system.
System Action: TSM cannot add space management to the file system.
User Response: Check with the system administrator.

ANS9805W **Cannot create .SpaceMan directory.**
Explanation: Cannot create .SpaceMan directory for this file system.
System Action: TSM cannot add space management to the file system.
User Response: Check with the system administrator.

ANS9806W **File system type is not supported.**
Explanation: The file system is not a type supported by space management.
System Action: TSM cannot add space management to the file system.
User Response: Check with the system administrator.

ANS9808W	Invalid field in the dsmmigfstab file. Explanation: There is an invalid field in the dsmmigfstab file entry for the file system. System Action: TSM cannot add space management to the file system. User Response: Check with the system administrator.
ANS9809W	Cannot open the dsmmigfstab file. Explanation: TSM cannot open the dsmmigfstab file. System Action: TSM cannot add space management to the file system. User Response: Check with the system administrator.
ANS9811W	Server did not respond. Check the server connection. Select OK to exit. Explanation: Server did not respond. System Action: TSM stops processing. User Response: Exit dsmhsm. Check the server connection and try again later.
ANS9812I	Files not found in current directory. Refresh file systems. Explanation: Some files are not found in the local file system. System Action: The transaction will show incorrect results. User Response: Refresh the file systems to reflect local file systems.
ANS9813W	Incorrect data shown. Run reconcile. Explanation: Information in the space management status file is not synchronized with the file system. System Action: TSM continues processing. User Response: To correct the information, run reconcile, and then refresh the current window.
ANS9814W	Cannot create migration object ID. Explanation: The file system is full. No more free space can be allocated for the migration object ID when a file is being migrated or recalled. System Action: TSM terminates the current operation for this file system.

User Response: Remove some files in the file system, and then run reconciliation. Retry the operation.

ANS9815W

Out of free space or inodes in file system to migrate or recall.

Explanation: The file system is full. No more free space or free inodes are available to be allocated for the transaction file that is needed when a file is being migrated or recalled.

System Action: TSM terminates the current operation for this file system.

User Response: Remove some files in the file system, and then run reconciliation. Retry the operation.

ANS9816W

File system has exceeded its quota.

Explanation: TSM detects that the file system has exceeded its quota. No more files can be migrated to TSM storage for this file system.

System Action: TSM will not migrate files from this file system.

User Response: Either recall some files to the local file system, or ask the system administrator to increase the quota for this file system.

ANS9817W

***file-system* is globally deactivated. Please wait until the file system is globally reactivated.**

Explanation: The file system is in a global inactive state.

System Action: TSM cannot continue the process.

User Response: Wait until the system administrator globally reactivates the file system.

ANS9818W

A selective recall is in progress. Stop the recall, and then close the window.

Explanation: You tried to close the Selective Recall Status window while a selective recall was in progress.

System Action: TSM ignores the request.

User Response: Stop the selective recall process, and then close the window.

ANS9819W

A selective migration is in progress. Stop the process, and then close the window.

Explanation: You tried to close the Selective Migration Status window while a selective migration was in progress.

System Action: TSM ignores the request.

User Response: Stop the selective migration process, and then close the window.

ANS9820W

A selective recall or a selective migration is in progress. Wait until it completes, and then retry the operation.

Explanation: You tried to perform one of the following while a selective recall or selective migration process was in progress:

- Add space management
- Deactivate or reactivate space management
- Global deactivate or reactivate space management
- Display policy information
- Change password

System Action: TSM ignores the request.

User Response: Wait until the selective recall or selective migration process is complete, and then retry the operation.

ANS9821W

New password is not re-entered.

Explanation: You did not re-enter the new password.

System Action: The Change password dialog will display again.

User Response: Re-enter the new password.

ANS9822W

New password is not entered.

Explanation: You did not enter the new password.

System Action: The Change password dialog will display again.

User Response: Enter the new password.

ANS9823W

Current password is not entered.

Explanation: You did not enter the current password.

System Action: The Change password dialog will display again.

User Response: Enter the current password.

ANS9824W

Cannot update space management settings for *file-system*

Explanation: You tried to update space management settings for a file system, and the update failed.

System Action: TSM continues with normal operation.

User Response: Check with the system administrator.

ANS9825W

Total migrated space is greater than quota for file system.

Explanation: TSM total migrated space is greater than quota.

System Action: TSM continues.

User Response: You can remove this warning message by increasing the quota for the file system.

ANS9827W

Error accessing the Recall daemon lock file: file name.

Explanation: There is a problem accessing the recall daemon lock file.

System Action: TSM cannot determine whether the recall daemon is running. Because the recall daemon is needed to perform file recalls, the recall fails.

User Response: Check with the system administrator. The recall process needs read access to the `/etc/adsm/SpaceMan/dsmrecalld.pid` file.

ANS9828W

Error processing the space monitor daemon: reason.

Explanation: There is a problem accessing the space monitor daemon.

System Action: TSM cannot perform automatic space management functions.

User Response: Check with the system administrator. The space monitor daemon is normally installed as `/usr/lpp/adsm/bin/dsmmonitord`.

ANS9829W

Recall daemon is not running.

Explanation: An TSM recall daemon is not running.

System Action: TSM recall fails.

User Response: Ask the system administrator to start a recall daemon by issuing the `dsmrecalld` command.

ANS9830W

Space monitor daemon is not running.

Explanation: The space monitor daemon is not running.

System Action: TSM is unable to perform space management functions.

User Response: Ask the system administrator to start the space monitor daemon by issuing the `dsmmonitord` command.

ANS9840W **Cannot open /dev/fsm.**

Explanation: While attempting to add space management to a file system, TSM was unable to open the /dev/fsm device, which is the space management (hsm) device driver.

System Action: TSM terminates the requested process and returns to normal operation.

User Response: Retry the operation. If the problem continues, check with your system administrator.

ANS9841E **Cannot get user name for the user ID.**

Explanation: TSM cannot get the user name for the user ID.

System Action: TSM terminates the requested process and returns to normal operation.

User Response: Retry the operation. If the problem continues, check with your system administrator.

ANS9842E **Cannot refresh local file space information.**

Explanation: TSM cannot refresh local file space information.

System Action: TSM terminates the requested process and returns to normal operation.

User Response: Retry the operation. If the problem continues, check with your system administrator.

ANS9843E **Cannot connect to migration server.**

Explanation: TSM cannot connect to the migration server specified in your client system options file.

System Action: TSM terminates the requested process and returns to normal operation.

User Response: Retry the operation. If the problem continues, check with your system administrator.

ANS9844E **Cannot close the premigrated files database.**

Explanation: TSM cannot close the premigrated files database for the file system. The premigrated files database resides in the .SpaceMan subdirectory of the file system's root directory.

System Action: TSM terminates the requested process, and returns to normal operation.

User Response: Retry the operation. If the problem continues, check with your system administrator.

ANS9846W **Cannot add space management to *file system*.**

Explanation: TSM cannot add space management to the file system.

System Action: TSM continues with normal operation.

User Response: Check with the system administrator.

ANS9848W **Cannot activate file system *file system*.**

Explanation: TSM cannot activate space management for the specified file system.

System Action: TSM file system state is not changed.

User Response: Check with your system administrator.

ANS9849W **A error occurred while refreshing the pie chart information for *file system*. Data is not updated.**

Explanation: An error occurred while refreshing pie chart information.

System Action: TSM pie chart information is not updated.

User Response: Check with your system administrator.

ANS9850E **The view book program is already running on your desktop.**

Explanation: The view book program has already been launched and is still running.

System Action: TSM continues with normal operation.

User Response: Check your desktop for the running view book program.

ANS9851E **Cannot find the view book program. Double check the **BOOKS** option in your client user options file.**

Explanation: The space management GUI client failed to execute the program you specified with the BOOKS option in your client user options file.

System Action: TSM continues with normal operation.

User Response: Check to make sure the PATH environment variable contains the path to the program, or double check the BOOKS option to make sure the name is correct.

ANS9852E Cannot query the level of client and kernel.

Explanation: The space management GUI client fails to query the level of kernel and client code.

System Action: TSM continues with normal operation.

User Response: Check with your system administrator.

ANS9853W The space management client program is downlevel.

Explanation: The space management client is downlevel compared to the kernel level.

System Action: TSM continues with normal operation.

User Response: Check with your system administrator.

ANS9854W The space management kernel is downlevel.

Explanation: The space management kernel is downlevel compared to the client level.

System Action: TSM continues with normal operation.

User Response: Check with your system administrator.

ANS9855W File is accessed during migration. File skipped.

Explanation: The specified *file-name* was not migrated because the file was accessed by another process during the attempt to migrate it.

System Action: TSM left the file resident.

User Response: If you want the file migrated, stop the process which is accessing the file and retry the migration operation.

ANS9856E File is currently opened by another process. File skipped. File has already been migrated or is currently being migrated by another process.

Explanation: The specified file was not migrated because the file was opened by one or more other processes.

System Action: TSM left the file resident.

User Response: If you want the file migrated, stop the processes which currently have the file open, and retry the migration operation.

ANS9857E

View Books requires BOOKS option in the options file.

Explanation: The BOOKS option is not specified in your client user options file (dsm.opt).

System Action: TSM continues with normal operation.

User Response: Add a BOOKS option specifying the executable name of the online book reader and the name of the TSM Bookshelf. Then, retry the operation.

ANS9858E

Bit file for image on push button cannot be found. Please check to make sure the *pixmap file* exists in your TSM installed directory.

Explanation: TSM failed to find the pixmap file defined for the push button.

System Action: TSM continues with normal operation.

User Response: Check to see whether the pixmap file exists in the TSM installation directory.

ANS9859E

Cannot get information for *filespace* file space: *reason*.

Explanation: Error encountered when system reads common attributes about the file space.

System Action: TSM cannot read file space attributes.

User Response: Check with your system administrator.

ANS9860W

Some selected files are hidden. Change View option to see all.

Explanation: You have selected all files in a directory or in all subdirectories. Due to the current View option, only certain types of files are shown (either migrated, resident, or premigrated files).

System Action: TSM proceeds normally.

User Response: If you want to see all selected files, change the View option from the View menu bar option.

ANS9862W

Do you want to exit TSM space management?

Explanation: You have selected Exit from the File menu bar option.

System Action: TSM waits for your response.

User Response: If you want to exit the program, select OK. Otherwise, select Cancel.

ANS9871W **Specified column width is smaller than the largest attribute value. Data will be truncated.**

Explanation: You have entered a column width that is too small to display all digits of the largest attribute.

System Action: TSM accepts your request.

User Response: To see all attributes in full length, increase the column width.

ANS9872W **Remove is in progress. Requested operation is not allowed.**

Explanation: A remove process is in progress. You have requested an operation that is not allowed when a remove process is in progress.

System Action: TSM continues with normal operation.

User Response: Wait until the remove process completes, and then retry the operation.

ANS9873W **This function should not be used on large file systems. Continue anyway ?**

Explanation: You have decided to open selective recall or selective migration window, but these functions may take too long for large file systems.

System Action: TSM waits for your response.

User Response: If you want to continue, select OK. Otherwise, select Cancel.

ANS9875W **Refresh time must be numeric value and within 0 - 14400 minutes or 0 - 240 hours (10 days).**

Explanation: You have entered an invalid value for Refresh time. It must be a positive number between 0 and 14400.

System Action: TSM continues with normal operation.

User Response: Enter a positive number between 0 and 14400.

ANS9876W **Refresh time must be a positive number.**

Explanation: You have entered an invalid value for Refresh time. It must be a positive number between 0 and 14400.

System Action: TSM continues with normal operation.

User Response: Enter a positive number between 0 and 14400.

ANS9877W **Size Factor must be a numeric value between 0 - 999999999.**

Explanation: You have entered an invalid value for Size Factor. It must be a positive number between 0 and 999999999.

System Action: TSM continues with normal operation.

User Response: Enter a positive number between 0 and 999999999.

ANS9878W **Size Factor must be a positive number.**

Explanation: You have entered an invalid value for Size Factor. It must be a positive number between 0 and 999999999.

System Action: TSM continues with normal operation.

User Response: Enter a positive number between 0 and 999999999.

ANS9879W **Age Factor must be a numeric value between 0 - 999999999.**

Explanation: You have entered an invalid value for Age Factor. It must be a positive number between 0 and 999999999.

System Action: TSM continues with normal operation.

User Response: Enter a positive number between 0 and 999999999.

ANS9880W **Age Factor must be a positive number.**

Explanation: You have entered an invalid value for Age Factor. It must be a positive number between 0 and 999999999.

System Action: TSM continues with normal operation.

User Response: Enter a positive number between 0 and 999999999.

ANS9881W **Premigration Percent must be a numeric value between 0 - 100.**

Explanation: You have entered an invalid value for Premigration Percentage. It must be a positive number between 0 and 100.

System Action: TSM continues with normal operation.

User Response: Enter a positive number between 0 and 100.

ANS9882W **Premigration Percent must be a positive number.**

Explanation: You have entered an invalid value for Premigration Percentage. It must be a positive number between 0 and 100.

System Action: TSM continues with normal operation.

User Response: Enter a positive number between 0 and 100.

ANS9883W Quota must be a numeric value between 0 - 999999999.

Explanation: You have entered an invalid value for Quota. It must be a positive number between 0 and 999999999.

System Action: TSM continues with normal operation.

User Response: Enter a positive number between 0 and 999999999.

ANS9884W Quota must be a positive number.

Explanation: You have entered an invalid value for Quota. It must be a positive number between 0 and 999999999.

System Action: TSM continues with normal operation.

User Response: Enter a positive number between 0 and 999999999.

ANS9885I The premigration percentage will not be updated until you select the Update push button on the Update window or the Add push button on the Add window.

Explanation: While you have just selected 'OK' in the Advanced Feature dialog, the premigration percentage is not activated until you select 'Add' or 'Update' in the 'Add space management', or the 'Update space management' dialog.

System Action: TSM waits until you select 'Add' or 'Update' to apply your premigration percentage to the system.

User Response: When you have changed the space management attribute, select 'Add' or 'Update', and then the system will apply your new premigration percentage.

ANS9886W Enter a positive number for Column Width.

Explanation: You have entered an invalid value for Column Width. It must be a positive number between 0 and 18.

System Action: TSM continues with normal operation.

User Response: Enter a positive number between 0 and 18.

ANS9887W Enter a positive number for Space Between Column.

Explanation: You have entered an invalid value for Space Between Column. It must be a positive number between 0 and 18.

System Action: TSM continues with normal operation.

User Response: Enter a positive number between 0 and 18.

ANS9889W **Space management has not been added to *file-system* file system. Do you want to build the directory tree anyway?**

Explanation: You selected a file system that is not managed by HSM.

System Action: TSM builds the directory tree if you select the OK button. Otherwise, it will not.

User Response: You can add space management to the file system by selecting the Space Manager push button in the TSM main window, and then selecting Add under the Selected menu option.

ANS9891W **Please mark either or both check boxes before proceeding.**

Explanation: You have not marked either of the check boxes.

System Action: TSM does not proceed with reconcile processing.

User Response: Mark either or both check boxes.

ANS9895W **Space management in file system *file system* is not active.**

Explanation: You tried to select a file in a file system for which space management is inactive.

System Action: TSM continues with normal operation.

User Response: Reactivate space management for the file system, and then proceed with selecting files.

ANS9899E **Cannot recall resident or premigrated file.**

Explanation: The file is a resident or premigrated file.

System Action: The file is not selected.

User Response: Select only migrated files for recall.

ANS9900E **FSM kernel extension not installed.**

Explanation: The file system selected is not fully activated. The system received an error trying to open /dev/fsm.

System Action: TSM operation stops.

User Response: Check to see whether /dev/fsm entry exists, and check space management installation.

ANS9901E Cannot migrate TSM system internal file.

Explanation: You tried to select files that are used internally by the HSM client. You cannot migrate TSM internal files.

System Action: TSM ignores your request.

User Response: None.

ANS9903E Space management is deactivated for this file system.

Explanation: You tried to migrate a file in a file system for which space management is inactive.

System Action: TSM continues to migrate files only in active file systems.

User Response: Reactivate space management for the file system, and retry the migration operation.

ANS9904E Transaction failed, migration aborted.

Explanation: The specified *file-name* was not migrated because the file was accessed by another process during the attempt to migrate it.

System Action: TSM migration is aborted.

User Response: If you want the file migrated, stop the process that is accessing the file, and then retry the migration.

ANS9908E System Error.

Explanation: TSM detects an error in reading the state of the file system.

System Action: TSM proceeds with normal operation.

User Response: Report the error to your system administrator.

ANS9909I Error in accessing migration candidates list file.

Explanation: TSM detects an error in reading the migration candidates list file. This file resides in the .SpaceMan directory of the file system.

System Action: TSM proceeds with normal operation.

User Response: Report the error to your system administrator.

ANS9914I **Space management settings have been modified successfully on *file-system* file system.**

Explanation: Space management settings have been updated successfully.

System Action: TSM updated space management settings for the file system.

User Response: Continue with normal operation.

ANS9915I **Space management has been added successfully to *file-system* file system.**

Explanation: Space management has been added successfully.

System Action: TSM added and activated space management for the file system.

User Response: Continue with normal operation.

ANS9916I **Space management successfully activated *file-system* file system.**

Explanation: Space management has been activated successfully.

System Action: TSM activated space management for the file system.

User Response: Continue with normal operation.

ANS9918E **Cannot open migration candidates list for *file-system*.**

Explanation: TSM cannot access the migration candidates list for the specified file system.

System Action: TSM continues normal operation.

User Response: Select OK to return.

ANS9919I **Space management successfully removed from *file-system* file system.**

Explanation: Space management is removed successfully.

System Action: TSM removed space management from a file system.

User Response: Select OK to return.

ANS9928I **Space management has been deactivated successfully on *file-system* file system.**

Explanation: Space management is deactivated successfully.

System Action: TSM deactivated space management for the file system.

User Response: Select OK to return.

ANS9929I Space management has been reactivated successfully on *file-system* file system.

Explanation: Space management is reactivated successfully.

System Action: TSM reactivated space management for the file system.

User Response: Select OK to return.

ANS9933I Migration candidates list only exists in an 'Active' file system. If you want to make *file-system* file system 'Active', select 'Add Space Management'.

Explanation: You tried to display the migration candidates list for a "Native" file system (a file system to which space management has not been added).

System Action: Processing stopped.

User Response: Select OK to return. Select "Add Space Management" if you want to add space management to the file system.

ANS9934I Reconcile only works on an 'Active' file system. If you want to make *file-system* file system 'Active', select 'Add Space Management'.

Explanation: You tried to start reconciliation on a "Native" file system (a file system to which space management has not been added). You must add space management to a file system before starting reconcile.

System Action: Processing stopped.

User Response: Select OK to return. Select "Add" if you want to add space management to the file system.

ANS9935I Start Threshold Migration only works on an 'Active' file system. If you want to make *file-system* file system 'Active', select 'Add Space Management'.

Explanation: You tried to start Threshold Migration on a "Native" file system (a file system to which space management has not been added). You must add space management to the file system first.

System Action: Processing stopped.

User Response: Select OK to return. Select "Add" if you want to add space management to the file system.

ANS9936I Start Threshold Migration only works on an 'Active' file system. If you want to make *file-system* file system 'Active', select 'Reactivate'.

Explanation: You tried to start Threshold Migration on an "Inactive" file system (a file system for which space management has been deactivated). You must reactivate space management for your file system first.

System Action: Processing stopped.

User Response: Select OK to return. Select 'Reactivate' to reactivate space management for the file system.

ANS9938I **Space management has not been added to *file-system* file system. You do not need to deactivate space management.**

Explanation: You tried to deactivate space management on a file system to which space management has not been added.

System Action: Processing stopped.

User Response: Select OK to return.

ANS9939I *file-system* **file system has already been deactivated.**

Explanation: You tried to deactivate space management for a file system that is already deactivated.

System Action: Processing stopped.

User Response: Select OK to return.

ANS9940I *file-system* **file system has already been activated.**

Explanation: You tried to activate space management for a file system that is already activated.

System Action: Processing stopped.

User Response: Select OK to return.

ANS9941I **Space management has not been added to *file-system*. If you want to add space management, select 'Add space management' option. The file system will automatically be activated when you add space management.**

Explanation: You tried to activate space management on a file system to which space management has not been added. You must first add space management. The file system will automatically be activated when the add process is complete.

System Action: Processing stopped.

User Response: Select OK to return. Select "Add" if you want to add space management to the file system.

ANS9942S **Space management has not been added to *file-system* file system. Do you want to add space management now?**

Explanation: You tried to update space management settings for a file system to which space management has not been added.

System Action: Processing stopped.

User Response: Select OK to add space management to the file system. Select Cancel to return.

ANS9943I **Space management has already been added to *file-system* file system.**

Explanation: You tried to add space management to a file system to which space management has already been added.

System Action: Processing stopped.

User Response: Select OK to return.

ANS9944I **Space management has been deactivated on *file-system* file system. You must reactivate space management before you can remove it.**

Explanation: You tried to remove space management from a file system for which space management has been deactivated. You must reactivate space management for the file system before you can remove it.

System Action: Processing stopped.

User Response: Select OK to return. Select “Reactivate”, and then select “Remove” to remove space management.

ANS9945I **Space management has not been added to *file-system* file system. You do not need to remove space management.**

Explanation: You tried to remove space management from a file system to which space management has not been added.

System Action: Processing stopped.

User Response: Select OK to return.

ANS9947E **File: *file-spec* is in a file system to which space management has not been added.**

Explanation: You tried to migrate a file that resides in a file system to which space management has not been added.

System Action: TSM will not highlight/process the file.

User Response: Switch over to the Space Manager window, and add space management to the file system.

ANS9948E

File: *file-spec* size is less than the minimum size required for migration.

Explanation: You tried to migrate a file that is smaller than the minimum size required for migration. To be eligible for migration, a file must be larger than both the stub file size specified for the file system plus one byte and the block size defined for the file system.

System Action: TSM will not highlight the file.

User Response: None.

ANS9949E

File: *file-spec* is not a regular file and therefore not qualified for migration.

Explanation: You tried to migrate a file that is not a regular file. It might be a FIFO file, a special file, a directory or a symbolic link.

System Action: TSM will not highlight the file.

User Response: None.

ANS9950E

File: *file-spec* is not qualified for migration because the Space Management Technique attribute is set to None.

Explanation: The Space Management Technique attribute in the management class is set to None, which does not allow a file to be migrated.

System Action: TSM will not highlight the file.

User Response: Assign a management class to the file that specifies “Automatic” or “Selective” for the Space Management Technique attribute.

ANS9951E

File: *file-name* file has already been migrated.

Explanation: You tried to migrate a file that is already migrated.

System Action: TSM will not highlight the file.

User Response: None.

ANS9953E

The management class assigned to this file does not allow migration.

Explanation: The management class assigned to this file does not allow migration.

System Action: TSM does not migrate the file.

User Response: None.

ANS9954E	This file has already been migrated. Explanation: The file has been previously migrated. System Action: File is skipped. User Response: None.
ANS9956E	File is not readable. Explanation: You attempted to migrate a non-readable file. System Action: TSM skips this file and continues with the next file. User Response: Continue with normal operation.
ANS9957E	Unknown file type cannot be migrated. Explanation: You attempted to migrate an unknown type of file. System Action: TSM skips this file and continues with the next file. User Response: Continue with normal operation.
ANS9958E	File <i>'file-namefile-namefile-name</i> has not yet reached the age for migration. File skipped. Explanation: This file cannot be migrated because it has not yet reached the age for migration. System Action: TSM will not highlight the file. User Response: None.
ANS9960W	No files selected for migrate or recall. Explanation: You requested a migrate or recall operation without selecting files from the presented directory tree. System Action: TSM cannot do the migration or recall without selected files. User Response: Select the files that you want to migrate or recall, and retry the operation.
ANS9961E	Server out of migrate data storage space. Explanation: The server ran out of space in its migrate data storage. System Action: TSM cannot complete the migrate operation. Any files displayed in the Successful list of the Migrate Status window were successfully migrated.

User Response: Check with your system administrator.

ANS9962I **Migration stopped by user.**
Explanation: You requested that TSM stop the migrate operation.
System Action: Migration stopped.
User Response: Continue with normal operations.

ANS9963I **Selective Recall completed. Check failure list for possible errors.**
Explanation: The recall was completed.
System Action: TSM recalled the files.
User Response: Continue with normal operations.

ANS9964I **Selective Migration completed. Check failure list for possible errors.**
Explanation: The migration was completed.
System Action: TSM migrated the files.
User Response: Continue with normal operations.

ANS9965S **Please select a file system first.**
Explanation: You did not select any file system for the Migrate window.
System Action: TSM ignores this request and continues.
User Response: Select a file system, a directory, and all files you want to migrate, and then select the Migrate button to start the process.

ANS9966S **No file system has been selected.**
Explanation: You did not select a file system.
System Action: TSM ignores the request and continues.
User Response: Select at least one file system and retry the operation

ANS9988S **As part of the remove process, all migrated files in *file-system* will be recalled from TSM server. Do you want to continue with the remove process now?**
Explanation: When you remove space management from a file system, TSM recalls all migrated files.

System Action: TSM waits for your response before proceeding with the remove process.

User Response: Select Yes to remove space management from the selected file system, or select Cancel to skip the remove.

ANS9997W

The selective migration, selective recall, or policy information window is displayed. Stop any operations, close the window, and then retry the operation.

Explanation: When a node is contacting more than one server for space management services, the selective migration, selective recall, and policy information windows may not be displayed at the same time.

System Action: TSM ignores the request.

User Response: Close the selective migration, selective recall, or policy information window, and then retry the operation.

ANS9998E

The migration server changed after the selective migration or selective recall window was displayed. Close the window, and then retry the operation.

Explanation: A migrate or recall operation will not be allowed to proceed if the user changed the migration server after the selective migration or selective recall window was displayed.

System Action: No files will be migrated or recalled.

User Response: Close the selective migration or selective recall window, and then retry the operation.

IV—Tivoli Data Protection Application Client Messages

This section contains messages for the following:

- Tivoli Data Protection for Lotus Notes
- Tivoli Data Protection for Microsoft SQL
- Tivoli Data Protection for Oracle

The messages are listed in numeric order.

This section also contains Diagnosis, Modification, or Tuning Information. Some of these messages include information about the TSM error log that you can use when working with your service representative.

16

Tivoli Data Protection for Lotus Notes (0900–0999)

The messages in this section are for the Tivoli Data Protection for Lotus Notes.

Notes:

1. The term “database” refers to a Lotus Notes database.
2. The term “notes” and “documents” are used interchangeably.

For further information, refer to the following documents:

- For OS/2: *Using the Lotus Notes Backup Agent*
- For AIX: *ADSMConnect Agent for Lotus Notes on AIX Installation and User’s Guide*
- For Windows NT: *ADSMConnect Agent for Lotus Notes on Windows NT Installation and User’s Guide*

ANS0900I

dsmnotes completed.

Explanation: The dsmnotes command completed successfully.

System Action: The program completes.

User Response: Not Applicable.

ANS0901S

Cannot allocate memory.

Explanation: An attempt was made to allocate memory but failed.

System Action: Processing stops.

User Response: Check the LOG.DSM file for further details about the failure.

ANS0903E **I/O error opening file.**
Explanation: An I/O error occurred when an attempt was made to open one of the supporting files (for example: a trace file or log file). This message does not suggest an I/O error in a Notes database.
System Action: Processing stops.
User Response: Check all supporting files, including the log file, and trace file. Consider updating the environment variables in the NOTES.INI file to avoid using the problem file, or check access permission on the file.

ANS0904E **I/O error writing to a file.**
Explanation: An I/O error occurred when an attempt was made to write to a supporting file like a trace file or log file. This message does not suggest an I/O error in a Notes database.
System Action: Processing stops.
User Response: Check all supporting files, including the log file, and trace file. Consider updating the environment variables in the NOTES.INI file to avoid using the problem file. Also check your available disk space.

ANS0905S **Error getting current working directory.**
Explanation: An error occurred while trying to retrieve the current working directory.
System Action: Processing stops.
User Response: Check the LOG.DSM file for any further details on the specific error. There may be an error in your operating system since it cannot determine your current working directory.

ANS0907E **Error in getting file system information.**
Explanation: An error was encountered when an attempt was made to obtain the file system information for the drive on which the Notes database resides.
System Action: Processing stops.
User Response: Check the drive on which the Notes database you are processing resides. Be sure that the volume has a label and your disk is attached. Check the LOG.DSM file for details about the error.

ANS0908E **Error getting database volume label.**
Explanation: An error was encountered when an attempt was made to obtain the volume label of the drive on which the Notes database resides.
System Action: Processing stops.
User Response: Check the drive on which the Notes database you are processing resides. Be sure that the volume has a label and your disk is attached.

-
- ANS0909E** **Error in parsing options.**
Explanation: A general parsing error occurred on a *dsmnotes* command. Either you entered too many path names, or a hyphen (-) or an equal (=) sign is missing in the option.
System Action: Processing stops.
User Response: Check the syntax of the command. Correct the syntax and reissue the command.
-
- ANS0910E** **Invalid option keyword.**
Explanation: An invalid option keyword was specified on a *dsmnotes* command.
System Action: Processing stops.
User Response: Identify and correct the invalid keyword. Then reissue the command.
-
- ANS0912E** **The specified password is too long.**
Explanation: The TSM password you entered is too long.
System Action: Processing stops.
User Response: If you are resetting a new TSM password, you need to choose a shorter password. If you are entering a current TSM password, check that the password is correct. If the password is correct but the problem still occurs, ask your TSM administrator to reset your password to a new value. If you do this, choose a shorter password.
-
- ANS0913E** **An invalid option value was specified.**
Explanation: An invalid value was specified for an option on a *dsmnotes* command.
System Action: Processing stops.
User Response: Identify and correct the invalid value. Then reissue the *dsmnotes* command.
-
- ANS0914E** **Required keywords are missing.**
Explanation: One or more required keywords are missing from the *dsmnotes* command.
System Action: Processing stops.
User Response: Identify and check the proper syntax and provide the missing keywords and values. Then reissue the *dsmnotes* command.
-
- ANS0915E** **An invalid date was entered.**
Explanation: An invalid date value was entered. Either the syntax of the value was not correct, or an actual value (for example, "45" for month) was invalid.
System Action: Processing stops.
User Response: Identify and correct the invalid date value. Refer to the user's guide of the corresponding platform for the correct date syntax.
-

ANS0916E **An invalid time was entered.**
Explanation: An invalid time value was entered. Either the syntax of the value was not correct, or an actual value (for example, "75" for hour) was invalid.
System Action: Processing stops.
User Response: Identify and correct the invalid date value. Refer to the user's guide of the corresponding platform for the correct time syntax.

ANS0917E **Usage: dsmnotes <actions> <options> <db pathname>**
Explanation: No parameters were specified on the dsmnotes command. Some parameters are required such as action parameter and database name parameter.
System Action: Processing stops.
User Response: Refer to the user's guide of the corresponding platform for the correct syntax of your command, including required parameters. Correct the syntax and reissue the command.

ANS0918E **dsmnotes action (1st parm) is unrecognized.**
Explanation: A syntax error was made on a dsmnotes command. The first parameter on the command is generally used to identify what kind of action is to be performed (for example, "INCR" for incremental backup), but this first parameter on the command was not recognized as a valid action.
System Action: Processing stops.
User Response: Refer to the user's guide of the corresponding platform for the correct command syntax. Correct the syntax and reissue the command.

ANS0919E **Usage: dsmnotes incr <options> <db pathname>**
Explanation: A syntax error occurred on the incremental backup command.
System Action: Processing stops.
User Response: Refer to the user's guide of the corresponding platform for the correct syntax. Correct the syntax and reissue the command.

ANS0920E **Usage: dsmnotes restore <options> <db pathname>**
Explanation: A syntax error occurred on the incremental backup command.
System Action: Processing stops.
User Response: Refer to the user's guide of the corresponding platform for the correct syntax. Correct the syntax and reissue the command.

ANS0921E **Usage: dsmnotes restdel <options> <db pathname>**
Explanation: A syntax error occurred on the restore deletion stubs command.
System Action: Processing stops.
User Response: Refer to the user's guide of the corresponding platform for the correct syntax. Correct the syntax and reissue the command.

-
- ANS0923E** **Database path name is invalid.**
Explanation: The given path name does not resolve to a valid Notes database file name.
System Action: Processing stops.
User Response: Validate that the given path name is correct. If wildcard symbols are used, refer to the user's guide of the corresponding platform for the correct usage of these symbols. Also check for defaulting to the Notes data directory to ensure that the path name is not defaulting incorrectly.
-
- ANS0924E** **Cannot restore to original database.**
Explanation: An attempt was made to rebuild a Notes database from backup copies of notes, but the original database file was specified as the target database.
System Action: Processing stops.
User Response: Choose an original name for the target database. The name cannot belong to an existing file.
-
- ANS0925E** **-days value cannot be negative (OS/2). The days value cannot be negative (AIX and Windows NT)**
Explanation: Only a positive number of days can be specified.
System Action: Processing stops.
User Response: Either specify a positive number of days or let the system default to restore all the deleted documents that it can identify.
-
- ANS0926E** **Cannot open database.**
Explanation: An attempt to open a Notes database was unsuccessful.
System Action: Processing stops.
User Response: Check the LOG.DSM file for more information about the error. Verify the path name of your database. If the path name is correct, then verify the database itself to ensure that it can be opened through the Notes workspace.
-
- ANS0928I** **Restore of Note(s) done.**
Explanation: Restoration of one or more notes was successful.
System Action: The program completes successfully.
User Response: None.
-
- ANS0929E** **User interrupted operation.**
Explanation: The user has interrupted the operation (for example, by pressing an interrupt key such as <Ctrl C>).
System Action: Processing stops.
User Response: None
-

ANS0930I	<p>Database rebuild done.</p> <p>Explanation: Database rebuild from backup copies of notes was successfully completed.</p> <p>System Action: The program completes successfully.</p> <p>User Response: None.</p>
-----------------	--

ANS0931E	<p>Cannot log errors.</p> <p>Explanation: An attempt was made to initiate error logging, which includes either opening or creating a LOG.DSM file. The attempt failed.</p> <p>System Action: Processing stops.</p> <p>User Response: Check the LOG.DSM file to see why it cannot be opened or created.</p>
-----------------	--

ANS0932I	<p>No matching data on server.</p> <p>Explanation: An attempt was made to query one or more backup copies of notes on the TSM server, but no copies existed or an attempt was made to merge the data notes (documents) from the TSM server into the original database, but no data notes existed.</p> <p>System Action: The program ends.</p> <p>User Response: If you believe that some matching data should exist on the server, check your database path name to ensure that you are using the correct database file name. If the -merge keyword is used, your database might only have nondata notes (documents).</p>
-----------------	---

ANS0933E	<p>The days value is invalid.</p> <p>Explanation: The days value is either negative or greater than 65535.</p> <p>System Action: Processing stops.</p> <p>User Response: Use correct days value.</p>
-----------------	--

ANS0934E	<p>TSM new passwords do not match.</p> <p>Explanation: An attempt was made to change the TSM password through the Lotus Notes workspace but the two new TSM passwords entered did not match.</p> <p>System Action: Processing stops.</p> <p>User Response: Retry the command with matching new TSM passwords.</p>
-----------------	---

ANS0935E	<p>This Notes database file not on server.</p> <p>Explanation: Either the given database file was not backed up on the server, or the database file space was removed from the server.</p> <p>System Action: Processing stops.</p> <p>User Response: Check the name of the database to ensure that it is the correct database, and check the DSM.OPT file to ensure that you are accessing the correct TSM server. You can ask the TSM administrator to check the filespaces for your node. A database name is equivalent to a filespace.</p>
-----------------	---

ANS0936E **This action is not allowed on a remote database.**
Explanation: The action you tried to perform is not allowed on a database that is not local.
System Action: Processing stops.
User Response: If the action is not allowed through the Notes workspace interface, but allowed through the TSM Notes application client command-line interface, then use the appropriate dsmnotes command. An alternative is to complete the action on the appropriate machine.

ANS0937E **Cannot enter new database name (OS/2). Must restore to original database (AIX and Windows NT).**
Explanation: You are not allowed to enter a new target database name for this restore operation.

For OS/2, refer to the dsmnotes restore -FROMDATE option in the user's guide documentation.
System Action: Processing stops.
User Response: If your interface is the Notes workspace, then replace the database name in the entry field with blanks. If your interface is a command, then do not specify a target ("TO") database.

ANS0938E **Database name required.**
Explanation: You are required to enter a database name.
System Action: Processing stops.
User Response: Enter the database name.

ANS0939I **No deletion stubs in database.**
Explanation: There are no deletion stubs in the given database.
System Action: The program ends.
User Response: If there are no deletion stubs in the database to initiate the restore, then you may need to rebuild the database by restoring the older version of the database file through the TSM client.

ANS0940E **Some options are mutually exclusive.**
Explanation: Some of the options specified are mutually exclusive. For example:

- For OS/2, the options "-MERGE=NO", "-TO" and "-FROMDate" cannot all be specified simultaneously because a new target database may not be operable if some documents (such as view and form design documents) are excluded.

Design documents are normally backed up with the initial incremental, and not subsequently modified. In this situation, allowing the FROMDate option would cause some design documents to be excluded when creating the new database.
- For AIX and Windows NT, the options "-MERGE" and "-TO" are mutually exclusive because a new target database cannot be specified for a merge.

System Action: Processing stops.

User Response: Correct the syntax of the command and then reissue the command.

ANS0941E

Invalid date/time range.

Explanation: An invalid date or time range was given. For example, the “TO” time is earlier than the “FROM” time.

System Action: Processing stops.

User Response: Correct the date or time range and rerun the program. Be sure that all year, month, day, hour, and minute values are in the correct order and are valid values.

ANS0942E

No notes chosen.

Explanation: An attempt was made to restore a note or notes, but no notes documents were chosen.

System Action: Processing stops.

User Response: On the Lotus Notes Workspace, select the notes to be restored by placing a checkmark next to the notes.

ANS0944E

dsmnotes errors occurred.

Explanation: Errors occurred on one or more databases.

System Action: The program partially completes.

User Response: Check the LOG.DSM file for further details about the failure.

ANS0947E

Error initializing Notes.

Explanation: Error occurred while initializing the Lotus Notes runtime system.

System Action: Processing stops.

User Response: Check the Lotus Notes environment. Try to bring up your Notes workspace if you have not already done so. Also, check the NOTES.INI file to see if it has the correct setup for the Tivoli Data Protection application client. Refer to the user’s guide of the corresponding platform.

ANS0948E

Pathname is a directory.

Explanation: An attempt was made to restore a single Database but the pathname specified was a directory.

System Action: Processing stops.

User Response: If you want to restore a single database, make sure your database name ends with a “.nsf” extension.

ANS0950E

Data on server has an invalid version.

Explanation: Data structure for the application is not compatible with the data stored on the server.

System Action: Processing stops.

User Response: Check the user's software version.

ANS0951E **Lotus Notes error: *error_code* occurred.**
Explanation: A Lotus Notes error has occurred but the Tivoli Data Protection application client was not able to translate the error code into a valid Lotus Notes error message.
System Action: Processing stops.
User Response: The supported Lotus Notes version is 4.50 for AIX and NT, or 4.52 or above for OS/2. You probably have a downlevel Lotus Notes software installed on your system. Check with your Lotus Notes Administrator for assistance.

ANS0952E **TSM error: *error_code* occurred.**
Explanation: A TSM error has occurred but the Tivoli Data Protection application client was not able to translate the error code into a valid TSM error message.
System Action: Processing stops.
User Response: Check with your TSM Administrator for assistance.

ANS0953E **No license or license expired.**
Explanation: You do not have a valid Tivoli Data Protection application client license or your license has already expired.
System Action: Processing stops.
User Response: Refer to the user's guide of the corresponding platform or call the IBM sales representatives for license information.

ANS0955E **Database IDs do not match.**
Explanation: An attempt was made to back up a database that has the same path and name as a database that is previously backed up to the TSM server. These two databases have the same name, but they have different database IDs. As a result, they were treated as two different databases.
System Action: Processing stops.
User Response: Rename the database to be backed up. If the database that is previously backed up in the TSM server is no longer needed, ask your TSM administrator to delete the database's filespace on the server.

ANS0956E **The TSM password is needed.**
Explanation: A TSM password is required.
System Action: Processing stops.
User Response: If the TSM PASSWORDACCESS PROMPT option in the option file is used, you are required to enter the password by using the -adsmpw keyword.

If the TSM PASSWORDACCESS GENERATE option is used, issue the dsmnotes change command with appropriate parameters to create a password file. Refer to the user's guide of the corresponding platform for the correct syntax to use.

ANS0957E	<p>An operation is already active. Explanation: An active restore operation is being processed. System Action: Processing stops. User Response: Wait for the active restore operation to complete before starting a second one.</p>
<hr/>	
ANS0958E	<p>Usage: dsmnotes change -adsmpw=old -newadsmpw=new Explanation: The syntax of the dsmnotes change command is incorrect. System Action: Processing stops. User Response: Use correct syntax. Refer to the user's guide of the corresponding platform for the correct syntax.</p>
<hr/>	
ANS0959I	<p>TSM password changed. Explanation: The TSM password has been changed successfully. System Action: The program completes successfully. User Response: None.</p>
<hr/>	
ANS0960E	<p>Cannot write over data in buffer. Explanation: An attempt was made to overwrite valid data in the buffer. System Action: Processing stops. User Response: Check the integrity of the database by opening it in the Lotus Notes workspace. If the database opens successfully, reissue the command. If the error is persistent, contact the IBM technical support.</p>
<hr/>	
ANS0961E	<p>Database not allowed. Explanation: A database name is not allowed with this command. System Action: Processing stops. User Response: Remove the database name and reissue the command.</p>
<hr/>	
ANS0962E	<p>Filespace not allowed. Explanation: A filespace name is not allowed with this command. System Action: Processing stops. User Response: Remove the filespace name and reissue the command.</p>
<hr/>	
ANS0964E	<p>Invalid Notes Build Version. Explanation: A wrong version of Tivoli Data Protection application client is being used. System Action: Processing stops. User Response: Check the Tivoli Data Protection application client Readme file to verify if the installed Tivoli Data Protection application client supports the current version of Lotus Notes on your workstation. Uninstall the current version of Tivoli</p>

Data Protection application client. Then reinstall and be sure to select the correct version of Tivoli Data Protection application client during the installation.

- ANS0970I** **Processing log file** *Logname*.
Explanation: The Tivoli Data Protection application client's log file is being processed.
System Action: Program continues.
User Response: None.
-
- ANS0971E** **Too few parameters.**
Explanation: One or more parameters are required.
System Action: Processing stops.
User Response: Refer to the user's guide of the corresponding platform for the correct number of parameters. Enter the correct number of parameters and reissue the command.
-
- ANS0972E** **Too many parameters.**
Explanation: Too many parameters were passed to the command.
System Action: Processing stops.
User Response: Refer to the user's guide of the corresponding platform for the correct number of parameters. Enter the correct number of parameters and reissue the command.
-
- ANS0973E** **Invalid parameter:** *parameter*.
Explanation: An invalid parameter is entered.
System Action: Processing stops.
User Response: Correct the invalid parameter. Reissue the command.
-
- ANS0974E** **No log file is specified.**
Explanation: The Tivoli Data Protection application client's log file is not entered.
System Action: Processing stops.
User Response: Enter a fully qualified Tivoli Data Protection application client log file, then reissue the command.
-
- ANS0975E** **No log database is specified.**
Explanation: The Lotus Notes log database is not entered.
System Action: Processing stops.
User Response: Enter the Lotus Notes log database (usually log.nsf). Refer to the user's guide of the corresponding platform for further information.
-

ANS0976E **Error opening the log database *DBname*.**
Explanation: The specified log database cannot be opened.
System Action: Processing stops.
User Response: Verify the path name of your log database. If the path name is correct, verify the log database itself to ensure that it can be opened through the Notes workspace.

ANS0977E **Error getting the mode of log database *DBname*.**
Explanation: The program cannot verify that the input log database is a valid database.
System Action: Processing stops.
User Response: Verify the path name of your log database. If the path name is correct, then verify the log database itself to ensure that it can be opened in the Notes workspace.

ANS0978E ***DBname*. is not a Lotus Notes database.**
Explanation: An invalid database has been specified.
System Action: Processing stops.
User Response: Verify the path name of your log database. If the path name is correct, verify the log database itself to ensure that it can be opened in the Notes workspace.

ANS0979E **Error closing log file *Logname*: system error code.**
Explanation: An I/O error occurred when an attempt was made to close the Tivoli Data Protection application client's log file.
System Action: Processing stops.
User Response: Check the access permission on the Tivoli Data Protection application client's log file.

ANS0980E **Error deleting log file *Logname*: system error code.**
Explanation: An I/O error occurred when an attempt was made to delete the Tivoli Data Protection application client's log file.
System Action: Processing stops.
User Response: Check the access permission on the Tivoli Data Protection application client's log file.

ANS0981E **Error getting log file start time.**
Explanation: The program is not able to interpret the first date/time stamp in the Tivoli Data Protection application client's log file. The first date/time stamp format either does not match the date/time stamp format of your operating system, or it is corrupted.
System Action: Processing stops.

User Response: For consistency reason, the date/time stamp format of the log file must match the date/time stamp format of your operating system. Check the locale of your operating system to ensure that you have matching date/time stamp formats.

ANS0982E**Error getting log file end time.**

Explanation: The program is not able to interpret the last date/time stamp in the TSMConnect Agent's log file. The last date/time stamp format either does not match the date/time stamp format of your operating system, or it is corrupted.

System Action: Processing stops.

User Response: For consistency reason, the date/time stamp format of the log file must match the date/time stamp format of your operating system. Check the locale of your operating system to ensure that you have matching date/time stamp formats.

ANS0983W**Too large a record in log file.**

Explanation: One of the records in the Tivoli Data Protection application client is too large, or there is no carriage return character in the log file.

System Action: Program continues.

User Response: If the command is successful, check the log database to ensure that the correct record was added to the database. If the command fails, verify that the data in the Tivoli Data Protection application client's log file is valid.

ANS0984E**Error opening the log file *Logname: system error code.***

Explanation: An I/O error occurred when an attempt was made to open the Tivoli Data Protection application client's log file.

System Action: Processing stops.

User Response: Verify the path name of the log file. Also Check the access permission on the log file.

ANS0985E**Error closing the database *DBname: system error code.***

Explanation: An I/O error occurred when an attempt was made to close the log database.

System Action: Processing stops.

User Response: Check the access permission on the log database.

ANS0986I**Log file *Logname* successfully written to *DBname*.**

Explanation: The Tivoli Data Protection application client's log file has been successfully written to the log database.

System Action: The program completes successfully.

User Response: None.

ANS0987E**Log file *Logname* NOT written to *DBname*.**

Explanation: The Tivoli Data Protection application client's log file was not written to the log database due to error.

System Action: Processing stops.

User Response: Check the error messages that preceded this message.

ANS0988I

Log file *Logname* deleted.

Explanation: The Tivoli Data Protection application client's log file was deleted because the "-d" option was used.

System Action: The program completes successfully.

User Response: None.

ANS0989E

Log file *Logname* was NOT deleted, due to error.

Explanation: The user has used the option "-d" but the Tivoli Data Protection application client's log file was NOT deleted due to error.

System Action: Processing stops.

User Response: Check the error messages that preceded this message.

17

Tivoli Data Protection for Microsoft SQL (ACO0301-5203)

-
- ACO0301E** **Invalid option found while processing options file.**
Explanation: A request was made to the ADSM API. While the API was processing the request, there was an invalid option found in the options file.
System Action: The current request is ended.
User Response: The option in error is written to the DSIERROR.LOG. View this file and modify this option appropriately.
-
- ACO0601E** **Unable to read from tips file.**
Explanation: An attempt was made to read from the “Tips of the Day” file.
System Action: No tip is displayed.
User Response: Be sure that the tips file is installed and had not been corrupted.
-
- ACO0602E** **Error detecting protocols.**
Explanation: An attempt was made to detect the protocols that are installed on this machine. The attempt to get this information failed.
System Action: The list box of protocols is displayed with this message.
User Response: Determine if the protocols on your system are functioning. If they are, try to run the command again. If not, fix the protocols in error, and run the command again.
-
- ACO0603E** **Could not load the resource dll -- %1 Either reinstall or replace the copy of the missing DLL file.**
Explanation: An attempt was made to load the DLL listed in the message.
System Action: The agent is not loaded.
User Response: Either reinstall the agent or replace the copy of the DLL listed in the message with the current level of the DLL.
-

ACO0604E **Could not determine the ADSM database agent source path.**
Explanation: An attempt was made to read the registry to determine where the agent was installed.
System Action: Processing continues getting the information that it needs from the current directory.
User Response: There are two choices: either cancel the request if the correct files are not in the current directory, or allow the request to complete and take action as to whether the correct results were obtained. This error may indicate that you are not running with the required permissions. Make sure you are running with local administrator permission. This may also indicate that the agent was not installed properly and may require a reinstall.

ACO0609E **A TCP/IP address is required.**
Explanation: The chosen protocol was TCP/IP. However, there was not a TCP/IP address entered.
System Action: The Options File Editor will be redisplayed.
User Response: Press the Settings button on the Options File Editor to enter the TCP/IP address. Or, you may choose to cancel from the editor.

ACO0610E **A TCP/IP port number is required.**
Explanation: The chosen protocol was TCP/IP. However, there was not a TCP/IP port value entered.
System Action: The Options File Editor will be redisplayed.
User Response: Press the Settings button on the Options File Editor to enter the TCP/IP port value. Or, you may choose to cancel from the editor.

ACO0611E **TCP/IP port value must be between 1000 and 32767.**
Explanation: The chosen protocol was TCP/IP. The value entered for the TCP/IP port is not valid.
System Action: The Options File Editor will be redisplayed.
User Response: Press the Settings button on the Options File Editor to enter the TCP/IP port value between 1000 and 32767. Or, you may choose to cancel from the editor.

ACO0612E **Error obtaining message from resource dll.**
Explanation: An attempt was made to get a message from the message DLL. This attempt failed.
System Action: This message is displayed in the protocol box.
User Response: The agent should be reinstalled. This will include the correct version of the message DLL.

-
- ACO0616E** **A Named pipe name is required.**
Explanation: The chosen protocol was Named Pipe. However, there was no value entered for the Named Pipe Name.
System Action: The Options File Editor will be redisplayed.
User Response: Press the Settings button on the Options File Editor and enter a value for the Named Pipe Name. Or, you may choose to cancel from the editor.
-
- ACO0617E** **A NetBIOS name is required.**
Explanation: The chosen protocol was NetBIOS. However, there was no value entered for the NetBIOS Name.
System Action: The Options File Editor will be redisplayed.
User Response: Press the Settings button on the Options File Editor and enter a value for the NetBIOS Name. Or, you may choose to cancel from the editor.
-
- ACO0618E** **A NetBIOS servername is required**
Explanation: The chosen protocol was NetBIOS. However, there was no value entered for the NetBIOS Server Name.
System Action: The Options File Editor will be redisplayed.
User Response: Press the Settings button on the Options File Editor and enter a value for the NetBIOS Server Name. Or, you may choose to cancel from the editor.
-
- ACO0619E** **An IPX socket value is required.**
Explanation: The chosen protocol was IPX/SPX. However, there was no value entered for the IPX socket.
System Action: The Options File Editor will be redisplayed.
User Response: Press the Settings button on the Options File Editor and enter a value for the IPX socket. Or, you may choose to cancel from the editor.
-
- ACO0620E** **An IPX server address is required.**
Explanation: The chosen protocol was IPX/SPX. However, there was no value entered for the IPX Server Address.
System Action: The Options File Editor will be redisplayed.
User Response: Press the Settings button on the Options File Editor and enter a value for the IPX Server Address. Or, you may choose to cancel from the editor.
-
- ACO1604E** **Unable to obtain message number %1!u! from %2**
Explanation: An error occurred while obtaining a message from the message DLL.
System Action: Processing continues.
User Response: Verify that the correct Agent message DLL is installed. If the error continues contact IBM ADSM support.
-

ACO2218E **Unknown error. RC: %!u!**
Explanation: An attempt was made to get the text of a system error.
System Action: Instead of getting the system error text, this message is used. The Agent code continues.
User Response: Determine if the current level of the system DLL is loaded.

ACO2219E **Unable to find system message**
Explanation: An attempt was made to get the text of a system error.
System Action: Instead of getting the system error text, the current message is displayed.
User Response: Determine if the current level of the system DLL is loaded.

ACO2504E **The name specified in the Adsm server identifier field cannot include periods ('.'). Please re-enter.**
Explanation: The name specified in the ADSM server identifier field contains one or more periods.
System Action: The agent prompts for another server identifier.
User Response: The user should enter a name without a period.

ACO2518E **Invalid command line parameter: %1**
Explanation: An invalid parameter has been entered on the command line.
System Action: Processing ends.
User Response: Re-enter the command and be sure to enter a valid command line.

ACO2519E **Out of Heap Space.**
Explanation: An attempt was made to allocate a buffer. However, there is no more heap space for the buffer.
System Action: Processing ends.
User Response: Try stopping other processes, and retry the operation.

ACO2520E **Incomplete command line parameter: %1**
Explanation: The command you entered was incomplete.
System Action: Processing ends.
User Response: View the line displayed in the message. Determine the error and re-issue the command.

ACO2521E **Parameter '%1' conflicts with previous parameters.**
Explanation: A parameter has been entered on the command line that conflicts with a previous parameter that was entered.
System Action: Processing ends.

User Response: From the message displayed, the conflicting parameter is identified. View the command line to discover the conflict and re-enter the command correctly.

ACO2522E **/ADSMNODE option is not valid when PASSWORDACCESS GENERATE is specified in the options file, %1.**
Explanation: The ADSMNODE and PASSWORDACCESS GENERATE may not be specified at the same time.
System Action: Processing ends.
User Response: Re-enter the command with either ADSMNODE or PASSWORDACCESS GENERATE.

ACO2526W **The amount of data exceeds the available buffer space for this query.**
Explanation: There was not enough buffer space to receive all of the information regarding the SQL databases.
System Action: Processing continues.
User Response: Re-issue the command to see if the complete list can now be obtained. If the problem persists, contact IBM ADSM support.

ACO2527E **No ADSM servers (options files) were found.**
Explanation: An attempt was made to locate all of the ADSM servers. This attempt failed.
System Action: Processing ends.
User Response: Be sure that there are options files defined for your ADSM servers.

ACO2534E **Missing TCP/IP address.**
Explanation: There is no TCP/IP address defined for the ADSM server.
System Action: Processing continues.
User Response: Before connecting to this ADSM server, a TCP/IP address needs to be defined.

ACO2536E **Missing TCP/IP port.**
Explanation: There is no TCP/IP port defined for the ADSM server.
System Action: Processing continues.
User Response: Before connecting to this ADSM server, a TCP/IP port value needs to be defined.

ACO2539E **Missing IPX/SPX address.**
Explanation: There is no IPX/SPX address defined for the ADSM server.
System Action: Processing continues.
User Response: Before connecting to this ADSM server, an IPX/SPX address needs to be defined.

ACO2541E **Missing IPX/SPX socket.**
Explanation: There is no IPX/SPX socket value defined for the ADSM server.
System Action: Processing continues.
User Response: Before connecting to this ADSM server, an IPX/SPX socket value needs to be defined.

ACO2544E **Missing NetBIOS name.**
Explanation: There is no NetBIOS name defined for the ADSM server.
System Action: Processing continues.
User Response: Before connecting to this ADSM server, a NetBIOS name will need to be defined.

ACO2546E **Missing NetBIOS server name.**
Explanation: There is no NetBIOS server name defined for the ADSM server.
System Action: Processing continues.
User Response: Before connecting to this ADSM server, a NetBIOS server name will need to be defined.

ACO2550E **Missing Named Pipe name.**
Explanation: There is no Named Pipe Name defined for the ADSM server.
System Action: Processing continues.
User Response: Before connecting to this ADSM server, a Named Pipe Name will need to be defined.

ACO2552E **Could not open %1.opt.**
Explanation: An attempt was made to open the options file defined in the message.
System Action: Processing ends.
User Response: Determine if the options file exists. If it does, try issuing the command again. If it does not, create the file and try issuing the command again.

ACO2553E **File error reading from %1.opt.**
Explanation: An attempt was made to read from the options file defined in the message.
System Action: Processing ends.
User Response: Determine if there is an error with the options file. Try running the command again.

ACO2557E **License file (%1) could not be opened. Reason: %2**
Explanation: At attempt was made to read from the license file. This attempt failed.
System Action: Processing ends.

User Response: Reinstall the product. This will ensure that the correct license file is installed.

ACO2558E **Read failure on license file (%1).**
Explanation: An attempt was made to read from the license file. This attempt failed.
System Action: Processing ends.
User Response: Reinstall the product. This will ensure that the correct license file is installed.

ACO2559E **Write failure on license file (%1).**
Explanation: An attempt was made to write to the license file. This attempt failed.
System Action: Processing ends.
User Response: Be sure that there is enough space on the workstation to write the file. If there is, try running the command again.

ACO2560E **Data in the license file (%1) is not in a valid format.**
Explanation: An attempt was made to read information from the license file. This attempt failed.
System Action: Processing ends.
User Response: Reinstall the product.

ACO2561E **The checksum in the license file (%1) does not match the license string text.**
Explanation: An attempt was made to read information from the license file. The checksum was not valid so it appears the license file is not at the correct level.
System Action: Processing ends.
User Response: Reinstall the product.

ACO2562E **This is an expired 'Try and Buy'.**
Explanation: While reading the license file, it was determined that the Try and Buy license has expired.
System Action: Processing ends.
User Response: This product is no longer valid for use. A valid license must be obtained before running the product.

ACO2563E **Unrecognized return code from the ADSM license manager.**
Explanation: An attempt was made to read information from the license file. This attempt failed.
System Action: Processing ends.
User Response: Reinstall the product.

ACO2564E	<p>Unable to open log file: %1. Explanation: An attempt was made to open the log file specified in the message. This attempt failed. System Action: Processing ends. User Response: Be sure that there is enough space on the disk where the log file is being written. Make sure the user has the correct permissions to write to the directory. Re-issue the command.</p>
-----------------	--

ACO2565E	<p>Unable to open trace file: %1. Explanation: An attempt was made to open the trace file. This attempt failed. System Action: Processing ends. User Response: Re-issue the command. Either specify a different trace file or do not specify a trace file.</p>
-----------------	---

ACO2570E	<p>Your ADSM password has expired. Explanation: An attempt was made to connect to the ADSM server. However, the ADSM password has expired. System Action: Processing ends. User Response: Reset the ADSM password for the node.</p>
-----------------	--

ACO2573E	<p>A server name is required. Explanation: A value was not entered for the server name. System Action: Processing has focus on the server name. User Response: Enter a server name.</p>
-----------------	--

ACO2574E	<p>A computer name is required. Explanation: A value was not entered for the computer name. System Action: Processing has focus on the computer name. User Response: Enter a computer name.</p>
-----------------	--

ACO2575E	<p>A login ID is required. Explanation: A value was not entered for the login ID. System Action: Processing has focus on the login ID. User Response: Enter a login ID.</p>
-----------------	--

ACO2576E	<p>TCP/IP is not active on this computer. Explanation: An attempt was made to use the TCP/IP protocol. This attempt failed. System Action: Processing ends. User Response: If the protocol wanted is truly TCP/IP, then be sure that TCP/IP is installed and configured correctly. When this is done, re-issue the command.</p>
-----------------	--

ACO2577E **An IPX socket value is required.**
Explanation: The chosen protocol was IPX/SPX. However, there was no value entered for the IPX socket.
System Action: The Options File Editor will be redisplayed.
User Response: Press the Settings button on the Options File Editor and enter a value for the IPX socket.

ACO2578E **An IPX server address is required.**
Explanation: The chosen protocol was IPX/SPX. However, there was no value entered for the IPX Server Address.
System Action: The Options File Editor will be redisplayed.
User Response: Press the Settings button on the Options File Editor and enter a value for the IPX Server Address.

ACO2579E **A TCP/IP port number is required.**
Explanation: The chosen protocol was TCP/IP. However, there was not a TCP/IP port value entered.
System Action: The Options File Editor will be redisplayed.
User Response: Press the Settings button on the Options File Editor to enter the TCP/IP port value. Or, you can choose to cancel from the editor.

ACO2580E **A TCP/IP address is required.**
Explanation: The chosen protocol was TCP/IP. However, there was not a TCP/IP address entered.
System Action: The Options File Editor will be redisplayed.
User Response: Press the Settings button on the Options File Editor to enter the TCP/IP address. Or, you may choose to cancel from the editor.

ACO2581E **A NetBIOS name is required.**
Explanation: The chosen protocol was NetBIOS. However, there was no value entered for the NetBIOS Name.
System Action: The Options File Editor will be redisplayed.
User Response: Press the Settings button on the Options File Editor and enter a value for the NetBIOS Name.

ACO2582E **A NetBIOS servername is required.**
Explanation: The chosen protocol was NetBIOS. However, there was no value entered for the NetBIOS Server Name.
System Action: The Options File Editor will be redisplayed.
User Response: Press the Settings button on the Options File Editor and enter a value for the NetBIOS Server Name.

ACO2583E **A Named pipe name is required.**
Explanation: The chosen protocol was Named Pipe. However, there was no value entered for the Named Pipe Name.
System Action: The Options File Editor will be redisplayed.
User Response: Press the Settings button on the Options File Editor and enter a value for the Named Pipe Name.

ACO2584E **Failed to delete the specified options file.**
Explanation: An attempt was made to delete the options file. This attempt failed.
System Action: Processing ends.
User Response: It is possible that the file is a read-only file, or exists on a volume that you do not have authority to delete from. Determine the problem and re-enter the request.

ACO2585E **The machine ran out of memory while processing the database tree.**
Explanation: While preparing the tree of the databases to display, the machine ran out of memory.
System Action: Processing continues.
User Response: Free up some of the system memory and rerun the application.

ACO2589E **The specified database objects are not available on the selected ADSM server (%1).**
Explanation: An attempt was made to list the database objects that exist on an ADSM server. However, there are no objects on the ADSM server selected for this database.
System Action: Processing ends.
User Response: Choose a server that has the database object, or backup the database object to this specific server.

ACO2590W **The amount of data exceeds the available buffer space for this query. Click OK to see a partial list of objects.**
Explanation: There was not enough buffer space to hold all of the information from the ADSM Server. However, a partial list was obtained.
System Action: Processing will continue showing the partial list.
User Response: Determine if this is okay. If not, free up some buffer space and reissue the request.

ACO2592E **ADSM server name required**
Explanation: A value needs to be entered for the ADSM Server Name.
System Action: Processing has focus on the ADSM Server Identifier.
User Response: Enter an ADSM Server name.

ACO2593E **An ADSM server named %1 is already defined. Enter a new name to continue.**
Explanation: A value was entered for the ADSM Server name. However, this server name already exists.
System Action: Processing has focus on the server name.
User Response: Enter a unique ADSM Server name.

ACO2594E **Could not find Internet Explorer**
Explanation: An attempt was made to read the registry to determine where Microsoft's Internet Explorer was installed. This attempt failed.
System Action: Processing ends.
User Response: Make sure that the registry is set up correctly for Internet Explorer.

ACO2595E **Could not find the ADSM HTML books**
Explanation: An attempt was made to read the registry to determine where the agent was installed. This attempt failed.
System Action: Processing ends.
User Response: It may be necessary to reinstall the agent code. This will ensure that the registry entries are set up correctly.

ACO2596E **Failed to start Web browser**
Explanation: An attempt was made to start the web browser to view the ADSM HTML book. This attempt failed.
System Action: Processing ends.
User Response: Start your web browser manually and point it to bookfrm.htm in the agent htm directory.

ACO2597I **Could not find the default browser defined. An attempt will be made to use Microsoft's Internet Explorer.**
Explanation: An attempt was made to read the registry to determine the default browser. However, there was not one defined. It will be determined where Microsoft Internet Explorer is installed.
System Action: Processing continues.
User Response: It is possible that a default browser is not defined for the system. This is okay. An attempt will be made to use Microsoft's Internet Explorer.

ACO2598E **Failed to create RAS process.**
Explanation: An attempt was made to start the "Dial-Up Networking" application. This attempt failed.
System Action: Processing ends.
User Response: Be sure that the RASPHONE.EXE file is installed in the appropriate directory.

ACO2599E **Failed to create a system diagnostics process.**
Explanation: An attempt was made to view the System Diagnostics. This attempt failed.
System Action: Processing ends.
User Response: Be sure that the WINMSD.EXE executable exists in the appropriate directory.

ACO2600E **Could not determine the Backup-archive client path.**
Explanation: An attempt was made to determine the path of where the ADSM Backup-Archive client is installed. This attempt failed.
System Action: Processing ends.
User Response: It is possible that the ADSM Backup-Archive client was not installed properly. Reinstall the client so that the proper registry entries are written.

ACO2601E **Could not determine the Administrative client path.**
Explanation: An attempt was made to determine the path where the ADSM Administrative client is installed. This attempt failed.
System Action: Processing ends.
User Response: It is possible that the ADSM Administrative client was not installed properly. Reinstall the client so that the proper registry entries are written.

ACO2602E **Could not determine the Server path.**
Explanation: An attempt was made to locate where the ADSM Server was installed. This attempt failed.
System Action: Processing ends.
User Response: It is possible that the registry entries are not set up correctly. You may want to reinstall the ADSM server code to ensure that the ADSM Server registry entries are set up appropriately.

ACO2603E **Failed to create Backup-archive client process.**
Explanation: An attempt was made to start the ADSM Backup-Archive client. This attempt failed.
System Action: Processing ends.
User Response: Be sure that the DSM.EXE executable exists in the appropriate directory. If it is not, you may need to reinstall the Backup-Archive client to ensure the registry entries are set up appropriately.

ACO2604E **Failed to create the Administrative client process.**
Explanation: An attempt was made to start the Client Administrative GUI. This attempt failed.
System Action: Processing ends.

User Response: Be sure that the DSMADM.EXE file is installed to the appropriate directory. If it is not, you may need to reinstall the ADSM Client Administrative GUI to ensure the registry entries are set up correctly.

ACO2605E**Failed to start the event viewer.**

Explanation: An attempt was made to start the event viewer. This attempt failed.

System Action: Processing ends.

User Response: Be sure that the EVENTVWR.EXE file is installed in the appropriate directory.

ACO2608E**Failed to create ADSM Server process.**

Explanation: An attempt was made to start the ADSM Server Console. This attempt failed.

System Action: Processing ends.

User Response: Be sure that the DSMSEVR.EXE file is located in the correct directory.

ACO2610E**Could not determine the Server Utilities path.**

Explanation: An attempt was made to read the registry to get the location of the server utilities. This attempt failed.

System Action: Processing ends.

User Response: Determine whether or not the Server Utilities are installed. If not, you may want to reinstall the Utilities so that the registry entries are set up appropriately.

ACO2611E**Failed to create Server Utilities process.**

Explanation: An attempt was made to start the server utilities executable. This attempt failed.

System Action: Processing ends.

User Response: Be sure that the ADSM.EXE file is installed to the appropriate directory. If it is not, you may want to reinstall the ADSM Server Utilities to ensure the registry entries are set up correctly.

ACO2615E**No ADSM Servers are selected.**

Explanation: A backup of a database was selected, however there was no ADSM server chosen to backup to.

System Action: Processing ends.

User Response: Re-issue the command specifying an ADSM server.

ACO2616E**No ADSM Agents are selected.**

Explanation: An attempt was made to either restore a database or delete a database backup on the ADSM server. This attempt failed.

System Action: Processing ends.

User Response: Select an ADSM agent and re-issue the command.

ACO2617E **An ADSM password is required.**
Explanation: In order to issue this request, an ADSM password is required.
System Action: Processing ends.
User Response: Re-issue the command specifying an ADSM password.

ACO2618E **The passwords you typed do not match. Type the new password in both text boxes.**
Explanation: A check was done between the “New password” and the “Confirm new password” boxes. They were not the same.
System Action: The “Change ADSM Password” box is redisplayed.
User Response: Re-enter the new password or cancel from the task.

ACO2619E **An ADSM servername must be selected.**
Explanation: An attempt was made to change the ADSM password for a node. This attempt failed.
System Action: The “Change ADSM Password” box is redisplayed.
User Response: Re-enter the change request and make sure to fill in the “ADSM Server” field. Or, you can cancel the task.

ACO2621E **Unable to activate help.**
Explanation: An attempt was made to bring up the help panel on how to use help. This attempt failed.
System Action: Processing continues.
User Response: Retry the operation. If it still fails, try reinstalling the Agent.

ACO2622E **Please enter no more than %1!u! characters.**
Explanation: The value you entered was more than the number of allowable characters. The maximum number of characters allowed for this field is shown in the message.
System Action: Processing has focus on the field that needs to be updated.
User Response: Enter a new value keeping in mind the maximum number of characters that are allowed.

ACO2623E **The default dsm entry is a requirement of the ADSM API. All parameters except the name can be changed.**
Explanation: An attempt was made to rename the default dsm entry. However, the dsm entry is a requirement of the ADSM API and must exist.
System Action: Processing has focus on the ADSM Server name.
User Response: Any other parameter may be changed except for the dsm entry.

ACO2624E	ADSM client node required. Explanation: A request was made to update or create a new ADSM Server options file. However, there was no ADSM node defined. This is required. System Action: Processing has focus on the ADSM client node name. User Response: Enter an ADSM Client node name.
ACO2625E	Internal error detected. Retry the operation. Explanation: An internal processing error has been detected. System Action: Unpredictable. User Response: Retry the operation. If the problem still occurs, report how you obtained this error to IBM ADSM support.
ACO2626E	Unresolved command line error, rc = %1!d!. Report how you obtained this error. Explanation: An internal processing error has been detected. System Action: Unpredictable. User Response: Retry the operation. If the problem still occurs, report how you obtained this error to IBM ADSM support.
ACO2627E	Unable to write to the system registry: %1 Explanation: An attempt to write a system registry entry failed. The reason for the failure may or may not be provided. System Action: Processing ends. User Response: If the reason for the failure is provided, take the appropriate action(s). This may indicate that you are not running with the required permissions. Make sure you are running with local administrator permission. If there is still a problem, contact IBM ADSM support.
ACO2629E	Error opening log file %1. Explanation: An attempt was made to open the log file specified in the message. This attempt failed. System Action: Processing ends. User Response: Be sure that there is enough space on the disk where the log file is being written. Make sure the user has the correct permissions to write to the directory. Re-issue the command.
ACO2630E	Error reading log file %1. Explanation: An attempt was made to read the log file specified in the message. This attempt failed. System Action: Processing ends. User Response: Determine if there is an error with the log file. Try running the command again.

ACO2631E **Error writing log file %1.**
Explanation: An attempt was made to write to the log file specified in the message. This attempt failed.
System Action: Processing ends.
User Response: Be sure that there is enough space on the disk where the log file is being written. Make sure the user has the correct permissions to write to the directory. Re-issue the command.

ACO2632E **Error flushing log file %1.**
Explanation: An attempt was made to write the log file from buffers to disk. This attempt failed.
System Action: Processing ends.
User Response: Be sure that there is enough space on the disk where the log file is being written. Make sure the user has the correct permissions to write to the directory. Re-issue the command.

ACO2633E **Error closing log file %1.**
Explanation: An attempt was made to close the log file specified in the message. This attempt failed.
System Action: Processing ends.
User Response: Be sure that there is enough space on the disk where the log file is being written. Make sure the user has the correct permissions to write to the directory. Re-issue the command.

ACO2634E **Error deleting log file %1.**
Explanation: An attempt was made to delete the log file specified in the message. This attempt failed.
System Action: Processing ends.
User Response: It is possible that the file is a read-only file or exists on a volume that you do not have authority to delete from. Determine the problem and re-enter the request.

ACO2635E **Error opening temporary log file while pruning %1.**
Explanation: An attempt was made to open the temporary log file specified in the message. This attempt failed.
System Action: Processing ends.
User Response: Be sure that there is enough space on the disk where the log file is being written. Make sure the user has the correct permissions to write to the directory. Re-issue the command.

ACO2636E **Error writing temporary log file while pruning %1.**
Explanation: An attempt was made to write to the temporary log file specified in the message. This attempt failed.

System Action: Processing ends.

User Response: Be sure that there is enough space on the disk where the log file is being written. Make sure the user has the correct permissions to write to the directory. Re-issue the command.

ACO2637E Error flushing temporary log file while pruning %1.

Explanation: An attempt was made to flush the temporary log file specified in the message. This attempt failed.

System Action: Processing ends.

User Response: Be sure that there is enough space on the disk where the log file is being written. Make sure the user has the correct permissions to write to the directory. Re-issue the command.

ACO2638E Error closing temporary log file while pruning %1.

Explanation: An attempt was made to close the temporary log file specified in the message. This attempt failed.

System Action: Processing ends.

User Response: Be sure that there is enough space on the disk where the log file is being written. Make sure the user has the correct permissions to write to the directory. Re-issue the command.

ACO2639E Error renaming temporary log file while pruning %1.

Explanation: An attempt was made to rename the temporary log file specified in the message. This attempt failed.

System Action: Processing ends.

User Response: Determine if there is an error with the temporary log file. Try running the command again.

ACO2640I Log file %1 successfully pruned.

Explanation: The log file has been successfully pruned as requested.

System Action: None.

User Response: None.

ACO2641I Log file %1 already meets the log prune specifications: no action taken

Explanation: The log file is unchanged by the prune process.

System Action: None.

User Response: None.

ACO3001E No SQL servers are available.

Explanation: A check was done to determine if a SQL Server was installed on this machine. A SQL Server does not exist on this workstation.

System Action: Processing ends.

User Response: Install the SQL Server and re-issue the command.

ACO3006E	<p>The specified object(s) were not found.</p> <p>Explanation: A request was made to get a list of SQL databases. This request returned no databases.</p> <p>System Action: Processing ends.</p> <p>User Response: Determine if there is a problem with SQL. Re-enter the command.</p>
-----------------	--

ACO3009E	<p>ERROR - /NOTRUNCATE cannot be used with a full database backup.</p> <p>Explanation: A request was made to do a full backup of a database using the /NOTRUNCATE option. This is not valid.</p> <p>System Action: Processing ends.</p> <p>User Response: Re-enter the command. Do not specify the /NOTRUNCATE option.</p>
-----------------	--

ACO3010E	<p>ERROR - /TRUNCAFTER cannot be used with an incremental backup.</p> <p>Explanation: A request was made to do an incremental backup of a database using the /TRUNCAFTER option.</p> <p>System Action: Processing ends.</p> <p>User Response: Re-enter the command. Do not specify the /TRUNCAFTER option.</p>
-----------------	--

ACO3019E	<p>An error was encountered.</p> <p>Explanation: While processing the request, there was an error encountered.</p> <p>System Action: Processing ends.</p> <p>User Response: Review the other messages regarding this error to get more information about the problem.</p>
-----------------	---

ACO3024E	<p>Unable to obtain ADSM error message.</p> <p>Explanation: An ADSM error has occurred.</p> <p>System Action: Processing ends.</p> <p>User Response: Retry the operation. If the same error persists, call IBM ADSM support and report how the error occurred.</p>
-----------------	--

ACO3026E	<p>Error:</p> <p>Explanation: An error has occurred processing the request.</p> <p>System Action: Processing ends.</p> <p>User Response: Review the other messages regarding this error to get more information about the problem.</p>
-----------------	--

ACO3027E	<p>Error: ADSM server errors encountered.</p> <p>Explanation: While processing the request, there were ADSM server errors.</p> <p>System Action: Processing ends.</p>
-----------------	--

User Response: Review the other messages regarding this error to get more information about the problem.

ACO3028E **Error: SQL server errors encountered.**
Explanation: While processing the request, there were SQL server errors.
System Action: Processing ends.
User Response: Review the other messages regarding this error to get more information about the problem.

ACO3030E **Truncation failure:**
Explanation: An error occurred trying to truncate the transaction log.
System Action: Processing ends.
User Response: Review the other messages regarding this error to get more information about the problem.

ACO3036E **Error: %1**
Explanation: An error has occurred reading the options file.
System Action: Processing ends.
User Response: Review the other messages regarding this error to get more information about the problem.

ACO3055E **Error: An invalid ADSM database information record was detected and ignored.**
Explanation: This is an internal error with the format of an ADSM database information record.
System Action: The invalid database information record is ignored.
User Response: Retry the operation. If this error persists, contact IBM ADSM support.

ACO3057E **ERROR - The /IFOLDer option is required for this operation.**
Explanation: This option needs to be entered for the /ADSMAUTODElete command.
System Action: Processing ends.
User Response: Re-enter the command specifying the /IFOLDer option.

ACO3505E **Failed write to SQL server. Check SQL server error log.**
Explanation: An attempt was made to restore a SQL database. This attempt failed to write to the SQL server.
System Action: Processing ends.
User Response: Refer to the SQL server log for a better understanding of the problem.

ACO3801E	<p>A SQL server name or * must be entered.</p> <p>Explanation: A request was made that requires a SQL server name or an asterisk (*) to be specified.</p> <p>System Action: Processing ends.</p> <p>User Response: Re-enter the request specifying a valid SQL server name.</p>
-----------------	---

ACO3802E	<p>A database name or * must be entered.</p> <p>Explanation: A request was made that requires a database name or an asterisk (*) to be specified.</p> <p>System Action: Processing ends.</p> <p>User Response: Re-enter the request specifying a valid database name.</p>
-----------------	---

ACO3803E	<p>Unable to obtain ADSM error message. Please report how you got here.</p> <p>Explanation: There was an error with the task for ADSM to backup the database.</p> <p>System Action: Processing ends.</p> <p>User Response: Please report how you obtained this error to ADSM service.</p>
-----------------	---

ACO3809E	<p>Truncation failed</p> <p>Explanation: An attempt was made to truncate the transaction log. This attempt failed.</p> <p>System Action: Processing ends.</p> <p>User Response: Check the SQL Server error log for more details. Correct the problem and retry.</p>
-----------------	---

ACO3810E	<p>An error was encountered</p> <p>Explanation: An attempt was made to issue a backup request. An unknown error was encountered while trying to do the backup.</p> <p>System Action: Processing ends.</p> <p>User Response: Check the SQL Server error log for more details. Correct the problem and retry.</p>
-----------------	---

ACO3812I	<p>Please enter a password for the ADSM node.</p> <p>Explanation: This is a prompt message.</p> <p>System Action: Processing waits for a password to be entered.</p> <p>User Response: Enter a password for the ADSM node.</p>
-----------------	--

ACO3813E	<p>Please enter a log file name.</p> <p>Explanation: An attempt was made to update the log file for the agent.</p> <p>System Action: The "Activity Logging" tab on the "SQL Agent Settings" panel is redisplayed.</p> <p>User Response: Enter a log file name.</p>
-----------------	--

-
- ACO3815E** **Failed to start the SQL Enterprise Manager.**
Explanation: An attempt was made to start the SQL Enterprise Manager. This attempt failed.
System Action: Processing ends.
User Response: Be sure that the SQLEW.EXE file is installed in the appropriate directory.
-
- ACO3816E** **Failed to create an Editor process.**
Explanation: An attempt was made to open an edit session using the notepad utility of the dsm.opt file. This attempt failed.
System Action: Processing ends.
User Response: Be sure that the notepad utility is installed in the appropriate directory. Also, be sure that the DSM.OPT file exists in the ADSM directory of either the ADSM Backup Client or the ADSM Administrative client, whichever you are trying to edit.
-
- ACO3817E** **Could not set new image for SQL server tree item.**
Explanation: The state icon may not reflect the current state of the SQL Server.
System Action: Processing continues.
User Response: Retry the operation.
-
- ACO3818E** **Could not set new label for SQL server tree item.**
Explanation: The label for the SQL Server tree item may not be up to date.
System Action: Processing continues.
User Response: Retry the operation.
-
- ACO3823E** **The ADSM API DLLs are at a lower version than the application. Install the current ADSM API DLLs to ensure correct operation.**
Explanation: The current ADSM API DLL that is running is a lower version than what the SQL Agent needs. The SQL Agent is expecting the ADSM API DLL to be at least Version 3.
System Action: The SQL Agent command is terminated.
User Response: Install the Version 3 ADSM API.
-
- ACO3825E** **The ADSM API DLLs are at a lower release than the application. Install the current ADSM API DLLs to ensure correct operation.**
Explanation: The current ADSM API DLL that is running is a lower release than what the SQL Agent needs. The SQL Agent is expecting the ADSM API DLL to be at least Release 1.
System Action: The SQL Agent command is terminated.
User Response: Install the Version 3, Release 1 ADSM API.
-

ACO3830I	<p>No SQL Servers are available. Explanation: There are no SQL servers available to display in the tree. System Action: Processing ends. User Response: Check to make sure that SQL is installed properly.</p>
<hr/>	
ACO3831E	<p>Could not set new label for SQL Agent tree item. Explanation: The label for the SQL Agent tree item may not contain the most current label. System Action: Processing continues. User Response: Retry the operation.</p>
<hr/>	
ACO3832E	<p>Could not set new image for SQL Agent tree item. Explanation: The image for the SQL Agent tree item may not contain the most current image. System Action: Processing continues. User Response: Retry the operation.</p>
<hr/>	
ACO3833E	<p>The SQL Server path cannot be found. Explanation: An attempt was made to read the registry to determine where the SQL Server was installed. This attempt failed. System Action: Processing ends. User Response: Make sure you are running with the required permissions (local administrator). If it still fails, try reinstalling the product.</p>
<hr/>	
ACO3834E	<p>Could not initialize OLE. Explanation: An attempt was made to initialize the OLE DLLs. This attempt failed. System Action: Processing ends. User Response: Be sure that the correct version of the OLE system DLL's are installed.</p>
<hr/>	
ACO3835E	<p>The ADSMConnect Agent is not properly installed. The ADSMConnect Agent for Microsoft SQL Server registry key could not be located. Please reinstall the agent. Explanation: An attempt was made to read the registry to determine where the ADSMConnect Agent for Microsoft SQL Server was installed. This attempt failed. System Action: Processing ends. User Response: Reinstall the SQL Agent to ensure that the registry is set up properly.</p>

ACO3836E **The ADSMConnect Agent for Microsoft SQL Server is not properly installed. %1 is a required file and could not be located. Please reinstall the agent.**

Explanation: An attempt was made to start the SQL Agent. This attempt failed because one of the required files is missing. The missing part is identified in the message.

System Action: Processing ends.

User Response: Reinstall the SQL Agent to ensure that the registry is set up properly.

ACO3856E **A password must be entered.**

Explanation: There was a prompt to enter a password for the ADSM node. However, the password was not given.

System Action: Processing continues on the panel to enter the password for the ADSM node.

User Response: Reenter the password for the ADSM node.

ACO3857E **A confirm password must be entered.**

Explanation: On the password prompt panel, you must enter a confirm password.

System Action: Processing is brought back to the password panel for entry of a confirm password.

User Response: Enter a password to be used for confirmation.

ACO3858E **A confirm password does not match password. Please retry.**

Explanation: A confirm password was entered that does not match the new password.

System Action: Processing is brought back to the password panel for reentry of the confirm password.

User Response: Reenter the confirm password and make sure that the confirm password is the same as the new password.

ACO3862W **The ADSMConnect Agent for Microsoft SQL Server is not properly installed. Some functions may not work properly. The product should be reinstalled.**

Explanation: An attempt was made to read the registry to determine where the SQL Agent was installed. This attempt failed.

System Action: Processing ends.

User Response: Reinstall the SQL Agent.

ACO3863E **There are no ADSM servers selected.**

Explanation: A request has been made, but there was no ADSM server selected.

System Action: Processing ends.

User Response: Select an ADSM server and reissue the request.

ACO3866I	<p>The default dsm entry is a requirement of the ADSM API and cannot be deleted.</p> <p>Explanation: An attempt was made to delete the dsm entry from the list of ADSM servers. The dsm entry must exist as a result of a requirement by the ADSM API.</p> <p>System Action: Processing ends. The GUI is displayed for further requests.</p> <p>User Response: None.</p>
<hr/>	
ACO3869E	<p>A SQL server account name must be entered.</p> <p>Explanation: Before you can login to the SQL server, a SQL server account name must be entered. This account name is not known.</p> <p>System Action: Processing waits on the “SQL Server Login Information” panel.</p> <p>User Response: Enter the SQL server account name.</p>
<hr/>	
ACO3870I	<p>Could not log on to SQL server. Please enter your SQL server connection information and try again.</p> <p>Explanation: An attempt was made to connect to the SQL server. This attempt failed as a result of not knowing all of the SQL Server login information.</p> <p>System Action: Process waits on the “SQL Server Login Information” panel.</p> <p>User Response: Enter the correct information on the “SQL Server Login Information” panel and try again.</p>
<hr/>	
ACO3878I	<p>More than one version of a database (%1) is selected for restore. This will cause a redundant restore operation. Are you sure you want to continue?</p> <p>Explanation: An attempt was made to do a restore of the database in the message. However, more than one version was selected for restore.</p> <p>System Action: Processing waits for a “Yes” or “No” answer.</p> <p>User Response: Choose either “Yes”, and the restore of the redundant databases choices will occur, or “No” to cancel the operation.</p>
<hr/>	
ACO3891I	<p>Cannot determine if the original database object (%1) has a separate transaction log. Would you like to display the list of potential target databases anyway?</p> <p>Explanation: An attempt was made to determine if the database object has an integrated log or not. This attempt failed.</p> <p>System Action: Processing waits until a “Yes” or “No” response is chosen.</p> <p>User Response: Choose either “Yes” or “No”.</p>
<hr/>	
ACO3892I	<p>No database information is available. Please expand the tree view so that you see the list of individual databases.</p> <p>Explanation: This is an internal error with a database structure not being filled in correctly.</p> <p>System Action: Processing ends.</p> <p>User Response: Try to stop and restart the GUI and retry the operation.</p>

-
- ACO3893I** **There are no existing databases with integrated transaction logs that are large enough to hold the data from %1. A database object that matches the original type and size must be created before a restore can be completed.**
Explanation: There are no databases with integrated transaction logs large enough to hold the data.
System Action: Processing ends.
User Response: A database object that matches the original type and size must be created before a restore can be completed.
-
- ACO3894I** **There are no existing databases without integrated transaction logs that are large enough to hold the data from %1. A database object that matches the original type and size must be created before a restore can be completed.**
Explanation: There are no databases without integrated transaction logs large enough to hold the data.
System Action: Processing ends.
User Response: A database object that matches the original type and size must be created before a restore can be completed.
-
- ACO3898I** **The date entered was not valid and has been modified, please verify.**
Explanation: The user entered an invalid 'Point in Time' date that was automatically updated to be a valid date.
System Action: Processing continues.
User Response: Verify that the new 'Point in Time' date is correct and continue processing accordingly.
-
- ACO3899E** **An internal error has occurred. The point in time restore date cannot be set.**
Explanation: An internal error has occurred that prevents the setting of the point in time restore "stop at" date. The point in time restore cannot be performed.
System Action: Normal (non-point in time) restore processing continues.
User Response: Attempt the point in time restore using the command line agent. If this problem still occurs contact IBM ADSM support.
-
- ACO3901E** **Base path cannot be located.**
Explanation: An attempt was made to start the ADSM help program for the SQL Connect Agent. This attempt failed.
System Action: Processing ends.
User Response: Be sure that the SQLDSM.HLP file exists in the appropriate directory. If it does not, you may want to reinstall the ADSMConnect Agent for Microsoft SQL Server.
-
- ACO3902E** **Failed to create winhelp process.**
Explanation: An attempt was made to show the SQLDSM.HLP file. This attempt failed.
-

System Action: Processing ends.

User Response: Be sure that the SQLDSM.HLP file is installed to the appropriate directory. If not, it may be necessary to reinstall the agent code so that the registry is set up correctly.

ACO4201E Remote error type detected in local error handler

Explanation: An error was encountered with the ADSM API.

System Action: Processing ends.

User Response: Review the other messages regarding this error to get more information about the problem.

ACO4202E Service error encountered, rc = %!lu!

Explanation: An attempt was made to either stop or open a Microsoft NT Service. This attempt has failed.

System Action: Processing ends.

User Response: Identify the problem further by checking the circumstances that generated this message and retry the operation.

ACO4203E Timed out while attempting to logon to the ADSM server.

Explanation: An attempt was made to logon to the ADSM Server. However, the connection was not made in the allowable time.

System Action: Processing ends.

User Response: Determine if the ADSM Server is up and running. If it is, try again. Otherwise, wait for the needed ADSM Server to be running.

ACO4204W Available data exceeds the amount of available memory. Try reducing the amount of stored data.

Explanation: There is more information than that which is shown. However, there is no available memory to receive the information.

System Action: Processing continues with the incomplete information.

User Response: Try to obtain more memory and retry the command.

ACO4205E Timed out while attempting to logon to the SQL server.

Explanation: An attempt was made to logon to the SQL Server. However, the connection was not made in the allowable time, which is 60 seconds.

System Action: Processing ends.

User Response: Determine if the SQL Server is up and running. If it is, try again. Otherwise, wait for the needed SQL Server to be running.

ACO4206E Caught exception while issuing dsminit.

Explanation: An attempt was made to run an initialization routine. This attempt failed.

System Action: Processing ends.

User Response: Retry the operation. If the problem persists, please contact IBM ADSM support and indicate how this message was received.

ACO4207E **No matching objects were found.**
Explanation: An attempt was made to query a database object. This attempt failed as there were no objects found matching the input.
System Action: Processing ends.
User Response: Reenter the command indicating a database object that exists.

ACO4208E **A database name is required.**
Explanation: A database name is required to do the function requested.
System Action: Processing ends.
User Response: Reenter the command making sure that a database is specified.

ACO4209E **A named pipe name is required.**
Explanation: An attempt was made to do the requested function. However, the pipename to the SQL server is not set.
System Action: Processing ends.
User Response: Retry the operation. If the problem still occurs, contact IBM ADSM support and let them know how this error was obtained.

ACO4210E **Failed to connect to SQL server.**
Explanation: An attempt was made to connect to a SQL server. This attempt failed.
System Action: Processing ends.
User Response: There are several reasons why a connection could not be made to the SQL server:

- Insufficient memory
- Maximum number of connections to the SQL server have been reached
- SQL Server is unavailable or does not exist
- Login information is incorrect.

Check which of these items caused the failure, and correct the problem.

ACO4211E **SQL EXEC failed.**
Explanation: An attempt was made to either use a SQL database or to send a command to the SQL server. This attempt failed.
System Action: Processing ends.
User Response: There could be a problem with the SQL Server permissions. Determine if this is the case. Retry the operation. If the problem still occurs contact IBM ADSM support and report how this error was obtained.

ACO4212E	<p>An incremental backup cannot be performed because the named database does not have a separate transaction log.</p> <p>Explanation: An incremental backup was requested however the database does not have a separate transaction log.</p> <p>System Action: Processing ends.</p> <p>User Response: Only a full backup is allowed for this particular database.</p>
<hr/>	
ACO4213E	<p>Could not build a SQL command.</p> <p>Explanation: An attempt was made to build a command to send to the SQL server. This attempt failed.</p> <p>System Action: Processing ends.</p> <p>User Response: Retry the operation. If the failure persists, contact IBM ADSM support and report how the error occurred.</p>
<hr/>	
ACO4214E	<p>The input buffer was not large enough to hold the complete list of databases.</p> <p>Explanation: An attempt was made to get a list of the databases. This attempt failed as a result of a buffer being defined that was not large enough.</p> <p>System Action: Processing ends.</p> <p>User Response: Retry the operation. If the problem still occurs, contact IBM ADSM support and report how the error occurred.</p>
<hr/>	
ACO4215E	<p>Unable to obtain attributes for the specified SQL database.</p> <p>Explanation: An attempt was made to get the attributes for a SQL database. This attempt failed.</p> <p>System Action: Processing ends.</p> <p>User Response: Stop and restart the SQL Server. Retry the operation. If the problem persists, contact IBM ADSM support and report how the error occurred.</p>
<hr/>	
ACO4216E	<p>Could not connect to SQL Server. SQL server (%1) was not found on this machine.</p> <p>Explanation: An attempt was made to start the SQL Server listed in the message. This attempt failed.</p> <p>System Action: Processing ends.</p> <p>User Response: Be sure that the SQL server exists. Also, be sure that the SQLSERVR.EXE file exists.</p>
<hr/>	
ACO4217E	<p>Unable to obtain the name of the local SQL server.</p> <p>Explanation: An attempt was made to get the name of the local SQL server. The attempt failed.</p> <p>System Action: Processing ends.</p> <p>User Response: Retry the operation. If the problem persists, contact IBM ADSM support and report how the error occurred.</p>

-
- ACO4218E** **Could not open the ADSM client message file (dscameng.txt). Ensure that this file is installed in the correct location.**
Explanation: An attempt was made to send a command to the ADSM API. However, the API code could not find the dscameng.txt file.
System Action: Processing ends.
User Response: Make sure that the dscameng.txt file exists. If it does not, try reinstalling the product.
-
- ACO4219E** **Your ADSM password has expired. You can update your ADSM password from the Server | ADSM Server | Change password menu item.**
Explanation: An attempt was made to connect to the ADSM server. However, the attempt failed because the client node password has expired.
System Action: Processing ends.
User Response: The client node password needs to be changed. The message lists a method that can be used to update the password.
-
- ACO4227E** **No matching SQL databases were found.**
Explanation: An attempt was made to get a list of SQL databases. However, there were none found.
System Action: Processing ends.
User Response: Reenter the database name to one that exists.
-
- ACO4228E** **Error retrieving agent error code.**
Explanation: An error code was sent to the error handler that currently does not exist in the error handler routine.
System Action: Processing ends.
User Response: Retry the operation. If the error persists, contact IBM ADSM support and let them know how the error occurred.
-
- ACO4229E** **Unable to find system message.**
Explanation: An attempt was made to determine what the last system message was. This attempt failed.
System Action: Processing ends.
User Response: It is possible that the system dll is not current. Check and make certain that it is current.
-
- ACO4230E** **The start of the SQL server failed.**
Explanation: An attempt was made to start the SQL Server. This attempt failed.
System Action: Processing ends.
User Response: View the other messages for an indication as to the problem. Also, view the SQL Server Error Log as to an indication of what the problem may be.
-

ACO4231E	An incremental restore cannot be performed because the named database does not have a separate transaction log. Explanation: An incremental restore was requested however the database does not have a separate transaction log. System Action: Processing ends. User Response: Only a full restore is allowed for this particular database.
ACO5201E	Could not open file %1. Explanation: An attempt was made to open the file listed in the message. This attempt failed. System Action: Processing ends. User Response: Determine if this file exists. Be sure that there is enough room for this file if it is being created.
ACO5202E	There is a syntax error on line %1!d! of the options file: %2 Line Contents: %3 You will need to correct the error before continuing. Explanation: While reading the options file, it was discovered that there was a syntax error. This error is listed in the message. System Action: Processing ends. User Response: Update the options file with the correct syntax.
ACO5203E	Error reading file: %1. Processing will not continue. Explanation: There was an attempt to read the file listed in the message. This attempt failed. System Action: Processing ends. User Response: Determine if the file is read-only. Determine if the file still exists.

18

Tivoli Data Protection for Oracle (0500–0599)

-
- ANS0500E** **Oracle passed invalid mode**
Explanation: Invalid mode passed by Oracle.
System Action: The system returns to the calling procedure.
User Response: Contact your system administrator.
-
- ANS0501E** **Oracle passed null file name**
Explanation: Null filename passed by Oracle.
System Action: The system returns to the calling procedure.
User Response: Contact your system administrator.
-
- ANS0502E** **Wrong data block size**
Explanation: Wrong Block Size
System Action: The system returns to the calling procedure.
User Response: Contact your system administrator.
-
- ANS0503E** **Object exists**
Explanation: Backup or Restore Object already exists.
System Action: The system returns to the calling procedure.
User Response: If backing up an object, be sure to generate a unique object name.
-
- ANS0504E** **Not same Oracle handle**
Explanation: The handle passed from Oracle is not the same handle that TSM passed back.
System Action: The system returns to the calling procedure.
User Response: Contact your system administrator.
-

ANS0505E	End of file reached Explanation: End of file reached. System Action: The system returns to the calling procedure. User Response: None
ANS0506E	Wrong Read State Explanation: The operation must be in READ state. System Action: The system returns to the calling procedure. User Response: Contact your service representative.
ANS0507E	Runtime API version is outdated Explanation: Runtime API is lower than compile time API. System Action: The system returns to the calling procedure. User Response: Use the WHAT command to find out the compile time API level. Obtain the same or higher level of API library.
ANS0508E	Wrong write state Explanation: The operation must be in WRITE state. System Action: The system returns to the calling procedure. User Response: Contact your service representative.
ANS0509E	Invalid flag passed Explanation: Invalid flag passed from Oracle. System Action: The system returns to the calling procedure. User Response: Contact your system administrator.

V—Appendixes



Notices

This information was developed for products and services offered in the U.S.A.

IBM may not offer the products, services, or features discussed in this document in other countries. Consult your local IBM representative for information on the products and services currently available in your area. Any reference to an IBM product, program, or service is not intended to state or imply that only that IBM product, program, or service may be used. Any functionally equivalent product, program, or service that does not infringe any IBM intellectual property right may be used instead. However, it is the user's responsibility to evaluate and verify the operation of any non-IBM product, program, or service.

IBM may have patents or pending patent applications covering subject matter described in this document. The furnishing of this document does not give you any license to these patents. You can send license inquiries, in writing, to:

IBM Director of Licensing
IBM Corporation
North Castle Drive
Armonk, NY 10504-1785
U.S.A.

For license inquiries regarding double-byte (DBCS) information, contact the IBM Intellectual Property Department in your country or send inquiries, in writing, to:

IBM World Trade Asia Corporation
Licensing
2-31 Roppongi 3-chome, Minato-ku
Tokyo 106, Japan

The following paragraph does not apply to the United Kingdom or any other country where such provisions are inconsistent with local law: INTERNATIONAL BUSINESS MACHINES CORPORATION PROVIDES THIS PUBLICATION “AS IS” WITHOUT WARRANTY OF ANY KIND, EITHER EXPRESS OR IMPLIED, INCLUDING, BUT NOT LIMITED TO, THE IMPLIED WARRANTIES OF NON-INFRINGEMENT, MERCHANTABILITY OR FITNESS FOR A PARTICULAR PURPOSE. Some states do not allow disclaimer of express or implied warranties in certain transactions, therefore, this statement may not apply to you.

This information could include technical inaccuracies or typographical errors. Changes are periodically made to the information herein; these changes will be incorporated in new editions of the publication. IBM may make improvements and/or changes in the product(s) and/or the program(s) described in this publication at any time without notice.

Any references in this information to non-IBM Web sites are provided for convenience only and do not in any manner serve as an endorsement of those Web sites. The materials at those Web sites are not part of the materials for this IBM product and use of those Web sites is at your own risk.

IBM may use or distribute any of the information you supply in any way it believes appropriate without incurring any obligation to you.

Licensees of this program who wish to have information about it for the purpose of enabling: (i) the exchange of information between independently created programs and other programs (including this one) and (ii) the mutual use of the information which has been exchanged, should contact:

IBM Corporation
Information Enabling Requests

Dept. M13
5600 Cottle Road
San Jose CA 95193-0001
U.S.A.

Such information may be available, subject to appropriate terms and conditions, including in some cases, payment of a fee.

The licensed program described in this information and all licensed material available for it are provided by IBM under terms of the IBM Customer Agreement, IBM International Program License Agreement, or any equivalent agreement between us.

Information concerning non-IBM products was obtained from the suppliers of those products, their published announcements or other publicly available sources. IBM has not tested those products and cannot confirm the accuracy of performance, compatibility or any other claims related to non-IBM products. Questions on the capabilities of non-IBM products should be addressed to the suppliers of those products.

This information contains examples of data and reports used in daily business operations. To illustrate them as completely as possible, the examples include the names of individuals, companies, brands, and products. All of these names are fictitious and any similarity to the names and addresses used by an actual business enterprise is entirely coincidental.

If you are viewing this information softcopy, the photographs and color illustrations may not appear.

Programming Interface

This publication is intended to help the customer with the Tivoli Storage Manager messages.

This publication documents information that is not intended to be used as programming interfaces of the Tivoli Storage Manager.

Trademarks

The following terms are trademarks of the International Business Machines Corporation in the United States or other countries or both:

ACF/VTAM	ESCON
AD/Cycle	Extended Services
ADSTAR	IBM
Advanced Peer-to-Peer Networking	IBMLink
AIX	Library Reader
AIX/6000	MVS/ESA
Application System/400	MVS/SP
APPN	OpenEdition
AS/400	Operating System/2
AT	Operating System/400
BookManager	OS/2
Bookshelf	OS/390
C/370	OS/400
Common User Access	POWERparallel
CUA	Proprinter
DATABASE 2	RACF
DB2	RISC System/6000
DFDSM	RS/6000
DFSMS	SP
DFSMS/MVS	System/370
DFSMS/VM	System/390
DFSMSdss	SystemView
DFSMShsm	VM/ESA
DFSMSrmm	VTAM
ES/9000	XT

Lotus, Lotus 1–2–3, Lotus Approach, Lotus Domino and Lotus Notes are trademarks of Lotus Development Corporation in the United States and/or other countries.

AFS and DFS are trademarks of Transarc Corporation in the United States and/or other countries.

Tivoli and Tivoli ADSM are trademarks of Tivoli Systems Inc. in the United States and/or other countries.

Microsoft, Win32, Windows, Windows NT, and the Windows 95 logo are trademarks of Microsoft Corporation in the United States and/or other countries.

UNIX is a registered trademark in the United States and/or other countries licensed exclusively through X/Open Company Limited.

HP-UX is a trademark of Hewlett-Packard Company in the United States and/or other countries.

Solaris is a trademark of Sun Microsystems, Inc. in the United States and/or other countries.

Java and all Java-based trademarks and logos are trademarks of Sun Microsystems, Inc. in the United States and/or other countries.

Intel is a registered trademark of the Intel Corporation in the United States and/or other countries.

Other company, product, and service names may be trademarks or service marks of others.

B

Allocating Additional Server Memory

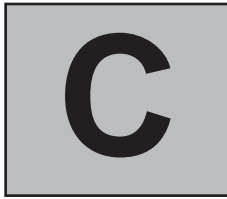
If the server is low on memory, the following actions can be taken to allocate additional storage resource for the server:

- For AIX, ensure that there is sufficient paging space. You may also use SMIT to determine if the number of applications is causing a memory shortage.
- For VM, increase the size of the server's virtual machine. This requires that the default storage size be updated in the server's CP directory entry.
- For MVS, increase the size of the REGION parameter on the JOB or EXEC statement of the JCL used to start the server.
A minimum size of 128M is recommended for TSM, but larger servers will require a larger region size.
- For Windows NT, the preferred method of solving a low memory condition is to add physical memory to the system. Otherwise, increase the amount of the system's virtual memory. This can be done from the NT control panel by running the System applet and increasing the total paging file size.
- For HP-UX, ensure that there is sufficient paging space and that a sufficient amount of shared memory is available. For information on shared memory, refer to the *Tivoli Storage Manager Quick Start*.

-
- For Sun Solaris, ensure that there is sufficient paging space. Consult your Sun Solaris system documentation for details.
 - For HP-UX and Sun Solaris, consider increasing the value of the MAXMEMORY option in the server options file and restart the server.

Reduce the maximum number of client sessions permitted. To do this, update the value of the MAXSESSIONS parameter in the server options file and restart the server.

Decrease the amount of space allocated to the server's database or log buffer pool. To do this, update the value of the BUFPOOLSIZE or LOGPOOLSIZE parameters in the server options file and restart the server. Note that each page causes an additional 4K page to be allocated for the specified buffer pool. Reducing the pool sizes requires more I/O to service the same amount of data; some performance degradation may result.



I/O Error Code Descriptions for Server Messages

This section contains code descriptions for possible I/O error messages from the TSM server for the AIX and Windows NT operating systems.

Code Description

- OP** I/O operation that failed. Some possible values displayed are:
- READ
 - WRITE
 - FSR (forward space record)
 - FSF (forward space file)
 - WEOF (write end of file mark)
 - A string of hex digits
- See “Operation Code Values for Tape Library Devices” on page 1397 for a list of operation codes.
- CC** I/O completion code. This value is returned by the device driver to the server when an error occurs. See “Completion Code and Operation Code Values” on page 1392 for a list of completion codes. Refer to the *IBM SCSI Tape Drive, Medium Changer, and Library Device Drivers: Installation and User’s Guide* for information on tape library system calls and error description for the library I/O control requests.
- KEY** Byte 2 of the sense bytes from the error. The following lists some definitions:

0 = no additional sense bytes available
1 = recovered error
2 = not ready
3 = medium error
4 = hardware error
5 = illegal request
6 = unit attention (for example, a SCSI bus reset)
7 = data protect
8 = blank check
9 = vendor specific
A = copy aborted
B = aborted command
C = equal compare on SEARCH DATA command
D = volume overflow
E = miscompare
F = reserved

ASC/ASCQ

Additional sense codes (ASC) and additional sense code qualifiers (ASCQ) are bytes 12 and 13 of the sense bytes. You should refer to the sense byte number along with the value for a complete description of the common values of the ASC and ASCQ codes. The drive or library reference manual provided with the device usually contain tables explaining the values of the KEY, ASC, and ASCQ fields. “Common Values for ASC and ASCQ Codes” on page 1398 also provides additional information on the common values of ASC and ASCQ.

Completion Code and Operation Code Values

This section lists the completion code values for the following:

- All device classes
- Media changers
- Tape and optical drives

This section lists the operation code values for tape library devices. See “Operation Code Values for Tape Library Devices” on page 1397 for a description of the operation codes.

Completion Code Values Common to All Device Classes

The following table shows the completion code values, in decimal and hexadecimal numbers, common to all device classes. It provides a description for the I/O error message and the recommended action. After performing the recommended action, retry the failing operation. If the failing operation is not successful, contact TSM support.

Table 2. Completion Code Values Common to All Device Classes

Decimal	Hexadecimal	Description	Recommended Action
200	X'C8'	The device indicated a failure condition, but sense data was unavailable.	Retry the failing operation.
201	X'C9'	Device driver failure	Contact TSM support.
202	X'CA'	The device EEPROM failed.	The device should be tested or serviced.
203	X'CB'	Manual intervention required	Correct the problem on the device. This may be a stuck tape, dirty heads or a jammed library arm.
204	X'CC'	Recovered from an I/O error; for your information only	No action necessary
205	X'CD'	SCSI adapter failure	Check for loose cables, bent pins, bad cables, bad SCSI adaptors, improper termination or bad terminators.
206	X'CE'	General SCSI failure	Check for loose cables, bent pins, bad cables, bad SCSI adaptors, improper termination or bad terminators.
207	X'CF'	Device is not in a state capable of performing request	Ensure the device is on and ready. Ensure the DEFINE DRIVE and DEFINE DEVCLASS have been issued properly.
208	X'D0'	Command aborted	Contact TSM support.

Table 2. Completion Code Values Common to All Device Classes (continued)

Decimal	Hexadecimal	Description	Recommended Action
209	X'D1'	Device microcode failure detected	Check the microcode level of the drive. Call the drives manufacturer and request latest level.
210	X'D2'	The device was reset due to device power-up, SCSI bus reset, or manual tape load/eject.	Retry the failing operation.
211	X'D3'	The SCSI bus was busy.	Ensure the SCSI ids are correctly assigned to the correct device, and the device is not being accessed by another process.

Completion Code Values for Media Changers

The following table shows the completion code values, in decimal and hexadecimal numbers, for the media changers. It provides a description for the I/O error message and the recommended action. After performing the recommended action, retry the failing operation. If the failing operation is not successful, contact TSM support.

Table 3. Completion Code Values for Media Changers

Decimal	Hexadecimal	Description	Recommended Action
300	X'12C'	Cartridge entry/exit error	Check the entry/exit ports for a jammed volume.
301	X'12D'	Cartridge load failure	Check the drive for jammed volumes. On AIX, display the errpt to check for hardware errors.
302	X'12E'	Cartridge in failed drive	Check the drive for jammed volumes. On AIX, display the errpt to check for hardware errors.
303	X'12F'	Carousel not loaded	Ensure the carousel is correctly in place and the door is shut.
304	X'130'	Changer failure	On AIX, display the errpt to check for hardware errors.

Table 3. Completion Code Values for Media Changers (continued)

Decimal	Hexadecimal	Description	Recommended Action
305	X'131'	Drive failure	Ensure the heads have been cleaned. On AIX, display the errpt to check for hardware errors.
306	X'132'	Drive or media failure	Ensure the heads have been cleaned. On AIX, display the errpt to check for hardware errors.
307	X'133'	Entry/exit failure	Contact TSM support.
308	X'134'	Entry/exit port not present	Contact TSM support.
309	X'135'	Library audit error	Ensure that there are no jammed volumes. It is possible that the library audit is failing due to hardware errors. On AIX, display the errpt to check for hardware errors.
310	X'136'	Library full	Check for jammed volumes. Ensure the volumes have not been rearranged. If the library is not actually full, perform an AUDIT LIBRARY.
311	X'137'	Media export	Contact TSM support.
312	X'138'	Slot failure	Ensure that nothing is jammed in the slot.
313	X'139'	Slot or media failure	Ensure the volume is not jammed in the slot and that the volumes have not been rearranged. If problem persists, perform an AUDIT LIBRARY.
314	X'13A'	The source slot or drive was empty in an attempt to move a volume.	Ensure the volumes have not been rearranged. If problem persists, perform an AUDIT LIBRARY.
315	X'13B'	The destination slot or drive was full in an attempt to move a volume.	Ensure the volumes have not been rearranged, or that a volume is not stuck in the drive. If problem persists, perform an AUDIT LIBRARY.

Table 3. Completion Code Values for Media Changers (continued)

Decimal	Hexadecimal	Description	Recommended Action
316	X'13C'	Cleaner cartridge installed	Contact TSM support.

Completion Code Values for Tape and Optical Drives

The following table shows the completion code values, in decimal and hexadecimal numbers, for tape and optical drives. It provides a description for the I/O error message and the recommended action. After performing the recommended action, retry the failing operation. If the failing operation is not successful, contact TSM support.

Table 4. Completion Code Values for Tape and Optical Drives

Decimal	Hexadecimal	Description	Recommended Action
400	X'190'	Physical end of media encountered	Ensure the heads are clean on the drive.
402	X'192'	Media corrupted	Ensure the heads are clean and the media is not physically damaged or too old.
403	X'193'	Media failure.	Ensure the heads are clean and the media is not physically damaged or too old.
404	X'194'	Media incompatibility	Ensure the correct length and type of media is being used.
406	X'196'	Sector requested is invalid.	Internal server error Contact TSM support.
407	X'197'	Write protect	Ensure the volume is not write protected.
408	X'198'	Clean the media and the drive.	Clean the drive heads with a cleaning cartridge that is not too old.
409	X'199'	Media fault	Clean the heads and ensure the media is not physically damaged or too old.
410	X'19A'	Cleaning complete	Retry the failing operation.

Table 4. Completion Code Values for Tape and Optical Drives (continued)

Decimal	Hexadecimal	Description	Recommended Action
412	X'19C'	Media not present in drive	Ensure the media is correctly positioned in the drive. If problem persists, perform an AUDIT LIBRARY.
414	X'19E'	Erase failure	Clean the drive heads.
415	X'19F'	Attempted to overwrite written WORM media	Internal server error Contact TSM support.
416	X'1A0'	An incorrect length block was read.	Ensure the heads are clean. On AIX, display the errpt to check for hardware errors.
417	X'1A1'	Open read only	Contact TSM support.
418	X'1A2'	Open write only	Contact TSM support.
419	X'1A2'	Media scan failed	Clean the drive and media.

Operation Code Values for Tape Library Devices

The following table shows the operation code values for tape library devices. The table provides the two least significant bytes of the operation code. Refer to the Tape Library System Calls chapter in the *IBM SCSI Tape Drive, Medium Changer, and Library Device Drivers: Installation and User's Guide* for detailed information on operation codes.

Table 5. Operation Code Values for Tape Library Devices

Hexadecimal	Name	Description
X'6D31'	MTIOCLM	Mount a volume on a specified drive.
X'6D32'	MTIOCLDM	Demount a volume on a specified drive.
X'6D34'	MTIOCLSVC	Change the category of a specified volume.
X'6D37'	MTIOCLQ	Return information about the tape library and its contents.
X'6D38'	MTIOCLQMID	Query the status of the operation for a given message ID.

Table 5. Operation Code Values for Tape Library Devices (continued)

Hexadecimal	Name	Description
X'6D38'	MTIOCLQ MID	Query the status of the operation for a given message ID.
X'6D39'	MTIOCLSDC	Assign a category to the automatic cartridge loader for a specified device.

Common Values for ASC and ASCQ Codes

This section provides descriptions for common values of the ASC and ASCQ codes, which are bytes 12 and 13 for SCSI-2 devices. For Windows NT, these codes also appear in the Event Log. See “Windows NT Event Log Entries” on page 1402.

See server message **ANR8300E** or **ANR8302E** for the recommended action.

The following table provides descriptions for common values of the ASC and ASCQ codes. Each value has a prefix of 0x, which indicates that it is a hexadecimal constant.

Table 6. Common Values for ASC and ASCQ Codes

ASC	ASCQ	Description
0x00	0x00	No additional sense
0x00	0x01	Filemark detected
0x00	0x02	End-of-medium detected
0x00	0x03	Setmark detected
0x00	0x04	Beginning of medium
0x00	0x05	End of data
0x00	0x06	I/O process terminated
0x02	0x00	No seek complete
0x03	0x00	Device write fault
0x03	0x01	No write current
0x03	0x02	Excessive write errors
0x04	0x00	Logical unit not ready

Table 6. Common Values for ASC and ASCQ Codes (continued)

ASC	ASCQ	Description
0x04	0x01	Becoming ready
0x04	0x02	Not ready, initializing command required
0x04	0x03	Not ready, manual intervention required
0x04	0x04	Not ready, formatting
0x05	0x00	No response to select
0x06	0x00	No reference position found
0x07	0x00	Multiple devices selected
0x08	0x00	Communication failure
0x08	0x01	Communication timeout
0x08	0x02	Communication parity error
0x09	0x00	Track following error
0x0A	0x00	Error log overflow
0x0C	0x00	Write error
0x11	0x00	Unrecovered read error
0x11	0x01	Read retries exhausted
0x11	0x02	Error too long to correct
0x11	0x03	Multiple read errors
0x11	0x08	Incomplete block read
0x11	0x09	No gap found
0x11	0x0A	Miscorrected error
0x14	0x00	Recorded entity not found
0x14	0x01	Record not found
0x14	0x02	Filemark/setmark not found
0x14	0x03	End-of-data not found
0x14	0x04	Block sequence error
0x15	0x00	Random positioning error
0x15	0x01	Mechanical positioning error
0x15	0x02	Read positioning error
0x17	0x00	No error correction applied
0x17	0x01	Recovered with retries

Table 6. Common Values for ASC and ASCQ Codes (continued)

ASC	ASCQ	Description
0x17	0x02	Recovered with positive head offset
0x17	0x03	Recovered with negative head offset
0x18	0x00	ECC applied
0x1A	0x00	Parameter list length error
0x1B	0x00	Synchronous data transfer error
0x20	0x00	Invalid operation code
0x21	0x00	Block out of range
0x21	0x01	Invalid element address
0x24	0x00	Invalid field in CDB
0x25	0x00	LUN not supported
0x26	00	Invalid field in parameter list
0x26	0x01	Parameter not supported
0x26	0x02	Parameter value invalid
0x26	0x03	Threshold parameters not supported
0x27	0x00	Write protected
0x28	0x00	Not-ready to ready
0x28	0x01	Import/export element accessed
0x29	0x00	Power-on, reset, bus reset
0x2A	0x00	Parameters changed
0x2A	0x01	Mode parameters changed
0x2A	0x02	Log parameters changed
0x2B	0x00	Copy cannot execute
0x2C	0x00	Command sequence error
0x2D	0x00	Overwrite error on update
0x2F	0x00	Command cleared by initiator
0x30	0x00	Incompatible media
0x30	0x01	Media unknown format
0x30	0x02	Media incompatible format
0x30	0x03	Cleaning cartridge installed
0x31	0x00	Media format corrupted

Table 6. Common Values for ASC and ASCQ Codes (continued)

ASC	ASCQ	Description
0x33	0x00	Tape length error
0x37	0x00	Rounded parameter
0x39	0x00	Saving parameters not supported
0x3A	0x00	Medium not present
0x3B	0x00	Sequential positioning error
0x3B	0x01	Positioning error at BOT
0x3B	0x02	Positioning error at EOT
0x3B	0x08	Reposition error
0x3B	0x0D	Medium destination element full
0x3B	0x0E	Medium source element empty
0x3D	0x00	Invalid bits in message
0x3E	0x00	LUN not self-configured
0x3F	0x00	Operating conditions changed
0x3F	0x01	Microcode has been changed
0x3F	0x02	Changed operating definition
0x3F	0x03	Inquiry data has changed
0x43	0x00	Message error
0x44	0x00	Internal target failure
0x45	0x00	Select/reselect failure
0x46	0x00	Unsuccessful soft reset
0x47	0x00	SCSI parity error
0x48	0x00	Initiator detected message received
0x49	0x00	Invalid message error
0x4A	0x00	Command phase error
0x4B	0x00	Data phase error
0x4C	0x00	LUN failed self-configuration
0x4E	0x00	Overlapped commands attempt
0x50	0x00	Write append error
0x50	0x01	Write append position error
0x50	0x02	Position error (timing)

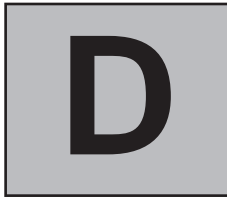
Table 6. Common Values for ASC and ASCQ Codes (continued)

ASC	ASCQ	Description
0x51	0x00	Erase failure
0x52	0x00	Cartridge fault
0x53	0x00	Load/media eject failed
0x53	0x01	Unload tape failure
0x53	0x02	Media removal prevented
0x5A	0x00	Operator state changed
0x5A	0x01	Operator media removal
0x5A	0x02	Operator write protect
0x5A	0x03	Operator write permit
0x5B	0x00	Log exception
0x5B	0x01	Threshold condition met
0x5B	0x02	Log counter at maximum
0x5B	0x03	Log list codes exhausted

Windows NT Event Log Entries

The code values will appear as hexadecimal values in the Data area of the Windows NT Event Log. The Event Log omits the 0x prefix for the displayed information.

In the NT Event Log, the entries with source AdsmScsi are produced by the AdsmScsi device driver. In these entries, byte 44 is the sense key, byte 43 is the ASC, and byte 42 is the ASCQ. (This is also true of entries logged by any of the NT tape device drivers.) If byte 44 is 'ef', the error logged is not a check condition error. Examples of such errors are command timeouts or device selection errors.



Device Errors in AIX System Error Log

TSM logs certain device errors in the AIX system error log. This section provides a brief description of the device error. It also provides the detail data and a description of the data. For a detailed description of the AIX error logging facility and of the information contained within an error report, refer to *AIX Version 4 Problem Solving Guide and Reference*.

DEVICE ERROR and ERROR DESCRIPTION

ADSM_DD_LOG1 (0xAC3AB953)

DEVICE DRIVER SOFTWARE ERROR

This error is logged by the ADSM device driver when a problem is suspected in the ADSM device driver software. For example, if the ADSM device driver issues a SCSI I/O command with an illegal operation code the command fails and the error is logged with this identifier. Report this error immediately to ADSM support personnel.

Detail Data: Sense Data

The sense data consists of information that can determine the cause of the error. All data in the error entry should be reported to ADSM support personnel.

ADSM_DD_LOG2 (0x5680E405)

HARDWARE/COMMAND-ABORTED ERROR

This error is logged by the ADSM device driver when the device reports a particular hardware error or command-aborted error in response to a SCSI I/O command.

Detail Data: Sense Data

The sense data consists of information that can determine the exact cause of the error; in this case, which hardware component failed and why. To interpret the sense data for a particular device, refer to the device's SCSI specification manual.

ADSM_DD_LOG3 (0x461B41DE)

MEDIA ERROR

This error is logged by the ADSM device driver when a SCSI I/O command fails because of corrupted or incompatible media, or because a drive requires cleaning.

Detail Data: Sense Data

The sense data consists of information that can determine the exact cause of the error. To interpret the sense data for a particular device, refer to the device's SCSI specification manual.

ADSM_DD_LOG4 (0x4225DB66)

TARGET DEVICE GOT UNIT ATTENTION

This error is logged by the ADSM device driver after receiving certain UNIT ATTENTION notifications from a device. UNIT ATTENTIONs are informational and usually indicate that some state of the device has changed. For example, this error would be logged if the door of a library device was opened and then closed again. Logging this event indicates that the activity occurred and that the library inventory may have been changed.

Detail Data: Sense Data

The sense data consists of information that describes the reason for the UNIT ATTENTION. To interpret the sense data for a particular device, refer to the device's SCSI specification manual.

ADSM_DD_LOG5 (0xDAC55CE5)**PERMANENT UNKNOWN ERROR**

This error is logged by the ADSM device driver after receiving an unknown error from a device in response to a SCSI I/O command. If the error persists, report it to ADSM support personnel.

Detail Data: Sense Data

The sense data consists of information that can determine the cause of the error. All data in the error entry should be reported to ADSM support personnel.



Checklist for Contacting your Service Representative

You should have the following information available when you contact your service representative for assistance. The problem call may be forwarded to the Tivoli Storage Manager Level 2 support group if the service representative cannot immediately resolve the problem. Therefore, keep the information available for possible future reference and as an aid in resolving the problem.

1. Customer number
2. Name of TSM product (for example, TSM for AIX)
3. Platform, version, and release number of the TSM *server's operating system*
4. Version, release, modification, and service level number of the TSM *server*. You can obtain this information by typing **QUERY STATUS** from the TSM server console or administrative client.
5. Platform, version, and release number of the TSM *client's operating system*
6. Processor number such as type, model, and serial
7. Component identification keyword
8. Release level
9. Current TSM service level (latest PTFs that have been applied)

-
10. A brief description of the problem which includes the type of failure, abend codes, exception codes, message numbers and text, and routine names
 11. Version of the operating system you are running
 12. Name of the communication protocol, version and release number your installation is using
 13. System console log from around the time the problem occurred
 14. Dump information
 15. Activity log information
 16. Command text as entered
 17. Graphical user interface processing selections
 18. Client error log (DSMERROR.LOG)
 19. Messages in question
 20. For a documentation failure, the location of the error in the manual and a description of the problem it caused. Have the publication title and order number at hand.

Glossary

The terms in this glossary are defined as they pertain to the Tivoli Storage Manager library. If you do not find the term you need, refer to the IBM Software Glossary on the Web at this URL: www.networking.ibm.com/nsg/nsgmain. You can also refer to *IBM Dictionary of Computing*, New York: McGraw-Hill, 1994.

This glossary may include terms and definitions from:

- The *American National Standard Dictionary for Information Systems*, ANSI X3.172-1990, copyright (ANSI). Copies may be purchased from the American National Standards Institute, 11 West 42nd Street, New York 10036.
- The *Information Technology Vocabulary*, developed by Subcommittee 1, Joint Technical Committee 1, of the International Organization for Standardization and the International Electrotechnical Commission (ISO/IEC JTC2/SC1).

A

absolute

A value for the backup copy group mode indicating that a file is considered for incremental backup even if the file has not changed since the last backup. See also *mode*. Contrast with *modified*.

access mode

An attribute of a storage pool or a storage volume attribute that specifies whether TSM can write to or read from the storage pool or storage volume. The access mode can be read/write, read-only, or unavailable. Volumes in primary storage pools can also have an access mode of destroyed. Volumes in copy storage pools can also have an access mode of offsite.

accounting facility

A facility that records statistics about client session activity.

accounting records

Files that record session resource usage at the end of each client session.

activate

The process of validating the contents of a policy set and copying the policy set to the ACTIVE policy set.

active policy set

The policy set that contains the policy rules currently in use by all client nodes assigned to the policy domain. The active policy set is the policy set that was most recently activated for the policy domain. See *policy set*.

active version

The most recent backup copy of a file stored by TSM. Such a file is not eligible for deletion until a backup process detects that the user has either replaced the file with a newer version, or has deleted the file from the workstation. Contrast with *inactive version*.

activity log

A log that records normal activity messages generated by the server. These messages include information about server and client operations, such as the start time of sessions or device I/O errors. Each message includes a message ID, date and time stamp, and a text description. The number of days to retain messages in the activity log can be specified.

administrative client

A program that runs on a file server, workstation, or mainframe that allows administrators to control and monitor the server through administrator commands. Contrast with *backup-archive client*.

administrative command schedule

A database record that describes the planned processing of an administrative command during a specific time period. See also *client schedule*.

administrative privilege class

A level of authority granted to an administrator of TSM. The privilege class determines which TSM administrative tasks the administrator can perform. For example, an administrator with system privilege class can perform any administrative task. See *system privilege class*, *policy privilege class*, *storage privilege class*, *operator privilege class*, and *analyst privilege class*.

administrative session

A period of time in which an administrator user ID communicates with a server to perform administrative tasks. Contrast with *client node session*.

administrator

A user who has been registered to the server. Administrators can be authorized to one or more of the following administrative privilege classes: system, policy, storage, operator, or analyst. Administrators can use the administrative commands and queries allowed by their privileges.

Advanced Interactive Executive (AIX)

An operating system used in the RISC System/6000[®] computers. The AIX operating system is the IBM implementation of the UNIX[®] operating system.

Advanced Peer-to-Peer Networking® (APPN®)

An extension to the LU6.2 peer orientation for end-user services. See *SNA LU6.2* and *Systems Network Architecture*.

Advanced Program-to-Program Communication (APPC)

An implementation of the SNA/SDLC LU6.2 protocol that allows interconnected systems to communicate and share the processing of programs. See *SNA LU6.2*, *Systems Network Architecture*, and *Common Programming Interface Communications*.

AFS

Andrew file system.

aggregate file

A file, stored in one or more storage pools, consisting of a group of logical files packaged together. See *logical file* and *physical file*.

AIX

Advanced Interactive Executive.

analyst privilege class

An administrative privilege class that allows an administrator to reset statistics.

Andrew file system (AFS)

A distributed file system developed for UNIX operating systems.

API

Application program interface.

APPC

Advanced Program-to-Program Communication.

application client

One of the Tivoli Data Protection for application programs installed on a system. The Tivoli Storage Manager server provides backup services to these clients.

APPN

Advanced Peer-to-Peer Networking.

archive

A function that allows users to copy one or more files to a storage pool for long-term storage. Archive copies may be accompanied by descriptive information and may be retrieved by archive date, by file name, or by description. Contrast with *retrieve*.

archive copy

A user file that has been archived to a TSM storage pool.

archive copy group

A policy object containing attributes that control the generation, destination, and expiration of archive files. An archive copy group belongs to a management class.

archive retention grace period

The number of days that TSM retains an archive copy when the server is unable to rebind the file to an appropriate management class.

AS/400

Application System/400®.

assigned capacity

The portion of available space that can be used to store database or recovery log information. See also *available space*.

association

(1) The defined relationship between a client node and a client schedule. An association identifies the name of a schedule, the name of the policy domain to which the schedule belongs, and the name of a client node that performs scheduled operations. (2) On a configuration manager, the defined relationship between a profile and an object such as a policy domain. Profile associations define the configuration information that will be distributed to managed servers when they subscribe to the profile.

audit

The process of checking for logical inconsistencies between information that the server has and the actual condition of the system. TSM has processes for auditing volumes, the database, libraries, and licenses. For example, in auditing a volume TSM checks for inconsistencies between information about backed up or archived files stored in the database and actual data associated with each backup version or archive copy in server storage.

authentication

The process of checking a user's password before allowing that user access to the server. Authentication can be turned on or off by an administrator with system privilege.

authority

The right granted to a user to perform tasks with TSM servers and clients. See *administrative privilege class*.

autochanger

A small multislotted tape device that has a mechanism that automatically puts tape cartridges into the tape drive or drives. Also called *medium* or *media changer*, or a *library*.

availability management

Managing recovery from relatively common computer system outages such as a disk drive head crash. Recovery is often accomplished by using disk mirroring and other forms of RAID technology, or by maintaining onsite backup copies of data.

available space

The amount of space, in megabytes, that is available to the database and recovery log. This space can be used to extend the capacity of the database or recovery log, or to provide sufficient free space before a volume is deleted from the database or recovery log.

awk

In AIX, a pattern-matching program for processing text files. With the DRM product, you can use an awk script to break up the disaster recovery plan file into usable parts.

B**background process**

A server process that runs in the background, allowing the administrative session to be used for other work.

backup

The process of copying information for safekeeping. TSM has processes for backing up user files, the TSM database, and storage pools. For example, users can back up one or more files to a storage pool to ensure against loss of data. Contrast with *restore*. See also *database backup series* and *incremental backup*.

backup-archive client

A program that runs on a workstation or file server and provides a means for users to back up, archive, restore, and retrieve files. Contrast with *administrative client*.

backup copy

A user file that has been backed up to a TSM storage pool.

backup copy group

A policy object containing attributes that control the generation, destination, and expiration of backup files. A backup copy group belongs to a management class.

backup retention grace period

The number of days that TSM retains a backup version after the server is unable to rebind the file to an appropriate management class.

backup series

See *database backup series*.

backup set

A portable, consolidated group of active backup files for a single client. Generation of a backup set is possible for selected backup-archive clients that obtain services from a server at the latest software level.

backup version

A file, directory, or file space that a user has backed up, which resides in TSM server storage. There may be more than one backup version of a file in the storage pool, but at most only one is an active backup version. See *active version* and *inactive version*.

binding

The process of associating a file with a management class name. See *rebinding*.

boot media

Media that contains operating system and other files essential to running a workstation or server.

buffer

Storage used to compensate for differences in the data rate flow, when transferring data from one device to another.

buffer pool

Temporary space used by the server to hold database or recovery log pages. See *database buffer pool* and *recovery log buffer pool*.

C

cache

The process of leaving a duplicate copy on random access media when the server migrates a file to another storage pool in the hierarchy.

CARTRIDGE

On TSM servers that support it, a device class that is used to categorize tape devices that support tape cartridges, such as the 3490 Magnetic Tape Subsystem.

cartridge system tape (CST)

The base tape cartridge media used with 3480 or 3490 Magnetic Tape Subsystems. When specified as a media type in TSM, CST identifies standard length tape. Contrast with *enhanced capacity cartridge system tape*.

central scheduler

A function that allows an administrator to schedule client operations and administrative commands. The operations can be scheduled to occur periodically or on a specific date. See *client schedule* and *administrative command schedule*.

CID

Configuration Installation and Distribution.

client

A program running on a PC, workstation, file server, LAN server, or mainframe that requests services of another program, called the server. The following types of clients can obtain services from a TSM server: administrative client, application client, API client, backup-archive client, HSM client (also known as space manager client), and host server.

Client Access™/400®

A software product that supports advanced program-to-program communications (APPC) in the DOS, OS/2®, and Microsoft Windows® environments and provides a set of end user services.

client domain

The set of drives, file systems, or volumes selected by a backup-archive client user during a backup or archive operation.

client migration

The process of copying a file from a client node to TSM storage and replacing the file with a stub file on the client node. The process is controlled by the user and by space management attributes in the management class. See also *space management*.

client node

A file server or workstation on which the backup-archive client program has been installed, which has been registered to the server.

client node session

A period of time in which a user communicates with a server to perform backup, restore, archive, retrieve, migrate, or recall requests. Contrast with *administrative session*.

client options file

A file that a client can change, containing a set of processing options that identify the server, communication method, and options for backup, archive, hierarchical storage management, and scheduling. Also called the *dsm.opt* file.

client polling scheduling mode

A client/server communication technique where the client queries the server for work.

client schedule

A database record that describes the planned processing of a client operation during a specific time period. The client operation can be a backup, archive, restore, or retrieve operation, a client operating system command, or a macro. See also *administrative command schedule*.

client/server

A system architecture in which one or more programs (clients) request computing or data services from another program (server).

client system options file

A file, used on UNIX clients, containing a set of processing options that identify the TSM servers to be contacted for services. This file also specifies communication methods and options for backup, archive, hierarchical storage management, and scheduling. Also called the *dsm.sys* file. See also *client user options file*.

client user options file

A user-created file, used on UNIX clients, containing a set of processing options that identify the server, communication method, backup and archive options, space management options, and scheduling options. Also called the *dsm.opt* file. See also *client system options file*.

closed registration

A registration process in which an administrator must register workstations as client nodes with the server. Contrast with *open registration*.

collocation

A process that attempts to keep all data belonging to a single client node or a single client file space on a minimal number of sequential access media volumes within a storage pool. Collocation can reduce the number of volumes that must be accessed when a large amount of data must be restored.

commit

To make changes permanent in the database. Changes made to the database files are not permanent until they are committed.

Common Programming Interface Communications (CPI-C)

A programming interface that allows program-to-program communication using SNA LU6.2. See also *Systems Network Architecture*.

Common User Access[®] (CUA[®])

Guidelines for the dialog between a human and a workstation or terminal. One of the three Systems Application Architecture areas.

communication manager

A component of OS/2 that allows a workstation to connect to a host computer and use the host resources as well as the resources of other personal computers to which the workstation is attached, either directly or through a host.

communication method

The method used by a client and server for exchanging information.

communication protocol

A set of defined interfaces that allow computers to communicate with each other.

compression

The process of saving storage space by eliminating empty fields or unnecessary data in a file. In TSM, compression can occur at a workstation before files are backed up or archived to server storage. On some types of tape drives, hardware compression can be used.

Configuration Installation and Distribution (CID)

The term used to describe the capability of IBM products for automated installation. CID-enabled products are capable of unattended, remote installation.

configuration manager

One TSM server that distributes configuration information to other TSM servers (called managed servers) via profiles. Configuration information can include policy and schedules. See *managed server* and *profile*.

copy group

A policy object that contains attributes that control the generation, destination, and expiration of backup and archive files. There are two kinds of copy groups: backup and archive. Copy groups belong to management classes. See also *frequency*, *destination*, *mode*, *serialization*, *retention*, and *version*.

copy status

The status of volume copies defined to the database or recovery log. The copy status can be synchronized, stale, off-line, or undefined.

copy storage pool

A named set of volumes that contains copies of files that reside in primary storage pools. Copy storage pools are used only to back up the data stored in primary storage pools. A copy storage pool cannot be a destination for a backup copy group, an archive copy group, or a management class (for space-managed files). See *primary storage pool* and *destination*.

CPI-C

Common Programming Interface Communications.

CST

Cartridge system tape.

CUA

Common User Access.

D**daemon**

In the AIX operating system, a program that runs unattended to perform a standard service. Some daemons are triggered automatically to perform their tasks; others operate periodically.

daemon process

In the AIX operating system, a process begun by the root user or by the root shell that can be stopped only by the root user. Daemon processes generally provide services that must be available at all times, such as sending data to a printer.

damaged file

A physical file for which TSM has detected read errors.

DASD

Direct access storage device.

database

A collection of information about all objects managed by the server, including policy management objects, users and administrators, and client nodes.

database audit

A utility that checks for and optionally corrects inconsistent database references.

database backup series

One full backup of the database, plus up to 32 incremental backups made since that full backup. Each full backup that is run starts a new database backup series. A backup series is identified with a number.

database backup trigger

A set of criteria that defines when and how database backups are run automatically. The criteria determine how often the backup is run, whether the backup is a full or incremental backup, and where the backup is stored.

database buffer pool

Storage that is used as a cache to allow database pages to remain in memory for long periods of time, so that the server can make continuous updates to pages without requiring input or output (I/O) operations from external storage.

database dump

The action performed by the DSMSEV DUMPDB utility (DMPADSM command on AS/400), which copies TSM database entries to media for later reload in case a catastrophic error occurs.

database load

The action performed by the DSMSEV LOADDDB utility (LODADSM command on AS/400), which copies TSM database entries from media to a newly installed database.

database snapshot

A function of TSM that backs up the entire TSM database to media that can be taken off-site. The database snapshot does not interrupt any database backup series and cannot have incremental database backups associated with it. Contrast with *full backup*.

database volume

A volume that has been assigned to the TSM database.

dataserver

See *Tape Library Dataserver*.

data set

See *linear data set*.

DDM

Distributed Data Management.

default management class

A management class assigned to a policy set, which is used to govern backed up or archived files when a user does not specify a management class for a file.

deletion exit

For MVS or VM, an installation-wide exit that informs a tape management system or operator that the server has deleted a sequential access media volume from its database.

delimiter

(1) A character used to indicate the beginning and end of a character string. (2) A character that groups or separates words or values in a line of input.

desktop client

The group of backup-archive clients supported by TSM that includes clients on OS/2, DOS, Windows, Apple, and Novell NetWare operating systems.

destination

A copy group or management class attribute that specifies the primary storage pool to which a client file will be backed up, archived, or migrated.

device class

A named group of storage devices with common characteristics. Each device class has a unique name and represents a device type of disk, file, optical disk, or tape.

device configuration file

A file that contains information about defined device classes, and, on some TSM servers, defined libraries and drives. The file can be created by using a TSM command or by using an option in the server options file. The information is a copy of the device configuration information in the TSM database.

device driver

A collection of subroutines that control the interface between I/O device adapters and the processor.

device type

A category of storage device. Each device class is categorized with one of the supported device types, for example, DISK or CARTRIDGE.

direct access storage device (DASD)

A device in which access time is effectively independent of the location of the data.

disaster recovery

Recovery from catastrophic interruptions of computer systems, such as loss of the system location because of natural events. Backup data is kept offsite to protect against such catastrophes.

Disaster Recovery Manager

See *Tivoli Disaster Recovery Manager*.

disaster recovery plan

A document that contains information about how to recover computer systems if a disaster occurs. The Tivoli Disaster Recovery Manager (DRM) product allows you to create the plan for a TSM server. The plan is a file that contains information about the software and hardware used by the TSM server, and the location of recovery media.

DISK

A device class that is defined by TSM at installation. It is used to categorize disk drives, such as internal disk drives or 3390 DASD.

disk operating system (DOS)

An operating system used in IBM PC, PS/2, and compatible computers.

Distributed Data Management (DDM)

A feature of the System Support Program Product that allows an application program (client) to use server program functions to work on files that reside in a remote system.

DLL

Dynamic link library.

DLT

Digital linear tape.

domain

See *policy domain* or *client domain*.

DOS

Disk operating system.

drive

A device used to read and write data on a medium such as a magnetic disk, optical disk, or tape.

DRM

A short name for Tivoli Disaster Recovery Manager.

dsm.opt file

See *client options file* and *client user options file*.

dsm.serv.opt

See *server options file*.

dsm.sys file

See *client system options file*.

dynamic

A copy group serialization value that specifies that TSM accepts the first attempt to back up or archive a file regardless of whether the file is modified during the backup or archive process. See also *serialization*. Contrast with *shared dynamic*, *shared static*, and *static*.

dynamic link library

A file containing executable code and data bound to a program at load time or run time, rather than during linking. The code and data in a dynamic link library can be shared by several applications simultaneously.

E**ECCST**

Enhanced capacity cartridge system tape.

enhanced capacity cartridge system tape (ECCST)

Cartridge system tape with increased capacity that can only be used with 3490E tape subsystems. Contrast with *cartridge system tape*.

enterprise configuration

A capability that allows the administrator to distribute the configuration of one TSM server to other servers using server-to-server communication. See *configuration manager*, *managed server*, *profile*, and *subscription*.

enterprise logging

The sending of events from TSM servers to a designated event server. The event server routes the events to designated receivers, such as to a user exit. See also *event*.

error log

A character file written on random access media that contains information about errors detected by the server or client.

estimated capacity

The available space, in megabytes, of a storage pool.

Ethernet

A data link protocol and LAN that interconnects personal computers and workstations via coaxial cable.

event

(1) An administrative command or a client operation that is scheduled to be run using TSM scheduling. (2) A message that a TSM server or client issues. Messages can be logged using TSM event logging.

event record

A database record that describes actual status and results for events.

event server

A server to which other servers can send events for logging. The event server routes the events to any receivers that are enabled for the sending server's events.

exclude

The process of identifying files or directories in an include-exclude list to prevent these objects from being backed up whenever a user or schedule issues an incremental or selective backup operation, or to prevent these objects from being migrated off the client node via Tivoli Space Manager space management.

exclude-include list

See *include-exclude list*.

exit

To execute an instruction within a portion of a computer program in order to terminate the execution of that portion.

exit machine

On a VM server, a virtual machine that runs the mount and deletion installation-wide exits on VM systems.

expiration

The process by which files are identified for deletion because their expiration date or retention period has passed. Backed up or archived files are marked expired by TSM based on the criteria defined in the backup or archive copy group.

expiration date

On MVS, VM, and VSE servers, a device class attribute used to notify tape management systems of the date when TSM no longer needs a tape volume. The

date is placed in the tape label so that the tape management system does not overwrite the information on the tape volume before the expiration date.

export

The process of copying administrator definitions, client node definitions, policy definitions, server control information or file data to external media.

export/import facility

See *import/export facility*.

extend

The process of increasing the portion of available space that can be used to store database or recovery log information. Contrast with *reduce*.

F

file record extent

The extent of the file enumerated in number of records.

file space

A logical space in a client's storage that can contain a group of files. For clients on systems such as OS/2, a file space is a logical partition and is identified by a volume label. For clients on systems such as AIX and UNIX, a file space can consist of any subset of directories and subdirectories stemming from a virtual mount point. Clients can restore, retrieve, or delete their file spaces from TSM server storage. TSM does not necessarily store all the files from a single file space together, but can identify all the files in server storage that came from a single file space.

File Transfer Protocol (FTP)

In TCP/IP, the protocol that makes it possible to transfer data among hosts and to use foreign hosts indirectly.

format

A device class attribute that specifies the recording format used to read or write to sequential access media such as tape.

frequency

A copy group attribute that specifies the minimum interval, in days, between incremental backups.

FTP

File Transfer Protocol.

full backup

A function of TSM that copies the entire database. A full backup begins a new database backup series. Contrast with *incremental backup* and *database snapshot*. See *database backup series*.

fuzzy copy

A backup version or archive copy of a file that might not accurately reflect what is currently in the file because TSM backed up or archived the file while the file was being modified.

G**GUI**

Graphical user interface.

H**HDA**

Head-disk assembly.

head-disk assembly (HDA)

A field replaceable unit in a direct access storage device containing the disks and actuators.

hierarchical storage management (HSM) client

The Tivoli Space Manager program that runs on workstations to allow users to maintain free space on their workstations by migrating and recalling files to and from Tivoli Storage Manager storage. Synonymous with *space manager client*.

high migration threshold

A percentage of the storage pool capacity that identifies when TSM can start migrating files to the next available storage pool in the hierarchy. Contrast with *low migration threshold*. See *server migration*.

host server

The name for the system on which the Tivoli Data Protection for Workgroups program runs. The host server obtains scheduling services from Tivoli Storage Manager.

HP-UX

Hewlett-Packard UNIX operating system.

HSM client

Hierarchical storage management client. Also known as the space manager client.

import

The process of copying exported administrator definitions, client node definitions, policy definitions, server control information or file data from external media to a target server.

import/export facility

The facility that allows system administrators to copy definitions and file data from a source server to external media to move or copy information between servers. A subset of information can be imported to a target server from the external media.

inactive version

A backup version of a file for which a more recently backed-up version exists. Inactive backup versions are eligible for expiration processing according to the management class assigned to the file. Contrast with *active version*.

include-exclude file

On UNIX clients, a file containing statements that TSM uses to determine whether to back up or migrate certain files, and to determine the associated management classes to use for backup, archive, and space management. See *include-exclude list*.

include-exclude list

A group of include and exclude option statements in a file. TSM uses the statements to determine whether to back up or migrate certain files, and to determine the associated management classes to use for backup, archive, and space management. The exclude options identify files that should not be backed up or migrated off the client node. The include options identify files that are exempt from the exclusion rules, or assign a management class to a file or group of files for backup, archive, or space management services. The include-exclude list is defined either in the include-exclude file (for UNIX clients) or in the client options file (for other clients).

incremental backup

(1) A function that allows users to back up files or directories that are new or have changed since the last incremental backup. With this function, users can back up files or directories from a client domain that are not excluded in the include-exclude list and that meet the requirements for frequency, mode, and serialization as defined in the backup copy group of the management class assigned to the files. Contrast with *selective backup*. (2) A function of TSM that copies only the pages in the database that are new or changed since the last full or incremental backup of the database. Contrast with *full backup*. See *database backup series*.

internal mounting facility

On a VM server, a VM facility that allows the server to request tape mounts by sending a message to a mount operator. The message is repeated until the tape is mounted or until the mount wait time is exceeded.

inter-user communication vehicle (IUCV) facility

On a VM server, a VM communication method used to pass data between virtual machines and VM components.

IPX/SPX

Internetwork Packet Exchange/Sequenced Packet Exchange. IPX/SPX is Novell NetWare's communication protocol.

IUCV

Inter-user communication vehicle.

K

KB

Kilobyte.

kernel

The part of an operating system that performs basic functions such as allocating hardware resources.

kernel extension

A program that modifies parts of the kernel that can be customized to provide additional services and calls. See *kernel*.

kilobyte (KB)

1024 bytes.

L

LAN

Local area network.

length

A device class attribute that specifies the length of cartridge tape by specifying one of the following media types: CST for standard length tape or ECCST for double length tape.

library

(1) A repository for demountable recorded media, such as magnetic tapes. (2) For TSM, a collection of one or more drives, and possibly robotic devices (depending on the library type), which can be used to access storage volumes. (3) In the AS/400 system, a system object that serves as a directory to other objects. A library groups related objects, and allows the user to find objects by name.

linear data set

A type of MVS data set that TSM uses for the database, the recovery log, and storage pools. The data set must be preallocated using VSAM IDCAMS and formatted by TSM for its use.

load

See *mount*.

local area network (LAN)

A network in which a set of devices are connected to one another for communication and that can be connected to a larger network.

logical file

A client file stored in one or more server storage pools, either by itself or as part of an aggregate file. See also *aggregate file* and *physical file*.

logical occupancy

The space required for the storage of logical files in a storage pool. Because logical occupancy does not include the unused space created when logical files are deleted from aggregates, it may be less than *physical occupancy*. See also *physical file* and *logical file*.

logical volume

(1) A portion of a physical volume that contains a filesystem. (2) For the TSM server, the combined space from all volumes defined to either the database or the recovery log. The database is one logical volume and the recovery log is one logical volume.

log pool size

The size of an area in memory used to store recovery log pages.

low migration threshold

A percentage of the storage pool capacity that specifies when TSM can stop the migration of files to the next storage pool. Contrast with *high migration threshold*. See *server migration*.

M

machine information

Details about the machine on which a client node resides.

macro file

A file that contains one or more administrative commands and that is run from an administrative client. Contrast with *TSM command script*.

managed object

A definition in the TSM database of a managed server that was distributed to the managed server by a configuration manager. In general, the definition cannot be modified locally on the managed server. When a managed server subscribes to a profile, all objects associated with that profile become managed objects in the database of the managed server. Objects can include policy, schedules, client options sets, server scripts, administrator registrations, and server and server group definitions.

managed server

A TSM server that receives configuration information from a configuration manager via subscription to one or more profiles. Configuration information can include definitions of objects such as policy and schedules. See *configuration manager*, *subscription*, and *profile*.

management class

A policy object that users can bind to each file to specify how the server manages the file. The management class can contain a backup copy group, an archive copy group, and space management attributes. The copy groups determine how the TSM server manages backup versions or archive copies of files. The space management attributes determine whether files are eligible for migration from space manager client nodes to TSM storage, and under what conditions. See also *copy group*, *binding* and *rebinding*.

mask

A pattern of characters that controls the keeping, deleting, or testing of positions of another pattern of characters or bits.

maximum extension

Specifies the maximum amount of storage space, in megabytes, that you can extend the database or recovery log.

maximum reduction

Specifies the maximum amount of storage space, in megabytes, that you can reduce the database or recovery log.

maximum utilization

The highest percentage of assigned capacity used by the database or recovery log.

MB

Megabyte.

megabyte (MB)

(1) For processor storage and real and virtual memory, 2^{20} or 1 048 576 bytes. (2) For disk storage capacity and transmission rates, 1 000 000 bytes.

migrate

(1) To move data from one storage pool to the storage pool specified as the next pool in the hierarchy. The process is controlled by the high and low migration thresholds for the first storage pool. See *high migration threshold* and *low migration threshold*. (2) To copy a file from a Tivoli Space Manager client node to TSM storage. Tivoli Space Manager replaces the file with a stub file on the client node. The process is controlled by the include-exclude list and by space management attributes in management classes.

migration

The process of moving data from one storage location to another. See *client migration* and *server migration*.

minidisk

A logical subdivision of a VM physical disk that provides storage on contiguous cylinders of DASD. On a VM server, a minidisk can be defined as a disk volume that can be used by the database, recovery log, or a storage pool.

mirroring

A feature that protects against data loss within the database or recovery log by writing the same data to multiple disks at the same time. Mirroring supports up to three exact copies of each database or recovery log volume.

mm

Millimeter.

mode

A copy group attribute that specifies whether to back up a file that has not been modified since the last time the file was backed up. See *modified* and *absolute*.

modified

A backup copy group mode value indicating that a file is considered for incremental backup only if it has changed since the last backup. A file is considered changed if the date, size, owner, or permissions have changed. See *mode*. Contrast with *absolute*.

Motif

A graphical user interface that performs window management and contains a high level toolkit for application program development. It provides an icon view of the UNIX file system. Also known as X-Windows/Motif or Motif X—Toolkit.

mount

To place a data medium (such as a tape cartridge) on a drive in a position to operate.

mount exit

On a VM server, an installation-wide exit (DSMMOUNT EXEC) that requests tape mounts on behalf of the server on VM systems.

mount limit

A device class attribute specifying the maximum number of volumes that can be simultaneously accessed from the same device class, that is, the maximum number of mount points. See *mount point*.

mount operator

On a VM server, a VM user ID that can receive tape mount messages from the server.

mount point

A logical drive through which TSM accesses volumes in a sequential access device class. For a device class with a removable media device type (for example, CARTRIDGE), a mount point is a logical drive associated with a physical drive. For a device class with the device type of FILE, a mount point is a logical drive associated with an I/O stream. The number of mount points for a device class is determined by the mount limit for that class. See *mount limit*.

mount request

A server request to mount a sequential access media volume so that data can be read from or written to the sequential access media.

mount retention period

A device class attribute that specifies the maximum number of minutes that the server retains a mounted sequential access media volume that is not being used before it dismounts the sequential access media volume.

mount wait period

A device class attribute that specifies the maximum number of minutes that the server waits for a sequential access volume mount request to be satisfied before canceling the request.

Multiple Virtual Storage (MVS)

One of the family of IBM operating systems for the System/370™ or System/390® processor, such as MVS/ESA™. MVS is one of the supported server environments.

MVS

Multiple Virtual Storage.

N

Named Pipes

A communication protocol that is built into the Windows NT or OS/2 operating system. It can be used to establish communications between the TSM server and any TSM clients on the same system.

NetBIOS

Network Basic Input/Output System.

network adapter

A physical device, and its associated software, that enables a processor or controller to be connected to a network.

Network Basic Input/Output System (NetBIOS)

An operating system interface for application programs used on IBM personal computers that are attached to the IBM Token-Ring Network.

Network File System (NFS)

A protocol defined by Sun Microsystems that extends TCP/IP network file services. NFS permits remote node files to appear as though they are stored on a local workstation.

Networking Services/DOS (NS/DOS)

A software product that supports advanced program-to-program communications (APPC) in the DOS and Microsoft Windows 3.1 environments. With NS/DOS, communications applications on your workstation “talk to” partner applications on other systems that support APPC.

NFS

Network File System.

node

A unique name used to identify a workstation to the server. See also *client node*.

notify operator

A VM user ID that specifies an operator who receives messages about severe errors and abnormal conditions.

O

object

A collection of data managed as a single entity.

offsite recovery media

Media that is kept at a different location to ensure its safety if a disaster occurs at the primary location of the computer system. The media contains data necessary to

recover the TSM server and clients. The offsite recovery media manager, which is part of DRM, identifies recovery media to be moved offsite and back onsite, and tracks media status.

offsite volume

A removable media volume that is at a location where it cannot be mounted for use.

open registration

A registration process in which users can register their own workstations as client nodes with the server. Contrast with *closed registration*.

Operating System/2[®] (OS/2)

An operating system used in IBM PC AT[®], PS/2, and compatible computers.

operator privilege class

An administrative privilege class that allows an administrator to issue commands that control the operation of the server. This privilege class allows disabling or halting the server to perform maintenance, enabling the server, canceling server processes, and managing tape.

optical library

A storage device that houses optical disk drives and optical disks, and contains a mechanism for moving optical disks between a storage area and optical disk drives.

OS/2

Operating System/2.

OS/390[®]

Operating System/390.

OS/400[®]

Operating System/400[®].

owner

The owner of backup-archive files sent from a multiuser client node, such as AIX.

P

page

(1) A block of instructions, data, or both. (2) In TSM, a unit of space allocation within database volumes. (3) In a virtual storage system, a fixed block that has a virtual address and is transferred as a unit between real storage and auxiliary storage.

paging

(1) The action of transferring instructions, data, or both, between real storage and external page storage. (2) Moving data between memory and a mass storage device as the data is needed.

pattern-matching expression

A string expression that uses wildcard characters to specify one or more TSM objects. See also *wildcard character*.

physical file

A file, stored in one or more storage pools, consisting of either a single logical file, or a group of logical files packaged together (an aggregate file). See also *aggregate file* and *logical file*.

physical occupancy

The occupancy of physical files in a storage pool. This is the actual space required for the storage of physical files, including the unused space created when logical files are deleted from aggregates. See also *physical file*, *logical file*, and *logical occupancy*.

platform

The operating system environment in which a program runs.

policy domain

A policy object that contains policy sets, management classes, and copy groups that are used by a group of client nodes. See *policy set*, *management class*, and *copy group*.

policy privilege class

An administrative privilege class that allows an administrator to manage policy objects, register client nodes, and schedule client operations (such as backup services) for client nodes. Administrators can be authorized with unrestricted or restricted policy privilege.

policy set

A policy object that contains a group of management class definitions that exist for a policy domain. At any one time there can be many policy sets within a policy domain but only one policy set can be active. See *management class* and *active policy set*.

premigration

For an HSM client, the process of copying files that are eligible for migration to TSM storage, but leaving the original file intact on the local system.

primary storage pool

A named set of volumes that TSM uses to store backup versions of files, archive copies of files, and files migrated from HSM client nodes. A primary storage pool may be backed up to a copy storage pool. See *destination* and *copy storage pool*.

privilege class

A level of authority granted to an administrator of TSM . The privilege class determines which TSM administrative tasks the administrator can perform. For example, an administrator with system privilege class can perform any administrative task. See *system privilege class*, *policy privilege class*, *storage privilege class*, *operator privilege class*, and *analyst privilege class*.

profile

A named group of configuration information that can be distributed from a configuration manager when a managed server subscribes. Configuration information can include registered administrators, policy, client schedules, client option sets, administrative schedules, server command macros, server definitions, and server group definitions. See *configuration manager* and *managed server*.

protection status

A device class attribute that specifies whether to update the RACF[®] profile to identify which users have access to cartridge tapes associated with this device class on MVS servers.

Q**QIC**

Quarter-inch cartridge (a type of magnetic tape media).

R**random access media**

Any volume accessed in a nonsequential manner. In TSM, volumes are accessed in a nonsequential manner if they reside in the DISK device class.

randomization

The percentage of the startup window that the server can use to randomize start times for different client nodes associated with a schedule.

rebinding

The process of associating a file with a backed-up file with a new management class name. For example, rebinding occurs when the management class associated with a file is deleted. See *binding*.

recall

A function that allows users to access files that have been migrated from their workstations to TSM storage via the Tivoli Space Manager (HSM client). Contrast with *migrate*.

reclamation

A process of consolidating the remaining data from many sequential access volumes onto fewer new sequential access volumes.

reclamation threshold

The percentage of reclaimable space that a sequential access media volume must have before the server can reclaim the volume. Space becomes reclaimable when files are expired or are deleted. The percentage is set for a storage pool.

recovery log

A log of updates that are about to be written to the database. The log can be used to recover from system and media failures.

recovery log buffer pool

Used to hold new transactions records until they can be written to the recovery log.

recovery media

Media that contains data necessary to recover the TSM server and clients.

reduce

The process of freeing up enough space to allow you to delete a volume from the database or recovery log. Contrast with *extend*.

REEL

On TSM servers that support it, a device class that is used to categorize tape devices that support tape reels, such as the 3420 9-track tape device.

register

- (1) Define a client node or administrator who can access the server. See *registration*.
- (2) Specify licenses that have been purchased for the server.

registration

The process of identifying a client node or administrator to the server.

reply operator

On a VM server, a VM user ID that specifies an operator who will reply to tape mount requests by the server.

restore

The process of returning a backup copy to an active storage location for use. TSM has processes for restoring its database, storage pools, storage pool volumes, and

users' backed-up files. For example, users can copy a backup version of a file from the storage pool to the workstation. The backup version in the storage pool is not affected. Contrast with *backup*.

retention

The amount of time, in days, that inactive backed up or archived files are kept in the storage pool before they are deleted. Copy group attributes and default retention grace periods for the domain define retention.

retention period

On an MVS server, a device class attribute that specifies how long files are retained on sequential access media. When used, TSM passes this information to the MVS operating system to ensure that other tape management systems do not overwrite tape volumes that contain retained data.

retrieve

A function that allows users to copy an archive copy from the storage pool to the workstation. The archive copy in the storage pool is not affected. Contrast with *archive*.

rollback

To remove changes that were made to database files since the last commit point.

root user

In the AIX and UNIX environments, a user who has superuser authority. The user can log in and execute restricted commands, shut down the system, and edit or delete protected files.

S

schedule

A database record that describes scheduled client operations or administrative commands. See *administrative command schedule* and *client schedule*.

scheduling mode

The type of scheduling operation set for the server and client. TSM supports two scheduling modes for client operations: client-polling and server-prompted.

scratch volume

A volume that is available for TSM use. The volume is labeled, is either blank or contains no valid data, and is not defined to TSM.

script

See *TSM command script*.

SCSI

Small computer system interface.

selective backup

A function that allows users to back up specific files or directories from a client domain. With this function, users can back up files or directories that are not excluded in the include-exclude list and that meet the requirement for serialization as defined in the backup copy group of the management class assigned to the files. Contrast with *incremental backup*.

sequential access media

Any volume that is accessed in a sequential manner, as opposed to a random manner. In TSM, volumes are accessed sequentially if they reside in a device class other than DISK.

serialization

A copy group attribute that specifies what TSM does if files are modified during back up or archive processing. The value of this attribute determines whether processing continues, is retried, or is stopped. See *static*, *dynamic*, *shared static*, and *shared dynamic*.

server

The program that provides backup, archive, space management, and administrative services to clients. The server program must be at the necessary level to provide all of these services.

server migration

The process of moving data from one storage pool to the next storage pool as controlled by the high and low migration thresholds. See *high migration threshold* and *low migration threshold*.

server options file

A file that specifies processing options for communication methods, tape handling, pool sizes, language, and date, time, and number formats.

server-prompted scheduling mode

A client/server communication technique where the server contacts the client when a scheduled operation needs to be done.

server storage

The primary and copy storage pools used by the server to store users' files: backup versions, archive copies, and files migrated from Tivoli Space Manager client nodes (space-managed files). See *primary storage pool*, *copy storage pool*, *storage pool volume*, and *volume*.

session resource usage

The amount of wait time, CPU time, and space used or retrieved during a client session.

shared dynamic

A copy group serialization value that specifies that a file must not be modified during a backup or archive operation. TSM attempts to retry the backup or archive operation a number of times; if the file is in use during each attempt, TSM will back up or archive the file on its last try even though the file is in use. See also *serialization*. Contrast with *dynamic*, *shared static*, and *static*.

shared static

A copy group serialization value that specifies that the file must not be modified during backup or archive. TSM will retry the backup or archive operation a number of times; if the file is in use during each attempt, TSM will not back up or archive the file. See also *serialization*. Contrast with *dynamic*, *shared dynamic*, and *static*.

shell

In the AIX and UNIX environments, a software interface between a user and the operating system of a computer. Shell programs interpret commands and user interactions on devices such as keyboards, pointing devices, and touch-sensitive screens and communicate them to the operating system.

SMIT

System Management Interface Tool.

SNA LU6.2

Systems Network Architecture Logical Unit 6.2.

snapshot

See *database snapshot*.

socket

(1) An endpoint for communication between processes or applications. (2) A pair consisting of TCP port and IP address, or UDP port and IP address.

source server

A server that can send data, in the form of *virtual volumes*, to another server. Contrast with *target server*.

space-managed file

A file that is migrated from and recalled to a client node via Tivoli Space Manager (HSM client).

space management

The process performed by Tivoli Space Manager to keep sufficient free storage space available on a client node by migrating files to Tivoli Storage Manager storage. The files are migrated based on criteria defined in management classes to which files are bound, and the include-exclude list. Synonymous with *hierarchical storage management*. See also *migration*.

space manager client

Synonym for *hierarchical storage management (HSM) client*.

stale copy status

Specifies that a volume copy is not available to the database or recovery log.

stanza

A group of lines in a file that together have a common function or define a part of the system. Stanzas are usually separated by blank lines or colons, and each stanza has a name.

startup window

A time period during which a schedule must be initiated.

static

A copy group serialization value that specifies that the file must not be modified during backup or archive. If the file is modified during the attempt, TSM will not back up or archive the file. See also *serialization*. Contrast with *dynamic*, *shared dynamic*, and *shared static*.

storage hierarchy

A logical ordering of primary storage pools, as defined by an administrator with system privilege. Generally, the ordering is based on the speed and capacity of the devices that the storage pools use. In TSM, the storage hierarchy is defined by identifying the *next* storage pool in a storage pool definition. See *storage pool*.

storage management services

A component that allows a central system to act as a file backup, archive, and space management server for local area network file servers and workstations.

storage pool

A named set of storage volumes that TSM uses to store client data. A storage pool is either a primary storage pool or a copy storage pool. See *primary storage pool* and *copy storage pool*.

storage pool volume

A volume that has been assigned to a TSM storage pool. See *volume*, *copy storage pool*, and *primary storage pool*.

storage privilege class

An administrative privilege class that allows an administrator to control the allocation and use of storage resources for the server, such as monitoring the database, recovery log, and server storage. Administrators can be authorized with unrestricted or restricted storage privilege.

stub file

A file that replaces the original file on a client node when the file is migrated from the client node to TSM storage.

subscription

The method by which a managed server requests that it receive configuration information associated with a particular profile on a configuration manager. See *managed server*, *configuration manager*, and *profile*.

superuser

See *root user*.

synchronized copy status

Specifies that the volume is the only volume copy or is synchronized with other volume copies in the database or recovery log. When synchronized, mirroring has started.

system privilege class

An administrative privilege class that allows an administrator to issue all server commands.

Systems Application Architecture (SAA)

Software interfaces, conventions, and protocols that provide a framework for designing and developing applications that are consistent across systems.

Systems Network Architecture (SNA)

A set of rules for data to be transmitted in a network. Application programs communicate with each other using a layer of SNA called advanced program-to-program communications (APPC).

T

tape library

(1) A term used to refer to a collection of tape cartridges. (2) An automated device that performs tape cartridge mounts and demounts without operator intervention.

Tape Library Dataserver

An automated tape library consisting of mechanical components, cartridge storage frames, IBM tape subsystems, and controlling hardware and software. The tape library dataserver performs tape cartridge mounts and demounts without operator intervention.

tape volume prefix

A device class attribute that is the high-level-qualifier of the file name or the data set name in the standard tape label.

target server

A server that can receive data sent from another server. Contrast with *source server*. See also *virtual volumes*.

TCP/IP

Transmission Control Protocol/Internet Protocol.

Telnet

In TCP/IP, the protocol that opens the connection to the system.

Tivoli Disaster Recovery Manager (DRM)

A product that works with TSM to assist in preparing and later using a disaster recovery plan for the TSM server.

Tivoli Storage Manager (TSM)

A client/server program that provides storage management to customers in a multivendor computer environment.

Transmission Control Protocol/Internet Protocol (TCP/IP)

A set of communication protocols that support peer-to-peer connectivity functions for both local and wide area networks.

trusted communication agent

A program that performs communication tasks on behalf of the client or server, and ensures the security of the communications.

TSM

Tivoli Storage Manager.

TSM application program interface (API)

A set of functions that applications running on a client platform can call to store, query, and retrieve objects from TSM storage.

TSM command script

A sequence of TSM administrative commands that are stored in the TSM database. The script can include substitution for command parameters and conditional logic. You can run the script from any interface to the server.

U**unit name**

On an MVS server, a device class attribute that specifies a group of tape devices used with the MVS server. A unit name can be a generic device type, an esoteric unit name, or a physical device.

UNIX System Services

MVS/ESA services that support an environment within which operating systems, servers, distributed systems, and workstations share common interfaces. UNIX System Services supports standard application development across multivendor systems and is required to create and use applications that conform to the POSIX standard. UNIX System Services was formerly known as OpenEdition® MVS.

utilization

The percent of assigned capacity used by the database or recovery log at a specific point of time.

V**validate**

The process of ensuring that the active policy set contains a default management class and reporting on copy group definition errors.

version

The maximum number of backup copies retained for files and directories. The following copy group attributes define version criteria: versions data exists and versions data deleted.

Virtual Machine (VM)

One of the family of IBM operating systems for the System/390 processor, including VM/ESA[®].

Virtual Storage Extended (VSE)

One of the family of IBM operating systems for the System/390 processor, including VSE/ESA[™].

virtual volume

A volume that appears to be a sequential media volume on a *source server* but that is actually stored as an archive file on a *target server*.

VM

Virtual Machine.

volume

The basic unit of storage for the TSM database, recovery log, and storage pools. A volume can be an LVM logical volume, a standard file system file, a tape cartridge, or an optical cartridge. Each volume is identified by a unique volume identifier. See *database volume*, *scratch volume*, and *storage pool volume*.

volume history file

A file that contains information about: volumes used for database backups and database dumps; volumes used for export of administrator, node, policy, or server data; and sequential access storage pool volumes that have been added, reused, or deleted. The information is a copy of the same types of volume information in the TSM database.

VSE

Virtual Storage Extended.

W

wildcard character

A character or set of characters used to specify an unknown number or set of characters in a search string. Also called *pattern-matching character*.

WORM

A type of optical media that can only be written to and cannot be erased.

X

X Windows

A network transparent windowing system developed by MIT. It is the basis for other products, such as Enhanced X Windows which runs on the AIX operating system.



Program Number: 5697-DRM
5697-TSM
5697-DRO
5697-TSO
5697-DPN
5697-DPO
5697-DPS
5697-DPX
5697-SPM



Printed in the United States of America
on recycled paper containing 10%
recovered post-consumer fiber.

GC35-0382-01



Spine information:

Tivoli Storage Manager Messages, Version 3 Release 7

<http://www.404manual.com>

<http://www.luxmanual.com>

<http://aubethermostatmanual.com>

Golf course search by state

<http://golfingnear.com>

Email search by domain

<http://emailbydomain.com>

Auto manuals search

<http://auto.somanuals.com>

TV manuals search

<http://tv.somanuals.com>