

TC14/14A, TC18/18A Conveyor Toasters

Models:

- TC1463/TC14A63
- TC1466/TC14A66
- TC1474/TC14A74
- TC1863/TC18A63
- TC1866/TC18A66

PARTS MANUAL

for domestic and standard export toasters

© 2000 Toastmaster, A Middleby Company.

Toastmaster is a registered trademark of Toastmaster, A Middleby Company. All rights reserved.

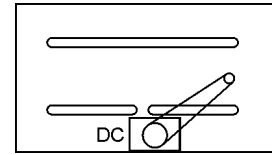
Middleby Cooking Systems Group • 1400 Toastmaster Drive • Elgin, IL 60120 • (847)741-3300 • FAX (847)741-4406

TC14 PRODUCT HISTORY

Model TC14 Conveyor Toaster - Produced through 3/00

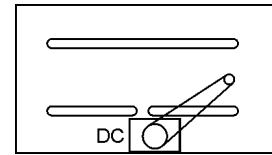
120V units (TC1474):

- DC conveyor drive motor
- Single upper heater (860W) and dual lower heater (860+250W)
- 5:3 motor-to-conveyor drive ratio



208V (TC1463) and 240V (TC1466) units:

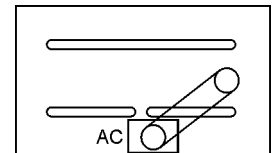
- DC conveyor drive motor
- Single upper heater (1060W) and dual lower heater (1060+250W)
- 5:3 motor-to-conveyor drive ratio



Model TC14A Type 1 Conveyor Toaster - Produced 4/00-7/00

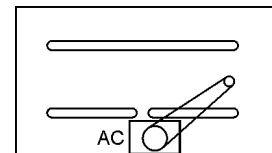
120V units (TC14A74):

- AC conveyor drive motor
- Single upper heater (860W) and dual lower heater (860+250W)
- 1:1 motor-to-conveyor drive ratio



208V (TC14A63) and 240V (TC14A66) units:

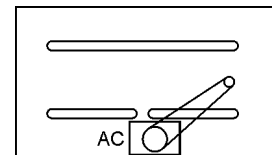
- AC conveyor drive motor
- Single upper heater (800W) and dual lower heater (800+190W)
- 5:3 motor-to-conveyor drive ratio



Model TC14A Type 2 Conveyor Toaster - Produced 8/00 or later

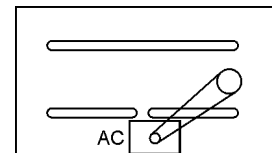
120V units (TC14A74):

- AC conveyor drive motor
- Single upper heater (860W) and dual lower heater (860+250W)
- 5:3 motor-to-conveyor drive ratio



208V (TC14A63) and 240V (TC14A66) units:

- AC conveyor drive motor
- Single upper heater (800W) and dual lower heater (800+190W)
- 3:5 motor-to-conveyor drive ratio

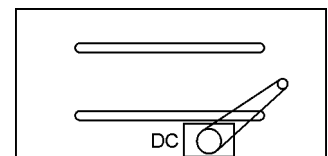


TC18 PRODUCT HISTORY

Model TC18 Type 1 Conveyor Toaster - Produced through 9/99

208V (TC1863) and 240V (TC1866) units:

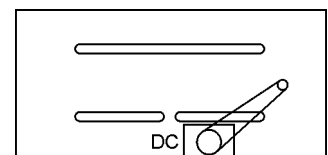
- DC conveyor drive motor
- Single upper heater (1200W) and single lower heater (1500W)
- 5:3 motor-to-conveyor drive ratio



Model TC18 Type 2 Conveyor Toaster - Produced 10/99-3/00

208V (TC1863) and 240V (TC1866) units:

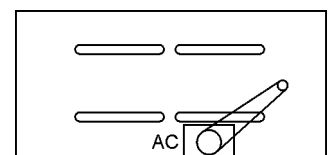
- DC conveyor drive motor
- Single upper heater (1200W) and dual lower heater (1200+250W)
- 5:3 motor-to-conveyor drive ratio



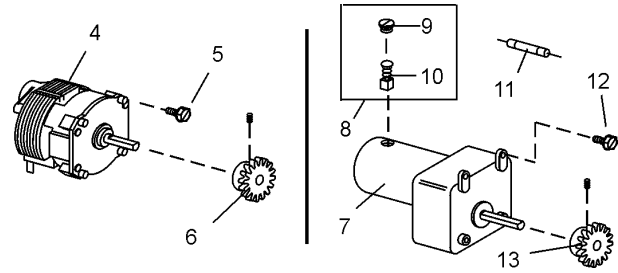
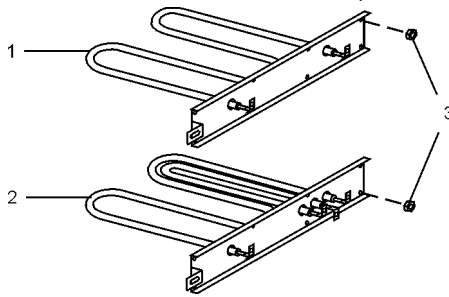
Model TC18A Conveyor Toaster - Produced 4/00 or later

208V (TC18A63) and 240V (TC18A66) units:

- AC conveyor drive motor
- Identical dual upper and lower heaters (900W+190W)
- 5:3 motor-to-conveyor drive ratio



HEATERS, DRIVE MOTORS, AND SERVICE KITS



**TC14/TC18
USA & Std. Export**

ITEM QTY.	P/N	DESCRIPTION
-----------	-----	-------------

TC14 HEATER COMPONENTS

1a	1	33404	TC14 120V TOASTER TOP HEATER ASSY (120V/860W)
1b	1	(obsolete)	TC14 208V TOASTER TOP HEATER ASSY (208V/1060W) - Replace with Kit 43316*
1c	1	(obsolete)	TC14 240V TOASTER TOP HEATER ASSY (240V/1060W) - Replace with Kit 43317*
2a	1	33405	TC14 120V TOASTER BOTTOM HEATER ASSY (120V/860W+250W)
2b	1	(obsolete)	TC14 208V TOASTER BOTTOM HEATER ASSY (208V/1060+250W) - Replace with Kit 43316*
2c	1	(obsolete)	TC14 240V TOASTER BOTTOM HEATER ASSY (240V/1060+250W) - Replace with Kit 43317*
3	16	2001371	NUT, KEPS 10-32

*NOTE: Service Kits 43316 and 43317 each include new upper AND lower heating elements.

TC14A HEATER COMPONENTS

1a	1	33404	TC14A 120V TOASTER TOP HEATER ASSY (120V/860W)
1e	1	43178	TC14A 208V TOASTER TOP HEATER ASSY (208V/800W)
1f	1	43181	TC14A 240V TOASTER TOP HEATER ASSY (240V/1060W)
2a	1	33405	TC14A 120V TOASTER BOTTOM HEATER ASSY (120V/860W+250W)
2e	1	43179	TC14A 208V TOASTER BOTTOM HEATER ASSY (208V/800+190W)
2f	1	43180	TC14 240V TOASTER BOTTOM HEATER ASSY (240V/800+190W)
3	16	2001371	NUT, KEPS 10-32

TC18 HEATER COMPONENTS

1g	1	(obsolete)	TC18 208V TYPE 1 OR TYPE 2 TOASTER TOP HEATER ASSY (208V/1200W) - Replace with Kit 43318*
1h	1	(obsolete)	TC18 240V TYPE 1 OR TYPE 2 TOASTER BOTTOM HEATER ASSY (240V/1200W) - Replace with Kit 43319*
2g	1	(obsolete)	TC18 208V TYPE 1 TOASTER BOTTOM HEATER ASSY (208V/1500W) - Replace with Kit 43318*
2h	(obsolete)		TC18 208V TYPE 2 TOASTER BOTTOM HEATER ASSY (208V/1200W+250W) - Replace with Kit 43318*
2i	1	(obsolete)	TC18 240V TYPE 1 TOASTER BOTTOM HEATER ASSY (240V/1500W) - Replace with Kit 43319*
2j	(obsolete)		TC18 240V TYPE 2 TOASTER BOTTOM HEATER ASSY (240V/1200W+250W) - Replace with Kit 43319*
3	16	2001371	NUT, KEPS 10-32

*NOTE: Service Kits 43318 and 43319 each include new upper AND lower heating elements.

ITEM QTY.	P/N	DESCRIPTION
-----------	-----	-------------

TC18A HEATER COMPONENTS

1k,2k	2	43184	TC18A 208V TOASTER TOP OR BOTTOM HEATER ASSY (208V/900W+190W)
1m,2m	2	43185	TC18A 240V TOASTER TOP OR BOTTOM HEATER ASSY (240V/900W+190W)
3	16	2001371	NUT, KEPS 10-32

AC MOTOR ASSEMBLY COMPONENTS (TC14A and TC18A toasters):

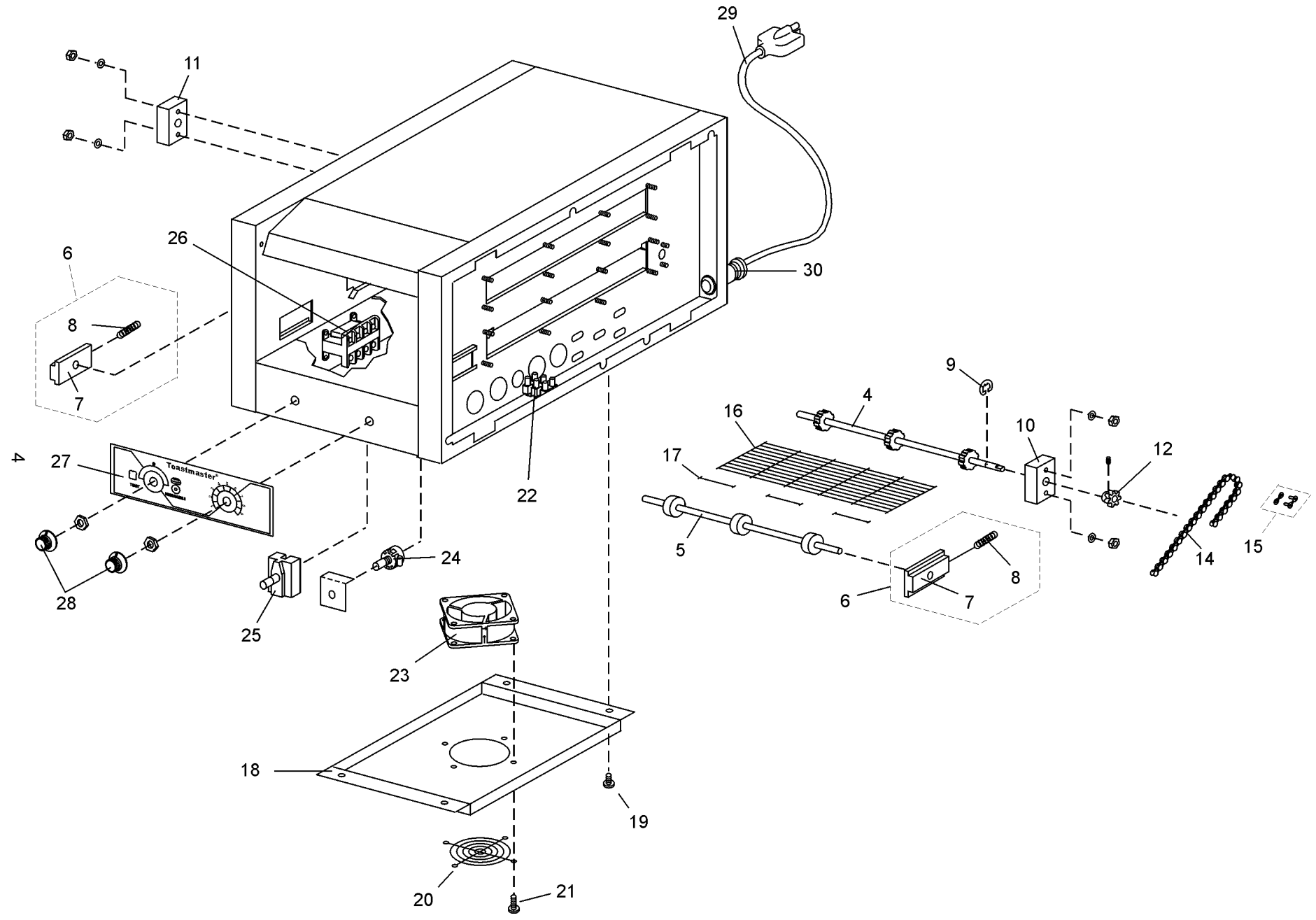
4	1	42444	MOTOR, DRIVE 120VAC
5	4	7A2S15	SCREW, TRS HD #10-32 X 3/4"
6a	1	42598	SPROCKET, MOTOR, 20T (with set screw) - for TC14A 120V toasters and all TC18A toasters
6b	1	42598	SPROCKET, MOTOR, 20T (with set screw) - for TC14A Type 1 208V and 240V toasters
6c	1	44539	SPROCKET, MOTOR, 12T (with set screw) - for TC14A Type 2 208V and 240V toasters

DC MOTOR ASSEMBLY COMPONENTS (TC14 and TC18 toasters):

--	1	31615	MOTOR & FUSE ASSEMBLY (inc. items 33-37)
7	1	3002757	MOTOR, CONVEYOR DRIVE, 115VDC
8	1	30155	KIT, MTR BRUSH & CAP (inc. items 20-21)
9	2	30154	CAP, PLASTIC
10	2	30153	MOTOR BRUSH
11	1	31053	FUSE, 0.25A 125V
12	4	2000177	SCREW, SLT HEX WSHR HD #10-32 X 1/4"
13	1	34128	SPROCKET, MOTOR, 20T (with set screw)

SERVICE KITS:

KIT 1	--	43315	KIT, TC14 TO TC14A 120V TOASTER UPDATE Updates one 120V TC14 toaster to the current TC14A Type 2. Includes instructions and all required parts.
KIT 2	--	43316	KIT, TC14 TO TC14A 208V TOASTER UPDATE Updates one 208V TC14 toaster to the current TC14A Type 2. Includes instructions and all required parts.
KIT 3	--	43317	KIT, TC14 TO TC14A 240V TOASTER UPDATE Updates one 240V TC14 toaster to the current TC14A Type 2. Includes instructions and all required parts.
KIT 4	--	43318	KIT, TC18 TO TC18A 208V TOASTER UPDATE Updates one 208V TC18 toaster to the current TC18A. Includes instructions and all required parts.
KIT 5	--	43319	KIT, TC18 TO TC18A 240V TOASTER UPDATE Updates one 240V TC18 toaster to the current TC18A. Includes instructions and all required parts.



COMPONENTS

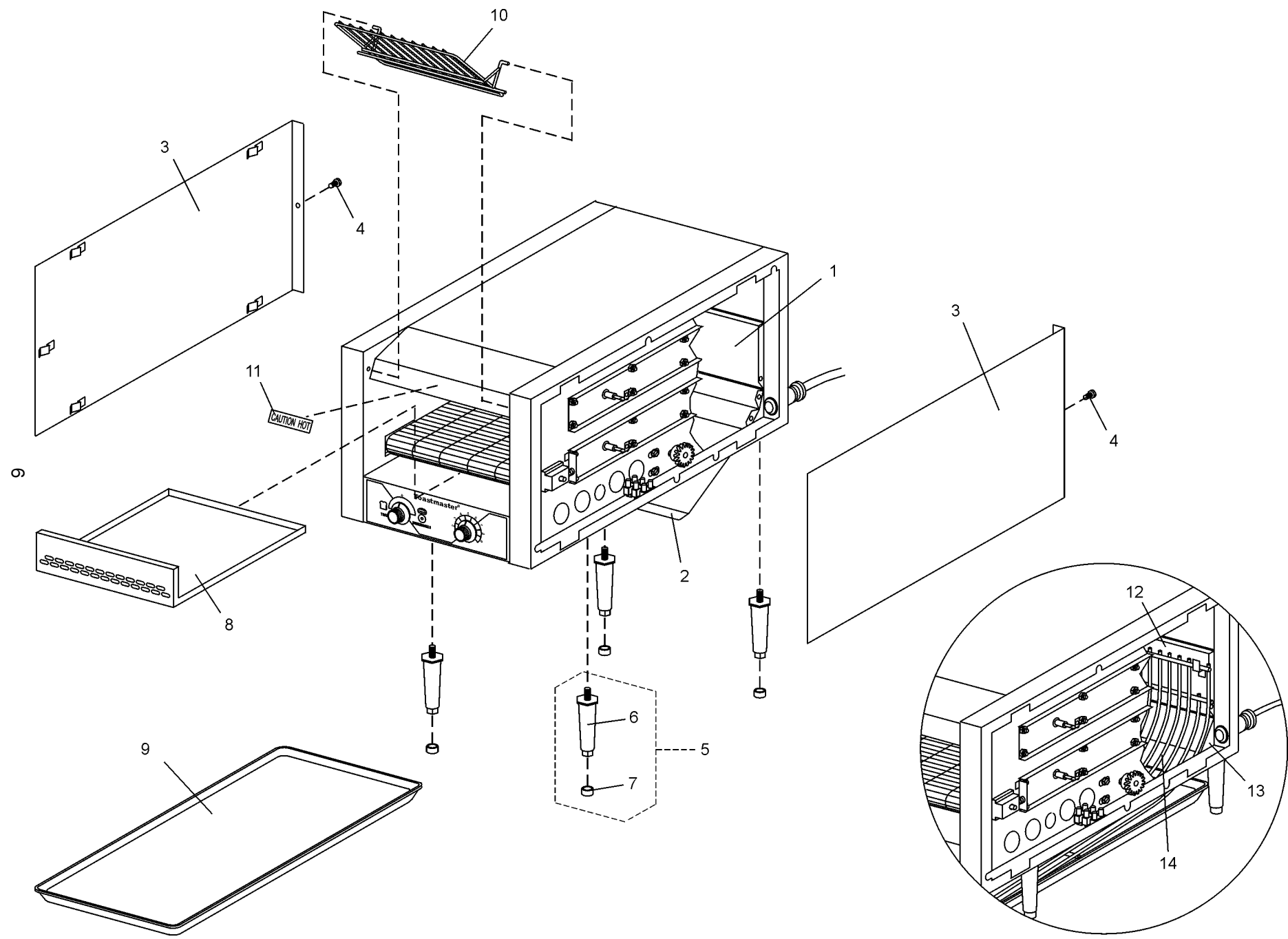
ITEM	QTY.	P/N	DESCRIPTION
4	1	33397	SHAFT ASSEMBLY, REAR <i>(with sprockets)</i>
5	1	33396	SHAFT ASSEMBLY, FRONT <i>(with smooth rollers)</i>
6	2	7610849	KIT, FRONT BEARING ASSEMBLY <i>(inc. items 7-8)</i>
7	1	7008178	BEARING, FRONT
8	1	3103262	SPRING
9	1	3102930	RETAINER, E-RING, 5/16"/7.9mm
10	1	7006964	BEARING, REAR RIGHT
11	1	7006963	BEARING, REAR LEFT
12a	1	34128	SPROCKET, DRIVE SHAFT, 20T <i>(for 208V or 240V TC14A Type 2 toasters - inc. set screw)</i>
12a	1	34129	SPROCKET, DRIVE SHAFT, 12T <i>(for all other TC14, TC14A, TC18, or TC18A toasters - inc. set screw)</i>
14a	1	43224	DRIVE CHAIN (16-1/4"/413mm) <i>(for TC14A Type 1 120V toasters)</i>
14b	1	7007605	DRIVE CHAIN (15"/381mm) <i>(for all other TC14, TC14A, TC18, or TC18A toasters)</i>
15	1	3101212	MASTER LINK, DRIVE CHAIN
16a	1	33392	BELT, CONV <i>(TC14, 10" x 25"/254x635mm, 85 links)</i>
16b	1	39351	BELT, CONV <i>(TC18, 10" x 33"/254x838mm, 113 links)</i>
17	3	33394	MASTER LINK, CONVEYOR BELT <i>(TC14 & TC18)</i>
18a	1	42681	BOTTOM PANEL <i>(TC14)</i>
18b	1	39260	BOTTOM PANEL <i>(TC18)</i>
19	4	3B20A8801	SCREW, HWH 8-32 x 3/8"
20	1	27470-0004	FAN GRILLE
21	4	21226-0007	SCREW, SLT PNHD 10-24 x 1/2"
22	1	33406	TERMINAL BLOCK, 3-POLE
23	1	27392-0002	COOLING FAN, 115V
24a	1	31141	SPEED CONTROLLER FOR DC MOTOR <i>(for all TC14 and TC18 toasters)</i>
24b	1	42718	SPEED CONTROLLER FOR AC MOTOR <i>(for 120V TC14A toasters)</i>
24b	1	42597	SPEED CONTROLLER FOR AC MOTOR <i>(for 208V and 240V TC14A, all TC18A toasters)</i>

ITEM	QTY.	P/N	DESCRIPTION
25	1	33388	SWITCH, PRODUCT SELECTION, 3-POSITION
26	1	30697	TRANSFORMER, 230Vp:115Vs <i>(208V, 230V, and 240V toasters only)</i>
27	1	39344	LABEL, CONTROL PANEL
28	2	33402	KNOB
29a	1	41763	CORD & PLUG <i>(TC14, 120V, NEMA 5-20P)</i>
29b	1	41762	CORD & PLUG <i>(TC14, 208/240V, NEMA 6-15P)</i>
29c	1	41755	CORD & PLUG <i>(TC18, 208/240V, NEMA 6-20P)</i>
30	1	33412	STRAIN RELIEF, BLACK PLASTIC

NOT SHOWN:

--	1	33387	BOTTOM COMPARTMENT INSULATION, FOIL-BACKED <i>(TC14)</i>
--	1	39346	BOTTOM COMPARTMENT INSULATION, FOIL-BACKED <i>(TC18)</i>
--	4	3101254	INSULATION CLIPS
--	1	33403	WIRESET, TC14 <i>(120V toasters)</i>
--	1	34082	WIRESET, TC14 <i>(208V and 240V toasters)</i>
--	1	42685	WIRESET, TC14A <i>(120V toasters)</i>
--	1	42605	WIRESET, TC14A <i>(208V and 240V toasters)</i>
--	1	39286	WIRESET, TC18
--	1	43235	WIRESET, TC18A
--	1	30930	CORDSET, COOLING FAN <i>(for all TC14, all TC18, and 120V TC14A toasters)</i>
--	1	42604	CORDSET, COOLING FAN <i>(for 208V and 240V TC14A, all TC18A toasters)</i>

TC14/TC18
USA & Std. Export



PANELS, TRAYS, AND MISCELLANEOUS

<i>ITEM</i>	<i>QTY.</i>	<i>P/N</i>	<i>DESCRIPTION</i>
1	1	39541	PANEL, REAR EXIT
2	1	39552	EXIT CHUTE
3	2	33253	PANEL, SIDE (TC14)
3	2	39278	PANEL, SIDE (TC18)
4	A/R	3B20A8801	SCREW, HWH 8-32 x 3/8"
5	4	32123	ASSY, LEG, 4" / 102mm (<i>inc. items 10-11</i>)
6	1	1523B8301	LEG, 4" / 102mm
7	1	31253	CAP (<i>rubber</i>)
8	1	33390	CRUMB TRAY, SLIDE-IN
9	1	33391	RETURN TRAY
10	1	33410	ENTRANCE RACK
11	1	321049	LABEL, CAUTION - HOT

PREVIOUS DESIGN:

12	1	(obsolete)	PANEL, REAR EXIT (<i>with hangers</i>) Replace with Kit 39543 (see SERVICE KITS)
13	1	(obsolete)	PANEL, LOWER REAR Replace with Kit 39544 (see SERVICE KITS)
14	1	(obsolete)	EXIT RACK, WIRE Replace with Kit 39544 (see SERVICE KITS)

SERVICE KITS:

--	--	39543	KIT, REAR EXIT PANEL UPDATE <i>Replaces items 15, 16, and 17 with items 4 and 5</i> <i>Includes conversion instructions</i>
--	--	39544	KIT, EXIT CHUTE UPDATE <i>Replaces items 16 and 17 with item 5</i> <i>Includes conversion instructions</i>

NOT SHOWN:

--	1	39289	OWNER'S OPERATING MANUAL, TC14/TC18
----	---	-------	-------------------------------------

WARNING

Improper installation, adjustment, alteration, service or maintenance can cause property damage, injury or death. Read the installation, operating and maintenance instructions thoroughly before installing or servicing this equipment.

NOTICE

During the warranty period, ALL parts replacement and servicing should be performed by your Toastmaster Authorized Service Agent. Service that is performed by parties other than your Toastmaster Authorized Service Agent may void your warranty.

NOTICE

Using any parts other than genuine Toastmaster factory manufactured parts relieves the manufacturer of all warranty and liability.

NOTICE

Toastmaster reserves the right to change specifications at any time.

Middleby Cooking Systems Group • 1400 Toastmaster Drive • Elgin, IL 60120 • USA • (847)741-3300 • FAX (847)741-4406

24-Hour Service Hotline: 1-(800)-238-8444

www.middleby.com



Free Manuals Download Website

<http://myh66.com>

<http://usermanuals.us>

<http://www.somanuals.com>

<http://www.4manuals.cc>

<http://www.manual-lib.com>

<http://www.404manual.com>

<http://www.luxmanual.com>

<http://aubethermostatmanual.com>

Golf course search by state

<http://golfingnear.com>

Email search by domain

<http://emailbydomain.com>

Auto manuals search

<http://auto.somanuals.com>

TV manuals search

<http://tv.somanuals.com>