

Perfectly Frank's Snack Shack

USE AND CARE GUIDE
MODEL TMHD1



IMPORTANT SAFEGUARDS

When using electrical appliances, basic safety precautions should always be followed including the following:

1. Read all instructions.
2. Do not touch hot surfaces. Use handles or knobs.
3. To protect against electrical shock do not immerse cord, plugs, or appliance in water or other liquid.
4. Close supervision is necessary when any appliance is used by or near children.
5. Unplug from outlet when not in use and before cleaning. Allow to cool before putting on or taking off parts.
6. Do not operate any appliance with a damaged cord or plug or after the appliance malfunctions or has been damaged in any manner. Contact Consumer Service for examination, repair or adjustment.
7. The use of accessory attachments not recommended by the appliance manufacturer may cause injuries.
8. Do not use outdoors.
9. Do not let cord hang over edge of table or counter, or touch hot surfaces.
10. Do not place on or near a hot gas or electric burner, or in a heated oven.
11. Extreme caution must be used when moving an appliance containing hot oil or other hot liquids.
12. To disconnect turn the Timer Control Dial to "0" and press the Rotate Switch to Off (O), then remove plug from wall outlet.
13. Do not use appliance for other than intended use.
14. Oversize foods or metal utensils must not be inserted in the appliance as they may create a fire or risk of electric shock.
15. A fire may occur if the appliance is covered or touching flammable material, including curtains, draperies, walls, and the like, when in operation. Do not store any item on top of the appliance when in operation.
16. Do not clean with metal scouring pads. Pieces can break off the pad and touch electrical parts, creating a risk of electric shock.

SAVE THESE INSTRUCTIONS

For Household Use Only



toastmaster®

1.

IMPORTANT SAFEGUARDS (Cont.)

17. Extreme caution should be exercised when using containers constructed of other than metal or glass.
18. Do not store any materials, other than manufacturers recommended accessories, in this appliance when not in use.
19. Do not place any of the following materials in the appliance: paper, cardboard, plastic, and the like.
20. Do not cover Crumb Tray or any part of the appliance with metal foil. This will cause overheating of the appliance.
21. To turn unit OFF, turn Timer Control to "0" and press the Rotate Switch to Off (O).

ADDITIONAL IMPORTANT SAFEGUARDS

CAUTION HOT SURFACES: This appliance generates heat and escaping steam during use. Proper precautions must be taken to prevent the risk of burns, fires, or other injury to persons or damage to property.

1. A person who has not read and understood all operating and safety instructions is not qualified to operate this appliance. All users of this appliance must read and understand this Owner's Manual before operating or cleaning this appliance.
2. If this appliance falls or accidentally becomes immersed in water, unplug it from the wall outlet immediately. **Do not reach into the water!**
3. When using this appliance, provide adequate air space above and on all sides for air circulation. Do not operate this appliance while it is touching or near curtains, wall coverings, clothing, dishtowels or other flammable materials.
4. To reduce the risk of fire, do not leave this appliance unattended during use.
5. If this appliance begins to malfunction during use, immediately unplug the cord. Do not use or attempt to repair a malfunctioning appliance!
6. The cord to this appliance should only be plugged into a 120V AC electrical wall outlet.
7. Do not use this appliance in an unstable position.

Polarized Plug

This appliance has a polarized plug (one blade is wider than the other). To reduce the risk of electric shock, this plug is intended to fit into a polarized outlet only one way. If the plug does not fit fully in the outlet, reverse the plug. If it still does not fit, contact a qualified electrician. Do not attempt to modify the plug in any way.

Short Cord Instructions

A short power-supply cord is provided to reduce the risk resulting from becoming entangled in or tripping over a longer cord.

Do not use an extension cord with this product.

Electric Power

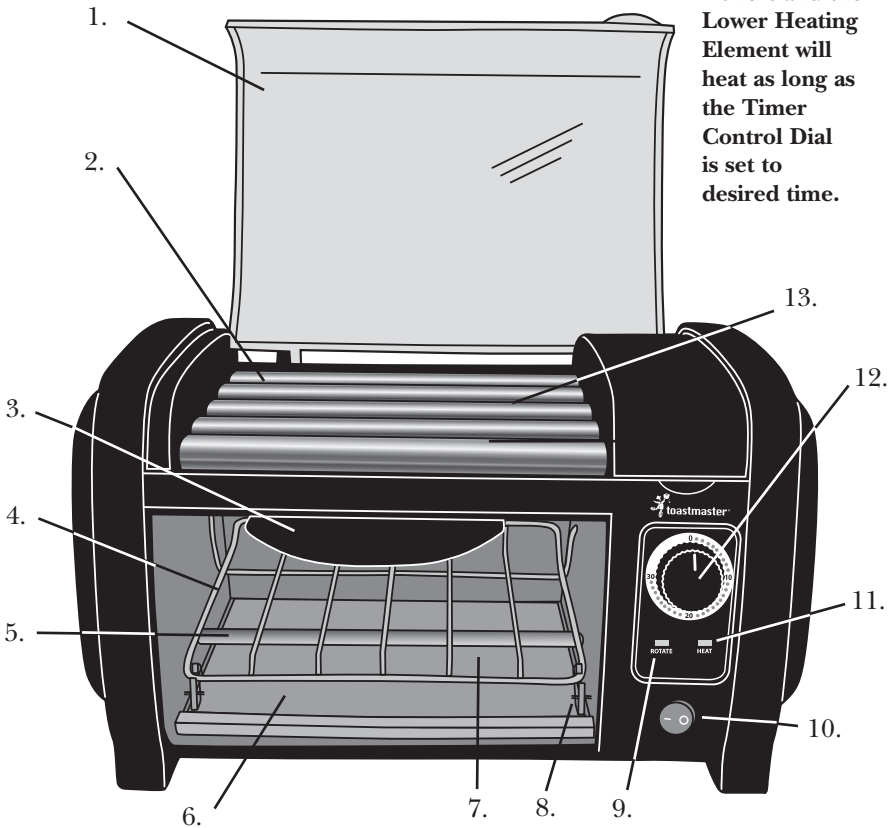
If the electrical circuit is overloaded with other appliances, your appliance may not operate properly. It should be operated on a separate electrical circuit from other appliances.



Getting to Know Your **Toastmaster®** Perfectly Frank's Snack Shack

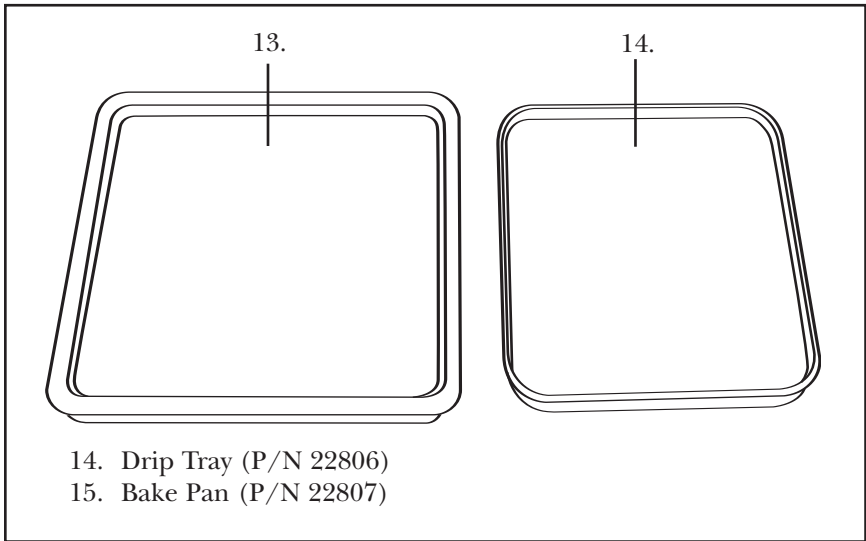
Your product may vary slightly from illustration.

NOTE: The Rollers and the Lower Heating Element will heat as long as the Timer Control Dial is set to desired time.



1. Lid with Handle
(P/N 22803)
2. Rollers
3. Door Handle
4. Wire Rack
5. Lower Heating Element
6. Crumb Tray
(P/N 22805)

7. Door with Wire Rack Guides
8. Wire Rack Guide Hooks
9. ROTATE Light
10. Rotate Switch
11. HEAT Light
12. Timer Control Dial
13. Grill Cavity



OPERATING INSTRUCTIONS

Before the First Use

1. Carefully unpack your appliance and remove all packaging materials.
2. Place your appliance on a level surface such as a countertop or tabletop. Be sure the sides, back, and top of the appliance are at least 4 inches away from any walls, cabinets, or objects on the counter or table.
3. Remove all stickers from the appliance except the rating label located on the back.
4. Remove any dust that may have accumulated during packaging by simply wiping the appliance exterior with a clean, damp cloth.
5. Do not use abrasive cleansers.
6. Do not immerse the appliance, cord or plug in water.
7. Wipe the Lid with a clean, damp cloth; or remove it by opening the Lid to a 45° angle and pull the right side out and then the left side. Wash in warm, soapy water, rinse and dry thoroughly. To replace the Lid, insert the tab on the left side of the Lid into the hinge on the back left side of the unit. Then slide in the tab on the right side of the Lid into the hinge on the back right side of the unit.
8. Wipe the Rollers with a clean damp cloth and dry thoroughly.



Before the First Use (Cont.)

9. The Wire Rack advances when the Door is opened. The Wire Rack must be unhooked from the Door to remove the Crumb Tray. Open the Door and pull the Wire Rack through the Wire Rack Guide Hooks on the Door, then remove the Crumb Tray.
10. Wash the Crumb Tray, Bake Pan, and Drip Tray in warm, soapy water. Rinse and dry thoroughly before placing back into the unit.
11. When you are ready to use the appliance, plug the cord into a 120V AC outlet.
12. To eliminate any protective substance or oil that may have been used for packing and shipping, turn the Timer Control Dial to 15 minutes. The HEAT Light will illuminate and the Lower Heating Element and Rollers will begin to heat. A small amount of smoke and odor may be detected. This is normal.
NOTE: To set the Timer Control Dial for less than 30 minutes, turn the Timer to 30 and then turn back to desired cooking time.
13. To avoid scratching, marring, or discoloration, do not store anything on top of the appliance during operation.

CAUTION: Appliance surfaces are hot during and after use.

CAUTION: Always wear protective, insulated oven mitts on hands when touching hot appliance or hot dishes and food or when inserting or removing Drip Tray, Bake Pan and food. IT IS REQUIRED THAT THIS PRODUCT NOT BE LEFT UNATTENDED DURING USE.

Cooking Containers

- Choose bakeware made of either metal or glass/ceramic without lids.
- Always check package directions on the container or contact the ovenware manufacturer to determine the container's suitability for use in a appliance.

CAUTION: Allow at least 1" air space between the top of the container and the heated Rollers. Never use glass lids on glass or metal bakeware. If a lid is necessary, cover tightly with heavy duty aluminum foil.

Timer Control Dial

The Timer Control Dial also acts as the appliance's ON and OFF switch for the Lower Heating Element and Rollers. Turn the Timer Control Dial clockwise to select the appropriate cooking time, up to 30 minutes. The red HEAT Light will illuminate. If cooking less than 30 minutes, turn the Timer Control Dial to 30 minutes and then back to desired cooking time. Press the Rotate Switch to the On (-) position. The blue ROTATE Light will illuminate and the Rollers will start turning.

NOTE: Rollers will not heat until Timer Control Dial is set.

When cooking time is complete, a signal will sound and the unit will turn off automatically. Press the Rotate Switch to Off (O) to stop the Rollers. The red Heat Light will turn off.

Instructions For Grilling Hot Dogs

1. Plug into 120V AC outlet.
2. Make sure the Drip Tray is in place directly under the Rollers. Place the Crumb Tray in the bottom of the unit and attach the Wire Rack to the Wire Rack Guide Hooks.
3. Center one to four hot dogs in between the Rollers and close the Lid. Place up to four hot dog buns onto the Wire Rack and close the Door.
4. Press the red Rotate switch to On (-), the blue ROTATE Light will illuminate and the Rollers will start turning. Turn the Timer Control Dial to desired time, the red HEAT Light will illuminate. Grilling most hot dogs will take 12 to 15 minutes. Warming hot dog buns takes 10 to 12 minutes.

IMPORTANT: Watch food until desired grilling is achieved and the buns are warmed.

CAUTION: Do not grill thin hot dogs; they will fall down through the Rollers.

CAUTION: Do not grill thick hot dogs or sausages, they will not rotate properly.

CAUTION: As soon as the Timer Control Dial is engaged, both the Heating Element and the Rollers will become hot immediately. Use care not to place anything on top of the appliance. Do not touch the appliance or any part of the appliance without wearing oven mitts.



Instructions For Grilling Hot Dogs (Cont.)

IMPORTANT: Watch hot dogs until desired color is achieved.

5. If grilling is completed before the Timer Control Dial shuts the appliance off, you may shut the appliance off manually by turning the Timer Control Dial to "0." This is the off position. The HEAT Light will turn off. Press the red Rotate Switch to Off (O) to stop the Rollers.
6. When the grilling time is complete, a signal will sound and the appliance will automatically shut off. The red HEAT Light will turn off. Press the Rotate Switch to Off (O) to stop the Rollers. The blue Rotate Light will turn off.
7. Open the Lid. Wear protective oven mitts and use tongs to remove hot dogs from Rollers. Open the Door and remove hot dog buns. Be careful when removing food from the back of the Wire Rack. The inside of the appliance is very hot. Close the Door and Lid.
8. Unplug unit and allow to cool before cleaning.

CAUTION: DO NOT LEAVE APPLIANCE UNATTENDED.

NOTE: Additional grilling cycles may require less time since the Rollers are already warm.

Hints For Grilling Hot Dogs

- Remove all protective wrappings from food before placing in appliance.
- For best results, clean Drip Tray frequently.

Instructions For Warming Food

Place food in a cold oven and set timer. Watch food closely.

NOTE: Most cheeses will melt and food will heat up in approximately 15 minutes.

1. Plug into 120V AC outlet.
2. Close the Lid. Remove the Drip Tray from under the Rollers, so that the heat from the Rollers will warm the lower part of the unit. Place the Crumb Tray in the bottom of the unit and attach the Wire Rack to the Wire Rack Guide Hooks.

3. Place the food to be warmed on the Wire Rack or on the Bake Pan and insert it into the unit and close the Door.
4. Turn the Timer Control Dial to desired time, the red HEAT Light will illuminate. Do not turn on the Rollers. Most foods will heat in approximately 15 minutes.
5. Some foods can be heated by placing the Bake Pan with the food on top of the stationary Rollers. Turn the Timer Control Dial to desired time, the red HEAT Light will illuminate. Do not turn on the Rollers.

CAUTION: As soon as the Timer Control Dial is engaged, both the Lower Heating Element and the Rollers will become hot immediately. Use care not to place anything on top of the appliance. Do not touch the appliance or any part of the appliance without wearing oven mitts.

6. If Warming is completed before the Timer Control shuts the appliance off, you may shut the appliance off manually by turning the Timer Control Dial to "0" this is the Off position. The red HEAT Light will turn off.
7. When the bake time is complete, a signal will sound and the appliance will automatically shut itself off. The red HEAT Light will turn off.
8. Open the Door or Lid. Wear protective oven mitts to food from appliance or Rollers. Be careful when removing food from the back of the Wire Rack. The inside of the appliance is very hot. Close the Door and Lid.
9. Unplug unit and allow to cool before cleaning.

CAUTION: DO NOT LEAVE APPLIANCE UNATTENDED.

Hints For Warming Food

NOTE: We do not recommend cooking frozen foods.

NOTE: Use extra caution when using this appliance for heating pastry items with runny-type frosting or open fillings.

- To prevent heat loss, avoid opening Door or Lid excessively.
- Foods to warm in the appliance on Bake Pan include nachos, English muffin pizzas, hot dog buns and to melt cheese on sandwiches.
- The Bake Pan placed on the Rollers can be used to cook eggs.



User Maintenance Instructions

This appliance requires little maintenance. It contains no user serviceable parts. Do not try to repair it yourself. Any servicing requiring disassembly must be performed by a qualified appliance repair technician.

Cleaning

1. Always unplug and allow to cool completely before cleaning or moving.
2. Wipe Rollers with a clean damp cloth and dry thoroughly.
3. Clean crumbs and spills after each use. Remove the Lid, Crumb Tray, Bake Pan and Drip Tray and wash in warm, soapy water. Rinse and dry thoroughly before placing in the unit. Or wash the Lid, Crumb Tray, Bake Pan and Drip Tray in the dishwasher.
4. Clean Wire Rack and interior of unit with a mild or non-abrasive cleaner and plastic scouring pad after each use to avoid buildup. Do not rub too hard as surface can be scratched.
5. Rinse and dry thoroughly before closing Door.

Door and Exterior Cleaning

1. Always unplug and allow to cool completely before cleaning or moving.
2. Clean Door and exterior with glass cleaner or mild detergent and damp cloth or plastic scouring pad. Do not use an abrasive cleaner or pad as they might scratch the finish.
3. Rinse and dry thoroughly with a clean cloth. Allow to dry before closing door.

LIMITED ONE-YEAR WARRANTY

Warranty Coverage: This product is warranted to be free from defects in materials or workmanship for a period of one (1) year from the original purchase date. This product warranty is extended only to the original consumer purchaser of the product and is not transferable. For a period of one (1) year from the date of original purchase of the product, our Repair Center will, at its option, either (1) repair the product or (2) replace the product with a reconditioned comparable model. These remedies are the purchaser's exclusive remedies under this warranty.

Warranty Service: To obtain warranty service, you must call our warranty service number at 1-800-233-9054 for return instructions on how to deliver the product, in either the original packaging or packaging affording an equal degree of protection to the Repair Center specified below. You must enclose a copy of your sales receipt or other proof of purchase to demonstrate eligibility for warranty coverage.

To return the appliance, ship to:

ATTN: Repair Center
708 South Missouri Street
Macon, MO 63552 USA

To contact us, please write to, call, or email:

Consumer Relations Department
PO Box 7366
Columbia, MO 65205-7366 USA
1-800-233-9054
E-mail: consumer_relations@toastmaster.com

What Is Not Covered: This warranty does not cover damage resulting from misuse, accident, commercial use, improper service or any other damage caused by anything other than defects in material or workmanship during ordinary consumer use. This warranty is invalid if the serial number has been altered or removed from the product. This warranty is valid only in the United States and Canada.

LIMITATION ON DAMAGES: THERE SHALL BE NO LIABILITY FOR ANY INCIDENTAL OR CONSEQUENTIAL DAMAGES FOR BREACH OF ANY EXPRESS OR IMPLIED WARRANTY OR CONDITION ON THIS PRODUCT.

DURATION OF IMPLIED WARRANTIES: EXCEPT TO THE EXTENT PROHIBITED BY APPLICABLE LAW, ALL IMPLIED WARRANTIES AND CONDITIONS, INCLUDING, WITHOUT LIMITATION, IMPLIED WARRANTIES AND CONDITIONS OF MERCHANTABILITY AND FITNESS FOR A PARTICULAR PURPOSE OR USE ON THIS PRODUCT ARE LIMITED IN DURATION TO THE DURATION OF THIS WARRANTY.

Some jurisdictions do not allow the exclusion or limitation of incidental or consequential damages, or allow limitations on how long an implied warranty lasts, so the above limitations or exclusions may not apply to you. This warranty gives you specific legal rights and you may have other rights under the laws of your jurisdiction.

For more information on our products, visit our website: www.maxim-toastmaster.com.

© 2006 Toastmaster Inc.
All Rights Reserved

Rev. 6/06
Printed in China



toastmaster®

11.

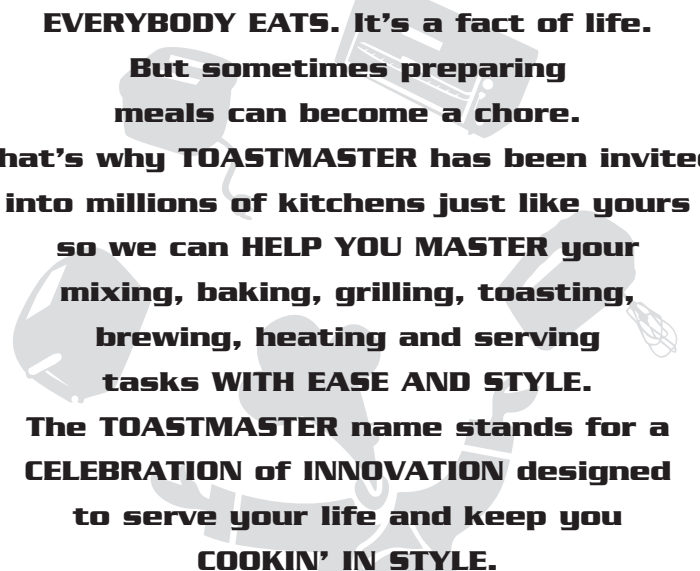
Keep Dated Sales Receipt for Warranty Service.

Keep this booklet. Record the following for reference:

Date purchased _____

Model number _____

Date code (stamped on bottom) _____



**EVERYBODY EATS. It's a fact of life.
But sometimes preparing
meals can become a chore.
That's why TOASTMASTER has been invited
into millions of kitchens just like yours
so we can HELP YOU MASTER your
mixing, baking, grilling, toasting,
brewing, heating and serving
tasks WITH EASE AND STYLE.
The TOASTMASTER name stands for a
CELEBRATION of INNOVATION designed
to serve your life and keep you
COOKIN' IN STYLE.**



toastmaster®

- 30 minute timer
- Cooks up to 4 hot dogs at once



Questions

Call toll free 1-800-233-9054

Monday–Friday, 8:00 a.m.-5:30 p.m. CST

www.maxim-toastmaster.com

TMHD1

Free Manuals Download Website

<http://myh66.com>

<http://usermanuals.us>

<http://www.somanuals.com>

<http://www.4manuals.cc>

<http://www.manual-lib.com>

<http://www.404manual.com>

<http://www.luxmanual.com>

<http://aubethermostatmanual.com>

Golf course search by state

<http://golfingnear.com>

Email search by domain

<http://emailbydomain.com>

Auto manuals search

<http://auto.somanuals.com>

TV manuals search

<http://tv.somanuals.com>