

Chopster™ Food Chopper

U S E A N D C A R E G U I D E
Models 1118, 1118CAN, 1118IB



READ AND SAVE THESE INSTRUCTIONS

WARNING: A risk of fire and electrical shock exists in all electrical appliances and may cause personal injury or death. Please follow all safety instructions.

IMPORTANT SAFEGUARDS

When using electrical appliances, basic safety precautions should always be followed including the following:

- ◆ Read all instructions before using appliance.
- ◆ Do not immerse motor base, cord or plug in water or other liquid. See instructions for cleaning.
- ◆ This appliance is not for use by children.
- ◆ Close supervision is necessary when this appliance is used near children.
- ◆ Unplug from outlet when not in use, before putting on or taking off parts, and before cleaning.
- ◆ Avoid contacting moving parts.
- ◆ Do not operate any damaged appliance. Do not operate with a damaged cord or plug, or if the appliance malfunctions, or has been dropped or damaged in any manner. Contact consumer service for return authorization for examination, repair, electrical or mechanical adjustment.
- ◆ Use attachments only if recommended by Toastmaster Inc., as this may cause the risk of injury to persons.
- ◆ Do not use outdoors or while standing in a damp area.
- ◆ Do not let cord hang over edge of table or counter, or touch hot surfaces.
- ◆ Do not place on or near a hot gas or electric burner, or in a heated oven.
- ◆ This appliance is intended for processing small quantities of food for immediate consumption. It is not intended to prepare large quantities of food at one time.
- ◆ Blades are sharp. Handle carefully.
- ◆ To reduce the risk of injury, be certain bowl, blade and lid are securely locked in place before operating appliance.
- ◆ Do not attempt to defeat the lid interlock mechanism.



- ◆ Never place cutting blade on motor base without first putting bowl properly in place.
- ◆ Use appliance only as indicated in these instructions.
- ◆ Do not use appliance for other than intended use.

SAVE THESE INSTRUCTIONS

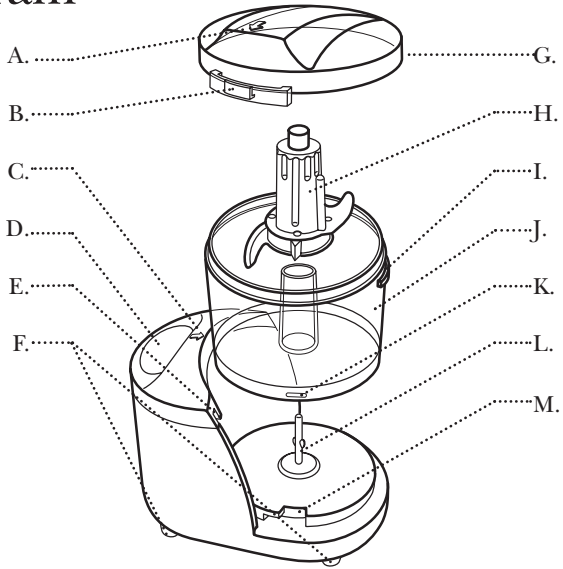
CAUTION: A short power supply cord is provided to reduce the risk of personal injury resulting from becoming entangled in or tripping over a longer cord. Extension cords are available from local hardware stores and may be used if care is exercised in their use. If an extension cord is required, special care and caution is necessary. Also, the cord must be: (1) marked with an electrical rating of 125 V ~ and at least 10 A, 1250 W, and (2) the cord must be arranged so that it will not drape over the countertop or tabletop where it can be pulled on by children or tripped over accidentally.

POLARIZED PLUG: This appliance has a polarized plug, (one blade is wider than the other). As a safety feature to reduce the risk of electrical shock, this plug is intended to fit in a polarized outlet only one way. If the plug does not fit fully in the outlet, reverse the plug. If it still does not fit, contact a qualified electrician. Do not attempt to defeat this safety feature.

This product is for household use only.

Product Diagram

- A. Arrow on Lid
- B. Lid Locking Tabs
- C. Arrow on Base
- D. PULSE/ON Button
- E. Lid Locking Slot
- F. Skid Resistant Feet (P/N 70678)
- G. Lid (P/N 70679)
- H. Steel Chopping /Mincing Blades (P/N 70680)
- I. Bowl Tabs
- J. See-through Bowl (P/N 70681)
- K. Bowl Lid Tabs
- L. Drive Shaft
- M. Bowl Notches



Product may vary slightly from illustration.

Using Your Chopster™ Food Chopper

The bowl holds up to 1 ½ cups of food. Cut food into uniform ½ inch pieces before processing. Do not overfill. Some foods may require processing in smaller quantities.

Foods that may be processed in your Chopster™ include: bread and dry cereal; hard cheese such as Romano & Parmesan; crackers, cookies and chocolate baking bars; hard boiled eggs; fresh herbs; soft nuts such as pecans and walnuts; and fruits and vegetables such as apples, pears, celery, onion, carrots, garlic, ginger, pickles and radishes.

1. Remove all packaging materials before using.
2. Before using, wash lid, blade and bowl in warm soapy water; rinse and dry thoroughly. See Cleaning Instructions.



CAUTION: Blades are sharp, handle with care. Do not immerse motor base in water or other liquids.

3. Place bowl without lid and blades on base. Line up Bowl Tabs with notches in base and turn clockwise to lock into position.
4. Lower blade over Drive Shaft in bowl, rotating if necessary to drop into place.
5. Cut food into ½ inch uniform pieces and place up to 1½ cups into bowl.
6. Place lid on the bowl. Slide Lid Locking Tab into Lid Locking Slot and turn until the raised arrows are aligned and the lid clicks into place.

NOTE: The Chopster™ will not operate unless the lid locking tab is correctly inserted into the lid locking slot.

7. Plug into a 120V ~ 60Hz outlet.
8. To start, press the PULSE/ON button for 3-5 seconds and then release; the motor will stop. Repeat pulse for a finer consistency. If Chopster™ does not start, repeat steps 3-5 above.
9. When finished chopping, unplug the unit and allow blades to stop rotating before disassembling.
10. Turn the lid counterclockwise and remove. Carefully grasp stem of blade and lift out of bowl. Turn bowl counterclockwise to release and lift off base.
11. Remove chopped food from bowl.

Helpful Hints

- ◆ Be careful not to over-process. Most foods require only 3-10 seconds.
- ◆ Process up to 1½ cups of food at a time. If larger quantities are desired, process in several small batches.
- ◆ If food is not chopping into even-sized pieces, remove some of it from the bowl and process smaller quantities at a time.

- ◆ Do not attempt to process extremely hard foods. Any foods that are difficult to cut with a kitchen knife should not be used in the Chopster™.
- ◆ To avoid damage to the Chopster™, remove any bones, pits and hard shells before processing.
- ◆ The Chopster™ is not designed for processing liquids or foods with a high liquid content.

User Maintenance Instructions

This appliance requires little maintenance. It contains no user serviceable parts. Do not try to repair it yourself. Refer it to a qualified appliance repair technician if servicing is needed.

Cleaning Instructions

CAUTION: Blades are sharp. Handle with care.

CAUTION: Never place motor base of appliance in water or other liquids.

1. Unplug and allow blades to stop rotating before disassembling.
2. Wash all removable parts in warm soapy water; rinse and dry thoroughly. Removable parts may also be placed on the top shelf of your dishwasher.
3. Clean exterior of motor base with a soft damp cloth and dry.



LIMITED ONE-YEAR WARRANTY

Warranty Coverage: This product is warranted to be free from defects in materials or workmanship for a period of one (1) year from the original purchase date. This product warranty is extended only to the original consumer purchaser of the product and is not transferable. For a period of one (1) year from the date of original purchase of the product, our Repair Center will, at its option, either (1) repair the product or (2) replace the product with a reconditioned comparable model. These remedies are the purchaser's exclusive remedies under this warranty.

Warranty Service: To obtain warranty service, you must call our warranty service number at 1-800-233-9054 for return instructions on how to deliver the product, in either the original packaging or packaging affording an equal degree of protection to the Repair Center specified below. You must enclose a copy of your sales receipt or other proof of purchase to demonstrate eligibility for warranty coverage.

To return the appliance, ship to:

ATTN: Repair Center
708 South Missouri Street
Macon, MO 63552 USA

To contact us, please write to, call, or email:

Consumer Relations Department
PO Box 7366
Columbia MO 65205-7366 USA
1-800-233-9054
E-mail:
consumer_relations@toastmaster.com

What Is Not Covered: This warranty does not cover damage resulting from misuse, accident, commercial use, improper service or any other damage caused by anything other than defects in material or workmanship during ordinary consumer use. This warranty is invalid if the serial number has been altered or removed from the product. This warranty is valid only in the United States and Canada.

LIMITATION ON DAMAGES: THERE SHALL BE NO LIABILITY FOR ANY INCIDENTAL OR CONSEQUENTIAL DAMAGES FOR BREACH OF ANY EXPRESS OR IMPLIED WARRANTY OR CONDITION ON THIS PRODUCT.

DURATION OF IMPLIED WARRANTIES: EXCEPT TO THE EXTENT PROHIBITED BY APPLICABLE LAW, ALL IMPLIED WARRANTIES AND CONDITIONS, INCLUDING, WITHOUT LIMITATION, IMPLIED WARRANTIES AND CONDITIONS OF MERCHANTABILITY AND FITNESS FOR A PARTICULAR PURPOSE OR USE ON THIS PRODUCT ARE LIMITED IN DURATION TO THE DURATION OF THIS WARRANTY.

Some jurisdictions do not allow the exclusion or limitation of incidental or consequential damages, or allow limitations on how long an implied warranty lasts, so the above limitations or exclusions may not apply to you. This warranty gives you specific legal rights and you may have other rights under the laws of your jurisdiction.

For more information on our products, visit our website: www.maxim-toastmaster.com.

Keep Dated Sales Receipts for Warranty Service.

Keep this booklet. Record the following for reference:

Date purchased _____

Model number _____

Date code (stamped on bottom) _____

EVERYBODY EATS. It's a fact of life.

**But sometimes preparing
meals can become a chore.**

**That's why TOASTMASTER has been invited
into millions of kitchens just like yours
so we can HELP YOU MASTER your
mixing, baking, grilling, toasting,
brewing, heating and serving
tasks WITH EASE AND STYLE.**

**The TOASTMASTER name stands for a
CELEBRATION of INNOVATION designed
to serve your life and keep you
COOKIN' IN STYLE.**





toastmaster®

- Large 1½ cup capacity.
- Removable stainless steel blades.
- Durable dishwasher safe bowl, lid and blade.
- Safety lock-in lid.
- Push button operation.



Questions

Call toll free 1-800-947-3744

Monday–Friday, 8:00 a.m.-5:30 p.m. CST

www.maxim-toastmaster.com

1118, 1118CAN, 1118IB

Free Manuals Download Website

<http://myh66.com>

<http://usermanuals.us>

<http://www.somanuals.com>

<http://www.4manuals.cc>

<http://www.manual-lib.com>

<http://www.404manual.com>

<http://www.luxmanual.com>

<http://aubethermostatmanual.com>

Golf course search by state

<http://golfingnear.com>

Email search by domain

<http://emailbydomain.com>

Auto manuals search

<http://auto.somanuals.com>

TV manuals search

<http://tv.somanuals.com>