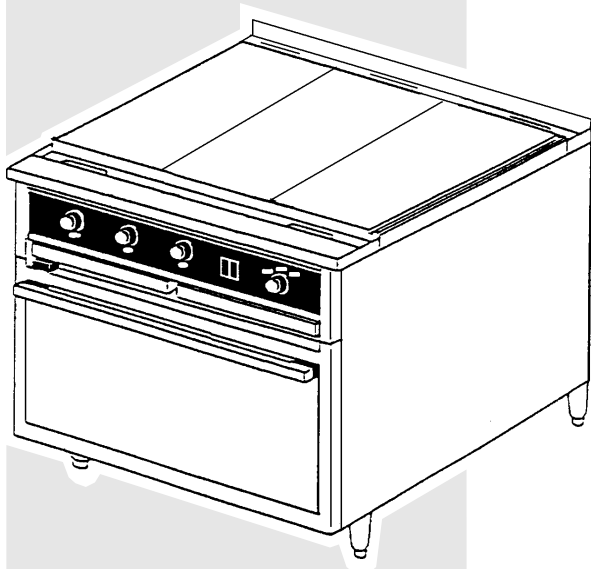


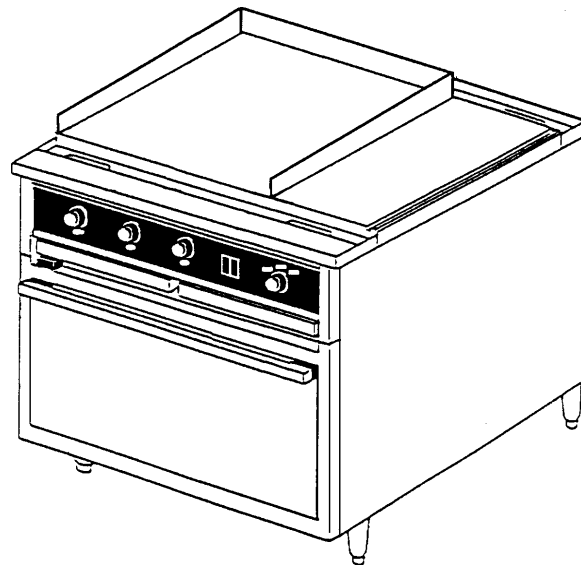


RA36C/RA36D/RA36M (Eng)

# *parts manual*



**RA36C/RA36D/RA36M  
RANGES**



P/N 38592  
Rev. B • V1 • 9/98

## NOTES:

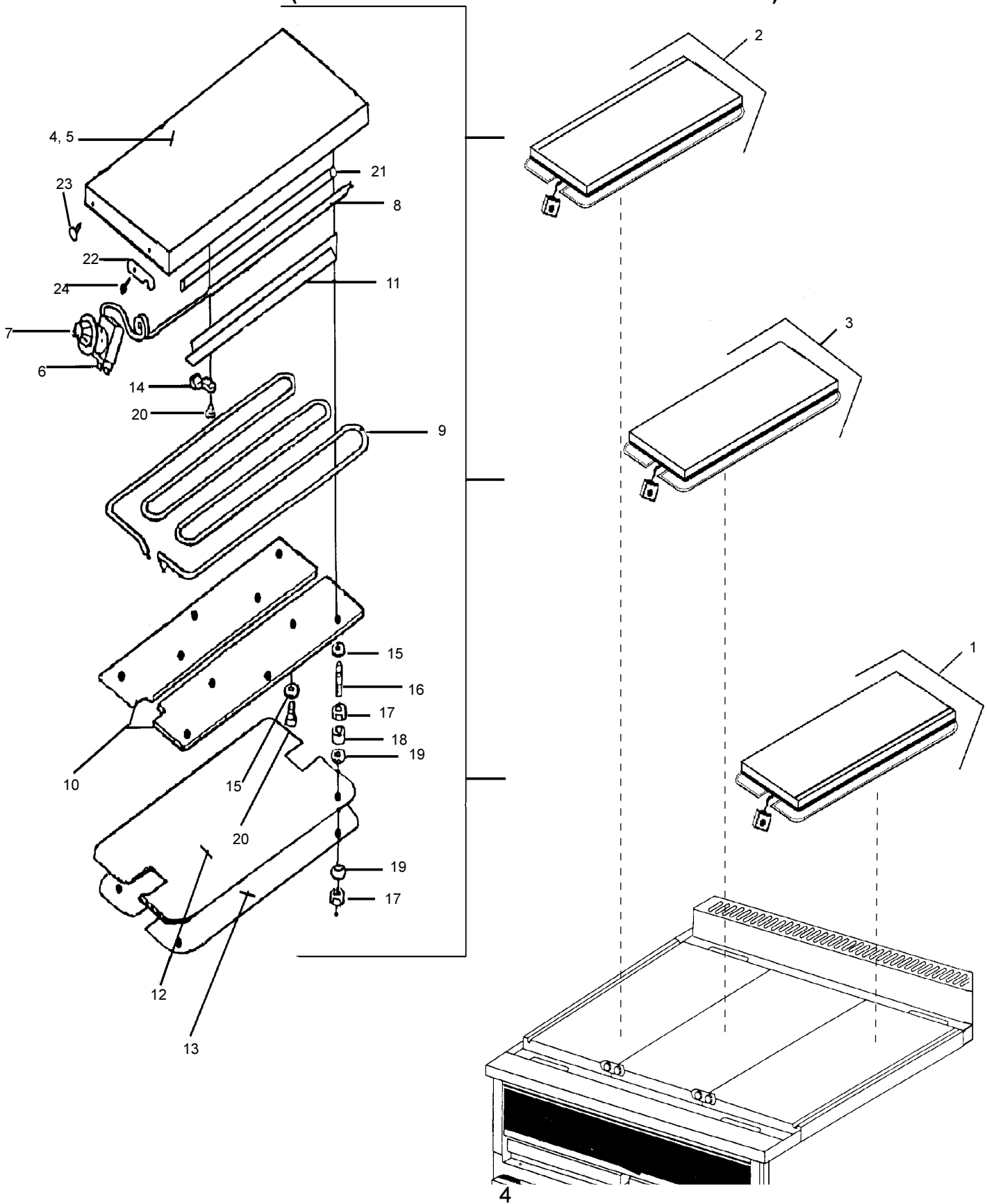
# TABLE OF CONTENTS

RA36C1, D1 & M1 12 X 24 HOT PLATE TOP ASSEMBLY (THERMOSTATIC CONTROLLER 250-800°F/121-427°C) .....	4-5
RA36C2, D2 & M2 COMBINATION 12 X 24 HOT PLATES & ROUND HOT TOPS .....	6-7
RA36C3, D3 & M3 GRIDDLE TOP ASSEMBLY .....	8
RA36C4, D4 & M4 ROUND HOT PLATE TOP ASSEMBLY .....	9
RA36C5, D5 & M5 12 X 24 HOT PLATE TOP ASSEMBLY (3-HEAT SWITCH CONTROLLER) .....	10-11
RA36C6, D6 & M6 COMBO - 24 X 24 GRIDDLE AND ROUND HOT TOP ASSEMBLY .....	12-13
RA36C7, D7 & M7 COMBO - 24 X 24 GRIDDLE AND 12 X 24 HOT PLATE TOP ASSEMBLY .....	14-15
RA 36 CONVECTION OVEN ASSEMBLY .....	16-17
RA36 CONVECTION & DECK OVEN RANGE TOP PARTS LIST AND ASSEMBLY .....	18
RA36 OVEN CONTROL PANEL PARTS LIST AND ASSEMBLY .....	19
RA36 SIGNAL LIGHTS PARTS LIST .....	20
RA36 CONTROL PANEL AND NAMEPLATE PARTS LISTS .....	21
RA36 DECK OVEN PARTS LIST AND ASSEMBLY .....	22
RA36 MARINE UNIT SPECIAL FEATURES .....	23

# RA36C1, D1 & M1

## 12 x 24 Hot Plate Top Assembly

(Thermostatic Controller 250-800°F/121-427°C)



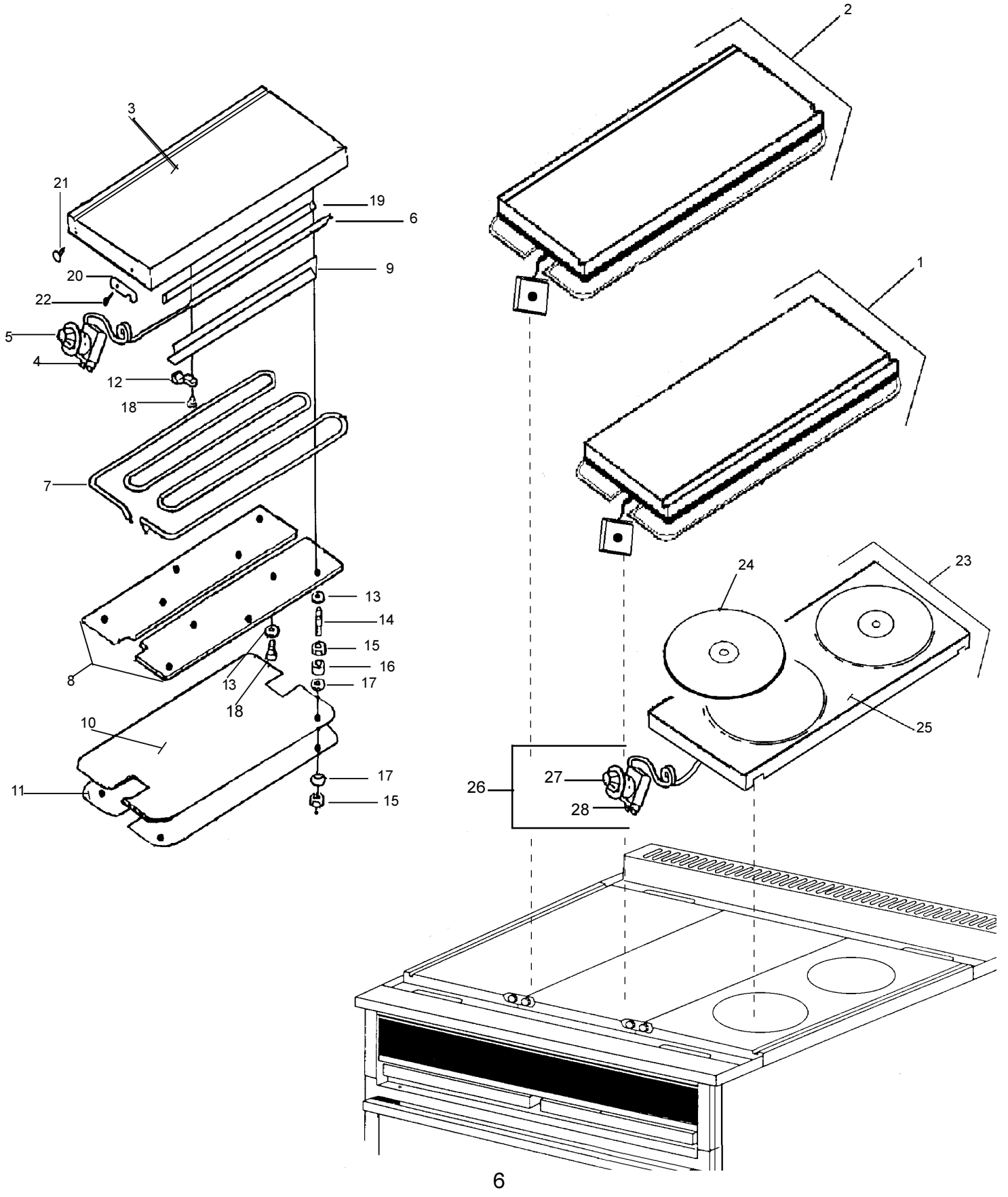
# RA36C1, D1 & M1

## 12 x 24 Hot Plate Top Assembly Parts List (Thermostatic Controller 250-800°F/121-427°C)

Item No.	Qty.	Part No.	Description
1	1	7600083S	Assembly, 12 x 24 Hot Plate - Right Drain, 208V
1	1	7600084S	Assembly, 12 x 24 Hot Plate - Right Drain, 240V
1	1	7600085	Assembly, 12 x 24 Hot Plate - Right Drain, 380V
1	1	7600086S	Assembly, 12 x 24 Hot Plate - Right Drain, 480V
2	1	7600087S	Assembly, 12 x 24 Hot Plate - Left Drain, 208V
2	1	7600088S	Assembly, 12 x 24 Hot Plate - Left Drain, 240V
2	1	7600089	Assembly, 12 x 24 Hot Plate - Left Drain, 380V
2	1	7600090S	Assembly, 12 x 24 Hot Plate - Left Drain, 480V
3	1	7600074S	Assembly, 12 x 24 Hot Plate - Center, 208V
3	1	7600075S	Assembly, 12 x 24 Hot Plate - Center, 240V
3	1	7600076	Assembly, 12 x 24 Hot Plate - Center, 380V
3	1	7600077S	Assembly, 12 x 24 Hot Plate - Center, 480V
4	2	20A2G8	12 x 24 Hot Plate - Left or Right Drain
5	1	20A2G9	12 x 24 Hot Plate - Center [no drain]
6	3	3004281	Thermostat, Hot Plate 250° - 850°F
7	3	2100094	Knob, Thermostat 250° - 850°F
8	3	34191	Thermostat Sleeve
9	3	F706A8703	Heating Element, 208V/5200W
9	3	F706A8731	Heating Element, 240V/5300W
9	3	F706A8708	Heating Element, 380V/5300W
9	3	F706A8729	Heating Element, 480V/5300W
10	6	20A2G1	Clamp Plate, Heating Element
11	3	7007257	Angle Clamp, Thermostat Bulb
12	3	8500079S	Insulation
13	3	F706A1017	Baffle
14	9	F70681013	Clamp, Thermostat Bulb
15	30	F706A8809	Washer, Flat, 11/32" x 1-1/4"
16	12	2001184	Stud, Threaded, 1/4-20 x 1-3/4"
17	24	F706A8807	Hex Nut, Brass, 1/4-20
18	12	F706A8811	Spacer
19	30	F706A8805	Lockwasher, Extnl Star, 1/4" i.d. x 5/8" o.d.
20	27	F716A8803	Cap Screw, 1/4-20 x 3/8"
21	2	20A1G8	Key Strip (Center Assembly Only)
22	4	20A2G6	Latch Plate
23	4	20A2G7	Screw, Latch Plate, 7/16-14 x 3/4"
24	4	20A1G7	Pin, Latch Plate

# RA36C2, D2 & M2

## Combination 12 x 24 Hot Plates & Round Hot Tops



# RA36C2, D2 & M2

## Combination 12 x 24 Hot Plates & Round Hot Tops Parts List

Item No.	Qty.	Part No.	Description
1	1	7600083S	Assembly, 12 x 24 Hot Plate - Right Drain, 208V
1	1	7600084S	Assembly, 12 x 24 Hot Plate - Right Drain, 240V
1	1	7600085	Assembly, 12 x 24 Hot Plate - Right Drain, 380V
1	1	7600086S	Assembly, 12 x 24 Hot Plate - Right Drain, 480V
2	1	7600087S	Assembly, 12 x 24 Hot Plate - Left Drain, 208V
2	1	7600088S	Assembly, 12 x 24 Hot Plate - Left Drain, 240V
2	1	7600089	Assembly, 12 x 24 Hot Plate - Left Drain, 380V
2	1	7600090S	Assembly, 12 x 24 Hot Plate - Left Drain, 480V
3	2	20A2G8	12 x 24 Hot Plate - Left or Right Drain
4	2	3004281	Thermostat, Hot Plate 250° - 850°F
5	2	2100094	Knob, Thermostat 250° - 850°F
6	2	34191	Thermostat Sleeve
7	2	F706A8703	Heating Element, 208V/5200W
7	2	F706A8731	Heating Element, 240V/5300W
7	2	F706A8729	Heating Element, 480V/5300W
8	4	20A2G1	Clamp Plate, Heating Element
9	2	7007257	Angle Clamp, Thermostat Bulb
10	2	8500079S	Insulation
11	2	F706A1017	Baffle
12	6	F70681013	Clamp, Thermostat Bulb
13	20	F706A8809	Washer, Flat, 11/32" x 1-1/4"
14	8	2001184	Stud, Threaded, 1/4-20 x 1-3/4"
15	16	F706A8807	Hex Nut, Brass, 1/4-20
16	8	F706A8811	Spacer
17	16	F706A8805	Lockwasher, Extnl Star, 1/4" i.d. x 5/8" o.d.
18	18	F716A8803	Cap Screw, 1/4-20 x 3/8"
19	1	20A1G8	Key Strip
20	2	20A2G6	Latch Plate
21	2	20A2G7	Screw, Latch Plate, 7/16-14 x 3/4"
22	2	20A1G7	Pin, Latch Plate
23	1	20B2A312S*	Assembly, Twin EGO Hotplates and Panel, 208V/2000W
23	1	34797*	Assembly, Twin EGO Hotplates and Panel, 208V/2600W
23	1	20B2A313*	Assembly, Twin EGO Hotplates and Panel, 240V/2000W
23	1	33850*	Assembly, Twin EGO Hotplates and Panel, 240V/2600W
23	1	20B2A314	Assembly, Twin EGO Hotplates and Panel, 380V/2000W
23	1	20B2A315S	Assembly, Twin EGO Hotplates and Panel, 480V/2000W
24	2	20B2E40*	Round EGO Hotplate, 208V/2000W
24	2	1132B8701*	Round EGO Hotplate, 208V/2600W
24	2	20B2E41*	Round EGO Hotplate, 240V/2000W
24	2	1132B8703*	Round EGO Hotplate, 240V/2600W
24	2	20B2E46	Round EGO Hotplate, 380V/2000W
24	2	20B2E47	Round EGO Hotplate, 480V/2000W
25	1	7610114	Twin Hotplate Panel
26	2	34414	3-Heat Switch Kit
27	2	33432	Knob, 3-Heat Switch
28	2	32941	3-Heat Switch Only
27	2	A710E8759	4-Pos. Knob (Units made prior to 5/96)
28	2	4111A8733**	3-Heat Switch (Units made prior to 5/96)

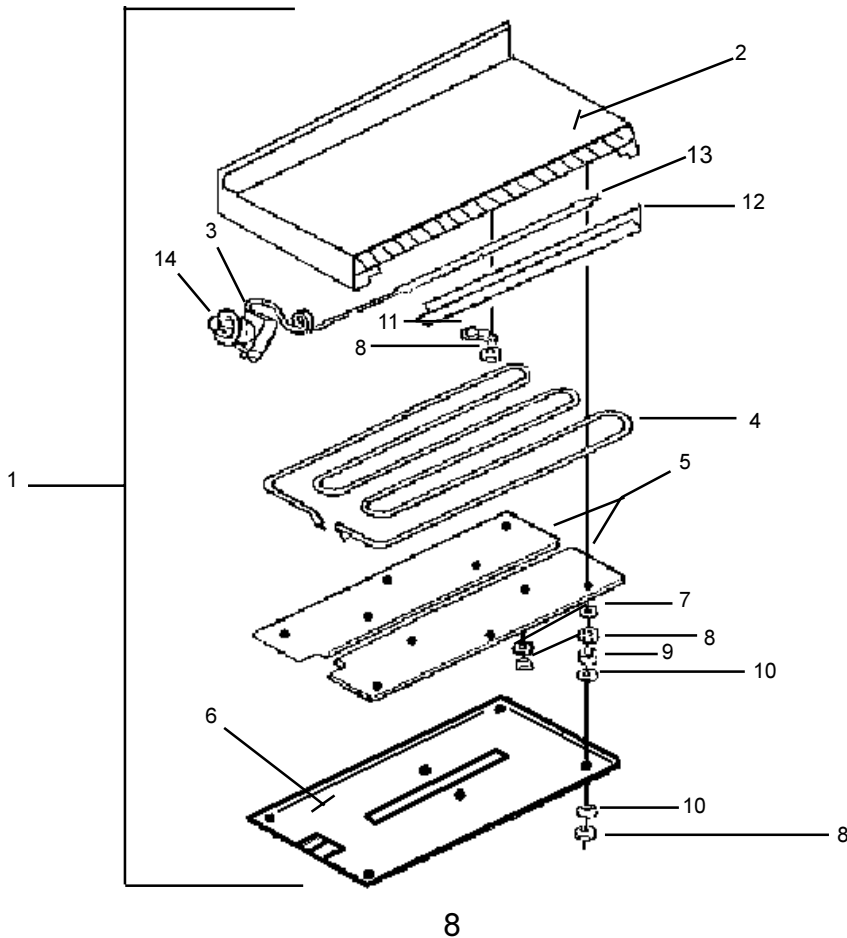
\*208 and 240V Units made prior to 7/94 are rated at 4.0 KW (2 x 2000W Hot Plates). All 208 and 240V units made after 7/94 are given a 5.2 KW (2 x 2600W Hot Plates) rating. Check the wattage rating on your unit's nameplate before ordering.

\*\*This switch is no longer available and should be replaced with Item No. 26.

# RA36C3, D3 & M3

## Griddle Top Assembly and Parts List

Item No.	Qty.	Part No.	Description
1	1	20G1A32	Assembly, 36 x 24 Griddle Plate, 208V
1	1	20G1A302	Assembly, 36 x 24 Griddle Plate, 240V
1	1	20G1A127	Assembly, 36 x 24 Griddle Plate, 380V
1	1	20G1A306	Assembly, 36 x 24 Griddle Plate, 480V
2	1	20G1A306	36 x 24 Griddle Plate Only
3	4	3004257	Thermostat
4	4	7D1E1	Heating Element, 208V/4125W
4	4	7D1E29	Heating Element, 240V/4125W
4	4	7D1E26	Heating Element, 380V/4125W
4	4	7D1E28	Heating Element, 480V/4125W
5	4	20G1A37	Element Clamp Plate
6	4	20G1A38	Element Baffle
7	24	F706A8809	Washer, 11/32" x 1 1/4"
8	48	F706A8807	Hex Nut, 1/4-20
9	24	F706A8811	Spacer
10	28	F706A8805	Lockwasher, 1/4" i.d. x 5/8" o.d.
11	4	7002270	Thermostat Bulb Clamp
12	2	7007257	Angle Clamp, Thermostat Bulb
13	4	34191	Thermostat Sleeve
14	4	2100059	Control Knob, Thermostat, 150-450°F





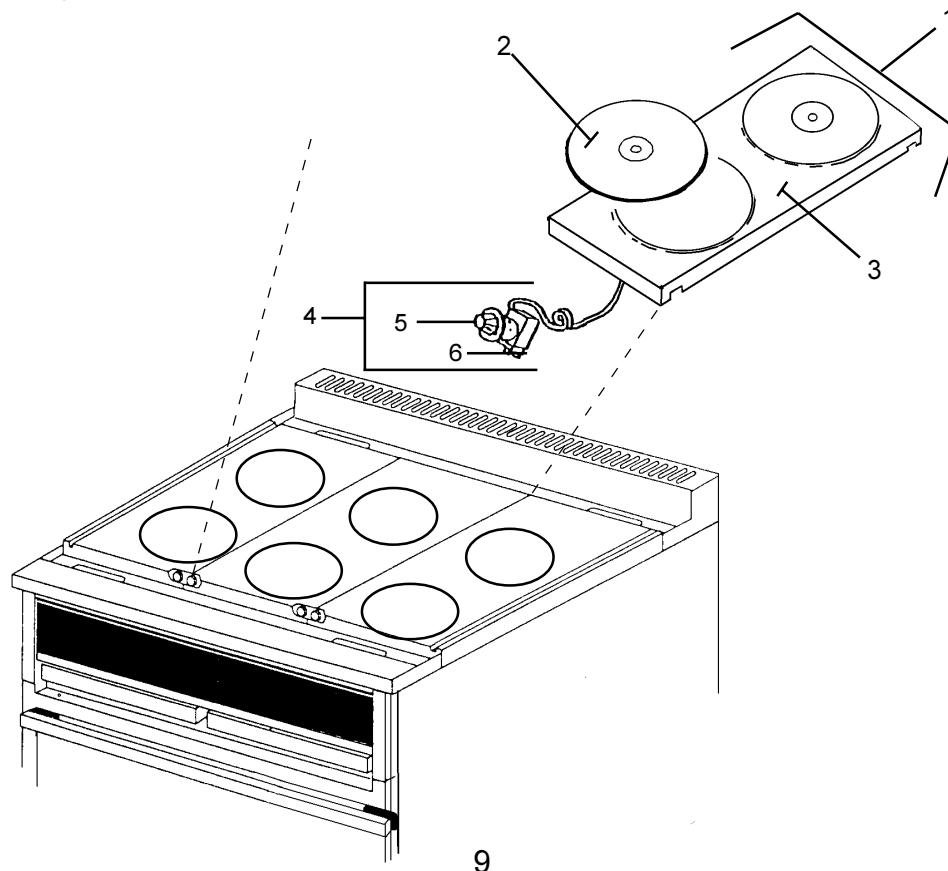
# RA36C4, D4 & M4

## Round Hot Plate Top Assembly and Parts List

Item No.	Qty.	Part No.	Description
1	3	20B2A312S*	Assembly, Twin EGO Hotplates and Panel, 208V/2000W
1	3	34797*	Assembly, Twin EGO Hotplates and Panel, 208V/2600W
1	3	20B2A313*	Assembly, Twin EGO Hotplates and Panel, 240V/2000W
1	3	33850*	Assembly, Twin EGO Hotplates and Panel, 240V/2600W
1	3	20B2A314	Assembly, Twin EGO Hotplates and Panel, 380V/2000W
1	3	20B2A315	Assembly, Twin EGO Hotplates and Panel, 480V/2000W
2	6	20B2E40*	Round EGO Hotplate, 208V/2000W
2	6	1132B8701*	Round EGO Hotplate, 208V/2600W
2	6	20B2E41*	Round EGO Hotplate, 240V/2000W
2	6	1132B8703*	Round EGO Hotplate, 240V/2600W
2	6	20B2E46	Round EGO Hotplate, 380V/2000W
2	6	20B2E47	Round EGO Hotplate, 480V/2000W
3	3	7610114	Twin Hotplate Panel
4	6	34414	3-Heat Switch Kit
5	6	33432	Knob, 3-Heat Switch
6	6	32941	3-Heat Switch Only
5	6	A710E8759	4-Pos. Knob (Units made prior to 5/96)
6	6	4111A8733**	3-Heat Switch (Units made prior to 5/96)

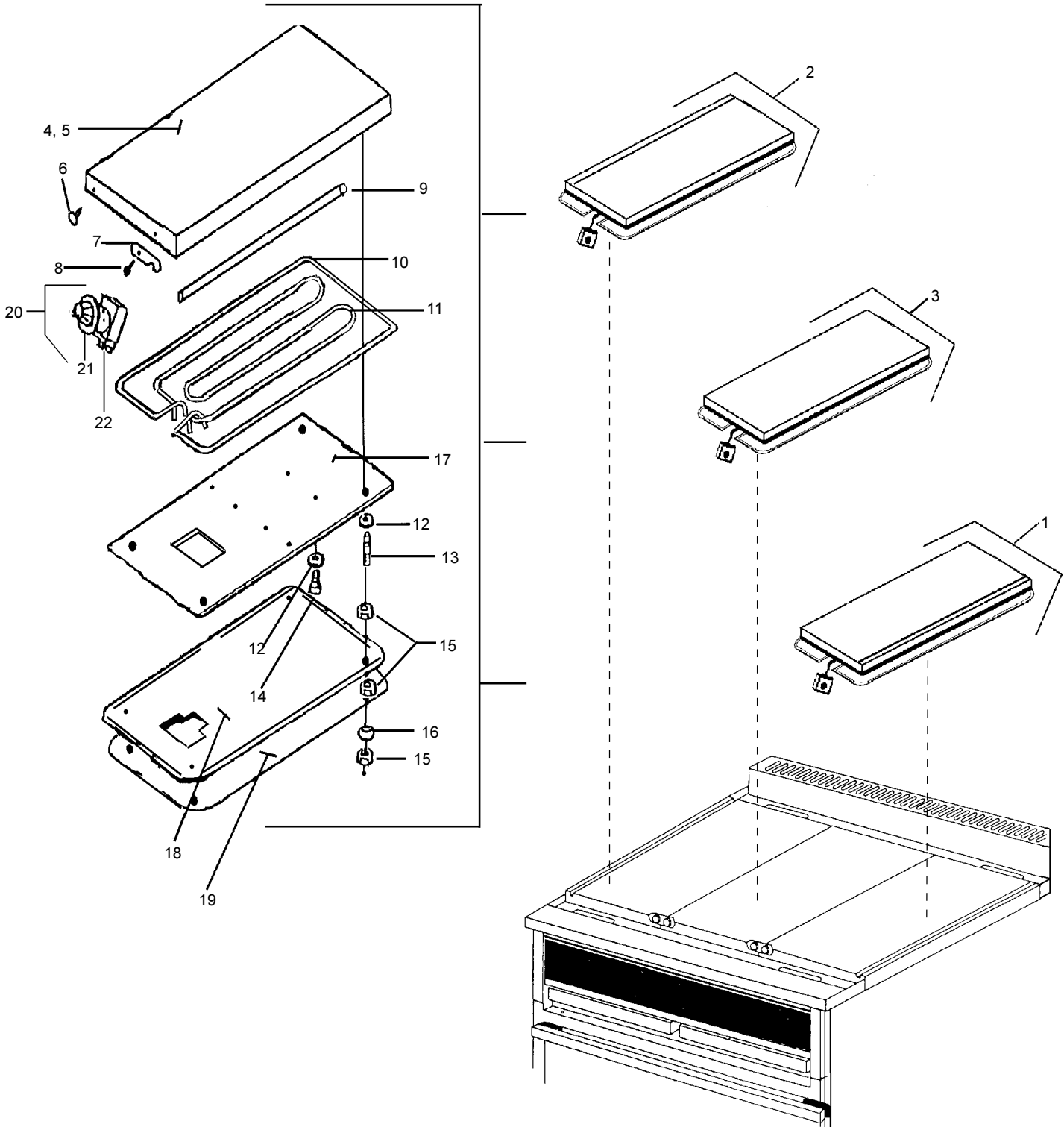
\*208 and 240V Units made prior to 7/94 are rated at 4.0 KW (2 x 2000W Hot Plates). All 208 and 240V units made after 7/94 are given a 5.2 KW (2 x 2600W Hot Plates) rating. Check the wattage rating on your unit's nameplate before ordering.

\*\*This switch is no longer available and should be replaced with Item No. 4.



# RA36C5, D5 & M5

## 12 x 24 Hot Plate Top Assembly (3-Heat Switch Controller)



# RA36C5, D5 & M5

## 12 x 24 Hot Plate Top Assembly (3-Heat Switch Controller) Parts List

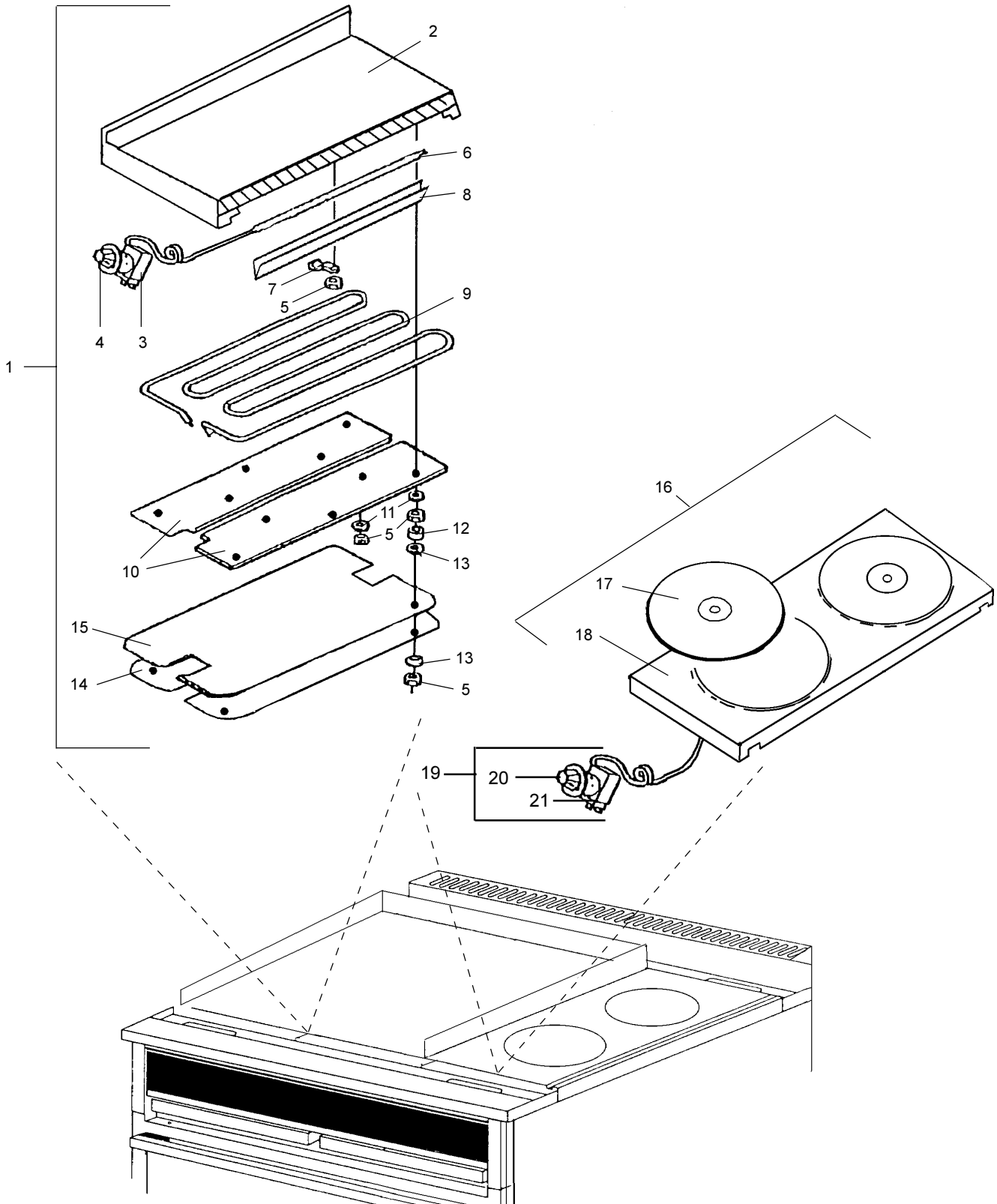
Item No.	Qty.	Part No.	Description
1	1	20M1A269	Assembly, 12 x 24 Hot Plate, Right, 208/240V
1	1	20M1A119*	Assembly, 12 x 24 Hot Plate, Right, 380V
1	1	20M1A270	Assembly, 12 x 24 Hot Plate, Right, 480V
2	1	20M1A273	Assembly, 12 x 24 Hot Plate, Left, 208/240V
2	1	20M1A121	Assembly, 12 x 24 Hot Plate, Left, 380V
2	1	20M1A274	Assembly, 12 x 24 Hot Plate, Left, 480V
3	1	20M1A271	Assembly, 12 x 24 Hot Plate, Center, 208/240V
3	1	20M1A120*	Assembly, 12 x 24 Hot Plate, Center, 380V
3	1	20M1A272	Assembly, 12 x 24 Hot Plate, Center, 480V
4	2	20A2G8	12 x 24 Hot Plate Only, Right or Left
5	1	20A2G9	12 x 24 Hot Plate Only, Center
6	4	20A2G7	Screw, Latch Plate
7	4	20A2G6	Latch Plate
8	4	20A1G7	Pin, Latch Plate
9	2	20A1G8	Key Strip (Center Assembly Only)
10	3	20M1E1	Outer Heating Element, 208V
10	3	20M1E33	Outer Heating Element, 240V
10	3	20M1E26*	Outer Heating Element, 380V
10	3	20M1E30	Outer Heating Element, 480V
11	3	20M1E5	Inner Heating Element, 208V
11	3	20M1E32	Inner Heating Element, 240V
11	3	20M1E27*	Inner Heating Element, 380V
11	3	20M1E31	Inner Heating Element, 480V
12	24	F706A8809	Washer, Flat, 11/32" x 1-1/4"
13	12	20M1G2	Stud, 1/4-20 x 1-7/8"
14	18	F716A8803	Cap Screw, 1/4-20 x 3/8"
15	48	B301A8817	Hex Nut, 1/4-20
16	30	F706A8805	Lockwasher, Extnl Star, 1/4" i.d. x 5/8" o.d.
17	3	20M1G3	Element Clamp Plate
18	3	20M1G4	Inner Baffle
19	3	20M1G1	Outer Baffle
20	3	34414	3-Heat Switch Kit
21	3	33432	Knob, 3-Heat Switch
22	3	32941	3-Heat Switch Only
21	3	A710E8759	4-Pos. Knob (Units made prior to 5/96)
22	3	4111A8733**	3-Heat Switch (Units made prior to 5/96)

\*No longer available.

\*\*This switch is no longer available and should be replaced with Item No. 20.

# RA36C6, D6 & M6

## Combo - 24 x 24 Griddle and Round Hot Top Assembly



# RA36C6, D6 & M6

## Combo - 24 x 24 Griddle and Round Hot Top Assembly Parts List

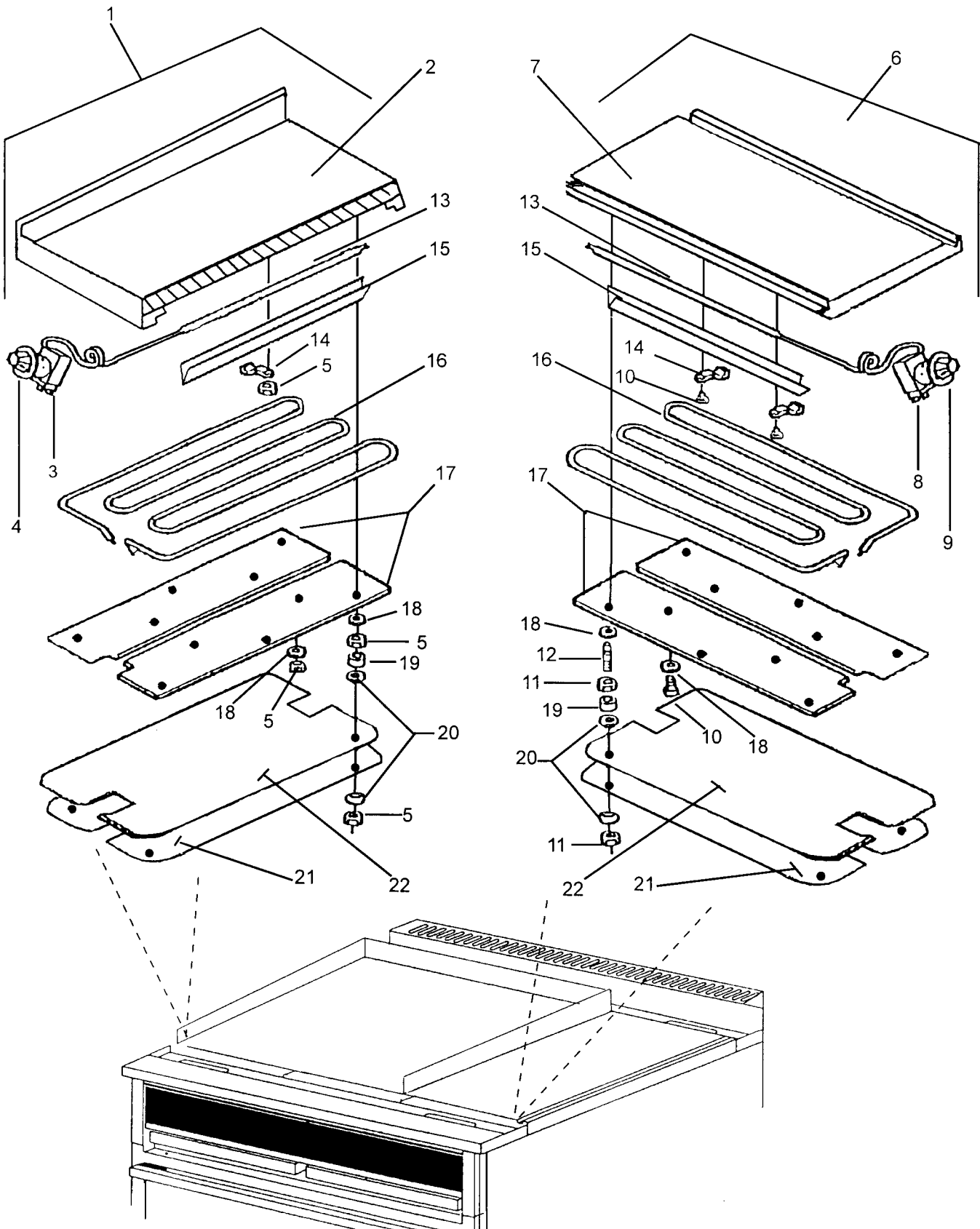
Item No.	Qty.	Part No.	Description
1	1	7603538	Assembly, 24 x 24 Griddle Plate, 208V
1	1	7603539	Assembly, 24 x 24 Griddle Plate, 240V
1	1	7603540	Assembly, 24 x 24 Griddle Plate, 380V
1	1	7603541	Assembly, 24 x 24 Griddle Plate, 480V
2	1	7603536	24 x 24 Griddle Plate Only
3	2	3004257	Control Thermostat, 150° - 450F°
4	2	2100059	Knob, Control Thermostat, 150° - 450°F
5	2	B301A8817	Hex Nut, 1/4-20
6	2	34191	Thermostat Sleeve
7	4	F706A1013	Clamp, Thermostat Bulb
8	2	7007257	Angle Clamp, Thermostat
9	2	F706A8703	Heating Element, 208V/5200W
9	2	F706A8731	Heating Element, 240V/5300W
9	2	F706A8708	Heating Element, 380V/5200W
9	2	F706A8729	Heating Element, 480V/5300W
10	4	20A2G1	Clamp Plate, Heating Element
11	20	F706A8809	Washer, Flat, 11/32" i.d. x 1-1/4" o.d.
12	8	F706A8811	Spacer
13	16	F706A8805	Lockwasher, Extnl Star, 1/4" i.d. x 5/8" o.d.
14	2	F706A1017	Baffle
15	2	8500079	Insulation
16	1	20B2A312S*	Assembly, Twin EGO Hotplates and Panel, 208V/2000W
16	1	34797*	Assembly, Twin EGO Hotplates and Panel, 208V/2600W
16	1	20B2A313*	Assembly, Twin EGO Hotplates and Panel, 240V/2000W
16	1	33850*	Assembly, Twin EGO Hotplates and Panel, 240V/2600W
16	1	20B2A314	Assembly, Twin EGO Hotplates and Panel, 380V/2000W
16	1	20B2A315	Assembly, Twin EGO Hotplates and Panel, 480V/2000W
17	2	20B2E40*	Round EGO Hotplate, 208V/2000W
17	2	1132B8701*	Round EGO Hotplate, 208V/2600W
17	2	20B2E41*	Round EGO Hotplate, 240V/2000W
17	2	1132B8703*	Round EGO Hotplate, 240V/2600W
17	2	20B2E46	Round EGO Hotplate, 380V/2000W
17	2	20B2E47	Round EGO Hotplate, 480V/2000W
18	1	7610114	Twin Hotplate Panel
19	2	34414	3-Heat Switch Kit
20	2	33432	Knob, 3-Heat Switch
21	2	32941	3-Heat Switch Only
20	2	A710E8759	4-Pos. Knob (Units made prior to 5/96)
21	2	4111A8733**	3-Heat Switch (Units made prior to 5/96)

\*All 208 and 240V units made prior to 7/94 are rated at 4.0 KW (2 x 2000W Hot Plates). All 208 and 240V units made after 7/94 are given a 5.2 KW (2 x 2600W Hot Plates) rating. Check the wattage rating on your unit's nameplate before ordering.

\*\*This switch is no longer available and should be replaced by Item No. 19.

# RA36C7, D7 & M7

Combo - 24 x 24 Griddle and 12 x 24 Hot Plate Top Assembly



# RA36C7, D7 & M7

## Combo - 24 x 24 Griddle and 12 x 24 Hot Plate Top Assembly Parts List

### GRIDDLE TOP ASSEMBLY

Item No.	Qty.	Part No.	Description
1	1	7603538	Assembly, 24 x 24 Griddle Plate, 208V
1	1	7603539	Assembly, 24 x 24 Griddle Plate, 240V
1	1	7603540*	Assembly, 24 x 24 Griddle Plate, 380V
1	1	7603541	Assembly, 24 x 24 Griddle Plate, 480V
2	1	7603536	24 x 24 Griddle Plate Only
3	2	3004257	Control Thermostat, 150° - 450°F
4	2	2100059	Knob, Control Thermostat, 150° - 450°F
5	26	B301A8817	Hex Nut, 1/4-20

### HOT PLATE ASSEMBLY

Item No.	Qty.	Part No.	Description
6	1	7601872	Assembly, 12 x 24 Hot Plate, 208V
6	1	7601873	Assembly, 12 x 24 Hot Plate, 240V
6	1	7601874*	Assembly, 12 x 24 Hot Plate, 380V
6	1	7601875	Assembly, 12 x 24 Hot Plate, 480V
7	1	20XA1G1	12 x 24 Plate Only [Drain Both Sides]
8	1	3004281	Control Thermostat, 250° - 850°F
9	1	2100094	Knob, Control Thermostat, 250° - 850°F
10	10	2000340	Cap Screw, 1/4-20 x 3/8"
11	8	F706A8807	Hex Nut, Brass, 1/4-20
12	4	2001184	Stud, 1/4-20 x 1-5/8"

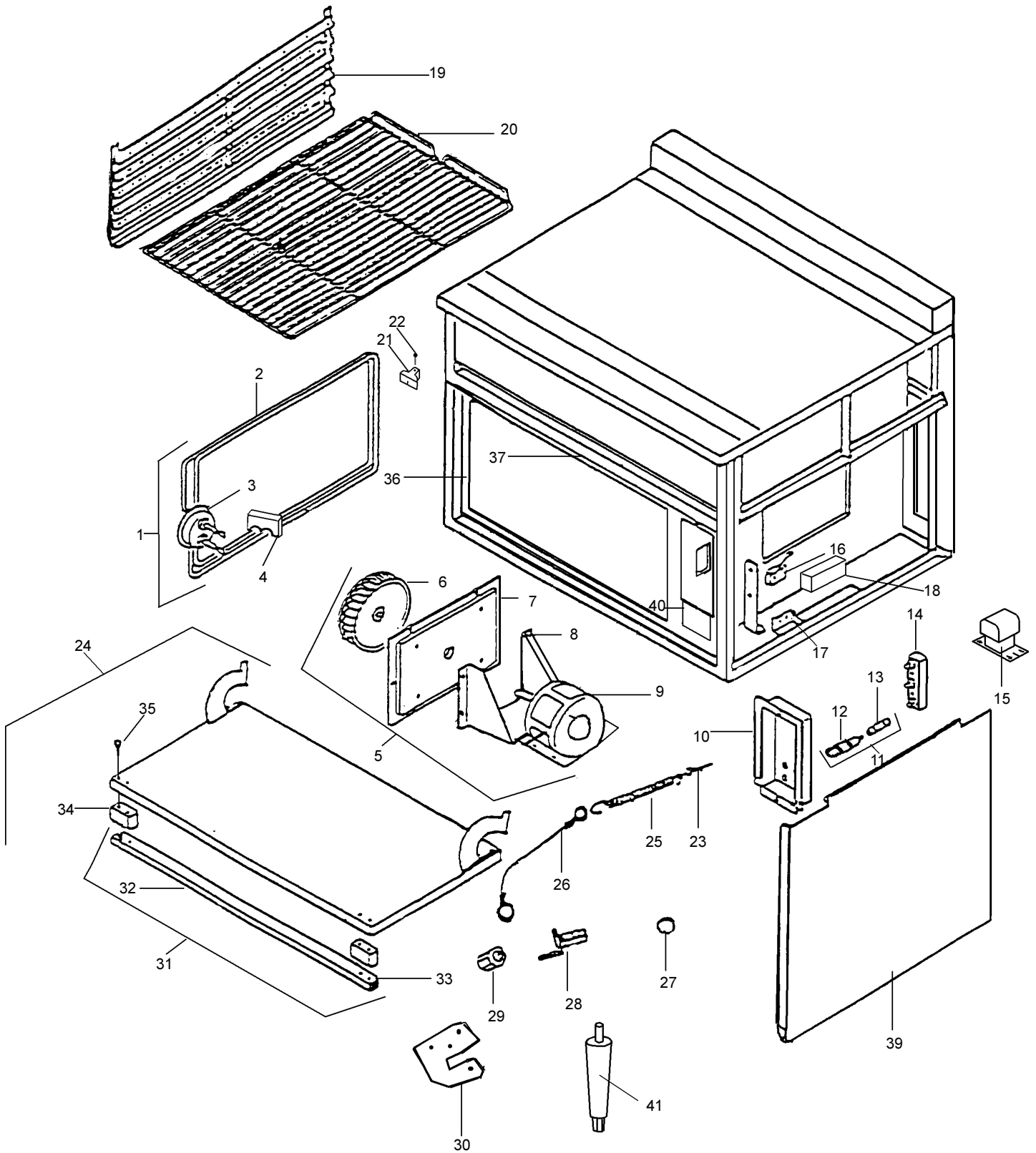
### SHARED PARTS, Griddle & Hot Plate Assemblies

Item No.	Qty.	Part No.	Description
	<b>Griddle / Hot Plate</b>		
13	2/1	34191	Thermostat Sleeve
14	4/2	F706A1013	Clamp, Thermostat Bulb
15	2/1	7007257	Angle Clamp, Thermostat Bulb
16	2/1	F706A8703	Heating Element, 208V/5200W
16	2/1	F706A8731	Heating Element, 240V/5300W
16	2/1	F706A8708	Heating Element, 380V/5200W
16	2/1	F706A8729	Heating Element, 480V/5300W
17	4/2	20A2G1	Clamp Plate, Heating Element
18	20/10	F706A8809	Washer, Flat, 11/32" i.d. x 1-1/4" o.d.
19	8/4	F706A8811	Spacer
20	16/10	F706A8805	Lockwasher, Extnl Star, 1/4" i.d. x 5/8" o.d.
21	2/1	F706A1017	Baffle
22	2/1	8500079	Insulation

\*No longer available

# RA 36

## Convection Oven Assembly





# RA36

## Convection Oven Parts List

Item No.	Qty.	Part No.	Description
1	1	3027A0063	Assembly, Heat Element & Cup, 208V/6000W
1	1	3027A0081	Assembly, Heat Element & Cup, 240V/6000W
1	1	3027A0069	Assembly, Heat Element & Cup, 380V/6000W
1	1	3027A0071	Assembly, Heat Element & Cup, 480V/6000W
2	1	3027A8701	Heating Element, 280V/6000W
2	1	3027A8711	Heating Element, 240V/6000W
2	1	3027A8705	Heating Element, 380V/6000W
2	1	3027A8709	Heating Element, 480V/6000W
3	1	3027A3081	Element Cup
4	4	3027A3083	Element Support
5	1	7608121	Motor Blower & Assembly, 208/240V
5	1	7800152*	Convertor Kit, Motor Blower & Assembly, 480V
6	1	3103902	Blower Wheel, 10" x 2 3/8"
7	1	7607766	Motor Mount & Insulation, Weldment
8	1	7004592	Motor Mounting Bracket
9	1	3002761	Motor, 1/3 HP, 208/240V
10	1	7600059	Fuse Bracket
11	2	1455A0339	Fuse Holder Assembly, 300V
11	2	1455A0341	Fuse Holder Assembly, 600V
12	2	1455A8735	Fuse Holder, 10 amp, 300V
12	2	1455A8737	Fuse Holder, 10 amp, 600V
13	2	1455A8793	Fuse, 10 amp, 300V
13	2	1455A8794	Fuse, 10 amp, 600V
14	1	1456A0109	Terminal Block (4-Terminal)
14	1	3027A0001	Terminal Block (3-Terminal)
15	1	3024A8706	Contactactor, 208/240V
15	1	3024A8708	Contactactor, 480V
16	1	7002704	Switch Lever Bracket, Blower
17	1	3003770	Microswitch, Blower
18	1	3004614	Motor Transformer (480V Units Only)
19	2	3102540	Side Rack, Left & Right
20	3	3102541	Shelf Assembly, 20 1/2" x 28 1/2"
21	1	2100053	"T" Vent Knob
22	1	2002305	Groove Pin
23	1	43685	Eye Bolt
24	1	7800114	Assembly, Oven Door (Units made prior to 2/85)
24	1	7608156	Assembly, Long Life Oven Door (Units made after 2/85)
25	1	436121	Door Spring
26	1	7606469	Cable Assembly, Door
27	2	2001831	Washer, 5/8" i.d.
28	1	7607845	Hinge Pin, Right
28	1	7607846	Hinge Pin, Left
29	2	3100324	Bearing, Hex Sleeve
30	2	3101810	Pivot Plate
31	1	7600027S	Assembly, Door Handle
32	1	7000056	Door Handle
33	2	3000061	End Caps, Handle, Black
34	2	3103164	Spacer Blocks, Door Handle
35	4	2000320	Screw, Door Handle, 10-32 x 3 1/2"
36	1	7608150	Door Seal, Left
37	1	7608148	Door Seal, Top
38	1	7608149	Door Seal, Right
39	1	7601391	Side Sheet, Right Case
39	1	7601389	Side Sheet, Left Case
40	1	7000135	Inspection Plate, Range
41	4	3101907**	Leg, 6" (152mm), adjustable

\* Converts 480V motors made prior to 1/86 to 208/240V. Kit includes all components of standard Heating Element & Cup assemblies.

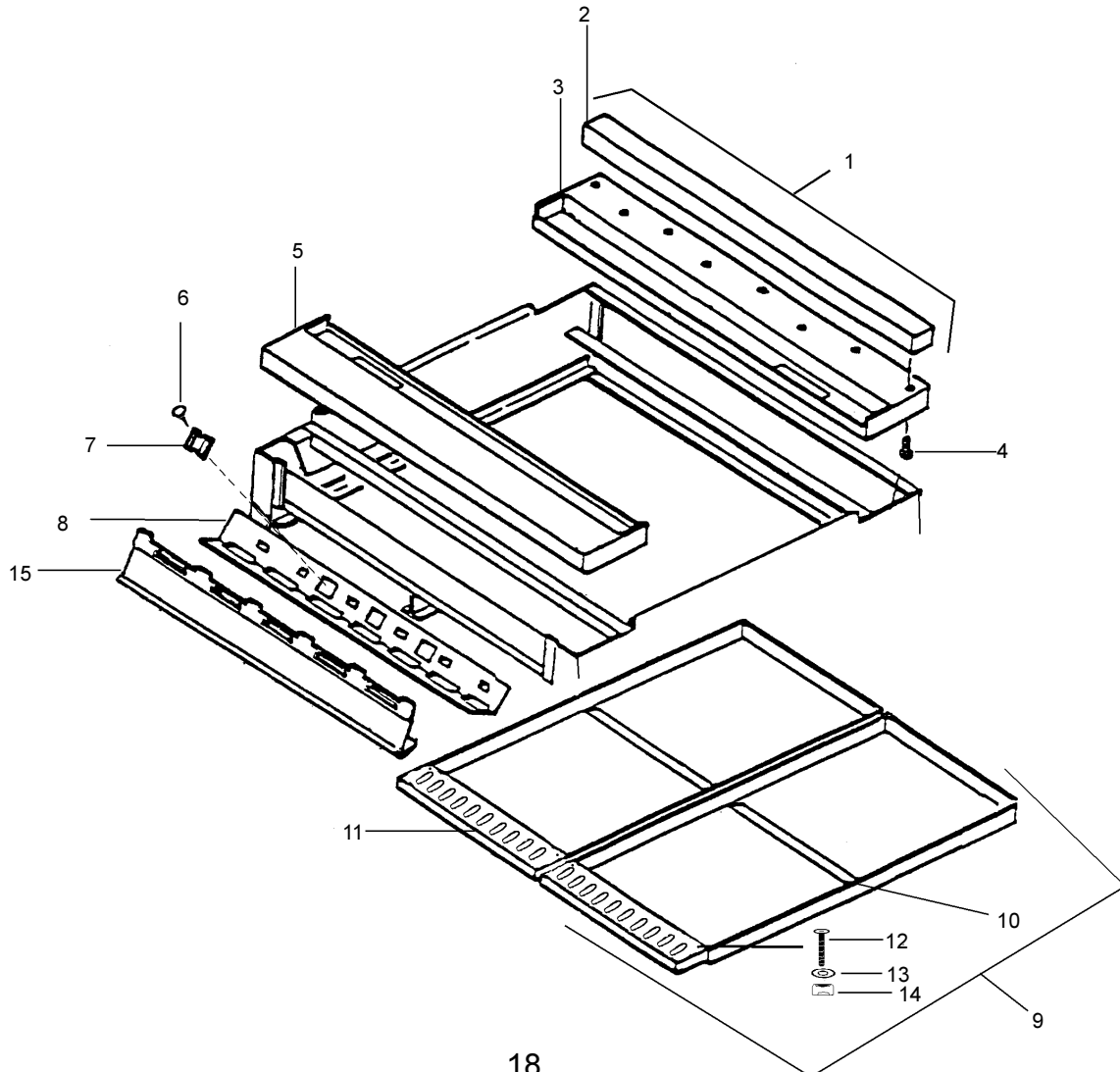
\*\* Refer to Page 23 for RA36 Marine Unit leg information.

# RA36 CONVECTION & DECK OVEN

## Range Top Parts List and Assembly

Item No.	Qty.	Part No.	Description
1	1	7601382	Rear Trough & Rail Assembly
2	1	7600051	Back Rail
3	1	7600049	Rear Trough
4	3	4111A8809	Hex Head Screw, 10-32 x 3/8"
5	1	7600048	Front Grease Trough
6	3	1411D8709	Grommet
7	3	7601445	Control Housing Cover
8	1	7000634	Control Housing
9	2	7601840	Assembly, Grease Drawer
10	2	7601838	Grease Drawer Only
11	2	7001735	Perforated Handle, Grease Drawer
12	4	2000199	Screw, 10-24 x 3/8"
13	4	220327	Lockwasher
14	4	30841	Nut, Acorn, 10-24
15	1	*	Control Panel

\*Complete parts lists and diagrams detailing Control Panel components begin on Page 20.



# RA36 OVEN

## Control Panel Parts List and Assembly

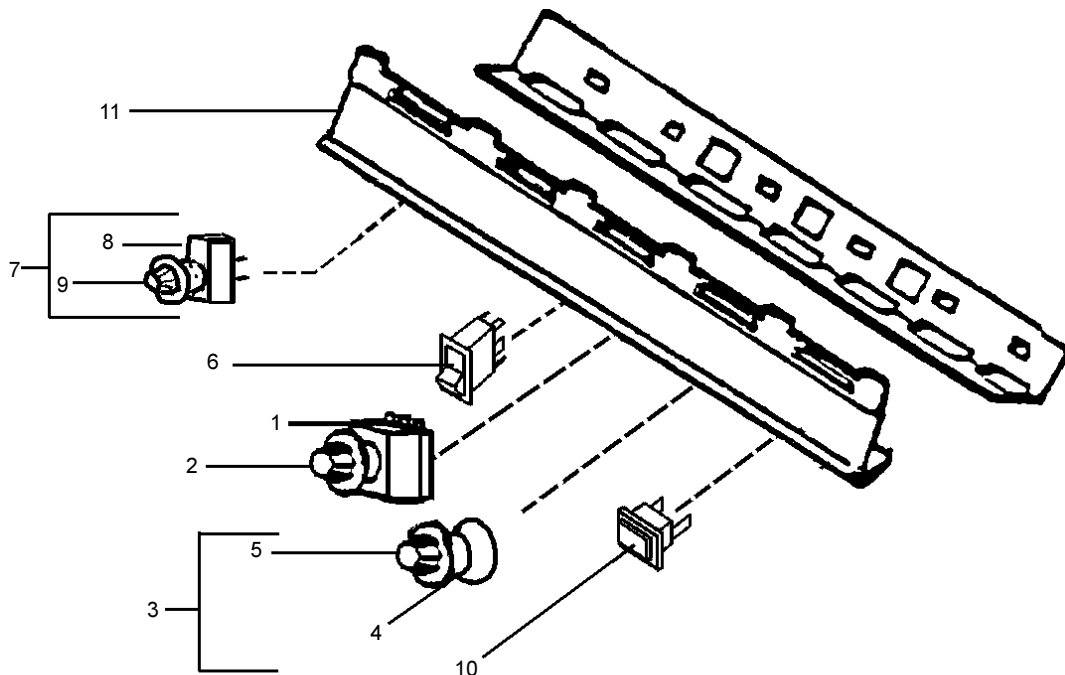
### CONVECTION OVEN

Item No.	Qty.	Part No.	Description
1	1	2662A8701	Thermostat, Convection, 150° - 450°F
2	1	A710E8771	Knob, Thermostat, 150° - 450°F
3	1	7609599	Assembly, Timer and Knob
4	1	3004536	Timer, Manual
5	1	2100088	Knob, Timer
6	1	3027A8715	Rocker Switch, On/Off/Cool
10*	1	3003138	Green Signal Light, On, 250V
10*	1	3003152	Green Signal Light, On, 480V
11*	1	-	Control Panel, Black Nameplate

### DECK OVEN

Item No.	Qty.	Part No.	Description
1	1	3004238	Thermostat, Deck Oven, 200° - 550°F
2	1	A710E8739	Knob, Thermostat, 200° - 550°F
6	1	3027A8715	Rocker Switch, On/Off/Cool
7	2	34414	Kit, 3-Heat Switch
8	2	32941	3-Heat Switch
9	2	33432	Knob, 3-Heat Switch
10*	1	3003137	Amber Signal Light, Heating, 250V
10*	1	3003153	Amber Signal Light, Heating, 480V
11*	1	-	Control Panel, Black Nameplate

\*A complete listing of all signal lights, control panels and nameplates begins on Page 20.



# RA36

## Signal Lights Parts List

<b>Model No.</b>	<b>Qty.</b>	<b>Part No.</b>	<b>Description</b>
C1, D1 & M1	1	3003141	Amber Signal Light, Right, 250
C1, D1 & M1	1	3003142	Amber Signal Light, Left, 250V
C1, D1 & M1	1	3003145	Amber Signal Light, Center, 250V
C1, D1 & M1	1	3003154	Amber Signal Light, Right, 480V
C1, D1 & M1	1	3003155	Amber Signal Light, Center, 480V
C1, D1 & M1	1	3003156	Amber Signal Light, Left, 480V
C2, D2 & M2	1	3003139	Green Signal Light, Rear, 250V
C2, D2 & M2	1	3003140	Green Signal Light, Front, 250V
C2, D2 & M2	1	3003141	Amber Signal Light, Right, 250V
C2, D2 & M2	1	3003142	Amber Signal Light, Left, 250V
C2, D2 & M2	1	3003154	Amber Signal Light, Right, 480V
C2, D2 & M2	1	3003156	Amber Signal Light, Left, 480V
C2, D2 & M2	1	3003157	Green Signal Light, Rear, 480V
C2, D2 & M2	1	3003158	Green Signal Light, Front, 480V
C3, D3 & M3	4	3003137	Amber Signal Light, Heating, 250V
C3, D3 & M3	4	3003153	Amber Signal Light, Heating, 480V
C4, D4 & M4	3	3003139	Green Signal Light, Rear, 250V
C4, D4 & M4	3	3003140	Green Signal Light, Front, 250V
C4, D4 & M4	3	3003157	Green Signal Light, Rear, 480V
C4, D4 & M4	3	3003158	Green Signal Light, Front, 480V
C5, D5 & M5	1	3003141	Amber Signal Light, Right, 250V
C5, D5 & M5	1	3003142	Amber Signal Light, Right, 250V
C5, D5 & M5	1	3003145	Amber Signal Light, Center, 250V
C5, D5 & M5	1	3003154	Amber Signal Light, Right, 480V
C5, D5 & M5	1	3003155	Amber Signal Light, Center, 480V
C5, D5 & M5	1	3003156	Amber Signal Light, Left, 480V
C6, D6 & M6	2	3003137	Amber Signal Light, Heating, 250V
C6, D6 & M6	1	3003139	Green Signal Light, Rear, 250V
C6, D6 & M6	1	3003140	Green Signal Light, Front, 250V
C6, D6 & M6	2	3003153	Amber Signal Light, Heating, 480V
C6, D6 & M6	1	3003157	Green Signal Light, Rear, 480V
C6, D6 & M6	1	3003158	Green Signal Light, Center, 480V

Note: Signal Lights common to all convection and deck ovens are listed on Page 19.

# RA36

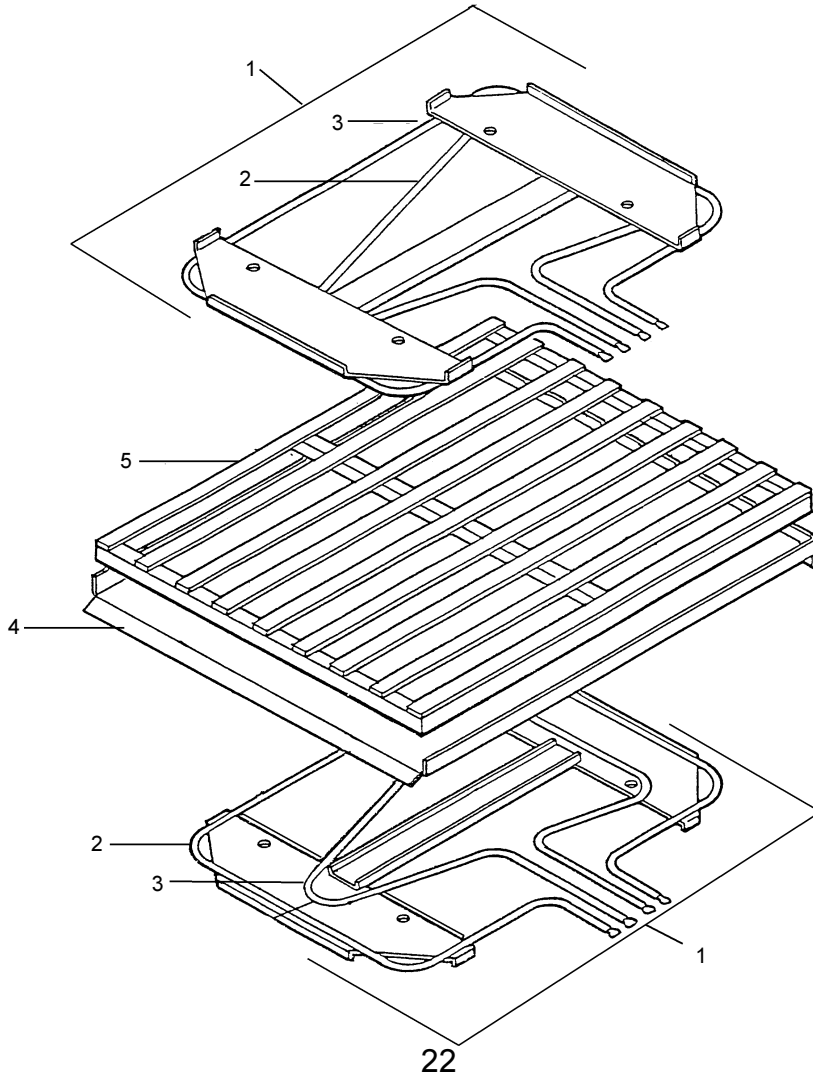
## Control Panel and Nameplate Parts Lists

<b>Model No.</b>	<b>Nameplate Part No.</b>	<b>Control Panel Part No.</b>
RA36C1	2400020	7603574
RA36C2	2400029	7603575
RAC6C3	2400022	7603574
RA36C4	2400024	7603575
RA36C5	2400026	7603575
RA36C6	2400018	7603575
RA36C7	30432	7603574
RA36D1	2400019	7603576
RA36D2	2400017	7603577
RA36D3	2400021	7603576
RA36D4	2400023	7603577
RA36D5	2400025	7603577
RA36D6	2400028	7603577
RA36D7	30454	7603576

# RA36

## Deck Oven Parts List and Assembly

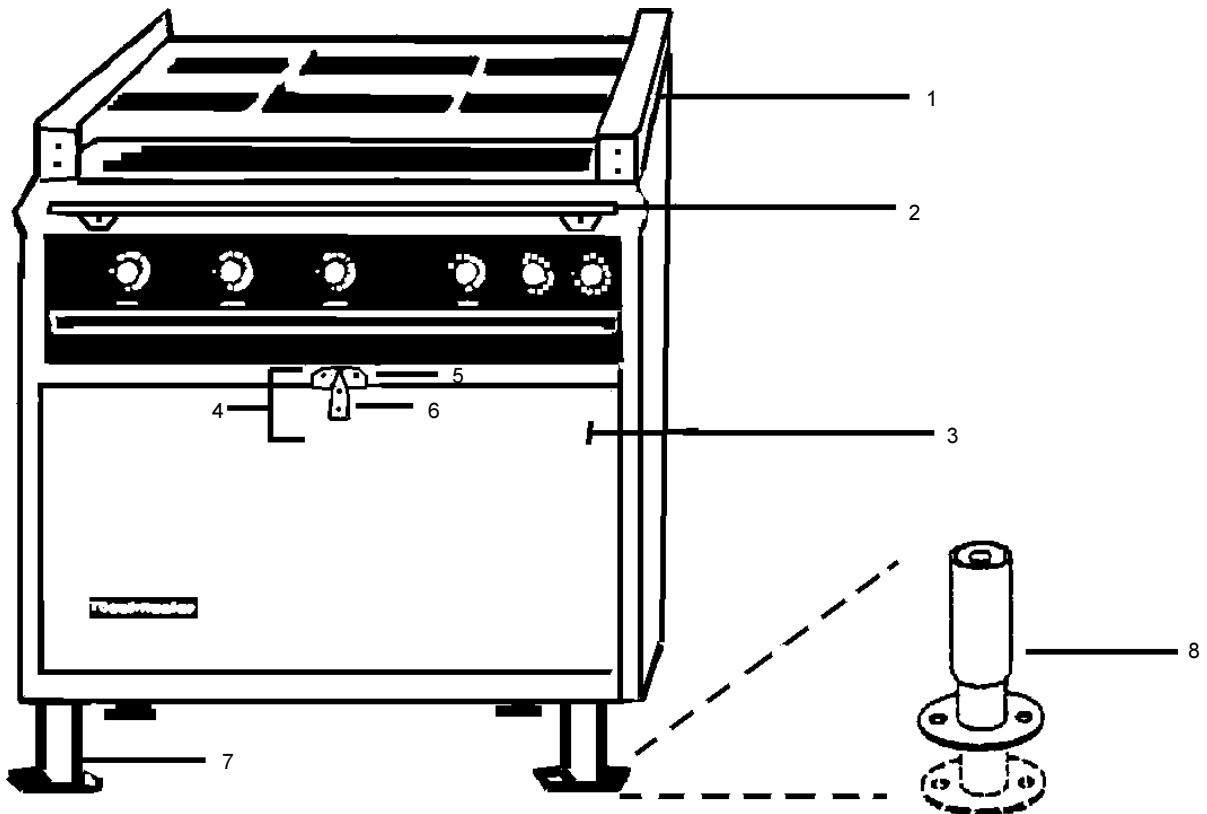
Item No.	Qty.	Part No.	Description
1	1	27800129	Assembly, Element & Frame, 208V
1	2	7800131	Assembly, Element & Frame, 240V
1	2	7800132	Assembly, Element & Frame, 380V
1	2	7800133	Assembly, Element & Frame, 420V
2	2	3001761	Inner Element, 208V/1500W
2	2	3001762	Inner Element, 240V/1500W
2	2	3001763	Inner Element, 380V/1500W
2	2	3001764	Inner Element, 480V/1500W
3	2	3001765	Outer Element, 208V/1500W
3	2	3001766	Outer Element, 240V/1500W
3	2	3001767	Outer Element, 380v/1500W
3	2	3001768	Outer Element, 480V/1500W
4	1	7601368	Oven Deck, Pebble
5	1	1811A0021	Oven Shelf



# RA36 MARINE UNIT

## Special Features

Item No.	Qty.	Part No.	Description
1	1	7800011	Kit, Sea Rails
2	1	7800012	Kit, Grab Handle
3	1	7800125	Kit, Long Life Oven Door, Marine
4	1	7800008	Kit, Marine Handle & Latch
5	1	7603975	Assembly, Aluminum Latch Handle
6	1	7604792	Latch Keeper
7	4	MALG06E	Kit, 6" Bolt-Down Leg
7	4	7606365	6" Bolt-Down Leg Only
8	4	MALG06F	Kit, 6" Flanged Adjustable Leg
8	4	36411	6" Flanged Adjustable Leg Only





Middleby Cooking Systems Group • 1400 Toastmaster Drive • Elgin, IL 60120 • (847)741-3300 • FAX (847)741-4406

***Middleby Corp 24-Hour Service Hotline 1-800-238-8444***

***[www.middleby.com](http://www.middleby.com)***



## Free Manuals Download Website

<http://myh66.com>

<http://usermanuals.us>

<http://www.somanuals.com>

<http://www.4manuals.cc>

<http://www.manual-lib.com>

<http://www.404manual.com>

<http://www.luxmanual.com>

<http://aubethermostatmanual.com>

Golf course search by state

<http://golfingnear.com>

Email search by domain

<http://emailbydomain.com>

Auto manuals search

<http://auto.somanuals.com>

TV manuals search

<http://tv.somanuals.com>