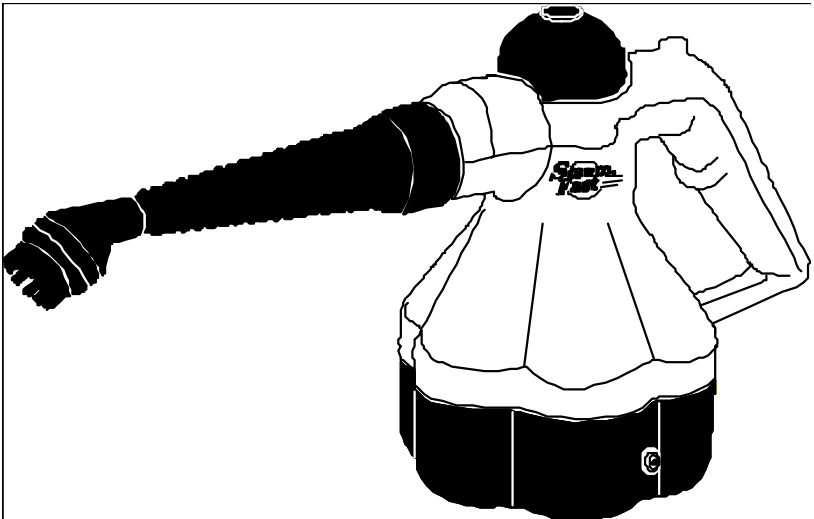


Steam. Fast



HOT & HANDYTM STEAM CLEANER

Instruction Manual

Model SF-220

Dear Customer,

Thank you for purchasing the Steam Fast[®] **Hot & Handy™ Steam Cleaner**. This product, like all the products in the Steam Fast[®] line, is designed to make your life easier without the use of harsh chemicals. Imagine a product that not only cleans and sanitizes, but also eliminates allergens and removes smoke and other odors from virtually any material in your home. You have just purchased such a product. We sincerely hope you enjoy using the **Hot & Handy™ Steam Cleaner**.

We at Top Innovations are proud of the quality lineup of products we sell under the Steam Fast[®] and Sew Pro[®] brands. Our goal is to produce quality products at affordable prices. As industry leaders in Steam Cleaners and Clothes Steamers, we pay diligent attention to all details regarding our products. We are always striving to improve the quality, safety and features of our products. Should you have an idea that would allow us to improve your satisfaction with this product, please do not hesitate to contact us.

Benny Lee
Chairman and CEO
Top Innovations, Inc.

IMPORTANT SAFETY INSTRUCTIONS

Read this instruction manual before using the appliance. Always follow basic safety precautions, including the following:

1. Only use accessories recommended by the manufacturer.
2. To protect against risk of electrical shock, do not immerse the appliance in water or other liquid.
3. Do not allow the steam cleaner to be used by children. Use caution when using near children or pets.
4. Unplug from electrical outlet when not in use, before putting on or taking off parts, and before cleaning.
5. Do not leave the steam cleaner unattended while plugged in.
6. Avoid contact with hot parts or burns that could occur. Keep hands, hair and clothing away from these parts to prevent risk of injury.
7. Do not operate any appliance with a damaged cord or plug or after the appliance malfunctions or is damaged in any manner. A damaged cord, plug or unit may result in fire, electrical shock or injury.
8. Do not pull or carry the unit by its power cord.
9. Allow the unit to cool before storage.
10. Do not let the power cord touch hot surfaces or get tangled around corners or under doors.
11. Do not handle the cleaner, power cord or plug with wet hands.
12. Do not operate the unit without wearing shoes.
13. Do not operate steam cleaner without properly filling it with water.
14. Never turn the steam cleaner upside down or sideways by more than 45°.
15. Never use the steam cleaner on electrical or electronic equipment.
16. Always keep the steam nozzle pointed away from people and pets as the hot steam can cause burns.
17. This appliance has a grounded (3 prong) plug. Use only in 3 pronged outlets. Do not attempt to defeat this safety feature.
18. Burns can occur by touching hot parts, hot water or steam.
19. Never put detergent or any other chemicals into the cleaner.
20. Do not remove the *Safety Cap* without unplugging the unit, letting it cool for at least 5 minutes, and releasing excess steam by depressing the steam button.
21. This product is for **HOUSEHOLD USE ONLY**.

SAVE THESE INSTRUCTIONS

Getting to Know Your SF-220

The following features and accessories should have come with your **Hot & Handy™ Steam Cleaner**. If any accessories are missing please see the **Service Call** section of this manual.

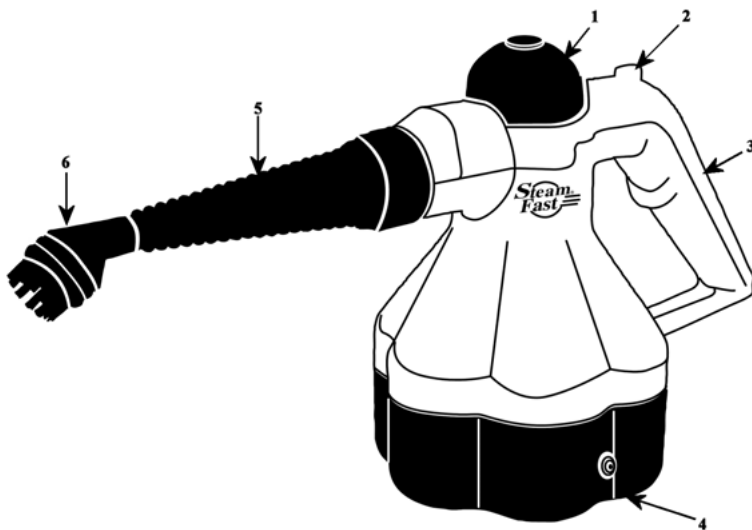


Figure 1

1. Safety Cap
2. Steam Button
3. Carrying Handle
4. Steam Ready Light
5. Steam Jet Nozzle
6. Short Nylon Utility Brush
7. Long Nylon Utility Brush
8. Brass BBQ Brush
9. Scrub Brush
10. Angled Nozzle
11. Extension Hose
12. Large Steam Nozzle
13. Squeegee
14. Large Utility Brush
15. Terry Cover
16. Measuring Cup

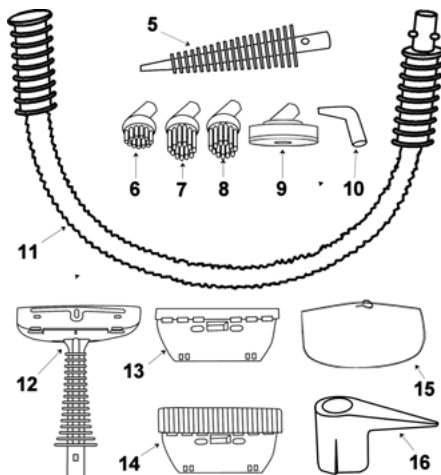


Figure 2

Learning About Your Steamer

- The *Safety Cap* (1) provides access to the *Boiler* for water filling. It also contains a pressure relief mechanism for safety.
- The *Steam Button* (2) operates a valve which controls the release of steam.
- The *Carrying Handle* (3) allows for one-handed operation.
- The *Steam Ready Light* (4) is illuminated when the *Boiler* is heating and goes out when the steam is ready.
- The *Steam Jet Nozzle* (5) provides a concentrated stream of powerful steam for cleaning. It can be used alone or in combination with the Utility or Brass brushes.
- The *Short Nylon Utility Brush* (6) and the *Long Nylon Utility Brush* (7) attach to the *Steam Jet Nozzle* and assist the steam in removing stubborn dirt, grease, grim, and stains.
- The *Brass BBQ Grill Brush* (8) attaches to the *Steam Jet Nozzle* and works with steam to clean BBQ grills. Note: The Brass Brush will scratch soft surfaces. Use with caution.
- The *Scrub Brush* (9) attaches to the *Steam Jet Nozzle* and is useful in cleaning and sanitizing sinks, counter tops, and stoves.
- The *Angled Nozzle* (10) attaches to the *Steam Jet Nozzle* and helps redirect steam to those hard to reach areas.
- The *Extension Hose* (11) provides a 30 inch extension for attaching the *Steam Jet Nozzle* or the *Large Steam Nozzle*.
- The *Large Steam Nozzle* (12) produces a wider steam coverage. It provides an attachment point for the *Terry Cover*, *Squeegee* and *Large Utility Brush*.
- The *Squeegee* (13) attaches to the *Large Steam Nozzle* and allows you to easily clean your windows, shower doors, and mirrors.
- The *Large Utility Brush* (14) attaches to the *Large Steam Nozzle* for cleaning larger areas such as upholstery and carpets.
- The *Terry Cover* (15), used in combination with the *Large Steam Nozzle*, turns the unit into a Fabric Steamer for de-wrinkling and deodorizing all types of fabric.
- The *Measuring Cup* (16) insures you fill the unit with the optimum amount of water (6 oz) for best results. It's built-in spout makes adding water a breeze.

Assembly Instructions

Attaching the Steam Jet Nozzle or Large Steam Nozzle

To use your Hot & Handy™ Steam Cleaner you need to attach the *Steam Jet Nozzle or Large Steam Nozzle* to the main unit. The following procedure works for both. (Refer to Figure 3).

1. Rotate the attachment so that the tabs (B) align with the slots on the main unit. This will bring the Single Alignment Mark (A) to the top.
2. Insert the nozzle as far as it will go and then rotate, in either direction, by 90°. This will bring the Dual Alignment Marks (C) to the top. The attachment is now secure.

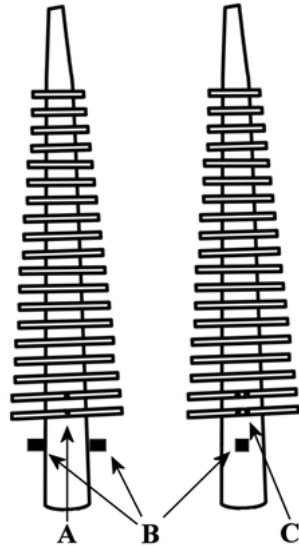


Figure 3

Using the Extension Hose

The *Extension Hose* (see Figure 4) of your Hot & Handy™ Steam Cleaner is designed to extend the reach of the unit. One end (D) can be inserted into the steam cleaner using steps 1 and 2 above.

Caution: End (D) of your *Extension Hose* may not have Dual Alignment Marks. Be sure to rotate 90° after inserting this end into the unit. This will align the seam of the extender hose with the top of the unit. Failure to do so may allow steam to flow from the connection.

At this point either the *Steam Jet Nozzle or Large Steam Nozzle* can be inserted into the other end (E) of the *Extension Hose* using steps 1 and 2 above.

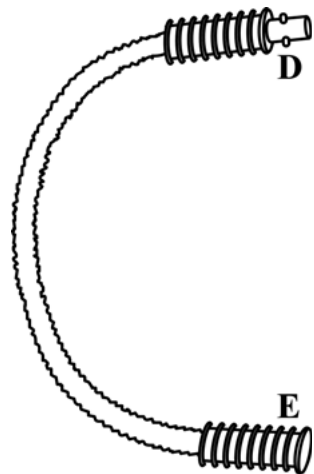


Figure 4

Assembly Instructions (cont)

Attaching the *Utility Brushes, BBQ Grill Brush and Angled Nozzle*

The *Utility Brushes, BBQ Grill Brush* and *Angled Nozzle* all attach to the *Steam Jet Nozzle*. Use the following procedure for these attachments. (Refer to Figure 5).

1. Grasp the handle in such a way so you can not accidentally push the *Steam Button*.

Caution: Do not try to add or remove attachments while steam is coming from the unit.

2. Align the hexagonal fitting on the attachment with the end of the *Steam Jet Nozzle*.
3. Push the attachment onto the *Steam Jet Nozzle* as far as it will go.

Caution: The tip of the *Steam Jet Nozzle* contains metal that can reach high temperatures. To avoid burns never touch the tip of the *Steam Jet Nozzle*.

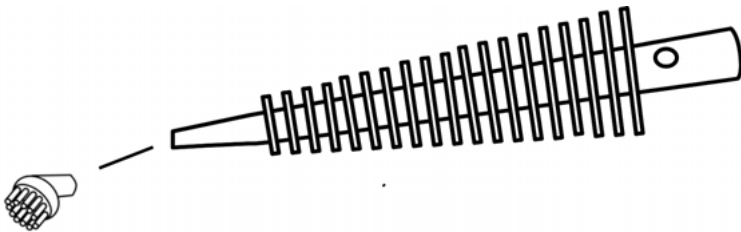


Figure 5

Assembly Instructions (cont)

Attaching the *Squeegee* and *Large Utility Brush*

The *Squeegee* and *Large Utility Brush* both attach to the *Large Steam Nozzle*. Use the following procedure for these attachments. (Refer to Figure 6).

1. Keeping the top of the *Squeegee* (or *Large Utility Brush*) at an angle, slide the Attachment Fittings (A) on the *Large Steam Nozzle* over the Attachment Hooks on the *Squeegee* (or *Large Utility Brush*) until the bottom of both pieces snap together.
2. Move the *Squeegee* (or *Large Utility Brush*) so that the top of both pieces snap together.

Caution: Do not try to add or remove attachments while steam is coming from the unit.

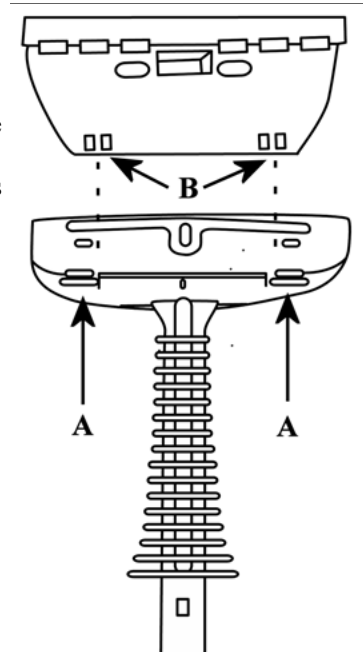


Figure 6

Water Filling Instructions

1. Place the unit on a level surface.
2. Unplug the *Power Cord*.

If the steam cleaner is still hot from a previous use, complete steps 3-5 below. Otherwise proceed to step 6.

3. Press the *Steam Button* continuously until all steam is removed from the unit.
4. Continue to press the *Steam Button* while cautiously unscrewing the *Safety Cap*.

Caution: Always press the *Steam Button* while unscrewing the *Safety Cap*. This ensures any steam still inside the unit will be safely vented out of the nozzle.

5. Let the unit cool for at least 5 minutes.

Warning: Always allow the unit to cool before adding water. Cold water added to a hot boiler can cause hot water and steam to shoot out of the fill hole.

6. Remove the *Safety Cap* and empty any water that might remain from a previous use.

Caution: Emptying the unit before filling it ensures that the proper amount of water is added. Too much water can cause water droplets in the steam and could damage the unit.

7. Fill the *Measuring Cup* to the maximum fill line with water (6 oz or 180 ml).

Note: To prolong the lifetime of your steam cleaner, we recommend using Distilled or De-mineralized water.

8. Carefully line up the spout on the *Measuring Cup* with the water fill hole and slowly pour the contents down the fill hole.

Warning: Extreme care should be taken when pouring water into the boiler. Do not look directly down the fill hole when filling the water .

9. Replace the *Safety Cap* (Do not over tighten the cap).

Operating the Hot & Handy™ Steam Cleaner

1. Plug the power cord into a convenient receptacle. The *Steam Ready Light* will immediately illuminate. (Note: The *Steam Ready Light* is illuminated when the *Boiler* is heating. The unit has no power switch.)

Warning: This appliance has a grounded (3 prong) plug. Use only in properly installed 3 pronged outlets. Do not attempt to defeat this safety feature.

2. The *Steam Ready Light* should extinguish in 3-4 minutes, indicating that the cleaner is ready to steam.
3. To begin cleaning press the *Steam Button* on the *Handle*.

Warning: Be sure the *Nozzle* or other attachments are pointed in a safe direction before pressing the *Steam Button*.

4. During use the *Steam Ready Light* may come back on. This is normal. If you notice a drop in pressure release the *Steam Button* until the *Steam Ready Light* goes out again.
5. When finished using the steam cleaner unplug the unit and drain.

Caution: Do not let the steam cleaner operate with a dry *Boiler* or damage to the unit could occur.

Cleaning and Storage Procedure

1. Unplug the unit.
2. Wait for the unit to cool completely (at least 30 minutes).
3. Remove the attachments.
4. Carry the unit to a convenient sink or tub.
5. Drain any leftover water from the unit.
6. Flush the *Water Reservoir* with fresh water and drain. This helps to remove any mineral residue that may have built-up. Repeat this step several times.
7. (Optional) Reattach the attachments.
8. Store the unit.

Service Calls

If you have any problems or questions and the Troubleshooting Guide does not help, please call our customer support at 1-800-711-6617 ext.102 or send email to customerservice@topinnovations.com. Please DO NOT return a unit without calling and receiving a Return Authorization Number.

Specifications

Input Voltage	120 VAC	
Input Frequency	60 Hz	
Output Power	900 W	
Water Capacity	6 oz	180 ml

Troubleshooting Guide

PROBLEM	CAUSE	SOLUTION
Unit fails to heat	Steamer not plugged in	Plug into electrical outlet.
	Household Circuit Breaker Tripped or Fuse Blown	Reset the circuit breaker or replace the fuse. If you need assistance contact a qualified electrician.
Steam Cleaner heats up but there is no steam output.	Unit needs water.	Follow the Water Filling Instructions .
	Steam outlet blocked.	Discontinue using the unit. Place a Service Call .

Removing Mineral Buildup Procedure

As with any steam appliance, mineral build-up may occur in the boiler. If you are not using distilled or de-mineralized water we suggest you follow this procedure monthly.

1. Perform steps 1-5 of the **Cleaning and Storage Procedure**.
2. Prepare a mixture of 50% white vinegar and 50% water in the *Measuring Cup*. Pour the mixture into the *Boiler*.
3. Let stand for 45 minutes. **Note: Do not plug the unit in while it is filled with the vinegar-water mixture.**
4. Drain the vinegar-water mixture from the *Boiler*.
5. Flush the *Water Reservoir* with fresh water and drain until no vinegar smell remains. You may need to repeat this step several times.

Steam. *Fast*

Top Innovations, Inc.
400 NW Platte Valley Drive
Riverside, Missouri 64150
www.topinnovations.com
1-800-711-6617



Free Manuals Download Website

<http://myh66.com>

<http://usermanuals.us>

<http://www.somanuals.com>

<http://www.4manuals.cc>

<http://www.manual-lib.com>

<http://www.404manual.com>

<http://www.luxmanual.com>

<http://aubethermostatmanual.com>

Golf course search by state

<http://golfingnear.com>

Email search by domain

<http://emailbydomain.com>

Auto manuals search

<http://auto.somanuals.com>

TV manuals search

<http://tv.somanuals.com>