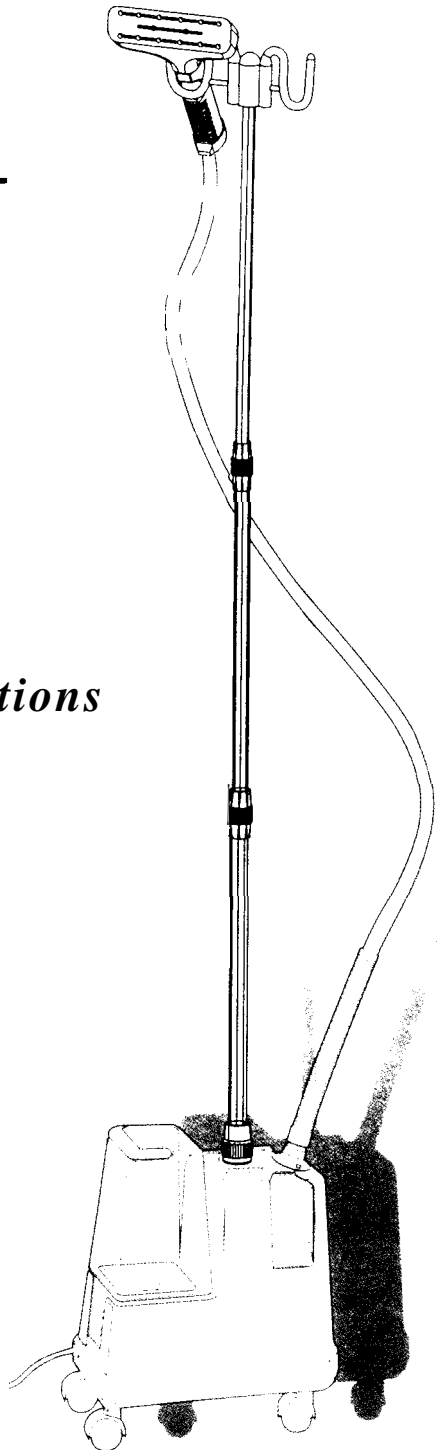


# *Steam<sup>®</sup> Fast*

*Built for years of  
care-free use,  
Read These Instructions  
completely  
before use.*



**MODEL SP-350  
Series**

Please read this manual before using and keep for future reference.  
Download from [Www.Somanuals.com](http://www.Somanuals.com). All Manuals Search And Download.



## Professional Style Steamer

Dear Consumer

Thank you for purchasing the SteamFast® Professional Style steamer.

In order to prolong the life of your steamer we recommend that the water tank be drained between each use if tap water is being used. This will reduce liming as a result of hard water.

Your SteamFast® steamer is equipped with a thermostat control that will shut the steamer off when the temperature reaches 248°F. The steamer will automatically begin heating again when the temperature drops below 248°F.

Should the water tank run dry while the unit is in operation, we recommended that it be turned off immediately. If the steamer is not turned off immediately, the thermostat will cause the unit to shut off. However, damage may occur to the unit.

In the event that the steamer is left in operation without water or the thermostat should fail to operate properly, the unit's fuse will burn out at 302°F causing the steamer to shut off.

-SteamFast®

Top Innovations, Inc.  
400 NW Platte Valley Dr.,  
Riverside, MO 64150  
web site: [www.topinnovations.com](http://www.topinnovations.com)

# INTRODUCTION

Congratulations on your purchase of the Steam Fast<sup>®</sup> professional Steamer. You will find that the Steam Fast<sup>®</sup> is easy to use and extremely versatile.

Your new steamer provides professional results every time!

1. Holds over one half gallon of water - enough for approximately 30 minutes of continuous operation.
2. Water container is removable and easy to fill.
3. Automatic shut-off safety feature.
4. Easy to use drain port.
5. Eliminates ironing by removing wrinkles.
6. Easy roll casters make unit highly portable.
7. Convenient hanger for hose.
8. Stores upright minimizing storage space requirements.

# IMPORTANT SAFETY INSTRUCTIONS

When using electrical appliances, always follow basic safety precautions, including the following:

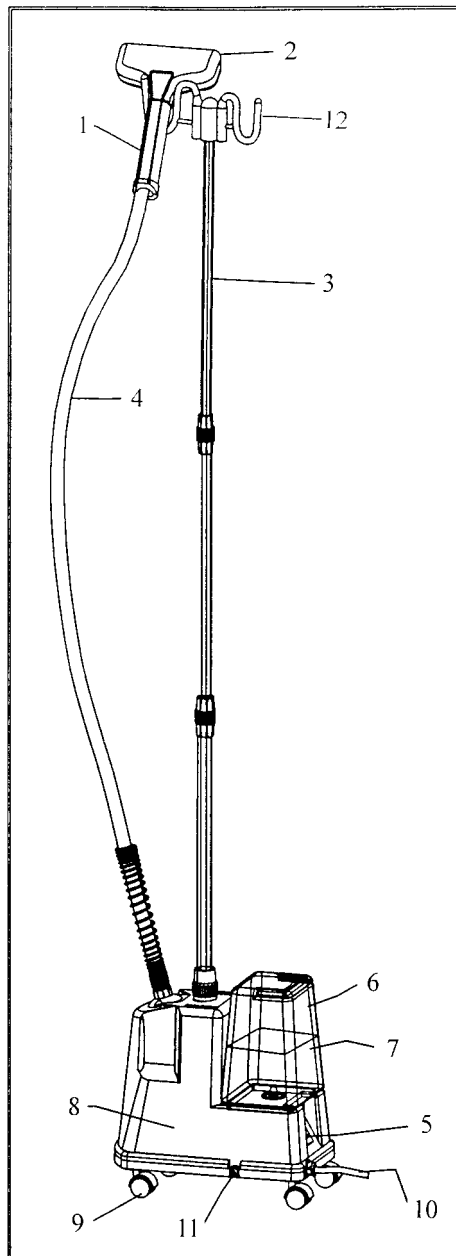
1. Read all instructions.
2. To protect against risk of electrical shock, do not put appliance in water or other liquid.
3. Close supervision is necessary when any appliance is used by or near children.
4. Unplug from electrical outlet when not in use, before putting on or taking off parts and before cleaning.
5. Avoid contact with hot parts. Keep hands, hair, and clothing away from these parts to prevent risk of injury to persons and or burns that could occur.
6. Use this product for its intended use only.
7. Do not operate any appliance with a damaged cord or plug or after the appliance malfunctions or is dropped or damaged in any manner. A damaged cord, plug or unit may result in fire, electrical shock or injury.
8. Do not leave the steamer unattended.
9. Please allow the unit to cool before storage. The use of attachments not recommended or sold for this appliance may cause fire, electric shock or injury.
10. Always turn the switch to "off" position before plugging in or unplugging the unit.
11. Do not let cord touch hot surfaces.
12. Do not operate steamer without properly filling the water container.
13. Always keep the hose nozzle elevated above the water container. Do not lay the hose on the floor.
14. Burns can occur by touching hot parts, hot water or steam.

**SAVE THESE INSTRUCTIONS**

## LEARNING ABOUT YOUR STEAMER

Please refer to the picture for each point

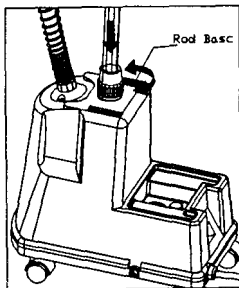
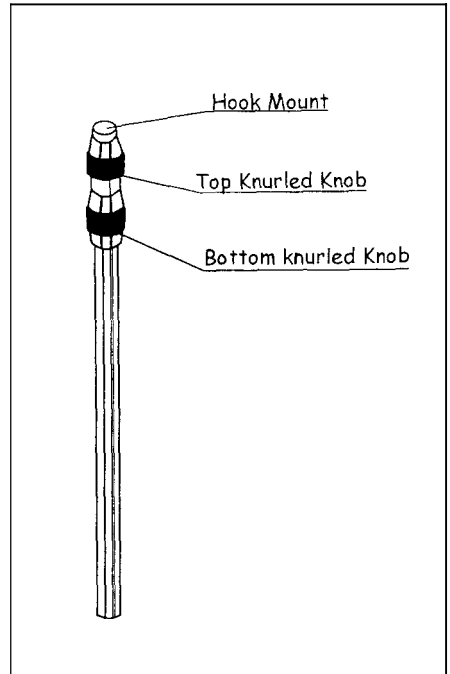
- (1) The control HANDLE on the end of the hose sits just before the nozzle. The HANDLE is designed to be heat free and is safe to grasp. Use the HANDLE to aim the direction of the steam released from the nozzle.
- (2) The NOZZLE on the end of the handle is located on the end of the steamer hose. Always sit the NOZZLE end of the hose on the hanger rod when not in use. Keep the NOZZLE pointed upward and steam will rise. If you point the NOZZLE downward, water may condense and drip.
- (3) The ROD is designed to conveniently hang the hose handle and also can support garments for steaming.
- (4) The HOSE extends from the base of the unit. Do not pull on the HOSE with extreme pressure or you may cause damage and leakage of steam.
- (5) The ON/OFF switch is located on the front of the base.
- (6) The WATER CONTAINER is filled through a hole in the bottom and should be placed in the reservoir on the base. Avoid spilling excess water into the reservoir as this could cause the steamer to expel water from the nozzle. Do not try to substitute another water container for the one designed for this unit.
- (7) The WATER LEVEL can be seen visually in the water container.
- (8) The steamer BASE houses the reservoir and water container. It also supports the hanger rod and hose.
- (9) The CASTERS allow the unit to roll freely.
- (10) The ELECTRICAL CORD plugs into a standard three-prong plug. Use only three prong UL approved extension cords with a minimum 20-ampere rating.
- (11) The DRAIN PLUG is located on the side for convenient drainage of the water reservoir.
- (12) The dual hook hanger allows for convenient simultaneous hanging of the nozzle and clothing.



# STEAMER ASSEMBLY

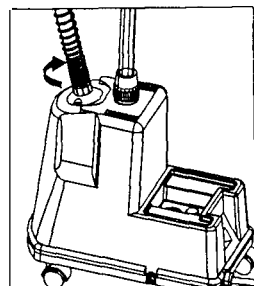
## STEP 1 –ATTACHING THE ROD

- A. Set the appliance on a steady surface.
- B. The Rod is shipped in a collapsed position and must be extended for use. Take the Rod and loosen the Top Knurled Knob slightly by rotating it counter-clockwise. Grab the Rod by the Hook Mount and extend fully (about 18 inches). Tighten the Top Knurled Knob.
- C. Similarly loosen the Bottom Knurled Knob and extend the middle section of the Rod and retighten.
- D. Loosen the Rod Base by turning it counter clockwise several turns. Insert the bottom of the Rod and press down firmly. Hand-tighten the Rod Base by turning clockwise.
- E. Place the Dual Hook Hanger over the Hook Mount and hand-tighten with clockwise turns.



## STEP 2 -ATTACHING THE STEAMER HOSE

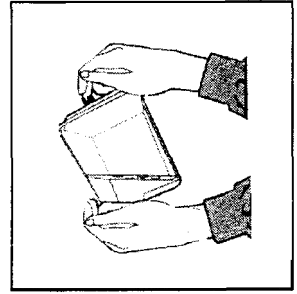
- A. Screw the end of the steamer hose with the knurled knob onto the threaded pipe on the top of the steamer unit. (Caution: Do not use excessive force in tightening the knob)
- B. Tighten by hand until it no longer turns.
- C. Hang the nozzle from the large hook on the Dual Hook Hanger.



# STEAMER OPERATION

## STEP 1 - PREPARATION FOR USE

- A. Set the unit on the floor and remove the water container.
- B. Check the inside of the container the sediment. If present rinse the container and following the Removing Mineral Buildup procedure found later in this manual.
- C. Turn the container upside down and push the plunger valve open and allow to close two or three times to insure it is functioning smoothly.



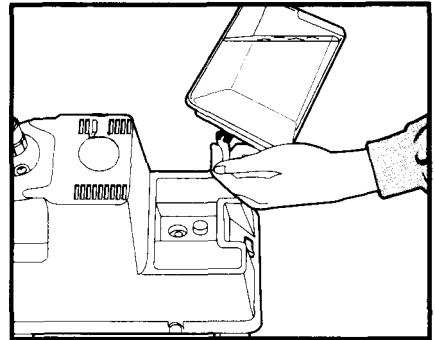
**CAUTION: DO NOT PULL ON THE PLUNGER VALVE OR YOU MAY ACCIDENTALLY REMOVE IT AND THE WATER TANK WILL NOT FUNCTION PROPERLY.**

- D. If the plunger is removed or falls out of the from the valve assembly please refer to the Reassembling The Water Tank Valve Cap procedure later in this manual.

## STEP 2- FILLING THE WATER CONTAINER

**NOTE: USE OF DEMATERIALIZED OR DISTILLED WATER IS HIGHLY RECOMMENDED.**

- A. Insure the unit is unplugged.
- B. Remove the water container with the handle and turn upside down.
- C. Turn the water facet in you sink on to a mild stream
- D. While depressing the valve in the center of the base, fill the tank with cool water through the opening.



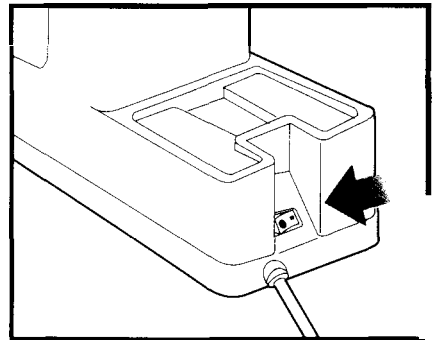
**NOTE: DO NOT FILL THE CONTAINER WITH HOT WATER.**

- E. Release the valve and install water tank on the base.

## STEP 3 -OPERATING THE STEAMER

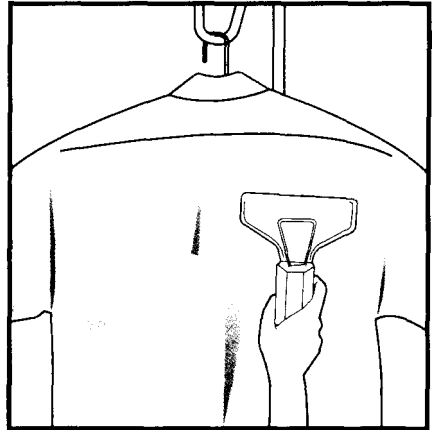
- A. Ensure the ON/OFF switch is in the OFF position.
- B. Plug the steamer cord into a normal electrical outlet or approved extension cord.
- C. Turn the ON/OFF switch to the ON position.
- D. The switch will light when electricity is connected.
- E. Steam will be produced from the nozzle in a few seconds.

**CAUTION: DO NOT ALLOW THE CONTAINER TO BECOME DRY DURING OPERATION, AS THIS WILL SHORTEN THE LIFE OF THE STEAMER.**



## PRESSING WITH STEAM

1. Grasp the control handle with the nozzle facing upward. Beginning at the bottom of the fabric will allow the steam to rise inside and outside removing wrinkles. Slowly move the nozzle from the bottom to the top of the fabric.
2. Remove the nozzle from the garment and smooth the fabric with your free hand.



### NOTE:

- a. Pressing will be easier if there are fewer creases in the object to be steamed.
- b. Shaking out the article prior to steaming will avoid excess creasing.
- c. For towels, handkerchiefs and napkins peg drape them over a rod or steam press them in place over towel racks.
- d. Heavier fabrics may require repeated steaming. Repeat steps 1 AND 2 as necessary.



With practice you will gain speed and efficiency. You will soon learn which fabrics will require multiple steam applications.

## IMPORTANCE NOTICE

Remove and drain the water container by depressing the valve at the bottom of the container. (See drawing)

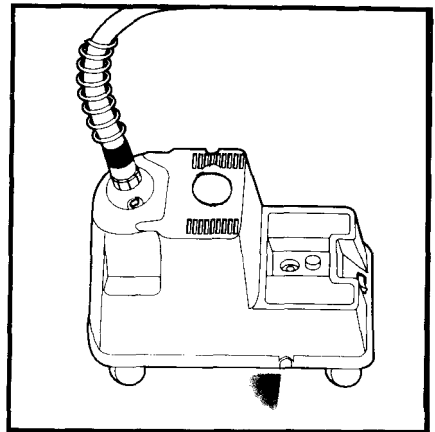
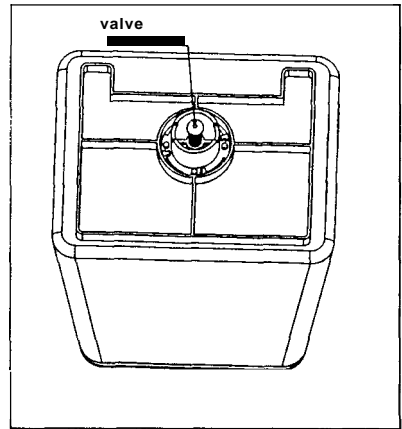


Drain the unit by removing the drain plug (located at the side of the main unit-see P.4 #11). This will allow contents of the reservoir (main unit) to drain. Tipping the unit in the direction of the drain plug to remove any remaining water. Replace the drain plug.

Using distilled water will eliminate a residue build up usually found in tap water.

## CLEANING AND STORING

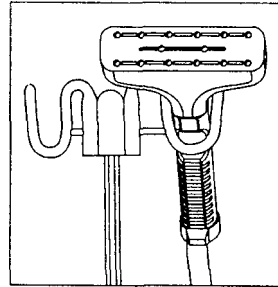
1. Turn the ON/OFF switch to the OFF position and unplug from the power source.
2. Wait for the steamer to cool completely for at least 30 minutes.
3. Remove and drain the water container. Drain the unit by removing the drain plug and allowing the contents of the reservoir to drain. Tip the unit in the direction of the drain plug to remove remaining water. Replace the plug.
4. Remove the steamer hose and hanger rod.
5. Remove the Water Tank.
6. Remove excess water from the reservoir by lifting the unit and pouring. Flush the reservoir area with fresh water to clean any residue from the water source.
7. Reattach the hose, hanger rod and water container and store the unit.



## OTHER IMPORTANT NOTES

During operation the steamer hose may gurgle.

- a. This is a normal result of condensation collecting inside the hose. Simply lift the control handle upward until the hose is extended to its full height.
- b. The gurgling will disappear when the excess moisture inside the hose has had a chance to drain back into the base.



If the steamer stops producing steam then starts again.

- a. You may wish to examine the inside of the reservoir. The most common reason for this effect is the accumulation of sediment from mineral laden water.
- b. Clean the offending sediment from inside the unit. first following the steps for cooling and cleaning the unit as presented previously.

# TROUBLE SHOOTING THE STEAMER

PROBLEM	CAUSE	SOLUTION
Steamer fails to heat	Steamer not plugged in	Plug in to electrical outlet
	Auto shut off engaged	check water container. add water if empty. Reset ON/OFF switch.
No steam	water level is low	Turn ON/OFF switch OFF and refill water container
Water drips from nozzle	Condensation in hose	Hold the hose vertical and allow water to drain back to tank
Nozzle gurgles	condensation in hose	Hold the hose vertical and allow water to drain back to tank
Steam is intermittent	sediment in container	Follow the removing mineral buildup procedure
Water tank Valve leaks	Valve plunger is removed	Follow the "Reassembling The Water Tank Valve Cap" Procedure

Note: Water chemicals and conditions will vary in different areas. To insure continued operation of the steamer, never store without cleaning and removing excess water from the reservoir and water container.

**The brush attachment can be used to gently brush the nap of fabric such as corduroy.**

**Do not use brush on delicate fabrics such as silk or satin.**

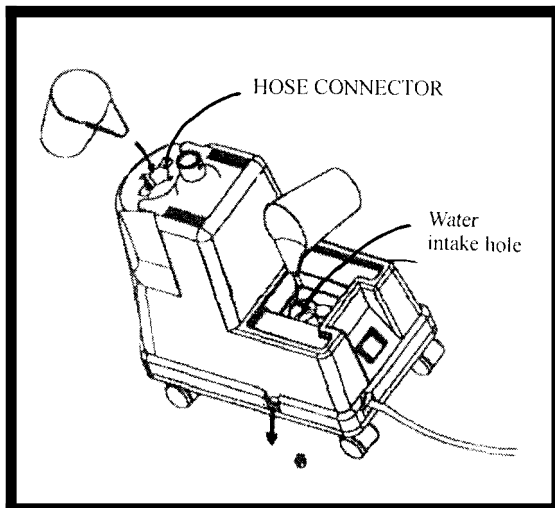
# Removing Mineral Buildup

One common problem with steamers is mineral buildup caused by the high mineral content in many municipal water supplies. Mineral residue inside of the internal pipes and heater can cause intermittent steaming or in severe cases no steaming at all.

The best way to avoid this is to use demineralized or distilled water in the unit. The procedure below can be used to clear mineral buildup. If you are unable to use de-mineralized or distilled water we recommend you use this procedure monthly to help avoid mineral buildup.

1. Turn the unit off and unplug the power cord.
2. Unscrew and remove the hose from the hose connector on the top of the unit.
3. Remove the pole from the unit.
4. Remove the water tank from the main unit and drain any water in the unit.
5. Make a mixture of 50% vinegar and 50% water. In most cases 1 cup of this mixture will be sufficient.
6. Slowly pour the water-vinegar mixture into the hose connector.
  - a. If the internal piping is only partially blocked by mineral buildup, the water- vinegar mixture will soon start flowing out of the water intake hole. If this happens proceed to step 8.
  - b. If the internal piping is completely blocked, continue to pour the mixture into the hose connector till full.
7. Pour the water-vinegar mixture into the water intake hole until full.
8. Let stand for 40 minutes.
9. Drain the water using the drain plug.
10. Pour clean water though the hose base and water intake hole until the vinegar smell dissipates.
11. Reassemble the unit and operate normally.

If the procedure above does not return the unit to normal operation, the unit may need servicing.



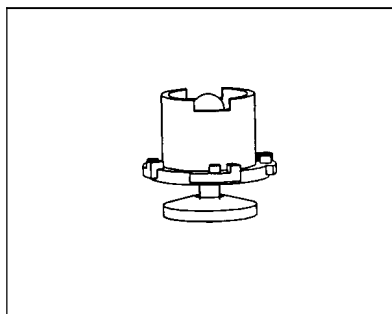
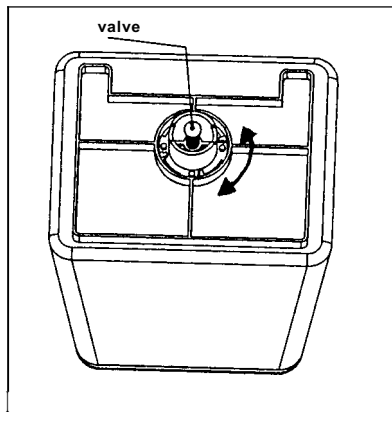
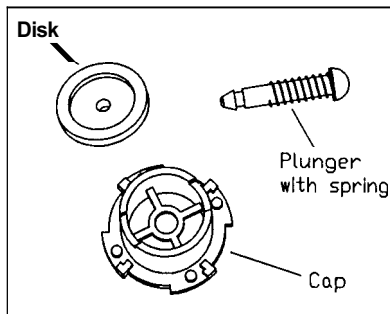
## Reassembling The Water Tank Valve Cap

If the plunger becomes separated from the Valve Cap, follow the following procedure.

- A. Grab the Value Cap Assembly and rotate it counter clockwise about 1/8th of a turn. Lift straight up to remove the cap.
- B. The disk will most likely be found inside the water container. Carefully drain the water from the container and search for the disk.
- C. Insure the spring is around the plunger.
- D. Place the small end of the plunger through the center hole of the cap.
- E. Push the plunger through the central hole in the disk until it pops into place.

**Note: Be sure the disc is oriented as seen in the bottom illustration.**

- F. Replace the Value Cap Assembly by aligning the notches and rotating the cap 1/8 turn clockwise.
- G. Fill the tank with water and check the operation of valve by holding the tank by the handle and checking for leaks.



## Free Manuals Download Website

<http://myh66.com>

<http://usermanuals.us>

<http://www.somanuals.com>

<http://www.4manuals.cc>

<http://www.manual-lib.com>

<http://www.404manual.com>

<http://www.luxmanual.com>

<http://aubethermostatmanual.com>

Golf course search by state

<http://golfingnear.com>

Email search by domain

<http://emailbydomain.com>

Auto manuals search

<http://auto.somanuals.com>

TV manuals search

<http://tv.somanuals.com>