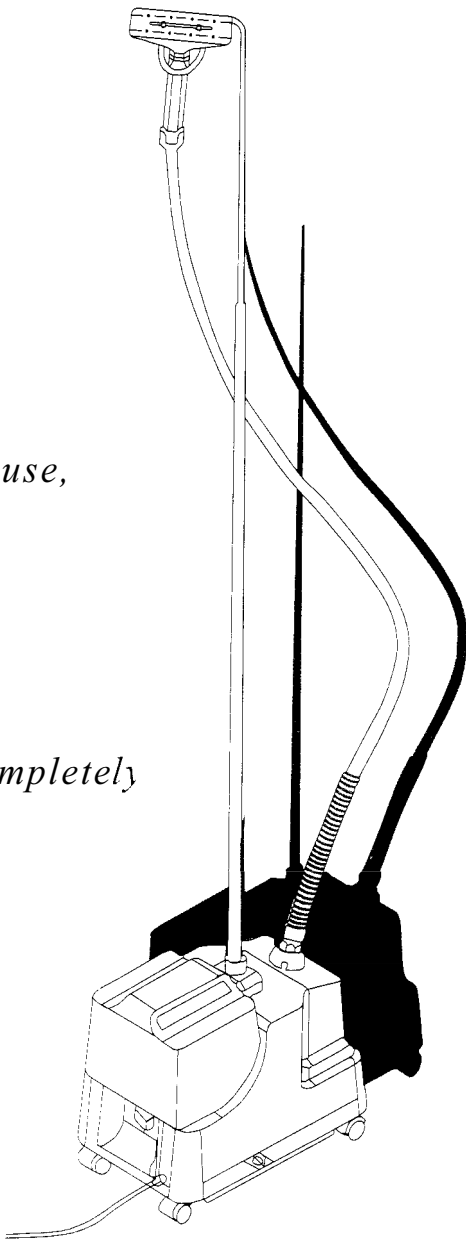


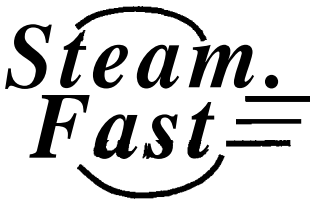
Steam Fast

Built for years of care-free use,

*Read These Instructions completely
before use.*

MODEL SF-450





Model SF - 450

Professional Style Steamer

Dear Consumer

Thank you for purchasing the SteamFast Professional Style steamer.

If tap water is being used, in order to prolong the life of your steamer, we recommend that the unit be drained after each use. This will reduce lime buildup within the unit. If used in a hard water area the use of distilled water is encouraged. If you chose to use distilled water it will not be necessary to drain the unit.

Your SteamFast steamer is equipped with a thermostat control that will shut the steamer off when the temperature reaches 250°F. The steamer will automatically begin heating again when the temperature drops below 250° F.

Should the water tank run dry while the unit is in operation, we recommended that it be turned off immediately. If the steamer is not turned off immediately, the thermostat will cause the unit to shut off, however, damage may occur to the unit.

In the event that the steamer is left in operation without water or the thermostat should fail to operate properly, the unit's fuse will burn out at 302° F causing the steamer to shut off.

Top Innovations, Inc.
400 NW Platte Valley Dr.,
Riverside, MO 64150
web site: www.topinnovations.com

INTRODUCTION

Congratulations! You are about to use the simplest and most Versatile steamer brought to you, SteamFast, a trusted name in clothing care.

Your new steamer provides clean, professional results every time!

1. Holds over 1/2 gallon of water - enough for approximately 30 minutes of continuous operation.
2. Water container is removable and easy to fill.
3. Automatic shut-off safety feature.
4. Easy to use drain port.
5. Eliminates ironing by removing wrinkles.
6. Easy roll casters make unit highly portable
7. Convenient hanger for hose.
8. Stores upright minimizing storage space requirements.

IMPORTANT SAFETY INSTRUCTIONS

When using electrical appliances, always follow basic safety precautions, including the following:

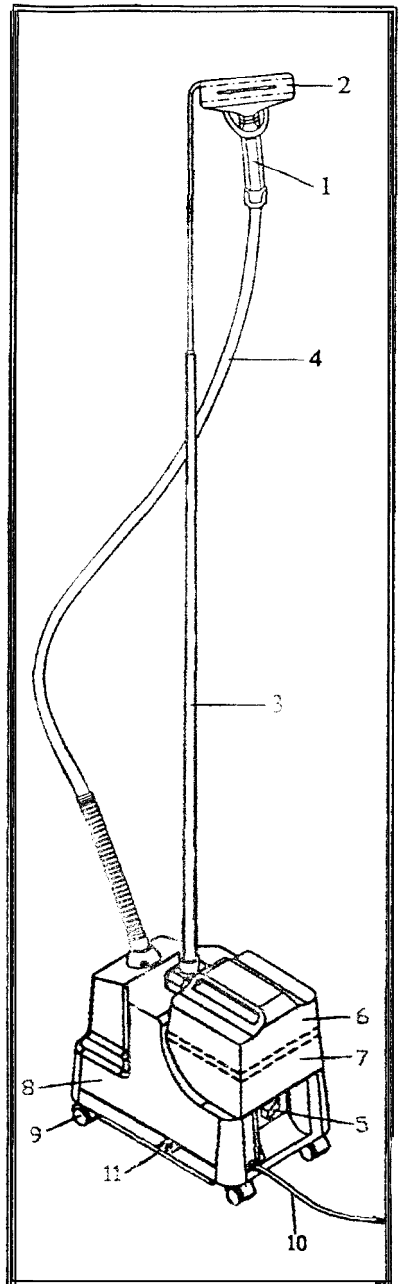
1. Read all instructions.
2. To protect against risk of electrical shock, do not put appliance in water or other liquid.
3. Close supervision is necessary when any appliance is used by or near children.
4. Unplug from electrical outlet when not in use, before putting on or taking off parts and before cleaning.
5. Avoid contact with hot parts. Keep hands, hair, and clothing away from these parts to prevent risk of injury to persons and or burns that could occur.
6. Use this product for its intended use only
7. Do not operate any appliance with a damaged cord or plug or after the appliance malfunctions or is dropped or damaged in any manner. A damaged cord, plug or unit may result in fire, electrical shock or injury.
8. Do not leave the steamer unattended
9. Please allow the unit to cool before storage
10. Always turn the switch to "off" position before plugging in or unplugging the unit.
11. Do not let cord touch hot surfaces.
12. Do not operate steamer without properly filling the water container.
13. Always keep the hose nozzle elevated above the water container. Do not lay the hose on the floor.
14. This appliance has a grounded plug. The unit must be plugged into a properly grounded three-pronged outlet.
15. Burns can occur by touching hot parts, hot water or steam.

SAVE THESE INSTRUCTIONS

LEARNING ABOUT YOUR STEAMER

Please refer to the picture for each point

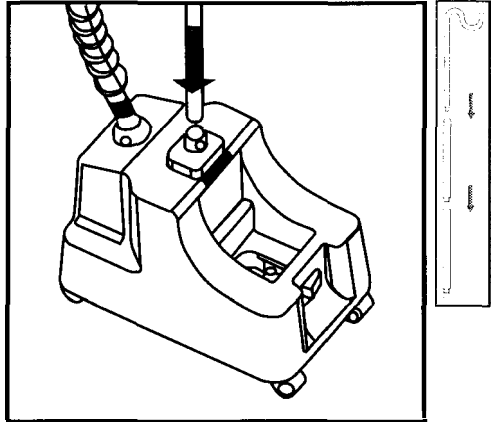
- (1) The control HANDLE on the end of the hose sits just before the nozzle. The HANDLE is designed to be heat free and is safe to grasp. Use the HANDLE to aim the direction of the steam released from the nozzle
- (2) The NOZZLE on the end of the handle is located on the end of the steamer hose. Always hang the NOZZLE end of the hose on the hanger rod when not in use. Keep the NOZZLE point the NOZZLE downward, water may condense and drip.
- (3) The ROD is designed to conveniently hang the hose handle and also can support garments for steaming
- (4) The HOSE extends from the base of the unit. Do not pull on the HOSE with undo tension as damage to the hose may result in steam leakage
- (5) The ON/OFF switch is located on the front of the base.
- (6) The WATER CONTAINER is filled through the removable water valve on the bottom and should be placed in the reservoir on the base. Avoid spilling excess water into the reservoir as this could cause the steamer to expel water from the nozzle. Do not try to substitute another water container for the one designed for this unit.
- (7) The WATER LEVEL can be seen visually in the water container. Do not operate the steamer without water in the WATER CONTAINER.
- (8) The steamer BASE houses the reservoir and water container. It also supports the hanger rod and hose.
- (9) The CASTERS allow the unit to roll freely
- (10) The ELECTRICAL CORD plugs into a standard three-prong plug. Use only three prong UL approved extension cords with a minimum 20-ampere rating
- (11) The DRAIN PLUG is located on the side for convenient drainage of the water reservoir.



STEAMER ASSEMBLY

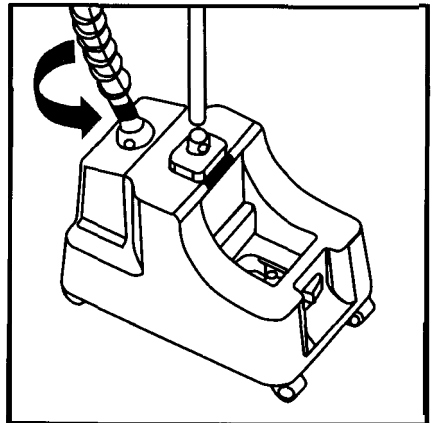
STEP 1 - ATTACHING THE METAL ROD

Set the appliance on a steady surface. The bottom metal rod is threaded on one end. Screw the two larger metal rods together. Insert the bottom of the metal rod into the holder on the unit base and screw the setscrew until tight. (Caution: do not over tighten) Screw the top smaller metal rod (with hook) into the top of the large metal rod.



STEP 2 - ATTACHING THE STEAMER HOSE

Screw the end of the steamer hose with the knurled knob onto the threaded pipe on the top of the steamer unit. (Caution: Do not use excessive force in tightening the knob) Tighten by hand until it's no longer turns. Hang the nozzle from the metal rod. Prior to filling the water tank, be certain that the steamer's drain plug is properly installed and tightened to prevent leaking.



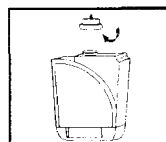
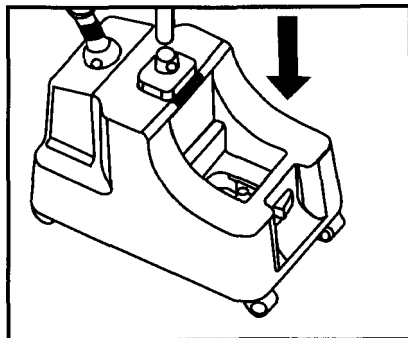
STEP 3 - BEFORE FILLING THE WATER CONTAINER

Turn the water container upside down and inspect to see the valve and spring assembly are functioning in the bottom of the container. Place the container in the reservoir and inspect that it seats securely.

STEAMER OPERATION

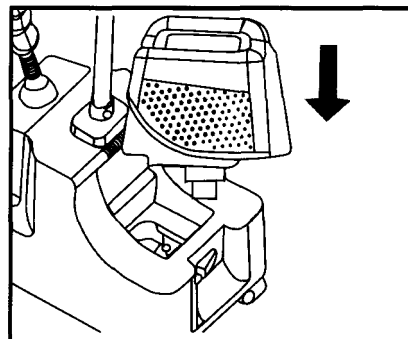
STEP 1 - PREPARATION FOR USE

Set the unit on the floor and remove the water container. Check the inside of the container for sediment. Turn the container upside down and push the valve open and allow to close two or three times to insure it is functioning smoothly. If the container has been stored with water inside, it may be necessary to remove the water and clean the container. Follow the steps for care and cleaning.



STEP 2 - FILLING THE WATER CONTAINER (PRIOR TO PLUGGING IN THE APPLIANCE)

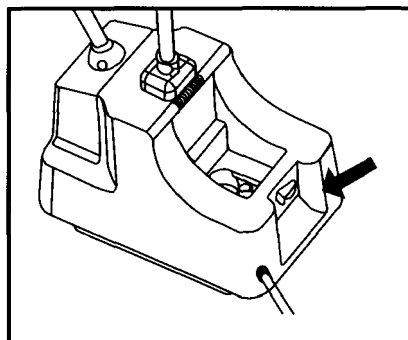
Remove the water container with the handle and turn upside down. Unscrew the valve in the center of the base and pour water into the opening or hold under a source of running water until the container is filled to the desired level. Replace the valve and return the container to the upright position. Place the water container onto the base and make certain it seats properly into the cavity.



**DO NOT FILL THE CONTAINER WITH HOT WATER.
DO NOT ALLOW THE CONTAINER TO BECOME DRY DURING
OPERATION AS THIS WILL SHORTEN THE LIFE OF THE STEAMER**

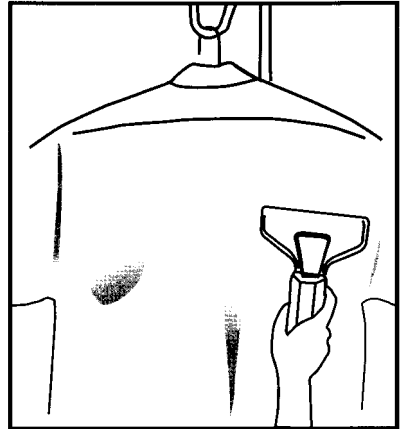
STEP 3 - OPERATING THE STEAMER

Insure the ON/OFF switch is in the OFF position. Plug the steamer cord into a normal electrical outlet or approved extension cord. Turn the ON/OFF switch to the ON position. The switch will light when electricity is connected. Steam will be produced from the nozzle in a few seconds.



PRESSING WITH STEAM

1. Grasp the control handle with the nozzle facing upward. Beginning at the bottom of the fabric will allow the steam to rise inside and outside removing wrinkles. Slowly move the nozzle from the bottom to the top of the fabric.



2. Remove the nozzle from the garment and smooth the fabric with your free hand.



NOTE:

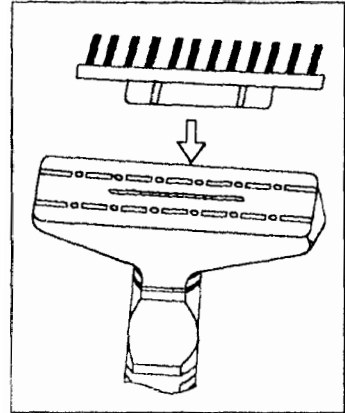
1. Pressing will be easier if there are fewer creases in the object to be steamed.
2. Shaking out the article prior to steaming will avoid excess creasing
3. For towels, handkerchiefs and napkins, drape them over a rod or steam press them in place over towel racks.
4. Heavier fabrics may require repeated steaming. Repeat steps one and two as necessary.

With practice you will gain speed and efficiency. You will soon learn which fabrics will require multiple steam applications.

Accessories

Fabric Brush

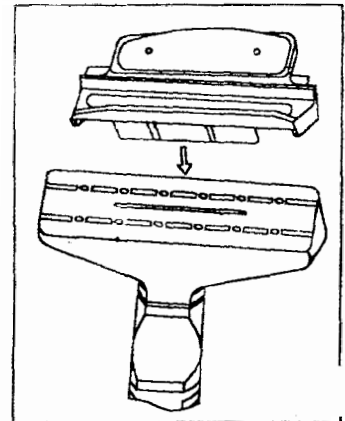
Your steamer is supplied with an accessory fabric brush which can be used to gently brush the nap of fabric such as corduroy. To install simply snap into the appropriate slot in the nozzle when the steamer is off and cool.



Don't use the brush on delicate fabrics such as silk or satin

Lint Remover

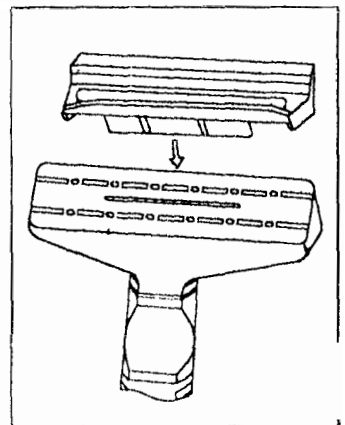
The supplied lint removal tool may be used with the steamer or by itself. To install on the steamer make certain the unit is off and cool. Simply snap the tool on the nozzle.



Captured lint may be removed by rubbing the surface of the tool with a dry scrap of fabric in the reverse direction from normal use.

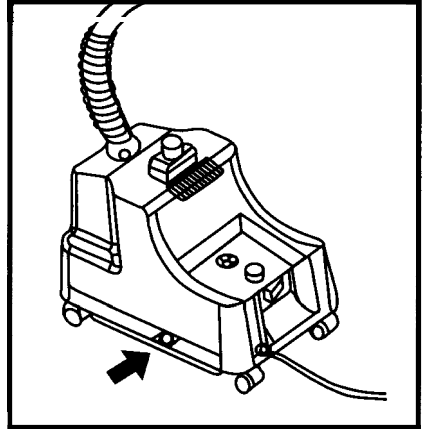
Squeegee

Another feature of steam is the ability to clean. Live steam dissolves greasy film and dirt. To take advantage of this your unit is equipped with a squeegee to allow the cleaning of windows, mirrors and other glass surfaces. To install the squeegee merely snap it into the appropriate slot in the nozzle when your unit is off and cool.



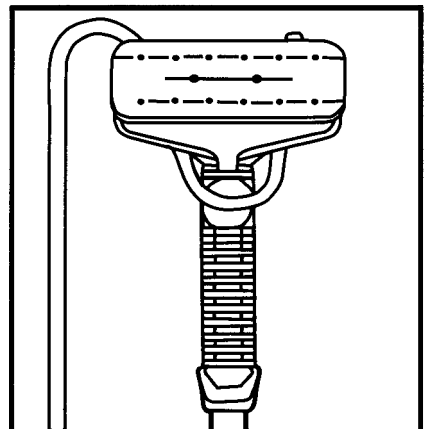
CLEANING AND STORING

- a. Turn the ON/OFF switch to the OFF position and unplug from the power source.
- b. Wait for the steamer to cool completely for at least 30 minutes.
- c. Remove and drain the water container. Drain the unit by removing the drain plug and allowing the contents of the, reservoir to drain. Tip the unit in the direction of the drain plug to remove remaining water. Replace the plug.
- d. Remove the steamer hose and hanger rod.
- e. Remove the water tank.
- f. Remove excess water from the reservoir by lifting the unit and pouring. Flush the reservoir area with fresh water to clean any residue from the water source.
- g. Pour fresh water into threaded pipe of steam hose. Then remove water from reservoir to clean any residue inside the steamer. If there is too much residue, you may use soft water to soak and flush the reservoir.
- h. Reattach the hose, hanger rod and water container and store the unit.



OTHER IMPORTANT NOTES

During operation the steamer hose may gurgle. This is a normal result of condensation collecting inside the hose. Simply lift the control handle upward until the hose is extended to its full height. The gurgling will disappear when the excess moisture inside the hose has had a chance to drain back into the base. If the steamer stops producing steam then starts again. You may wish to examine the inside of the reservoir. The most common reason for this effect is the accumulation of sediment from mineral laden water. Clean the offending sediment from inside the unit, first following the steps for cooling and cleaning the unit as presented previously.



TROUBLESHOOTING THE STEAMER

<u>PROBLEM</u>	<u>CAUSE</u>	<u>SOLUTION</u>
Steamer fails to heat	Steamer not plugged in	Plug in to electrical outlet
	Auto shut off engaged	check water container is not empty. Reset ON/OFF switch.
No steam	water level is low	Turn ON/OFF switch OFF and refill water container
Water drips from nozzle	Condensation in hose	Hold the hose vertical and allow water to drain back to tank
Nozzle gurgles	condensation in hose	Hold the hose vertical and allow water to drain back to tank
Steam is intermittent	sediment in container	Follow the removing mineral buildup procedure

Note: Water chemicals and conditions will vary in different areas. To insure continued operation of the steamer, never store without cleaning and removing excess water from the reservoir and water container.

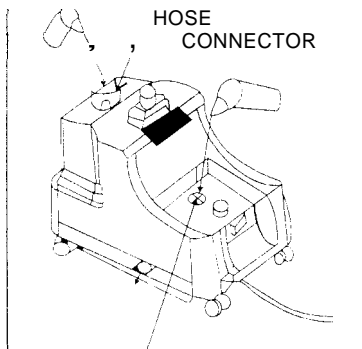
Removing Mineral Buildup

One common problem with steamers is mineral buildup caused by the high mineral content in many municipal water supplies. Mineral residue inside of the internal pipes and heater can cause intermittent steaming or in severe cases no steaming at all.

The best way to avoid this is to use de-mineralized or distilled water in the unit. The procedure below can be used to clear mineral buildup. If you are unable to use de-mineralized or distilled water we recommend you use this procedure monthly to help avoid mineral buildup.

1. Turn the unit off and unplug the power cord.
2. Unscrew and remove the hose from the hose connector on the top of the unit.
3. Remove the pole from the unit.
4. Remove the water tank from the main unit and drain any water in the unit.
5. Make a mixture of 50% vinegar and 50% water. In most cases 1 cup of this mixture will be sufficient.
6. Slowly pour the water-vinegar mixture into the hose connector.
 - a. If the internal piping is only partially blocked by mineral buildup, the water-vinegar mixture will soon start flowing out of the water intake hole. If this happens proceed to step 8.
 - b. If the internal piping is completely blocked, continue to pour the mixture into the hose connector till full.
7. Pour the water-vinegar mixture into the water intake hole until full.
8. Let stand for 40 minutes.
9. Drain the water using the drain plug.
10. Pour clean water through the hose base and water intake hole until the vinegar smell dissipates.
11. Reassemble the unit and operate normally.

If the procedure above does not return the unit to normal operation, the unit may need servicing.



Water intake hole

Free Manuals Download Website

<http://myh66.com>

<http://usermanuals.us>

<http://www.somanuals.com>

<http://www.4manuals.cc>

<http://www.manual-lib.com>

<http://www.404manual.com>

<http://www.luxmanual.com>

<http://aubethermostatmanual.com>

Golf course search by state

<http://golfingnear.com>

Email search by domain

<http://emailbydomain.com>

Auto manuals search

<http://auto.somanuals.com>

TV manuals search

<http://tv.somanuals.com>