



**Model CF-952**

**Bagless Cyclonic Vacuum**



**by Top Innovations, Inc.**

**PLEASE READ INSTRUCTIONS BEFORE USE.  
MAIL IN YOUR WARRANTY REGISTRATION CARD.**



## LETTER FROM THE CEO

Dear Valued Customer,

Congratulations on purchasing your **ThunderVac Bagless Cyclonic Vacuum**. We hope it can make your vacuuming experience faster and more enjoyable.

**Top Innovations, Inc.** takes pride in providing excellent quality products, affordable prices, and outstanding customer support.

We invite you to visit us at [www.topinnovations.com](http://www.topinnovations.com) or call 1-800-711-6617 ext. 102/130. Our customer support team is available to answer any questions you may have about this exciting new product.

Enjoy your **ThunderVac**!

Benny Lee  
Chairman and CEO  
Top Innovations, Inc.

**MODEL CF-952  
THUNDERVAC BAGLESS  
CYCLONIC VACUUM**

1200 WATTS – 10 AMPS  
120 V – 60 HZ  
1.2 L DUST TANK CAPACITY




## IMPORTANT SAFEGUARDS



**WARNING:** To reduce the risk of fire, electrical shock, or injury, the following basic safety precautions should always be followed when using an electrical appliance.

### READ ALL INSTRUCTIONS BEFORE USING YOUR VACCUM

1. DO NOT leave ThunderVac unattended when plugged in. Unplug unit from wall outlet when not in use and/or before servicing.
2. DO NOT use outdoors or on wet surfaces.
3.  **This unit is not a toy.** Close supervision is required when using unit near children, pets, and plants. DO NOT allow to be used by children.
4. Use only as described in this manual. Use only manufacturer's recommended attachments and accessories.
5. DO NOT use with damaged power cord or plug. DO NOT use if unit has been dropped, damaged, left outdoors, or dropped in water.
6. DO NOT pull or carry by power cord, use cord as handle, close cord in doors, or pull cord around sharp edges or corners.
7. DO NOT allow unit to roll over power cord or allow cord to be pinched or crimped in any way. Keep cord away from heated surfaces.
8. DO NOT unplug by pulling or tugging on power cord. To unplug, grasp plug and gently remove from wall outlet.
9. DO NOT handle unit or plug while hands are wet.
10. DO NOT put any object into suction intake opening that might block it. DO NOT use with any opening or air intake area blocked. Keep free of dust, lint, hair, and anything else that may reduce airflow.
11. Keep hair, loose clothing, fingers, and all body parts away from openings and moving parts.
12. DO NOT vacuum anything that is burning or smoking, such as cigarettes, matches, or hot ashes.

**FOR HOUSEHOLD USE ONLY  
SAVE THESE INSTRUCTIONS**



## IMPORTANT SAFEGUARDS



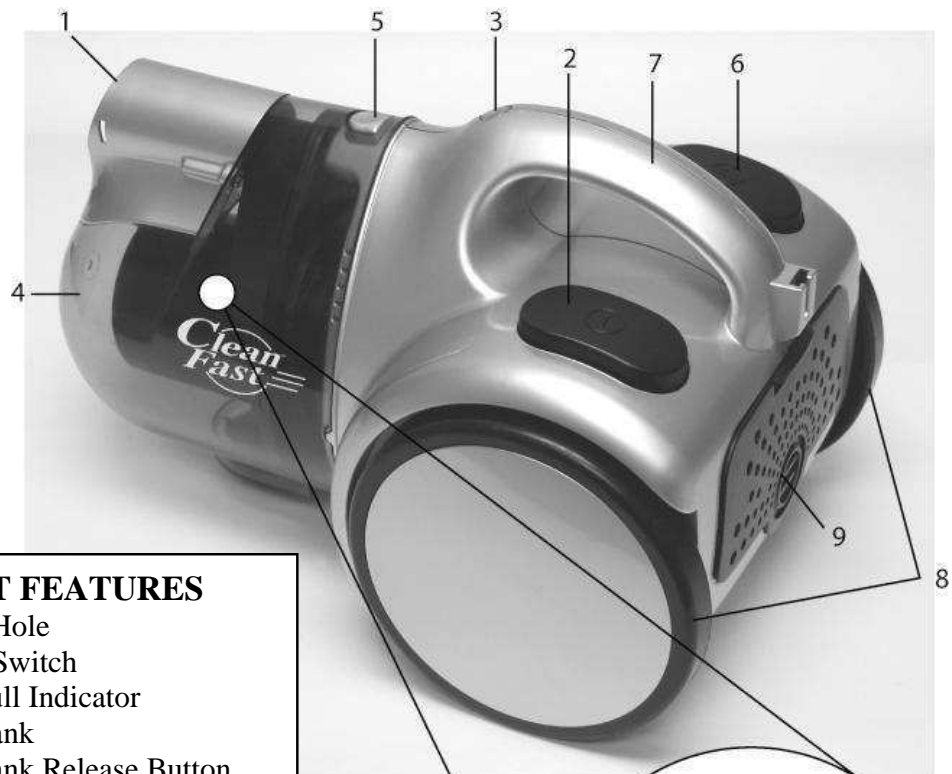
**WARNING:** To reduce the risk of electric shock, this appliance has a polarized plug (one blade is wider than the other). This plug will fit in a polarized wall outlet only one way. If the plug does not fit fully in the outlet, reverse the plug. If it still does not fit, contact a qualified electrician to install a proper outlet. **DO NOT** attempt to modify the plug in any way.

13. Turn Power Switch to “Off” position before unplugging from wall outlet.
14. Use extra care when cleaning on stairs or other uneven surfaces.
15. **DO NOT** use to pick up flammable or combustible fluids such as gasoline, or use in areas where they may be present.
16. Look on your ThunderVac and follow all instructions printed on unit.
17. This unit is designed for pick-up of dry matter. **DO NOT** attempt to vacuum liquids or moist materials of any type as this could create a high-risk situation for electrical shock.
18. Use only extension cords UL or cUL- rated at 15 amperes. Extension cords rated less amperage may overheat. Care should be taken to avoid tripping over cord or pulling cord out from wall outlet.
19. Keep end of hose, wands and other openings away from your face and body.
20. **DO NOT** operate ThunderVac without Dust Tank and all filters in place.
21. Always turn ThunderVac off before connecting or disconnecting vacuum hose.
22. Store ThunderVac and its attachments indoors in a dry location.
23. Using improper voltage may result in damage to motor and possible injury to user. Correct voltage is listed on rating label.
24. Use only on dry, indoor surfaces.
25. **DO NOT** use for any purpose other than described in this user’s guide.
26. If any part of unit or power cord is damaged, immediately discontinue use. **DO NOT** attempt to repair unit yourself. Immediately contact qualified and licensed service personnel.

**FOR HOUSEHOLD USE ONLY  
SAVE THESE INSTRUCTIONS**

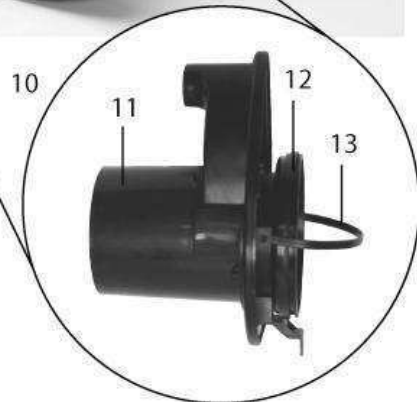


## PRODUCT INFORMATION



### UNIT FEATURES

1. Intake Hole
2. Power Switch
3. Dust Full Indicator
4. Dust Tank
5. Dust Tank Release Button
6. Cord Retraction Button
7. Carrying Handle
8. Rubber Wheels
9. Exhaust Filter Access Door



### ACCESSORIES INCLUDED

14. Hose
15. Floor Brush
16. Extension Wands
17. Upholstery Brush
18. Dust Brush
19. Crevice Tool



## ASSEMBLY GUIDE

### 1. Insert Filter Assembly

Insert Filter Assembly into Dust Tank with Cyclone Cup pointing forward. Smaller cylinder above Cyclone Cup fits into back of Intake Hole. Gently press Filter Assembly forward until it fits snugly and securely inside Dust Tank (**FIGURE 1**).

**NOTE:** For more information on inserting individual filters, see **Inserting Filters** section on page 8 of this manual.

### 2. Connect Dust Tank

Insert large tab on bottom-back of Dust Tank into groove on bottom-front of main unit body. Swing Dust Tank back until it snaps over Dust Tank Release Button and stays securely in place (**FIGURE 2**).

### 3. Connect Hose

Insert Hose into Intake Hole on top of Dust Tank. To accomplish this, press the two buttons on sides of hose end inward (**FIGURE 3**). Then insert Hose into Intake Hole until it clicks into correct position and stays securely in place (**FIGURE 4**). To remove Hose, repeat process and reverse by pulling Hose out from Intake Hole.

### 4. Deploy Power Cord

Grasp plug of power cord firmly and pull out from compartment on back of unit to desired length (15 ft. maximum) (**FIGURE 5**). To retract power cord back into storage compartment, unplug it from wall outlet and press Cord Retraction Button on top of unit. Hold button down until cord is completely retracted (**FIGURE 6**).

**WARNING:** Extend power cord **ONLY** to yellow mark on cord, as this indicates maximum safe length. **DO NOT** extend cord to red warning mark.



FIGURE 1



FIGURE 2



FIGURE 3



FIGURE 4



FIGURE 5



FIGURE 6

### Suction Control

Suction control switch on Hose permits you to reduce suction power, allowing for accessory replacement and/or usage on delicate fabrics.



### Extension Wands and Floor Brush

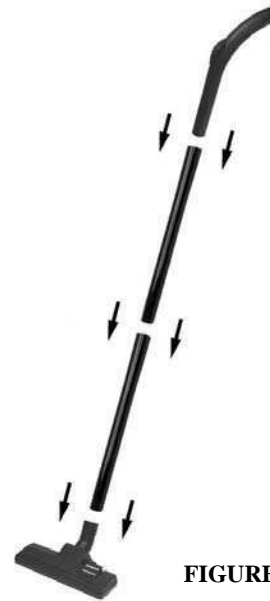
Insert small end of one wand into circular fitting of Floor Brush (**FIGURE 1**), then insert small end of second wand into larger end of first wand. Finally, insert Hose handle into larger end of second wand (**FIGURE 2**).



**FIGURE 1**

Press lever into position (A) for cleaning carpets.

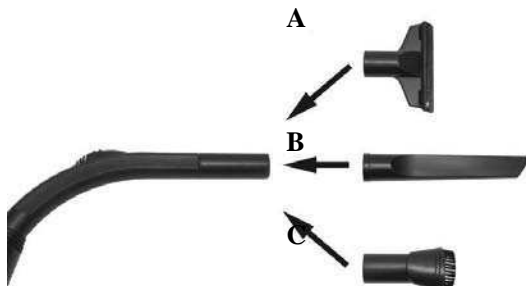
Press lever into position (B) for cleaning hard surface floors.



**FIGURE 2**

### Connecting and Using Accessories

Slip circular end of desired accessory onto Hose handle and twist slightly to ensure properly seated. If additional reach is required, attach one or both Extension Wands onto Hose handle.



#### Upholstery Brush (A)

For curtains, draperies, cushions, and other fabrics.

#### Crevice Tool (B)

For crevices, corners, baseboards, and between cushions.

#### Dust Brush (C)

For furniture, lamps, ceiling fans, and fixtures.

Your ThunderVac utilizes three filters that work together to prevent dust and other particles from escaping the vacuum and re-entering the air.

1. **ULTRA Filter** – traps over 92.4% of air impurities. Located inside Cyclone Cup
2. **Charcoal Filter** – reduces odors during cleaning process. Located behind Filter Assembly.
3. **Exhaust Filter** – located in rear compartment of unit.

## INSERTING FILTERS

1. Place ULTRA Filter inside Cyclone Cup. Slide over the end of smaller cylinder inside Cyclone Cup (FIGURE 1).



FIGURE 1

2. Place Charcoal Filter inside Filter Disc, with softer side facing out. Filter Disc then fits into the back of Filter Assembly, with exposed side of filter placed against Filter Assembly (FIGURE 2).



FIGURE 2

3. Open Exhaust Filter Access Door on back of main unit by pressing down on top tab and pulling outwards. Place filter into rectangular hole inside compartment (with grated side of filter facing out). Reattach Access Door (FIGURE 3).

## REMOVING FILTERS

To remove filters, simply reverse steps listed above. This is useful for cleaning filters or replacing them with new ones. See **Cleaning Filters** section on page 9 for more information. **DO NOT place a recently cleaned filter back into the unit until it is completely dry.**

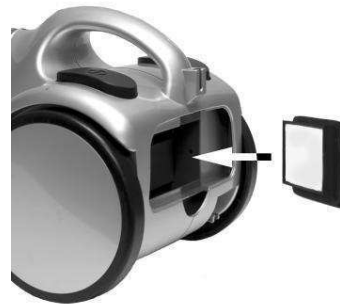


FIGURE 3



### EMPTYING DUST TANK

When Dust Full Indicator light activates, the Dust Tank needs to be emptied. The following steps should be taken:

1. Turn ThunderVac off and unplug from wall outlet.
2. Disconnect Hose from Intake Hole.
3. Remove Dust Tank by pushing Dust Tank Release Button (**FIGURE 1**).
4. Remove Filter Assembly by grasping and pulling Handle (**FIGURE 2**).
5. Empty Dust Tank into trashcan or other receptacle (**FIGURE 3**).
6. Insert Filter Assembly back into Dust Tank.
7. Reattach Dust Tank to main unit body.



FIGURE 1



FIGURE 2



FIGURE 3

### CLEANING AND REPLACING FILTERS

To prolong the effective life of the three filters and maintain maximum performance of unit, it is recommended that you clean these filters regularly. To do this, run them under cool or lukewarm water and thoroughly rinse them out. **DO NOT use hot water to rinse the filters.**

**IMPORTANT:** Allow all filters to dry COMPLETELY before placing them back in unit to avoid moisture damage.

- RINSE ONLY; do not place filters in washing machine or dishwasher.
- AIR DRY ONLY; do not dry using hair dryer or other appliance.

### REPLACING FILTERS

We recommend replacing filters every 4-6 months, depending on usage. For more information on obtaining replacement filters and other accessories, refer to the Accessory Order Form insert included in this manual.



# TROUBLESHOOTING GUIDE

PROBLEM	POSSIBLE REASONS	POSSIBLE SOLUTIONS
ThunderVac will not operate.	<ul style="list-style-type: none"> <li>- Power cord may not be firmly plugged into outlet.</li> <li>- No power coming from outlet.</li> <li>- Unit may be in need of service.</li> </ul>	<ul style="list-style-type: none"> <li>- Firmly replace power cord into wall outlet.</li> <li>- Check fuse or breaker. Please note they may need replacement.</li> <li>- Contact qualified and licensed service personnel.</li> </ul>
ThunderVac has no suction or very weak suction.	<ul style="list-style-type: none"> <li>- Dust Tank is improperly installed.</li> <li>- Dust Tank is full.</li> <li>- One or more filters are clogged.</li> <li>- Hose or nozzle passage is clogged.</li> </ul>	<ul style="list-style-type: none"> <li>- Replace Dust Tank so that it firmly snaps into place.</li> <li>- Empty Dust Tank.</li> <li>- Clean and rinse filter/filters with cool or lukewarm water, or replace filters*.</li> <li>- Turn unit off and unplug from wall outlet. Check for possible obstruction in Intake Hole and/or accessories.</li> </ul>
Dust escapes from ThunderVac.	<ul style="list-style-type: none"> <li>- Dust Tank improperly installed.</li> <li>- Dust Tank is full.</li> <li>- Hose improperly installed.</li> </ul>	<ul style="list-style-type: none"> <li>- Replace Dust Tank so that it firmly snaps into place.</li> <li>- Empty Dust Tank.</li> <li>- Review instructions for proper Hose attachment.</li> </ul>
Flexible Hose and accessories do not lift dust.	<ul style="list-style-type: none"> <li>- Dust Tank is full.</li> <li>- One or more filters are clogged.</li> <li>- Hose or Intake Hole is clogged.</li> </ul>	<ul style="list-style-type: none"> <li>- Empty Dust Tank.</li> <li>- Clean and rinse filter/filters with cool or lukewarm water, or replace filters*.</li> <li>- Turn unit off and unplug from wall outlet. Check for possible obstruction in Intake Hole and/or accessories.</li> </ul>

\* See ordering insert included with this manual for information on obtaining replacement filters.

**BEFORE RETURNING ANY PRODUCT THAT IS DEFECTIVE:**

1. Read all instructions in this manual.
2. Read Troubleshooting Guide above.
3. Contact our Customer Service at (800) 711-6617 ext. 102/130

**NOTE:** To ensure prompt and accurate service, call for a Return Authorization Number before returning any unit to Top Innovations, Inc. Failure to obtain a Return Authorization Number will cause a delay in both warranty and out-of-warranty service requests.



## WARRANTY INFORMATION

### ONE YEAR LIMITED WARRANTY

(If outside USA, additional shipping charges may apply)

Top Innovations, Inc. warrants this product to be free from defects in material and workmanship for a period of one (1) year from the date of purchase. This warranty does not cover damage caused by misuse, negligence, use by improper current or voltage, use contrary to operating instructions or disassembly, repair or alteration by any person other than Top Innovations, Inc. Warranty Service Department.

Top Innovations, Inc. will repair or replace, at its option. This warranty gives you specific legal rights and may have other rights, which may vary from state to state.

Performance of any obligation under this warranty may be obtained by:

1. Calling (800) 711-6617 for Return Authorization Number before returning for repair. Failure to obtain a Return Authorization Number will cause a delay in warranty or out-of-warranty service requests.
2. Including copy of purchase receipt.
3. Including your name, address, telephone number, and Return Authorization Number on returned package.

Please send product postage prepaid to:

TOP INNOVATIONS, INC.  
WARRANTY SERVICE DEPARTMENT  
400 NW PLATTE VALLEY DR.  
RIVERSIDE, MO 64150

Should there be any missing or defective parts or accessories, please contact Customer Support. In most cases, it is not necessary to return the entire unit. We can ship most parts directly to your door.

Upon expiration of 1 year limited warranty, you will be advised of the repair cost before any services are performed. However, you may enclose a note indicating that you would like us to proceed with repairs without first notifying you.

If you have any questions about coverage under this warranty, you may contact warranty service department by telephone at (800) 711-6617 ext. 102 or 130 or e-mail [customerservice@topinnovations.com](mailto:customerservice@topinnovations.com)



**Top Innovations, Inc.**

400 NW Platte Valley Dr.

Riverside, MO 64150

Tel: (800) 711-6617

[www.topinnovations.com](http://www.topinnovations.com)

[customerservice@topinnovations.com](mailto:customerservice@topinnovations.com)



Printed In China

V040322

## Free Manuals Download Website

<http://myh66.com>

<http://usermanuals.us>

<http://www.somanuals.com>

<http://www.4manuals.cc>

<http://www.manual-lib.com>

<http://www.404manual.com>

<http://www.luxmanual.com>

<http://aubethermostatmanual.com>

Golf course search by state

<http://golfingnear.com>

Email search by domain

<http://emailbydomain.com>

Auto manuals search

<http://auto.somanuals.com>

TV manuals search

<http://tv.somanuals.com>